

MODEL : HZL-X Series

List No : 6037-01

# PARTS LIST

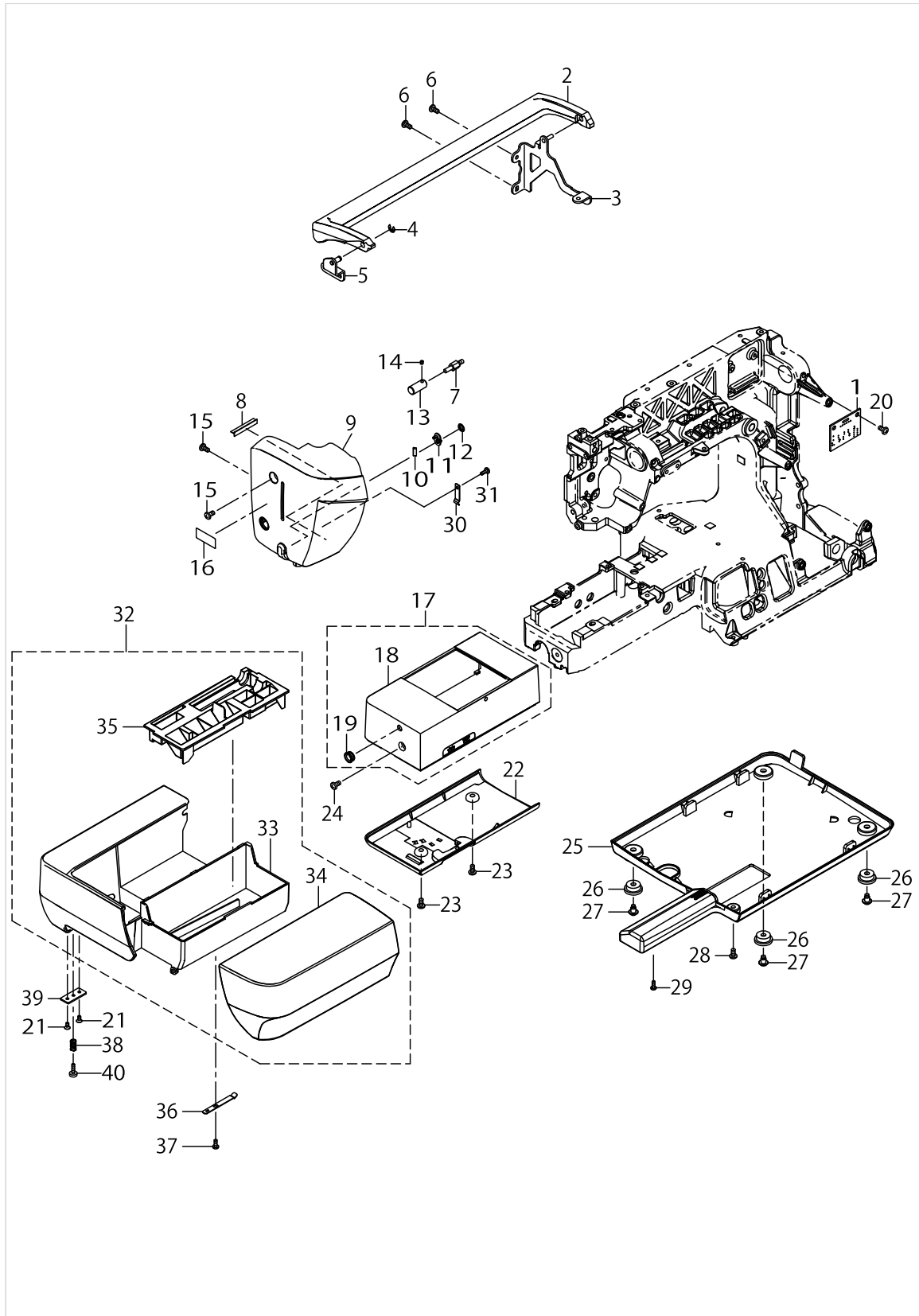
Published:09/10/2017

## CONTENTS

---

FRAME MISCELLANEOUS COVER COMPONENTS (1).....	1
FRAME MISCELLANEOUS COVER COMPONENTS (2).....	3
THROAT PLATE COMPONENTS.....	7
UPPER SHAFT & TAKE UP COMPONENTS.....	9
NEEDLE BAR & NEEDLE THREADER COMPONENTS.....	11
PRESSER MECHANISM & NEEDLE THROWING COMPONENTS.....	15
HAND LIFTER COMPONENTS.....	19
FEED MECHANISM COMPONENTS.....	21
LOWER SHAFT & HOOK COMPONENTS.....	25
THREAD TRIMMER COMPONENTS.....	27
THREAD TENSION COMPONENTS.....	31
BOBBIN WINDER COMPONENTS.....	35
KNEE LIFTER COMPONENTS.....	37
POWER SUPPLY & MAIN MOTOR COMPONENTS.....	39
ACCESSORY PARTS COMPONENTS (1).....	41
ACCESSORY PARTS COMPONENTS (2).....	45
PACKING MATERIAL COMPONENTS.....	47
OPTIONAL ACCESSORY PARTS COMPONENTS.....	49
HOW TO MAKE USE OF THIS PARTS LIST.....	51

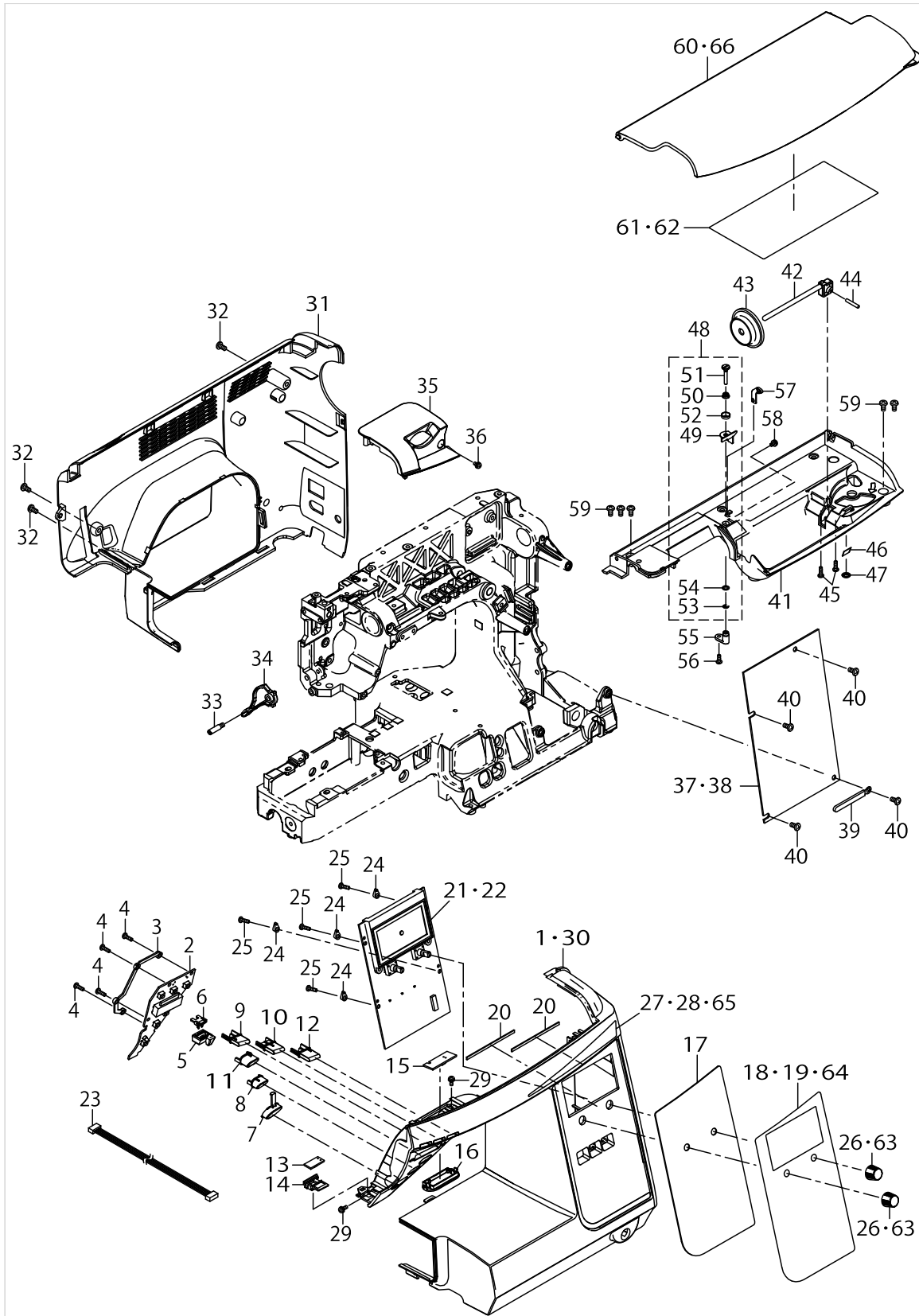
FRAME MISCELLANEOUS COVER COMPONENTS (1)



FRAME MISCELLANEOUS COVER COMPONENTS (1)

No.	Parts No.	Parts name	Remarks	Level	Cons	Qty
1	40056554	ASSY_SYNC_CIRCUIT_BOARD				1
2	40059249	HANDLE				1
3	40107895	HANDLE_BRACKET_ASSY				1
4	RE0400000K0	E-RING 4				1
5	40062500	HANDLE_BRACKET_L_ASSY				1
6	SM5040855SN	SCREW				2
7	40065563	FACE_COVER_GUIDE_SHAFT				1
8	40160146	PILE_C				1
9	40162299	FACE_COVER				1
10	40160147	CUTTER_BLADE				1
11	40072395	CUTTER HOLDER				1
12	A3205555A00	LOCKNUT				1
13	40070239	FACE_COVER_COLLAR				1
14	SM8030312TP	SCREW M3 L=3				1
15	SM5040855SN	SCREW				2
16	40152349	BH_SOCKET_CAUTION_LABEL				1
17	40162341	FREE_ARM_UPPER_COVER_ASSY				1
18	40162367	FREE_ARM_UPPER_COVER		*		1
19	40162342	FREE_ARM_RUBBER		*		1
20	SM5040855SN	SCREW				1
21	SM1030601SN	SCREW M3X0.5 L=6				1
22	40053685	FREE_ARM_LOWER_COVER				1
23	SM5040855SN	SCREW				2
24	SM5040855SN	SCREW				2
25	40059215	BED_COVER_FOREIGN				1
26	40057990	RUBBER_WASHER				3
27	40057922	RUBBER_WASHER_SCREW				3
28	SM5040855SN	SCREW				1
29	ST5030851SN	SCREW M3X8				1
30	40163691	NEEDLE_G_FIX_PLATE				1
31	ST5031251SF	TAPPING SCREW D=3 L=12				1
32	40162336	ASSY_AUXILIARY_BED				1
33	40053683	AUXILIARY_BED		*		1
34	40162337	AUXILIARY_BED_COVER		*		1
35	40059209	ACCESSORY_TRAY		*		1
36	40162339	AUXILIARY_BED_CLICK_SPRING				1
37	ST5030851SN	SCREW M3X8				1
38	40166174	HEIGHT_ADJUSTING_SPLING				1
39	40163692	HEIGHT_ADJUSTING_BRACKET				1
40	40163693	HEIGHT_ADJUSTING_RUBBER				1
41	40172321	BED_REINFORCING_PLATE	FOR DX3			1
42	A1159770000	HEIGHT ADJUSTING SPRING	FOR DX3			2
43	40057991	HEIGHT_ADJUSTING_RUBBER	FOR DX3			2
44	SM5040855SN	SCREW	FOR DX3			2

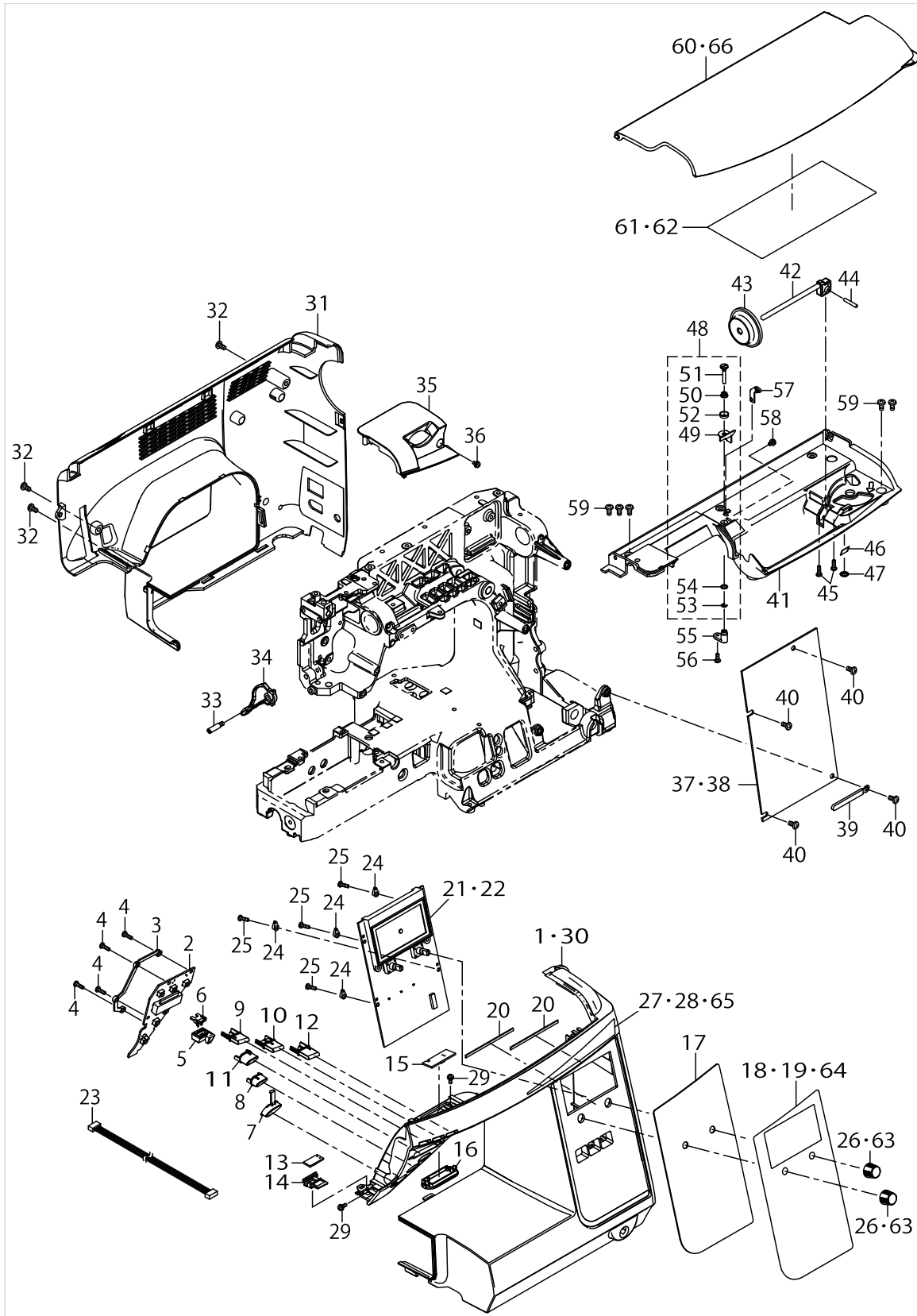
FRAME MISCELLANEOUS COVER COMPONENTS (2)



FRAME MISCELLANEOUS COVER COMPONENTS (2)

No.	Parts No.	Parts name	Remarks	Level	Cons	Qty
1	40162294	FRONT_PANEL_F_DX7	FOR DX7,DX-2000QVP			1
2	40163152	ASSY_SW/VR_CIRCUIT_BOARD				1
3	40162324	FRONT_PCB_COLLOR				1
4	ST5031251SF	TAPPING SCREW D=3 L=12				4
5	40162317	SLIDE_VR				1
6	A1146E50000	SLIDE_VR_CONNECT_PART				1
7	40162305	SS_BUTTON				1
8	40162308	REVERSE_BUTTON				1
9	40162314	THREAD_TRIMMER_BUTTON				1
10	40162315	HALF_STITCH_BUTTON				1
11	40162311	BALL_END_BUTTON				1
12	40162316	PRESSER_BUTTON				1
13	40137570	ASSY_ON_HAND_LED_CIRCUIT_BOARD_1				1
14	40162328	LED_LAMP_COVER_R				1
15	40135933	ASSY_BOSOM_LED_CIRCUIT_BOARD	FOR DX7,DX-2000QVP			1
16	40059168	BOSM_LED_COVER	FOR DX7,DX-2000QVP			1
17	40163170	TOUCH_SWITCH_SHEET				1
18	40162318	PATTERN_P_PLATE_DX7	FOR DX7			1
19	40162321	PATTERN_P_PLATE_DX5	FOR DX5			1
20	40091946	LCD_CUSHION				2
21	40163171	ASSY_PANEL_BOARD_DX7	FOR DX7,DX-2000QVP			1
22	40163172	ASSY_PANEL_BOARD_DX5	FOR DX5,DX3			1
23	40163190	ASSY_CPU-PANEL_I/F_CABLE				1
24	40162325	PANEL_PCB_COLLOR				4
25	ST5031051SN	TAPPING SCREW				4
26	40084595	ADJUSTING_DIAL	FOR DX7			2
27	40162347	EMBLEM_DX7_F	FOR DX7			1
28	40162349	EMBLEM_DX5_F	FOR DX5			1
29	SL4030891SC	SCREW M3 L=8				2
30	40162295	FRONT_PANEL_F_DX5	FOR DX5			1
31	40162369	ASSY_REAR_PANEL_FOREIGN				1
32	SM5040855SN	SCREW				3
33	40070284	LIFTER_LEVER_SHAFT				1
34	40055401	LIFTER_LEVER				1
35	40059245	TT_COVER_FOREIGN				1
36	SL4030691SC	SCREW M3 L=6				1
37	40163202	ALL_ASSY_CPU_PCB_DX7	FOR DX7,DX-2000QVP			1
38	40163203	ALL_ASSY_CPU_PCB_DX5	FOR DX5			1
39	A3811550000	CORD HOLDER				2
40	SM5040855SN	SCREW				4
41	40059240	SPOOL_COVER				1
42	40058088	SPOOL_PIN				1
43	A1145E50000	SPOOL_CAP				1
44	PH0300182C0	PARALLEL PIN TYPE B 3X18				1
45	ST5031051SN	TAPPING SCREW				2
46	40160147	CUTTER_BLADE				1
47	A3205555A00	LOCKNUT				1

FRAME MISCELLANEOUS COVER COMPONENTS (2)

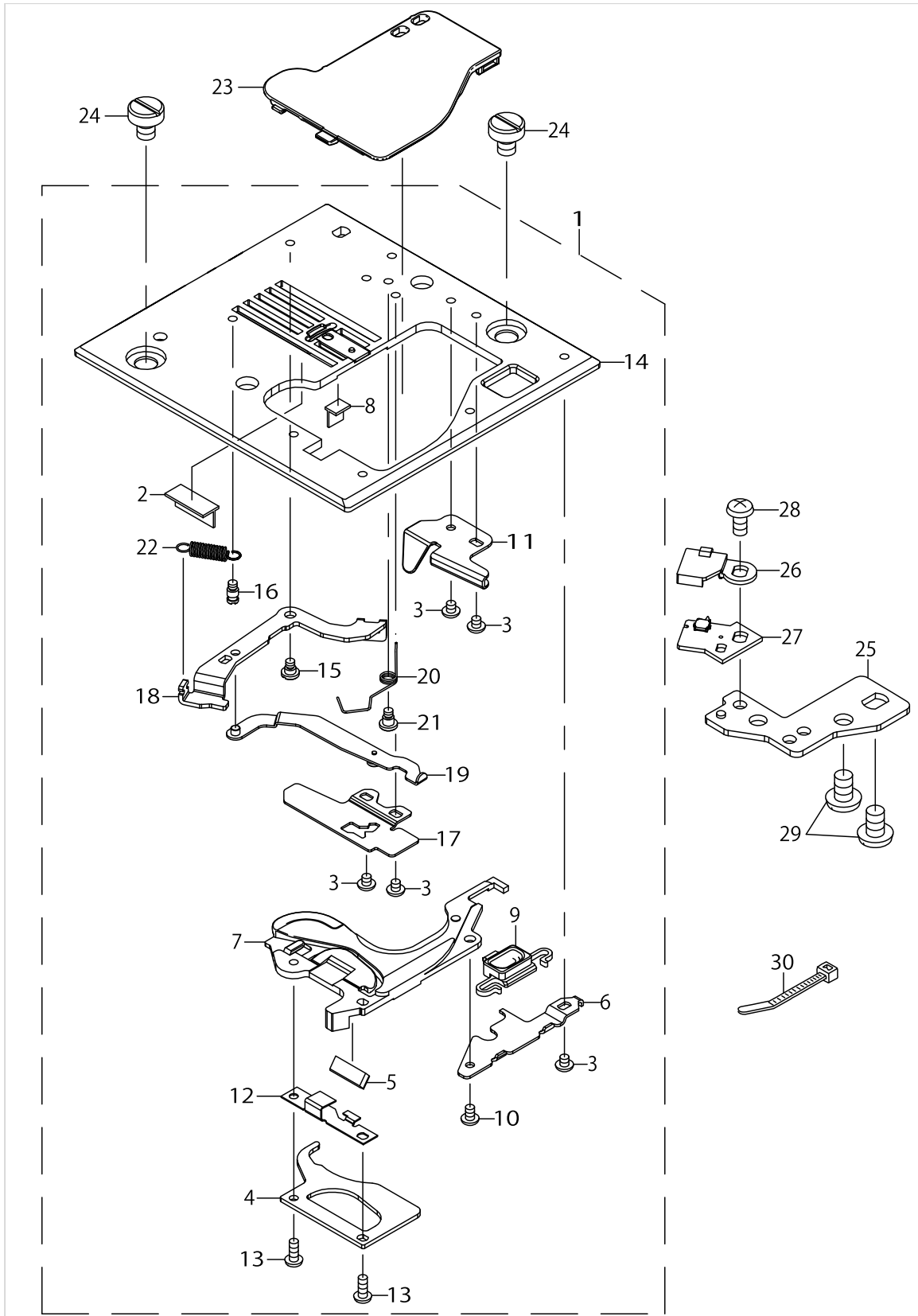


FRAME MISCELLANEOUS COVER COMPONENTS (2)

No.	Parts No.	Parts name	Remarks	Level	Cons	Qty
48	40064572	ASSY_THREAD_GUIDE_BASE				1
49	40062034	THREAD_GUIDE_BASE		*		1
50	A3234550000	THREAD GUIDE BASE SPRING		*		1
51	A3235030Z00A	THREAD GUIDE DISK SHAFT		*		1
52	A3233731000	THREAD GUIDE DISK		*		1
53	A3236880000	E RING		*		1
54	A3237880000	WASHER		*		1
55	A1139030Z00	THREAD GUIDE MOUNTING PLATE				1
56	ST5031051SN	TAPPING SCREW				1
57	40057397	BW_THREAD_GUIDE				1
58	SL4030691SC	SCREW M3 L=6				1
59	SM5040855SN	SCREW				5
60	40059244	ARM_COVER_MATERIAL	FOR DX5,DX7,DX3			1
61	40162363	PATTERN_SEAL_DX7_F	FOR DX7,DX-2000QVP			1
62	40162365	PATTERN_SEAL_DX5_F	FOR DX5			1
63	40107462	ADJUSTING_DIAL_F550J	FOR DX-2000QVP			2
64	40166868	PATTERN_P_PLATE_DX2000QVP	FOR DX-2000QVP			1
65	40166752	EMBLEM_DX2000QVP	FOR DX-2000QVP			1
66	40166304	ARM_COVER_DX2000QVP	FOR DX-2000QVP			1
67	40176891	FRONT_PANEL_DX3	FOR DX3			1
68	40176893	PATTERN_PANEL_DX3	FOR DX3			1
69	40176895	EMBLEM_DX3	FOR DX3			1
70	40176897	PATTERN_SEAL_DX3	FOR DX3			1
71	40176901	ALL_ASSY_CPU_PCB_DX3	FOR DX3			1



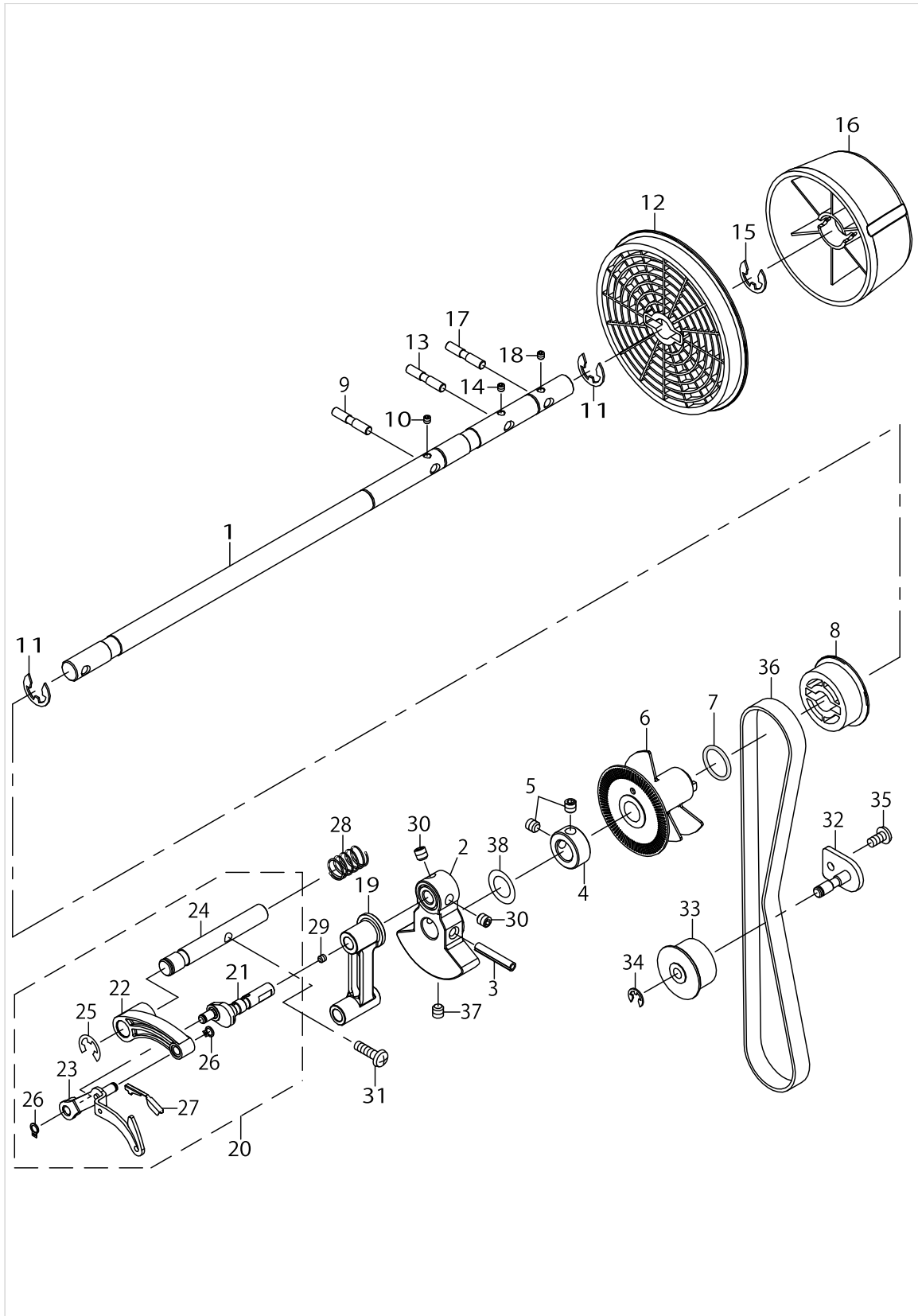
THROAT PLATE COMPONENTS



THROAT PLATE COMPONENTS

No.	Parts No.	Parts name	Remarks	Level	Cons	Qty
1	40163698	ASSY_THROAT_PLATE				1
2	40160146	PILE_C		*		1
3	SM4020201SC	SCREW M2 L=2		*		5
4	40057150	STOPPING_PLATE_LEFT		*		1
5	40160147	CUTTER_BLADE		*		1
6	A1119010000	HOOK COVER BUTTON SUPPORT		*		1
7	40162912	BOBBIN CASE COVER		*		1
8	40160143	PILE_A		*		1
9	A1114010000A	HOOK COVER OPEN/CLOSE BUTTON		*		1
10	SM4020301SC	SCREW M2X0.4 L=3		*		1
11	40065631	HOOK_COVER_SUPPORT_PLATE		*		1
12	A1111A85000	SPRING		*		1
13	SM5020501SC	SCREW M2 L=5		*		2
14	40171601	THROAT_PLATE_ASSY		*		1
15	40163758	SHIFT_ARM_SCREW		*		1
16	40163759	SPRING_STUD		*		1
17	40171604	LEVER_HOLDER		*		1
18	40171605	SHIFT_ARM		*		1
19	40163751	LEVER_ASSY		*		1
20	40164580	LEVER_SPRING		*		1
21	40164579	LEVER_SPRING_SCREW		*		1
22	40163756	SHIFT_ARM_SPRING		*		1
23	WP0260116RZ	WASHER 2.6X4.7X0.13		*		1
24	A1138335000	THROAT PLATE SETSCREW				2
25	40163885	SWITCH_BASE				1
26	40163886	SWITCH_COVER				1
27	40163183	ASSY_SLIDE_PLATE_SENSOR_CIRCUIT_BOARD				1
28	SM5030655SN	SCREW M3 L=6				1
29	SM5040655SN	SCREW				2
30	40166324	BAND_SMALL				1
31	40163748	HOOK_COVER				1

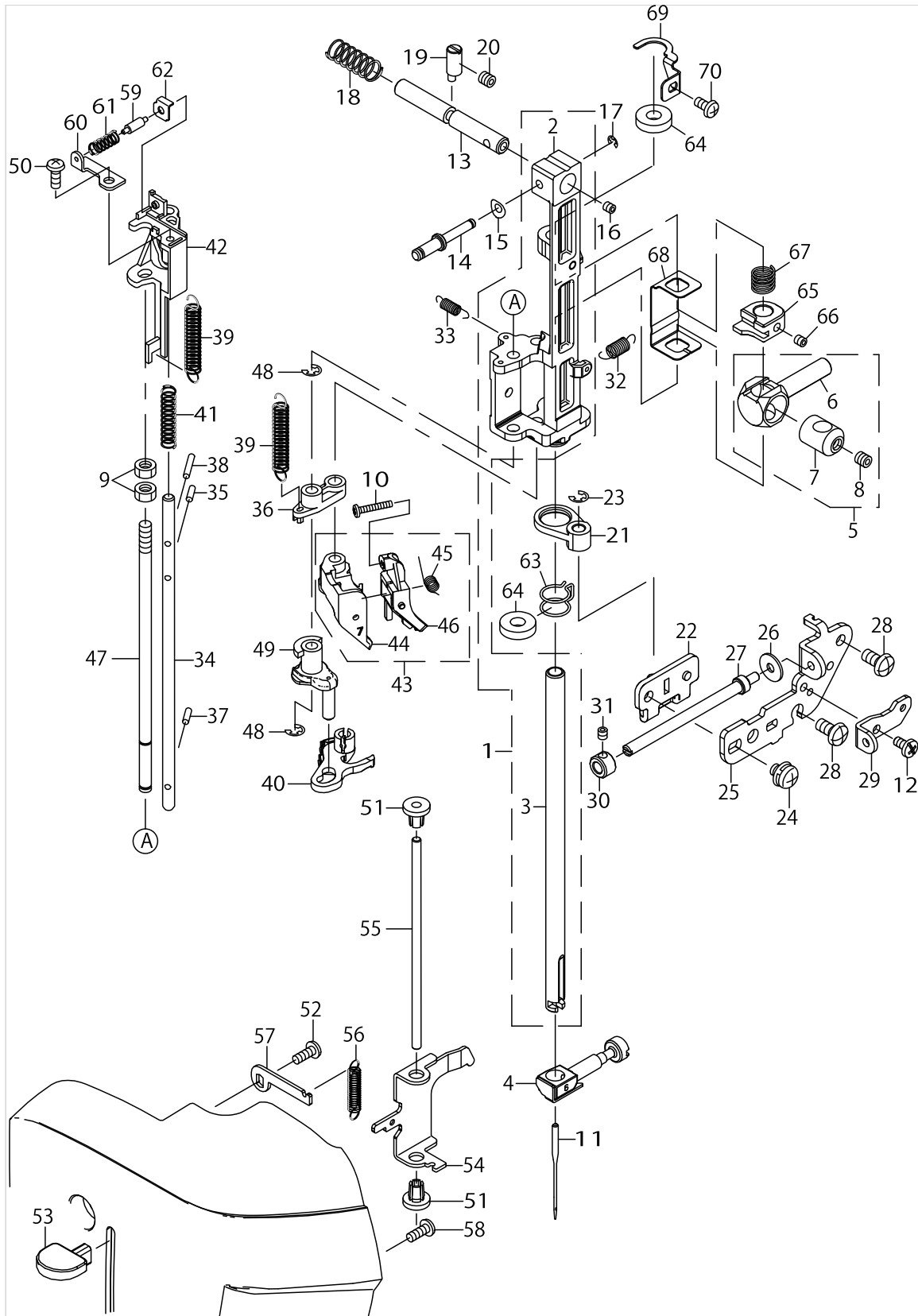
UPPER SHAFT & TAKE UP COMPONENTS



UPPER SHAFT & TAKE UP COMPONENTS

No.	Parts No.	Parts name	Remarks	Level	Cons	Qty
1	40107901	UPPER_SHAFT				1
2	40163619	COUNTER_WEIGHT				1
3	PS0400222KP	SPRING PIN TYPE W 4X22				1
4	CS1000881TP	THRUST COLLAR D=10 W=8				1
5	SM8050512TP	SCREW				2
6	40053493	DETECTOR_SHIELD_PLATE				1
7	RO133170100	O-RING				1
8	40055825	UPPER_SHAFT_PULLEY				1
9	40053469	MOTOR_PULLEY_PIN				1
10	SM8030312TP	SCREW M3 L=3				1
11	RE0800000K0	E-SHAPED SNAP RING (8MM)				2
12	40057983	MOTOR_PULLEY				1
13	40053469	MOTOR_PULLEY_PIN				1
14	SM8030312TP	SCREW M3 L=3				1
15	RE0800000K0	E-SHAPED SNAP RING (8MM)				1
16	40053486	HAND_WHEEL				1
17	40053469	MOTOR_PULLEY_PIN				1
18	SM8030312TP	SCREW M3 L=3				1
19	40163906	NEEDLE_BAR_CRANK_ROD				1
20	40057187	TAKE_UP_ASSY				1
21	40057188	NEEDLE_BAR_CRANK		*		1
22	40057189	TAKE_UP_CRANK		*		1
23	40057190	TAKE_UP_BODY_ASSY		*		1
24	40164903	TAKE_UP_SUPPORT_SHAFT		*		1
25	RE0600000K0	E-RING 6		*		1
26	RC0370411KP	C-RING 4 (3.7)		*		2
27	40062518	TAKE_UP_CLICK		*		1
28	40057355	SUPPORT_SHAFT_SPRING				1
29	SM8030312TP	SCREW M3 L=3				1
30	SM8050512TP	SCREW				2
31	SM5041455SN	SCREW				1
32	40053479	IDLER_BRACKET_ASSY				1
33	40056861	IDLER				1
34	RE0400000K0	E-RING 4				1
35	SM5040855SN	SCREW				1
36	40057384	TIMING_BELT				1
37	SM8050512TP	SCREW				1
38	A1223010000	SPRING WASHER				1

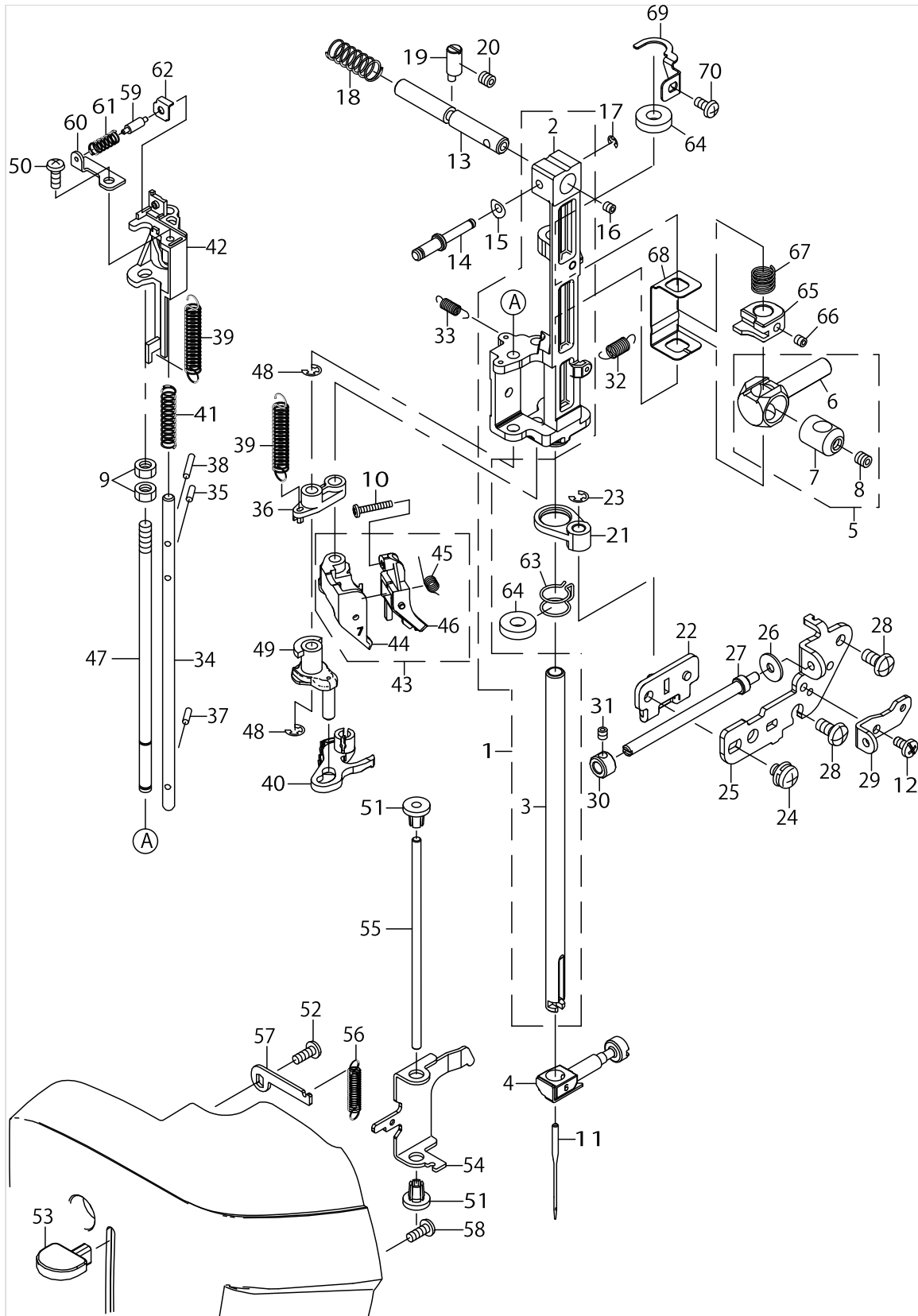
# NEEDLE BAR & NEEDLE THREADER COMPONENTS



NEEDLE BAR & NEEDLE THREADER COMPONENTS

No.	Parts No.	Parts name	Remarks	Level	Cons	Qty
1	40164851	ASSY_NEEDLE_BAR_FRAME				1
2	40163764	NEEDLE_BAR_FRAME_X		*		1
3	40164853	ASSY_NEEDLE_BER		*		1
4	40121860	ASSY_NEEDLE_CLAMP_F				1
5	40163699	ASSY_NEEDLE_BAR_CONNECTION				1
6	40163760	NEEDLE_BAR_CONNECTION		*		1
7	40163761	NEEDLE_BAR_CONNECTION_INSIDE		*		1
8	SM8040412TP	SCREW M4X4		*		1
9	NM6040002SF	NUT M4X0.7 TYPE2				2
10	SM5020855SN	SCREW M2 L=8				1
11	MHA100B1400	NEEDLE HAX1 #14				1
12	SM5030655SN	SCREW				2
13	40053497	NEEDLE_BAR_FRAME_SHAFT				1
14	40053498	NB_FRAME_FULCRUM_SHAFT				1
15	WZ0320290UZ	BEND WASHER 3.2X6.5X0.15				1
16	SM8030312TP	SCREW M3 L=3				1
17	RE0200000K0	E-RING 2				1
18	40056970	NB_FRAME_SHAFT_SPRING				1
19	A1427010000A	NB FRAME ADJUST SHAFT				1
20	SM8040412TP	SCREW M4X4				1
21	40053516	NB_FRAME_CONTROL_ARM				1
22	40053517	NB_LATERAL_ADJUST_PLATE_ASSY				1
23	RE0300000K0	E-RING 3				1
24	SL4040691SC	SCREW M4 L=6				1
25	40162326	FACE_PLATE_FIXING_PLATE				1
26	WP0330816SF	WASHER 3.25X10X0.8				1
27	40062407	FACE_COVER_SHAFT				1
28	SM5040855SN	SCREW				2
29	40162327	FRONT_PANEL_FIXING_PLATE				1
30	40161206	SPEED_SHAFT_COLLAR				1
31	SM8030312TP	SCREW M3 L=3				1
32	40056945	NEEDLE_BAR_FRAME_SPRING				1
33	40160743	NEEDLE_BAR_FRAME_SPRING_L				1
34	40098262	TP_SHAFT				1
35	A1458A85000	TP SHAFT PIN SMALL				1
36	40108612	LINK_BASE				1
37	A1458A85000	TP SHAFT PIN SMALL				1
38	40055811	TP_SHAFT_PIN_L				1
39	40055812	TP_CAM_SPRING				2
40	40055813	TP_HOOK HOLDER_ASSY				1
41	40055827	TP_SHAFT_SPRING				1
42	40098264	TP_CAM				1
43	40108609	ASSY_ASSIST_HOOK				1
44	40108610	ASSIST_HOOK		*		1
45	40055828	CLIP_SPRING		*		1
46	40051255	TENSION_CLIP		*		1
47	40098263	GUIDE_SHAFT				1

# NEEDLE BAR & NEEDLE THREADER COMPONENTS

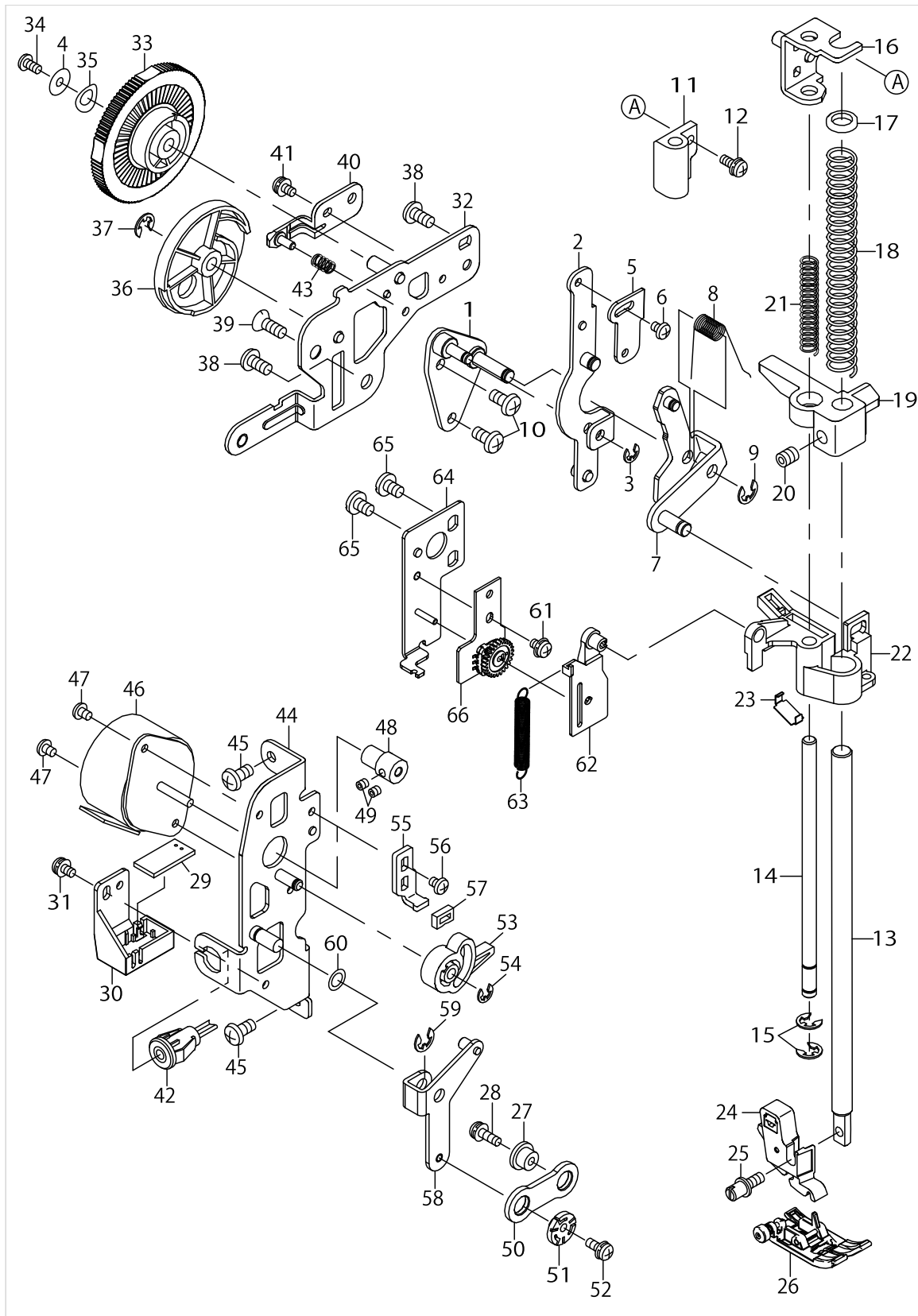


NEEDLE BAR & NEEDLE THREADER COMPONENTS

No.	Parts No.	Parts name	Remarks	Level	Cons	Qty
48	RE030000K0	E-RING 3				2
49	40108611	DRIVING_GEAR				1
50	ST5030851SN	SCREW M3X8				1
51	40079178	TP_LEVER_BUSH				2
52	ST5030851SN	SCREW M3X8				1
53	40055821	TP_HANDLE				1
54	40098265	TP_LEVER				1
55	40055822	TP_LEVER_SHAFT				1
56	40055823	TP_LEVER_SPRING				1
57	40055824	TP_LEVER_SUPPORT				1
58	ST5030851SN	SCREW M3X8				1
59	40098266	TP_CLICK_SHAFT				1
60	40098267	TP_CLICK_BASE				1
61	40098268	TP_CLICK_SPRING				1
62	40098269	TP_CLICK_PLATE				1
63	40163779	FELT_GUIDE_L				1
64	A1448010000	FELT				2
65	40055819	TP_NEEDLE_BAR_GUIDE				1
66	SM8030312TP	SCREW M3 L=3				1
67	40163762	NB_CONNECTION_SPRING				1
68	40163763	CONNECTION_GUIDE				1
69	40163778	FELT_GUIDE_U				1
70	SM5030655SN	SCREW M3X0.5 L=6				1



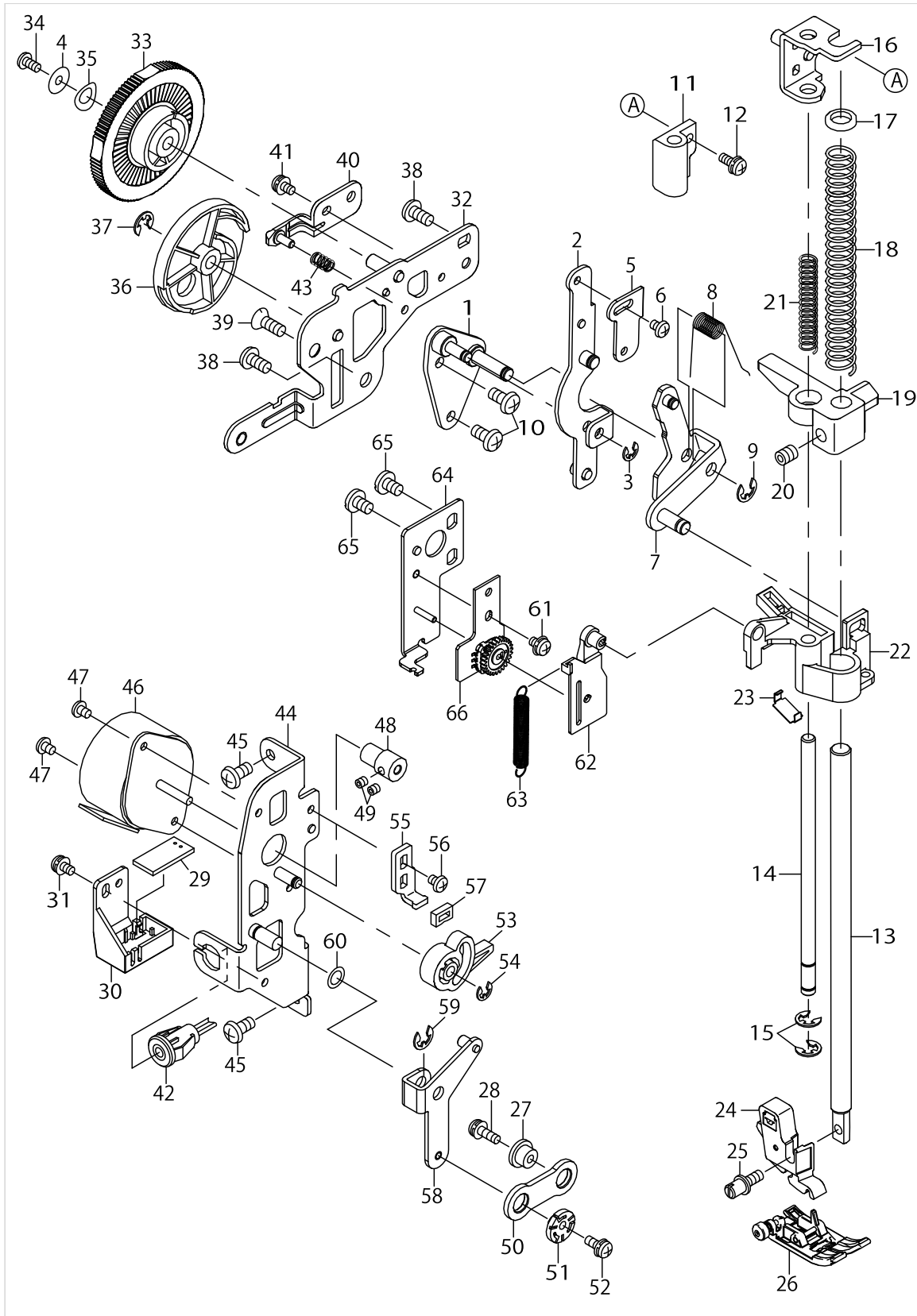
PRESSER MECHANISM & NEEDLE THROWING COMPONENTS



PRESSER MECHANISM & NEEDLE THROWING COMPONENTS

No.	Parts No.	Parts name	Remarks	Level	Cons	Qty
1	40055391	TENSION_RELEASE_BASE_ASSY				1
2	40055387	TENSION_RELEASE_PLATE_ASSY				1
3	RE0300000K0	E-RING 3				1
4	WP0330816SF	WASHER 3.25X10X0.8				1
5	40163784	TR_ADJUST_PLATE	FOR DX7,DX5,DX-2000QVP			1
6	SM5030455SF	SCREW M3 L=4				1
7	40163785	KNEE_LIFTER_PLATE_ASSY	FOR DX7,DX5,DX-2000QVP			1
8	40163787	KNEE_LIFTER_PLATE_SPRING	FOR DX7,DX5,DX-2000QVP			1
9	RE0400000K0	E-RING 4				1
10	SM5040855SN	SCREW				2
11	40076391	SUB_SPRING HOLDER				1
12	SL4030891SC	SCREW M3 L=8				1
13	40055402	PRESSER_BAR				1
14	40055403	PF_GUIDE_BAR				1
15	RE0400000K0	E-RING 4				2
16	40055409	PRESSER_ADJUST_PLATE_ASSY				1
17	40055404	PRESSER_SPRING HOLDER				1
18	40055405	PRESSER_SPRING				1
19	40055406	PRESSER_BAR_GUIDE				1
20	SM8050602TP	SCREW M5 L=6				1
21	40055412	PRESSER_SUB_SPRING				1
22	40163788	PRESSER_BLOCK	FOR DX7,DX5,DX-2000QVP			1
23	40064224	PRESSER_BLOCK_PLATE				1
24	40056529	ASSY_PRESSER_FOOT HOLDER				1
25	40064703	PF HOLDER SCREW				1
26	40057923	ASSY_STANDARD_PRESSER_FOOT				1
27	40062144	ROCKING_ROD_BUSH				1
28	SL4031091SC	SCREW M3 L=10				1
29	40163192	ASSY_ON_HAND_LED_CIRCUIT_BOARD_DX				1
30	40162329	LED_LAMP_COVER_L				1
31	SL4030691SC	SCREW M3 L=6				1
32	40055426	PRESSER_ADJUST_BASE_ASSY				1
33	40060527	PRESSER_ADJUST_DIAL				1
34	SM5030655SN	SCREW M3X0.5 L=6				1
35	A2110700000	SPRING WASHER				1
36	40055433	PRESSER_ADJUST_GEAR				1
37	RE0400000K0	E-RING 4				1
38	SM5040855SN	SCREW				2
39	SM1040801SN	SCREW M4X0.7 L=8				1
40	40079605	PRESSER_DIAL_CLICK				1
41	SL4030691SC	SCREW M3 L=6				1
42	40163191	ASSY_BH_RELAY_DX				1
43	40079606	PRESSER_DIAL_CLICK_SPRING				1
44	40163780	NT_STM_BASE_ASSY				1
45	SM5040855SN	SCREW				2
46	40163131	ASSY_NT_STM				1
47	SM5030455SF	SCREW M3 L=4				2

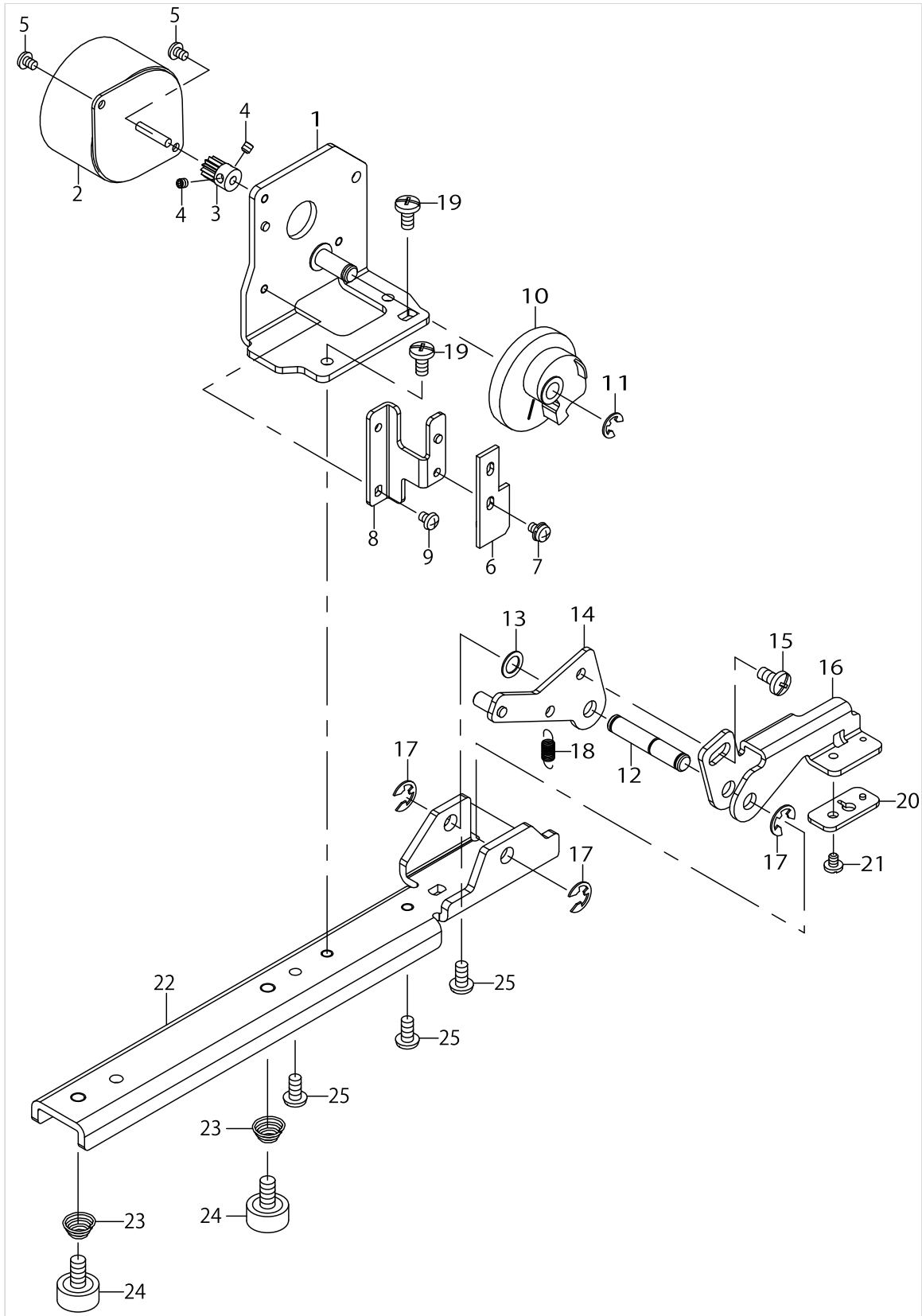
PRESSER MECHANISM & NEEDLE THROWING COMPONENTS



PRESSER MECHANISM & NEEDLE THROWING COMPONENTS

No.	Parts No.	Parts name	Remarks	Level	Cons	Qty
48	40070288	NT_STM_GEAR				1
49	SM8030312TP	SCREW M3 L=3				2
50	40053499	ROCKING_ROD				1
51	A1456008000A	LEAN CENTER SHAFT				1
52	SL4030891SC	SCREW M3 L=8				1
53	40053505	NEEDLE_THROWING_GEAR				1
54	RE0400000K0	E-RING 4				1
55	40055676	NT_STM_STOPPER				1
56	SM5030655SN	SCREW M3X0.5 L=6				1
57	A1646010000	RETRIEVAL RUBBER				1
58	40163782	NEEDLE_THROWING_ARM_ASSY				1
59	RE0400000K0	E-RING 4				1
60	WP0520516RZ	WASHER 5.2X8X0.5				1
61	SL5030531SF	SCREW	FOR DX7,DX5,DX-2000QVP			2
62	40163790	SENSOR_RACK	FOR DX7,DX5,DX-2000QVP			1
63	40055812	TP_CAM_SPRING	FOR DX7,DX5,DX-2000QVP			1
64	40163792	P_BAR_POSITION_S_BR_ASSY	FOR DX7,DX5,DX-2000QVP			1
65	SM5040655SN	SCREW	FOR DX7,DX5,DX-2000QVP			2
66	40163159	ASSY_TP_STM_POSITION_CIRCUIT_BOARD	FOR DX7,DX5,DX-2000QVP			1
67	40055395	TR_ADJUST_PLATE	FOR DX3			1
68	40055557	KNEE_LIFTER_PLATE_ASSY	FOR DX3			1
69	40056969	KNEE_LIFTER_PLATE_SPRING	FOR DX3			1
70	40055408	PRESSER_LEVER_SPRING	FOR DX3			1
71	40061618	PRESSER_BLOCK	FOR DX3			1
72	WP0520516RZ	WASHER 5.2X8X0.5	FOR DX3			1

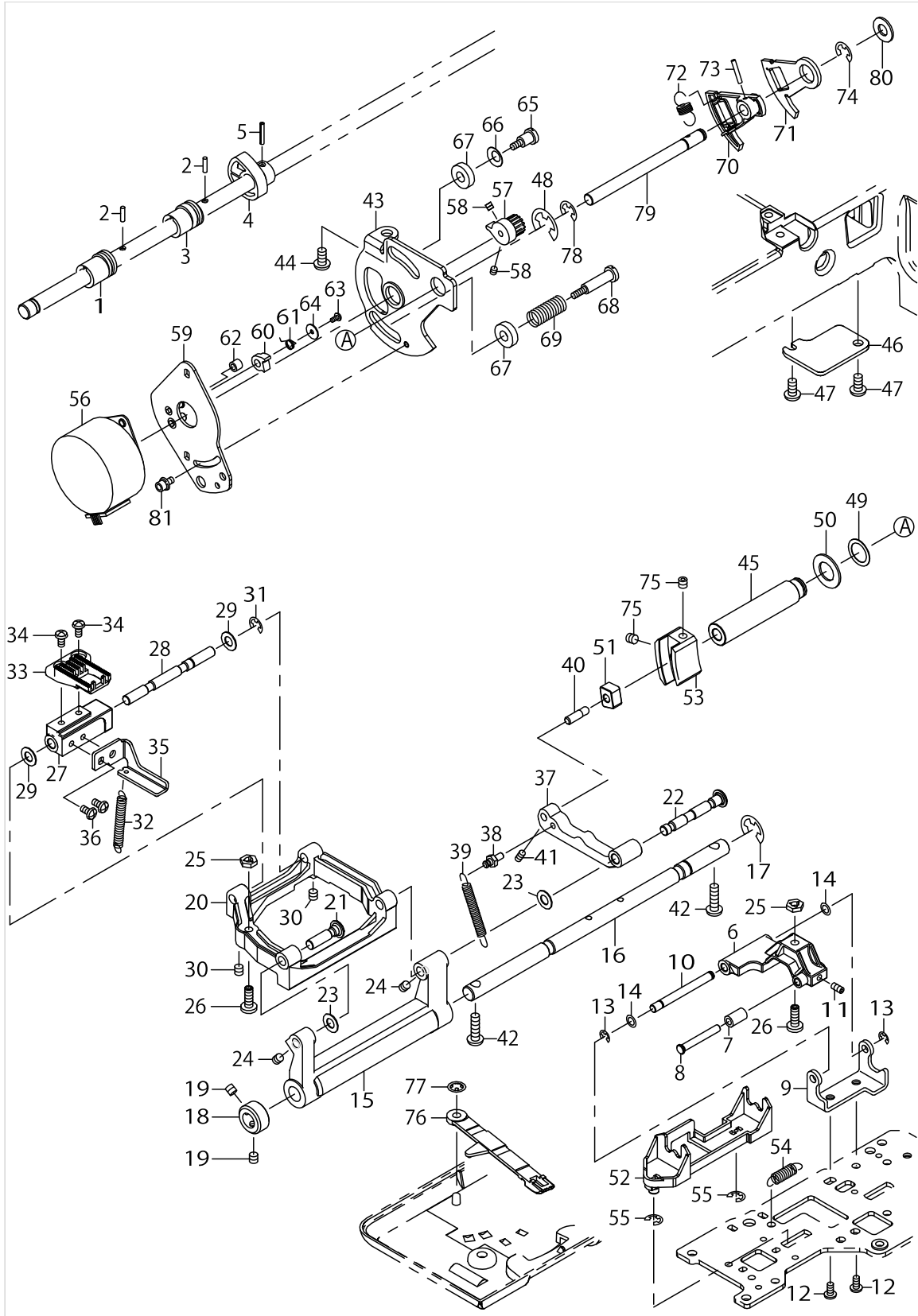
# HAND LIFTER COMPONENTS



HAND LIFTER COMPONENTS

No.	Parts No.	Parts name	Remarks	Level	Cons	Qty
1	40163871	P_LIFT_STM_BASE_ASSY				1
2	40163133	ASSY_TP_STM				1
3	40067261	TT_STM_GEAR				1
4	SM8030312TP	SCREW M3 L=3				2
5	SM5030455SF	SCREW M3 L=4				2
6	40163198	ASSY_TP_STM_ORG_CIRCUIT_BOARD				1
7	SL5030531SF	SCREW M3 L=5				1
8	40170866	P_F_SENSOR_BRACKET				1
9	SM5030455SF	SCREW M3 L=4				1
10	40170867	P_LIFT_CAM_GEAR				1
11	RE0400000K0	E-RING 4				1
12	40170868	CAM_LEVER_SHAFT				1
13	WP0611016RZ	WASHER 6.1X11X1				1
14	40163877	CAM_LEVER_ASSY				1
15	SM5040855SN	SCREW				1
16	40163880	CAM_LEVER_ARM				1
17	RE0500000K0	E-RING				3
18	40163881	CAM_LEVER_SPRING				1
19	SM5040655SN	SCREW				2
20	40163882	WIRE_STOPPER				1
21	SM5030455SF	SCREW M3 L=4				1
22	40163883	BED_REINFORCING_PLATE				1
23	A1159770000	HEIGHT_ADJUSTING_SPRING				2
24	40057991	HEIGHT_ADJUSTING_RUBBER				2
25	SM5040855SN	SCREW				3

FEED MECHANISM COMPONENTS

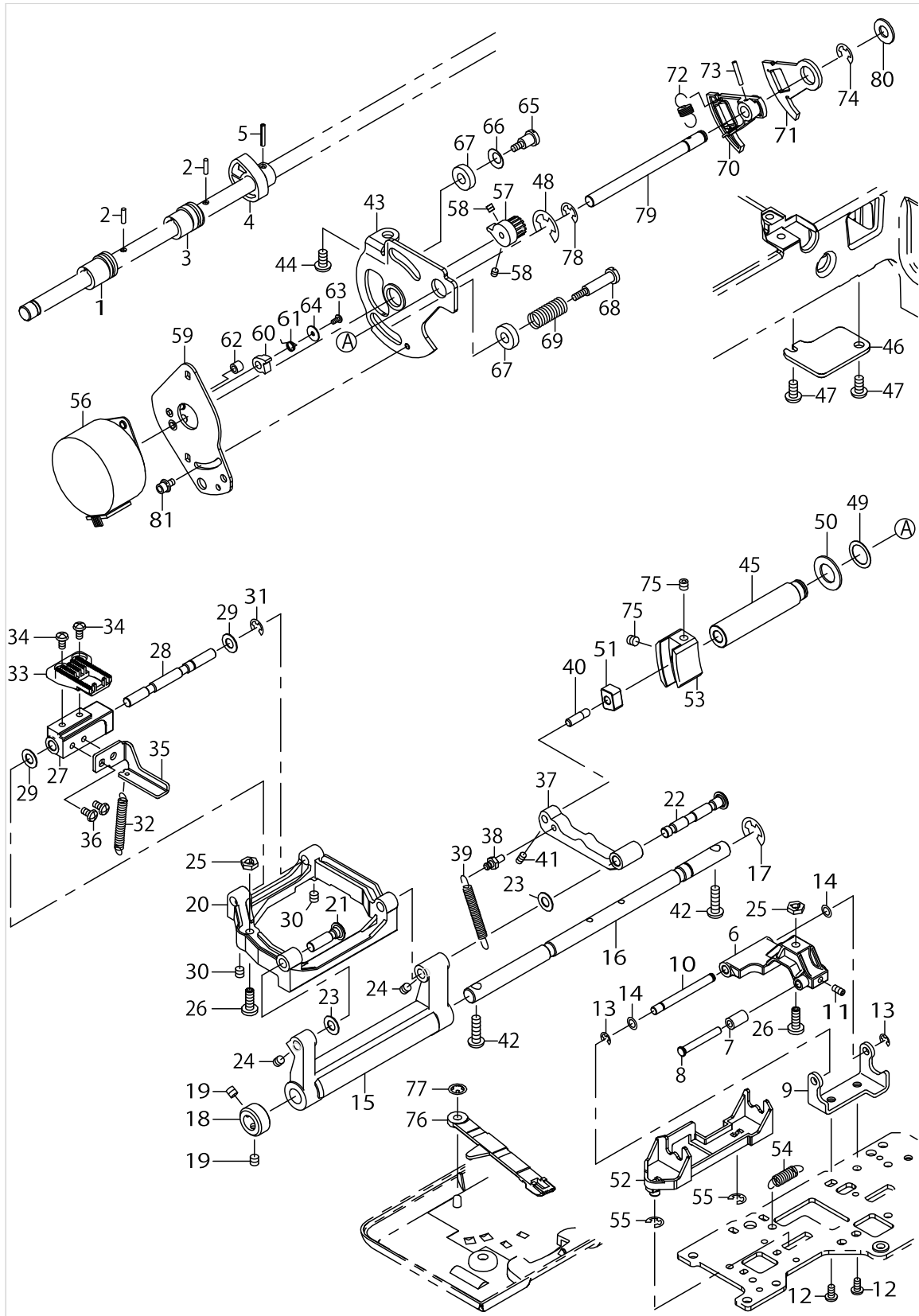


FEED MECHANISM COMPONENTS

No.	Parts No.	Parts name	Remarks	Level	Cons	Qty
1	4005549	VERTICAL FEED CAM				1
2	PS0200082KP	SPRING PIN TYPE W 2X8				2
3	40055499	VF ASSIST CAM				1
4	40055504	HORIZONTAL FEED CAM				1
5	PS0200122KP	SPRING PIN TYPE W 2X12				1
6	40071970	CORRECTION ARM				1
7	40071971	CORRECTION ROLLER				1
8	40071972	CORRECTION ROLLER SHAFT				1
9	40071973	CORRECTION ARM BASE				1
10	40107914	CORRECTION ARM SHAFT				1
11	SM8030612TP	SET SCREW				1
12	SM5030655SN	SCREW M3X0.5 L=6				2
13	RE0300000K0	E-RING 3				2
14	WP0410516RZ	WASHER				2
15	40055505	HF ROCKER ARM				1
16	40107915	HF ROCKER ARM SHAFT				1
17	RE0700000K0	E-RING 7				1
18	A1203030000	THRUST COLLAR				1
19	SM8040412TP	SET SCREW M4 L=4				2
20	40055513	FEED BAR				1
21	40107916	FEED BAR SHAFT L				1
22	40055507	FEED BAR SHAFT R				1
23	WP0520516RZ	WASHER				2
24	SM8040412TP	SET SCREW M4 L=4				2
25	174804008000	NUT				2
26	40107917	VF ADJUST SHAFT				2
27	40055502	ASSIST FEED BAR				1
28	40107918	ASSIST FEED BAR SHAFT				1
29	WP0520516RZ	WASHER				2
30	SM8040412TP	SET SCREW M4 L=4				2
31	RE0400000K0	E-RING 4				1
32	40055501	FEED BAR SPRING				1
33	40107919	FEED DOG				1
34	SM5030655SN	SCREW M3X0.5 L=6				2
35	40071969	CORRECTION PLATE				1
36	SM5030655SN	SCREW M3X0.5 L=6				2
37	40060607	HORIZONTAL FEED ARM				1
38	40056010	HF ARM SPRING PIN				1
39	40055517	HORIZONTAL FEED ARM SPRING				1
40	A1624010000	SLIDE BLOCK SHAFT				1
41	SM8030612TP	SET SCREW				1
42	SM5041455SN	SCREW				2
43	40107921	FEED STM FIXING PLATE				1
44	SM5040855SN	SCREW				1
45	40055520	FEED REGULATOR BUSHING				1
46	40055519	FR BUSHING CLAMP PLATE				1
47	SM5040855	SCREW				2



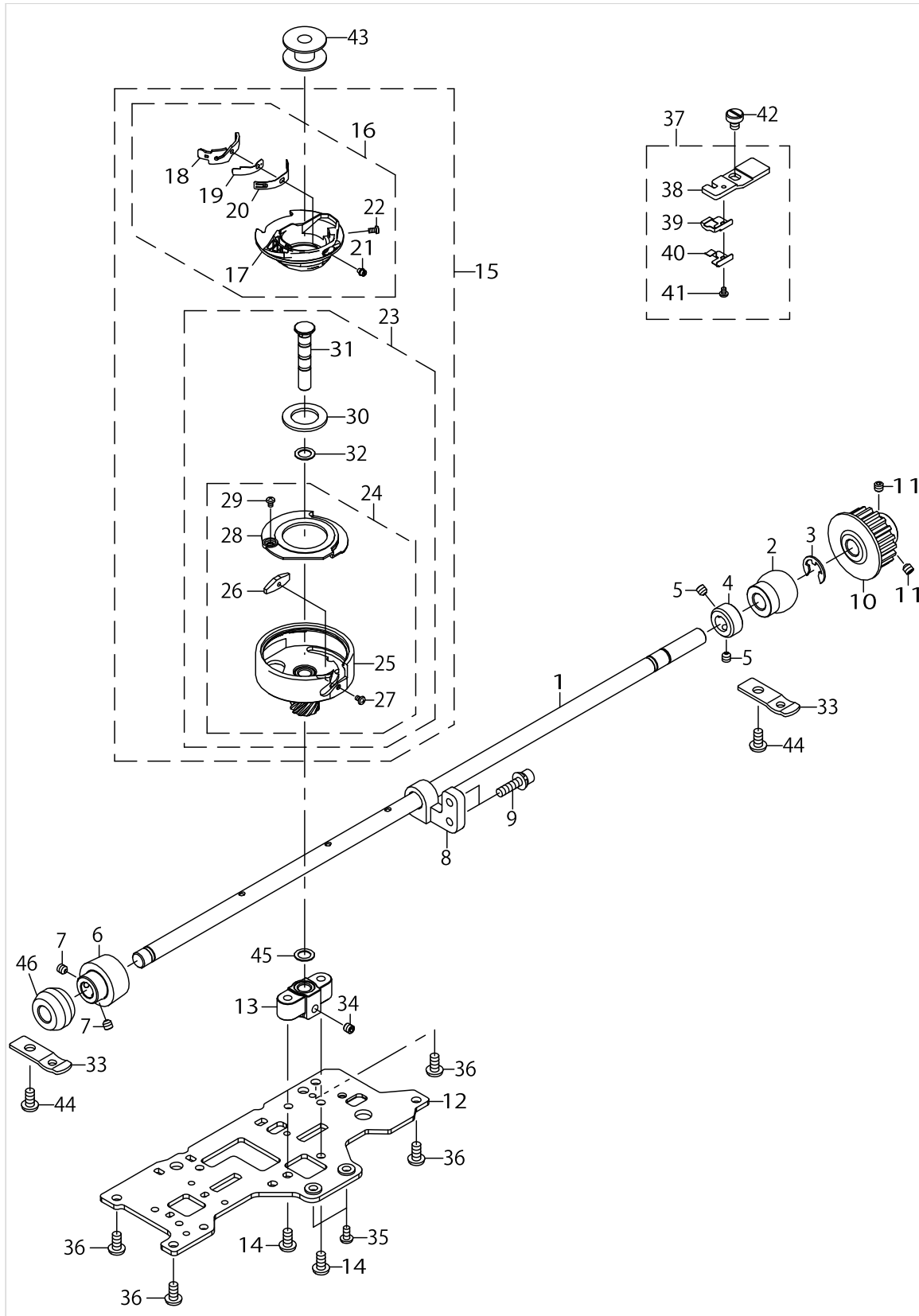
# FEED MECHANISM COMPONENTS



FEED MECHANISM COMPONENTS

No.	Parts No.	Parts name	Remarks	Level	Cons	Qty
48	RE080000K0	E-SHAPED SNAP RING (8MM)				1
49	WZ1052010KP	WAVED WASHER				1
50	WP1021016SD	WASHER				1
51	40055524	FEED REGULATOR BLOCK				1
52	40057335	DF WORKING BODY				1
53	40055522	FEED REGULATOR				1
54	40066691	DF RETURN SPRING				1
55	RE400000K0	E-RING 4				2
56	40056558	ASSY FD STM				1
57	40055530	FEED STM GEAR				1
58	SM8030312TP	SCREW M3 L=3				2
59	40107924	FEED ADJUSTING PLATE ASSY				1
60	40055531	FEED STOPPER LEVER				1
61	40055532	FEED STOPPER SPRING				1
62	40055533	ORIGIN DETECTING RUBBER				1
63	SM4020401SC	SCREW M2 L=4				1
64	WP0210516SD	PLAIN WASHER 2.1X8X0.5				1
65	A1650008000A	STAGE SCREW A				1
66	A2110700000	SPRING WASHER				1
67	40055539	FEED STM WASHER				2
68	A1651008000	STAGE SCREW A				1
69	A1658008000	SPRING				1
70	40055526	FEED REGULATOR GEAR A				1
71	40055527	FEED REGULATOR GEAR B				1
72	40055528	FR GEAR SPRING				1
73	PS0200122KP	SPRING PIN TYPE W 2X12				1
74	RE0500000K0	E-RING				1
75	SM8040412TP	SET SCREW M4 L=4				2
76	40057334	DF LEVER				1
77	A3205555A00	LOCKNUT				1
78	RE0500000K0	E-RING				1
79	40055521	FEED_REGULATOR_SHAFT				1
80	WP0621016SD	WASHER 6.2X13X1				1
81	SL6030692TN	SCREW M3 L=6				1

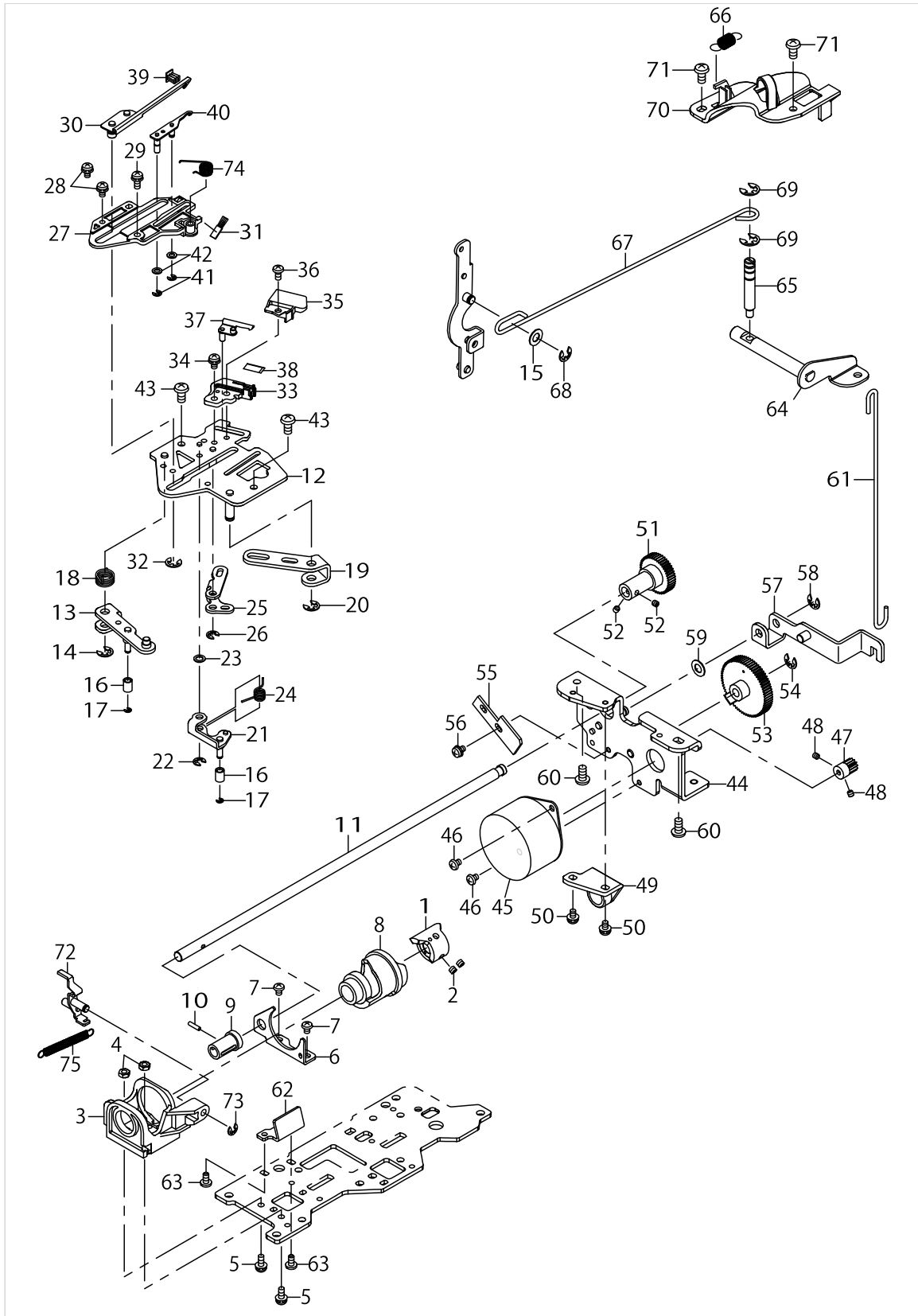
LOWER SHAFT & HOOK COMPONENTS



LOWER SHAFT & HOOK COMPONENTS

No.	Parts No.	Parts name	Remarks	Level	Cons	Qty
1	40107929	LOWER_SHAFT				1
2	A1810E60000	LOWER SHAFT WELT BEARING				1
3	RE0700000K0	E-RING 7				1
4	A1203030000	THRUST COLLAR				1
5	SM8040412TP	SCREW M4X4				2
6	40099886	HOOK_DRIVING_GEAR				1
7	SM8040412TP	SCREW M4X4				2
8	40053495	LOWER_SHAFT_SUPPORT				1
9	SL6041692TN	SCREW M4 L=16				2
10	40055826	LOWER_SHAFT_PULLEY				1
11	SM8040412TP	SCREW M4X4				2
12	40164220	HOOK_BRACKET				1
13	40053456	HOOK_DRIVING_SHAFT_BASE				1
14	SM5040855SN	SCREW				2
15	40081293	ALL_ASSY_HOOK				1
16	40080420	BOBBIN_CASE_PROCESSING		*		1
17	40058626	BOBBIN_CASE_MATERIAL		*		1
18	40060608	BOBBIN_CASE_THREAD_GUIDE		*		1
19	A1840009000	LOWER THREAD ADJUSTING SPRING A		*		1
20	A1841S56000	LOWER THREAD ADJUSTING SPRING B		*		1
21	A1843030000	LOWER THREAD ADJUSTING SCREW		*		1
22	A1844030000	BOBBIN CASE THRED GUIDE SCREW		*		1
23	A1830E800C0	HOOK ASM.		*		1
24	A1830E800B0	HOOK ASM.		*		1
25	A18300310A0	HOOK ASM.		*		1
26	A1832008000	HOOK NEEDLE GUARD		*		1
27	SM5020301SC	SCREW M2 L=3		*		1
28	A1831031000	HOOK BASE PLATE		*		1
29	SM5020301SC	SCREW M2 L=3		*		1
30	A1833E50000	FELIGHT MAGNET		*		1
31	A18090310A0	HOOK SHAFT (ASM.)		*		1
32	WP0620516RZ	WASHER 6.2X9.5X0.5		*		1
33	021112002000	LOWER SHAFT WELT BEARING PLATE				2
34	SM8040412TP	SCREW M4X4				1
35	SM5030655SN	SCREW M3X0.5 L=6				2
36	SM5040855SN	SCREW				4
37	40064997	ASSY_BOBBIN_CASE_STOPPER				1
38	40053454	BOBBIN_CASE_STOPPER_PLATE		*		1
39	40056975	BOBBIN_CASE_STOPPER_SPRING		*		1
40	40056976	STOPPER_SPRING_SUPPORT		*		1
41	SM5020301SC	SCREW M2 L=3		*		1
42	A1138335000	THROAT PLATE SETSCREW				1
43	001141000000	BOBBIN				1
44	SM5040855SN	SCREW				2
45	WP0620516RZ	WASHER 6.2X9.5X0.5				1
46	041207008000	LOWER SHAFT WELT BEARING				1

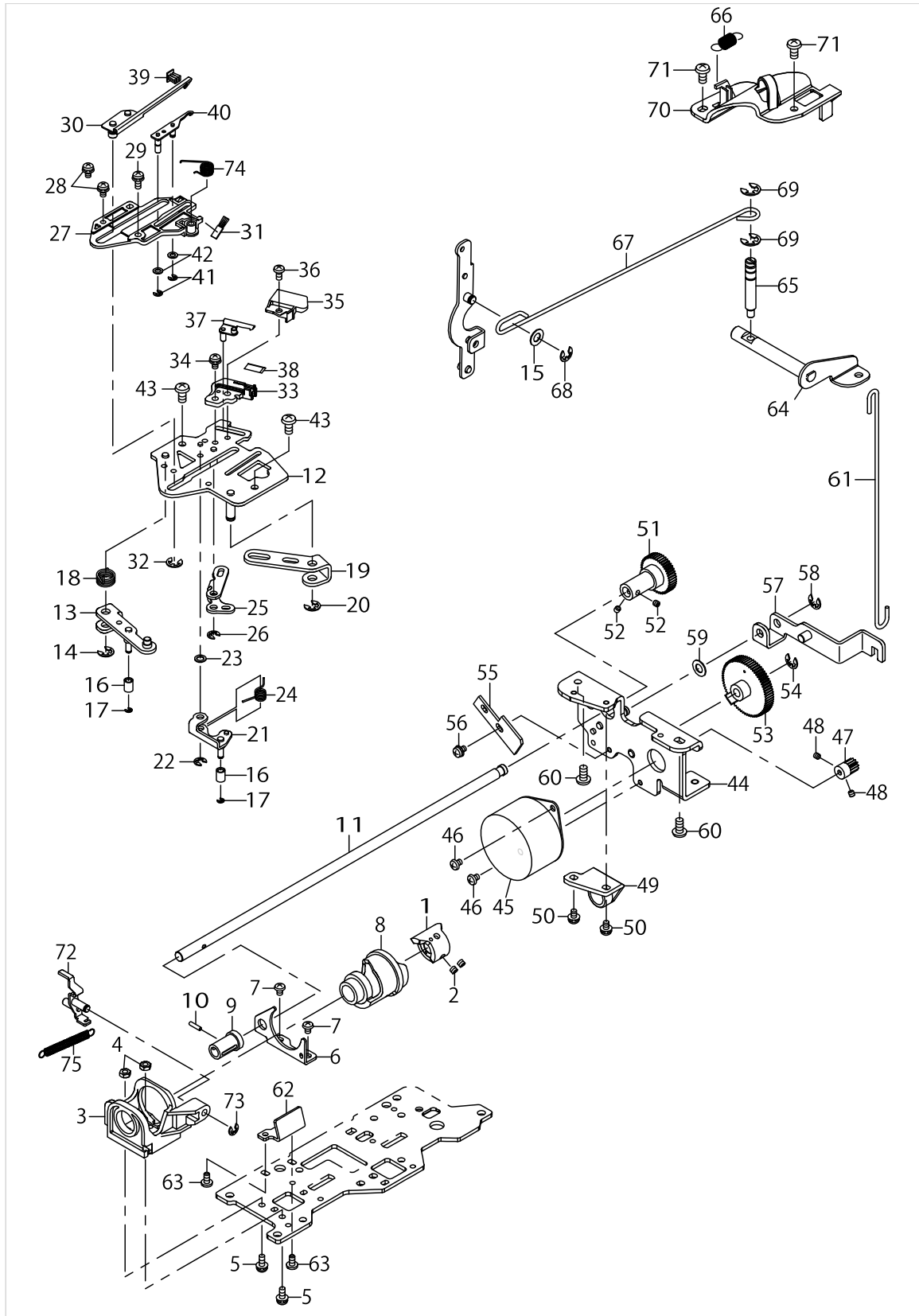
# THREAD TRIMMER COMPONENTS



THREAD TRIMMER COMPONENTS

No.	Parts No.	Parts name	Remarks	Level	Cons	Qty
1	40136001	THREAD_TRIMMER_CAM				1
2	SM8030312TP	SCREW M3 L=3				2
3	40065718	DRIVING_CAM HOLDER				1
4	NM6030002SF	NUT M3				2
5	SL4030891SC	SCREW M3 L=8				2
6	40053581	DRIVING_CAM_BRACKET_R				1
7	SM5030455SF	SCREW M3 L=4				2
8	40136004	CATCHER_DRIVING_CAM				1
9	40053586	CAM_DRIVING_GEAR_L				1
10	PS0200082KP	SPRING PIN TYPE W 2X8				1
11	40053587	CAM_DRIVING_SHAFT				1
12	40136005	TT_MECHANISM_BASE_ASSY				1
13	40053598	CATCHER_WORKING_LINK_ASSY				1
14	RE0400000K0	E-RING 4				1
15	WP0410516RZ	WASHER				1
16	40053602	LINK_SHAFT_ROLLER				2
17	RE0150000K0	SNAP RING 1.5				2
18	40053610	CATCHER_WORKING_LINK_SPRING				1
19	40053603	CATCHER_LINK				1
20	RE0400000K0	E-RING 4				1
21	40053612	TT_DRIVING_LINK_ASSY				1
22	RE0300000K0	E-RING 3				1
23	WP0410516RZ	WASHER				1
24	40053611	TT_DRIVING_LINK_SPRING				1
25	40053616	THREAD_TRIMMER_LINK				1
26	RE0300000K0	E-RING 3				1
27	40136007	THREAD_CATCH_GUIDE				1
28	SL4030691SC	SCREW M3 L=6				2
29	SL4030891SC	SCREW M3 L=8				1
30	40053604	CATCHER_ASSY				1
31	40160192	BRUSH_A				1
32	RE0400000K0	E-RING 4				1
33	40136008	TT_CUTTER_BASE				1
34	SL4030691SC	SCREW M3 L=6				1
35	40136009	TT_CUTTER_COVER				1
36	SM5030655SN	SCREW M3X0.5 L=6				1
37	40135998	TT_CATCHER_ASSY				1
38	40160147	CUTTER_BLADE				1
39	40160145	PILE_B				1
40	40078681	UT_HOOK_ASSY				1
41	RE0200000K0	E-RING 2				2
42	WP0310516RZ	WASHER 3.1X5.4X0.5				2
43	SM5040855SN	SCREW				2
44	40163795	THREAD_TRIMMER_STM_BASE_ASSY				1
45	40163132	ASSY_TT_STM				1
46	SM5030455SF	SCREW M3 L=4				2
47	40067261	TT_STM_GEAR				1

# THREAD TRIMMER COMPONENTS

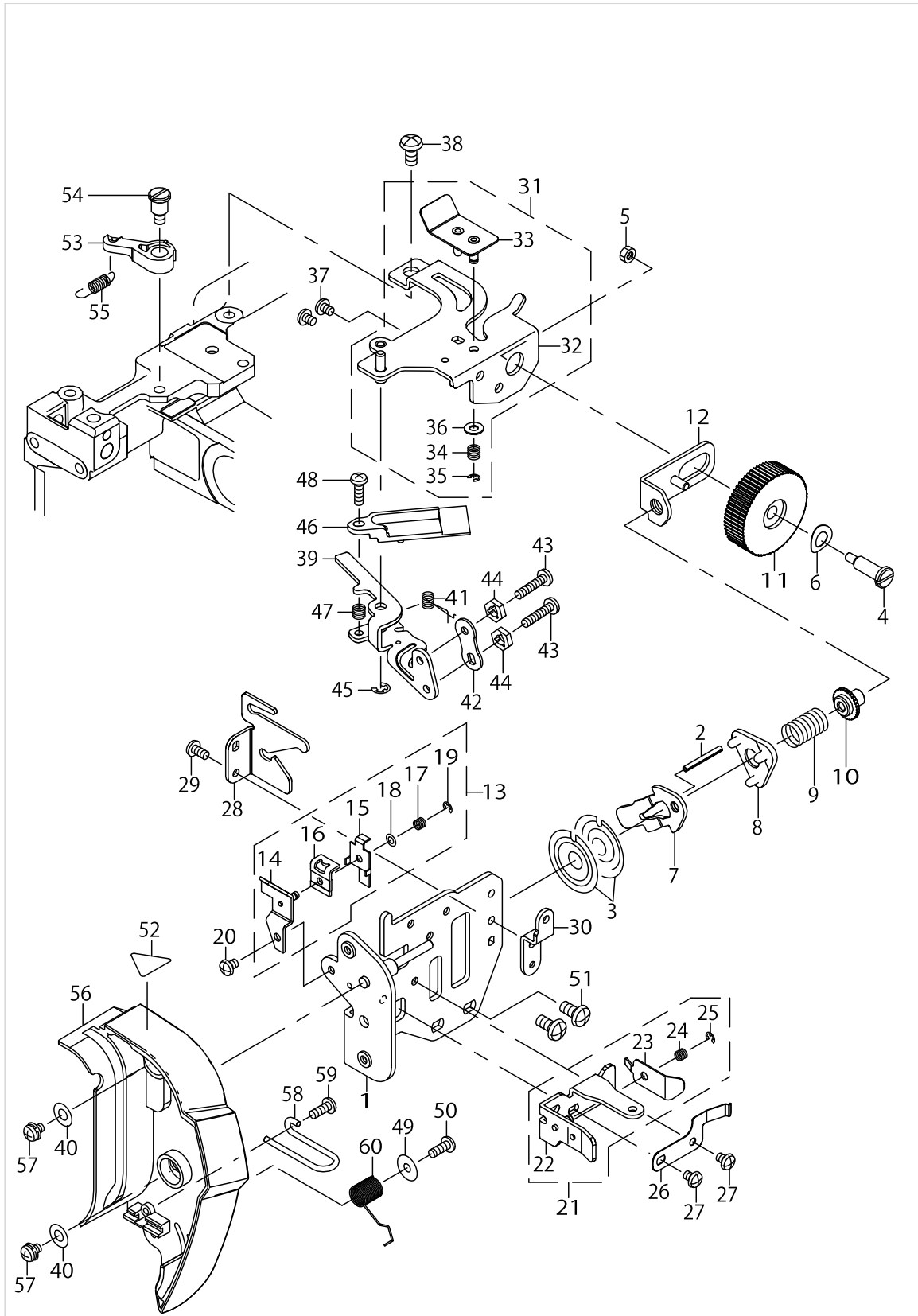


THREAD TRIMMER COMPONENTS

No.	Parts No.	Parts name	Remarks	Level	Cons	Qty
48	SM8030312TP	SCREW M3 L=3				2
49	40067671	CAM_DRIVING_GEAR_R_HOLDER				1
50	SL4030691SC	SCREW M3 L=6				2
51	40053585	CAM_DRIVING_GEAR_R				1
52	SM8030312TP	SCREW M3 L=3				2
53	40053584	INTERMEDIATE_GEAR				1
54	RE0400000K0	E-RING 4				1
55	40163195	ASSY_TT_STM_ORG_CIRCUIT_BOARD				1
56	SL5030531SF	SCREW M3 L=5				1
57	40053641	TR_PLATE_LOWER_ASSY				1
58	RE0400000K0	E-RING 4				1
59	WP0520516RZ	WASHER 5.2X8X0.5				1
60	SM5040855SN	SCREW				2
61	40163797	TR_LINK_LOWER				1
62	40145842	CAM_DRIVING_SHAFT_SUPPORT				1
63	SM5030655SN	SCREW M3X0.5 L=6				2
64	40053637	TR_LINK_PLATE_ASSY				1
65	40053632	TR_CONNECT_SHAFT				1
66	40053636	TENSION_RELEASE_SPRING				1
67	40053628	TR_LINK_UPPER				1
68	RE0400000K0	E-RING 4				1
69	RE0500000K0	E-RING				2
70	40055796	WIRE_GUIDE_A				1
71	SM5040855SN	SCREW				2
72	40078686	UT_HOOK_LEVER_ASSY				1
73	RE0300000K0	E-RING 3				1
74	40078685	UT_HOOK_SPRING				1
75	40078690	UT_HOOK_LEVER_SPRING				1



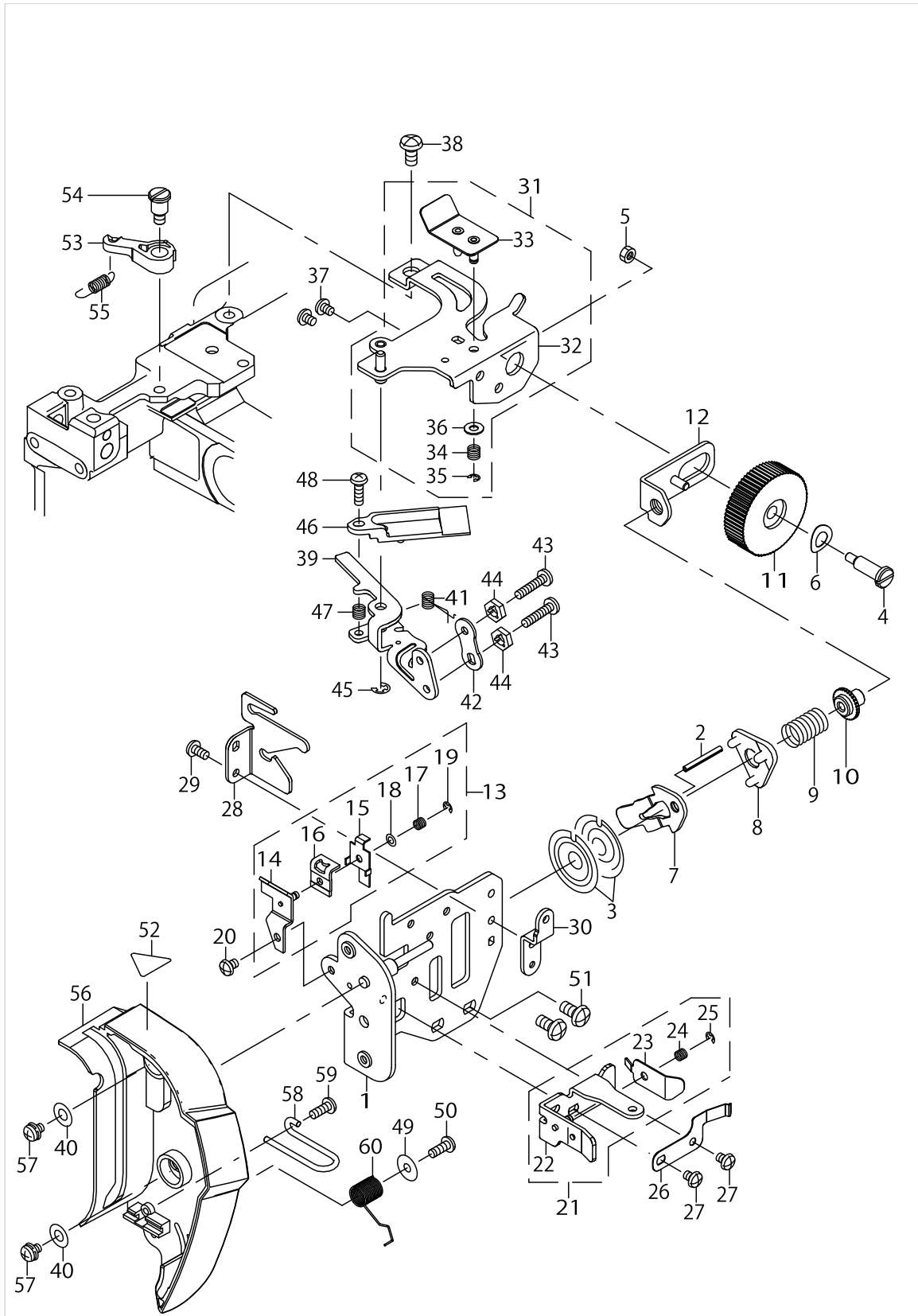
# THREAD TENSION COMPONENTS



THREAD TENSION COMPONENTS

No.	Parts No.	Parts name	Remarks	Level	Cons	Qty
1	40053520	FACE_PLATE_ASSY				1
2	PS0200182KP	SPRING PIN TYPE W 2X18				1
3	A3910634000B	TENSION DISC				2
4	40066124	TT_DIAL_SHAFT				1
5	NM6030002SF	NUT M3				1
6	A2110700000	SPRING WASHER				1
7	40053525	DISC_RELEASE_PLATE				1
8	40055371	DISC HOLDER				1
9	40112878	THREAD_TENSION_SPRING				1
10	40053526	THREAD_TENSION_ADJUST_NUT				1
11	40161989	TT_DIAL_FOREIGN				1
12	40053532	THREAD_TENSION_ADJUST_PLATE_ASSY				1
13	A3173E500B0	PRETENSION (MAS ASM.)				1
14	A3173E500A0	PRETENSION DISH ASM. LEFT		*		1
15	A3171T50000	PRETENSION LEVER		*		1
16	A3172T50000	PRETENSION DISC		*		1
17	A3175T70000	PRETENSION SPRING		*		1
18	WP0260116RZ	WASHER 2.6X4.7X0.13		*		1
19	RE0200000K0	E-RING 2		*		1
20	SM5030455SF	SCREW M3 L=4				1
21	40064573	ASSY_SUB_TENSION_BASE				1
22	40062044	SUB_TENSION_BASE_ASSY		*		1
23	40062047	SUB_TENSION		*		1
24	40062048	SUB_TENSION_SPRING		*		1
25	RE0200000K0	E-RING 2		*		1
26	40053528	THREAD_TENSION_DIAL_CLICK				1
27	SM5030655SN	SCREW M3X0.5 L=6				2
28	40057974	ARM_THREAD_GUIDE				1
29	SM5030655SN	SCREW M3X0.5 L=6				1
30	40058407	THREAD_TENSION_COVER_BRACKET				1
31	40064704	ASSY_BASE_TENSION_BASE				1
32	40055383	BASE_TENSION_BASE_ASSY		*		1
33	40055384	BASE_TENSION_ASSY		*		1
34	40055420	BASE_TENSION_SPRING		*		1
35	RE0200000K0	E-RING 2		*		1
36	WP0320501SC	WASHER M3		*		1
37	SM5030455SF	SCREW M3 L=4				2
38	SM5040855SN	SCREW				1
39	40055561	RELEASE_ARM				1
40	WP0430801SC	WASHER M4				2
41	40055400	RELEASE_ARM_SPRING				1
42	40070286	RELEASE_ARM_SPACER				1
43	SM5031001SE	SCREW M3 L=10				2
44	174803004000	NUT				2
45	RE0300000K0	E-RING 3				1
46	40066195	BASE_TENSION_LIFTER				1
47	40066193	BASE_TENSION_LIFTER_SPRING				1

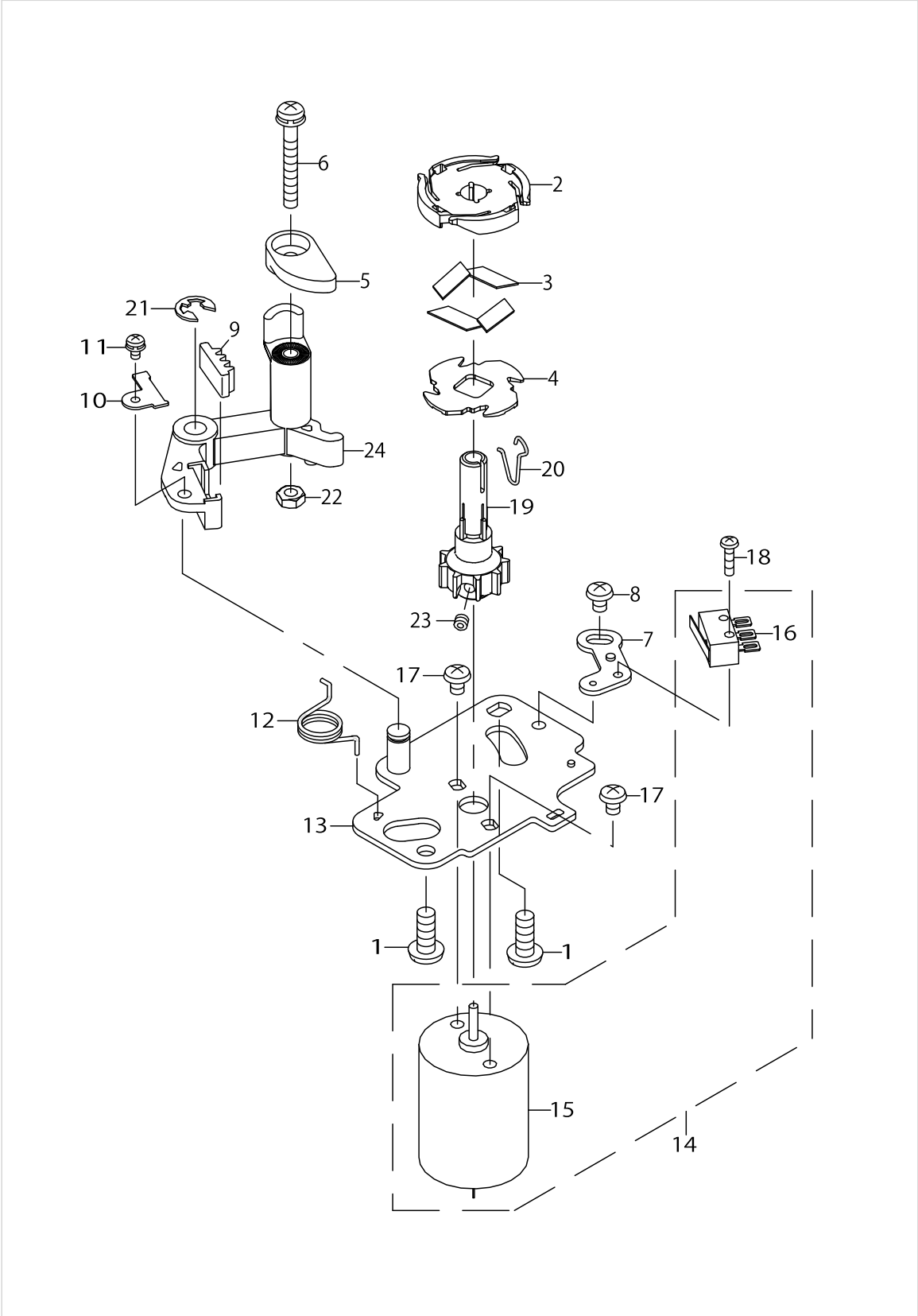
# THREAD TENSION COMPONENTS



THREAD TENSION COMPONENTS

No.	Parts No.	Parts name	Remarks	Level	Cons	Qty
48	SM5031001SE	SCREW M3 L=10				1
49	WP0330816SF	WASHER 3.25X10X0.8				1
50	ST5030851SN	SCREW M3X8				1
51	SM5040855SN	SCREW				2
52	CM300200001	FINGER INJURY CAUTION LABEL (16)				1
53	40055396	TENSION_RELEASE_ARM				1
54	40055397	TR_ARM_LOCATE_SCREW				1
55	40161187	TR_ARM_SPRING				1
56	40162302	FACE_PLATE_COVER				1
57	SL4030591SC	SCREW M3 L=5				2
58	40055376	TAKE_UP_SPRING_GUIDE				1
59	ST5030851SN	SCREW M3X8				1
60	40163854	TAKE_UP_SPRING				1
61	40055385	PRESSER_LIFTER_SW_BASE	FOR DX3			1
62	40115936	ASSY OST SW	FOR DX3			1
63	SM4831001SF	SCREW M2.3 L=10	FOR DX3			1
64	SL5040835SN	SCREW M4 L=8	FOR DX3			1

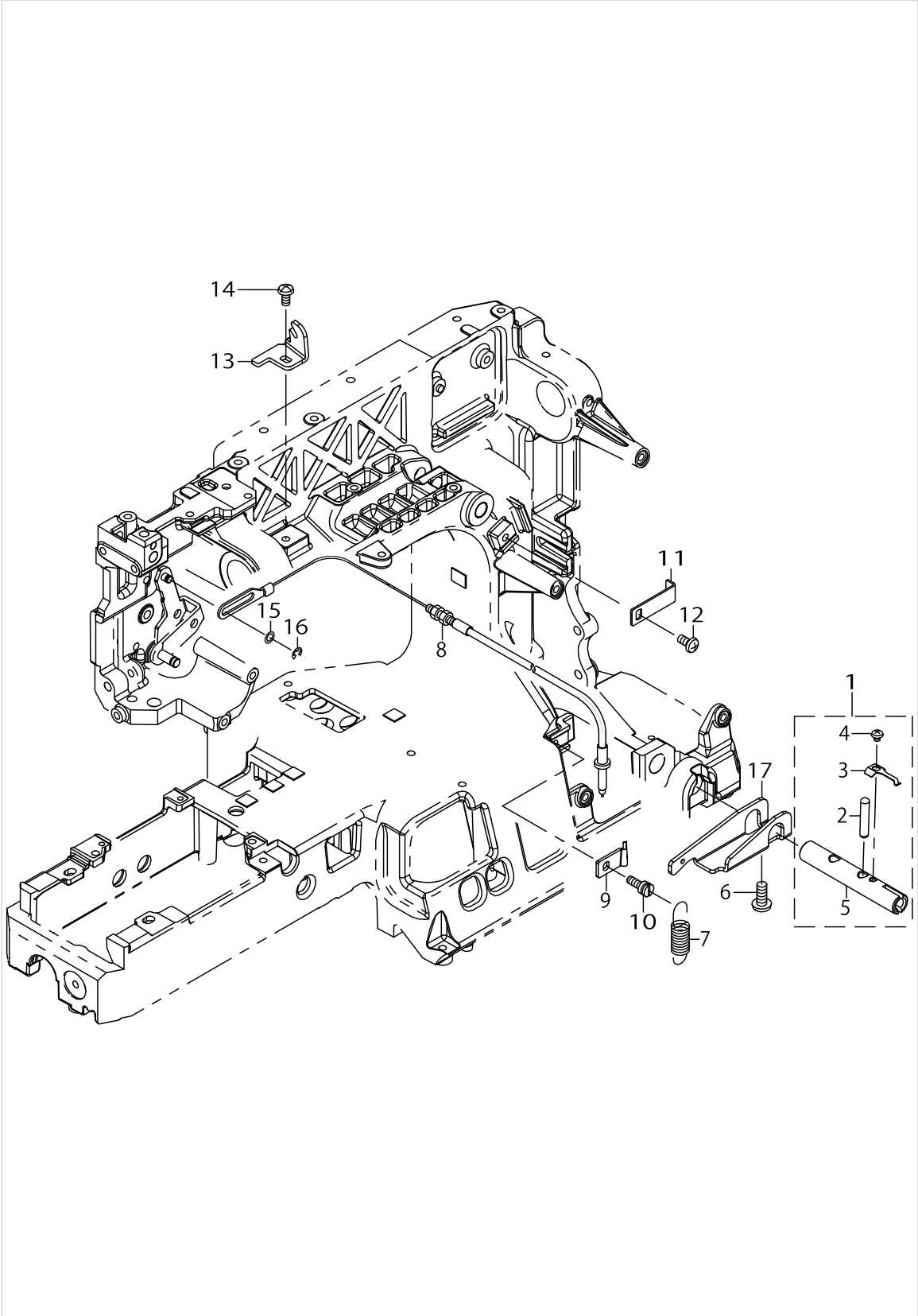
BOBBIN WINDER COMPONENTS



BOBBIN WINDER COMPONENTS

No.	Parts No.	Parts name	Remarks	Level	Cons	Qty
1	ST5041051SN	SCREW				2
2	40174537	BOBBIN_RECEIVER				1
3	40174532	CUTTER_BLADE_S				4
4	40162335	BW_BLADE HOLDER				1
5	40053677	BW_ADJUST_BODY				1
6	SL4032081SC	SCREW M3 L=20				1
7	40097680	SW_BASE				1
8	SM5030655SN	SCREW M3X0.5 L=6				1
9	40076145	STOPPER_RUBBER				1
10	40076146	RUBBER_FIXING_PLATE				1
11	SL4020491SC	SCREW M2 L=4				1
12	40061796	BW_SPRING				1
13	40097677	BOBBIN_WINDER_BASE_ASSY				1
14	40116031	ASSY_WIND_MOTOR				1
15	40065720	WIND_MOTOR		*		1
16	HA00325000B	SWITCH		*		1
17	SM5030455SF	SCREW M3 L=4				2
18	SM5020855SN	SCREW M2 L=8				1
19	40162333	BOBBIN_WINDER_SHAFT				1
20	40084023	BOBBIN_STOPPER_SPRING				1
21	RE0400000K0	E-RING 4				1
22	NM6030002SF	NUT M3				1
23	SM8030312TP	SCREW M3 L=3				1
24	40097679	BW_ADJUST_BASE				1

KNEE LIFTER COMPONENTS

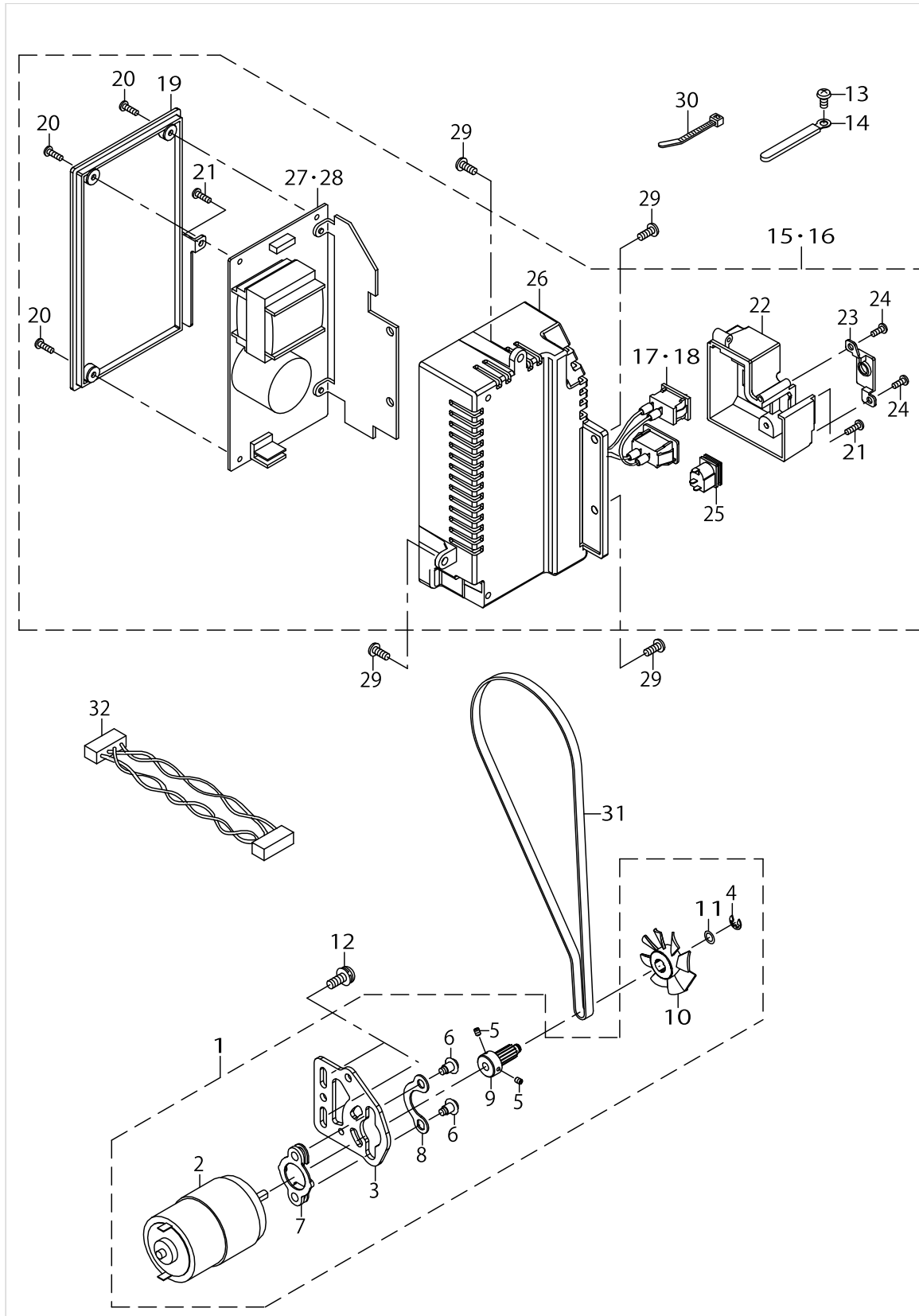


KNEE LIFTER COMPONENTS

No.	Parts No.	Parts name	Remarks	Level	Cons	Qty
1	40084331	ASSY_KL_CONNECT_SHAFT				1
2	A343301SZ00	STOPPER PIN		*		1
3	40053426	KL_CLICK_SPRING		*		1
4	SM4030301SC	SCREW M3X0.5 L=3		*		1
5	40053425	KNEE_LIFTER_CONNECT_SHAFT		*		1
6	SM5051255SN	SCREW				1
7	40163860	KNEE_LIFTER_SPRING	FOR DX7,DX5,DX-2000QVP			1
8	40053446	KNEE_LIFTER_WIRE_ASSY				1
9	40171590	WIRE_TUBE HOLDER_L				1
10	40163861	KL_SPRING_STUD	FOR DX7,DX5,DX-2000QVP			1
11	40064567	WIRE_GUIDE_B				1
12	SM5040855SN	SCREW				1
13	40055795	WIRE_TUBE HOLDER_U				1
14	SM5040855SN	SCREW				1
15	WP0410516RZ	WASHER				1
16	RE0300000K0	E-RING 3				1
17	40163859	KNEE_LIFTER_LEVER	FOR DX7,DX5,DX-2000QVP			1
18	40053427	KNEE_LIFTER_SPRING	FOR DX3			1
19	40053429	KL_SPRING_STUD	FOR DX3			1
20	40053424	KNEE_LIFTER_LEVER	FOR DX3			1



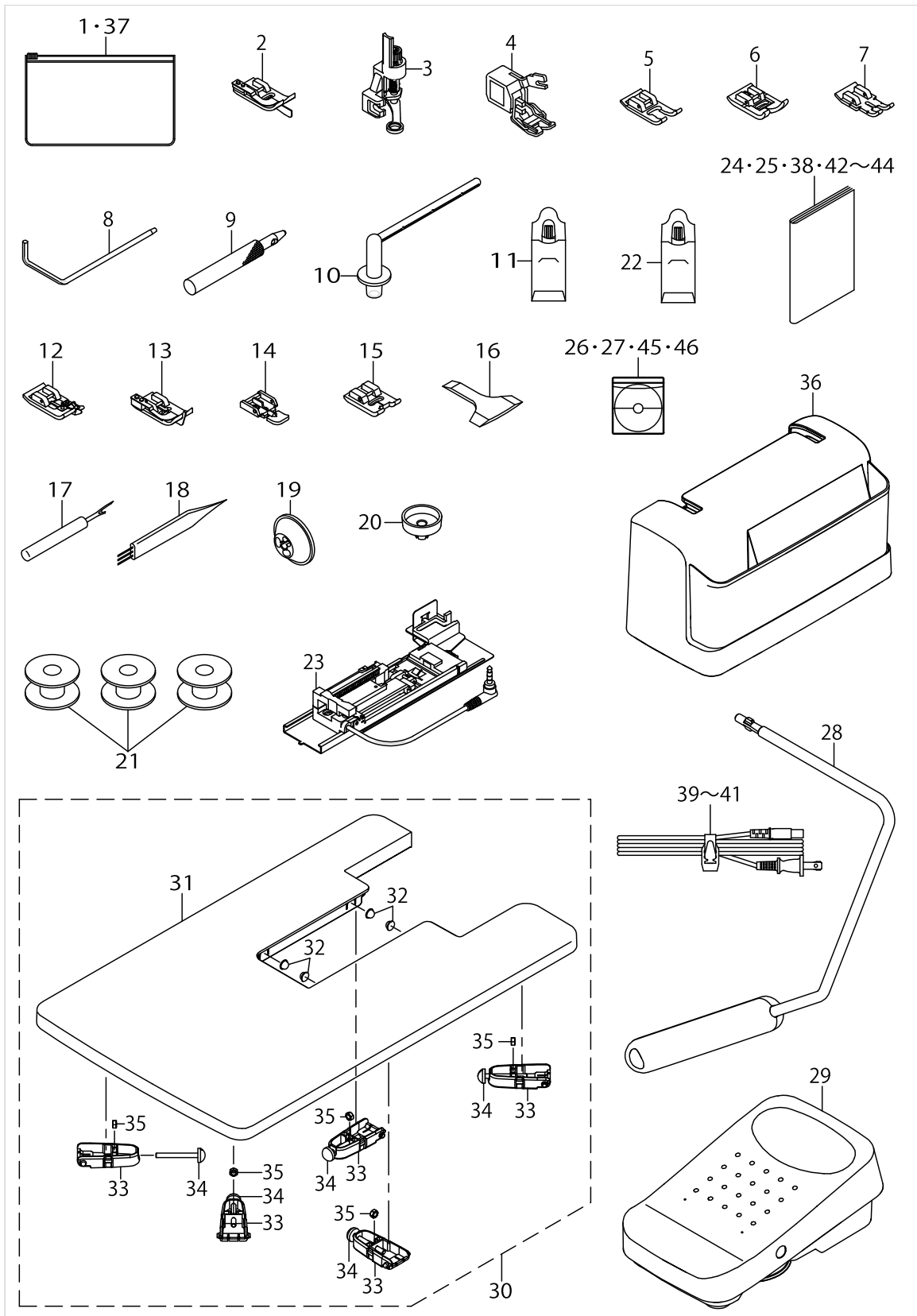
POWER SUPPLY & MAIN MOTOR COMPONENTS



POWER SUPPLY & MAIN MOTOR COMPONENTS

No.	Parts No.	Parts name	Remarks	Level	Cons	Qty
1	40163884	ALL_ASSY_MAIN_MOTOR				1
2	40163174	ASSY_MAIN_MOTOR		*		1
3	40051275	MOTOR_BRACKET		*		1
4	RE0400000K0	E-RING 4		*		1
5	SM8030612TP	SET SCREW		*		2
6	40057922	RUBBER_WASHER_SCREW		*		2
7	40062143	MOTOR_SPACER		*		1
8	40066024	SPACER_PLATE		*		1
9	40055830	MOTOR_SHAFT_PULLEY		*		1
10	40053472	MOTOR_SHAFT_PULLEY_FLANGE		*		1
11	WP0520216RZ	WASHER 5.2X8X0.13		*		1
12	SL4051485SE	SCREW M5 L=14				2
13	SM5040855SN	SCREW				3
14	A3811550000	CORD HOLDER				2
15	40079000	ALL_ASSY_POWER SUPPLY	FOR UL			1
16	40164099	ALL_ASSY_POWER SUPPLY_CE	FOR CE			1
17	40056541	ASSY_POWER_SW_UL	FOR UL	*		1
18	40150471	ASSY_POWER_SW_CE	FOR CE	*		1
19	40053476	SWITCHING_POWER_SOURCE_COVER_LID		*		1
20	ST5031051SN	TAPPING SCREW		*		3
21	ST5031051SN	TAPPING SCREW		*		2
22	40053474	INLET_COVER		*		1
23	40058553	CONTROLLER_JACK_COVER		*		1
24	ST5030851SN	SCREW M3X8		*		2
25	40085940	ASSY_CONT_SOCKET		*		1
26	40053475	SWITCHING_POWER_SOURCE_COVER		*		1
27	40164893	ASSY_POWER_SUPPLY_UL	FOR UL	*		1
28	40166891	ASSY_POWER_SUPPLY_DX_REV2	FOR CE	*		1
29	SM5041055SN	SCREW M4X10				4
30	A407855000B	BAND				9
31	40057960	MOTOR_TIMING_BELT				1
32	40056552	ASSY_POWER_SUPPLY_RELAY				1

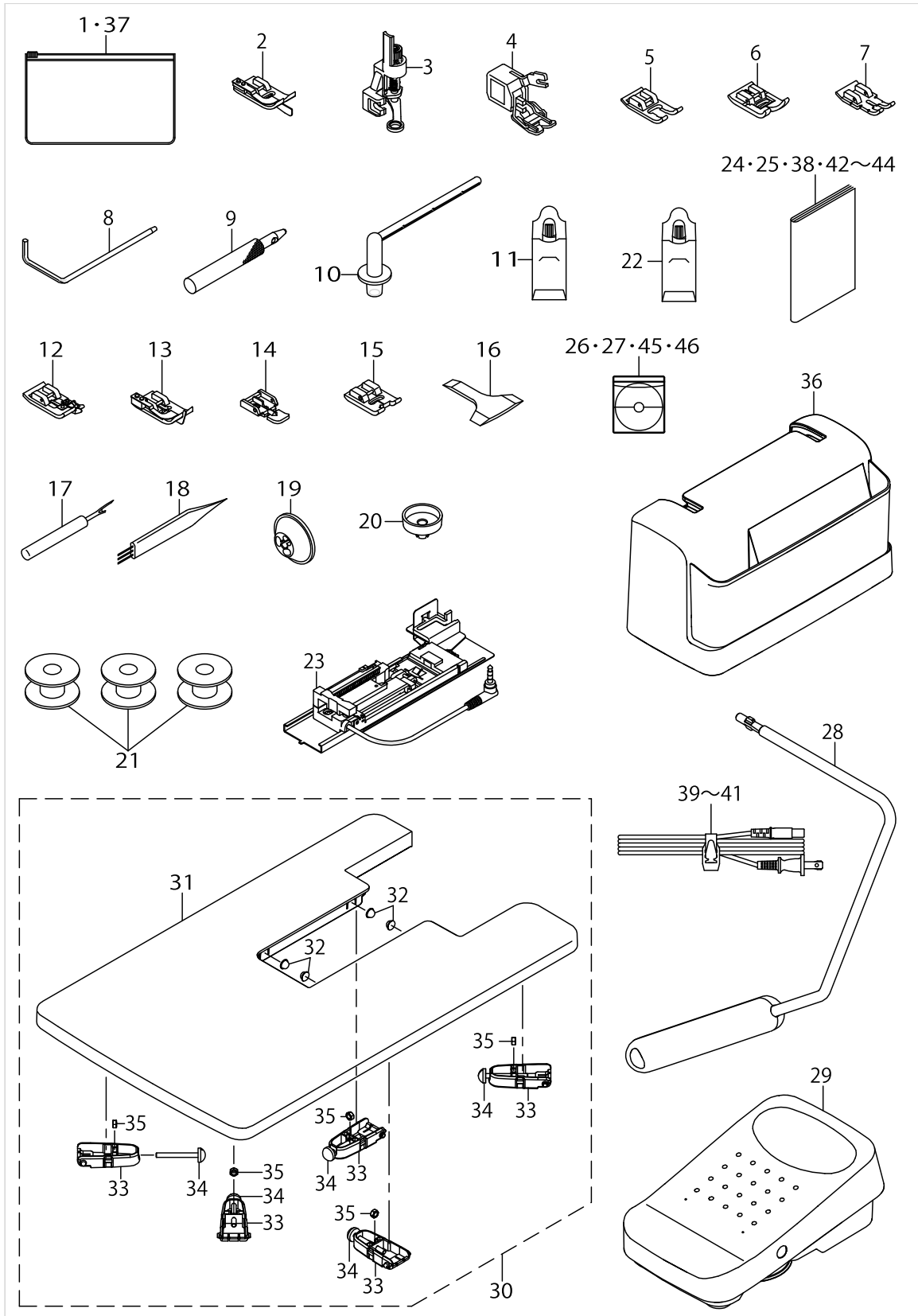
ACCESSORY PARTS COMPONENTS (1)



ACCESSORY PARTS COMPONENTS (1)

No.	Parts No.	Parts name	Remarks	Level	Cons	Qty
1	A9121503000A	ACCESSORY BAG	FOR DX7,DX-2000QVP			1
2	40059126	ASSY_CONCEALED_SEAM_FOOT	FOR DX7,DX-2000QVP			1
3	40173188	ASSY_QUILT_PRESSER_FOOT	FOR DX7,DX5,DX-2000QVP			1
4	40057984	ASSY_UPPER_FEED_ATTACHMENT	FOR DX7,DX5,DX-2000QVP			1
5	40059124	ASSY_OPEN_TOE_FOOT	FOR DX7,DX-2000QVP			1
6	A920101S0A0A	DECORATIVE STITCH FOOT	FOR DX7,DX-2000QVP			1
7	40059122	ASSY_STRAIGHT_PACHWORK_FOOT	FOR DX7,DX5,DX-2000QVP			1
8	A9134550000	RULER	FOR DX7,DX5,DX-2000QVP			1
9	A9103880000	EYELET PUNCH	FOR DX7,DX-2000QVP			1
10	40058089	SUPPORT_SPOOL_PIN				1
11	40083061	TWIN_NEEDLE_SET				1
12	40059118	ASSY_OVERCASTING_FOOT				1
13	40110164	ASSY_BLINDSTITCH_FOOT				1
14	A91330100A0	ZIPPER FOOT ASM.				1
15	40110165	TRANSPARENT_BUTTONHOLE_FOOT				1
16	A9110700000	SCREWDRIVER				1
17	A9131990000	SEAM RIPPER				1
18	A9137956000	BRUSH				1
19	A1150980000	SPOOL CAP				1
20	A114501SZ00	SMALL SPOOL CAP				1
21	001141000000	BOBBIN				3
22	40075804	NEEDLE_SET				1
23	40057289	BH_PRESSER_FOOT_SET				1
24	40163700	INSTRUCTION_MANUAL_DX(ENG/SPA/FRA)(FOR U	FOR DX5,DX7			1
25	40163917	INSTRUCTION_MANUAL_DX_ENG(FOR CE/BS)	FOR DX5,DX7			1
26	40163903	ASSY_INSTRUCTION_DVD_DX_SERIES_PAL(FOR C	FOR DX5,DX7			1
27	40163909	ASSY_INSTRUCTION_DVD_DX_SERIES_NTSC(FOR	FOR DX5,DX7			1
28	40070255	ASSY_KNEE_LIFTER	FOR DX7,DX5,DX-2000QVP			1
29	40144123	FOOT_CONTROLLER_(FOR_ABROAD)_ (ASM)				1
30	40068038	ASSY_WIDE_TABLE	FOR DX7,DX-2000QVP			1
31	40059204	WIDE_TABLE		*		1
32	A9503E50000	TABLE NON-SLIP		*		4
33	40070174	WIDE_TABLE_LEG		*		5
34	A9505E50000	SCREW		*		5
35	NM6050002SS	NUT M5		*		5
36	40163616	ALL_ASSY_HARD_CASE_X_SERIES	FOR DX7,DX5,DX-2000QVP			1
37	A9101550000	ACCESSORY BAG	FOR DX5,DX7			1
38	40163704	INSTRUCTION_MANUAL_DX(ITA)(FOR CE)	FOR DX5,DX7			1
39	A442101EZA0A	ELECTRIC POWER CORD ASM.(FOR UL)				1
40	A44219800AF	ELECTRIC POWER CORD(FOR CE)				1
41	40071949	POWER_CORD_SET_(ASM.)(FOR BS)				1
42	40166930	INSTRUCTION_MANUAL_DX2000QVP(ENG/SPA/FRA	FOR DX-2000QVP			1
43	40166931	INSTRUCTION_MANUAL_DX2000QVP(ENG)(FOR CE	FOR DX-2000QVP			1
44	40166932	INSTRUCTION_MANUAL_DX2000QVP(ITA)(FOR CE	FOR DX-2000QVP			1
45	40166925	ASSY_INSTRUCTION_MANUAL_DX2000QVP_PAL(FO	FOR DX-2000QVP			1
46	40166925	ASSY_INSTRUCTION_MANUAL_DX2000QVP_PAL(FO	FOR DX-2000QVP			1
47	40107467	ASSY_HARD_CASE	FOR DX3			1

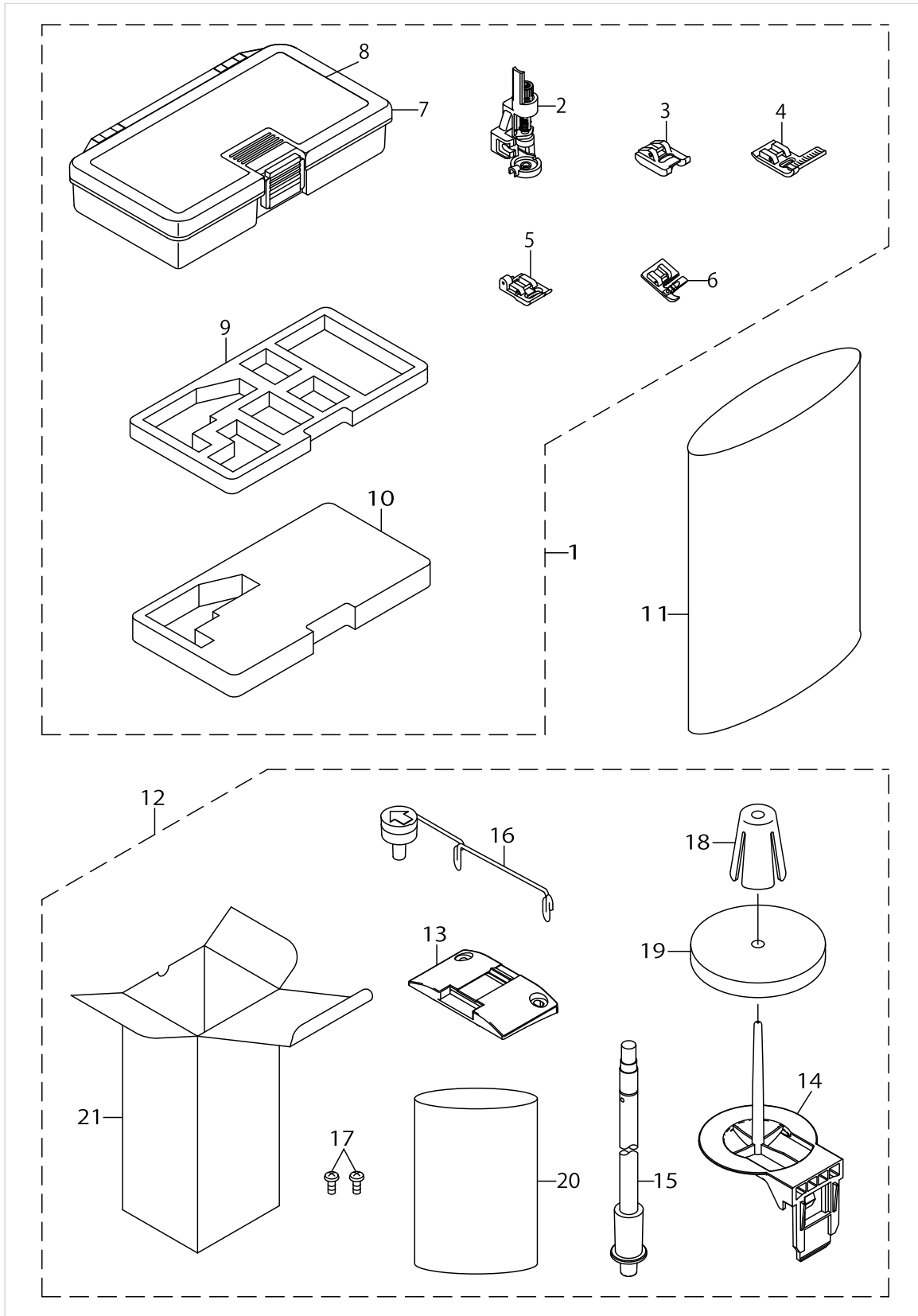
ACCESSORY PARTS COMPONENTS (1)



ACCESSORY PARTS COMPONENTS (1)

No.	Parts No.	Parts name	Remarks	Level	Cons	Qty
48	40176910	INSTRUCTION_MANUAL_DX3_(ENG)(FOR CE)	FOR DX3			1
49	40176911	INSTRUCTION_MANUAL_DX3_(ITA)(FOR IT)	FOR DX3			1
50	40177593	INSTRUCTION_MANUAL_DX3_(RUS)(CE2)	FOR DX3			1

ACCESSORY PARTS COMPONENTS (2)

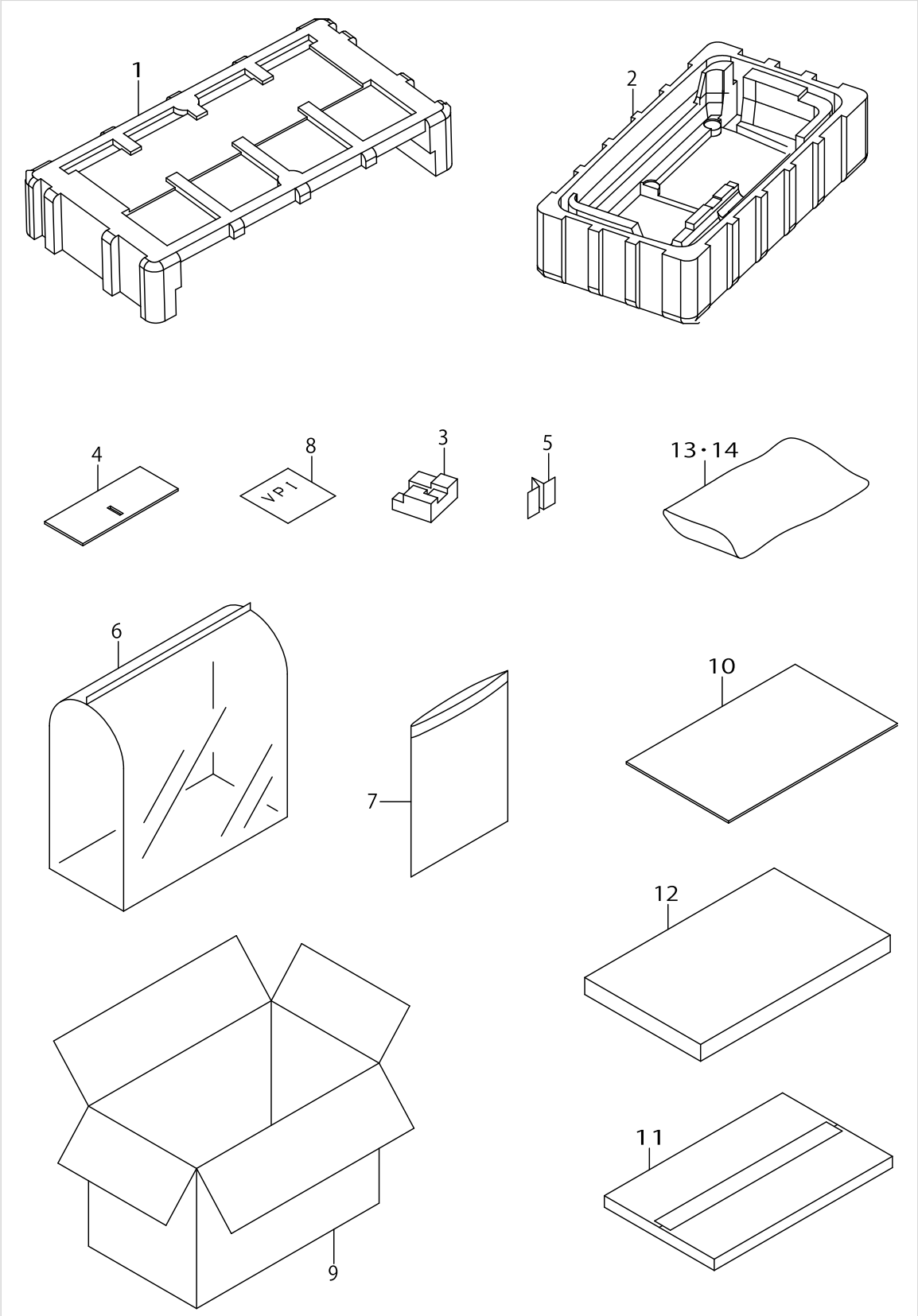


ACCESSORY PARTS COMPONENTS (2)

No.	Parts No.	Parts name	Remarks	Level	Cons	Qty
1	40167170	FOOT_SET_DX2000QVP	FOR DX-2000QVP			1
2	40067890	ASSY_FREE_MOTION_CORDING_FOOT	FOR DX-2000QVP	*		1
3	40079841	ASSY_PEARL_SEWING_FOOT	FOR DX-2000QVP	*		1
4	40068622	ASSY_STITCH_GUIDE_FOOT	FOR DX-2000QVP	*		1
5	40068015	ASSY_APPLIQUE_FOOT	FOR DX-2000QVP	*		1
6	A91298800A0	CORDING_FOOT	FOR DX-2000QVP	*		1
7	A0002ZZZ777	CASE	FOR DX-2000QVP	*		1
8	40166754	ACCESSORY_BOX_SEAL_QVP	FOR DX-2000QVP	*		1
9	40166922	ACCESSORY_BOX_SEAL_QVP_CUSHION	FOR DX-2000QVP	*		1
10	40166921	ACCESSORY_BOX_SEAL_QVP_CUSHION_INSIDE	FOR DX-2000QVP	*		1
11	40166923	CUSHION_BAG	FOR DX-2000QVP			1
12	40167171	SUNDING_SPOOL HOLDER_SET	FOR DX-2000QVP			1
13	40163899	SPOOL HOLDER_BASE	FOR DX-2000QVP	*		1
14	40164063	SPOOL HOLDER	FOR DX-2000QVP	*		1
15	40164064	THREAD_GUIDE_POST_ASSY	FOR DX-2000QVP	*		1
16	40164066	ASSY_THREAD_GUIDE	FOR DX-2000QVP	*		1
17	SM5041055SN	SCREW M4X10	FOR DX-2000QVP	*		2
18	A1120202000	SPOOL RETAINER	FOR DX-2000QVP	*		1
19	A9750779000	UPPER COVERING THR.SPOOL SEAT	FOR DX-2000QVP	*		1
20	J0231082A00	VINYL SHEET	FOR DX-2000QVP	*		1
21	40166924	SPOOL HOLDER_BOX	FOR DX-2000QVP	*		1



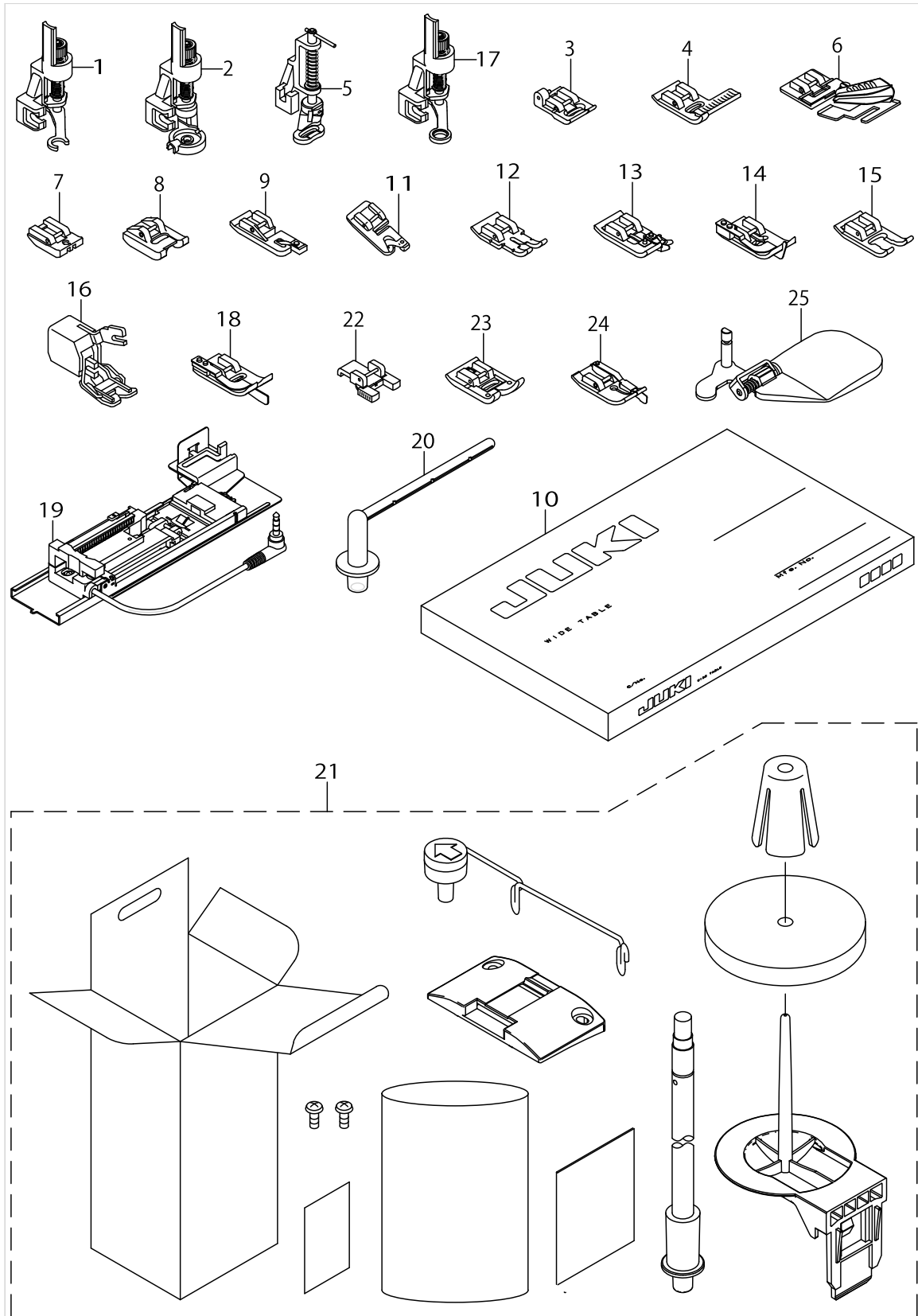
PACKING MATERIAL COMPONENTS



PACKING MATERIAL COMPONENTS

No.	Parts No.	Parts name	Remarks	Level	Cons	Qty
1	40078460	TOP_CUSHIONING	FOR DX7,DX5,DX-2000QVP			1
2	40078461	BOTTOM_CUSHIONING	FOR DX7,DX5,DX-2000QVP			1
3	40078462	TP_CUSHIONING				1
4	40075778	ACCESSORY_TRAY_SPONGE				1
5	40078479	THREAD_WAY_PLATE_PAPER				1
6	40090758	MACHINE COVER				2
7	A9181008000	VINYL				1
8	J0233500A00	VPI PAPER				1
9	40163629	COLOR_CARTON_CASE_DX_FOREIGN	FOR DX7,DX5			1
10	40079540	WIDE_TABLE_SPACER	FOR DX5			1
11	40069617	WT_PACKING_CASE	FOR DX7,DX-2000QVP			1
12	A9513E50000	VINYL BAG	FOR DX7,DX-2000QVP			1
13	A5101008X00	VINYL SHEET	FOR DX7,DX5,DX-2000QVP			1
14	40166927	COLOR_CARTON_CASE_DX2000QVP	FOR DX-2000QVP			1
15	40176908	COLOR_CARTON_CASE_DX3	FOR DX3			1
16	40172359	TOP_CUSHIONING	FOR DX3			1
17	40108226	CUSHIONING_BOTTOM	FOR DX3			1
18	40172360	CUSHIONING_CASE_A	FOR DX3			1
19	40172361	CUSHIONING_CASE_B	FOR DX3			1

OPTIONAL ACCESSORY PARTS COMPONENTS



OPTIONAL ACCESSORY PARTS COMPONENTS

No.	Parts No.	Parts name	Remarks	Level	Cons	Qty
1	40177014	BP_OPEN_QUILTING_FOOT_2				1
2	40177016	BP_FREE_MOTION_CORDING_FOOT_2				1
3	40080951	BP APPLIQUE FOOT				1
4	40080952	BP STITCH GUIDE FOOT				1
5	40080953	BP CLEAR QUILTING FOOT				1
6	40080954	FOLDING PLATE A RIGHT				1
7	40080955	BP INVISIBLE ZIPPER FOOT				1
8	40080956	BP PEARL SEWING FOOT				1
9	40080957	BP ZIG ZAG ROLLED HEMMING FOOT				1
10	40078483	WIDE_TABLE_SET				1
11	40080958	BP ROLLED HEMMING FOOT				1
12	40080959	BP PACHWORK FOOT				1
13	40080960	BP OVERCASTING FOOT				1
14	40080961	BP BLINDSTITCH FOOT				1
15	40080962	BP OPEN TOE FOOT				1
16	40080963	BP EVEN FEED FOOT				1
17	40177011	BP_QUILTING_FOOT_2				1
18	40080965	BP EDGE STITCH FOOT				1
19	40080966	BP BH PRESSER FOOT				1
20	40080967	BP AUXILIARY SPOOL PIN				1
21	40163897	SPOOL_HOLDER_SET				1
22	40080969	BP BUTTON SEWING FOOT				1
23	40079312	BLISTER BAG ASM(DEC STTICH FOOT)				1
24	40164071	BP_1/4_INCH_FOOT				1
25	40164074	BP_MAGNIFIER				1

## HOW TO MAKE USE OF THIS PARTS LIST

- 1.As to "#01" and "#02" refer to the "Note" given at the bottom of the respective pages.
- 2.Codes on the "Qty" column
  - Each numeral indicates the number of parts required.
  - "0.1" and "2.5" indicate the length (in meters) of the respective parts.
- 3.Parentheses mean that the corresponding part is a subpart that constructs an assembly part.
- 4.Dotted lines on the Figures indicate assembly parts.

# NUMERICAL INDEX OF PARTS

PART NO	PAGE	REF NO.	PART NO	PAGE	REF NO.	PART NO	PAGE	REF NO.
001141000000	26	43	40053610	28	18	40055520	22	45
001141000000	42	21	40053611	28	24	40055521	24	79
021112002000	26	33	40053612	28	21	40055522	24	53
041207008000	26	46	40053616	28	25	40055524	24	51
174803004000	32	44	40053628	30	67	40055526	24	70
174804008000	22	25	40053632	30	65	40055527	24	71
40051255	12	46	40053636	30	66	40055528	24	72
40051275	40	3	40053637	30	64	40055530	24	57
40053424	38	20	40053641	30	57	40055531	24	60
40053425	38	5	40053677	36	5	40055532	24	61
40053426	38	3	40053683	2	33	40055533	24	62
40053427	38	18	40053685	2	22	40055539	24	67
40053429	38	19	40055371	32	8	40055557	18	68
40053446	38	8	40055376	34	58	40055561	32	39
40053454	26	38	40055383	32	32	40055676	18	55
40053456	26	13	40055384	32	33	40055795	38	13
40053469	10	17	40055385	34	61	40055796	30	70
40053472	40	10	40055387	16	2	40055811	12	38
40053474	40	22	40055391	16	1	40055812	12	39
40053475	40	26	40055395	18	67	40055812	18	63
40053476	40	19	40055396	34	53	40055813	12	40
40053479	10	32	40055397	34	54	40055819	14	65
40053486	10	16	40055400	32	41	40055821	14	53
40053493	10	6	40055401	4	34	40055822	14	55
40053495	26	8	40055402	16	13	40055823	14	56
40053497	12	13	40055403	16	14	40055824	14	57
40053498	12	14	40055404	16	17	40055825	10	8
40053499	18	50	40055405	16	18	40055826	26	10
40053505	18	53	40055406	16	19	40055827	12	41
40053516	12	21	40055408	18	70	40055828	12	45
40053517	12	22	40055409	16	16	40055830	40	9
40053520	32	1	40055412	16	21	40056010	22	38
40053525	32	7	40055420	32	34	40056529	16	24
40053526	32	10	40055426	16	32	40056541	40	17-18
40053528	32	26	40055433	16	36	40056552	40	32
40053532	32	12	4005549	22	1	40056554	2	1
40053581	28	6	40055499	22	3	40056558	24	56
40053584	30	53	40055501	22	32	40056861	10	33
40053585	30	51	40055502	22	27	40056945	12	32
40053586	28	9	40055504	22	4	40056969	18	69
40053587	28	11	40055505	22	15	40056970	12	18
40053598	28	13	40055507	22	22	40056975	26	39
40053602	28	16	40055513	22	20	40056976	26	40
40053603	28	19	40055517	22	39	40057150	8	4
40053604	28	30	40055519	22	46	40057187	10	20

# NUMERICAL INDEX OF PARTS

PART NO	PAGE	REF NO.	PART NO	PAGE	REF NO.	PART NO	PAGE	REF NO.
40057188	10	21	40062143	40	7	40076146	36	10
40057189	10	22	40062144	16	27	40076391	16	11
40057190	10	23	40062407	12	27	40078460	48	1
40057289	42	23	40062500	2	5	40078461	48	2
40057334	24	76	40062518	10	27	40078462	48	3
40057335	24	52	40064224	16	23	40078479	48	5
40057355	10	28	40064567	38	11	40078483	50	10
40057384	10	36	40064572	6	48	40078681	28	40
40057397	6	57	40064573	32	21	40078685	30	74
40057922	2	27	40064703	16	25	40078686	30	72
40057922	40	6	40064704	32	31	40078690	30	75
40057923	16	26	40064997	26	37	40079000	40	15・16
40057960	40	31	40065563	2	7	40079178	14	51
40057974	32	28	40065631	8	11	40079312	50	23
40057983	10	12	40065718	28	3	40079540	48	10
40057984	42	4	40065720	36	15	40079605	16	40
40057990	2	26	40066024	40	8	40079606	16	43
40057991	2	43	40066124	32	4	40079841	46	3
40057991	20	24	40066193	32	47	40080420	26	16
40058088	4	42	40066195	32	46	40080951	50	3
40058089	42	10	40066691	24	54	40080952	50	4
40058407	32	30	40067261	20	3	40080953	50	5
40058553	40	23	40067261	28	47	40080954	50	6
40058626	26	17	40067671	30	49	40080955	50	7
40059118	42	12	40067890	46	2	40080956	50	8
40059122	42	7	40068015	46	5	40080957	50	9
40059124	42	5	40068038	42	30	40080958	50	11
40059126	42	2	40068622	46	4	40080959	50	12
40059168	4	16	40069617	48	11	40080960	50	13
40059204	42	31	40070174	42	33	40080961	50	14
40059209	2	35	40070239	2	13	40080962	50	15
40059215	2	25	40070255	42	28	40080963	50	16
40059240	4	41	40070284	4	33	40080965	50	18
40059244	6	60・66	40070286	32	42	40080966	50	19
40059245	4	35	40070288	18	48	40080967	50	20
40059249	2	2	40071949	42	39~41	40080969	50	22
40060527	16	33	40071969	22	35	40081293	26	15
40060607	22	37	40071970	22	6	40083061	42	11
40060608	26	18	40071971	22	7	40084023	36	20
40061618	18	71	40071972	22	8	40084331	38	1
40061796	36	12	40071973	22	9	40084595	4	26・63
40062034	6	49	40072395	2	11	40085940	40	25
40062044	32	22	40075778	48	4	40090758	48	6
40062047	32	23	40075804	42	22	40091946	4	20
40062048	32	24	40076145	36	9	40097677	36	13

# NUMERICAL INDEX OF PARTS

PART NO	PAGE	REF NO.	PART NO	PAGE	REF NO.	PART NO	PAGE	REF NO.
40097679	36	24	40145842	30	62	40162365	6	61·62
40097680	36	7	40150471	40	17·18	40162367	2	18
40098262	12	34	40152349	2	16	40162369	4	31
40098263	12	47	40160143	8	8	40162912	8	7
40098264	12	42	40160145	28	39	40163131	16	46
40098265	14	54	40160146	2	8	40163132	28	45
40098266	14	59	40160146	8	2	40163133	20	2
40098267	14	60	40160147	2	10	40163152	4	2
40098268	14	61	40160147	4	46	40163159	18	66
40098269	14	62	40160147	8	5	40163170	4	17
40099886	26	6	40160147	28	38	40163171	4	21·22
40107462	6	26·63	40160192	28	31	40163172	4	21·22
40107467	42	47	40160743	12	33	40163174	40	2
40107895	2	3	40161187	34	55	40163183	8	27
40107901	10	1	40161206	12	30	40163190	4	23
40107914	22	10	40161989	32	11	40163191	16	42
40107915	22	16	40162294	4	1·30	40163192	16	29
40107916	22	21	40162295	4	1·30	40163195	30	55
40107917	22	26	40162299	2	9	40163198	20	6
40107918	22	28	40162302	34	56	40163202	4	37·38
40107919	22	33	40162305	4	7	40163203	4	37·38
40107921	22	43	40162308	4	8	40163616	42	36
40107924	24	59	40162311	4	11	40163619	10	2
40107929	26	1	40162314	4	9	40163629	48	9
40108226	48	17	40162315	4	10	40163691	2	30
40108609	12	43	40162316	4	12	40163692	2	39
40108610	12	44	40162317	4	5	40163693	2	40
40108611	14	49	40162318	4	18·19·64	40163698	8	1
40108612	12	36	40162321	4	18·19·64	40163699	12	5
40110164	42	13	40162324	4	3	40163700	42	24·25·38- ·42~44
40110165	42	15	40162325	4	24			
40112878	32	9	40162326	12	25	40163704	42	24·25·38- ·42~44
40115936	34	62	40162327	12	29	40163748	8	31
40116031	36	14	40162328	4	14	40163751	8	19
40121860	12	4	40162329	16	30	40163756	8	22
40135933	4	15	40162333	36	19	40163758	8	15
40135998	28	37	40162335	36	4	40163759	8	16
40136001	28	1	40162336	2	32	40163760	12	6
40136004	28	8	40162337	2	34	40163761	12	7
40136005	28	12	40162339	2	36	40163762	14	67
40136007	28	27	40162341	2	17	40163763	14	68
40136008	28	33	40162342	2	19	40163764	12	2
40136009	28	35	40162347	4	27·28·65	40163778	14	69
40137570	4	13	40162349	4	27·28·65	40163779	14	63
40144123	42	29	40162363	6	61·62	40163780	16	44



NUMERICAL INDEX OF PARTS

PART NO	PAGE	REF NO.	PART NO	PAGE	REF NO.	PART NO	PAGE	REF NO.
40163782	18	58	40166324	8	30	A0002ZZZ777	46	7
40163784	16	5	40166752	6	27·28·65	A1111A85000	8	12
40163785	16	7	40166754	46	8	A1114010000A	8	9
40163787	16	8	40166868	6	18·19·64	A1119010000	8	6
40163788	16	22	40166891	40	27·28	A1120202000	46	18
40163790	18	62	40166921	46	10	A1138335000	8	24
40163792	18	64	40166922	46	9	A1138335000	26	42
40163795	28	44	40166923	46	11	A1139030Z00	6	55
40163797	30	61	40166924	46	21	A114501SZ00	42	20
40163854	34	60	40166925	42	26·27·45- ·46	A1145E50000	4	43
40163859	38	17	40166927	48	13·14	A1146E50000	4	6
40163860	38	7	40166930	42	24·25·38- ·42~44	A1150980000	42	19
40163861	38	10	40166931	42	24·25·38- ·42~44	A1159770000	2	42
40163871	20	1	40166932	42	24·25·38- ·42~44	A1159770000	20	23
40163877	20	14	40166932	42	24·25·38- ·42~44	A1203030000	22	18
40163880	20	16	40167170	46	1	A1203030000	26	4
40163881	20	18	40167171	46	12	A1223010000	10	38
40163882	20	20	40170866	20	8	A1427010000A	12	19
40163883	20	22	40170867	20	10	A1448010000	14	64
40163884	40	1	40170868	20	12	A1456008000A	18	51
40163885	8	25	40171590	38	9	A1458A85000	12	37
40163886	8	26	40171601	8	14	A1624010000	22	40
40163897	50	21	40171604	8	17	A1646010000	18	57
40163899	46	13	40171605	8	18	A1650008000A	24	65
40163903	42	26·27·45- ·46	40172321	2	41	A1651008000	24	68
40163906	10	19	40172359	48	16	A1658008000	24	69
40163909	42	26·27·45- ·46	40172360	48	18	A18090310A0	26	31
40163917	42	24·25·38- ·42~44	40172361	48	19	A1810E60000	26	2
40164063	46	14	40173188	42	3	A18300310A0	26	25
40164064	46	15	40174532	36	3	A1830E800B0	26	24
40164066	46	16	40174537	36	2	A1830E800C0	26	23
40164071	50	24	40176891	6	67	A1831031000	26	28
40164074	50	25	40176893	6	68	A1832008000	26	26
40164099	40	15·16	40176895	6	69	A1833E50000	26	30
40164220	26	12	40176897	6	70	A1840009000	26	19
40164579	8	21	40176901	6	71	A1841S56000	26	20
40164580	8	20	40176908	48	15	A1843030000	26	21
40164851	12	1	40176910	44	48	A1844030000	26	22
40164853	12	3	40176911	44	49	A2110700000	16	35
40164893	40	27·28	40177011	50	17	A2110700000	24	66
40164903	10	24	40177014	50	1	A2110700000	32	6
40166174	2	38	40177016	50	2	A3171T50000	32	15
40166304	6	60·66	40177593	44	50	A3172T50000	32	16
						A3173E500A0	32	14
						A3173E500B0	32	13

# NUMERICAL INDEX OF PARTS

PART NO	PAGE	REF NO.	PART NO	PAGE	REF NO.	PART NO	PAGE	REF NO.
A3175T70000	32	17	PS0200082KP	28	10	SL4030891SC	4	29
A3205555A00	2	12	PS0200122KP	22	73	SL4030891SC	16	52
A3205555A00	4	47	PS0200122KP	24	73	SL4030891SC	18	52
A3205555A00	24	77	PS0200182KP	32	2	SL4030891SC	28	29
A3233731000	6	52	PS0400222KP	10	3	SL4031091SC	16	28
A3234550000	6	50	RC0370411KP	10	26	SL4032081SC	36	6
A3235030Z00A	6	51	RE0150000K0	28	17	SL4040691SC	12	24
A3236880000	6	53	RE0200000K0	12	17	SL4051485SE	40	12
A3237880000	6	54	RE0200000K0	28	41	SL5030531SF	18	61
A343301SZ00	38	2	RE0200000K0	32	35	SL5030531SF	20	7
A3811550000	4	39	RE0300000K0	12	48	SL5030531SF	30	56
A3811550000	40	14	RE0300000K0	14	48	SL5040835SN	34	64
A3910634000B	32	3	RE0300000K0	16	3	SL6030692TN	24	81
A407855000B	40	30	RE0300000K0	22	13	SL6041692TN	26	9
A442101EZA0A	42	39~41	RE0300000K0	28	73	SM1030601SN	2	21
A44219800AF	42	39~41	RE0300000K0	30	73	SM1040801SN	16	39
A5101008X00	48	13·14	RE0300000K0	32	45	SM4020201SC	8	3
A9101550000	42	1·37	RE0300000K0	38	16	SM4020301SC	8	10
A9103880000	42	9	RE0400000K0	2	4	SM4020401SC	24	63
A9110700000	42	16	RE0400000K0	10	34	SM4030301SC	38	4
A9121503000A	42	1·37	RE0400000K0	16	59	SM4831001SF	34	63
A91298800A0	46	6	RE0400000K0	18	59	SM5020301SC	26	41
A9131990000	42	17	RE0400000K0	20	11	SM5020501SC	8	13
A91330100A0	42	14	RE0400000K0	22	31	SM5020855SN	12	10
A9134550000	42	8	RE0400000K0	28	68	SM5020855SN	36	18
A9137956000	42	18	RE0400000K0	30	68	SM5030455SF	16	47
A9181008000	48	7	RE0400000K0	36	21	SM5030455SF	20	21
A920101S0A0A	42	6	RE0400000K0	40	4	SM5030455SF	28	46
A9503E50000	42	32	RE0500000K0	20	17	SM5030455SF	32	37
A9505E50000	42	34	RE0500000K0	24	78	SM5030455SF	36	17
A9513E50000	48	12	RE0500000K0	30	69	SM5030655SN	8	28
A9750779000	46	19	RE0600000K0	10	25	SM5030655SN	12	70
CM300200001	34	52	RE0700000K0	22	17	SM5030655SN	14	70
CS1000881TP	10	4	RE0700000K0	26	3	SM5030655SN	16	56
HA00325000B	36	16	RE0800000K0	10	15	SM5030655SN	18	56
J0231082A00	46	20	RE0800000K0	24	48	SM5030655SN	22	36
J0233500A00	48	8	RE400000K0	24	55	SM5030655SN	26	35
MHA100B1400	12	11	RO133170100	10	7	SM5030655SN	28	63
NM6030002SF	28	4	SL4020491SC	36	11	SM5030655SN	30	63
NM6030002SF	32	5	SL4030591SC	34	57	SM5030655SN	32	29
NM6030002SF	36	22	SL4030691SC	4	58	SM5030655SN	36	8
NM6040002SF	12	9	SL4030691SC	6	58	SM5031001SE	32	48
NM6050002SS	42	35	SL4030691SC	16	41	SM5031001SE	34	48
PH0300182C0	4	44	SL4030691SC	28	50	SM5040655SN	8	29
PS0200082KP	22	2	SL4030691SC	30	50	SM5040655SN	18	65

NUMERICAL INDEX OF PARTS

PART NO	PAGE	REF NO.	PART NO	PAGE	REF NO.
SM5040655SN	20	19	ST5031051SN	6	56
SM5040855	22	47	ST5031051SN	40	21
SM5040855SN	2	44	ST5031251SF	2	31
SM5040855SN	4	59	ST5031251SF	4	4
SM5040855SN	6	59	ST5041051SN	36	1
SM5040855SN	10	35	WP0210516SD	24	64
SM5040855SN	12	28	WP0260116RZ	8	23
SM5040855SN	16	45	WP0260116RZ	32	18
SM5040855SN	20	25	WP0310516RZ	28	42
SM5040855SN	22	44	WP0320501SC	32	36
SM5040855SN	26	44	WP0330816SF	12	26
SM5040855SN	28	71	WP0330816SF	16	4
SM5040855SN	30	71	WP0330816SF	34	49
SM5040855SN	32	51	WP0410516RZ	22	14
SM5040855SN	34	51	WP0410516RZ	28	23
SM5040855SN	38	14	WP0410516RZ	38	15
SM5040855SN	40	13	WP0430801SC	32	40
SM5041055SN	40	29	WP0520216RZ	40	11
SM5041055SN	46	17	WP0520516RZ	18	72
SM5041455SN	10	31	WP0520516RZ	22	29
SM5041455SN	22	42	WP0520516RZ	30	59
SM5051255SN	38	6	WP0611016RZ	20	13
SM8030312TP	2	14	WP0620516RZ	26	45
SM8030312TP	10	29	WP0621016SD	24	80
SM8030312TP	12	66	WP1021016SD	24	50
SM8030312TP	14	66	WZ0320290UZ	12	15
SM8030312TP	18	49	WZ1052010KP	24	49
SM8030312TP	20	4			
SM8030312TP	24	58			
SM8030312TP	28	52			
SM8030312TP	30	52			
SM8030312TP	36	23			
SM8030612TP	22	41			
SM8030612TP	40	5			
SM8040412TP	12	20			
SM8040412TP	22	75			
SM8040412TP	24	75			
SM8040412TP	26	34			
SM8050512TP	10	37			
SM8050602TP	16	20			
ST5030851SN	2	37			
ST5030851SN	14	58			
ST5030851SN	34	59			
ST5030851SN	40	24			
ST5031051SN	4	56			