

MODEL : MO-1000/MO-2000QVP

List No : 6028-03

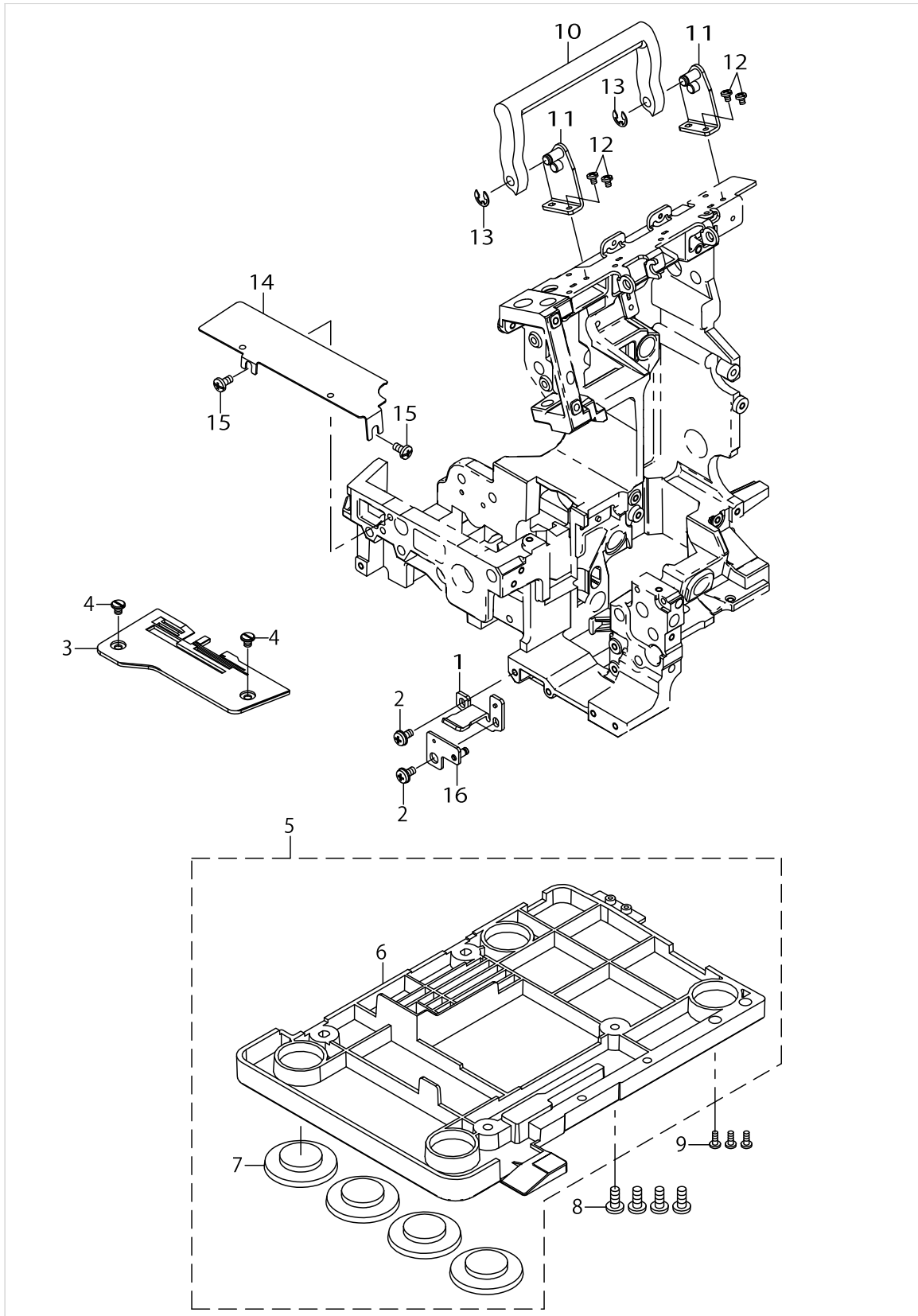
PARTS LIST

Published:09/10/2017

CONTENTS

MISCELLANEOUS COVER COPMONENTS (1).....	1
MISCELLANEOUS COVER COPMONENTS (2).....	3
MISCELLANEOUS COVER COPMONENTS (3).....	5
PRESSER COMPONENTS.....	9
NEEDLE BAR & MAIN SHAFT COMPONENTS.....	11
NEEDLE THREADING COMPONENTS.....	13
FEED MECHANISM.....	15
LOOPER & NEEDLE GUARD COMPONENTS.....	21
LOOPER THREADING COMPONENTS.....	25
KNIFE DRIVE COMPONENTS.....	29
STITCH TONGUE COMPONENTS.....	33
THREAD TENSION COMPONENTS.....	35
TRANSMISSION & MOTOR COMPONENTS.....	37
LCD COMPONENTS (FOR MO-1000ML,MO-2000QVP).....	41
ACCESSORIE PARTS COMPONENTS.....	43
OPTION COMPONENTS.....	45
HOW TO MAKE USE OF THIS PARTS LIST.....	47

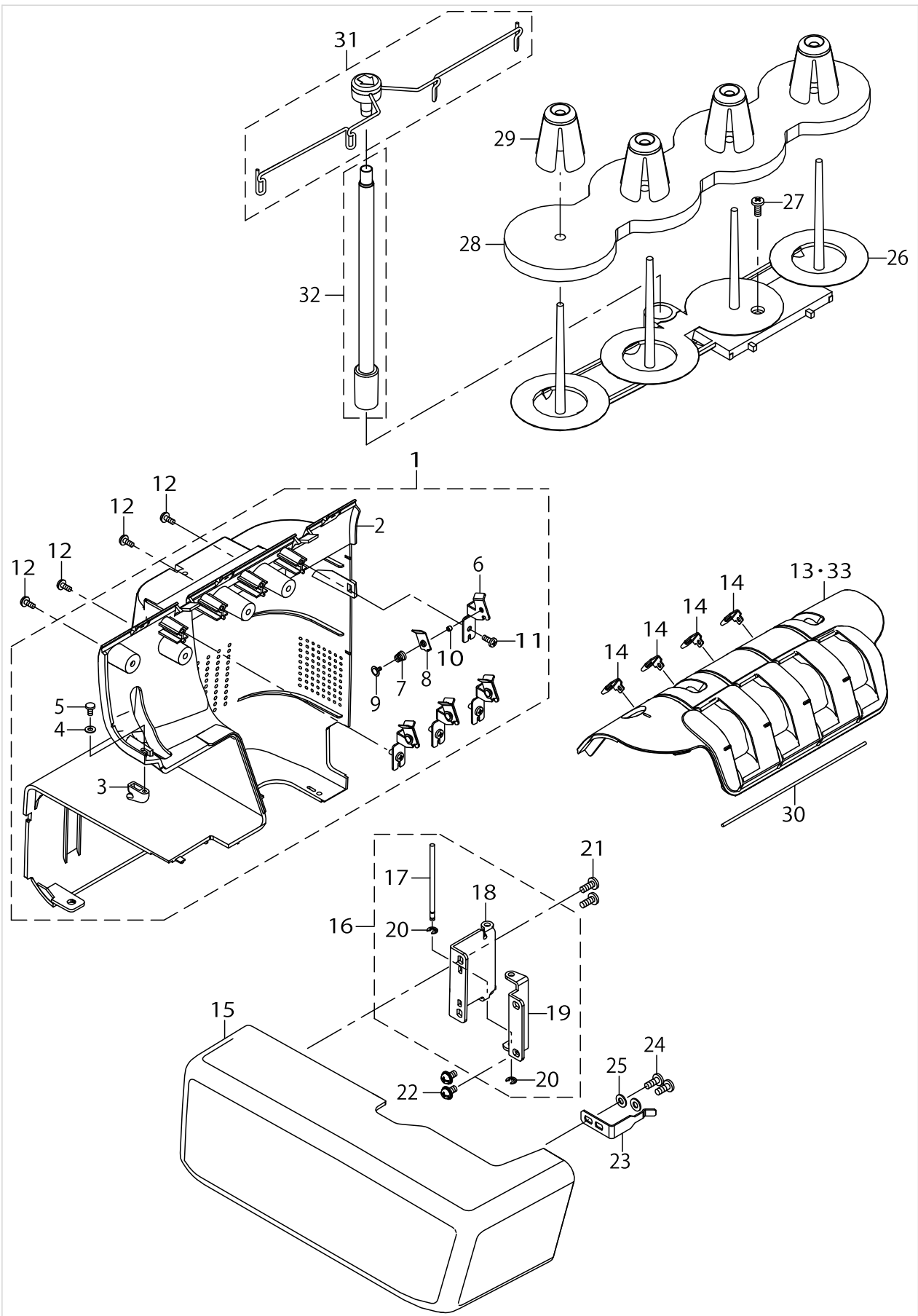
MISCELLANEOUS COVER COPMONENTS (1)



MISCELLANEOUS COVER COPMONENTS (1)

No.	Parts No.	Parts name	Remarks	Level	Cons	Qty
1	40143819	CLOTH_PLATE_PRESSER_PLATE				1
2	SL5040835SN	SCREW M4 L=8				2
3	40134941	NEEDLE_PLATE_ASM				1
4	A1138335000	THROAT PLATE SETSCREW				2
5	40136212	BASE PLATE ASM.				1
6	40134021	BASE_PLATE		*		1
7	A1123535000	SUCTION FEET		*		4
8	SM5051255SN	SCREW				4
9	ST5030851SN	SCREW M5X8				3
10	A1145110000	HANDLE				1
11	40134395	HANDLE_BRACKET_ASSY				2
12	SM5030455SF	SCREW M3 L=4				4
13	RE0500000K0	E-RING				2
14	A1135535000	OP COVER				1
15	SM5040855SN	SCREW				2
16	40143822	KNIFE_DRIVE_ROD_SPRING_PIN_ASSY				1

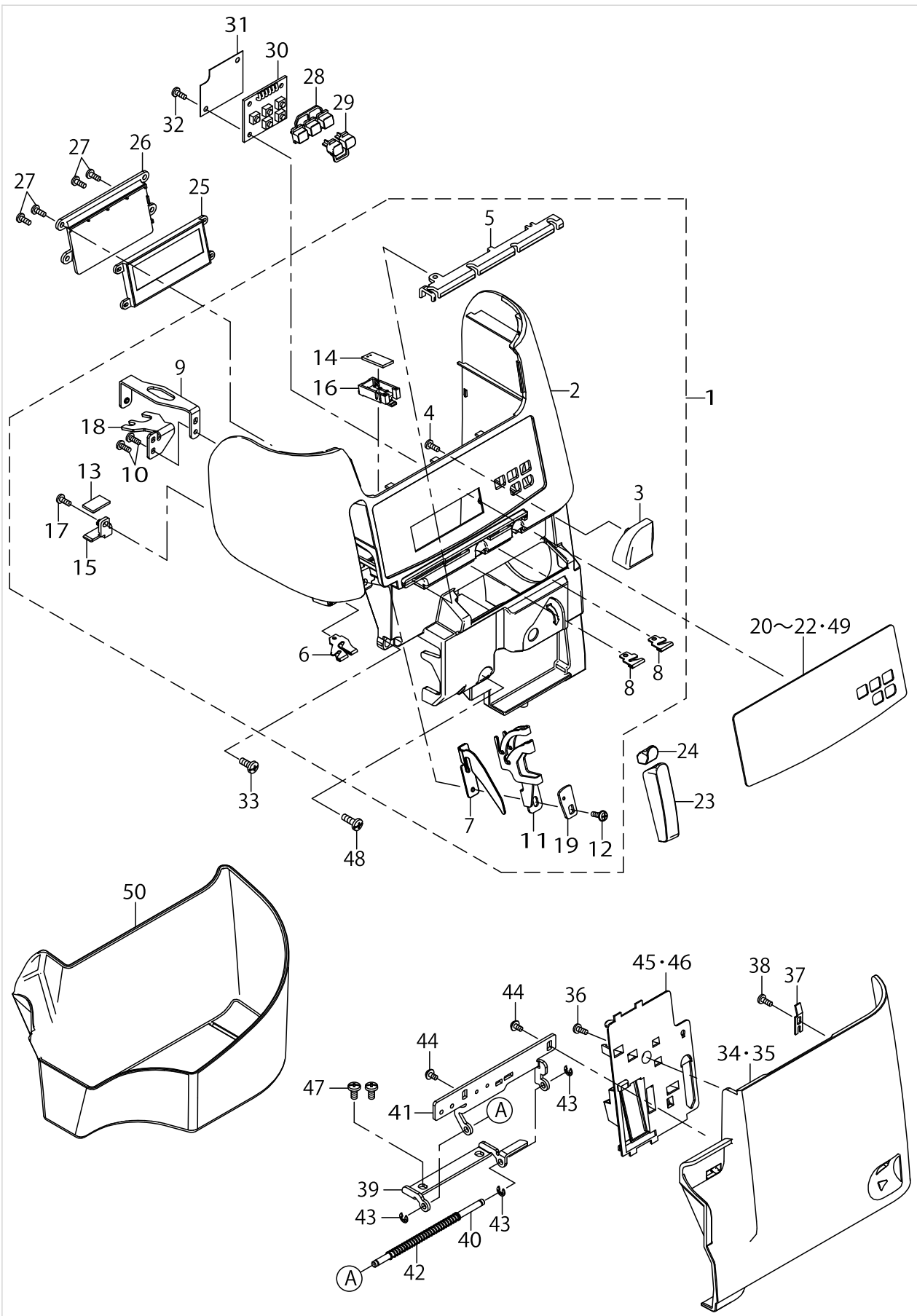
MISCELLANEOUS COVER COPMONENTS (2)



MISCELLANEOUS COVER COPMONENTS (2)

No.	Parts No.	Parts name	Remarks	Level	Cons	Qty
1	40136215	REAR_COVER_MO-1000_ASSY				1
2	40134040	REAR_COVER		*		1
3	A11381100A0	THREAD CUTTER BASE PLATE		*		1
4	WP0320501SC	WASHER M3		*		1
5	ST5030651SR	TAPPING SCREW D=3 L=6		*		1
6	40134326	FIRST_THREAD_GUIDE_BASE		*		4
7	40143792	1ST_THREAD_GUIDE_SPRING		*		4
8	A3171800000	1ST THREAD GUIDE DISK		*		4
9	A3107776000A	SCREW		*		4
10	A3176776000	1ST THREAD GUIDE COLLAR		*		4
11	ST5030851SN	SCREW M5X8		*		4
12	SL5030831SF	SCREW M3 L=8				4
13	40134046	TOP_COVER				1
14	40134328	THREAD_GUIDE				4
15	40139918	CLOTH_PLATE				1
16	40135001	CLOTH_PLATE_HINGE_ASM				1
17	40135002	CLOTH_PLATE_HINGE_SHAFT		*		1
18	40135003	CLOTH_PLATE_HINGE_A		*		1
19	40135004	CLOTH_PLATE_HINGE_B		*		1
20	RE0300000K0	E-RING 3		*		2
21	ST5041051SN	SCREW				2
22	SL4040855SN	SCREW M4 L=8				2
23	A1160634000	CLOTH PLATE OPENING SPRING				1
24	ST5041051SN	SCREW				2
25	WP0430801SC	WASHER M4				2
26	A1118776000B	SPOOL HOLDER				1
27	ST5041051SN	SCREW				1
28	A1121776000	FOAM PAD				1
29	A1120202000	SPOOL RETAINER				4
30	A1421776000	SECOND THREAD GUIDE				1
31	A11211100A0	SPOOL HOLDER THR.GUIDE ASM.				1
32	A11207760A0B	SUPPORTING ROD ASM.				1
33	40166567	TOP_COVER_MO2000QVP	FOR MO-2000QVP			1

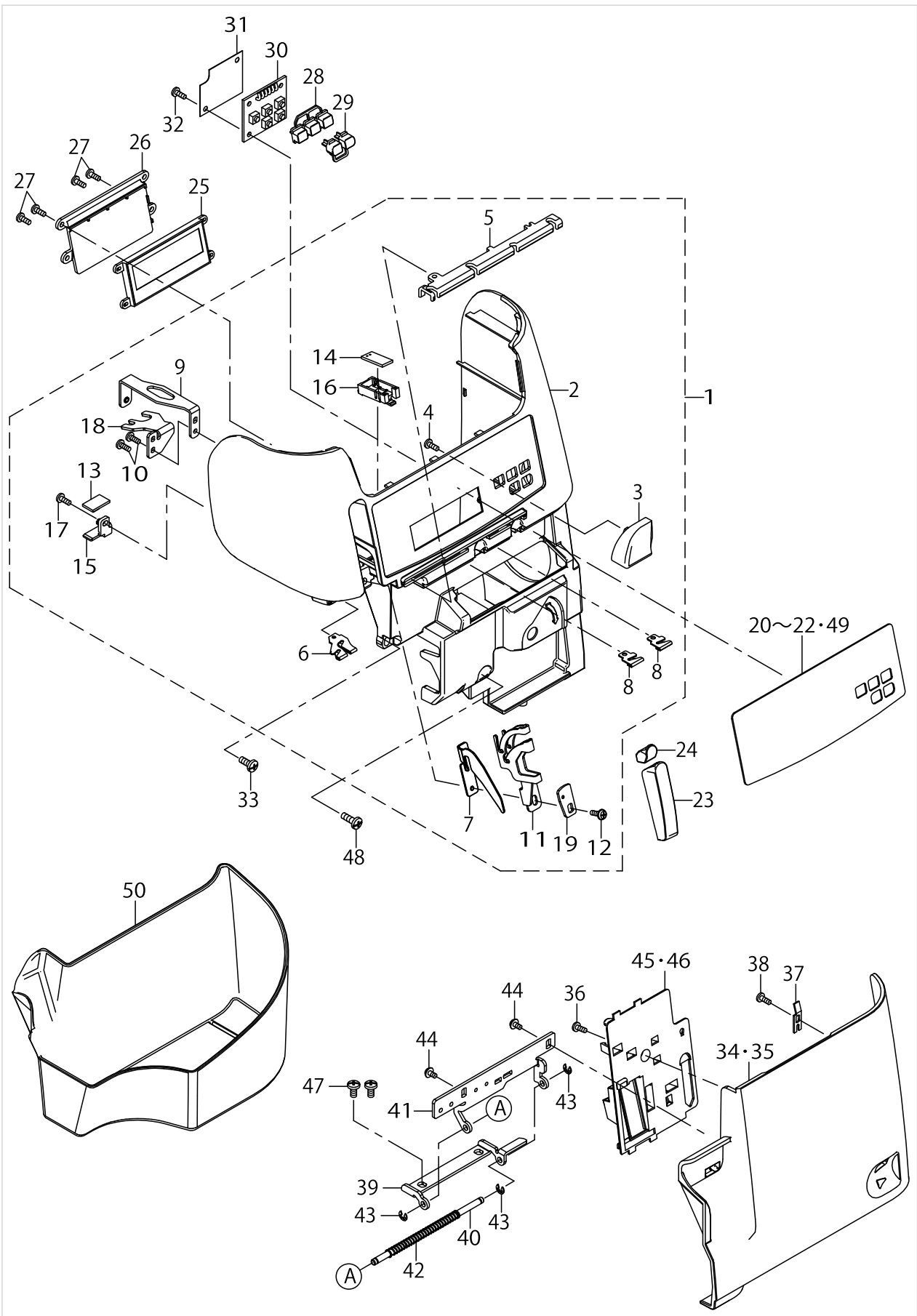
MISCELLANEOUS COVER COPONENTS (3)



MISCELLANEOUS COVER COPMONENTS (3)

No.	Parts No.	Parts name	Remarks	Level	Cons	Qty
1	40136206	FRONT_COVER_MO-1000_ASSY				1
2	40134022	FRONT_COVER		*		1
3	A1152110000	LOOPER COVER GUIDE PLATE		*		1
4	ST5030851SN	SCREW M5X8		*		1
5	A3110130000	THREAD_GUIDE A		*		1
6	40134322	NEEDLE_THREAD_GUIDE_B		*		1
7	40134323	NEEDLE_THREAD_GUIDE_PLATE		*		1
8	A3110202000	THREAD GUIDE B		*		2
9	40134324	COVER_BRACKET		*		1
10	ST5031051SN	TAPPING SCREW		*		2
11	40134325	THREAD_TAKE_UP_GUIDE		*		1
12	SL5031031SN	SCREW M3 L=10		*		1
13	40134563	LED_PCB_A_ASSY		*		1
14	40134564	LED_PCB_B_ASSY		*		1
15	40134077	LED_LAMP_COVER_A		*		1
16	40134078	LED_LAMP_COVER_B		*		1
17	ST5030851SN	SCREW M5X8		*		1
18	40140665	FRONT COVERBRACKET L		*		1
19	A2538554000	PLATE		*		1
20	40134037	OPERATION_PANEL_MO-1000	FOR MO-1000			1
21	40134034	OPERATION_PANEL_MO-1000M	FOR MO-1000M			1
22	40134031	OPERATION_PANEL_MO-1000ML	FOR MO-1000ML			1
23	40134025	TAKE_UP_COVER_A				1
24	40134028	TAKE_UP_COVER_B				1
25	40134484	LCD MODULE	FOR MO-1000ML,MO-2000QVP			1
26	40134069	LCD_BRACKET	FOR MO-1000ML,MO-2000QVP			1
27	ST5030851SN	SCREW M5X8	FOR MO-1000ML,MO-2000QVP			4
28	40134070	FUNCTION_BUTTON	FOR MO-1000ML,MO-2000QVP			1
29	40134073	PATTERN_SELECT_BUTTON	FOR MO-1000ML,MO-2000QVP			1
30	40131834	SW_PCB_ASSY	FOR MO-1000ML,MO-2000QVP			1
31	40135476	INSULATION_SHEET	FOR MO-1000ML,MO-2000QVP			1
32	ST5030851SN	SCREW M5X8	FOR MO-1000ML,MO-2000QVP			3
33	SM5041055SN	SCREW M4X10				1
34	40166586	LOOPER_COVER_MO-2000QVP_ASSY	FOR MO-2000QVP			1
35	40136217	LOOPER_COVER_ASSY				1
36	ST5030851SN	SCREW M5X8				1
37	A1156776000	LOOPER COVER ADJUSTING PLATE				1
38	ST5030851SN	SCREW M5X8				1
39	40134327	LOOPER_COVER_HINGE_A				1
40	A1154110000	LOOPER_COVER_HINGE				1
41	A1155110000	LOOPER_COVER_HINGE_B				1
42	A1130535000	SPRING				1
43	RE0300000K0	E-RING 3				3
44	SL4030631SC	SCREW M3 L=6				2
45	40138126	ACCESSORY_HOLDER_A	FOR MO-1000M,MO-1000ML			1
46	A1157776000	ACCESSORY_HOLDER	FOR MO-1000,MO-2000QVP			1
47	SM5040855SN	SCREW				2

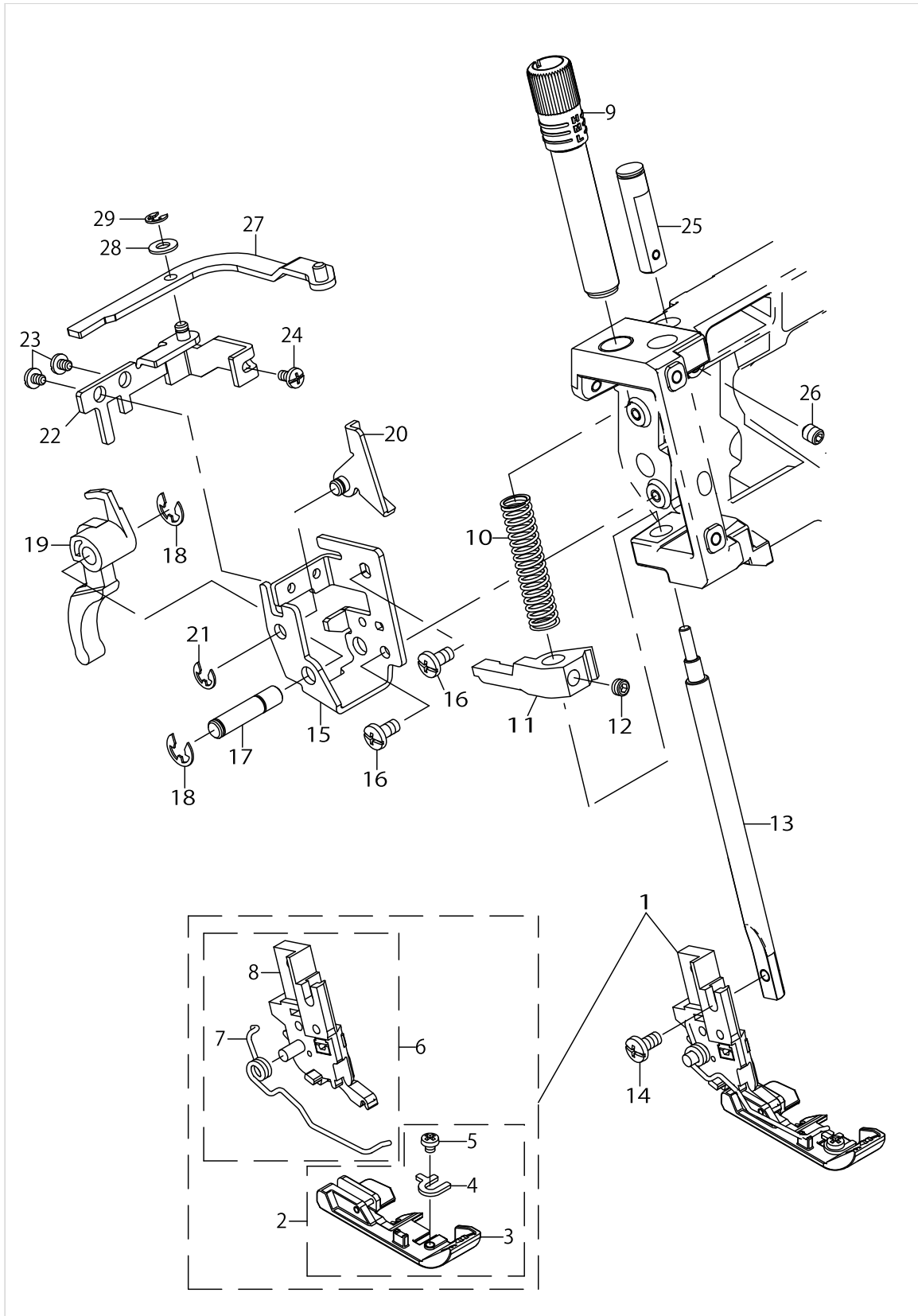
MISCELLANEOUS COVER COPONENTS (3)



MISCELLANEOUS COVER COPMONENTS (3)

No.	Parts No.	Parts name	Remarks	Level	Cons	Qty
48	SM5041255SN	SCREW M4 L=12				1
49	40166565	OPERATION_PANEL_MO-2000QVP	FOR MO-2000QVP			1
50	40134096	WASTE_COLLECTOR				1

PRESSER COMPONENTS



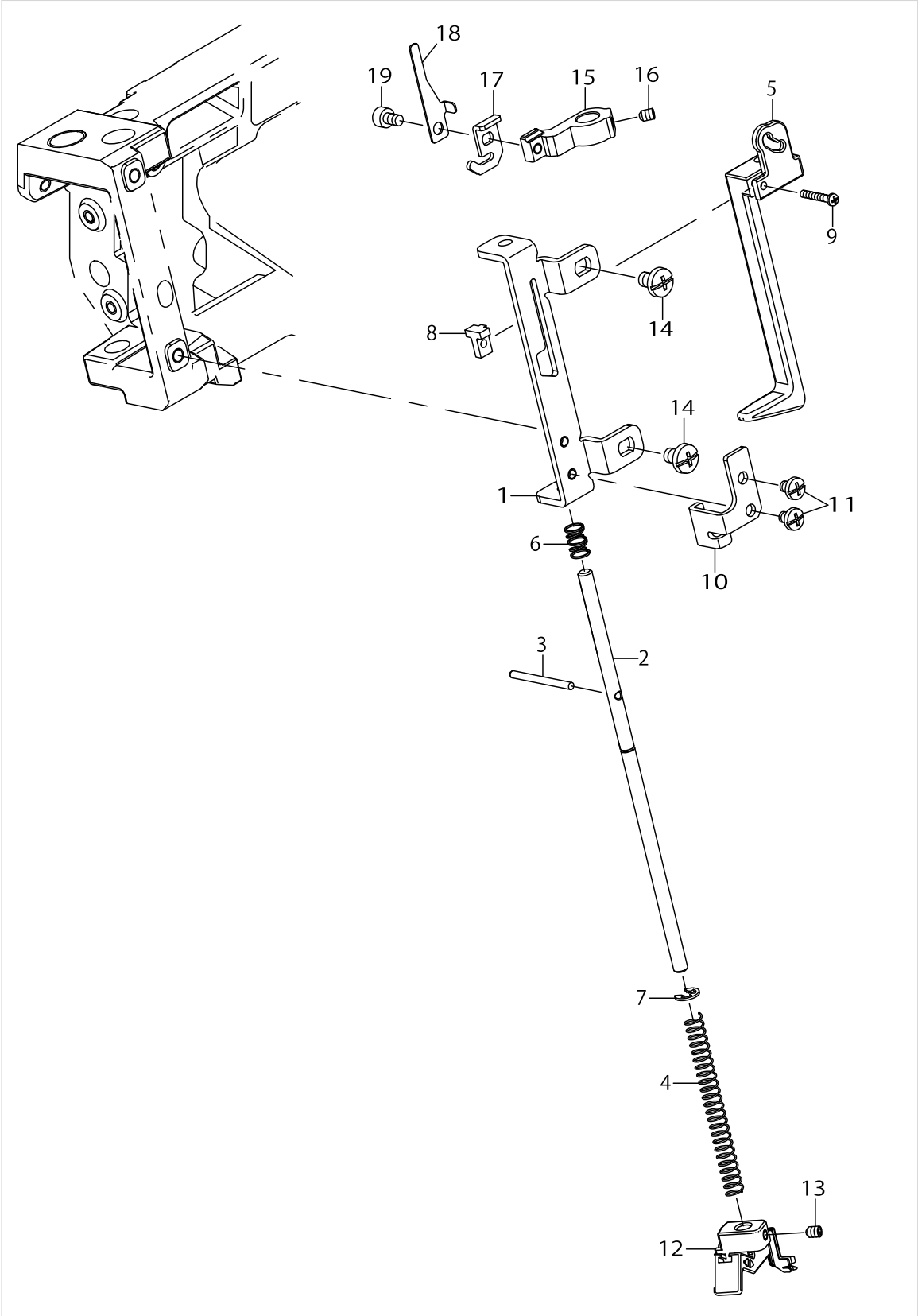
PRESSER COMPONENTS

No.	Parts No.	Parts name	Remarks	Level	Cons	Qty
1	40134370	PRESSER_FOOT_TOTAL_ASM				1
2	40134861	PRESSER_FOOT_SUB_ASM		*		1
3	40134862	PRESSER_FOOT_ASM		*		1
4	40134864	TAPE_GUIDE		*		1
5	SM4030301SC	SCREW M3X0.5 L=3		*		1
6	A15141100B0B	PRESSER FOOT SHANK ASM.		*		1
7	A1516110000	PRESSER SPRING		*		1
8	A15141100A0B	PRESSER FOOT ASM		*		1
9	40139204	PRESSER_ADJUSTING_SCREW				1
10	40135643	PRESSER_SPRING				1
11	A1502110000	PRESSER BAR GUIDE BRACKET				1
12	SM8050402TP	SCREW				1
13	A1507110000	PRESSER BAR				1
14	SM5040855SN	SCREW				1
15	A1504110000A	LIFTING LEVER SET PLATE				1
16	SM5040855SN	SCREW				2
17	A1505110000	LIFTING LEVER SHAFT				1
18	RE0500000K0	E-RING				2
19	A1506110000	LIFTING LEVER				1
20	A15611100A0	THREAD TENSION RELEASE DRIVING ARM				1
21	RE0400000K0	E-RING 4				1
22	A15643240A0	PRESSER BAR GUIDE PLATE ASM				1
23	SM5030455SF	SCREW M3 L=4				2
24	SM5030655SN	SCREW M3X0.5 L=6				1
25	A1568110000	GUIDE PLATE SUPP. SHAFT				1
26	SM8040402TP	SCREW M4X0.7 L=4				1
27	A15701100A0	THREAD TENSION RELEASE LINK ASM.				1
28	WP0430801SC	WASHER M4				1
29	RE0300000K0	E-RING 3				1

NEEDLE BAR & MAIN SHAFT COMPONENTS

No.	Parts No.	Parts name	Remarks	Level	Cons	Qty
1	40134333	MAIN_SHAFT				1
2	PS0400322KP	SPRING PIN 4.0X32				1
3	A1206102000	C RING				1
4	40134051	HAND_WHEEL				1
5	A1230500000A	HANDWHEEL SETSCREW				1
6	A1205634000	TIMING BELT				1
7	A14065340A0	NEEDLE BAR ASM.				1
8	40135000	NEEDLE BAR GUIDE				1
9	SM4030455SN	SCREW				1
10	A1416777000	NEEDLE SCREW				2
11	40134337	NEEDLE_BAR_HOLDER				1
12	SM8050602TP	SCREW M5 L=6				1
13	A1412535000	NEEDLE BAR LINK				1
14	40134338	NEEDLE_THR_TAKE_UP				1
15	SM4040655SN	SCREW M4X0.7 L=6				1
16	40134339	NEEDLE_BAR_CRANK				1
17	A1403102000	CONNECTING PIN				2
18	SM8040402TP	SCREW M4X0.7 L=4				2
19	A1404535000	NEEDLE BAR DRIVING SHAFT				1
20	WP0820516SP	WASHER 11.6X8.2X0.6				1
21	RE0600000K0	E-RING 6				1
22	SM8040402TP	SCREW M4X0.7 L=4				1
23	A1414502000	THRUST COLLAR				1
24	SM8040402TP	SCREW M4X0.7 L=4				2
25	40134340	NEEDLE_BAR_CRANK_ROD				1
26	40134341	NEEDLE_BAR_DRIVING_CAM				1
27	SM8050602TP	SCREW M5 L=6				2
28	MHA100B1100	NEEDLE HAX1 #11	USE IN JAPAN			2
29	MC221500800	NEEDLE (130/705H 15X1H) #80	FOR GENERAL EXPORT			2
30	A1407102000	NEEDLE BAR BUSHING LOWER				2
31	A1206335000	MAIN SHAFT BUSHING FRONT				1
32	A1206202000	MAIN SHAFT BUSHING				1
33	40142108	HAND_WHEEL_SCREW_WASHER				1

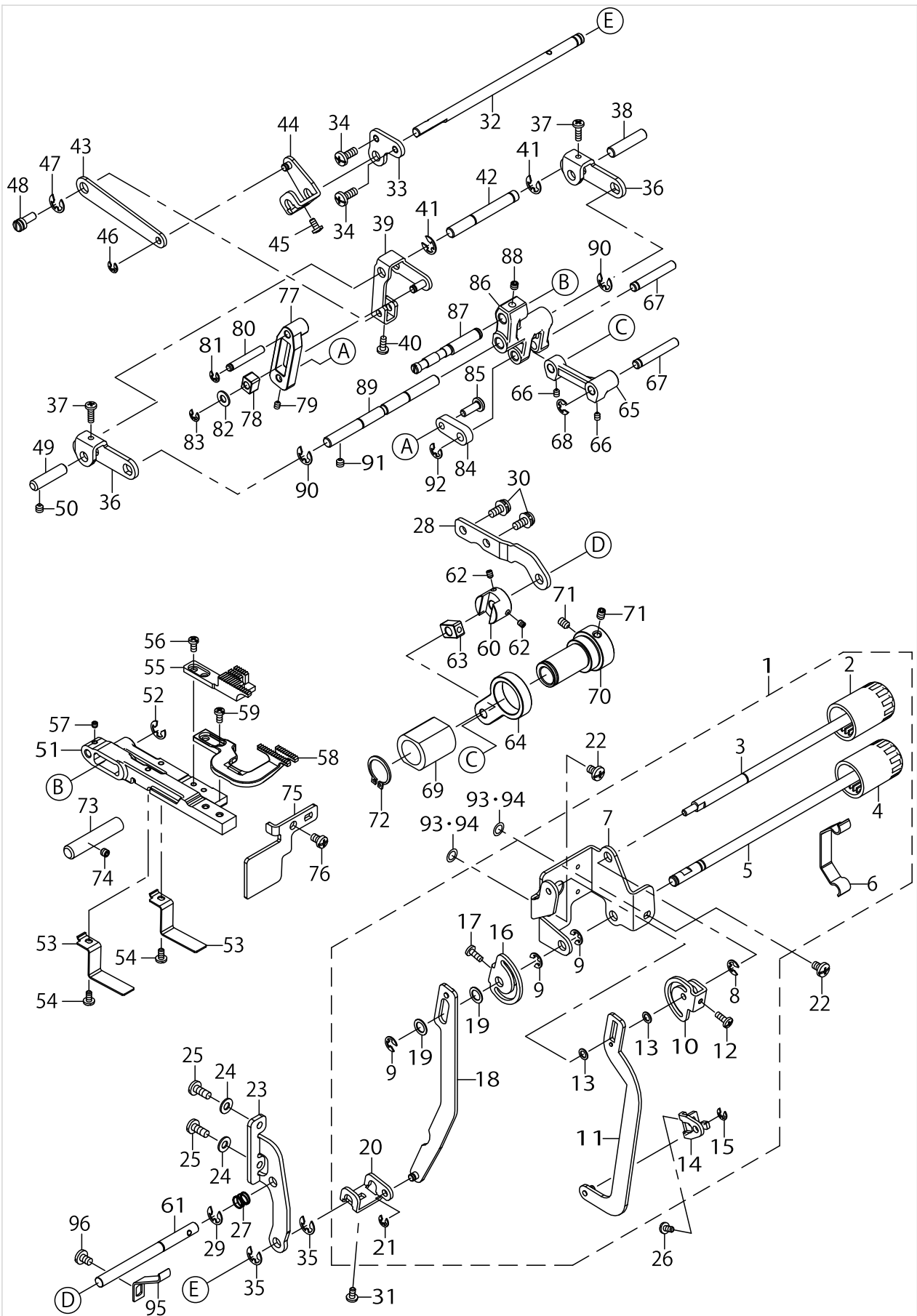
NEEDLE THREADING COMPONENTS



NEEDLE THREADING COMPONENTS

No.	Parts No.	Parts name	Remarks	Level	Cons	Qty
1	40134402	TP_BASE				1
2	40134403	TP_SHAFT				1
3	40134404	TP_SHAFT_PIN				1
4	40134405	TP_SHAFT_SPRING				1
5	40134080	TP_LEVER				1
6	40134406	TP_LEVER_SPRING				1
7	RE0300000K0	E-RING 3				1
8	40134081	TP_LEVER_SPACER				1
9	ST4021251SN	SCREW				1
10	40134407	TP_LEVER_GUIDE				1
11	SM5030455SF	SCREW M3 L=4				2
12	40134400	TP_HOOK_ASM				1
13	SM8030402TP	SCREW M3X0.5 L=4				1
14	SM5040655SN	SCREW				2
15	40134408	TP_NEEDLE_BAR_GUIDE_A				1
16	SM8030402TP	SCREW M3X0.5 L=4				1
17	40134409	TP_NEEDLE_BAR_GUIDE_B				1
18	40135477	TP_STOPPER				1
19	SM6030502TP	SCREW M3X5				1

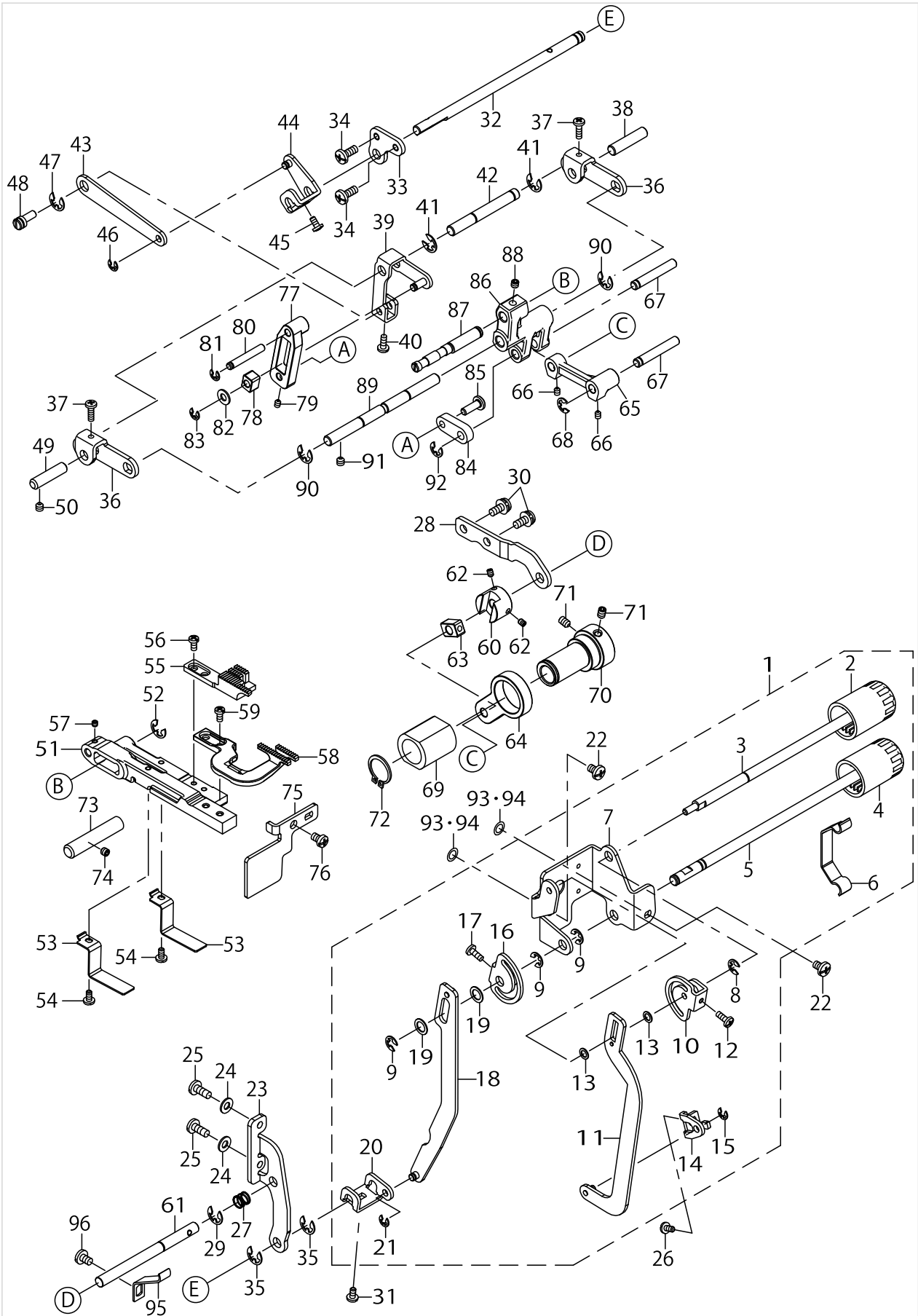
FEED MECHANISM



FEED MECHANISM

No.	Parts No.	Parts name	Remarks	Level	Cons	Qty
1	40136271	ASSY_FEED_KNOB				1
2	40134063	MAIN_FEED_KNOB		*		1
3	40134373	MAIN_FEED_KNOB_SHAFT		*		1
4	40134065	SUB_FEED_KNOB		*		1
5	40134374	SUB_FEED_KNOB_SHAFT		*		1
6	A1611655000	KNOB_HOLDING_PLATE		*		1
7	A1610655000	KNOB_SUPPORT_PLATE		*		1
8	RE0400000K0	E-RING 4		*		1
9	RE0400000K0	E-RING 4		*		3
10	A1613655000	MAIN_FEED_ADJUSTING_CAM		*		1
11	A16196550A0	MAIN_FEED_ADJUSTING_LINK_ASM.		*		1
12	SM5030855SN	SCREW		*		1
13	A1614655000	WASHER		*		2
14	A1630534D00	MAIN_FEED_ADJUSTING_ARM		*		1
15	RE0300000K0	E-RING 3		*		1
16	A1615534D00	CAM		*		1
17	SM5030855SN	SCREW		*		1
18	A1620534DA0	DIF.FEED_ADJUSTING_LINK		*		1
19	A1614534D00	COLLAR		*		2
20	A1655534D00	DIF.FEED.ADJ.ARM		*		1
21	RE0300000K0	E-RING 3		*		1
22	SM5040655SN	SCREW				2
23	A1634655000A	FEED_ADJ.SHAFT_SUPPORT_PLATE				1
24	WP0430801SC	WASHER M4				2
25	SM5041055SN	SCREW M4X10				2
26	SM5030655SN	SCREW M3X0.5 L=6				1
27	A1633534D00	SPRING				1
28	40134375	MAIN_FEED_SHAFT_SUPPORT				1
29	RE0500000K0	E-RING				1
30	SL5040835SN	SCREW M3X8				2
31	SM5030655SN	SCREW M3X0.5 L=6				1
32	40134376	SUB_FEED_ADJUSTMENT_SHAFT				1
33	40134377	SUB_FEED_SHAFT_SUPPORT				1
34	SM5041055SN	SCREW M4X10				2
35	RE0500000K0	E-RING				2
36	A1660534D00A	DIF.FEED_SHAFT_HOLDER				2
37	SM5031001SE	SCREW M3 L=10				2
38	A1664534D00	SHAFT				1
39	A16618000A0	SUB_FEED_ADJUSTING_ARM (A)ASM.				1
40	SM5030855SN	SCREW				1
41	RE0500000K0	E-RING				2
42	A1660800000	SUB_FEED_ADJ.ARM_SHAFT				1
43	A1653776000	DIF.FEED_ADJUSTING_LINK A				1
44	A1657534DA0	DIF.FEED_ADJUSTING_ARM B ASM.				1
45	SM5030655SN	SCREW M3X0.5 L=6				1
46	RE0300000K0	E-RING 3				1
47	RE0500000K0	E-RING				1

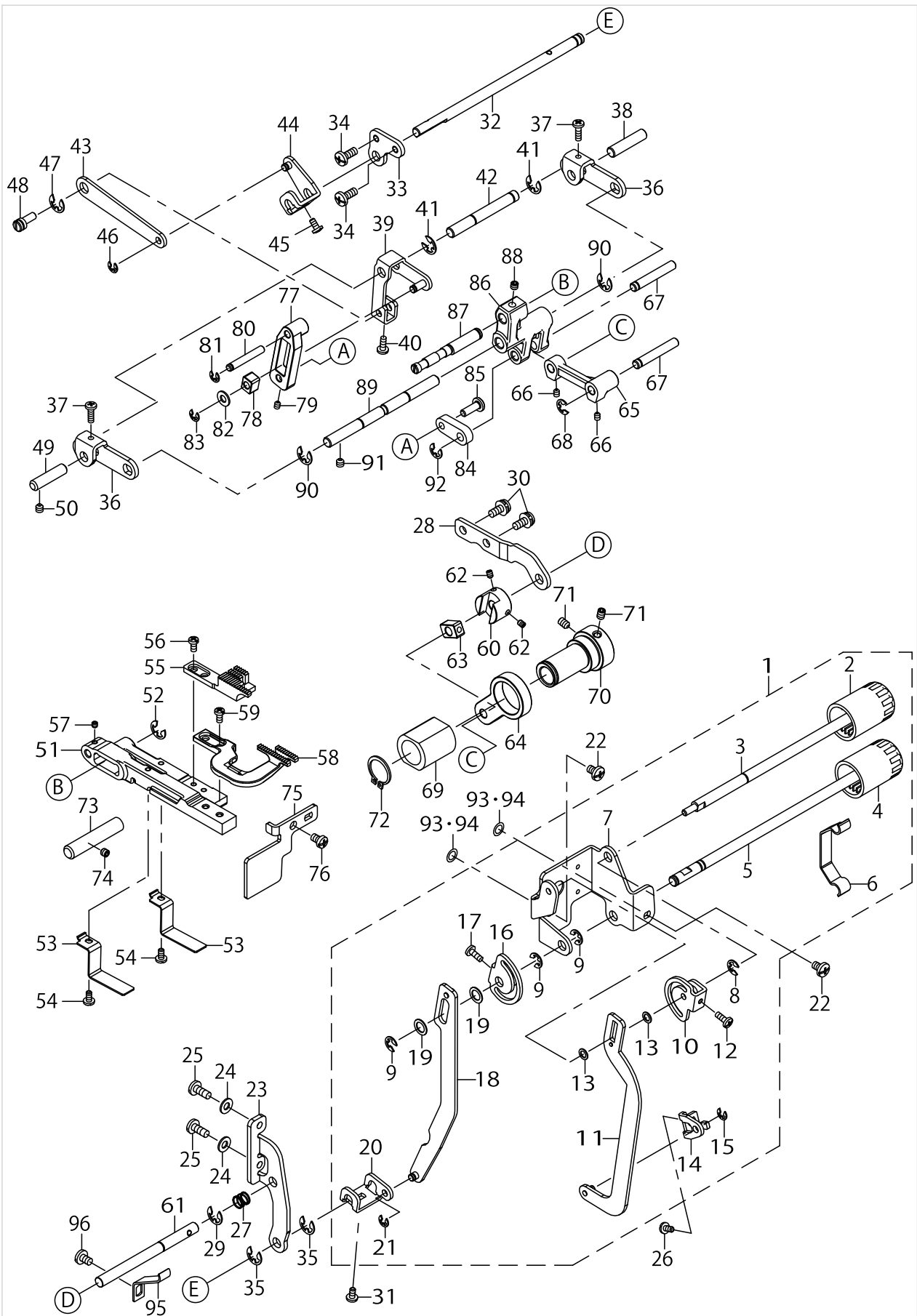
FEED MECHANISM



FEED MECHANISM

No.	Parts No.	Parts name	Remarks	Level	Cons	Qty
48	A1654776000A	ECCENTRIC PIN				1
49	A1663534D00	DIF.FEED SHAFT (A)				1
50	SM8040402TP	SCREW M4X0.7 L=4				1
51	40134378	FEED_BASE_PROCESS				1
52	RE0500000K0	E-RING				1
53	A1616030Z00	SPRING				2
54	SM5030655SN	SCREW M3X0.5 L=6				2
55	40134379	MAIN_FEED_DOG				1
56	SM4030655SP	SCREW				2
57	SM8030302TP	SCREW M3X3				1
58	40134380	SUB_FEED_DOG				1
59	SM4030655SP	SCREW				2
60	A1637534D00	FEED REGULATOR				1
61	40134381	MAIN_FEED_ADJUSTMENT_SHAFT				1
62	SM8030402TP	SCREW M3X0.5 L=4				2
63	A1638776000	MAIN FEED SLIDE BLOCK				1
64	A1616534D00	MAIN FEED ROD				1
65	40134382	MAIN_FEED_LINK				1
66	SM8030402TP	SCREW M3X0.5 L=4				2
67	40134387	FEED_PIN				2
68	RE0400000K0	E-RING 4				1
69	A1630535000	VERTICAL FEED ADS.				1
70	40134388	MAIN_FEED_CAM				1
71	SM8040602TP	SCREW M4X0.7 L=6				2
72	RC0150001KP	C-RING 15 (13.8)				1
73	A1612535000	FEED BASE GUIDE ROD				1
74	SM8040402TP	SCREW M4X0.7 L=4				1
75	A1613535000	FEED BASE GUIDE				1
76	SM4040655SN	SCREW M4X0.7 L=6				1
77	A1651534D00	DIF.FEED ARM				1
78	A1652534D00	DIF.FEED SLIDE BLOCK				1
79	SM8030402TP	SCREW M3X0.5 L=4				1
80	A1665534D00	SHAFT				1
81	RE0300000K0	E-RING 3				1
82	WP0430801SC	WASHER M4				1
83	RE0300000K0	E-RING 3				1
84	A1650534D00	DIF.FEED LINK				1
85	A2529335000	UPPER LOOPER ARM PIN				1
86	40134389	HORIZONTAL_FEED_ARM				1
87	40134390	F_BASE_SPT_SHAFT_MOD				1
88	SM8040402TP	SCREW M4X0.7 L=4				1
89	40134391	MAIN_FEED_SHAFT				1
90	RE0500000K0	E-RING				2
91	SM8040402TP	SCREW M4X0.7 L=4				1
92	RE0400000K0	E-RING 4				1
93	WP0520316RZ	WASHER 5.2X8X0.25	SELECTIVE PARTS			1
94	WP0520516RZ	WASHER 5.2X8X0.5	SELECTIVE PARTS			1

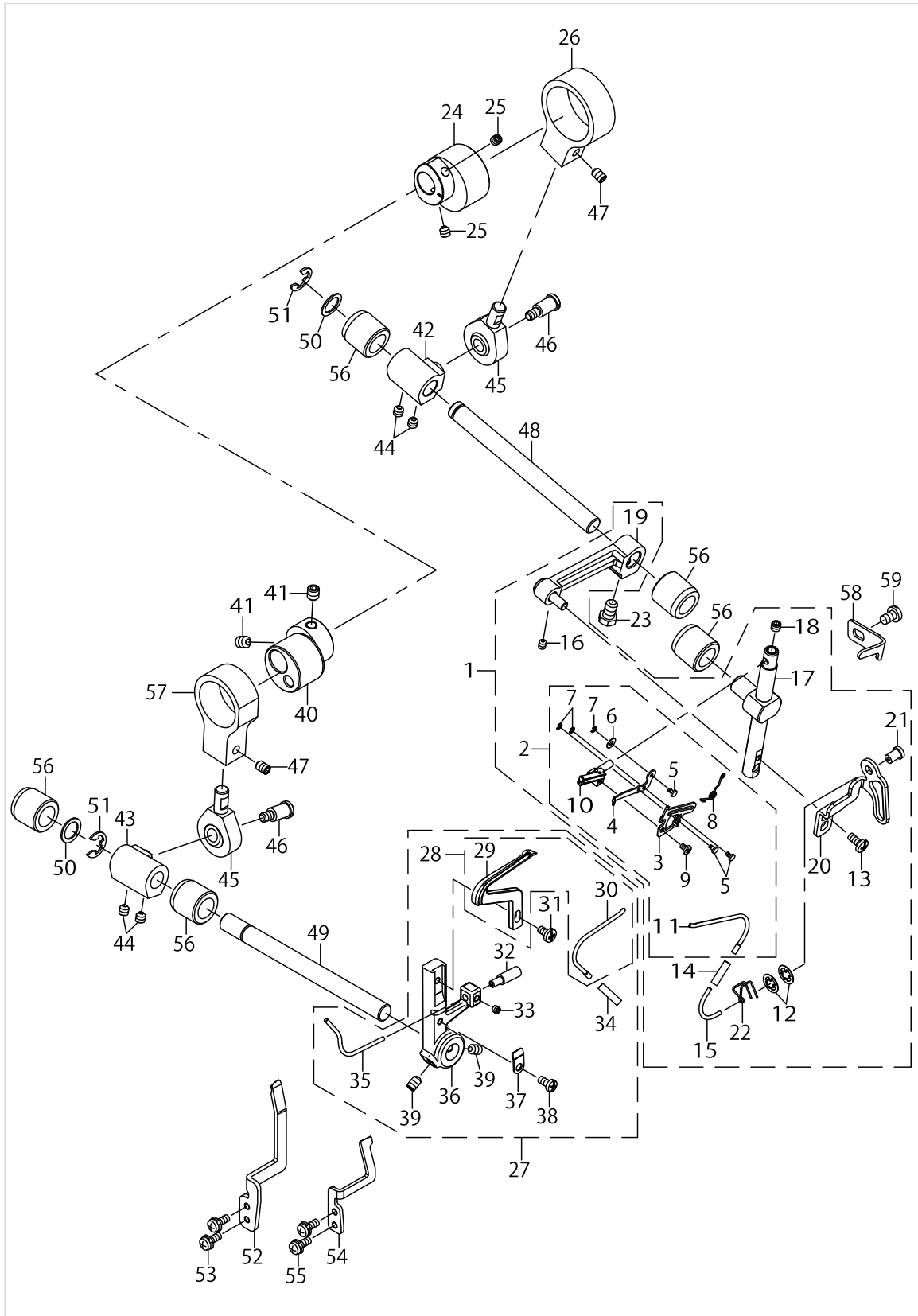
FEED MECHANISM



FEED MECHANISM

No.	Parts No.	Parts name	Remarks	Level	Cons	Qty
95	40148285	SHAFT PRESSER PLATE				1
96	SM5040655SN	SCREW				1

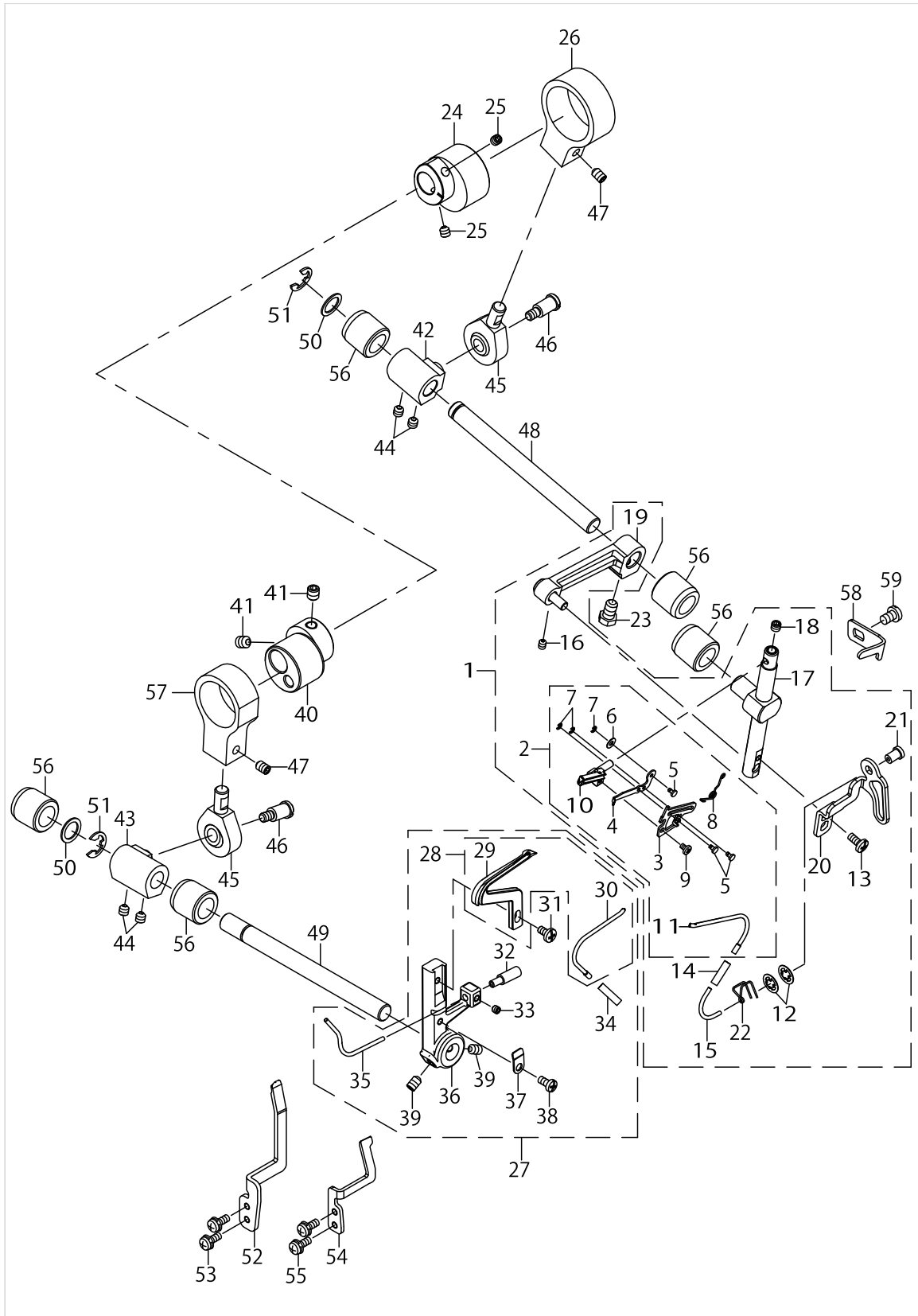
LOOPER & NEEDLE GUARD COMPONENTS



LOOPER & NEEDLE GUARD COMPONENTS

No.	Parts No.	Parts name	Remarks	Level	Cons	Qty
1	40136267	UPPER_LOOPER_ASSY				1
2	40152314	UPPER_LOOPER_PART_ASSY		*		1
3	40134842	CHANG_LEVER_BASE		*		1
4	40134843	2_3_CHANGE_LEVER		*		1
5	40134844	2_3_CHANGE_LEVER_SLIDE_PIN		*		3
6	WP0220301SC	WASHER_M2		*		1
7	RE0120000K0	E-RING		*		3
8	40134845	2_3_CHANGE_SPRNG		*		1
9	SM5020301SC	SCREW_M2_L=3		*		1
10	40152316	UPPER_LOOPER		*		1
11	40134411	UPPER_LOOPER_PIPE_A		*		1
12	A3205555A00	LOCKNUT		*		2
13	SM5030855SN	SCREW		*		1
14	40134413	RUBBER_TUBE		*		0.01
15	40134412	UPPER_LOOPER_PIPE_B		*		1
16	SM8030312TP	SCREW_M3_L=3		*		1
17	40152315	UPPER_LOOPER_SLIDE_SHAFT_ASM		*		1
18	SM8030402TP	SCREW_M3X0.5_L=4		*		1
19	40134347	UPPER_LOOPER_ARM_ASM		*		1
20	40134344	LOOPER_THREAD_TAKE_UP		*		1
21	40143079	LOOPER_TREAD_PIPE_BUSH_A		*		1
22	40141151	PIPE_CLIP		*		1
23	SM9050850SP	SCREW				1
24	A2501534000A	UPPER_LOOPER_CAM				1
25	SM8040402TP	SCREW_M4X0.7_L=4				2
26	A2502534000A	UPPER_LOOPER_ROD				1
27	40136268	LOWER_LOOPER_ASSY				1
28	40134104	LOWER_LOOPER_PART_ASSY		*		1
29	40134414	LOWER_LOOPER		*		1
30	40134415	LOWER_LOOPER_PIPE_A		*		1
31	SM5030655SN	SCREW_M3X0.5_L=6		*		1
32	40143080	LOOPER_TREAD_PIPE_BUSH_B		*		1
33	SM8030302TP	SCREW_M3X3		*		1
34	40134413	RUBBER_TUBE		*		0.01
35	40134416	LOWER_LOOPER_PIPE_B		*		1
36	40134352	LOWER_LOOPER_SUPPORT_ARM		*		1
37	40134417	LOWER_LOOPER_PIPE_SUPPORT		*		1
38	SM4030655SP	SCREW		*		1
39	SM8040602TP	SCREW_M4X0.7_L=6		*		2
40	40134348	LOWER_LOOPER_CAM				1
41	SM8050602TP	SCREW_M5_L=6				2
42	40134349	UPPER_LOOPER_DRIVING_ARM				1
43	A2505776000	LOOPER_DRIVING_ARM				1
44	SM8040402TP	SCREW_M4X0.7_L=4				4
45	A2503776000	CONNECTING_ROD				2
46	A2504776000	CONNECTING_SCREW				2
47	SM8040602TP	SCREW_M4X0.7_L=6				2

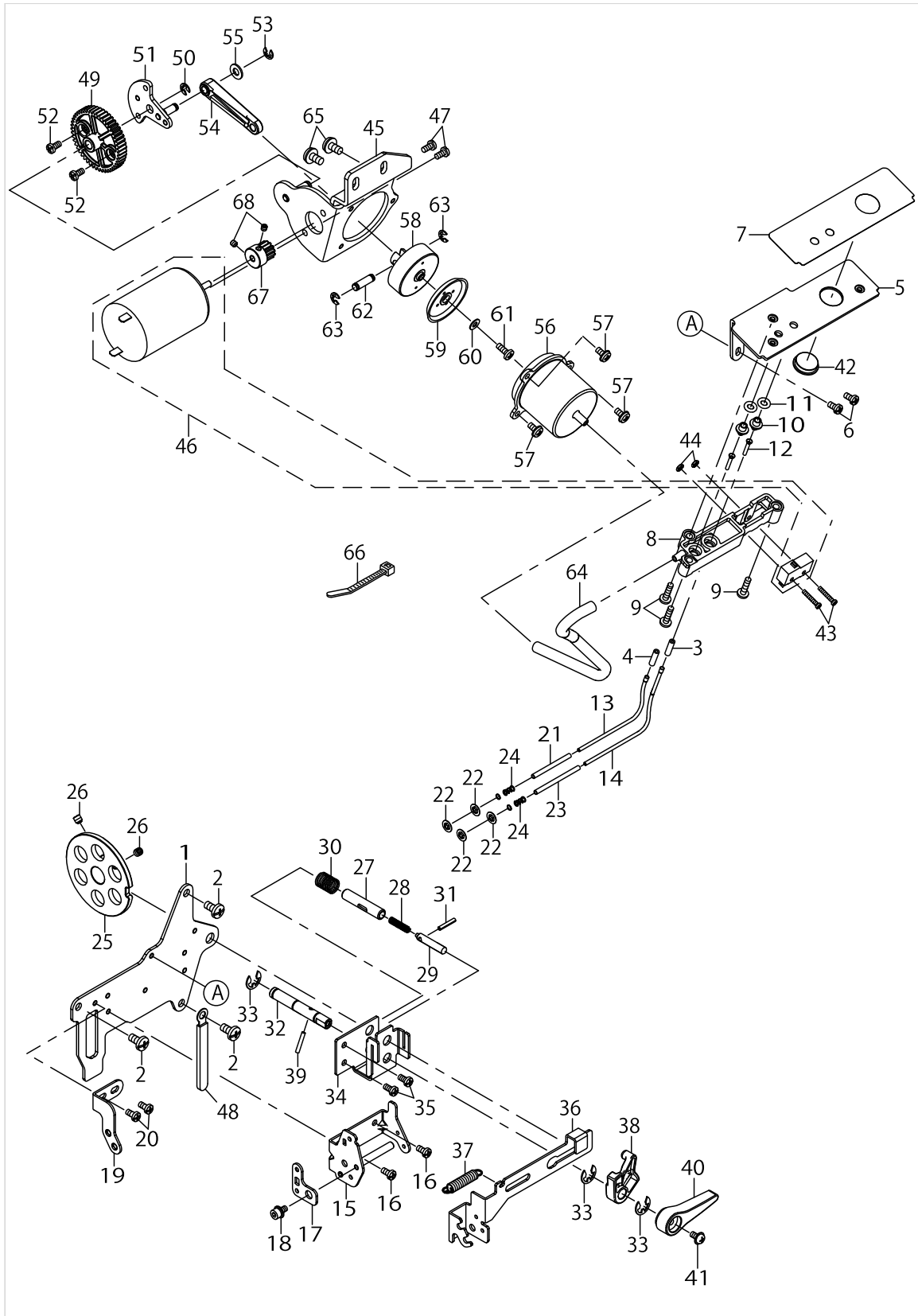
LOOPER & NEEDLE GUARD COMPONENTS



LOOPER & NEEDLE GUARD COMPONENTS

No.	Parts No.	Parts name	Remarks	Level	Cons	Qty
48	40134350	UPPER_LOOPER_SHAFT				1
49	40134351	LOWER_LOOPER_SHAFT				1
50	WP0820516SP	WASHER_11.6X8.2X0.6				2
51	RE0600000K0	E-RING_6				2
52	40134354	NEEDLE_GUARD_FRONT				1
53	SL5030631SF	SCREW_M3_L=6				2
54	40134355	NEEDL_GUARD_REAR				1
55	SL5030631SF	SCREW_M3_L=6				2
56	A2561777000	BUSHING				5
57	A2515534000A	LOWER_LOOPER_ROD				1
58	40134343	UPPER_LOOPER_GUIDE_SUPPORT				1
59	SM4040855SN	SCREW_M4_L=8				1

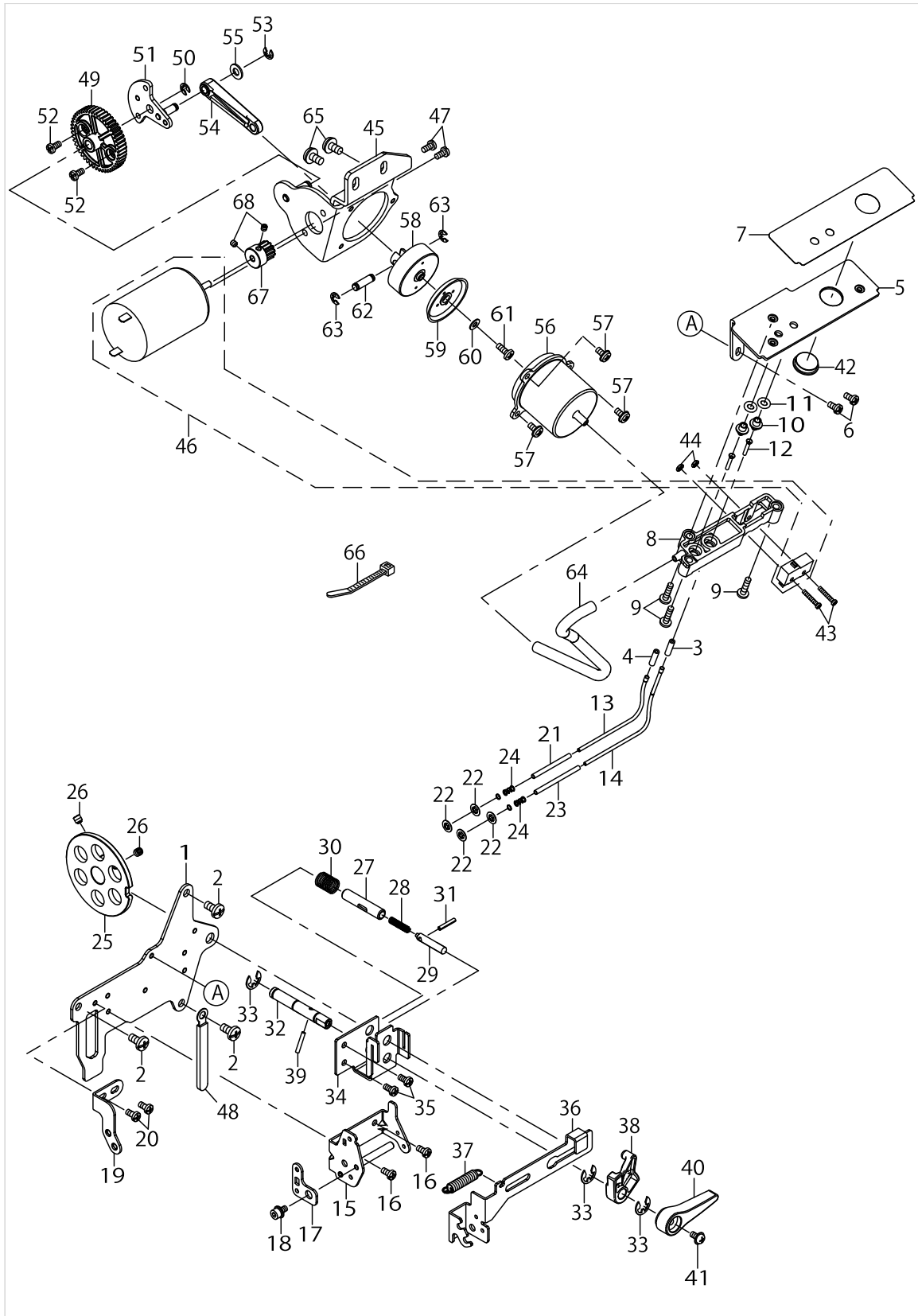
LOOPER THREADING COMPONENTS



LOOPER THREADING COMPONENTS

No.	Parts No.	Parts name	Remarks	Level	Cons	Qty
1	40134321	THREAD_THROUGH_BRACKET				1
2	SM5040855SN	SCREW				3
3	40134413	RUBBER_TUBE				0.01
4	40134413	RUBBER_TUBE				0.01
5	40143824	THREAD_THROUGH_PLATE				1
6	SM4030655SP	SCREW				2
7	40134419	THREAD_THROUGH_SEAL				1
8	40143823	THREAD_THROUGH_BASE				1
9	SM5031201SN	SCREW_FOR HOLDER_PLATE				3
10	40142844	THREAD_THROUGH_BUSH				2
11	RO037180100	O-RING				2
12	40134421	JOINT_PIPE				2
13	40134422	UPPER_LOOPER_THREAD_PIPE				1
14	40134423	LOWER_LOOPER_THREAD_PIPE				1
15	40150050	THREAD_PIPE_PLATE_ASM				1
16	SM4030655SP	SCREW				2
17	40150053	PIPE_ADJUST_PLATE				1
18	SL6030692TN	SCREW_M3_L=6				1
19	40150136	THREAD_TAKE_UP_GUIDE_PLATE				1
20	SM4030655SP	SCREW				2
21	40134426	UPPER_LOOPER_JOINT_PIPE				1
22	40134427	PUSH_NUT				4
23	40134428	LOWER_LOOPER_JOINT_PIPE				1
24	40134430	LOOPER_JOINT_PIPE_SPRING				2
25	40134431	THREADERS_POSITIONING_COLLER				1
26	SM8040412TP	SCREW_M4X4				2
27	40134432	THREADERS_POSITIONING_SHAFT				1
28	40134433	THREADERS_POSITION_SHAFT_SPRING				1
29	40134434	THREADERS_POSITIONING_PUSH_SHAFT				1
30	40144427	THREADERS_POSITION_PUSH_SPRING				1
31	PS0200122KP	SPRING_PIN_TYPE_W_2X12				1
32	40134436	THREADERS_SWITCHING_SHAFT				1
33	RE0500000K0	E-RING				3
34	40144426	THREADERS_SWITCHING_SUPPORT				1
35	SM4030655SP	SCREW				2
36	40134438	THREADERS_SWITCH_MOVING_PLATE				1
37	40150054	THREADERS_SWITCH_MOVING_SPRING				1
38	40134083	THREADERS_SWITCH_MOVING_CAM				1
39	PS0200122KP	SPRING_PIN_TYPE_W_2X12				1
40	40134084	THREADERS_SWITCH_LEVER				1
41	SL4030891SC	SCREW_M3X8				1
42	40134085	THREADER_BUTTON				1
43	SM4021201SC	SCREW_M2_L=12				2
44	NM6020003SR	NUT_M2X0.4_TYPE3				2
45	40143101	PUMP_BASE_PLATE_ASM				1
46	40136011	PUMP_MOTOR_ASSY				1
47	SM4030655SP	SCREW				2

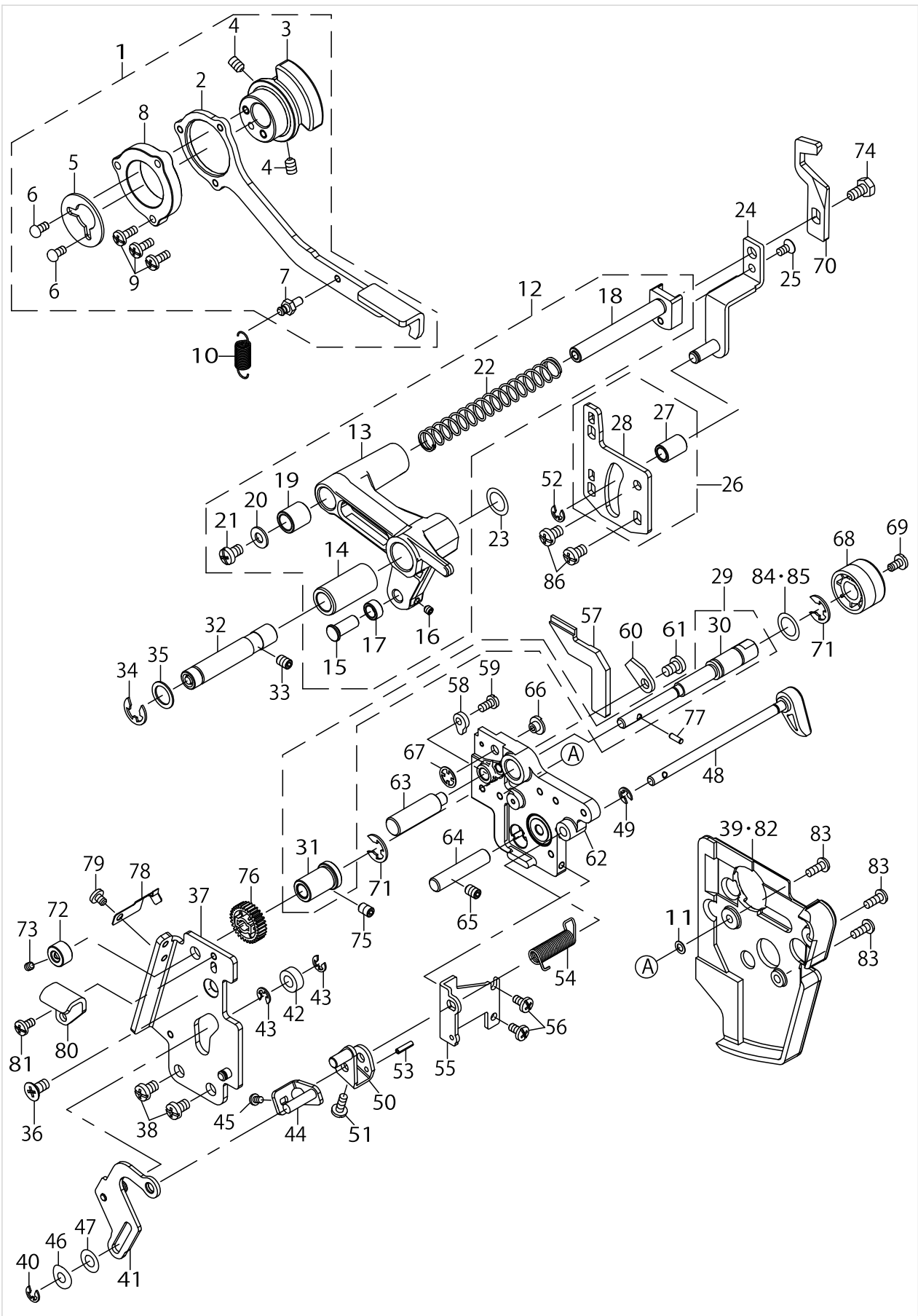
LOOPER THREADING COMPONENTS



LOOPER THREADING COMPONENTS

No.	Parts No.	Parts name	Remarks	Level	Cons	Qty
48	A381155000	CORD HOLDER				1
49	40134086	PUMP_GEAR				1
50	RE0300000K0	E-RING_3				1
51	40134442	CRANK_PLATE_ASM				1
52	SM4030655SP	SCREW				2
53	RE0300000K0	E-RING_3				1
54	40134087	CRANK_ROD				1
55	WP0430801SC	WASHER_M4				1
56	40134088	CYLINDER				1
57	SL5030631SF	SCREW_M3_L=6				3
58	40134089	PISTON				1
59	40134090	PISTON_LIP				1
60	WP0320501SC	WASHER_M3				1
61	ST5030851SN	SCREW_M5X8				1
62	40134443	PISTON_PIN				1
63	RE0300000K0	E-RING_3				2
64	40134444	SILICON_TUBE				0.3
65	SL5040835SN	SCREW_M4_L=8				2
66	A407855000B	BAND				2
67	40143102	PUMP_MOTOR_GEAR				1
68	SM8030312TP	SCREW_M3_L=3				2

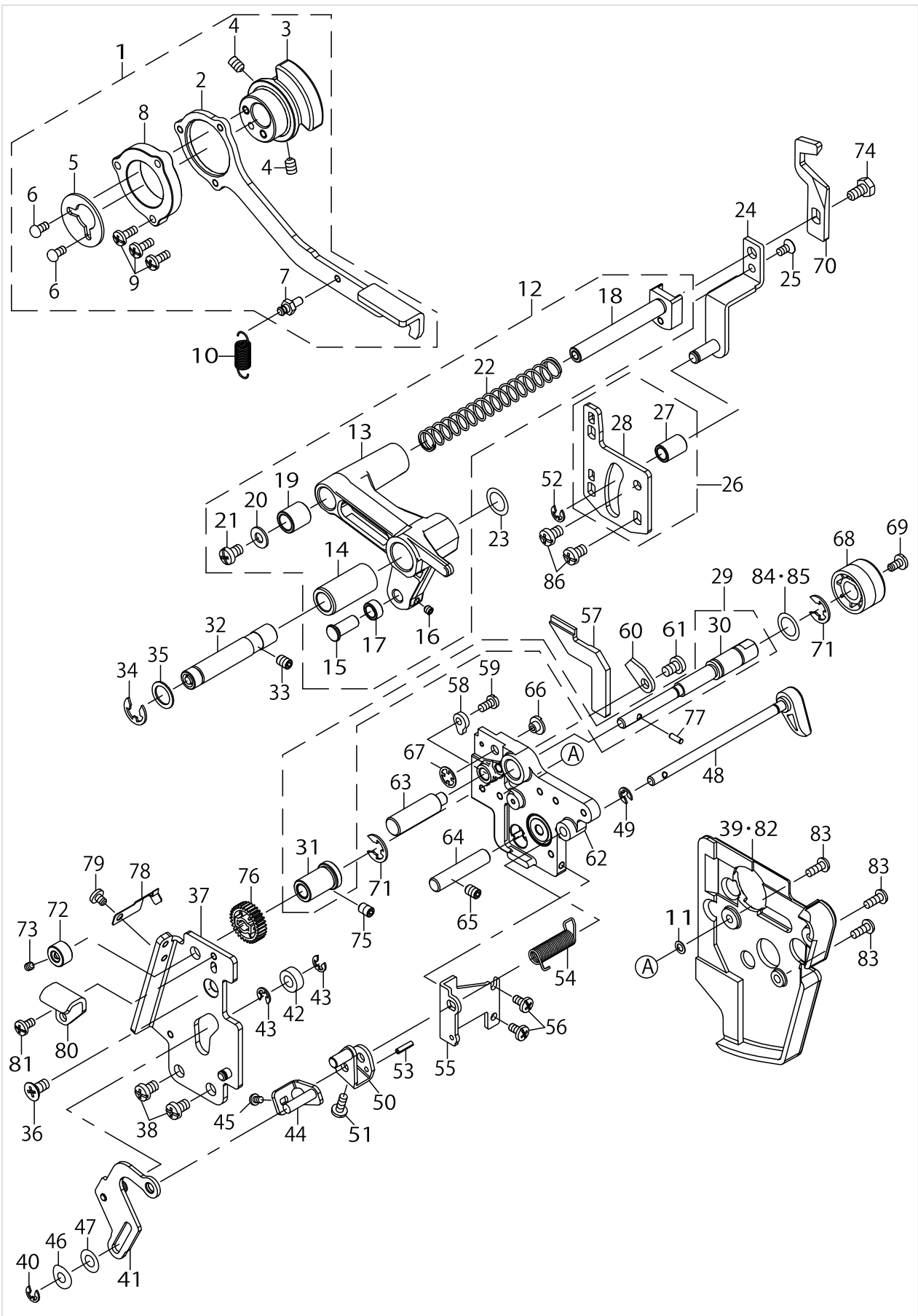
KNIFE DRIVE COMPONENTS



KNIFE DRIVE COMPONENTS

No.	Parts No.	Parts name	Remarks	Level	Cons	Qty
1	40136252	KNIFE_DRIVE_ROD_ASSY				1
2	40134447	KNIFE_DRIVE_ROD		*		1
3	40134445	UPPER_KNIFE_DRIVE_CAM		*		1
4	SM8040602TP	SCREW_M4X0.7_L=6		*		2
5	40134446	KNIFE_DRIVE_CAM_THRUST_PLATE		*		1
6	A1618534D0A	SCREW		*		2
7	40056010	HF_ARM_SPRING_PIN		*		1
8	40134448	KNIFE_DRIVE_ROD_SUPPORT_METAL		*		1
9	SM5030855SN	SCREW		*		3
10	40134449	KNIFE_DRIVE_ROD_SPRING				1
11	WP0310316RZ	WASHER_3.1X5.4X0.25	SELECTIVE PARTS			1
12	40136253	UPPER_KNIFE_DRIVE_ARM_ASSY				1
13	40134450	UPPER_KNIFE_DRIVE_ARM		*		1
14	40134451	UPPER_KNIFE_DRIVE_ARM_METAL		*		1
15	40134452	KNIFE_DRIVE_TRANSMISSION_SHAFT		*		1
16	SM8030302TP	SCREW_M3X3		*		1
17	40134464	KNIFE_DRIVE_INTERCEPT_COLLER		*		1
18	40134456	UPPER_KNIFE HOLDER		*		1
19	40134457	UPPER_KNIFE HOLDER_COLLAR		*		1
20	WP0430801SC	WASHER_M4		*		1
21	SM4040655SN	SCREW_M4X0.7_L=6		*		1
22	40134458	UPPER_KNIFE HOLDER_SPRING		*		1
23	WP0820316RZ	WASHER_8.2X12X0.25				1
24	40134454	UPPER_KNIFE_GUIDE_PLATE_ASSY				1
25	SM1030601SP	SCREW_M3_L=6				1
26	40146338	UPPER_KNIFE_GP_COLLAR_ASSY				1
27	40146456	UPPER_KNIFE_GUIDE_PIN_COLLAR		*		1
28	40146457	KNIFE_GUIDE		*		1
29	40148165	LOWER_KNIFE_ADJUST_SHAFT_ASSY				1
30	40146324	LOWER_KNIFE_ADJUST_SHAFT		*		1
31	40134475	LOWER_KNIFE_ADJUST_METAL		*		1
32	40134461	UPPER_KNIFE_DRIVE_ARM_SHAFT				1
33	SM8040602TP	SCREW_M4X0.7_L=6				1
34	RE0600000K0	E-RING_6				1
35	WP0820516SP	WASHER_11.6X8.2X0.6				1
36	SM1040801SN	SCREW_M4X0.7_L=8				1
37	40134462	KNIFE_DRIVE_SUPPORT_PLATE_ASSY				1
38	SM4040655SN	SCREW_M4X0.7_L=6				2
39	40134481	LOOPER_COVER_GUIDE_B	FOR MO-1000.MO-2000QVP			1
40	RE0300000K0	E-RING_3				1
41	40134463	KNIFE_DRIVE_INTERCEPT_ARM_ASSY				1
42	40139750	KNIFE_DRIVE_INTERCEPT_COLLER				1
43	RE0300000K0	E-RING_3				2
44	40134465	KNIFE_DRIVE_INTERCEPT_LINK_ASSY				1
45	SM4850455SP	SCREW				1
46	A7117010000	WASHER				1
47	A31099DC000	WASHER				1

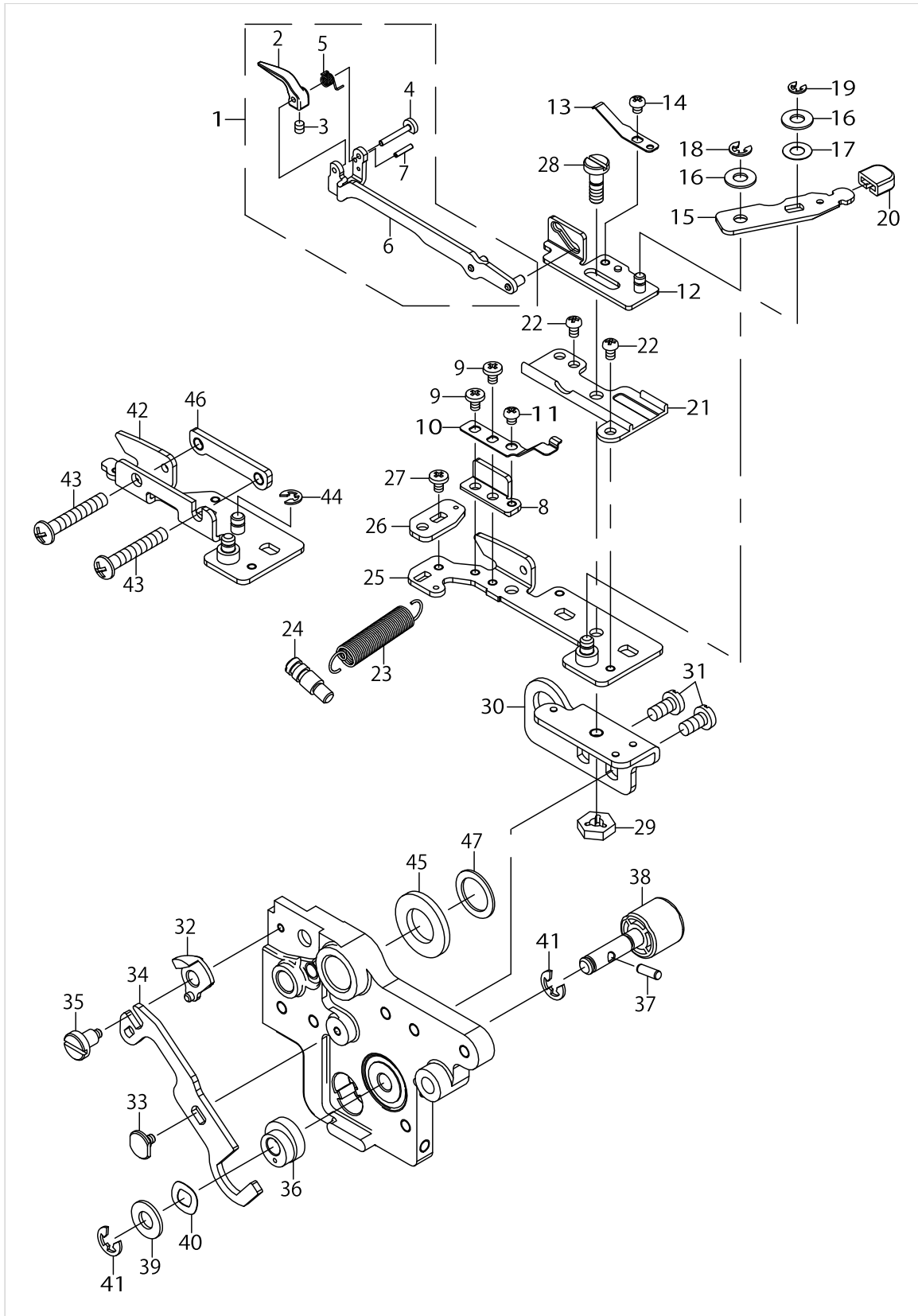
KNIFE DRIVE COMPONENTS



KNIFE DRIVE COMPONENTS

No.	Parts No.	Parts name	Remarks	Level	Cons	Qty
48	40153192	UPPER_KNIFE_REMOVE_KNOB				1
49	RE0300000K0	E-RING_3				1
50	40134468	KNIFE_REMOVE_CAM_PLATE_ASSY				1
51	SM5030855SN	SCREW				1
52	RE0300000K0	E-RING_3				1
53	PS0200082KP	SPRING_PIN_TYPE_W_2X8				1
54	40152469	UPPER_KNIFE_REMOVE_CAM_SP				1
55	40134470	UPPER_KNIFE_REMOVE_SH_BASE				1
56	SM5030655SN	SCREW_M3X0.5_L=6				2
57	40134471	LOWER_KNIFE				1
58	A4124335000	LOWER_KNIFE_SUPPORTING_PLATE				1
59	SM4030655SP	SCREW				1
60	A4123335000	LOWER_KNIFE_PRESSER_PLATE				1
61	SM4040655SN	SCREW_M4X0.7_L=6				1
62	40134038	LOWER_KNIFE HOLDER				1
63	40134900	LOWER_KNIFE HOLDER_SHAFT_A				1
64	40134473	LOWER_KNIFE HOLDER_SHAFT_B				1
65	SM8040602TP	SCREW_M4X0.7_L=6				1
66	A4149535000	LOWER_KNIFE_ANGLE_ADJ.SUPPORT				1
67	A3205555A00	LOCKNUT				1
68	40134091	LOWER_KNIFE_ADJUST_KNOB				1
69	SM5030655SN	SCREW_M3X0.5_L=6				1
70	40144945	UPPER_KNIFE				1
71	RE0600000K0	E-RING_6				2
72	40146325	LOWER_KNIFE_ADJUST_COLLAR				1
73	SM8030312TP	SCREW_M3_L=3				1
74	SM9040803SD	SCREW_M4X0.7_L=8				1
75	SM8040602TP	SCREW_M4X0.7_L=6				1
76	40134094	LOWER_KNIFE_ADJUST_GEAR				1
77	PH0200062C0	PARALLEL_PIN_TYPE_B_2X6				1
78	40134476	LOWER_KNIFE_ADJUST_SP				1
79	SM5030455SF	SCREW_M3_L=4				1
80	40134332	CLOTH_PLATE_SUPPORT				1
81	SM5030655SN	SCREW_M3X0.5_L=6				1
82	40134480	LOOPER_COVER_GUIDE_A	FOR MO-1000M,MO-1000ML			1
83	SM5030855SN	SCREW				3
84	WP0820316RZ	WASHER_8.2X12X0.25	SELECTIVE PARTS			1
85	WP0820516SP	WASHER_11.6X8.2X0.6	SELECTIVE PARTS			1
86	SM4040655SN	SCREW_M4X0.7_L=6				2

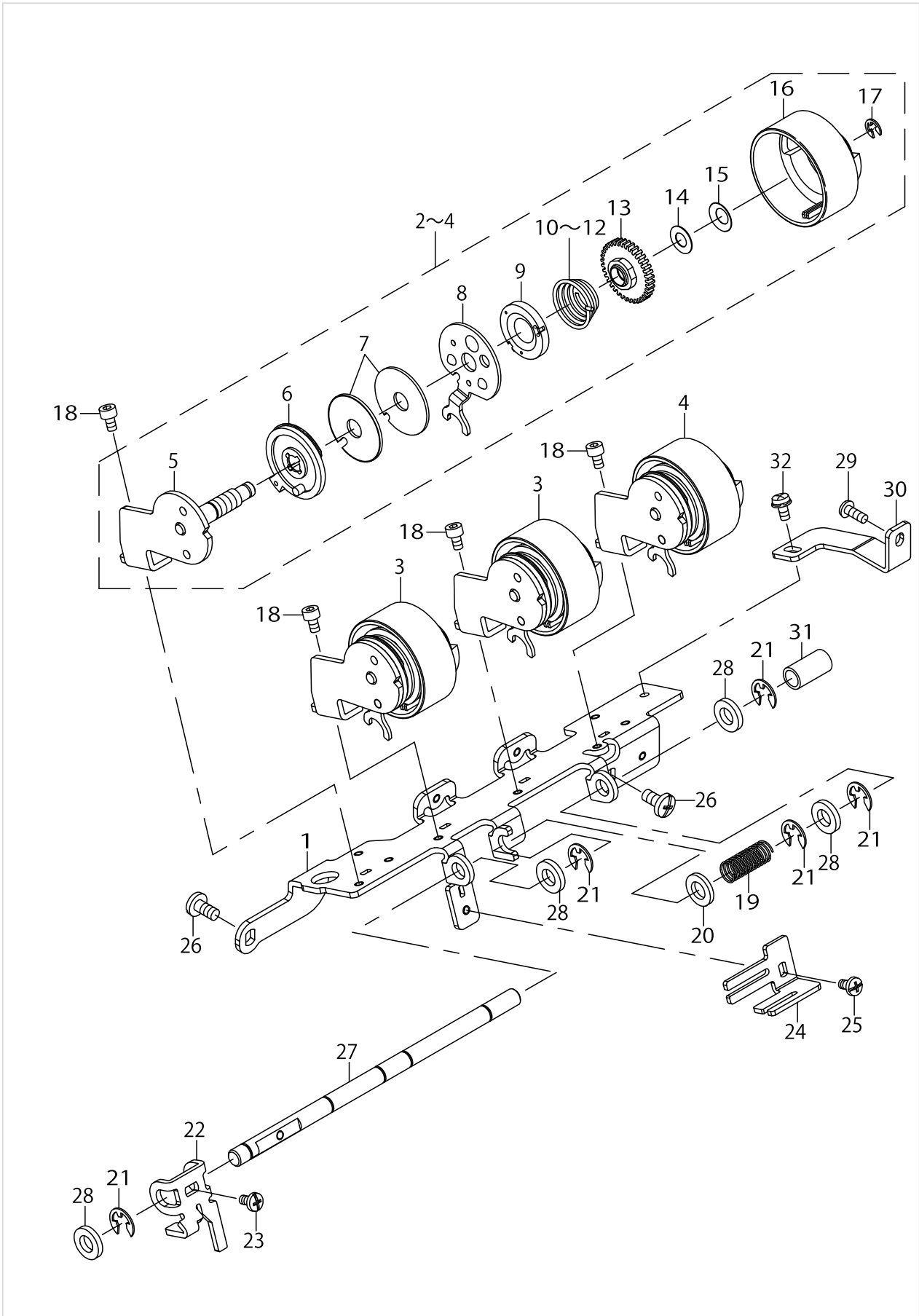
STITCH TONGUE COMPONENTS



STITCH TONGUE COMPONENTS

No.	Parts No.	Parts name	Remarks	Level	Cons	Qty
1	40150729	STITCH_TONGUE_SUB_ASSY				1
2	40134356	STITCH_TONGUE		*		1
3	SM8020202UZ	SCREW_M2_L=2		*		1
4	40146076	STITCH_TONGUE_PIN		*		1
5	40134358	STITCH_TONGUE_SP		*		1
6	40150718	STITCH_TONGUE_LINK_ASSY		*		1
7	PS0100052KP	SPRING_PIN_TYPE_W_1X5		*		1
8	40150721	TONGUE_ADJUST_PLATE				1
9	SM5020301SC	SCREW_M2_L=3				2
10	40150730	TONGUE_LINK_PUSH_PLATE_A				1
11	SM4020201SC	SCREW_M2_L=2				1
12	40150722	TONGUE_REMOVE_PLATE_ASSY				1
13	40150731	TONGUE_LINK_PUSH_PLATE_B				1
14	SM4020201SC	SCREW_M2_L=2				1
15	40134362	STITCH_TONGUE_LEVER				1
16	WP0320501SC	WASHER_M3				2
17	WZ0320290UZ	BEND_WASHER_3.2X6.5X0.15				1
18	RE0200000K0	E-RING_2				1
19	RE0150000K0	SNAP_RING_1.5				1
20	A116731500AA	THREAD_SLIPPER_CAP				1
21	40150732	STITCH_TONGUE_SLIDE_BASE				1
22	SM4020351SC	SCREW				2
23	40134363	STITCH_TONGUE_HOLDING_SPRING				1
24	40134854	STITCH_TONGUE_SPRING_PIN				1
25	40150725	STITCH_TONGUE_BASE_A_ASSY	WITH MTC(MO-1000M/ML)			1
26	40150733	TONGUE_DRIVE_ADJUST_PLATE_ASSY	WITH MTC(MO-1000M/ML)			1
27	SM5020301SC	SCREW_M2_L=3	WITH MTC(MO-1000M/ML)			1
28	40134365	THREAD_SLIP_SHAFT	WITH MTC(MO-1000M/ML)			1
29	174803004000	NUT	WITH MTC(MO-1000M/ML)			1
30	40150736	MTC_BASE_SUPPORT	WITH MTC(MO-1000M/ML)			1
31	SM4030655SP	SCREW	WITH MTC(MO-1000M/ML)			2
32	40134056	MTC_DRIVE_CAM	WITH MTC(MO-1000M/ML)			1
33	A415613M000	SCREW	WITH MTC(MO-1000M/ML)			1
34	40134367	MTC_DRIVE_ARM	WITH MTC(MO-1000M/ML)			1
35	40134368	THRD_SLIP_GUIDE_DRIV_CAM_SHAFT	WITH MTC(MO-1000M/ML)			1
36	40134057	MTC_ADJUST_CAM	WITH MTC(MO-1000M/ML)			1
37	PH0200062C0	PARALLEL_PIN_TYPE_B_2X6	WITH MTC(MO-1000M/ML)			1
38	40134058	MTC_ADJUST_KNOB	WITH MTC(MO-1000M/ML)			1
39	WP0430801SC	WASHER_M4	WITH MTC(MO-1000M/ML)			1
40	A1424777000	WASHER	WITH MTC(MO-1000M/ML)			1
41	RE0300000K0	E-RING_3	WITH MTC(MO-1000M/ML)			2
42	40150727	STITCH_TONGUE_BASE_B_ASSY	WITH NO MTC			1
43	SM4031851SF	SCREW_M3_L=18	WITH NO MTC			2
44	RE0200000K0	E-RING_2	WITH NO MTC			1
45	WP0841600SE	WASHER_8	WITH NO MTC			1
46	40135615	TONGUE_FIXED_PLATE	WITH NO MTC			1
47	WP0820516SP	WASHER_11.6X8.2X0.6	WITH NO MTC			1

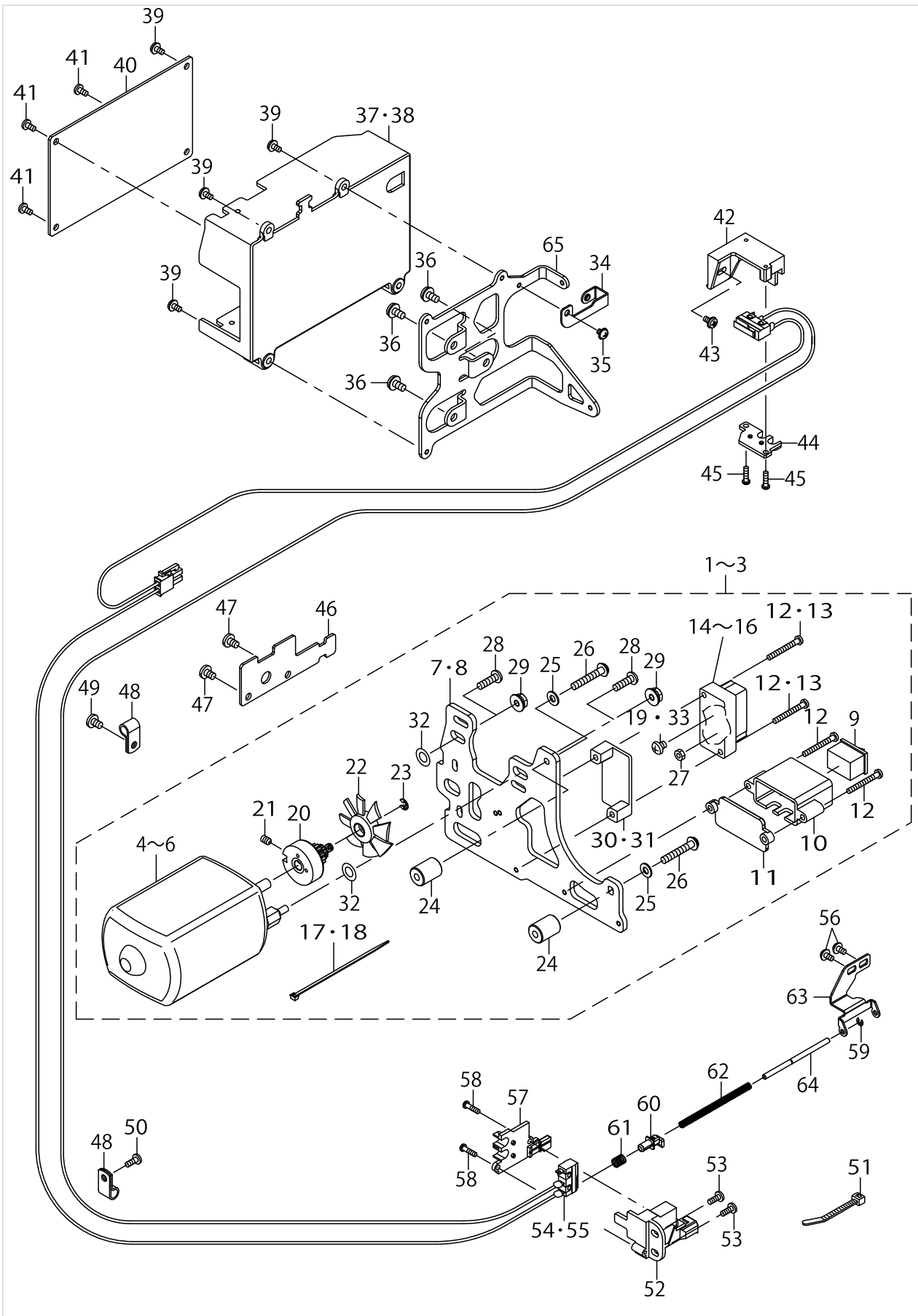
THREAD TENSION COMPONENTS



THREAD TENSION COMPONENTS

No.	Parts No.	Parts name	Remarks	Level	Cons	Qty
1	40134394	TENSION_UNIT_BASE_PLATE				1
2	40136226	THREAD_TENSION_DIAL_ASSY_A	FOR THREAD TENSION DIAL ASSY A			1
3	40136227	THREAD_TENSION_DIAL_ASSY_B	FOR THREAD TENSION DIAL ASSY B			2
4	40136228	THREAD_TENSION_DIAL_ASSY_C	FOR THREAD TENSION DIAL ASSY C			1
5	40134865	THREAD_TENSION_PLATE_ASSY		*		1
6	40134870	THR_TENS_DISC_SET_PLATE		*		1
7	A3910634000B	TENSION DISC		*		2
8	40134392	THR_TENS_RELEASE_PLATE		*		1
9	A3900634000	SPRING HOLDER		*		1
10	A3903634000	SPRING	FOR THREAD TENSION DIAL ASSY A	*		1
11	A3902634000	SPRING	FOR THREAD TENSION DIAL ASSY B	*		1
12	A3906634000	LOWER THREAD TENSION SPRING	FOR THREAD TENSION DIAL ASSY C	*		1
13	40134869	TENSION_ADJUST_NUT		*		1
14	A31099DC000	WASHER		*		1
15	A2110700000	SPRING WASHER		*		1
16	40134108	THREAD_TENSION_DIAL		*		1
17	RE0300000K0	E-RING 3		*		1
18	SM6030502TP	SCREW M3X5				4
19	40141854	SPRING				1
20	WP0641600SD	WASHER M6				1
21	RE0500000K0	E-RING				5
22	A1575110000	THR.TENS.REL.JOINT PLATE				1
23	SM5030655SN	SCREW M3X0.5 L=6				1
24	A1576110000	THR.TENS.REL.LINK GUIDE PLATE				1
25	SM5030655SN	SCREW M3X0.5 L=6				1
26	SM5040855SN	SCREW				2
27	40134871	THR_TENS_RELS_SHAFT				1
28	A1577110000	WASHER				4
29	ST5030851SN	SCREW M5X8				1
30	40140664	FRONT_COVER_BRACKET_R				1
31	40140939	INSULATION CAP	FOR MO-1000,MO-2000QVP			1
32	SL5030831SF	SCREW M3 L=8				1

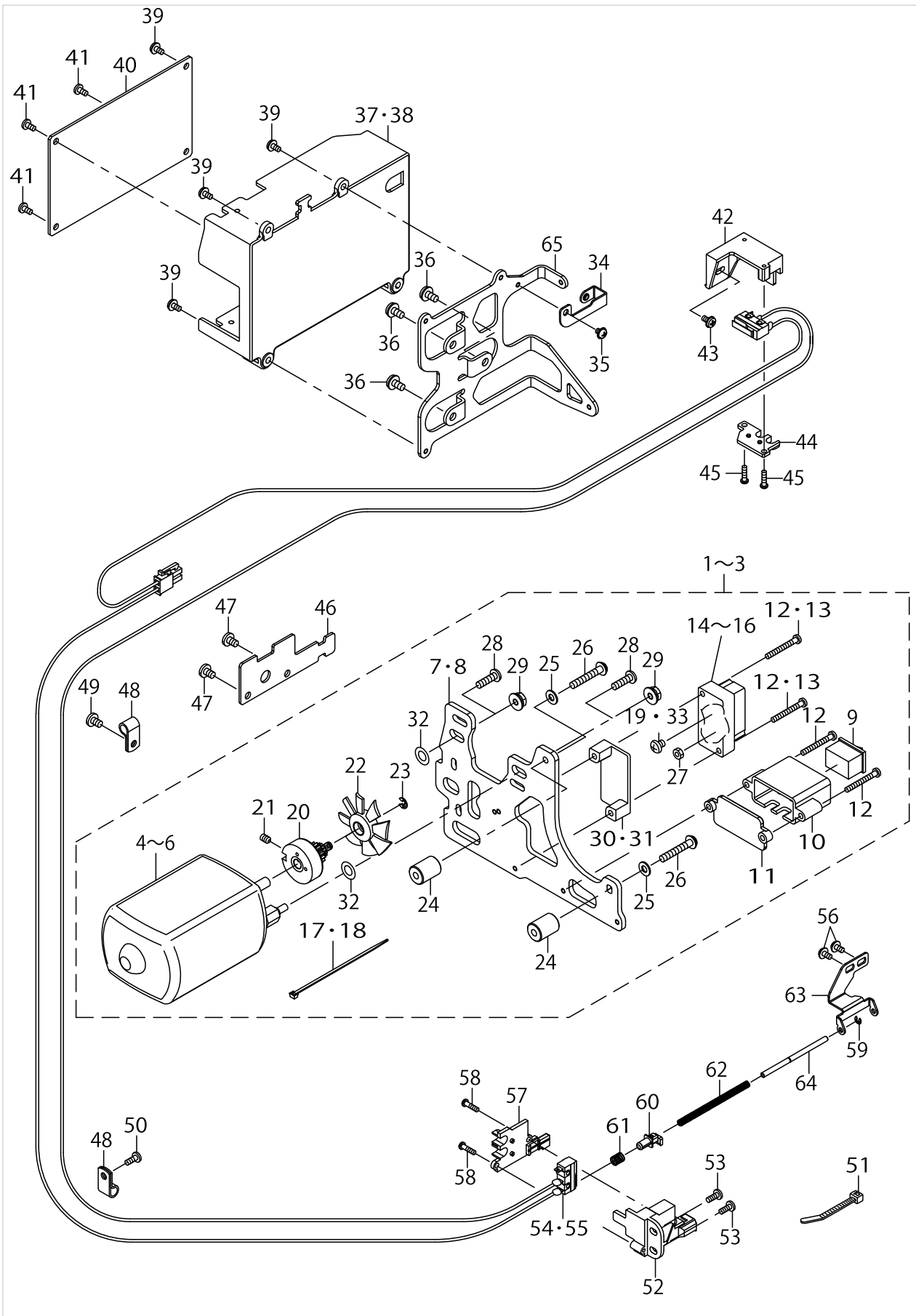
TRANSMISSION & MOTOR COMPONENTS



TRANSMISSION & MOTOR COMPONENTS

No.	Parts No.	Parts name	Remarks	Level	Cons	Qty
1	40141072	MOTOR_SUB_ASSY(DOM)				1
2	40165484	MOTOR_SUB_ASSY(UL/CSA)	FOR UL,CSA			1
3	40141074	MOTOR_SUB_ASSY(CE)	FOR CE			1
4	40140926	MOTOR_ASSY(DOM)		*		1
5	40143351	MOTOR_ASSY(UL)	FOR UL,CSA	*		1
6	40140928	MOTOR_ASSY(CE)	FOR CE	*		1
7	40135591	MOTOR_PLATE		*		1
8	40141237	MOTOR PLAATE MOD	FOR CE	*		1
9	A600364D000	POWER_SUPPLY SWITCH		*		1
10	40135592	SWITCH_COVER		*		1
11	40135593	SWITCH_COVER_BASE		*		1
12	SM4032501SR	SCREW		*		4
13	SM4032201SR	SCREW	FOR CE	*		2
14	A6001102J00A	TERMINAL(DOM)		*		1
15	A6001102G00	TERMINAL(CE)	FOR CE	*		1
16	A6001102U00A	TERMINAL(UL)	FOR UL,CSA	*		1
17	EA9500B0100	CABLE BAND		*		3
18	EA9500B0100	CABLE BAND	FOR CE	*		4
19	SM4040501SN	SCREW M4X0.7 L=5	FOR UL,CSA	*		3
20	A6010130000	INSULATIONMOTOR PULLEY		*		1
21	SM8040602TP	SCREW M4X0.7 L=6		*		1
22	A710000900B	MOTOR SHAFT PULLEY FLANGE		*		1
23	RE0300000K0	E-RING 3		*		1
24	A6350110000	MOTOR FITTING BASE		*		2
25	WP0430801SC	WASHER M4		*		2
26	SL4042551SF	SCREW M4 L=25		*		2
27	NM6030002MZ	NUT M3	FOR CE	*		3
28	SM5041455SN	SCREW	FOR CE	*		2
29	NM3040550SC	FLANGE NUT M4	FOR USE IN JAPAN,UL	*		2
30	40135594	TERMINAL_BOX_BASE		*		1
31	40135595	TERMINAL_COVER	FOR CE	*		1
32	WP0641600SD	WASHER M6	FOR CE	*		2
33	SM4030501SN	SCREW M3 L=5	FOR USE IN JAPAN	*		3
34	40134478	POWER_PCB_GND_PLATE				1
35	SL4030435SF	SCREW M3 L=4				1
36	SL5040835SN	SCREW M4 L=8				3
37	40134095	POWER_PCB_COVER	FOR USE IN JAPAN,CE			1
38	40141851	POWER PCB COVER	FOR UL,CSA			1
39	SL5030631SF	SCREW M3 L=6				4
40	40141082	POWER_SUPPLY				1
41	ST5030651SR	TAPPING SCREW D=3 L=6				3
42	40134874	SAFETY_SW_P_COVER				1
43	SL5030631SF	SCREW M3 L=6				1
44	40134875	SAFETY_SW_P_INSULATION_PLATE				1
45	ST4861051SN	TUPING SCREW				2
46	40134880	CNCT_FIX_PLATE				1
47	SM5040655SN	SCREW				2

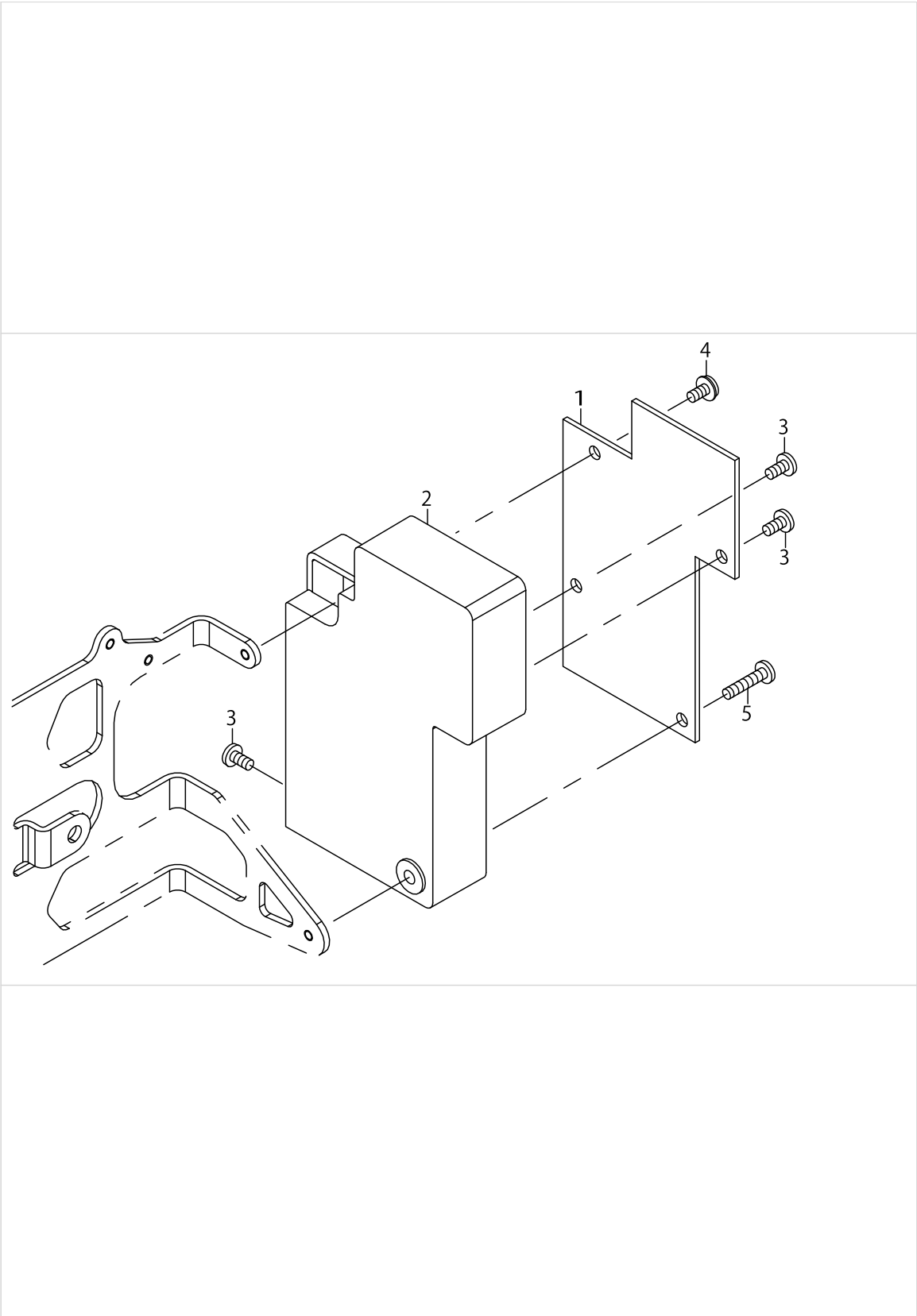
TRANSMISSION & MOTOR COMPONENTS



TRANSMISSION & MOTOR COMPONENTS

No.	Parts No.	Parts name	Remarks	Level	Cons	Qty
48	HX00150000B	CABLE CLAMP				2
49	SM5040655SN	SCREW				1
50	ST5030851SN	SCREW M5X8				1
51	A407855000B	BAND				5
52	40139776	SAFETY_SW_C_COVER				1
53	ST5030851SN	SCREW M5X8				2
54	40134561	SAFETY_SW_CABLE_ASSY(DOM/UL)	FOR USE IN JAPAN,UL			1
55	40140052	SAFETY_SW_CABLE_ASSY(CE)	FOR CE			1
56	SL4030631SC	SCREW M3 L=6				2
57	40139775	SAFETY_SW_C_INSULATION_PLATE				1
58	ST4861051SN	TUPING SCREW				2
59	RE0200000K0	E-RING 2				1
60	40139773	SAFETY_SW_C_PUSH_ROD				1
61	40134879	SAFETY_SW_C_SP				1
62	40134873	SAFETY_SW_PUSH_SP				1
63	40134397	SAFETY_SW_PIN_HOLDER				1
64	40139774	SAFETY_SW_PUSH_PIN				1
65	40134477	PCB_BRACKET				1

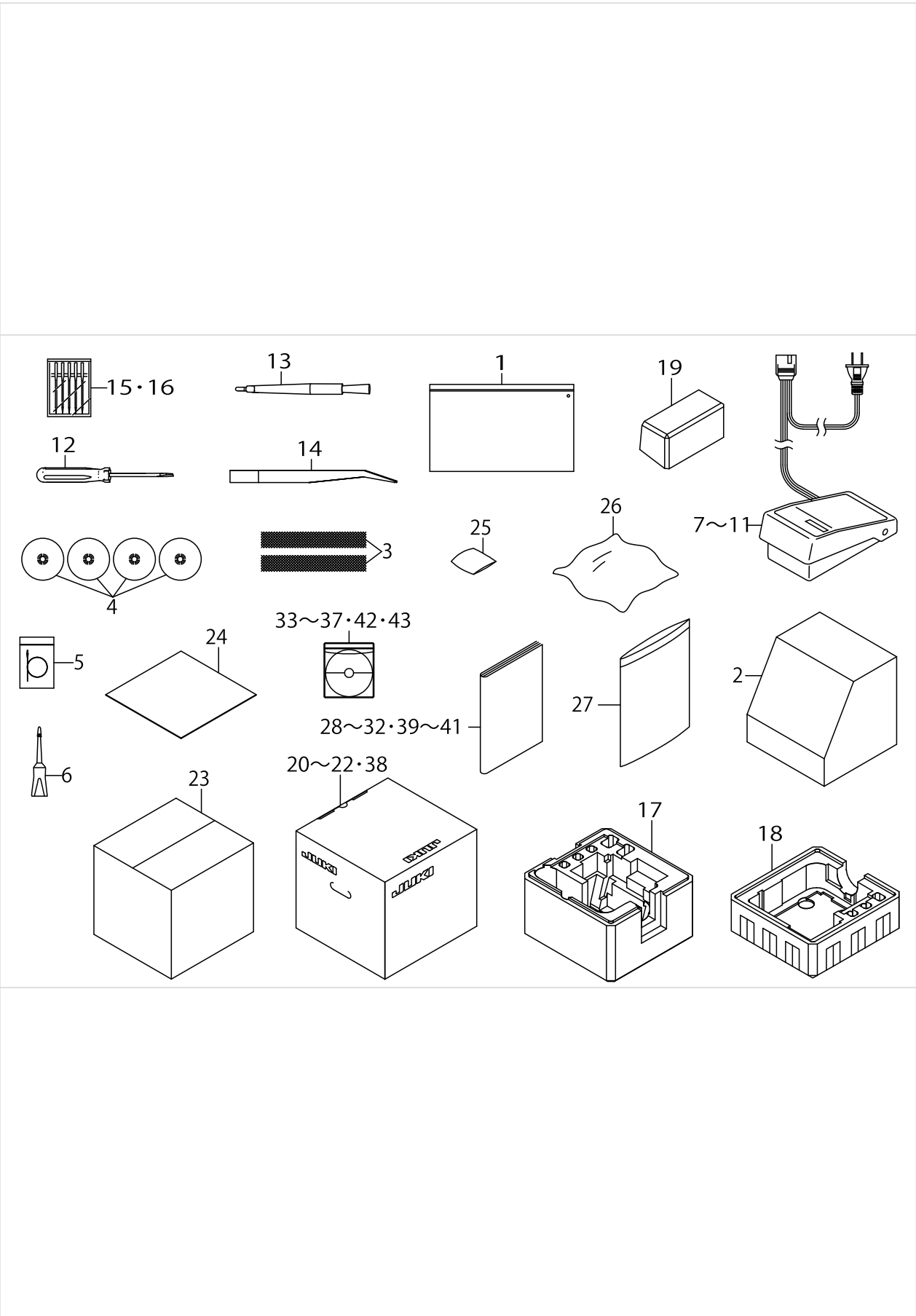
LCD COMPONENTS (FOR MO-1000ML,MO-2000QVP)



LCD COMPONENTS (FOR MO-1000ML,MO-2000QVP)

No.	Parts No.	Parts name	Remarks	Level	Cons	Qty
1	40131829	MPU_PCB_ASSY				1
2	40134076	MPU_PCB_COVER				1
3	ST5030651SR	TAPPING SCREW D=3 L=6				3
4	SL5030631SF	SCREW M3 L=6				1
5	SM5031401SC	SCREW M3 L=14				1

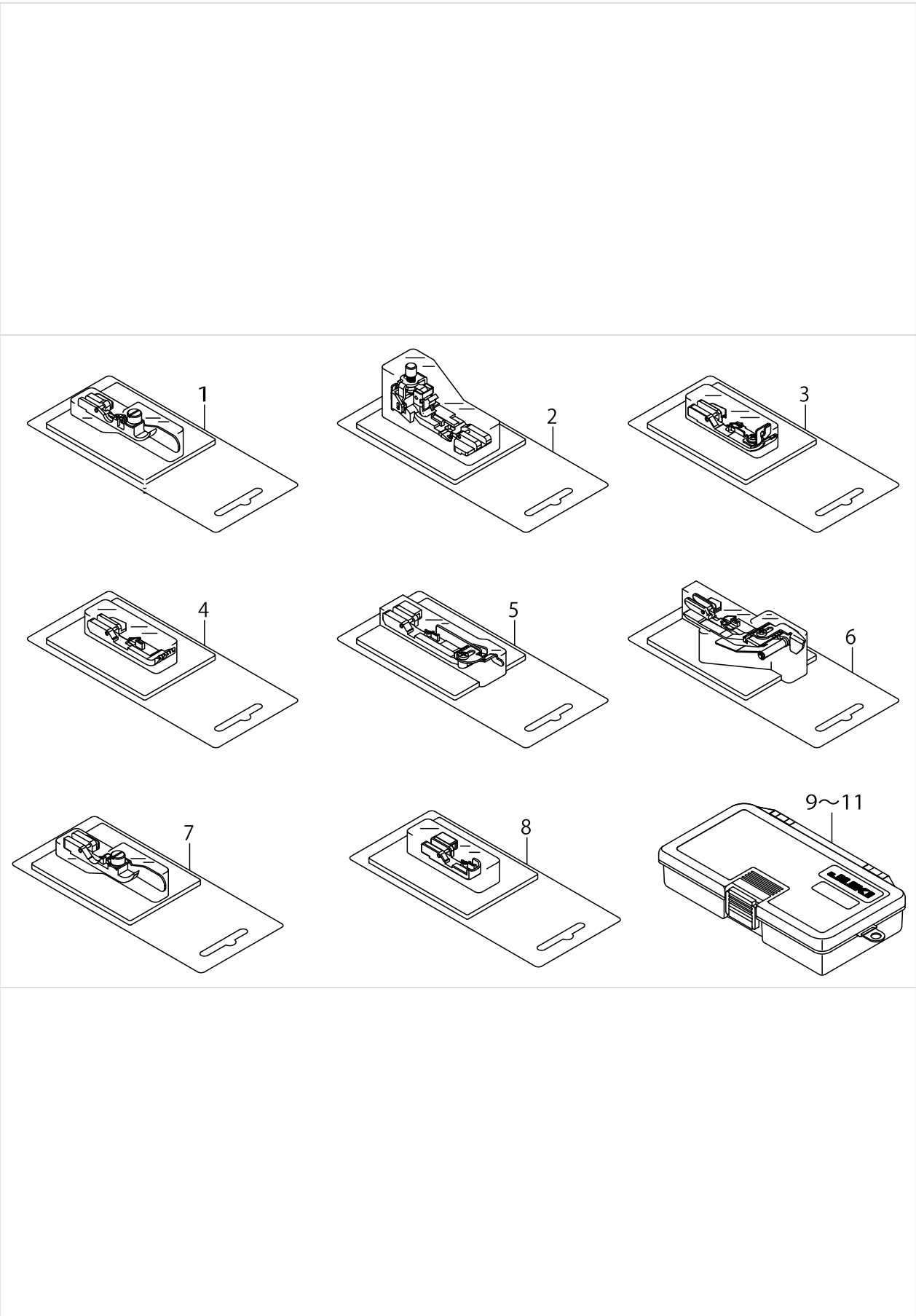
ACCESSORIE PARTS COMPONENTS



ACCESSORIE PARTS COMPONENTS

No.	Parts No.	Parts name	Remarks	Level	Cons	Qty
1	B9101552000	ACCESSORY_BOX				1
2	A9102800000	VINYL_COVER				1
3	A9116335000	PLASTIC_NET				2
4	A9106776000	THREAD_SPOOL_CAP				4
5	40138981	ASSY_LOOPER_THREADING_TOOL				1
6	A91041020A0	OILER_WITH_OIL_ASM	FOR UL,CSA,CE,BS,AUS,CH			1
7	MSA1730AHAJA	CONTROLLER_DOM	FOR USE IN JAPAN(M,ML)			1
8	40166219	FOOT_CONTROLLER_UL/CSA	FOR UL,CSA			1
9	A640111000AB	CONTROLLER_CE	FOR CE,CH			1
10	A640111000CB	CONTROLLER_BS	FOR BS			1
11	A640111000BB	CONTROLLER_AUS	FOR AUS			1
12	A9110776000	SMALL_SCREWDRIVER(-)				1
13	40065952	NEEDLE_INSERTER_TOOL/BRUSH				1
14	A9109202000	TWEEZERS				1
15	A91175030A0	NEEDLE_SET_WITH_CASE	FOR USE IN JAPAN(M,ML)			1
16	A9114C090A0	NEEDLE_CASE_ASM.	FOR UL,CSA,CE,BS,AUS,CH			1
17	40134916	CUSHIONING_TOP_MO-1000				1
18	40134917	CUSHIONING_BOTTOM_MO-1000				1
19	40134999	CUSHIONING_FRONT_MO-1000				1
20	40139186	COLOR_CARTON_CASE_MO-1000M	FOR MO-1000M			1
21	40139294	COLOR_CARTON_CASE_MO-1000ML	FOR MO-1000ML			1
22	40139185	COLOR_CARTON_CASE_MO-1000_F	FOR UL,CSA,CE,BS,AUS,CH			1
23	40139171	CARTON_CASE_PROTECTION_MO-1000_D	FOR CH			1
24	40153068	PACKING_PAD	FOR CH			1
25	J0240082A00	SILICAGEL				1
26	J0231082A0B	COVER				1
27	A9181008000	VINYL				1
28	40134907	INSTRUCTION_MANUAL_MO-1000M	FOR MO-1000M			1
29	40136020	INSTRUCTION_MANUAL_MO-1000ML	FOR MO-1000ML			1
30	40141813	INSTRUCTION_MANUAL_MO-1000_AY	FOR MO-1000/UL,CSA,CE,CE3,BS, AUS			1
31	40141814	INSTRUCTION_MANUAL_MO-1000_BY	FOR MO-1000/CE2,CE3			1
32	40152372	INSTRUCTION_MANUAL_MO-1000_C	FOR CH			1
33	40139060	ASSY_INSTRUCTION_DVD_MO-1000M	FOR MO-1000M			1
34	40139057	ASSY_INSTRUCTION_DVD_MO-1000ML	FOR MO-1000ML			1
35	40139054	ASSY_INSTRUCTION_DVD_MO-1000_NTSC	FOR MO-1000/UL			1
36	40139051	ASSY_INSTRUCTION_DVD_MO-1000_PAL	FOR MO-1000/CE,BS,AUS			1
37	40152559	ASSY_INSTRUCTION_DVD_MO-1000_PAL(CH)	FOR CH			1
38	40166584	COLOR_CARTON_CASE_MO-2000QVP	FOR MO-2000QVP			1
39	40166593	INSTRUCTION_MANUAL_MO-2000QVP_ESF	FOR MO-2000QVP/UL			1
40	40166594	INSTRUCTION_MANUAL_MO-2000QVP_ENG	FOR MO-2000QVP/CE,BS			1
41	40166595	INSTRUCTION_MANUAL_MO-2000QVP_ITA	FOR MO-2000QVP/CE			1
42	40166587	ASSY_INSTRUCTION_DVD_MO-2000QVP_NTSC	FOR MO-2000QVP/UL			1
43	40166590	ASSY_INSTRUCTION_DVD_MO-2000QVP_PAL	FOR MO-2000QVP/CE,BS			1

OPTION COMPONENTS



OPTION COMPONENTS

No.	Parts No.	Parts name	Remarks	Level	Cons	Qty
1	40138091	BLIND_STITCH_PRESSER_FOOT_BLISTER_ASM				1
2	40138095	ERASTICATOR_P_FOOT_BLISTER_ASM				1
3	40138099	CORDING_PRESSER_FOOT_BLISTER_ASM				1
4	40138103	PIPING_PRESSER_FOOT_BLISTER_ASM				1
5	40138106	BEADING_PRESSER_FOOT_BLISTER_ASM				1
6	40138121	GATHERING_PRESSER_FOOT_BLISTER_ASM				1
7	40149058	UNIV_BLIND_STITCH_FOOT_BLISTER_ASM				1
8	40149059	CURVE_PEARL_P_FOOT_BLISTER_ASM				1
9	40149060	3PCS_PRESSER_FOOT_ATTACHMENT_KIT				1
10	40149061	6PCS_PRESSER_FOOT_ATTACHMENT_KIT				1
11	40149062	8PCS_PRESSER_FOOT_ATTACHMENT_KIT				1

HOW TO MAKE USE OF THIS PARTS LIST

1.As to "#01" and "#02" refer to the "Note" given at the bottom of the respective pages.

2.Codes on the "Qty" column

- Each numeral indicates the number of parts required.
- "0.1" and "2.5" indicate the length (in meters) of the respective parts.

3.Parentheses mean that the corresponding part is a subpart that constructs an assembly part.

4.Dotted lines on the Figures indicate assembly parts.

1. リストページの# 0 1、# 0 2の印は、ページ下の"注記"の説明を参照下さい。
2. 数量欄の数字は、個数を表し、0. 1、2. 5等の数値は、長さ（単位メートル）を表します。
3. 数量欄の（ ）は、組部品を構成している子部品であることを意味します。
4. イラストページの-----枠は、組構成であることを意味します。

NUMERICAL INDEX OF PARTS

PART NO	PAGE	REF NO.	PART NO	PAGE	REF NO.	PART NO	PAGE	REF NO.
174803004000	34	29	40134321	26	1	40134389	18	86
40056010	30	7	40134322	6	6	40134390	18	87
40065952	44	13	40134323	6	7	40134391	18	89
40131829	42	1	40134324	6	9	40134392	36	8
40131834	6	30	40134325	6	11	40134394	36	1
40134021	2	6	40134326	4	6	40134395	2	11
40134022	6	2	40134327	6	39	40134397	40	63
40134025	6	23	40134328	4	14	40134400	14	12~14
40134028	6	24	40134332	32	80	40134402	14	1
40134031	6	20~ 22-49	40134333	12	1	40134403	14	2
40134034	6	20~ 22-49	40134337	12	11	40134404	14	3
40134037	6	20~ 22-49	40134338	12	14	40134405	14	4
40134038	32	62	40134339	12	16	40134406	14	6
40134040	4	2	40134340	12	25	40134407	14	10
40134046	4	13-33	40134341	12	26	40134408	14	15
40134051	12	4	40134343	24	58	40134409	14	17
40134056	34	32	40134344	22	20	40134411	22	11
40134057	34	36	40134347	22	19	40134412	22	15
40134058	34	38	40134348	22	40	40134413	22	34
40134063	16	2	40134349	22	42	40134413	26	4
40134065	16	4	40134350	24	48	40134414	22	29
40134069	6	26	40134351	24	49	40134415	22	30
40134070	6	28	40134352	22	36	40134416	22	35
40134073	6	29	40134354	24	52	40134417	22	37
40134076	42	2	40134355	24	54	40134419	26	7
40134077	6	15	40134356	34	2	40134421	26	12
40134078	6	16	40134358	34	5	40134422	26	13
40134080	14	5	40134362	34	15	40134423	26	14
40134081	14	8	40134363	34	23	40134426	26	21
40134083	26	38	40134365	34	28	40134427	26	22
40134084	26	40	40134367	34	34	40134428	26	23
40134085	26	42	40134368	34	35	40134430	26	24
40134086	28	49	40134370	10	1	40134431	26	25
40134087	28	54	40134373	16	3	40134432	26	27
40134088	28	56	40134374	16	5	40134433	26	28
40134089	28	58	40134375	16	28	40134434	26	29
40134090	28	59	40134376	16	32	40134436	26	32
40134091	32	68	40134377	16	33	40134438	26	36
40134094	32	76	40134378	18	51	40134442	28	51
40134095	38	37-38	40134379	18	55	40134443	28	62
40134096	8	50	40134380	18	58	40134444	28	64
40134104	22	28	40134381	18	61	40134445	30	3
40134108	36	16	40134382	18	65	40134446	30	5
			40134387	18	67	40134447	30	2
			40134388	18	70	40134448	30	8

NUMERICAL INDEX OF PARTS

PART NO	PAGE	REF NO.	PART NO	PAGE	REF NO.	PART NO	PAGE	REF NO.
40134449	30	10			28~			33~
40134450	30	13	40134907	44	32·39~	40139054	44	37·42·43
40134451	30	14			41			33~
40134452	30	15	40134916	44	17	40139057	44	37·42·43
40134454	30	24	40134917	44	18	40139060	44	33~
40134456	30	18	40134941	2	3			37·42·43
40134457	30	19	40134999	44	19	40139171	44	23
40134458	30	22	40135000	12	8	40139185	44	20~
40134461	30	32	40135001	4	16			22·38
40134462	30	37	40135002	4	17	40139186	44	20~
40134463	30	41	40135003	4	18			22·38
40134464	30	17	40135004	4	19	40139204	10	9
40134465	30	44	40135476	6	31	40139294	44	20~
40134468	32	50	40135477	14	18			22·38
40134470	32	55	40135591	38	7·8	40139750	30	42
40134471	32	57	40135592	38	10	40139773	40	60
40134473	32	64	40135593	38	11	40139774	40	64
40134475	30	31	40135594	38	30·31	40139775	40	57
40134476	32	78	40135595	38	30·31	40139776	40	52
40134477	40	65	40135615	34	46	40139918	4	15
40134478	38	34	40135643	10	10	40140052	40	54·55
40134480	32	39·82	40136011	26	46	40140664	36	30
40134481	30	39·82			28~	40140665	6	18
40134484	6	25	40136020	44	32·39~	40140926	38	4~6
40134561	40	54·55			41	40140928	38	4~6
40134563	6	13	40136206	6	1	40140939	36	31
40134564	6	14	40136212	2	5	40141072	38	1~3
40134842	22	3	40136215	4	1	40141074	38	1~3
40134843	22	4	40136217	6	34·35	40141082	38	40
40134844	22	5	40136226	36	2~4	40141151	22	22
40134845	22	8	40136227	36	2~4	40141237	38	7·8
40134854	34	24	40136228	36	2~4			28~
40134861	10	2	40136252	30	1	40141813	44	32·39~
40134862	10	3	40136253	30	12			41
40134864	10	4	40136267	22	1	40141814	44	32·39~
40134865	36	5	40136268	22	27			41
40134869	36	13	40136271	16	1	40141851	38	37·38
40134870	36	6	40138091	46	1	40141854	36	19
40134871	36	27	40138095	46	2	40142108	12	33
40134873	40	62	40138099	46	3	40142844	26	10
40134874	38	42	40138103	46	4	40143079	22	21
40134875	38	44	40138106	46	5	40143080	22	32
40134879	40	61	40138121	46	6	40143101	26	45
40134880	38	46	40138126	6	45·46	40143102	28	67
40134900	32	63	40138981	44	5	40143351	38	4~6
			40139051	44	33~	40143792	4	7
					37·42·43	40143819	2	1

NUMERICAL INDEX OF PARTS

PART NO	PAGE	REF NO.	PART NO	PAGE	REF NO.	PART NO	PAGE	REF NO.
40143822	2	16	40166219	44	7~11	A1414502000	12	23
40143823	26	8	40166565	8	20~	A1416777000	12	10
40143824	26	5			22·49	A1421776000	4	30
40144426	26	34	40166567	4	13·33	A1424777000	34	40
40144427	26	30	40166584	44	20~	A1502110000	10	11
40144945	32	70			22·38	A1504110000A	10	15
40146076	34	4	40166586	6	34·35	A1505110000	10	17
40146324	30	30	40166587	44	33~	A1506110000	10	19
40146325	32	72			37·42·43	A1507110000	10	13
40146338	30	26	40166590	44	33~	A15141100A0B	10	8
40146456	30	27			37·42·43	A15141100B0B	10	6
40146457	30	28	40166593	44	28~	A1516110000	10	7
40148165	30	29			32·39~	A15611100A0	10	20
40148285	20	95	40166594	44	28~	A15643240A0	10	22
40149058	46	7			41	A1568110000	10	25
40149059	46	8	40166595	44	28~	A15701100A0	10	27
40149060	46	9~11			32·39~	A1575110000	36	22
40149061	46	9~11	A1118776000B	4	41	A1576110000	36	24
40149062	46	9~11	A1120202000	4	26	A1577110000	36	28
40150050	26	15	A11207760A0B	4	29	A1610655000	16	7
40150053	26	17	A11211100A0	4	32	A1611655000	16	6
40150054	26	37	A1121776000	4	31	A1612535000	18	73
40150136	26	19	A1123535000	2	28	A1613535000	18	75
40150718	34	6	A1130535000	6	7	A1613655000	16	10
40150721	34	8	A1135535000	2	42	A1614534D00	16	19
40150722	34	12	A11381100A0	4	14	A1614655000	16	13
40150725	34	25	A1138335000	2	3	A1615534D00	16	16
40150727	34	42	A1145110000	2	4	A1616030Z00	18	53
40150729	34	1	A1152110000	6	10	A1616534D00	18	64
40150730	34	10	A1154110000	6	3	A1618534D0A	30	6
40150731	34	13	A1155110000	6	40	A16196550A0	16	11
40150732	34	21	A1156776000	6	41	A1620534DA0	16	18
40150733	34	26	A1157776000	6	37	A1630534D00	16	14
40150736	34	30	A1160634000	4	45·46	A1630535000	18	69
40152314	22	2	A116731500AA	34	23	A1633534D00	16	27
40152315	22	17	A1205634000	12	20	A1634655000A	16	23
40152316	22	10	A1206102000	12	6	A1637534D00	18	60
		28~	A1206202000	12	3	A1638776000	18	63
40152372	44	32·39~	A1206335000	12	32	A1650534D00	18	84
		41	A1230500000A	12	31	A1651534D00	18	77
40152469	32	54	A1403102000	12	5	A1652534D00	18	78
		33~	A1404535000	12	17	A1653776000	16	43
40152559	44	37·42·43	A14065340A0	12	19	A1654776000A	18	48
40153068	44	24	A1407102000	12	7	A1655534D00	16	20
40153192	32	48	A1412535000	12	30	A1657534DA0	16	44
40165484	38	1~3			13			

NUMERICAL INDEX OF PARTS

PART NO	PAGE	REF NO.	PART NO	PAGE	REF NO.	PART NO	PAGE	REF NO.
A1660534D00A	16	36	A640111000CB	44	7~11	RE0300000K0	38	23
A1660800000	16	42	A710000900B	38	22	RE0400000K0	10	21
A16618000A0	16	39	A7117010000	30	46	RE0400000K0	16	92
A1663534D00	18	49	A9102800000	44	2	RE0400000K0	18	92
A1664534D00	16	38	A91041020A0	44	6	RE0500000K0	2	13
A1665534D00	18	80	A9106776000	44	4	RE0500000K0	10	18
A2110700000	36	15	A9109202000	44	14	RE0500000K0	16	90
A2501534000A	22	24	A9110776000	44	12	RE0500000K0	18	90
A2502534000A	22	26	A9114C090A0	44	15·16	RE0500000K0	26	33
A2503776000	22	45	A9116335000	44	3	RE0500000K0	36	21
A2504776000	22	46	A91175030A0	44	15·16	RE0600000K0	12	21
A2505776000	22	43	A9181008000	44	27	RE0600000K0	24	51
A2515534000A	24	57	B9101552000	44	1	RE0600000K0	30	71
A2529335000	18	85	EA9500B0100	38	17·18	RE0600000K0	32	71
A2538554000	6	19	HX00150000B	40	48	RO037180100	26	11
A2561777000	24	56	J0231082A0B	44	26	SL4030435SF	38	35
A3107776000A	4	9	J0240082A00	44	25	SL4030631SC	6	44
A31099DC000	30	47	MC221500800	12	28·29	SL4030631SC	40	56
A31099DC000	36	14	MHA100B1100	12	28·29	SL4030891SC	26	41
A3110130000	6	5	MSA1730AHAJA	44	7~11	SL4040855SN	4	22
A3110202000	6	8	NM3040550SC	38	29	SL4042551SF	38	26
A3171800000	4	8	NM6020003SR	26	44	SL5030631SF	24	55
A3176776000	4	10	NM6030002MZ	38	27	SL5030631SF	28	57
A3205555A00	22	12	PH0200062C0	32	77	SL5030631SF	38	43
A3205555A00	32	67	PH0200062C0	34	37	SL5030631SF	42	4
A3811550000	28	48	PS0100052KP	34	7	SL5030831SF	4	12
A3900634000	36	9	PS0200082KP	32	53	SL5030831SF	36	32
A3902634000	36	10~12	PS0200122KP	26	39	SL5031031SN	6	12
A3903634000	36	10~12	PS0400322KP	12	2	SL5040835SN	2	2
A3906634000	36	10~12	RC0150001KP	18	72	SL5040835SN	16	30
A3910634000B	36	7	RE0120000K0	22	7	SL5040835SN	28	65
A407855000B	28	66	RE0150000K0	34	19	SL5040835SN	38	36
A407855000B	40	51	RE0200000K0	34	44	SL6030692TN	26	18
A4123335000	32	60	RE0200000K0	40	59	SM1030601SP	30	25
A4124335000	32	58	RE0300000K0	4	20	SM1040801SN	30	36
A4149535000	32	66	RE0300000K0	6	43	SM4020201SC	34	14
A415613M000	34	33	RE0300000K0	10	29	SM4020351SC	34	22
A6001102G00	38	14~16	RE0300000K0	14	7	SM4021201SC	26	43
A6001102J00A	38	14~16	RE0300000K0	16	83	SM4030301SC	10	5
A6001102U00A	38	14~16	RE0300000K0	18	83	SM4030455SN	12	9
A600364D000	38	9	RE0300000K0	28	63	SM4030501SN	38	19·33
A6010130000	38	20	RE0300000K0	30	52	SM4030655SP	18	59
A6350110000	38	24	RE0300000K0	32	52	SM4030655SP	22	38
A640111000AB	44	7~11	RE0300000K0	34	41	SM4030655SP	26	52
A640111000BB	44	7~11	RE0300000K0	36	17	SM4030655SP	28	52

NUMERICAL INDEX OF PARTS

PART NO	PAGE	REF NO.	PART NO	PAGE	REF NO.	PART NO	PAGE	REF NO.
SM4030655SP	32	59	SM5051255SN	2	8	WP0320501SC	28	60
SM4030655SP	34	31	SM6030502TP	14	19	WP0320501SC	34	16
SM4031851SF	34	43	SM6030502TP	36	18	WP0430801SC	4	25
SM4032201SR	38	12·13	SM8020202UZ	34	3	WP0430801SC	10	28
SM4032501SR	38	12·13	SM8030302TP	18	57	WP0430801SC	16	82
SM4040501SN	38	19·33	SM8030302TP	22	33	WP0430801SC	18	82
SM4040655SN	12	15	SM8030302TP	30	16	WP0430801SC	28	55
SM4040655SN	18	76	SM8030312TP	22	16	WP0430801SC	30	20
SM4040655SN	30	86	SM8030312TP	28	68	WP0430801SC	34	39
SM4040655SN	32	86	SM8030312TP	32	73	WP0430801SC	38	25
SM4040855SN	24	59	SM8030402TP	14	16	WP0520316RZ	18	93·94
SM4850455SP	30	45	SM8030402TP	18	79	WP0520516RZ	18	93·94
SM5020301SC	22	9	SM8030402TP	22	18	WP0641600SD	36	20
SM5020301SC	34	27	SM8040402TP	10	26	WP0641600SD	38	32
SM5030455SF	2	12	SM8040402TP	12	24	WP0820316RZ	30	84·85
SM5030455SF	10	23	SM8040402TP	18	91	WP0820316RZ	32	84·85
SM5030455SF	14	11	SM8040402TP	22	44	WP0820516SP	12	20
SM5030455SF	32	79	SM8040412TP	26	26	WP0820516SP	24	50
SM5030655SN	10	24	SM8040602TP	18	71	WP0820516SP	30	84·85
SM5030655SN	16	54	SM8040602TP	22	47	WP0820516SP	32	84·85
SM5030655SN	18	54	SM8040602TP	30	75	WP0820516SP	34	47
SM5030655SN	22	31	SM8040602TP	32	75	WP0841600SE	34	45
SM5030655SN	32	81	SM8040602TP	38	21	WZ0320290UZ	34	17
SM5030655SN	36	25	SM8050402TP	10	12			
SM5030855SN	16	40	SM8050602TP	12	27			
SM5030855SN	22	13	SM8050602TP	22	41			
SM5030855SN	30	83	SM9040803SD	32	74			
SM5030855SN	32	83	SM9050850SP	22	23			
SM5031001SE	16	37	ST4021251SN	14	9			
SM5031201SN	26	9	ST4861051SN	38	58			
SM5031401SC	42	5	ST4861051SN	40	58			
SM5040655SN	14	14	ST5030651SR	4	5			
SM5040655SN	16	96	ST5030651SR	38	41			
SM5040655SN	20	96	ST5030651SR	42	3			
SM5040655SN	38	49	ST5030851SN	2	9			
SM5040655SN	40	49	ST5030851SN	4	11			
SM5040855SN	2	15	ST5030851SN	6	38			
SM5040855SN	6	47	ST5030851SN	28	61			
SM5040855SN	10	16	ST5030851SN	36	29			
SM5040855SN	26	2	ST5030851SN	40	53			
SM5040855SN	36	26	ST5031051SN	6	10			
SM5041055SN	6	33	ST5041051SN	4	27			
SM5041055SN	16	34	WP0220301SC	22	6			
SM5041255SN	8	48	WP0310316RZ	30	11			
SM5041455SN	38	28	WP0320501SC	4	4			