

MODEL : HZL-G Series
List No : 6023-02

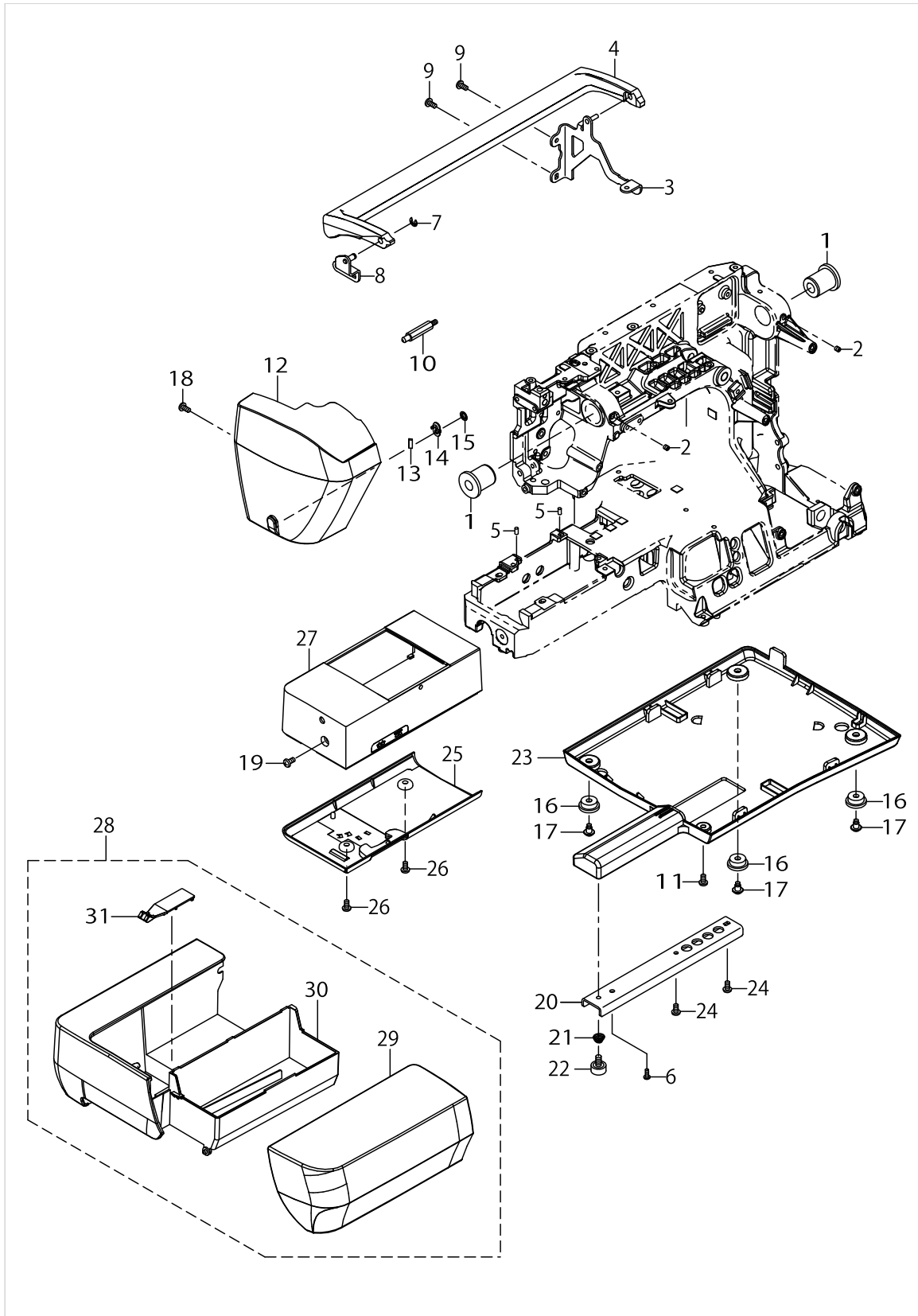
PARTS LIST

Published:12/13/2017

CONTENTS

FRAME MISCELLANEOUS COVER COMPONENTS (1).....	1
FRAME MISCELLANEOUS COVER COMPONENTS (2).....	3
THROAT PLATE COMPONENTS.....	7
UPPER SHAFT & TAKE UP COMPONENTS.....	9
NEEDLE BAR & NEEDLE THREADER COMPONENTS.....	11
PRESSER MECHANISM & NEEDLE THROWING COMPONENTS.....	13
FEED MECHANISM COMPONENTS.....	17
LOWER SHAFT & HOOK COMPONENTS.....	21
THREAD TRIMMER COMPONENTS (FOR G210).....	25
THREAD TENSION COMPONENTS.....	29
BOBBIN WINDER COMPONENTS.....	33
POWER SUPPLY & MAIN MOTOR COMPONENTS.....	35
ACCESSORIE PARTS COMPONENTS.....	37
PACKING MATERIAL COMPONENTS.....	39
OPTIONAL ACCESSORY PARTS COMPONENTS.....	41
HOW TO MAKE USE OF THIS PARTS LIST.....	43

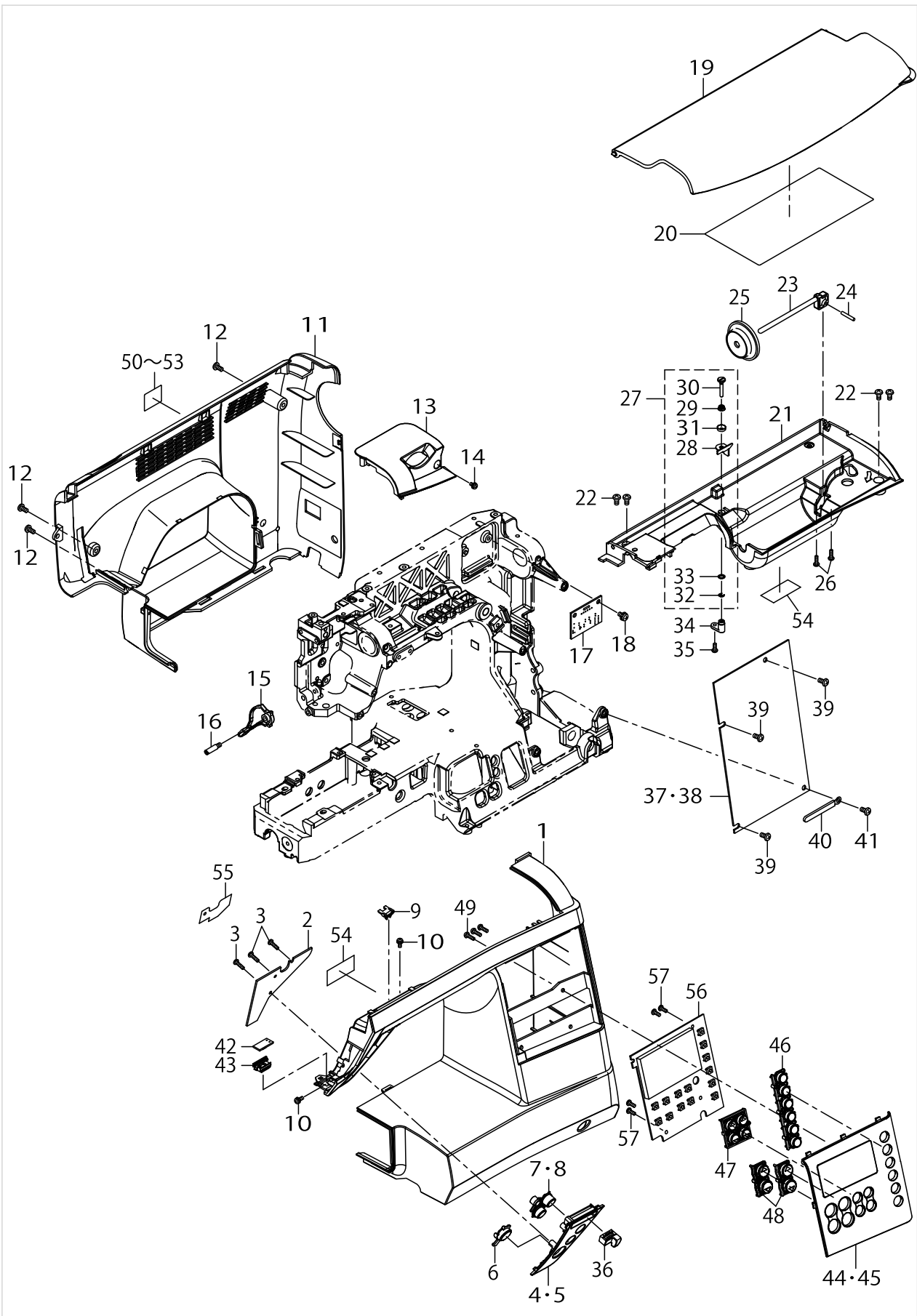
FRAME MISCELLANEOUS COVER COMPONENTS (1)



FRAME MISCELLANEOUS COVER COMPONENTS (1)

No.	Parts No.	Parts name	Remarks	Level	Cons	Qty
1	40053485	UPPER SHAFT BUSHING				2
2	SM8040412TP	SET SCREW M4 L=4				2
3	40107895	HANDLE BRACKET ASSY				1
4	40059249	HANDLE				1
5	PH0300062C0	PIN				2
6	ST5030851SN	SCREW M5X8				1
7	RE0400000K0	E-RING 4				1
8	40062500	HANDLE BRACKET L ASSY				1
9	SM5040855SN	SCREW				2
10	40107898	FACE COVER GUIDE SHAFT				1
11	SM5040855SN	SCREW				1
12	40107428	FACE COVER				1
13	A3711010000A	TOP THREADING CUTTER				1
14	40072395	CUTTER HOLDER				1
15	A3205555A00	LOCKNUT				1
16	40057990	RUBBER WASHER				3
17	40057922	RUBBER WASHER SCREW				3
18	SM5040855SN	SCREW				1
19	SM5040855SN	SCREW				1
20	40107899	BED REINFORCING PLATE				1
21	A1159770000	HEIGHT ADJUSTING SPRING				1
22	40057991	HEIGHT ADJUSTING RUBBER				1
23	40107435	BED COVER DOMESTIC				1
24	SM5040855SN	SCREW				2
25	40053685	FREE ARM LOWER COVER				1
26	SM5040855SN	SCREW				2
27	40053686	FREE ARM UPPER COVER				1
28	40107566	ASSY AUXILIARY BED				1
29	40107567	AUXILIARY BED COVER		*		1
30	40053683	AUXILIARY BED		*		1
31	40064571	AUXILIARY BED CLICK		*		1

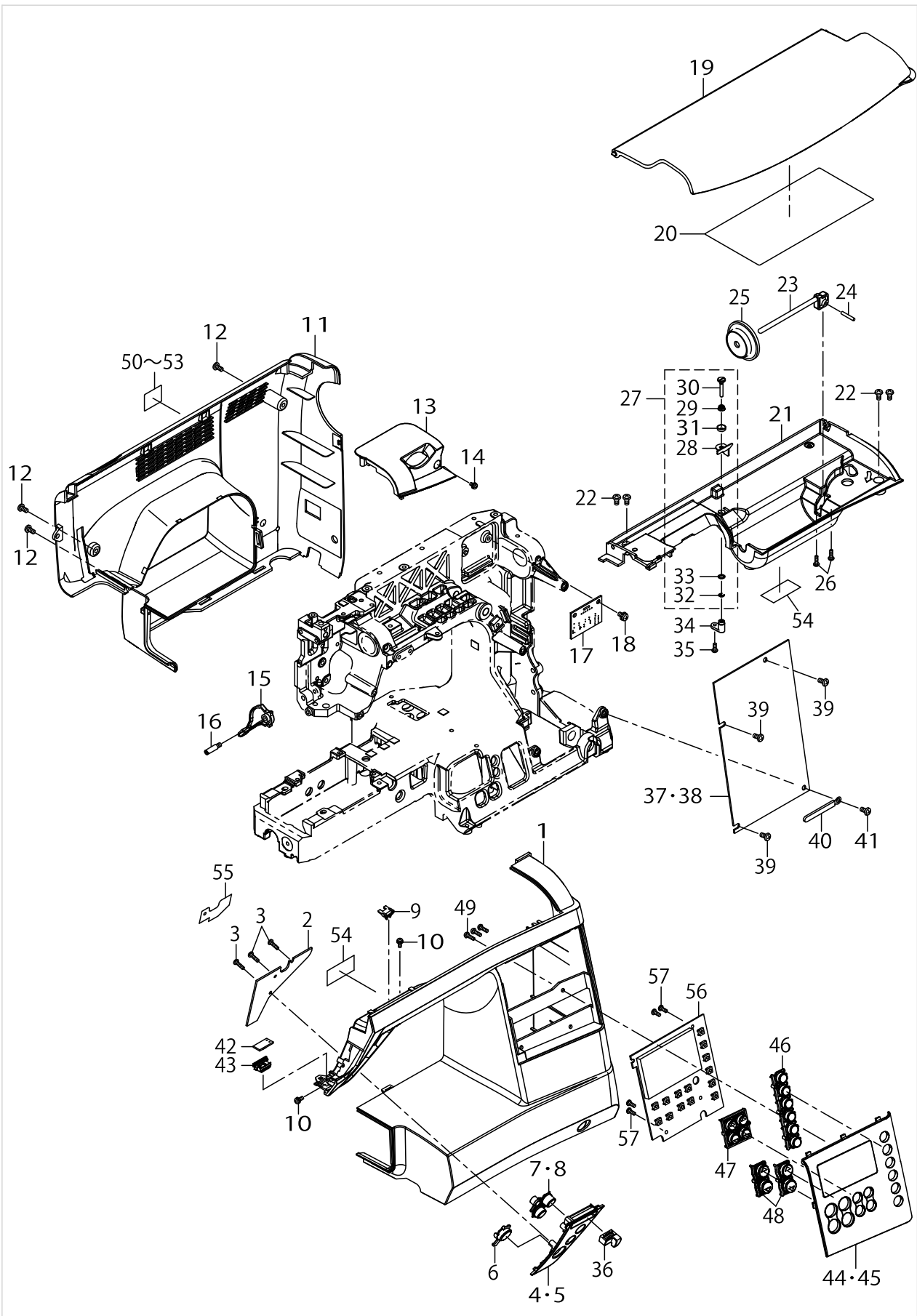
FRAME MISCELLANEOUS COVER COMPONENTS (2)



FRAME MISCELLANEOUS COVER COMPONENTS (2)

No.	Parts No.	Parts name	Remarks	Level	Cons	Qty
1	40107431	FRONT PANEL				1
2	40105670	ASSY SW/VR CIRCUIT BOARD				1
3	ST5031251SS	SCREW				3
4	40107458	OPERATION PANEL G110	FOR G110(UL),G110(CE)			1
5	40107455	OPERATION PANEL G210	FOR G210(UL),G210(CE)			1
6	40107585	SS BUTTON				1
7	40107598	REVERSE TC BUTTON A	FOR G110(CE),G210(CE)			1
8	40107599	REVERSE TC BUTTON B	FOR G110(UL),G210(UL)			1
9	40069623	SLIDE VR CONNECT PART				1
10	SL4030891SC	SCREW M3X8				2
11	40107439	REAR PANEL DOMESTIC				1
12	SM5040855SN	SCREW				3
13	40107448	TT COVER DOMESTIC				1
14	SL4030691SC	SCREW M3 L=6				1
15	40055401	LIFTER LEVER				1
16	40070284	LIFTER LEVER SHAFT				1
17	40056554	ASSY SYNC CIRCUIT BOARD				1
18	SM5040855SN	SCREW				1
19	40107451	ARM COVER				1
20	40108202	PATTERN SEAL FOREIGN				1
21	40107452	SPOOL COVER				1
22	SM5040855SN	SCREW				4
23	40058088	SPOOL PIN				1
24	PH0300182C0	PARALLEL PIN				1
25	A1145E50000	SPOOL CAP				1
26	ST5031051SN	TAPPING SCREW				2
27	40064572	ASSY THREAD GUIDE BASE				1
28	40062034	THREAD GUIDE BASE		*		1
29	A3234550000	THREAD GUIDE BASE SPRING		*		1
30	A3235030Z00A	THREAD GUIDE DISK SHAFT		*		1
31	A3233731000	THREAD GUIDE DISK		*		1
32	A3236880000	E-RING		*		1
33	A3237880000	WASHER		*		1
34	A1139030Z00	THREAD GUIDE MOUNTING PLATE				1
35	ST5031051SN	TAPPING SCREW				1
36	40107600	SLIDE VR				1
37	40105360	ALL ASSY CPU PCB G110	FOR G110(UL),G110(CE)			1
38	40107480	ALL ASSY CPU PCB G210	FOR G210(UL),G210(CE)			1
39	SM5040855SN	SCREW				3
40	A3811550000	CORD HOLDER				1
41	SM5040855SN	SCREW				1
42	40056548	ASSY ON HAND LED CIRCUIT BOARD				1
43	40059167	LED LAMP COVER R				1
44	40107581	PATTERN PANEL G110 ASSY	FOR G110(UL),G110(CE)			1
45	40107577	PATTERN PANEL G210 ASSY	FOR G210(UL),G210(CE)			1
46	40107596	FUNCTION BUTTON				1
47	40107595	SHIFT BUTTON S				1

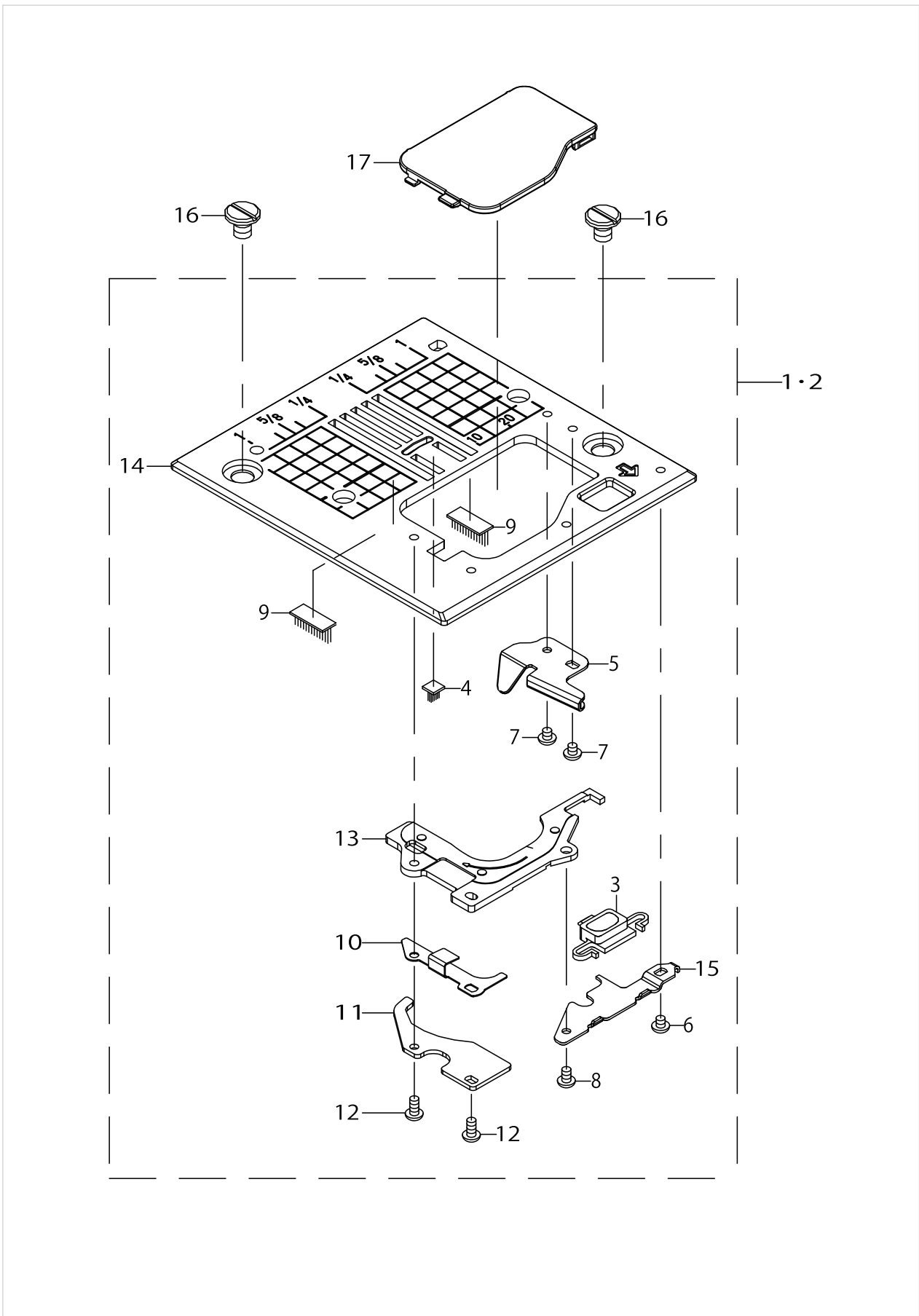
FRAME MISCELLANEOUS COVER COMPONENTS (2)



FRAME MISCELLANEOUS COVER COMPONENTS (2)

No.	Parts No.	Parts name	Remarks	Level	Cons	Qty
48	40107594	SHIFT BUTTON L				2
49	ST5031051SN	TAPPING SCREW				3
50	40108208	RATING LABEL G110 UL	FOR G110(UL)			1
51	40108212	RATING LABEL G110 CE/BS	FOR G110(CE)			1
52	40108206	RATING LABEL G210 UL	FOR G210(UL)			1
53	40108210	RATING LABEL G210 CE/BS	FOR G210(CE)			1
54	A3922980000	START SWITCH LEAD TAPE				1
55	40107900	INSULATION SEAT				1
56	40104568	ASSY PANEL CIRCUIT BOARD FOREIGN				1
57	ST5030851SN	SCREW M5X8				4

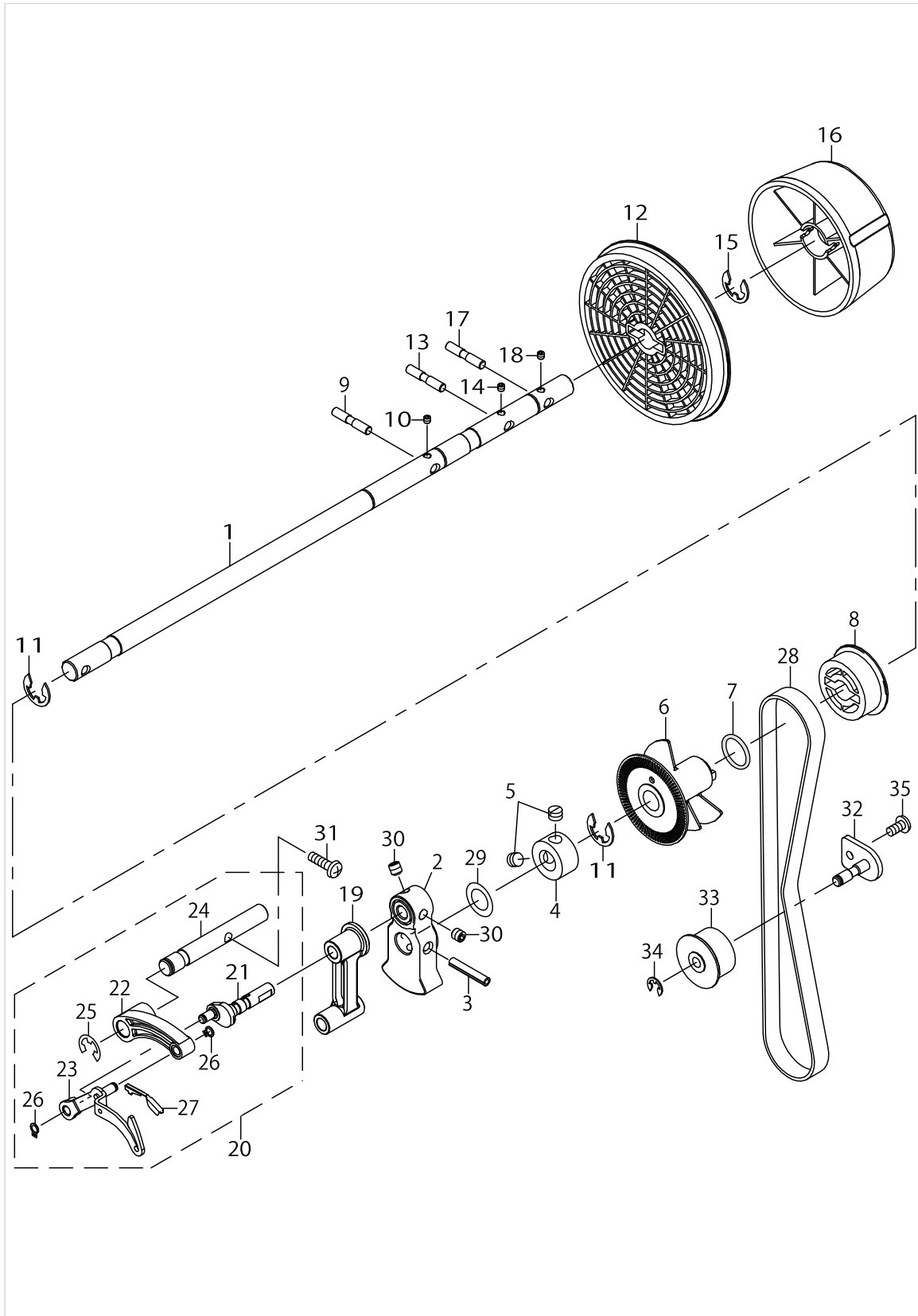
THROAT PLATE COMPONENTS



THROAT PLATE COMPONENTS

No.	Parts No.	Parts name	Remarks	Level	Cons	Qty
1	40111151	ASSY_THROAT_PLATE_G100	FOR G110			1
2	40111549	ASSY_THROAT_PLATE_G210	FOR G210			1
3	A1114010000A	HOOK COVER OPEN/CLOSE BUTTON		*		1
4	40064702	THROAT PLATE PILE B		*		1
5	40065631	HOOK COVER SUPPORT PLATE		*		1
6	SM4020201SC	SCREW M2 L=2		*		1
7	SM4020201SC	SCREW M2 L=2		*		2
8	SM4020301SC	SCREW M2X0.4 L=3		*		1
9	A1117008000	NEEDLE PLATE PILEA	FOR G210	*		2
10	A1111008000	HOOK COVER SPRING		*		1
11	40110417	STOPPING PLATE LEFT		*		1
12	SM4020401SF	SCREW M2 L=4		*		2
13	40107608	INNER HOOK COVER		*		1
14	40107604	THROAT PLATE		*		1
15	A1119010000	HOOK COVER BUTTON SUPPORT		*		1
16	A1138335000	THROAT PLATE SETSCREW				2
17	40107601	HOOK COVER				1

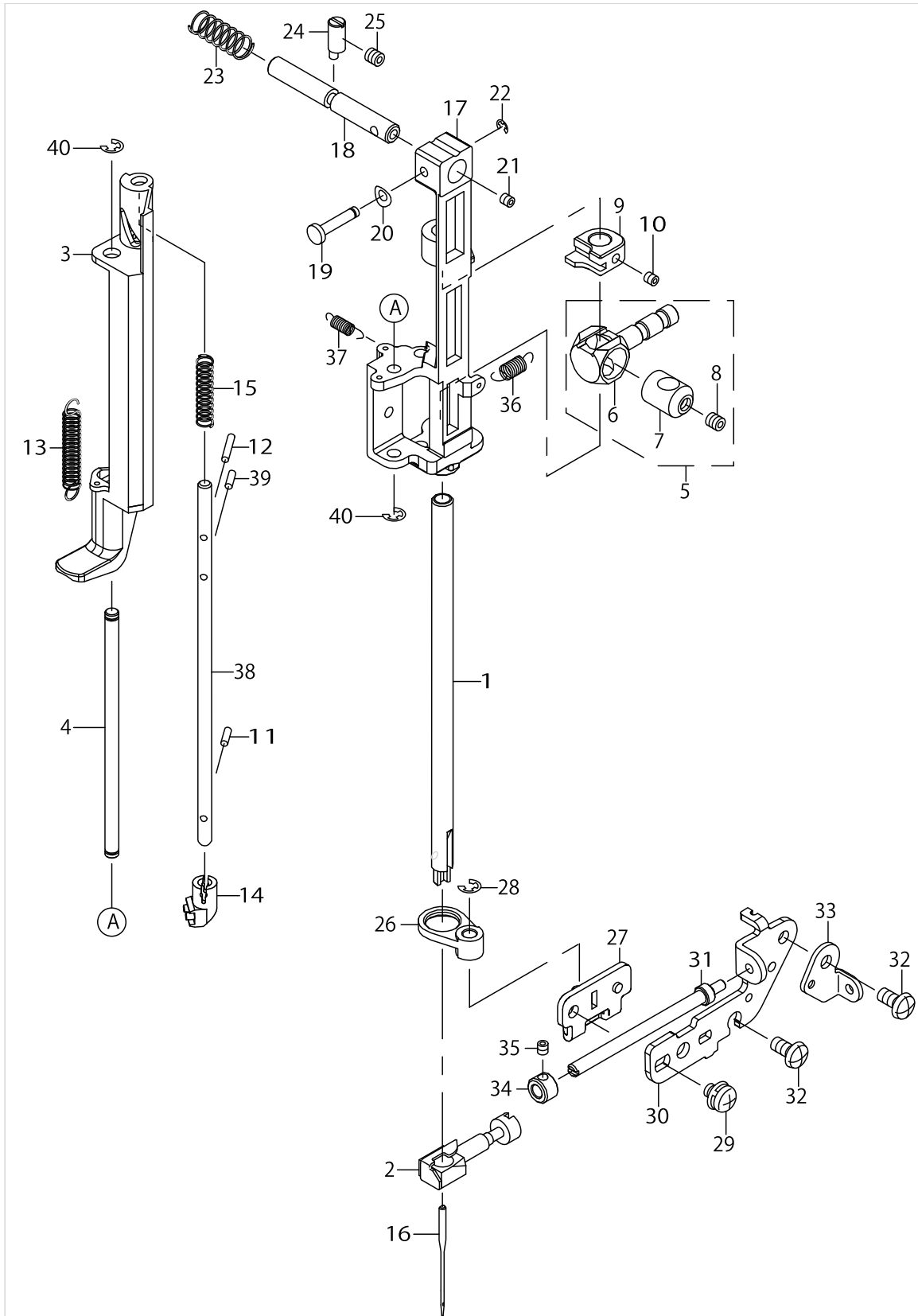
UPPER SHAFT & TAKE UP COMPONENTS



UPPER SHAFT & TAKE UP COMPONENTS

No.	Parts No.	Parts name	Remarks	Level	Cons	Qty
1	40107901	UPPER SHAFT				1
2	40053484	COUNTER WEIGHT				1
3	PS0400222KP	SPRING PIN				1
4	CS1000881TP	THRUST COLLAR				1
5	SM8050512TN	SCREW M5 L=5				2
6	40053493	DETECTOR SHIELD PLATE				1
7	RO133170100	RUBBER RING				1
8	40055825	UPPER SHAFT PULLEY				1
9	40053469	MOTOR PULLEY PIN				1
10	SM8030312TP	SCREW M3 L=3				1
11	RE0800000K0	E-SHAPED SNAP RING (8MM)				2
12	40057983	MOTOR PULLEY				1
13	40053469	MOTOR PULLEY PIN				1
14	SM8030312TP	SCREW M3 L=3				1
15	RE0800000K0	E-SHAPED SNAP RING (8MM)				1
16	40053486	HAND WHEEL				1
17	40053469	MOTOR PULLEY PIN				1
18	SM8030312TP	SCREW M3 L=3				1
19	40053487	NEEDLE BAR CRANK ROD				1
20	40057187	TAKE UP ASSY				1
21	40057188	NEEDLE BAR CRANK		*		1
22	40057189	TAKE UP CRANK		*		1
23	40057190	TAKE UP BODY ASSY		*		1
24	40057194	TAKE UP SUPPORT SHAFT		*		1
25	RE0600000K0	E-RING 6		*		1
26	RC0370411KP	C-RING 4 (3.7)		*		2
27	40062518	TAKE UP CLICK		*		1
28	40057384	TIMING BELT				1
29	A1223010000	SPRING WASHER				1
30	SM8050512TN	SCREW M5 L=5				2
31	SM5041455SN	SCREW				1
32	40053479	IDLER BRACKET ASSY				1
33	40056861	IDLER				1
34	RE0400000K0	E-RING 4				1
35	SM5040855SN	SCREW				1

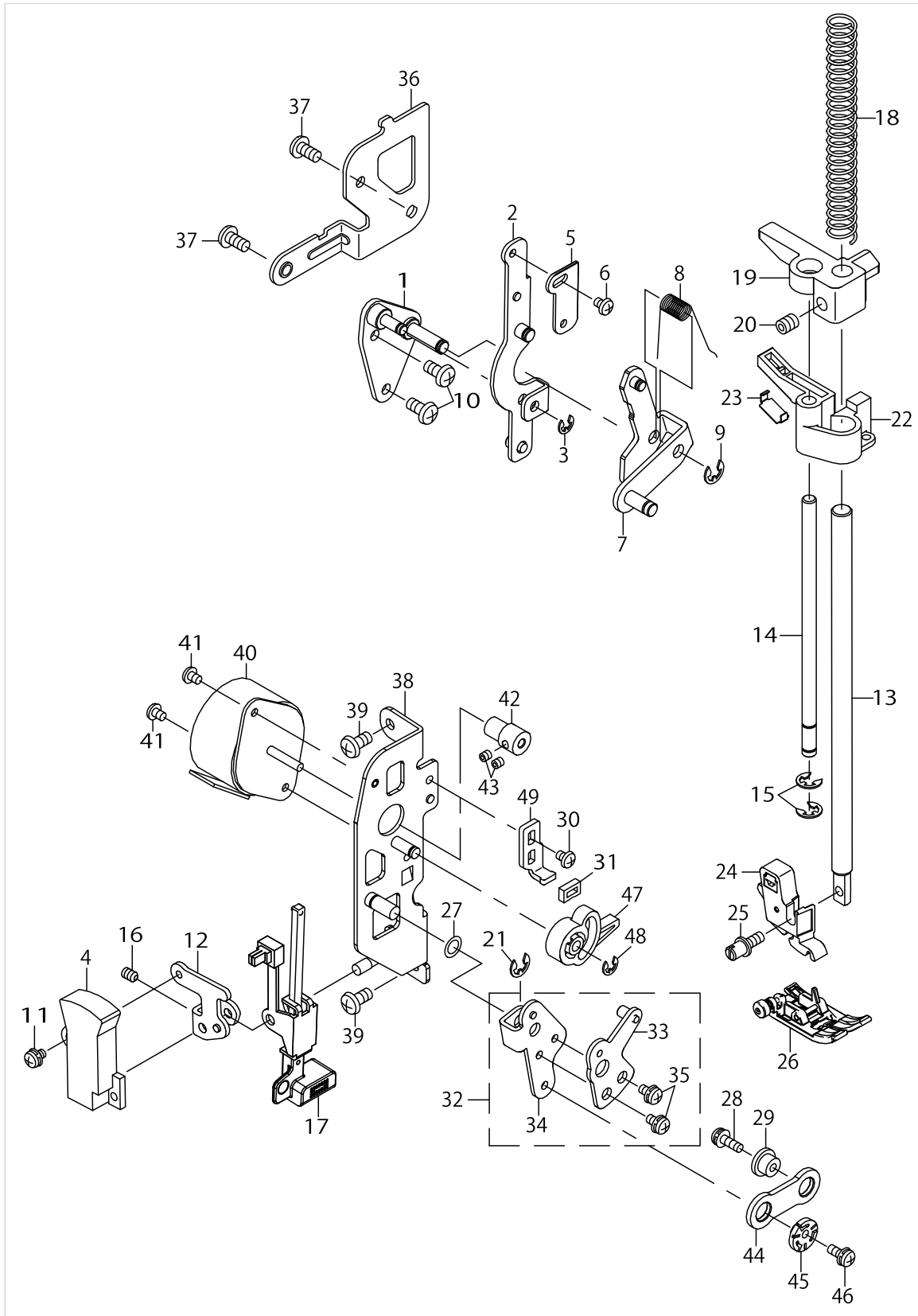
NEEDLE BAR & NEEDLE THREADER COMPONENTS



NEEDLE BAR & NEEDLE THREADER COMPONENTS

No.	Parts No.	Parts name	Remarks	Level	Cons	Qty
1	40108579	ASSY NEEDLE BAR				1
2	40108574	ASSY NEEDLE CLAMP				1
3	40107606	TP LEVER				1
4	40107906	TP GUIDE SHAFT				1
5	40053490	ASSY NEEDLE BAR CONNECTION				1
6	40053491	NEEDLE BAR CONNECTION		*		1
7	A1412010000	NEEDLE BAR CONNECTION INNER		*		1
8	SM8040412TP	SET SCREW M4 L=4		*		1
9	40055819	TP NEEDLE BAR GUIDE				1
10	SM8030312TP	SCREW M3 L=3				1
11	PS0200082KP	SPRING PIN TYPE W 2X8				1
12	40055811	TP SHAFT PIN L				1
13	40108218	TP LEVER SPRING				1
14	40107612	TP HOOK HOLDER ASSY				1
15	40055827	TP SHAFT SPRING				1
16	MHA100B1400	NEEDLE 130/705H #90				1
17	40053496	NEEDLE BAR FRAME				1
18	40053497	NEEDLE BAR FRAME SHAFT				1
19	40107902	NB FRAME FULCRUM SHAFT				1
20	WZ0320290UZ	WASHER 3.2X6.5X0.15				1
21	SM8030312TP	SCREW M3 L=3				1
22	RE0200000K0	E-RING 2				1
23	40056970	NB FRAME SHAFT SPRING				1
24	A1427010000A	NB FRAME ADJUST SHAFT				1
25	SM8040412TP	SET SCREW M4 L=4				1
26	40053516	NB FRAME CONTROL ARM				1
27	40053517	NB LATERAL ADJUST PLATE ASSY				1
28	RE0300000K0	E-RING 3				1
29	SL4040691SC	SCREW M4 L=6				1
30	40107903	FACE PLATE FIXING PLATE				1
31	40062407	FACE COVER SHAFT				1
32	SM5040855SN	SCREW				2
33	40107904	FRONT PANEL BRACKET				1
34	A1617030000	THRUST COLLAR				1
35	SM8030312TP	SCREW M3 L=3				1
36	40056945	NEEDLE BAR FRAME SPRING				1
37	40071728	NEEDLE BAR FRAME SPRING L				1
38	40107905	TP SHAFT				1
39	PS020082KP	SPRING PIN TYPE W 2X8				1
40	RE0300000K0	E-RING 3				2

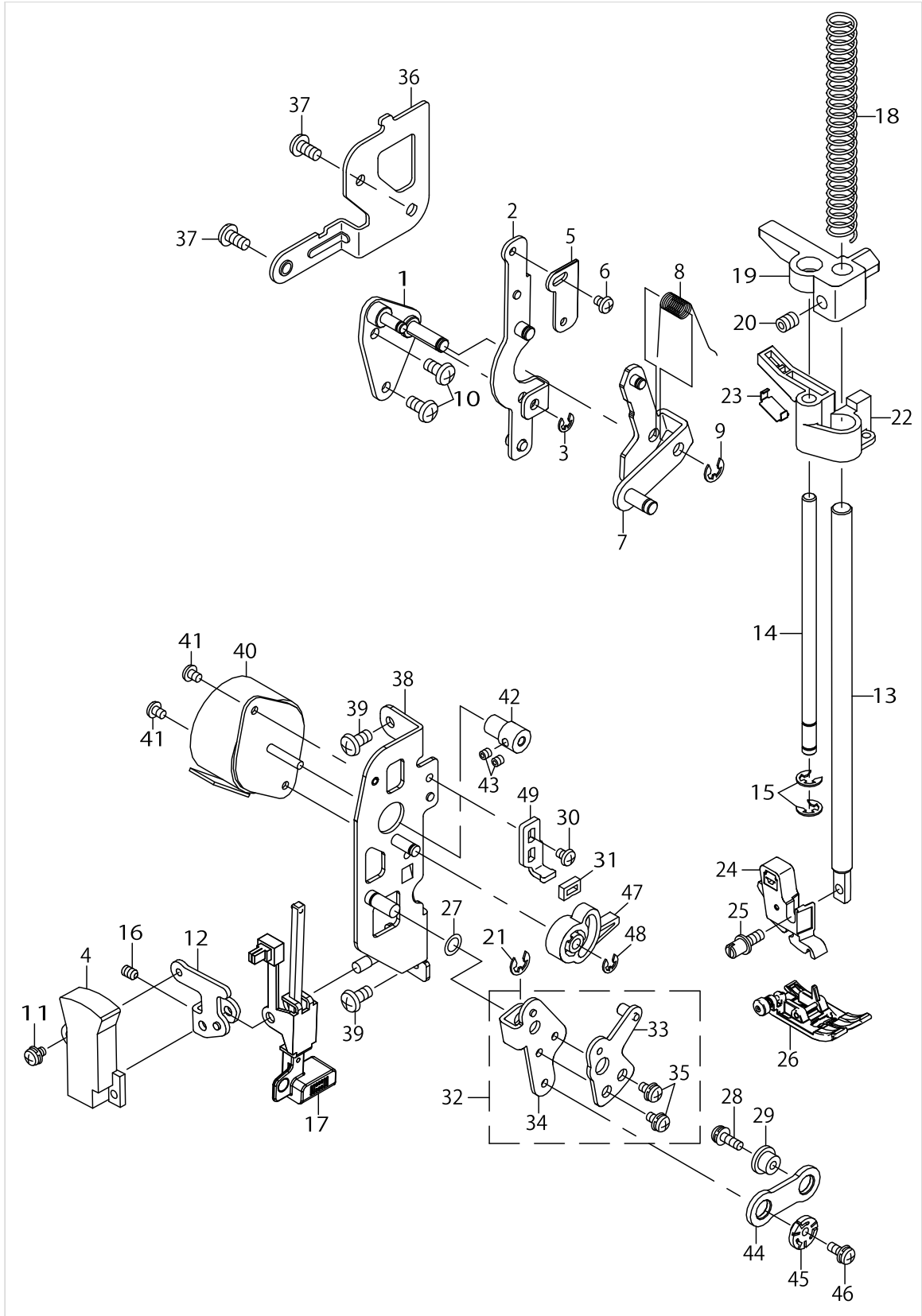
PRESSER MECHANISM & NEEDLE THROWING COMPONENTS



PRESSER MECHANISM & NEEDLE THROWING COMPONENTS

No.	Parts No.	Parts name	Remarks	Level	Cons	Qty
1	40055391	TENSION RELEASE BASE ASSY				1
2	40055387	TENSION RELEASE PLATE ASSY				1
3	RE0300000K0	E-RING 3				1
4	40107476	ASSY BH SW				1
5	40055395	TR ADJUST PLATE				1
6	SM5030455SN	SCREW M3 L=4				1
7	40055557	KNEE LIFTER PLATE ASSY				1
8	40056969	KNEE LIFTER PLATE SPRING				1
9	RE0400000K0	E-RING 4				1
10	SM5040855SN	SCREW				2
11	SL5030531SF	SCREW M3 L=5				1
12	40107913	BH SW BRACKET				1
13	40055402	PRESSER BAR				1
14	40055403	PF GUIDE BAR				1
15	RE0400000K0	E-RING 4				2
16	SM8040602TP	SCREW M4X0.7 L=6				1
17	40107614	ASSY BH SWITCHING PLATE				1
18	40108219	PRESSER SPRING				1
19	40055406	PRESSER BAR GUIDE				1
20	SM8050602TP	SCREW M5 L=6				1
21	RE0400000K0	E-RING 4				1
22	40061618	PRESSER BLOCK				1
23	40064224	PRESSER BLOCK PLATE				1
24	40056529	ASSY PRESSER FOOT HOLDER				1
25	123010006074	SCREW				1
26	40057923	ASSY STANDARD PRESSER FOOT				1
27	WP0520516RZ	WASHER				1
28	SL4031091SC	SCREW M3 L=10				1
29	40062144	ROCKING ROD BUSH				1
30	SM5030455SN	SCREW M3 L=4				1
31	A1646010000	RETRIEVAL RUBBER				1
32	40066231	ASSY NEEDLE THROWING ARM				1
33	40053506	NEEDLE THROWING ARM ASSY		*		1
34	40066198	NEEDLE THROWING ADJUST ARM		*		1
35	SL4030691SC	SCREW M3 L=6		*		2
36	40107907	REAR PANEL BRACKET				1
37	SM5040855SN	SCREW				2
38	40107908	NT STM BASE ASSY				1
39	SM5040855SN	SCREW				2
40	40056557	ASSY NT STM				1
41	SM5030455SN	SCREW M3 L=4				2
42	40070288	NT STM GEAR				1
43	SM8030312TP	SCREW M3 L=3				2
44	40053499	ROCKING ROD				1
45	A1456008000A	LEAN CENTER SHAFT				1
46	SL4030891SC	SCREW M3X8				1
47	40053505	NEEDLE THROWING GEAR				1

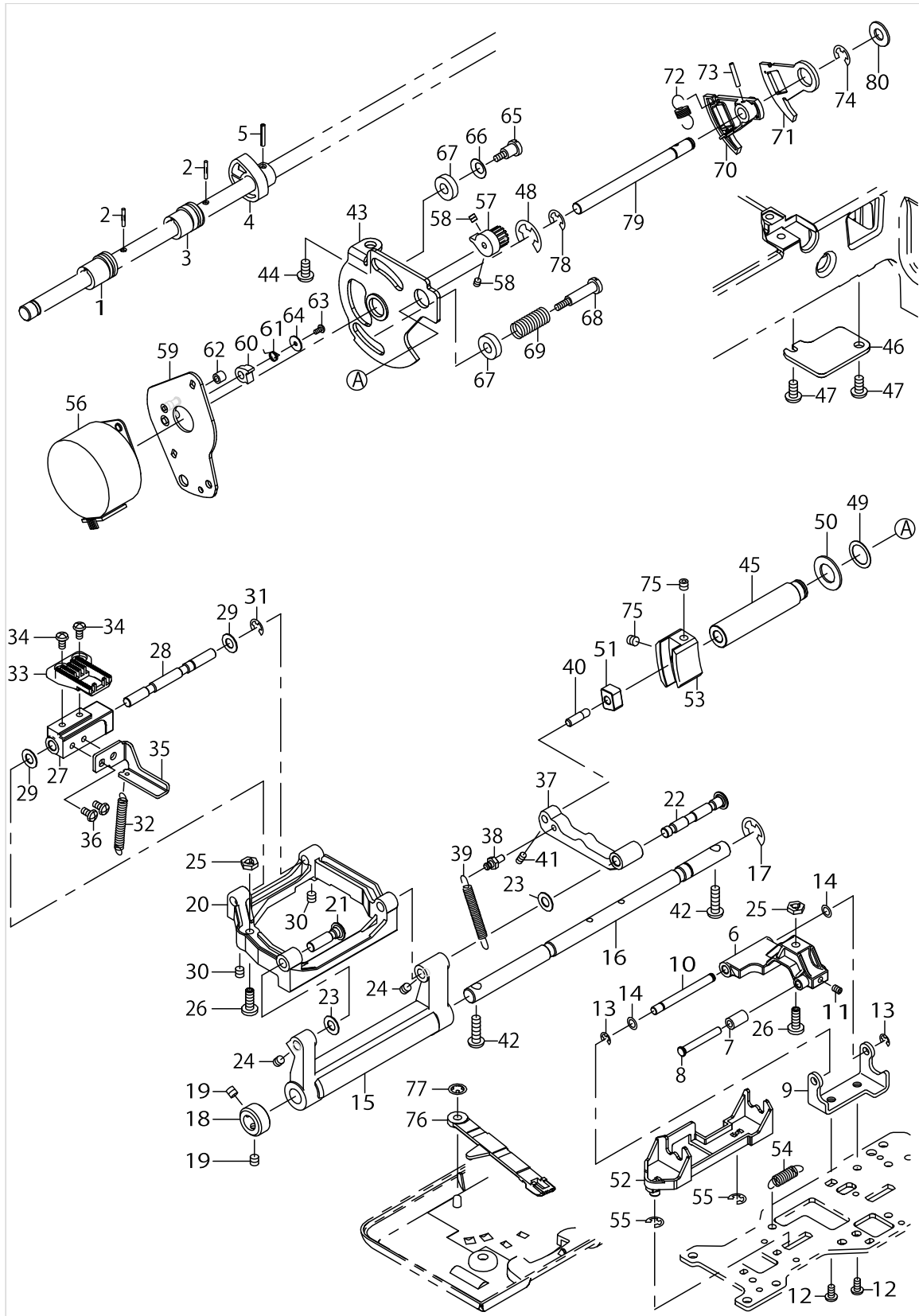
PRESSER MECHANISM & NEEDLE THROWING COMPONENTS



PRESSER MECHANISM & NEEDLE THROWING COMPONENTS

No.	Parts No.	Parts name	Remarks	Level	Cons	Qty
48	RE040000K0	E-RING 4				1
49	40055676	NT STM STOPPER				1

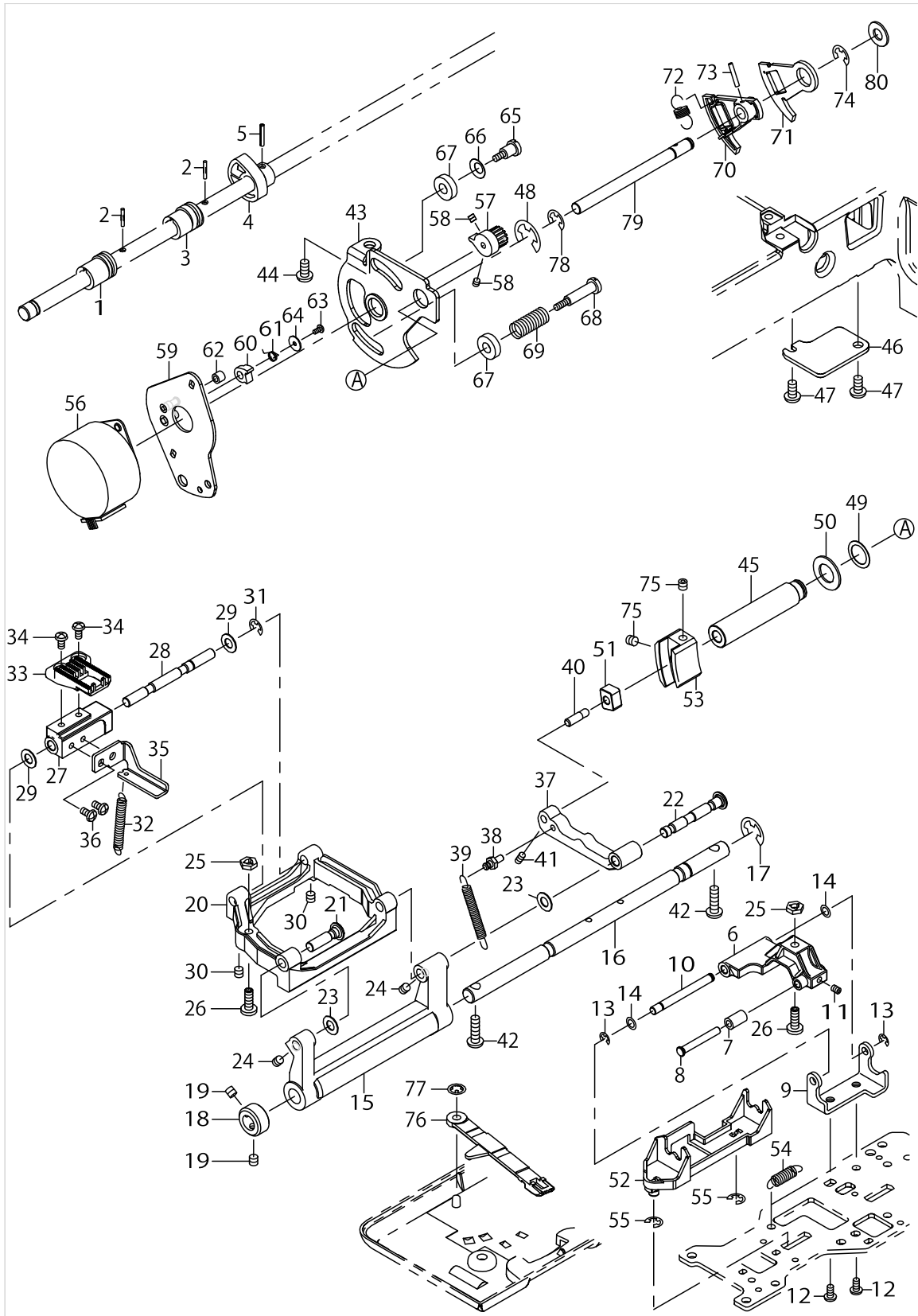
FEED MECHANISM COMPONENTS



FEED MECHANISM COMPONENTS

No.	Parts No.	Parts name	Remarks	Level	Cons	Qty
1	40055496	VERTICAL FEED CAM				1
2	PS0200082KP	SPRING PIN TYPE W 2X8				2
3	40055499	VF ASSIST CAM				1
4	40055504	HORIZONTAL FEED CAM				1
5	PS0200122KP	SPRING PIN TYPE W 2X12				1
6	40071970	CORRECTION ARM				1
7	40071971	CORRECTION ROLLER				1
8	40071972	CORRECTION ROLLER SHAFT				1
9	40071973	CORRECTION ARM BASE				1
10	40107914	CORRECTION ARM SHAFT				1
11	SM8030612TP	SET SCREW				1
12	SM5030655SN	SCREW M3X0.5 L=6				2
13	RE0300000K0	E-RING 3				2
14	WP0410516RZ	WASHER				2
15	40055505	HF ROCKER ARM				1
16	40107915	HF ROCKER ARM SHAFT				1
17	RE0700000K0	E-RING 7				1
18	A1203030000	THRUST COLLAR				1
19	SM8040412TP	SET SCREW M4 L=4				2
20	40055513	FEED BAR				1
21	40107916	FEED BAR SHAFT L				1
22	40055507	FEED BAR SHAFT R				1
23	WP0520516RZ	WASHER				2
24	SM8040412TP	SET SCREW M4 L=4				2
25	174804008000	NUT				2
26	40107917	VF ADJUST SHAFT				2
27	40055502	ASSIST FEED BAR				1
28	40107918	ASSIST FEED BAR SHAFT				1
29	WP0520516RZ	WASHER				2
30	SM8040412TP	SET SCREW M4 L=4				2
31	RE0400000K0	E-RING 4				1
32	40055501	FEED BAR SPRING				1
33	40107919	FEED DOG				1
34	SM5030655SN	SCREW M3X0.5 L=6				2
35	40071969	CORRECTION PLATE				1
36	SM5030655SN	SCREW M3X0.5 L=6				2
37	40060607	HORIZONTAL FEED ARM				1
38	40056010	HF ARM SPRING PIN				1
39	40055517	HORIZONTAL FEED ARM SPRING				1
40	A1624010000	SLIDE BLOCK SHAFT				1
41	SM8030612TP	SET SCREW				1
42	SM5041455SN	SCREW				2
43	40107921	FEED STM FIXING PLATE				1
44	SM5040855SN	SCREW				1
45	40055520	FEED REGULATOR BUSHING				1
46	40055519	FR BUSHING CLAMP PLATE				1
47	SM5040855SN	SCREW				2

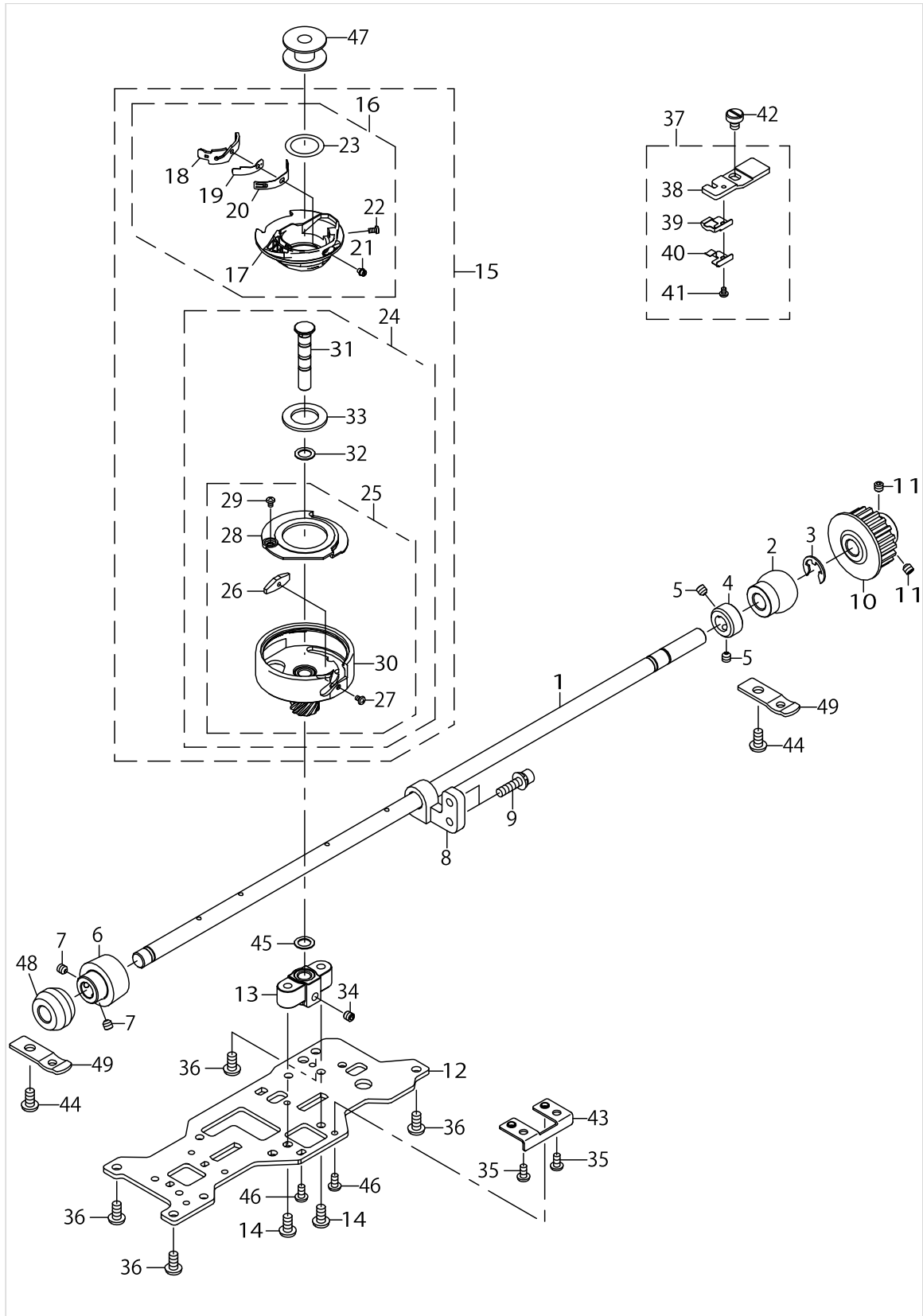
FEED MECHANISM COMPONENTS



FEED MECHANISM COMPONENTS

No.	Parts No.	Parts name	Remarks	Level	Cons	Qty
48	RE080000K0	E-SHAPED SNAP RING (8MM)				1
49	WZ1052010KP	WAVED WASHER				1
50	WP1021016SD	WASHER				1
51	40055524	FEED REGULATOR BLOCK				1
52	40057335	DF WORKING BODY				1
53	40055522	FEED REGULATOR				1
54	40066691	DF RETURN SPRING				1
55	RE040000K0	E-RING 4				2
56	40056558	ASSY FD STM				1
57	40055530	FEED STM GEAR				1
58	SM8030312TP	SCREW M3 L=3				2
59	40107924	FEED ADJUSTING PLATE ASSY				1
60	40055531	FEED STOPPER LEVER				1
61	40055532	FEED STOPPER SPRING				1
62	40055533	ORIGIN DETECTING RUBBER				1
63	SM4020401SC	SCREW M2 L=4				1
64	WP0210516SD	PLAIN WASHER 2.1X8X0.5				1
65	A1650008000A	STAGE SCREW A				1
66	A2110700000	SPRING WASHER				1
67	40055539	FEED STM WASHER				2
68	A1651008000	STAGE SCREW A				1
69	A1658008000	SPRING				1
70	40055526	FEED REGULATOR GEAR A				1
71	40055527	FEED REGULATOR GEAR B				1
72	40055528	FR GEAR SPRING				1
73	PS0200122KP	SPRING PIN TYPE W 2X12				1
74	RE050000K0	E-RING				1
75	SM8040412TP	SET SCREW M4 L=4				2
76	40057334	DF LEVER				1
77	A3205555A00	LOCKNUT				1
78	RE050000K0	E-RING				1
79	40055521	FEED_REGULATOR_SHAFT				1
80	WP0621016SD	WASHER 6.2X13X1				1

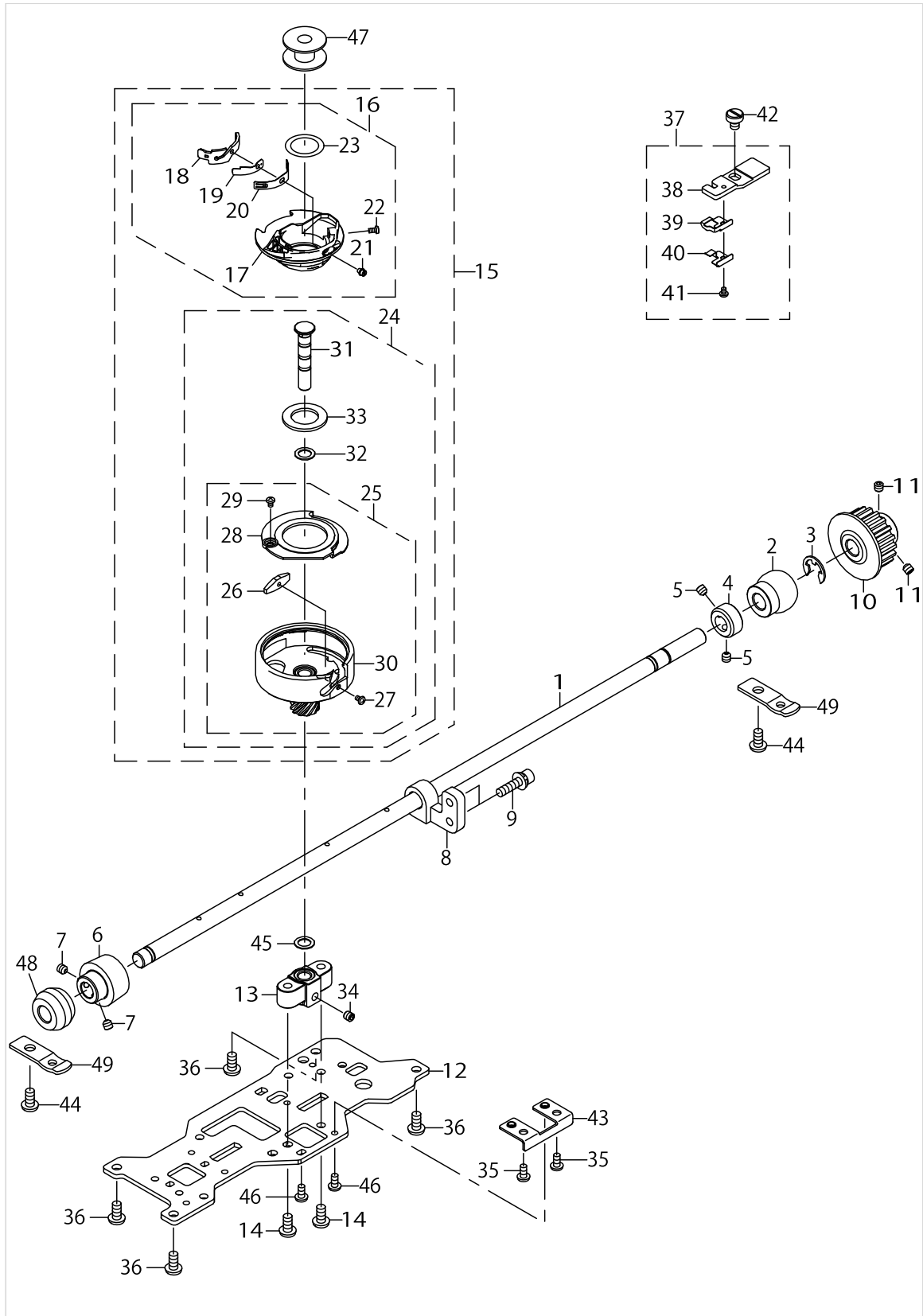
LOWER SHAFT & HOOK COMPONENTS



LOWER SHAFT & HOOK COMPONENTS

No.	Parts No.	Parts name	Remarks	Level	Cons	Qty
1	40107929	LOWER SHAFT				1
2	A1810E60000	LOWER SHAFT WELT BEARING				1
3	RE0700000K0	E-RING 7				1
4	A1203030000	THRUST COLLAR				1
5	SM8040412TP	SET SCREW M4 L=4				2
6	40099886	HOOK DRIVING GEAR				1
7	SM8040412TP	SET SCREW M4 L=4				2
8	40053495	LOWER SHAFT SUPPORT				1
9	SL6041692TN	SCREW				2
10	40055826	LOWER SHAFT PULLEY				1
11	SM8040412TP	SET SCREW M4 L=4				2
12	40056604	HOOK BRACKET				1
13	40053456	HOOK DRIVING SHAFT BASE				1
14	SM5040855SN	SCREW				2
15	40081293	ALL ASSY HOOK				1
16	40079614	ALL ASSY BOBBIN CASE		*		1
17	40058626	BOBBIN CASE MATERIAL		*		1
18	40060608	BOBBIN CASE THREAD GUIDE		*		1
19	A1840009000	LOWER THREAD ADJUSTING SPRING A		*		1
20	A1841S56000	LOWER THREAD ADJUSTING SPRING B		*		1
21	A1843030000	LOWER THREAD ADJUSTING SCREW		*		1
22	A1844030000	BOBBIN CASE THRED GUIDE SCREW		*		1
23	40079424	BOBINN SPIN STOP SHEET		*		1
24	A1830E800C0	HOOK ASM.		*		1
25	A1830E800B0	HOOK ASM.		*		1
26	A1832008000	HOOK NEEDLE GUARD		*		1
27	SM5020301SC	SCREW M2 L=3		*		1
28	A1831031000	HOOK BASE PLATE		*		1
29	SM5020301SC	SCREW M2 L=3		*		1
30	A18300310A0	HOOK ASM.		*		1
31	A18090310A0	HOOK SHAFT ASM.		*		1
32	WP0620516RZ	WASHER 6.2X9.5X0.5		*		1
33	A1833E50000	FELIGHT MAGNET		*		1
34	SM8040412TP	SET SCREW M4 L=4				1
35	SM5030655SN	SCREW M3X0.5 L=6				2
36	SM5040855SN	SCREW				4
37	40064997	ASSY BOBBIN CASE STOPPER				1
38	40053454	BOBBIN CASE STOPPER PLATE		*		1
39	40056975	BOBBIN CASE STOPPER SPRING		*		1
40	40056976	STOPPER SPRING SUPPORT		*		1
41	SM5020301SC	SCREW M2 L=3		*		1
42	A1138335000	THROAT PLATE SETSCREW				1
43	40076508	HOOK BRACKET SUPPORT				1
44	SM5040855SN	SCREW				2
45	WP0620516RZ	WASHER 6.2X9.5X0.5				1
46	SM5030655SN	SCREW M3X0.5 L=6				2
47	001141000000	BOBBIN				1

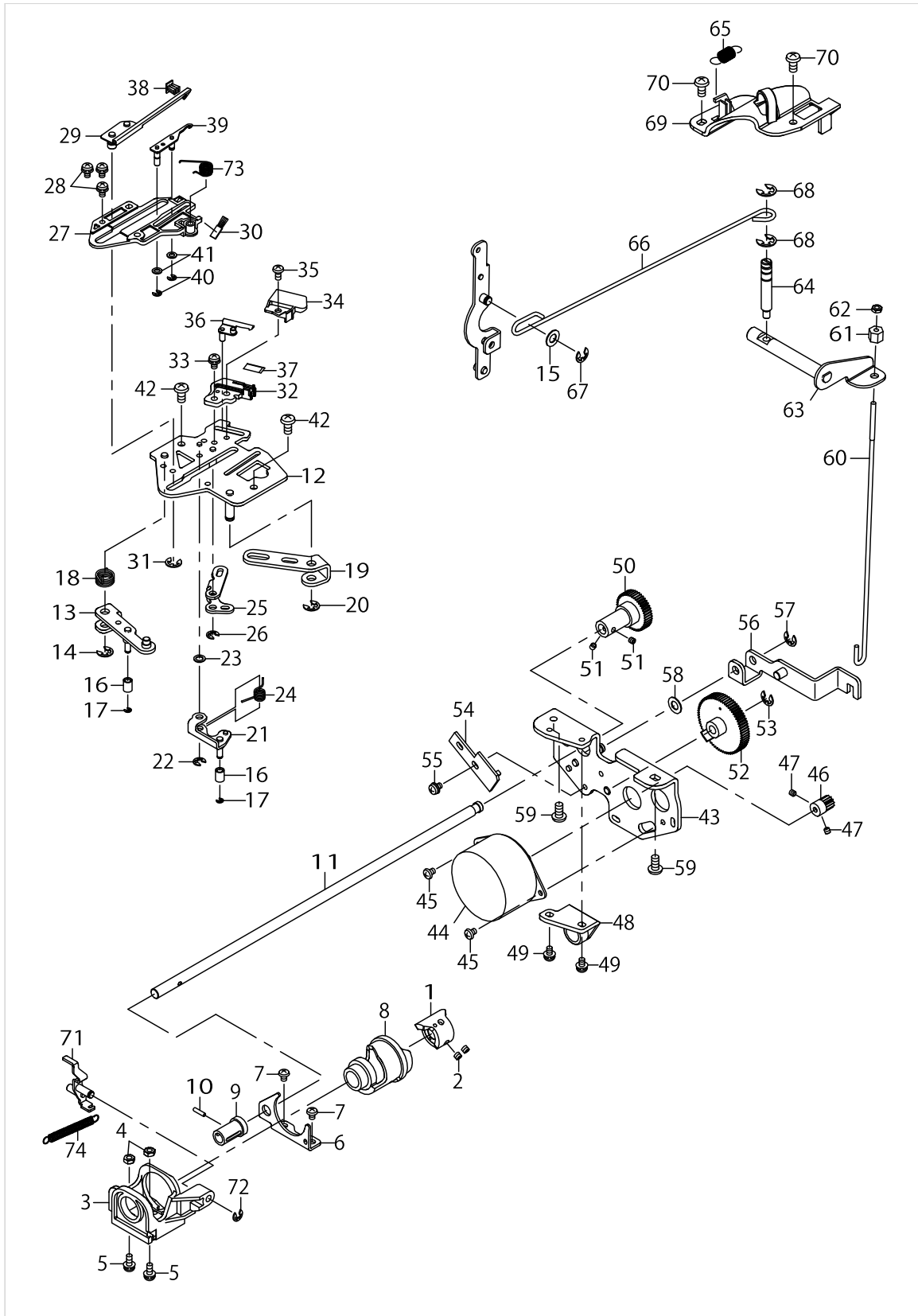
LOWER SHAFT & HOOK COMPONENTS



LOWER SHAFT & HOOK COMPONENTS

No.	Parts No.	Parts name	Remarks	Level	Cons	Qty
48	041207008000	LOWER SHAFT WELT BEARING				1
49	021112002000	LOWER SHAFT WELT BEARING PLATE				2

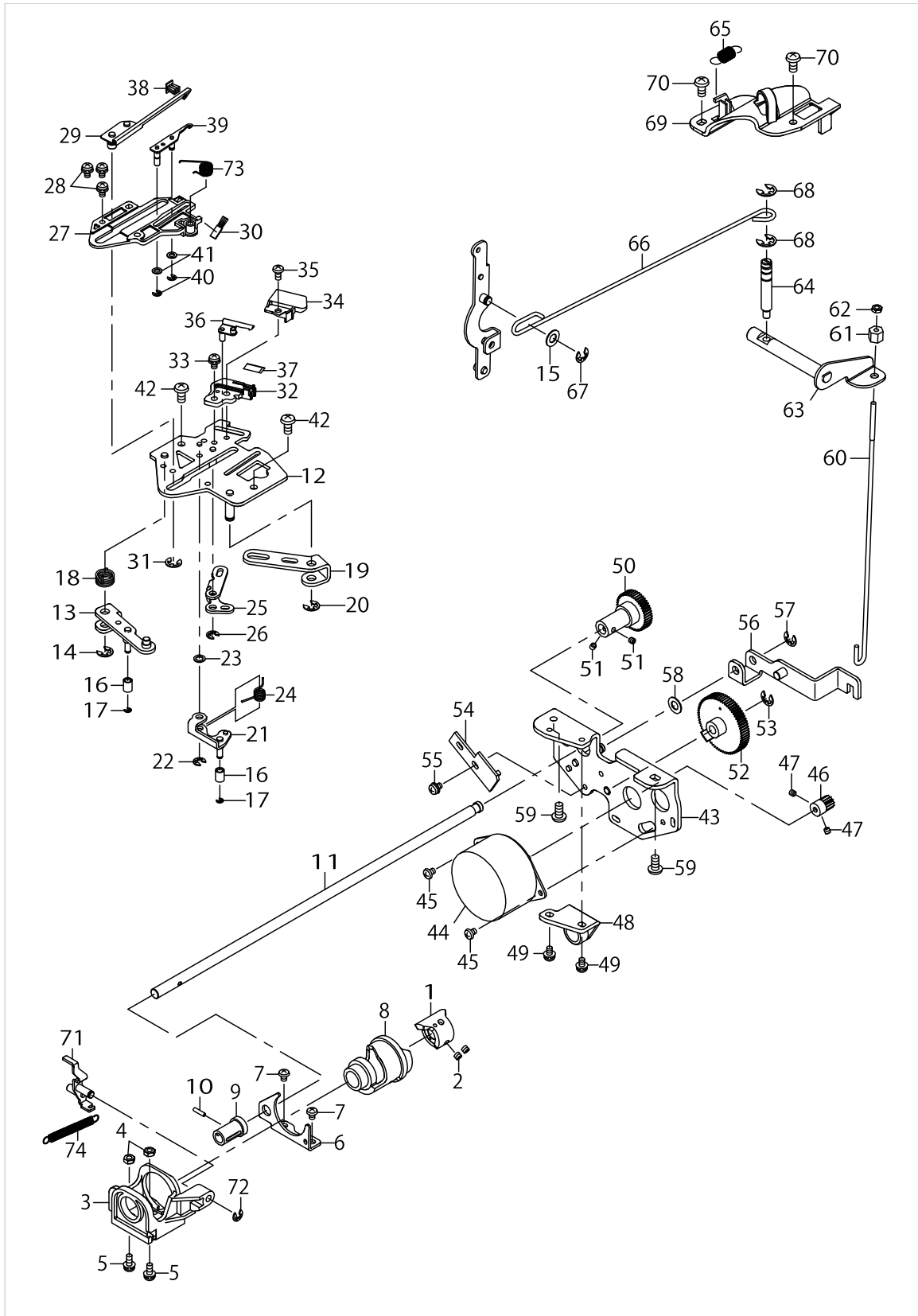
THREAD TRIMMER COMPONENTS (FOR G210)



THREAD TRIMMER COMPONENTS (FOR G210)

No.	Parts No.	Parts name	Remarks	Level	Cons	Qty
1	40053580	THREAD TRIMMER CAM				1
2	SM8030312TP	SCREW M3 L=3				2
3	40065718	DRIVING CAM HOLDER				1
4	NM6030002SF	NUT M3				2
5	SL4030891SC	SCREW M3X8				2
6	40053581	DRIVING CAM BRACKET R				1
7	SM5030655SN	SCREW M3X0.5 L=6				2
8	40053583	CATCHER DRIVING CAM				1
9	40053586	CAM DRIVING GEAR L				1
10	PS0200082KP	SPRING PIN TYPE W 2X8				1
11	40053587	CAM DRIVING SHAFT				1
12	40053592	TT MECHANISM BASE ASSY				1
13	40053598	CATCHER WORKING LINK ASSY				1
14	RE0400000K0	E-RING 4				1
15	WP0520516RZ	WASHER				1
16	40053602	LINK SHAFT ROLLER				2
17	RE0150000K0	SNAP RING 1.5				2
18	40053610	CATCHER WORKING LINK SPRING				1
19	40053603	CATCHER LINK				1
20	RE0400000K0	E-RING 4				1
21	40053612	TT DRIVING LINK ASSY				1
22	RE0300000K0	E-RING 3				1
23	WP0410516RZ	WASHER				1
24	40053611	TT DRIVING LINK SPRING				1
25	40053616	THREAD TRIMMER LINK				1
26	RE0300000K0	E-RING 3				1
27	40053608	THREAD CATCH GUIDE				1
28	SL4030691SC	SCREW M3 L=6				3
29	40053604	CATCHER ASSY				1
30	A3187010000	NEEDLE BAR FRAME BRUSH				1
31	RE0400000K0	E-RING 4				1
32	40053624	TT CUTTER BASE				1
33	SL4030691SC	SCREW M3 L=6				1
34	40053621	TT CUTTER COVER				1
35	SM5030655SN	SCREW M3X0.5 L=6				1
36	40053617	TT CATCHER ASSY				1
37	A3711010000A	TOP THREADING CUTTER				1
38	40053609	THREAD KEEPING PILE				1
39	40078681	UT HOOK ASSY				1
40	RE0200000K0	E-RING 2				2
41	WP0310516RZ	WASHER 3.1X5.4X0.5				2
42	SM5040855SN	SCREW				2
43	40053588	THREAD TRIMMER STM BASE ASSY				1
44	40056556	ASSY TT STM				1
45	SM5030655SN	SCREW M3X0.5 L=6				2
46	40067261	TT STM GEAR				1
47	SM8030312TP	SCREW M3 L=3				2

THREAD TRIMMER COMPONENTS (FOR G210)



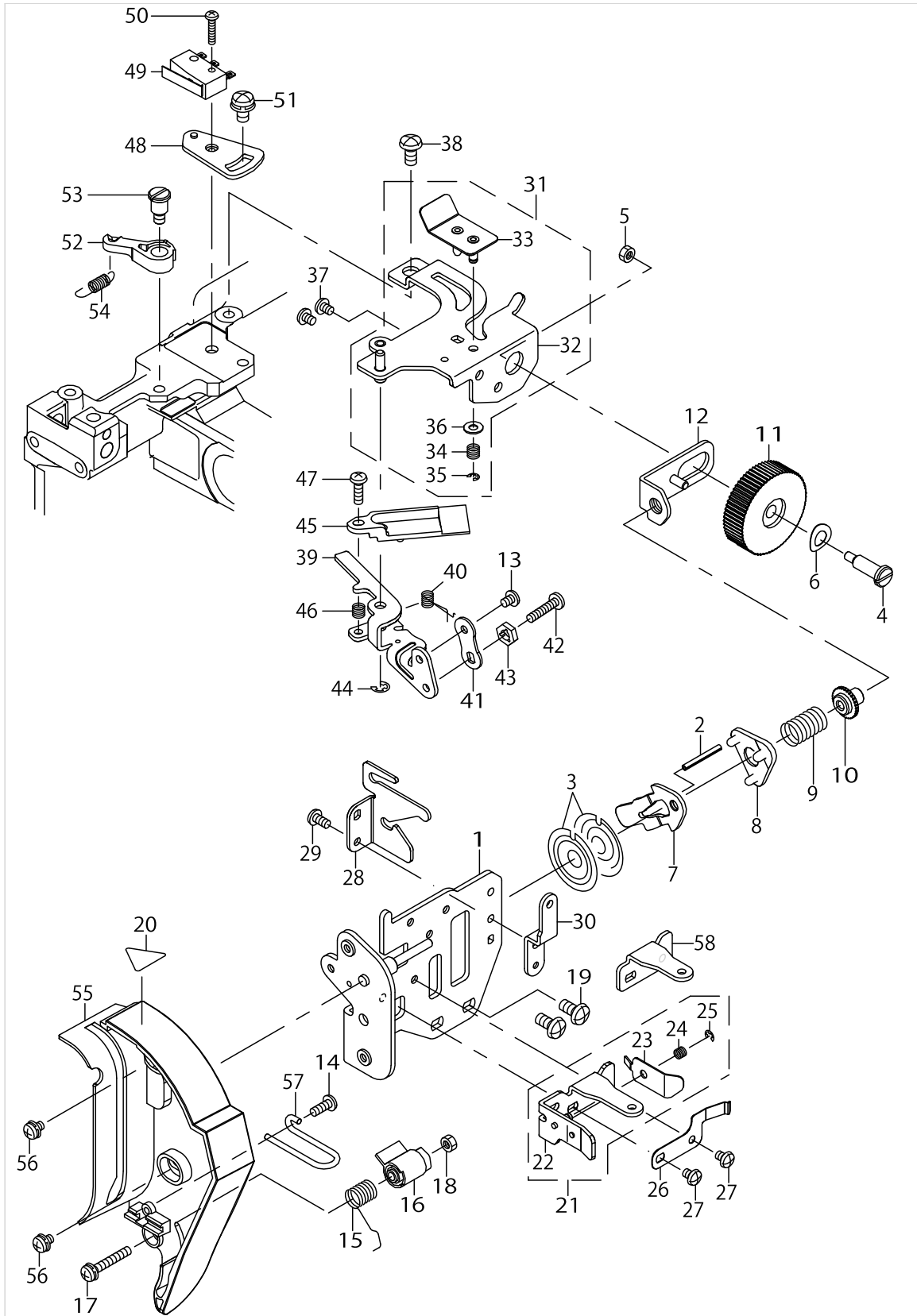
THREAD TRIMMER COMPONENTS (FOR G210)

No.	Parts No.	Parts name	Remarks	Level	Cons	Qty
48	40067671	CAM DRIVING GEAR R HOLDER				1
49	SL4030691SC	SCREW M3 L=6				2
50	40053585	CAM DRIVING GEAR R				1
51	SM8030312TP	SCREW M3 L=3				2
52	40053584	INTERMEDIATE GEAR				1
53	RE0400000K0	E-RING 4				1
54	40056564	ASSY TT STM ORG CIRCUIT BOARD				1
55	SL5030531SF	SCREW M3 L=5				1
56	40053641	TR PLATE LOWER ASSY				1
57	RE0400000K0	E-RING 4				1
58	WP0520516RZ	WASHER				1
59	SM5040855SN	SCREW				2
60	40053640	TR LINK LOWER				1
61	A2444500000	NUT				1
62	NM6860002MZ	NUT M2.6				1
63	40053637	TR LINK PLATE ASSY				1
64	40053632	TR CONNECT SHAFT				1
65	40053636	TENSION RELEASE SPRING				1
66	40053628	TR LINK UPPER				1
67	RE0400000K0	E-RING 4				1
68	RE0500000K0	E-RING				2
69	40055796	WIRE GUIDE A				1
70	SM5040855SN	SCREW				2
71	40078686	UT HOOK LEVER ASSY				1
72	RE0300000K0	E-RING 3				1
73	40078685	UT HOOK SPRING				1
74	40078690	UT HOOK LEVER SPRING				1

THREAD TENSION COMPONENTS

No.	Parts No.	Parts name	Remarks	Level	Cons	Qty
1	40053520	FACE PLATE ASSY				1
2	PS0200182KP	SPRING PIN TYPE W 2X18				1
3	A3910634000B	TENSION DISC				2
4	40066124	TT DIAL SHAFT				1
5	NM6030002SF	NUT M3				1
6	A2110700000	SPRING WASHER				1
7	40053525	DISC RELEASE PLATE				1
8	40055371	DISC HOLDER				1
9	40112878	THREAD TENSION SPRING				1
10	40053526	THREAD TENSION ADJUST NUT				1
11	40107588	TT DIAL				1
12	40053532	THREAD TENSION ADJUST PLATE ASM				1
13	SM5030455SF	SCREW M3 L=4				1
14	ST5030851SN	SCREW M5X8				1
15	40055377	TAKE UP SPRING				1
16	40055378	TAKE UP SPRING HOLDER				1
17	SL4032081SC	SCREW M3 L=20				1
18	NM6030002SF	NUT M3				1
19	SM5040855SN	SCREW				2
20	CM300200001	ATTENTION SEAL				1
21	40064573	ASSY SUB TENSION BASE	FOR G210			1
22	40062044	SUB TENSION BASE ASSY	FOR G210	*		1
23	40062047	SUB TENSION	FOR G210	*		1
24	40062048	SUB TENSION SPRING	FOR G210	*		1
25	RE0200000K0	E-RING 2	FOR G210	*		1
26	40053528	THREAD TENSION DIAL CLICK				1
27	SM5030655SN	SCREW M3X0.5 L=6				2
28	40057974	ARM THREAD GUIDE				1
29	SM5030655SN	SCREW M3X0.5 L=6				1
30	40107931	THREAD TENSION COVER BRACKET				1
31	40064704	ASSY BASE TENSION BASE				1
32	40055383	BASE TENSION BASE ASSY		*		1
33	40055384	BASE TENSION ASSY		*		1
34	40055420	BASE TENSION SPRING		*		1
35	RE0200000K0	E-RING 2		*		1
36	WP0320501SC	WASHER M3		*		1
37	SM5030455SF	SCREW M3 L=4				2
38	SM5040855SN	SCREW				1
39	40055561	RELEASE ARM				1
40	40055400	RELEASE ARM SPRING				1
41	40070286	RELEASE ARM SPACER				1
42	SM5031401SC	SCREW M3 L=14				1
43	174803004000	NUT				1
44	RE0300000K0	E-RING 3				1
45	40066195	BASE TENSION LIFTER				1
46	40066193	BASE TENSION LIFTER SPRING				1
47	SM5031001SE	SCREW M3 L=10				1

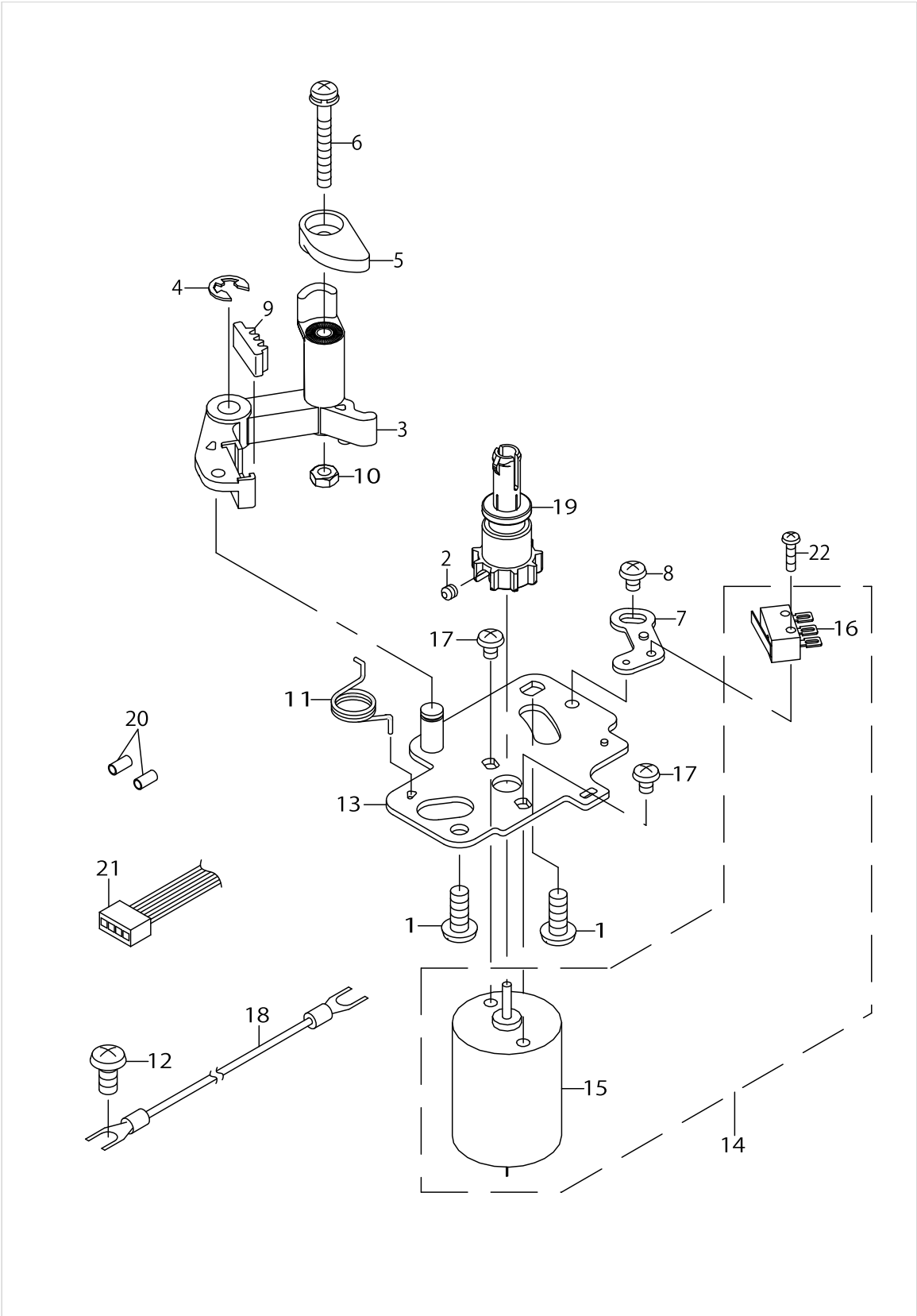
THREAD TENSION COMPONENTS



THREAD TENSION COMPONENTS

No.	Parts No.	Parts name	Remarks	Level	Cons	Qty
48	40055385	PRESSER LIFTER SW BASE				1
49	40056544	ASSY OST SW				1
50	SM4831001SF	SCREW M2.3 L=10				1
51	SL5040835SN	SCREW				1
52	40055396	TENSION RELEASE ARM				1
53	40055397	TR ARM LOCATE SCREW				1
54	40055398	TR ARM SPRING				1
55	40107442	FACE PLATE COVER				1
56	SL4030591SC	SCREW M3 L=5				2
57	40055376	TAKE UP SPRING GUIDE				1
58	40107930	FRONT PANEL BRACKET U	FOR G110			1

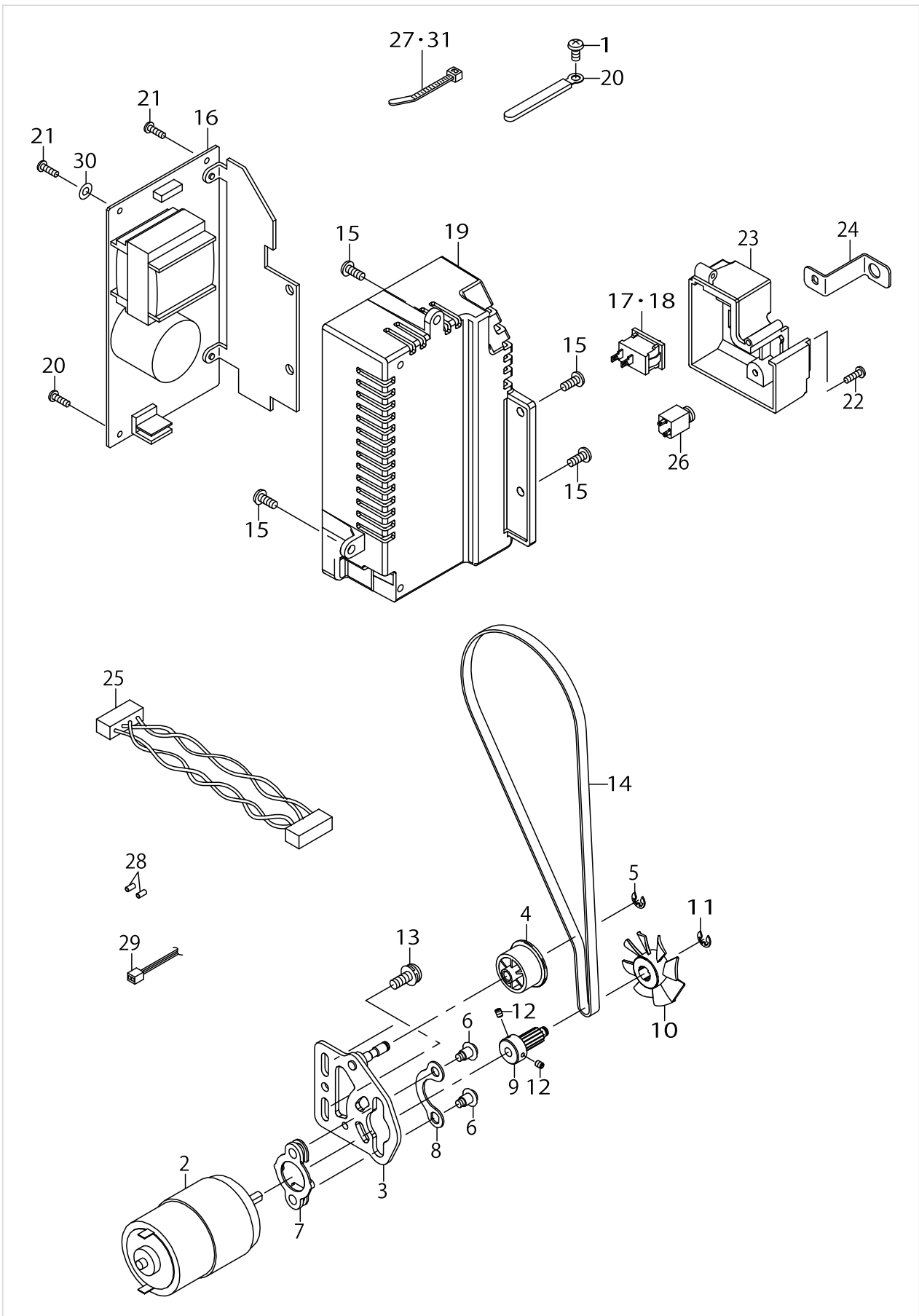
BOBBIN WINDER COMPONENTS



BOBBIN WINDER COMPONENTS

No.	Parts No.	Parts name	Remarks	Level	Cons	Qty
1	ST5041051SN	SCREW				2
2	SM8030312TP	SCREW M3 L=3				1
3	40097679	BW ADJUST BASE				1
4	RE0400000K0	E-RING 4				1
5	40053677	BW ADJUST BODY				1
6	SL4032591SC	SCREW M3X25				1
7	40097680	SW BASE				1
8	SM5030655SN	SCREW M3X0.5 L=6				1
9	40076145	STOPPER RUBBER				1
10	NM6030002SF	NUT M3				1
11	40061796	BW SPRING				1
12	SM5040855SN	SCREW				1
13	40097677	BOBBIN WINDER BASE ASSY				1
14	40116031	ASSY_WIND_MOTOR				1
15	40065720	WIND MOTOR		*		1
16	HA00325000B	SWITCH		*		1
17	SM5030455SF	SCREW M3 L=4				2
18	40066041	ASSY WIND CODE				1
19	40107610	BOBBIN WINDER SHAFT				1
20	E8760452B00	TUBE				1
21	40073194	ASSY WIND MOTOR LEAD WIRE				1
22	SM5020855SN	SCREW M2 L=8				1

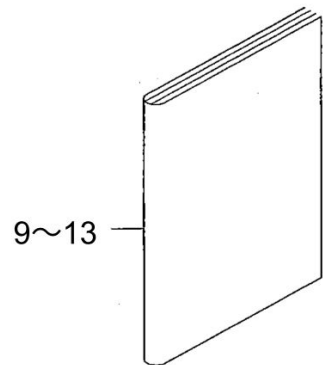
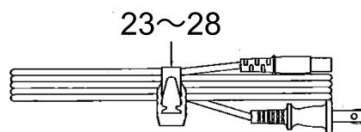
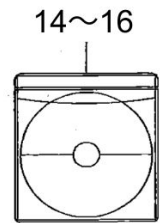
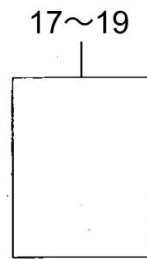
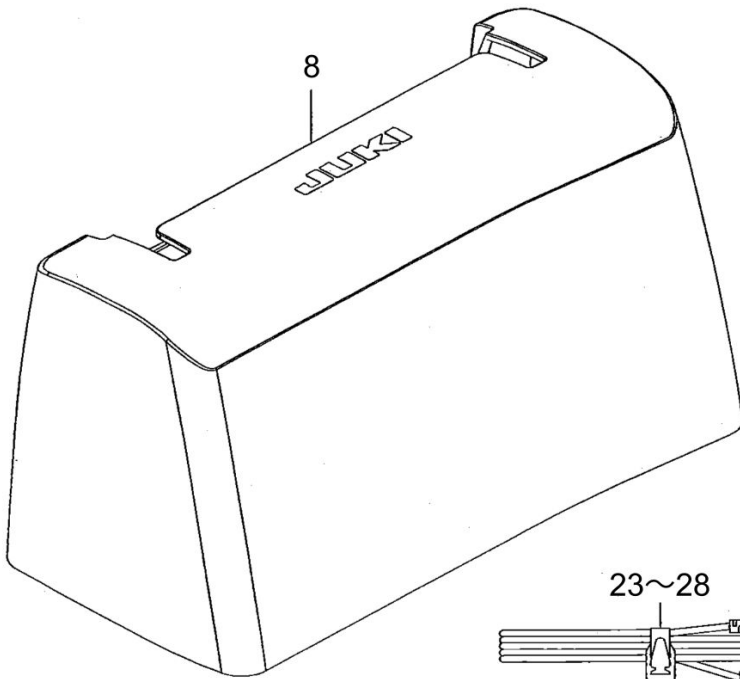
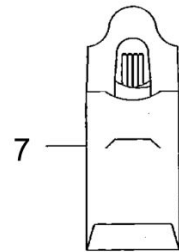
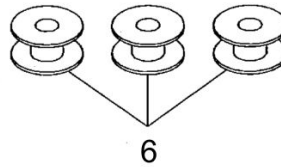
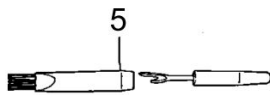
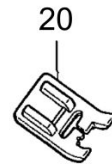
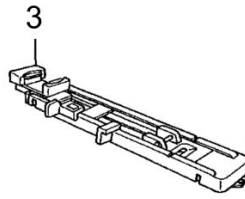
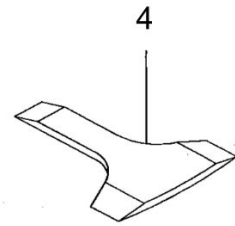
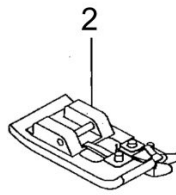
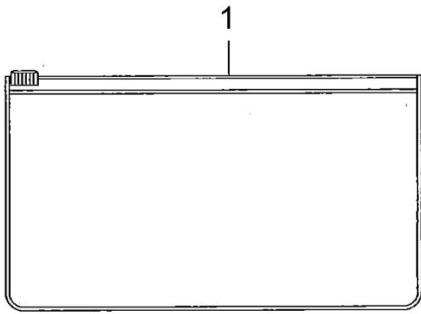
POWER SUPPLY & MAIN MOTOR COMPONENTS



POWER SUPPLY & MAIN MOTOR COMPONENTS

No.	Parts No.	Parts name	Remarks	Level	Cons	Qty
1	SM5040855SN	SCREW				2
2	40065716	MAIN MOTOR				1
3	40057951	MOTOR BRACKET ASSY				1
4	40056861	IDLER				1
5	RE0400000K0	E-RING 4				1
6	40057922	RUBBER WASHER SCREW				2
7	40062143	MOTOR SPACER				1
8	40066024	SPACER PLATE				1
9	40055830	MOTOR SHAFT PULLEY				1
10	40053472	MOTOR SHAFT PULLEY FLANGE				1
11	RE0400000K0	E-RING 4				1
12	SM8030612TP	SET SCREW				2
13	SL4051485SE	BASE PLATE SETSCREW				2
14	40057960	MOTOR TIMING BELT				1
15	SM5041055SN	SCREW M4X10				4
16	40088328	ASSY POWER SUPPLY				1
17	40056541	ASSY POWER SW UL	FOR G110(UL),G110(TWN), G210(UL),G210(TWN)			1
18	40056542	ASSY POWER SW EU	FOR G110(CE),G110(BS), G110(CE2),G110(CE3), G1- 10(CE4),G110(EK),G110(S- AA), G210(CE),G210(BS),G- 210(CE2), G210(CE3), G21- 0(CE4),G210(EK), G210(SAA)			1
19	40053475	SWITCHING POWER SOURCE COVER				1
20	A3811550000	CORD HOLDER				2
21	ST5031051SN	TAPPING SCREW				3
22	ST5031051SN	TAPPING SCREW				1
23	40053474	INLET COVER				1
24	40107932	CONTROLLER JACK PLATE				1
25	40056552	ASSY POWER SUPPLY RELAY				1
26	40107481	ASSY CONT SOCKET				1
27	A407855000B	BAND	FOR G110			9
28	E8760452F00	TUBE				1
29	40073193	ASSY MAIN MOTOR LEAD WIRE				1
30	WP0430801SC	WASHER M4				1
31	A407855000B	BAND	FOR G210			10

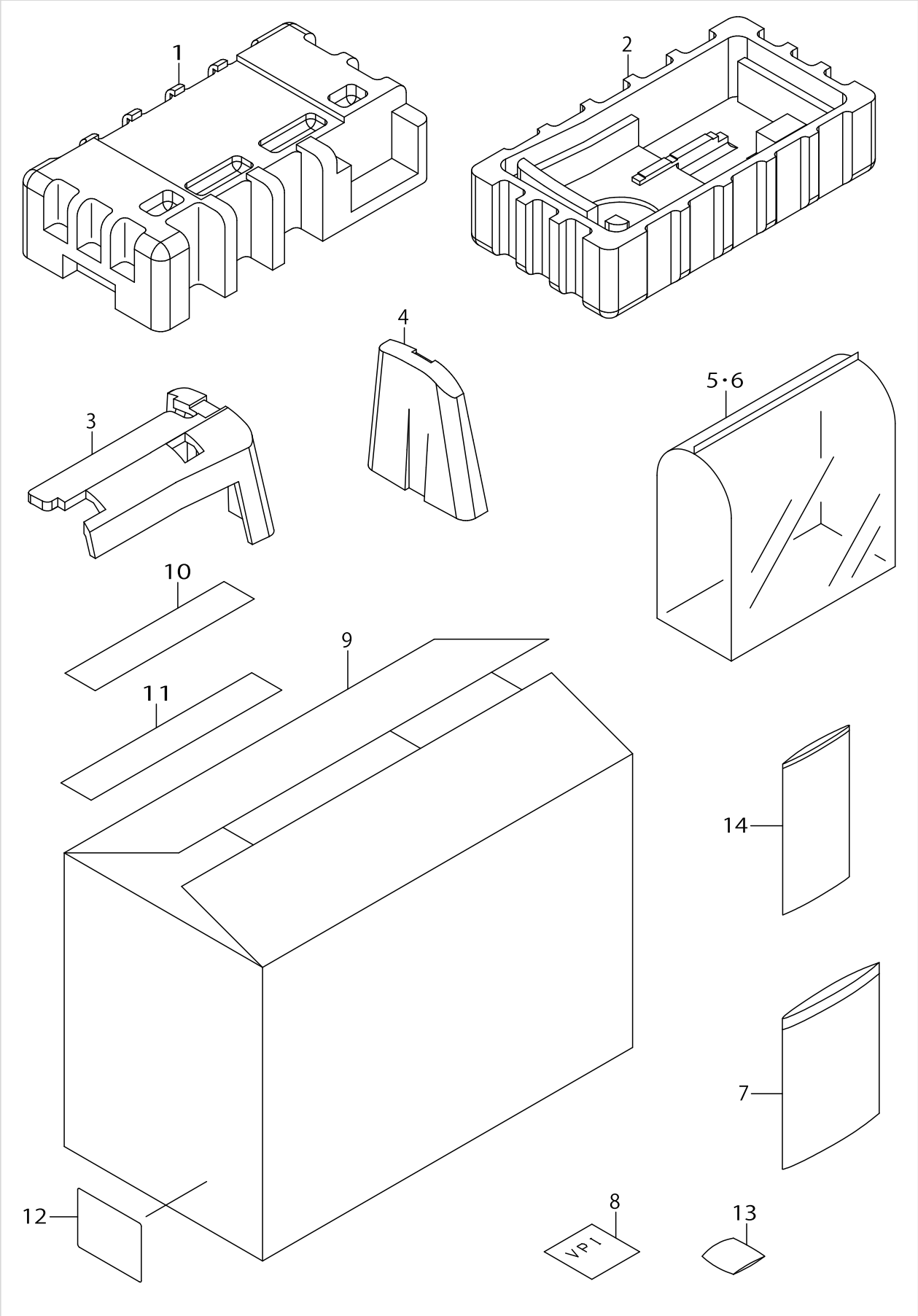
ACCESSORIE PARTS COMPONENTS



ACCESSORIE PARTS COMPONENTS

No.	Parts No.	Parts name	Remarks	Level	Cons	Qty
1	A9101550000	ACCESSORY BAG				1
2	40110163	ASSY OVERCASTING FOOT				1
3	40110162	ASSY BH PRESSER FOOT				1
4	A9110700000	SCREWDRIVER				1
5	40111392	SEAM RIPPER				1
6	001141000000	BOBBIN				3
7	40075804	NEEDLE SET				1
8	40107467	ASSY HARD CASE				1
9	40111092	INSTRUCTION MANUAL A	FOR G110(UL),G110(CE),G110(BS), G110(CE3),G110(SAA),G110(TWN), G210(UL),G210(CE),G210(BS), G21- 0(CE3),G210(SAA),G210(TWN)			1
10	40111093	INSTRUCTION MANUAL B	FOR G110(CE2),G110(CE3), G210(CE2),G210(CE3)			1
11	40111094	INSTRUCTION_MANUAL_C	FOR G110(EK),G210(EK)			1
12	40123949	INSTRUCTION_MANUAL_D	FOR G110(CE4),G210(CE4)			1
13	40115924	INSTRUCTION_MANUAL_CH	FOR G110(CH),G210(CH)			1
14	40114818	ASSY_INSTRUCTION_DVD_G110/G210_NTSC	FOR G110(UL),G110(EK), G110(TW- N), G210(UL),G210(EK),G210(TWN)			1
15	40114976	ASSY_INSTRUCTION_DVD_G110/G210_PAL	FOR G110(CE),G110(BS),G110(CE2), G110(CE3),G110(CE4),G110(SAA), G210(CE),G210(BS),G210(CE2), G2- 10(CE3),G210(CE4),G210(SAA)			1
16	40117077	ASSY_INSTRUCTION_DVD_G110/G210_CH_PAL	FOR G110(CH),G210(CH)			1
17	40075482	WARRANTY_CARD(JUKI_AMERICA)	FOR G110(UL),G210(UL)			1
18	40080802	WARRANTY_CARD	FOR G110(CE),G110(BS),G110(CE3), G110(CE4),G110(EK),G110(SAA), G- 210(CE),G210(BS),G210(CE3), G21- 0(CE4),G210(EK),G210(SAA)			1
19	40070282	WARRANTY_CARD	FOR G110(CH),G210(CH)			1
20	40110165	TRANSPARENTBUTTONEHOLEFOOT				1
21	40107483	FOOT CONTROLLER FOREIGN				1
22	40119192	FOOT_CONTROLLER_KOREA	FOR G110(EK),G210(EK)			1
23	A442101EZA0	ELECTRIC POWER CORD ASM.	FOR G110(UL),G110(TWN), G210(UL),G210(TWN)			1
24	A44219800AF	ELECTRIC POWER CORD	FOR G110(CE),G110(CE2), G110(C- E3),G110(CE4), G210(CE),G210(CE2),G210(CE3), G210(CE4)			1
25	40071949	POWER_CORD_SET_(BS).(ASM.)	FOR G110(BS),G210(BS)			1
26	A442150C00A	POWER_CORD_SET_(CH)	FOR G110(CH),G210(CH)			1
27	40079741	POWER_CORD_SET_(KOR)	FOR G110(EK),G210(EK)			1
28	A44219800AG	POWER_CORD_SET_(SAA)	FOR G110(SAA),G210(SAA)			1

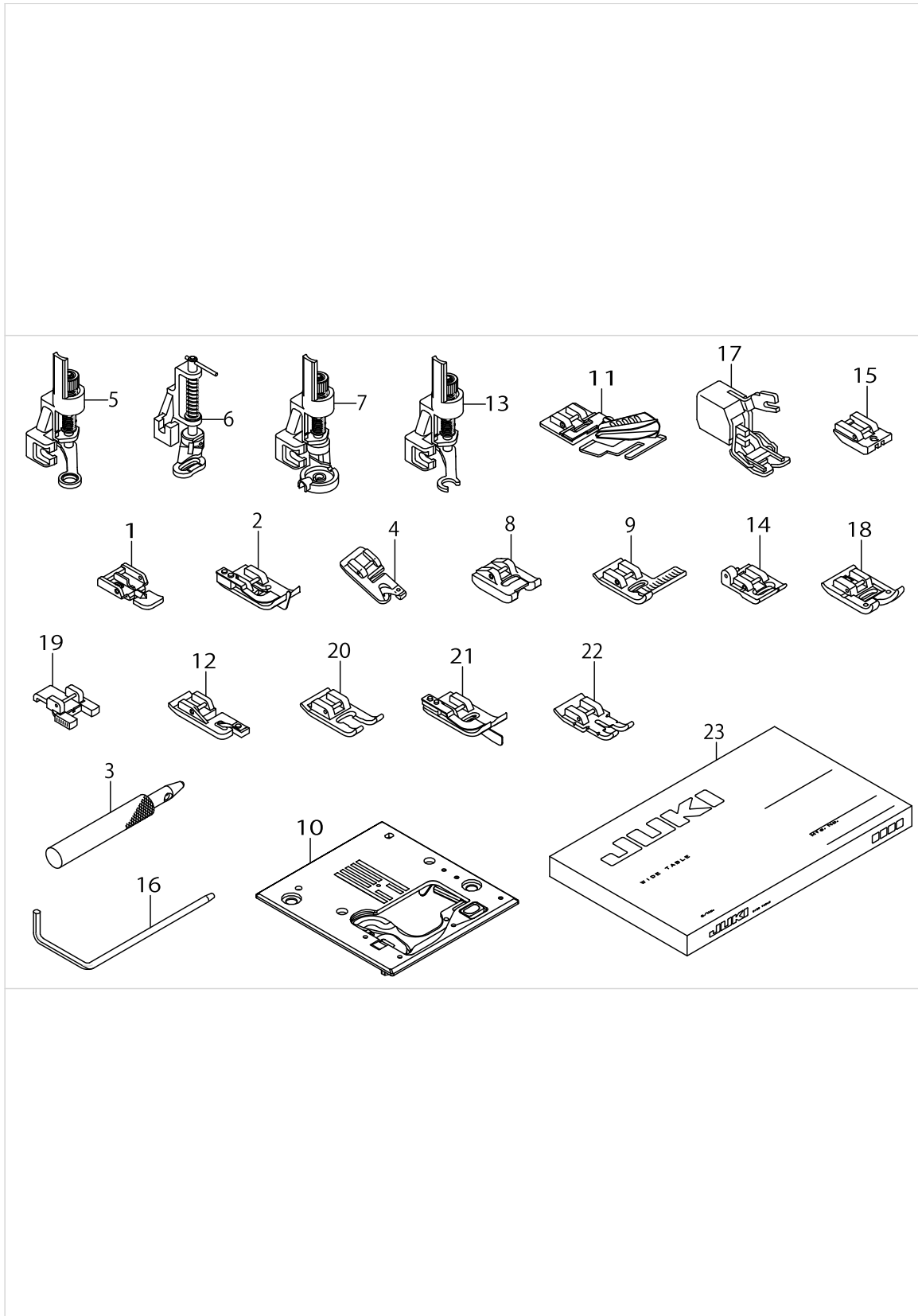
PACKING MATERIAL COMPONENTS



PACKING MATERIAL COMPONENTS

No.	Parts No.	Parts name	Remarks	Level	Cons	Qty
1	40108225	CUSHIONING TOP				1
2	40108226	CUSHIONING BOTTOM				1
3	40108227	CUSHIONING CASE A				1
4	40108228	CUSHIONING CASE B				1
5	40090758	MACHINE COVER				1
6	40090758	MACHINE COVER				1
7	A9181008000	VINYL				1
8	J0233500A00	VPI PAPER				1
9	40108229	OUTER PACKING CASE F				1
10	J0231010A0F	TAPE_FOR_PAKAGE(100)				4
11	40118901	TAPE_FOR_PAKAGE(120)				1
12	40080780	BAR CODE LABEL				1
13	J0240082A00	SILICA GEL				1
14	J0231082A00	VINYL SHEET				1

OPTIONAL ACCESSORY PARTS COMPONENTS



OPTIONAL ACCESSORY PARTS COMPONENTS

No.	Parts No.	Parts name	Remarks	Level	Cons	Qty
1	A91330100A0	ZIPPER FOOT ASM.				1
2	40112904	BP BLINDSTITCH FOOT				1
3	A9103880000	EYELET PUNCH				1
4	40080958	BP ROLLED HEMMING FOOT				1
5	40080964	BP QUILTING FOOT				1
6	40080953	BP CLEAR QUILTING FOOT				1
7	40080950	BP FREE MOTION CORDING FOOT				1
8	40080956	BP PEARL SEWING FOOT				1
9	40080952	BP STITCH GUIDE FOOT				1
10	40080968	BP STRAIGHT STITCH THROAT PLATE				1
11	40080954	BP BINDER FOOT				1
12	40080957	BP ZIG ZAG ROLLED HEMMING FOOT				1
13	40080949	BP OPEN QUILTING FOOT				1
14	40080951	BP APPLIQUE FOOT				1
15	40080955	BP INVISIBLE ZIPPER FOOT				1
16	A9134550000	RULER				1
17	40080963	BP EVEN FEED FOOT				1
18	40079312	BLISTER BAG ASM(DEC STTICH FOOT)				1
19	40080969	BP BUTTON SEWING FOOT				1
20	40080962	BP OPEN TOE FOOT				1
21	40080965	BP EDGE STITCH FOOT				1
22	40080959	BP PACHWORK FOOT				1
23	40079795	OP_WIDE_TABLE_SET_F				1

HOW TO MAKE USE OF THIS PARTS LIST

- 1.As to "#01" and "#02" refer to the "Note" given at the bottom of the respective pages.
- 2.Codes on the "Qty" column
 - Each numeral indicates the number of parts required.
 - "0.1" and "2.5" indicate the length (in meters) of the respective parts.
- 3.Parentheses mean that the corresponding part is a subpart that constructs an assembly part.
- 4.Dotted lines on the Figures indicate assembly parts.

NUMERICAL INDEX OF PARTS

PART NO	PAGE	REF NO.	PART NO	PAGE	REF NO.	PART NO	PAGE	REF NO.
001141000000	22	47	40053603	26	19	40055505	18	15
001141000000	38	6	40053604	26	29	40055507	18	22
021112002000	24	49	40053608	26	27	40055513	18	20
041207008000	24	48	40053609	26	38	40055517	18	39
123010006074	14	25	40053610	26	18	40055519	18	46
174803004000	30	43	40053611	26	24	40055520	18	45
174804008000	18	25	40053612	26	21	40055521	20	79
40053454	22	38	40053616	26	25	40055522	20	53
40053456	22	13	40053617	26	36	40055524	20	51
40053469	10	17	40053621	26	34	40055526	20	70
40053472	36	10	40053624	26	32	40055527	20	71
40053474	36	23	40053628	28	66	40055528	20	72
40053475	36	19	40053632	28	64	40055530	20	57
40053479	10	32	40053636	28	65	40055531	20	60
40053484	10	2	40053637	28	63	40055532	20	61
40053485	2	1	40053640	28	60	40055533	20	62
40053486	10	16	40053641	28	56	40055539	20	67
40053487	10	19	40053677	34	5	40055557	14	7
40053490	12	5	40053683	2	30	40055561	30	39
40053491	12	6	40053685	2	25	40055676	16	49
40053493	10	6	40053686	2	27	40055796	28	69
40053495	22	8	40055371	30	8	40055811	12	12
40053496	12	17	40055376	32	57	40055819	12	9
40053497	12	18	40055377	30	15	40055825	10	8
40053499	14	44	40055378	30	16	40055826	22	10
40053505	14	47	40055383	30	32	40055827	12	15
40053506	14	33	40055384	30	33	40055830	36	9
40053516	12	26	40055385	32	48	40056010	18	38
40053517	12	27	40055387	14	2	40056529	14	24
40053520	30	1	40055391	14	1	40056541	36	17·18
40053525	30	7	40055395	14	5	40056542	36	17·18
40053526	30	10	40055396	32	52	40056544	32	49
40053528	30	26	40055397	32	53	40056548	4	42
40053532	30	12	40055398	32	54	40056552	36	25
40053580	26	1	40055400	30	40	40056554	4	17
40053581	26	6	40055401	4	15	40056556	26	44
40053583	26	8	40055402	14	13	40056557	14	40
40053584	28	52	40055403	14	14	40056558	20	56
40053585	28	50	40055406	14	19	40056564	28	54
40053586	26	9	40055420	30	34	40056604	22	12
40053587	26	11	40055496	18	1	40056861	10	33
40053588	26	43	40055499	18	3	40056861	36	4
40053592	26	12	40055501	18	32	40056945	12	36
40053598	26	13	40055502	18	27	40056969	14	8
40053602	26	16	40055504	18	4	40056970	12	23

NUMERICAL INDEX OF PARTS

PART NO	PAGE	REF NO.	PART NO	PAGE	REF NO.	PART NO	PAGE	REF NO.
40056975	22	39	40065718	26	3	40080952	42	9
40056976	22	40	40065720	34	15	40080953	42	6
40057187	10	20	40066024	36	8	40080954	42	11
40057188	10	21	40066041	34	18	40080955	42	15
40057189	10	22	40066124	30	4	40080956	42	8
40057190	10	23	40066193	30	46	40080957	42	12
40057194	10	24	40066195	30	45	40080958	42	4
40057334	20	76	40066198	14	34	40080959	42	22
40057335	20	52	40066231	14	32	40080962	42	20
40057384	10	28	40066691	20	54	40080963	42	17
40057922	2	17	40067261	26	46	40080964	42	5
40057922	36	6	40067671	28	48	40080965	42	21
40057923	14	26	40069623	4	9	40080968	42	10
40057951	36	3	40070282	38	17~19	40080969	42	19
40057960	36	14	40070284	4	16	40081293	22	15
40057974	30	28	40070286	30	41	40088328	36	16
40057983	10	12	40070288	14	42	40090758	40	5·6
40057990	2	16	40071728	12	37	40097677	34	13
40057991	2	22	40071949	38	23~28	40097679	34	3
40058088	4	23	40071969	18	35	40097680	34	7
40058626	22	17	40071970	18	6	40099886	22	6
40059167	4	43	40071971	18	7	40104568	6	56
40059249	2	4	40071972	18	8	40105360	4	37·38
40060607	18	37	40071973	18	9	40105670	4	2
40060608	22	18	40072395	2	14	40107428	2	12
40061618	14	22	40073193	36	29	40107431	4	1
40061796	34	11	40073194	34	21	40107435	2	23
40062034	4	28	40075482	38	17~19	40107439	4	11
40062044	30	22	40075804	38	7	40107442	32	55
40062047	30	23	40076145	34	9	40107448	4	13
40062048	30	24	40076508	22	43	40107451	4	19
40062143	36	7	40078681	26	39	40107452	4	21
40062144	14	29	40078685	28	73	40107455	4	4·5
40062407	12	31	40078686	28	71	40107458	4	4·5
40062500	2	8	40078690	28	74	40107467	38	8
40062518	10	27	40079312	42	18	40107476	14	4
40064224	14	23	40079424	22	23	40107480	4	37·38
40064571	2	31	40079614	22	16	40107481	36	26
40064572	4	27	40079741	38	23~28	40107483	38	21·22
40064573	30	21	40079795	42	23	40107566	2	28
40064702	8	4	40080780	40	12	40107567	2	29
40064704	30	31	40080802	38	17~19	40107577	4	44·45
40064997	22	37	40080949	42	13	40107581	4	44·45
40065631	8	5	40080950	42	7	40107585	4	6
40065716	36	2	40080951	42	14	40107588	30	11

NUMERICAL INDEX OF PARTS

PART NO	PAGE	REF NO.	PART NO	PAGE	REF NO.	PART NO	PAGE	REF NO.
40107594	6	48	40108225	40	1	A1650008000A	20	65
40107595	4	47	40108226	40	2	A1651008000	20	68
40107596	4	46	40108227	40	3	A1658008000	20	69
40107598	4	7·8	40108228	40	4	A18090310A0	22	31
40107599	4	7·8	40108229	40	9	A1810E60000	22	2
40107600	4	36	40108574	12	2	A18300310A0	22	30
40107601	8	17	40108579	12	1	A1830E800B0	22	25
40107604	8	14	40110162	38	3	A1830E800C0	22	24
40107606	12	3	40110163	38	2	A1831031000	22	28
40107608	8	13	40110165	38	20	A1832008000	22	26
40107610	34	19	40110417	8	11	A1833E50000	22	33
40107612	12	14	40111092	38	9~13	A1840009000	22	19
40107614	14	17	40111093	38	9~13	A1841S56000	22	20
40107895	2	3	40111094	38	9~13	A1843030000	22	21
40107898	2	10	40111151	8	1·2	A1844030000	22	22
40107899	2	20	40111392	38	5	A2110700000	20	66
40107900	6	55	40111549	8	1·2	A2110700000	30	6
40107901	10	1	40112878	30	9	A2444500000	28	61
40107902	12	19	40112904	42	2	A3187010000	26	30
40107903	12	30	40114818	38	14~16	A3205555A00	2	15
40107904	12	33	40114976	38	14~16	A3205555A00	20	77
40107905	12	38	40115924	38	9~13	A3233731000	4	31
40107906	12	4	40116031	34	14	A3234550000	4	29
40107907	14	36	40117077	38	14~16	A3235030Z00A	4	30
40107908	14	38	40118901	40	11	A3236880000	4	32
40107913	14	12	40119192	38	21·22	A3237880000	4	33
40107914	18	10	40123949	38	9~13	A3711010000A	2	13
40107915	18	16	A1111008000	8	10	A3711010000A	26	37
40107916	18	21	A1114010000A	8	3	A3811550000	4	40
40107917	18	26	A1117008000	8	9	A3811550000	36	20
40107918	18	28	A1119010000	8	15	A3910634000B	30	3
40107919	18	33	A1138335000	8	16	A3922980000	6	54
40107921	18	43	A1138335000	22	42	A407855000B	36	27·31
40107924	20	59	A1139030Z00	4	34	A442101EZA0	38	23~28
40107929	22	1	A1145E50000	4	25	A442150C00A	38	23~28
40107930	32	58	A1159770000	2	21	A44219800AF	38	23~28
40107931	30	30	A1203030000	18	18	A44219800AG	38	23~28
40107932	36	24	A1203030000	22	4	A9101550000	38	1
40108202	4	20	A1223010000	10	29	A9103880000	42	3
40108206	6	50~53	A1412010000	12	7	A9110700000	38	4
40108208	6	50~53	A1427010000A	12	24	A91330100A0	42	1
40108210	6	50~53	A1456008000A	14	45	A9134550000	42	16
40108212	6	50~53	A1617030000	12	34	A9181008000	40	7
40108218	12	13	A1624010000	18	40	CM300200001	30	20
40108219	14	18	A1646010000	14	31	CS1000881TP	10	4

NUMERICAL INDEX OF PARTS

PART NO	PAGE	REF NO.	PART NO	PAGE	REF NO.	PART NO	PAGE	REF NO.
E8760452B00	34	20	RE0600000K0	10	25	SM5040855SN	18	47
E8760452F00	36	28	RE0700000K0	18	17	SM5040855SN	22	44
HA00325000B	34	16	RE0700000K0	22	3	SM5040855SN	26	70
J0231010A0F	40	10	RE0800000K0	10	15	SM5040855SN	28	70
J0231082A00	40	14	RE0800000K0	20	48	SM5040855SN	30	38
J0233500A00	40	8	RO133170100	10	7	SM5040855SN	34	12
J0240082A00	40	13	SL4030591SC	32	56	SM5040855SN	36	1
MHA100B1400	12	16	SL4030691SC	4	14	SM5041055SN	36	15
NM6030002SF	26	4	SL4030691SC	14	35	SM5041455SN	10	31
NM6030002SF	30	18	SL4030691SC	26	49	SM5041455SN	18	42
NM6030002SF	34	10	SL4030691SC	28	49	SM8030312TP	10	18
NM6860002MZ	28	62	SL4030891SC	4	10	SM8030312TP	12	35
PH0300062C0	2	5	SL4030891SC	14	46	SM8030312TP	14	43
PH0300182C0	4	24	SL4030891SC	26	5	SM8030312TP	20	58
PS0200082KP	12	11	SL4031091SC	14	28	SM8030312TP	26	51
PS0200082KP	18	2	SL4032081SC	30	17	SM8030312TP	28	51
PS0200082KP	26	10	SL4032591SC	34	6	SM8030312TP	34	2
PS0200122KP	18	73	SL4040691SC	12	29	SM8030612TP	18	41
PS0200122KP	20	73	SL4051485SE	36	13	SM8030612TP	36	12
PS0200182KP	30	2	SL5030531SF	14	11	SM8040412TP	2	2
PS020082KP	12	39	SL5030531SF	28	55	SM8040412TP	12	25
PS0400222KP	10	3	SL5040835SN	32	51	SM8040412TP	18	75
RC0370411KP	10	26	SL6041692TN	22	9	SM8040412TP	20	75
RE0150000K0	26	17	SM4020201SC	8	7	SM8040412TP	22	34
RE0200000K0	12	22	SM4020301SC	8	8	SM8040602TP	14	16
RE0200000K0	26	40	SM4020401SC	20	63	SM8050512TN	10	30
RE0200000K0	30	35	SM4020401SF	8	12	SM8050602TP	14	20
RE0300000K0	12	40	SM4831001SF	32	50	ST5030851SN	2	6
RE0300000K0	14	3	SM5020301SC	22	41	ST5030851SN	6	57
RE0300000K0	18	13	SM5020855SN	34	22	ST5030851SN	30	14
RE0300000K0	26	72	SM5030455SF	30	37	ST5031051SN	4	49
RE0300000K0	28	72	SM5030455SF	34	17	ST5031051SN	6	49
RE0300000K0	30	44	SM5030455SN	14	41	ST5031051SN	36	22
RE0400000K0	2	7	SM5030655SN	18	36	ST5031251SS	4	3
RE0400000K0	10	34	SM5030655SN	22	46	ST5041051SN	34	1
RE0400000K0	14	48	SM5030655SN	26	45	WP0210516SD	20	64
RE0400000K0	16	48	SM5030655SN	30	29	WP0310516RZ	26	41
RE0400000K0	18	55	SM5030655SN	34	8	WP0320501SC	30	36
RE0400000K0	20	55	SM5031001SE	30	47	WP0410516RZ	18	14
RE0400000K0	26	67	SM5031401SC	30	42	WP0410516RZ	26	23
RE0400000K0	28	67	SM5040855SN	2	26	WP0430801SC	36	30
RE0400000K0	34	4	SM5040855SN	4	41	WP0520516RZ	14	27
RE0400000K0	36	11	SM5040855SN	10	35	WP0520516RZ	18	29
RE0500000K0	20	78	SM5040855SN	12	32	WP0520516RZ	26	58
RE0500000K0	28	68	SM5040855SN	14	39	WP0520516RZ	28	58

NUMERICAL INDEX OF PARTS

PART NO	PAGE	REF NO.
WP0620516RZ	22	45
WP0621016SD	20	80
WP1021016SD	20	50
WZ0320290UZ	12	20
WZ1052010KP	20	49