

MODEL : TL-2101Q/2000Qi

List No : 6019-00

# PARTS LIST

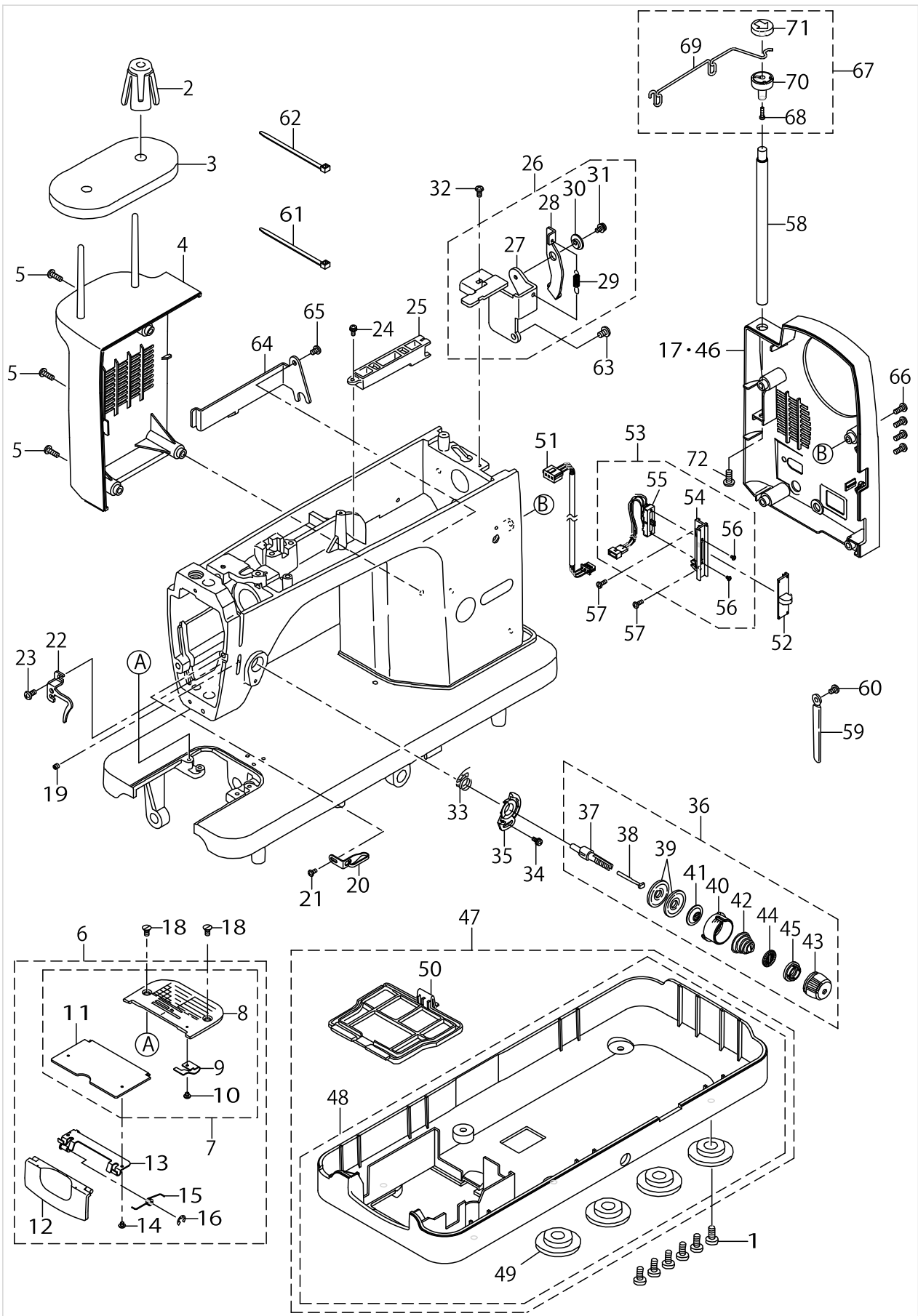
Published:09/10/2017

## CONTENTS

---

HEAD AND OUTER COMPONENTS .....	1
ARM COVER, FACE PLATE AND LAMP COMPONENTS .....	5
MAIN SHAFT, THREAD TAKE-UP AND IDLER COMPONENTS .....	9
NEEDLE BAR, HOOK DRIVING SHAFT AND THREADER COMPONENTS .....	11
FEED MECHANISM COMPONENTS.....	15
DROP FEED KNOB COMPONENTS.....	19
PRESSER, KNEE LIFTER, WIRE HOLDER AND THREAD RELEASE COMPONENTS .....	21
MOTOR AND MAIN CIRCUIT BOARD COMPONENTS .....	25
MOVING KNIFE, LOOPER AND THREAD TRIMMER SOLENOID COMPONENTS .....	29
ACCESSORIES AND PACKING COMPONENTS .....	33
SEPARATELY-SOLD COMPONENTS .....	35
HOW TO MAKE USE OF THIS PARTS LIST .....	37

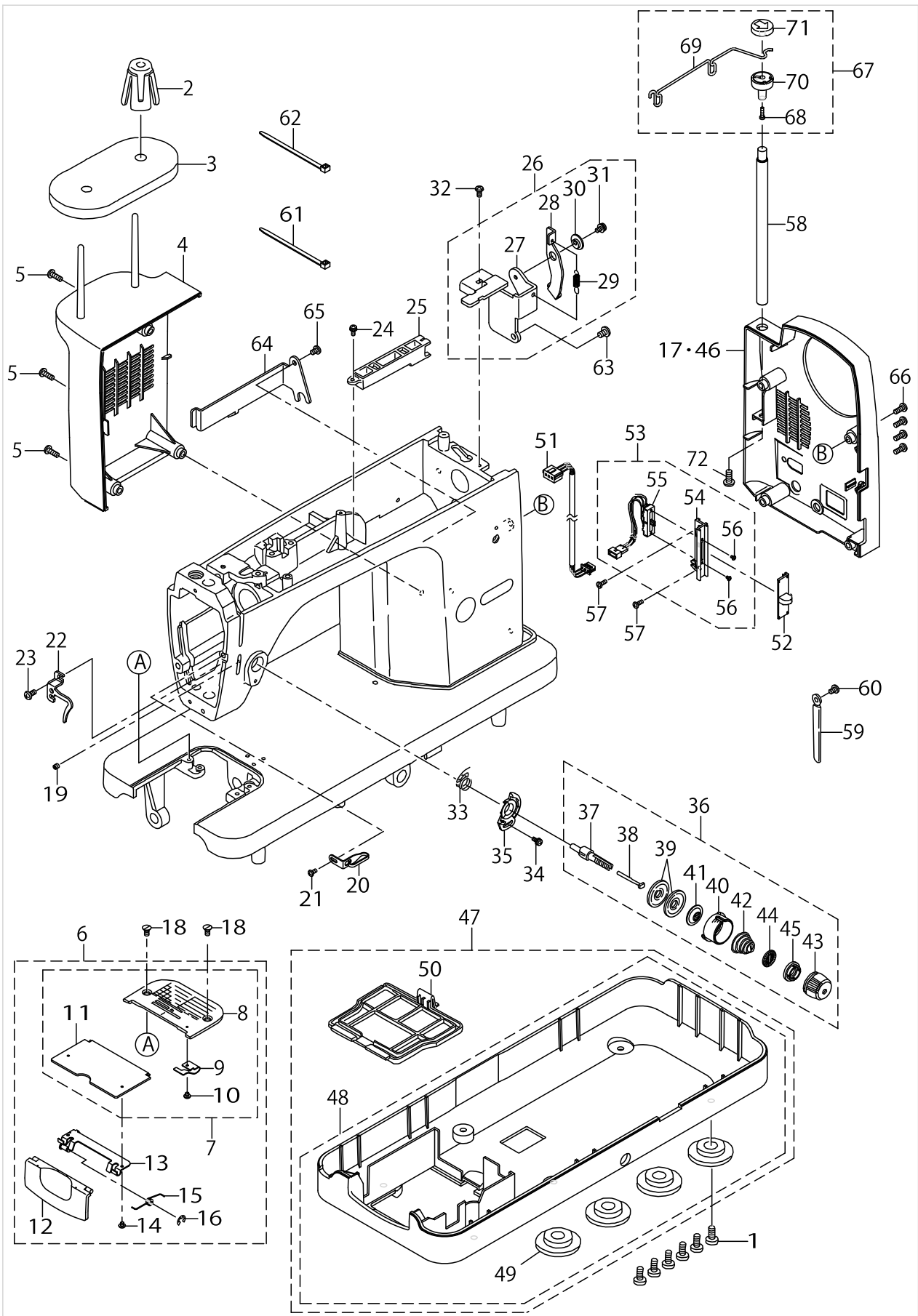
# HEAD AND OUTER COMPONENTS



HEAD AND OUTER COMPONENTS

No.	Parts No.	Parts name	Remarks	Level	Cons	Qty
1	SM5051255SN	SCREW				6
2	A1120202000	BOBBINWINDERDEFLECTIONSTOPPER				1
3	A1121090000	BOBBIN WINDER SHEET				1
4	A7105D25000	MOTOR COVER				1
5	SM5041255SN	SCREW				3
6	A1109E98ZC0	NEEDLE PLATE WHOLE MAS. ASM.				1
7	A1109E98ZB0	NEEDLE PLATE MAS. ASM.		*		1
8	A1109E98Z00	NEEDLE PLATE		*		1
9	A1112090000	SPRING		*		1
10	SM4020201SC	SCREW		*		1
11	A1110D980A0	BOBBIN CASE COVER ASM.		*		1
12	A1112D98000	SIDE COVER		*		1
13	A1113E98ZA0	STOPPER PLATE ASM.		*		1
14	SM4020201SC	SCREW		*		2
15	A1118E98Z00	SPRING		*		1
16	RE0300000K0	E-RING		*		1
17	A7103H25000	BELT COVER	FOR TL-2000Qi			1
18	SM1040800SL	SCREW				2
19	SM8040602TP	SCREW				1
20	A3114D25000	THREAD GUIDE				1
21	SM5030655SN	SCREW				1
22	A3135096000	THREAD TENSION THREAD GUIDE				1
23	SM4040855SP	SCREW				1
24	SL5030831SF	SCREW				1
25	A5001090000	CORD GUIDE				1
26	A50000960A0	CORD GUIDE PLATE ASM.				1
27	A5000096000	CORD GUIDE PLATE		*		1
28	A5002096000	CLUTCH PLATE		*		1
29	A3206030000	SPRING		*		1
30	A2435033000	LINK COLLAR		*		1
31	SL5030635SN	SCREW		*		1
32	SM5030655SN	SCREW				1
33	A3128098000	THREAD TAKE-UP SPRING				1
34	SL5030801SN	SCREW				1
35	A3111D98000	ADJUSTING PLATE				1
36	A3122D250A0A	THREAD TENSION ASM.				1
37	A311209000AA	THREAD TENSION POST		*		1
38	A3127090000B	TENSION RELEASE PIN		*		1
39	B3126012000	THREAD TENSION DISK		*		2
40	A3132D98000	DISK PRESSER		*		1
41	A3133D98000	DISK PRESSER PLATE		*		1
42	B3129012A00	THREAD TENSION SPRING A		*		1
43	A3124D25000	KNOB		*		1
44	B3120125000	ROTATION STOPPER		*		1
45	A3124096A00	KNOB RATCHET		*		1
46	40096691	BELT_COVER	FOR TL-2010Q			1
47	A1160E98ZB0	BED COVER MAS. ASM.				1

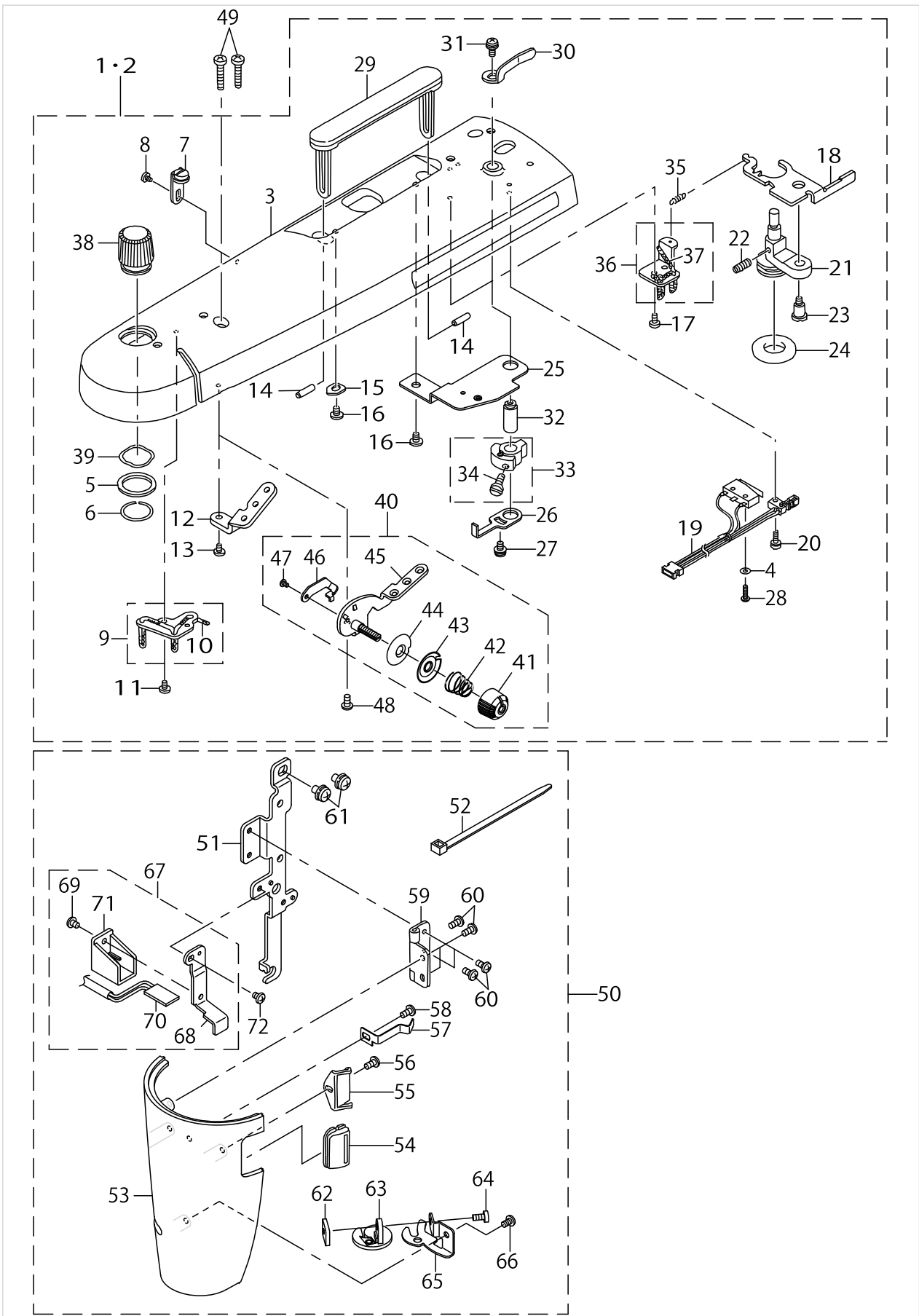
# HEAD AND OUTER COMPONENTS



HEAD AND OUTER COMPONENTS

No.	Parts No.	Parts name	Remarks	Level	Cons	Qty
48	A1160E98ZA0	BED COVER ASM.		*		1
49	A116009000A	RUBBER SEAT		*		4
50	A1161090000	BED COVER LID		*		1
51	A4519X280A0	SP.L. VR RELAY LEAD CABLE ASM.	FOR TL-2010Q			1
52	A4509X28000	SPEED LIMIT VR KNOB	FOR TL-2010Q			1
53	A4510X280A0	SPEED LIMIT VR BASE ASM.	FOR TL-2010Q			1
54	A4510X28000	SPEED LIMIT VR BASE	FOR TL-2010Q	*		1
55	A4508X280A0A	SPEED LIMIT VR ASM.	FOR TL-2010Q	*		1
56	SM4020301SC	SCREW M2X0.4 L=3	FOR TL-2010Q	*		2
57	ST5030851SN	SCREW M3 L=8	FOR TL-2010Q			2
58	40082787	THREAD_GUIDE_POST_L				1
59	A3811550000	CORD HOLDER				1
60	SM5040601SE	SCREW				1
61	A407855000B	CLIP BAND				1
62	A407855000B	CLIP BAND				1
63	SM5040655SN	SCREW				1
64	A4502E98Z00	CORD GUIDE PLATE				1
65	SM5040601SE	SCREW M4 L=6				1
66	SM5041055SN	SCREW				4
67	A1116D250A0	THREAD GUIDE ASM.				1
68	ST4861051SN	SCREW		*		1
69	A1116D25000	THREAD GUIDE		*		1
70	A1121313000	THREAD GUIDE BASE		*		1
71	A1120313000	THREAD GUIDE TOP		*		1
72	SM5051255SN	SCREW				1

ARM COVER, FACE PLATE AND LAMP COMPONENTS

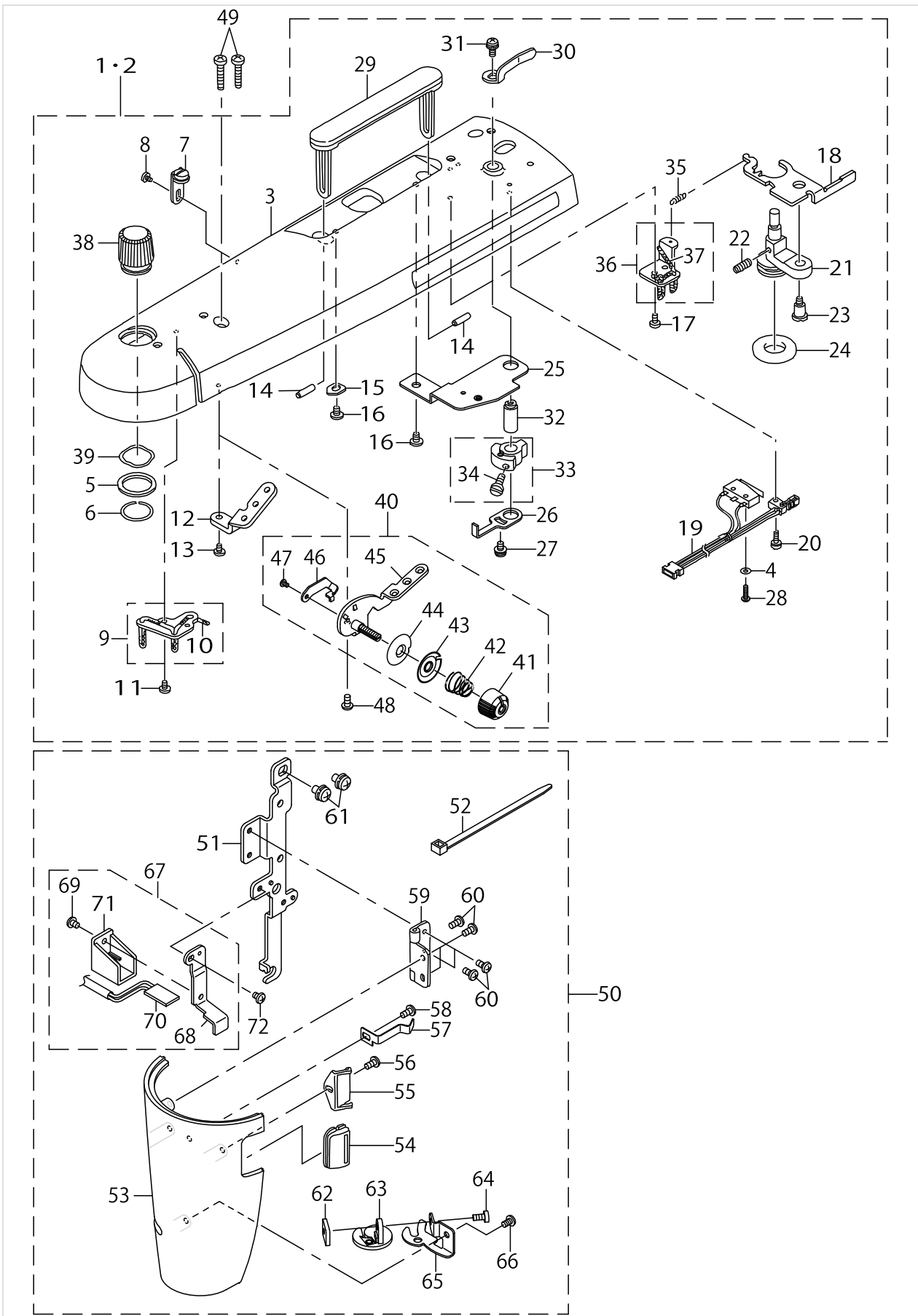


ARM COVER, FACE PLATE AND LAMP COMPONENTS

No.	Parts No.	Parts name	Remarks	Level	Cons	Qty
1	40096632	ARM COVER MAS. ASM. TL2010Q	FOR TL-2010Q			1
2	40096633	ARM COVER MAS. ASM. TL2000Qi	FOR TL-2000Qi			1
3	40068115	ARM COVER		*		1
4	WP0250501SC	WASHER		*		1
5	A150209000B	WASHER		*		1
6	A150209000A	STOP RING		*		1
7	A32319570A0	THREAD GUIDE BASE ASM.		*		1
8	SM5030655SN	SCREW		*		1
9	A11360900AA	STOPPER PLATE A ASM.		*		1
10	A113809000A	OIL WICK A		*		1
11	SM5030655SN	SCREW		*		1
12	A1128096000	THREAD GUIDE NO.1	FOR TL-2000Qi	*		1
13	SM5030655SN	SCREW	FOR TL-2000Qi	*		1
14	A1137090000	HANDLE GUIDE SHAFT		*		2
15	A1138500000A	WASHER		*		1
16	SM5040655SN	SCREW		*		2
17	SM5030655SN	SCREW		*		1
18	A3221096000	ADJUSTING PLATE		*		1
19	A32260960A0A	BOBBIN WINDER SWITCH ASM.		*		1
20	SL5031031SE	SCREW		*		1
21	A32040900A0	BOBBIN WINDER ASM.		*		1
22	A3208X28000	SPRING		*		1
23	A3205090000	SCREW		*		1
24	A321600100A	RUBBER RING		*		1
25	A3235096000	BOBBIN WINDER SWITCH INSTALLING PLATE		*		1
26	A3236096000	CONTACT PLATE		*		1
27	SL5030635SN	SCREW		*		1
28	SM4831001SF	SCREW		*		1
29	A11340900A0	HANDLE ASM.		*		1
30	A3217072000	BOBBIN HOLDER		*		1
31	SL5030801SN	SCREW		*		1
32	A3218096000	BOBBIN HOLDER SHAFT		*		1
33	A32190960A0	BOBBIN WINDER CONTROLLER ASM.		*		1
34	SM4041055SF	SCREW		*		1
35	A3222090000	SPRING		*		1
36	A11360900AB	OIL WICK HOLDER PLATE B ASM.		*		1
37	A113809000B	OIL WICK B		*		1
38	A1502090000	KNOB		*		1
39	A150209000C	WASHER		*		1
40	A1128X280B0	FIRST TENSION BASE MAS. ASM.	FOR TL-2010Q	*		1
41	A1127X28000	FIRST TENSION KNOB	FOR TL-2010Q	*		1
42	A1126X28000	FIRST TENSION SPRING	FOR TL-2010Q	*		2
43	A3190030Z00	TENSION BASE B	FOR TL-2010Q	*		1
44	A3189030Z00	TENSION BASE A	FOR TL-2010Q	*		1
45	A1128X280A0	FIRST TENSION ASM.	FOR TL-2010Q	*		1
46	A1130X28000	FIRST THREAD TENSION DISK FIX PLATE	FOR TL-2010Q	*		1
47	SM5020301SC	SCREW M2 L=3	FOR TL-2010Q	*		1



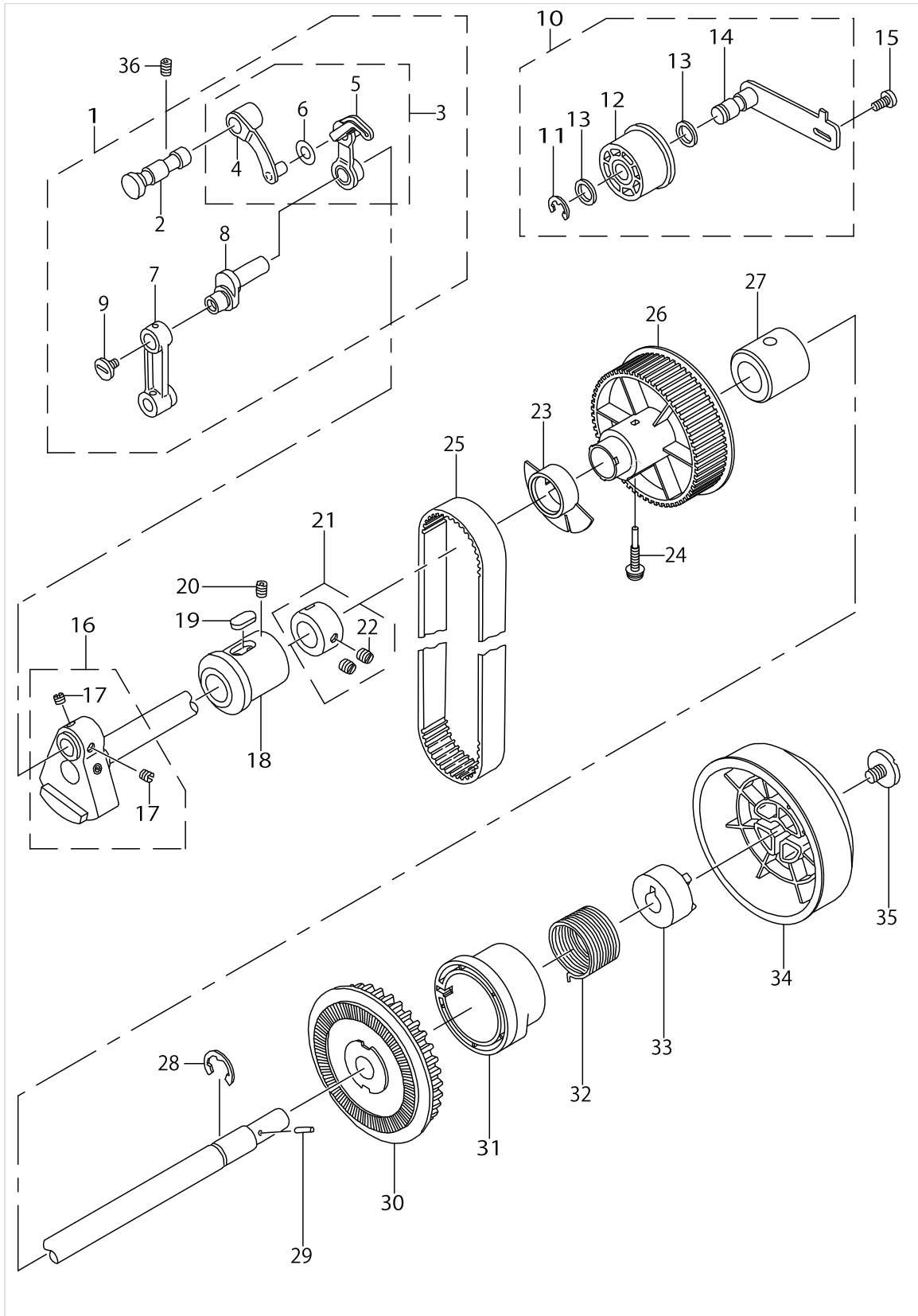
ARM COVER, FACE PLATE AND LAMP COMPONENTS



ARM COVER, FACE PLATE AND LAMP COMPONENTS

No.	Parts No.	Parts name	Remarks	Level	Cons	Qty
48	SM5030655SN	SCREW M3X0.5 L=6	FOR TL-2010Q	*		1
49	SM5042005SN	SCREW M4 L=20				2
50	A3805Q98ZA0	FACE PLATE ASM.				1
51	A3805096000	FACE PLATE		*		1
52	A407855000B	LAMP CLIP BAND		*		2
53	A3115D25000	FACE COVER		*		1
54	A3116Q98Z00	PRESSURE INDICATING PLATE		*		1
55	A3117090000	HOLDING PLATE		*		1
56	SM5030655SN	SCREW		*		1
57	A3119096000	SPRING		*		1
58	SM5030655SN	SCREW		*		1
59	A31180900A0	FACE COVER LATCH ASM.		*		1
60	SM5030655SN	SCREW		*		4
61	SL5040631SE	SCREW		*		2
62	A3151535000	NUT		*		1
63	A3120D250A0	THREAD TRIMMER KNIFE ASM.		*		1
64	SM5030655SN	SCREW		*		1
65	A3123D25000	KNIFE INSTALLING BASE		*		1
66	SM5030501SC	SCREW		*		1
67	40096595	ASSY_LED_LAMP		*		1
68	40096594	LED_BRACKET		*		1
69	SM5030455SF	SCREW M3 L=4		*		1
70	40096551	ASSY_LED_CIRCUIT_BOARD		*		1
71	40096593	LED_CASE		*		1
72	SM5030455SF	SCREW M3 L=4		*		1

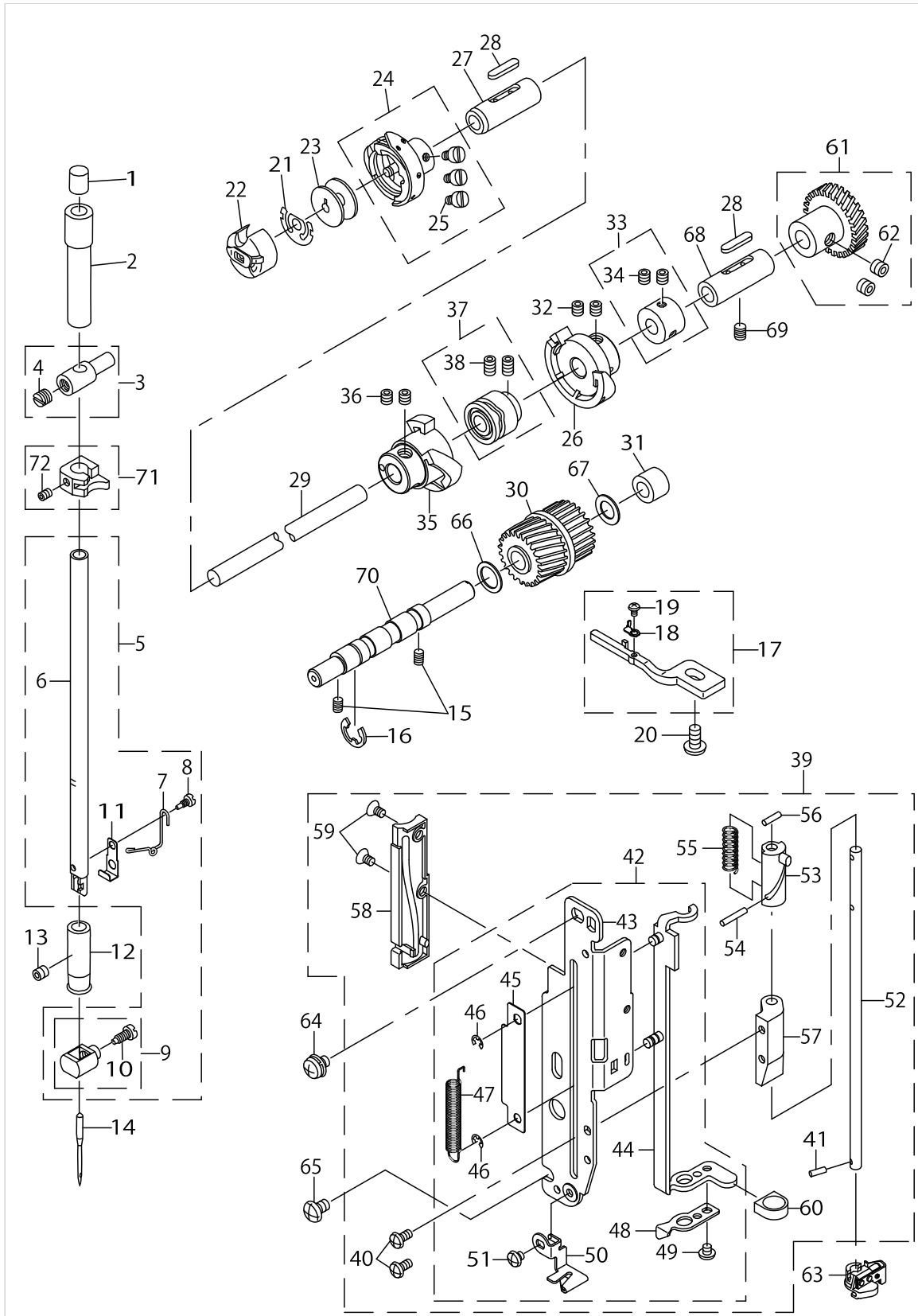
# MAIN SHAFT, THREAD TAKE-UP AND IDLER COMPONENTS



MAIN SHAFT, THREAD TAKE-UP AND IDLER COMPONENTS

No.	Parts No.	Parts name	Remarks	Level	Cons	Qty
1	A19010900C0	THREAD TAKE-UP MAS. ASM.				1
2	A1902090000	THREAD TAKE-UP SUPPORTING SHAFT		*		1
3	A19010900B0	THREAD TAKE-UP ASM.		*		1
4	A19040900A0	THREAD TAKE-UP SUPPORT ASM.		*		1
5	A19010900A0	THREAD TAKE-UP BODY ASM.		*		1
6	WP0620316RZ	WASHER		*		1
7	A1408090000	NEEDLE BAR CRANK ROD		*		1
8	A1209072000	NEEDLE BAR CRANK		*		1
9	A1219907000	LEFT SCREW		*		1
10	A72010900B0	IDLER MAS. ASM.				1
11	RE0600000K0	E-RING		*		1
12	A72030900A0	IDLER ASM.		*		1
13	A7204090000A	WASHER		*		2
14	A72010900A0	IDLER INSTALLING PLATE ASM.		*		1
15	SM5040855SN	SCREW				1
16	A1201D980A0	MAIN SHAFT ASM.				1
17	SM8060502TP	SCREW		*		2
18	A1202090000	MAIN SHAFT FRONT BUSHING				1
19	A1203007000	FELT				1
20	SM8050602TP	SCREW				1
21	A12050900A0	MAIN SHAFT THRUST COLLAR ASM.				1
22	SM8060502TP	SCREW		*		2
23	A1210D25000	MAIN SHAFT DETECTOR SHIELD				1
24	A1226D98000	SCREW				1
25	A7110090000	MAIN SHAFT TIMING-BELT				1
26	A1227D98000	MAIN SHAFT PULLEY				1
27	A1204090000	MAIN SHAFT REAR BUSHING				1
28	RE1000000K0	E-RING				1
29	A1225090000	STOPPER PIN				1
30	A1232090000A	MOTOR PULLEY				1
31	A1244096000	CLUTCH SPRING SUPPORT				1
32	A1248096000	CLUTCH SPRING				1
33	A1229090000	HAND WHEEL BUSHING				1
34	A1228090000A	HAND WHEEL				1
35	A1230500000A	SCREW				1
36	SM8050602TP	SCREW				1

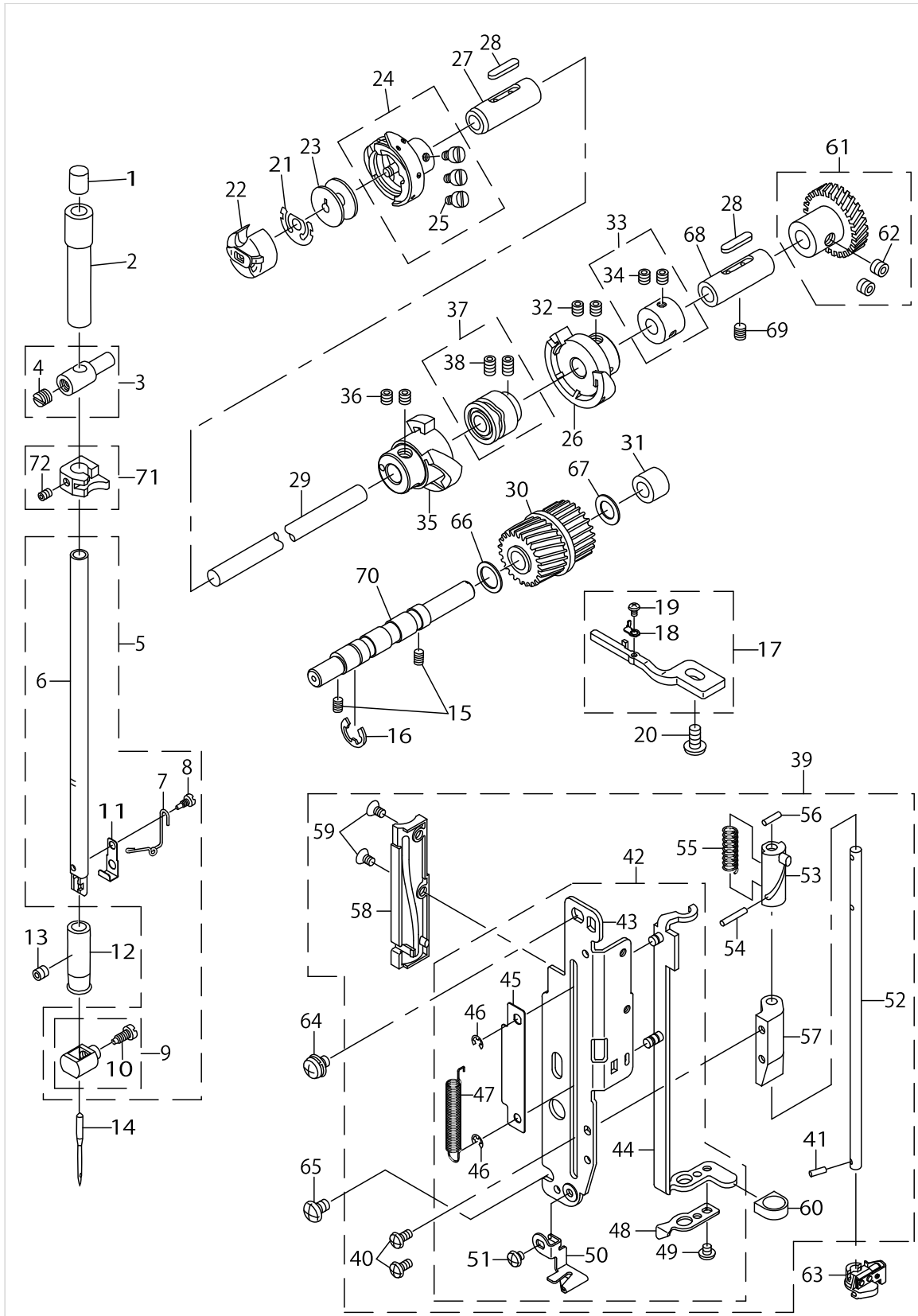
NEEDLE BAR, HOOK DRIVING SHAFT AND THREADER COMPONENTS



NEEDLE BAR, HOOK DRIVING SHAFT AND THREADER COMPONENTS

No.	Parts No.	Parts name	Remarks	Level	Cons	Qty
1	A1404072000	FELT				1
2	A1402090000	NEEDLE BAR UPPER BUSHING				1
3	A14110900A0	NEEDLE BAR CONNECTION ASM.				1
4	SM8060510SP	SCREW		*		1
5	A14010960B0A	NEEDLE BAR ASM.				1
6	A1401096000A	NEEDLE BAR		*		1
7	A141609600AA	NEEDLE BAR THREAD BRACKET		*		1
8	A1420001000	SCREW		*		1
9	A14160960A0	NEEDLE CLAMP ASM.		*		1
10	A1417096000	SCREW		*		1
11	A1402096000A	NEEDLE MIS-INSERT PREVENTING PLATE		*		1
12	A1403090000	NEEDLE BAR LOWER-BUSHING				1
13	SM8040402TP	SCREW				1
14	MHA100B1400	NEEDLE(HA 1 #14)				1
15	SM8040602TP	SCREW				2
16	RE0600000K0	E-RING				1
17	A18350900A0B	BOBBIN CASE POSITIONING FINGER ASM.				1
18	A1835090A00A	SPRING		*		1
19	SM4020301SN	SCREW		*		1
20	SM5040855SN	SCREW				1
21	A183770000A	IDLING PREVENTING SPRING				1
22	A1837D250AB	BOBBIN CASE ASM.				1
23	A9117007000	BOBBIN				1
24	A1830D250AA	HOOK ASM.				1
25	SS6110560TP	SCREW		*		3
26	A2462D25000	ROLLER HOLDING CAM				1
27	A1802007000	HOOK DRIVING SHAFT FRONT BUSHING				1
28	B1806038000	FELT				2
29	A1801D98000	HOOK DRIVING SHAFT				1
30	40080974	HOOK_DRIVING_SHAFT_PULLEY				1
31	A180909600A	ECCENTRIC SHAFT BUSHING				1
32	SM8050402TP	SCREW				2
33	A18910960A0	HOOK DRIVING SHAFT THRUST COLLAR ASM.				1
34	SM8040402TP	SCREW		*		2
35	A2461D25000	TREAD CUTTER AUXILIARY CAM				1
36	SM8040402TP	SCREW				2
37	A24020900A0B	THREAD CUTTER CAM ASM.				1
38	SM8050602TP	SCREW		*		2
39	A1450D250B0	THREAD SUPPORTING PLATE ASM.				1
40	SM5030655SN	SCREW		*		2
41	PH0200062C0	PIN B		*		1
42	A1450D250A0	THREAD SUPPORTING PLATE ASM.		*		1
43	A1450096000	THREAD SUPPORTING PLATE		*		1
44	A14310960A0	THREAD LEVER SUPPORTING PLATE ASM.		*		1
45	A1453096000	SLIDE PLATE		*		1
46	RE0250000K0	E-RING		*		2
47	A1433096000	SPRING		*		1

NEEDLE BAR, HOOK DRIVING SHAFT AND THREADER COMPONENTS

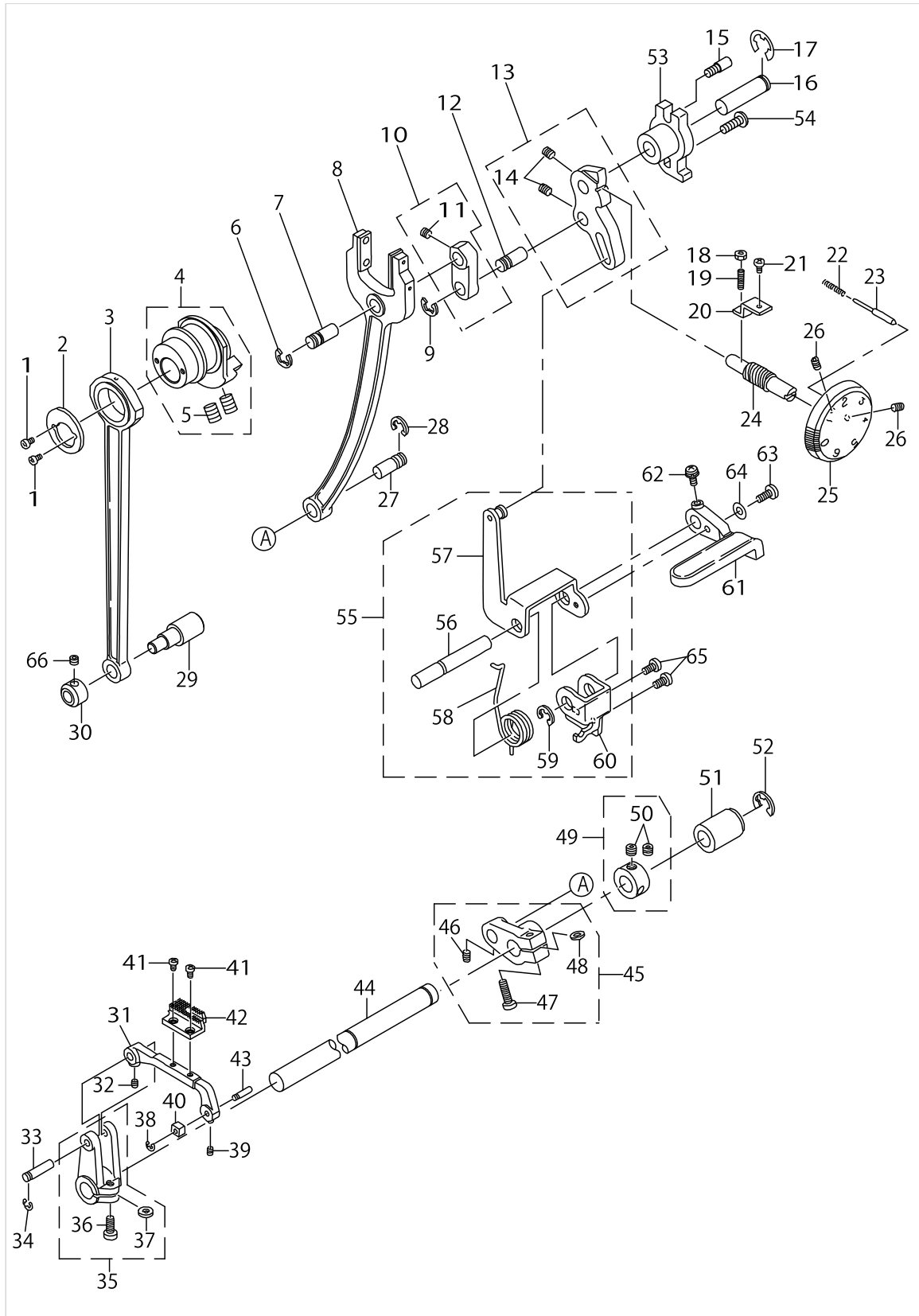


NEEDLE BAR, HOOK DRIVING SHAFT AND THREADER COMPONENTS

No.	Parts No.	Parts name	Remarks	Level	Cons	Qty
48	A1452096000	THREAD GUIDE		*		1
49	SM5030355SN	SCREW		*		1
50	A1419D25000A	NEEDLE BAR THREAD GUIDE		*		1
51	SM5030355SN	SCREW		*		1
52	A1432096000A	THREAD BAR		*		1
53	A1426096000	THREAD OPERATING CYLINDER A		*		1
54	A143209600A	PIN A		*		1
55	A1434096000	SPRING		*		1
56	A143209600C	PIN C		*		1
57	A1451096000	THREADER BAR SUPPORT		*		1
58	A142609600B	THREADER OPERATING CYLINDER B		*		1
59	SM1860601SC	SCREW		*		2
60	A1430096000A	THREAD LEVER		*		1
61	A1805D980A0	HOOK DRIVING SHAFT GEAR ASM.				1
62	SM8050402TP	SCREW		*		2
63	A1440D250A0A	THREADER HOOK HOLDER ASM.				1
64	SL5040631SE	SCREW				1
65	SM4040655SN	SCREW				1
66	WP0850616SP	WASHER A				1
67	WP0700616SP	WASHER B				1
68	A1804007000	HOOK DRIVING SHAFT REAR BUSHING				1
69	SM8050602TP	SCREW				1
70	A1809D98000	PULLY ECCENTRIC SHAFT				1
71	A14130960A0	NEEDLE ROD GUIDE ASM.				1
72	SM8030402TP	SCREW		*		1



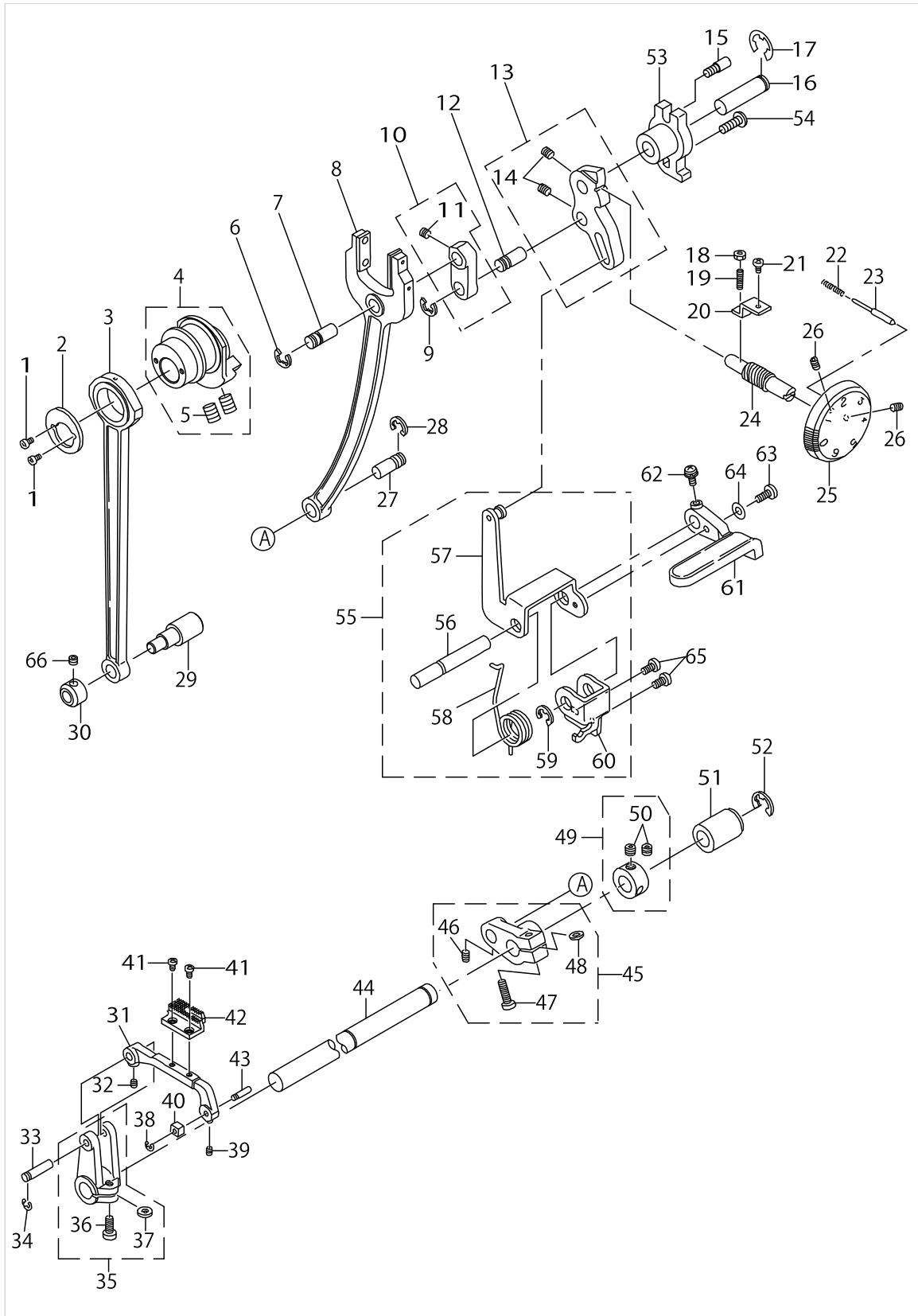
# FEED MECHANISM COMPONENTS



FEED MECHANISM COMPONENTS

No.	Parts No.	Parts name	Remarks	Level	Cons	Qty
1	SM4860655SN	SCREW				2
2	A1208090000	FEED CAM THRUST PLATE				1
3	A1701090000	FEED ROD				1
4	A12070900A0	FEED CAM ASM.				1
5	SM8060802TP	SCREW		*		2
6	RE0600000K0	E-RING				3
7	A1618090000	CONNECTING SHAFT				1
8	A16140900A0	FORKED ROD ASM.				1
9	RE0600000K0	E-RING				1
10	A16190900A0	FORKED LINK ASM.				1
11	SM8050602TP	SCREW		*		1
12	A1618090000	FORKED ROD SHAFT				1
13	A16220900A0	FEED REGULATOR ASM.				1
14	SM8050602TP	SCREW		*		2
15	A1627090000A	ROTATION STOPPER				1
16	A1625090000A	FEED REGULATOR SHAFT				1
17	RE0600000K0	E-RING				1
18	NM6030002SF	NUT				1
19	SM8031400TP	SCREW				1
20	A1653090000	STOPPER				1
21	SM5030655SN	SCREW				1
22	A1148D25000	SPRING				1
23	A1147090000	PIN				1
24	A1652090000	SCREW				1
25	A16470960A0A	FEED DIAL ASM.				1
26	SM8030402TP	SCREW				2
27	A1618090000	FORKED ROD CONNECTING SHAFT				1
28	RE0600000K0	E-RING				1
29	40061235	FEED ROD CONNECTING SHAFT				1
30	073195006000	THRUST COLLAR				1
31	A1602090000	FEED BASE				1
32	SM8030502TP	SCREW				1
33	A1603090000	FEED BASE SHAFT				1
34	RE0300000K0	E-RING				1
35	A16050900A0	FEED SHAFT ARM ASM.				1
36	SM4041055SP	SCREW		*		1
37	WP0430801SD	WASHER		*		1
38	RE0200000K0	E-RING				1
39	SM8030502TP	SCREW				1
40	A1710090000	FEED BASE SQUARE BLOCK				1
41	A1606090000	SCREW				2
42	A1635090000	FEED DOG A				1
43	A1711090000	SQUARE BLOCK SHAFT				1
44	A1601096000	FEED ROD SHAFT				1
45	A16120900A0	FEED ROD ARM ASM.				1
46	SM8040602TP	SCREW		*		1
47	SM5041455SP	SCREW		*		1

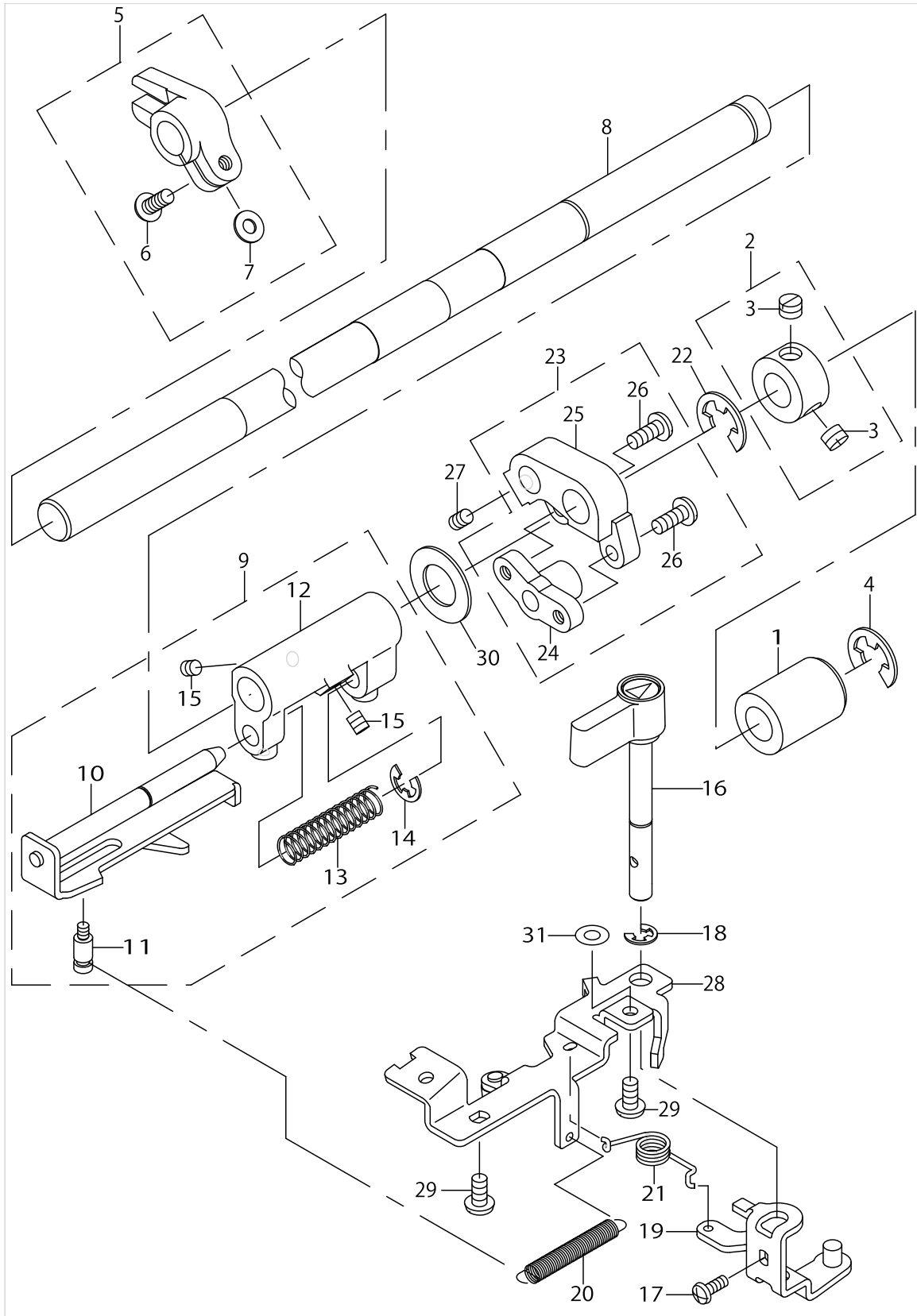
# FEED MECHANISM COMPONENTS



FEED MECHANISM COMPONENTS

No.	Parts No.	Parts name	Remarks	Level	Cons	Qty
48	WP0430801SD	WASHER		*		1
49	A12030080A0	THRUST COLLAR ASM.				1
50	SM8060502TP	SCREW		*		2
51	A1604090000	REAR BUSHING				1
52	RE0800000K0	E-RING				1
53	A1626090000A	FEED REGULATOR SHAFT BUSHING				1
54	SM5041255SN	SCREW				1
55	A16200900B0	FEED REGULATOR LEVER ARM(PARTIAL ASM.)				1
56	A1621090000	FEED REGULATOR LEVER SHAFT		*		1
57	A16200900A0	FEED REGULATOR LEVER ARM ASM.		*		1
58	A1683090000	SPRING		*		1
59	RE0600000K0	E-RING		*		1
60	A1623090000	INSTALLING PLATE		*		1
61	A1628090000A	FEED REGULATOR LEVER				1
62	SL5030831SF	SCREW				1
63	SM5041055SN	SCREW				1
64	WP0430801SC	WASHER				1
65	SM5040855SN	SCREW				2
66	SM8040302TP	SETSCREW				1

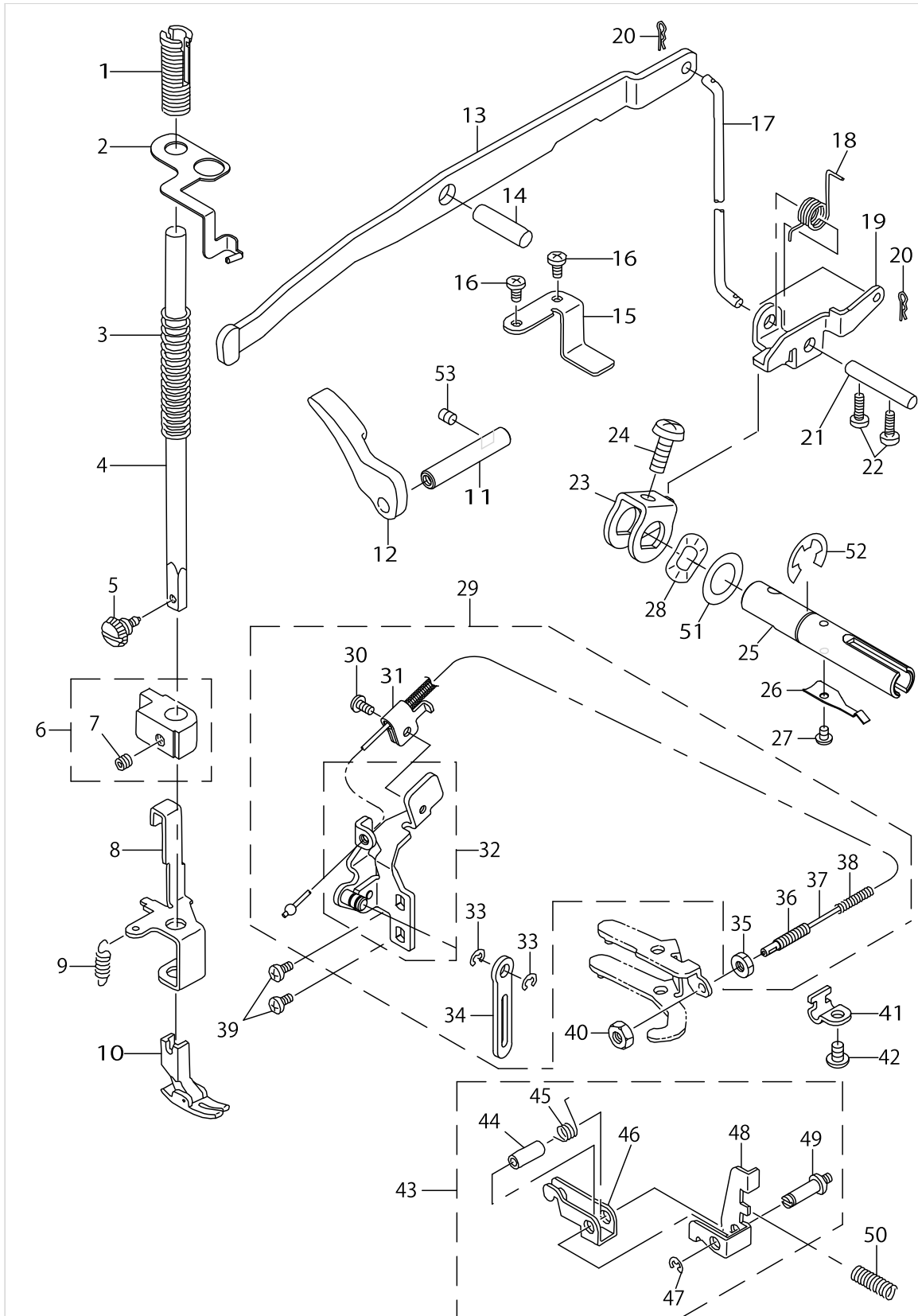
# DROP FEED KNOB COMPONENTS



DROP FEED KNOB COMPONENTS

No.	Parts No.	Parts name	Remarks	Level	Cons	Qty
1	A1604090000	VERTICAL FEED SHAFT REAR METAL				1
2	A12030080A0	THRUST COLLAR ASM.				1
3	SM8060502TP	SCREW		*		2
4	RE0800000K0	E-RING				1
5	A17040900A0	VERTICAL FEED SHAFT ARM ASM.				1
6	SM4041055SP	SCREW		*		1
7	WP0430801SD	WASHER		*		1
8	A1601096000	VERTICAL FEED SHAFT				1
9	A16650960B0A	DROP FEED CHANGE SHAFT PLATE MAS. ASM.				1
10	A16650960A0A	DROP FEED CHANGE SHAFT PLATE ASM.		*		1
11	A1663096000	GUIDE PIN A		*		1
12	A1662096000	GUIDE		*		1
13	A1667096000	SPRING		*		1
14	RE0500000K0	E-RING		*		1
15	SM8040402TP	SCREW		*		2
16	A1674X280A0	DROP FEED KNOB ASM.				1
17	SM5030855SN	SCREW				1
18	RE0400000K0	E-RING				1
19	A16710960A0A	DROP FEED ADJUSTING ARM ASM.				1
20	A1668096000	GUIDE SPRING				1
21	A1673096000	SPRING				1
22	RE0800000K0	E-RING				1
23	40061238	VERTICAL FEED ARM ASM.				1
24	40061236	DROP FEED CONNECTING SHAFT SUP		*		1
25	40061237	VERTICAL FEED ARM		*		1
26	SM3041052TN	SCREW M4 L=10		*		2
27	SM8040602TP	SCREW				1
28	A24460960A0	WIRE INSTALLING PLATE ASM.				1
29	SM5040855SN	SCREW				2
30	WP1000316RZ	WASHER				1
31	WP0430801SD	WASHER M4				1

PRESSER, KNEE LIFTER, WIRE HOLDER AND THREAD RELEASE COMPONENTS

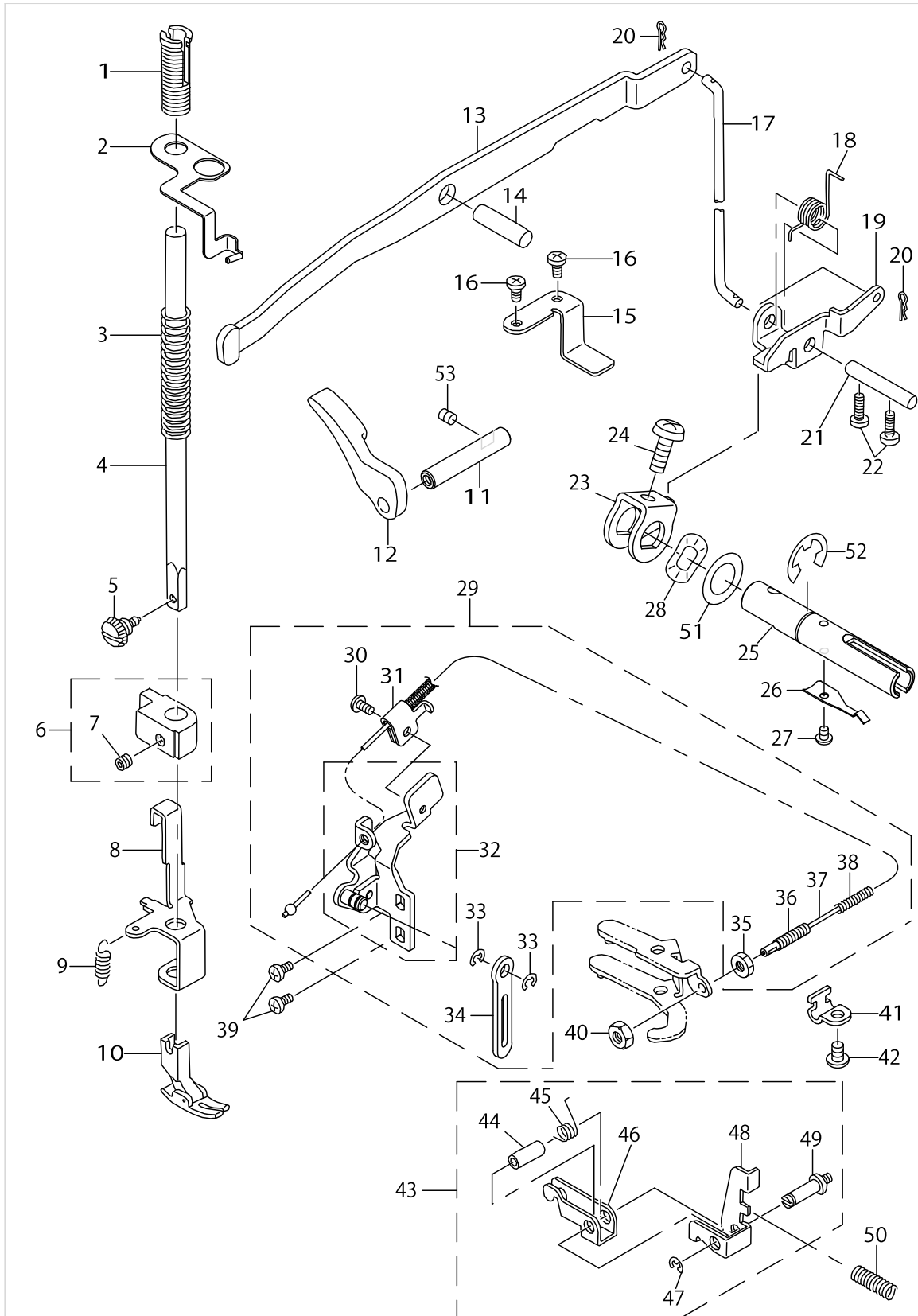


PRESSER, KNEE LIFTER, WIRE HOLDER AND THREAD RELEASE COMPONENTS

No.	Parts No.	Parts name	Remarks	Level	Cons	Qty
1	A1509090000	PRESSER REGULATING SCREW				1
2	A1503D250A0	PRESSURE INDICATOR ASM.				1
3	A1505D25000	PRESSER SPRING				1
4	A1501090000	PRESSER BAR				1
5	A1132025000	SCREW				1
6	A15070960A0	PRESSER BAR CONNECTION ASM.				1
7	SM8060502TP	SCREW		*		1
8	40095165	PRESSER_LEVER				1
9	A1515090000	SPRING				1
10	B15240120A0	STANDARD PRESSER FOOT ASM.				1
11	A1513X28000	LIFTING LEVER SHAFT				1
12	A1512090000	LIFTING LEVER				1
13	40095168	KNEE LIFTER LEVER				1
14	A3407090000	KNEE LIFTER LEVER SHAFT				1
15	A3408090000	STOPPING PLATE				1
16	SM5040855SN	SCREW				2
17	A3413090000	KNEE LIFTER LINK				1
18	A3411090000	SPRING				1
19	A3412X28000	PLATE				1
20	A341309000A	SNAP PIN				2
21	A3410090000	CLAW LEVER SHAFT				1
22	SM5041255SN	SCREW				2
23	40065584	CLAW LEVER ACTUATING PLATE				1
24	SM5051255SN	SCREW				1
25	A3420X28000	KNEE LIFTER LEVER SHAFT				1
26	A3421X28000	SPRING				1
27	SM5030455SF	SCREW				1
28	A3106202000	WASHER				1
29	40095164	ALL_ASSY_WIRE_HOLDER				1
30	SM5030655SN	SCREW		*		1
31	A2449090000	WIRE TUBE HOLDER B		*		1
32	40095162	SUB_ASSY_WIRE_HOLDER		*		1
33	RE0300000K0	E-RING		*		2
34	A2444090000	CONNECTING LINK		*		1
35	NS6620310SP	NUT		*		1
36	D3159555B00	WIRE SET SCREW		*		1
37	A2447090000	WIRE CABLE		*		1
38	A2448090000	WIRE TUBE		*		1
39	SM5040855SN	SCREW				2
40	NS6620310SP	NUT				1
41	A2441096000	WIRE TUBE HOLDER				1
42	SM4040655SN	SCREW				1
43	A15170900A0	THREAD RELEASE PLATE ASM.				1
44	A151709000C	BUSHING		*		1
45	A151709000D	SPRING		*		1
46	A151709000B	THREAD RELEASE PLATE B		*		1
47	RE0300000K0	E-RING		*		1



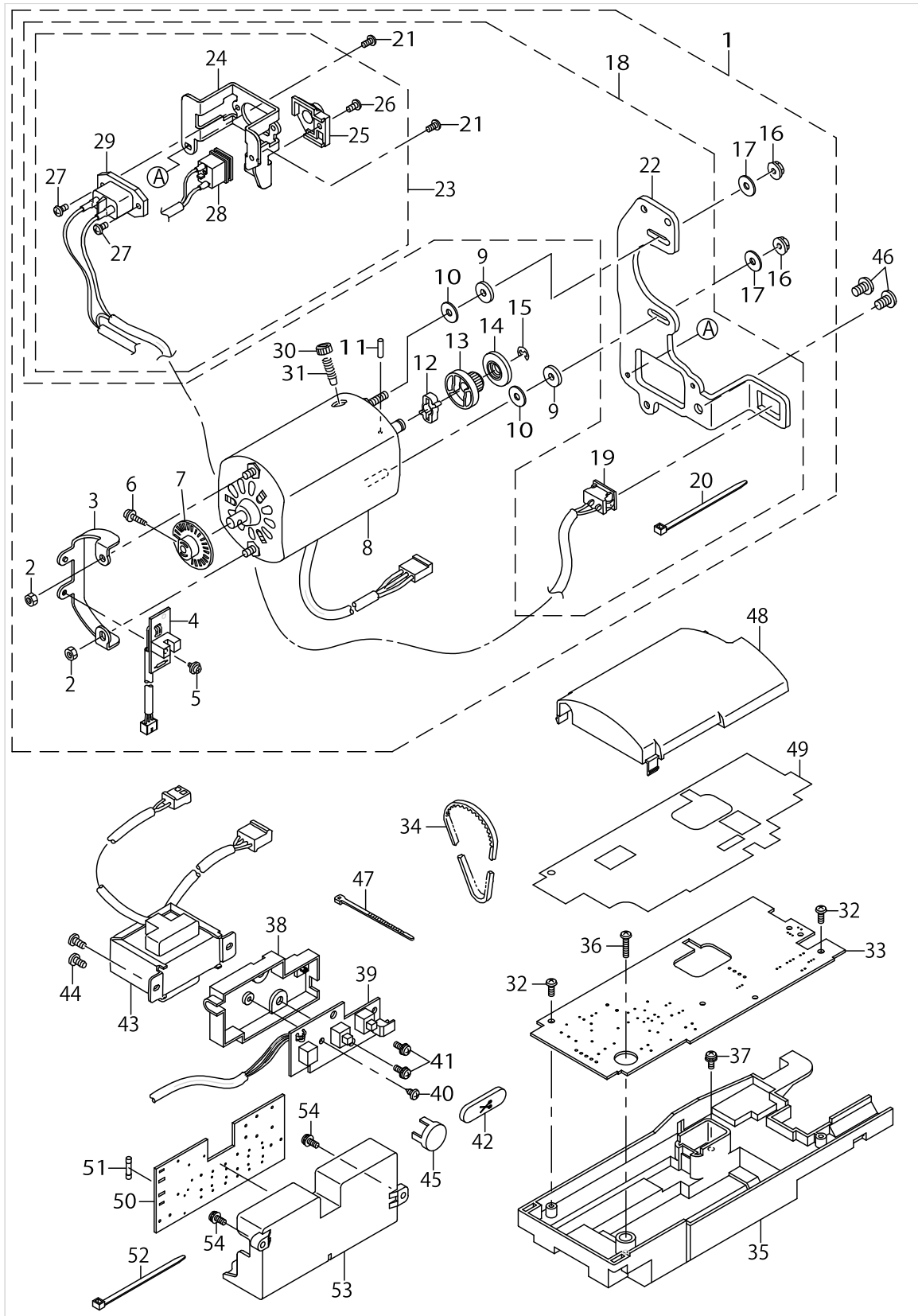
PRESSER, KNEE LIFTER, WIRE HOLDER AND THREAD RELEASE COMPONENTS



PRESSER, KNEE LIFTER, WIRE HOLDER AND THREAD RELEASE COMPONENTS

No.	Parts No.	Parts name	Remarks	Level	Cons	Qty
48	A151709000A	THREAD RELEASE PLATE A		*		1
49	A1518090000	THREAD RELEASE PLATE SHAFT		*		1
50	A1519090000	SPRING				1
51	WP1220516RZ	WASHER 12.2X18X0.5				1
52	RE0900000K0	E-RING 9				1
53	SM8040412TP	SET SCREW M4 L=4				1

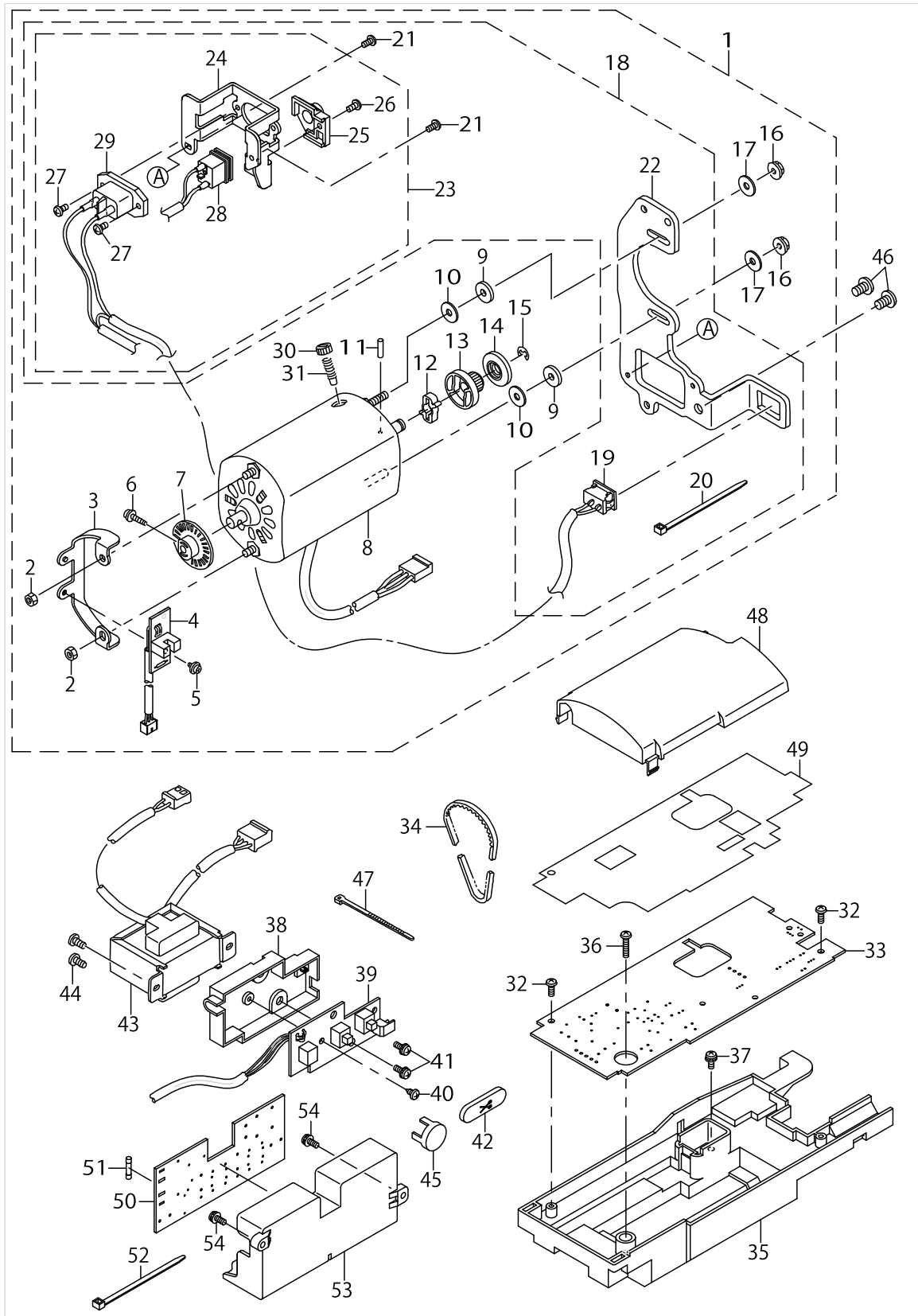
MOTOR AND MAIN CIRCUIT BOARD COMPONENTS



MOTOR AND MAIN CIRCUIT BOARD COMPONENTS

No.	Parts No.	Parts name	Remarks	Level	Cons	Qty
1	40096696	MOTOR_C_ASM.				1
2	NM6040001SC	NUT		*		2
3	A7120096000	MOTOR BOARD INSTALLING BASE		*		1
4	A7122D250A0A	MP DETECTION BOARD ASM.		*		1
5	SL5030531SF	SCREW		*		1
6	SL5031251SP	SCREW		*		1
7	A71210960A0	MP DETECTION BOARD SHUT PLATE ASM.		*		1
8	A7100Q98ZA0A	MOTOR A ASM.		*		1
9	060702001000	SPACER		*		1
10	WP0451016SC	WASHERS		*		1
11	PS0200142KP	MOTOR SHAFT PULLEY PIN		*		1
12	A710000900C	MOTOR RUBBER CUSHION		*		1
13	A7100D9800A	MOTOR SHAFT PULLEY		*		1
14	A7100D9800B	PULLEY FLANGE		*		1
15	RE0400000KR	E-RING		*		1
16	NM3040550SC	NUT		*		2
17	A7113D25000	WASHER		*		1
18	40096694	MOTOR_BRACKET_ASM.		*		1
19	A403201SZ00	POWER SWITCH		*		1
20	A407855000B	CLIP BAND		*		1
21	SM5030655SN	SCREW		*		2
22	A7101090000	MOTOR BRACKET		*		1
23	40096693	INLET_INSTALLING_PLATE_ASM_UL		*		1
24	40096587	INLET_INSTALLING_PLATE		*		1
25	40096588	CONNECTOR_MOUNT		*		1
26	SM5030655SN	SCREW M3X0.5 L=6		*		1
27	SM5030655SN	SCREW M3X0.5 L=6		*		2
28	40096550	ASSY_CONT_SOCKET		*		1
29	40096549	POWER CORD INLET ASM.		*		1
30	A710009000E	BRUSH CAP		*		2
31	A710009000D	CARBON BRUSH		*		2
32	ST5030851SN	SCREW				2
33	40096747	MAIN BOARD ASM.				1
34	A7112090000	MOTOR TIMING BELT				1
35	A4043D25000A	POWER BOARD COVER				1
36	SM5031401SE	SCREW B				1
37	SL5030831SF	SCREW A				1
38	A3225096000	THREADTRIMMERSWITCHBOARDCASE				1
39	A3227D250B0A	THREAD TRIMMER SWITCHBOARD ASM.				1
40	ST5030551SR	SCREW				1
41	SL5030831SF	SCREW				2
42	A3228D25000	THREAD TRIMMER SWITCH BUTTON				1
43	A4505Q98ZA0A	POWER TRANSFORMER ASM.				1
44	SM5040855SN	SCREW				2
45	A4011096000A	HALF STITCH SWITCH BUTTON				1
46	SM5050855SN	SCREW				2
47	A407855000B	MAIN BOARD CLIP BAND				4

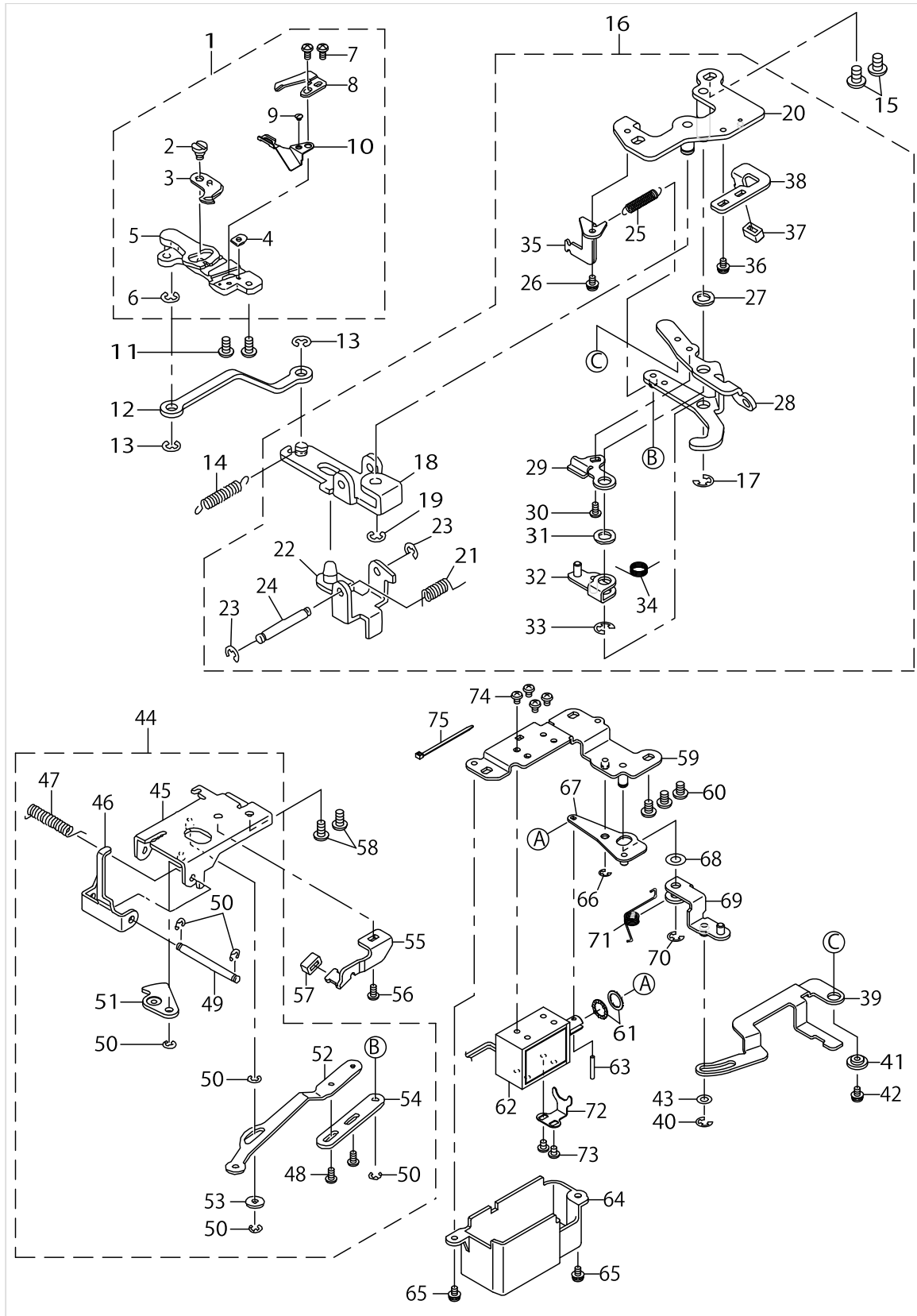
MOTOR AND MAIN CIRCUIT BOARD COMPONENTS



MOTOR AND MAIN CIRCUIT BOARD COMPONENTS

No.	Parts No.	Parts name	Remarks	Level	Cons	Qty
48	A4042D25000	CASE COVER				1
49	A4044D25000A	MAIN BOARD INSULATION SEAT				1
50	A4035Q98ZA0A	FILTER BOARD ASM.				1
51	HF0059050P0	FUSE				1
52	A407855000B	FILTER BOARD CLIP BAND				1
53	A4016D25000	FILTER BOARD COVER				1
54	SL5030851SN	SCREW				1

MOVING KNIFE, LOOPER AND THREAD TRIMMER SOLENOID COMPONENTS

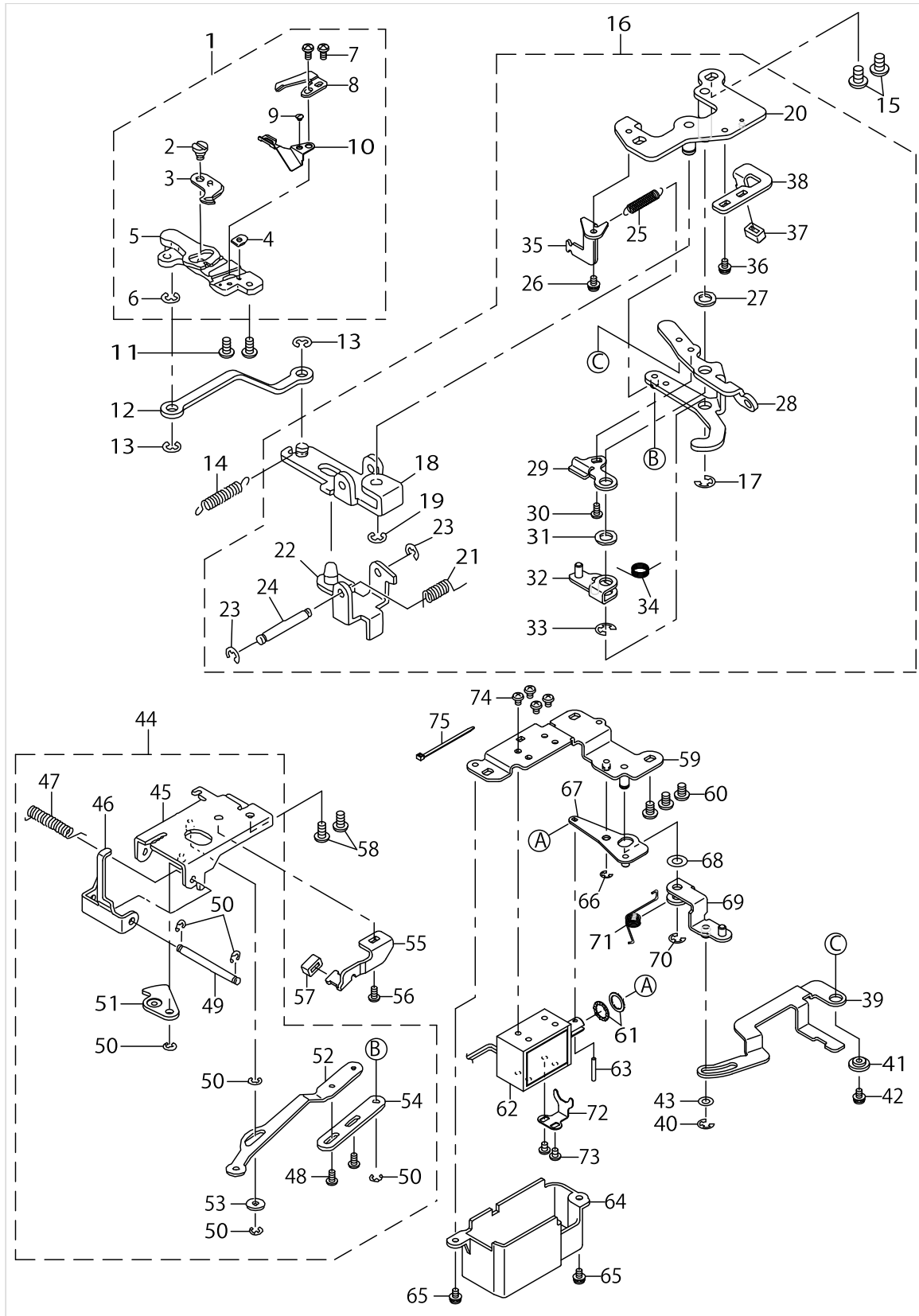


MOVING KNIFE, LOOPER AND THREAD TRIMMER SOLENOID COMPONENTS

No.	Parts No.	Parts name	Remarks	Level	Cons	Qty
1	A18720900B0B	MOVING KNIFE BASE MAS. ASM.				1
2	A1873090000	SCREW		*		1
3	11040003	MOVING KNIFE		*		1
4	D2404555B00	COUNTER KNIFE MOUNTING PLATE		*		1
5	A18720900A0	MOVING KNIFE BASE ASM.		*		1
6	RE0400000K0	E-RING		*		1
7	SM5030655SN	SCREW		*		2
8	D2406555D0H	COUNTER KNIFE		*		1
9	SS2060210SP	SCREW		*		1
10	A1890090000B	KNIFE THREAD GUIDE		*		10
11	SM4040855SP	SCREW				2
12	A1882D25000	MOVING KNIFE LINK				1
13	RE0400000K0	E-RING				2
14	A1869090000	MOVING KNIFE ARM SPRING				1
15	SM4050855SP	SCREW				2
16	A1870D250C0A	MOVING KNIFE INSTALLING PLATE MAS. ASM.				1
17	RE0500000K0	E-RING		*		1
18	A18760900A0	MOVING KNIFE ARM ASM.		*		1
19	RE0500000K0	E-RING		*		1
20	A1870D250A0A	MOVING KNIFE INSTALLING PLATE ASM.		*		1
21	A1881090000	SPRING		*		1
22	A18780900A0A	MOVING KNIFE ROLLER ARM ASM.		*		1
23	RE0400000K0	E-RING		*		2
24	A1880090000	ROLLER ARM SHAFT		*		1
25	A3130700000	SPRING		*		1
26	SL5030631SS	SCREW		*		1
27	A172809000A	WASHER		*		1
28	A1727D250A0A	LOOPER LINK ARM ASM.		*		1
29	A1726D25000A	LINK ARM FIXING PLATE		*		1
30	SM5030631SF	SCREW		*		1
31	A172809000A	WASHER		*		1
32	A1724D250A0	LINK ARM SUPPORT PLATE ASM.		*		1
33	RE05000000K0	E-RING		*		1
34	A1733D25000	SPRING		*		1
35	A1729D25000	LOOPER LINK ARM SPRING RACK		*		1
36	SL5030631SF	SCREW		*		1
37	A1735D25A00	STOPPER RUBBER		*		1
38	A1735D25000	LOOPER LINK ARM STOPPER PLATE		*		1
39	A1723D25000	THREAD TRIMMER SOLENOID LINK A				1
40	RE0400000K0	E-RING				1
41	A2435033000	COLLAR				1
42	SL5030655SF	SCREW				1
43	A31099DC000	WASHER				1
44	A1705D980B0A	LOOPER MAS. ASM.				1
45	A17060900A0A	LOOPER INSTALLING ARM ASM.		*		1
46	A1705D98000	LOOPER		*		1
47	A1708090000	LOOPER SPRING		*		1



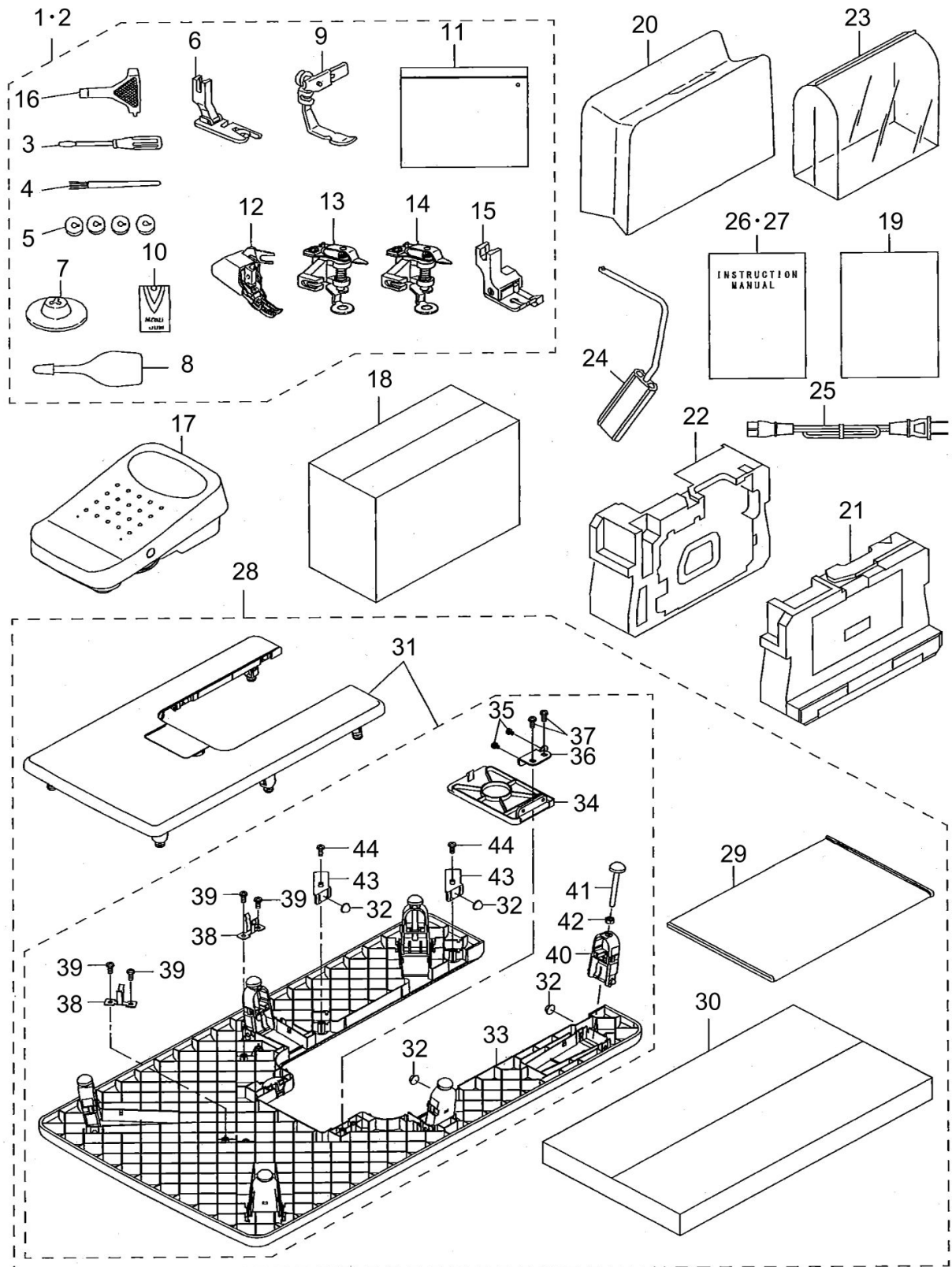
MOVING KNIFE, LOOPER AND THREAD TRIMMER SOLENOID COMPONENTS



MOVING KNIFE, LOOPER AND THREAD TRIMMER SOLENOID COMPONENTS

No.	Parts No.	Parts name	Remarks	Level	Cons	Qty
48	SM5030655SN	SCREW		*		2
49	A1707090000	LOOPER SHAFT		*		1
50	RE0300000K0	E-RING		*		6
51	A17120900A0	LOOPER CAM ASM.		*		1
52	A173009000A	LOOPER LINK A		*		1
53	WP0450816SC	WASHER		*		1
54	A173009000B	LOOPER LINK B		*		1
55	A1732D25000	LOOPER STOPPER PLATE				1
56	SM5030655SN	SCREW				1
57	A1735D25A00	STOPPER RUBBER				1
58	SM5040855SN	SCREW				2
59	40077579	SOLENOID_INSTALLING_BASE_ASM.				1
60	SM50406055SN	SCREW				3
61	A2470T70000	CUSHION RUBBER				1
62	A2400D250A0A	THREAD TRIMMER SOLENOID ASM.				1
63	PS0200142KP	PIN				1
64	A2401D25000	SOLENOID COVER				1
65	SL5030655SF	SCREW				2
66	RE0300000K0	E-RING				1
67	A2470D250A0	OPERATING LINK				1
68	WP0530516RZ	WASHER				1
69	A2464D250A0	AUXILIARY LINK ASM.				1
70	RE0400000K0	E-RING				1
71	A2467D25000	SPRING				1
72	A2469T70000	SOLENOID STOPPER				1
73	SM5030355SN	SCREW				2
74	SM5030401SN	SCREW				4
75	A407855000B	CABLE BAND				1

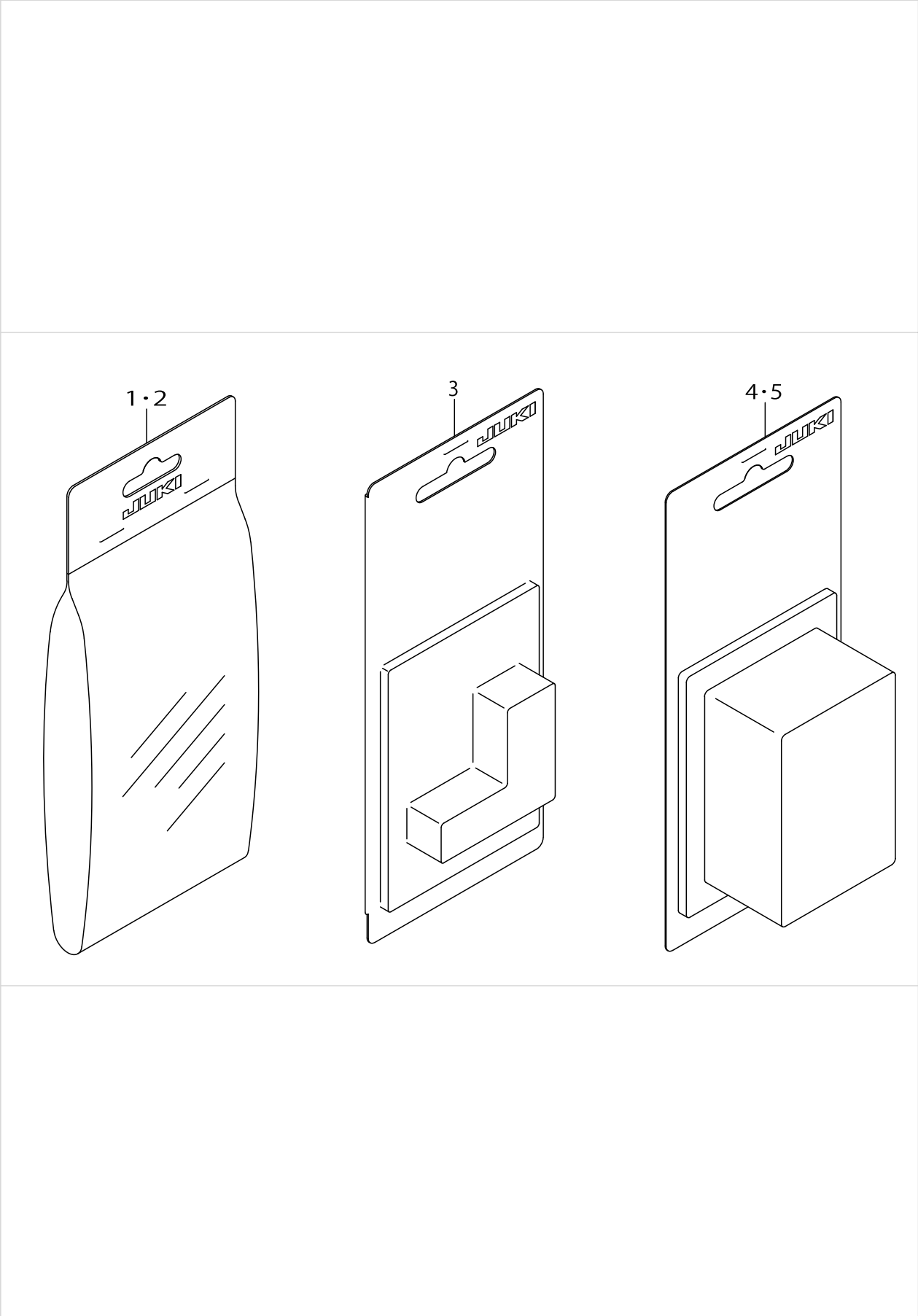
ACCESSORIES AND PACKING COMPONENTS



ACCESSORIES AND PACKING COMPONENTS

No.	Parts No.	Parts name	Remarks	Level	Cons	Qty
1	A9121Q98ZA0A	ACCESSORY BAG ASM.				1
2	40098277	ACCESSORY BAG ASM.				1
3	A9103102000	SCREWDRIVER(MEDIUM)		*		1
4	A9137956000	CLEANING BRUSH		*		1
5	A9117007000	BOBBIN		*		4
6	A9104090000	HEMMER	FOR TL-2010Q	*		1
7	A1150090000	SPOOL CAP		*		1
8	A9102062BA0	OILER		*		1
9	A9133090000	ZIPPER FOOT	FOR TL-2010Q	*		1
10	MHA1M111422	NEEDLE(HAX1 #11 #14)		*		1
11	B9101552000	ACCESSORY BOX		*		1
12	A9150E98ZA0A	UPPER FEED ATTACHMENT ASM.		*		1
13	A5133E98BB0A	1/4 QUILTING FOOT	FOR TL-2010Q	*		1
14	A5133E98AB0A	1/5 QUILTING FOOT		*		1
15	A5140E98ZA0	COMPENSATING FOOT ASM.		*		1
16	A9110700000	SCREWDRIVER		*		1
17	40097804	FOOT_CONTROLLER_ASM. (FOR_ABROAD)				1
18	40096731	CARTON_CASE_TL_FOREIGN				1
19	40075482	WARRANTY_CARD(JUKI_AMERICA)				1
20	A8401D25000	MAIN BODY CASE				1
21	40098221	FRONT STYROFOAM				1
22	40096976	REAR_STYROFOAM				1
23	J0231082A0B	HEAD VINIL SHEET				1
24	A3425X280A0	KNEE PAD ASM.				1
25	A6071776ZA0A	POWER CORD SET ASM. (UL)				1
26	40096730	INSTRUCTION_MANUAL_TL2010Q	FOR TL-2010Q			1
27	40099412	INSTRUCTION_MANUAL_TL2000QI	FOR TL-2000Qi			1
28	40098601	AUXILIARY_TABLE_SET				1
29	A9404090000	AUXILIARY TABLE POLYETHYLENE BAG		*		1
30	40098890	FOLDER_TYPE_BOX_ASM.		*		1
31	40098602	AUXILIARY_TABLE_ASM.		*		1
32	A9503E50000	TABLE NON-SLIP		*		4
33	40098308	AUXILIARY_TABLE		*		1
34	A8508D98000	BOBBIN LID		*		1
35	SL5030635SN	SCREW M3 L=6		*		2
36	A8509D98000	LID INSTALLING PLATE		*		1
37	ST5041051SR	TAPPING SCREW D=4 L=10		*		2
38	A8504090000	KNEE PAD RETAINER		*		2
39	ST5041051SR	TAPPING SCREW D=4 L=10		*		4
40	40098311	TABLE_LEG		*		6
41	A9505E50000	SCREW		*		6
42	NM6050002SS	NUT M5		*		6
43	40098312	TABLE_STOPPER_PLATE		*		2
44	ST5041051SR	TAPPING SCREW D=4 L=10		*		2

SEPARATELY-SOLD COMPONENTS



SEPARATELY-SOLD COMPONENTS

No.	Parts No.	Parts name	Remarks	Level	Cons	Qty
1	A9839090AA0	NEEDLE PLATE(FOR THIN MATERIALS)				1
2	A9839090BA0	NEEDLE PLATE(FOR THICK MATERIALS)				1
3	A98130960A0A	PRESSER FOOT FOR THIN MATERIALS ASM.				1
4	A9811E98AA0A	1/5 QUILTING FOOT				1
5	A9811E98BA0A	1/4 QUILTING FOOT				1

## HOW TO MAKE USE OF THIS PARTS LIST

- 1.As to "#01" and "#02" refer to the "Note" given at the bottom of the respective pages.
- 2.Codes on the "Qty" column
  - Each numeral indicates the number of parts required.
  - "0.1" and "2.5" indicate the length (in meters) of the respective parts.
- 3.Parentheses mean that the corresponding part is a subpart that constructs an assembly part.
- 4.Dotted lines on the Figures indicate assembly parts.

NUMERICAL INDEX OF PARTS

PART NO	PAGE	REF NO.	PART NO	PAGE	REF NO.	PART NO	PAGE	REF NO.
060702001000	26	9	A1109E98Z00	2	8	A1210D25000	10	23
073195006000	16	30	A1109E98ZB0	2	7	A1219907000	10	9
11040003	30	3	A1109E98ZC0	2	6	A1225090000	10	29
40061235	16	29	A1110D980A0	2	11	A1226D98000	10	24
40061236	20	24	A1112090000	2	9	A1227D98000	10	26
40061237	20	25	A1112D98000	2	12	A1228090000A	10	34
40061238	20	23	A1113E98ZA0	2	13	A1229090000	10	33
40065584	22	23	A1116D25000	4	69	A1230500000A	10	35
40068115	6	3	A1116D250A0	4	67	A1232090000A	10	30
40075482	34	19	A1118E98Z00	2	15	A1244096000	10	31
40077579	32	59	A1120202000	2	2	A1248096000	10	32
40080974	12	30	A1120313000	4	71	A1401096000A	12	6
40082787	4	58	A1121090000	2	3	A14010960B0A	12	5
40095162	22	32	A1121313000	4	70	A1402090000	12	2
40095164	22	29	A1126X28000	6	42	A1402096000A	12	11
40095165	22	8	A1127X28000	6	41	A1403090000	12	12
40095168	22	13	A1128096000	6	12	A1404072000	12	1
40096549	26	29	A1128X280A0	6	45	A1408090000	10	7
40096550	26	28	A1128X280B0	6	40	A14110900A0	12	3
40096551	8	70	A1130X28000	6	46	A14130960A0	14	71
40096587	26	24	A1132025000	22	5	A141609600AA	12	7
40096588	26	25	A11340900A0	6	29	A14160960A0	12	9
40096593	8	71	A11360900AA	6	9	A1417096000	12	10
40096594	8	68	A11360900AB	6	36	A1419D25000A	14	50
40096595	8	67	A1137090000	6	14	A1420001000	12	8
40096632	6	1·2	A113809000A	6	10	A1426096000	14	53
40096633	6	1·2	A113809000B	6	37	A142609600B	14	58
40096691	2	17·46	A1138500000A	6	15	A1430096000A	14	60
40096693	26	23	A1147090000	16	23	A14310960A0	12	44
40096694	26	18	A1148D25000	16	22	A1432096000A	14	52
40096696	26	1	A1150090000	34	7	A143209600A	14	54
40096730	34	26·27	A116009000A	4	49	A143209600C	14	56
40096731	34	18	A1160E98ZA0	4	48	A1433096000	12	47
40096747	26	33	A1160E98ZB0	2	47	A1434096000	14	55
40096976	34	22	A1161090000	4	50	A1440D250A0A	14	63
40097804	34	17	A1201D980A0	10	16	A1450096000	12	43
40098221	34	21	A1202090000	10	18	A1450D250A0	12	42
40098277	34	1·2	A1203007000	10	19	A1450D250B0	12	39
40098308	34	33	A12030080A0	18	49	A1451096000	14	57
40098311	34	40	A12030080A0	20	2	A1452096000	14	48
40098312	34	43	A1204090000	10	27	A1453096000	12	45
40098601	34	28	A12050900A0	10	21	A1501090000	22	4
40098602	34	31	A12070900A0	16	4	A1502090000	6	38
40098890	34	30	A1208090000	16	2	A150209000A	6	6
40099412	34	26·27	A1209072000	10	8	A150209000B	6	5



# NUMERICAL INDEX OF PARTS

PART NO	PAGE	REF NO.	PART NO	PAGE	REF NO.	PART NO	PAGE	REF NO.
A150209000C	6	39	A1668096000	20	20	A18760900A0	30	18
A1503D250A0	22	2	A16710960A0A	20	19	A18780900A0A	30	22
A1505D25000	22	3	A1673096000	20	21	A1880090000	30	24
A15070960A0	22	6	A1674X280A0	20	16	A1881090000	30	21
A1509090000	22	1	A1683090000	18	58	A1882D25000	30	12
A1512090000	22	12	A1701090000	16	3	A1890090000B	30	10
A1513X28000	22	11	A17040900A0	20	5	A18910960A0	12	33
A1515090000	22	9	A1705D98000	30	46	A19010900A0	10	5
A151709000A	24	48	A1705D980B0A	30	44	A19010900B0	10	3
A151709000B	22	46	A17060900A0A	30	45	A19010900C0	10	1
A151709000C	22	44	A1707090000	32	49	A1902090000	10	2
A151709000D	22	45	A1708090000	30	47	A19040900A0	10	4
A15170900A0	22	43	A1710090000	16	40	A2400D250A0A	32	62
A1518090000	24	49	A1711090000	16	43	A2401D25000	32	64
A1519090000	24	50	A17120900A0	32	51	A24020900A0B	12	37
A1601096000	16	44	A1723D25000	30	39	A2435033000	2	30
A1601096000	20	8	A1724D250A0	30	32	A2435033000	30	41
A1602090000	16	31	A1726D25000A	30	29	A2441096000	22	41
A1603090000	16	33	A1727D250A0A	30	28	A2444090000	22	34
A1604090000	18	51	A172809000A	30	31	A24460960A0	20	28
A1604090000	20	1	A1729D25000	30	35	A2447090000	22	37
A16050900A0	16	35	A173009000A	32	52	A2448090000	22	38
A1606090000	16	41	A173009000B	32	54	A2449090000	22	31
A16120900A0	16	45	A1732D25000	32	55	A2461D25000	12	35
A16140900A0	16	8	A1733D25000	30	34	A2462D25000	12	26
A1618090000	16	27	A1735D25000	30	38	A2464D250A0	32	69
A16190900A0	16	10	A1735D25A00	30	57	A2467D25000	32	71
A16200900A0	18	57	A1735D25A00	32	57	A2469T70000	32	72
A16200900B0	18	55	A1801D98000	12	29	A2470D250A0	32	67
A1621090000	18	56	A1802007000	12	27	A2470T70000	32	61
A16220900A0	16	13	A1804007000	14	68	A3106202000	22	28
A1623090000	18	60	A1805D980A0	14	61	A31099DC000	30	43
A1625090000A	16	16	A180909600A	12	31	A3111D98000	2	35
A1626090000A	18	53	A1809D98000	14	70	A311209000AA	2	37
A1627090000A	16	15	A1830D250AA	12	24	A3114D25000	2	20
A1628090000A	18	61	A18350900A0B	12	17	A3115D25000	8	53
A1635090000	16	42	A1835090A00A	12	18	A3116Q98Z00	8	54
A16470960A0A	16	25	A183770000A	12	21	A3117090000	8	55
A1652090000	16	24	A1837D250AB	12	22	A31180900A0	8	59
A1653090000	16	20	A1869090000	30	14	A3119096000	8	57
A1662096000	20	12	A1870D250A0A	30	20	A3120D250A0	8	63
A1663096000	20	11	A1870D250C0A	30	16	A3122D250A0A	2	36
A16650960A0A	20	10	A18720900A0	30	5	A3123D25000	8	65
A16650960B0A	20	9	A18720900B0B	30	1	A3124096A00	2	45
A1667096000	20	13	A1873090000	30	2	A3124D25000	2	43

## NUMERICAL INDEX OF PARTS

PART NO	PAGE	REF NO.	PART NO	PAGE	REF NO.	PART NO	PAGE	REF NO.
A3127090000B	2	38	A4044D25000A	28	49	A9103102000	34	3
A3128098000	2	33	A407855000B	4	62	A9104090000	34	6
A3130700000	30	25	A407855000B	8	52	A9110700000	34	16
A3132D98000	2	40	A407855000B	26	52	A9117007000	12	23
A3133D98000	2	41	A407855000B	28	52	A9117007000	34	5
A3135096000	2	22	A407855000B	32	75	A9121Q98ZA0A	34	1·2
A3151535000	8	62	A4502E98Z00	4	64	A9133090000	34	9
A3189030Z00	6	44	A4505Q98ZA0A	26	43	A9137956000	34	4
A3190030Z00	6	43	A4508X280A0A	4	55	A9150E98ZA0A	34	12
A32040900A0	6	21	A4509X28000	4	52	A9404090000	34	29
A3205090000	6	23	A4510X28000	4	54	A9503E50000	34	32
A3206030000	2	29	A4510X280A0	4	53	A9505E50000	34	41
A3208X28000	6	22	A4519X280A0	4	51	A9811E98AA0A	36	4·5
A321600100A	6	24	A5000096000	2	27	A9811E98BA0A	36	4·5
A3217072000	6	30	A50000960A0	2	26	A98130960A0A	36	3
A3218096000	6	32	A5001090000	2	25	A9839090AA0	36	1·2
A32190960A0	6	33	A5002096000	2	28	A9839090BA0	36	1·2
A3221096000	6	18	A5133E98AB0A	34	14	B15240120A0	22	10
A3222090000	6	35	A5133E98BB0A	34	13	B1806038000	12	28
A3225096000	26	38	A5140E98ZA0	34	15	B3120125000	2	44
A32260960A0A	6	19	A6071776ZA0A	34	25	B3126012000	2	39
A3227D250B0A	26	39	A710000900C	26	12	B3129012A00	2	42
A3228D25000	26	42	A710009000D	26	31	B9101552000	34	11
A32319570A0	6	7	A710009000E	26	30	D2404555B00	30	4
A3235096000	6	25	A7100D9800A	26	13	D2406555D0H	30	8
A3236096000	6	26	A7100D9800B	26	14	D3159555B00	22	36
A3407090000	22	14	A7100Q98ZA0A	26	8	HF0059050P0	28	51
A3408090000	22	15	A7101090000	26	22	J0231082A0B	34	23
A3410090000	22	21	A7103H25000	2	17·46	MHA100B1400	12	14
A3411090000	22	18	A7105D25000	2	4	MHA1M111422	34	10
A3412X28000	22	19	A7110090000	10	25	NM3040550SC	26	16
A3413090000	22	17	A7112090000	26	34	NM6030002SF	16	18
A341309000A	22	20	A7113D25000	26	17	NM6040001SC	26	2
A3420X28000	22	25	A7120096000	26	3	NM6050002SS	34	42
A3421X28000	22	26	A71210960A0	26	7	NS6620310SP	22	40
A3425X280A0	34	24	A7122D250A0A	26	4	PH0200062C0	12	41
A3805096000	8	51	A72010900A0	10	14	PS0200142KP	26	11
A3805Q98ZA0	8	50	A72010900B0	10	10	PS0200142KP	32	63
A3811550000	4	59	A72030900A0	10	12	RE0200000K0	16	38
A4011096000A	26	45	A7204090000A	10	13	RE0250000K0	12	46
A4016D25000	28	53	A8401D25000	34	20	RE0300000K0	2	16
A403201SZ00	26	19	A8504090000	34	38	RE0300000K0	16	34
A4035Q98ZA0A	28	50	A8508D98000	34	34	RE0300000K0	22	47
A4042D25000	28	48	A8509D98000	34	36	RE0300000K0	32	66
A4043D25000A	26	35	A9102062BA0	34	8	RE0400000K0	20	18

# NUMERICAL INDEX OF PARTS

PART NO	PAGE	REF NO.	PART NO	PAGE	REF NO.	PART NO	PAGE	REF NO.
RE0400000K0	30	70	SM4050855SP	30	15	SM8030402TP	16	26
RE0400000K0	32	70	SM4831001SF	6	28	SM8030502TP	16	39
RE0400000KR	26	15	SM4860655SN	16	1	SM8031400TP	16	19
RE05000000K0	30	33	SM5020301SC	6	47	SM8040302TP	18	66
RE0500000K0	20	14	SM5030355SN	14	51	SM8040402TP	12	36
RE0500000K0	30	19	SM5030355SN	32	73	SM8040402TP	20	15
RE0600000K0	10	11	SM5030401SN	32	74	SM8040412TP	24	53
RE0600000K0	12	16	SM5030455SF	8	72	SM8040602TP	2	19
RE0600000K0	16	59	SM5030455SF	22	27	SM8040602TP	12	15
RE0600000K0	18	59	SM5030501SC	8	66	SM8040602TP	16	46
RE0800000K0	18	52	SM5030631SF	30	30	SM8040602TP	20	27
RE0800000K0	20	22	SM5030655SN	2	32	SM8050402TP	12	62
RE0900000K0	24	52	SM5030655SN	6	64	SM8050402TP	14	62
RE1000000K0	10	28	SM5030655SN	8	64	SM8050602TP	10	36
SL5030531SF	26	5	SM5030655SN	12	40	SM8050602TP	12	69
SL5030631SF	30	36	SM5030655SN	16	21	SM8050602TP	14	69
SL5030631SS	30	26	SM5030655SN	22	30	SM8050602TP	16	14
SL5030635SN	2	31	SM5030655SN	26	27	SM8060502TP	10	22
SL5030635SN	6	27	SM5030655SN	30	56	SM8060502TP	18	50
SL5030635SN	34	35	SM5030655SN	32	56	SM8060502TP	20	3
SL5030655SF	30	65	SM5030855SN	20	17	SM8060502TP	22	7
SL5030655SF	32	65	SM5031401SE	26	36	SM8060510SP	12	4
SL5030801SN	2	34	SM5040601SE	4	65	SM8060802TP	16	5
SL5030801SN	6	31	SM50406055SN	32	60	SS2060210SP	30	9
SL5030831SF	2	24	SM5040655SN	4	63	SS6110560TP	12	25
SL5030831SF	18	62	SM5040655SN	6	16	ST4861051SN	4	68
SL5030831SF	26	41	SM5040855SN	10	15	ST5030551SR	26	40
SL5030851SN	28	54	SM5040855SN	12	20	ST5030851SN	4	57
SL5031031SE	6	20	SM5040855SN	18	65	ST5030851SN	26	32
SL5031251SP	26	6	SM5040855SN	20	29	ST5041051SR	34	44
SL5040631SE	8	61	SM5040855SN	22	39	WP0250501SC	6	4
SL5040631SE	14	64	SM5040855SN	26	44	WP0430801SC	18	64
SM1040800SL	2	18	SM5040855SN	32	58	WP0430801SD	16	48
SM1860601SC	14	59	SM5041055SN	4	66	WP0430801SD	18	48
SM3041052TN	20	26	SM5041055SN	18	63	WP0430801SD	20	31
SM4020201SC	2	14	SM5041255SN	2	5	WP0450816SC	32	53
SM4020301SC	4	56	SM5041255SN	18	54	WP0451016SC	26	10
SM4020301SN	12	19	SM5041255SN	22	22	WP0530516RZ	32	68
SM4040655SN	14	65	SM5041455SP	16	47	WP0620316RZ	10	6
SM4040655SN	22	42	SM5042005SN	8	49	WP0700616SP	14	67
SM4040855SP	2	23	SM5050855SN	26	46	WP0850616SP	14	66
SM4040855SP	30	11	SM5051255SN	2	72	WP1000316RZ	20	30
SM4041055SF	6	34	SM5051255SN	4	72	WP1220516RZ	24	51
SM4041055SP	16	36	SM5051255SN	22	24			
SM4041055SP	20	6	SM8030402TP	14	72			