

MODEL : HZL-Fseries /QM Series
List No : 6016-08

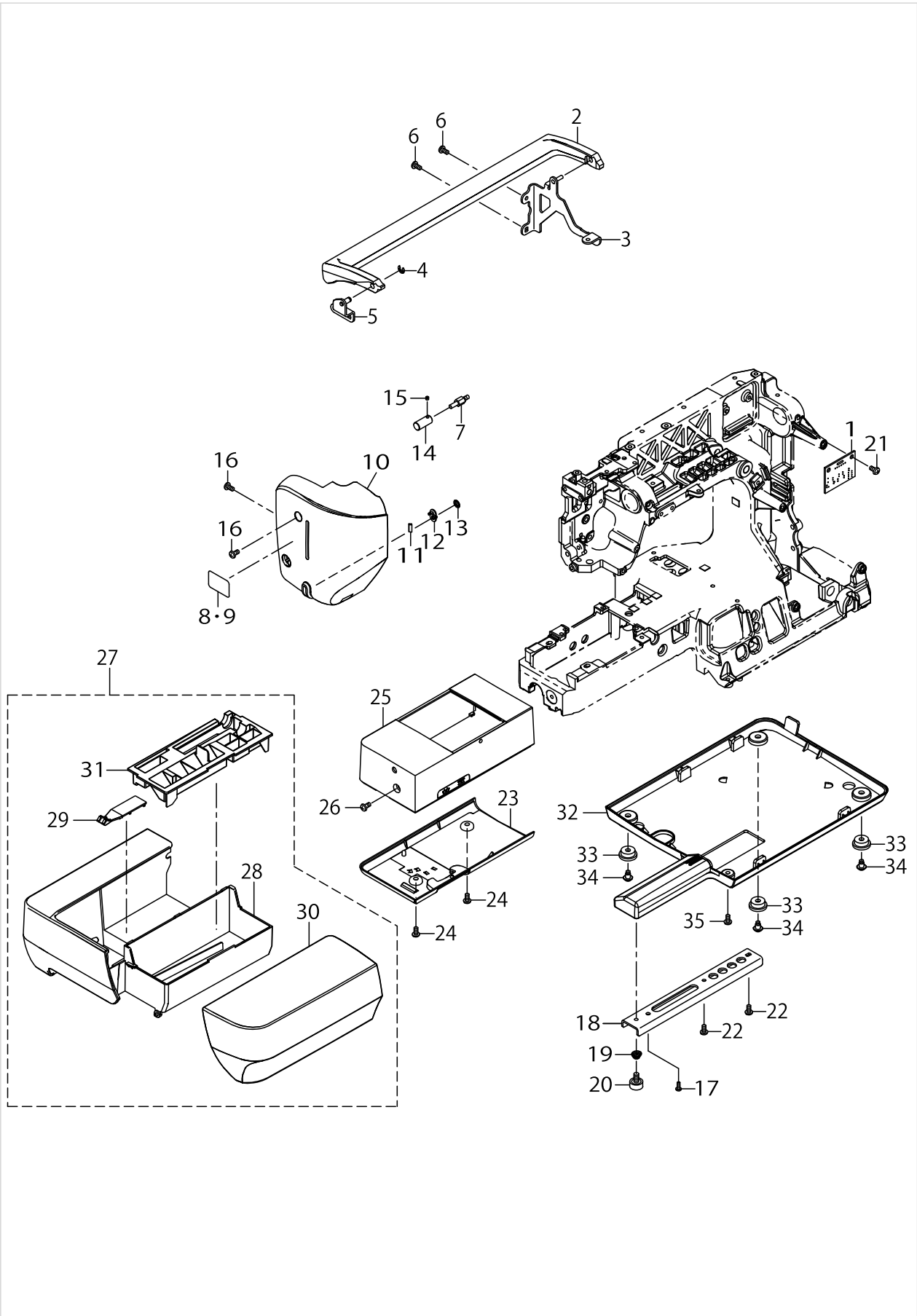
PARTS LIST

Published:09/14/2017

CONTENTS

FRAME MISCELLANEOUS COVER COMPONENTS (1).....	1
FRAME MISCELLANEOUS COVER COMPONENTS (2).....	3
THROAT PLATE COMPONENTS.....	7
UPPER SHAFT & TAKE UP COMPONENTS.....	9
NEEDLE BAR & NEEDLE THREADER COMPONENTS.....	11
PRESSER MECHANISM & NEEDLE THROWING COMPONENTS.....	15
FEED MECHANISM COMPONENTS.....	19
LOWER SHAFT & HOOK COMPONENTS.....	25
THREAD TRIMMER COMPONENTS.....	29
THREAD TENSION COMPONENTS.....	33
BOBBIN WINDER COMPONENTS.....	37
KNEE LIFTER COMPONENTS.....	39
POWER SUPPLY & MAIN MOTOR COMPONENTS.....	41
ACCESSORY PARTS COMPONENTS.....	43
PACKING MATERIAL COMPONENTS.....	47
OPTIONAL ACCESSORY PARTS COMPONENTS.....	49
HOW TO MAKE USE OF THIS PARTS LIST.....	51

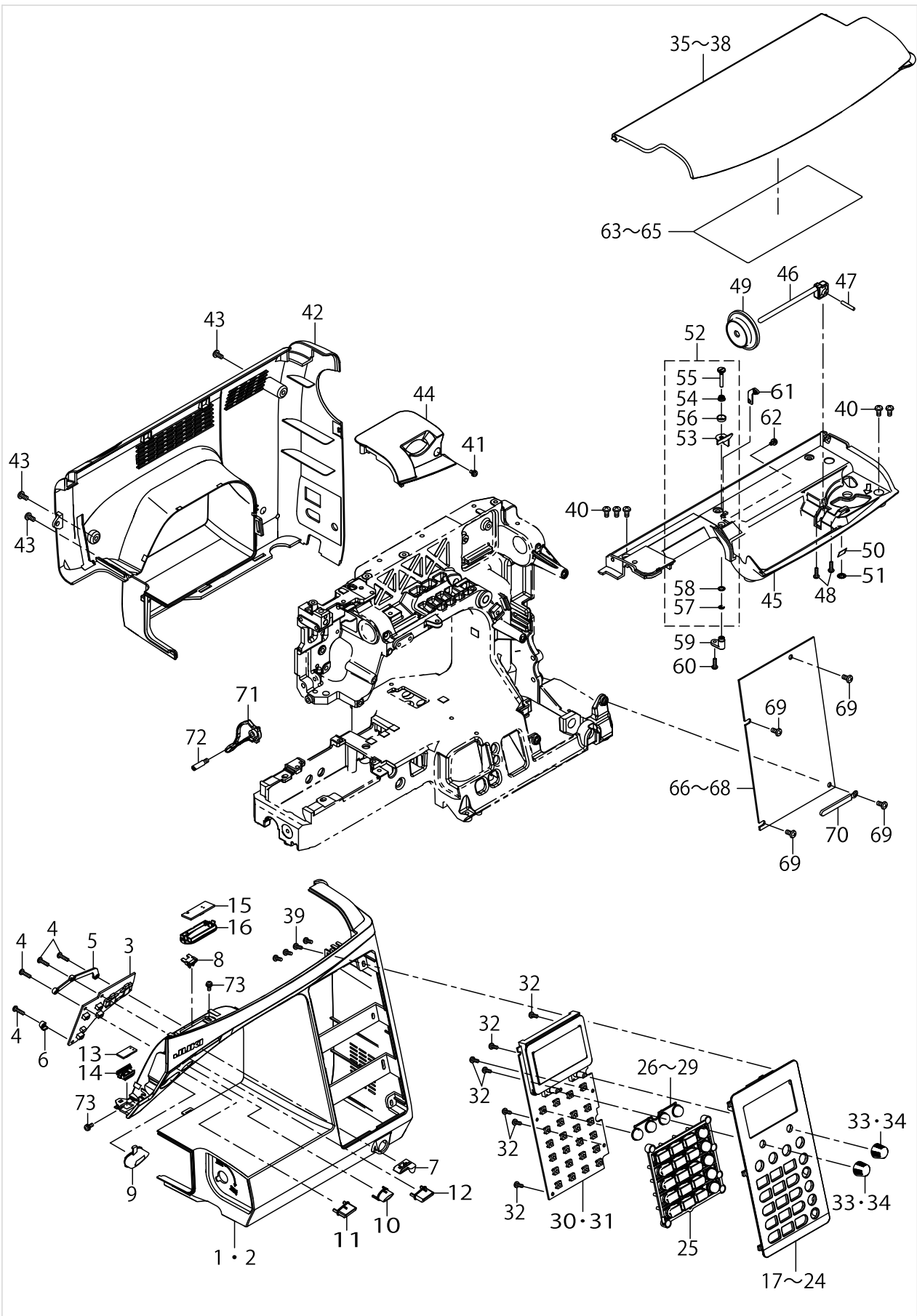
FRAME MISCELLANEOUS COVER COMPONENTS (1)



FRAME MISCELLANEOUS COVER COMPONENTS (1)

No.	Parts No.	Parts name	Remarks	Level	Cons	Qty
1	40056554	ASSY SYNC CIRCUIT BOARD				1
2	40059249	HANDLE				1
3	40107895	HANDLE_BRACKET_ASSY				1
4	RE0400000K0	E-RING 4				1
5	40062500	HANDLE BRACKET L ASSY				1
6	SM5040855SN	SCREW				2
7	40065563	FACE COVER GUIDE SHAFT				1
8	40152349	BH_SOCKET_CAUTION_LABEL				1
9	40094758	BH_SOCKET_CAUTION_LABEL_KORIA	FOR KOR			1
10	40059230	FACE COVER				1
11	A3711010000A	TOP THREADING CUTTER				1
12	40072395	CUTTER HOLDER				1
13	A3205555A00	LOCKNUT				1
14	40070239	FACE COVER COLLAR				1
15	SM8030312TP	SCREW M3 L=3				1
16	SM5040855SN	SCREW				2
17	ST5030851SN	SCREW M5X8				1
18	40107899	BED_REINFORCING_PLATE				1
19	A1159770000	HEIGHT ADJUSTING SPRING				1
20	40057991	HEIGHT ADJUSTING RUBBER				1
21	SM5040855SN	SCREW				1
22	SM5040855SN	SCREW				2
23	40053685	FREE ARM LOWER COVER				1
24	SM5040855SN	SCREW				2
25	40053686	FREE ARM UPPER COVER				1
26	SM5040855SN	SCREW				1
27	40060614	ASSY AUXILIARY BED				1
28	40053683	AUXILIARY BED		*		1
29	40064571	AUXILIARY BED CLICK		*		1
30	40053684	AUXILIARY BED COVER		*		1
31	40059209	ACCESSORY TRAY		*		1
32	40059215	BED COVER DOMESTIC				1
33	40057990	RUBBER WASHER				3
34	40057922	RUBBER WASHER SCREW				3
35	SM5040855SN	SCREW				1

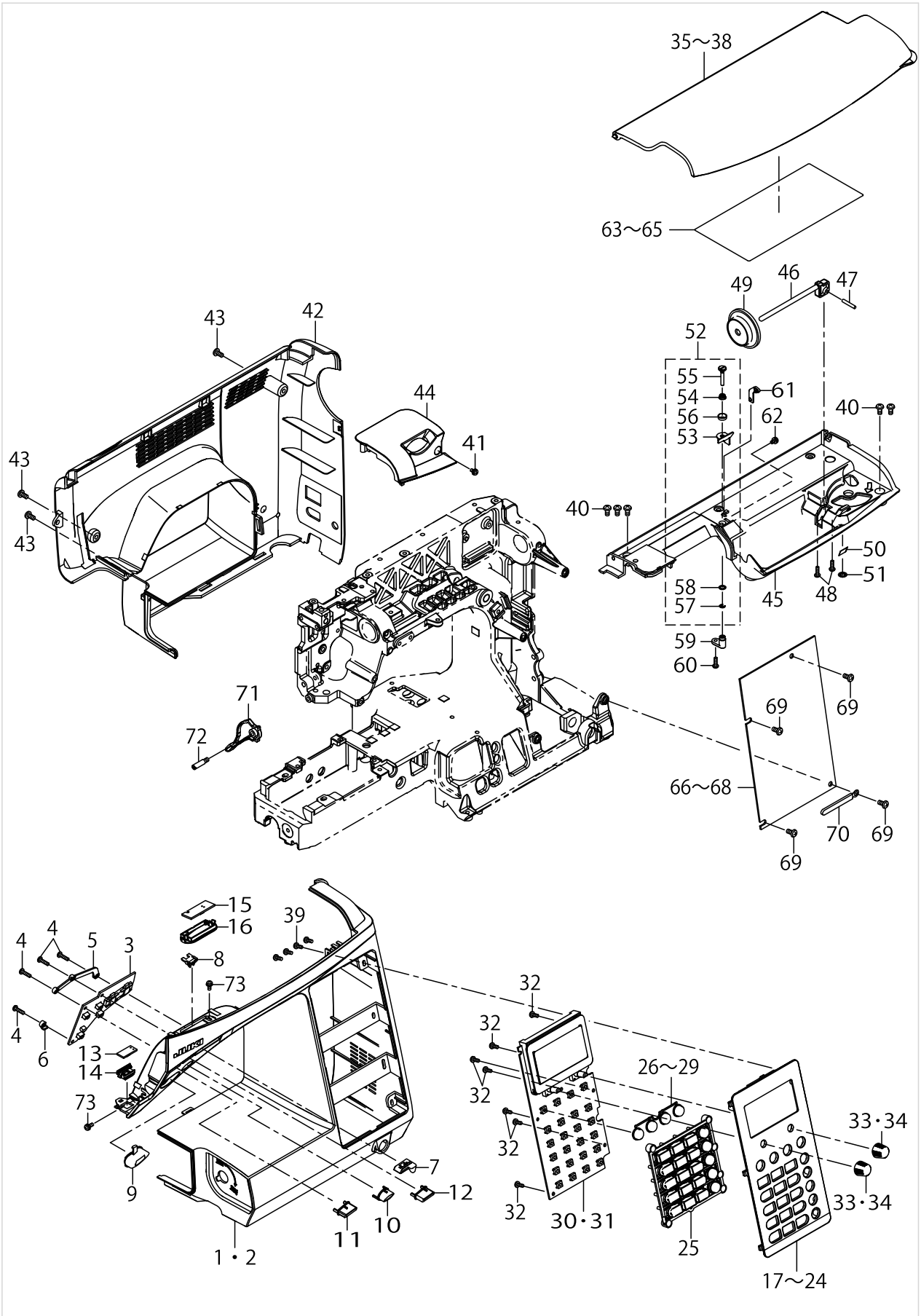
FRAME MISCELLANEOUS COVER COMPONENTS (2)



FRAME MISCELLANEOUS COVER COMPONENTS (2)

No.	Parts No.	Parts name	Remarks	Level	Cons	Qty
1	40059216	FRONT PANEL F600	FOR HZL-F600,HZL-F700,QM-900			1
2	40059217	FRONT PANEL F400	FOR HZL-F400,HZL-F300, HZL-F500,HZL-F370,QM-700			1
3	40143132	ASSY_SW/VR_CIRCUIT_BOARD				1
4	ST5031251SF	TAPPING SCREW D=3 L=12				4
5	40143315	CIRCUIT_BOAD_COLLAR_A				1
6	40069736	CIRCUIT BOAD COLLAR B				1
7	40059160	SLIDE VR				1
8	40069623	SLIDE VR CONNECT PART				1
9	40059161	SS BUTTON				1
10	40059163	REVERSE BUTTON				1
11	40059165	THREAD TRIMMER BUTTON				1
12	40059166	HALF STITCH BUTTON				1
13	40137570	ASSY_ON_HAND_LED_CIRCUIT_BOARD				1
14	40059167	LED LAMP COVER R				1
15	40135933	ASSY_BOSOM_LED_CIRCUIT_BOARD	FOR HZL-F600,HZL-F700,QM-900			1
16	40059168	BOSM LED COVER	FOR HZL-F600,HZL-F700,QM-900			1
17	40072508	PATTERN PANEL F600 ASSY	FOR HZL-F600			1
18	40072509	PATTERN PANEL F400 ASSY	FOR HZL-F400			1
19	40072510	PATTERN PANEL F300 ASSY	FOR HZL-F300			1
20	40153334	PATTERN PANEL F700 ASSY	FOR HZL-F700			1
21	40158070	PATTERN_PANEL_F500_ASSY	FOR HZL-F500			1
22	40158089	PATTERN_PANEL_F370_ASSY	FOR HZL-F370			1
23	40161379	PATTERN_PANEL_QM900_ASSY	FOR QM-900			1
24	40161397	PATTERN_PANEL_QM700_ASSY	FOR QM-700			1
25	40059183	DIRECT BUTTON F600				1
26	40059192	SHIFT BUTTON F600				1
27	40059193	SHIFT BUTTON F400	FOR HZL-F400,HZL-F300, HZL-F500,HZL-F370			1
28	40133321	SHIFT_BUTTON_F550J	FOR QM-900,QM-700			1
29	40157939	SHIFT_BUTTON_F350J	FOR QM-700			1
30	40056537	ASSY PANEL CIRCUIT BOARD	FOR HZL-F600,HZL-F700,QM-900			1
31	40058655	ASSY PANEL CIRCUIT BOARD	FOR HZL-F400,HZL-F300, HZL-F500,HZL-F370,QM-700			1
32	ST5030851SN	SCREW M5X8				7
33	40084595	ADJUSTING DIAL	FOR HZL-F600,HZL-F700			2
34	40107462	ADJUSTING_DIAL_F550J	FOR QM-900			2
35	40059244	ARM COVER MATERIAL				1
36	40120173	ARM_COVER_FQ65_MATERIAL	FOR HZL-F700,HZL-F500,HZL-F370			1
37	40161384	ARM_COVER_QM900	FOR QM-900			1
38	40161402	ARM_COVER_QM700	FOR QM-700			1
39	ST5031051SN	TAPPING SCREW				4
40	SM5040855SN	SCREW				5
41	SL4030691SC	SCREW M3X6				1
42	40059232	REAR PANEL FOREIGN				1
43	SM5040855SN	SCREW				3
44	40059245	TT COVER FOREIGN				1
45	40059240	SPOOL COVER				1
46	40058088	SPOOL PIN				1

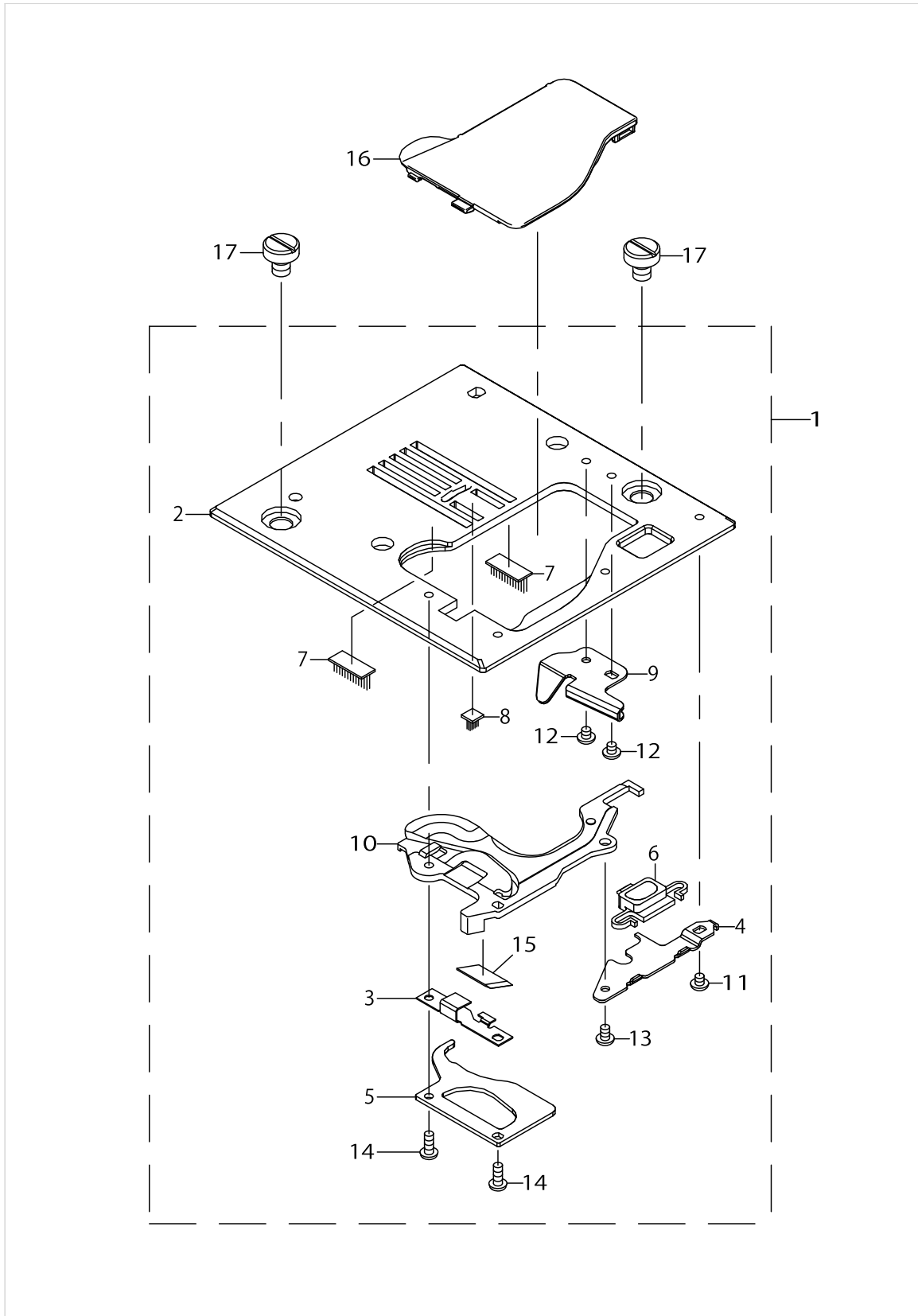
FRAME MISCELLANEOUS COVER COMPONENTS (2)



FRAME MISCELLANEOUS COVER COMPONENTS (2)

No.	Parts No.	Parts name	Remarks	Level	Cons	Qty
47	PH0300182C0	PARALLEL PIN				1
48	ST5031051SN	TAPPING SCREW				2
49	A1145E50000	SPOOL CAP				1
50	A3711010000A	TOP THREADING CUTTER				1
51	A3205555A00	LOCKNUT				1
52	40064572	ASSY THREAD GUIDE BASE				1
53	40062034	THREAD GUIDE BASE		*		1
54	A3234550000	THREAD GUIDE BASE SPRING		*		1
55	A3235030Z00A	THREAD GUIDE DISK SHAFT		*		1
56	A3233731000	THREAD GUIDE DISK		*		1
57	A3236880000	E RING		*		1
58	A3237880000	WASHER		*		1
59	A1139030Z00	THREAD GUIDE MOUNTING PLATE				1
60	ST5031051SN	TAPPING SCREW				1
61	40057397	BW THREAD GUIDE				1
62	SL4030691SC	SCREW M3X6				1
63	40071975	PATTERN SEAL F600	FOR HZL-F600,HZL-F700,QM-900			1
64	40071977	PATTERN SEAL F400	FOR HZL-F400,HZL-F500,QM-700			1
65	40071979	PATTERN SEAL F300	FOR HZL-F300,HZL-F370			1
66	40120575	ALL ASSY CPU PCB F600	FOR HZL-F600,HZL-F700,QM-900			1
67	40120576	ALL ASSY CPU PCB F400	FOR HZL-F400,HZL-F500,QM-700			1
68	40120577	ALL ASSY CPU PCB F300	FOR HZL-F300,HZL-F370			1
69	SM5040855SN	SCREW				4
70	A3811550000	CORD HOLDER				1
71	40055401	LIFTER LEVER				1
72	40070284	LIFTER LEVER SHAFT				1
73	SL4030891SC	SCREW M3X8				2

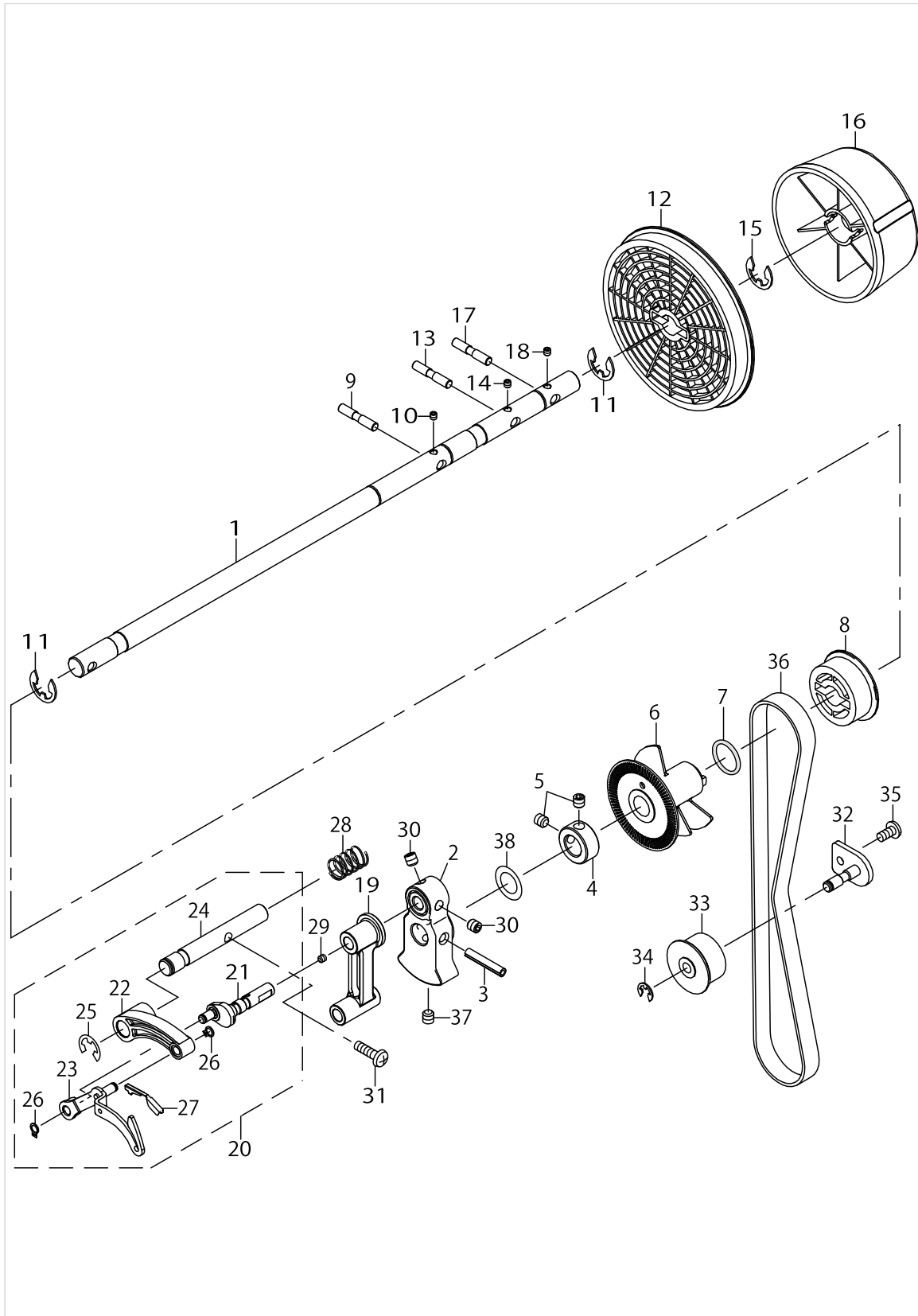
THROAT PLATE COMPONENTS



THROAT PLATE COMPONENTS

No.	Parts No.	Parts name	Remarks	Level	Cons	Qty
1	40079367	THROAT PLATE ASM.				1
2	40053462	THROAT PLATE		*		1
3	A1111A85000	SPRING		*		1
4	A1119010000	HOOK COVER BUTTON SUPPORT		*		1
5	40057150	STOPPING PLATE LEFT		*		1
6	A1114010000A	HOOK COVER OPEN/CLOSE BUTTON		*		1
7	A1117008000	NEEDLE PLATE PILE A		*		2
8	40064702	THROAT PLATE PILE B		*		1
9	40065631	HOOK COVER SUPPORT PLATE		*		1
10	A1115A85000	BOBBIN CASE COVER		*		1
11	SM4020201SC	SCREW M2 L=2		*		1
12	SM4020201SC	SCREW M2 L=2		*		2
13	SM4020301SC	SCREW M2X0.4 L=3		*		1
14	SM5020501SC	SCREW M2 L=5		*		2
15	A3711010000A	TOP THREADING CUTTER		*		1
16	40064685	HOOK COVER				1
17	A1138335000	THROAT PLATE SETSCREW				2

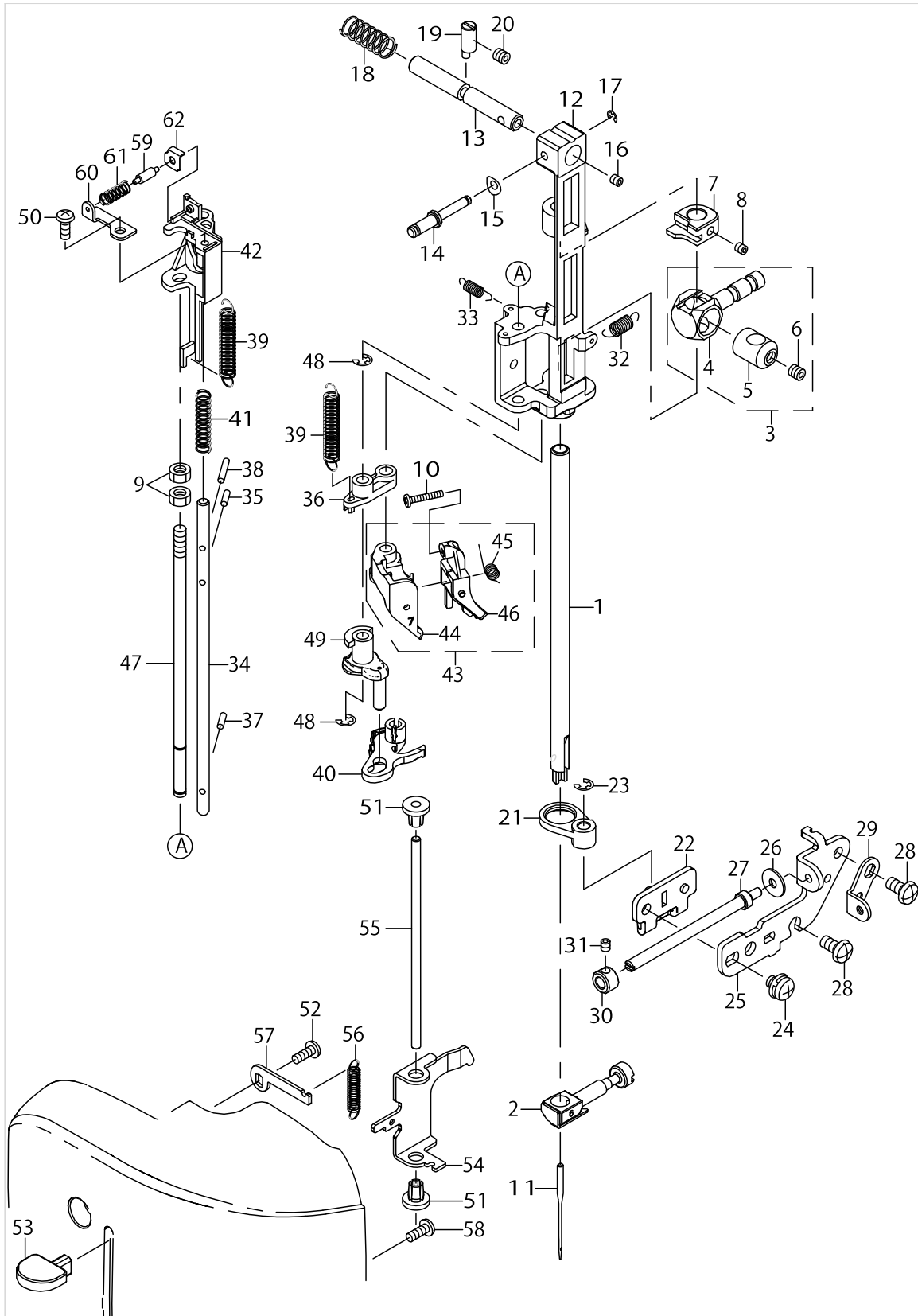
UPPER SHAFT & TAKE UP COMPONENTS



UPPER SHAFT & TAKE UP COMPONENTS

No.	Parts No.	Parts name	Remarks	Level	Cons	Qty
1	40107901	UPPER_SHAFT				1
2	40053484	COUNTER WEIGHT				1
3	PS0400222KP	SPRING PIN				1
4	CS1000881TP	THRUST COLLAR				1
5	SM8050512TP	SCREW				2
6	40053493	DETECTOR SHIELD PLATE				1
7	RO133170100	RUBBER RING				1
8	40055825	UPPER SHAFT PULLEY				1
9	40053469	MOTOR PULLEY PIN				1
10	SM8030312TP	SCREW M3 L=3				1
11	RE0800000K0	E-RING 8				2
12	40057983	MOTOR PULLEY				1
13	40053469	MOTOR PULLEY PIN				1
14	SM8030312TP	SCREW M3 L=3				1
15	RE0800000K0	E-RING 8				1
16	40053486	HAND WHEEL				1
17	40053469	MOTOR PULLEY PIN				1
18	SM8030312TP	SCREW M3 L=3				1
19	40053487	NEEDLE BAR CRANK ROD				1
20	40057187	TAKE UP ASSY				1
21	40057188	NEEDLE BAR CRANK		*		1
22	40057189	TAKE UP CRANK		*		1
23	40057190	TAKE UP BODY ASSY		*		1
24	40057194	TAKE UP SUPPORT SHAFT		*		1
25	RE0600000K0	E-RING 6		*		1
26	RC0370411KP	RETAINING RING		*		2
27	40062518	TAKE UP CLICK		*		1
28	40057355	SUPPORT SHAFT SPRING				1
29	SM8030312TP	SCREW M3 L=3				1
30	SM8050512TP	SCREW				2
31	SM5041455SN	SCREW				1
32	40053479	IDLER BRACKET ASSY				1
33	40056861	IDLER				1
34	RE0400000K0	E-RING 4				1
35	SM5040855SN	SCREW				1
36	40057384	TIMING BELT				1
37	SM8050512TP	SCREW				1
38	A1223010000	SPRING WASHER				1

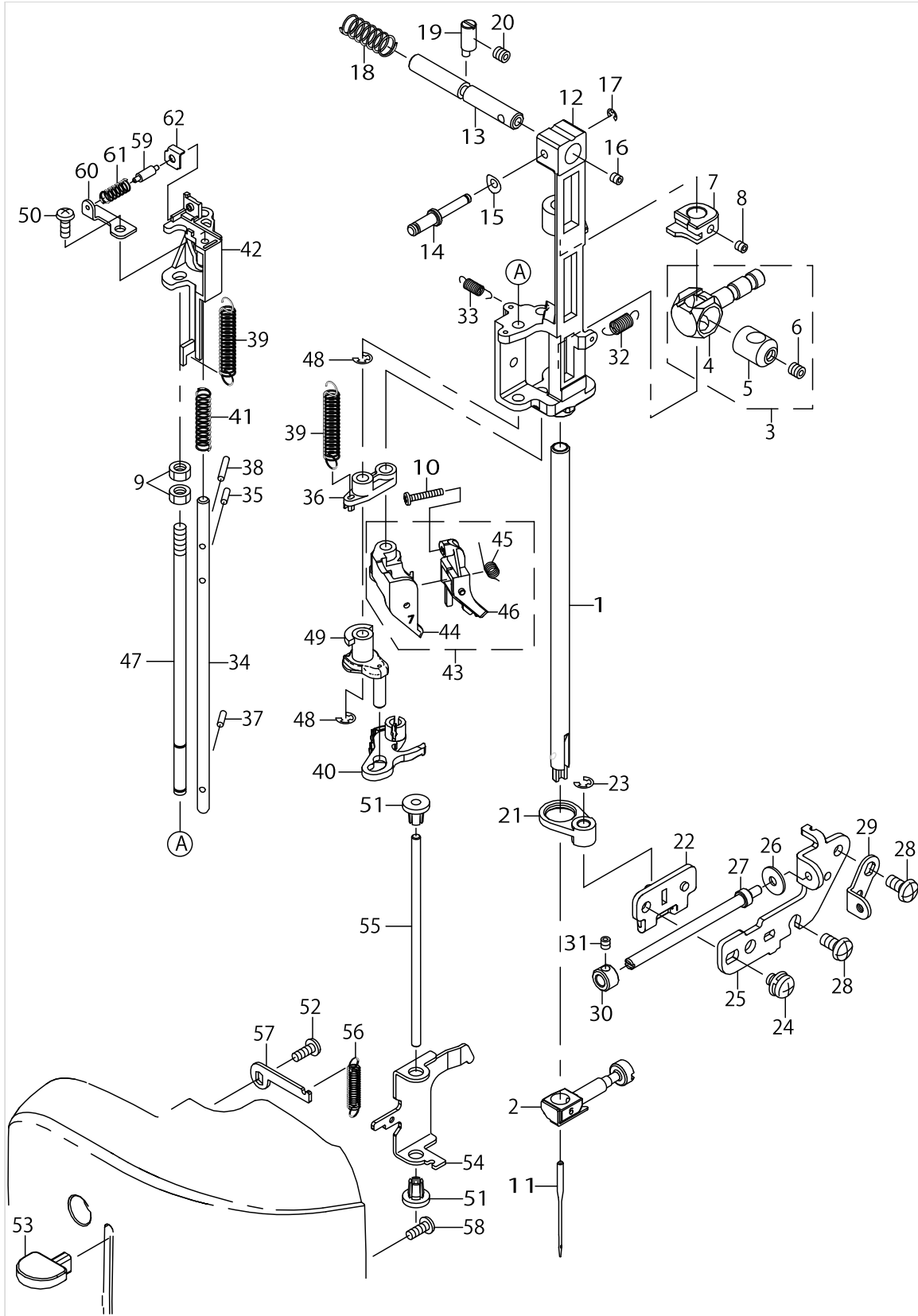
NEEDLE BAR & NEEDLE THREADER COMPONENTS



NEEDLE BAR & NEEDLE THREADER COMPONENTS

No.	Parts No.	Parts name	Remarks	Level	Cons	Qty
1	40108579	ASSY NEEDLE BER				1
2	40121860	ASSY_NEEDLE_CLAMP_F				1
3	40053490	ASSY NEEDLE BAR CONNECTION				1
4	40053491	NEEDLE BAR CONNECTION		*		1
5	A1412010000	NEEDLE BAR CONNECTION INNER		*		1
6	SM8040412TP	SET SCREW M4 L=4		*		1
7	40055819	TP NEEDLE BAR GUIDE				1
8	SM8030312TP	SCREW M3 L=3				1
9	NM6040002SF	NUT M4				2
10	SM5020855SN	SCREW M2 L=8				1
11	MHA100B1400	NEEDLE 130/705H #90				1
12	40053496	NEEDLE BAR FRAME				1
13	40053497	NEEDLE BAR FRAME SHAFT				1
14	40053498	NB FRAME FULCRUM SHAFT				1
15	WZ0320290UZ	WASHER 3.2X6.5X0.15				1
16	SM8030312TP	SCREW M3 L=3				1
17	RE0200000K0	E-RING				1
18	40056970	NB FRAME SHAFT SPRING				1
19	A1427010000A	NB FRAME ADJUST SHAFT				1
20	SM8040412TP	SET SCREW M4 L=4				1
21	40053516	NB FRAME CONTROL ARM				1
22	40053517	NB LATERAL ADJUST PLATE ASSY				1
23	RE0300000K0	E-RING 3				1
24	SL4040691SC	SCREW M4 L=6				1
25	40055989	FACE PLATE FIXING PLATE				1
26	WP0330816SF	WASHER 3.25X10X0.8				1
27	40062407	FACE COVER SHAFT				1
28	SM5040855SN	SCREW				2
29	40055831	FRONT PANEL FIXING PLATE				1
30	A1617030000	THRUST COLLAR				1
31	SM8030312TP	SCREW M3 L=3				1
32	40056945	NEEDLE BAR FRAME SPRING				1
33	40071728	NEEDLE BAR FRAME SPRING LOWER				1
34	40098262	TP SHAFT				1
35	A1458A85000	HOOK HOLDER PIN				1
36	40108612	LINK BASE				1
37	A1458A85000	TP SHAFT PIN SMALL				1
38	40055811	TP SHAFT PIN LARGE				1
39	40055812	TP CAM SPRING				2
40	40055813	TP HOOK HOLDER ASSY				1
41	40055827	TP SHAFT SPRING				1
42	40098264	TP CAM				1
43	40108609	ASSY ASSIST HOOK				1
44	40108610	ASSIST HOOK		*		1
45	40055828	CLIP SPRING		*		1
46	40051255	TENSION CLIP		*		1
47	40098263	GUIDE SHAFT				1

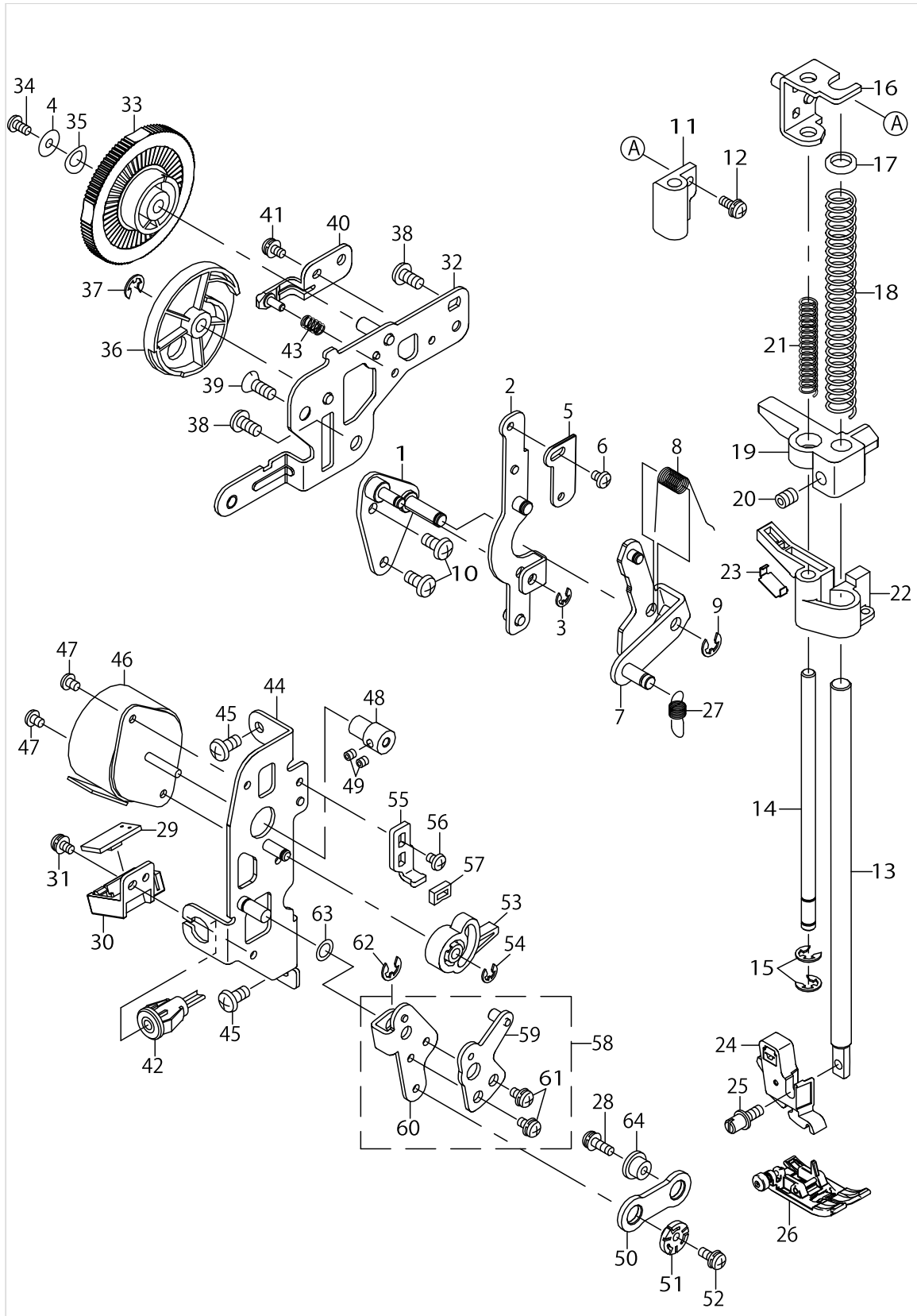
NEEDLE BAR & NEEDLE THREADER COMPONENTS



NEEDLE BAR & NEEDLE THREADER COMPONENTS

No.	Parts No.	Parts name	Remarks	Level	Cons	Qty
48	RE030000K0	E-RING 3				2
49	40108611	DRIVING GEAR				1
50	ST5030851SN	SCREW M5X8				1
51	40079178	TP LEVER BUSH				2
52	ST5030851SN	SCREW M5X8				1
53	40055821	TP HANDLE				1
54	40098265	TP LEVER				1
55	40055822	TP LEVER SHAFT				1
56	40055823	TP LEVER SPRING				1
57	40055824	TP LEVER SUPPORT				1
58	ST5030851SN	SCREW M5X8				1
59	40098266	TP CLICK SHAFT				1
60	40098267	TP CLICK BASE				1
61	40098268	TP CLICK SPRING				1
62	40098269	TP CLICK PLATE				1

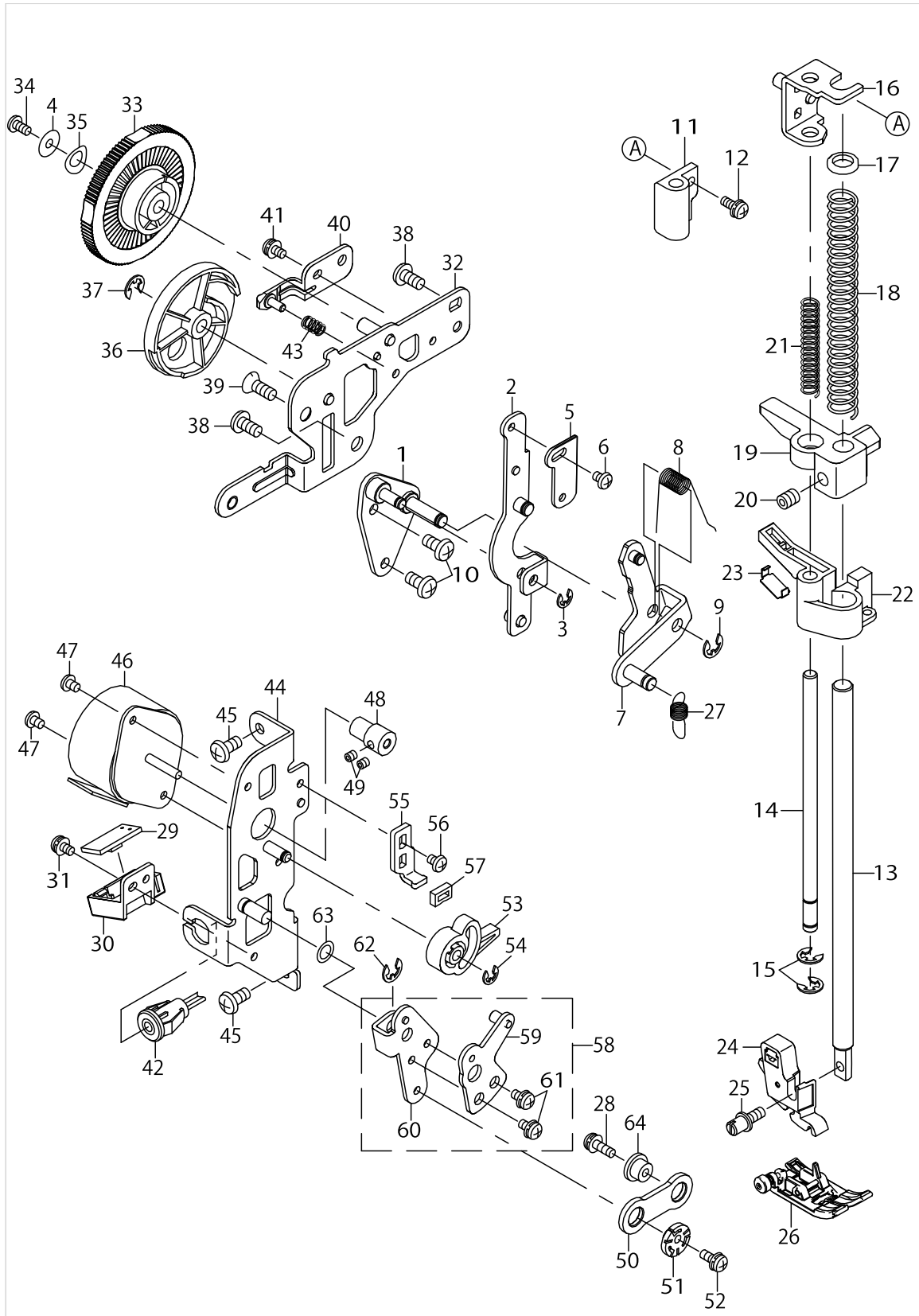
PRESSER MECHANISM & NEEDLE THROWING COMPONENTS



PRESSER MECHANISM & NEEDLE THROWING COMPONENTS

No.	Parts No.	Parts name	Remarks	Level	Cons	Qty
1	40055391	TENSION RELEASE BASE ASSY				1
2	40055387	TENSION RELEASE PLATE ASSY				1
3	RE0300000K0	E-RING 3				1
4	WP0330816SF	WASHER				1
5	40055395	TR ADJUST PLATE				1
6	SM5030455SF	SCREW M3 L=4				1
7	40055557	KNEE LIFTER PLATE ASSY				1
8	40056969	KNEE LIFTER PLATE SPRING				1
9	RE0400000K0	E-RING 4				1
10	SM5040855SN	SCREW				2
11	40076391	SUB SPRING HOLDER				1
12	SL4030891SC	SCREW M3X8				1
13	40055402	PRESSER BAR				1
14	40055403	PF GUIDE BAR				1
15	RE0400000K0	E-RING 4				2
16	40055409	PRESSER ADJUST PLATE ASSY				1
17	40055404	PRESSER SPRING HOLDER				1
18	40055405	PRESSER SPRING				1
19	40055406	PRESSER BAR GUIDE				1
20	SM8050602TP	SCREW M5 L=6				1
21	40055412	PRESSER SUB SPRING				1
22	40061618	PRESSER BLOCK				1
23	40064224	PRESSER BLOCK PLATE				1
24	40056529	ASSY PRESSER FOOT HOLDER				1
25	40064703	PF HOLDER SCREW				1
26	40057923	ASSY STANDARD PRESSER FOOT				1
27	40055408	PRESSER LEVER SPRING				1
28	SL4031091SC	SCREW M3X10				1
29	40137772	ASSY_ON_HAND_LED_CIRCUIT_BOARD				1
30	40056368	LED LAMP COVER L				1
31	SL4030691SC	SCREW M3X6				1
32	40055426	PRESSER ADJUST BASE ASSY				1
33	40060527	PRESSER ADJUST DIAL				1
34	SM5030655SN	SCREW M3X0.5 L=6				1
35	A2110700000	SPRING WASHER				1
36	40055433	PRESSER ADJUST GEAR				1
37	RE0400000K0	E-RING 4				1
38	SM5040855SN	SCREW				2
39	SM1040801SN	SCREW M4X0.7 L=8				1
40	40079605	PRESSER DIAL CLICK				1
41	SL4030691SC	SCREW M3X6				1
42	40056553	ASSY BH RELAY				1
43	40079606	PRESSER DIAL CLICK SPRING				1
44	40053500	NT STM BASE ASSY				1
45	SM5040855SN	SCREW				2
46	40056557	ASSY NT STM				1
47	SM5030455SF	SCREW M3 L=4				2

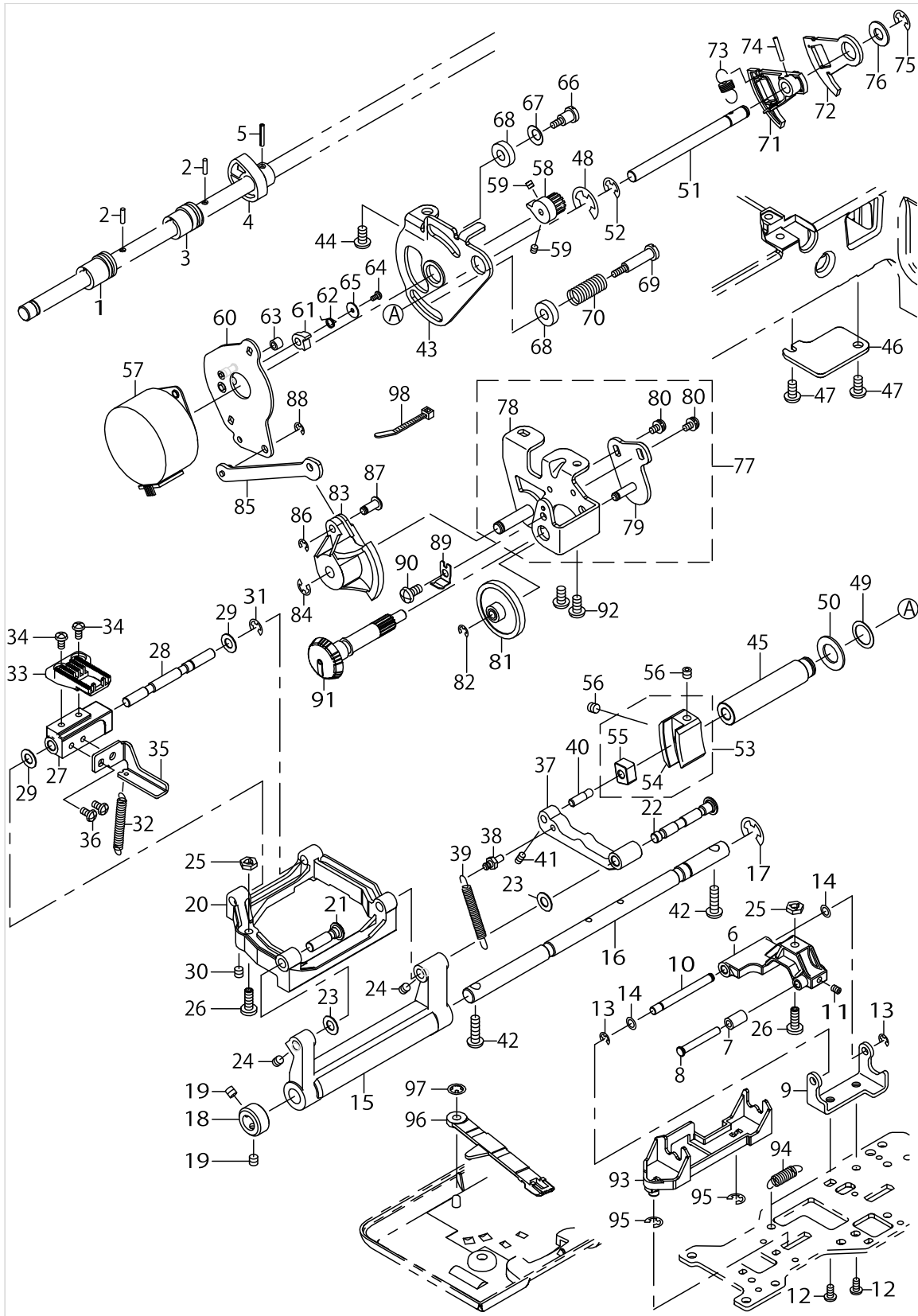
PRESSER MECHANISM & NEEDLE THROWING COMPONENTS



PRESSER MECHANISM & NEEDLE THROWING COMPONENTS

No.	Parts No.	Parts name	Remarks	Level	Cons	Qty
48	40070288	NT STM GEAR				1
49	SM8030312TP	SCREW M3 L=3				2
50	40053499	ROCKING ROD				1
51	A1456008000A	LEAN CENTER SHAFT				1
52	SL4030891SC	SCREW M3X8				1
53	40053505	NEEDLE THROWING GEAR				1
54	RE0400000K0	E-RING 4				1
55	40055676	NT STM STOPPER				1
56	SM5030655SN	SCREW M3X0.5 L=6				1
57	A1646010000	RETRIEVAL RUBBER				1
58	40066231	ASSY NEEDLE THROWING ARM				1
59	40053506	NEEDLE THROWING ARM ASSY		*		1
60	40066198	NEEDLE THROWING ADJUST ARM		*		1
61	SL4030691SC	SCREW M3X6		*		2
62	RE0400000K0	E-RING 4				1
63	WP0520516RZ	WASHER				1
64	40062144	ROCKING ROD BUSH				1

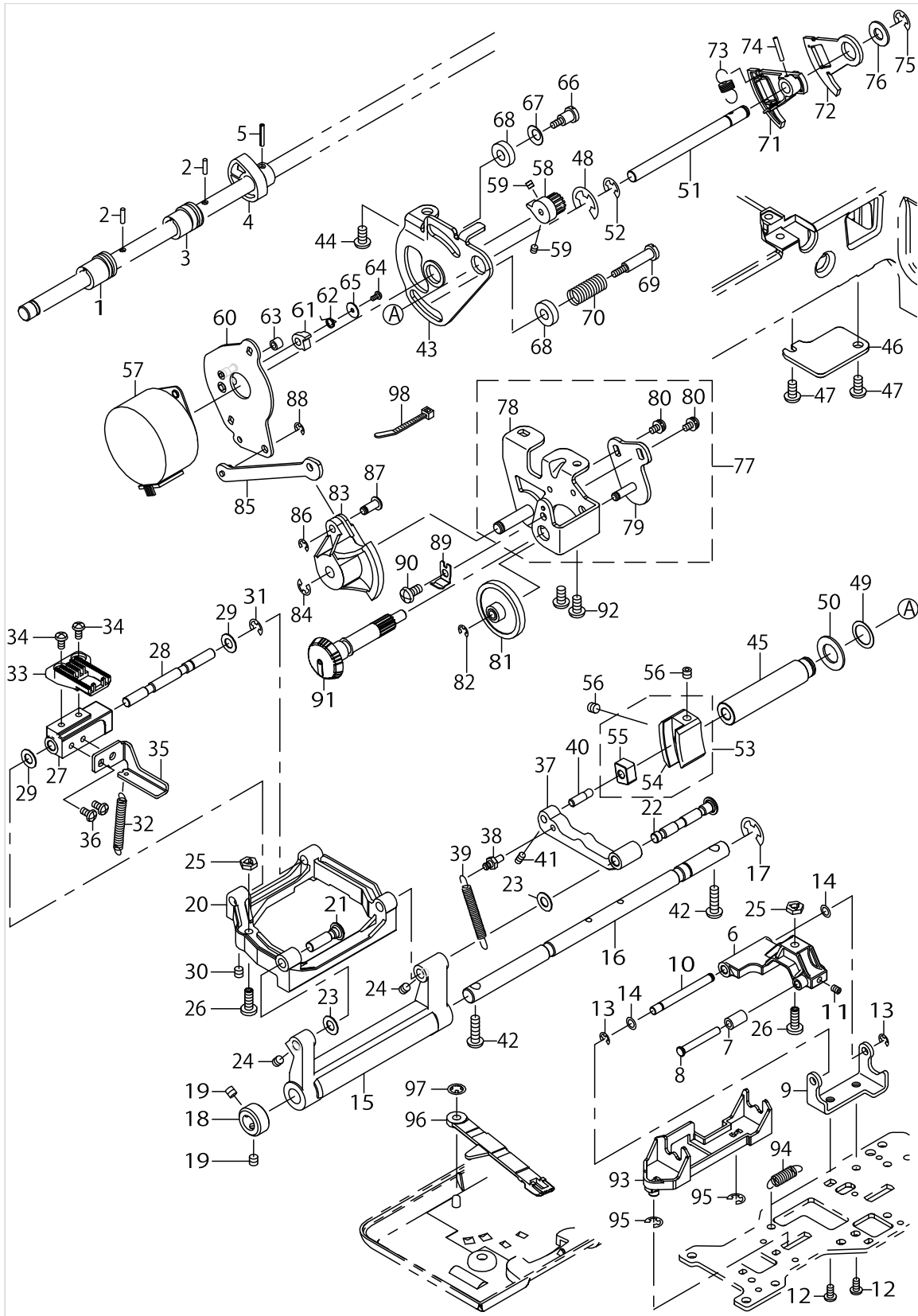
FEED MECHANISM COMPONENTS



FEED MECHANISM COMPONENTS

No.	Parts No.	Parts name	Remarks	Level	Cons	Qty
1	40055496	VERTICAL FEED CAM				1
2	PS0200082KP	VF CAM STOP PIN				2
3	40055499	VF ASSIST CAM				1
4	40055504	HORIZONTAL FEED CAM				1
5	PS0200122KP	SPRING PIN TYPE W 2X12				1
6	40071970	CORRECTION ARM				1
7	40071971	CORRECTION ROLLER				1
8	40071972	CORRECTION ROLLER SHAFT				1
9	40071973	CORRECTION ARM BASE				1
10	40107914	CORRECTION_ARM_SHAFT				1
11	SM8030612TP	SET SCREW				1
12	SM5030655SN	SCREW M3X0.5 L=6				2
13	RE0300000K0	E-RING 3				2
14	WP0410516RZ	WASHER				2
15	40055505	HF ROCKER ARM				1
16	40107915	HF_ROCKER_ARM_SHAFT				1
17	RE0700000K0	E-RING 7				1
18	A1203030000	THRUST COLLAR				1
19	SM8040412TP	SET SCREW M4 L=4				2
20	40055513	FEED BAR				1
21	40107916	FEED_BAR_SHAFT_L				1
22	40055507	FEED BAR SHAFT R				1
23	WP0520516RZ	WASHER				2
24	SM8040412TP	SET SCREW M4 L=4				2
25	174804008000	VF ADJUST SHAFT NUT				2
26	40055500	VF ADJUST SHAFT				2
27	40055502	ASSIST FEED BAR				1
28	40107918	ASSIST_FEED_BAR_SHAFT				1
29	WP0520516RZ	WASHER				2
30	SM8040412TP	SET SCREW M4 L=4				1
31	RE0400000K0	E-RING 4				1
32	40055501	FEED BAR SPRING				1
33	40055516	FEED DOG				1
34	SM5030655SN	SCREW M3X0.5 L=6				2
35	40071969	CORRECTION PLATE				1
36	SM5030655SN	SCREW M3X0.5 L=6				2
37	40060607	HORIZONTAL FEED ARM				1
38	40056010	HF ARM SPRING PIN				1
39	40055517	HORIZONTAL FEED ARM SPRING				1
40	A1624010000	SLIDE BLOCK SHAFT				1
41	SM8030612TP	SET SCREW				1
42	SM5041455SN	SCREW				2
43	40055525	FEED STM FIXING PLATE				1
44	SM5040855SN	SCREW				1
45	40055520	FEED REGULATOR BUSHING				1
46	40055519	FR BUSHING CLAMP PLATE				1
47	SM5040855SN	SCREW				2

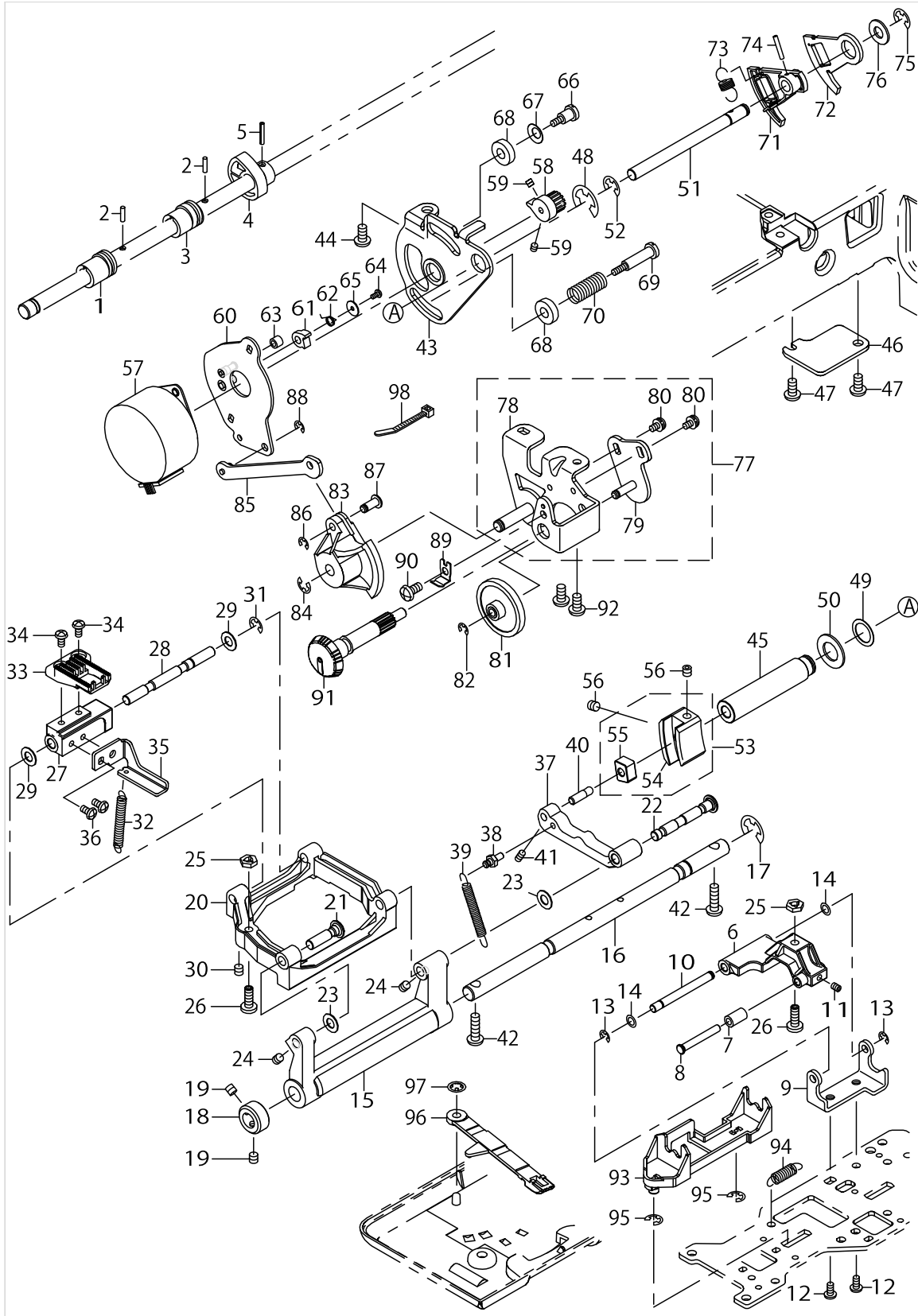
FEED MECHANISM COMPONENTS



FEED MECHANISM COMPONENTS

No.	Parts No.	Parts name	Remarks	Level	Cons	Qty
48	RE0800000K0	E-SHAPED SNAP RING (8MM)				1
49	A1206535000	HANDWHEEL WASHER				1
50	WP1021016SD	WASHER				1
51	40055521	FEED REGULATOR SHAFT				1
52	RE0500000K0	E-RING				1
53	40125812	ASSY_FEED_REGULATOR				1
54	40055522	FEED_REGULATOR		*		1
55	40055524	FEED_REGULATOR_BLOCK		*		1
56	SM8040412TP	SET SCREW M4 L=4				2
57	40056558	ASSY FD STM				1
58	40055530	FEED STM GEAR				1
59	SM8030312TP	SCREW M3 L=3				2
60	40055534	FEED ADJUSTING PLATE ASSY				1
61	40055531	FEED STOPPER LEVER				1
62	40055532	FEED STOPPER SPRING				1
63	40055533	ORIGIN DETECTING RUBBER				1
64	SM4020401SC	SCREW M2 L=4				1
65	WP0250501SC	WASHER 2.5X6.5				1
66	A1650008000A	STAGE SCREW A				1
67	A2110700000	SPRING WASHER				1
68	40055539	FEED STM WASHER				2
69	A1651008000	STAGE SCREW A				1
70	A1658008000	SPRING				1
71	40055526	FEED REGULATOR GEAR A				1
72	40055527	FEED REGULATOR GEAR B				1
73	40055528	FR GEAR SPRING				1
74	PS0200122KP	SPRING PIN TYPE W 2X12				1
75	RE0500000K0	E-RING				1
76	WP0621016SD	WASHER 6.2X13X1				1
77	40066230	ASSY FEED ADJUST BASE PLATE				1
78	40055544	FEED ADJUST BASE PLATE ASSY		*		1
79	40059862	INTERMEDIATE GEAR BASE ASSY		*		1
80	SL4030891SC	SCREW M3X6		*		2
81	40055549	FA INTERMEDIATE GEAR				1
82	RE0300000K0	E-RING 3				1
83	40055548	FEED ADJUST GEAR				1
84	RE0400000K0	E-RING 4				1
85	40055540	FEED ADJUST LINK ASSY				1
86	RE0300000K0	E-RING 3				1
87	40072885	FEED ADJUST LINK PIN				1
88	RE0300000K0	E-RING 3				1
89	A1654008000	PLATE SPRING				1
90	SM5040855SN	SCREW				1
91	40055550	FEED ADJUST DIAL				1
92	SM5040855SN	SCREW				2
93	40057335	DF WORKING BODY				1
94	40066691	DF RETURN SPRING				1

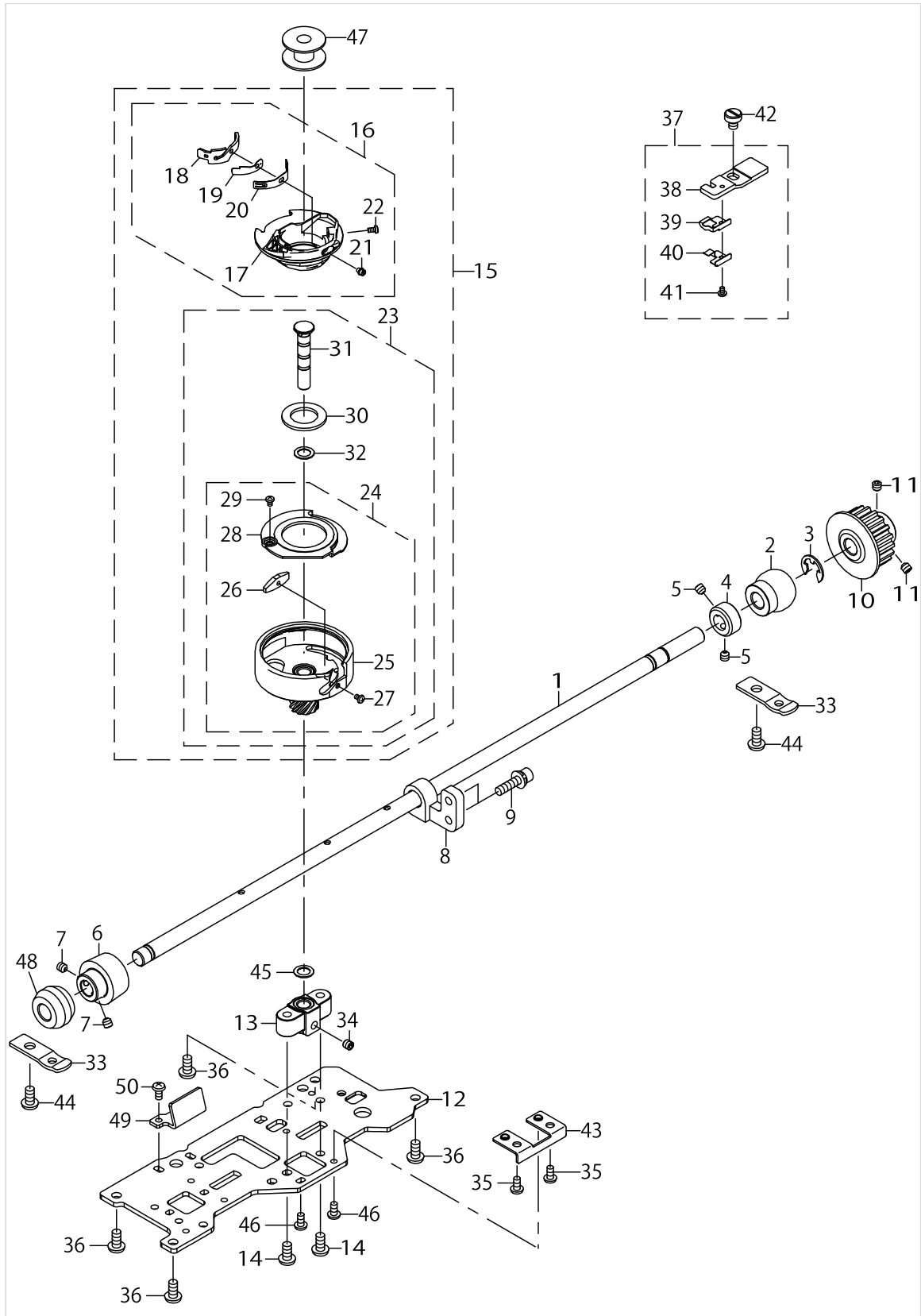
FEED MECHANISM COMPONENTS



FEED MECHANISM COMPONENTS

No.	Parts No.	Parts name	Remarks	Level	Cons	Qty
95	RE040000K0	E-RING 4				2
96	40057334	DF LEVER				1
97	A320555A00	LOCKNUT				1
98	A407855000B	BAND				1

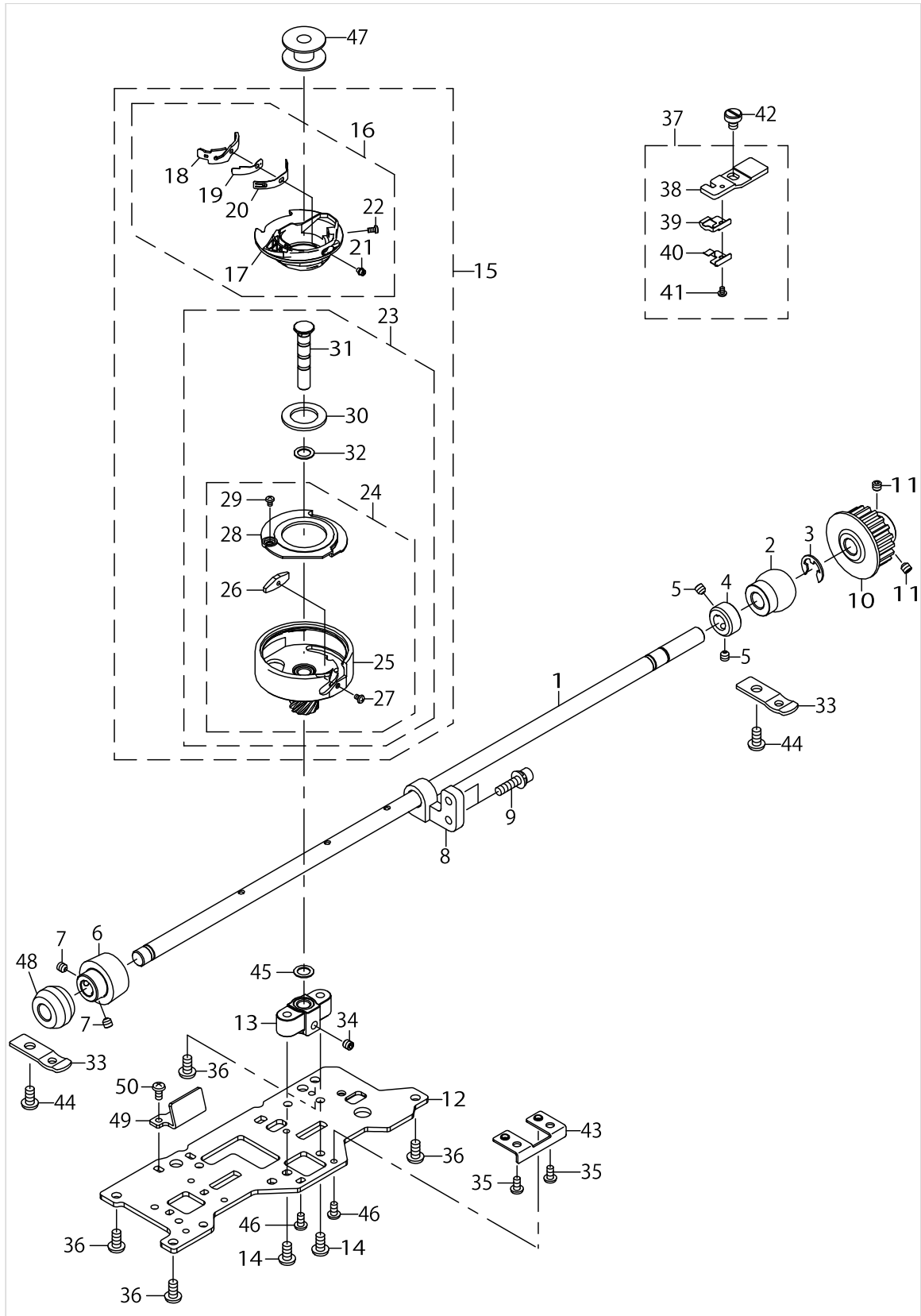
LOWER SHAFT & HOOK COMPONENTS



LOWER SHAFT & HOOK COMPONENTS

No.	Parts No.	Parts name	Remarks	Level	Cons	Qty
1	40107929	LOWER_SHAFT				1
2	A1810E60000	LOWER SHAFT WELT BEARING				1
3	RE0700000K0	E-RING 7				1
4	A1203030000	THRUST COLLAR				1
5	SM8040412TP	SET SCREW M4 L=4				2
6	40099886	HOOK_DRIVING_GEAR				1
7	SM8040412TP	SET SCREW M4 L=4				2
8	40053495	LOWER_SHAFT_SUPPORT				1
9	SL6041692TN	SCREW				2
10	40055826	LOWER_SHAFT_PULLEY				1
11	SM8040412TP	SET SCREW M4 L=4				2
12	40145841	HOOK_BRACKET				1
13	40053456	HOOK SHAFT BASE				1
14	SM5040855SN	SCREW				2
15	40081293	ALL_ASSY_HOOK				1
16	40080420	BOBBIN_CASE_PROCESSING		*		1
17	40058626	BOBBIN_CASE_MATERIAL		*		1
18	40060608	BOBBIN_CASE_THREAD_GUIDE		*		1
19	A1840009000	LOWER THREAD ADJUSTING SPRING A		*		1
20	A1841S56000	LOWER THREAD ADJUSTING SPRING B		*		1
21	A1843030000	LOWER THREAD ADJUSTING SCREW		*		1
22	A1844030000	BOBBIN CASE THRED GUIDE SCREW		*		1
23	A1830E800C0	HOOK ASM.		*		1
24	A1830E800B0	HOOK ASM.		*		1
25	A18300310A0	HOOK ASM.		*		1
26	A1832008000	HOOK NEEDLE GUARD		*		1
27	SM5020301SC	SCREW M2 L=3		*		1
28	A1831031000	HOOK BASE PLATE		*		1
29	SM5020301SC	SCREW M2 L=3		*		1
30	A1833E50000	FELIGHT MAGNET		*		1
31	A18090310A0	HOOK SHAFT ASM.		*		1
32	WP0620516RZ	WASHER		*		1
33	021112002000	LOWER SHAFT WELT BEARING PLATE				2
34	SM8040412TP	SET SCREW M4 L=4				1
35	SM5030655SN	SCREW M3X0.5 L=6				2
36	SM5040855SN	SCREW				4
37	40064997	ASSY_BOBBIN_CASE_STOPPER				1
38	40053454	BOBBIN_CASE_STOPPER_PLATE		*		1
39	40056975	BOBBIN_CASE_STOPPER_SPRING		*		1
40	40056976	STOPPER_SPRING_SUPPORT		*		1
41	SM5020301SC	SCREW M2 L=3		*		1
42	A1138335000	THROAT PLATE SETSCREW				1
43	40076508	HOOK_BRACKET_SUPPORT				1
44	SM5040855SN	SCREW				2
45	WP0620516RZ	WASHER				1
46	SM5030655SN	SCREW M3X0.5 L=6				2
47	001141000000	BOBBIN				1

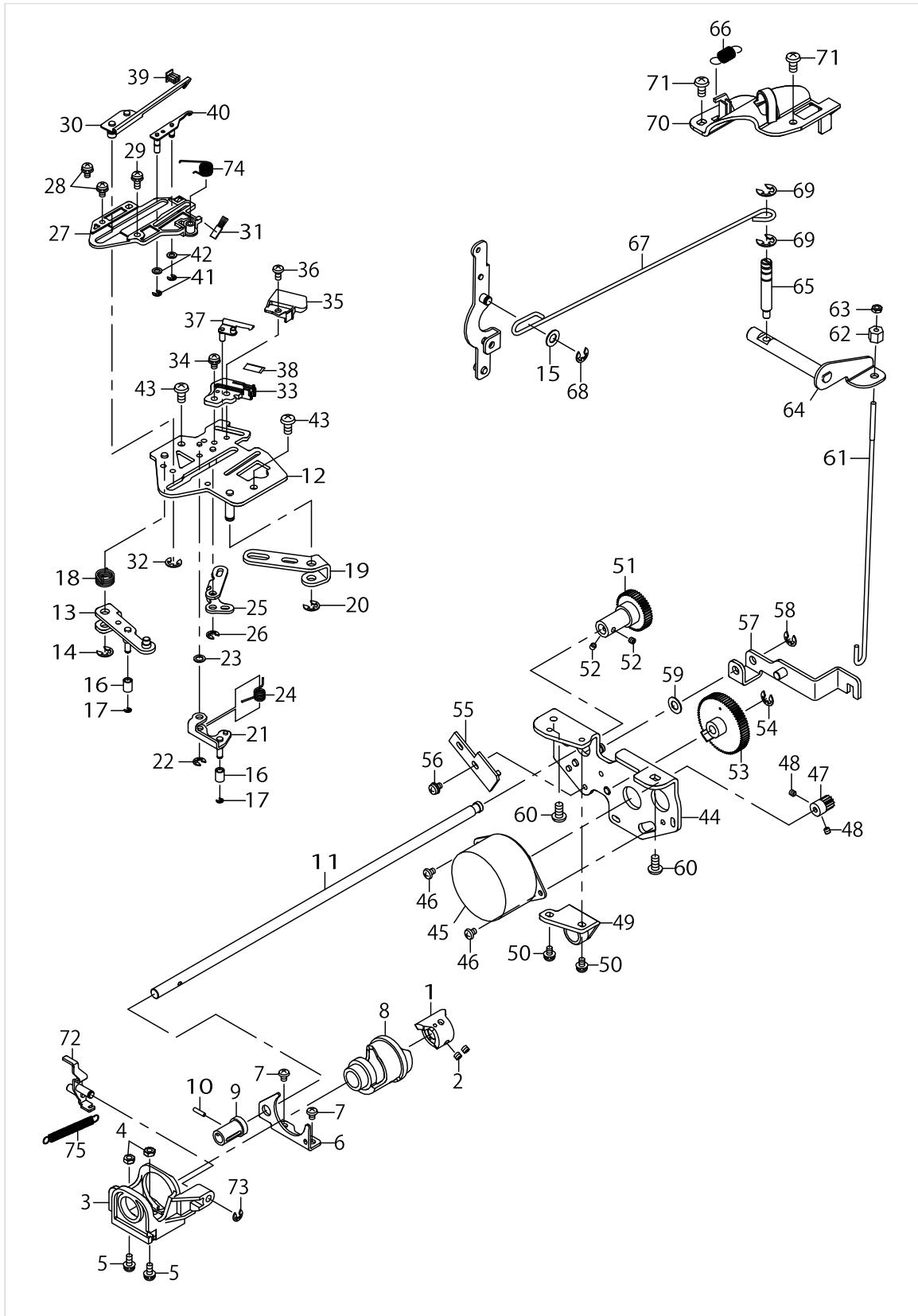
LOWER SHAFT & HOOK COMPONENTS



LOWER SHAFT & HOOK COMPONENTS

No.	Parts No.	Parts name	Remarks	Level	Cons	Qty
48	041207008000	LOWER SHAFT WELT BEARING				1
49	40145842	CAM_DRIVING_SHAFT_SUPPORT				1
50	SM5030655SN	SCREW M3X0.5 L=6				2

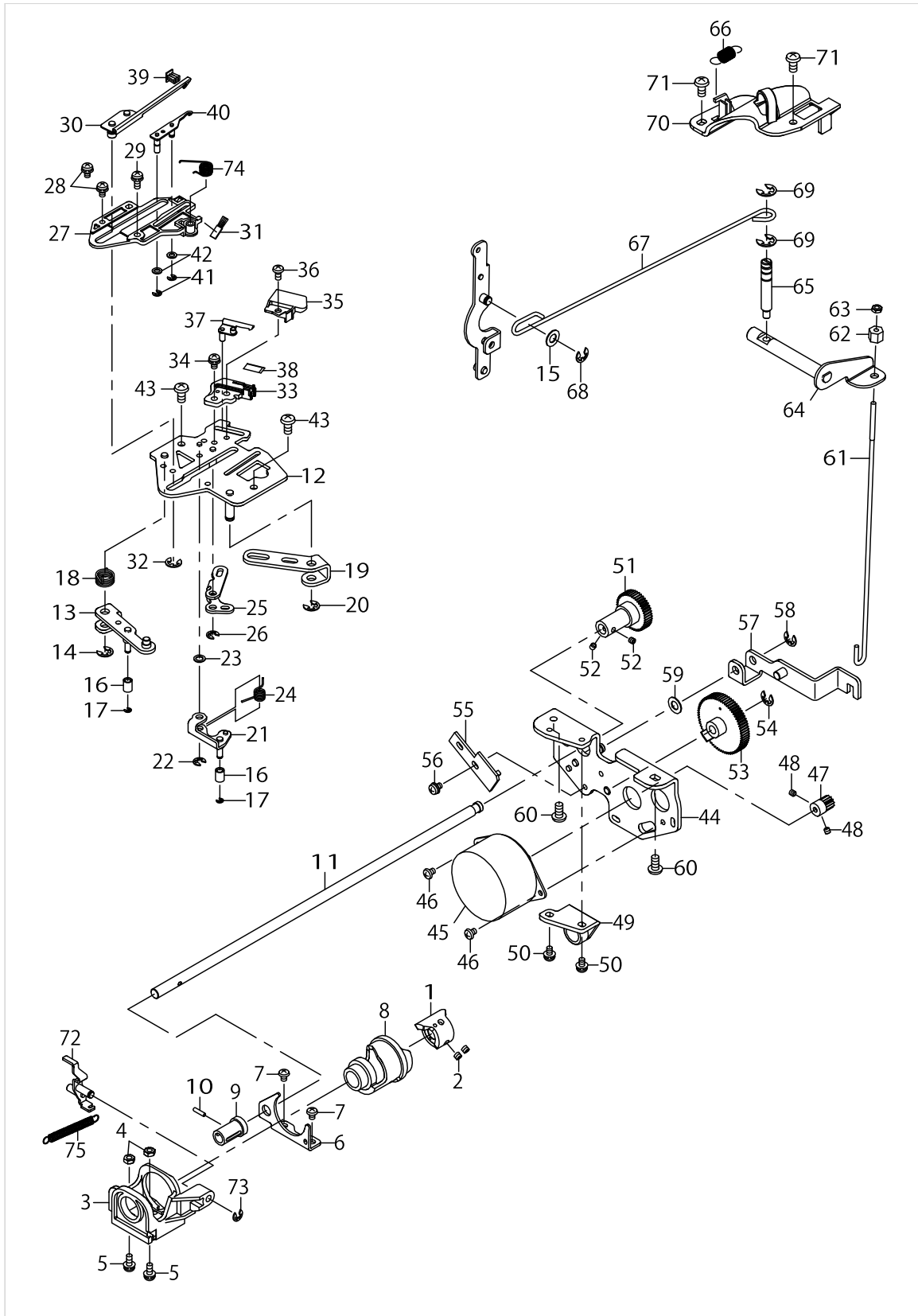
THREAD TRIMMER COMPONENTS



THREAD TRIMMER COMPONENTS

No.	Parts No.	Parts name	Remarks	Level	Cons	Qty
1	40136001	THREAD_TRIMMER_CAM				1
2	SM8030312TP	SCREW M3 L=3				2
3	40065718	DRIVING CAM HOLDER				1
4	NM6030002SF	NUT M3				2
5	SL4030891SC	SCREW M3X8				2
6	40053581	DRIVING CAM BRACKET R				1
7	SM5030455SF	SCREW M3 L=4				2
8	40136004	CATCHER_DRIVING_CAM				1
9	40053586	CAM DRIVING GEAR L				1
10	PS0200082KP	SPRING PIN TYPE W 2X8				1
11	40053587	CAM DRIVING SHAFT				1
12	40136005	TT_MECHANISM_BASE_ASSY				1
13	40053598	CATCHER WORKING LINK ASSY				1
14	RE0400000K0	E-RING 4				1
15	WP0520516RZ	WASHER				1
16	40053602	LINK SHAFT ROLLER				2
17	RE0150000K0	E-RING 1.5				2
18	40053610	CATCHER WORKING LINK SPRING				1
19	40053603	CATCHER LINK				1
20	RE0400000K0	E-RING 4				1
21	40053612	TT DRIVING LINK ASSY				1
22	RE0300000K0	E-RING 3				1
23	WP0410516RZ	WASHER				1
24	40053611	TT DRIVING LINK SPRING				1
25	40053616	THREAD TRIMMER LINK				1
26	RE0300000K0	E-RING 3				1
27	40136007	THREAD_CATCH_GUIDE				1
28	SL4030691SC	SCREW M3X6				2
29	SL4030891SC	SCREW M3X8				1
30	40053604	CATCHER ASSY				1
31	A3187010000	NEEDLE BAR FRAME BRUSH				1
32	RE0400000K0	E-RING 4				1
33	40136008	TT_CUTTER_BASE				1
34	SL4030691SC	SCREW M3X6				1
35	40136009	TT_CUTTER_COVER				1
36	SM5030655SN	SCREW M3X0.5 L=6				1
37	40135998	TT_CATCHER_ASSY				1
38	A3711010000A	TOP THREADING CUTTER				1
39	40053609	THREAD KEEPING PILE				1
40	40078681	UT HOOK ASSY				1
41	RE0200000K0	E-RING 2				2
42	WP0310516RZ	WASHER 3.1X5.4X0.5				2
43	SM5040855SN	SCREW				2
44	40053588	THREAD TRIMMER STM BASE ASSY				1
45	40056556	ASSY TT STM				1
46	SM5030455SF	SCREW M3 L=4				2
47	40067261	TT STM GEAR				1

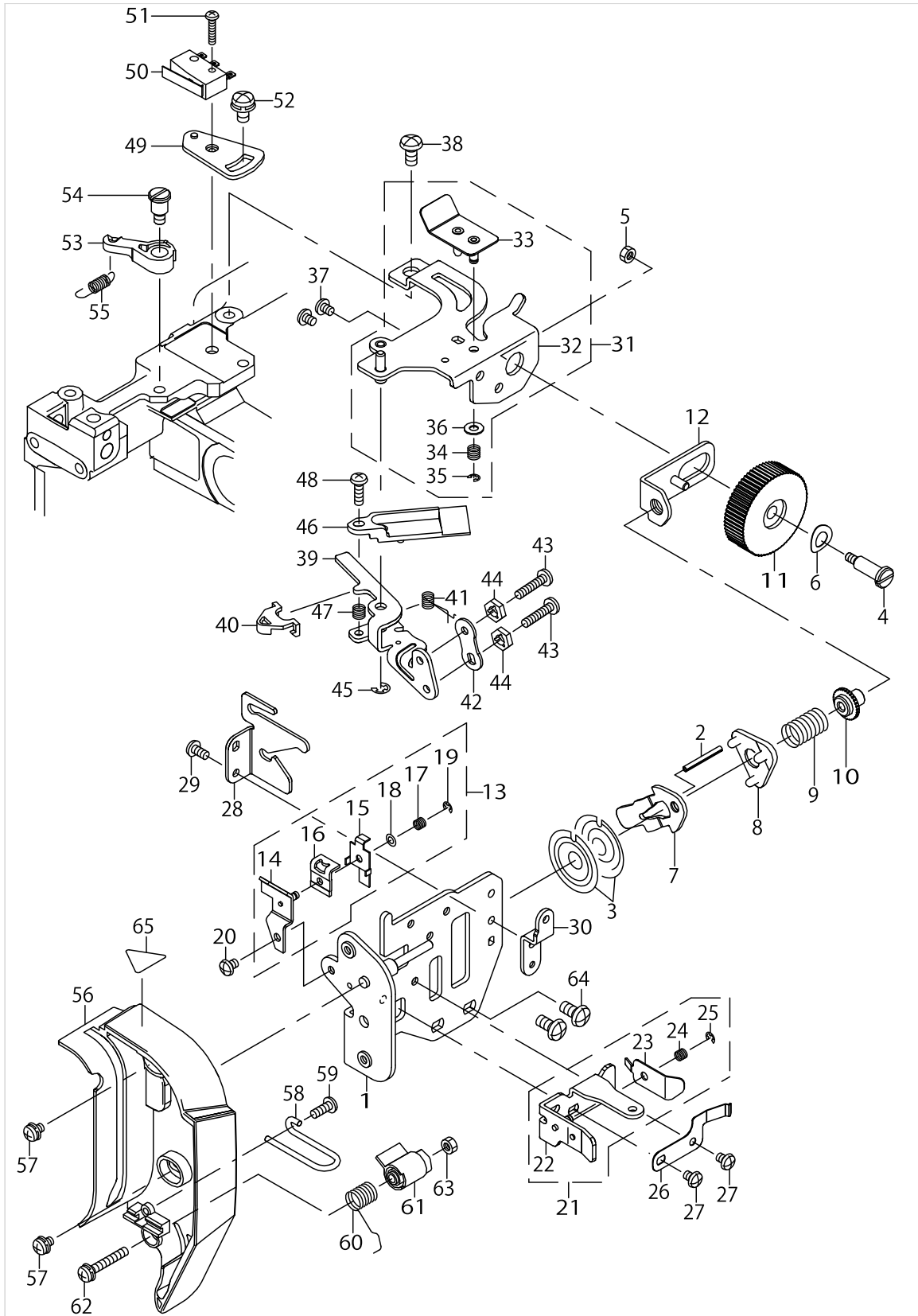
THREAD TRIMMER COMPONENTS



THREAD TRIMMER COMPONENTS

No.	Parts No.	Parts name	Remarks	Level	Cons	Qty
48	SM8030312TP	SCREW M3 L=3				2
49	40067671	CAM DRIVING GEAR R HOLDER				1
50	SL4030691SC	SCREW M3X6				2
51	40053585	CAM DRIVING GEAR R				1
52	SM8030312TP	SCREW M3 L=3				2
53	40053584	INTERMEDIATE GEAR				1
54	RE0400000K0	E-RING 4				1
55	40056564	ASSY TT STM ORG CIRCUIT BOARD				1
56	SL5030531SF	SCREW M3 L=5				1
57	40053641	TR PLATE LOWER ASSY				1
58	RE0400000K0	E-RING 4				1
59	WP0520516RZ	WASHER				1
60	SM5040855SN	SCREW				2
61	40053640	TR LINK LOWER				1
62	A2444500000	NUT				1
63	NM6860002MZ	NUT M2.6				1
64	40053637	TR LINK PLATE ASSY				1
65	40053632	TR CONNECT SHAFT				1
66	40053636	TENSION RELEASE SPRING				1
67	40053628	TR LINK UPPER				1
68	RE0400000K0	E-RING 4				1
69	RE0500000K0	E-RING 5				2
70	40055796	WIRE GUIDE A				1
71	SM5040855SN	SCREW				2
72	40078686	UT HOOK LEVER ASSY				1
73	RE0300000K0	E-RING 3				1
74	40078685	UT HOOK SPRING				1
75	40078690	UT HOOK LEVER SPRING				1

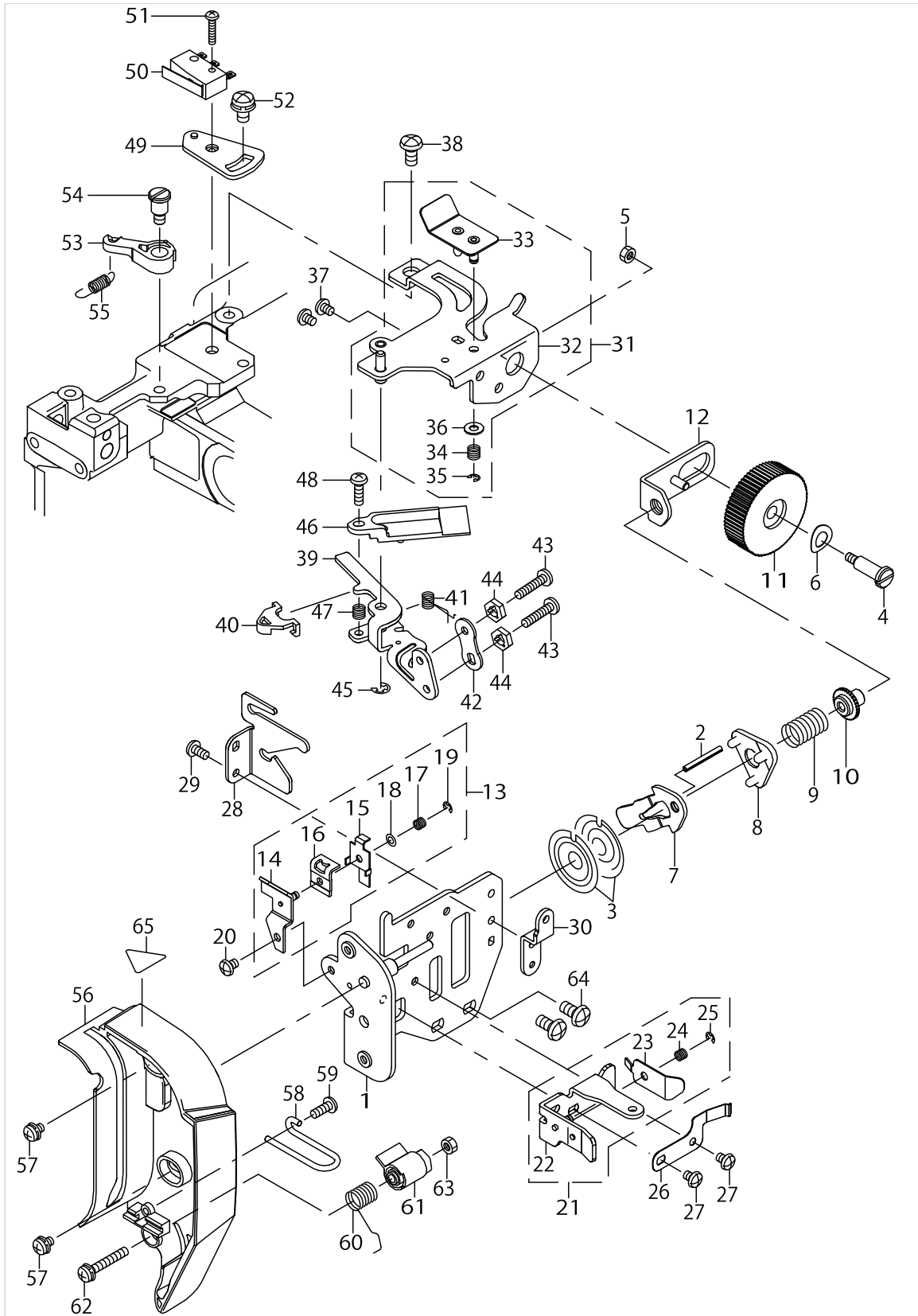
THREAD TENSION COMPONENTS



THREAD TENSION COMPONENTS

No.	Parts No.	Parts name	Remarks	Level	Cons	Qty
1	40053520	FACE PLATE ASSY				1
2	PS0200182KP	SPRING PIN TYPE W 2X18				1
3	A3910634000B	TENSION DISC				2
4	40066124	TT_DIAL_SHAFT				1
5	NM6030002SF	NUT M3				1
6	A2110700000	SPRING WASHER				1
7	40053525	DISC RELEASE PLATE				1
8	40055371	DISC HOLDER				1
9	40112878	THREAD TENSION SPRING				1
10	40053526	THREAD TENSION ADJUST NUT				1
11	40161989	TT DIAL FOREIGN				1
12	40053532	THREAD TENSION ADJUST PLATE ASM.				1
13	A3173E500B0	PRETENSION (MAS ASM.)				1
14	A3173E500A0	PRETENSION DISH ASM. LEFT		*		1
15	A3171T50000	PRETENSION LEVER		*		1
16	A3172T50000	PRETENSION DISC		*		1
17	A3175T70000	PRETENSION SPRING		*		1
18	WP0260116RZ	SPRING WASHER		*		1
19	RE0200000K0	E-RING 2		*		1
20	SM5030455SF	SCREW M3 L=4				1
21	40064573	ASSY SUB TENSION BASE				1
22	40062044	SUB TENSION BASE ASSY		*		1
23	40062047	SUB TENSION		*		1
24	40062048	SUB TENSION SPRING		*		1
25	RE0200000K0	E-RING 2		*		1
26	40053528	THREAD TENSION DIAL CLICK				1
27	SM5030655SN	SCREW M3X0.5 L=6				2
28	40057974	ARM THREAD GUIDE				1
29	SM5030655SN	SCREW M3X0.5 L=6				1
30	40058407	THREAD TENSION COVER BRACKET				1
31	40064704	ASSY BASE TENSION BASE				1
32	40055383	BASE TENSION BASE ASSY		*		1
33	40055384	BASE TENSION ASSY		*		1
34	40055420	BASE TENSION SPRING		*		1
35	RE0200000K0	E-RING 2		*		1
36	WP0320501SC	WASHER M3		*		1
37	SM5030455SF	SCREW M3 L=4				2
38	SM5040855SN	SCREW				1
39	40055561	RELEASE ARM				1
40	40133606	RELEASE_ARM_CAP				1
41	40055400	RELEASE ARM SPRING				1
42	40070286	RELEASE ARM SPACER				1
43	SM5031001SC	SCREW M3 L=10				2
44	174803004000	NUT				2
45	RE0300000K0	E-RING 3				1
46	40066195	BASE TENSION LIFTER				1
47	40066193	BASE TENSION LIFTER SPRING				1

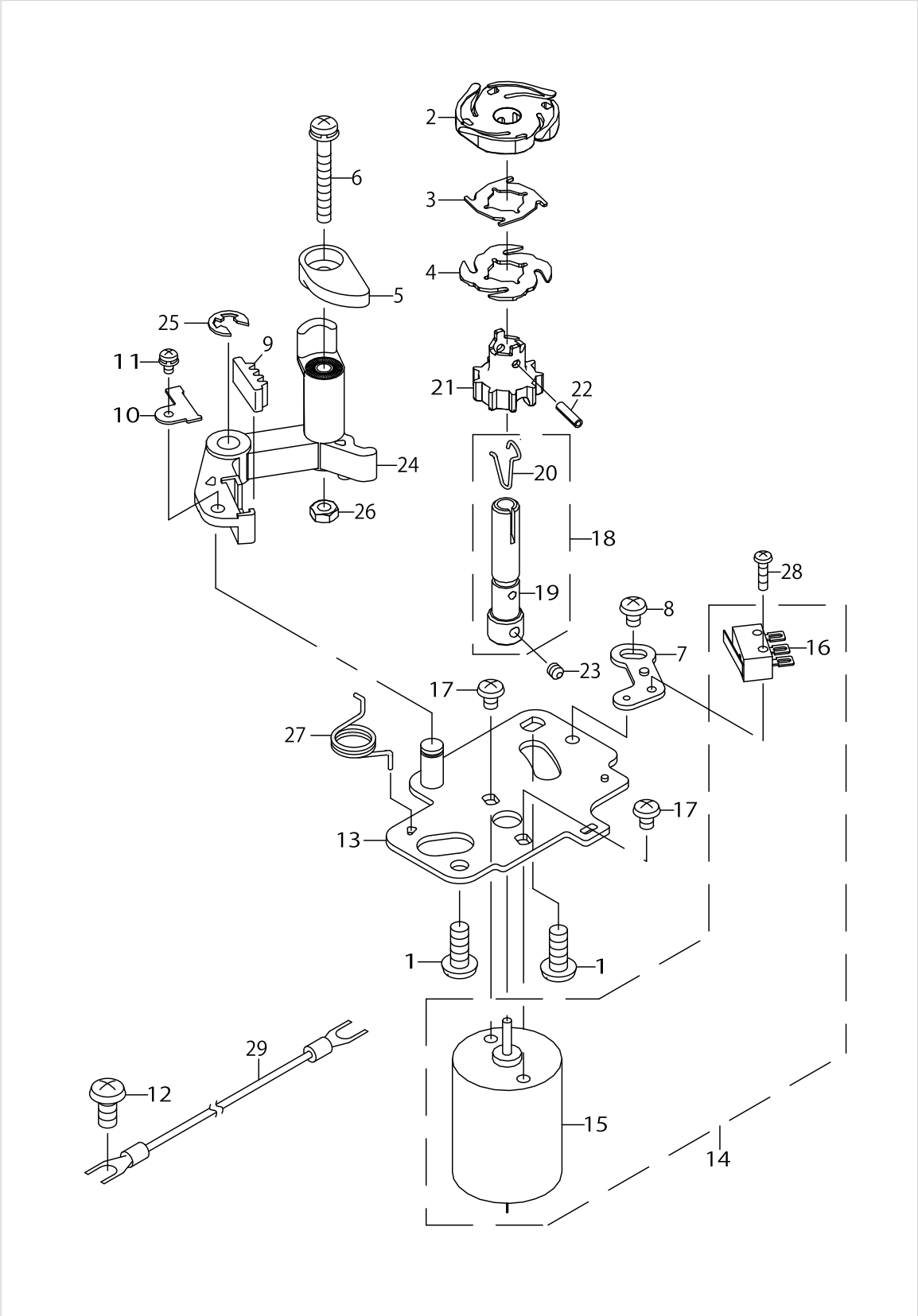
THREAD TENSION COMPONENTS



THREAD TENSION COMPONENTS

No.	Parts No.	Parts name	Remarks	Level	Cons	Qty
48	SM5031001SE	SCREW M3 L=10				1
49	40055385	PRESSER LIFTER SW BASE				1
50	40115936	ASSY OST SW				1
51	SM4831001SF	SCREW M2.3 L=10				1
52	SL5040835SN	SCREW				1
53	40055396	TENSION RELEASE ARM				1
54	40055397	TR ARM LOCATE SCREW				1
55	40161187	TR_ARM_SPRING				1
56	40059212	FACE PLATE COVER				1
57	SL4030591SC	SCREW M3X5				2
58	40055376	TAKE UP SPRING GUIDE				1
59	ST5030851SN	SCREW M5X8				1
60	40055377	TAKE UP SPRING				1
61	40055378	TAKE UP SPRING HOLDER				1
62	SL4032081SC	SCREW M3 L=20				1
63	NM6030002SF	NUT M3				1
64	SM5040855SN	SCREW				2
65	CM300200001	ATTENTION SEAL				1

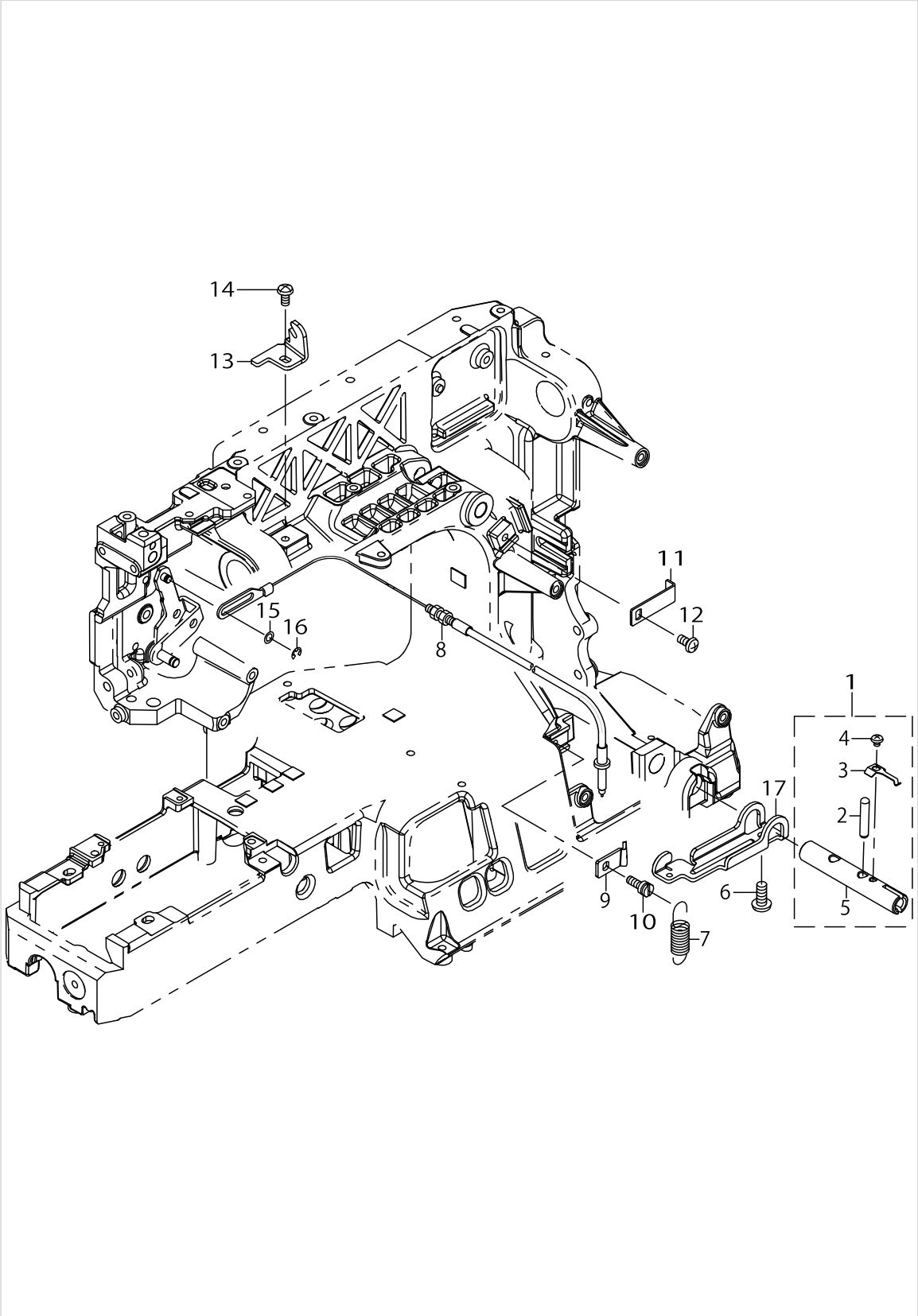
BOBBIN WINDER COMPONENTS



BOBBIN WINDER COMPONENTS

No.	Parts No.	Parts name	Remarks	Level	Cons	Qty
1	ST5041051SN	SCREW				2
2	40053671	BOBBIN RECEIVER				1
3	40053672	BOBBIN WINDER BLADE				1
4	40053673	BW BLADE HOLDER				1
5	40053677	BW ADJUST BODY				1
6	SL4032591SC	SCREW M3X25				1
7	40097680	SW BASE				1
8	SM5030655SN	SCREW M3X0.5 L=6				1
9	40076145	STOPPER RUBBER				1
10	40076146	RUBBER FIXING PLATE				1
11	SL4020491SC	SCREW M2 L=4				1
12	SM5040855SN	SCREW				1
13	40097677	BOBBIN WINDER BASE ASSY				1
14	40116031	ASSY_WIND_MOTOR				1
15	40065720	WIND MOTOR		*		1
16	HA00325000B	SWITCH		*		1
17	SM5030455SF	SCREW M3 L=4				2
18	40070287	ASSY BOBBIN WINDER SHAFT				1
19	40053670	BOBBIN WINDER SHAFT		*		1
20	40084023	BOBBIN STOPPER SPRING		*		1
21	40053680	STOPPER GEAR				1
22	PS0200082KP	STOPPER GEAR PIN				1
23	SM8030312TP	SCREW M3 L=3				1
24	40097679	BW ADJUST BASE				1
25	RE0400000K0	E-RING 4				1
26	NM6030002SF	NUT M3				1
27	40061796	BW SPRING				1
28	SM5020855SN	SCREW M2 L=8				1
29	40119549	ASSY WIND CODE				1

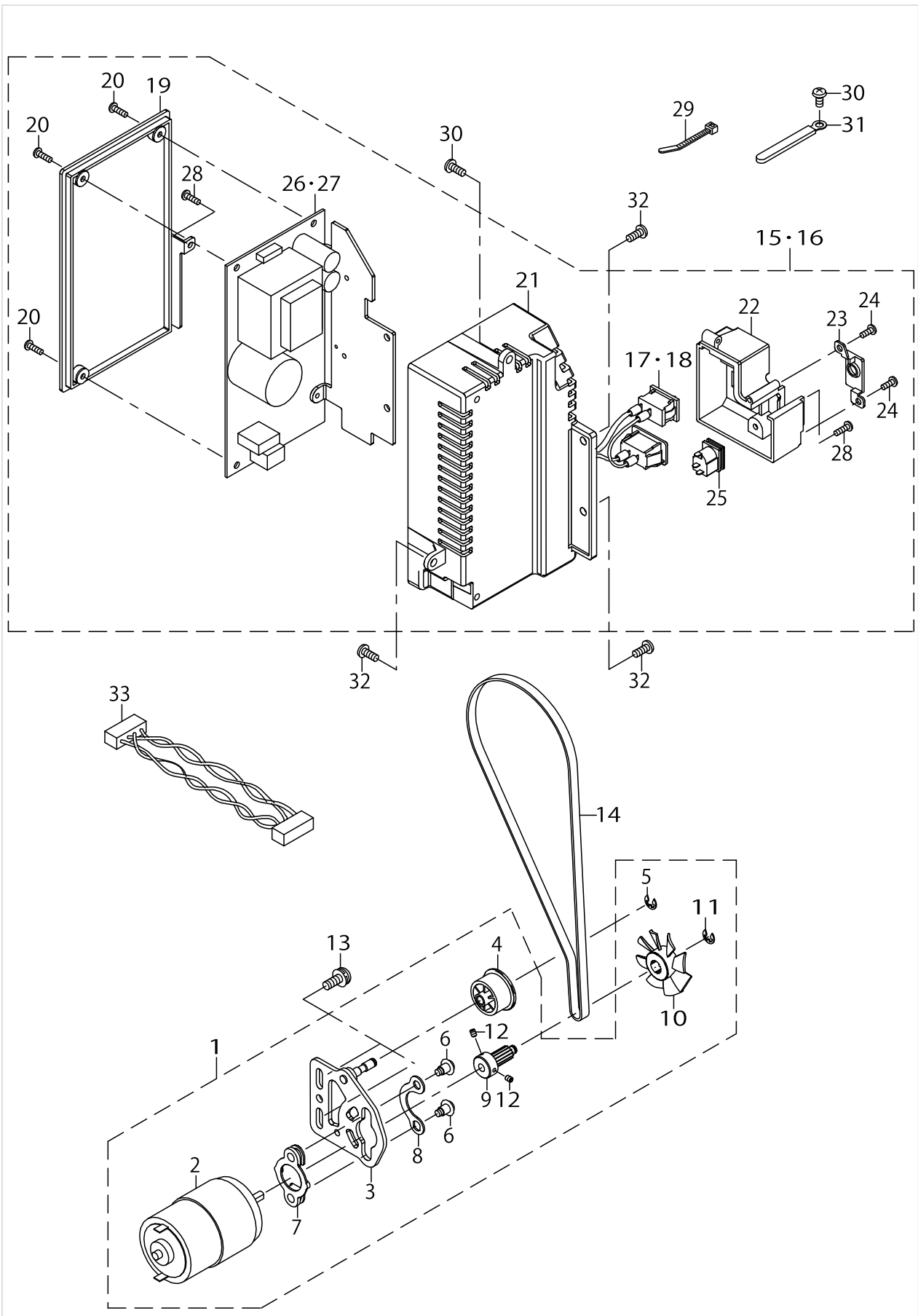
KNEE LIFTER COMPONENTS



KNEE LIFTER COMPONENTS

No.	Parts No.	Parts name	Remarks	Level	Cons	Qty
1	40084331	KNEE LIFTER SHAFT ASM.				1
2	A343301SZ00	STOPPER PIN		*		1
3	40053426	KL CLICK SPRING		*		1
4	SM4030301SC	SCREW M3 X 3		*		1
5	40053425	KNEE LIFTER CONNECT SHAFT		*		1
6	SM5051255SN	SCREW				1
7	40053427	KNEE LIFTER SPRING				1
8	40053446	KNEE LIFTER WIRE ASSY				1
9	40053428	WIRE TUBE HOLDER L				1
10	40053429	KL SPRING STUD				1
11	40064567	WIRE GUIDE B				1
12	SM5040855SN	SCREW				1
13	40055795	WIRE TUBE HOLDER U				1
14	SM5040855SN	SCREW				1
15	WP0410516RZ	WASHER				1
16	RE0300000K0	E-RING 3				1
17	40053424	KNEE LIFTER LEVER				1

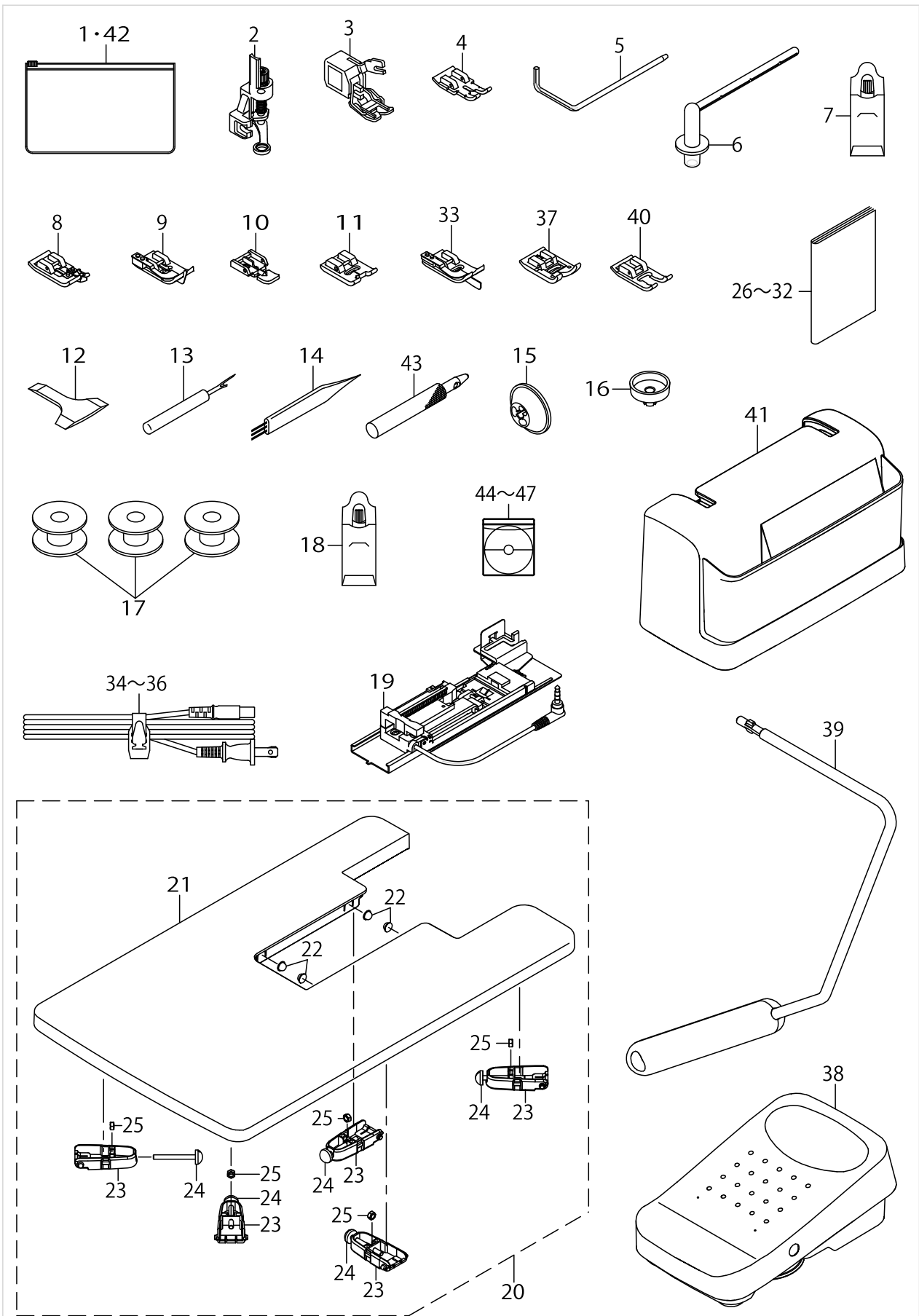
POWER SUPPLY & MAIN MOTOR COMPONENTS



POWER SUPPLY & MAIN MOTOR COMPONENTS

No.	Parts No.	Parts name	Remarks	Level	Cons	Qty
1	40120320	ALL ASSY MAIN MOTOR				1
2	40109087	ASSY MAIN MOTOR		*		1
3	40057951	MOTOR BRACKET ASSY		*		1
4	40056861	IDLER		*		1
5	RE0400000K0	E-RING 4		*		1
6	40057922	RUBBER WASHER SCREW		*		2
7	40062143	MOTOR SPACER		*		1
8	40066024	SPACER PLATE		*		1
9	40055830	MOTOR SHAFT PULLEY		*		1
10	40053472	MOTOR SHAFT PULLEY FLANGE		*		1
11	RE0400000K0	E-RING 4		*		1
12	SM8030612TP	SET SCREW		*		2
13	SL4051485SE	BASE PLATE SETSCREW				2
14	40057960	MOTOR TIMING BELT				1
15	40079000	ALL ASSY POWER SUPPLY	FOR UL			1
16	40078960	ALL ASSY POWER SUPPLY CE	FOR CE			1
17	40056541	ASSY POWER SW UL	FOR UL	*		1
18	40150471	ASSY_POWER_SW_CE	FOR CE	*		1
19	40053476	SWITCHING POWER SOURCE COVER L		*		1
20	ST5031051SN	TAPPING SCREW		*		3
21	40053475	SWITCHING POWER SOURCE COVER		*		1
22	40053474	INLET COVER		*		1
23	40058553	CONTROLLER JACK COVER		*		1
24	ST5030851SN	SCREW M5X8		*		2
25	40085940	ASSY_CONT_SOCKET		*		1
26	40120063	ASSY POWER SUPPLY	FOR CE	*		1
27	40120064	ASSY POWER SUPPLY UL	FOR UL	*		1
28	ST5031051SN	TAPPING SCREW		*		2
29	A407855000B	BAND				9
30	SM5040855SN	SCREW				2
31	A3811550000	CORD HOLDER				2
32	SM5041055SN	SCREW M4X10				4
33	40056552	ASSY POWER SUPPLY RELAY				1

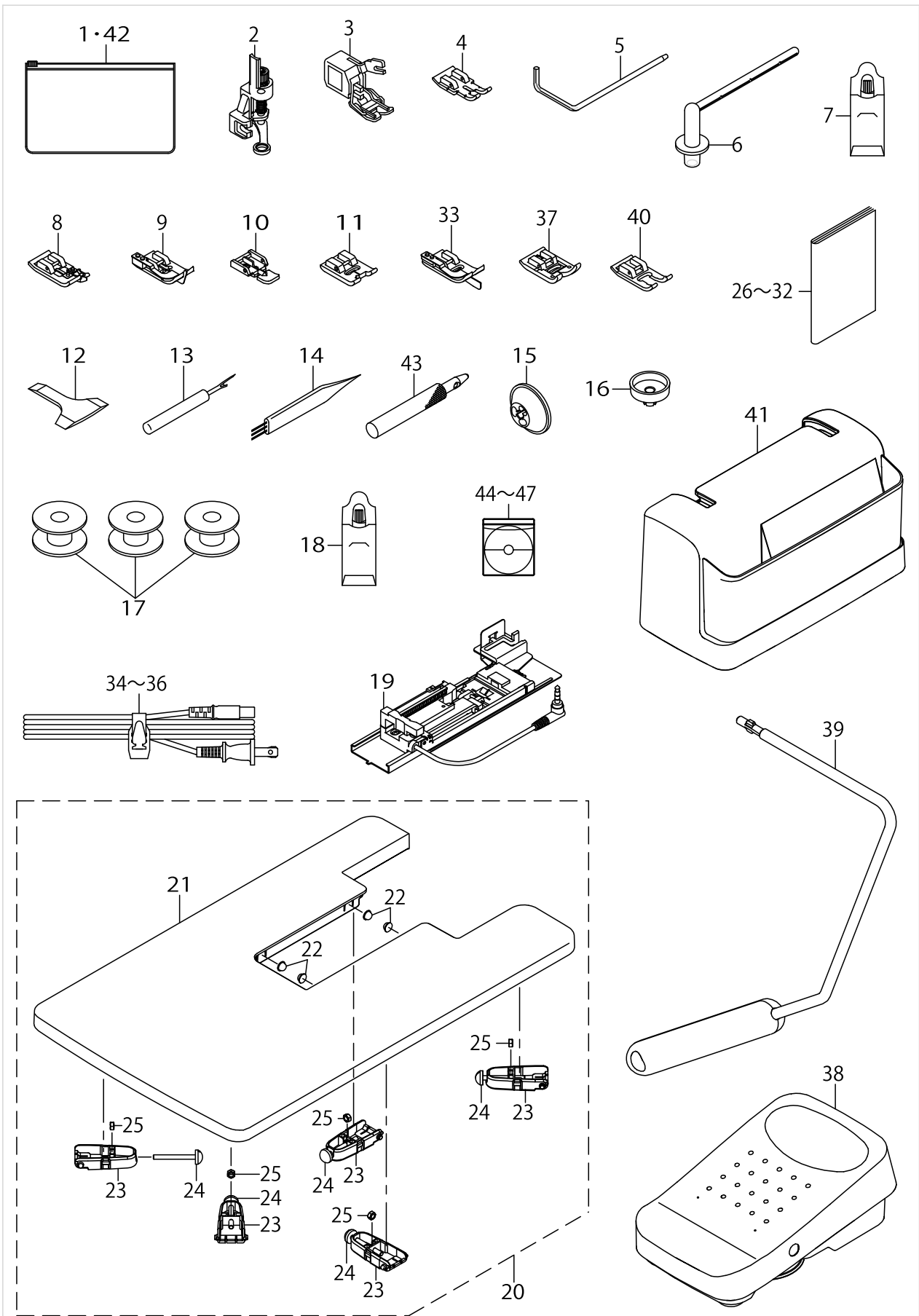
ACCESSORY PARTS COMPONENTS



ACCESSORY PARTS COMPONENTS

No.	Parts No.	Parts name	Remarks	Level	Cons	Qty
1	A9101550000	ACCESSORY BAG	FOR HZL-F400,HZL-F500,QM-700			1
2	40058561	ASSY QUILT PRESSER FOOT	FOR HZL-F600,HZL-F400,HZL-F7-00, HZL-F500,QM-900,QM-700			1
3	40057984	ASSY_UPPER_FEED_ATTACHMENT	FOR HZL-F600,HZL-F400,HZL-F7-00, HZL-F500,QM-900,QM-700			1
4	40059122	ASSY STRAIGHT PACHWORK FOOT	FOR HZL-F600,HZL-F400,HZL-F7-00, HZL-F500,QM-900,QM-700			1
5	A9134550000	RULER	FOR HZL-F600,HZL-F400,HZL-F7-00, HZL-F500,QM-900,QM-700			1
6	40058089	SUPPORT SPOOL PIN	FOR HZL-F600,HZL-F400,HZL-F7-00, HZL-F500,QM-900,QM-700			1
7	40083061	TWIN NEEDLE SET	FOR HZL-F600,HZL-F400,HZL-F7-00, HZL-F500,QM-900,QM-700			1
8	40059118	ASSY OVERCASTING FOOT				1
9	40059120	ASSY BLINDSTITCH FOOT				1
10	A91330100A0	ZIPPER FOOT ASM				1
11	40088332	TRANSPARENT BUTTONHOLE FOOT				1
12	A9110700000	SCREWDRIVER				1
13	A9131990000	SEAM RIPPER				1
14	A9137956000	BRUSH				1
15	A1150980000	SPOOL CAP				1
16	A114501SZ00	SMALL SPOOL CAP				1
17	001141000000	BOBBIN				3
18	40075804	NEEDLE SET				1
19	40057289	BH_PRESSER_FOOT_SET				1
20	40068038	ASSY WIDE TABLE	FOR HZL-F600,HZL-F700,QM-900			1
21	40059204	WIDE TABLE		*		1
22	A9503E50000	TABLE NON-SLIP		*		4
23	40070174	WIDE TABLE LEG		*		5
24	A9505E50000	SCREW		*		5
25	NM6050002SS	NUT M5		*		5
26	40121929	INSTRUCTION_MANUAL_A_(GB/ES/I/F)				1
27	40121930	INSTRUCTION_MANUAL_B_(GB/D/NL/RU)				1
28	40122553	INSTRUCTION_MANUAL_C_(GB)				1
29	40121931	INSTRUCTION_MANUAL_D_(KR)				1
30	40158076	INSTRUCTION_MANUAL_A_(GB/ES/I/F)				1
31	40158081	INSTRUCTION_MANUAL_B_(GB/D/NL/RU)				1
32	40161392	INSTRUCTION MANUAL QM				1
33	40059126	ASSY_CONCEALED_SEAM_FOOT	FOR HZL-F600,HZL-F700,QM-900			1
34	A44219800AF	ELECTRIC POWER CORD	FOR CE			1
35	A442101EZA0	ELECTRIC POWER CORD ASM.	FOR UL			1
36	40071949	POWER CORD SET (BS) (ASM.)	FOR BS			1
37	A920101S0A0A	DECORATIVE STTICH FOOT	FOR HZL-F600,HZL-F700,QM-900			1
38	40144123	FOOT_CONTROLLER_(FOR_ABROAD)_(ASM.)				1
39	40070255	ASSY_KNEE_LIFTER	FOR HZL-F600,HZL-F400,HZL-F7-00, HZL-F500,QM-900,QM-700			1
40	40059124	ASSY_OPEN_TOE_FOOT	FOR HZL-F600,HZL-F700,QM-900			1
41	40079514	ALL ASSY HARD CASE				1
42	A9121503000	ACCESSORY BAG	FOR HZL-F600,HZL-F700,QM-900			1
43	A9103880000	EYELET PUNCH	FOR HZL-F600,HZL-F700,QM-900			1
44	40123644	ASSY_INSTRUCTION_DVD_F_NTSC				1

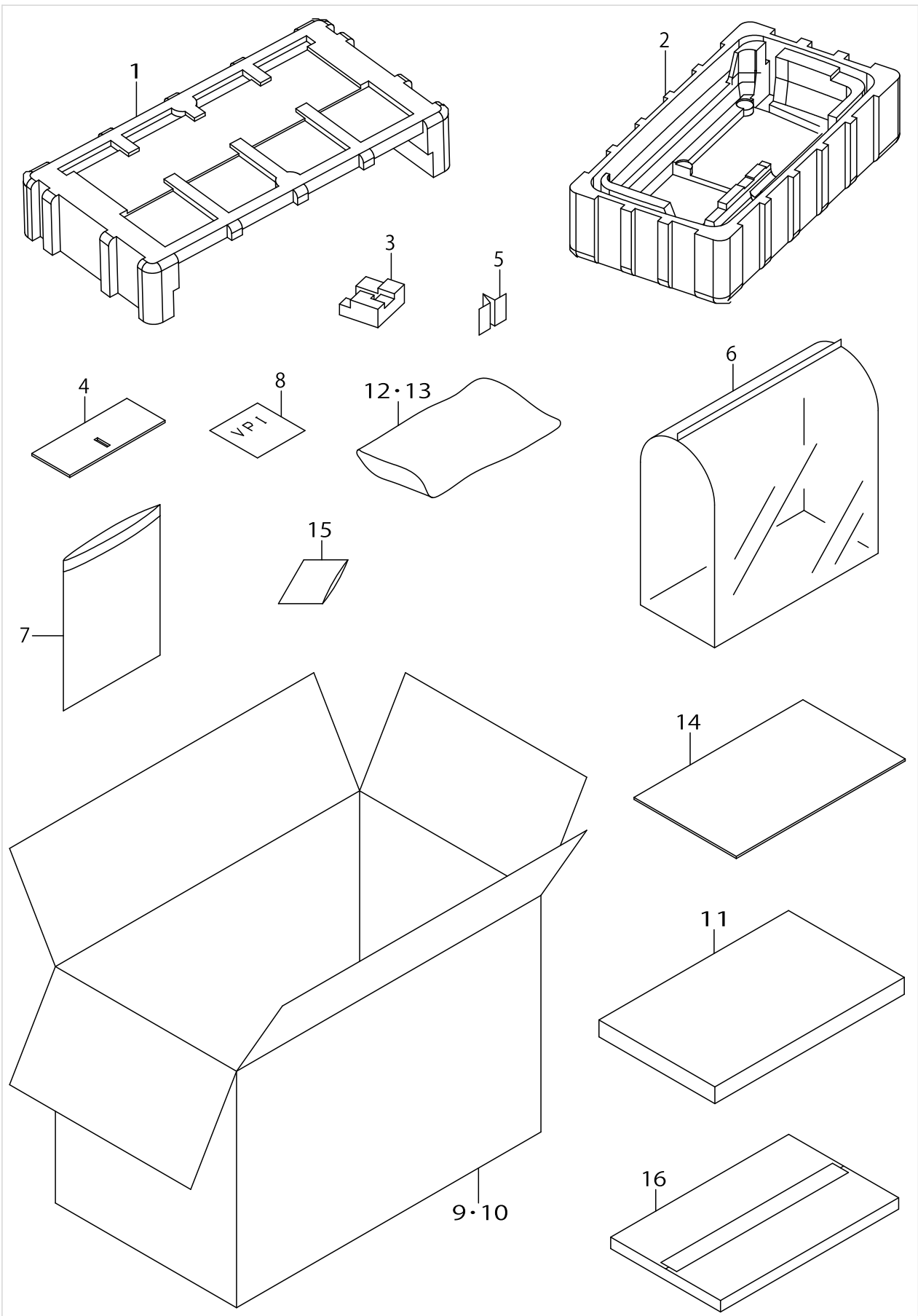
ACCESSORY PARTS COMPONENTS



ACCESSORY PARTS COMPONENTS

No.	Parts No.	Parts name	Remarks	Level	Cons	Qty
45	40123647	ASSY_INSTRUCTION_DVD_F_PAL				1
46	40158077	ASSY_INSTRUCTION_DVD_F700/500/370_PAL				1
47	40161393	ASSY INSTRUCTION DVD QM				1

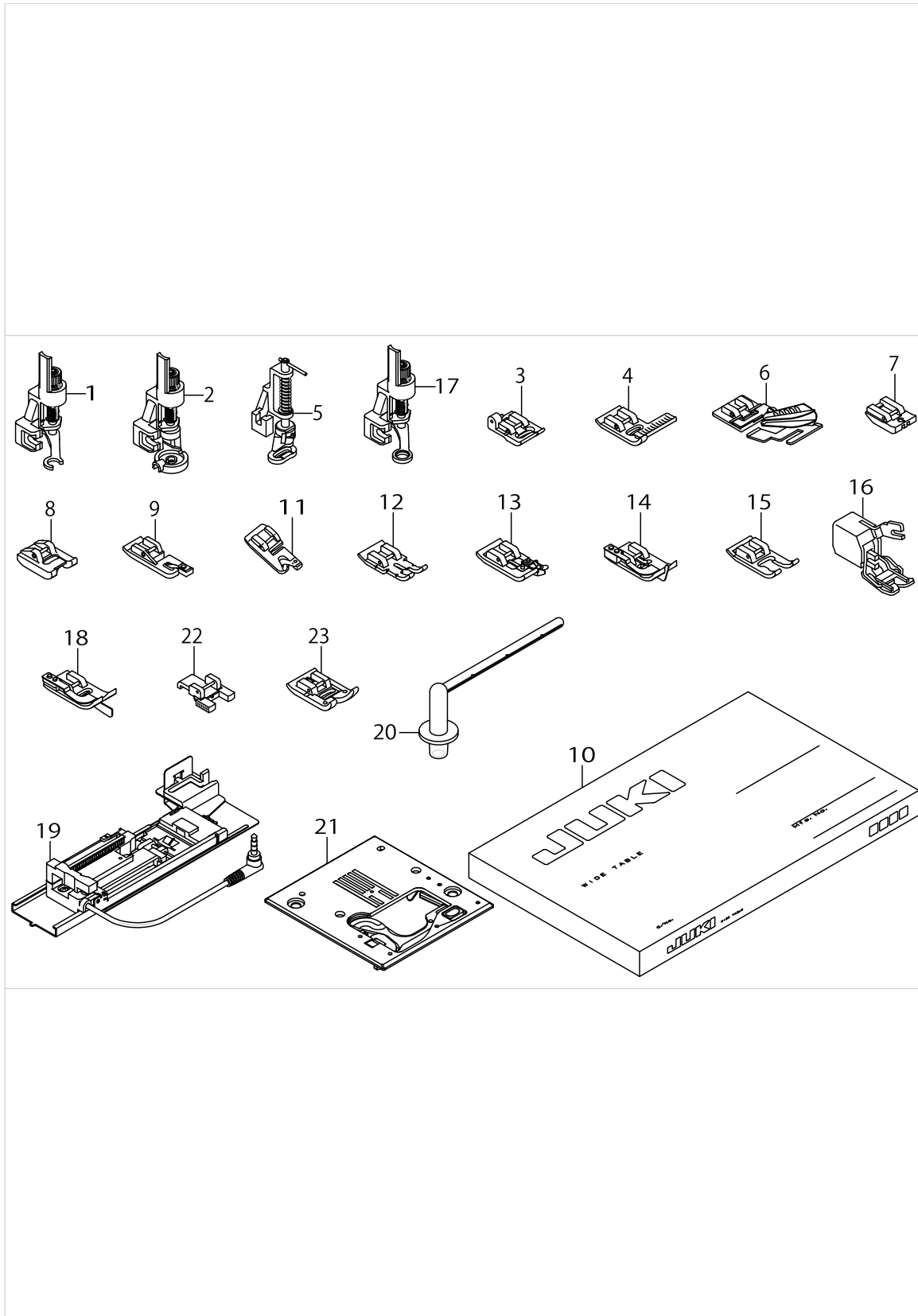
PACKING MATERIAL COMPONENTS



PACKING MATERIAL COMPONENTS

No.	Parts No.	Parts name	Remarks	Level	Cons	Qty
1	40078460	TOP CUSHIONING				1
2	40078461	BOTTOM CUSHIONING				1
3	40078462	TP CUSHIONING				1
4	40075778	ACCESSORY TRAY SPONGE				1
5	40078479	THREAD WAY PLATE PAPER				1
6	40090758	MACHINE COVER				2
7	A9181008000	VINYL				1
8	J0233500A00	VPI PAPER				1
9	40071987	OUTER PACKING CASE F				1
10	40161407	OUTER_PACKING_CASE_QM				1
11	40069617	WT PACKING CASE				1
12	A9513E50000	VINYL BAG	FOR HZL-F600,HZL-F700,QM-900			1
13	A5101008X00	VINYL SHEET	FOR HZL-F600,HZL-F400,HZL-F7-00, HZL-F500,QM-900,QM-700			1
14	40084369	WIDE TABLE PAD	FOR HZL-F600,HZL-F700,QM-900			1
15	J0231082A00	VINYL SHEEY				1
16	40079540	WIDE TABLE SPACER	FOR HZL-F400,HZL-F300,HZL-F500, HZL-F370,QM-700			1

OPTIONAL ACCESSORY PARTS COMPONENTS



OPTIONAL ACCESSORY PARTS COMPONENTS

No.	Parts No.	Parts name	Remarks	Level	Cons	Qty
1	40080949	BP OPEN QUILTING FOOT				1
2	40080950	BP FREE MOTION CORDING FOOT				1
3	40080951	BP APPLIQUE FOOT				1
4	40080952	BP STITCH GUIDE FOOT				1
5	40080953	BP CLEAR QUILTING FOOT				1
6	40080654	FOLDING PLATE A RIGHT				1
7	40080955	BP INVISIBLE ZIPPER FOOT				1
8	40080956	BP PEARL SEWING FOOT				1
9	40080957	BP ZIG ZAG ROLLED HEMMING FOOT				1
10	40078483	WIDE_TABLE_SET				1
11	40080958	BP ROLLED HEMMING FOOT				1
12	40080959	BP PACHWORK FOOT				1
13	40080960	BP OVERCASTING FOOT				1
14	40080961	BP BLINDSTITCH FOOT				1
15	40080962	BP OPEN TOE FOOT				1
16	40080963	BP EVEN FEED FOOT				1
17	40080964	BP QUILTING FOOT				1
18	40080965	BP EDGE STITCH FOOT				1
19	40080966	BP BH PRESSER FOOT				1
20	40080967	BP AUXILIARY SPOOL PIN				1
21	40080968	BP STRAIGHT STITCH THROAT PLATE				1
22	40080969	BP BUTTON SEWING FOOT				1
23	40079312	BLISTER BAG ASM(DEC STTICH FOOT)				1

HOW TO MAKE USE OF THIS PARTS LIST

- 1.As to "#01" and "#02" refer to the "Note" given at the bottom of the respective pages.
- 2.Codes on the "Qty" column
 - Each numeral indicates the number of parts required.
 - "0.1" and "2.5" indicate the length (in meters) of the respective parts.
- 3.Parentheses mean that the corresponding part is a subpart that constructs an assembly part.
- 4.Dotted lines on the Figures indicate assembly parts.

NUMERICAL INDEX OF PARTS

PART NO	PAGE	REF NO.	PART NO	PAGE	REF NO.	PART NO	PAGE	REF NO.
001141000000	26	47	40053584	32	53	40055403	16	14
001141000000	44	17	40053585	32	51	40055404	16	17
021112002000	26	33	40053586	30	9	40055405	16	18
041207008000	28	48	40053587	30	11	40055406	16	19
174803004000	34	44	40053588	30	44	40055408	16	27
174804008000	20	25	40053598	30	13	40055409	16	16
40051255	12	46	40053602	30	16	40055412	16	21
40053424	40	17	40053603	30	19	40055420	34	34
40053425	40	5	40053604	30	30	40055426	16	32
40053426	40	3	40053609	30	39	40055433	16	36
40053427	40	7	40053610	30	18	40055496	20	1
40053428	40	9	40053611	30	24	40055499	20	3
40053429	40	10	40053612	30	21	40055500	20	26
40053446	40	8	40053616	30	25	40055501	20	32
40053454	26	38	40053628	32	67	40055502	20	27
40053456	26	13	40053632	32	65	40055504	20	4
40053462	8	2	40053636	32	66	40055505	20	15
40053469	10	17	40053637	32	64	40055507	20	22
40053472	42	10	40053640	32	61	40055513	20	20
40053474	42	22	40053641	32	57	40055516	20	33
40053475	42	21	40053670	38	19	40055517	20	39
40053476	42	19	40053671	38	2	40055519	20	46
40053479	10	32	40053672	38	3	40055520	20	45
40053484	10	2	40053673	38	4	40055521	22	51
40053486	10	16	40053677	38	5	40055522	22	54
40053487	10	19	40053680	38	21	40055524	22	55
40053490	12	3	40053683	2	28	40055525	20	43
40053491	12	4	40053684	2	30	40055526	22	71
40053493	10	6	40053685	2	23	40055527	22	72
40053495	26	8	40053686	2	25	40055528	22	73
40053496	12	12	40055371	34	8	40055530	22	58
40053497	12	13	40055376	36	58	40055531	22	61
40053498	12	14	40055377	36	60	40055532	22	62
40053499	18	50	40055378	36	61	40055533	22	63
40053500	16	44	40055383	34	32	40055534	22	60
40053505	18	53	40055384	34	33	40055539	22	68
40053506	18	59	40055385	36	49	40055540	22	85
40053516	12	21	40055387	16	2	40055544	22	78
40053517	12	22	40055391	16	1	40055548	22	83
40053520	34	1	40055395	16	5	40055549	22	81
40053525	34	7	40055396	36	53	40055550	22	91
40053526	34	10	40055397	36	54	40055557	16	7
40053528	34	26	40055400	34	41	40055561	34	39
40053532	34	12	40055401	6	71	40055676	18	55
40053581	30	6	40055402	16	13	40055795	40	13

NUMERICAL INDEX OF PARTS

PART NO	PAGE	REF NO.	PART NO	PAGE	REF NO.	PART NO	PAGE	REF NO.
40055796	32	70	40057384	10	36	40059249	2	2
40055811	12	38	40057397	6	61	40059862	22	79
40055812	12	39	40057922	2	34	40060527	16	33
40055813	12	40	40057922	42	6	40060607	20	37
40055819	12	7	40057923	16	26	40060608	26	18
40055821	14	53	40057951	42	3	40060614	2	27
40055822	14	55	40057960	42	14	40061618	16	22
40055823	14	56	40057974	34	28	40061796	38	27
40055824	14	57	40057983	10	12	40062034	6	53
40055825	10	8	40057984	44	3	40062044	34	22
40055826	26	10	40057990	2	33	40062047	34	23
40055827	12	41	40057991	2	20	40062048	34	24
40055828	12	45	40058088	4	46	40062143	42	7
40055830	42	9	40058089	44	6	40062144	18	64
40055831	12	29	40058407	34	30	40062407	12	27
40055989	12	25	40058553	42	23	40062500	2	5
40056010	20	38	40058561	44	2	40062518	10	27
40056368	16	30	40058626	26	17	40064224	16	23
40056529	16	24	40058655	4	30·31	40064567	40	11
40056537	4	30·31	40059118	44	8	40064571	2	29
40056541	42	17·18	40059120	44	9	40064572	6	52
40056552	42	33	40059122	44	4	40064573	34	21
40056553	16	42	40059124	44	40	40064685	8	16
40056554	2	1	40059126	44	33	40064702	8	8
40056556	30	45	40059160	4	7	40064703	16	25
40056557	16	46	40059161	4	9	40064704	34	31
40056558	22	57	40059163	4	10	40064997	26	37
40056564	32	55	40059165	4	11	40065563	2	7
40056861	10	33	40059166	4	12	40065631	8	9
40056861	42	4	40059167	4	14	40065718	30	3
40056945	12	32	40059168	4	16	40065720	38	15
40056969	16	8	40059183	4	25	40066024	42	8
40056970	12	18	40059192	4	26~29	40066124	34	4
40056975	26	39	40059193	4	26~29	40066193	34	47
40056976	26	40	40059204	44	21	40066195	34	46
40057150	8	5	40059209	2	31	40066198	18	60
40057187	10	20	40059212	36	56	40066230	22	77
40057188	10	21	40059215	2	32	40066231	18	58
40057189	10	22	40059216	4	1·2	40066691	22	94
40057190	10	23	40059217	4	1·2	40067261	30	47
40057194	10	24	40059230	2	10	40067671	32	49
40057289	44	19	40059232	4	42	40068038	44	20
40057334	24	96	40059240	4	45	40069617	48	11
40057335	22	93	40059244	4	35~38	40069623	4	8
40057355	10	28	40059245	4	44	40069736	4	6

NUMERICAL INDEX OF PARTS

PART NO	PAGE	REF NO.	PART NO	PAGE	REF NO.	PART NO	PAGE	REF NO.
40070174	44	23	40079605	16	40	40099886	26	6
40070239	2	14	40079606	16	43	40107462	4	33·34
40070255	44	39	40080420	26	16	40107895	2	3
40070284	6	72	40080654	50	6	40107899	2	18
40070286	34	42	40080949	50	1	40107901	10	1
40070287	38	18	40080950	50	2	40107914	20	10
40070288	18	48	40080951	50	3	40107915	20	16
40071728	12	33	40080952	50	4	40107916	20	21
40071949	44	34~36	40080953	50	5	40107918	20	28
40071969	20	35	40080955	50	7	40107929	26	1
40071970	20	6	40080956	50	8	40108579	12	1
40071971	20	7	40080957	50	9	40108609	12	43
40071972	20	8	40080958	50	11	40108610	12	44
40071973	20	9	40080959	50	12	40108611	14	49
40071975	6	63~65	40080960	50	13	40108612	12	36
40071977	6	63~65	40080961	50	14	40109087	42	2
40071979	6	63~65	40080962	50	15	40112878	34	9
40071987	48	9·10	40080963	50	16	40115936	36	50
40072395	2	12	40080964	50	17	40116031	38	14
40072508	4	17~24	40080965	50	18	40119549	38	29
40072509	4	17~24	40080966	50	19	40120063	42	26·27
40072510	4	17~24	40080967	50	20	40120064	42	26·27
40072885	22	87	40080968	50	21	40120173	4	35~38
40075778	48	4	40080969	50	22	40120320	42	1
40075804	44	18	40081293	26	15	40120575	6	66~68
40076145	38	9	40083061	44	7	40120576	6	66~68
40076146	38	10	40084023	38	20	40120577	6	66~68
40076391	16	11	40084331	40	1	40121860	12	2
40076508	26	43	40084369	48	14	40121929	44	26~32
40078460	48	1	40084595	4	33·34	40121930	44	26~32
40078461	48	2	40085940	42	25	40121931	44	26~32
40078462	48	3	40088332	44	11	40122553	44	26~32
40078479	48	5	40090758	48	6	40123644	44	44~47
40078483	50	10	40094758	2	8·9	40123647	46	44~47
40078681	30	40	40097677	38	13	40125812	22	53
40078685	32	74	40097679	38	24	40133321	4	26~29
40078686	32	72	40097680	38	7	40133606	34	40
40078690	32	75	40098262	12	34	40135933	4	15
40078960	42	15·16	40098263	12	47	40135998	30	37
40079000	42	15·16	40098264	12	42	40136001	30	1
40079178	14	51	40098265	14	54	40136004	30	8
40079312	50	23	40098266	14	59	40136005	30	12
40079367	8	1	40098267	14	60	40136007	30	27
40079514	44	41	40098268	14	61	40136008	30	33
40079540	48	16	40098269	14	62	40136009	30	35

NUMERICAL INDEX OF PARTS

PART NO	PAGE	REF NO.	PART NO	PAGE	REF NO.	PART NO	PAGE	REF NO.
40137570	4	13	A1617030000	12	30	A407855000B	24	98
40137772	16	29	A1624010000	20	40	A407855000B	42	29
40143132	4	3	A1646010000	18	57	A442101EZA0	44	34~36
40143315	4	5	A1650008000A	22	66	A44219800AF	44	34~36
40144123	44	38	A1651008000	22	69	A5101008X00	48	12·13
40145841	26	12	A1654008000	22	89	A9101550000	44	1·42
40145842	28	49	A1658008000	22	70	A9103880000	44	43
40150471	42	17·18	A18090310A0	26	31	A9110700000	44	12
40152349	2	8·9	A1810E60000	26	2	A9121503000	44	1·42
40153334	4	17~24	A18300310A0	26	25	A9131990000	44	13
40157939	4	26~29	A1830E800B0	26	24	A91330100A0	44	10
40158070	4	17~24	A1830E800C0	26	23	A9134550000	44	5
40158076	44	26~32	A1831031000	26	28	A9137956000	44	14
40158077	46	44~47	A1832008000	26	26	A9181008000	48	7
40158081	44	26~32	A1833E50000	26	30	A920101S0A0A	44	37
40158089	4	17~24	A1840009000	26	19	A9503E50000	44	22
40161187	36	55	A1841S56000	26	20	A9505E50000	44	24
40161379	4	17~24	A1843030000	26	21	A9513E50000	48	12·13
40161384	4	35~38	A1844030000	26	22	CM300200001	36	65
40161392	44	26~32	A2110700000	16	35	CS1000881TP	10	4
40161393	46	44~47	A2110700000	22	67	HA00325000B	38	16
40161397	4	17~24	A2110700000	34	6	J0231082A00	48	15
40161402	4	35~38	A2444500000	32	62	J0233500A00	48	8
40161407	48	9·10	A3171T50000	34	15	MHA100B1400	12	11
40161989	34	11	A3172T50000	34	16	NM6030002SF	30	4
A1111A85000	8	3	A3173E500A0	34	14	NM6030002SF	34	63
A1114010000A	8	6	A3173E500B0	34	13	NM6030002SF	36	63
A1115A85000	8	10	A3175T70000	34	17	NM6030002SF	38	26
A1117008000	8	7	A3187010000	30	31	NM6040002SF	12	9
A1119010000	8	4	A3205555A00	2	13	NM6050002SS	44	25
A1138335000	8	17	A3205555A00	6	51	NM6860002MZ	32	63
A1138335000	26	42	A3205555A00	24	97	PH0300182C0	6	47
A1139030Z00	6	59	A3233731000	6	56	PS0200082KP	20	2
A114501SZ00	44	16	A3234550000	6	54	PS0200082KP	30	10
A1145E50000	6	49	A3235030Z00A	6	55	PS0200082KP	38	22
A1150980000	44	15	A3236880000	6	57	PS0200122KP	20	74
A1159770000	2	19	A3237880000	6	58	PS0200122KP	22	74
A1203030000	20	18	A343301SZ00	40	2	PS0200182KP	34	2
A1203030000	26	4	A3711010000A	2	11	PS0400222KP	10	3
A1206535000	22	49	A3711010000A	6	50	RC0370411KP	10	26
A1223010000	10	38	A3711010000A	8	15	RE0150000K0	30	17
A1412010000	12	5	A3711010000A	30	38	RE0200000K0	12	17
A1427010000A	12	19	A3811550000	6	70	RE0200000K0	30	41
A1456008000A	18	51	A3811550000	42	31	RE0200000K0	34	35
A1458A85000	12	37	A3910634000B	34	3	RE0300000K0	12	48

NUMERICAL INDEX OF PARTS

PART NO	PAGE	REF NO.	PART NO	PAGE	REF NO.	PART NO	PAGE	REF NO.
RE0300000K0	14	48	SL5030531SF	32	56	SM5041455SN	20	42
RE0300000K0	16	3	SL5040835SN	36	52	SM5051255SN	40	6
RE0300000K0	20	88	SL6041692TN	26	9	SM8030312TP	2	15
RE0300000K0	22	88	SM1040801SN	16	39	SM8030312TP	10	29
RE0300000K0	30	73	SM4020201SC	8	12	SM8030312TP	12	31
RE0300000K0	32	73	SM4020301SC	8	13	SM8030312TP	18	49
RE0300000K0	34	45	SM4020401SC	22	64	SM8030312TP	22	59
RE0300000K0	40	16	SM4030301SC	40	4	SM8030312TP	30	52
RE0400000K0	2	4	SM4831001SF	36	51	SM8030312TP	32	52
RE0400000K0	10	34	SM5020301SC	26	41	SM8030312TP	38	23
RE0400000K0	16	62	SM5020501SC	8	14	SM8030612TP	20	41
RE0400000K0	18	62	SM5020855SN	12	10	SM8030612TP	42	12
RE0400000K0	20	95	SM5020855SN	38	28	SM8040412TP	12	20
RE0400000K0	22	95	SM5030455SF	16	47	SM8040412TP	20	56
RE0400000K0	24	95	SM5030455SF	30	46	SM8040412TP	22	56
RE0400000K0	30	68	SM5030455SF	34	37	SM8040412TP	26	34
RE0400000K0	32	68	SM5030455SF	38	17	SM8050512TP	10	37
RE0400000K0	38	25	SM5030655SN	16	56	SM8050602TP	16	20
RE0400000K0	42	11	SM5030655SN	18	56	ST5030851SN	2	17
RE0500000K0	22	75	SM5030655SN	20	36	ST5030851SN	4	32
RE0500000K0	32	69	SM5030655SN	26	50	ST5030851SN	14	58
RE0600000K0	10	25	SM5030655SN	28	50	ST5030851SN	36	59
RE0700000K0	20	17	SM5030655SN	30	36	ST5030851SN	42	24
RE0700000K0	26	3	SM5030655SN	34	29	ST5031051SN	4	60
RE0800000K0	10	15	SM5030655SN	38	8	ST5031051SN	6	60
RE0800000K0	22	48	SM5031001SC	34	43	ST5031051SN	42	28
RO133170100	10	7	SM5031001SE	36	48	ST5031251SF	4	4
SL4020491SC	38	11	SM5040855SN	2	35	ST5041051SN	38	1
SL4030591SC	36	57	SM5040855SN	4	69	WP0250501SC	22	65
SL4030691SC	4	62	SM5040855SN	6	69	WP0260116RZ	34	18
SL4030691SC	6	62	SM5040855SN	10	35	WP0310516RZ	30	42
SL4030691SC	16	61	SM5040855SN	12	28	WP0320501SC	34	36
SL4030691SC	18	61	SM5040855SN	16	45	WP0330816SF	12	26
SL4030691SC	30	50	SM5040855SN	20	92	WP0330816SF	16	4
SL4030691SC	32	50	SM5040855SN	22	92	WP0410516RZ	20	14
SL4030891SC	6	73	SM5040855SN	26	44	WP0410516RZ	30	23
SL4030891SC	16	52	SM5040855SN	30	71	WP0410516RZ	40	15
SL4030891SC	18	52	SM5040855SN	32	71	WP0520516RZ	18	63
SL4030891SC	22	80	SM5040855SN	34	64	WP0520516RZ	20	29
SL4030891SC	30	29	SM5040855SN	36	64	WP0520516RZ	30	59
SL4031091SC	16	28	SM5040855SN	38	12	WP0520516RZ	32	59
SL4032081SC	36	62	SM5040855SN	40	14	WP0620516RZ	26	45
SL4032591SC	38	6	SM5040855SN	42	30	WP0621016SD	22	76
SL4040691SC	12	24	SM5041055SN	42	32	WP1021016SD	22	50
SL4051485SE	42	13	SM5041455SN	10	31	WZ0320290UZ	12	15