

MODEL : TL-98P/98Q

List No : 6012-02

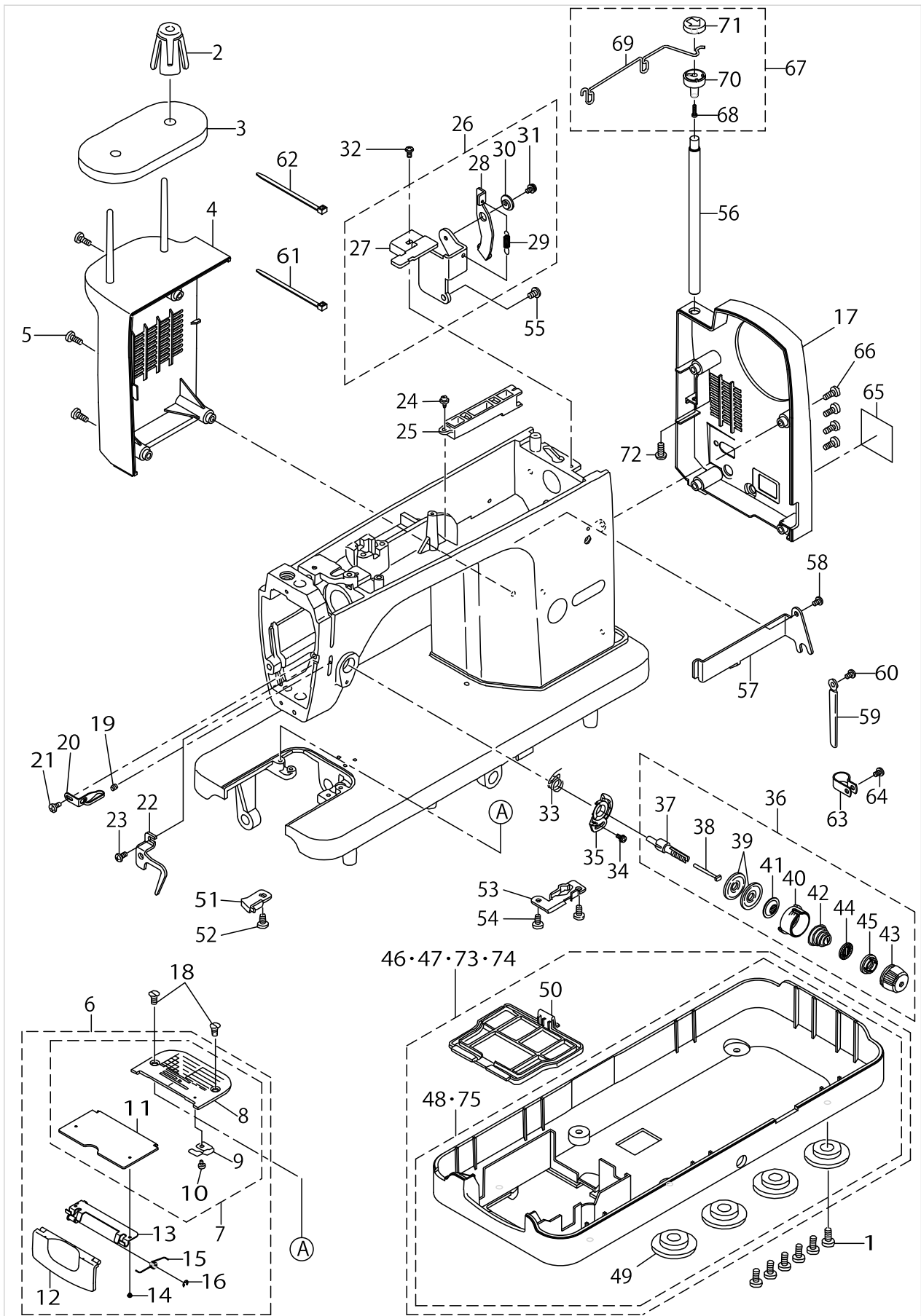
PARTS LIST

Published:09/10/2017

CONTENTS

HEAD AND OUTER COMPONENTS	1
ARM COVER, FACE PLATE AND LAMP COMPONENTS	5
MAIN SHAFT, THREAD TAKE-UP AND IDLER COMPONENTS	9
NEEDLE BAR, HOOK DRIVING SHAFT AND THREADER COMPONENTS	11
FEED MECHANISM COMPONENTS.....	15
DROP FEED KNOB COMPONENTS.....	19
PRESSER, KNEE LIFTER, WIRE HOLDER AND THREAD RELEASE COMPONENTS	21
MOTOR AND MAIN CIRCUIT BOARD COMPONENTS	25
MOVING KNIFE, LOOPER AND THREAD TRIMMER SOLENOID COMPONENTS	29
ACCESSORIES AND PACKING COMPONENTS	33
SEPARATELY-SOLD COMPONENTS	37
HOW TO MAKE USE OF THIS PARTS LIST	39

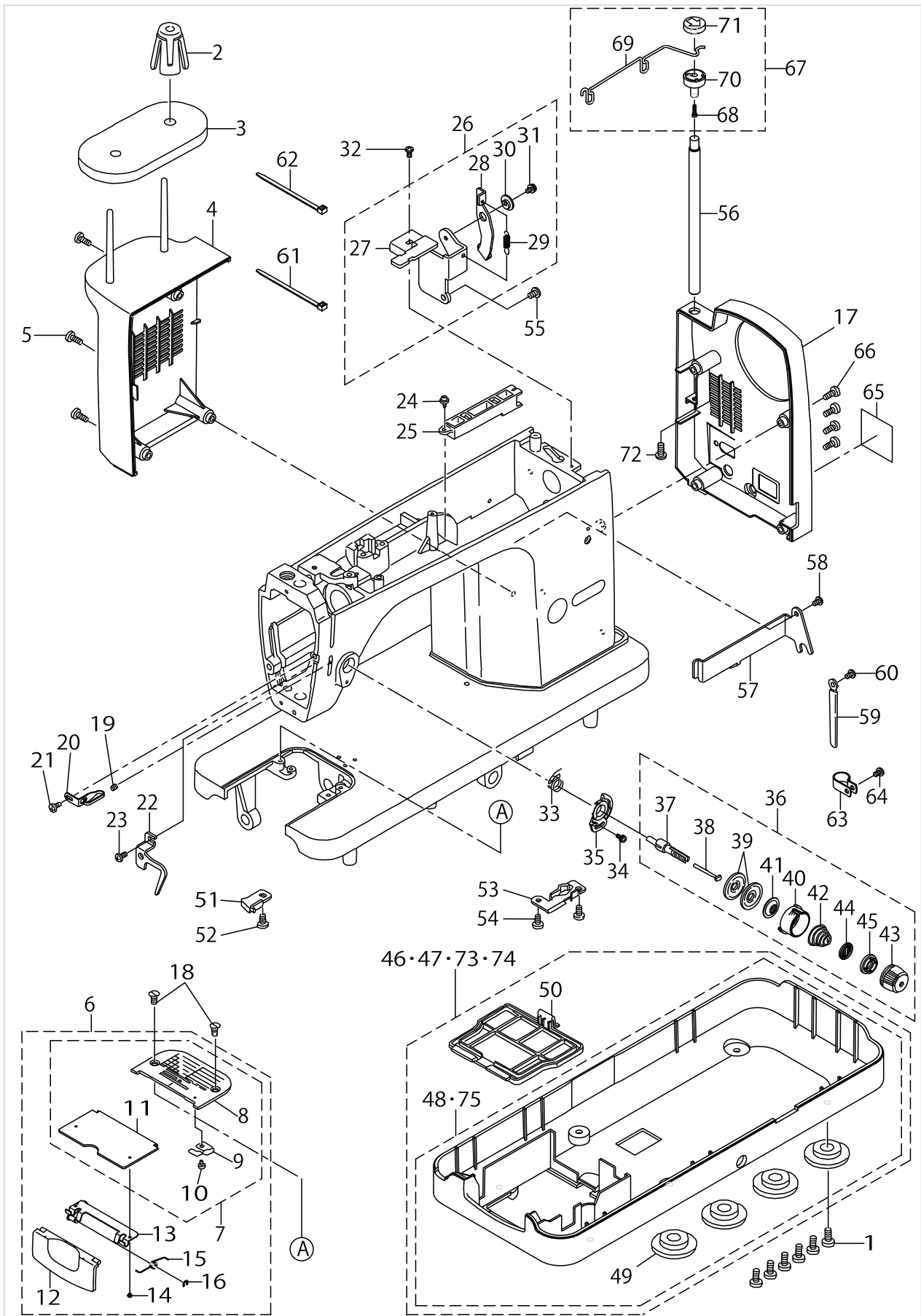
HEAD AND OUTER COMPONENTS



HEAD AND OUTER COMPONENTS

No.	Parts No.	Parts name	Remarks	Level	Cons	Qty
1	SM5051255SN	SCREW				6
2	A1120202000	BOBBINWINDERDEFLECTIONSTOPPER				1
3	A1121090000	BOBBIN WINDER SHEET				1
4	A7105D25000	MOTOR COVER				1
5	SM5041255SN	SCREW				3
6	A1109E98ZC0	NEEDLE PLATE WHOLE MAS. ASM.				1
7	A1109E98ZB0	NEEDLE PLATE MAS. ASM.		*		1
8	A1109E98Z00	NEEDLE PLATE		*		1
9	A1112090000	SPRING		*		1
10	SM4020201SC	SCREW		*		1
11	A1110D980A0	BOBBIN CASE COVER ASM.		*		1
12	A1112D98000	SIDE COVER		*		1
13	A1113E98ZA0	STOPPER PLATE ASM.		*		1
14	SM4020201SC	SCREW		*		2
15	A1118E98Z00	SPRING		*		1
16	RE0300000K0	E-RING		*		1
17	A7103D25000	BELT COVER				1
18	SM1040800SL	SCREW				2
19	SM8040602TP	SCREW				1
20	A3114D25000	THREAD GUIDE				1
21	SM5030655SN	SCREW				1
22	A3135096000	THREAD TENSION THREAD GUIDE				1
23	SM4040855SP	SCREW				1
24	SL5030831SF	SCREW				1
25	A5001090000	CORD GUIDE				1
26	A50000960A0	CORD GUIDE PLATE ASM.				1
27	A5000096000	CORD GUIDE PLATE		*		1
28	A5002096000	CLUTCH PLATE		*		1
29	A3206030000	SPRING		*		1
30	A2435033000	LINK COLLAR		*		1
31	SL5030635SN	SCREW		*		1
32	SM5030655SN	SCREW				1
33	A3128098000	THREAD TAKE-UP SPRING				1
34	SL5030801SN	SCREW				1
35	A3111D98000	ADJUSTING PLATE				1
36	A3122D250A0	THREAD TENSIONER ASM.				1
37	A311209000AA	THREAD TENSION POST		*		1
38	A3127090000B	TENSION RELEASE PIN		*		1
39	B3126012000	THREAD TENSION DISK		*		2
40	A3132D98000	DISK PRESSER		*		1
41	A3133D98000	DISK PRESSER PLATE		*		1
42	B3129012A00	THREAD TENSION SPRING A		*		1
43	A3124D25000	KNOB		*		1
44	B3120125000	ROTATION STOPPER		*		1
45	A3124096A00	KNOB RATCHET		*		1
46	A116098PZB0B	BED COVER MAS. ASM.	FOR CE,BS,CHN			1
47	A1160Q98ZB0B	BED COVER MAS. ASM.	FOR UL			1

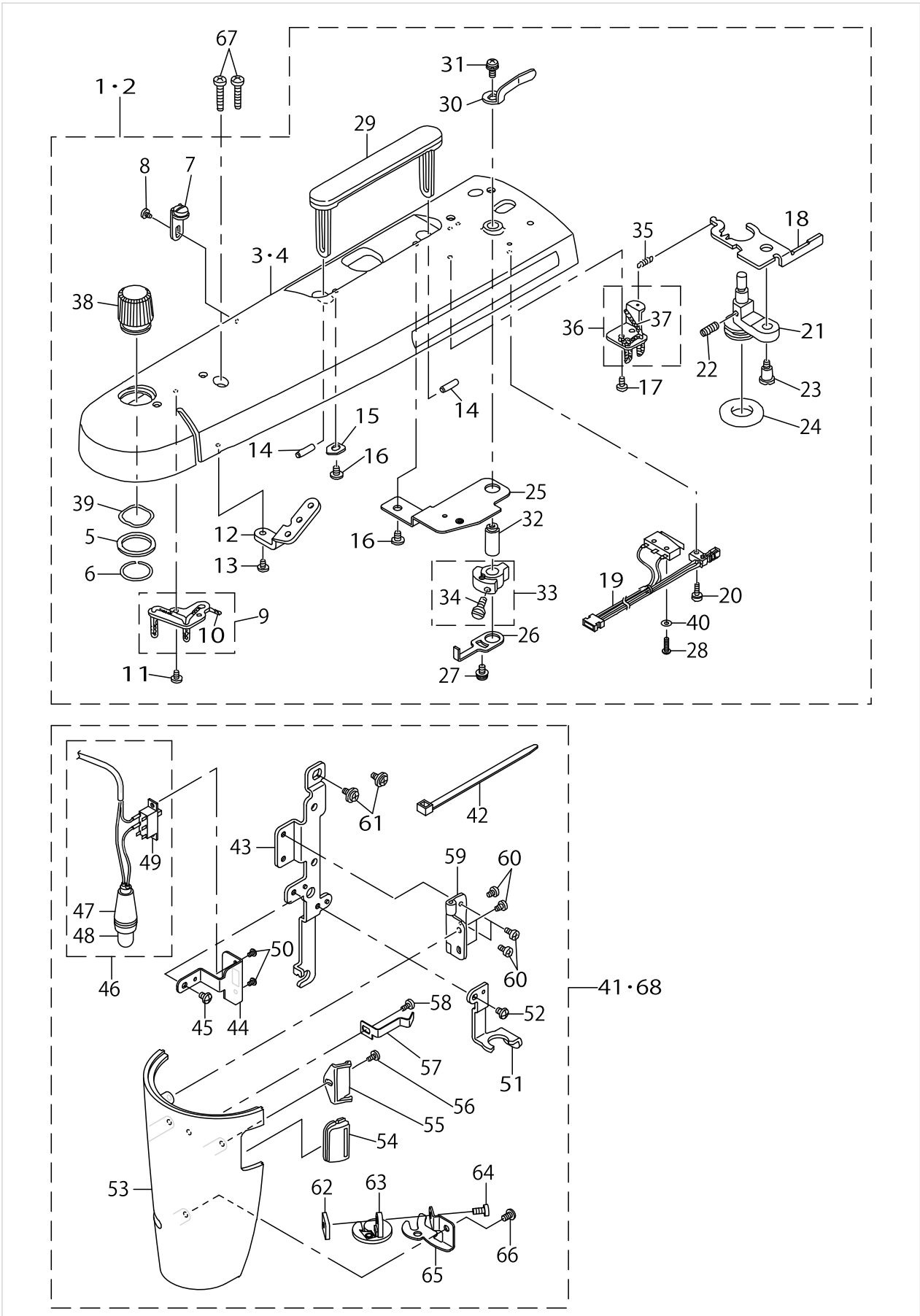
HEAD AND OUTER COMPONENTS



HEAD AND OUTER COMPONENTS

No.	Parts No.	Parts name	Remarks	Level	Cons	Qty
48	A1160E98ZA0	BED COVER ASM.	FOR CE,UL,AUS,BS,CHN	*		1
49	A116009000A	RUBBER SEAT		*		4
50	A1161090000	BED COVER LID		*		1
51	A8521090000	AUXI.TABLE SUPPORTING PLATE A				1
52	SM5040855SN	SCREW				1
53	A8522090000	AUXI.TABLE SUPPORTING PLATE B				1
54	SM5040855SN	SCREW		*		2
55	SM5040655SN	SCREW		*		1
56	A1120334000	SUPPORTING ROD		*		1
57	A4502E98Z00	CORD GUIDE POST				1
58	SM5040601SE	SCREW				1
59	A3811550000	CORD HOLDER	FOR UL			1
60	SM5040601SE	SCREW	FOR UL			1
61	A407855000B	CLIP BAND				1
62	A407855000B	CLIP BAND				1
63	HX00150000F	CABLE CLIP	FOR CE,AUS,BS,CHN,KOR			1
64	SM5040655SN	SCREW	FOR CE,AUS,BS,CHN,KOR			1
65	A7103E98Z0A	WARNING LABEL FOR POWER SUPPLY CORD				1
66	SM5041055SN	SCREW				4
67	A1116D250A0	THREAD GUIDE ASM.				1
68	ST4861051SN	SCREW		*		1
69	A1116D25000	THREAD GUIDE		*		1
70	A1121313000	THREAD GUIDE BASE		*		1
71	A1120313000	THREAD GUIDE TOP		*		1
72	SM5051255SN	SCREW				1
73	40068159	BED_COVER_MAS._ASM.	FOR SAS			1
74	40080439	BED_COVER_MAS._ASM.	FOR KRO			1
75	40080438	BED_COVER_ASM.	FOR KRO	*		1

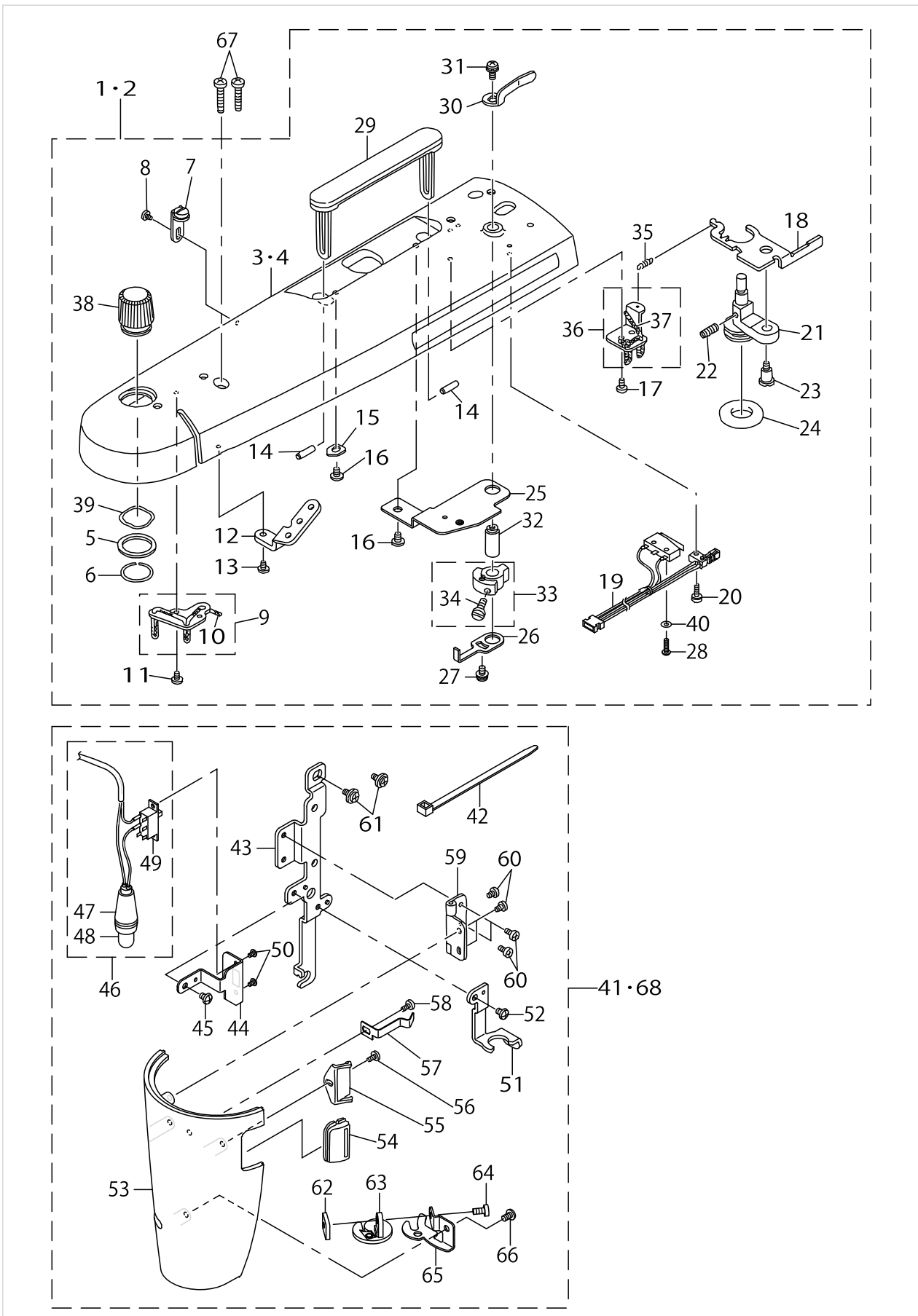
ARM COVER, FACE PLATE AND LAMP COMPONENTS



ARM COVER, FACE PLATE AND LAMP COMPONENTS

No.	Parts No.	Parts name	Remarks	Level	Cons	Qty
1	A113598PXB0	ARM COVER FULL ASM	FOR CE,AUS,BS,CHN,KOR			1
2	A1135Q98ZB0A	ARM COVER MAS. ASM.	FOR UL			1
3	A113598PXA0	ARM COVER ASM	FOR CE,AUS,BS,CHN,KOR	*		1
4	A1135Q98ZA0A	ARM COVER ASM.	FOR UL	*		1
5	A150209000B	WASHER		*		1
6	A150209000A	STOP RING		*		1
7	A32319570A0	THREAD GUIDE BASE ASM.		*		1
8	SM5030655SN	SCREW		*		1
9	A11360900AA	STOPPER PLATE A ASM.		*		1
10	A113809000A	OIL WICK A		*		1
11	SM5030655SN	SCREW		*		1
12	A1128096000	THREAD GUIDE NO.1		*		1
13	SM5030655SN	SCREW		*		1
14	A1137090000	HANDLE GUIDE SHAFT		*		2
15	A1138500000A	WASHER		*		1
16	SM5040655SN	SCREW		*		2
17	SM5030655SN	SCREW		*		1
18	A3221096000	ADJUSTING PLATE		*		1
19	A32260960A0A	BOBBIN WINDER SWITCH ASM.		*		1
20	SL5031031SE	SCREW		*		1
21	A32040900A0	BOBBIN WINDER ASM.		*		1
22	A3208X28000	SPRING		*		1
23	A3205090000	SCREW		*		1
24	A321600100A	RUBBER RING		*		1
25	A3235096000	BOBBIN WINDER SWITCH INSTALLING PLATE		*		1
26	A3236096000	CONTACT PLATE		*		1
27	SL5030635SN	SCREW		*		1
28	SM4831001SF	SCREW		*		1
29	A11340900A0	HANDLE ASM.		*		1
30	A3217072000	BOBBIN HOLDER		*		1
31	SL5030801SN	SCREW		*		1
32	A3218096000	BOBBIN HOLDER SHAFT		*		1
33	A32190960A0	BOBBIN WINDER CONTROLLER ASM.		*		1
34	SM4041055SF	SCREW		*		1
35	A3222090000	SPRING		*		1
36	A11360900AB	OIL WICK HOLDER PLATE B ASM.		*		1
37	A113809000B	OIL WICK B		*		1
38	A1502090000	KNOB		*		1
39	A150209000C	WASHER		*		1
40	WP0250501SC	WASHER		*		1
41	A3805Q98ZA0	FACE PLATE ASM.	FOR CE,UL,AUS,BS,CHN			1
42	A407855000B	LAMP CLIP BAND		*		2
43	A3805096000	FACE PLATE		*		1
44	A3802096000	LAMP SWITCH INSTALLING PLATE		*		1
45	SM5030455SF	SCREW		*		1
46	A3801D250A0	LAMP COCKET ASM.		*		1
47	A3801D25000	LAMP COCKET		*		1

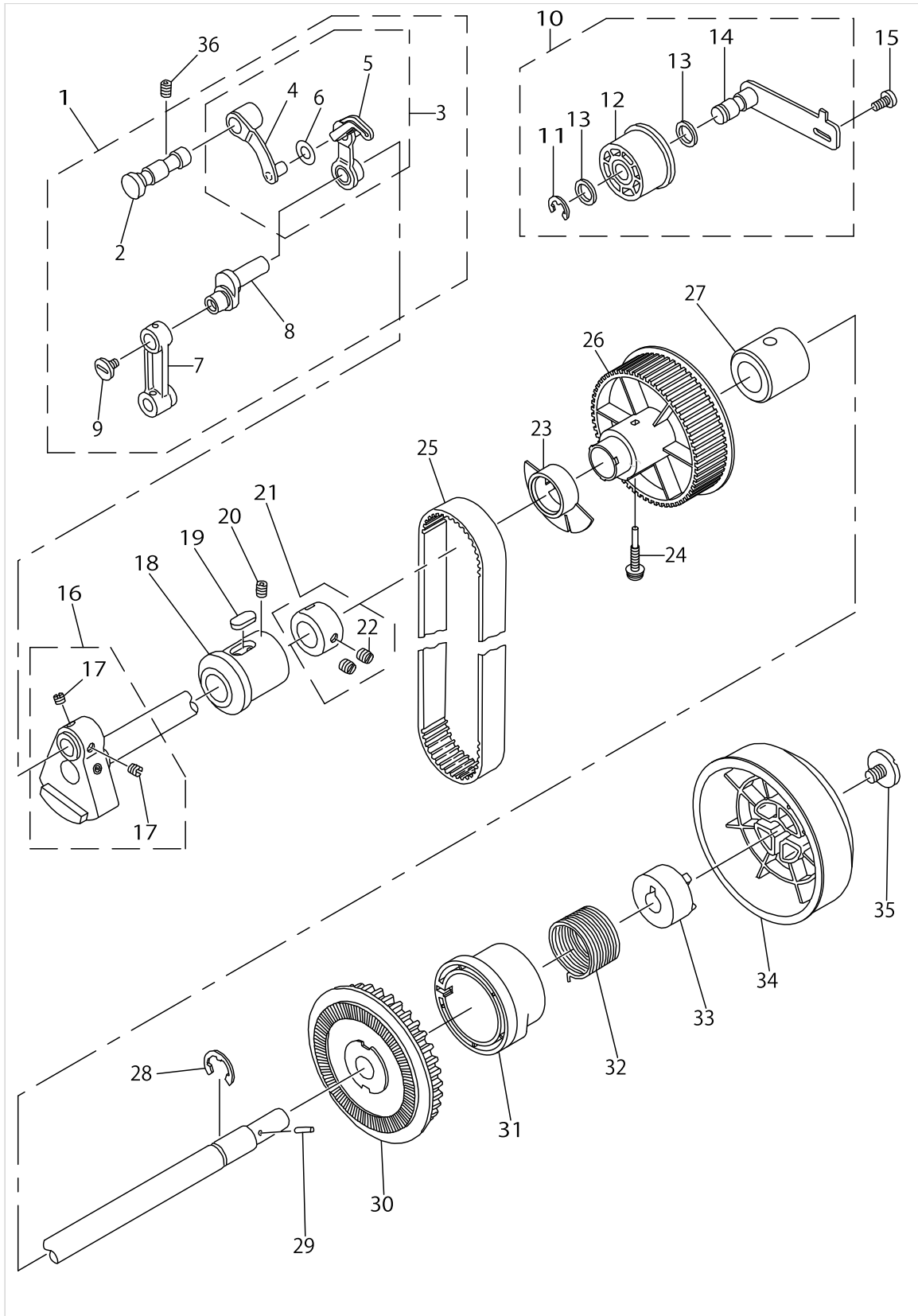
ARM COVER, FACE PLATE AND LAMP COMPONENTS



ARM COVER, FACE PLATE AND LAMP COMPONENTS

No.	Parts No.	Parts name	Remarks	Level	Cons	Qty
48	A3803096000	LAMP BULB		*		1
49	HA00346000A	SLIDE SWITCH		*		1
50	SM4020301SC	SCREW		*		2
51	A3804D25000A	LAMP INSTALLING BASE		*		1
52	SM5030455SF	SCREW		*		1
53	A3115D25000	FACE COVER	FOR CE,AUS,BS,CHN,KOR	*		1
54	A3116Q98Z00	PRESSURE INDICATING PLATE	FOR CE,AUS,BS,CHN,KOR	*		1
55	A3117090000	HOLDING PLATE	FOR CE,AUS,BS,CHN,KOR	*		1
56	SM5030655SN	SCREW		*		1
57	A3119096000	SPRING		*		1
58	SM5030655SN	SCREW		*		1
59	A31180900A0	FACE COVER LATCH ASM.		*		1
60	SM5030655SN	SCREW		*		4
61	SL5040631SE	SCREW		*		2
62	A3151535000	NUT		*		1
63	A3120D250A0	THREAD TRIMMER KNIFE ASM.		*		1
64	SM5030655SN	SCREW		*		1
65	A3123D25000	KNIFE INSTALLING BASE		*		1
66	SM5030501SC	SCREW		*		1
67	SM5042005SN	SCREW				2
68	40080437	FACE_PLATE_ASM.	FOR KOR			1

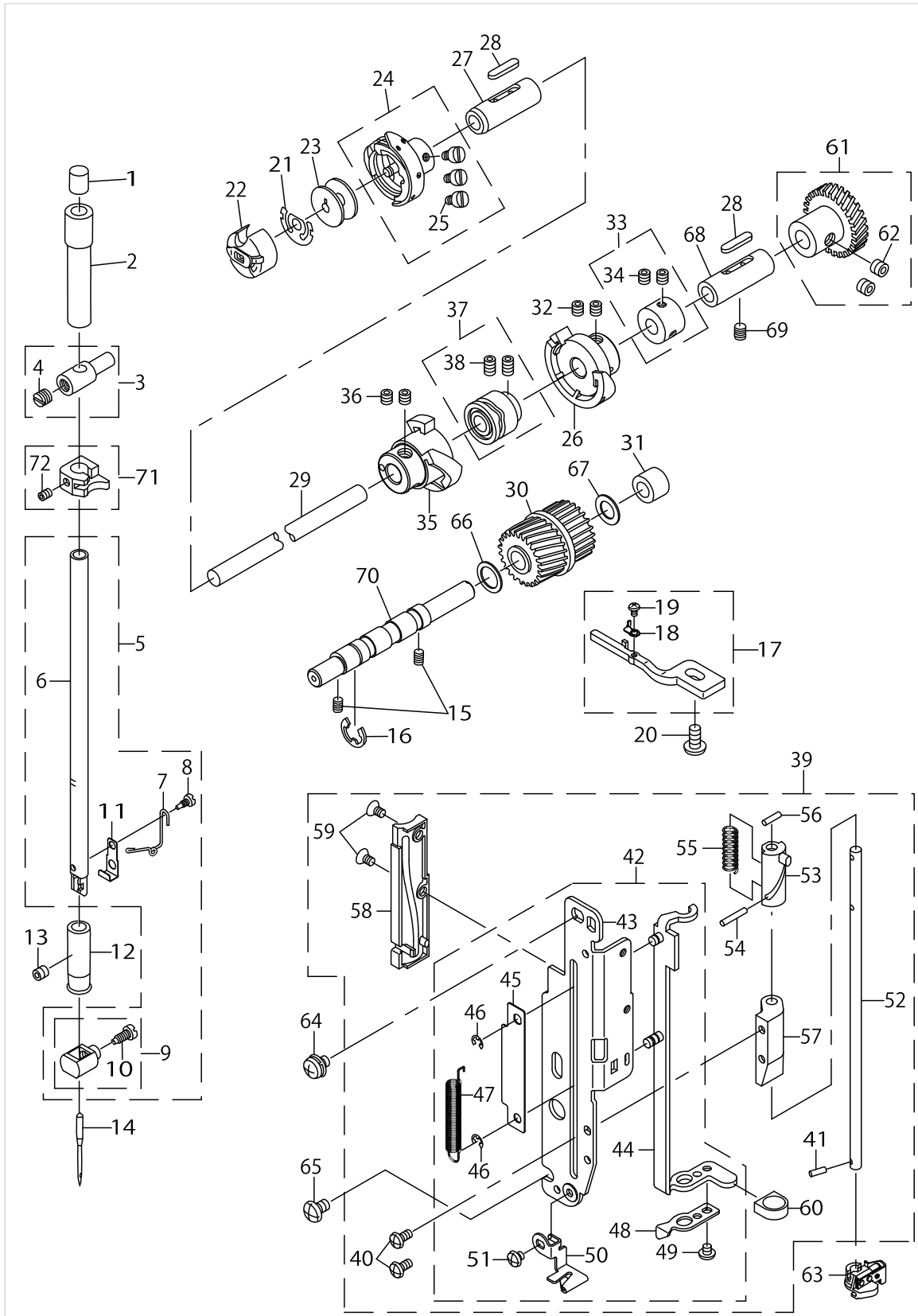
MAIN SHAFT, THREAD TAKE-UP AND IDLER COMPONENTS



MAIN SHAFT, THREAD TAKE-UP AND IDLER COMPONENTS

No.	Parts No.	Parts name	Remarks	Level	Cons	Qty
1	A19010900C0	THREAD TAKE-UP MAS. ASM.				1
2	A1902090000	THREAD TAKE-UP SUPPORTING SHAFT		*		1
3	A19010900B0	THREAD TAKE-UP ASM.		*		1
4	A19040900A0	THREAD TAKE-UP SUPPORT ASM.		*		1
5	A19010900A0	THREAD TAKE-UP BODY ASM.		*		1
6	WP0620316RZ	WASHER		*		1
7	A1408090000	NEEDLE BAR CRANK ROD		*		1
8	A1209072000	NEEDLE BAR CRANK		*		1
9	A1219907000	LEFT SCREW		*		1
10	A72010900B0	IDLER MAS. ASM.				1
11	RE0600000K0	E-RING		*		1
12	A72030900A0	IDLER ASM.		*		1
13	A7204090000A	WASHER		*		2
14	A72010900A0	IDLER INSTALLING PLATE ASM.		*		1
15	SM5040855SN	SCREW				1
16	A1201D980A0	MAIN SHAFT ASM.				1
17	SM8060502TP	SCREW		*		2
18	A1202090000	MAIN SHAFT FRONT BUSHING				1
19	A1203007000	FELT				1
20	SM8050602TP	SCREW				1
21	A12050900A0	MAIN SHAFT THRUST COLLAR ASM.				1
22	SM8060502TP	SCREW		*		2
23	A1210D25000	MAIN SHAFT DETECTOR SHIELD				1
24	A1226D98000	SCREW				1
25	A7110090000	MAIN SHAFT TIMING-BELT				1
26	A1227D98000	MAIN SHAFT PULLEY				1
27	A1204090000	MAIN SHAFT REAR BUSHING				1
28	RE1000000K0	E-RING				1
29	A1225090000	STOPPER PIN				1
30	A1232090000A	MOTOR PULLEY				1
31	A1244096000	CLUTCH SPRING SUPPORT				1
32	A1248096000	CLUTCH SPRING				1
33	A1229090000	HAND WHEEL BUSHING				1
34	A1228090000A	HAND WHEEL				1
35	A1230500000A	SCREW				1
36	SM8050602TP	SCREW				1

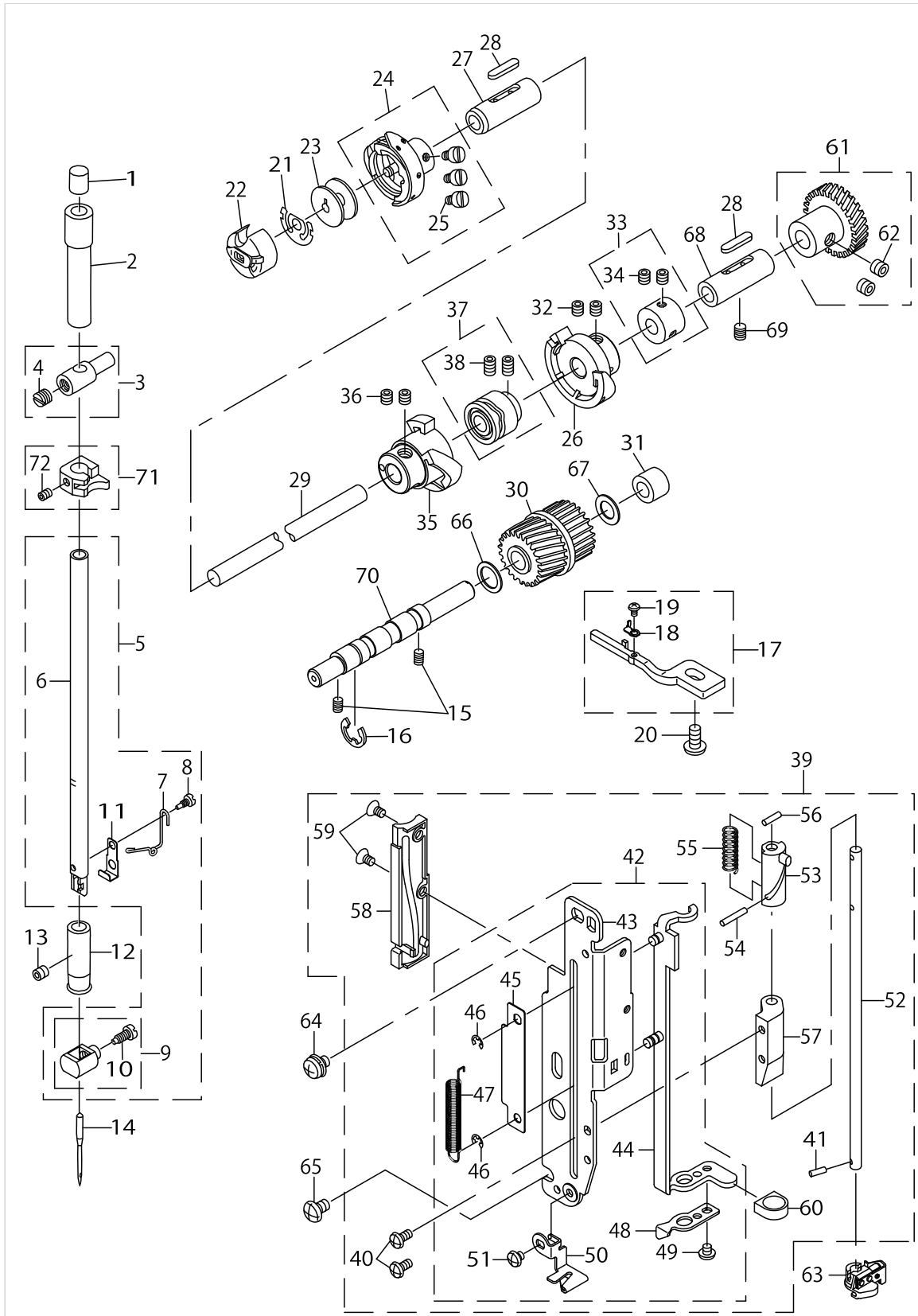
NEEDLE BAR, HOOK DRIVING SHAFT AND THREADER COMPONENTS



NEEDLE BAR, HOOK DRIVING SHAFT AND THREADER COMPONENTS

No.	Parts No.	Parts name	Remarks	Level	Cons	Qty
1	A1404072000	FELT				1
2	A1402090000	NEEDLE BAR UPPER BUSHING				1
3	A14110900A0	NEEDLE BAR CONNECTION ASM.				1
4	SM8060510SP	SCREW		*		1
5	A14010960B0A	NEEDLE BAR ASM.				1
6	A1401096000A	NEEDLE BAR		*		1
7	A141609600AA	NEEDLE BAR THREAD BRACKET		*		1
8	A1420001000	SCREW		*		1
9	A14160960A0	NEEDLE CLAMP ASM.		*		1
10	A1417096000	SCREW		*		1
11	A1402096000A	NEEDLE MIS-INSERT PREVENTING PLATE		*		1
12	A1403090000	NEEDLE BAR LOWER-BUSHING				1
13	SM8040402TP	SCREW				1
14	MHA100B1400	NEEDLE(HA 1 #14)				1
15	SM8040602TP	SCREW				2
16	RE0600000K0	E-RING				1
17	A18350900A0B	BOBBIN CASE POSITIONING FINGER ASM.				1
18	A1835090A00A	SPRING		*		1
19	SM4020301SN	SCREW		*		1
20	SM5040855SN	SCREW				1
21	A183770000A	IDLING PREVENTING SPRING				1
22	A1837D250AB	BOBBIN CASE ASM.				1
23	A9117007000	BOBBIN				1
24	A1830D250AA	HOOK ASM.				1
25	SS6110560TP	SCREW		*		3
26	A2462D25000	ROLLER HOLDING CAM				1
27	A1802007000	HOOK DRIVING SHAFT FRONT BUSHING				1
28	B1806038000	FELT				2
29	A1801D98000	HOOK DRIVING SHAFT				1
30	A1807090000A	HOOK DRIVING SHAFT PULLEY				1
31	A180909600A	ECCENTRIC SHAFT BUSHING				1
32	SM8050402TP	SCREW				2
33	A18910960A0	HOOK DRIVING SHAFT THRUST COLLAR ASM.				1
34	SM8040402TP	SCREW		*		2
35	A2461D25000	TREAD CUTTER AUXILIARY CAM				1
36	SM8040402TP	SCREW				2
37	A24020900A0B	THREAD CUTTER CAM ASM.				1
38	SM8050602TP	SCREW		*		2
39	A1450D250B0	THREAD SUPPORTING PLATE ASM.				1
40	SM5030655SN	SCREW		*		2
41	PH0200062C0	PIN B		*		1
42	A1450D250A0	THREAD SUPPORTING PLATE ASM.		*		1
43	A1450096000	THREAD SUPPORTING PLATE		*		1
44	A14310960A0	THREAD LEVER SUPPORTING PLATE ASM.		*		1
45	A1453096000	SLIDE PLATE		*		1
46	RE0250000K0	E-RING		*		2
47	A1433096000	SPRING		*		1

NEEDLE BAR, HOOK DRIVING SHAFT AND THREADER COMPONENTS



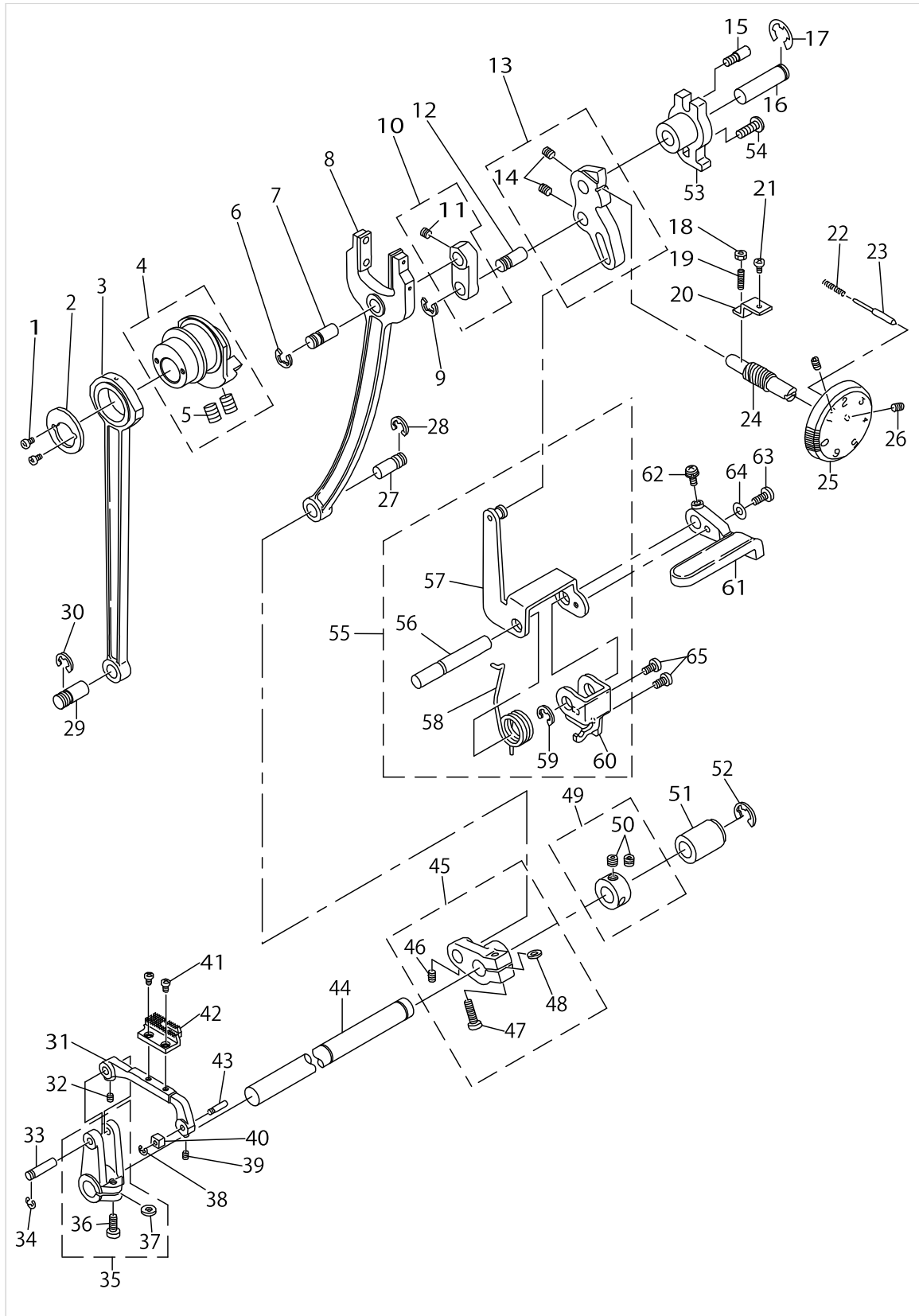
NEEDLE BAR, HOOK DRIVING SHAFT AND THREADER COMPONENTS

No.	Parts No.	Parts name	Remarks	Level	Cons	Qty
48	A1452096000	THREAD GUIDE		*		1
49	SM5030355SN	SCREW		*		1
50	A1419D25000A	NEEDLE BAR THREAD GUIDE		*		1
51	SM5030355SN	SCREW		*		1
52	A1432096000A	THREAD BAR		*		1
53	A1426096000	THREAD OPERATING CYLINDER A		*		1
54	A143209600A	PIN A		*		1
55	A1434096000	SPRING		*		1
56	A143209600C	PIN C		*		1
57	A1451096000	THREADER BAR SUPPORT		*		1
58	A142609600B	THREADER OPERATING CYLINDER B		*		1
59	SM1860601SC	SCREW		*		2
60	A1430096000A	THREAD LEVER		*		1
61	A1805D980A0	HOOK DRIVING SHAFT GEAR ASM.				1
62	SM8050402TP	SCREW		*		2
63	A1440D250A0A	THREADER HOOK HOLDER ASM.				1
64	SL5040631SE	SCREW				1
65	SM4040655SN	SCREW				1
66	WP0850616SP	WASHER A				1
67	WP0700616SP	WASHER B				1
68	A1804007000	HOOK DRIVING SHAFT REAR BUSHING				1
69	SM8050602TP	SCREW				1
70	A1809D98000	PULLY ECCENTRIC SHAFT				1
71	A14130960A0	NEEDLE ROD GUIDE ASM.				1
72	SM8030402TP	SCREW		*		1

FEED MECHANISM COMPONENTS

No.	Parts No.	Parts name	Remarks	Level	Cons	Qty
1	SM4860655SN	SCREW				2
2	A1208090000	FEED CAM THRUST PLATE				1
3	A1701090000	FEED ROD				1
4	A12070900A0	FEED CAM ASM.				1
5	SM8060802TP	SCREW		*		2
6	RE0600000K0	E-RING				3
7	A1618090000	CONNECTING SHAFT				1
8	A16140900A0	FORKED ROD ASM.				1
9	RE0600000K0	E-RING				1
10	A16190900A0	FORKED LINK ASM.				1
11	SM8050602TP	SCREW		*		1
12	A1618090000	FORKED ROD SHAFT				1
13	A16220900A0	FEED REGULATOR ASM.				1
14	SM8050602TP	SCREW		*		2
15	A1627090000A	ROTATION STOPPER				1
16	A1625090000A	FEED REGULATOR SHAFT				1
17	RE0600000K0	E-RING				1
18	NM6030002SF	NUT				1
19	SM8031400TP	SCREW				1
20	A1653090000	STOPPER				1
21	SM5030655SN	SCREW				1
22	A1148D25000	SPRING				1
23	A1147090000	PIN				1
24	A1652090000	SCREW				1
25	A16470960A0A	FEED DIAL ASM.				1
26	SM8030402TP	SCREW				2
27	A1618090000	FORKED ROD CONNECTING SHAFT				1
28	RE0600000K0	E-RING				1
29	A1618090000	CONNECTING SHAFT				1
30	RE0600000K0	E-RING				1
31	A1602090000	FEED BASE				1
32	SM8030502TP	SCREW				1
33	A1603090000	FEED BASE SHAFT				1
34	RE0300000K0	E-RING				1
35	A16050900A0	FEED SHAFT ARM ASM.				1
36	SM4041055SP	SCREW		*		1
37	WP0430801SD	WASHER		*		1
38	RE0200000K0	E-RING				1
39	SM8030502TP	SCREW				1
40	A1710090000	FEED BASE SQUARE BLOCK				1
41	A1606090000	SCREW				2
42	A1635090000	FEED DOG A				1
43	A1711090000	SQUARE BLOCK SHAFT				1
44	A1601096000	FEED ROD SHAFT				1
45	A16120900A0	FEED ROD ARM ASM.				1
46	SM8040602TP	SCREW		*		1
47	SM5041455SP	SCREW		*		1

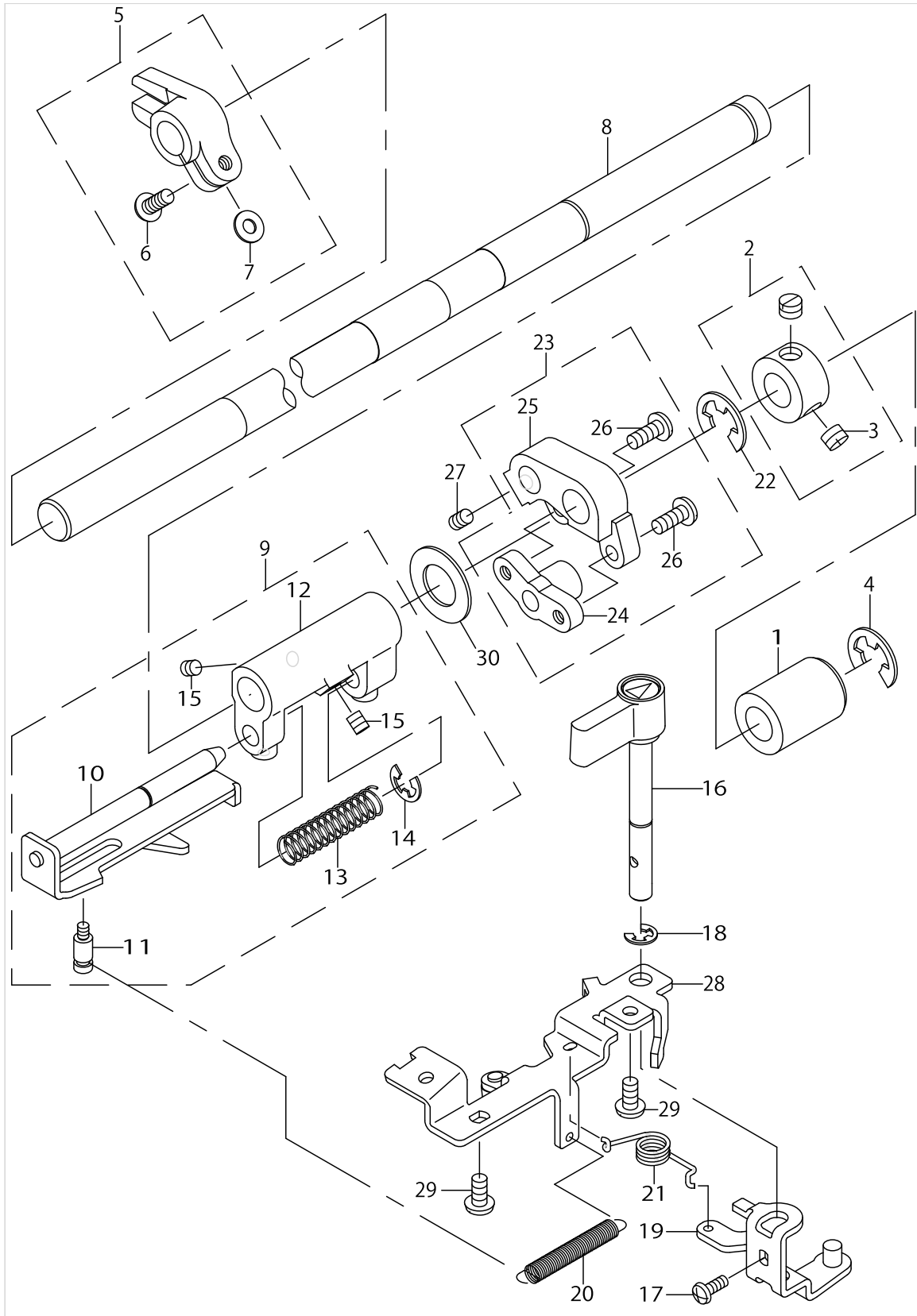
FEED MECHANISM COMPONENTS



FEED MECHANISM COMPONENTS

No.	Parts No.	Parts name	Remarks	Level	Cons	Qty
48	WP0430801SD	WASHER		*		1
49	A12030080A0	THRUST COLLAR ASM.				1
50	SM8060502TP	SCREW		*		2
51	A1604090000	REAR BUSHING				1
52	RE0800000K0	E-RING				1
53	A1626090000A	FEED REGULATOR SHAFT BUSHING				1
54	SM5041255SN	SCREW				1
55	A16200900B0	FEED REGULATOR LEVER ARM(PARTIAL ASM.)				1
56	A1621090000	FEED REGULATOR LEVER SHAFT		*		1
57	A16200900A0	FEED REGULATOR LEVER ARM ASM.		*		1
58	A1683090000	SPRING		*		1
59	RE0600000K0	E-RING		*		1
60	A1623090000	INSTALLING PLATE		*		1
61	A1628090000A	FEED REGULATOR LEVER				1
62	SL5030831SF	SCREW				1
63	SM5041055SN	SCREW				1
64	WP0430801SC	WASHER				1
65	SM5040855SN	SCREW				2

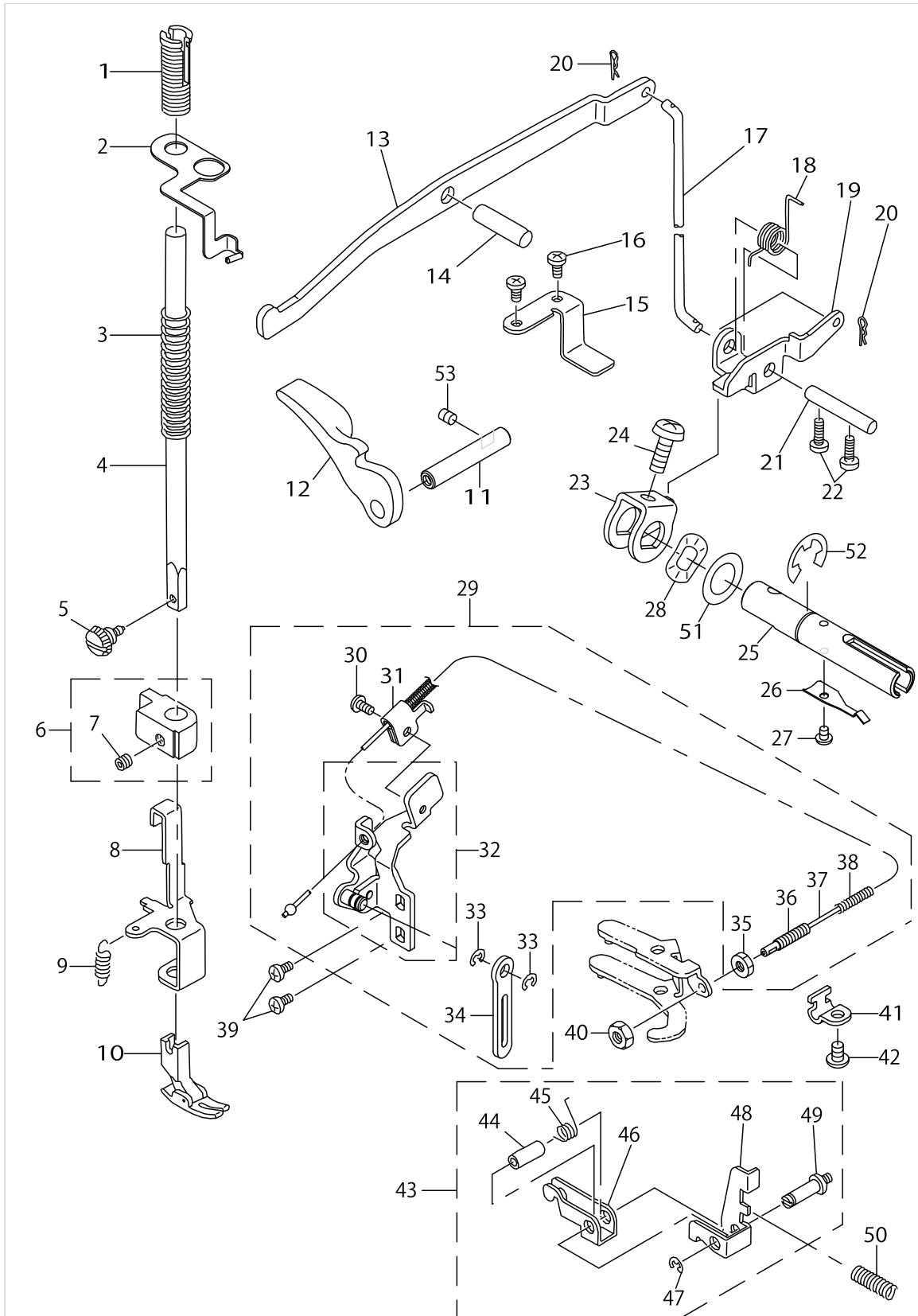
DROP FEED KNOB COMPONENTS



DROP FEED KNOB COMPONENTS

No.	Parts No.	Parts name	Remarks	Level	Cons	Qty
1	A1604090000	VERTICAL FEED SHAFT REAR METAL				1
2	A12030080A0	THRUST COLLAR ASM.				1
3	SM8060502TP	SCREW		*		2
4	RE0800000K0	E-RING				1
5	A17040900A0	VERTICAL FEED SHAFT ARM ASM.				1
6	SM4041055SP	SCREW		*		1
7	WP0430801SD	WASHER		*		1
8	A1601096000	VERTICAL FEED SHAFT				1
9	A16650960B0A	DROP FEED CHANGE SHAFT PLATE MAS. ASM.				1
10	A16650960A0A	DROP FEED CHANGE SHAFT PLATE ASM.		*		1
11	A1663096000	GUIDE PIN A		*		1
12	A1662096000	GUIDE		*		1
13	A1667096000	SPRING		*		1
14	RE0500000K0	E-RING		*		1
15	SM8040402TP	SCREW		*		2
16	A1674D250A0	DROP FEED KNOB ASM.				1
17	SM5030855SN	SCREW				1
18	RE0400000K0	E-RING				1
19	A16710960A0A	DROP FEED ADJUSTING ARM ASM.				1
20	A1668096000	GUIDE SPRING				1
21	A1673096000	SPRING				1
22	RE0800000K0	E-RING				1
23	A17020960A0	VERTICAL FEED ARM ASM.				1
24	A1661096000	DROP FEED CONNECTING SHAFT SUPPORT		*		1
25	A1702096000	VERTICAL FEED ARM		*		1
26	SM5041055SN	SCREW		*		2
27	SM8040602TP	SCREW				1
28	A24460960A0	WIRE INSTALLING PLATE ASM.				1
29	SM5040855SN	SCREW				2
30	WP1000316RZ	WASHER				1

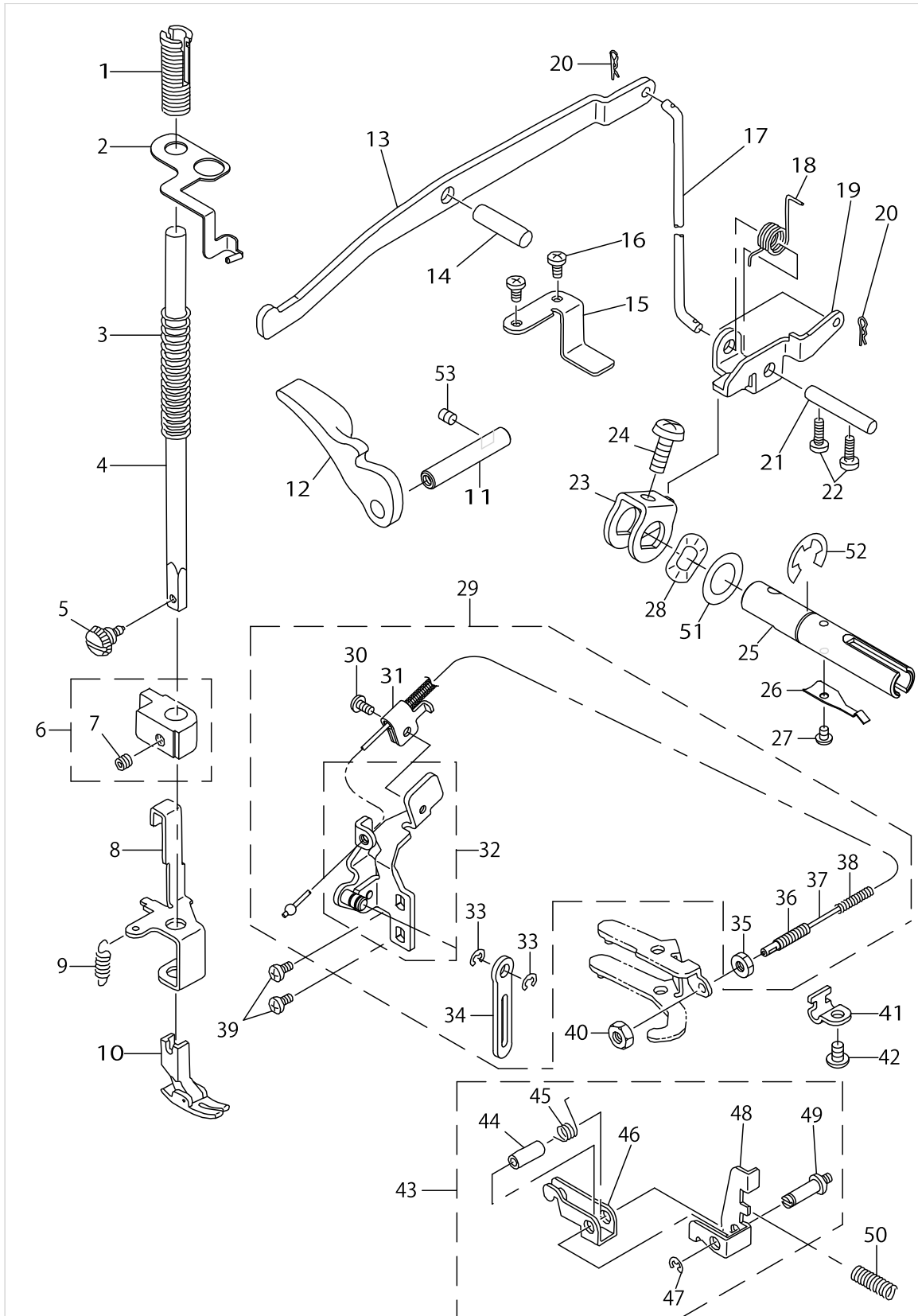
PRESSER, KNEE LIFTER, WIRE HOLDER AND THREAD RELEASE COMPONENTS



PRESSER, KNEE LIFTER, WIRE HOLDER AND THREAD RELEASE COMPONENTS

No.	Parts No.	Parts name	Remarks	Level	Cons	Qty
1	A1509090000	PRESSER REGULATING SCREW				1
2	A1503D250A0	PRESSURE INDICATOR ASM.				1
3	A1505D25000	PRESSER SPRING				1
4	A1501090000	PRESSER BAR				1
5	A1132025000	SCREW				1
6	A15070960A0	PRESSER BAR CONNECTION ASM.				1
7	SM8060502TP	SCREW		*		1
8	A1508090000	PRESSER LEVER				1
9	A1515090000	SPRING				1
10	B15240120A0	STANDARD PRESSER FOOT ASM.				1
11	A1513X28000	LIFTING LEVER SHAFT				1
12	A1512X28000	LIFTING LEVER				1
13	A3406090000	KNEE LIFTER LEVER				1
14	A3407090000	KNEE LIFTER LEVER SHAFT				1
15	A3408090000	STOPPING PLATE				1
16	SM5040855SN	SCREW				2
17	A3413090000	KNEE LIFTER LINK				1
18	A3411090000	SPRING				1
19	A3412X28000	PLATE				1
20	A341309000A	SNAP PIN				2
21	A3410090000	CLAW LEVER SHAFT				1
22	SM5041255SN	SCREW				2
23	40065584	CLAW LEVER ACTUATING PLATE				1
24	SM5051255SN	SCREW				1
25	A3420X28000	KNEE LIFTER LEVER SHAFT				1
26	A3421X28000	SPRING				1
27	SM5030455SF	SCREW				1
28	A3106202000	WASHER				1
29	A2440D250C0	WIRE HOLDER MAS. ASM.				1
30	SM5030655SN	SCREW		*		1
31	A2449090000	WIRE TUBE HOLDER B		*		1
32	A2440D250A0	WIRE HOLDER (PARTIAL ASM.)		*		1
33	RE0300000K0	E-RING		*		2
34	A2444090000	CONNECTING LINK		*		1
35	NS6620310SP	NUT		*		1
36	D3159555B00	WIRE SET SCREW		*		1
37	A2447090000	WIRE CABLE		*		1
38	A2448090000	WIRE TUBE		*		1
39	SM5040855SN	SCREW				2
40	NS6620310SP	NUT				1
41	A2441096000	WIRE TUBE HOLDER				1
42	SM4040655SN	SCREW				1
43	A15170900A0	THREAD RELEASE PLATE ASM.				1
44	A151709000C	BUSHING		*		1
45	A151709000D	SPRING		*		1
46	A151709000B	THREAD RELEASE PLATE B		*		1
47	RE0300000K0	E-RING		*		1

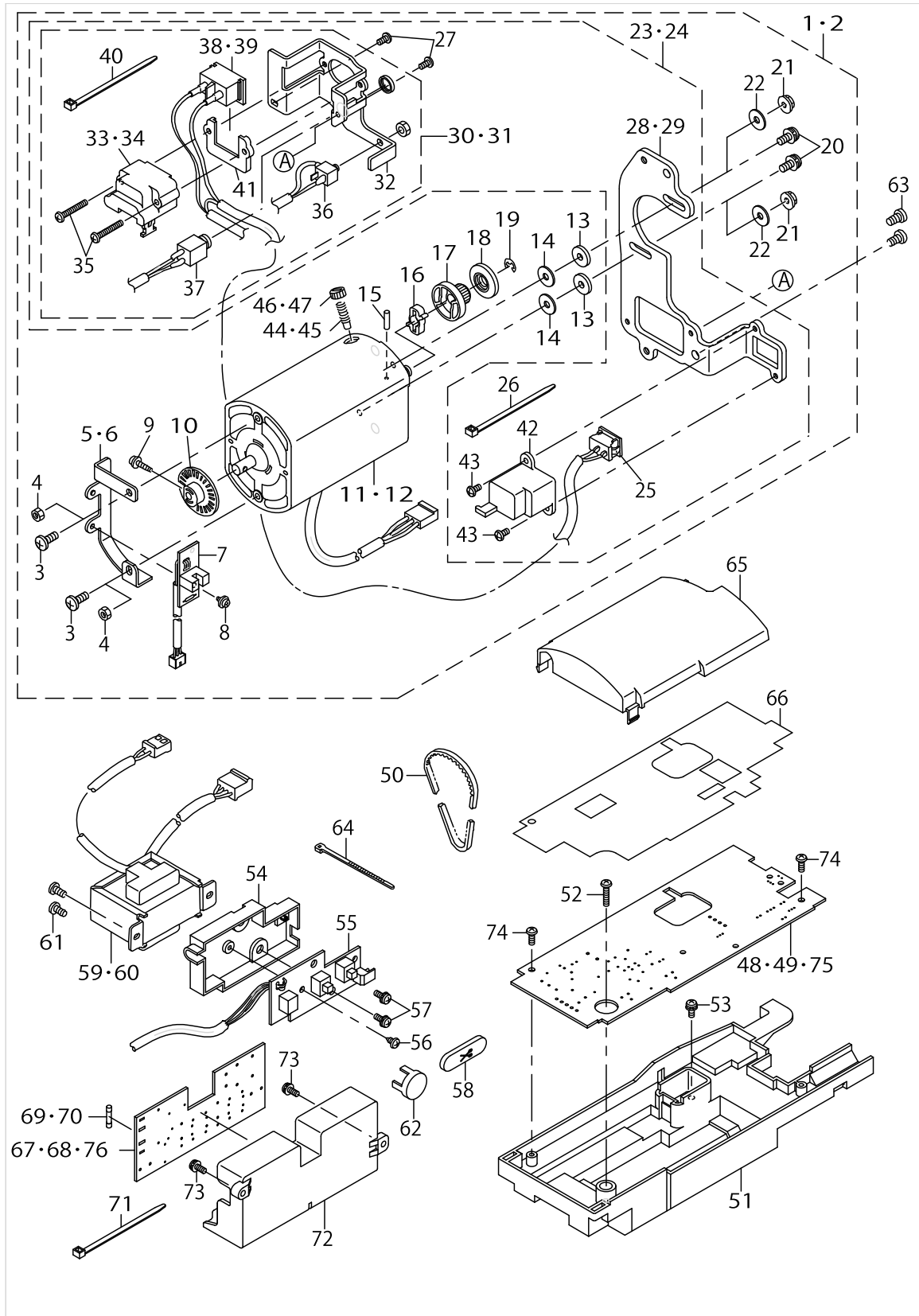
PRESSER, KNEE LIFTER, WIRE HOLDER AND THREAD RELEASE COMPONENTS



PRESSER, KNEE LIFTER, WIRE HOLDER AND THREAD RELEASE COMPONENTS

No.	Parts No.	Parts name	Remarks	Level	Cons	Qty
48	A151709000A	THREAD RELEASE PLATE A		*		1
49	A1518090000	THREAD RELEASE PLATE SHAFT		*		1
50	A1519090000	SPRING				1
51	WP1220516RZ	WASHER 12.2X18X0.5				1
52	RE0900000K0	E-RING 9				1
53	SM8040412TP	SET SCREW M4 L=4				1

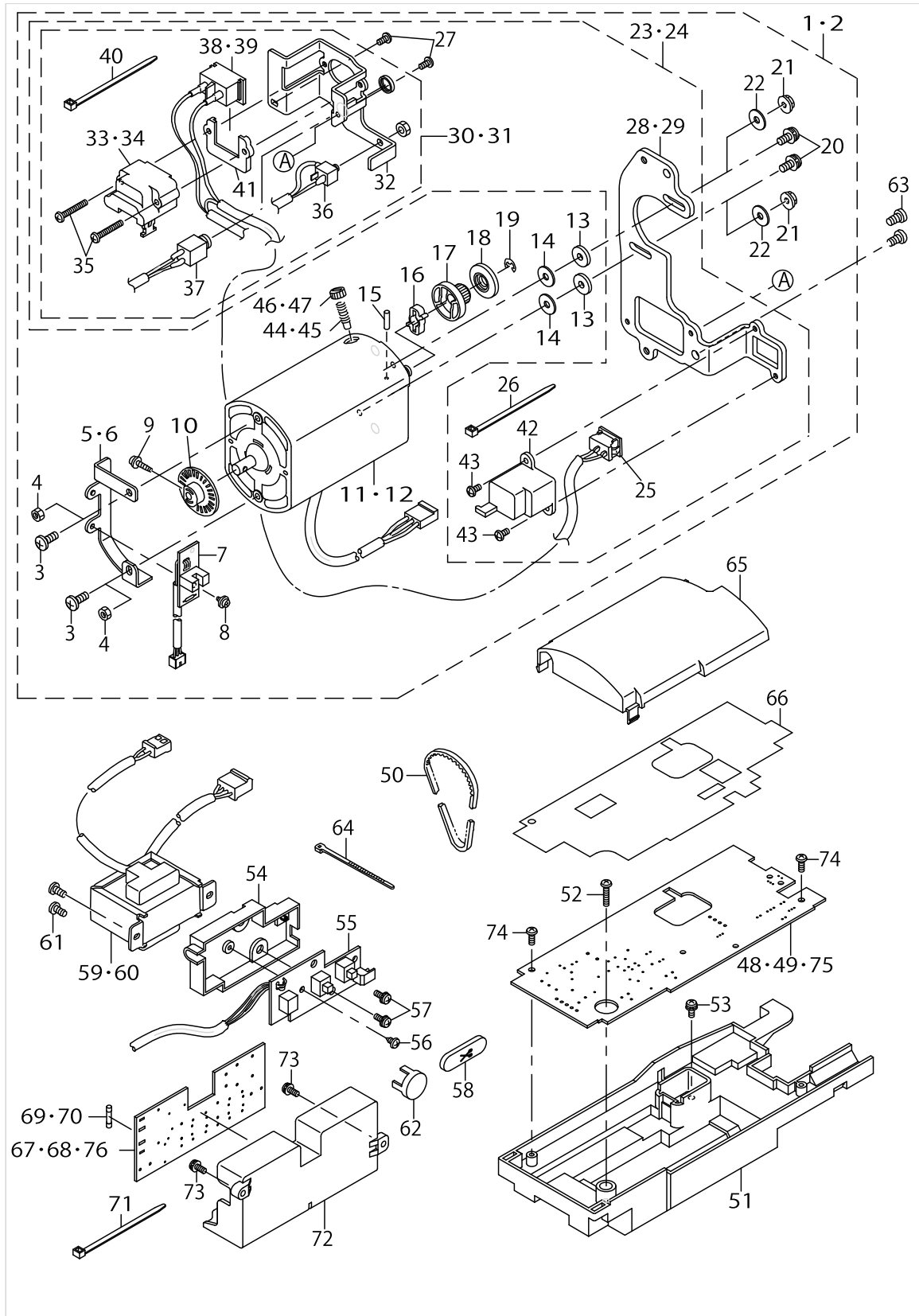
MOTOR AND MAIN CIRCUIT BOARD COMPONENTS



MOTOR AND MAIN CIRCUIT BOARD COMPONENTS

No.	Parts No.	Parts name	Remarks	Level	Cons	Qty
1	A710098PXC0A	MOTOR C ASM.	FOR CE,AUS,BS,CHN,KOR			1
2	A7100Q98ZC0A	MOTOR C ASM.	FOR UL			1
3	ST5041051SC	SCREW	FOR CE,AUS,BS,CHN,KOR	*		2
4	NM6040001SC	NUT	FOR UL	*		2
5	A712098PX00	MOTOR BOARD INSTALLING BASE	FOR CE,AUS,BS,CHN,KOR	*		1
6	A7120096000	MOTOR BOARD INSTALLING BASE	FOR UL	*		1
7	A7122D250A0A	MP DETECTION BOARD ASM.		*		1
8	SL5030531SF	SCREW		*		1
9	SL5031251SP	SCREW		*		1
10	A71210960A0	MP DETECTION BOARD SHUT PLATE ASM.		*		1
11	A710098PXA0A	MOTOR A ASM.	FOR CE,AUS,BS,CHN,KOR	*		1
12	A7100Q98ZA0A	MOTOR A ASM.	FOR UL	*		1
13	060702001000	SPACER	FOR UL	*		1
14	WP0451016SC	WASHERS	FOR UL	*		1
15	PS0200142KP	MOTOR SHAFT PULLEY PIN		*		1
16	A710000900C	MOTOR RUBBER CUSHION		*		1
17	A7100D9800A	MOTOR SHAFT PULLEY		*		1
18	A7100D9800B	PULLEY FLANGE		*		1
19	RE0400000KR	E-RING		*		1
20	SL5041031SF	SCREW	FOR CE,AUS,BS,CHN,KOR	*		2
21	NM3040550SC	NUT	FOR UL	*		2
22	A7113D25000	WASHER	FOR UL	*		1
23	A710198PXA0B	MOTOR BRACKET ASM.	FOR CE,AUS,BS,CHN,KOR	*		1
24	A7101Q98ZA0B	MOTOR BRACKET ASM.	FOR UL	*		1
25	A403201SZ00	POWER SWITCH		*		1
26	A407855000B	CLIP BAND	FOR UL	*		1
27	SM5030655SN	SCREW		*		2
28	A710198PX00	MOTOR BRACKET	FOR CE,AUS,BS,CHN,KOR	*		1
29	A7101090000	MOTOR BRACKET	FOR UL	*		1
30	A450198PXA0A	INLET INSTALLING PLATE ASM.	FOR CE,AUS,BS,CHN,KOR	*		1
31	A4501Q98ZA0A	INLET INSTALLING PLATE ASM.	FOR UL	*		2
32	A4501E98Z00	INLET INSTALLING PLATE		*		1
33	A4503D25000	INLET COVER	FOR CE,AUS,BS,CHN,KOR	*		1
34	A4503E98Z00	INLET COVER	FOR UL	*		1
35	SM5032051SE	SCREW		*		2
36	A7300E98ZA0B	EXTERNAL THREAD TRIMMING SOCKET ASM.		*		1
37	A4015E98ZA0A	CONTROLLER SOCKET ASM.		*		1
38	A410098PXA0A	POWER CORD INLET ASM.	FOR CE,AUS,BS,CHN,KOR	*		1
39	A4100Q98ZA0A	POWER CORD INLET ASM.	FOR UL	*		1
40	A407855000B	CLIP BAND		*		1
41	A4502D25000	INLET COVER LID	FOR CE,AUS,BS,CHN,KOR	*		1
42	A4504Q98Z00	COVER	FOR CE,AUS,BS,CHN,KOR	*		1
43	SM5030655SN	SCREW	FOR CE,AUS,BS,CHN,KOR	*		2
44	A710098PX0D	CARBON BRUSH	FOR CE,AUS,BS,CHN,KOR	*		2
45	A710009000D	CARBON BRUSH	FOR UL	*		2
46	A710098PX0E	BRUSH CAP	FOR CE,AUS,BS,CHN,KOR	*		2
47	A710009000E	BRUSH CAP	FOR UL	*		2

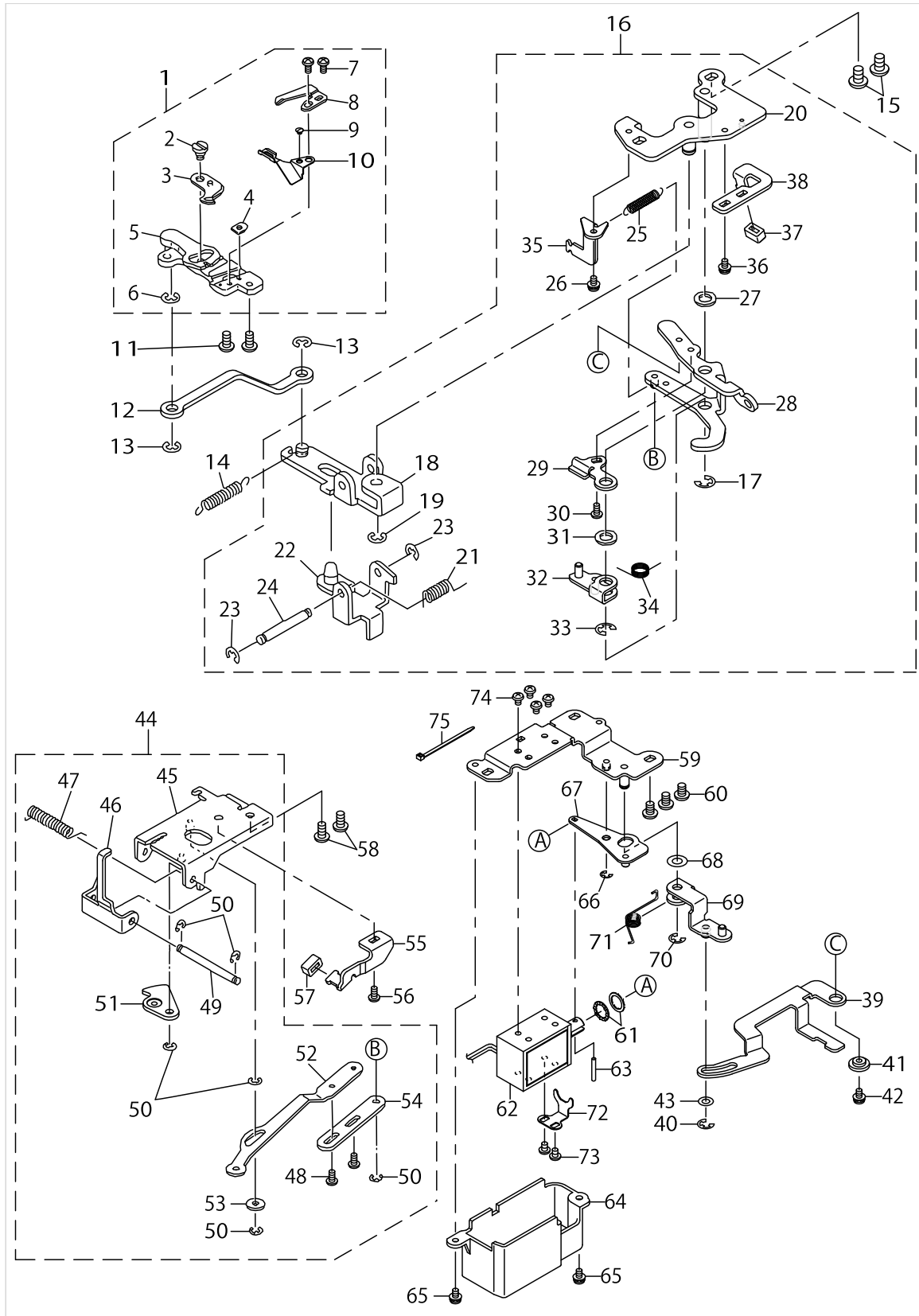
MOTOR AND MAIN CIRCUIT BOARD COMPONENTS



MOTOR AND MAIN CIRCUIT BOARD COMPONENTS

No.	Parts No.	Parts name	Remarks	Level	Cons	Qty
48	A4040Q98ZA0B	MAIN BOARD ASM.	FOR UL			1
49	A404098PXA0B	MAIN BOARD ASM.	FOR CE,AUS,BS,KOR			1
50	A7112090000	MOTOR TIMING BELT				1
51	A4043D25000A	POWER BOARD COVER				1
52	SM5031401SE	SCREW B				1
53	SL5030831SF	SCREW A				1
54	A3225096000	THREADTRIMMERSWITCHBOARD CASE				1
55	A3227D250B0A	THREAD TRIMMER SWITCH BOARD ASM.				1
56	ST5030551SR	SCREW				1
57	SL5030831SF	SCREW				2
58	A3228D25000	THREAD TRIMMER SWITCH BUTTON				1
59	40064413	POWER TRANSFORMER ASM.	FOR CE,AUS,BS,CHN,KOR			1
60	A4505Q98ZA0A	POWER TRANSFORMER ASM.	FOR UL			1
61	SM5040855SN	SCREW				2
62	A4011096000A	HALF STITCH SWITCH BUTTON				1
63	SM5050855SN	SCREW				2
64	A407855000B	MAIN BOARD CLIP BAND				4
65	A4042D25000	CASE COVER				1
66	A4044D25000A	MAIN BOARD INSULATION SEAT				1
67	A403598PXA0A	FILTER BOARD ASM.	FOR CE,AUS,BS,KOR			1
68	A4035Q98ZA0A	FILTER BOARD ASM.	FOR UL			1
69	HF0030031P0	FUSE	FOR CE,AUS,BS,CHN,KOR			1
70	HF0059050P0	FUSE	FOR UL			1
71	A407855000B	FILTER BOARD CLIP BAND				1
72	A4016D25000	FILTER BOARD COVER				1
73	SL5030851SN	SCREW				1
74	ST5030851SN	SCREW				2
75	40080274	MAIN_BOARD_(ASM.)	FOR CHN			1
76	40080276	FILTER_BOARD_(ASM.)	FOR CHN			1

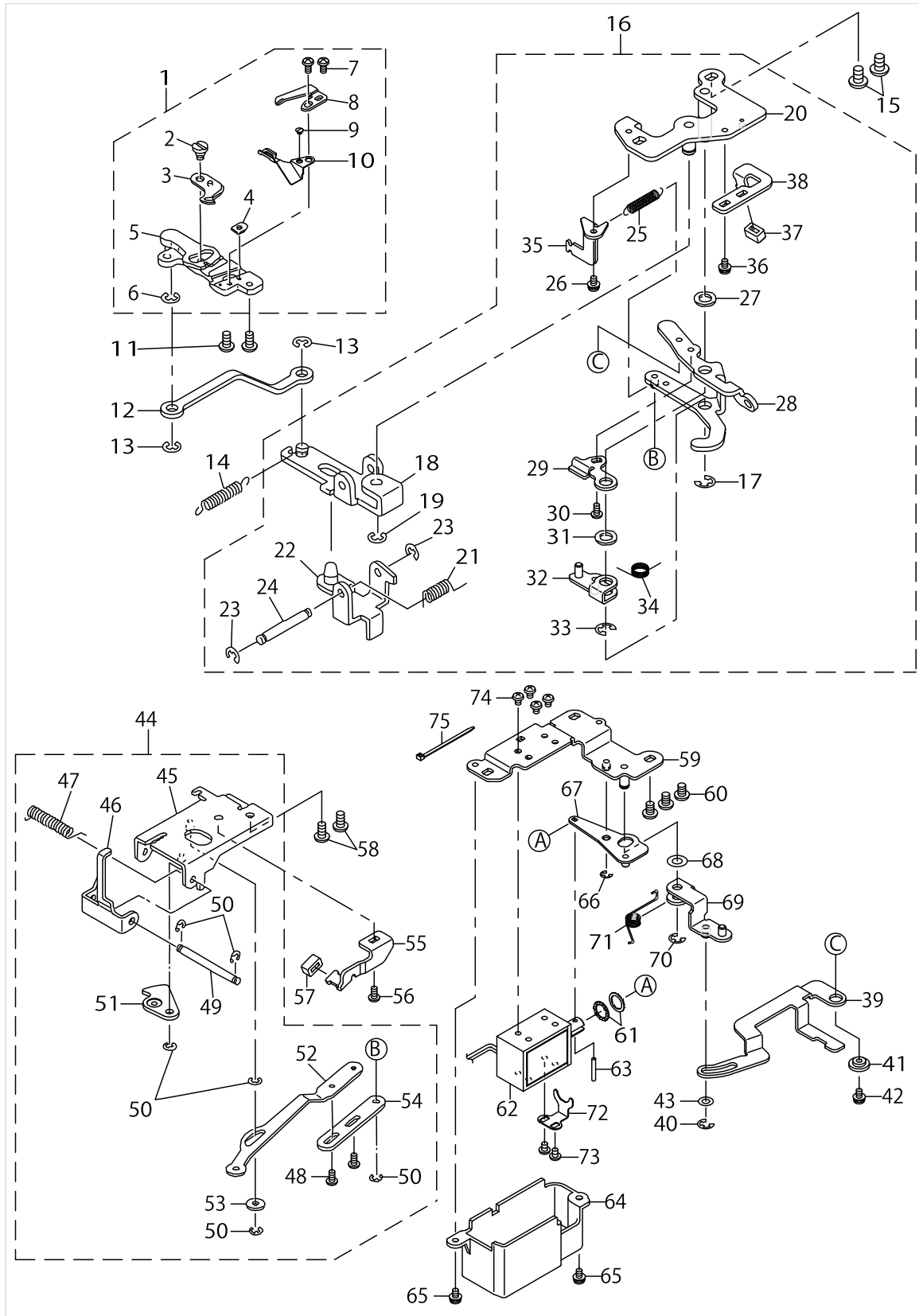
MOVING KNIFE, LOOPER AND THREAD TRIMMER SOLENOID COMPONENTS



MOVING KNIFE, LOOPER AND THREAD TRIMMER SOLENOID COMPONENTS

No.	Parts No.	Parts name	Remarks	Level	Cons	Qty
1	A18720900B0B	MOVING KNIFE BASE MAS. ASM.				1
2	A1873090000	SCREW		*		1
3	11040003	MOVING KNIFE		*		1
4	D2404555B00	COUNTER KNIFE MOUNTING PLATE		*		1
5	A18720900A0	MOVING KNIFE BASE ASM.		*		1
6	RE0400000K0	E-RING		*		1
7	SM5030655SN	SCREW		*		2
8	D2406555D0H	COUNTER KNIFE		*		1
9	SS2060210SP	SCREW		*		1
10	A1890090000B	KNIFE THREAD GUIDE		*		10
11	SM4040855SP	SCREW				2
12	A1882D25000	MOVING KNIFE LINK				1
13	RE0400000K0	E-RING				2
14	A1869090000	MOVING KNIFE ARM SPRING				1
15	SM4050855SP	SCREW				2
16	A1870D250C0A	MOVING KNIFE INSTALLING PLATE MAS. ASM.				1
17	RE0500000K0	E-RING		*		1
18	A18760900A0	MOVING KNIFE ARM ASM.		*		1
19	RE0500000K0	E-RING		*		1
20	A1870D250A0A	MOVING KNIFE INSTALLING PLATE ASM.		*		1
21	A1881090000	SPRING		*		1
22	A18780900A0A	MOVING KNIFE ROLLER ARM ASM.		*		1
23	RE0400000K0	E-RING		*		2
24	A1880090000	ROLLER ARM SHAFT		*		1
25	A3130700000	SPRING		*		1
26	SL5030631SS	SCREW		*		1
27	A172809000A	WASHER		*		1
28	A1727D250A0A	LOOPER LINK ARM ASM.		*		1
29	A1726D25000A	LINK ARM FIXING PLATE		*		1
30	SM5030631SF	SCREW		*		1
31	A172809000A	WASHER		*		1
32	A1724D250A0	LINK ARM SUPPORT PLATE ASM.		*		1
33	RE05000000K0	E-RING		*		1
34	A1733D25000	SPRING		*		1
35	A1729D25000	LOOPER LINK ARM SPRING RACK		*		1
36	SL5030631SF	SCREW		*		1
37	A1735D25A00	STOPPER RUBBER		*		1
38	A1735D25000	LOOPER LINK ARM STOPPER PLATE		*		1
39	A1723D25000	THREAD TRIMMER SOLENOID LINK A				1
40	RE0400000K0	E-RING				1
41	A2435033000	COLLAR				1
42	SL5030655SF	SCREW				1
43	A31099DC000	WASHER				1
44	A1705D980B0A	LOOPER MAS. ASM.				1
45	A17060900A0A	LOOPER INSTALLING ARM ASM.		*		1
46	A1705D98000	LOOPER		*		1
47	A1708090000	LOOPER SPRING		*		1

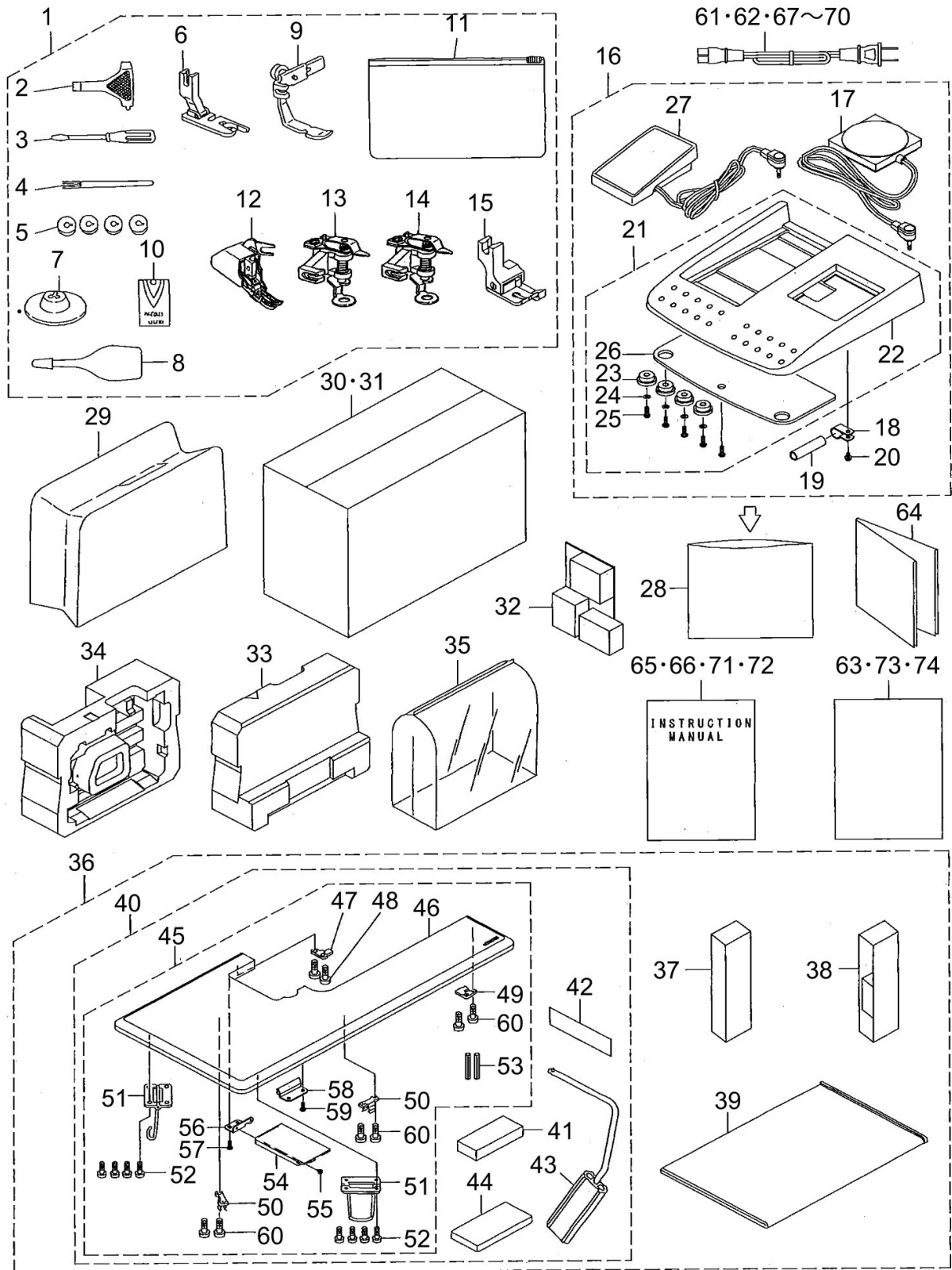
MOVING KNIFE, LOOPER AND THREAD TRIMMER SOLENOID COMPONENTS



MOVING KNIFE, LOOPER AND THREAD TRIMMER SOLENOID COMPONENTS

No.	Parts No.	Parts name	Remarks	Level	Cons	Qty
48	SM5030655SN	SCREW		*		2
49	A1707090000	LOOPER SHAFT		*		1
50	RE0300000K0	E-RING		*		6
51	A17120900A0	LOOPER CAM ASM.		*		1
52	A173009000A	LOOPER LINK A		*		1
53	WP0450816SC	WASHER		*		1
54	A173009000B	LOOPER LINK B		*		1
55	A1732D25000	LOOPER STOPPER PLATE				1
56	SM5030655SN	SCREW				1
57	A1735D25A00	STOPPER RUBBER				1
58	SM5040855SN	SCREW				2
59	A2310D250A0A	SOLENOID INSTALLING BASE ASM.				1
60	SM50406055SN	SCREW				3
61	A2470T70000	CUSHION RUBBER				1
62	A2400D250A0A	THREAD TRIMMER SOLENOID ASM.				1
63	PS0200142KP	PIN				1
64	A2401D25000	SOLENOID COVER				1
65	SL5030655SF	SCREW				2
66	RE0300000K0	E-RING				1
67	A2470D250A0	OPERATING LINK				1
68	WP0530516RZ	WASHER				1
69	A2464D250A0	AUXILIARY LINK ASM.				1
70	RE0400000K0	E-RING				1
71	A2467D25000	SPRING				1
72	A2469T70000	SOLENOID STOPPER				1
73	SM5030355SN	SCREW				2
74	SM5030401SN	SCREW				4
75	A407855000B	CABLE BAND				1

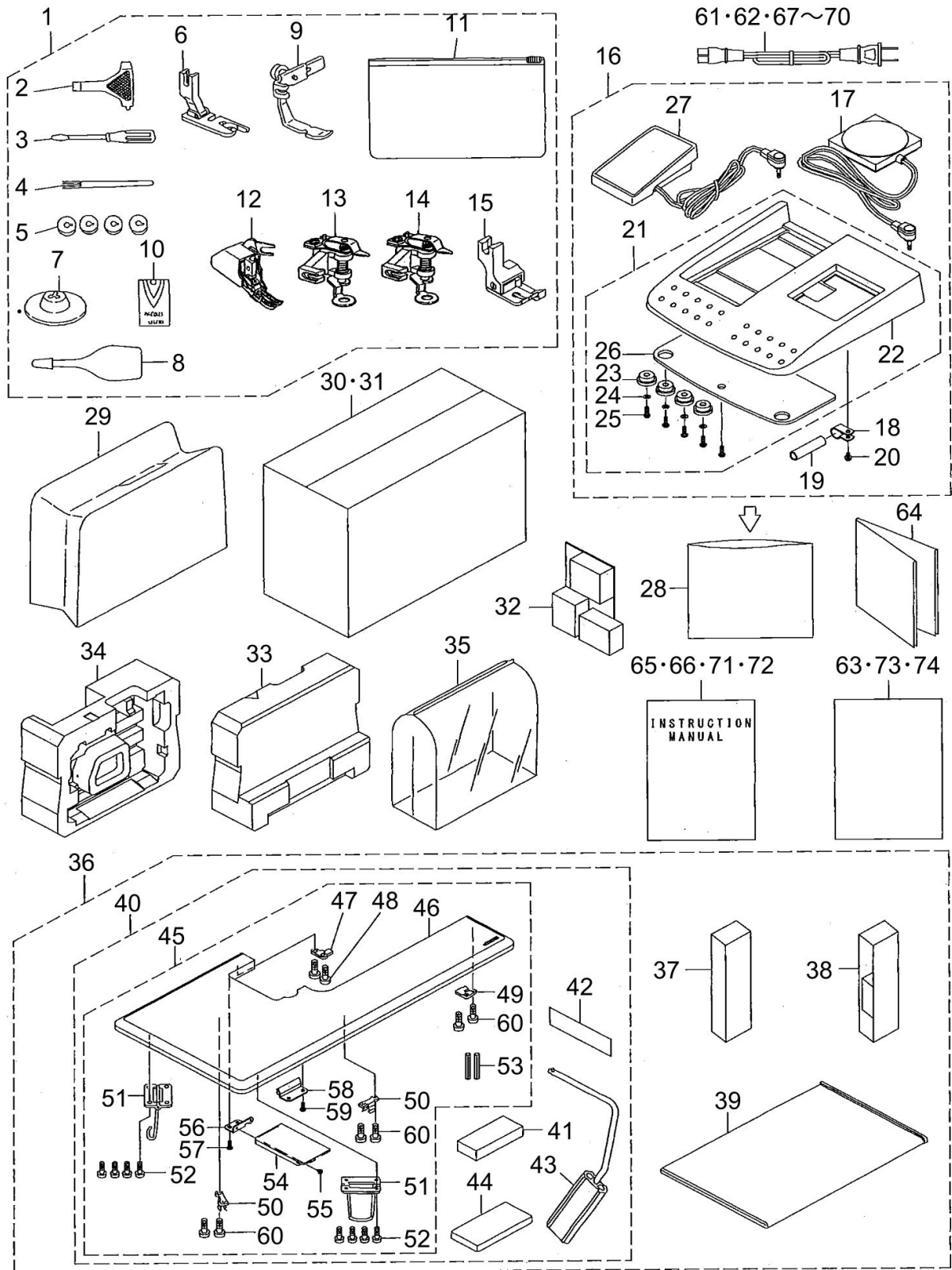
ACCESSORIES AND PACKING COMPONENTS



ACCESSORIES AND PACKING COMPONENTS

No.	Parts No.	Parts name	Remarks	Level	Cons	Qty
1	A9121Q98ZA0A	ACCESSORY BAG ASM.				1
2	A9110700000	SCREWDRIVER		*		1
3	A9103102000	SCREWDRIVER(MEDIUM)		*		1
4	A9137956000	CLEANING BRUSH		*		1
5	A9117007000	BOBBIN		*		4
6	A9104090000	HEMMER		*		1
7	A1150090000	SPOOL CAP		*		1
8	A9102062BA0	OILER		*		1
9	A9133090000	ZIPPER FOOT		*		1
10	MHA1M111422	NEEDLE(HA 1#11 #14)		*		1
11	A9121Q98Z00	ACCESSORY BAG		*		1
12	A9150E98ZA0A	UPPER FEED ATTACHMENT ASM.		*		1
13	A5133E98AB0A	1/4 QUILTING FOOT		*		1
14	A5133E98BB0A	1/5 QUILTING FOOT		*		1
15	A5140E98ZA0	COMPENSATING FOOT ASM.		*		1
16	40064858	PEDAL SWITCH CASE MAS. ASM.				1
17	40064510	EXTERNAL THREAD TRIMMER SWITCH		*		1
18	A8004096000	CORD HOLDER		*		1
19	A8005096000	CORD PROTECTION TUBE		*		1
20	SL5030631SF	SCREW		*		1
21	A80010960A0A	PEDAL SWITCH CASE ASM.		*		1
22	A8001096000A	PEDAL SWITCH CASE		*		1
23	A1161008000A	RUBBER SEAT		*		4
24	WP0430801SC	WASHER		*		4
25	ST5031051SR	SCREW		*		5
26	A8002096000	PEDAL SWITCH INSTALLING PLATE		*		1
27	40064424	CONTROLLER ASM.		*		1
28	A8006096000	PEDALSWITCHCASEASM.PACKINGBAG				1
29	A8401D25000	MAIN BODY CASE				1
30	A910198PX0CA	CARTON CASE(HEAD)	FOR CE			1
31	A9101Q98Z0CA	CARTON CASE(HEAD)	FOR UL			1
32	A9402D250A0	SET PLATE ASM.				1
33	A9301D25000	FRONT STYROFOAM				1
34	A9302D25000	REAR STYROFOAM				1
35	J0231082A0B	HEAD VINIL SHEET				1
36	A8501E98ZB0	AUXILIARY TABLE PACKING MAS. ASM.				1
37	A9401D980AA	AUXILIARY TABLE SUPPORT PLATE LEFT ASM.		*		1
38	A9400D980AAA	AUXILIARY TABLE SUPPORT PLATE RIGHT ASM.		*		1
39	A9404090000	AUXILIARY TABLE POLYETHYLENE BAG		*		1
40	A8501E98ZB0	AUXILIARY TABLE MAS. ASM.		*		1
41	A9406D98000	KNEE PAD		*		1
42	A9405D98000	KNEE PAD FIXING TAPE		*		3
43	A34250900A0A	KNEE PAD ASM.		*		1
44	A9405090000A	KNEE PAD METAL FITTING BUFFER		*		1
45	A8501E98ZA0	AUXILIARY TABLE ASM.		*		1
46	40066290	AUXILIARY TABLE		*		1
47	A8502090000	AUXILIARY TABLE CLAW A		*		1

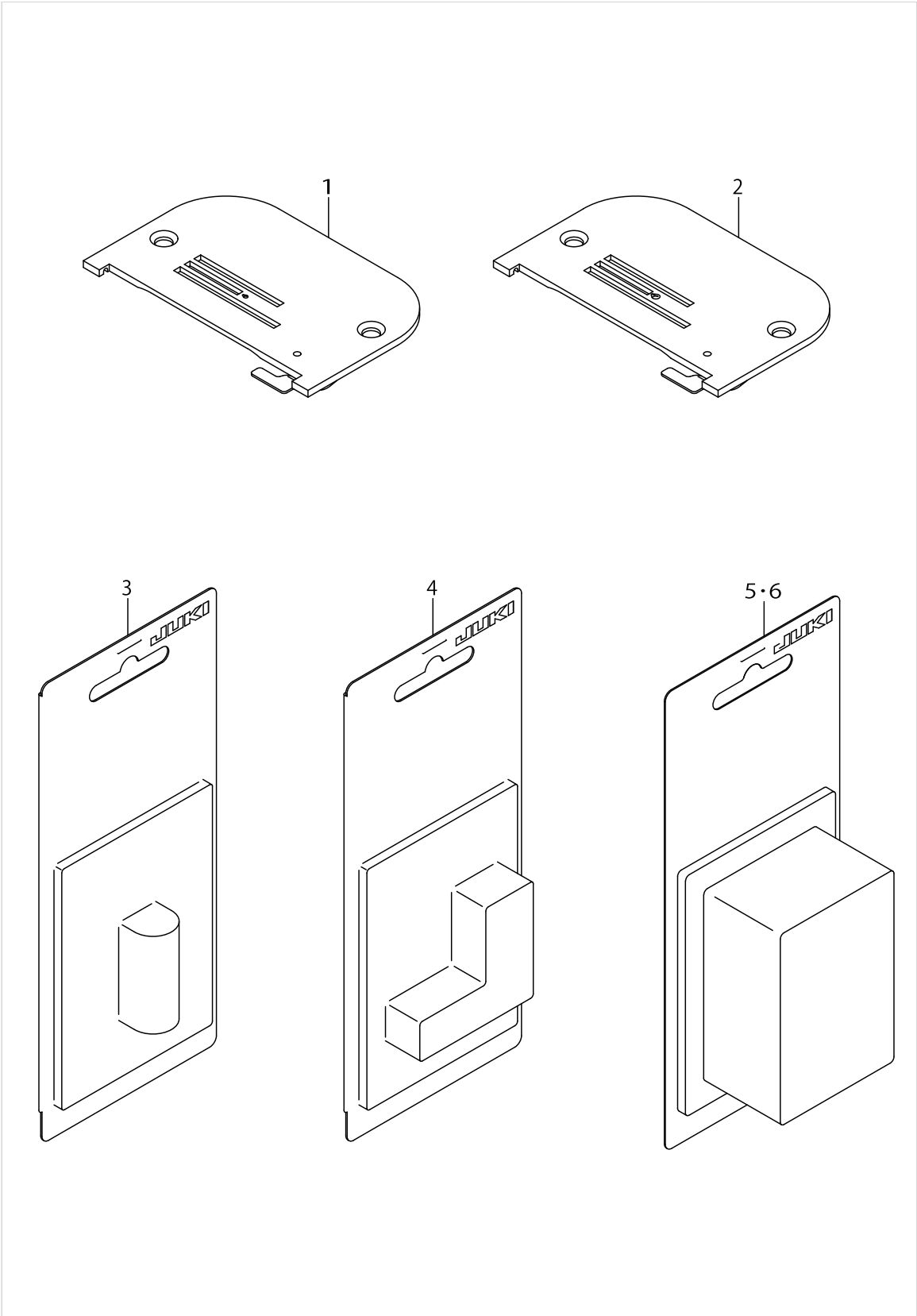
ACCESSORIES AND PACKING COMPONENTS



ACCESSORIES AND PACKING COMPONENTS

No.	Parts No.	Parts name	Remarks	Level	Cons	Qty
48	ST5751651SN	SCREW		*		2
49	A8503090000	AUXILIARY TABLE CLAW B		*		1
50	A8504090000	KNEE PAD RETAINER		*		2
51	A85050900A0	AUXILIARY TABLE STAND ASM.		*		2
52	ST5041211SN	SCREW		*		8
53	PS0200142KP	PIN		*		2
54	A8508D98000	BOBBIN LID		*		1
55	SL5030635SN	SCREW		*		2
56	A8509D98000	LID INSTALLING PLATE		*		1
57	ST5041211SN	SCREW		*		2
58	A8510D98000	HOOK SUPPORT BASE		*		1
59	ST5041211SN	SCREW		*		2
60	ST5041211SN	SCREW		*		6
61	A44219800AF	POWER CORD SET ASM. (CEE)	FOR CE			1
62	A6071776ZA0A	POWER CORD SET ASM. (UL)	FOR UL			1
63	A915365D000	WARRANTY CARD	FOR UL			1
64	A9900Q98Z00	PARTS SHEET				1
65	A925098PX00	INSTRUCTION MANUAL	FOR CE			1
66	A9250Q98Z00	INSTRUCTION MANUAL	FOR UL			1
67	A44219800AGB	POWER CORD SET ASM. (SAA)	FOR AUS			1
68	40071949	POWER_CORD_SET_(BS)_(ASM.)	FOR BS			1
69	A442150C00A	POWER_CORD_SET_(CHN)_(ASM.)	FOR CHN			1
70	40079741	POWER_CORD_SET_(KOR)	FOR KOR			1
71	40079815	INSTRUCTION MANUAL	FOR CHN			1
72	40079778	INSTRUCTION MANUAL	FOR KOR			1
73	40070282	WARRANTY_CARD	FOR CHN			1
74	40080802	WARRANTY_CARD	FOR CE,AUS,BS,KOR			1

SEPARATELY-SOLD COMPONENTS



SEPARATELY-SOLD COMPONENTS

No.	Parts No.	Parts name	Remarks	Level	Cons	Qty
1	A1109090AA0A	NEEDLE PLATE(FOR THIN MATERIALS)				1
2	A1109090BA0A	NEEDLE PLATE(FOR THICK MATERIALS)				1
3	A98120960A0A	LAMP BLISTER PACK ASM.				1
4	A98130960A0A	PRESSER FOOT FOR THIN MATERIALS ASM.				1
5	A9811E98AA0A	1/5 QUILTING FOOT				1
6	A9811E98BA0A	1/4 QUILTING FOOT				1

HOW TO MAKE USE OF THIS PARTS LIST

- 1.As to "#01" and "#02" refer to the "Note" given at the bottom of the respective pages.
- 2.Codes on the "Qty" column
 - Each numeral indicates the number of parts required.
 - "0.1" and "2.5" indicate the length (in meters) of the respective parts.
- 3.Parentheses mean that the corresponding part is a subpart that constructs an assembly part.
- 4.Dotted lines on the Figures indicate assembly parts.

NUMERICAL INDEX OF PARTS

PART NO	PAGE	REF NO.	PART NO	PAGE	REF NO.	PART NO	PAGE	REF NO.
060702001000	26	13	A113598PXB0	6	1·2	A1404072000	12	1
11040003	30	3	A1135Q98ZA0A	6	3·4	A1408090000	10	7
40064413	28	59·60	A1135Q98ZB0A	6	1·2	A14110900A0	12	3
40064424	34	27	A11360900AA	6	9	A14130960A0	14	71
40064510	34	17	A11360900AB	6	36	A141609600AA	12	7
40064858	34	16	A1137090000	6	14	A14160960A0	12	9
40065584	22	23	A113809000A	6	10	A1417096000	12	10
40066290	34	46	A113809000B	6	37	A1419D25000A	14	50
40068159	4	46·47·73- ·74	A1138500000A	6	15	A1420001000	12	8
40070282	36	63·73·74	A1147090000	16	23	A1426096000	14	53
40071949	36	61·62·67 ~70	A1148D25000	16	22	A142609600B	14	58
40079741	36	61·62·67 ~70	A1150090000	34	7	A1430096000A	14	60
40079778	36	65·66·71- ·72	A116009000A	4	49	A14310960A0	12	44
40079815	36	65·66·71- ·72	A116098PZB0B	2	46·47·73- ·74	A1432096000A	14	52
40080274	28	48·49·75	A1160E98ZA0	4	48·75	A143209600A	14	54
40080276	28	67·68·76	A1160Q98ZB0B	2	46·47·73- ·74	A143209600C	14	56
40080437	8	41·68	A1161008000A	34	23	A1433096000	12	47
40080438	4	48·75	A1161090000	4	50	A1434096000	14	55
40080439	4	46·47·73- ·74	A1201D980A0	10	16	A1440D250A0A	14	63
40080802	36	63·73·74	A1202090000	10	18	A1450096000	12	43
A1109090AA0A	38	1	A1203007000	10	19	A1450D250A0	12	42
A1109090BA0A	38	2	A12030080A0	18	49	A1450D250B0	12	39
A1109E98Z00	2	8	A12030080A0	20	2	A1451096000	14	57
A1109E98ZB0	2	7	A1204090000	10	27	A1452096000	14	48
A1109E98ZC0	2	6	A12050900A0	10	21	A1453096000	12	45
A1110D980A0	2	11	A12070900A0	16	4	A1501090000	22	4
A1112090000	2	9	A1208090000	16	2	A1502090000	6	38
A1112D98000	2	12	A1209072000	10	8	A150209000A	6	6
A1113E98ZA0	2	13	A1210D25000	10	23	A150209000B	6	5
A1116D25000	4	69	A1219907000	10	9	A150209000C	6	39
A1116D250A0	4	67	A1225090000	10	29	A1503D250A0	22	2
A1118E98Z00	2	15	A1226D98000	10	24	A1505D25000	22	3
A1120202000	2	2	A1227D98000	10	26	A15070960A0	22	6
A1120313000	4	71	A1228090000A	10	34	A1508090000	22	8
A1120334000	4	56	A1229090000	10	33	A1509090000	22	1
A1121090000	2	3	A1230500000A	10	35	A1512X28000	22	12
A1121313000	4	70	A1232090000A	10	30	A1513X28000	22	11
A1128096000	6	12	A1244096000	10	31	A1515090000	22	9
A1132025000	22	5	A1248096000	10	32	A151709000A	24	48
A11340900A0	6	29	A1401096000A	12	6	A151709000B	22	46
A113598PXA0	6	3·4	A14010960B0A	12	5	A151709000C	22	44
			A1402090000	12	2	A151709000D	22	45
			A1402096000A	12	11	A15170900A0	22	43
			A1403090000	12	12	A1518090000	24	49
						A1519090000	24	50

NUMERICAL INDEX OF PARTS

PART NO	PAGE	REF NO.	PART NO	PAGE	REF NO.	PART NO	PAGE	REF NO.
A1601096000	16	44	A1710090000	16	40	A19040900A0	10	4
A1601096000	20	8	A1711090000	16	43	A2310D250A0A	32	59
A1602090000	16	31	A17120900A0	32	51	A2400D250A0A	32	62
A1603090000	16	33	A1723D25000	30	39	A2401D25000	32	64
A1604090000	18	51	A1724D250A0	30	32	A24020900A0B	12	37
A1604090000	20	1	A1726D25000A	30	29	A2435033000	2	30
A16050900A0	16	35	A1727D250A0A	30	28	A2435033000	30	41
A1606090000	16	41	A172809000A	30	31	A2440D250A0	22	32
A16120900A0	16	45	A1729D25000	30	35	A2440D250C0	22	29
A16140900A0	16	8	A173009000A	32	52	A2441096000	22	41
A1618090000	16	29	A173009000B	32	54	A2444090000	22	34
A16190900A0	16	10	A1732D25000	32	55	A24460960A0	20	28
A16200900A0	18	57	A1733D25000	30	34	A2447090000	22	37
A16200900B0	18	55	A1735D25000	30	38	A2448090000	22	38
A1621090000	18	56	A1735D25A00	30	57	A2449090000	22	31
A16220900A0	16	13	A1735D25A00	32	57	A2461D25000	12	35
A1623090000	18	60	A1801D98000	12	29	A2462D25000	12	26
A1625090000A	16	16	A1802007000	12	27	A2464D250A0	32	69
A1626090000A	18	53	A1804007000	14	68	A2467D25000	32	71
A1627090000A	16	15	A1805D980A0	14	61	A2469T70000	32	72
A1628090000A	18	61	A1807090000A	12	30	A2470D250A0	32	67
A1635090000	16	42	A180909600A	12	31	A2470T70000	32	61
A16470960A0A	16	25	A1809D98000	14	70	A3106202000	22	28
A1652090000	16	24	A1830D250AA	12	24	A31099DC000	30	43
A1653090000	16	20	A18350900A0B	12	17	A3111D98000	2	35
A1661096000	20	24	A1835090A00A	12	18	A311209000AA	2	37
A1662096000	20	12	A183770000A	12	21	A3114D25000	2	20
A1663096000	20	11	A1837D250AB	12	22	A3115D25000	8	53
A16650960A0A	20	10	A1869090000	30	14	A3116Q98Z00	8	54
A16650960B0A	20	9	A1870D250A0A	30	20	A3117090000	8	55
A1667096000	20	13	A1870D250C0A	30	16	A31180900A0	8	59
A1668096000	20	20	A18720900A0	30	5	A3119096000	8	57
A16710960A0A	20	19	A18720900B0B	30	1	A3120D250A0	8	63
A1673096000	20	21	A1873090000	30	2	A3122D250A0	2	36
A1674D250A0	20	16	A18760900A0	30	18	A3123D25000	8	65
A1683090000	18	58	A18780900A0A	30	22	A3124096A00	2	45
A1701090000	16	3	A1880090000	30	24	A3124D25000	2	43
A1702096000	20	25	A1881090000	30	21	A3127090000B	2	38
A17020960A0	20	23	A1882D25000	30	12	A3128098000	2	33
A17040900A0	20	5	A1890090000B	30	10	A3130700000	30	25
A1705D98000	30	46	A18910960A0	12	33	A3132D98000	2	40
A1705D980B0A	30	44	A19010900A0	10	5	A3133D98000	2	41
A17060900A0A	30	45	A19010900B0	10	3	A3135096000	2	22
A1707090000	32	49	A19010900C0	10	1	A3151535000	8	62
A1708090000	30	47	A1902090000	10	2	A32040900A0	6	21

NUMERICAL INDEX OF PARTS

PART NO	PAGE	REF NO.	PART NO	PAGE	REF NO.	PART NO	PAGE	REF NO.
A3205090000	6	23	A4044D25000A	28	66	A7101Q98ZA0B	26	23·24
A3206030000	2	29	A407855000B	4	62	A7103D25000	2	17
A3208X28000	6	22	A407855000B	6	42	A7103E98Z0A	4	65
A321600100A	6	24	A407855000B	26	71	A7105D25000	2	4
A3217072000	6	30	A407855000B	28	71	A7110090000	10	25
A3218096000	6	32	A407855000B	32	75	A7112090000	28	50
A32190960A0	6	33	A410098PXA0A	26	38	A7113D25000	26	22
A3221096000	6	18	A4100Q98ZA0A	26	39	A7120096000	26	5·6
A3222090000	6	35	A442150C00A	36	61·62·67 ~70	A712098PX00	26	5·6
A3225096000	28	54				A71210960A0	26	10
A32260960A0A	6	19	A44219800AF	36	61·62·67 ~70	A7122D250A0A	26	7
A3227D250B0A	28	55				A72010900A0	10	14
A3228D25000	28	58	A44219800AGB	36	61·62·67 ~70	A72010900B0	10	10
A32319570A0	6	7	A450198PXA0A	26	30·31	A72030900A0	10	12
A3235096000	6	25	A4501E98Z00	26	32	A7204090000A	10	13
A3236096000	6	26	A4501Q98ZA0A	26	30·31	A7300E98ZA0B	26	36
A3406090000	22	13	A4502D25000	26	41	A8001096000A	34	22
A3407090000	22	14	A4502E98Z00	4	57	A80010960A0A	34	21
A3408090000	22	15	A4503D25000	26	33·34	A8002096000	34	26
A3410090000	22	21	A4503E98Z00	26	33·34	A8004096000	34	18
A3411090000	22	18	A4504Q98Z00	26	42	A8005096000	34	19
A3412X28000	22	19	A4505Q98ZA0A	28	59·60	A8006096000	34	28
A3413090000	22	17	A5000096000	2	27	A8401D25000	34	29
A341309000A	22	20	A50000960A0	2	26	A8501E98ZA0	34	45
A3420X28000	22	25	A5001090000	2	25	A8501E98ZB0	34	40
A3421X28000	22	26	A5002096000	2	28	A8502090000	34	47
A34250900A0A	34	43	A5133E98AB0A	34	13	A8503090000	36	49
A3801D25000	6	47	A5133E98BB0A	34	14	A8504090000	36	50
A3801D250A0	6	46	A5140E98ZA0	34	15	A85050900A0	36	51
A3802096000	6	44	A6071776ZA0A	36	61·62·67 ~70	A8508D98000	36	54
A3803096000	8	48				A8509D98000	36	56
A3804D25000A	8	51	A710000900C	26	16	A8510D98000	36	58
A3805096000	6	43	A710009000D	26	44·45	A8521090000	4	51
A3805Q98ZA0	6	41·68	A710009000E	26	46·47	A8522090000	4	53
A3811550000	4	59	A710098PX0D	26	44·45	A910198PX0CA	34	30·31
A4011096000A	28	62	A710098PX0E	26	46·47	A9101Q98Z0CA	34	30·31
A4015E98ZA0A	26	37	A710098PXA0A	26	11·12	A9102062BA0	34	8
A4016D25000	28	72	A710098PXC0A	26	1·2	A9103102000	34	3
A403201SZ00	26	25	A7100D9800A	26	17	A9104090000	34	6
A403598PXA0A	28	67·68·76	A7100D9800B	26	18	A9110700000	34	2
A4035Q98ZA0A	28	67·68·76	A7100Q98ZA0A	26	11·12	A9117007000	12	23
A404098PXA0B	28	48·49·75	A7100Q98ZC0A	26	1·2	A9117007000	34	5
A4040Q98ZA0B	28	48·49·75	A7101090000	26	28·29	A9121Q98Z00	34	11
A4042D25000	28	65	A710198PX00	26	28·29	A9121Q98ZA0A	34	1
A4043D25000A	28	51	A710198PXA0B	26	23·24	A9133090000	34	9

NUMERICAL INDEX OF PARTS

PART NO	PAGE	REF NO.	PART NO	PAGE	REF NO.	PART NO	PAGE	REF NO.
A9137956000	34	4	RE0300000K0	2	16	SM4040655SN	22	42
A9150E98ZA0A	34	12	RE0300000K0	16	34	SM4040855SP	2	23
A915365D000	36	63·73·74	RE0300000K0	22	47	SM4040855SP	30	11
A925098PX00	36	65·66·71- ·72	RE0300000K0	32	66	SM4041055SF	6	34
A9250Q98Z00	36	65·66·71- ·72	RE0400000K0	20	18	SM4041055SP	16	36
A9301D25000	34	33	RE0400000K0	30	70	SM4041055SP	20	6
A9302D25000	34	34	RE0400000K0	32	70	SM4050855SP	30	15
A9400D980AAA	34	38	RE0400000KR	26	19	SM4831001SF	6	28
A9401D980AA	34	37	RE0500000K0	30	33	SM4860655SN	16	1
A9402D250A0	34	32	RE0500000K0	20	14	SM5030355SN	14	51
A9404090000	34	39	RE0500000K0	30	19	SM5030355SN	32	73
A9405090000A	34	44	RE0600000K0	10	11	SM5030401SN	32	74
A9405D98000	34	42	RE0600000K0	12	16	SM5030455SF	6	52
A9406D98000	34	41	RE0600000K0	16	59	SM5030455SF	8	52
A9811E98AA0A	38	5·6	RE0600000K0	18	59	SM5030455SF	22	27
A9811E98BA0A	38	5·6	RE0800000K0	18	52	SM5030501SC	8	66
A98120960A0A	38	3	RE0800000K0	20	22	SM5030631SF	30	30
A98130960A0A	38	4	RE0900000K0	24	52	SM5030655SN	2	32
A9900Q98Z00	36	64	RE1000000K0	10	28	SM5030655SN	6	64
B15240120A0	22	10	SL5030531SF	26	8	SM5030655SN	8	64
B1806038000	12	28	SL5030631SF	30	36	SM5030655SN	12	40
B3120125000	2	44	SL5030631SF	34	20	SM5030655SN	16	21
B3126012000	2	39	SL5030631SS	30	26	SM5030655SN	22	30
B3129012A00	2	42	SL5030635SN	2	31	SM5030655SN	26	43
D2404555B00	30	4	SL5030635SN	6	27	SM5030655SN	30	56
D2406555D0H	30	8	SL5030635SN	36	55	SM5030655SN	32	56
D3159555B00	22	36	SL5030655SF	30	65	SM5030855SN	20	17
HA00346000A	8	49	SL5030655SF	32	65	SM5031401SE	28	52
HF0030031P0	28	69·70	SL5030801SN	2	34	SM5032051SE	26	35
HF0059050P0	28	69·70	SL5030801SN	6	31	SM5040601SE	4	60
HX00150000F	4	63	SL5030831SF	2	24	SM50406055SN	32	60
J0231082A0B	34	35	SL5030831SF	18	62	SM5040655SN	4	64
MHA100B1400	12	14	SL5030831SF	28	57	SM5040655SN	6	16
MHA1M111422	34	10	SL5030851SN	28	73	SM5040855SN	4	54
NM3040550SC	26	21	SL5031031SE	6	20	SM5040855SN	10	15
NM6030002SF	16	18	SL5031251SP	26	9	SM5040855SN	12	20
NM6040001SC	26	4	SL5040631SE	8	61	SM5040855SN	18	65
NS6620310SP	22	40	SL5040631SE	14	64	SM5040855SN	20	29
PH0200062C0	12	41	SL5041031SF	26	20	SM5040855SN	22	39
PS0200142KP	26	15	SM1040800SL	2	18	SM5040855SN	28	61
PS0200142KP	32	63	SM1860601SC	14	59	SM5040855SN	32	58
PS0200142KP	36	53	SM4020201SC	2	14	SM5041055SN	4	66
RE0200000K0	16	38	SM4020301SC	8	50	SM5041055SN	18	63
RE0250000K0	12	46	SM4020301SN	12	19	SM5041055SN	20	26
			SM4040655SN	14	65	SM5041255SN	2	5

NUMERICAL INDEX OF PARTS

PART NO	PAGE	REF NO.	PART NO	PAGE	REF NO.
SM5041255SN	18	54	WP0430801SD	20	7
SM5041255SN	22	22	WP0450816SC	32	53
SM5041455SP	16	47	WP0451016SC	26	14
SM5042005SN	8	67	WP0530516RZ	32	68
SM5050855SN	28	63	WP0620316RZ	10	6
SM5051255SN	2	72	WP0700616SP	14	67
SM5051255SN	4	72	WP0850616SP	14	66
SM5051255SN	22	24	WP1000316RZ	20	30
SM8030402TP	14	72	WP1220516RZ	24	51
SM8030402TP	16	26			
SM8030502TP	16	39			
SM8031400TP	16	19			
SM8040402TP	12	36			
SM8040402TP	20	15			
SM8040412TP	24	53			
SM8040602TP	2	19			
SM8040602TP	12	15			
SM8040602TP	16	46			
SM8040602TP	20	27			
SM8050402TP	12	62			
SM8050402TP	14	62			
SM8050602TP	10	36			
SM8050602TP	12	69			
SM8050602TP	14	69			
SM8050602TP	16	14			
SM8060502TP	10	22			
SM8060502TP	18	50			
SM8060502TP	20	3			
SM8060502TP	22	7			
SM8060510SP	12	4			
SM8060802TP	16	5			
SS2060210SP	30	9			
SS6110560TP	12	25			
ST4861051SN	4	68			
ST5030551SR	28	56			
ST5030851SN	28	74			
ST5031051SR	34	25			
ST5041051SC	26	3			
ST5041211SN	36	60			
ST5751651SN	36	48			
WP0250501SC	6	40			
WP0430801SC	18	64			
WP0430801SC	34	24			
WP0430801SD	16	48			
WP0430801SD	18	48			