

MODEL : MO-654DE

List No : 6006-00

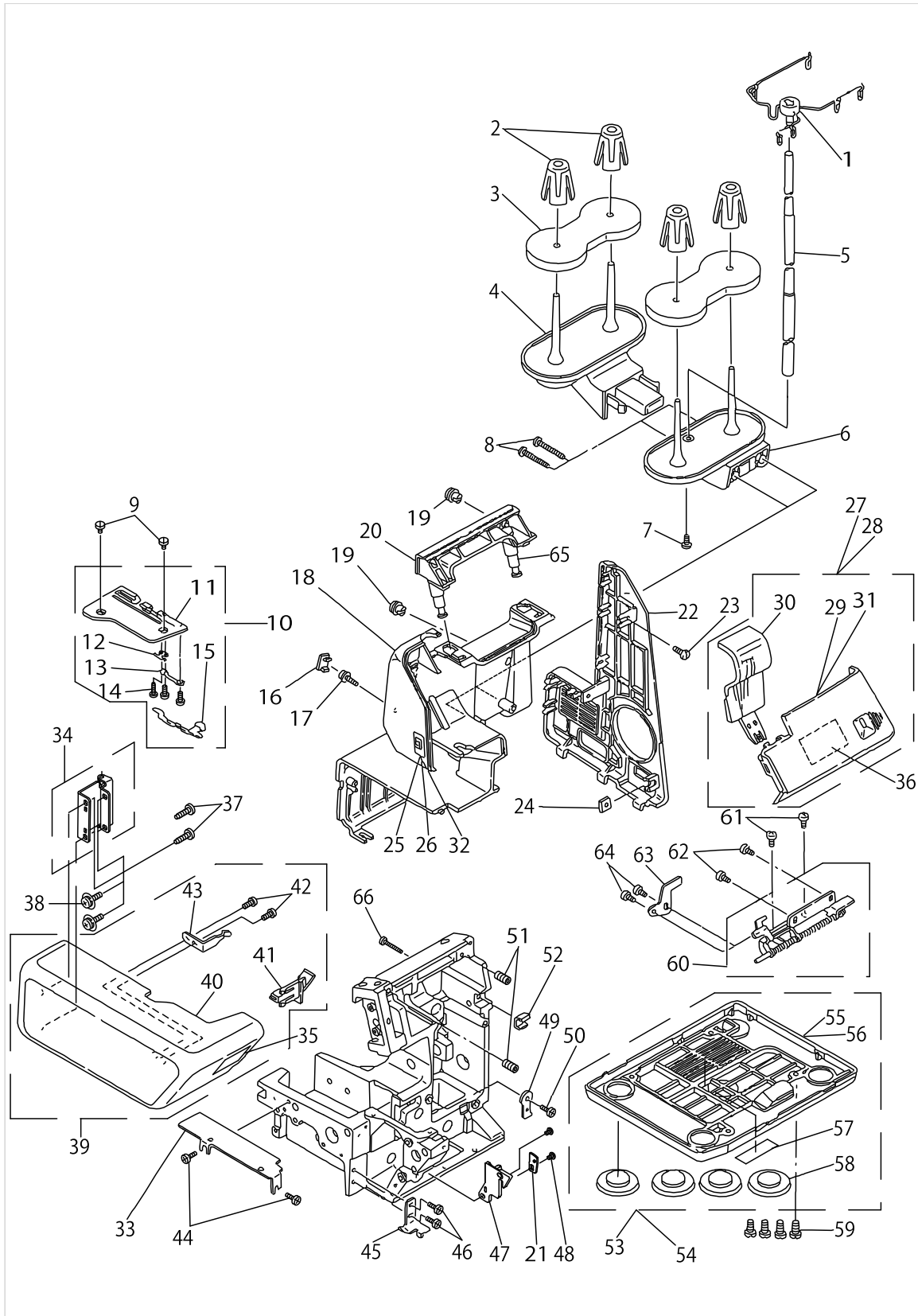
PARTS LIST

Published:09/10/2017

CONTENTS

FRAME COMPONENTS	1
NEEDLE BAR & PRESSER FOOT COMPONENTS.....	5
FEED MECHANISM COMPONENTS.....	7
LOOPER DRIVE COMPONENTS	13
KNIFE COMPONENTS.....	17
THREAD TENSION COMPONENTS	19
LAMP & MOTOR CONTROLLER COMPONENTS.....	21
ACCESSORIES PARTS COMPONENTS	23
HOW TO MAKE USE OF THIS PARTS LIST	25

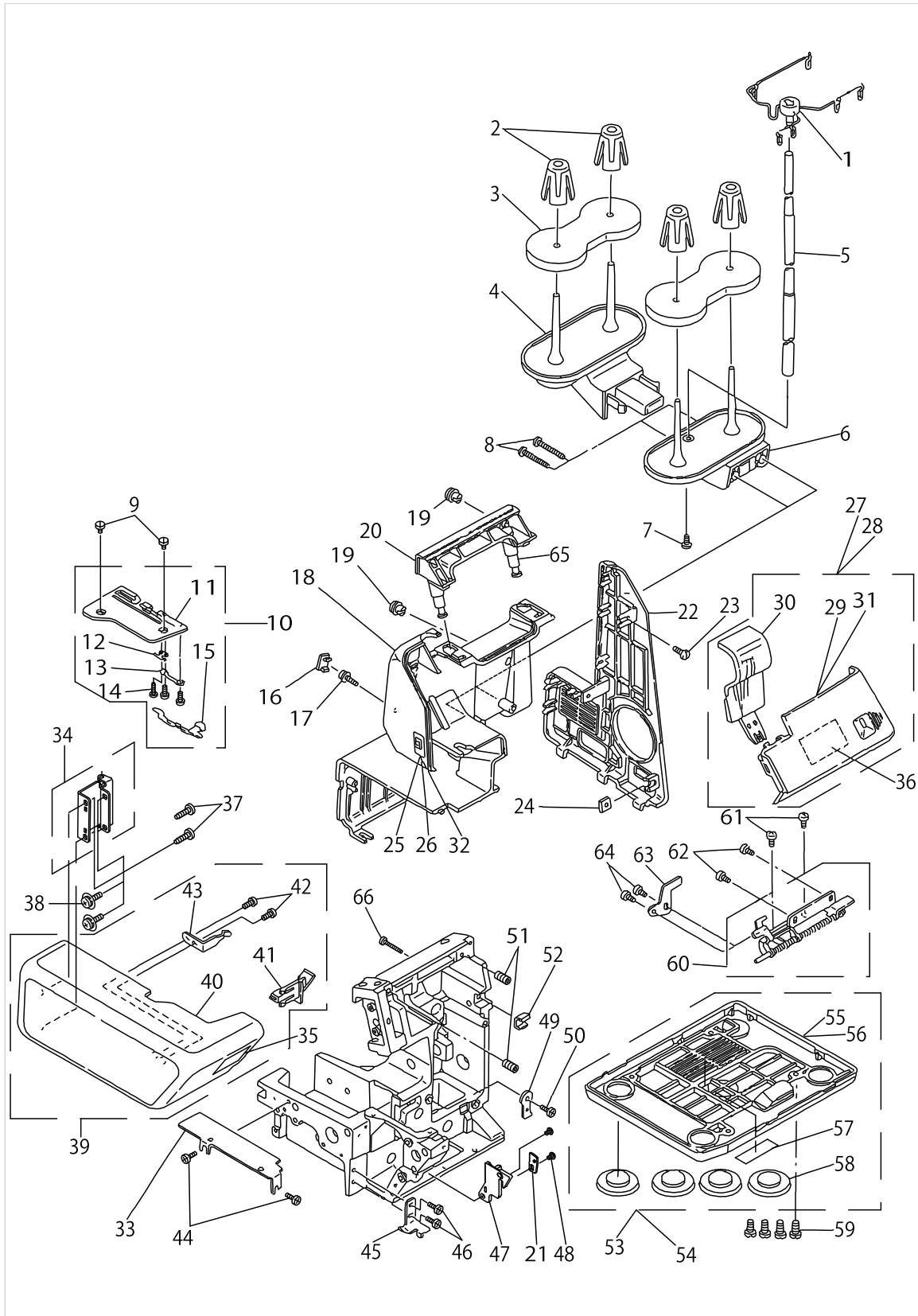
FRAME COMPONENTS



FRAME COMPONENTS

No.	Parts No.	Parts name	Remarks	Level	Cons	Qty
1	A11206440A0	THREAD GUIDE ASM.				1
2	A1120202000	SPOOL RETAINER				4
3	A1121202000	FOAM PAD				2
4	A1119644000A	SPOOL HOLDER(B)				1
5	A1120334000	SUPPORTING ROD				1
6	A1118644000A	SPOOL HOLDER(A)				1
7	SM5051255SN	SCREW				1
8	SM5043755SC	SCREW				2
9	A1138335000	SCREW				2
10	A11153340B0A	THROAT PLATE MAS.ASM.				1
11	A11153340A0	THROAT PLATE ASM.		*		1
12	A1131203000	LATCH PRESSER SPRING		*		1
13	A1132334000	THREAD SLIP GUIDE		*		1
14	SM4020351SC	SCREW		*		3
15	A1136314DA0A	THROAT PLATE THREAD SLIP ASM.		*		1
16	A1146644000	COVER CAP(B)				1
17	SL5031031SN	SCREW				1
18	A1106644000	REAR COVER W.REFLECTING SEAL				1
19	A1124644000	COVER CAP(A)				2
20	A1145644000	HANDLE				1
21	A2538554000	THREAD GUIDE LEVER PLATE				1
22	A110365D000A	SIDE COVER				1
23	SL4040831SF	SCREW				1
24	A3151535000	FRONT COVER NUT				1
25	A3123644C00	LABEL(SAUDI)				1
26	A3123644B00	LABEL(VDE/SAA)				1
27	A115165D0A0B	LOOPER COVER ASM.(UL/CSA)				1
28	A115165DBA0B	LOOPER COVER ASM VDE/SAA/SAUDI				1
29	A115165DB00A	LOOPER COVER (VDE/SAA/SAUDI)		*		1
30	A1152654000B	CHIP GUARD COVER		*		1
31	A115165DA00A	LOOPER COVER (UL/CSA)		*		1
32	A3123644A00A	LABEL(UL/CSA)				1
33	A1135535000	UPPER COVER				1
34	A11615350A0	CLOTH PLATE HINGE ASM.				1
35	A1171634000	SAFETY SWITCH SEAL				1
36	A1190654000	THREAD GUIDE SEAL				1
37	ST5041051SN	TAPING SCREW				2
38	SL5040865SN	SCREW				2
39	A11046440A0A	CLOTH PLATE ASM.				1
40	A1104644000A	CLOTH PLATE		*		1
41	A1104644A00A	CLOTH PLATE COVER		*		1
42	ST5041051SN	TAPING SCREW		*		2
43	A1160634000	CLOTH PLATE OPENING SPRING		*		1
44	SM5040855SN	SCREW				2
45	A1164535000	CLOTH PLATE PRESSER PLATE				1
46	SM5040855SN	SCREW				2
47	A1156654000A	LOOPER COVER GUIDE				1

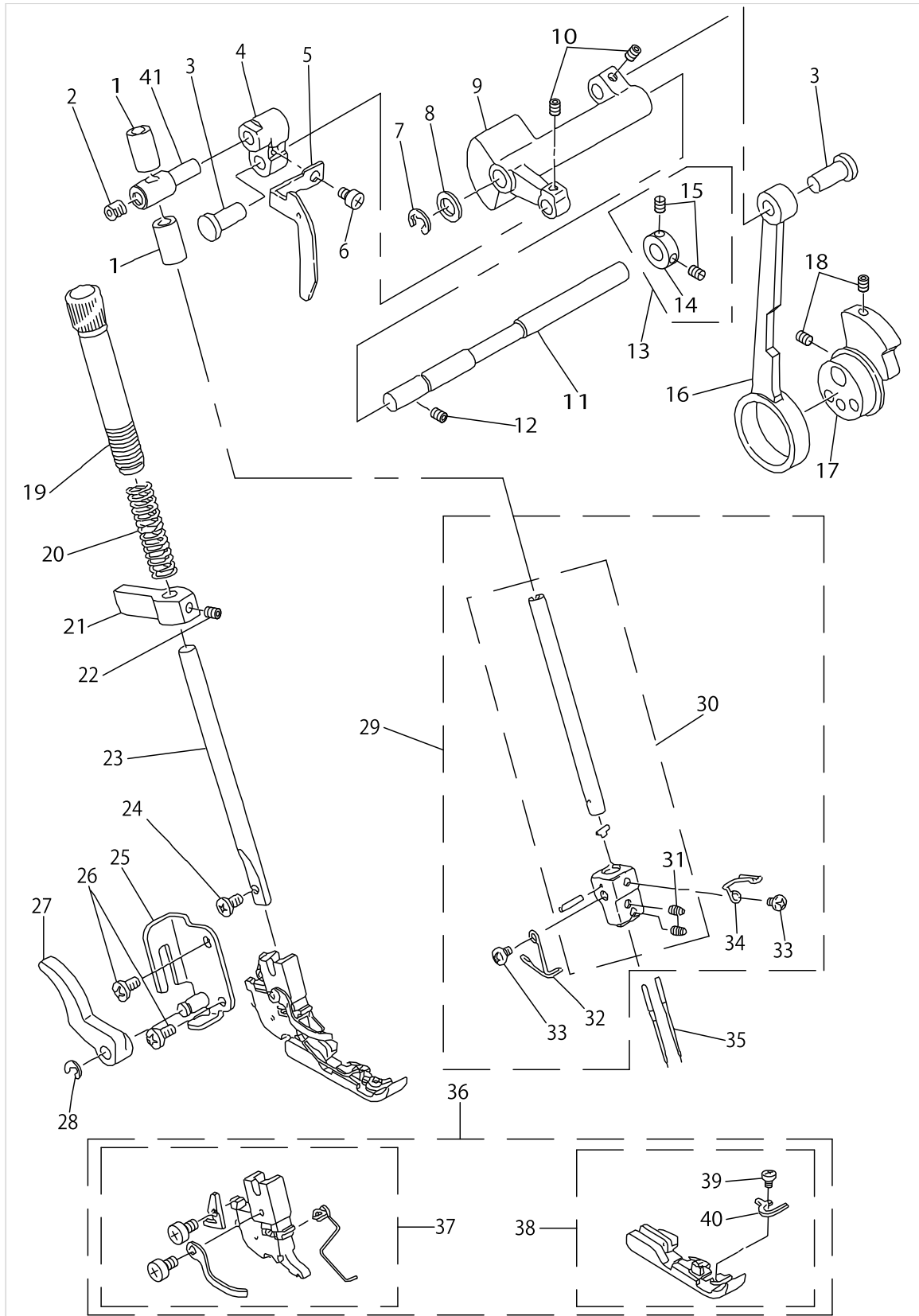
FRAME COMPONENTS



FRAME COMPONENTS

No.	Parts No.	Parts name	Remarks	Level	Cons	Qty
48	SM4040855SN	SCREW				2
49	A3161634000	FRONT COVER INSTALLATION PLATE				1
50	SM4040655SN	SCREW				1
51	SM8050842TP	SCREW				2
52	A3150535000	FRONT COVER ASM. PLATE				1
53	A11026440A0	BASE PLATE ASM.				1
54	A1102644AA0	BASE PLATE ASM.(SAUDI)				1
55	A1102644000	BASE PLATE		*		1
56	A1102644A00	BASE PLATE(DOUBLE VOLTAGE)		*		1
57	A6051634000	SEAL (SAUDI)		*		1
58	A1123535000	SUCTION FEET		*		4
59	SM5051255SN	SCREW				4
60	A11536340A0	LOOPER COVER HINGE ASM.				1
61	SM5040855SN	SCREW				2
62	ST5041051SN	TAPING SCREW				2
63	A1169634000	CHIP GUARD COVER PLATE				1
64	SM4850455SN	SCREW				2
65	A1145634A00	HANDLE INSERT ROD				2
66	SM5032555SE	SCREW				1

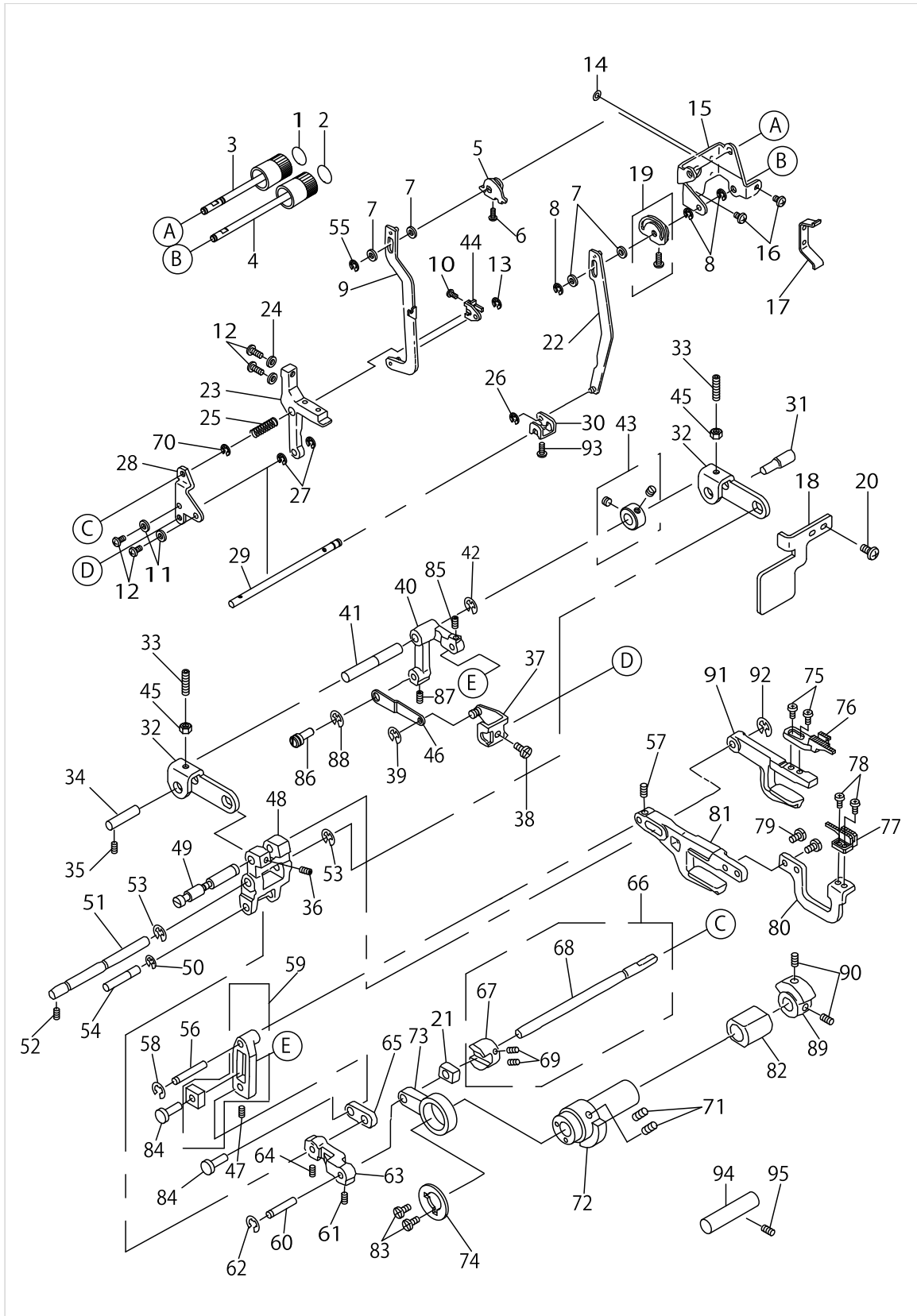
NEEDLE BAR & PRESSER FOOT COMPONENTS



NEEDLE BAR & PRESSER FOOT COMPONENTS

No.	Parts No.	Parts name	Remarks	Level	Cons	Qty
1	A1407102000	NEEDLE BAR BUSHING LOWER				2
2	SM8060602TP	SCREW				1
3	A1403102000	CONNECTING PIN				2
4	A1412535000	NEEDLE BAR LINK				1
5	A1413613000	NEEDLE THREAD TAKE-UP				1
6	SM4040655SN	SCREW				1
7	RE0600000K0	E-RING				1
8	WP0820516SP	WASHER				1
9	A1402535000	NEEDLE BAR CRANK				1
10	SM8040402TP	SCREW				2
11	A1404535000	SCREW				1
12	SM8040402TP	THRUST COLLAR ASM.				1
13	A14145020A0	THRUST COLLAR ASM.				1
14	A1414502000	SCREW		*		1
15	SM8040402SP	SCREW		*		2
16	A1403335000A	NEEDLE BAR CRANK ROD				1
17	A1401535000A	NEEDLE BAR DRIVING CAM				1
18	SM8050602TP	SCREW				2
19	A1503634000	PRESSER FOOT ADJ.SCREW				1
20	A1501535000	PRESSER SPRING				1
21	A1502535000	PRESSER BAR GUIDE BRACKET				1
22	SM8050402TP	SCREW				1
23	A1507535000	PRESSER BAR				1
24	SM5040855SN	SCREW				1
25	A15045350A0	LIFTING LEVER SET PLATE ASM.				1
26	SM5040855SN	SCREW				2
27	A1506644000	LIFTING LEVER				1
28	RE0500000K0	E-RING				1
29	A14066340B0	NEEDLE BAR ASM.				1
30	A14066340A0	NEEDLE BAR ASM.		*		1
31	A1416777000	NEEDLE SCREW		*		2
32	A1410634000	NEEDLE BAR THREAD GUIDE(B)		*		1
33	SM5030455SN	SCREW		*		2
34	A1409634000	NEEDLE BER THREAD GUIDE(A)		*		1
35	MHA100B1100	NEEDLE HAX1 #11				2
36	A15016340C0	PRESSER FOOT MAS. ASM.				1
37	A15145350C0	PRESSER FOOT SHANK ASM.		*		1
38	A15016340B0	PRESSER FOOT		*		1
39	SM4030301SC	SCREW		*		1
40	A1550634000	TAPE GUIDE PLATE		*		1
41	A1411335000	CLOTH PLATE FIXING SPRING				1

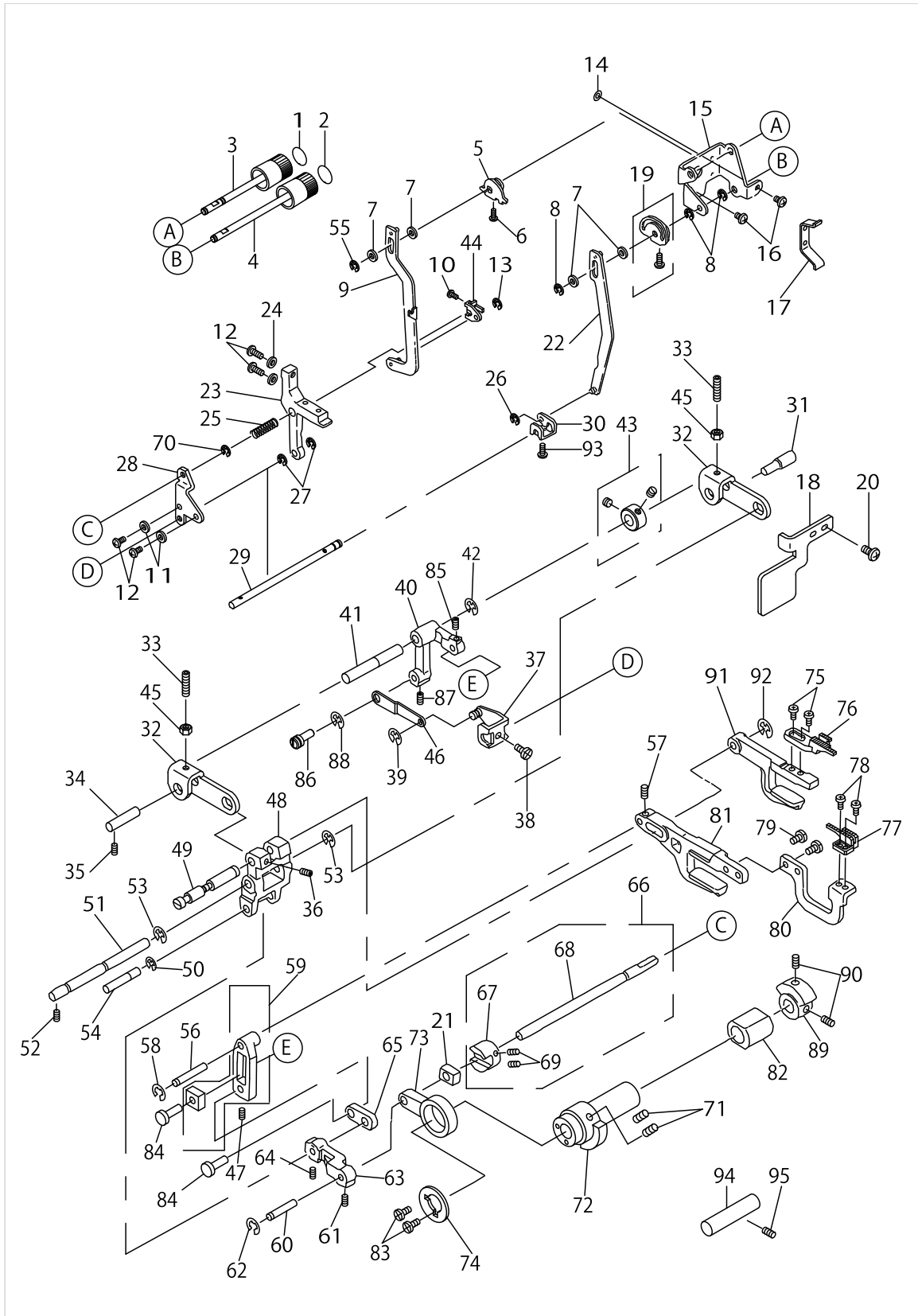
FEED MECHANISM COMPONENTS



FEED MECHANISM COMPONENTS

No.	Parts No.	Parts name	Remarks	Level	Cons	Qty
1	A160365DE00	LABEL (MAIN FEED)				1
2	A160465DE00	LABEL (DIF. FEED)				1
3	A1601655000A	MAIN FEED ADJUSTING KNOB				1
4	A160265DE00A	DIF.FEED ADJUSTING KNOB				1
5	A1613655000	MAIN FEED ADJUSTING CAM				1
6	SM5030855SN	SCREW				1
7	A1614655000	COLLAR				4
8	RE0400000KR	E-RING				3
9	A16196550A0	MAIN FEED ADJUSTING LINK ASM.				1
10	SM5030655SN	SCREW				1
11	A1636534D00	WASHER				2
12	SM5041055SN	SCREW				4
13	RE0300000K0	E-RING				1
14	A1614655000	WASHER				1
15	A1610655000	KNOB SETTING PLATE				1
16	SM5040655SN	SCREW				2
17	A1611655000	SHAFT PRESSING PLATE				1
18	A1613535000	FEED BASE GUIDE				1
19	A1615534DA0	DIF.FEED ADJUSTING CAM ASM.				1
20	SM4040655SN	SCREW				1
21	A163876600C	MAIN FEED SLIDE BLOCK				1
22	A1620534DA0	DIF.FEED ADJUSTING LINK ASM.				1
23	A1634655000A	MAIN SHAFT HOLDER BRACKET				1
24	WP0430801SC	WASHER				2
25	A1633534D00	SPRING				1
26	RE0300000K0	E-RING				1
27	RE0500000K0	E-RING				2
28	A1635534D00	MAIN SHAFT HOLDER				1
29	A1662655000A	SHAFT				1
30	A1655534D00	DIF.FEED ADJUSTING ARM(C)				1
31	A1664534D00	DIF.FEED SHAFT(B)				1
32	A1660534D00A	DIF.FEED SHAFT HOLDER				2
33	SM8031202TP	SCREW				2
34	A1663534D00	DIF.FEED SHAFT(A)				1
35	SM8040402TP	SCREW				1
36	SM8040402TP	SCREW				1
37	A1657534DA0	DIF.FEED ADJUSTING ARM(B) ASM.				1
38	SM5030655SN	SCREW				1
39	RE0300000K0	E-RING				1
40	A1661534D00	DIF.FEED ADJUSTING ARM(A)				1
41	A1659534D00A	SHAFT				1
42	RE0500000K0	E-RING				1
43	A16637760A0	DIF.FEED ADJUSTING COLLAR ASM.				1
44	A1630534D00	MAIN FEED ADJUSTING ARM				1
45	NM6030001SE	NUT				2
46	A1653534D00A	DIF.FEED ADJUSTING LINK(A-1)				1
47	SM8030402TP	SCREW				1

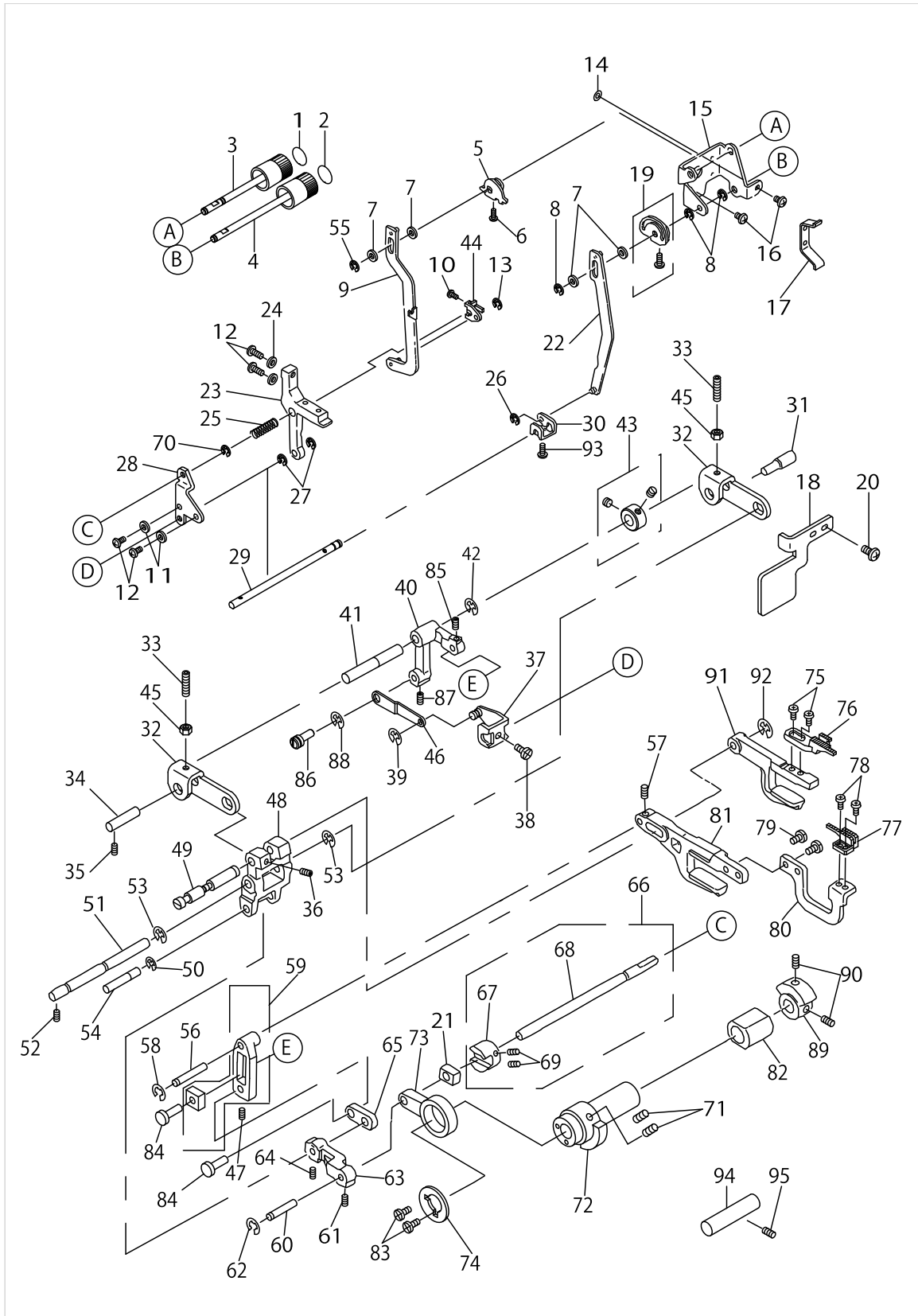
FEED MECHANISM COMPONENTS



FEED MECHANISM COMPONENTS

No.	Parts No.	Parts name	Remarks	Level	Cons	Qty
48	A1645534D00	MAIN FEED ARM				1
49	A1646534D00	BASE SUPPORTING SHAFT				1
50	RE0400000K0	E-RING				1
51	A1647534D00	MAIN FEED SHAFT				1
52	SM8040402TP	SCREW				1
53	RE0500000K0	E-RING				2
54	A1641534D00	SHAFT				1
55	RE0400000K0	E-RING				1
56	A1665534D00	SHAFT				1
57	SM8030302TP	SCREW				1
58	RE0300000K0	E-RING				1
59	A1651534DA0	DIF.FEED ARM ASM.				1
60	A1639534D00	DIF.FEED SLIDE BLOCK SHAFT				1
61	SM8030402TP	SCREW				1
62	RE0400000K0	E-RING				1
63	A1640534D00	MAIN FEED LINK				1
64	SM8030402TP	SCREW				1
65	A1650534D00	DIF.FEED LINK				1
66	A1637534DA0	MAIN FEED ADJUSTING ASM.				1
67	A1637534D00	MAIN FEED ADJUSTING		*		1
68	A1631534D00	MAIN FEED ADJUSTING SHAFT		*		1
69	SM8030402TP	SCREW		*		2
70	RE0500000K0	E-RING				1
71	SM8040602TP	SCREW				2
72	A1617534D00A	MAIN FEED CAM				1
73	A1616534D00	MAIN FEED ROD				1
74	A1618534D00	MAIN FEED THRUST PLATE				1
75	SM4030655SP	SCREW				2
76	A1627634D00	MAIN FEED DOG				1
77	A1642534D00	DIF.FEED DOG				1
78	SM4030655SP	SCREW				2
79	SM9040700SP	SCREW				2
80	A1648535000	DIF.FEED SETTING BASE				1
81	A1639535000	DIF.FEED BASE				1
82	A1630535000	VERTICAL FEED ADS.				1
83	A1618534D0A	SCREW				2
84	A2529335000	PIN				2
85	SM8030402TP	SCREW				1
86	A1654776000A	DIF.FEED ADJUSTING LINK(A)				1
87	SM8030402TP	SCREW				1
88	RE0500000K0	E-RING				1
89	A1207503000	VERTICAL FEED BALANCE WEIGHT				1
90	SM8040602TP	SCREW				2
91	A1625535000	FEED BASE ARM				1
92	RE0500000K0	E-RING				1
93	SM5030655SN	SCREW				1
94	A1612535000	FEED BASE GUIDE ROD				1

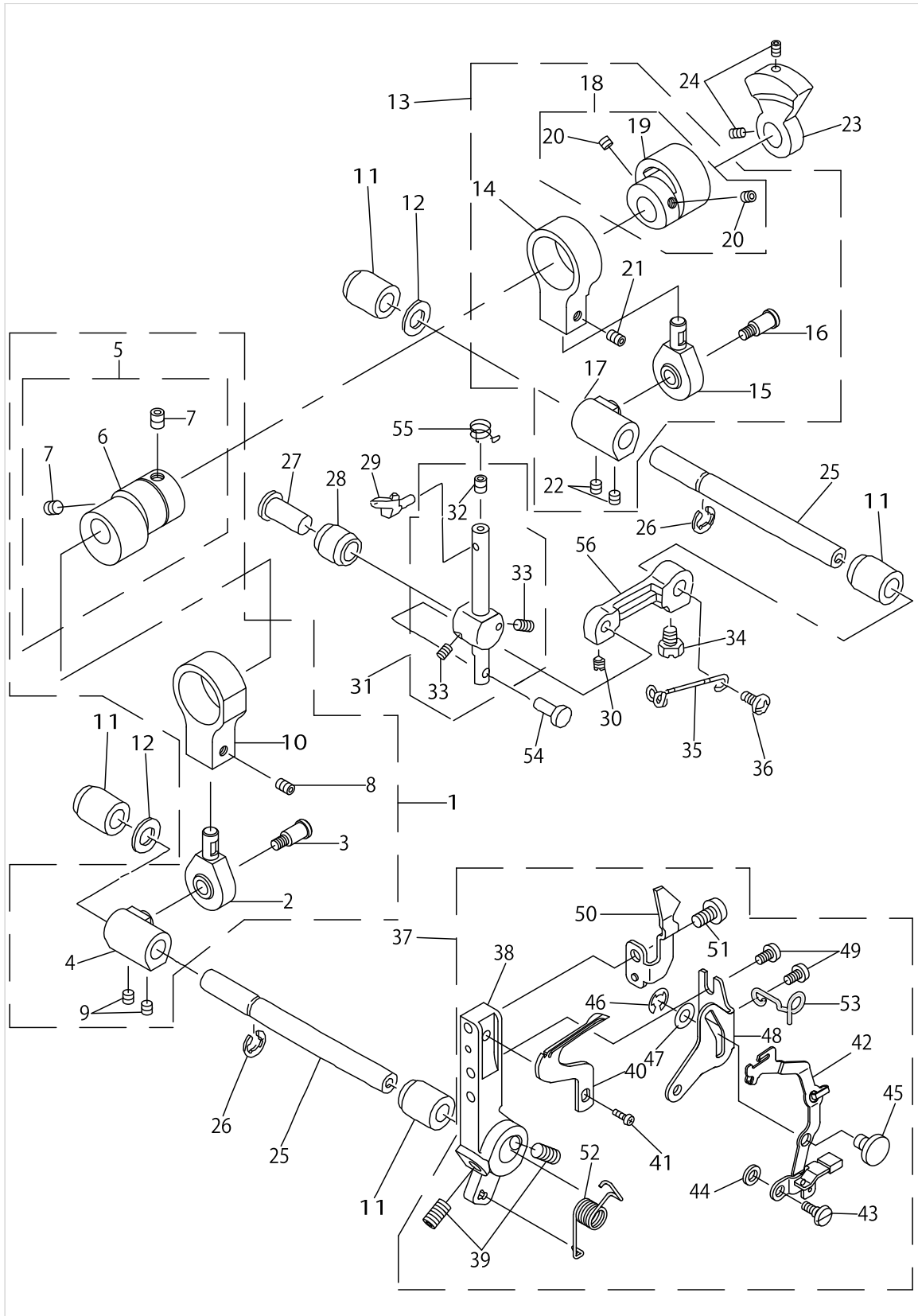
FEED MECHANISM COMPONENTS



FEED MECHANISM COMPONENTS

No.	Parts No.	Parts name	Remarks	Level	Cons	Qty
95	SM8040402TP	SCREW				1

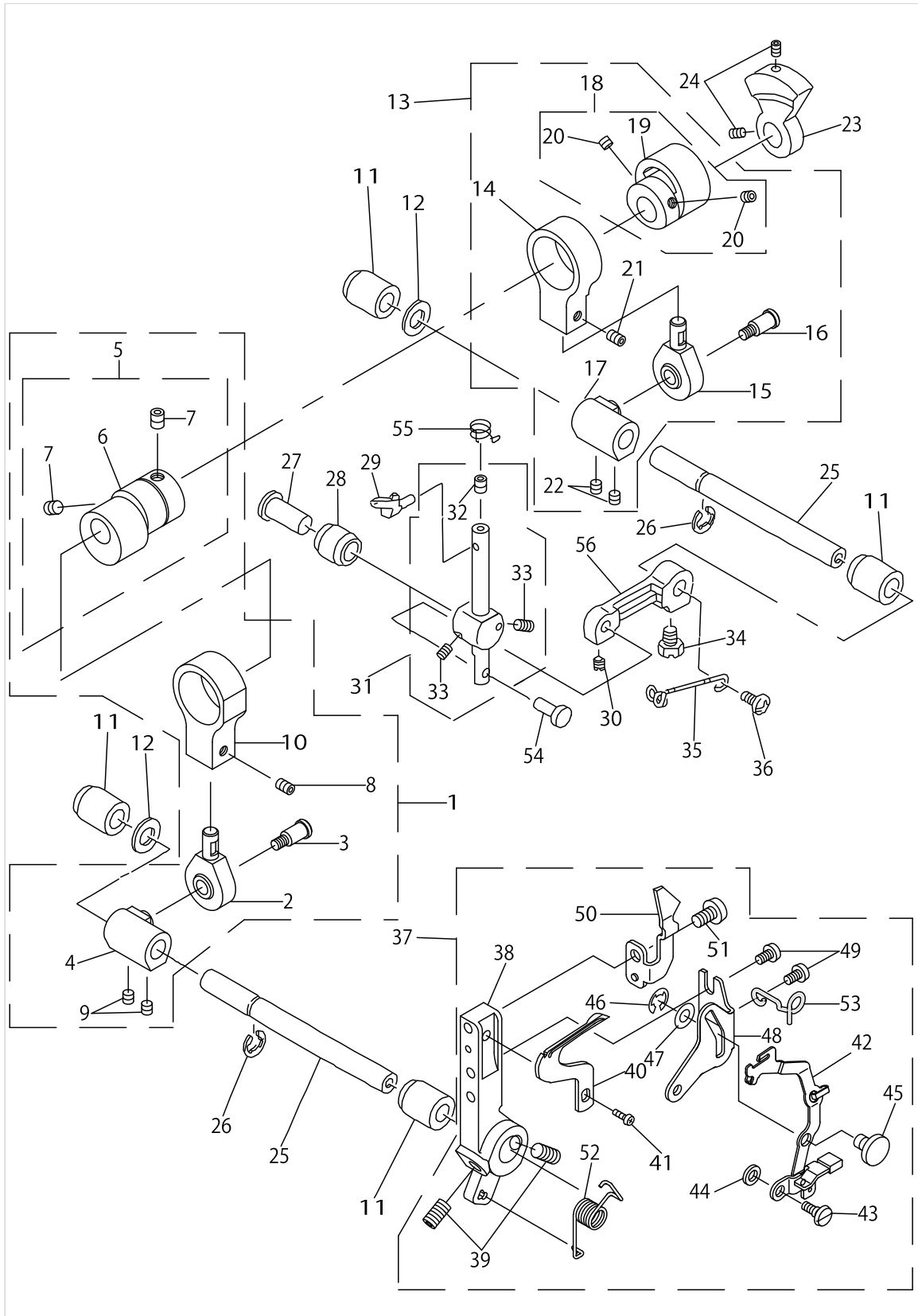
LOOPER DRIVE COMPONENTS



LOOPER DRIVE COMPONENTS

No.	Parts No.	Parts name	Remarks	Level	Cons	Qty
1	A25155340A0B	LOWER LOOPER ROD ASM.				1
2	A2503776000	CONNECTING ROD		*		1
3	A2504776000	CONNECTING SCREW		*		1
4	A2505776000	UPPER LOOPER DRIVING ARM.		*		1
5	A25145340A0B	LOWER LOOPER CAM ASM.		*		1
6	A2514534000C	LOWER LOOPER CAM		*		1
7	SM8050602TP	SCREW		*		2
8	SM8040602TP	SCREW		*		1
9	SM8040402TP	SCREW		*		2
10	A2515534000A	LOWER LOOPER ROD		*		1
11	A2112204000	BUSHING				4
12	WP0820516SP	WASHER				2
13	A25025340A0A	UPPER LOOPER ROD ASM.				1
14	A2502534000A	UPPER LOOPER ROD		*		1
15	A2503776000	LOOPER DRIVING SHAFT		*		1
16	A2504776000	LOOPER ROD SHAFT		*		1
17	A2505776000	LOOPER DRIVING ARM		*		1
18	A25015340A0A	UPPER LOOPER CAM ASM.		*		1
19	A2501534000A	UPPER LOOPER CAM		*		1
20	SM8040402TP	SCREW		*		2
21	SM8040602TP	SCREW		*		1
22	SM8040402TP	SCREW		*		2
23	A2550534000C	LOOPER BALANCER				1
24	SM8030402TP	SCREW				2
25	A2521534000	LOOPER SHAFT				2
26	RE0600000K0	E-SHAPED SNAP RING (6MM)				2
27	A2531534000	UPPER LOOPER GUIDE SHAFT				1
28	A1675335000	HORI. FEED SHAFT METAL FRONT				1
29	A2512234000	UPPER LOOPER				1
30	SM8040402TP	SCREW				1
31	A25303350AS	UPPER LOOPER SLIDE STUD ASM.				1
32	SM8050602TP	SCREW		*		1
33	SM8040402TP	SCREW		*		2
34	SM9050850SP	SCREW				1
35	A25196340A0	UPPER LOOPER THREAD TAKE-UP				1
36	SM4040655SN	SCREW				1
37	A25176540A0B	LOWER LOOPER THREADING DEVICE				1
38	A251733500S	LOWER LOOPER SUPPORT ARM		*		1
39	SM8040602TP	SCREW		*		2
40	A252633500A	LOWER LOOPER		*		1
41	SM5030655SN	SCREW		*		1
42	A25346540B0A	LOWER LOOPER THREAD GUIDE ASM.		*		1
43	A253133500S	SCREW		*		1
44	WP0320501SC	WASHER		*		1
45	A253233500S	PIN		*		1
46	RE0200000K0	E-RING		*		1
47	A253933500S	WASHER		*		1

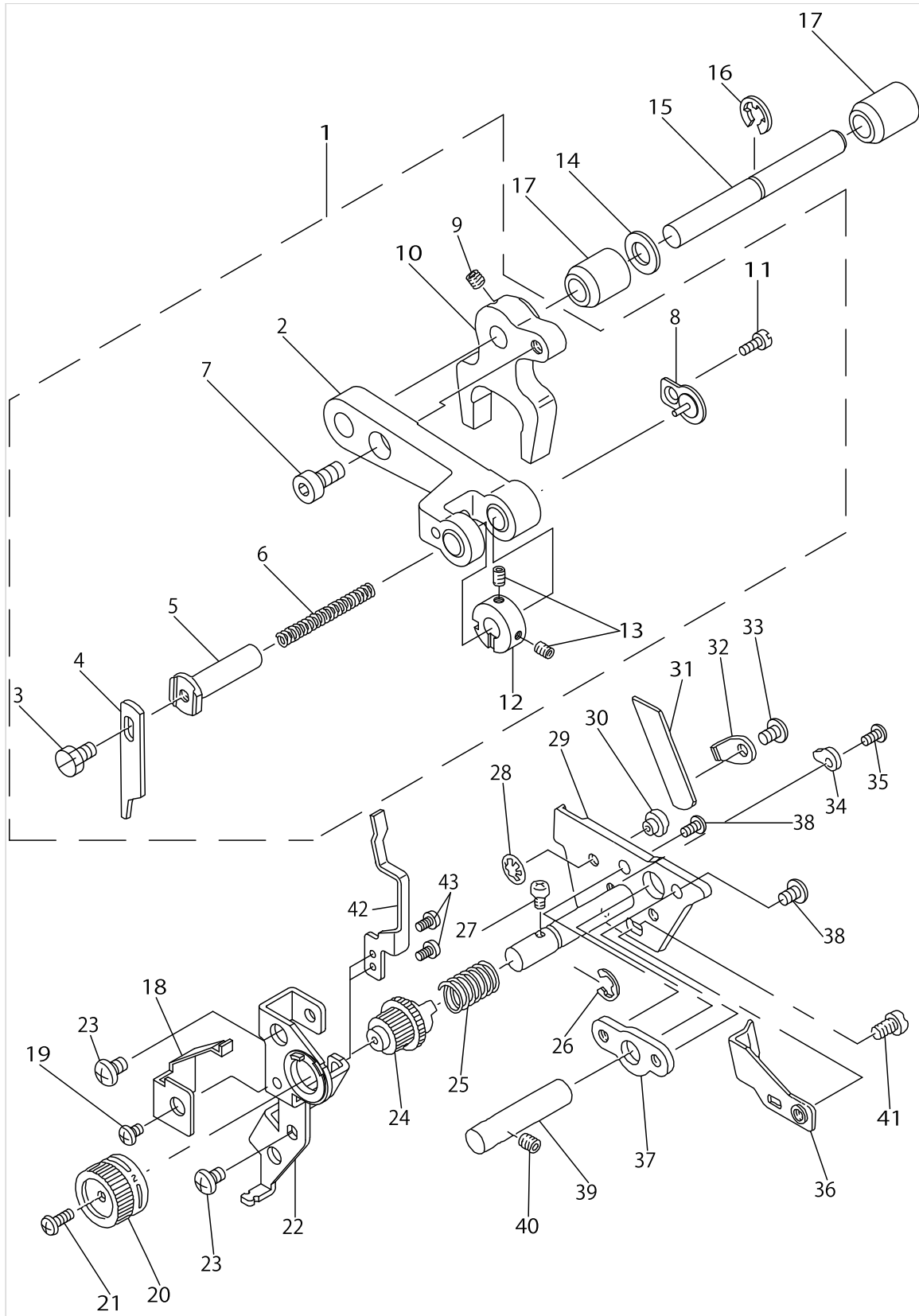
LOOPER DRIVE COMPONENTS



LOOPER DRIVE COMPONENTS

No.	Parts No.	Parts name	Remarks	Level	Cons	Qty
48	A253333500S	LOWER LOOPER THREAD GUIDE BASE		*		1
49	SM5030655SN	SCREW		*		2
50	A2536554000A	MOVABLE NEEDLE GUARD (BACK)		*		1
51	SM5030655SN	SCREW		*		1
52	A253733500SA	LO LOOPER THREAD GUIDE SPRING		*		1
53	A25206540A0	LOWER LOOPER THREAD TAKE-UP		*		1
54	A2529335000	UPPER LOOPER ARM PIN				1
55	A25215130A0	UPPER LOOPER THREAD GUIDE				1
56	A2510334000	UPPER LOOPER OSC.ARM CONNECT				1

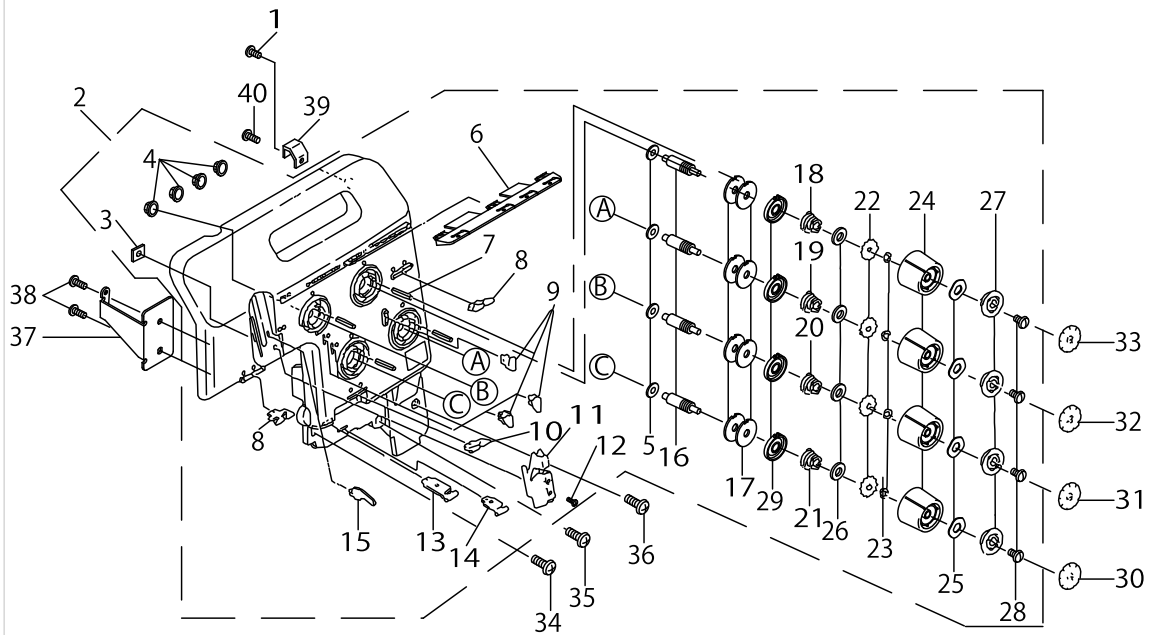
KNIFE COMPONENTS



KNIFE COMPONENTS

No.	Parts No.	Parts name	Remarks	Level	Cons	Qty
1	A41016440A0	UPPER KNIFE DRIVING ARM ASM.				1
2	A4101503000C	UPPER KNIFE DRIVING ARM		*		1
3	SM9040700SP	SCREW		*		1
4	A4142335000	UPPER KNIFE		*		1
5	A4103535000	UPPER KNIFE HOLDER		*		1
6	A4106535000	KNIFE PRESSER SPRING		*		1
7	SM6051002TP	SCREW		*		1
8	A41075020A0	KNIFE SPRING SUPPORTING PLATE		*		1
9	SM8040402TP	SCREW		*		1
10	A4102535000	UPPER KNIFE FORKED ARM		*		1
11	SM1030601SP	SCREW		*		1
12	A4105776000A	UPPER KNIFE TURNIG KNOB		*		1
13	SM8030402TP	SCREW		*		2
14	WP0820516SP	WASHER				1
15	A4108535000	UPPER KNIFE SHAFT				1
16	RE0600000K0	E-RING				1
17	A2112204000	BUSHING				2
18	A4140535000	L KNIFE ADJ CAM PRESSER SPRING				1
19	SM4030455SP	SCREW				1
20	A4130654000A	LOWER KNIFE ADJ. KNOB				1
21	ST5030851SN	SCREW				1
22	A41315350A0A	LOWER KNIFE ADJ. SUPPORT ASM.				1
23	SM4040655SN	SCREW				1
24	A4128535000	LOWER KNIFE ADJ.CAM				1
25	A4136335000	LOWER KNIFE HOLDER SPRING				1
26	RE0500000K0	E-RING				1
27	SM4030601SN	SCREW				1
28	A3205555A00	KNIFE ANGLE ADJ.SUPPORT STOPPE				1
29	A41215350AC	LOWER KNIFE HOLDER ASM.				1
30	A4149535000	LOWER KNIFE ANGLE ADJ.SUPPORT				1
31	A4145335000	LOWER KNIFE				1
32	A4123335000	LOWER KNIFE PRESSER PLATE				1
33	SM4040655SP	SCREW				1
34	A4124335000	LOWER KNIFE SUPPORTING PLATE				1
35	SM4030655SP	SCREW				1
36	A4147535000	CHIP GUARD COVER STOPPER				1
37	A4139655000	LOWER KNIFE HOLDER SUPPORT				1
38	SM4040655SP	SCREW				2
39	A4125502000	LOWER KNIFE HOLDER SHAFT				1
40	SM8040402TP	SCREW				1
41	SM4040655SP	SCREW				1
42	A2535534000A	MOVABLE NEEDLE GUARD (FRONT)				1
43	SM4030455SP	SCREW				2

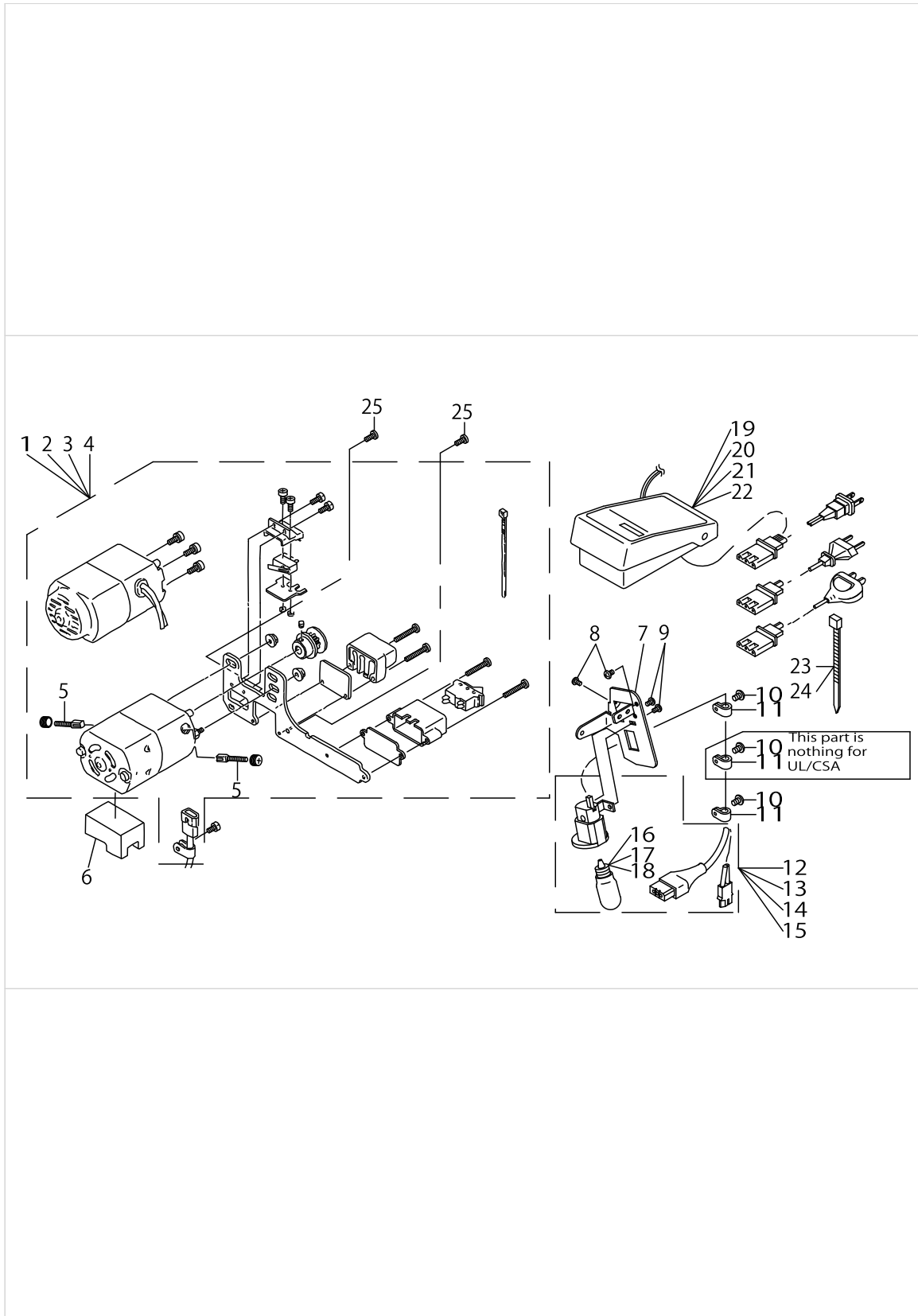
THREAD TENSION COMPONENTS



THREAD TENSION COMPONENTS

No.	Parts No.	Parts name	Remarks	Level	Cons	Qty
1	SM5030655SN	SCREW				1
2	A31016540A0A	FRONT COVER ASM.				1
3	A3151535000	NUT		*		1
4	A3103502000	NUT		*		4
5	WP0380516SD	WASHER		*		4
6	A31076540B0	1 ST THREAD GUIDE		*		1
7	PS0200202KH	PIN		*		4
8	A3118204000	NEEDLE THREAD GUIDE		*		2
9	A3110202000	THREAD GUIDE B		*		3
10	A3157535000	THREAD GUIDE A		*		1
11	A31195540A0	NEEDLE THREAD TAKE-UP COVER		*		1
12	SM5030855SN	SCREW		*		1
13	A31576340A0	THREAD GUIDE(C)(UPPER LOOPER)		*		1
14	A31576340AA	THREAD GUIDE(D)(LOWER LOOPER)		*		1
15	A3130634000	NEEDLE THREAD GUIDE PLATE		*		1
16	A3102202000	NEEDLE THREAD TENSION SHAFT		*		4
17	B3126352000	TENSION DISC		*		8
18	A3901634000	SPRING		*		1
19	A3901634000	SPRING		*		1
20	A3906634000	SPRING		*		1
21	A3902634000	SPRING		*		1
22	A3134634000	TENSION NUT		*		4
23	WP0510516SD	WASHER		*		4
24	A3104654000A	THREAD ADJUSTING DIAL		*		4
25	A3106202000	WAVED WASHER		*		4
26	A3158535000	THREAD ADJUSTING SPRING WASHER		*		4
27	A3105535000	DIAL PRESER PLATE		*		4
28	A3109534000	SCREW		*		4
29	A3900634000	THREAD TENSION SPRING BUSHING		*		4
30	A3112644000	SEAL (UPPER LOOPER)				1
31	A3114644000	SEAL (LEFT-HAND NEEDLE)				1
32	A3113644000	SEAL (LOWER LOOPER)				1
33	A3111644000	SEAL (RIGHT-HAND NEEDLE)				1
34	SM5040655SN	SCREW				1
35	SM5041055SN	SCREW				1
36	SM5030855SN	SCREW				1
37	A3154634000A	FRONT COVER SETTING HOLDER				1
38	ST5031051SN	TAPPING SCREW				2
39	A3158634000	FRONT COVER FIX PLATE (A)				1
40	ST5031051SN	TAPPING SCREW				1

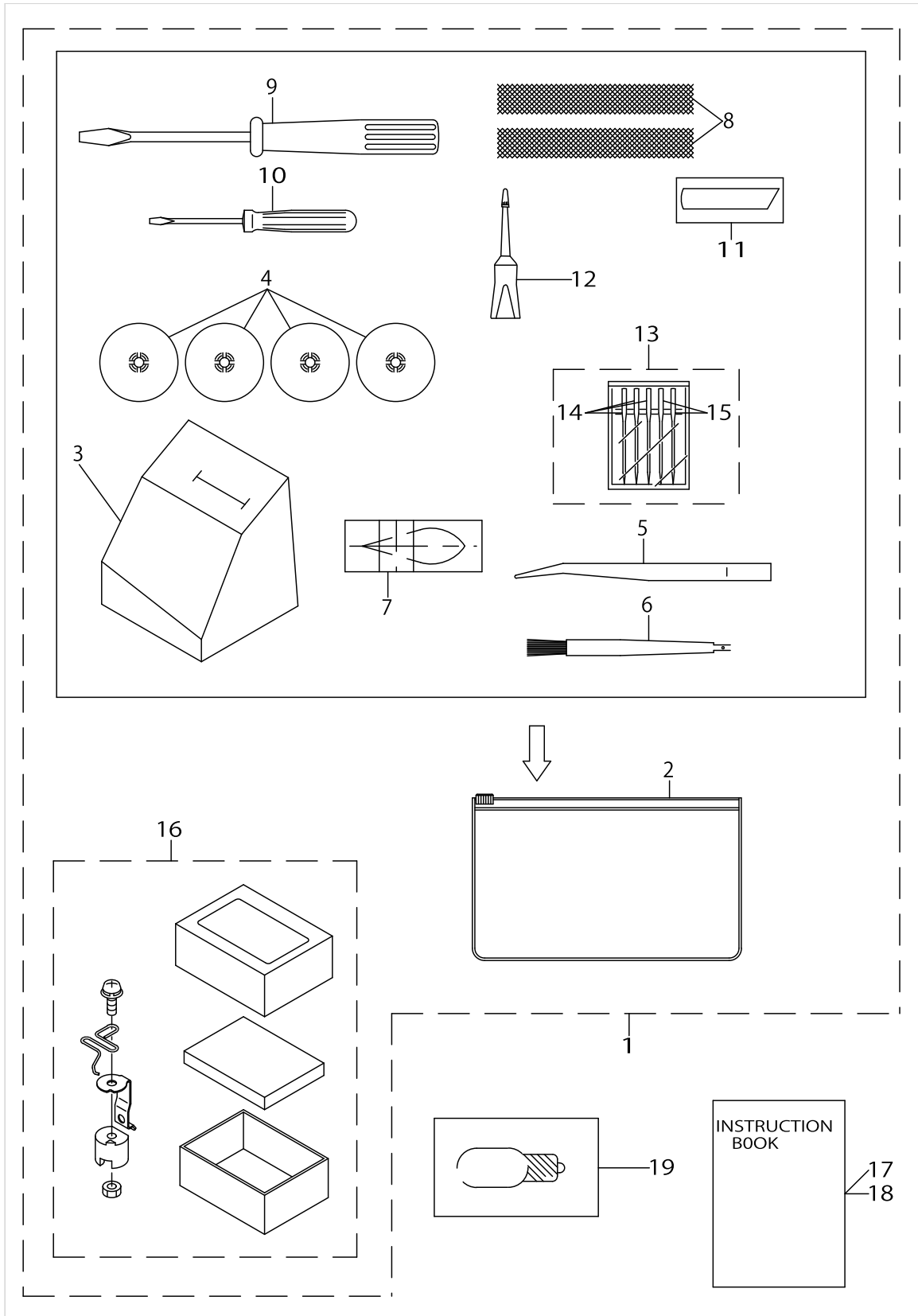
LAMP & MOTOR CONTROLLER COMPONENTS



LAMP & MOTOR CONTROLLER COMPONENTS

No.	Parts No.	Parts name	Remarks	Level	Cons	Qty
1	A6301634HA0	MOTOR ASM.(SAUDI)				1
2	A6301634DA0B	MOTOR ASM.(UL/CSA)				1
3	A6301634GA0A	MOTOR ASM.(VDE)				1
4	A6301634GA0A	MOTOR ASM.(SAA)				1
5	A6090534000	CARBON BRUSH(UL/CSA)		*		2
6	A6003535000	MOTOR PROTECTOR				1
7	A6007634000	LAMP HOLDER SUPPORT				1
8	SM4040655SN	SCREW				2
9	SM5030555SC	SCREW				2
10	SM4040655SN	SCREW				3
11	HX00150000B	CABLE CLIP				3
12	A60066340A0	LAMP HOLDER ASM.(SAUDI)				1
13	A600653401D	LAMP HOLDER ASM.(UL/CSA)				1
14	A60066340ABA	LAMP HOLDER ASM.(VDE)				1
15	A60066340ABA	LAMP HOLDER ASM.(SAA)				1
16	A6013535000	LAMP (UL/CSA)		*		1
17	A6013534C00	LAMP (VDE/SAA)		*		1
18	A6007134E00	LAMP (SAUDI)		*		1
19	A6401634H00	FOOT CONT. ASM.(SAUDI)				1
20	A6401634DA0C	FOOT CONT. ASM.(UL/CSA)				1
21	A64016440AAA	FOOT CONT. ASM.(VDE)				1
22	A6401634GA0B	FOOT CONT. ASM.(SAA)				1
23	EA9500B0200	CABLE BAND (VDE/SAA/SAUDI)				2
24	EA9500B0200	CABLE BAND (UL/CSA)				1
25	SL5040865SN	SCREW				2

ACCESSORIES PARTS COMPONENTS



ACCESSORIES PARTS COMPONENTS

No.	Parts No.	Parts name	Remarks	Level	Cons	Qty
1	A91216540A0	ACCESSORY BAG ASM.				1
2	A9121503000A	ACCESSORIES BAG WITH ZIPPER		*		1
3	A9102644000	VINYL COVER		*		1
4	A115098000A	SPOOL RETAINER		*		4
5	A9109202000	TWEEZERS		*		1
6	A9105334000	NEEDLE INSERTER TOOL/BRUSH		*		1
7	A91072020AA	NEEDLE THREADER WITH PACK		*		1
8	A9116335000	PLASTIC NET		*		2
9	A9103102000	SCREW DRIVER LARGE		*		1
10	A9107800M00	SCREW DRIVER SMALL		*		1
11	A41455340A0	LOWER KNIFE WITH PACK		*		1
12	A91041020A0	OILER WITH OIL ASM		*		1
13	A91176340A0	NEEDLE SET WITH CASE		*		1
14	MHA100B1100	NEEDLE HAX1 #11		*		3
15	MJL200B1100	NEEDLE JLX2 #11		*		2
16	A91303350BS	2/3THREAD SELECTOR ATT.ASM.		*		1
17	A915065400A	MANUAL(ENG/SPA/GAR/FRA)				1
18	A915065400B	MANUAL(CZECH/POL/HUNG)				1
19	A6013634HA0	LAMP ASM.(SAUDI)				1

HOW TO MAKE USE OF THIS PARTS LIST

- 1.As to "#01" and "#02" refer to the "Note" given at the bottom of the respective pages.
- 2.Codes on the "Qty" column
 - Each numeral indicates the number of parts required.
 - "0.1" and "2.5" indicate the length (in meters) of the respective parts.
- 3.Parentheses mean that the corresponding part is a subpart that constructs an assembly part.
- 4.Dotted lines on the Figures indicate assembly parts.

NUMERICAL INDEX OF PARTS

PART NO	PAGE	REF NO.	PART NO	PAGE	REF NO.	PART NO	PAGE	REF NO.
A1102644000	4	55	A1403335000A	6	16	A1633534D00	8	25
A11026440A0	4	53	A1404535000	6	11	A1634655000A	8	23
A1102644A00	4	56	A14066340A0	6	30	A1635534D00	8	28
A1102644AA0	4	54	A14066340B0	6	29	A1636534D00	8	11
A110365D000A	2	22	A1407102000	6	1	A1637534D00	10	67
A1104644000A	2	40	A1409634000	6	34	A1637534DA0	10	66
A11046440A0A	2	39	A1410634000	6	32	A163876600C	8	21
A1104644A00A	2	41	A1411335000	6	41	A1639534D00	10	60
A1106644000	2	18	A1412535000	6	4	A1639535000	10	81
A11153340A0	2	11	A1413613000	6	5	A1640534D00	10	63
A11153340B0A	2	10	A1414502000	6	14	A1641534D00	10	54
A1118644000A	2	6	A14145020A0	6	13	A1642534D00	10	77
A1119644000A	2	4	A1416777000	6	31	A1645534D00	10	48
A1120202000	2	2	A1501535000	6	20	A1646534D00	10	49
A1120334000	2	5	A15016340B0	6	38	A1647534D00	10	51
A11206440A0	2	1	A15016340C0	6	36	A1648535000	10	80
A1121202000	2	3	A1502535000	6	21	A1650534D00	10	65
A1123535000	4	58	A1503634000	6	19	A1651534DA0	10	59
A1124644000	2	19	A15045350A0	6	25	A1653534D00A	8	46
A1131203000	2	12	A1506644000	6	27	A1654776000A	10	86
A1132334000	2	13	A1507535000	6	23	A1655534D00	8	30
A1135535000	2	33	A15145350C0	6	37	A1657534DA0	8	37
A1136314DA0A	2	15	A1550634000	6	40	A1659534D00A	8	41
A1138335000	2	9	A1601655000A	8	3	A1660534D00A	8	32
A1145634A00	4	65	A160265DE00A	8	4	A1661534D00	8	40
A1145644000	2	20	A160365DE00	8	1	A1662655000A	8	29
A1146644000	2	16	A160465DE00	8	2	A1663534D00	8	34
A115098000A	24	4	A1610655000	8	15	A16637760A0	8	43
A115165D0A0B	2	27	A1611655000	8	17	A1664534D00	8	31
A115165DA00A	2	31	A1612535000	10	94	A1665534D00	10	56
A115165DB00A	2	29	A1613535000	8	18	A1675335000	14	28
A115165DBA0B	2	28	A1613655000	8	5	A2112204000	14	11
A1152654000B	2	30	A1614655000	8	14	A2112204000	18	17
A11536340A0	4	60	A1615534DA0	8	19	A2501534000A	14	19
A1156654000A	2	47	A1616534D00	10	73	A25015340A0A	14	18
A1160634000	2	43	A1617534D00A	10	72	A2502534000A	14	14
A11615350A0	2	34	A1618534D00	10	74	A25025340A0A	14	13
A1164535000	2	45	A1618534D0A	10	83	A2503776000	14	15
A1169634000	4	63	A16196550A0	8	9	A2504776000	14	16
A1171634000	2	35	A1620534DA0	8	22	A2505776000	14	17
A1190654000	2	36	A1625535000	10	91	A2510334000	16	56
A1207503000	10	89	A1627634D00	10	76	A2512234000	14	29
A1401535000A	6	17	A1630534D00	8	44	A2514534000C	14	6
A1402535000	6	9	A1630535000	10	82	A25145340A0B	14	5
A1403102000	6	3	A1631534D00	10	68	A2515534000A	14	10

NUMERICAL INDEX OF PARTS

PART NO	PAGE	REF NO.	PART NO	PAGE	REF NO.	PART NO	PAGE	REF NO.
A25155340A0B	14	1	A3154634000A	20	37	A6090534000	22	5
A251733500S	14	38	A3157535000	20	10	A6301634DA0B	22	2
A25176540A0B	14	37	A31576340A0	20	13	A6301634GA0A	22	4
A25196340A0	14	35	A31576340AA	20	14	A6301634HA0	22	1
A25206540A0	16	53	A3158535000	20	26	A6401634DA0C	22	20
A25215130A0	16	55	A3158634000	20	39	A6401634GA0B	22	22
A2521534000	14	25	A3161634000	4	49	A6401634H00	22	19
A252633500A	14	40	A3205555A00	18	28	A64016440AAA	22	21
A2529335000	10	84	A3900634000	20	29	A9102644000	24	3
A2529335000	16	54	A3901634000	20	19	A9103102000	24	9
A25303350AS	14	31	A3902634000	20	21	A91041020A0	24	12
A253133500S	14	43	A3906634000	20	20	A9105334000	24	6
A2531534000	14	27	A4101503000C	18	2	A91072020AA	24	7
A253233500S	14	45	A41016440A0	18	1	A9107800M00	24	10
A253333500S	16	48	A4102535000	18	10	A9109202000	24	5
A25346540B0A	14	42	A4103535000	18	5	A9116335000	24	8
A2535534000A	18	42	A4105776000A	18	12	A91176340A0	24	13
A2536554000A	16	50	A4106535000	18	6	A9121503000A	24	2
A253733500SA	16	52	A41075020A0	18	8	A91216540A0	24	1
A2538554000	2	21	A4108535000	18	15	A91303350BS	24	16
A253933500S	14	47	A41215350AC	18	29	A915065400A	24	17
A2550534000C	14	23	A4123335000	18	32	A915065400B	24	18
A31016540A0A	20	2	A4124335000	18	34	B3126352000	20	17
A3102202000	20	16	A4125502000	18	39	EA9500B0200	22	24
A3103502000	20	4	A4128535000	18	24	HX00150000B	22	11
A3104654000A	20	24	A4130654000A	18	20	MHA100B1100	6	35
A3105535000	20	27	A41315350A0A	18	22	MHA100B1100	24	14
A3106202000	20	25	A4136335000	18	25	MJL200B1100	24	15
A31076540B0	20	6	A4139655000	18	37	NM6030001SE	8	45
A3109534000	20	28	A4140535000	18	18	PS0200202KH	20	7
A3110202000	20	9	A4142335000	18	4	RE0200000K0	14	46
A3111644000	20	33	A4145335000	18	31	RE0300000K0	8	58
A3112644000	20	30	A41455340A0	24	11	RE0300000K0	10	58
A3113644000	20	32	A4147535000	18	36	RE0400000K0	10	62
A3114644000	20	31	A4149535000	18	30	RE0400000KR	8	8
A3118204000	20	8	A6003535000	22	6	RE0500000K0	6	28
A31195540A0	20	11	A600653401D	22	13	RE0500000K0	8	92
A3123644A00A	2	32	A60066340A0	22	12	RE0500000K0	10	92
A3123644B00	2	26	A60066340ABA	22	15	RE0500000K0	18	26
A3123644C00	2	25	A6007134E00	22	18	RE0600000K0	6	7
A3130634000	20	15	A6007634000	22	7	RE0600000K0	14	26
A3134634000	20	22	A6013534C00	22	17	RE0600000K0	18	16
A3150535000	4	52	A6013535000	22	16	SL4040831SF	2	23
A3151535000	2	24	A6013634HA0	24	19	SL5031031SN	2	17
A3151535000	20	3	A6051634000	4	57	SL5040865SN	2	38

NUMERICAL INDEX OF PARTS

PART NO	PAGE	REF NO.	PART NO	PAGE	REF NO.
SL5040865SN	22	25	SM8040402TP	6	12
SM1030601SP	18	11	SM8040402TP	8	95
SM4020351SC	2	14	SM8040402TP	10	95
SM4030301SC	6	39	SM8040402TP	12	95
SM4030455SP	18	43	SM8040402TP	14	33
SM4030601SN	18	27	SM8040402TP	18	40
SM4030655SP	10	78	SM8040602TP	10	90
SM4030655SP	18	35	SM8040602TP	14	39
SM4040655SN	4	50	SM8050402TP	6	22
SM4040655SN	6	6	SM8050602TP	6	18
SM4040655SN	8	20	SM8050602TP	14	32
SM4040655SN	14	36	SM8050842TP	4	51
SM4040655SN	18	23	SM8060602TP	6	2
SM4040655SN	22	10	SM9040700SP	10	79
SM4040655SP	18	41	SM9040700SP	18	3
SM4040855SN	4	48	SM9050850SP	14	34
SM4850455SN	4	64	ST5030851SN	18	21
SM5030455SN	6	33	ST5031051SN	20	40
SM5030555SC	22	9	ST5041051SN	2	62
SM5030655SN	8	93	ST5041051SN	4	62
SM5030655SN	10	93	WP0320501SC	14	44
SM5030655SN	14	51	WP0380516SD	20	5
SM5030655SN	16	51	WP0430801SC	8	24
SM5030655SN	20	1	WP0510516SD	20	23
SM5030855SN	8	6	WP0820516SP	6	8
SM5030855SN	20	36	WP0820516SP	14	12
SM5032555SE	4	66	WP0820516SP	18	14
SM5040655SN	8	16			
SM5040655SN	20	34			
SM5040855SN	2	61			
SM5040855SN	4	61			
SM5040855SN	6	26			
SM5041055SN	8	12			
SM5041055SN	20	35			
SM5043755SC	2	8			
SM5051255SN	2	59			
SM5051255SN	4	59			
SM6051002TP	18	7			
SM8030302TP	10	57			
SM8030402TP	8	87			
SM8030402TP	10	87			
SM8030402TP	14	24			
SM8030402TP	18	13			
SM8031202TP	8	33			
SM8040402SP	6	15			