

MODEL : MO-655

List No : 6004-00

# PARTS LIST

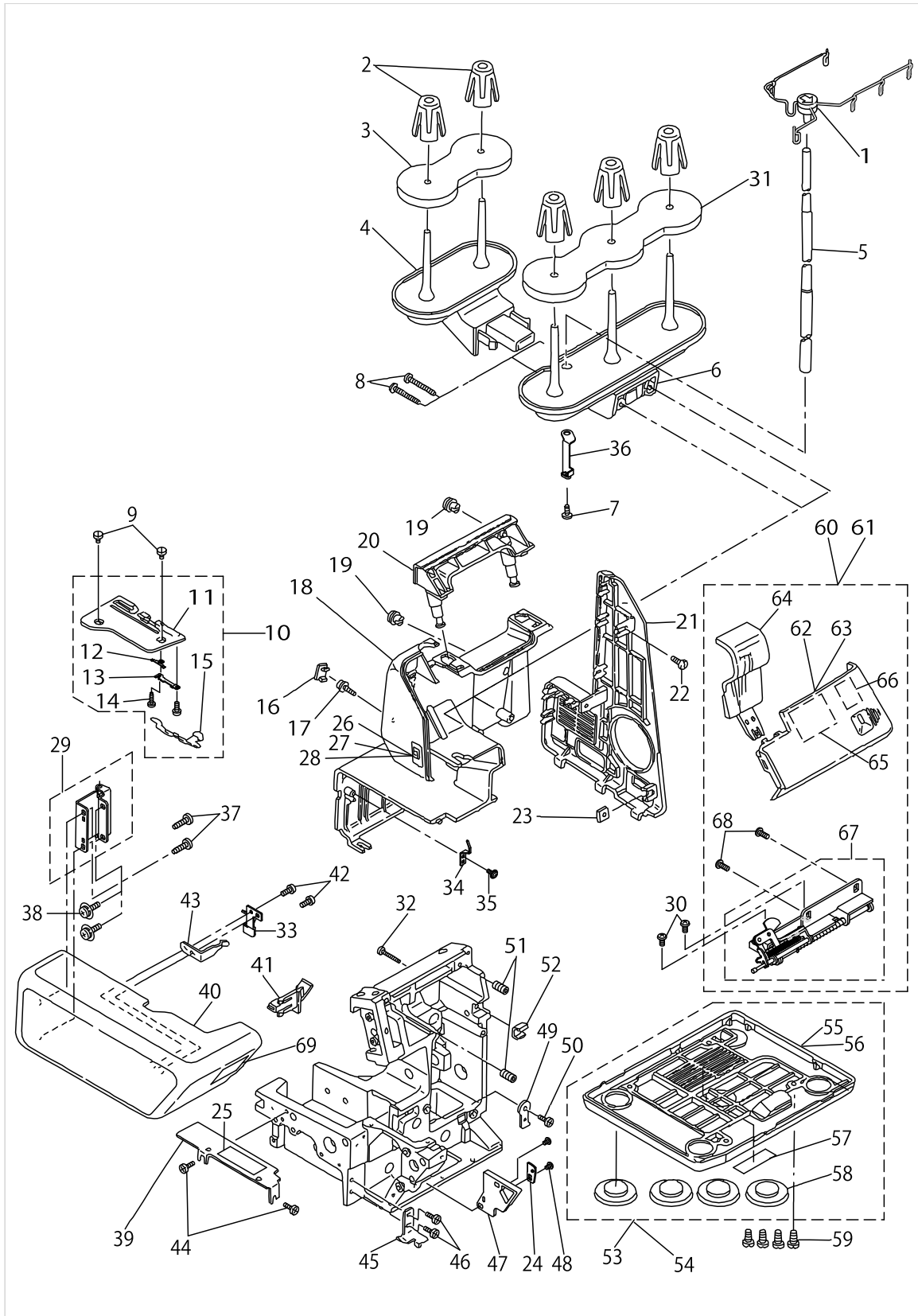
Published:09/10/2017

## CONTENTS

---

FRAME COMPONENTS .....	1
MAIN SHAFT & SAFETY SWITCH COMPONENTS .....	5
NEEDLE BAR & PRESSER FOOT COMPONENTS.....	7
FEED MECHANISM COMPONENTS.....	9
CHAIN LOOPER COMPONENTS.....	13
LOOPER DRIVE COMPONENTS .....	15
KNIFE COMPONENTS.....	19
THREAD TENSION COMPONENTS .....	23
LAMP & MOTOR CONTROLLER COMPONENTS .....	25
ACCESSORIES PARTS COMPONENTS .....	27
HOW TO MAKE USE OF THIS PARTS LIST .....	29

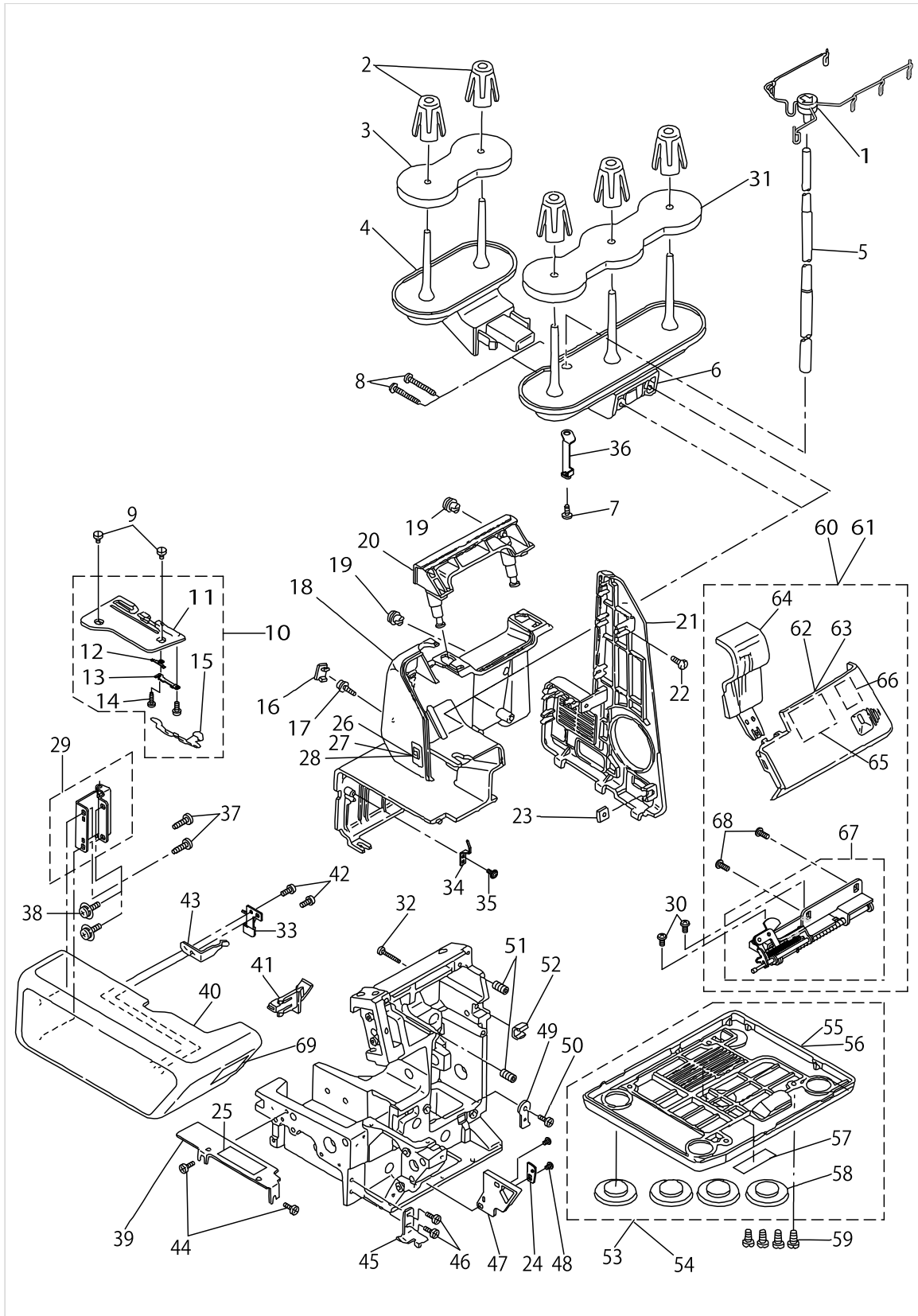
FRAME COMPONENTS



FRAME COMPONENTS

No.	Parts No.	Parts name	Remarks	Level	Cons	Qty
1	A11206550A0	THREAD GUIDE ASM.				1
2	A1120202000	SPOOL RETAINER				5
3	A1121202000	FOAM PAD(B)				1
4	A1119644000A	SPOOL HOLDER(B)				1
5	A1120334000	SUPPORTING ROD				1
6	A1118623000A	SPOOL HOLDER(A)				1
7	SM5051255SN	SCREW				1
8	SM5043755SC	SCREW				2
9	A1138335000	SCREW				2
10	A11156550B0B	THROAT PLATE MAS. ASM.				1
11	A11156550A0	THROAT PLATE ASM.		*		1
12	A1131655000A	LATCH PRESSER SPRING		*		1
13	A1132655000	THREAD SLIP GUIDE		*		1
14	SM4020351SC	SCREW		*		2
15	A1136314DAAA	THROAT PLATE THREAD SLIP ASM.		*		1
16	A1146644000	COVER CAP(B)				1
17	SL5031031SN	SCREW				1
18	A1106655000	REAR COVER W.REFLECTING SEAL				1
19	A1124644000	COVER CAP(A)				2
20	A1145644000	HANDLE				1
21	A110365D000A	SIDE COVER				1
22	SL4040831SF	SCREW				1
23	A3151535000	FRONT COVER NUT				1
24	A2538554000	THREAD GUIDE LEVER PLATE				1
25	A1191655000	CHAIN THREAD GUIDE SEAL				1
26	A3123644A00	LABEL(UL/CSA)				1
27	A3123644B00	LABEL(VDE/SAA)				1
28	A3123644C00	LABEL(SAUDI)				1
29	A11615350A0	CLOTH PLATE HINGE ASM.				1
30	SM5040855SN	SCREW				2
31	A1121203000	FORM PAD(A)				1
32	SM5032555SE	SCREW				1
33	A2154655000A	RELEASE PLATE				1
34	A1147535000	REAR COVER THREAD GUIDE				1
35	ST5030851SN	SCREW				1
36	A11213150A0A	THREAD GUIDE ASM.				1
37	ST5041051SN	TAPING SCREW				2
38	SL5040865SN	SCREW				2
39	A1135535000	UPPER COVER				1
40	A1104644000A	CLOTH PLATE				1
41	A1104644A00A	CLOTH PLATE COVER				1
42	ST5041251SN	TAPING SCREW				2
43	A1160634000	CLOTH PLATE OPENING SPRING				1
44	SM5040855SN	SCREW				2
45	A1164535000	CLOTH PLATE PRESSER PLATE				1
46	SM5040855SN	SCREW				2
47	A1156654000A	LOOPER COVER GUIDE				1

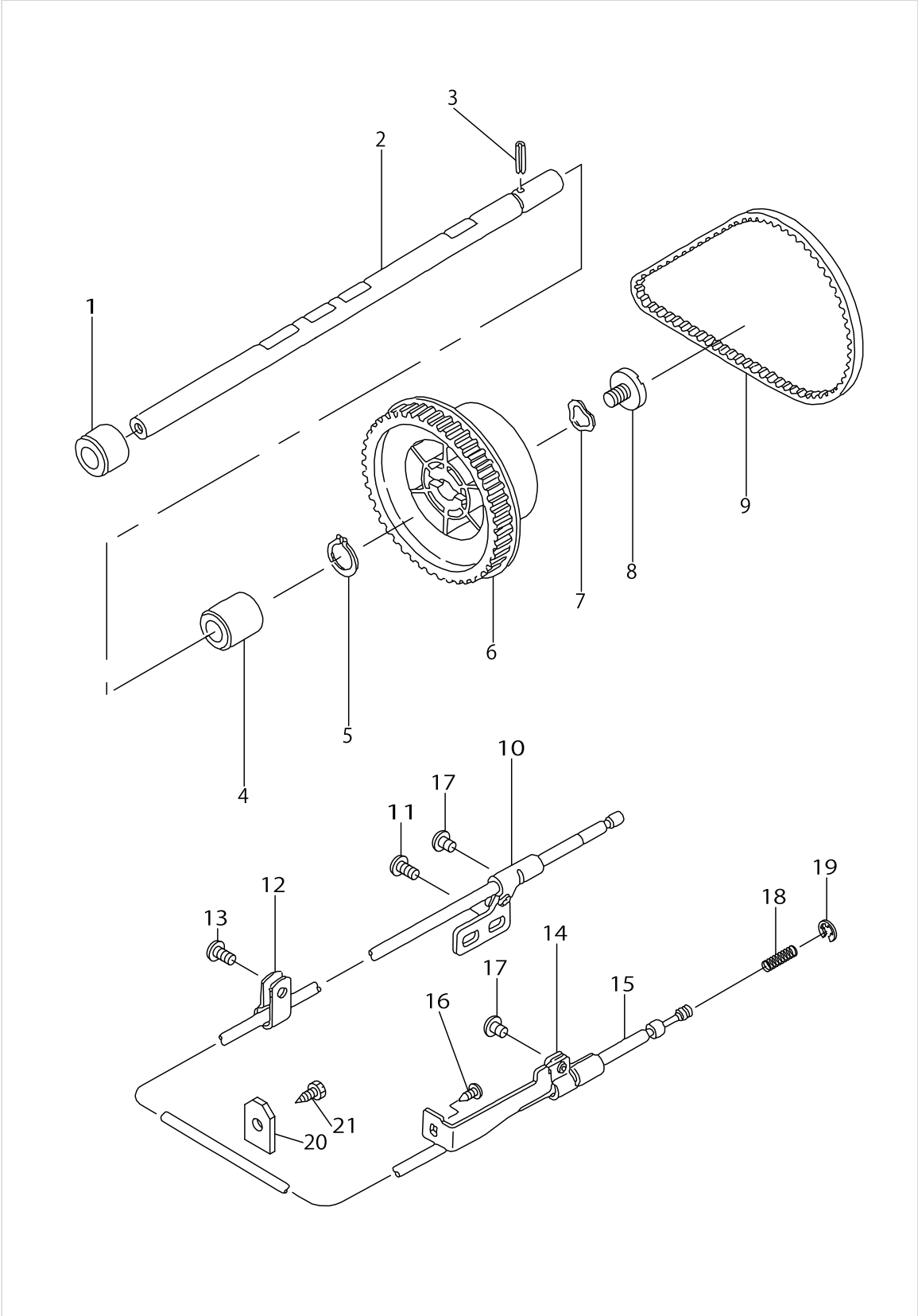
# FRAME COMPONENTS



FRAME COMPONENTS

No.	Parts No.	Parts name	Remarks	Level	Cons	Qty
48	SM4040855SN	SCREW				2
49	A3161634000	FRONT COVER INSTALLATION PLATE				1
50	SM4040655SN	SCREW				1
51	SM8050842TP	SCREW				2
52	A3150535000	FRONT COVER ASM. PLATE				1
53	A11026440A0	BASE PLATE ASM.				1
54	A1102644AA0	BASE PLATE ASM.(SAUDI)				1
55	A1102644000	BASE PLATE		*		1
56	A1102644A00	BASE PLATE(DOUBLE VOLTAGE)		*		1
57	A6051634000	SEAL (SAUDI)		*		1
58	A1123535000	SUCTION FEET		*		4
59	SM5051255SN	SCREW				4
60	A11516550B0B	LOOPER COVER(MAS.ASM.)(UL/CSA)				1
61	A1151655BB0B	LOOPER COVER(MAS.ASM.)(VDE/SAA)				1
62	A1151655A00A	LOOPER COVER (UL/CSA)		*		1
63	A1151655B00A	LOOPER COVER (VDE/SAA/SAUDI)		*		1
64	A1152655000A	CHIP GUARD COVER		*		1
65	A1190655000	THREAD GUIDE SEAL		*		1
66	A1194655000	SEAL		*		1
67	A11536550A0A	LOOPER COVER HINGE ASM.		*		1
68	ST5041051SN	TAPING SCREW		*		2
69	A1171634000	SAFETY SWITCH SEAL				1

MAIN SHAFT & SAFETY SWITCH COMPONENTS

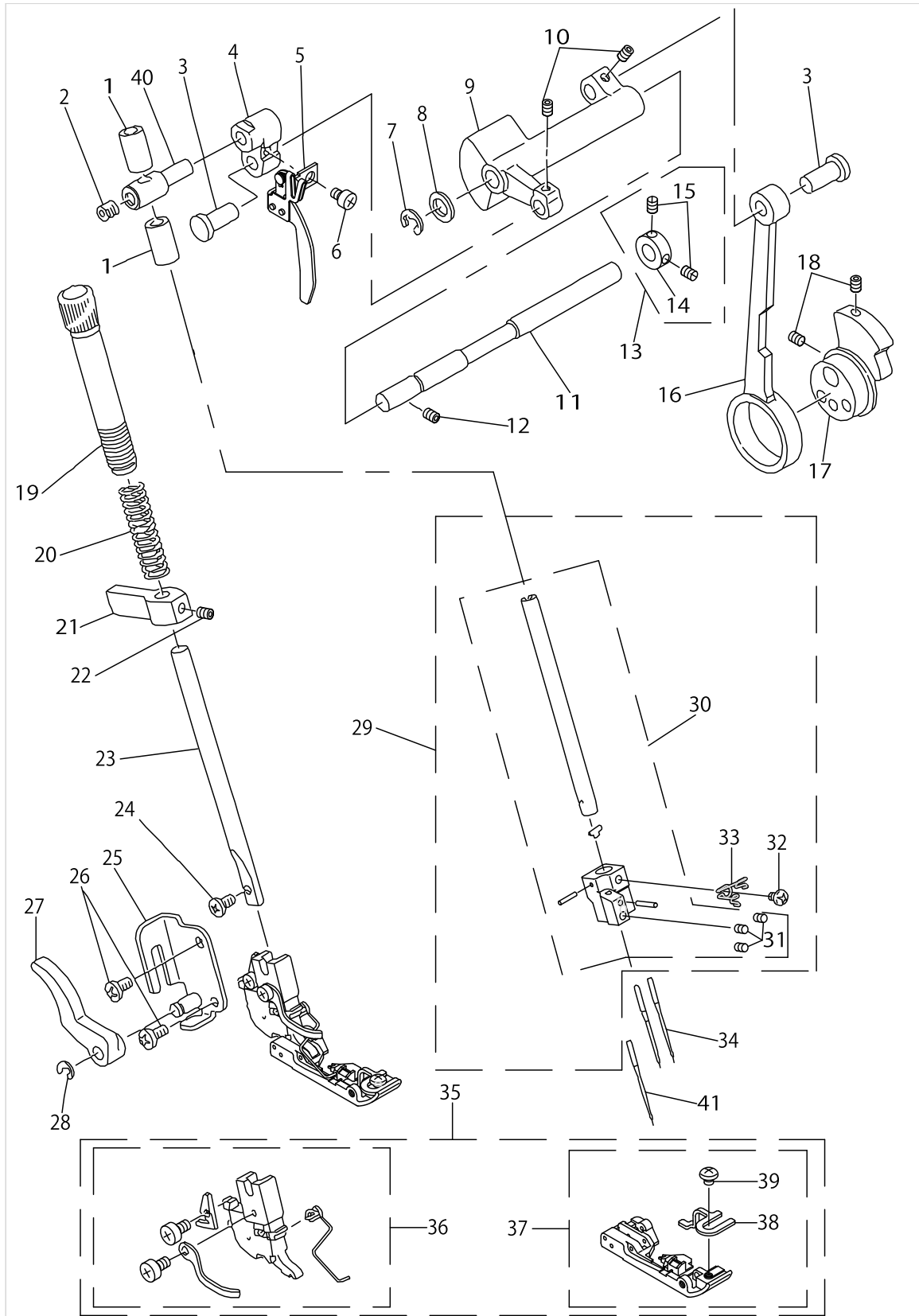


MAIN SHAFT & SAFETY SWITCH COMPONENTS

No.	Parts No.	Parts name	Remarks	Level	Cons	Qty
1	A1206335000	MAIN SHAFT BUSHING FRONT				1
2	A1201655000	MAIN SHAFT				1
3	PS0400222KH	PIN				1
4	A1206202000	MAIN SHAFT BUSHING REAR				1
5	A1206102000	C RING				1
6	A1202644000	HANDWHEEL				1
7	A1206535000	HANDWHEEL WASHER				1
8	A1230500000A	HANDWHEEL SETSCREW				1
9	A1205634000	TIMING BELT				1
10	A6021535000	WIRE HOLDER (2)				1
11	SM5040855SN	SCREW				1
12	HX00150000B	CABLE CLIP				1
13	SM4040655SN	SCREW				1
14	A6020535000	WIRE HOLDER (1)				1
15	A6026335EA0	WIRE ASM.				1
16	ST5030851SN	SCREW				1
17	SM4030455SN	SCREW				2
18	A6033535000	SPRING				1
19	RE0200000K0	E-RING				1
20	A6036535000	WIRE HOLDER PRESSER PL.				1
21	ST5030851SN	SCREW				1



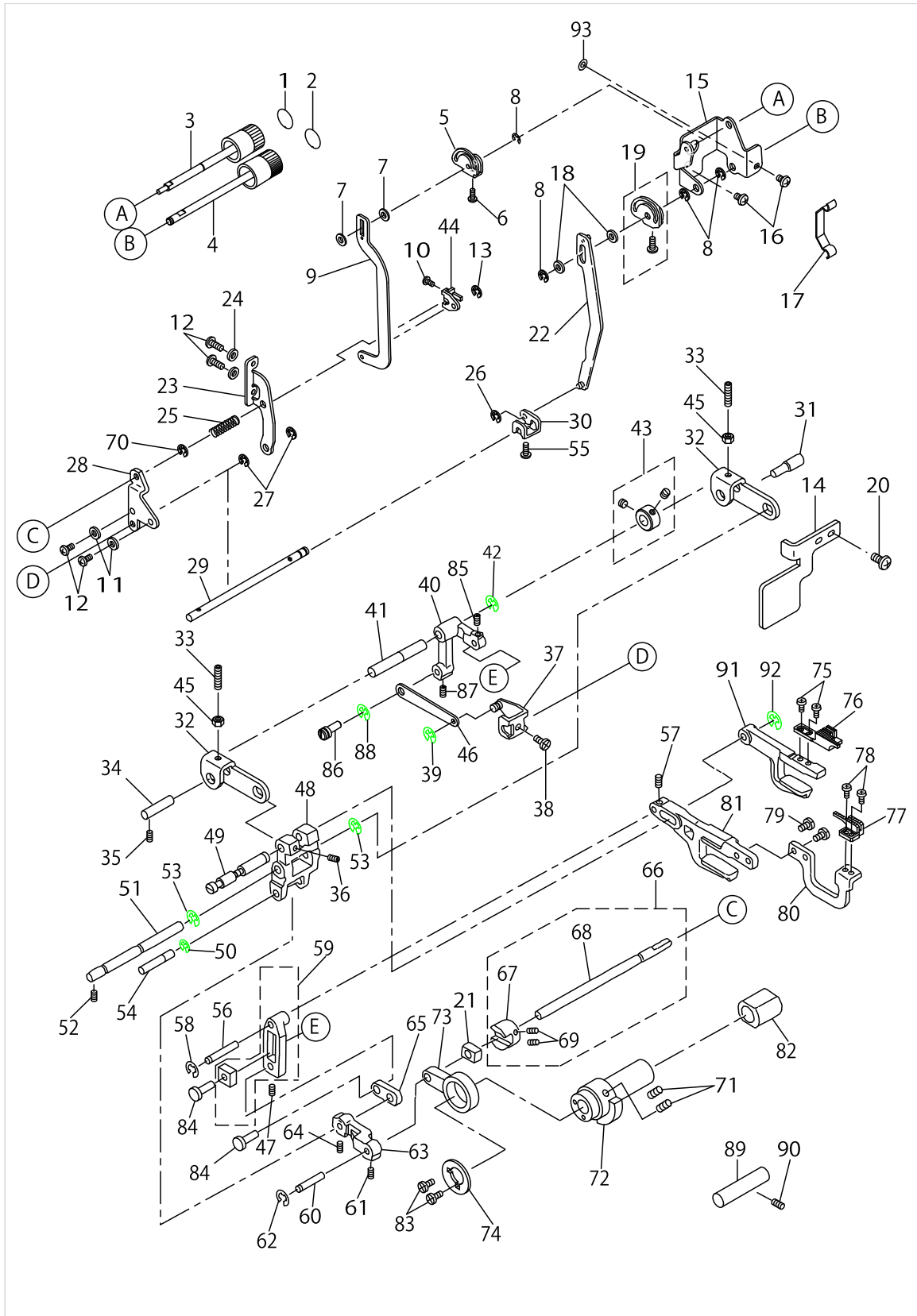
NEEDLE BAR & PRESSER FOOT COMPONENTS



NEEDLE BAR & PRESSER FOOT COMPONENTS

No.	Parts No.	Parts name	Remarks	Level	Cons	Qty
1	A1407102000	NEEDLE BAR BUSHING				2
2	SM8060602TP	SCREW				1
3	A1403102000	CONNECTING PIN				2
4	A1412535000	NEEDLE BAR LINK				1
5	A14126550A0	NEEDLE THREAD TAKE-UP				1
6	SM4040655SN	SCREW				1
7	RE0600000K0	E-RING				1
8	WP0820516SP	WASHER				1
9	A1402535000	NEEDLE BAR CRANK				1
10	SM8040402TP	SCREW				2
11	A1404535000	NEEDLE BAR DRIVING SHAFT				1
12	SM8040402TP	SCREW				1
13	A14145020A0	THRUST COLLAR ASM.				1
14	A1414502000	SCREW		*		1
15	SM8040402SP	SCREW		*		2
16	A1403335000A	NEEDLE BAR CRANK ROD				1
17	A1401535000A	NEEDLE BAR DRIVING CAM				1
18	SM8050602TP	SCREW				2
19	A1503634000	PRESSER FOOT ADJ.SCREW				1
20	A1501535000	PRESSER SPRING				1
21	A1502535000	PRESSER BAR GUIDE BRACKET				1
22	SM8050402TP	SCREW				1
23	A1507535000	PRESSER BAR				1
24	SM5040855SN	SCREW				1
25	A15045350A0	LIFTING LEVER SET PLATE ASM.				1
26	SM5040855SN	SCREW				2
27	A15069DC000	LIFTING LEVER				1
28	RE0500000K0	E-RING				1
29	A14066550B0	NEEDLE BAR ASM.				1
30	A14066550A0	NEEDLE BAR ASM.		*		1
31	A1416777000	NEEDLE SCREW		*		3
32	SM5030455SN	SCREW		*		1
33	A1409534000	NEEDLE BAR THREAD GUIDE		*		1
34	MHA100B1100	NEEDLE HAX1 #11				2
35	A15016550C0A	PRESSER FOOT MAS. ASM.				1
36	A15145350C0	PRESSER FOOT SHANK ASM.		*		1
37	A15016550B0A	PRESSER FOOT		*		1
38	A1550655000	TAPE GUIDE PLATE		*		1
39	SM4030301SC	SCREW M3 X 3		*		1
40	A1411335000	NEEDLE BAR GUIDE BRACKET				1
41	MHA100B1400	NEEDLE HAX1 #14				1

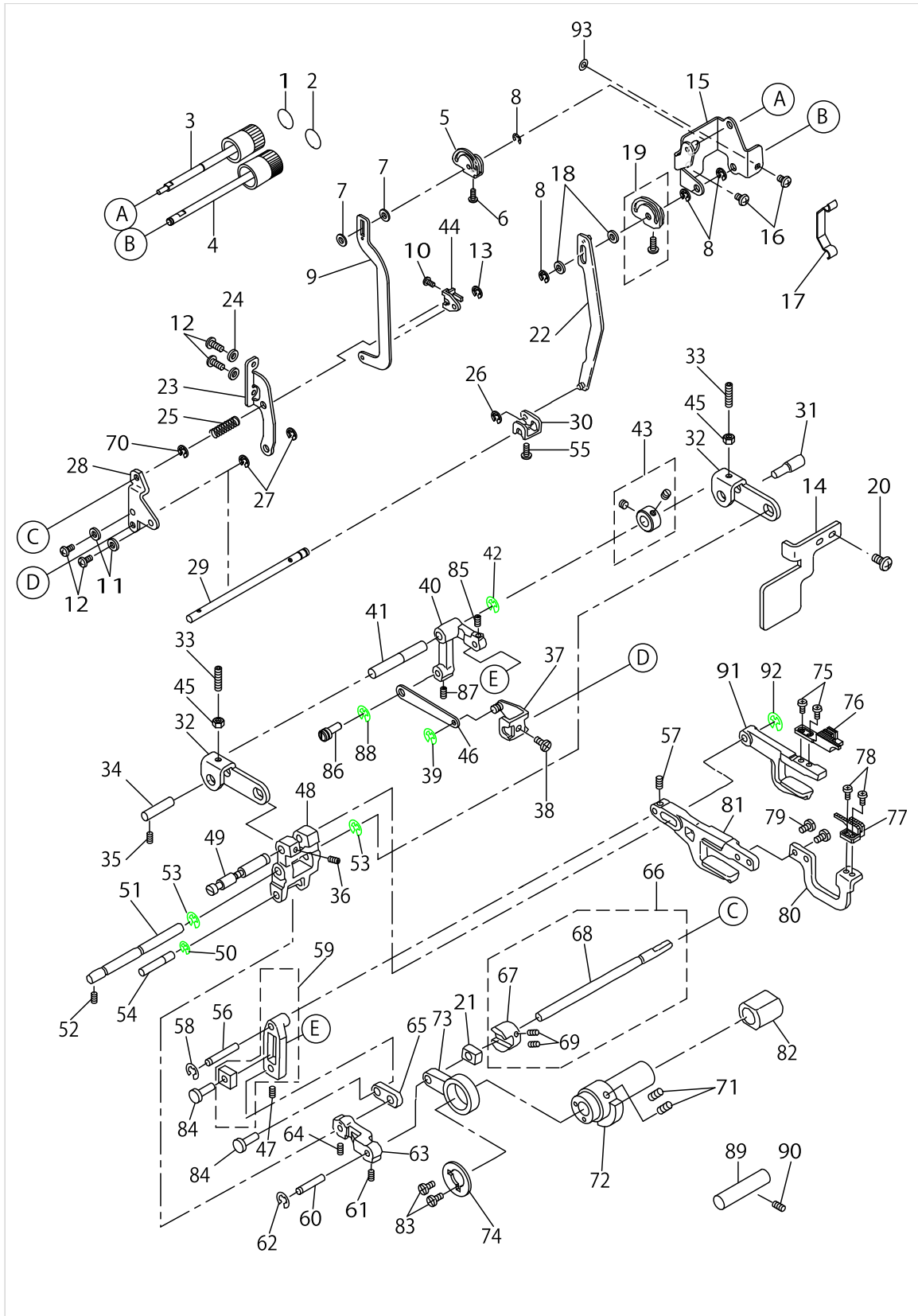
# FEED MECHANISM COMPONENTS



FEED MECHANISM COMPONENTS

No.	Parts No.	Parts name	Remarks	Level	Cons	Qty
1	A160365DE00	LABEL (MAIN FEED)				1
2	A160465DE00	LABEL (DIF. FEED)				1
3	A1601655000A	MAIN FEED ADJUSTING KNOB				1
4	A160265DE00A	DIF.FEED ADJUSTING KNOB				1
5	A1613655000	MAIN FEED ADJUSTING CAM				1
6	SM5030855SN	SCREW				1
7	A1614655000	COLLAR				2
8	RE0400000K0	E-RING				4
9	A16196550A0	MAIN FEED ADJUSTING LINK ASM.				1
10	SM5030655SN	SCREW				1
11	A1636534D00	WASHER				2
12	SM5041055SN	SCREW				4
13	RE0300000K0	E-RING				1
14	A1613535000	FEED BASE GUIDE				1
15	A1610655000	KNOB SETTING PLATE				1
16	SM5040655SN	SCREW				2
17	A1611655000	SHAFT PRESSING PLATE				1
18	A1614534D00	COLLAR				2
19	A1615534DA0	DIF.FEED ADJUSTING CAM ASM.				1
20	SM4040655SN	SCREW				1
21	A1638776000	MAIN FEED SLIDE BLOCK				1
22	A1620534DA0	DIF.FEED ADJUSTING LINK ASM.				1
23	A1634655000A	ADJUSTING SHAFT PLATE				1
24	WP0430801SC	WASHER				2
25	A1633534D00	SPRING				1
26	RE0300000K0	E-RING				1
27	RE0500000K0	E-RING				2
28	A1635534D00	FEED ADJUSTING SHAFT HOLDER				1
29	A1662655000A	DIF.FEEDD ADJUSTING SHAFT				1
30	A1655534D00	DIF.FEED ADJUSTING ARM(C)				1
31	A1664655000	DIF.FEED SHAFT(A)				1
32	A1660534D00A	DIF.FEED SHAFT HOLDER				2
33	SM8031202TP	SCREW				2
34	A1663534D00	DIF.FEED SHAFT(B)				1
35	SM8040402TP	SCREW				1
36	SM8040402TP	SCREW				1
37	A1657534DA0	DIF.FEED ADJUSTING ARM(B) ASM.				1
38	SM5030655SN	SCREW				1
39	RE0300000K0	E-RING				1
40	A1661534D00	DIF.FEED ADJUSTING ARM(A)				1
41	A1659534D00A	SHAFT				1
42	RE0500000K0	E-RING				1
43	A16637760A0	DIF.FEED ADJUSTING COLLAR ASM.				1
44	A1630534D00	MAIN FEED ADJUSTING ARM				1
45	NM6030001SE	NUT				2
46	A1653776000	DIF.FEED ADJUSTING LINK				1
47	SM8030402TP	SCREW				1

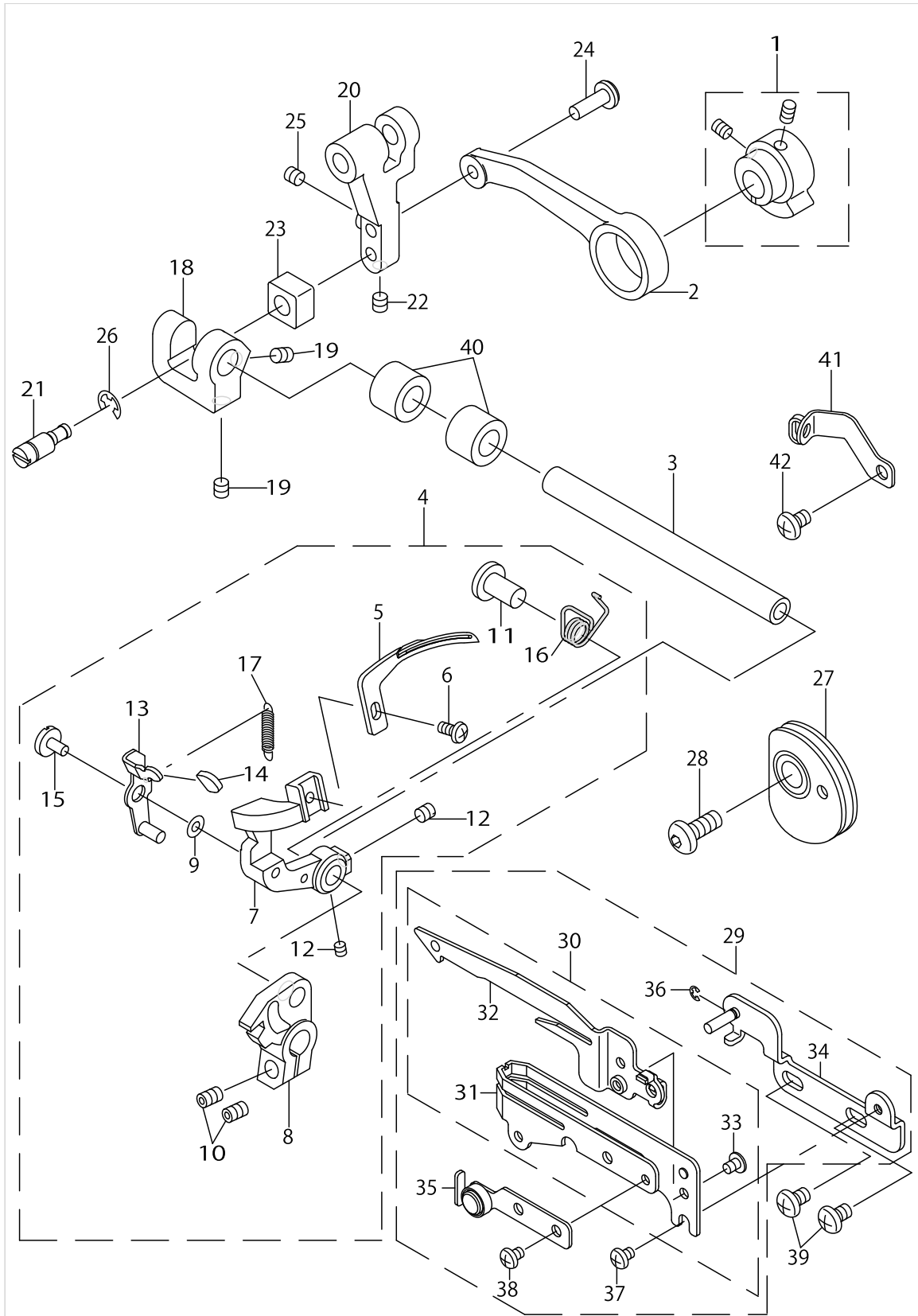
# FEED MECHANISM COMPONENTS



FEED MECHANISM COMPONENTS

No.	Parts No.	Parts name	Remarks	Level	Cons	Qty
48	A1645534D00	MAIN FEED ARM				1
49	A1646534D00	BASE SUPPORTING SHAFT				1
50	RE0400000K0	E-RING				1
51	A1647534D00	MAIN FEED SHAFT				1
52	SM8040402TP	SCREW				1
53	RE0500000K0	E-RING				2
54	A1641534D00	SHAFT				1
55	SM5030655SN	SCREW				1
56	A1665534D00	SHAFT				1
57	SM8030302TP	SCREW				1
58	RE0300000K0	E-RING				1
59	A1651534DA0	DIF.FEED ARM ASM.				1
60	A1639534D00	MAIN FEED SLIDE BLOCK SHAFT				1
61	SM8030402TP	SCREW				1
62	RE0400000K0	E-RING				1
63	A1640534D00	MAIN FEED LINK				1
64	SM8030402TP	SCREW				1
65	A1650534D00	DIF.FEED LINK				1
66	A1637534DA0	MAIN FEED ADJUSTING ASM.				1
67	A1637534D00	MAIN FEED ADJUSTING		*		1
68	A1631534D00	MAIN FEED ADJUSTING SHAFT		*		1
69	SM8030402TP	SCREW		*		2
70	RE0500000K0	E-RING				1
71	SM8040602TP	SCREW				2
72	A1617534D00A	VERTICAL/HORIZONTAL FEED CAM				1
73	A1616534D00	MAIN FEED ROD				1
74	A1618534D00	MAIN FEED THRUST PLATE				1
75	SM4030655SP	SCREW				2
76	A1627655000	MAIN FEED DOG				1
77	A1642655000	DIF.FEED DOG				1
78	SM4030655SP	SCREW				2
79	SM9040700SP	SCREW				2
80	A1648655000	DIF.FEED SETTING BASE				1
81	A1639535000	DIF.FEED BASE				1
82	A1630535000	VERTICAL FEED ADS.				1
83	A1618534D0A	SCREW				2
84	A2529335000	PIN				2
85	SM8030402TP	SCREW				1
86	A1654776000A	DIF.FEED ADJUSTING PIN				1
87	SM8030402TP	SCREW				1
88	RE0500000K0	E-RING				1
89	A1612535000	FEED BASE GUIDE ROD				1
90	SM8040402TP	SCREW				1
91	A1625535000	FEED BASE ARM				1
92	RE0500000K0	E-RING				1
93	A1614655000	WASHER				1

# CHAIN LOOPER COMPONENTS

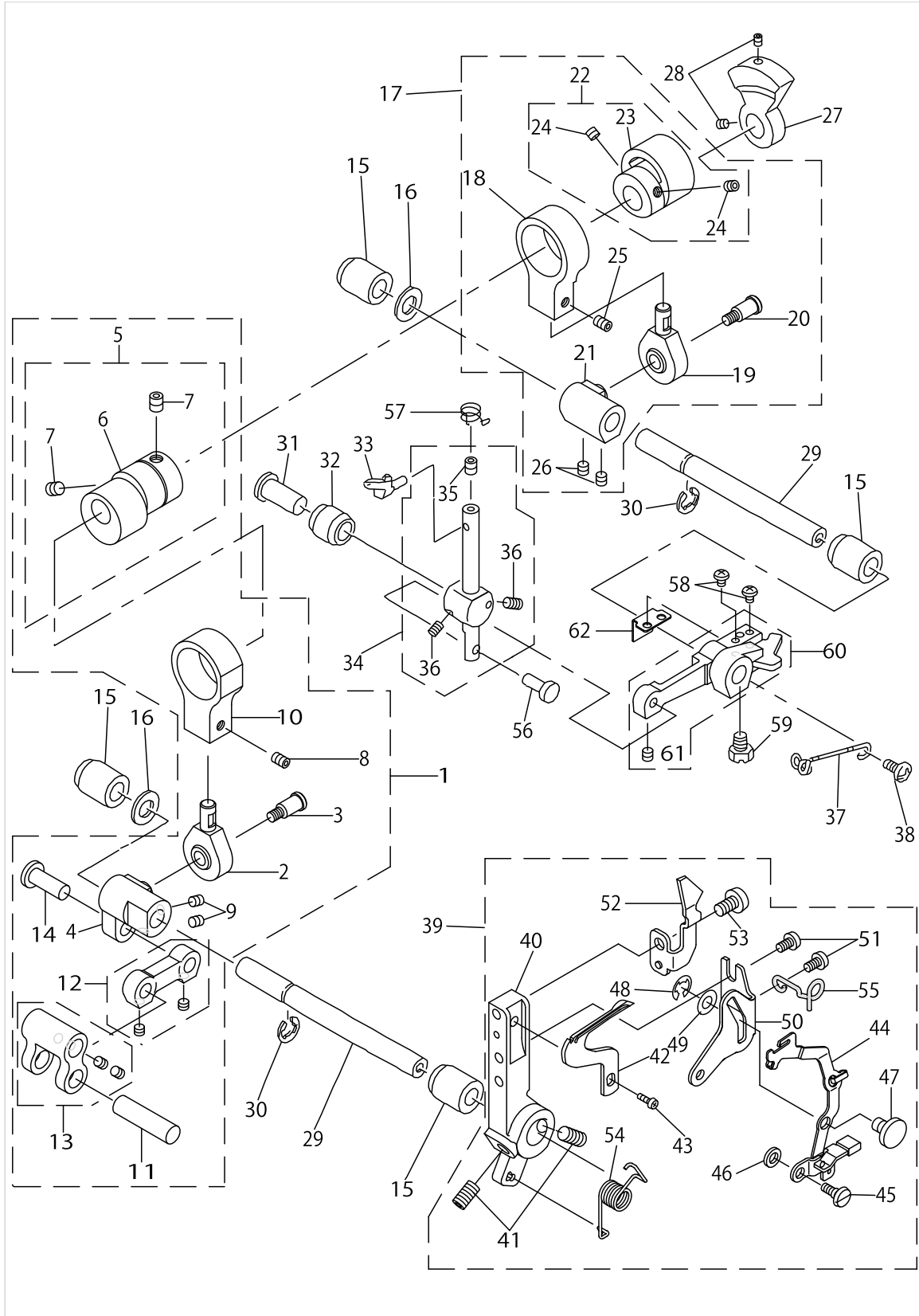


CHAIN LOOPER COMPONENTS

No.	Parts No.	Parts name	Remarks	Level	Cons	Qty
1	A21036550A0	CHAIN LOOPER SLIDE CAM ASM.				1
2	A2105535000	CHAIN LOOPER ROD				1
3	A2107655000	CHAIN LOOPER SHAFT				1
4	A21096550B0C	CHAIN LOOPER MAS. ASM.				1
5	A21099DC0A0	CHAIN LOOPER ASM.		*		1
6	SM5030655SN	SCREW		*		1
7	A2151655000A	CHAIN LOOPER SUPPORT ARM A		*		1
8	A2152655000A	CHAIN LOOPER SUPPORT ARM B		*		1
9	WP0320501SC	WASHER		*		1
10	SM8040602TP	SCREW M4X0.7 L=6		*		2
11	A2155655000A	CHAIN LOOPER SUPPORT SHAFT		*		1
12	SM8030302TP	SCREW		*		2
13	A21536550A0	CH. LOOPER SUP. ARM LATCH ASM.		*		1
14	A116731500AA	SUPPORT ARM LATCH KNOB		*		1
15	A2156655000	SCREW		*		1
16	A2158655000	SPRING		*		1
17	A2159655000	SPRING		*		1
18	A2113535000	CHIAN LOOPER SLIDE BLOCK GUIDE				1
19	SM8040402TP	SCREW				2
20	A2114535000	CHAIN LOOPER SUPPORT ARM				1
21	A2115655000	CH.LOOPER BLOCK GUIDE SHAFT				1
22	SM8040402TP	SCREW				1
23	A2116535000	CHAIN LOOPER BLOCK GUIDE				1
24	A2529335000	CHAIN LOOPER ROD PIN				1
25	SM8040402TP	SCREW				1
26	RE0400000K0	E-RING 4				1
27	A21246550A0	CHAIN LOOPER TAKE-UP ASM.				1
28	A2138335000	SCREW				1
29	A21306550B0	CH.LO. TAKE-UP GUIDE MAS. ASM.				1
30	A21306550A0	CHAIN LOOPER TAKE-UP GUIDE ASM		*		1
31	A2130655000	CHAIN LOOPER TAKE-UP GUIDE 1		*		1
32	A21316550A0	TAKE-UP GUIDE 2 ASM.		*		1
33	SM0030401SN	SCREW		*		1
34	A21326550A0	TAKE-UP PLATE ASM.		*		1
35	A21346550A0	TAKE-UP THREAD GUIDE B(ASM.)		*		1
36	RE0200000K0	E-RING		*		1
37	SM4030455SN	SCREW		*		1
38	SM4030455SN	SCREW		*		1
39	SM4040655SN	SCREW				2
40	A1675335000	CHIAN LOOPER SHAFT METAL				2
41	A21255350A0	THREAD GUIDE A ASM.				1
42	SM4040655SN	SCREW				1



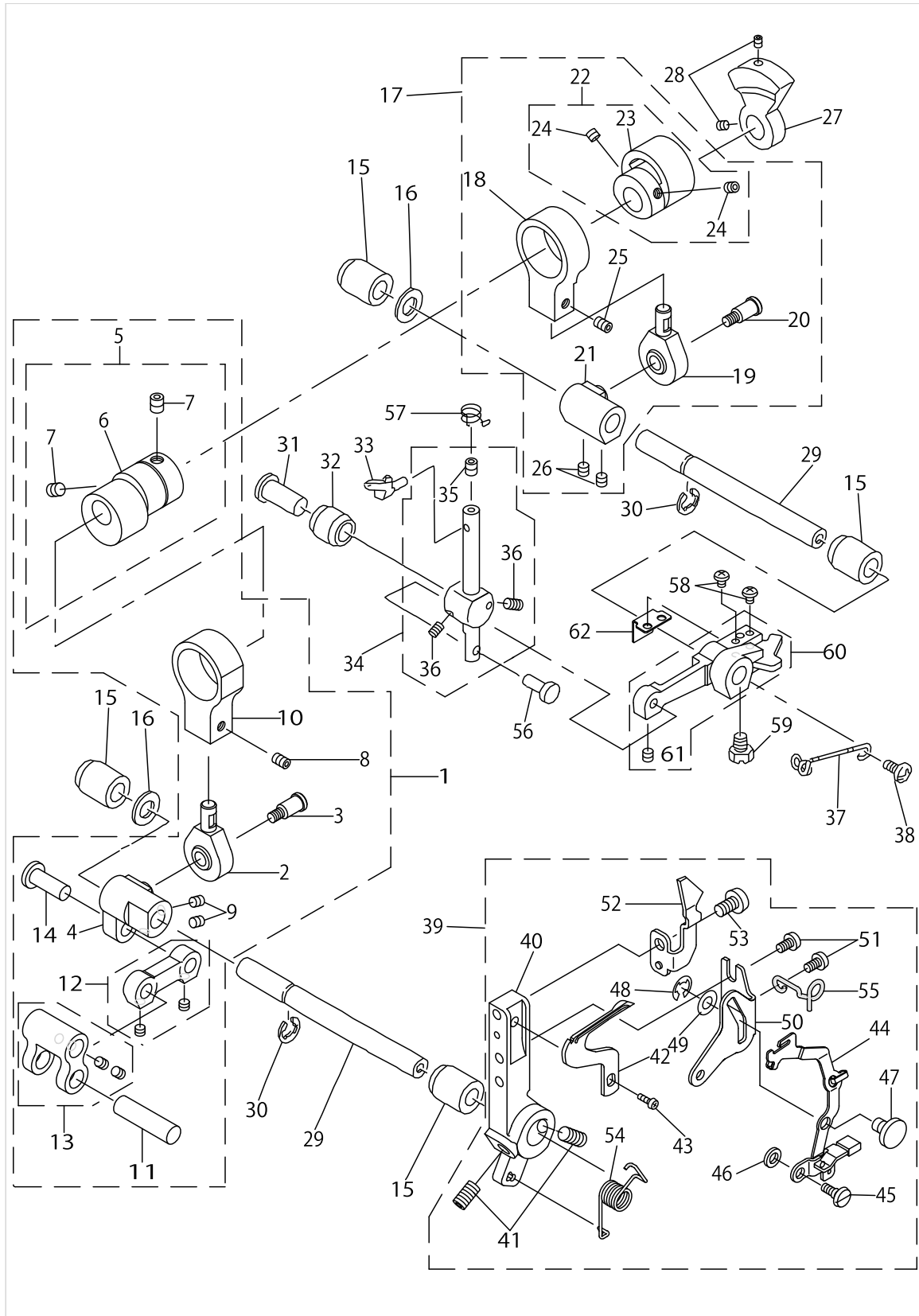
LOOPER DRIVE COMPONENTS



LOOPER DRIVE COMPONENTS

No.	Parts No.	Parts name	Remarks	Level	Cons	Qty
1	A25156550A0A	LOWER LOOPER ROD ASM.				1
2	A2503776000	CONNECTING ROD		*		1
3	A2504776000	CONNECTING SCREW		*		1
4	A2516655000	LOWER LOOPER DRIVING ARM		*		1
5	A25145340A0B	LOWER LOOPER CAM ASM.		*		1
6	A2514534000C	LOWER LOOPER CAM		*		1
7	SM8050602TP	SCREW		*		2
8	SM8040602TP	SCREW		*		1
9	SM8040402TP	SCREW		*		2
10	A2515534000A	LOWER LOOPER ROD		*		1
11	A2111335000	CHAIN LOOPER SLIDE SHAFT		*		1
12	A21015350A0	CHAIN LOOPER ROD ASM.		*		1
13	A21023350AS	CHAIN LOOPER SLIDE ARM		*		1
14	A1403102000	CONNECTING PIN		*		1
15	A2112204000	LOOPER SHAFT METAL				4
16	WP0820516SP	WASHER				2
17	A25025340A0A	UPPER LOOPER ROD ASM.				1
18	A2502534000A	UPPER LOOPER ROD		*		1
19	A2503776000	CONNECTING ROD		*		1
20	A2504776000	CONNECTING SCREW		*		1
21	A2505776000	LOWER LOOPER DRIVING ARM		*		1
22	A25015340A0A	UPPER LOOPER CAM ASM.		*		1
23	A2501534000A	UPPER LOOPER CAM		*		1
24	SM8040402TP	SCREW		*		2
25	SM8040602TP	SCREW		*		1
26	SM8040402TP	SCREW		*		2
27	A2550534000C	LOOPER BALANCER				1
28	SM8030402TP	SCREW M3X0.5 L=4				2
29	A2521534000	LOOPER SHAFT				2
30	RE0600000K0	E-RING				2
31	A2531534000	UPPER LOOPER GUIDE SHAFT				1
32	A1657335000	BUSHING				1
33	A2512234000	UPPER LOOPER				1
34	A25303350AS	UPPER LOOPER SLIDE STUD ASM.				1
35	SM8050602TP	SCREW		*		1
36	SM8040402TP	SCREW		*		2
37	A25196340A0	UPPER LOOPER THR. TAKE-UP ASM.				1
38	SM4040655SN	SCREW				1
39	A25176540A0B	LOWER LOOPER THREADING DEVICE				1
40	A251733500S	LOWER LOOPER SUPPORT ARM		*		1
41	SM8040602TP	SCREW		*		2
42	A252633500A	LOWER LOOPER		*		1
43	SM5030655SN	SCREW		*		1
44	A25346540B0A	LOWER LOOPER THREAD GUIDE ASM.		*		1
45	A253133500S	SCREW		*		1
46	WP0320501SC	WASHER		*		1
47	A253233500S	PIN		*		1

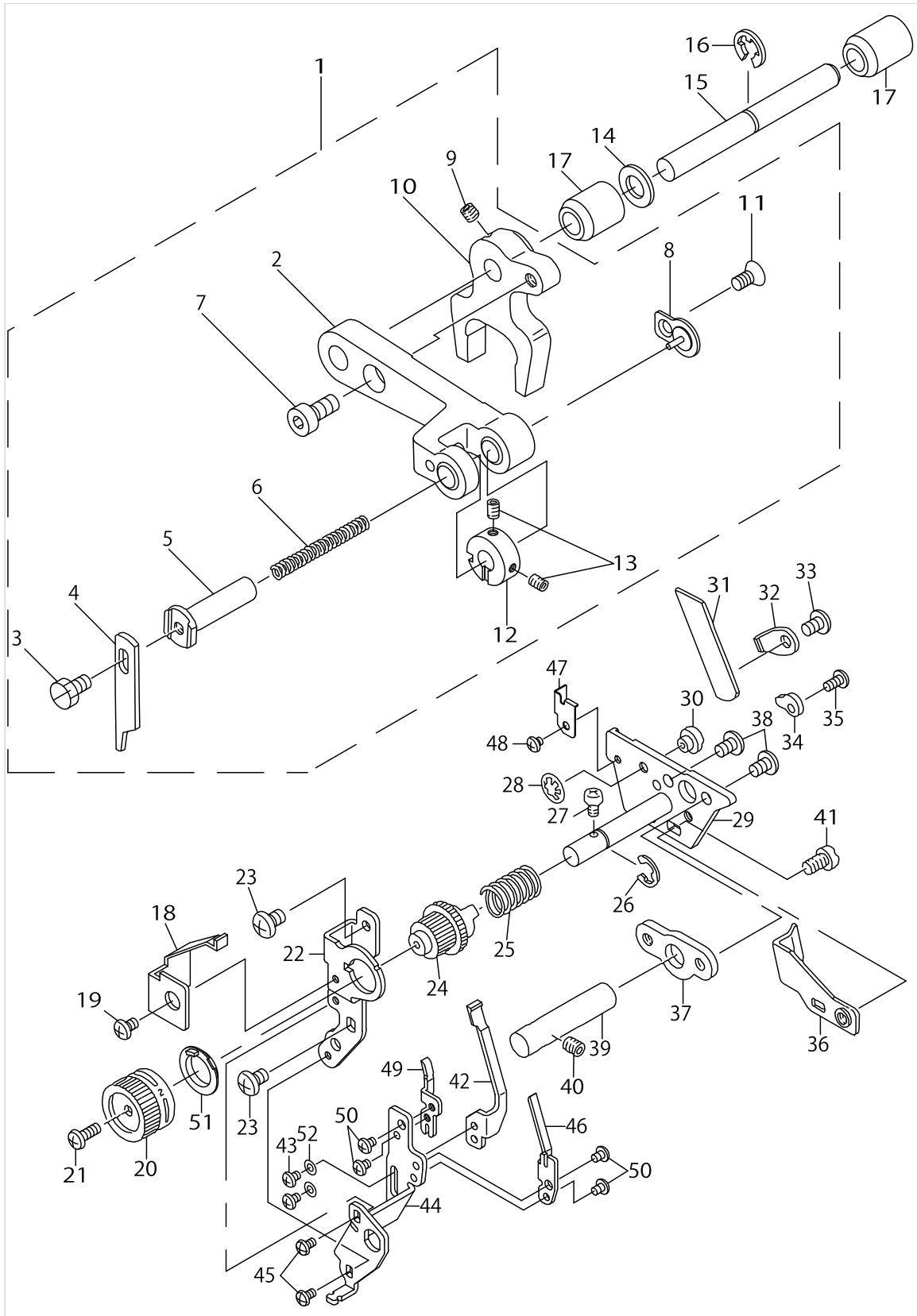
# LOOPER DRIVE COMPONENTS



LOOPER DRIVE COMPONENTS

No.	Parts No.	Parts name	Remarks	Level	Cons	Qty
48	RE020000K0	E-RING		*		1
49	A253933500S	WASHER		*		1
50	A253333500S	LOWER LOOPER THREAD GUIDE BASE		*		1
51	SM5030655SN	SCREW		*		2
52	A2536554000A	MOVABLE NEEDLE GUARD (BACK)		*		1
53	SM5030655SN	SCREW		*		1
54	A253733500SA	LO.LOOPER THREAD GUIDE SPRING		*		1
55	A25206540A0	LOWER LOOPER THREAD TAKE-UP		*		1
56	A2529335000	UPPER LOOPER ARM PIN				1
57	A25215130A0	UP.LOOPER THREAD GUIDE				1
58	SM4030455SP	SCREW				2
59	SM9050850SP	SCREW				1
60	A25103350B0	UPPER LOOPER ARM ASM.				1
61	SM8040402TP	SCREW		*		1
62	A2508335000	RELEASE LEVER PRESSER				1

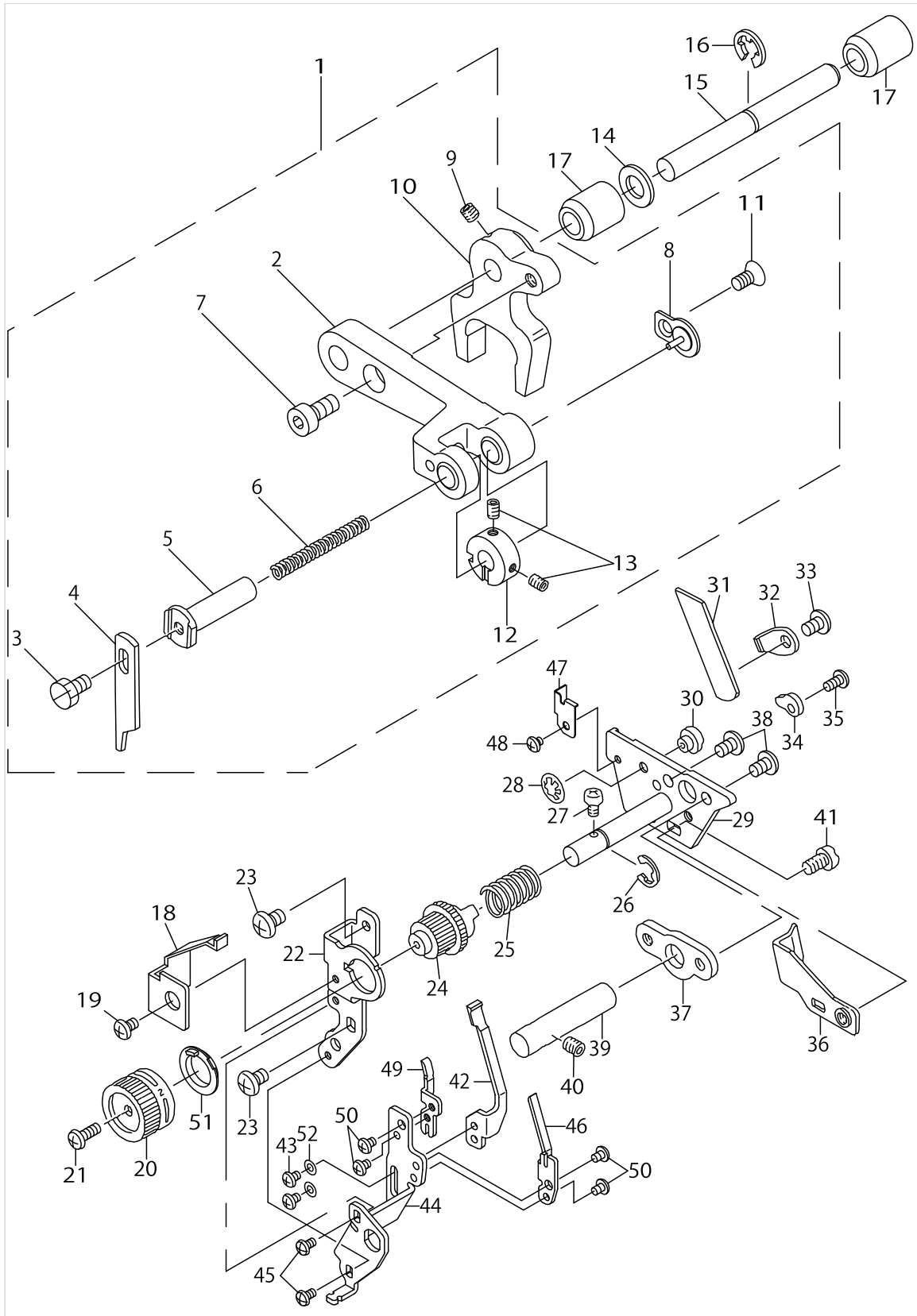
KNIFE COMPONENTS



KNIFE COMPONENTS

No.	Parts No.	Parts name	Remarks	Level	Cons	Qty
1	A41016550A0	UPPER KNIFE DRIVING ARM ASM.				1
2	A4101503000C	UPPER KNIFE DRIVING ARM		*		1
3	SM9040700SP	SCREW		*		1
4	A4142655000	UPPER KNIFE		*		1
5	A4103535000	UPPER KNIFE HOLDER		*		1
6	A4106535000	KNIFE PRESSER SPRING		*		1
7	SM6051002TP	SCREW		*		1
8	A41075020A0	KNIFE SPRING SUPPORTING PLATE		*		1
9	SM8040402TP	SCREW		*		2
10	A4102535000	UPPER KNIFE FORKED ARM		*		1
11	SM1030601SP	SCREW		*		1
12	A4105776000A	UPPER KNIFE TURNING KNOB		*		1
13	SM8030402TP	SCREW		*		2
14	WP0820516SP	WASHER				1
15	A4108535000	UPPER KNIFE SHAFT				1
16	RE0600000K0	E-RING				1
17	A2112204000	BUSHING				2
18	A4140535000	L KNIFE ADJ CAM PRESSER SPRING				1
19	SM4030455SP	SCREW				1
20	A4130654000A	LOWER KNIFE ADJ. KNOB				1
21	ST5030851SN	SCREW				1
22	A4131655000	LOWER KNIFE ADJ. SUPPORT				1
23	SM4040655SN	SCREW				2
24	A4128535000	LOWER KNIFE ADJ.CAM				1
25	A4136335000	LOWER KNIFE HOLDER SPRING				1
26	RE0500000K0	E-RING				1
27	SM4030601SN	SCREW				1
28	A3205555A00	KNIFE ANGLE ADJ.SUPPORT STOPPE				1
29	A41216550AC	LOWER KNIFE HOLDER ASM.				1
30	A4149535000	LOWER KNIFE ANGLE ADJ.SUPPORT				1
31	A4145335000	LOWER KNIFE				1
32	A4123335000	LOWER KNIFE PRESSER PLATE				1
33	SM4040655SP	SCREW				1
34	A4124335000	LOWER KNIFE SUPPORTING PLATE				1
35	SM4030655SP	SCREW				1
36	A4147655000	CHIP GUARD COVER STOPPER				1
37	A4139655000	LOWER KNIFE HOLDER SUPPORT				1
38	SM4040655SP	SCREW				2
39	A4125655000	LOWER KNIFE HOLDER SHAFT				1
40	SM8040402TP	SCREW				1
41	SM4040655SP	SCREW				1
42	A2535655000	LOCK NEEDLE GUARD (FRONT)				1
43	SM4030655SP	SCREW				2
44	A2537655000	NEEDLE GUARD SUPPORT PLATE				1
45	SM5030555SC	SCREW				2
46	A4134655000	CHAIN NEEDLE GUARD FRONT				1
47	A4122655000	LOWER KNIFE HOLDER GUARD PLATE				1

KNIFE COMPONENTS

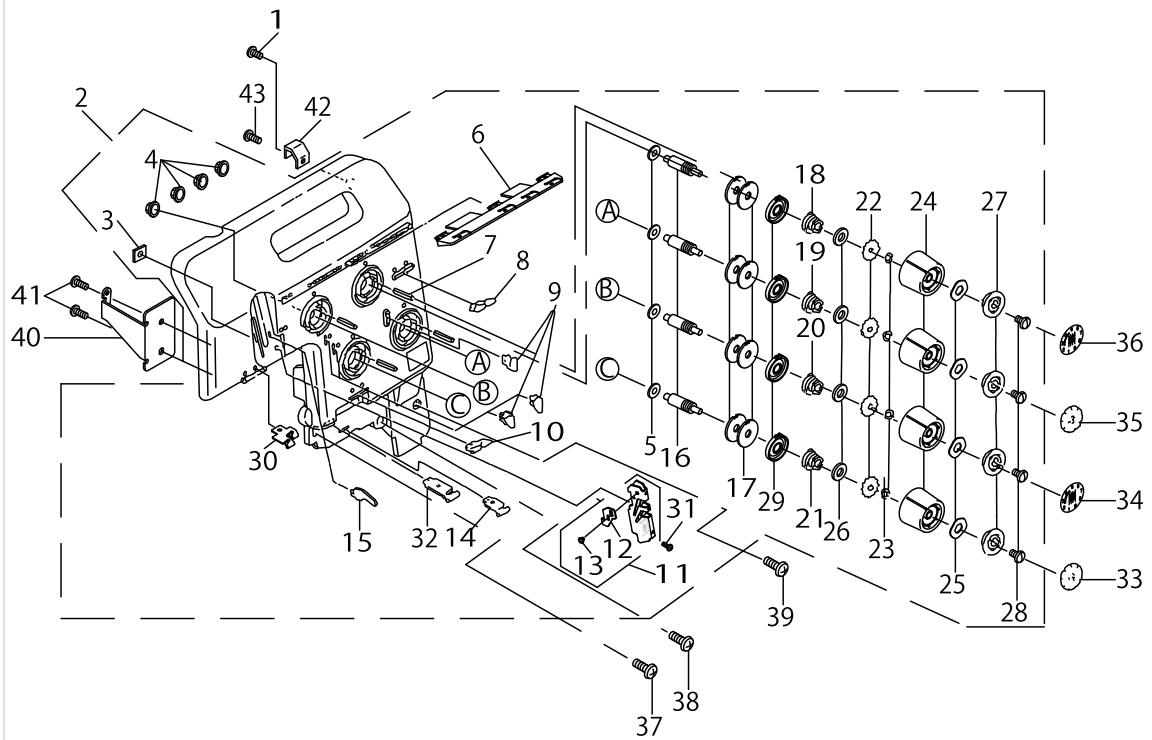


KNIFE COMPONENTS

No.	Parts No.	Parts name	Remarks	Level	Cons	Qty
48	SM4030301SC	SCREW				1
49	A4135655000	CHAIN NEEDLE GUARD REAR				1
50	SM4030455SP	SCREW				4
51	A4132535000	LOWER KNIFE ADJ. BASE BUSHING				1
52	WP0320500SC	WASHER				2



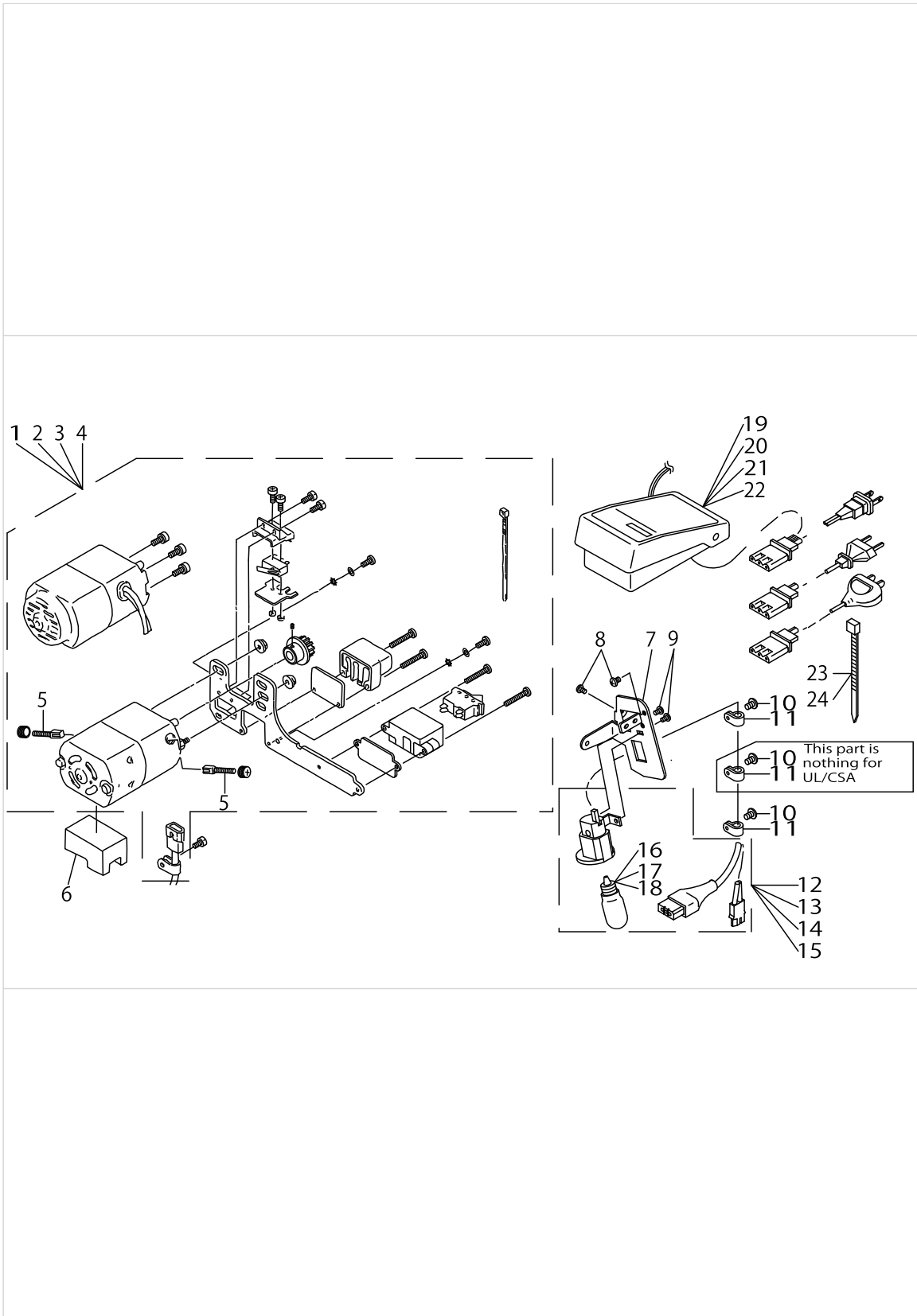
# THREAD TENSION COMPONENTS



THREAD TENSION COMPONENTS

No.	Parts No.	Parts name	Remarks	Level	Cons	Qty
1	SM5030655SN	SCREW				1
2	A31016550A0A	FRONT COVER ASM.				1
3	A3151535000	NUT		*		1
4	A3103502000	NUT		*		4
5	WP0380516SD	WASHER		*		4
6	A31076550B0	1 ST THREAD GUIDE		*		1
7	PS0200202KH	PIN		*		4
8	A3118204000	NEEDLE THREAD GUIDE		*		1
9	A3110202000	THREAD GUIDE B		*		3
10	A3157535000	THREAD GUIDE A		*		1
11	A31196550A0	THREAD TAKE-UP GUIDE ASM.		*		1
12	A3122655000	CHAIN THREAD TAKE-UP GUIDE		*		1
13	SM5030355SN	SCREW		*		1
14	A31576340AA	THREAD GUIDE(D)(LOWER LOOPER)		*		1
15	A3130634000	NEEDLE THREAD GUIDE PLATE		*		1
16	A3102202000	NEEDLE THREAD TENSION SHAFT		*		4
17	B3126352000	TENSION DISC		*		8
18	A3901634000	SPRING		*		1
19	A3901634000	SPRING		*		1
20	A3906634000	SPRING		*		1
21	A3902634000	SPRING		*		1
22	A3134634000	TENSION NUT		*		4
23	WP0510516SD	WASHER		*		4
24	A3104654000A	THREAD ADJUSTING DIAL		*		4
25	A3106202000	WAVED WASHER		*		4
26	A3158535000	THREAD ADJUSTING SPRING WASHER		*		4
27	A3105535000	DIAL PRESER PLATE		*		4
28	A3109534000	SCREW		*		4
29	A3900634000	THREAD TENSION SPRING BUSHING		*		4
30	A3118335000	NEEDLE THREAD GUIDE		*		1
31	SM5030855SN	SCREW		*		1
32	A31576340A0	THREAD GUIDE(C)(UPPER LOOPER)		*		1
33	A3112644000	SEAL (UPPER LOOPER)				1
34	A3114655000	SEAL (LEFT-HAND NEEDLE)				1
35	A3113644000	SEAL (LOWER LOOPER)				1
36	A3111655000	SEAL (RIGHT-HAND NEEDLE)				1
37	SM5040655SN	SCREW				1
38	SM5041055SN	SCREW				1
39	SM5030855SN	SCREW				1
40	A3154634000A	FRONT COV. INSTALLATION HOLDER				1
41	ST5031051SN	TAPPING SCREW				2
42	A3158634000	FRONT COVER FIXING BASE (A)				1
43	ST5031051SN	TAPPING SCREW				1

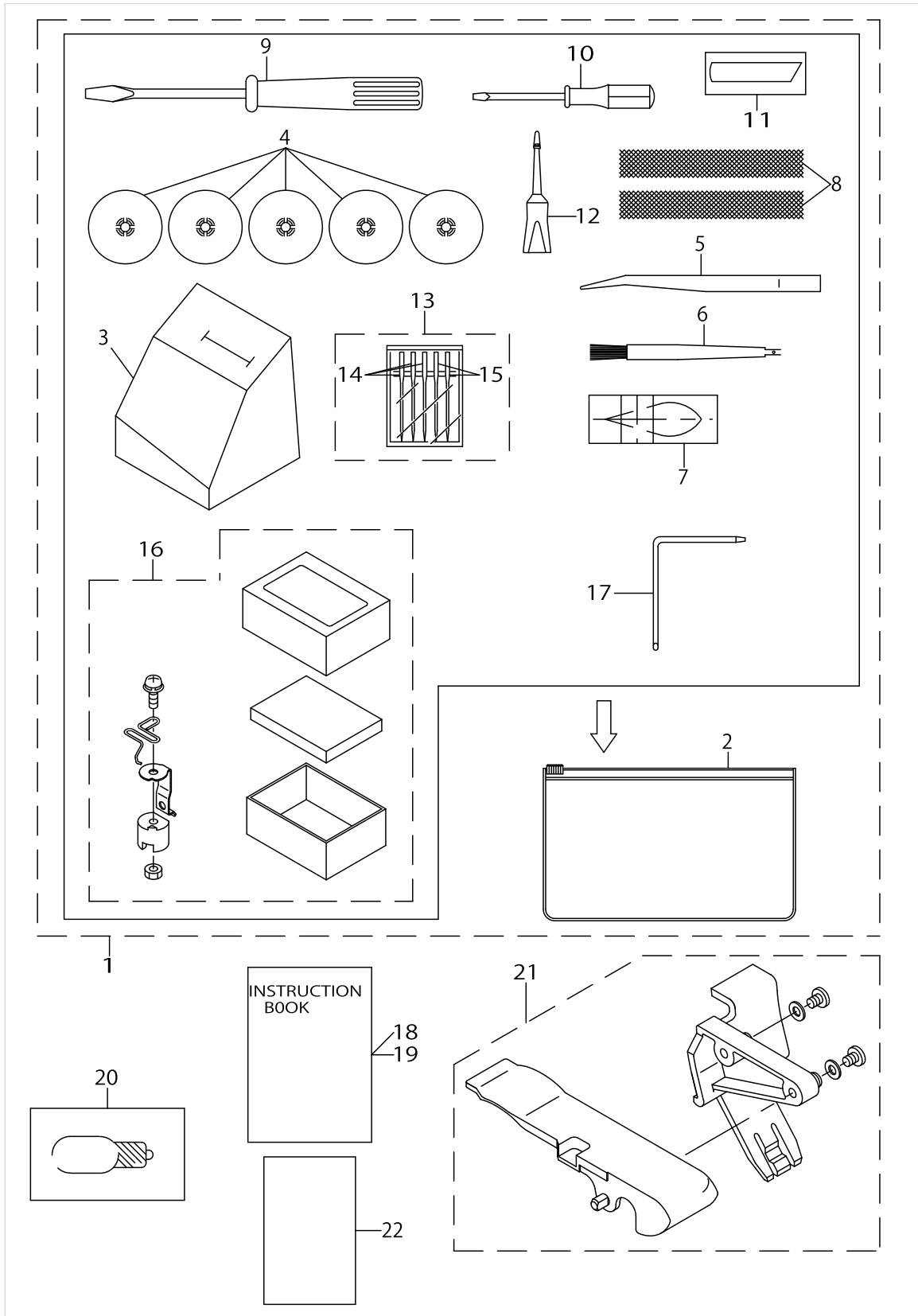
# LAMP & MOTOR CONTROLLER COMPONENTS



LAMP & MOTOR CONTROLLER COMPONENTS

No.	Parts No.	Parts name	Remarks	Level	Cons	Qty
1	A6301634HA0	MOTOR ASM.(SAUDI)				1
2	A6301634DA0B	MOTOR ASM.(UL/CSA)				1
3	A6301634GA0A	MOTOR ASM.(VDE)				1
4	A6301634GA0A	MOTOR ASM.(SAA)				1
5	A6090534000	CARBON BRUSH(UL/CSA)		*		2
6	A6003535000	MOTOR PROTECTOR				1
7	A6007634000	LAMP HOLDER SUPPORT				1
8	SM4040655SN	SCREW				2
9	SM5030555SC	SCREW				2
10	SM4040655SN	SCREW				3
11	HX00150000B	CABLE CLIP				3
12	A60066340A0	LAMP HOLDER ASM.(SAUDI)				1
13	A600653401D	LAMP HOLDER ASM.(UL/CSA)				1
14	A60066340ABA	LAMP HOLDER ASM.(VDE)				1
15	A60066340ABA	LAMP HOLDER ASM.(SAA)				1
16	A6013535000	LAMP (UL/CSA)		*		1
17	A6013534C00	LAMP (VDE/SAA)		*		1
18	A6007134E00	LAMP (SAUDI)		*		1
19	A6401634H00	FOOT CONT. ASM.(SAUDI)				1
20	A6401634DA0C	FOOT CONT. ASM.(UL/CSA)				1
21	A64016440AAA	FOOT CONT. ASM.(VDE)				1
22	A6401634GA0B	FOOT CONT. ASM.(SAA)				1
23	EA9500B0200	CABLE BAND (VDE/SAA/SAUDI)				2
24	EA9500B0200	CABLE BAND (UL/CSA)				1
25	SL5040865SN	SCREW				2

ACCESSORIES PARTS COMPONENTS



ACCESSORIES PARTS COMPONENTS

No.	Parts No.	Parts name	Remarks	Level	Cons	Qty
1	A91216550A0	ACCESORY BAG ASM.				1
2	A9121503000A	ACCESORY BAG WITH ZIPPER		*		1
3	A9102644000	VINYL COVER		*		1
4	A115098000A	SPOOL RETAINER		*		5
5	A9109202000	TWEEZERS		*		1
6	A9105334000	NEEDLE INSERTER TOOL/BRUSH		*		1
7	A91072020AA	NEEDLE THREADER WITH PACK		*		1
8	A9116335000	PLASTIC NET		*		2
9	A9103102000	SCREW DRIVER LARGE		*		1
10	A9107800M00	SCREW DRIVER SMALL		*		1
11	A41455340A0	LOWER KNIFE WITH PACK		*		1
12	A91041020A0	OILER WITH OIL ASM		*		1
13	A91175030A0	NEEDLE CASE ASM. (B)		*		1
14	MHA100B1100	NEEDLE HAX1 #11		*		3
15	MHA100B1400	NEEDLE HAX1 #14		*		2
16	A91303350BS	2/3THREAD SELECTOR ATT.ASM.		*		1
17	A9111335000	RULER ROD		*		1
18	A915065500A	MANUAL(ENG/SPA/GAR/FRA)				1
19	A915065500B	MANUAL(CZECH/POL/HUNG)				1
20	A6013634HA0	LAMP ASM.(SAUDI)				1
21	A11806550A0A	SUPPORT BED ASM.				1
22	A9153655000	QUICK REFERENCE				1

## HOW TO MAKE USE OF THIS PARTS LIST

- 1.As to "#01" and "#02" refer to the "Note" given at the bottom of the respective pages.
- 2.Codes on the "Qty" column
  - Each numeral indicates the number of parts required.
  - "0.1" and "2.5" indicate the length (in meters) of the respective parts.
- 3.Parentheses mean that the corresponding part is a subpart that constructs an assembly part.
- 4.Dotted lines on the Figures indicate assembly parts.

# NUMERICAL INDEX OF PARTS

PART NO	PAGE	REF NO.	PART NO	PAGE	REF NO.	PART NO	PAGE	REF NO.
A1102644000	4	55	A1201655000	6	2	A1614655000	12	93
A11026440A0	4	53	A1202644000	6	6	A1615534DA0	10	19
A1102644A00	4	56	A1205634000	6	9	A1616534D00	12	73
A1102644AA0	4	54	A1206102000	6	5	A1617534D00A	12	72
A110365D000A	2	21	A1206202000	6	4	A1618534D00	12	74
A1104644000A	2	40	A1206335000	6	1	A1618534D0A	12	83
A1104644A00A	2	41	A1206535000	6	7	A16196550A0	10	9
A1106655000	2	18	A1230500000A	6	8	A1620534DA0	10	22
A11156550A0	2	11	A1401535000A	8	17	A1625535000	12	91
A11156550B0B	2	10	A1402535000	8	9	A1627655000	12	76
A1118623000A	2	6	A1403102000	8	3	A1630534D00	10	44
A1119644000A	2	4	A1403102000	16	14	A1630535000	12	82
A1120202000	2	2	A1403335000A	8	16	A1631534D00	12	68
A1120334000	2	5	A1404535000	8	11	A1633534D00	10	25
A11206550A0	2	1	A14066550A0	8	30	A1634655000A	10	23
A1121202000	2	3	A14066550B0	8	29	A1635534D00	10	28
A1121203000	2	31	A1407102000	8	1	A1636534D00	10	11
A11213150A0A	2	36	A1409534000	8	33	A1637534D00	12	67
A1123535000	4	58	A1411335000	8	40	A1637534DA0	12	66
A1124644000	2	19	A1412535000	8	4	A1638776000	10	21
A1131655000A	2	12	A14126550A0	8	5	A1639534D00	12	60
A1132655000	2	13	A1414502000	8	14	A1639535000	12	81
A1135535000	2	39	A14145020A0	8	13	A1640534D00	12	63
A1136314DAAA	2	15	A1416777000	8	31	A1641534D00	12	54
A1138335000	2	9	A1501535000	8	20	A1642655000	12	77
A1145644000	2	20	A15016550B0A	8	37	A1645534D00	12	48
A1146644000	2	16	A15016550C0A	8	35	A1646534D00	12	49
A1147535000	2	34	A1502535000	8	21	A1647534D00	12	51
A115098000A	28	4	A1503634000	8	19	A1648655000	12	80
A11516550B0B	4	60	A15045350A0	8	25	A1650534D00	12	65
A1151655A00A	4	62	A15069DC000	8	27	A1651534DA0	12	59
A1151655B00A	4	63	A1507535000	8	23	A1653776000	10	46
A1151655BB0B	4	61	A15145350C0	8	36	A1654776000A	12	86
A1152655000A	4	64	A1550655000	8	38	A1655534D00	10	30
A11536550A0A	4	67	A1601655000A	10	3	A1657335000	16	32
A1156654000A	2	47	A160265DE00A	10	4	A1657534DA0	10	37
A1160634000	2	43	A160365DE00	10	1	A1659534D00A	10	41
A11615350A0	2	29	A160465DE00	10	2	A1660534D00A	10	32
A1164535000	2	45	A1610655000	10	15	A1661534D00	10	40
A116731500AA	14	14	A1611655000	10	17	A1662655000A	10	29
A1171634000	4	69	A1612535000	12	89	A1663534D00	10	34
A11806550A0A	28	21	A1613535000	10	14	A16637760A0	10	43
A1190655000	4	65	A1613655000	10	5	A1664655000	10	31
A1191655000	2	25	A1614534D00	10	18	A1665534D00	12	56
A1194655000	4	66	A1614655000	10	93	A1675335000	14	40



## NUMERICAL INDEX OF PARTS

PART NO	PAGE	REF NO.	PART NO	PAGE	REF NO.	PART NO	PAGE	REF NO.
A21015350A0	16	12	A2516655000	16	4	A3134634000	24	22
A21023350AS	16	13	A251733500S	16	40	A3150535000	4	52
A21036550A0	14	1	A25176540A0B	16	39	A3151535000	2	23
A2105535000	14	2	A25196340A0	16	37	A3151535000	24	3
A2107655000	14	3	A25206540A0	18	55	A3154634000A	24	40
A21096550B0C	14	4	A25215130A0	18	57	A3157535000	24	10
A21099DC0A0	14	5	A2521534000	16	29	A31576340A0	24	32
A2111335000	16	11	A252633500A	16	42	A31576340AA	24	14
A2112204000	16	15	A2529335000	12	84	A3158535000	24	26
A2112204000	20	17	A2529335000	14	24	A3158634000	24	42
A2113535000	14	18	A2529335000	18	56	A3161634000	4	49
A2114535000	14	20	A25303350AS	16	34	A3205555A00	20	28
A2115655000	14	21	A253133500S	16	45	A3900634000	24	29
A2116535000	14	23	A2531534000	16	31	A3901634000	24	19
A21246550A0	14	27	A253233500S	16	47	A3902634000	24	21
A21255350A0	14	41	A253333500S	18	50	A3906634000	24	20
A2130655000	14	31	A25346540B0A	16	44	A4101503000C	20	2
A21306550A0	14	30	A2535655000	20	42	A41016550A0	20	1
A21306550B0	14	29	A2536554000A	18	52	A4102535000	20	10
A21316550A0	14	32	A253733500SA	18	54	A4103535000	20	5
A21326550A0	14	34	A2537655000	20	44	A4105776000A	20	12
A21346550A0	14	35	A2538554000	2	24	A4106535000	20	6
A2138335000	14	28	A253933500S	18	49	A41075020A0	20	8
A2151655000A	14	7	A2550534000C	16	27	A4108535000	20	15
A2152655000A	14	8	A31016550A0A	24	2	A41216550AC	20	29
A21536550A0	14	13	A3102202000	24	16	A4122655000	20	47
A2154655000A	2	33	A3103502000	24	4	A4123335000	20	32
A2155655000A	14	11	A3104654000A	24	24	A4124335000	20	34
A2156655000	14	15	A3105535000	24	27	A4125655000	20	39
A2158655000	14	16	A3106202000	24	25	A4128535000	20	24
A2159655000	14	17	A31076550B0	24	6	A4130654000A	20	20
A2501534000A	16	23	A3109534000	24	28	A4131655000	20	22
A25015340A0A	16	22	A3110202000	24	9	A4132535000	22	51
A2502534000A	16	18	A3111655000	24	36	A4134655000	20	46
A25025340A0A	16	17	A3112644000	24	33	A4135655000	22	49
A2503776000	16	19	A3113644000	24	35	A4136335000	20	25
A2504776000	16	20	A3114655000	24	34	A4139655000	20	37
A2505776000	16	21	A3118204000	24	8	A4140535000	20	18
A2508335000	18	62	A3118335000	24	30	A4142655000	20	4
A25103350B0	18	60	A31196550A0	24	11	A4145335000	20	31
A2512234000	16	33	A3122655000	24	12	A41455340A0	28	11
A2514534000C	16	6	A3123644A00	2	26	A4147655000	20	36
A25145340A0B	16	5	A3123644B00	2	27	A4149535000	20	30
A2515534000A	16	10	A3123644C00	2	28	A6003535000	26	6
A25156550A0A	16	1	A3130634000	24	15	A600653401D	26	13

# NUMERICAL INDEX OF PARTS

PART NO	PAGE	REF NO.	PART NO	PAGE	REF NO.	PART NO	PAGE	REF NO.
A60066340A0	26	12	NM6030001SE	10	45	SM5030355SN	24	13
A60066340ABA	26	15	PS0200202KH	24	7	SM5030455SN	8	32
A6007134E00	26	18	PS0400222KH	6	3	SM5030555SC	20	45
A6007634000	26	7	RE0200000K0	6	19	SM5030555SC	26	9
A6013534C00	26	17	RE0200000K0	14	36	SM5030655SN	10	55
A6013535000	26	16	RE0200000K0	18	48	SM5030655SN	12	55
A6013634HA0	28	20	RE0300000K0	10	58	SM5030655SN	14	6
A6020535000	6	14	RE0300000K0	12	58	SM5030655SN	16	53
A6021535000	6	10	RE0400000K0	10	62	SM5030655SN	18	53
A6026335EA0	6	15	RE0400000K0	12	62	SM5030655SN	24	1
A6033535000	6	18	RE0400000K0	14	26	SM5030855SN	10	6
A6036535000	6	20	RE0500000K0	8	28	SM5030855SN	24	39
A6051634000	4	57	RE0500000K0	10	92	SM5032555SE	2	32
A6090534000	26	5	RE0500000K0	12	92	SM5040655SN	10	16
A6301634DA0B	26	2	RE0500000K0	20	26	SM5040655SN	24	37
A6301634GA0A	26	4	RE0600000K0	8	7	SM5040855SN	2	46
A6301634HA0	26	1	RE0600000K0	16	30	SM5040855SN	6	11
A6401634DA0C	26	20	RE0600000K0	20	16	SM5040855SN	8	26
A6401634GA0B	26	22	SL4040831SF	2	22	SM5041055SN	10	12
A6401634H00	26	19	SL5031031SN	2	17	SM5041055SN	24	38
A64016440AAA	26	21	SL5040865SN	2	38	SM5043755SC	2	8
A9102644000	28	3	SL5040865SN	26	25	SM5051255SN	2	59
A9103102000	28	9	SM0030401SN	14	33	SM5051255SN	4	59
A91041020A0	28	12	SM1030601SP	20	11	SM6051002TP	20	7
A9105334000	28	6	SM4020351SC	2	14	SM8030302TP	12	57
A91072020AA	28	7	SM4030301SC	8	39	SM8030302TP	14	12
A9107800M00	28	10	SM4030301SC	22	48	SM8030402TP	10	87
A9109202000	28	5	SM4030455SN	6	17	SM8030402TP	12	87
A9111335000	28	17	SM4030455SN	14	38	SM8030402TP	16	28
A9116335000	28	8	SM4030455SP	18	58	SM8030402TP	20	13
A91175030A0	28	13	SM4030455SP	20	50	SM8031202TP	10	33
A9121503000A	28	2	SM4030455SP	22	50	SM8040402SP	8	15
A91216550A0	28	1	SM4030601SN	20	27	SM8040402TP	8	12
A91303350BS	28	16	SM4030655SP	12	78	SM8040402TP	10	90
A915065500A	28	18	SM4030655SP	20	43	SM8040402TP	12	90
A915065500B	28	19	SM4040655SN	4	50	SM8040402TP	14	25
A9153655000	28	22	SM4040655SN	6	13	SM8040402TP	16	61
B3126352000	24	17	SM4040655SN	8	6	SM8040402TP	18	61
EA9500B0200	26	24	SM4040655SN	10	20	SM8040402TP	20	40
HX00150000B	6	12	SM4040655SN	14	42	SM8040602TP	12	71
HX00150000B	26	11	SM4040655SN	16	38	SM8040602TP	14	10
MHA100B1100	8	34	SM4040655SN	20	23	SM8040602TP	16	41
MHA100B1100	28	14	SM4040655SN	26	10	SM8050402TP	8	22
MHA100B1400	8	41	SM4040655SP	20	41	SM8050602TP	8	18
MHA100B1400	28	15	SM4040855SN	4	48	SM8050602TP	16	35

## NUMERICAL INDEX OF PARTS

PART NO	PAGE	REF NO.
SM8050842TP	4	51
SM8060602TP	8	2
SM9040700SP	12	79
SM9040700SP	20	3
SM9050850SP	18	59
ST5030851SN	2	35
ST5030851SN	6	21
ST5030851SN	20	21
ST5031051SN	24	43
ST5041051SN	2	68
ST5041051SN	4	68
ST5041251SN	2	42
WP0320500SC	22	52
WP0320501SC	14	9
WP0320501SC	16	46
WP0380516SD	24	5
WP0430801SC	10	24
WP0510516SD	24	23
WP0820516SP	8	8
WP0820516SP	16	16
WP0820516SP	20	14