

MODEL : MO-623

List No : 6002-00

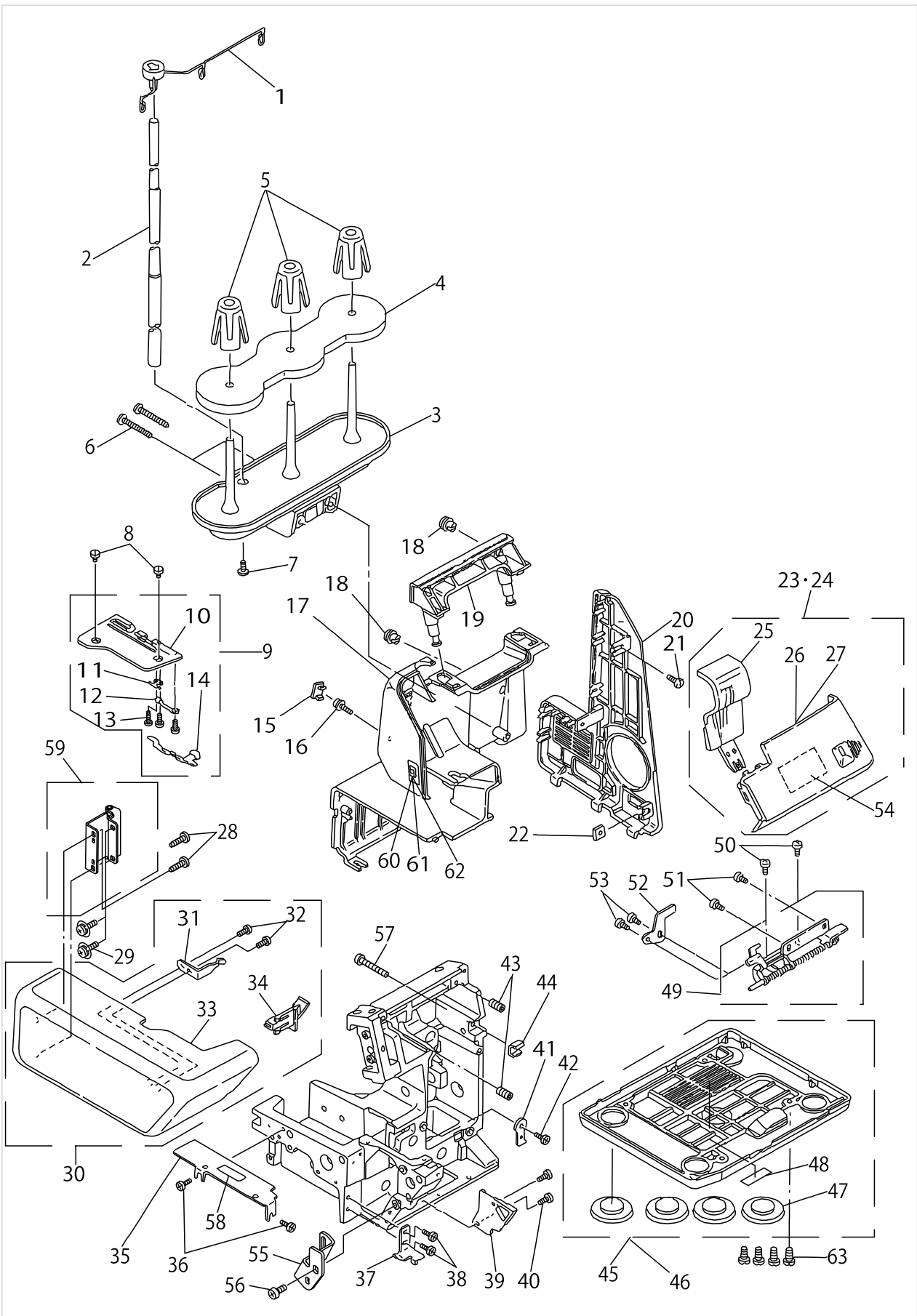
PARTS LIST

Published:09/10/2017

CONTENTS

FRAME COMPONENTS	1
MAIN SHAFT COMPONENTS	5
NEEDLE BAR & PRESSER FOOT COMPONENTS.....	7
FEED MECHANISM COMPONENTS.....	9
LOOPER DRIVE COMPONENTS	11
KNIFE COMPONENTS.....	15
THREAD TENSION COMPONENTS	17
LAMP & MOTOR CONTROLLER COMPONENTS.....	19
ACCESSORIES PARTS COMPONENTS	21
HOW TO MAKE USE OF THIS PARTS LIST	23

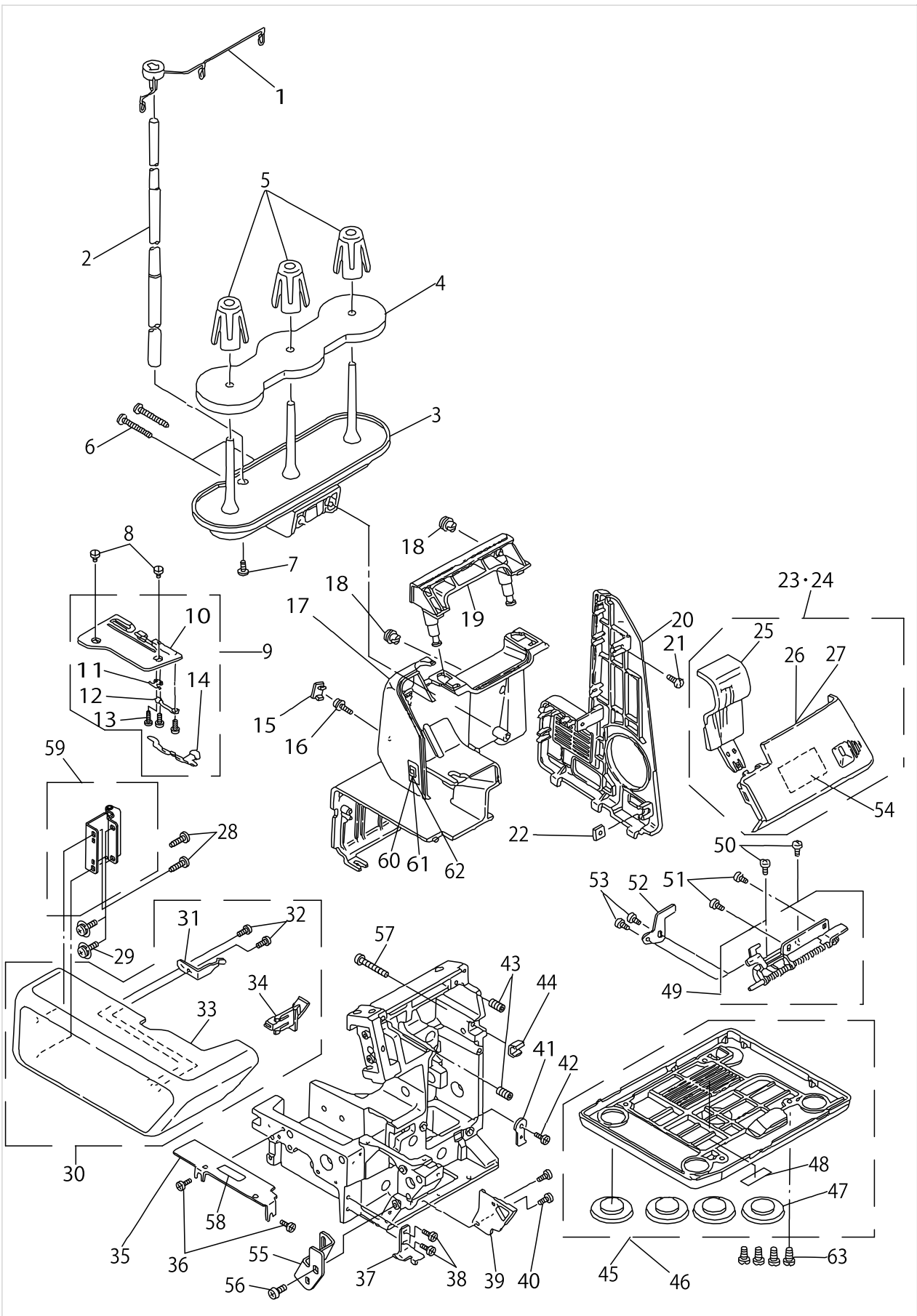
FRAME COMPONENTS



FRAME COMPONENTS

No.	Parts No.	Parts name	Remarks	Level	Cons	Qty
1	A11206230A0	THREAD GUIDE ASM.				1
2	A1120334000	SUPPORTING ROD				1
3	A1118623000A	SPOOL HOLDER				1
4	A1121203000	SPOOL REST CUSHION				1
5	A1120202000	SPOOL RETAINER				3
6	SM5043755SC	SCREW				2
7	SM5051255SN	SCREW				1
8	A1138335000	THROAT PLATE SETSCREW				2
9	A11155030B0A	THROAT PLATE MAS. ASM.				1
10	A11155030A0	THROAT PLATE		*		1
11	A1131203000	SPRING		*		1
12	A1132334000	THREAD SLIP GUIDE		*		1
13	SM4020351SC	SCREW		*		3
14	A1136314DA0A	THROAT PLATE THREAD SLIP ASM.		*		1
15	A1146644000	COVER CAP(B)				1
16	SL5031031SN	SCREW				1
17	A1106644000	REAR COVER W. REFLECTING SEAL				1
18	A1124644000	COVER CAP(A)				2
19	A1145644000	HANDLE				1
20	A1103644000A	SIDE COVER				1
21	SL4040831SF	SCREW M4 L=8				1
22	A3151535000	FRONT COVER NUT				1
23	A11516230A0B	LOOP.COVER ASM.(UL/CSA)				1
24	A1151623BA0B	LOOP.COVER ASM.(VDE/SAA/SAUDI)				1
25	A1152644000B	CHIP GUARD COVER		*		1
26	A1151623A00A	LOOPER COVER		*		1
27	A1151623B00A	LOOPER COVER		*		1
28	ST5041051SN	SCREW				2
29	SL5040865SN	SCREW				2
30	A11046440A0A	CLOTH PLATE ASM.				1
31	A1160634000	CLOTH PLATE OPENING SPRING		*		1
32	ST5041051SN	SCREW		*		2
33	A1104644000A	CLOTH PLATE		*		1
34	A1104644A00A	CLOTH PLATE COVER		*		1
35	A1135535000	OP COVER				1
36	SM5040855SN	SCREW				2
37	A1164535000	CLOTH PLATE PRESSER PLATE				1
38	SM5040855SN	SCREW				2
39	A1156644000	LOOPER COVER GUIDE				1
40	SM4040855SN	SCREW				2
41	A3161634000	FRONT COVER INSTALLATION PLATE				1
42	SM4040655SN	SCREW M4X0.7 L=6				1
43	SM8050842TP	SETSCREW				2
44	A3150535000	FRONT COVER ASM. PLATE				1
45	A11026440A0	BASE PLATE ASM.				1
46	A1102644AA0	BASE PLATE ASM.(SAUDI)				1
47	A1123535000	SUCTION FEET		*		4

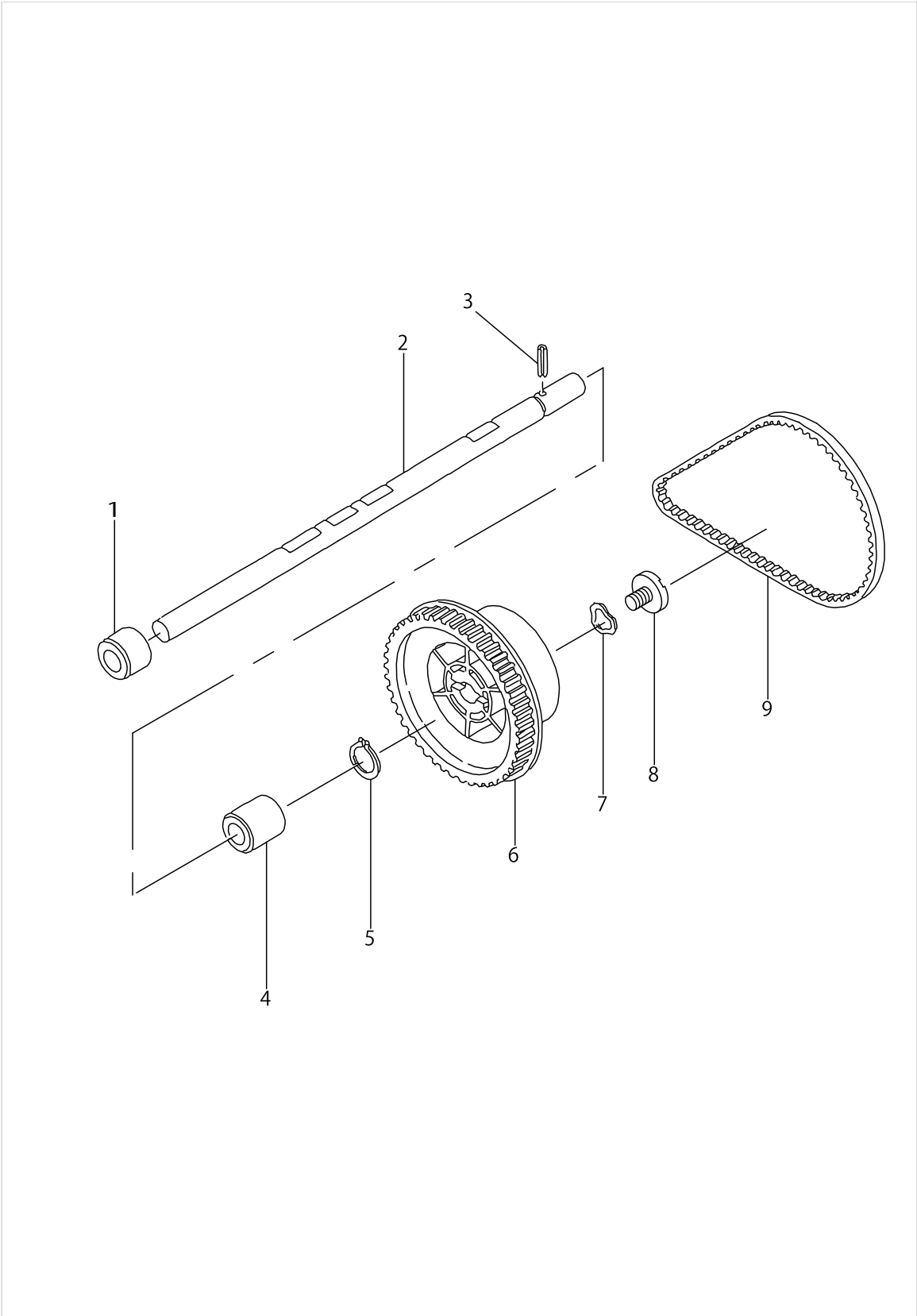
FRAME COMPONENTS



FRAME COMPONENTS

No.	Parts No.	Parts name	Remarks	Level	Cons	Qty
48	A6051634000	SEAL(SAUDI)		*		1
49	A11536440A0	LOOPER COVER HINGE ASM.				1
50	SM5040855SN	SCREW				2
51	ST5041051SN	SCREW				2
52	A1169634000	CHIP GUARD COVER PLATE				1
53	SM4850455SN	SCREW				2
54	A1190623000	THREADING CHART				1
55	A2536524000	SPRING SUPPORT PLATE				1
56	SM5040655SN	SCREW				1
57	SM5032555SE	SCREW M3 L=25				1
58	A9196524000	CAUTION LABEL(UL/CSA)				1
59	A11615350A0	CLOTH PLATE HINGE ASM.				1
60	A3123644A00A	NEEDLE FIXATION LABEL(UL/CSA)				1
61	A3123644B00	NEEDLE FIXATION LABEL(VDE/SAA)				1
62	A3123644C00	NEEDLE FIXATION LABEL(SAUDI)				1
63	SM5051255SN	SCREW				4

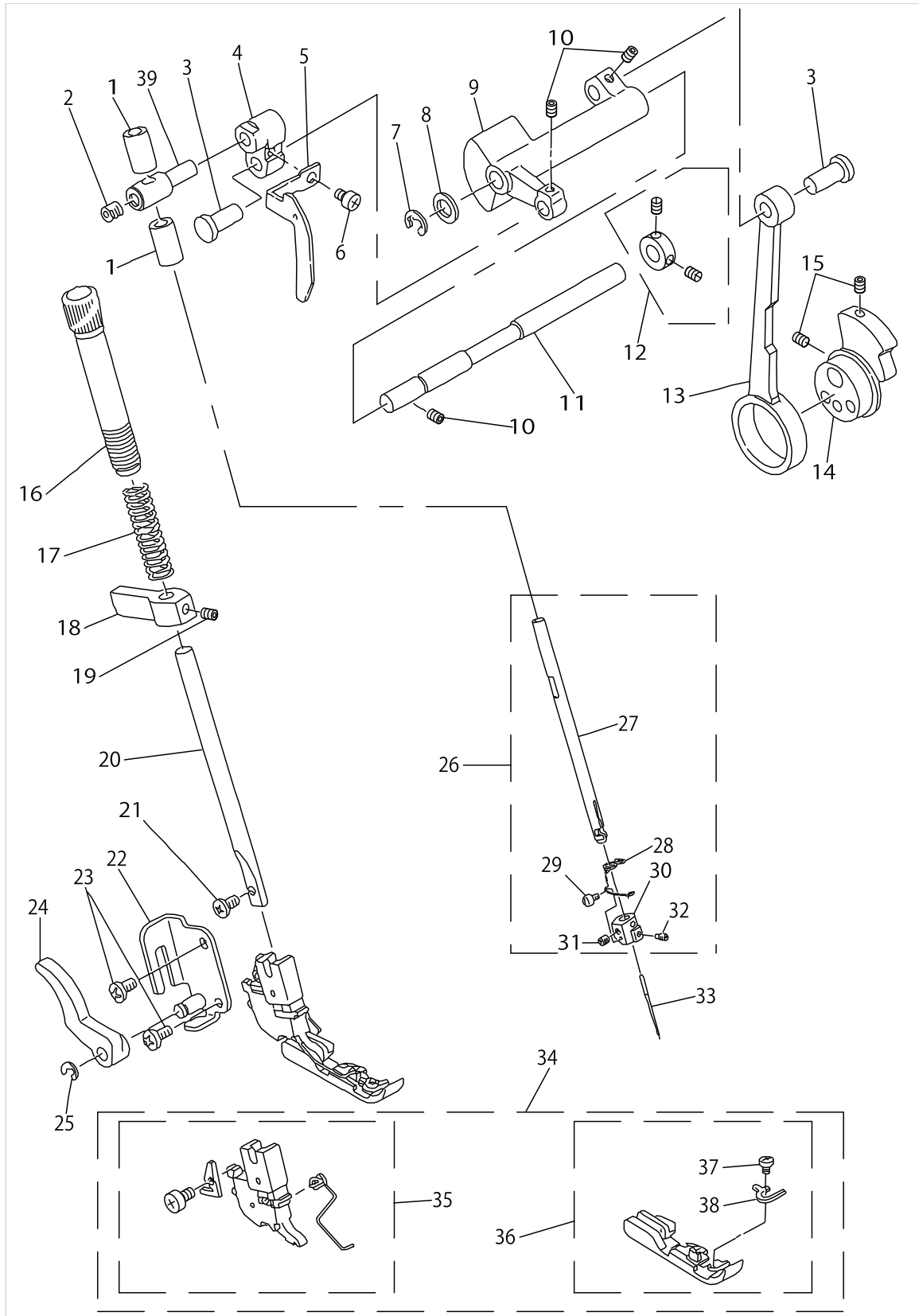
MAIN SHAFT COMPONENTS



MAIN SHAFT COMPONENTS

No.	Parts No.	Parts name	Remarks	Level	Cons	Qty
1	A1206335000	MAIN SHAFT BUSHING FRONT				1
2	A120153500A	MAIN SHAFT				1
3	PS0400222KH	PIN				1
4	A1206202000	MAIN SHAFT BUSHING				1
5	A1206102000	C RING				1
6	A1202644000	HANDWHEEL				1
7	A1206535000	HANDWHEEL WASHER				1
8	A1230500000A	HANDWHEEL SETSCREW				1
9	A1205634000	TIMING BELT				1

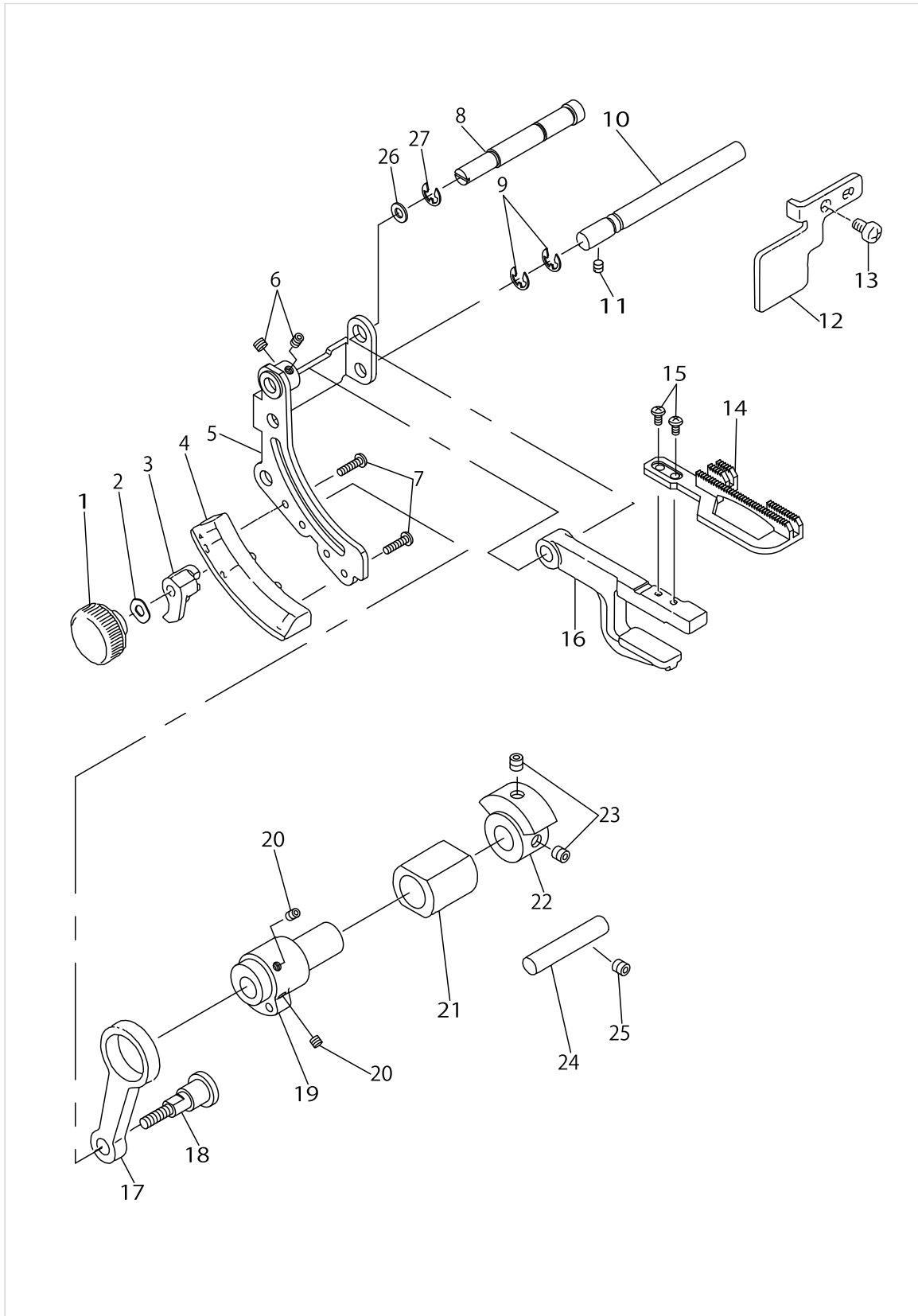
NEEDLE BAR & PRESSER FOOT COMPONENTS



NEEDLE BAR & PRESSER FOOT COMPONENTS

No.	Parts No.	Parts name	Remarks	Level	Cons	Qty
1	A1407102000	NEEDLE BAR BUSHING LOWER				2
2	SM8060602TP	SCREW M6X6				1
3	A1403102000	CONNECTING PIN				2
4	A1412535000	NEEDLE BAR LINK				1
5	A1413613000	NEEDLE THREAD TAKE-UP				1
6	SM4040655SN	SCREW M4X0.7 L=6				1
7	RE0600000K0	E-RING 6				1
8	WP0820516SP	WASHER 11.6X8.2X0.6				1
9	A1402535000	NEEDLE BAR CRANK				1
10	SM8040402TP	SCREW M4X0.7 L=4				3
11	A1404535000	NEEDLE BAR DRIVING SHAFT				1
12	A14145020A0	THRUST COLLAR ASM.				1
13	A1403335000A	NEEDLE BAR CRANK ROD				1
14	A1401535000A	NEEDLE BAR DRIVING CAM				1
15	SM8050602TP	SCREW M5 L=6				2
16	A1503634000	PRESSER FOOT ADJ. SCREW				1
17	A1501535000	PRESSER SPRING				1
18	A1502535000	PRESSER BAR GUIDE BRACKET				1
19	SM8050402TP	SCREW				1
20	A1507535000	PRESSER BAR				1
21	SM5040855SN	SCREW				1
22	A15045350A0	LIFTING LEVER SET PLATE ASM.				1
23	SM5040855SN	SCREW				2
24	A1506644000	LIFTING LEVER				1
25	RE0500000K0	E-RING				1
26	A14065130B0	NEEDLE BAR ASM.				1
27	A14065030A0	NEEDLE BAR		*		1
28	A1405513000	NEEDLE BAR THREAD GUIDE		*		1
29	SM4850455SP	SCREW		*		1
30	A1407303000	NEEDLE CLAMP		*		1
31	SM8040402TP	SCREW M4X0.7 L=4		*		1
32	A1409303000	SCREW		*		1
33	MHA100B1100	NEEDLE HAX1 #11				1
34	A15016230C0A	PRESSER FOOT MAS. ASM.				1
35	A15145350B0	PRESSER FOOT SHANK ASM.		*		1
36	A15016130B0A	PRESSER FOOT ASM.		*		1
37	SM4030301SC	SCREW M3X3		*		1
38	A1550634000	TAPE GUIDE PLATE		*		1
39	A1411335000	CLOTH PLATE FIXING SPRING				1

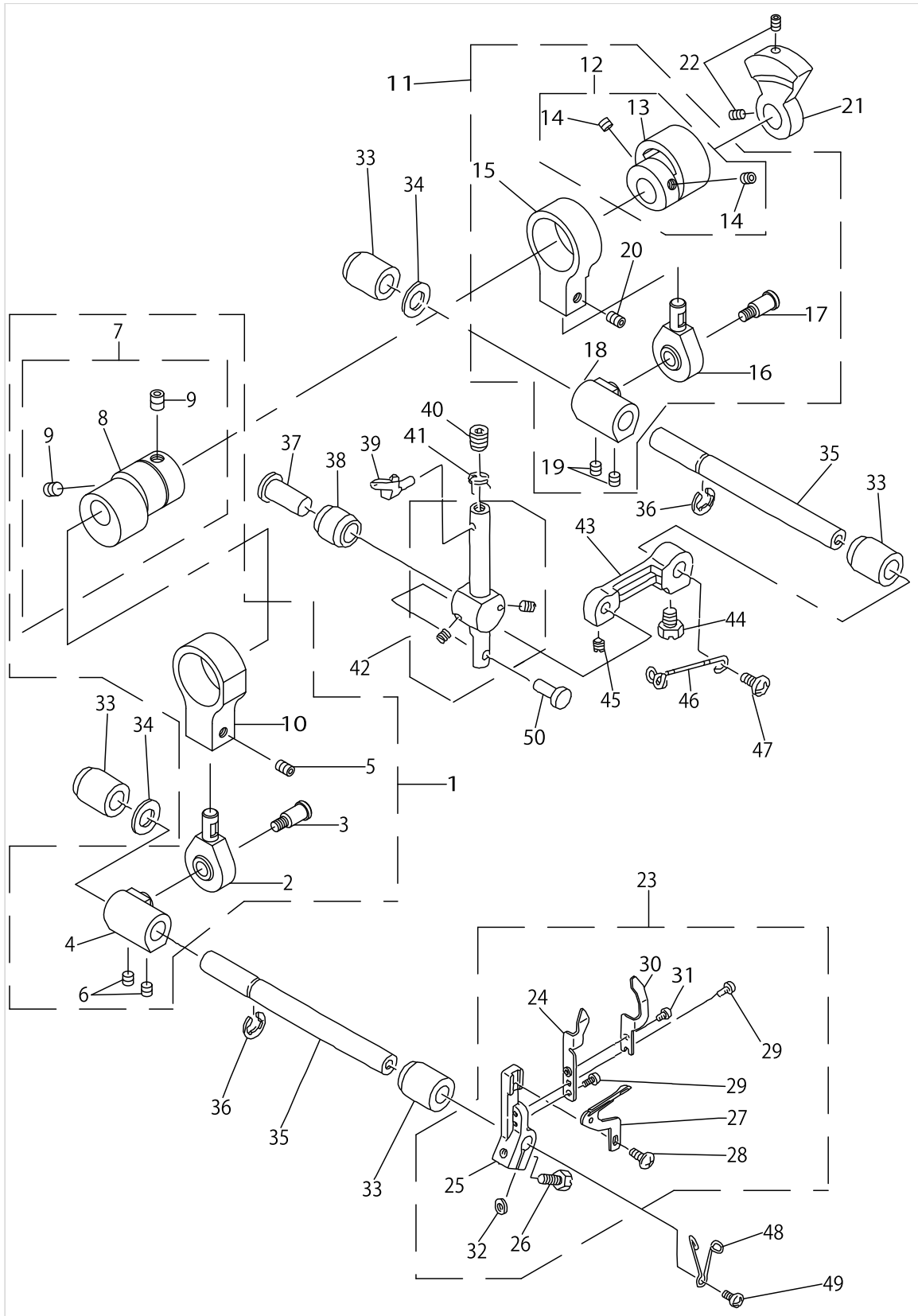
FEED MECHANISM COMPONENTS



FEED MECHANISM COMPONENTS

No.	Parts No.	Parts name	Remarks	Level	Cons	Qty
1	A1650534000	FEED ADJUSTING KNOB				1
2	WZ0430200KP	WASHER				1
3	A1652535000	FEED ADJUSTING POINTER				1
4	A1628535000A	FEED ADJUSTING SCREW				1
5	A16235350A0	FEED BASE ARM				1
6	SM8040302TP	SETSCREW				2
7	ST4861051SN	TAPING SCREW				2
8	A1626535000A	FEED BASE SUPPOTING SHAFT				1
9	RE0500000K0	E-RING				2
10	A1622535000	HORIZONTAL FEED SHAFT				1
11	SM8040402TP	SCREW M4X0.7 L=4				1
12	A1613535000	FEED BASE GUIDE				1
13	SM4040655SN	SCREW M4X0.7 L=6				1
14	A1627503000	FEED DOG				1
15	SM4030655SP	SCREW				2
16	A1625535000	FEED BASE ARM				1
17	A1616535000	HORIZONTAL FEED CAM				1
18	A1651535000	FEED ADJUSTING ROD				1
19	A1617534000A	VERTICAL/HORIZONTAL FEED CAM				1
20	SM8040602TP	SCREW M4X0.7 L=6				2
21	A1630535000	VERTICAL FEED ADS.				1
22	A1207503000	VERTICAL FEED BALANCE WEIGHT				1
23	SM8040602TP	SCREW M4X0.7 L=6				2
24	A1612535000	FEED BASE GUIDE ROD				1
25	SM8040402TP	SCREW M4X0.7 L=4				1
26	WP0641600SD	WASHER				1
27	RE0500000K0	E-RING				1

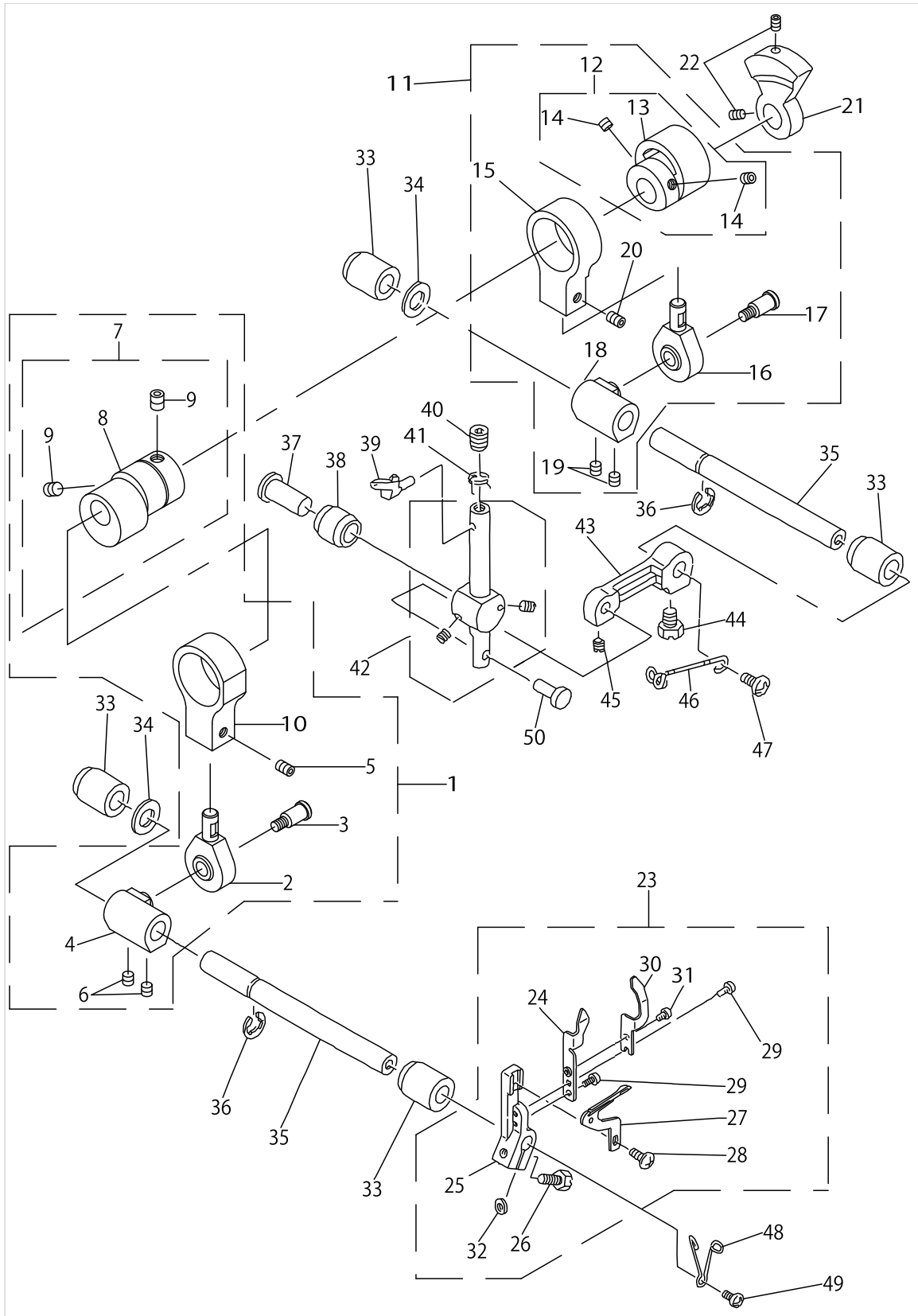
LOOPER DRIVE COMPONENTS



LOOPER DRIVE COMPONENTS

No.	Parts No.	Parts name	Remarks	Level	Cons	Qty
1	A25155340A0B	LOWER LOOPER ROD ASM.				1
2	A2503776000	CONNECTING ROD		*		1
3	A2504776000	CONNECTING SCREW		*		1
4	A2505776000	LOOPER DRIVING ARM		*		1
5	SM8040602TP	SCREW M4X0.7 L=6		*		1
6	SM8040402TP	SCREW M4X0.7 L=4		*		2
7	A25145340A0B	LOWER LOOPER CAM ASM.		*		1
8	A2514534000C	LOWER LOOPER CAM		*		1
9	SM8050602TP	SCREW M5 L=6		*		2
10	A2515534000A	LOWER LOOPER ROD		*		1
11	A25025340A0A	UPPER LOOPER ROD ASM.				1
12	A25015340A0A	UPPER LOOPER CAM ASM.		*		1
13	A2501534000A	UPPER LOOPER CAM		*		1
14	SM8040402TP	SCREW M4X0.7 L=4		*		2
15	A2502534000A	UPPER LOOPER ROD		*		1
16	A2503776000	CONNECTING ROD		*		1
17	A2504776000	CONNECTING SCREW		*		1
18	A2505776000	LOOPER DRIVING ARM		*		1
19	SM8040402TP	SCREW M4X0.7 L=4		*		2
20	SM8040602TP	SCREW M4X0.7 L=6		*		1
21	A2550534000C	LOOPER BALANCER				1
22	SM8040402TP	SCREW M4X0.7 L=4				2
23	A25175030AA	LOWER LOOPER SUPPORT ARM ASM.				1
24	A2536535000	NEEDLE GUARD REAR		*		1
25	A2517535000	LOWER LOOPER SUPPORT ARM		*		1
26	SM9051400SN	HEXAGON BOLT		*		1
27	A252633500S	LOWER LOOPER		*		1
28	SM5030655SN	SCREW M3X0.5 L=6		*		1
29	SM4030655SP	SCREW		*		2
30	A2535535000	NEEDLE GUARD FRONT		*		1
31	SM4030455SP	SCREW		*		1
32	A2518534000	SPACER		*		1
33	A2112204000	SUB FEED ADJUSTING METAL				4
34	WP0820516SP	WASHER 11.6X8.2X0.6				2
35	A2521534000	LOOPER SHAFT				2
36	RE0600000K0	E-RING 6				2
37	A2531534000A	UPPER LOOPER GUIDE SHAFT				1
38	A2561777000	HORI. FEED SHAFT METAL FRONT				1
39	A2512234000	UPPER LOOPER				1
40	SM8050602TP	SCREW M5 L=6				1
41	A25215130A0	UP LOOPER THREAD GUIDE				1
42	A25303350AS	UPPER LOOPER SLIDE STUD ASM.				1
43	A2510334000	UPPER LOOPER OSC. ARM CONNECT				1
44	SM9050850SP	SCREW				1
45	SM8040402TP	SCREW M4X0.7 L=4				1
46	A25196340A0	UPPER LOOPER THREAD TAKE-UP				1
47	SM4040655SN	SCREW M4X0.7 L=6				1

LOOPER DRIVE COMPONENTS



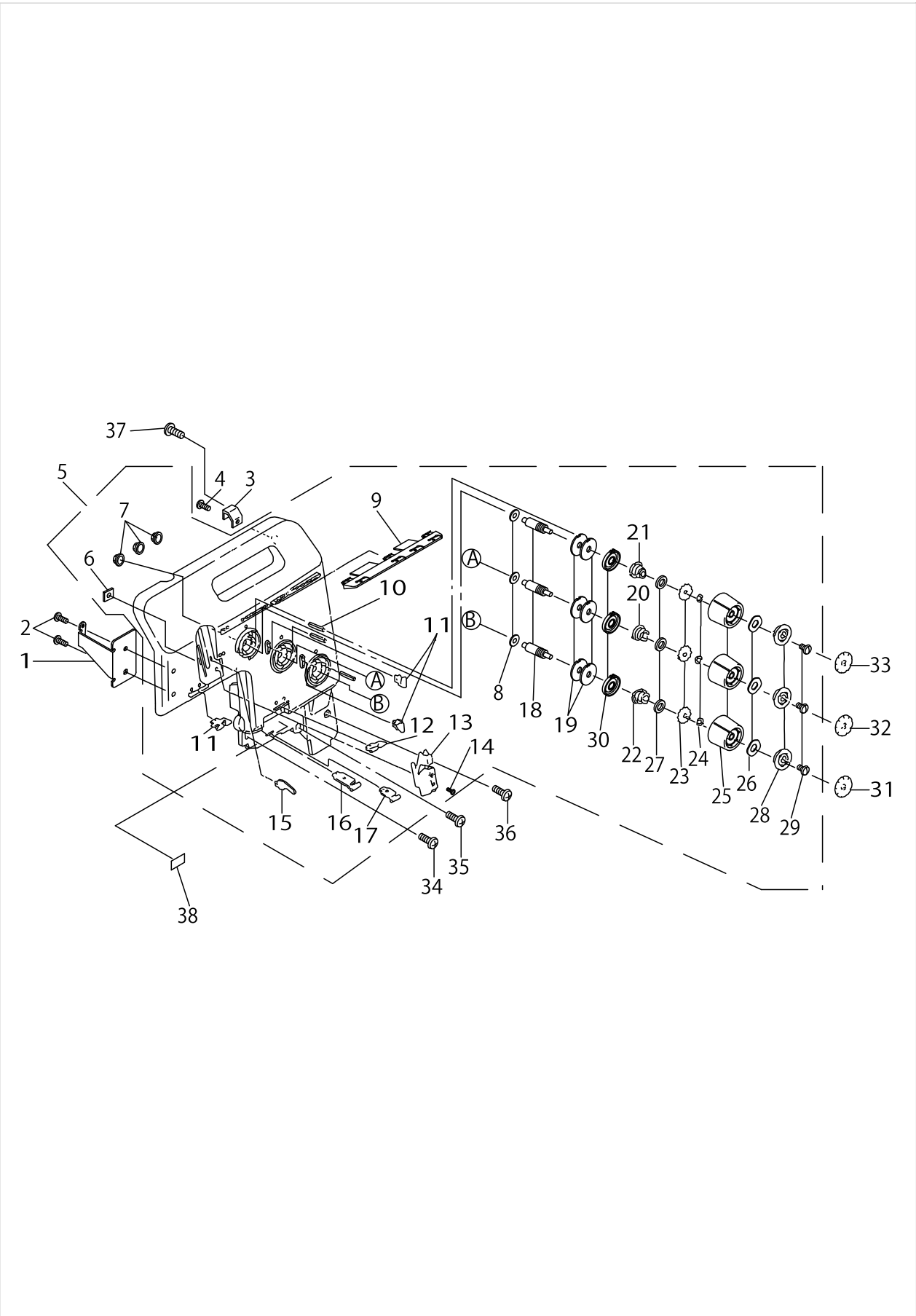
LOOPER DRIVE COMPONENTS

No.	Parts No.	Parts name	Remarks	Level	Cons	Qty
48	A25205340A0	LOWER THREAD GUIDE				1
49	SM4040655SN	SCREW M4X0.7 L=6				1
50	A2529335000	UPPER LOOPER ARM PIN				1

KNIFE COMPONENTS

No.	Parts No.	Parts name	Remarks	Level	Cons	Qty
1	A41016440A0	UPPER KNIFE DRIVING ARM ASM.				1
2	SM9040700SP	HEXAGONAL BOLT		*		1
3	A4142335000	UPPER KNIFE HOLDER SHAFT ASM.		*		1
4	A4103535000	UPPER KNIFE HOLDER		*		1
5	A4106535000	KNIFE PRESSER SPRING		*		1
6	SM6051002TP	SCREW M5X0.8 L=10		*		1
7	A4101503000C	UPPER KNIFE DRIVING ARM		*		1
8	SM8040402TP	SCREW M4X0.7 L=4		*		1
9	A4102535000	UPPER KNIFE FORKED ARM		*		1
10	A41075020A0	KNIFE SPRING SUPPORTING PLATE		*		1
11	SM1030601SP	SCREW M3 L=6		*		1
12	A4105776000A	UPPER KNIFE TURNING KNOB		*		1
13	SM8030402TP	SCREW M3X0.5 L=4		*		2
14	A2112204000	SUB FEED ADJUSTING METAL				2
15	WP8020516SP	WASHER				1
16	A4108535000	UPPER KNIFE SHAFT				1
17	RE0600000K0	E-RING 6				1
18	A4130524000	LOWER KNIFE ADJ.KNOB				1
19	A4131524000	LOWER KNIFE ADJ.SUPPORT				1
20	SM5030855SN	SCREW				1
21	A4136524000	LOWER KNIFE HOLDER SPRING				1
22	A3205555A00	STOPPER				1
23	A41215240A0	LOWER KNIFE HOLDER ASM.				1
24	A4149535000	LOWER KNIFE ANGLE ADJ.SUPPORT				1
25	A4145335000	LOWER KNIFE				1
26	A4123335000	LOWER KNIFE PRESSER PLATE				1
27	SM4040655SP	SCREW M4 L=6				2
28	A4124335000	LOWER KNIFE SUPPORTING PLATE				1
29	SM4030655SP	SCREW				1
30	SM4040655SP	SCREW M4 L=6				2
31	A4147535000	CHIP GUARD COVER STOPPER				1
32	A4139655000	LOWER KNIFE HOLDER SUPPORT				1
33	A4125524000	LOWER KNIFE HOLDER SHAFT				1
34	SM8040402TP	SCREW M4X0.7 L=4				1
35	A4132524000	LOWER KNIFE ADJ.KNOB STOPPER				1
36	A4133524000	LOWER KNIFE ADJ.SPRING				1
37	SL4030631SC	SCREW M3X6				1
38	RE0600000K0	E-RING				1

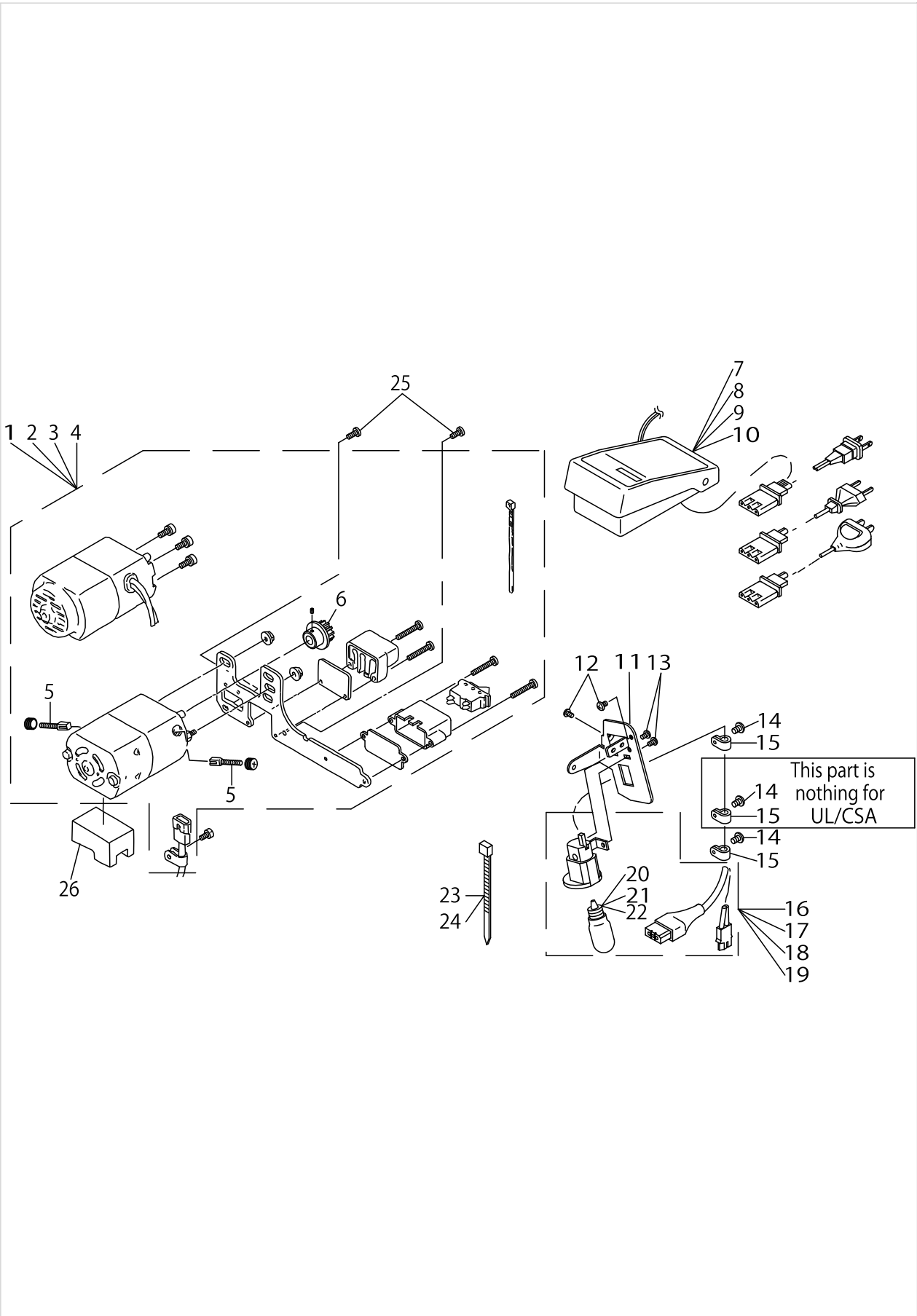
THREAD TENSION COMPONENTS



THREAD TENSION COMPONENTS

No.	Parts No.	Parts name	Remarks	Level	Cons	Qty
1	A3154634000A	F. COVER INSTALLATION HOLDER				1
2	ST5031051SN	TAPPING SCREW				2
3	A3158634000	FRONT COVER FIX PLATE(A)				1
4	ST5031051SN	TAPPING SCREW				1
5	A31016230A0A	FRONT COVER ASM.				1
6	A3151535000	FRONT COVER NUT		*		1
7	A3103502000	NUT		*		3
8	WP0380516SD	WASHER		*		3
9	A31076230B0	1 ST THREAD GUIDE MAS. ASM.		*		1
10	PS0200202KH	PIN		*		3
11	A3110202000	THREAD GUIDE B		*		3
12	A3157535000	THREAD GUIDE A		*		1
13	A3119503000	NEEDLE THREAD TAKE-UP COVER		*		1
14	SM5030855SN	SCREW		*		1
15	A3130634000	LOCK NEEDLE THREAD GUIDE		*		1
16	A31576340A0	THREAD GUIDE(C) (UP.LOOPER)		*		1
17	A31576340AA	THREAD GUIDE(D) (LOWER LOOPER)		*		1
18	A3102202000	NEEDLE THREAD TENSION SHAFT		*		3
19	B3126352000	TENSION DISC		*		6
20	A3902634000	UP.LOOP.SPRING		*		1
21	A3905634000	NEEDLE SPRING		*		1
22	A3901634000	LOWER LOOP.SPRING		*		1
23	A3134634000	TENSION NUT		*		3
24	WP0510516SD	WASHER 5.1X7.5X0.5		*		3
25	A3104644000A	THREAD ADJUSTING DIAL		*		3
26	A3106202000	WAVED WASHER		*		3
27	A3158535000	THREAD ADJUSTING SPRING WASHER		*		3
28	A3105535000	DIAL PRESER PLATE		*		3
29	A3109534000	SCREW		*		3
30	A3900634000	THREAD TAKE-UP SPRING		*		3
31	A3113623000	SEAL (LOWER LOOPER)				1
32	A3112623000	SEAL (UPPER LOOPER)				1
33	A3111623000	SEAL (NEEDLE THREAD)				1
34	SM5040655SN	SCREW				1
35	SM5041055SN	SCREW M4X10				1
36	SM5030855SN	SCREW				1
37	SM5030655SN	SCREW M3X0.5 L=6				1
38	A9196524000	CAUTION LABEL (UL/GSA)				1

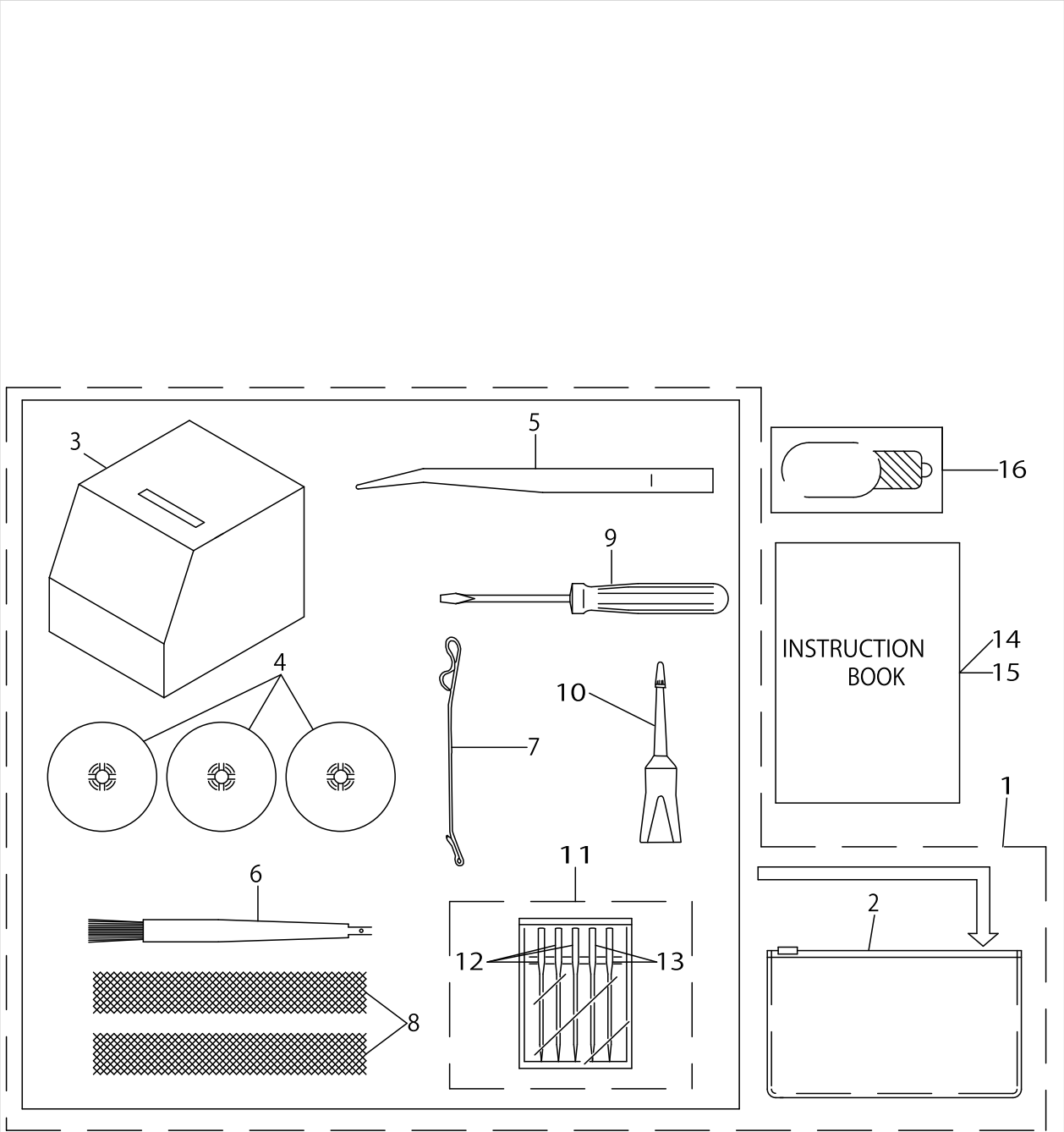
LAMP & MOTOR CONTROLLER COMPONENTS



LAMP & MOTOR CONTROLLER COMPONENTS

No.	Parts No.	Parts name	Remarks	Level	Cons	Qty
1	A63016440BC	MOTOR ASM. (SAUDI)				1
2	A63016440B0A	MOTOR ASM. (UL/CSA)				1
3	A63016440BAA	MOTOR ASM. (VDE)				1
4	A63016440BBA	MOTOR ASM. (SAA)				1
5	A6090534000	CARBON BRUSH (UL/CSA)		*		2
6	A6010634000A	MOTOR PULLEY (SAUDI)		*		1
7	A6401634DA0C	FOOT CONT. ASM. (UL/CSA)				1
8	A64016440AAA	FOOT CONT. ASM. (VDE)				1
9	A6401634GA0B	FOOT CONT. ASM. (SAA)				1
10	A6401634H00	FOOT CONT. (SAUDI)				1
11	A6007634000	LAMP HOLDER SUPPORT				1
12	SM4040655SN	SCREW M4X0.7 L=6				2
13	SM5030555SC	SCREW				2
14	SM4040655SN	SCREW M4X0.7 L=6				3
15	HX00150000B	CABLE CLIP				3
16	A60066340A0	LAMP HOLDER ASM. (SAUDI)				1
17	A600653401D	LAMP HOLDER ASM. (UL/CSA)				1
18	A60066340ABA	LAMP HOLDER ASM. (VDE)				1
19	A60066340ABA	LAMP HOLDER ASM. (SAA)				1
20	A6013535000	LAMP (UL/CSA)		*		1
21	A6013534C00	LAMP (VDE/SAA)		*		1
22	A6007134E00	LAMP (SAUDI)		*		1
23	EA9500B0200	CABLE BAND 150 (VDE/SAA/SAUDI)				2
24	EA9500B0200	CABLE BAND 150 (UL/CSA)				1
25	SL5040865SN	SCREW				2
26	A6003535000	MOTOR PROTECTOR				1

ACCESSORIES PARTS COMPONENTS



ACCESSORIES PARTS COMPONENTS

No.	Parts No.	Parts name	Remarks	Level	Cons	Qty
1	A91216230A0	ACCESSORY BAG ASM.				1
2	A9121503000A	ACCESSORY BAG WITH ZIPPER		*		1
3	A9102644000	VINYL COVER		*		1
4	A155098000A	SPOOL RETAINER		*		3
5	A9109202000	TWEEZERS		*		1
6	A9105334000	NEEDLE INSERTER TOOL/BRUSH		*		1
7	A9110335000	LOOPER THREADER		*		1
8	A9116335000	PLASTIC NET		*		2
9	A9107800M00	SCREW-DRIVER (SMALL)		*		1
10	A91041020A0	OILER WITH OIL ASM.		*		1
11	A91175030A0	NEEDLE SET WITH CASE		*		1
12	MHA100B1100	NEEDLE HAX1 #11		*		3
13	MHA100B1400	NEEDLE 130/705H #90		*		2
14	A915062300A	MANUAL (ENG/FRA/GER/SPA)				1
15	A915062300B	MANUAL (CZECH/POL/HUNG)				1
16	A6013634HA0	LAMP ASM. (SAUDI)				1

HOW TO MAKE USE OF THIS PARTS LIST

- 1.As to "#01" and "#02" refer to the "Note" given at the bottom of the respective pages.
- 2.Codes on the "Qty" column
 - Each numeral indicates the number of parts required.
 - "0.1" and "2.5" indicate the length (in meters) of the respective parts.
- 3.Parentheses mean that the corresponding part is a subpart that constructs an assembly part.
- 4.Dotted lines on the Figures indicate assembly parts.

NUMERICAL INDEX OF PARTS

PART NO	PAGE	REF NO.	PART NO	PAGE	REF NO.	PART NO	PAGE	REF NO.
A11026440A0	2	45	A1402535000	8	9	A2503776000	12	16
A1102644AA0	2	46	A1403102000	8	3	A2504776000	12	17
A1103644000A	2	20	A1403335000A	8	13	A2505776000	12	18
A1104644000A	2	33	A1404535000	8	11	A2510334000	12	43
A11046440A0A	2	30	A1405513000	8	28	A2512234000	12	39
A1104644A00A	2	34	A14065030A0	8	27	A2514534000C	12	8
A1106644000	2	17	A14065130B0	8	26	A25145340A0B	12	7
A11155030A0	2	10	A1407102000	8	1	A2515534000A	12	10
A11155030B0A	2	9	A1407303000	8	30	A25155340A0B	12	1
A1118623000A	2	3	A1409303000	8	32	A25175030AA	12	23
A1120202000	2	5	A1411335000	8	39	A2517535000	12	25
A1120334000	2	2	A1412535000	8	4	A2518534000	12	32
A11206230A0	2	1	A1413613000	8	5	A25196340A0	12	46
A1121203000	2	4	A14145020A0	8	12	A25205340A0	14	48
A1123535000	2	47	A1501535000	8	17	A25215130A0	12	41
A1124644000	2	18	A15016130B0A	8	36	A2521534000	12	35
A1131203000	2	11	A15016230C0A	8	34	A252633500S	12	27
A1132334000	2	12	A1502535000	8	18	A2529335000	14	50
A1135535000	2	35	A1503634000	8	16	A25303350AS	12	42
A1136314DA0A	2	14	A15045350A0	8	22	A2531534000A	12	37
A1138335000	2	8	A1506644000	8	24	A2535535000	12	30
A1145644000	2	19	A1507535000	8	20	A2536524000	4	55
A1146644000	2	15	A15145350B0	8	35	A2536535000	12	24
A11516230A0B	2	23-24	A1550634000	8	38	A2550534000C	12	21
A1151623A00A	2	26	A155098000A	22	4	A2561777000	12	38
A1151623B00A	2	27	A1612535000	10	24	A31016230A0A	18	5
A1151623BA0B	2	23-24	A1613535000	10	12	A3102202000	18	18
A1152644000B	2	25	A1616535000	10	17	A3103502000	18	7
A11536440A0	4	49	A1617534000A	10	19	A3104644000A	18	25
A1156644000	2	39	A1622535000	10	10	A3105535000	18	28
A1160634000	2	31	A16235350A0	10	5	A3106202000	18	26
A11615350A0	4	59	A1625535000	10	16	A31076230B0	18	9
A1164535000	2	37	A1626535000A	10	8	A3109534000	18	29
A1169634000	4	52	A1627503000	10	14	A3110202000	18	11
A1190623000	4	54	A1628535000A	10	4	A3111623000	18	33
A120153500A	6	2	A1630535000	10	21	A3112623000	18	32
A1202644000	6	6	A1650534000	10	1	A3113623000	18	31
A1205634000	6	9	A1651535000	10	18	A3119503000	18	13
A1206102000	6	5	A1652535000	10	3	A3123644A00A	4	60
A1206202000	6	4	A2112204000	12	33	A3123644B00	4	61
A1206335000	6	1	A2112204000	16	14	A3123644C00	4	62
A1206535000	6	7	A2501534000A	12	13	A3130634000	18	15
A1207503000	10	22	A25015340A0A	12	12	A3134634000	18	23
A1230500000A	6	8	A2502534000A	12	15	A3150535000	2	44
A1401535000A	8	14	A25025340A0A	12	11	A3151535000	2	22

NUMERICAL INDEX OF PARTS

PART NO	PAGE	REF NO.	PART NO	PAGE	REF NO.	PART NO	PAGE	REF NO.
A3151535000	18	6	A6051634000	4	48	SM4030301SC	8	37
A3154634000A	18	1	A6090534000	20	5	SM4030455SP	12	31
A3157535000	18	12	A63016440B0A	20	2	SM4030655SP	10	15
A31576340A0	18	16	A63016440BAA	20	3	SM4030655SP	12	29
A31576340AA	18	17	A63016440BBA	20	4	SM4030655SP	16	29
A3158535000	18	27	A63016440BC	20	1	SM4040655SN	2	42
A3158634000	18	3	A6401634DA0C	20	7	SM4040655SN	8	6
A3161634000	2	41	A6401634GA0B	20	9	SM4040655SN	10	13
A3205555A00	16	22	A6401634H00	20	10	SM4040655SN	12	49
A3900634000	18	30	A64016440AAA	20	8	SM4040655SN	14	49
A3901634000	18	22	A9102644000	22	3	SM4040655SN	20	14
A3902634000	18	20	A91041020A0	22	10	SM4040655SP	16	30
A3905634000	18	21	A9105334000	22	6	SM4040855SN	2	40
A4101503000C	16	7	A9107800M00	22	9	SM4850455SN	4	53
A41016440A0	16	1	A9109202000	22	5	SM4850455SP	8	29
A4102535000	16	9	A9110335000	22	7	SM5030555SC	20	13
A4103535000	16	4	A9116335000	22	8	SM5030655SN	12	28
A4105776000A	16	12	A91175030A0	22	11	SM5030655SN	18	37
A4106535000	16	5	A9121503000A	22	2	SM5030855SN	16	20
A41075020A0	16	10	A91216230A0	22	1	SM5030855SN	18	36
A4108535000	16	16	A915062300A	22	14	SM5032555SE	4	57
A41215240A0	16	23	A915062300B	22	15	SM5040655SN	4	56
A4123335000	16	26	A9196524000	4	58	SM5040655SN	18	34
A4124335000	16	28	A9196524000	18	38	SM5040855SN	2	50
A4125524000	16	33	B3126352000	18	19	SM5040855SN	4	50
A4130524000	16	18	EA9500B0200	20	24	SM5040855SN	8	23
A4131524000	16	19	HX00150000B	20	15	SM5041055SN	18	35
A4132524000	16	35	MHA100B1100	8	33	SM5043755SC	2	6
A4133524000	16	36	MHA100B1100	22	12	SM5051255SN	2	63
A4136524000	16	21	MHA100B1400	22	13	SM5051255SN	4	63
A4139655000	16	32	PS0200202KH	18	10	SM6051002TP	16	6
A4142335000	16	3	PS0400222KH	6	3	SM8030402TP	16	13
A4145335000	16	25	RE0500000K0	8	25	SM8040302TP	10	6
A4147535000	16	31	RE0500000K0	10	27	SM8040402TP	8	31
A4149535000	16	24	RE0600000K0	8	7	SM8040402TP	10	25
A6003535000	20	26	RE0600000K0	12	36	SM8040402TP	12	45
A600653401D	20	17	RE0600000K0	16	17	SM8040402TP	16	34
A60066340A0	20	16	RE0600000K0	16	38	SM8040602TP	10	23
A60066340ABA	20	19	SL4030631SC	16	37	SM8040602TP	12	20
A6007134E00	20	22	SL4040831SF	2	21	SM8050402TP	8	19
A6007634000	20	11	SL5031031SN	2	16	SM8050602TP	8	15
A6010634000A	20	6	SL5040865SN	2	29	SM8050602TP	12	40
A6013534C00	20	21	SL5040865SN	20	25	SM8050842TP	2	43
A6013535000	20	20	SM1030601SP	16	11	SM8060602TP	8	2
A6013634HA0	22	16	SM4020351SC	2	13	SM9040700SP	16	2

NUMERICAL INDEX OF PARTS

PART NO	PAGE	REF NO.
SM9050850SP	12	44
SM9051400SN	12	26
ST4861051SN	10	7
ST5031051SN	18	4
ST5041051SN	2	51
ST5041051SN	4	51
WP0380516SD	18	8
WP0510516SD	18	24
WP0641600SD	10	26
WP0820516SP	8	8
WP0820516SP	12	34
WP8020516SP	16	15
WZ0430200KP	10	2