



Union Special[®]
INDUSTRIAL SEWING EQUIPMENT

STYLES

56100M

ADJUSTING INSTRUCTIONS AND
ILLUSTRATED PARTS LIST

CLASS 56100
ADVANCED SERIES,
BAG SEAMING MACHINES

CATALOG NO.
130M

FIFTH EDITION

10/24/03

CATALOG NO. 130M
ADJUSTING INSTRUCTIONS AND
ILLUSTRATED PARTS LIST FOR
CLASS 56100
ADVANCED SERIES
BAG SEAMING MACHINE

STYLE 56100M

Fourth Edition
© 1965, 2003

By

Union Special Corporation
Rights Reserved in All Countries
October, 2003

IDENTIFICATION OF MACHINES

Each UNION SPECIAL machine carries a Style number, which on this Class machine is stamped into the style plate affixed to the right front of machine.

The serial number is stamped in the casting at the right rear base of machine.

Reference to directions, such as right, left, front or rear, are given relative to the operator's position while seated at the machine. Operating direction of the handwheel is counterclockwise, as viewed from the right end of machine.

CLASS DESCRIPTION

Advanced high speed, single needle, flat bed machine. High throw, needle bearing needle bar drive, light weight presser bar and needle bar driving mechanism, enclosed automatic lubricating system, filtered oil return pumps for head and base, lateral looper travel. Maximum work space to right of needle bar, 8 1/4 inches (209.6mm).

MACHINE STYLE

56100M Typical application - For seaming medium and large size cotton, light and medium weight burlap bags. Stitch range 3 1/2 to 6; set at 3 1/2 S.P.I. Seam specification 401-SSa-1. Maximum recommended speed 6000 R.P.M. sewing at 3 1/2 to 5 S.P.I. and 6500 R.P.M. sewing at more than 5 S.P.I. Recommended speed for machines operating on a duty cycle of 50% or more is 10% less than maximum.

NEEDLES

Each needle has both a type and size number. The type number denotes the kind of shank, point, length, groove, finish and other details. The size number, stamped on the needle shank, denotes largest diameter of blade, measured midway between shank and eye. Collectively, type and size number represent the complete symbol, which is given on the label of all needles packaged and sold by UNION SPECIAL.

Recommended needle for Style 56100 M is Type 144 G. It has a round shank, round point, No. 2 bag length, double groove, spotted, short point, chromium plated, and is available in sizes - 054, 200/080, 230/090, 250/100.

Selection of proper needle size is determined by size of thread used. Thread should pass freely through needle eye in order to produce a good stitch formation.

To have needle orders promptly and accurately filled, an empty package, a sample needle, or the type and size number should be forwarded. Use description on label. A complete order would read: "1000 Needles, Type 144 G, Size 200/080".

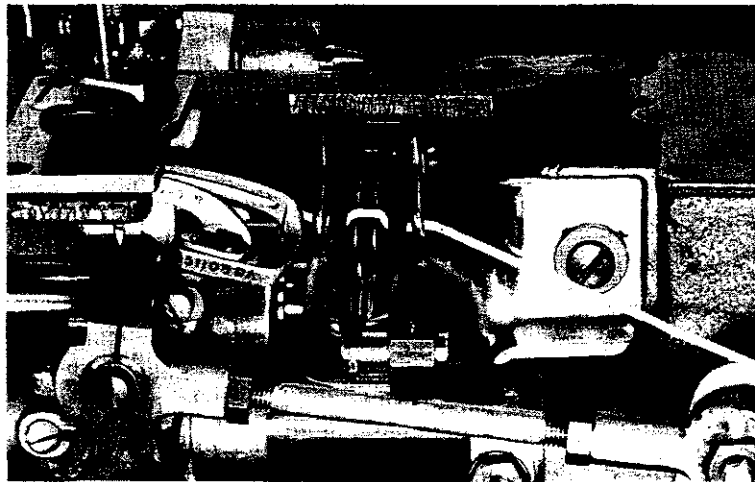
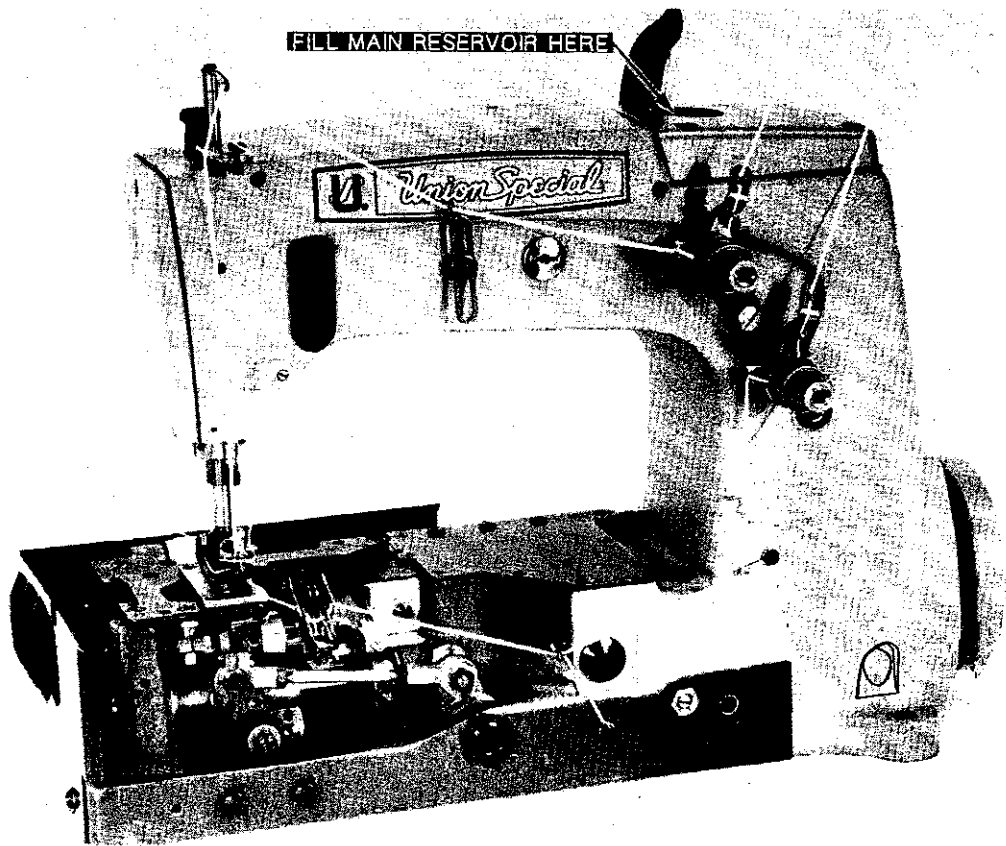


Fig. 1

THREADING AND OILING DIAGRAM FOR STYLE 56100 M

Thread machine as indicated above. The looper threading has been enlarged for clarity.

The oil has been drained from the machine before shipping and the reservoir must be filled before starting to operate. Maintain oil level in "OPERATE" position and add oil when needle is to the black line located to the left of the "OPERATE" zone marked "LOW". The machine is automatically lubricated and no oiling other than keeping the main reservoir filled is necessary. For further lubricating instructions refer to paragraph on "LUBRICATION".

SAFETY RULES



CAUTION

THIS SAFETY SYMBOL INDICATES YOUR PERSONAL SAFETY IS INVOLVED.

TO PREVENT PERSONAL INJURY:

- All power sources to the machine **MUST** be **TURND OFF** before threading, oiling, adjusting or replacing parts.
- Wear safety glasses.
- All shields and guards **MUST** be in position before operating machine.
- **DO NOT** tamper with safety shields, guards, etc., while machine is in operation.

LUBRICATION

Use a straight mineral oil with a Saybolt viscosity of 90 to 125 seconds at 100 degrees F. This is equivalent to UNION SPECIAL Specification No. 175.

Before operating, fill machine with oil at plug screw (A, Fig. 2). While filling machine with oil, check gauge (B). When proper oil level is reached, the oil level should appear in the center between the two lines on gauge (B). It is recommended to always check oil level before operating to be sure machine is filled between the lines. **CAUTION: DO NOT** over fill machine.

To drain oil, remove plug screw (C), or lower crank chamber cover on back of machine. Oil must be changed every 2000 operating hours to minimize wear.

On new machines, or a machine out of service for an extended period of time; lubricate machine as follows:

Remove head cover, clean out lint, then directly oil needle bar link and needle bar. Replace head cover and fill machine with oil to proper level. Run machine at low RPM to ensure proper lubrication of components preventing any damage which may occur from lack of oil distribution.

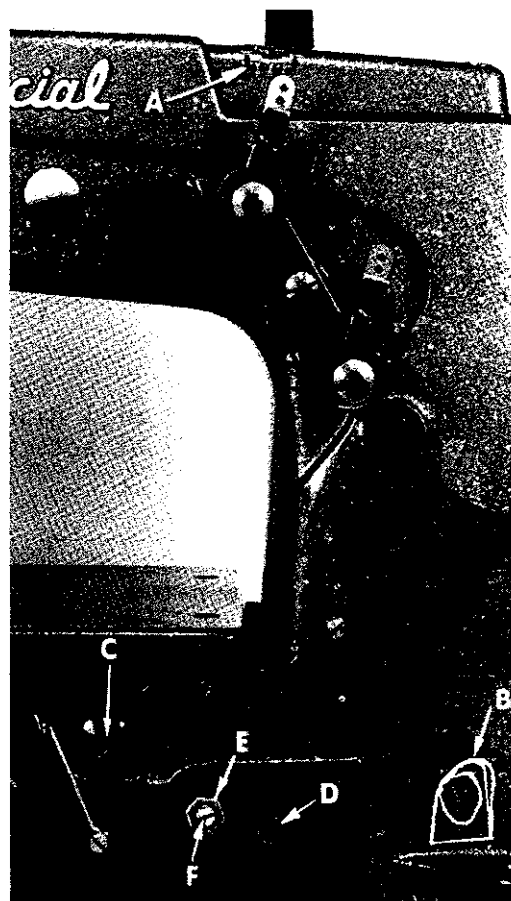


Fig. 2

OIL GAUGE CALIBRATION

To recalibrate oil gauge, follow instructions in sequence as listed:

- Place machine upright on a level surface.
- Remove plug screw (C, Fig. 2) and tip machine forward to drain all oil from reservoir.
- Remove lower crank chamber cover on back of machine.
- Fill reservoir until oil is even with bottom of knee press shaft bushing (D).
- Loosen locknut (E) and rotate calibrating screw (F) as required until gauge needle registers on the black line marked "LOW".
- Tighten locknut (E), then replace plug screw (C) and lower crank chamber cover.
- Fill machine with oil until gauge needle registers on black line marked "FULL".

SYNCHRONIZING LOOPER AND NEEDLE MOTIONS

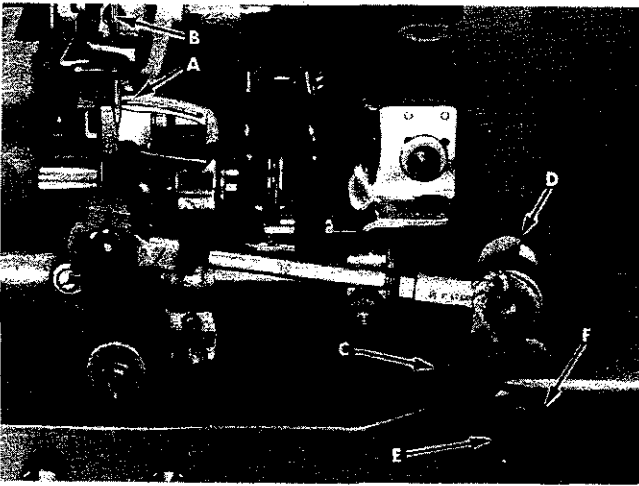


Fig. 3

Turn handwheel in the operating direction until the point of the looper (A, Fig. 3) moving to the left, is even with the left side of needle (B). Note the height of the eye of the needle with respect to the looper point (See Fig. 4). Turn the handwheel in the reverse direction until the point of the looper again moving to the left, is even with the left side of needle (See Fig. 4). If the height of the eye of the needle with respect to the looper point are the same, looper and needle motions are synchronized - a variation of .005 inch (.127mm) is allowable. If the distance from the eye of the needle to the point of the looper is greater when the handwheel is turned in the operating direction, the looper drive lever rocker shaft will have to be moved slightly towards the rear. Moving the shaft towards the front acts the reverse.

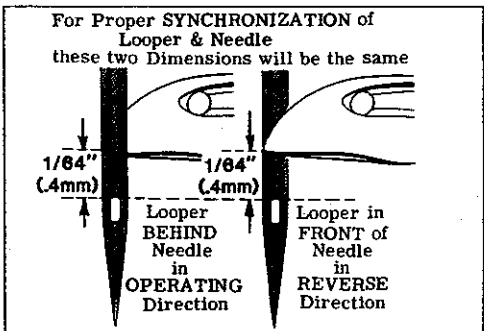


Fig. 4

NOTE: The 1/64 inch (.4mm) dimension shown in Fig. 4 is for final setting of needle bar height.

Adjust looper drive rocker lever shaft as follows:

Loosen screw (C, Fig. 3) in looper drive lever (D). A rod of .146-40 thd. or Union Special Screw No. 22870 A can be threaded into the looper drive lever rocker shaft through the center of thrust adjusting screw (E). Tap or pull slightly as required to position shaft for proper synchronization. Tighten screw (C) securely and remove rod or screw used to position shaft.

SYNCHRONIZING LOOPER AND NEEDLE MOTIONS (CONTINUED)

Loosen lock nut (F) and TORQUE thrust adjusting screw (E) to 6 in. lbs. (7cm/kg); re-tighten lock nut (F) securely.

With the looper at extreme right end of travel, check location of the right looper connecting rod bearing using gauge No. 21227 CX. Remove nut (A, Fig. 5) and place hole of gauge over threaded stud. The left end of gauge should locate against the RIGHT side of looper rocker cone (B). If adjustment is necessary, loosen clamp screw (C) and reposition looper drive lever (D) as required, then tighten screw (C).

If gauge is not available, check setting with a scale. Distance between the centerline of rocker cone and centerline of looper drive lever stud should be 4 1/16 inch (103.2mm) as shown in Fig. 5; when looper is at its extreme right end of travel.

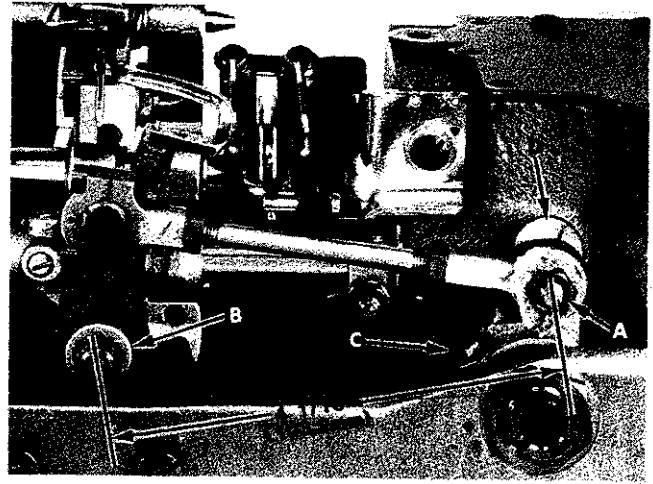


Fig. 5

LOOPER AND LOOPER NEEDLE GUARD SETTINGS

Insert a new needle, type and size specified. Looper gauge is 5/32 inch (4.0mm) which is the distance from point of looper (A, Fig. 6) to centerline of needle (B) when looper is at extreme right end of its travel. Looper gauge No. 21225-5/32 (C) is available for this setting. Adjustment can be made by loosening nut (D), (it has a left hand thread) and nut (E); turn connecting rod (F) as required to attain specified dimension. Hold connecting rod in position and tighten nut (E); then nut (D). NOTE: Be sure that the left ball joint is in a vertical position and does not bind after adjustment.

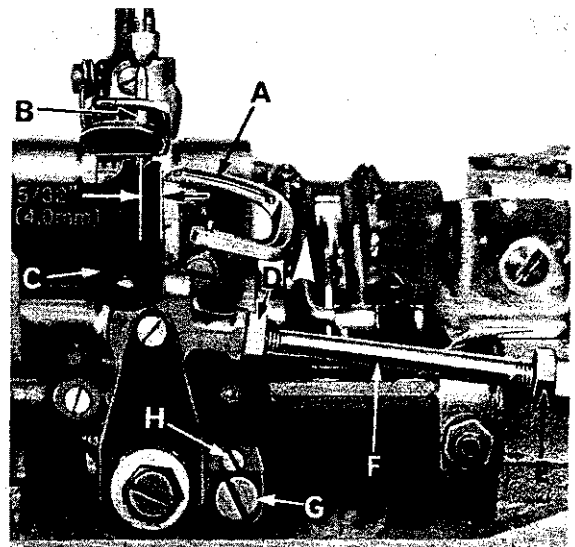


Fig. 6

While turning handwheel in operating direction and the looper (A, Fig. 7) moves to the left, its point should be set to brush but not pick at rear of needle (B). Adjustment can be made by loosening screw (G, Fig. 6), turn stop screw (H) clockwise to move looper towards the rear, counterclockwise acts the reverse. It is suggested to hold looper towards the front while making this adjustment. Tighten screw (G) after adjustment has been made and recheck movement of looper.

Looper needle guard (attached to looper) should be set to barely contact the front of needle without deflecting as looper moves to left.

NEEDLE BAR HEIGHT

Turn handwheel to position point of looper flush with the left side of needle.



Fig. 7

NEEDLE BAR (CONTINUED)

Height of needle bar (A, Fig. 8) is correct when the top of the eye of needle (B) is $\frac{1}{64}$ inch (.4mm) below the underside of looper as shown in Fig. 4. Adjustment can be made by loosening screw (C, Fig. 8), move needle bar (A) up or down as required, retighten screw.

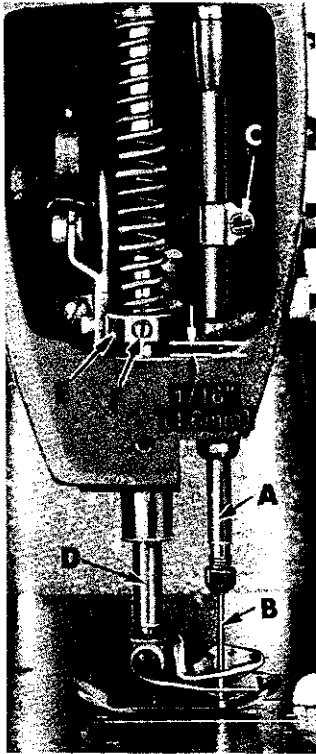


Fig. 8

FEED DOG SETTINGS

Feed dog (A, Fig. 9) should be centered in throat plate (B) with equal clearance on all sides and ends with feed travel set to desired stitch length. At highest point of travel, tips of feed dog teeth should extend the depth of a tooth or approximately $\frac{3}{64}$ inch (1.2mm) above throat plate and parallel to same. Screw (C) should be set to support feed dog after screw (D) has been loosened which secures feed dog in position.

Parallel adjustment can be made by loosening nut (A, Fig. 10) and turn screw (B) clockwise to lower front of feed dog, counterclockwise acts the reverse. When properly set, retighten nut (A).

Right to left adjustment can be made by loosening screws (A, Fig. 11) and slightly move feed rocker (B) on feed rocker shaft (C) as required, then retighten screws. Check to ensure that feed rocker arm (D) does not bind after adjustment.

Forward or rearward centering of feed dog can be accomplished by loosening nut (E, Fig. 11), move feed rocker (B) as required and retighten nut.

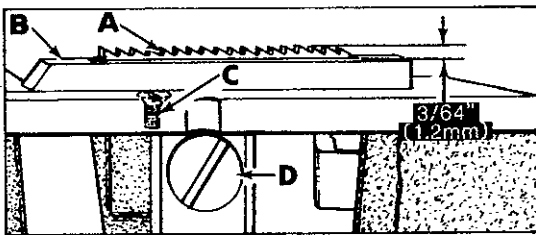


Fig. 9

CHANGING STITCH LENGTH

Set the stitch to required length. This is accomplished by loosening lock nut (F, Fig. 11) $\frac{1}{2}$ turn, (it has a left hand thread) on the end of the stitch regulating stud and turning stitch adjusting screw (G) located under the left end of the cloth plate in the head of the mainshaft (H), which is marked with "L" and "S". Turning the screw in a clockwise direction shortens the stitch (moves stitch regulating stud toward the "S") and turning it in a counterclockwise direction lengthens the stitch (moves stitch regulator stud toward the "L"). Retighten the lock nut securely. To prevent destructive damage to the feed drive bearing, key screw (J) must engage the "U" shaped key slot in ferrule (K).

The feed rocker assembly may require lubrication and repair after years of operation. This can be accomplished as follows: Loosen nut (E, Fig. 11) and remove nut (F). Remove feed rocker arm (D) from machine by rocking slightly. Loosen screws (A) and remove stop collar on right end of shaft (C). Shaft can now be withdrawn. Loosen Allen screw (L) and remove shaft (M). Now repack bearings.

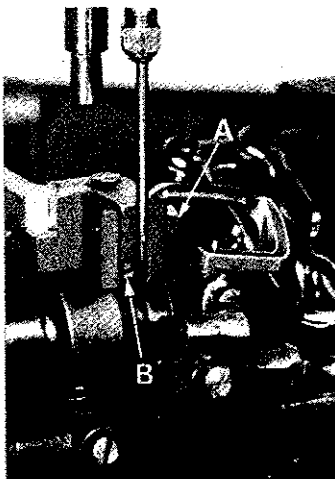


Fig. 10

CHANGING STITCH LENGTH (CONTINUED)

When packing bearings, parts must be clean and grease should be applied directly from the tube to avoid contamination. Tube of grease can be supplied under part No. 28604 P. Greased bearings are located at (N, P, Fig. 11). If -crease sealed bearings are replaced, they should be pressed in flush with the casting. To assemble, start tapered end of shafts first, twisting slightly when entering the grease seals to prevent damage. Check for proper adjustment of feed dog as described under the "Feed Dog Settings". Also check to see that there is no binding at any point.

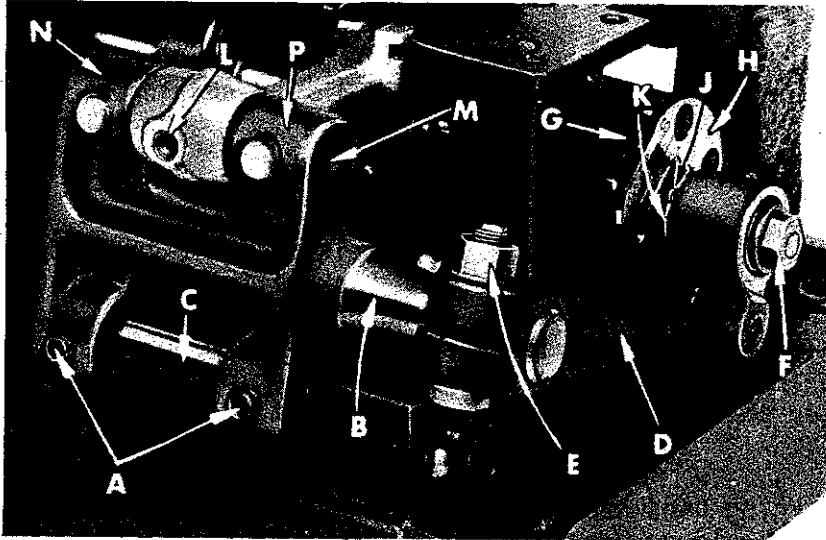


Fig. 11

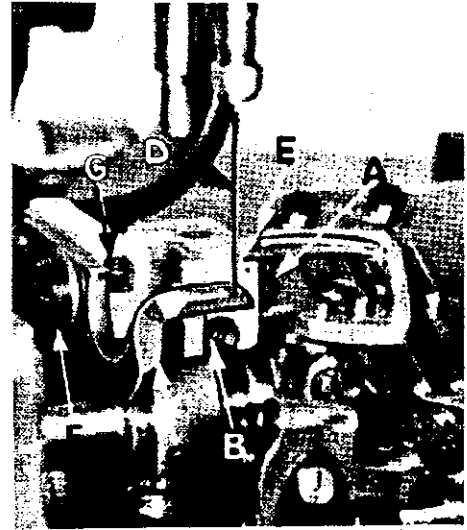


Fig. 12

REAR NEEDLE GUARD

At extreme forward end of travel, rear needle guard (C, Fig. 10) must be set horizontally not to contact rear of needle (D) with a maximum clearance of .005 inch (.127mm). Guard should be set as low as possible, yet have its vertical face approach approximately 3/64 inch (1.2mm) of needle point until point of looper (E), moving to the left, is even with the needle. To move needle guard forward or backward, loosen screw (F), move needle guard as required, and retighten screw. To raise or lower needle guard, loosen screw (F), and turn screw (G) clockwise to lower needle guard or counterclockwise to raise it. Retighten screw (F) after guard is properly set.

NOTE: Any change in stitch length will require a change in rear needle guard setting.

THREADING

Draw looper and needle threads into the machine and start operating on a piece of fabric. Refer to threading diagram (Fig. 1) for manner of threading this machine.

LOOPER THREAD CAST-OFF WIRE

Looper thread cast-off wire (A, Fig. 13) located on the take-up shield (B) controls the amount of slack thread in the system and can be moved to any position. It should be set laterally so that it is midway between the two discs of take-up (C) and the tip parallel with the discs.

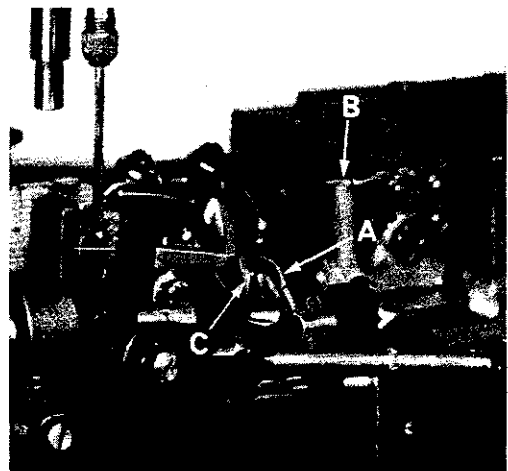


Fig. 13

LOOPER THREAD CAST-OFF WIRE (CONTINUED)

It is usually set toward the take-up to almost the limit of its slot so that it barely clears the highest point of the take-up. The height and lateral adjustment of the retainer affects the control of looper thread as looper moves to the left. Ordinarily it will be set in approximately a horizontal position. More looper thread is given to the stitch when the retainer is raised and set towards the take-up. However, if the retainer is raised too high, the looper thread triangle may be wiped under the blade of the looper, causing traingle skips or pulled down stitches. This can be checked by observing the action of the looper thread as the looper moves to the left.

THREAD TENSIONS

Tension on the needle thread should be only sufficient to produce uniform stitches on the under surface of the fabric. Tension on the looper thread should be just sufficient to steady the thread.

PRESSER BAR HEIGHT

Height of presser bar (D, Fig. 8) is set correctly if it is possible to remove the presser foot when the foot lifter lever, located at the back of the machine and extending above the upper crank chamber cover is fully actuated (pulled to the right). There should be approximately 1/16 inch (1.6mm) clearance between lower surface of the Presser bar connection and guide (E) and bottom surface of head opening in the bed when foot lifter lever is released and presser foot lying flat on the throat plate with feed dog below throat plate.

Adjustment can be made by turning handwheel to position needle bar at bottom of stroke. Loosen screw (F) and while holding presser foot down on throat plate, position presser bar connection and guide as required to attain specified clearance and retighten screw.

PRESSER FOOT PRESSURE

Regulate the presser spring regulating screw (A, Fig. 14) so that it exerts only enough pressure on the presser foot to feed the work uniformly when a slight tension is placed on the fabric. Turning it clockwise increases the pressure, counterclockwise acts the reverse.

SETTING NEEDLE THREAD GUIDE AND FRAME EYELET

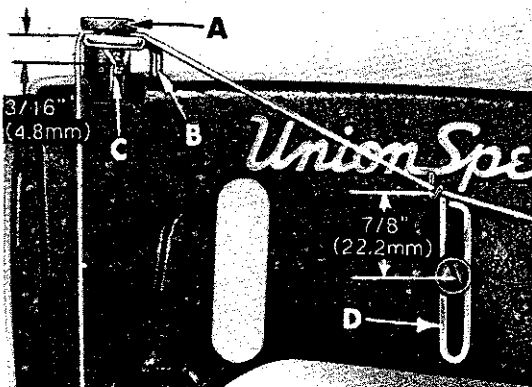


Fig. 14

Turn handwheel in operating direction until the needle bar reaches its lowest position. Set needle thread take-up wire (B, Fig. 14) so that its thread contact surface is approximately 3/16 inch (4.8mm) above the center of the needle bar thread eyelet (C). Lower this setting for a smaller needle thread loop, raise for a larger loop. Set needle thread frame eyelet (D) so that it is approximately 7/8 inch (22.2mm) above centerline of its attaching screw (Fig. 14).

TORQUE REQUIREMENTS

Torque specifications given in this catalog are measured in inch-pounds or centimeter/kilograms. All straps and eccentrics must be tightened to 19-21 in. lbs. (22-24cm/kg) unless otherwise noted.

TORQUE REQUIREMENTS (CONTINUED)

All nuts, bolts, screws, etc., without torque specifications must be secured as tightly as possible, unless otherwise noted. Special torque specifications of connecting rods, links, screws, etc., are shown on part illustrations.

SPECIAL INSTRUCTIONS

NEEDLE LEVER

When adjusting needle lever or replacing related parts, follow instructions in sequence as listed:

1. Install "O" rings (A, Fig. 15) onto needle lever stud (B) and thrust collar (C).
2. With needle lever (D) in machine and positioned properly; insert stud (B) through hole in needle lever until its shoulder contacts the needle lever and the word "UP" on stud is in the upright position. While making sure no binding exists in the needle bar link, secure stud (B) with the front set screw in top of machine bed.
3. Install temper load ring (E) and compression cups (F) onto stud (B), then push ring and cups through opening in machine bed.
4. Install thrust collar (C) onto stud (B) being careful not to damage "O" ring. Compress components together by tightening screw (G) until washer (H) bottoms against stud (B). Secure stud (B) in position using the rear set screw in top of bed.
5. To check temper load ring for proper compression, remove screw (G) from stud (B) and loosen rear set screw in top of bed. Thrust collar (C) should spring out .003 - .007 inch (.08 - .18mm). Compress load ring in reverse order, then tighten rear set screw.
6. With indented "UP" on stud (B) in upright position, install bearing oiler (J) so its hook sets in oil supply hole (K) of stud. When hook and stud are secured in their proper positions, the proper amount of oil will be channeled to stud for lubricating needle lever (D).

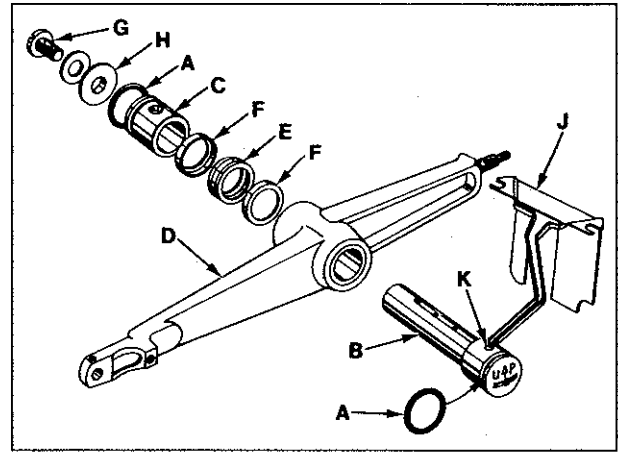


Fig. 15

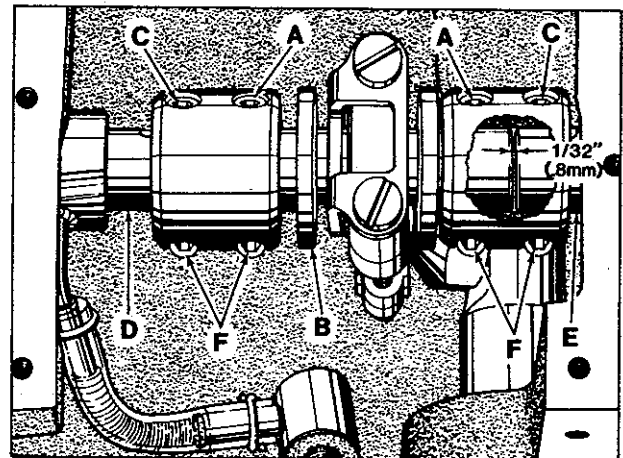


Fig. 16

ALIGNING MAINSHAFT TO CRANKSHAFT

As viewed looking down from rear of machine, spot screws (A, Fig. 16) in the couplings must align with the spots in the looper drive crank (B) and set screws (C) must align with the flats on crankshaft (D) and mainshaft (E).

ALIGNING MAINSHAFT TO CRANKSHAFT (CONTINUED)

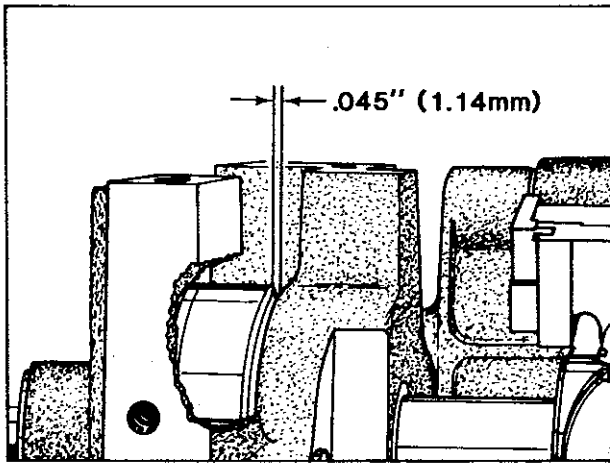


Fig. 17

Mainshaft must be positioned laterally with .045 inch (1.14mm) clearance between the right side of its head and the bed .045" (1.14mm) casting as shown in Fig. 17.

Looper drive crank (B, Fig. 16) must be positioned laterally with 1/32 inch (.8mm) clearance between it and mainshaft (E) as shown in Fig. 16. Once these settings are made, it is very important that the coplings are tightened in the following sequence for best performance.

Tighten spot screws (A) temporarily, to the looper drive crank. Tighten set screws (C) temporarily, to the crankshaft and mainshaft. Torque screws (F) to 19 - 21 in. lbs. (22 - 24 cm/kg). Loosen spot screws (A) and set screws (C). Re-torque screws (F) to 19 - 21 in. lbs. (22 - 24 cm/kg), then, torque screws (A and C) to 19 - 21 in. lbs. (22 - 24 cm/kg).

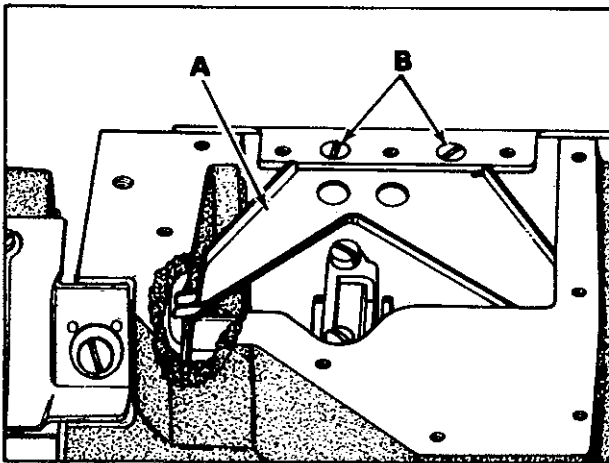


Fig. 18

The oil drip plate (A, Fig.18) located in the oil reservoir should be positioned with its tip in the recessed cut out in the bed casting, as far to the left as possible without touching. It has elongated mounting holes and can be adjusted by loosening (2) screws (B) in top of the oil reservoir back cover to position as required, retighten screws.

Before this machine left the factory it was adjusted and inspected to give you the utmost satisfaction and durability at all times. If, however, the machine has been readjusted and is not sewing properly, see the chart below for suggestions which may prove beneficial to you.

SKIPPED STITCHES

Condition	Causes	Cures
Needle loop too small	Frame needle thread guide set too low	Raise frame needle thread guide slightly.
	Needle thread stretched at bottom of stroke, loop not formed till stretch relieved	Lower frame thread eyelet and/or reduce needle tension
	Needle thread creased because it is too tight and needle is hot	Use oversize ball eye needle, lower frame needle eyelet, reduce tension
	Needle thread pinched by needle guard, collapsing needle loop	Drop needle guard slightly
	Thread twisting around needle	Keep needle loop as small as possible, keep needle thread tension to a minimum. Use a left twist thread
	Needle thread sticking in needle grooves, due to heat	Use lubricant on thread
	Needle does not rise enough to form needle loop properly	Increase looper gauge 1/64 to 1/32 inch
Looper misses needle loop as presser foot is coming off a seam	Material is not held down in front of seam and is flagging	See if presser bar is sticking
	Needle deflecting towards operator	Use sharp point needle
Needle loop formed properly but brushed out of the way by looper	Needle bar set too high	Lower needle bar slightly
Looper misses needle loop when operator is trying to match seams or ends	Needle deflecting toward operator who may be holding back on material while matching seams or ends of garment	Do not hold back excessively on material. Properly adjust feed and maintain a proper feeding pressure on foot so operator does not hold back
Needle misses triangle on looper thread side	Looper thread too loose, not making a good triangle	Increase looper thread tension
	Needle being deflected to the rear by burr on needle point or due to operator pulling on material, or needle glancing off when coming on a seam	Do not pull material at the back. Use a sharp needle to stop needle from glancing off seam. Check needle for burr

NOTE: More detailed information concerning the double locked stitch (stitch type 401) is available under "Stitch Formation, Type 401".

ORDERING REPAIR PARTS

ILLUSTRATIONS

This catalog has been arranged to simplify ordering repair parts. Exploded views of various sections of the mechanism are shown so that the parts may be seen in their actual position in the machine. On the page opposite the illustration will be found a listing of the parts with their part numbers, descriptions and the number of pieces required in the particular view being shown.

Numbers in the first column are reference numbers only, and merely indicate the position of that part in the illustration. Reference numbers should never be used in ordering parts. Always use the part number listed in the second column.

Component parts of sub-assemblies which can be furnished for repairs are indicated by indenting their descriptions under the description of the main sub-assembly. Example:

48	29105AK	Crank Assembly, looper driving lever	1
49	22587K	Screw, bearing cap ,(upper)	2
50	56343C	Guide, ball joint	1
51	56343E	Splasher, oil	1
52	22559A	Screw, bearingcap (lower)	2

It will be noted in the above example that the eccentric, ball stud, and bearing are not listed. The reason is that replacement of these parts individually is not recommended, so the complete sub-assembly should be ordered.

At the back of the book will be found a numerical index of all the parts shown in this book. This will facilitate locating the illustration and description when only the part number is known.

IDENTIFYING PARTS

Where the construction permits, each part is stamped with its part number. On some of the smaller parts, and on those where construction does not permit, an identification letter is stamped in to distinguish the part from similar ones.

Part numbers represent the same part, regardless of catalog in which they appear.

IMPORTANT! ON ALL ORDERS, PLEASE INCLUDE PART NAME AND STYLE OF MACHINE FOR WHICH PART IS ORDERED.

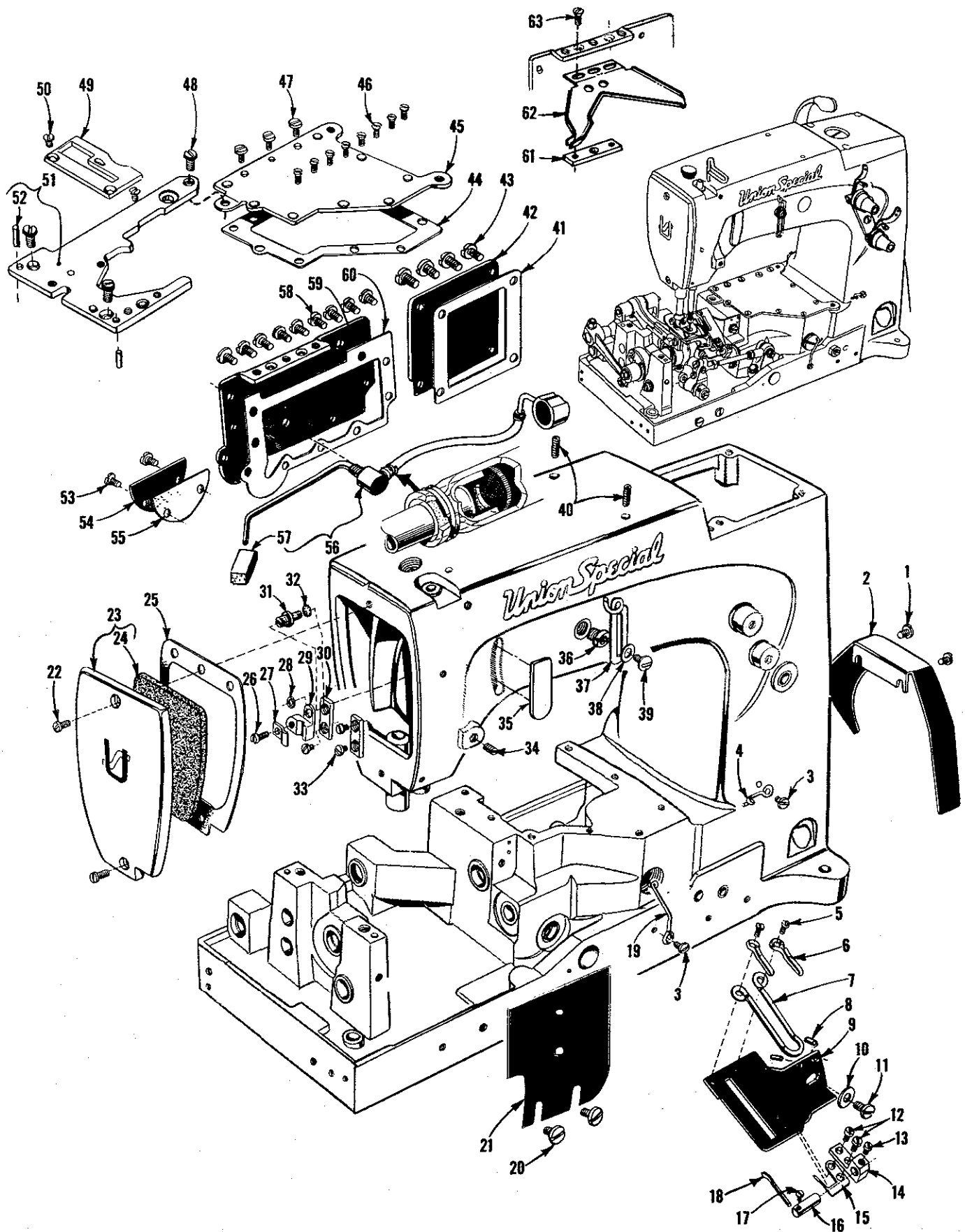
USE GENUINE REPAIR PARTS

Success in the operation of these machines can be secured only with genuine UNION SPECIAL repair parts as furnished by the Union Special Corporation, its subsidiaries and authorized distributors. They are designed according to the most approved scientific principles, and are made with utmost precision. Maximum efficiency and durability are assured.

TERMS

Prices are net cash and subject to change without notice. All shipments are forwarded f.o.b. shipping point. Parcel Post shipments are insured unless otherwise directed. A charge is made to cover postage and insurance.

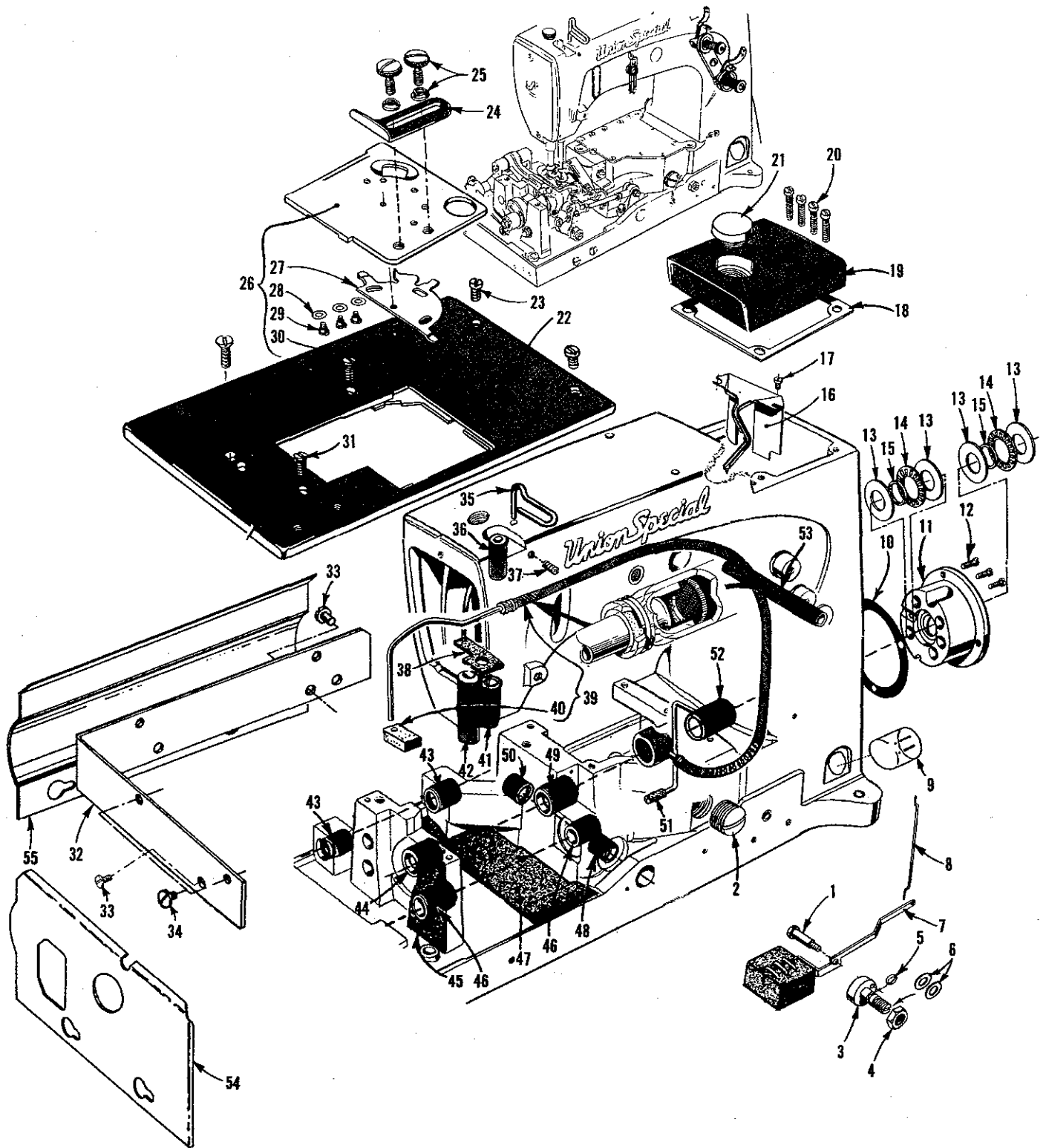
EXPLODED VIEWS
AND
DESCRIPTION OF PARTS



MAIN FRAME, CAST-OFF PLATE, MISCELLANEOUS COVERS

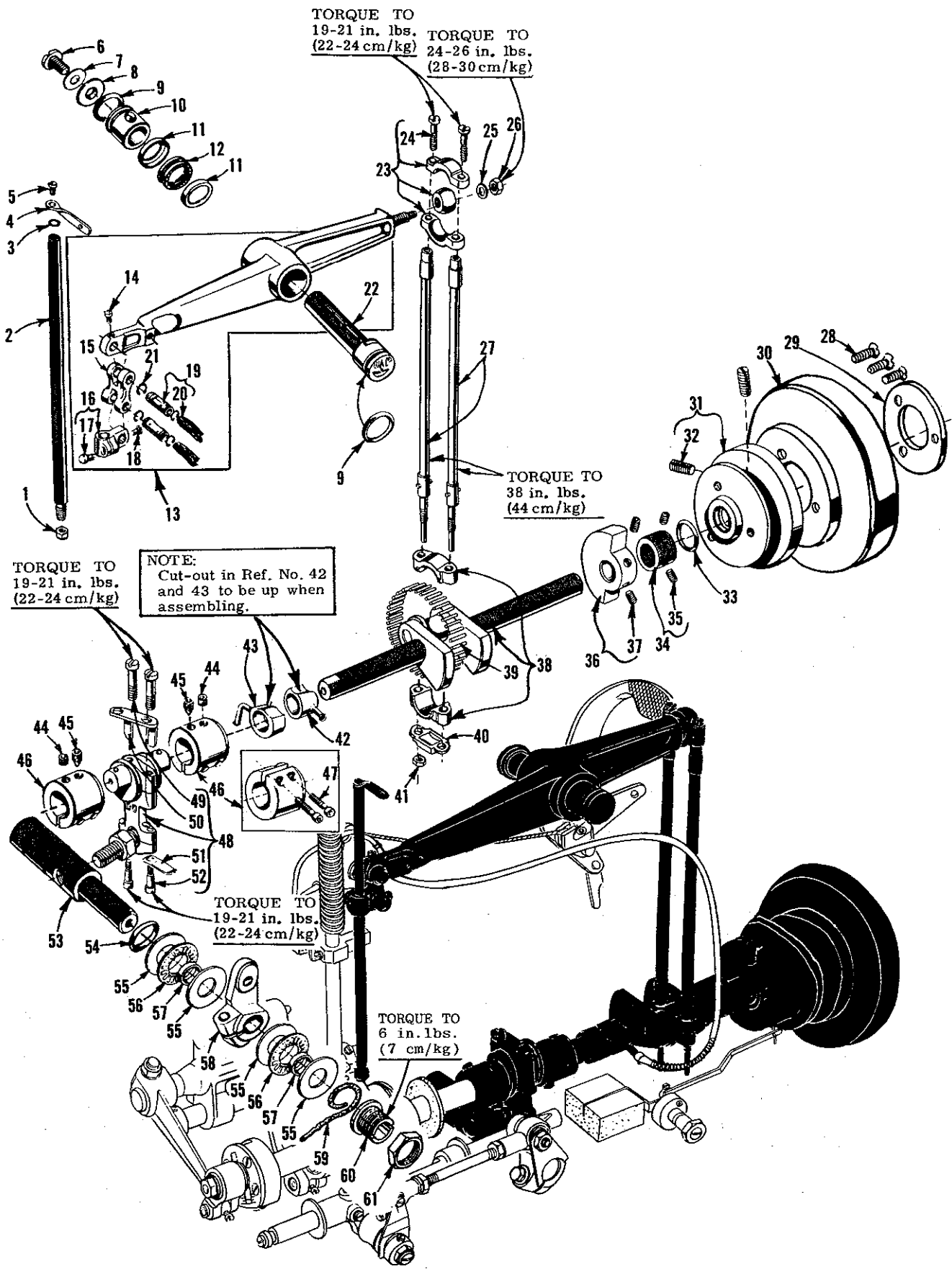
Ref. No.	Part No.	Description	Amt. Req.
1.	22829	Screw	2
2.	21375AV	Guard, belt	1
3.	98A	Screw	2
4.	52A	Eyelet, frame looper thread	1
5.	22593	Screw	2
6.	51158D	Eyelet, take-up	2
7.	51104F	Wire, cast-off	1
8.	50-216BLK	Pin, dowel	2
9.	51157H	Support, cast-off wire	1
10.	21657E	Washer	1
11.	22528	Screw	1
12.	J87J	Screw	2
13.	77	Screw	1
14.	51204C	Support, auxiliary cast-off	1
15.	51104H	Cast-off, auxiliary	1
16.	51204A	Support, cast-off wire	1
17.	22798A	Screw	1
18.	51204	Wire, cast-off	1
19.	52958B	Eyelet, frame looper thread	1
20.	25S	Screw	2
21.	51482A	Guard	1
22.	22569C	Screw	2
23.	56382	Cover, head	1
24.	56382A	Felt	1
25.	56382N	Gasket	1
26.	22585	Screw	1
27.	56393D	Clamp, head oil tube	1
28.	7947	Nut	1
29.	56393C	Block, head oil tube mounying	1
30.	35731A	Plate, presser bar connection guide	2
31.	51294R	Screw	1
32.	660-342	Lockwasher	1
33.	22513	Screw	3
34.	95	Screw, plug	1
35.	660-964	Gasket, needle lever eyelet	1
36.	22889A	Screw, adapter	1
37.	539	Eyelet, frame needle thread	1
38.	20	Washer	1
39.	22848	Screw	1
40.	22894E	Screw, needle lever thrust collar and stud	2
41.	56382E	Gasket	1
42.	56382D	Cover, lower crank chamber	1
43.	22548	Screw	4
44.	56382H	Gasket	1
45.	56382G	Cover, top oil reservoir	1
46.	22524	Screw	8
47.	22585A	Screw	3
*48.	22839	Screw, throat plate support	3
49.	51124D	Throat Plate	1
50.	87	Screw	2
51.	56180B	Support, throat plate	1
52.	51280J	Pin, dowel	2
53.	22570A	Screw	2
54.	56382J	Cover, looper drive shaft	1
55.	56382	Gasket	1
56.	59493A	Pump Assembly, oil, base	1
57.	666-214	Felt	1
58.	22848	Screw	9
59.	56382AA	Cover, back, oil reservoir	1
60.	56382L	Gasket	1
61.	56382Y	Block, clamping	1
62.	56382AB	Plate, oil drip	1
63.	22524	Screw	2

* For old Style 56100A, use countersunk head screw No. 80.



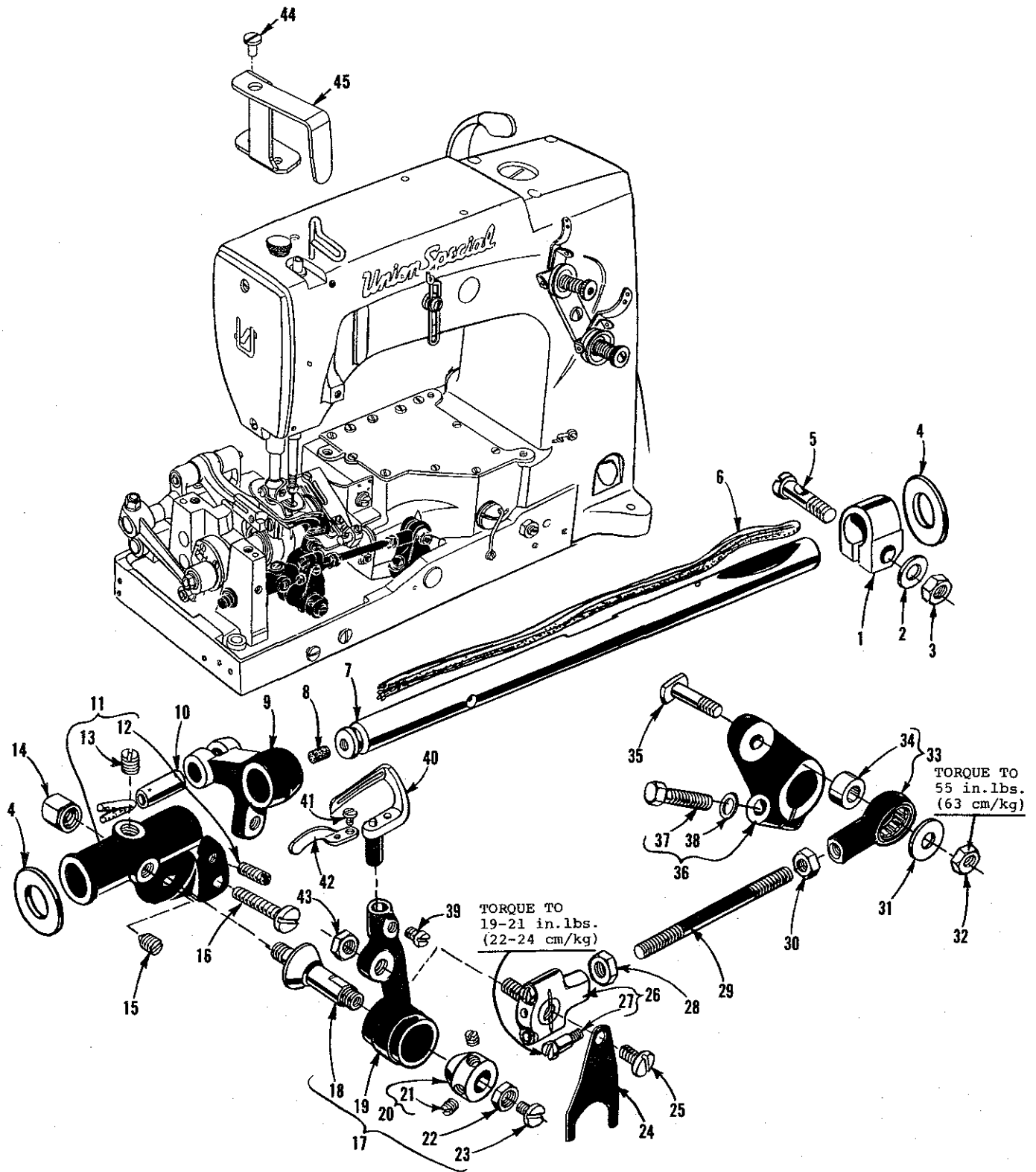
MAIN FRAME, BUSHINGS, OIL GAUGE AND MISCELLANEOUS OILING PARTS

Ref. No.	Part No.	Description	Amt. Req.
1.	22793	Screw	1
2.	22539R	Screw, plug	1
3.	56394A	Shaft, oil gauge adjusting	1
4.	11635B	Nut	1
5.	660-221	"O" Ring	1
6.	61256G	Washer	2
7.	56394C	Float Assembly, oil gauge	1
8.	56394B	Rod, oil gauge connecting	1
9.	51-902BLK	Gauge, oil sight	1
10.	56390E	Gasket	1
11.	57890B	Housing, crankshaft bushing, includes bushing	1
12.	22569B	Screw	3
13.	56390H	Washer, thrust	4
14.	660-665	Bearing, needle, thrust	2
15.	56390J	Ring, pilot	2
16.	56382AC	Plate, oil and baffle	1
17.	90	Screw	2
18.	56382C	Gasket	1
19.	56382B	Cover, upper crank chamber	1
20.	22541C	Screw	4
21.	660-1002	Plug, oil filter	2
22.	56301	Cloth Plate	1
23.	22839C	Screw	2
24.	24X	Guide, edge	1
25.	25	Screw	2
26.	56381-219	Cover, cloth plate	1
27.	51281AC	Spring	1
28.	35772H	Washer, spring	3
29.	22760A	Screw	3
30.	22845B	Screw	1
31.	80	Screw	3
32.	G51382BA	Bracket, for shields	1
33.	22848	Screw	3
34.	99295	Screw	3
35.	56170	Wire, needle thread take-up	1
36.	51154E	Bushing, needle bar (upper)	1
37.	95	Screw	1
38.	56393W	Pad, felt	1
39.	56393T	Pump Assembly, oil, head	1
40.	56393L	Felt	1
41.	56154	Bushing, needle bar (lower)	1
42.	51257AA	Bushing, presser bar (lower)	1
43.	57836B	Bushing, feed rocker shaft	2
44.	56390	Bushing, mainshaft (left)	1
45.	666-259	Felt	1
46.	50-895BLK	Bushing, looper rocker shaft	2
47.	56193A	Felt, machine base (front)	1
48.	52942W	Bushing, looper drive lever shaft (front)	1
49.	56190	Bushing, mainshaft (intermediate)	1
50.	57842B	Bushing, looper drive lever shaft (rear)	1
51.	35897BV	Filter, oil intake	1
52.	56390G	Bushing, mainshaft (inner right)	1
53.	21657X	Bushing, tension release lever shaft	1
54.	G51381BA	Oil Shield, left	1
55.	G51381BD	Oil Shield, rear	1



CRANKSHAFT, NEEDLE LEVER AND LOOPER DRIVING PARTS

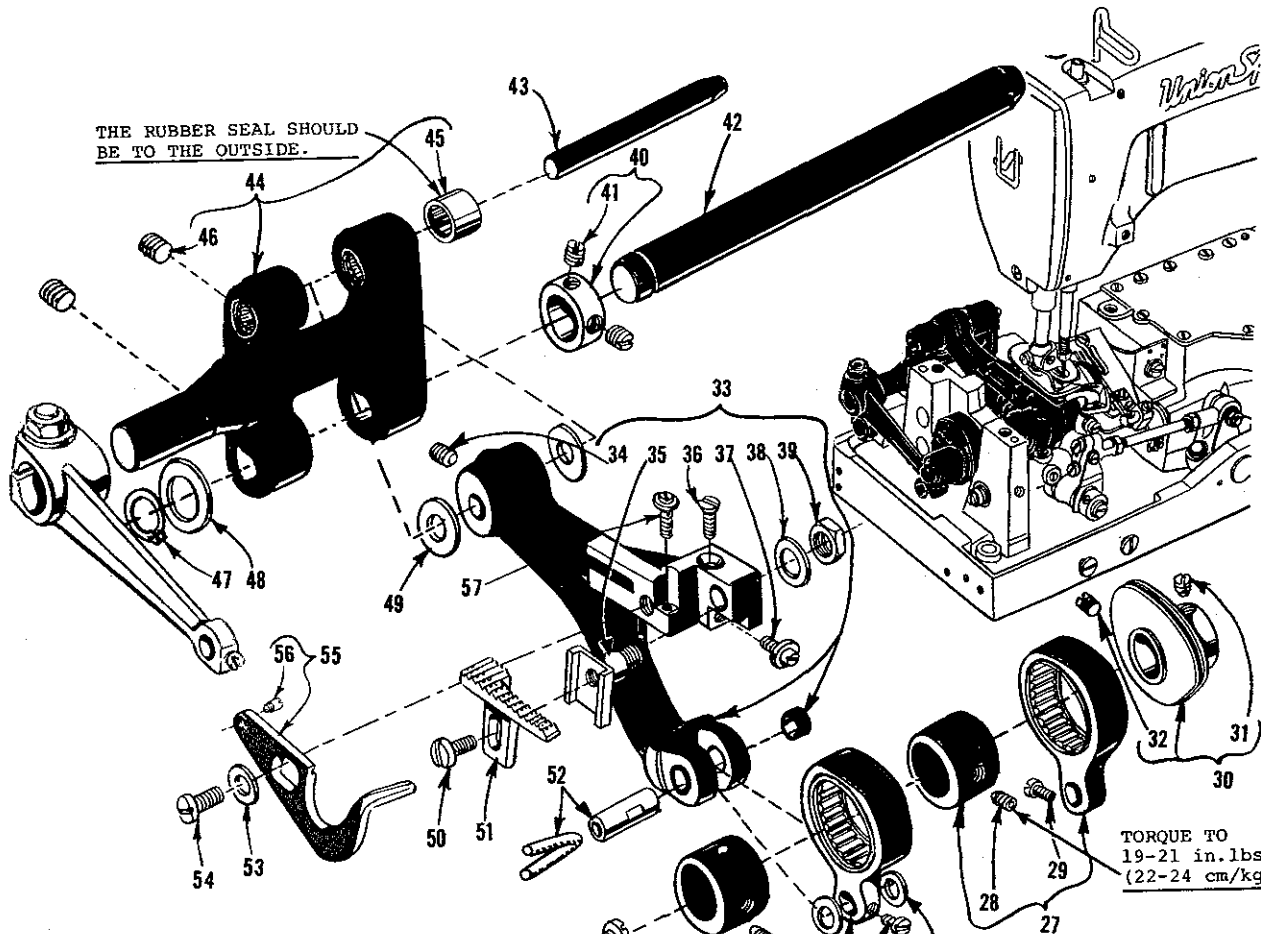
Ref. No.	Part No.	Description	Amt. Req.
1.	56	Nut	1
2.	51217C	Needle Bar	1
3.	27-435BLK	Washer, needle bar eyelet	1
4.	56358	Eyelet, needle bar thread	1
5.	22768	Screw	1
6.	22586R	Screw	1
7.	51250F	Gasket	1
8.	51250D	Washer	1
9.	660-625	"O" Ring	2
10.	56350E	Collar, needle lever thrust	1
11.	56350F	Cup, compression	2
12.	660-614	Ring, temper load	1
13.	29348AF	Lever Assembly, needle	1
14.	77	Screw	1
15.	56354D	Link, connecting	1
16.	51254K	Connection, needle bar	1
17.	22562A	Screw	1
18.	22564	Screw	1
19.	52336A	Pin, link	2
20.	WO3	Yarn	2
21.	660-215	Ring, retaining	4
22.	56350D	Stud, needle lever	1
23.	29066R	Ball Joint, needle lever (upper)	1
24.	22559G	Screw	2
25.	51216N	Washer	1
26.	51216P	Nut	1
27.	56316	Connecting Rod, needle lever	2
28.	22574	Screw	3
29.	61321L	Plate, retaining	1
30.	57821	Handwheel	1
31.	56321N	Pulley	1
32.	22894AB	Screw	2
33.	660-202	"O" Ring	1
34.	57847	Collar, thrust	1
35.	95	Screw	2
36.	51247	Counterweight	1
37.	22894J	Screw	2
38.	29476LN	Crankshaft Sub-Assembly, .990 inch (25.15mm) throw	1
39.	51216M625	Bearing, needle, .0625 inch (1.588mm) diameter	28
-	51216M626	Bearing, needle, .0626 inch (1.590mm) diameter	28
-	51216M627	Bearing, needle, .0627 inch (1.593mm) diameter	28
40.	56316C	Guide, connecting rod	1
41.	12934A	Nut	1
42.		Pump, oil, head (See Ref. No. 43 Page 19)	1
43.		Pump, oil, base (See Ref. No. 60 Page 17)	1
44.	22894C	Screw, set	2
45.	22894D	Screw, spot	2
46.	56343F	Coupling	2
47.	22653L8	Screw	2
48.	29105AK	Crank Assembly, looper driving lever	1
49.	22587K	Screw, bearing cap (upper)	2
50.	56343C	Guide, ball joint	1
51.	56343E	Splasher, oil	1
52.	22559A	Screw, bearing cap (lower)	2
53.	52942AA	Shaft, looper drive rocker	1
54.	660-202	"O" Ring	1
55.	56390H	Washer, thrust	4
56.	660-665	Bearing, needle thrust	2
57.	56390J	Ring, pilot	2
58.	56342E	Lever, looper drive, marked "D"	1
59.	CL21	Wick, oil	1
60.	52942AC	Screw, thrust synchronizing adjusting	1
61.	56342D	Nut	1



LOOPER ROCKER AND CONNECTING ROD PARTS

Ref. No.	Part No.	Description	Amt. Req.
1.	51244N	Collar, looper rocker shaft	1
2.	51216N	Washer	1
3.	18	Nut	1
4.	51244L	Washer, thrust	2
5.	55244G	Stud	1
6.	WO3	Yarn	as required
7.	57744	Shaft, looper rocker	1
8.	CO67E	Cork	1
9.	56344B	Arm, looper rocker shaft	1
10.	51236A	Pin, link	1
11.	56344C	Frame, looper rocker	1
12.	719	Screw, stop	1
13.	98	Screw, set	1
14.	51246	Nut	1
15.	96	Screw, spot	1
16.	22874	Screw, lock	1
17.	29192V	Rocker Assembly, looper	1
18.	51745	Stud, rocker cone	1
19.	56313	Rocker, looper, marked "S"	1
20.	15465F	Cone, looper rocker	1
21.	88	Screw	2
22.	258A	Nut, check	1
23.	22829	Screw	1
24.	56393J	Oiler, looper connecting rod ball joint (left)	1
25.	87U	Screw	1
26.	57841	Ball Joint, looper connecting rod (left)	1
27.	22729C	Screw	2
28.	269	Nut, left hand thread	1
29.	35741A	Connecting Rod, looper	1
30.	18	Nut, right hand thread	1
31.	20	Washer	1
32.	18	Nut	1
33.	29476LV	Bearing Assembly, looper connecting rod (right)	1
34.	56341F	Ferrule	1
35.	52942R	Stud, looper lever	1
36.	56342E	Lever, looper drive, marked "D"	1
37.	22882C	Screw	1
38.	51242M	Washer	1
39.	73	Screw, looper	1
40.	51108DA	Looper	1
41.	73A	Screw	1
42.	51110D	Guard, looper needle	1
43.	18	Nut	1
44.	22585A	Screw	2
45.	33795D	Needle Bar Guard	1

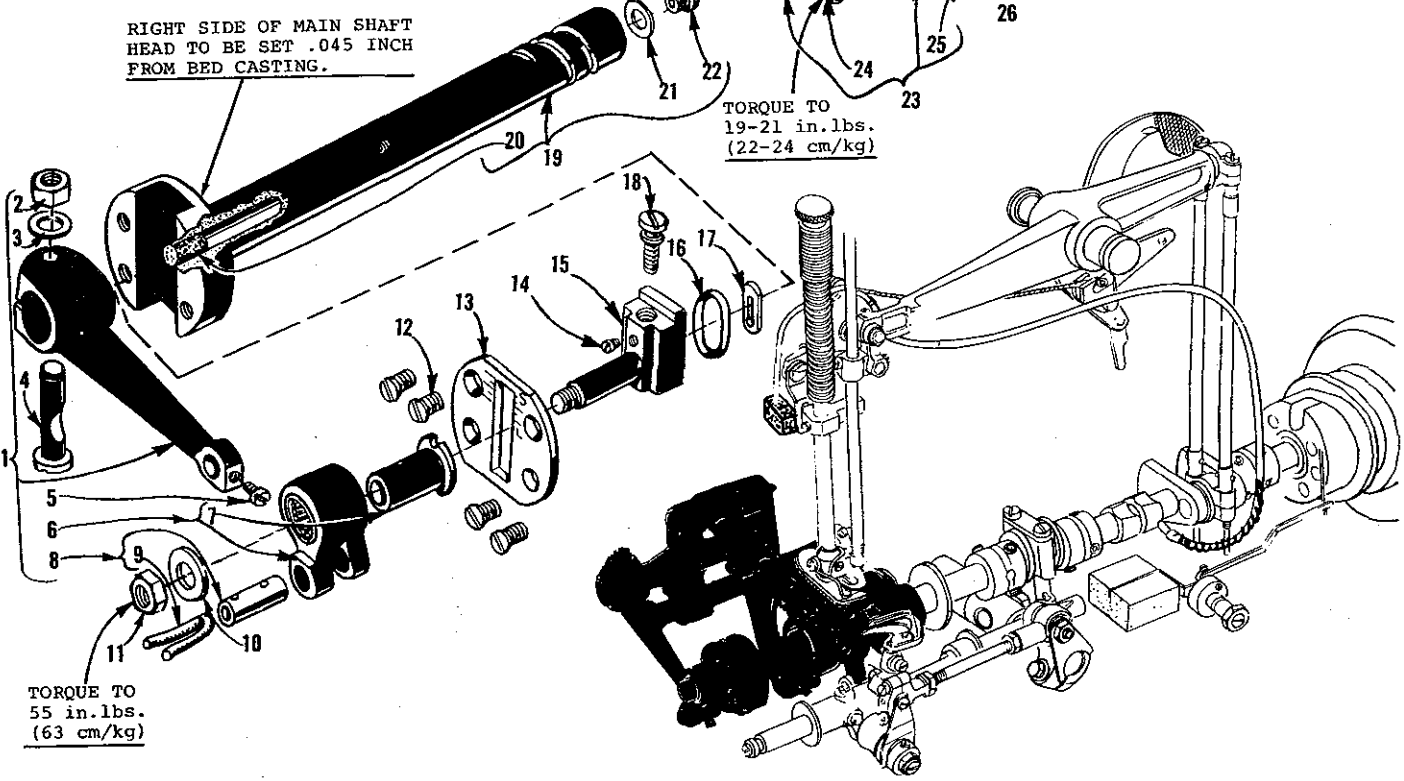
THE RUBBER SEAL SHOULD BE TO THE OUTSIDE.



TORQUE TO
19-21 in. lbs.
(22-24 cm/kg)

RIGHT SIDE OF MAIN SHAFT
HEAD TO BE SET .045 INCH
FROM BED CASTING.

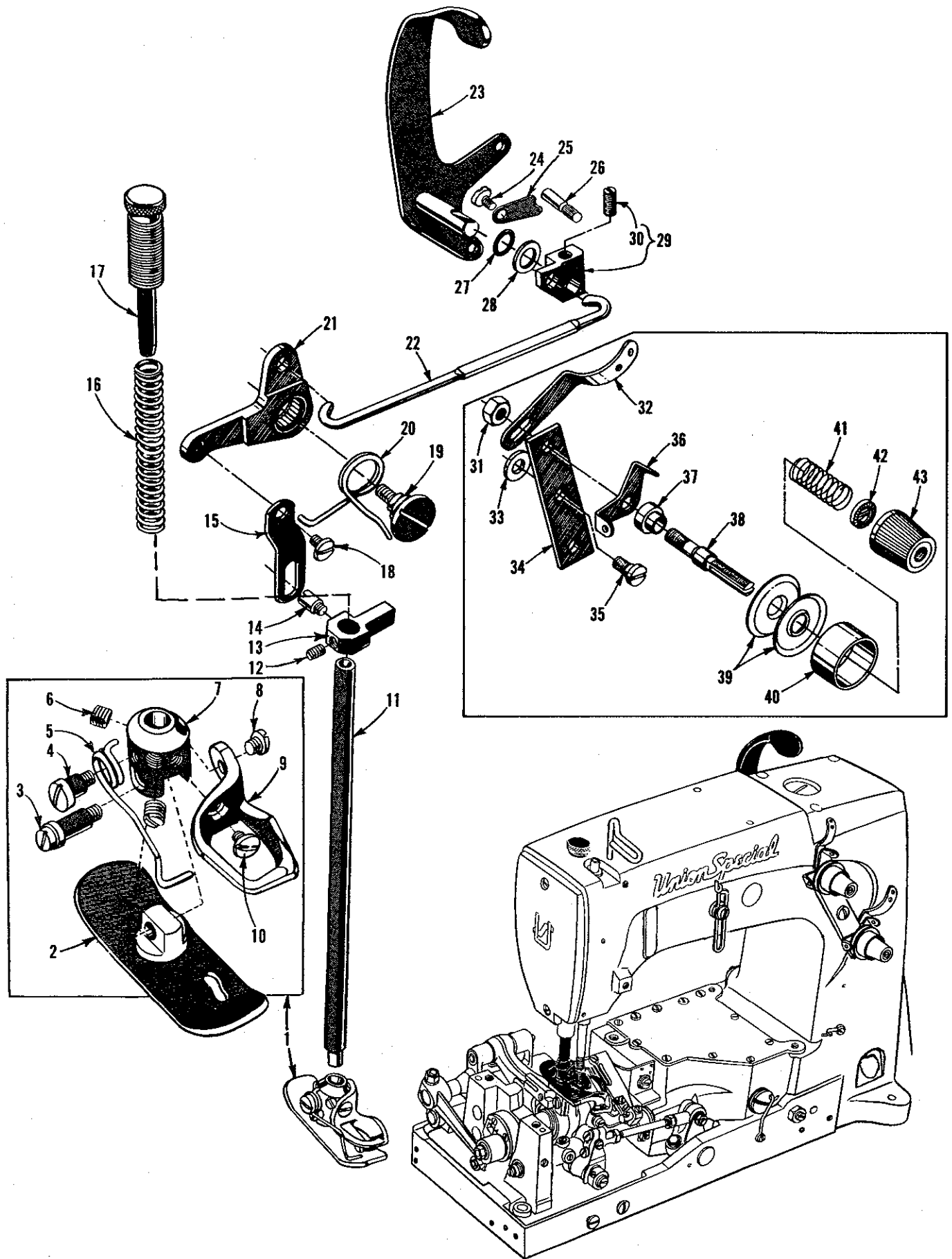
TORQUE TO
19-21 in. lbs.
(22-24 cm/kg)



TORQUE TO
55 in. lbs.
(63 cm/kg)

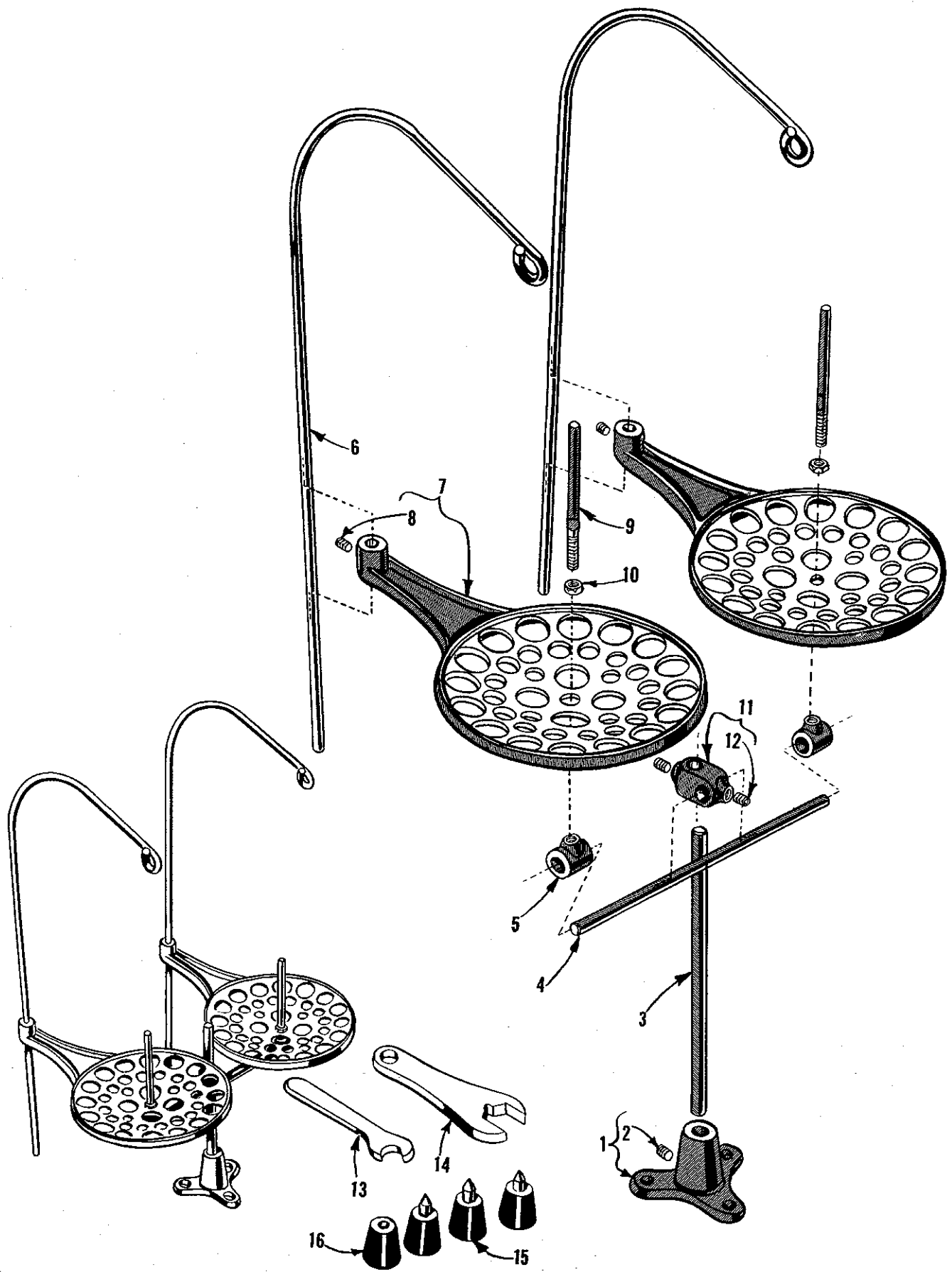
MAINSHAFT AND FEED DRIVING PARTS

Ref. No.	Part No.	Description	Amt. Req.
1.	29476MJ	Feed Rocker Arm and Feed Crank Link Sub-Assembly	1
2.	55235E	Nut	1
3.	6042A	Washer	1
4.	55235D	Stud, locking	1
5.	77	Screw	1
6.	56336B	Link, feed crank	1
7.	56336C	Ferrule, feed crank link	1
8.	51054	Pin, link	1
9.	660-149	Wick, oil	1
10.	21657E	Washer	1
11.	269	Nut, left thread	1
12.	22525A	Screw	4
13.	56322C	Plate, mainshaft head	1
14.	22798C	Screw	1
15.	56336	Stud, feed crank, marked "A"	1
16.	660-269B	Ring, quad	1
17.	56336D	Insert, feed crank stud	1
18.	22543C	Screw, stitch regulating	1
19.	56122A	Mainshaft	1
20.	51-173BLK	Plug, oil	1
21.	56322B	Gasket	1
22.	22891B	Screw	1
23.	29476NM140	Eccentric Assembly, feed lift	1
24.	22894AA	Screw	1
25.	77	Screw	1
26.	39543N	Washer, feed bar thrust	2
27.	29476NM096	Eccentric Assembly, looper avoid	1
28.	22894AA	Screw	1
29.	77	Screw	1
30.	56123	Take-up, looper thread	1
31.	22764C	Screw, spot	1
32.	22580D	Screw, set	1
33.	56334N	Feed Bar	1
34.	22651CB4	Screw	1
35.	56334L	Holder, feed dog	1
36.	22637P24	Screw, height adjusting	1
37.	22863C	Screw, holder adjusting	1
38.	6042A	Washer	1
39.	258A	Nut	1
40.	56335D	Collar, feed rocker shaft	1
41.	98	Screw	2
42.	56335L	Shaft, feed rocker	1
43.	56334B	Shaft, feed bar	1
44.	56335G	Rocker, feed	1
45.	660-359	Bearing, needle, with seal	2
46.	22651CD4	Screw	2
47.	660-438	Ring, retaining	1
48.	41391	Washer	1
49.	61341J	Washer, feed bar	2
50.	22528	Screw, feed dog	1
51.	51105G	Feed Dog, marked "RD"	1
52.	51236A	Pin, link	1
53.	61434G	Washer	1
54.	22875H	Screw	1
55.	56125	Guard, rear, needle	1
56.	22801	Screw	1
57.	22834A	Screw, height adjusting	1



PRESSER FOOT, LIFTER LEVER AND THREAD TENSION PARTS

Ref. No.	Part No.	Description	Amt. Req.
1.	43120	Presser Foot	1
2.	43130	Bottom, presser foot	1
3.	22897	Screw	1
4.	57WD	Screw	1
5.	15480C	Spring	1
6.	88	Screw	2
7.	43130A	Shank	1
8.	22561	Screw	1
9.	43130B	Guard, finger	1
10.	187A	Screw	1
11.	51257K	Bar, presser	1
12.	531	Screw	1
13.	51257M	Connection and Guide, presser bar	1
14.	402	Screw	1
15.	56383A	Link, lifter lever	1
16.	53787	Spring, presser	1
17.	56356	Regulator, presser spring	1
18.	22758C	Screw	1
19.	22557G	Screw	1
20.	56383D	Spring	1
21.	56383AA	Bell Crank, presser foot lifter lever	1
22.	56383AB	Connecting Rod, presser foot lifter lever	1
23.	51183B	Lever, presser foot lifter	1
24.	22758C	Screw	1
25.	51183C	Latch, lever	1
26.	50-703BLK	Pin, stop	1
27.	660-207	"O" Ring	1
28.	39552C	Washer	1
29.	53783N	Lever, internal, presser foot lifter	1
30.	22537	Screw	1
31.	43266	Nut	1
32.	51491C	Guide, lead-in	2
33.	80557	Washer, spacer	1
34.	52892	Support, tension post	1
35.	22872	Screw	1
36.	51192G	Eyelet, tension post	2
37.	51192B	Ferrule, tension post	2
38.	56392E	Post, tension	2
39.	109	Disc, tension	4
40.	56392F	Shield, thread tension spring	2
41.	51292F14	Spring, needle thread tension	1
	51292F2	Spring, looper thread tension	1
42.	39592AK	Ferrule, tension spring	2
43.	39592Z	Nut, tension	2



THREAD STAND AND ACCESSORIES

Ref. No.	Part No.	Description	Amt. Req.
1.	B21114A	Base, thread stand	1
2.	22651CD5	Screw	1
3.	21104B9	Rod, thread stand	1
4.	21104B11	Rod, thread stand	1
5.	21104E	Connection, spool support	2
6.	21113C	Wire, thread guide	2
7.	21130S	Support, cone	2
8.	22650CD4	Screw	1
9.	21104G	Pin, spool	2
10.	21104H	Nut, spool pin	2
11.	21104C	Connection, rod	1
12.	22650CE6	Screw	2
13.	21388	Wrench, 3/8 inch (9.5mm) open end	1
14.	116	Wrench, 9/32 inch (7.1mm) open end	1
15.	51295B	Isolator	3
16.	51295A	Isolator	1
-	660-457	Cover, dust (not shown)	1
-	28604R	Oil, 16 fl. oz. Spec. 175, (not shown)	1

NUMERICAL INDEX OF PARTS

<u>Part No.</u>	<u>Page No.</u>	<u>Part No.</u>	<u>Page No.</u>	<u>Part No.</u>	<u>Page No.</u>	<u>Part No.</u>	<u>Page No.</u>
109	27	22651CD4	25	35741A	23	51254K	21
116	29	22651CD5	29	35772H	19	51257AA	19
11635B	19	22653L8	21	35897BV	19	51257K	27
12934A	21	22729C	23	39543N	25	51257M	27
15465F	23	22758C	27	39552C	27	51280J	17
15480C	27	22760A	19	39592AK	27	51281AC	19
18	23	22764C	25	39592Z	27	51292F14	27
187A	27	22768	21	402	27	51292F2	27
20	17, 23	22793	19	41391	25	51294R	17
21104B11	29	22798A	17	43120	27	51295A	29
21104B9	29	22798C	25	43130	27	51295B	29
21104C	29	22801	25	43130A	27	51482A	17
21104E	29	22829	17, 23	43130B	27	51491C	27
21104G	29	22834A	25	43266	27	51745	23
21104H	29	22839	17	50-216BLK	17	52336A	21
21113C	29	22839C	19	50-703BLK	27	52892	27
21130S	29	22845B	19	50-895BLK	19	52942AA	21
21375AV	17	22848	17, 19	51-173BLK	25	52942AC	21
21388	29	22863C	25	51-902BLK	19	52942R	23
21657E	17, 25	22872	27	51054	25	52942W	19
21657X	19	22874	23	51104F	17	52958B	17
22513	17	22875H	25	51104H	17	52A	17
22524	17	22882C	23	51105G	25	531	27
22525A	25	22889A	17	51108DA	23	53783N	27
22528	17, 25	22891B	25	51110D	23	53787	27
22537	27	22894AA	25	51124D	17	539	17
22539R	19	22894AB	21	51154E	19	55235D	25
22541C	19	22894C	21	51157H	17	55235E	25
22543C	25	22894D	21	51158D	17	55244G	23
22548	17	22894E	17	51183B	27	56	21
22557G	27	22894J	21	51183C	27	56122A	25
22559A	21	22897	27	51192B	27	56123	25
22559G	21	24X	19	51192G	27	56125	25
22561	27	25	19	51204	17	56154	19
22562A	21	258A	23, 25	51204A	17	56170	19
22564	21	25S	17	51204C	17	56180B	17
22569B	19	269	23, 25	51216M625	21	56190	19
22569C	17	27-435BLK	21	51216M626	21	56193A	19
22570A	17	28604R	29	51216M627	21	56301	19
22574	21	29066R	21	51216N	21, 23	56313	23
22580D	25	29105AK	21	51216P	21	56316	21
22585	17	29192V	23	51217C	21	56316C	21
22585A	17, 23	29348AF	21	51236A	23, 25	56321N	21
22586R	21	29476LN	21	51242M	23	56322B	25
22587K	21	29476LV	23	51244L	23	56322C	25
22593	17	29476MJ	25	51244N	23	56334B	25
22637P24	25	29476NM096	25	51246	23	56334L	25
22650CD4	29	29476NM140	25	51247	21	56334N	25
22650CE6	29	33795D	23	51250D	21	56335D	25
22651CB4	25	35731A	17	51250F	21	56335G	25

NUMERICAL INDEX OF PARTS

<u>Part No.</u>	<u>Page No.</u>	<u>Part No.</u>	<u>Page No.</u>	<u>Part No.</u>	<u>Page No.</u>
56335L	25	56393T	19	98A	17
56336	25	56393W	19	99295	19
56336B	25	56394A	19	B21114A	29
56336C	25	56394B	19	CL21	21
56336D	25	56394C	19	CO67E	23
56341F	23	57744	23	G51381BA	19
56342D	21	57821	21	G51381BD	19
56342E	21, 23	57836B	19	G51382BA	19
56343C	21	57841	23	J87J	17
56343E	21	57842B	19	WO3	21, 23
56343F	21	57847	21		
56344B	23	57890B	19		
56344C	23	57WD	27		
56350D	21	59493A	17		
56350E	21	6042A	25		
56350F	21	61256G	19		
56354D	21	61321L	21		
56356	27	61341J	25		
56358	21	61434G	25		
56381-219	19	660-1002	19		
56382	17	660-149	25		
56382A	17	660-202	21		
56382AA	17	660-207	27		
56382AB	17	660-215	21		
56382AC	19	660-221	19		
56382B	19	660-269B	25		
56382C	19	660-342	17		
56382D	17	660-359	25		
56382E	17	660-438	25		
56382G	17	660-457	29		
56382H	17	660-614	21		
56382J	17	660-625	21		
56382L	17	660-665	19, 21		
56382N	17	660-964	17		
56382Y	17	666-214	17		
56383A	27	666-259	19		
56383AA	27	719	23		
56383AB	27	73	23		
56383D	27	73A	23		
56390	19	77	17, 21, 25		
56390E	19	7947	17		
56390G	19	80	19		
56390H	19, 21	80557	27		
56390J	19, 21	87	17		
56392E	27	87U	23		
56392F	27	88	23, 27		
56393C	17	90	19		
56393D	17	95	17, 19, 21		
56393J	23	96	23		
56393L	19	98	23, 25		

Union Special Corporation
Corporate Office
One Union Special Plaza
Huntley, IL 60142
Phone: 847•669•5101
Fax: 847•669•4454

Union Special GmbH
European Distribution Center
Raiffeisenstrasse 3
D-71696 Möglingen, Germany
Tel: 49•07141•247•0
Fax: 49•07141•247•100

JUKI CORPORATION
INTERNATIONAL SALES DIVISION
8-2-1, KOKURYO - CHO,
CHOFU-SHI, TOKYO 182, JAPAN
PHONE: 03(3430)4001~5
FAX: 03(3430)4909 . 4914 . 4984



Union Special
INDUSTRIAL SEWING EQUIPMENT