

CONSEW *Since 1898*®

CONSOLIDATED SEWING MACHINE CORP.

└ INDUSTRIAL SEWING & CUTTING EQUIPMENT

PARTS LIST

4214P

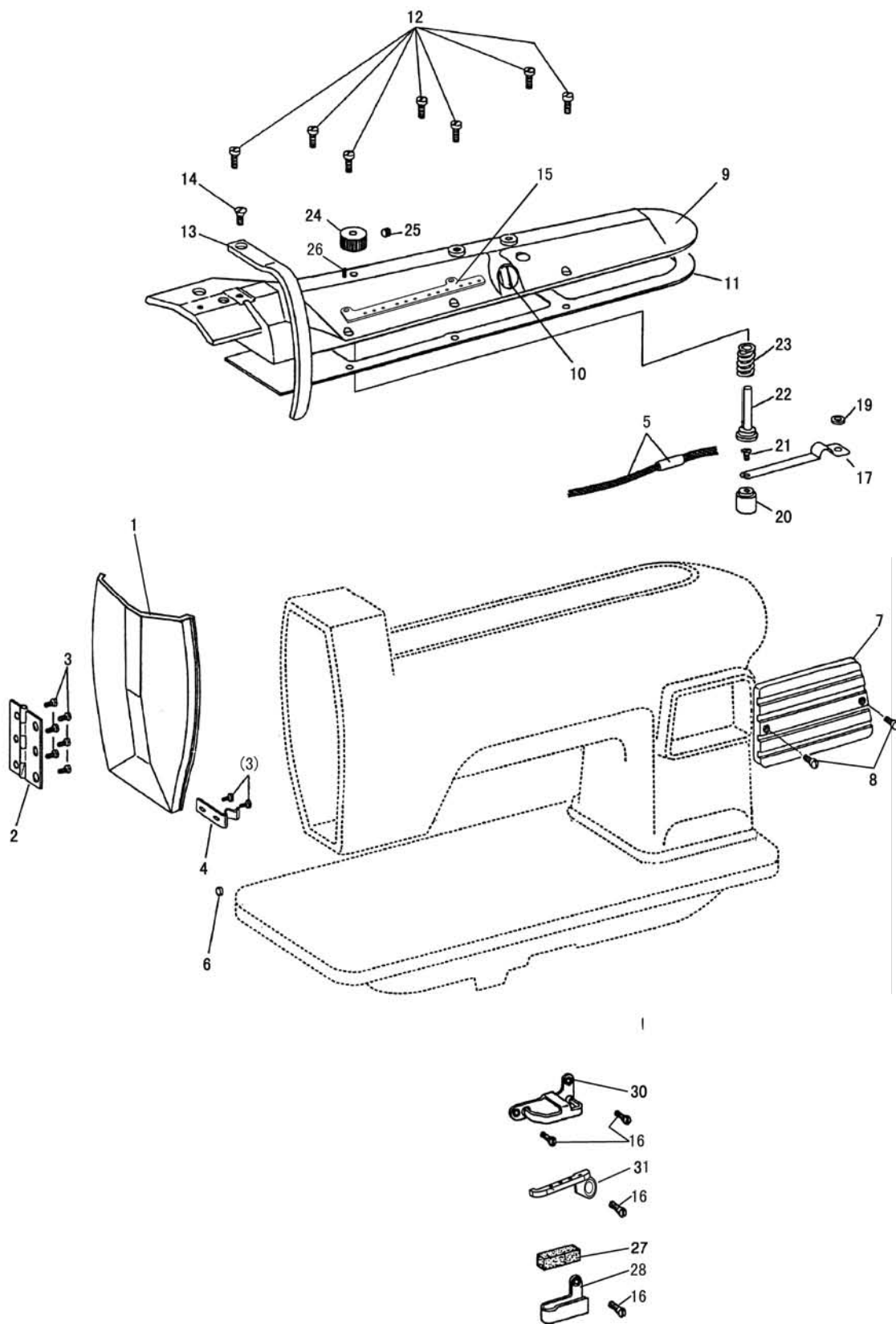
CONSEW *Since 1898*®

CONSOLIDATED SEWING MACHINE CORP.

└ INDUSTRIAL SEWING & CUTTING EQUIPMENT

400 VETERANS BLVD, CARLSTADT, NJ 07072

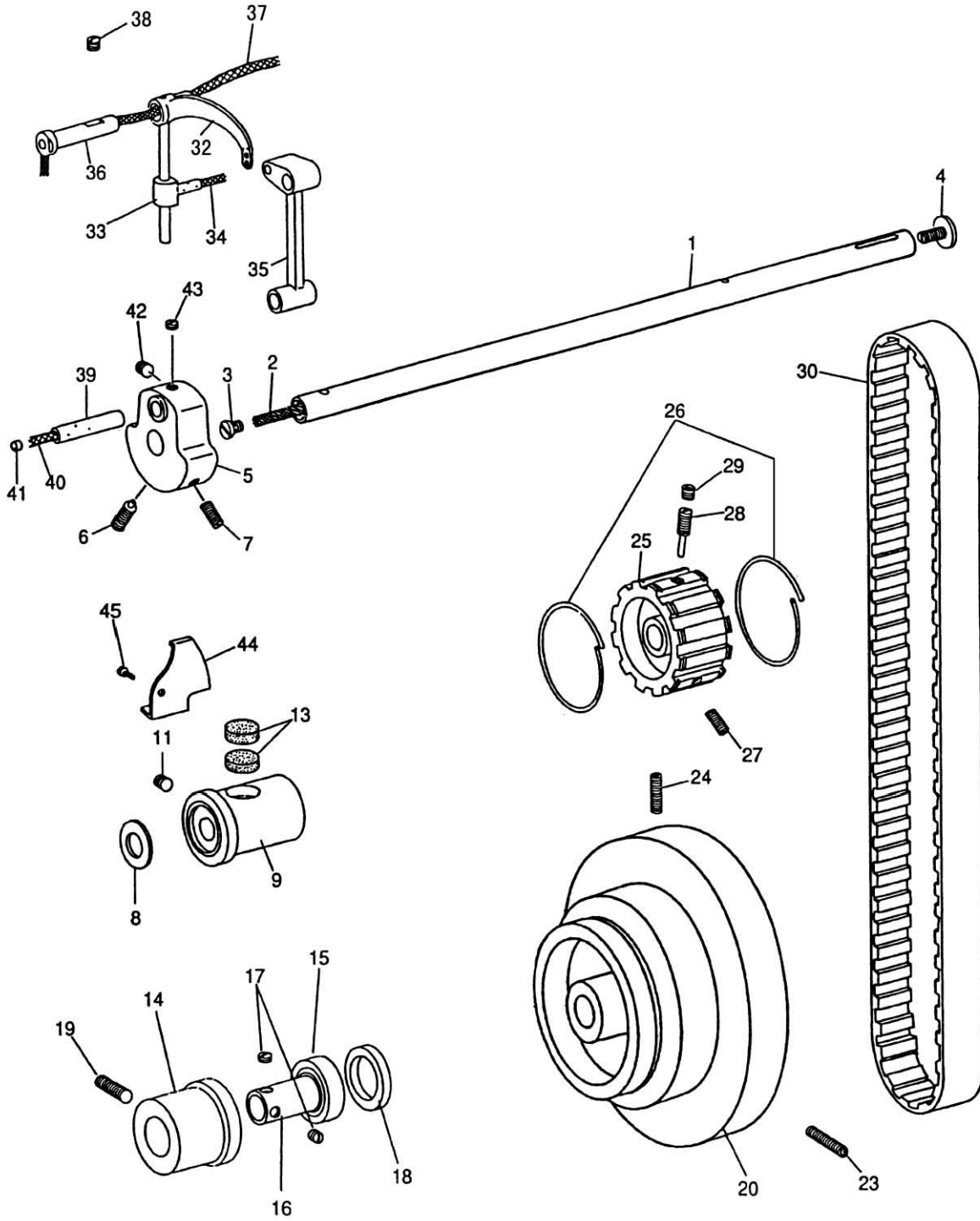
A.ARM BED AND ITS ACCESSORIES



A.ARM BED AND ITS ACCESSORIES

Fig. No.	Part No.	Description	Pcs.	Remarks
A01	HE511B8001	Face Plate	1	
A02	HE009B7101	Hinge	1	
A03	H5727B8001	Screw	8	SM1/8(44)×3.5
A04	HE010B8001	Face Plate Spring	1	
A05	HE030B7101	Oil Tube And Oil Wick Complete	1	
A06	HE011B8001	Rubber	1	
A07	HE012B8001	Arm Side Cover	1	
A08	HE013B8001	Screw	3	SM9/64(40)×8
A09	HE512B8001	Arm Top Cover	1	
A10	HE035B8001	Oil Level Indicator	1	
A11	HE016B8001	Gasket	1	
A12	HE017B8001	Screw	7	SM9/64(40)×10
A13	HE513B8001	Thread Take Up Cover	1	
A14	HE111F8001	Screw	2	SM1/8(44)×7
A15	HF812B8001	Arm Top Cover Thread Guide	2	
A16	HE032B8001	Screw	4	SM0.1339(3.4)(36)×6.5
A17	HE022B8001	Oil Control Spring	1	
A19	H005004040	Washer	1	
A20	HE024B8001	Oil Regulator	1	
A21	HE025B8001	Screw	1	SM1/8(40)×3.3
A22	HE026B8001	Oil Regulating Stud	1	
A23	HE027B8001	Oil Regulating Spring	1	
A24	HE028B8001	Oil Regulating Dial	1	
A25	HE029B8001	Set Screw	1	SM15/64(28)×7.5
A26	HE037B8001	Pin	1	
A27	H3108B0692	Felt	1	
A28	HE033B8001	Thread Guide (Lower)	1	
A30	HE031B8001	Thread Guide (Upper)	1	
A31	HF814B8001	Thread Guide (Middle)	1	

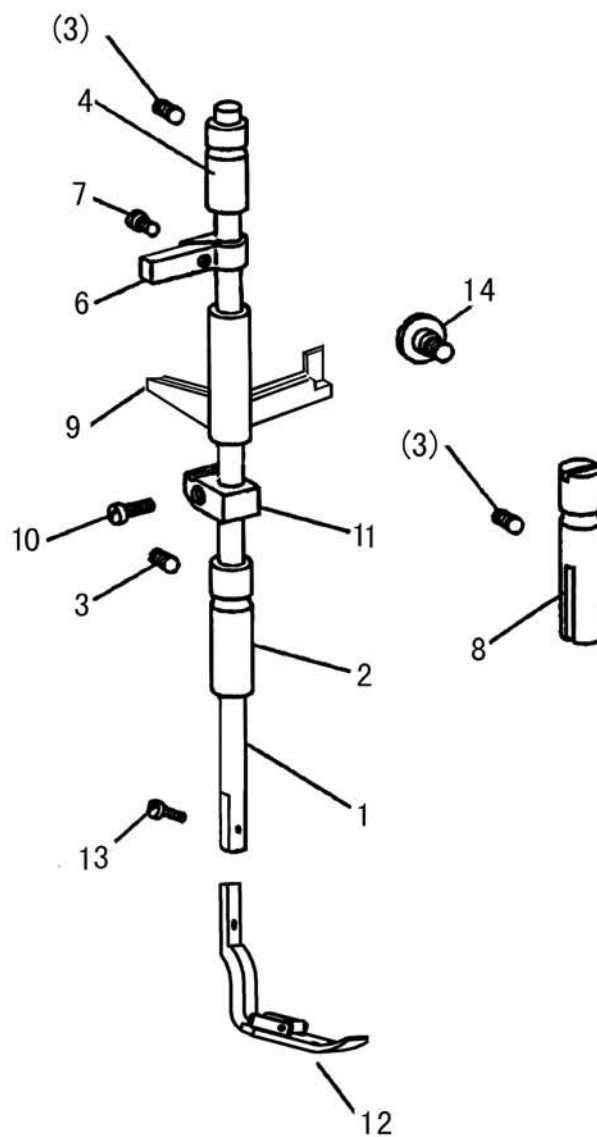
B. ARM SHAFT MECHANISM



B.ARM SHAFT MECHANISM

Fig. No.	Part No.	Description	Pcs.	Remarks
B01	HE004C8001	Arm Shaft	1	
B02	HE005C8001	Oil Wick	1	
B03	HE006C8001	Oil Stop Screw	1	SM0.3091(7.85)(20)×6
B04	HE007C8001	Pulley Adjusting Screw	1	SM17/64(6.75)(24)×11
B05	HE504C8001	Needle Bar Crank	1	
B06	HE009C8001	Position Screw	1	SM1/4(28)×20
B07	HE010C8001	Set Screw	1	SM1/4(28)×14
B08	HE011C8001	Washer	1	
B09	HE012C8001	Arm Shaft Bushing (Left)	1	
B10	H3409C0673	Screw	1	
B11	HE013C8001	Set Screw	1	SM17/64(6.75)(24)×6.5
B13	HE014C8001	Oil Felt	2	
B14	HE015C8001	Arm Shaft Ball Bearing Adaptor	1	
B15	HE016C8001	Arm Shaft Ball Bearing	1	
B16	HE017C8001	Arm Shaft Ball Bearing Adaptor Sleeve	1	
B17	HE044C8001	Set Screw	2	SM1/4(28)×4.5
B18	HE019C8001	Ball Bearing Retaning Ring	1	
B19	HE020C8001	Screw	1	SM17/64(6.75)(24)×20
B20	HE021C8001	Machine Pulley	1	
B23	HE024C8001	Position Screw	1	SM15/64(28)×21
B24	HE025C8001	Set Screw	1	SM15/64(28)×20
B25	HE026C8001	Arm Shaft Connecting Belt Pulley	1	
B26	H3205C0661	Belt Pulley Spring Flange	2	
B27	HE028C8001	Set Screw	1	SM17/64(6.75)(24)×20
B28	HE029C8001	Position Screw	1	SM17/64(6.75)(24)×14.5
B29	HE030C8001	Position Screw Set Screw	1	SM17/64(6.75)(24)×6.5
B30	HE031C8001	Arm Shaft Connecting Belt	1	SEIKO 21EO 022
B32	HF805C8001	Thread Take Up Lever	1	
B33	HE034C8001	Thread Take Up Lever Driving Stud	1	
B34	HE035C8001	Oil Wick	1	
B35	HF806C8001	Needle Bar Connecting Link	1	
B36	HE037C8001	Thread Take Up Lever Hinge Stud	1	
B37	HE038C8001	Oil Wick	1	
B39	H3100C2070	Needle Bar Connecting Link Stud	1	
B40	HE041C8001	Oil Wick	1	
B41	HE011B8001	Rubber Oil Stopper	1	
B42	HE043C8001	Screw(Long)	1	SM1/4(28)×6.5
B43	HE044C8001	Screw(short)	1	SM1/4(28)×4.5
B44	HE045C8001	Thread Take Up Lever Oil Guard	1	
B45	HE046C8001	Screw	1	SM0.1339(3.4)(36)×6

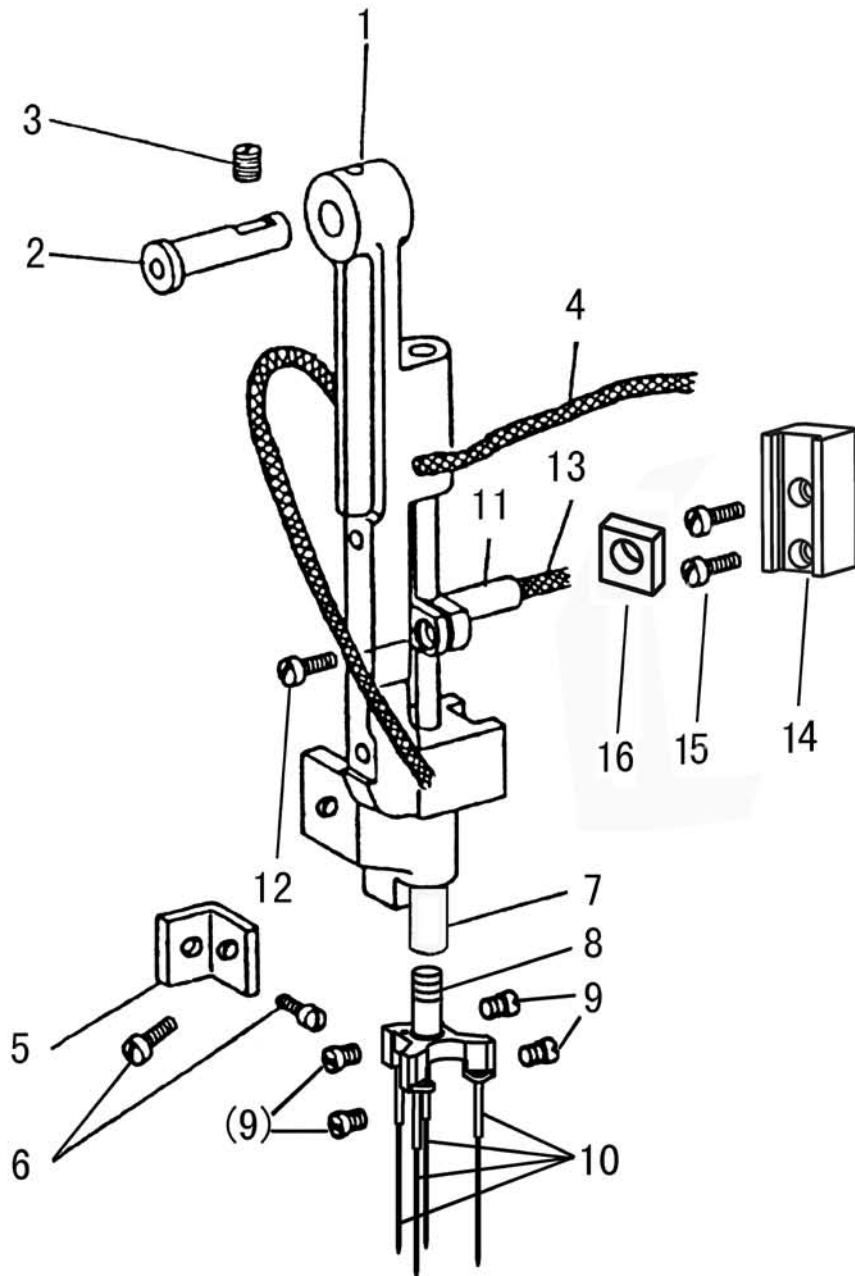
C. PRESSER FOOT MECHANISM



C.PRESSER FOOT MECHANISM

Fig. No.	Part No.	Description	Pcs.	Remarks
C01	HE004D8001	Presser Bar	1	
C02	HF805D8001	Presser Bar Bushing(Lower)	1	
C03	HE006D8001	Set Screw	3	SM17/64(6.75)(24)×11
C04	HE509D8001	Presser Bar Bushing(Upper)	1	
C06	HE008D8001	Presser Bar Position Guide Bracket	1	
C07	HE009D8001	Screw	2	SM5/32(40)×6.5
C08	H3100G2020	Presser Bar Position Guide	1	
C09	HE704D8001	Presser Bar Lifting Bracket	1	
C10	HE018D8001	Pinch Screw	1	
C11	HE017D8001	Presser Bar Spring Barcket	1	M4×0.7×9
C12	HF805D7101	Presser Foot(5/16") Ass'y	1	
C13	HE022D8001	Screw	1	
C14	HE048D8001	Lifting Bracket Guide Screw	1	SM17/64(6.75)(24)×16.5

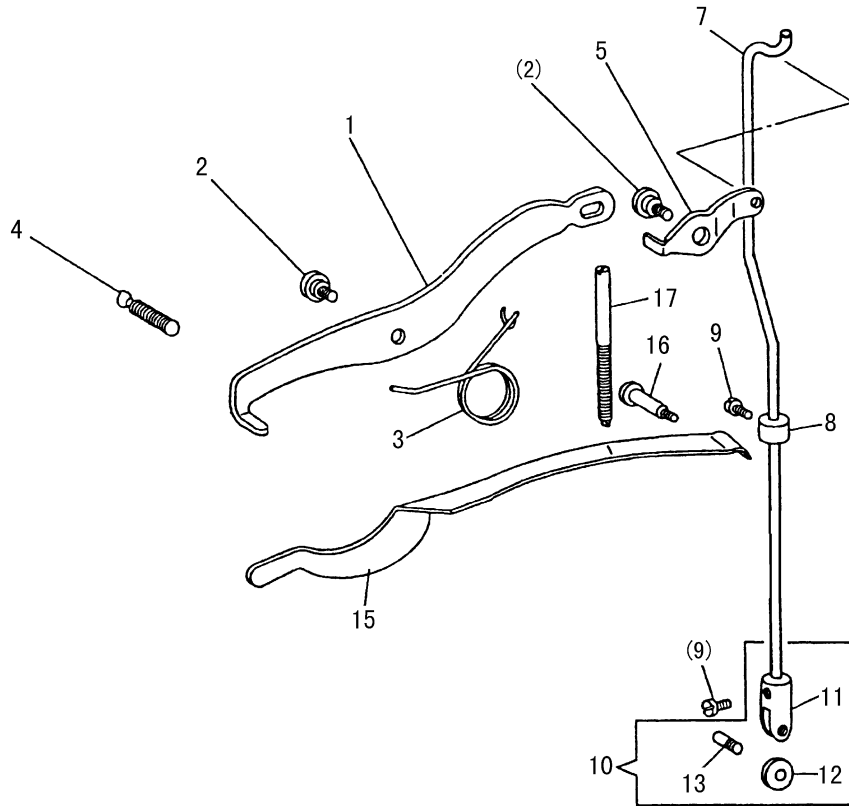
D. NEEDLE BAR & THREAD TAKE-UP LEVER MECHANISM



D.NEEDLE BAR & THREAD TAKE-UP LEVER MECHANISM

Fig. No.	Part No.	Description	Pcs.	Remarks
D01	HF804E8001	Needle Bar Rock Frame	1	
D02	HE006E8001	Hinge Stud	1	
D03	HE007E8001	Set Screw	1	
D04	HE010E8001	Oil Wick	1	
D05	HF805E8001	Needle Bar Rock Frame Position Bracket	1	
D06	HE012E8001	Screw	2	
D07	HE705E8001	Needle Bar	1	
D08	HF806E8001	Needle Clamp(5/16")	1	
D09	H32132D104	Needle Set Screw	4	
D11	HE707E8001	Needle Bar Connecting Stud	1	
D12	HE018D8001	Pinch Screw	1	
D13	HE041C8001	Oil Wick	1	
D14	HF807C8001	Slide Way	1	SM11/64×40×17.4
D15	H4753E8001	Screw	2	
D16	HD416D8001	Slide Block	1	

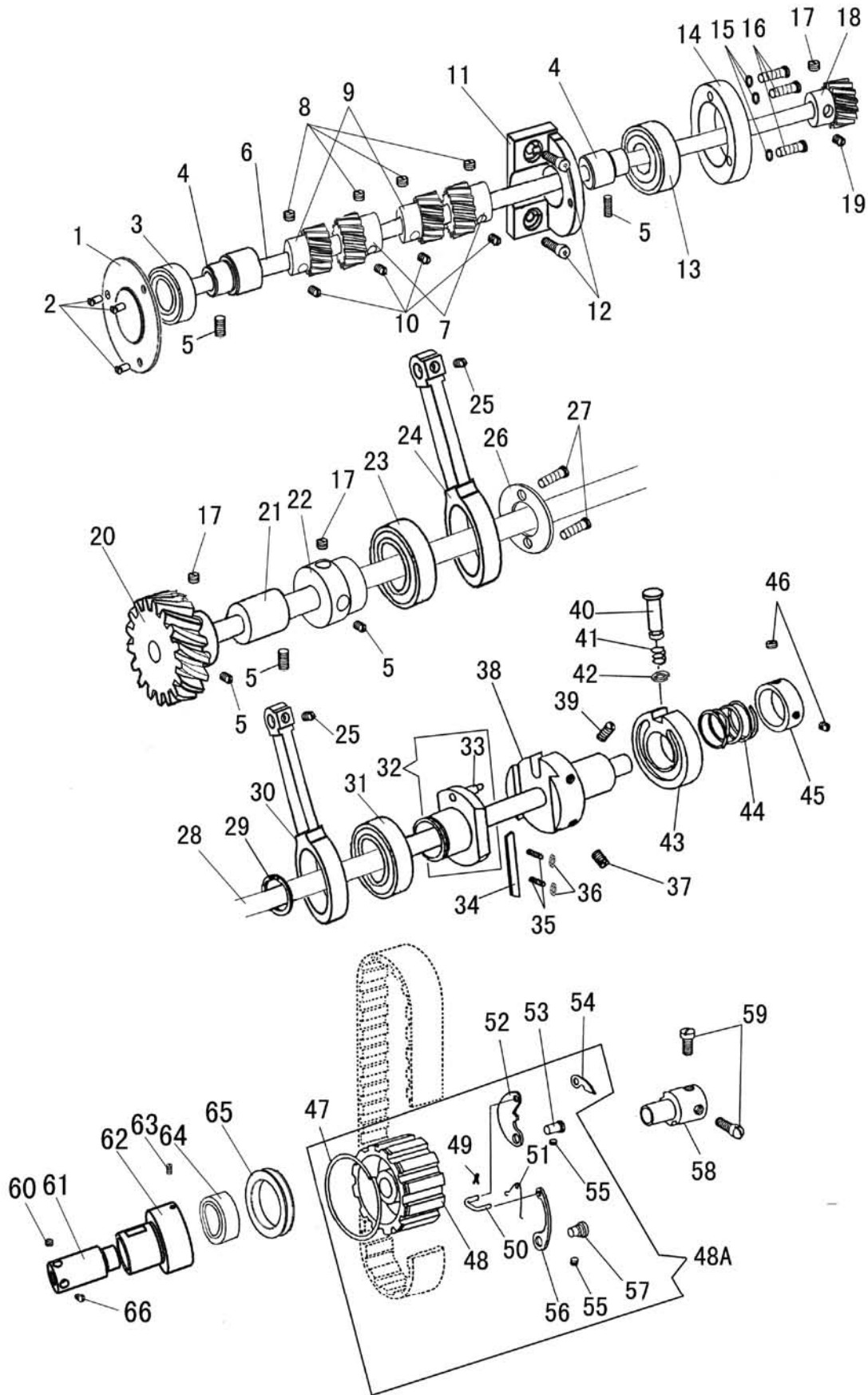
E. KNEE LIFTING LEVER & PRESSER BAR SPRING MACHANISM



E.KNEE LIFTING LEVER & PRESSER BAR SPRING MACHANISM

Fig. No.	Part No.	Description	Pcs.	Remarks
E01	HE004F8001	Knee Lifter Lifting Lever	1	
E02	HE005F8001	Knee Lifter Lifting Lever Hinge Screw	2	SM17/64(24)
E03	HE006F8001	Knee Lifter Lifting Lever Spring	1	
E04	HE007F8001	Knee Lifter Lifting Lever Spring Slop Screw	1	SM17/64(6.75)(24)
E05	HE008F8001	Knee Lifter Connecting Lever	1	
E07	HE010F8001	Knee Lifter Connecting Lever Lifting Rod	1	
E08	HE012F8001	Lifting Rod Collar	1	
E09	HE012E8001	Lifting Barcket Guide Screw	2	SM11/64(32)×6.5
E10	HE014F7101	Lifting Rod Roller Barcket Complete	1	
E11	HE015F8001	Lifting Rod Roller Barcket	1	
E12	HE016F8001	Lifting Rod Roller	1	
E13	HE017F8001	Screw	1	SM0.1339(36)
E15	HE019F8001	Presser Bar Spring	1	
E16	HE020F8001	Presser Bar Spring Support Screw	1	SM17/64(24)
E17	HE021F8001	Presser Bar Spring Regulating Screw	1	SM1/4(32)×46

F. LOWER SHAFT & FEED ROCK SHAFT MECHANISM



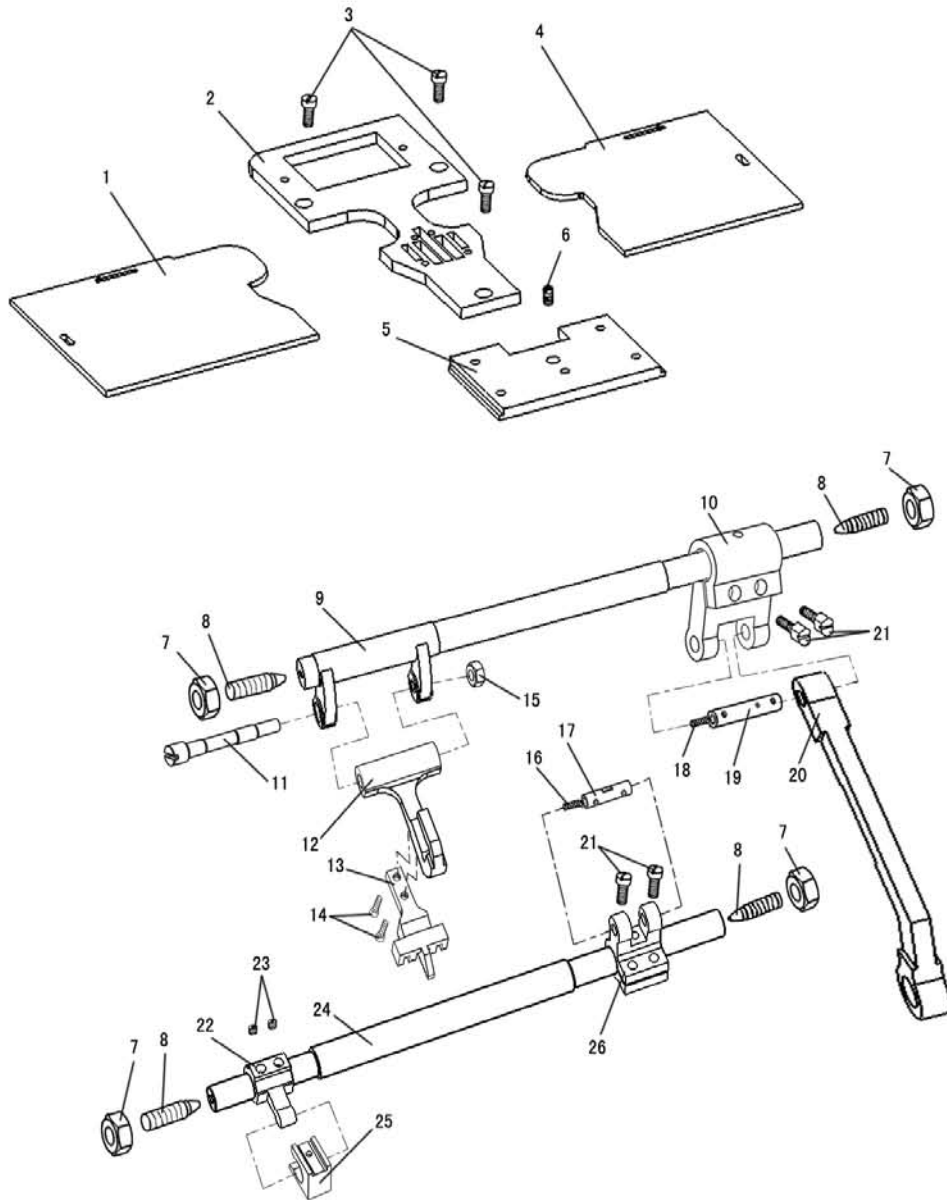
F.LOWER SHAFT & FEED ROCK SHAFT MECHANISM

Fig. No.	Part No.	Description	Pcs.	Remarks
F01	HF804G8001	Bearing Cover	1	
F02	HA7311C306	Bearing Cover Screw	3	
F03	HF805G8001	Hook Driving Shaft Bearing(Left)	1	
F04	HF806G8001	Hook Driving Shaft Bearing(Left) Bushing	2	
F05	HE023C8001	Hook Driving Shaft Bearing(Left) Bushing Screw	5	
F06	HF807G8001	Hook Driving Shaft	1	
F07	HF808G8001	Hook Driving Gear(Right)	2	
F08	HE107D8001	Hook Driving Gear Position Screw	4	
F09	HF809G8001	Hook Driving Gear(Left)	2	
F10	HE044C8001	Hook Driving Gear Set Screw	4	SM1/4(28)×4.5
F11	HF810G8001	Hook Driving Shaft Bearing(Right) Bracket	1	
F12	H415050100	Hook Driving Shaft Bearing(Right) Bracket Screw	2	
F13	HE016C8001	Hook Driving Shaft Bearing(Right)	1	
F14	HF811G8001	Hook Driving Shaft Bearing(Right) Housing	1	
F15	H4722E8001	Hook Driving Shaft Bearing(Right) Housing Washer	3	4.5×10×0.8
F16	H415040140	Hook Driving Shaft Bearing(Right) Housing Screw	3	
F17	HE017G8001	Hook Driving Shaft Pinion Position Screw	3	
F18	HF812G8001	Hook Driving Shaft Pinion	1	
F19	HE012J8001	Hook Driving Shaft Pinion Set Screw	1	
F20	HF814G8001	Belt Pulley(Lower) Shaft Gear	1	
F21	HF815G8001	Belt Pulley(Lower) Shaft Bushing(Left)	1	
F22	HF816G8001	Feed Lifting Eccentric	1	
F23	HD510C8001	Feed Lifting Eccentric Bearing	1	
F24	HF818G8001	Feed Lifting Eccentric Connection	1	
F25	HA100B2110	Feed Lifting Eccentric Connection Set Screw	2	SM11/64(40)×5.5
F26	HF817G8001	Belt Pulley(Lower) Shaft Bearing Retainer	1	
F27	HE106F8001	Belt Pulley(Lower) Shaft Bearing Retainer Screw	2	SM1/8×44×6
F28	HF819G8001	Belt Pulley(Lower) Shaft	1	
F29	H007013050	Retainer	1	
F30	HF820G8001	Feed Driving Eccentric Connection	1	
F31	HE049C8001	Belt Pulley(Lower) Shaft Bearing	1	
F32	HE042G8001	Feed Driving Eccentric	1	
F33	HE043G8001	Feed Driving Eccentric Pin	1	
F34	HE044G8001	Feed Driving Flange Friction Plate	1	
F35	HE045G8001	Feed Driving Flange Friction Plate Screw	2	SM1/8(44)×7.5
F36	H7258B8001	Feed Driving Flange Friction Plate Nut	2	SM1/8(44)
F37	HE040G8001	Feed Driving Flange Set Screw	1	SM1/4"(32)×11
F38	HE039G8001	Feed Driving Flange	1	
F39	HE041G8001	Feed Driving Flange Position Screw	1	SM1/4"(32)×12
F40	HE051G8001	Feed Regulating Stud	1	
F41	H4107D0672	Feed Regulating Stud Spring	1	
F42	H007013050	Feed Regulating Stud Retaining Spring	1	
F43	HE047G8001	Feed Driving Eccentric Adjusting Disc	1	

F.LOWER SHAFT & FEED ROCK SHAFT MECHANISM

Fig. No.	Part No.	Description	Pcs.	Remarks
F44	HE048G8001	Feed Driving Eccentric Adjusting Disc Spring	1	
F45	HE049G8001	Feed Driving Eccentric Adjusting Disc Spring Collar	1	
F46	HE023C8001	Feed Driving Eccentric Adjusting Disc Spring Collar Screw	2	SM1/4(32)×5.5
F47	H3205C0661	Pulley Spring Flange	1	
F48	HE019G8001	Safety Clutch Pulley	1	
F49	H601012100	Safety Clutch Throw In Latch Pin	1	
F50	HE027G8001	Safety Clutch Ratchet Connecting Link	1	
F51	HE026G8001	Safety Clutch Throw In Latch Spring	1	
F52	H4719D8001	Safety Clutch Locking Lever	1	
F53	HE029G8001	Hinge Stud	1	
F54	HE031G8001	Safety Clutch Ratchet	1	
F55	HE028E8001	Screw	2	SM7/32(32)×7
F56	HE023G8001	Safety Clutch Locking Lever Spring	1	
F57	HE024G8001	Hinge Pin	1	
F58	HE021G8001	Safety Clutch Collar	1	
F59	HE022G8001	Screw	2	SM1/4(32)×10.5
F60	HE017G8001	Position Screw	1	SM1/4"(32)×5.5
F61	HF840G8001	Belt Pulley(Lower) Shaft Bushing(Right)	1	
F62	HF839G8001	Hook Driving Shaft Bearing(Lower) Bracket	1	
F63	HE013G8001	Ball Bearing Retaning Ring Screw	3	SM0.1339"(3.4)(36)×5
F64	HE016C8001	Ball Bearing	1	
F65	HE018G8001	Ball Bearing Retaning Ring	1	
F66	HE023C8001	Screw	3	SM1/4"(32)×5.5

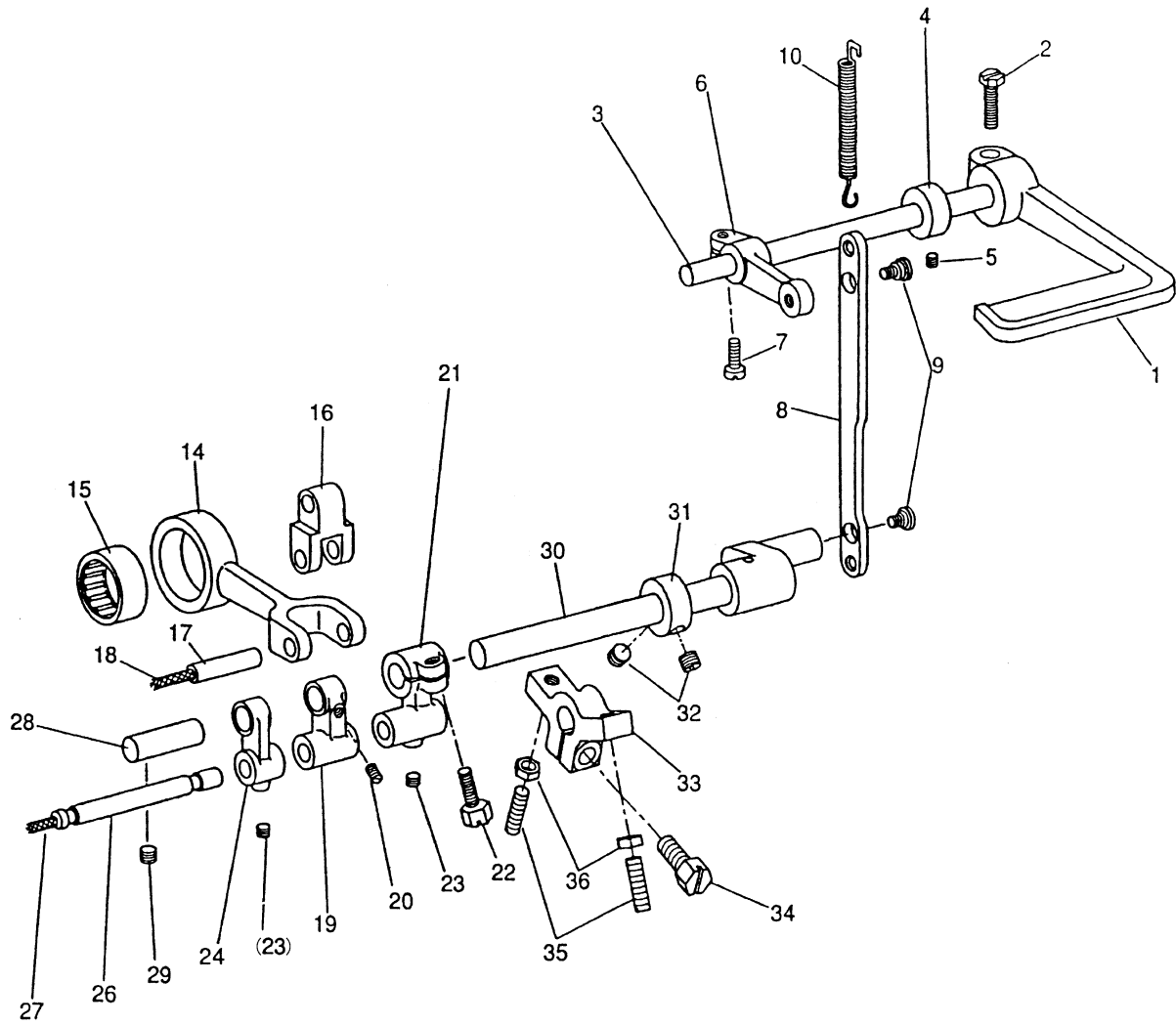
G. FEED ROCK SHAFT & THROAT PLATE MECHANISM



G.FEED ROCK SHAFT & THROAT PLATE MECHANISM

Fig. No.	Part No.	Description	Pcs.	Remarks
G01	HF805I8001	Slide Plate(Left)	1	
G02	HF804I8001	Throat Plate	1	
G03	HE005H8001	Throat Plate Screw	3	
G04	HF806I8001	Slide Plate(Right)	1	
G05	HF807I8001	Attachment Slide Plate	1	
G06	H428040040	Attachment Slide Plate Screw	1	
G07	HH536C8001	Feed Driving Rock Shaft Center Lock Nut	4	
G08	HF822G8001	Feed Driving Rock Shaft Center	4	SM3/8"(28)
G09	HF821G8001	Feed Driving Rock Shaft	1	
G10	HF823G8001	Feed Driving Rock Shaft Crank	1	
G11	HE026H8001	Feed Bar Hinge Screw	1	
G12	HF831G8001	Feed Bar	1	
G13	HF832G8001	Feed Dog	1	
G14	H32211G205	Feed Dog Screw	2	SM1/8" (40) ×7
G15	HE027H8001	Feed Bar Hinge Screw Nut	1	
G16	HF829G8001	Feed Lifting Connection Connecting Pin Oil Wick	1	
G17	HF826G8001	Feed Lifting Connection Connecting Pin	1	
G18	HF825G8001	Feed Driving Connection Connecting Pin Oil Wick	1	
G19	HF824G8001	Feed Driving Connection Connecting Pin	1	
G20	HF830G8001	Feed Driving Rock Shaft Crank Connection	1	
G21	HA304G0656	Feed Driving Rock Shaft Crank Pinch Screw	4	
G22	HF834G8001	Feed Lifting Rock Shaft Slide Block Crank	1	
G23	H4104C0652	Feed Lifting Rock Shaft Slide Block Crank Set Screw	2	
G24	HF828G8001	Feed Lifting Rock Shaft	1	
G25	HF833G8001	Feed Lifting Cam Fork	1	
G26	HF827G8001	Feed Lifting Rock Shaft Crank	1	

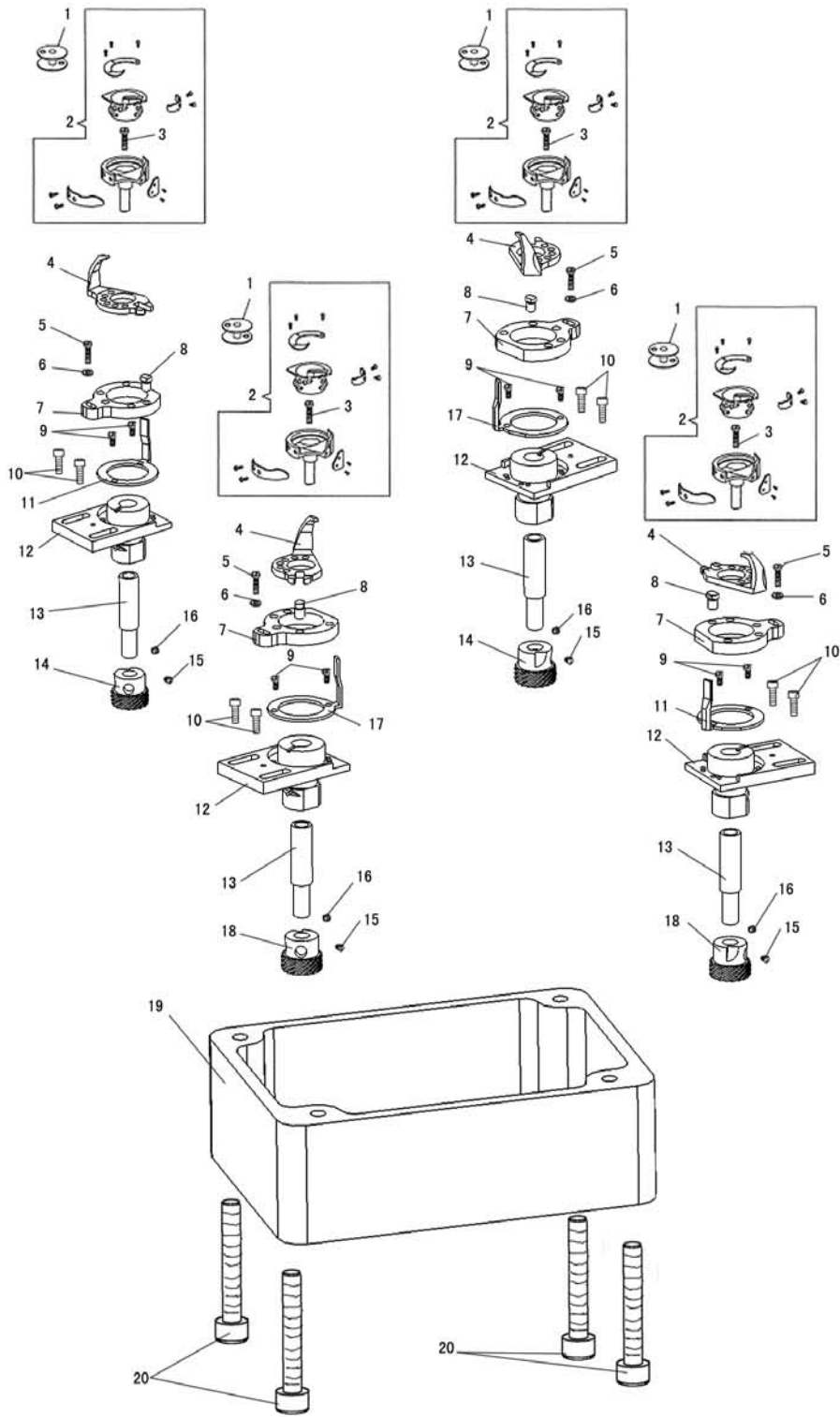
H. STITCH REGULATOR MECHANISM



H.STITCH REGULATOR MECHANISM

Fig. No.	Part No.	Description	Pcs.	Remarks
H01	HE004I8001	Feed Reversing Lever	1	
H02	HE005I8001	Screw	1	SM15/64(28)×18
H03	HE006I8001	Feed Reversing Lever Shaft	1	
H04	HE007I8001	Collar	1	
H05	HE029B8001	Set Screw	1	SM15/64(28)×7.5
H06	HE009I8001	Feed Reversing Lever Shaft Crank	1	
H07	HE010I8001	Pinch Screw	1	SM15/64(28)×16
H08	HE011I8001	Feed Reversing Connection Roo	1	
H09	HE005F8001	Hinge Screw	2	SM17/64(6.75)(24)
H10	HE013I8001	Feed Reversing Lever Spring	1	
H14	HE014I8001	Feed Driving Eccentric Connection	1	
H15	HE049C8001	Needle Bearing	1	
H16	HE016I8001	Feed Driving Eccentric Connection Link	1	
H17	HE017I8001	Hinge Pin	1	
H18	HE027I8001	Oil Wick	1	
H19	HE019I8001	Feed Reversing Shaft Crank Link	1	
H20	HE045H8001	Set Screw	1	SM7/32(32)×5.5
H21	HE021I8001	Feed Reversing Shaft Crank	1	
H22	H3115F0671	Pinch Screw	1	SM1/4(28)×16
H23	HE045H8001	Set Screw	2	SM7/32(32)×5.5
H24	HE024I8001	Feed Reversing Mechanism Support Link	1	
H26	HE026I8001	Feed Reversing Shaft Crank Hinge Stod	1	
H27	HE044H8001	Oil Wick	1	
H28	HE028I8001	Feed Reversing Mechanism Support Link Stod	1	
H29	HE034G8001	Set Screw	1	SM1/4(32)×7
H30	HE030I8001	Feed Reversing Shaft	1	
H31	HE031I8001	Collar	1	
H32	HE023C8001	Set Screw	2	SM1/4(32)×5.5
H33	HE033I8001	Feed Reversing Shaft Bracket	1	
H34	H3115F0671	Set Screw	1	SM1/4(28)×16
H35	H426050180	Stopping Screw	2	
H36	H003001050	Nut	2	

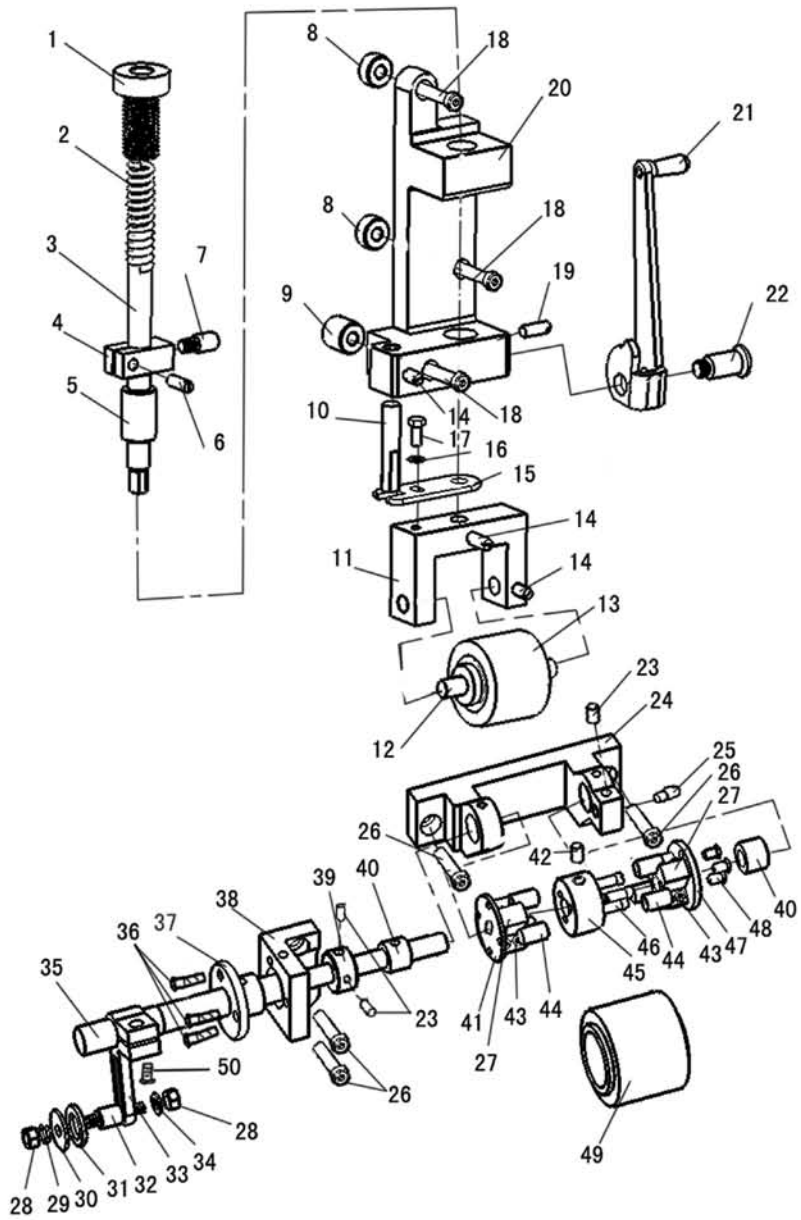
I. HOOK SADDLE MECHANISM



I.HOOK SADDLE MECHANISM

Fig. No.	Part No.	Description	Pcs.	Remarks
I01	H2400I2020	Bobbin	4	
I02	HF822I7101	Hook And Bobbin Case Complete	4	
I03	H4100D2180	Connecting Screw	4	
I04	H4100D2120	Bobbin Case Opener	4	
I05	H415030120	Bobbin Case Opener Base Screw	4	
I06	H005004030	Bobbin Case Opener Base Washer	4	
I07	HF812I8001	Bobbin Case Opener Base	4	
I08	HF814I8001	Slide Block Pin	4	
I09	HF811I8001	Needle Guard Screw	8	
I10	H415050100	Hook Saddle Screw	8	
I11	HF818I8001	Needle Guard(Right)	2	
I12	HF809I8001	Hook Saddle	4	
I13	HF815I8001	Rotating Hook Shaft	4	
I14	HF816I8001	Hook Shaft Gear(Left)	2	
I15	HE107D8001	Hook Shaft Gear Position Screw	4	
I16	HE044C8001	Hook Shaft Gear Set Screw	4	SM1/4"(28)×4.5
I17	HF810I8001	Needle Guard(Left)	2	
I18	HF819I8001	Hook Shaft Gear(Right)	2	
I19	HF820I8001	Oil Reservoir	1	
I20	H415040250	Oil Reservoir Screw	4	

J. ROLLER MECHANISM



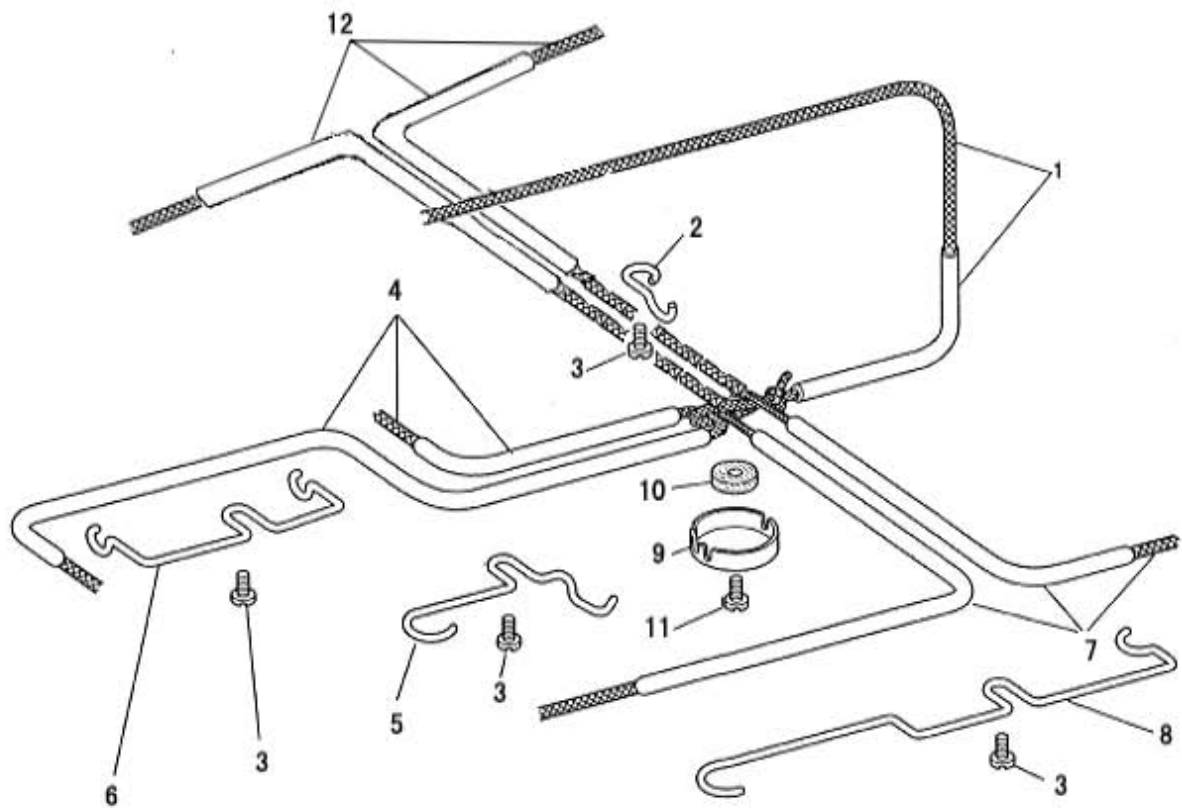
J.ROLLER MECHANISM

Fig. No.	Part No.	Description	Pcs.	Remarks
J01	HF830H8001	Puller Pressure Regulating Screw	1	
J02	HF831H8001	Puller Presser Bar Spring	1	
J03	HF832H8001	Puller Presser Bar	1	
J04	HF833H8001	Puller Presser Bar Spring Bracket	1	
J05	HF836H8001	Puller Presser Bar Bushing	1	
J06	H415050140	Puller Presser Bar Spring Bracket Pinch Screw	1	
J07	HF834H8001	Puller Presser Bar Spring Bracket Screw	1	
J08	HF828H8001	Pullar (Upper) Bracket Collar	1	
J09	HF829H8001	Pullar (Upper) Bracket Thick Collar	1	
J10	HF841H8001	Puller Guide Shaft	1	
J11	HF843H8001	Puller (Upper) Frame	1	
J12	HF844H8001	Roller (Upper) Shaft	1	
J13	HF845H7101	Roller (Upper) Ass'y	1	
J14	H431050060	Screw	3	
J15	HF842H8001	Puller (Upper) Guide Plate	1	
J16	H005004040	Puller (Upper) Guide Plate Screw Washer	1	
J17	H104040080	Puller (Upper) Guide Plate Screw	1	
J18	H415050300	Pullar (Upper) Bracket Screw	3	
J19	H415040120	Puller Lifting Lever Stop Screw	1	
J20	HF827H8001	Pullar (Upper) Bracket	1	
J21	HF837H7101	Puller Lifting Lever Ass'y	1	
J22	HF840H8001	Puller Lifting Lever Hinge Screw	1	
J23	HA100B2110	Puller Shaft Collar Set Screw	3	SM11/64(40)×5.5
J24	HF804H8001	Pullar (Lower) Bracket	1	
J25	HF806H8001	Pullar (Lower) Bracket Position Screw	1	
J26	H415050100	Pullar (Lower) Bracket Screw	4	
J27	HF811H8001	Star Ferry	2	
J28	H003002050	Bearing Inner Coller Clamp Screw Nut	2	
J29	H005008050	Spring Washer	1	
J30	HF851H8001	Washer	1	
J31	HF850H8001	Bearing Inner Coller Clamp Screw Washer	1	
J32	HF849H8001	Bearing Inner Coller Clamp Screw	1	
J33	HF848H8001	Puller Shaft Arm	1	
J34	H005004050	Small Washer	1	
J35	HF820H8001	Puller Shaft	1	
J36	H415040080	Puller Shaft Flanged Metal Bearing Set Screw	3	GB/T70.1 M4×8
J37	HF824H8001	Puller Shaft Flanged Metal Bearing	1	
J38	HF823H8001	Puller Shaft Metal Bearing Bracket	1	
J39	HF821H8001	Puller Shaft Collar	1	
J40	HF805H8001	Puller Shaft Metal Bearing	2	
J41	HF807H8001	Clutch Disk	1	
J42	H429050060	Lower Roller Bracket Set Screw	1	GB/T 78 M5×6
J43	HF813H8001	Spring	12	

J.ROLLER MECHANISM

Fig. No.	Part No.	Description	Pcs.	Remarks
J44	HF812H8001	Rolling Shaft	6	
J45	HF814H8001	Lower Roller Bracket	1	
J46	HF815H8001	Lower Roller Set Screw	3	
J47	HF809H8001	Clutch Plate	1	
J48	HF810H8001	Clutch Plate Set Screw	3	
J49	HF817H7101	Roller (Lower) Ass'y	1	

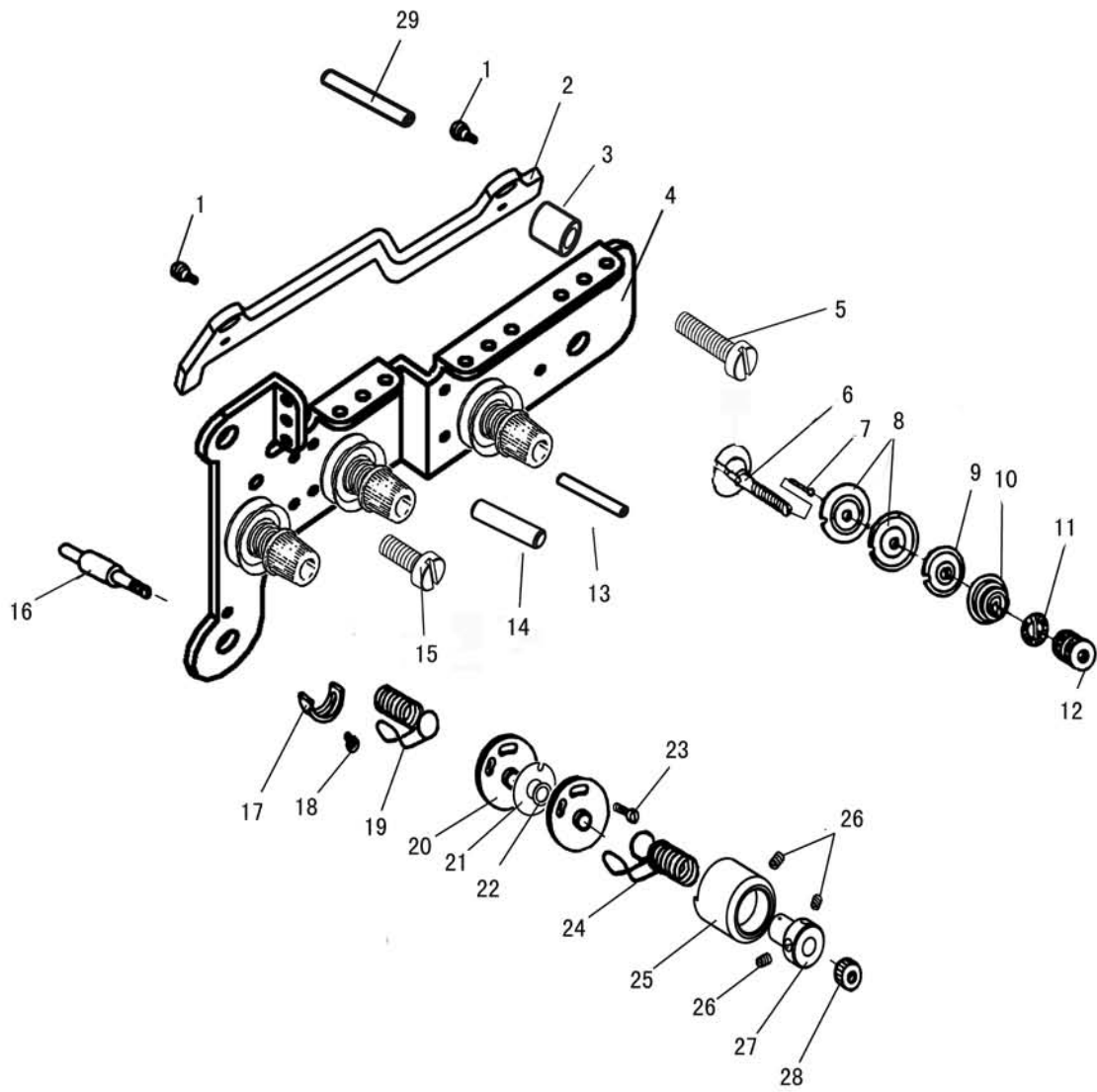
K. OIL LUBRICATION MECHANISM



K.OIL LUBRICATION MECHANISM

Fig. No.	Part No.	Description	Pcs.	Remarks
K01	H3209K0066	Oil Tube And Oil Wick	1	
K02	H3200K0170	Retainer	1	
K03	H6623C8001	Screw	4	SM9/64(40)×6.5
K04	HF804K7101	Oil Tube And Oil Wick	1	
K05	H3200K0170	Retainer	1	
K06	H3200K0170	Retainer	1	
K07	HF807K7101	Oil Tube And Oil Wick	1	
K08	H3200K0170	Retainer	1	
K09	HE012L8001	Bed Oil Tube Clamp	1	
K10	HE013L8001	Oil Felt	1	
K11	HE014L8001	Screw	1	SM1/4(32)×13
K12	HF810K7101	Oil Tube And Oil Wick	1	

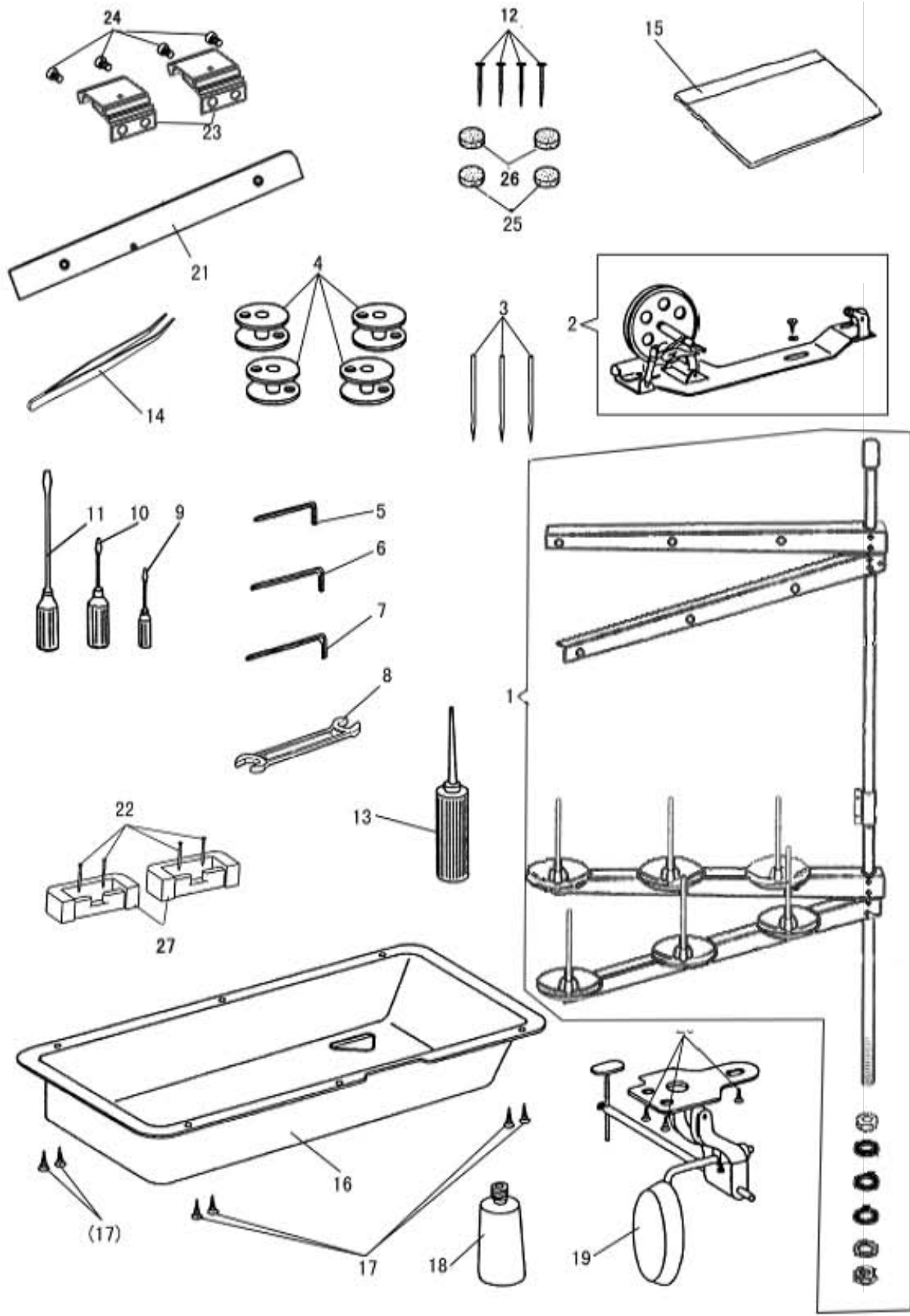
L. THREAD TENSION REGULATOR MECHANISM



L.THREAD TENSION REGULATOR MECHANISM

Fig. No.	Part No.	Description	Pcs.	Remarks
L01	HE019K8001	Screw	2	
L02	HF808J8001	Tension Release Plate	1	
L03	HF806J8001	Washer	1	
L04	HF805J8001	Tension Release Plate	1	
L05	H4753E8001	Screw	1	SM11/64(40)×17.5
L06	HE007K8001	Tension Release Pin(Long)	4	
L07	HE008K8001	Tension Screw	4	
L08	H2504C0656	Tension Disc	8	
L09	H2504C0657	Tension Release Washer	4	
L10	H4710C8001	Tension Spring	4	
L11	HA115B7010	Nut Washer	4	
L12	HA310B0701	Nut	4	
L13	H605020140	Pin	4	
L14	H605020090	Pin	4	
L15	HA100E2150	Screw	1	SM11/64(40)×10
L16	HE523K8001	Thread Controller Stod	1	
L17	H3221B6819	Thread Controller Spring Stop	1	
L18	HE046C8001	Screw	1	
L19	HE525K8001	Thread Controller Spring	1	
L20	HE015K7101	Thread Controller Disc	2	
L21	HE524K8001	Thread Controller Position Disc	1	
L22	HE527K8001	Washer	1	
L23	HE530K8001	Screw	1	
L24	HE526K8001	Thread Controller Spring	1	
L25	HE529K8001	Bushing	1	
L26	H6039G8001	Screw	3	
L27	HE528K8001	Thread Controller Spring Bushing	1	
L28	HE017K8001	Nut	1	
L29	HE023K8001	Tension Release Plate Roo	1	

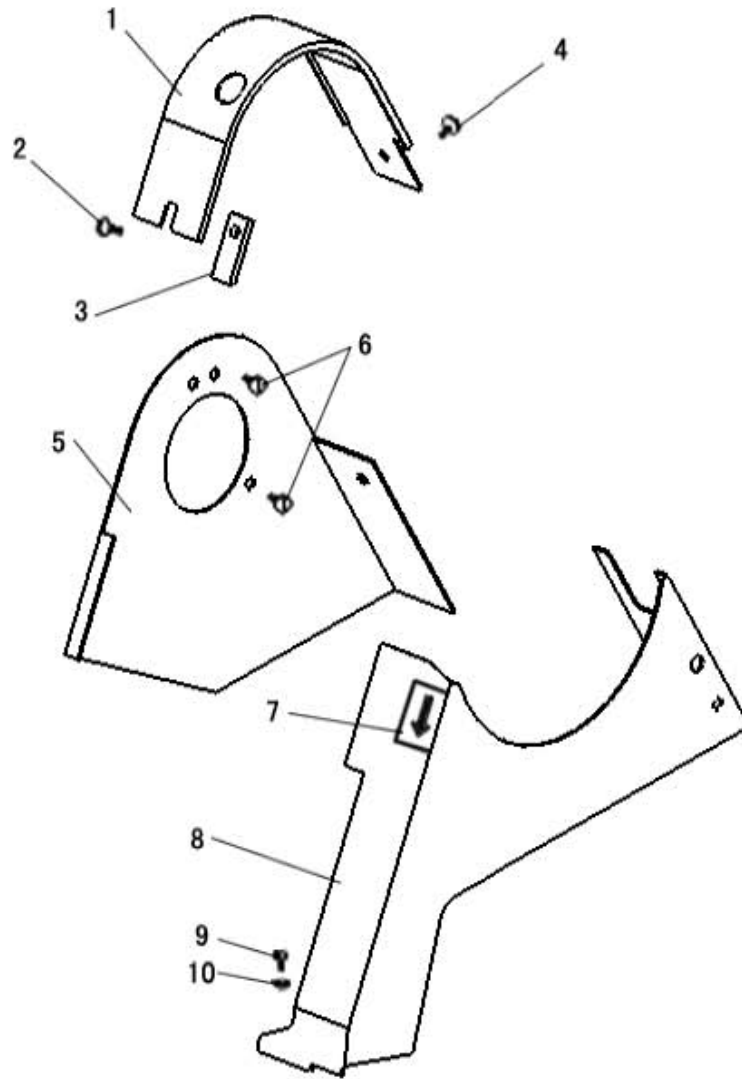
M. ACCESSORIES



M.ACCESSORIES

Fig. No.	Part No.	Description	Pcs.	Remarks
M01	HF806L8001	Thread Unwinder Complete	1	
M02	HA706S0067	Bobbin Winder Complete	1	
M03	HF807E8001	Needle	4	
M04	H2400I2020	Bobbin	8	
M05	HB00001015	Wrench(1.5mm)	1	
M06	HB00001030	Wrench(3mm)	1	
M07	HB00001025	Wrench(2.5mm)	1	
M08	HA300J2220	Double Head Wrench	1	
M09	HA300J2210	Screw Driver(Small)	1	
M10	HA300J2200	Screw Driver(Middle)	1	
M11	HA300J2070	Screw Driver(Large)	1	
M12	H403060080	Screw	4	
M13	HA100J2110	Oil Bottle	1	
M14	HE015M8001	Tweezers	1	
M15	HA300J2150	Accessories Pack	1	
M16	HF810L7101	Drip Pan	1	
M17	H802035190	Wood Screw	6	
M18	HE013M8001	Oil Bottle	1	
M19	HE014M7101	Knee Lifter Complete	1	
M20	H802055250	Wood Screw	3	
M21	HF805L8001	Machine Hinge Connection Cover Board	1	
M22	HZB1016250	Nail	4	
M23	HF804L8001	Machine Hinge Connection	2	
M24	HE010M8001	Screw	4	SM17/64"(24)×7.5
M25	H2005O0066	Machine Rest	2	
M26	H2004O0065	Machine Rest	2	
M27	HE007M8001	Machine Hinge Connection Cushion	2	

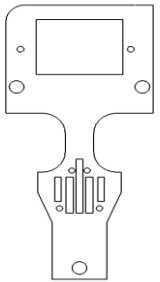
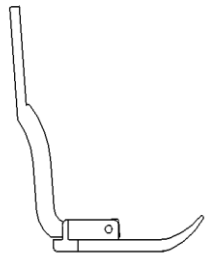
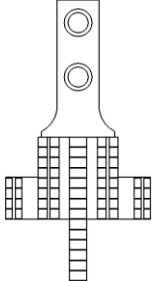
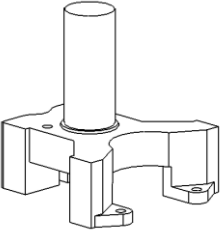
N. PARTS AVAILABLE AT EXTRA CHARGE



N.PARTS AVAILABLE AT EXTRA CHARGE

Fig. No.	Part No.	Description	Pcs.	Remarks
N01	HE008N8001	Belt Guard Cover(Top)	1	
N02	HE009N8001	Screw	1	SM13/64"(32)×9
N03	HE006N8001	Belt Guard Cover Linker	1	
N04	HE123I8001	Screw	1	
N05	HE005N8001	Belt Guard Cover(Left)	1	
N06	HE006H8001	Screw	2	SM0.1339"(3.4)(36)×5.4
N07	HA300B2270	Tab	1	
N08	HE007N8001	Belt Guard Cover(Right)	1	
N09	HE046C8001	Screw	1	SM0.1339"(3.4)(36)×6
N10	H005001040	Washer	1	

GAUGE PARTS LIST

	Gauge Size	1/4-1/4-1/4inch	1/4-5/16-1/4inch	1/4-3/8-1/4inch
Needle Plate		HF824I8001	HF804I8001	HF823I8001
Presser Foot		HF809D7101	HF805D7101	HF813D7101
Feed Dog		HF845G8001	HF832G8001	HF832G8001
Needle Clamp		HF809E8001	HF806E8001	HF810E8001



CONSOLIDATED SEWING MACHINE CORP.

└ INDUSTRIAL SEWING & CUTTING EQUIPMENT

MAIN OFFICE

**400 VETERANS BLVD.
CARLSTADT, NJ 07072
TEL: 212-741-7788
FAX: 212-741-7787**

MIAMI OFFICE

**4077 N.W. 79TH AVE.
MIAMI, FL 33166
TEL: 305-471-0200
FAX: 305-471-0243**

L.A. OFFICE

**2320 SOUTH HILL ST.
LOS ANGELES, CA 90007
TEL: 213-745-8844
FAX: 213-745-8855**