

CONSEW *Since 1898*®

CONSOLIDATED SEWING MACHINE CORP.

└ INDUSTRIAL SEWING & CUTTING EQUIPMENT

**PARTS LIST
&
INSTRUCTION
MANUAL
357R-1**

CONSEW *Since 1898*®

CONSOLIDATED SEWING MACHINE CORP.

└ INDUSTRIAL SEWING & CUTTING EQUIPMENT

400 VETERANS BLVD, CARLSTADT, NJ 07072

CONTENT

Operation Instruction

I 、 Brief introduction	1
II 、 Main specification	1
III 、 Installing the Machine	1
1.Installing the Machine head	1
2.Installing the motor	1
3.Installing the bobbin winder	2
4.Connecting the clutch lever to pedal	2
5.Installation and adjustment of knee lifter device	2
6.Installing the drip pan	3
7.Installing the thread unwinder	3
IV 、 Preparation	3
1.Clean the machine	3
2.Examination	4
V 、 Operation and Adjustment	4
1.Choosing the thread	4
2.Installing the needle	4
3.Threading the needle thread	4
4.Winding the bobbin thread	5
5.Installing the bobbin into the hook	5
6.Adjusting stitch length and reverse sewing	5
7.Adjusting the tension of bobbin thread and needle thread	6
8.Adjusting the height of feed dog and the pressure of presser bar	7
9.Adjusting the position of hook and needle	7
10.The relation between the hook and hook thread separate bracket	8
11.Adjusting the position of feed dog and needle	9

Parts Manual

1.Arm	10~11
2.Thread tension	12~13
3.Post bed	14~15
4.Post bed for twin needle	16~17
5.Upper shaft and needle thread take-up	18~19
6.Presser foot lifter	20~21
7.Reverse feed	22~23
8.Lower shaft	24~25
9.Accessory	26~27

Operation Instruction

**The directions should be read carefully before
using the machine and taken adequate maintenance**

I、Brief Introduction

This machine adopts slide drive lever, vertical rotary hook, upper and lower synchronized belt. It can go through materials easily and run smoothly for its large stroke of needle. The stitch length is adjustable when sewing forward and backward. It is suitable for sewing round the corner on leather shoes, sports shoes, leather bags, gloves, caps, etc.

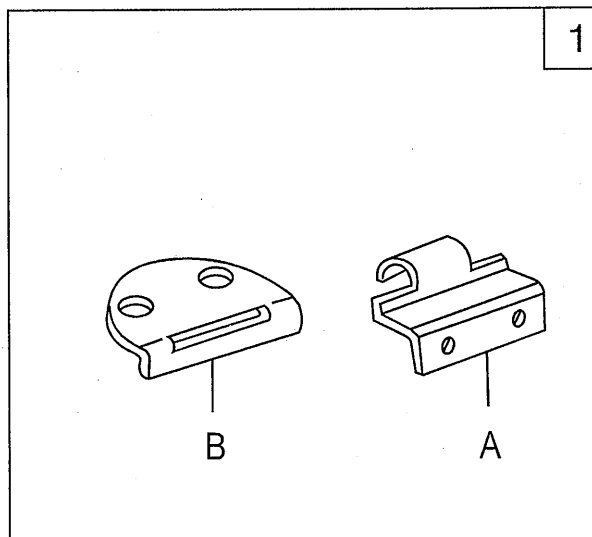
II、Main specification

Max.Sewing Speed	2500s.p.m
Stitch Length	0~5mm
Stroke of Needle Bar	33.2mm
Thread take-up lever Stroke	61.5mm
Presser Foot Lift Height	7mmby hand 13mm by knee
Needle	DP×F22 14-18
Hook	Vertical rotating hook
Lubrication	Oiling by hand
Needle gauge <mm>	1.2、1.6、2、2.4

III、Installing the machine

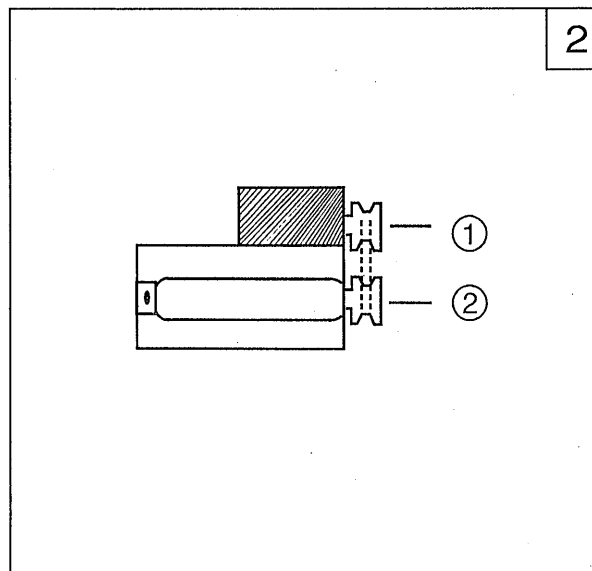
1.Installing the machine head(Fig.1)

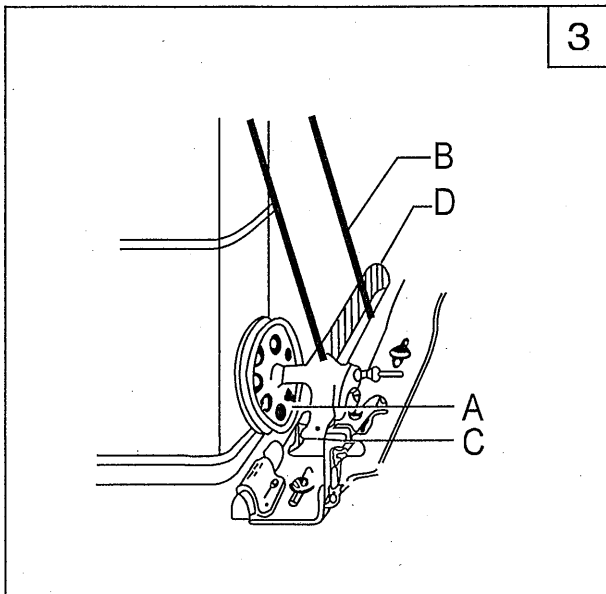
Please fix the hinge bushing A to the sewing machine bed, and the hinge B into the groove of the table by wood-screws, then fix the machine head on the table.



2.Installing the motor(Fig.2)

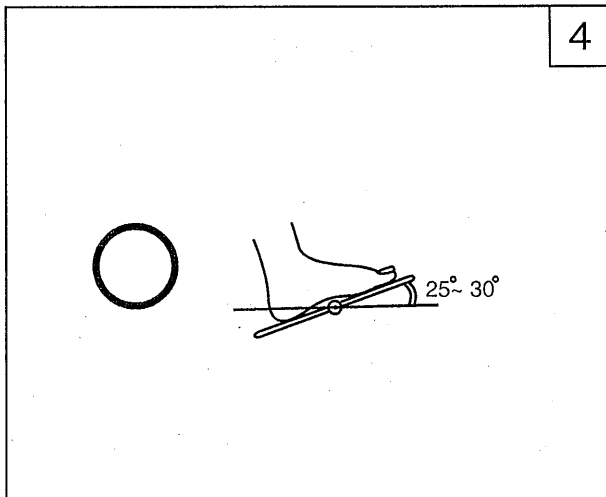
- (1)Install the motor on the bottom of the table with screws, washers and nuts.
- (2)Fix the motor when the groove of the balance wheel ① is confirmed in straight line with the groove of the pulley ② after installing the belt.
- (3)Install the switch, and connect the motor and elec. power to ensure that the motor runs clockwise.
- (4)The tension F of the O belt could be adjusted by moving the motor upward and downward. The proper tension of O-belt is a slack of 10-12mm when the belt is pressed softly by finger.





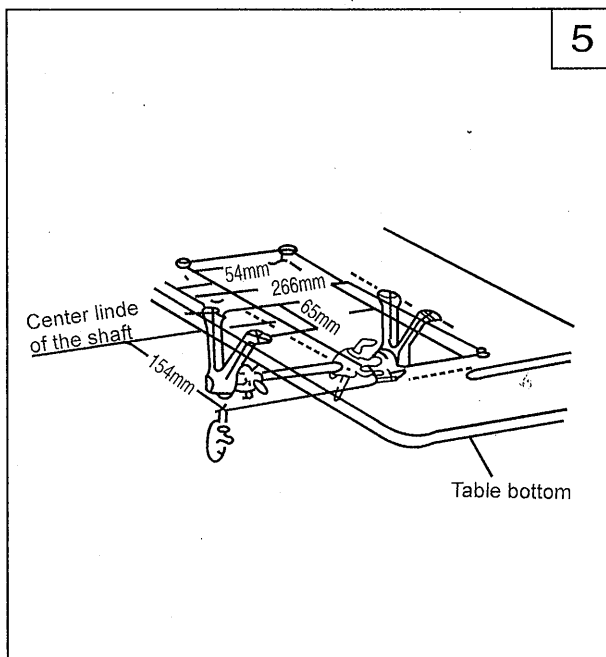
3. Installing the bobbin winder (Fig.3)

Align the pulley A with the outside of the belt B, and there should be a proper clearance between them, so that the pulley is contacted with the belt when the rock lever C is pressed. The bobbin winder should be paralleled to belt slit D of the table.



4. Connecting the clutch lever to pedal (Fig.4)

- (1) Adjust the position of the pedal so that the clutch lever and draw bar are in straight line.
- (2) The optimum tilt angle of the pedal against floor is approx. 20~30 degree.

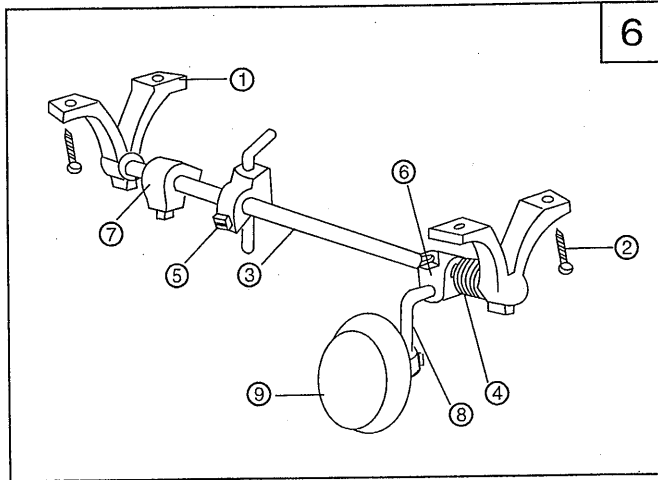


5. Installation and adjustment of knee lifter device (Fig.5, 6)

1. Install the knee lifter device correctly at the mark of table bottom shown as fig. 5
2. The method of installation (fig.6)
 - (1) Put the support ① on the mark of table bottom.
 - (2) Fix the support on the table by the wood-screw ②.
 - (3) Install the knee lifter lever ③, and put the spring ④, knee lifter crank ⑤, connecting rod joint ⑥, knee lifter position complete ⑦ onto the knee lifter lever orderly.
 - (4) Ensure every parts be on their own position. Then tighten the scrow ②.
 - (5) Insert the knee lifter bar ⑧ into the connecting rod joint ⑥, then put the bell ⑨ on the knee lifter bar ⑧.
 - (6) Insert one side of the spring ④ into the hole of support ①, another side of the spring be installed into the knee lifter lever.
 - (7) Make sure that the knee lifter device could work freely after installation.
 - (8) Put the machine head on the table, install the knee lifter connecting rod joint complete on the knee lifter connecting rod, and adjust the parts according to the position of connecting rod joint complete.

6. Installing the drip pan

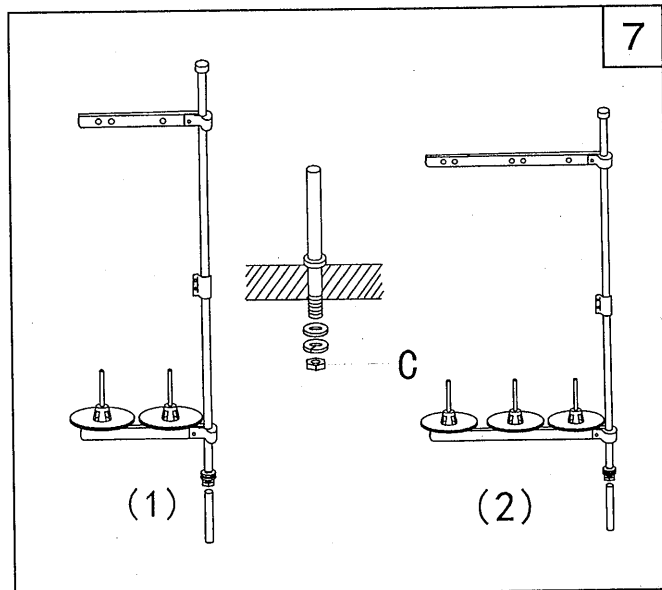
Fix the drip pan on the table with the nails. Make sure drip pan doesn't touch with the knee lifter device



7. Installing the thread unwinder

Install the thread unwinder shown as the figure. Locate the thread unwinder at the right back of the table. The machine head doesn't touch with the thread unwinder when it is put down, then tighten the nut C.

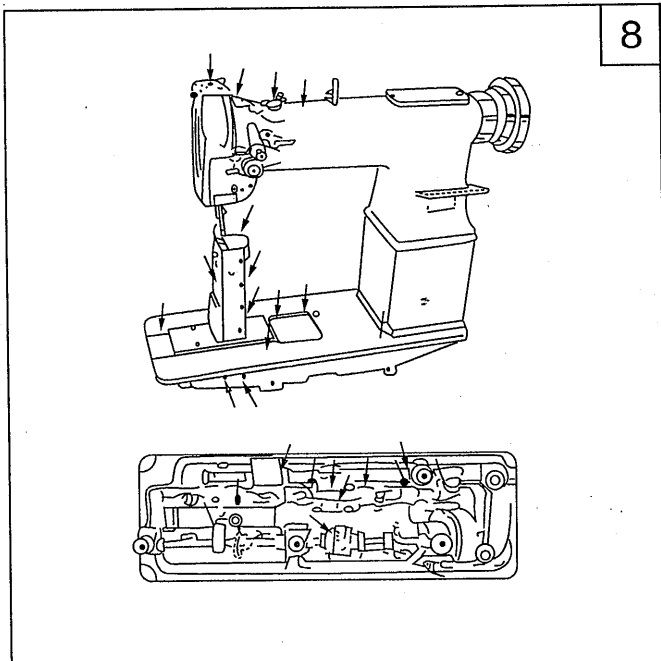
Note: Fig7(2) thread unwinder is for twin-needle sewing machine

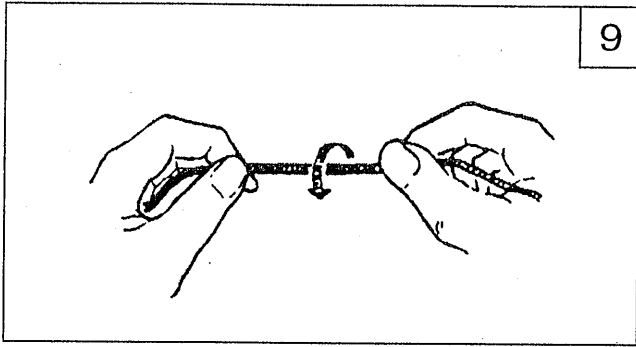


IV、 Preparation

1. Clean the machine(Fig.8)

- (1) Clean the machine, the grease and dust coated on the machine must be removed with clean soft cloth.
- (2) Examination. Turn the balance wheel by hand to see if there is running abrasion, parts collision, uneven resistance of abnormal noise. If these situations exist, adjustment must be made accordingly before running.
- (3) Fill the oil in all the oil holes of the machine.

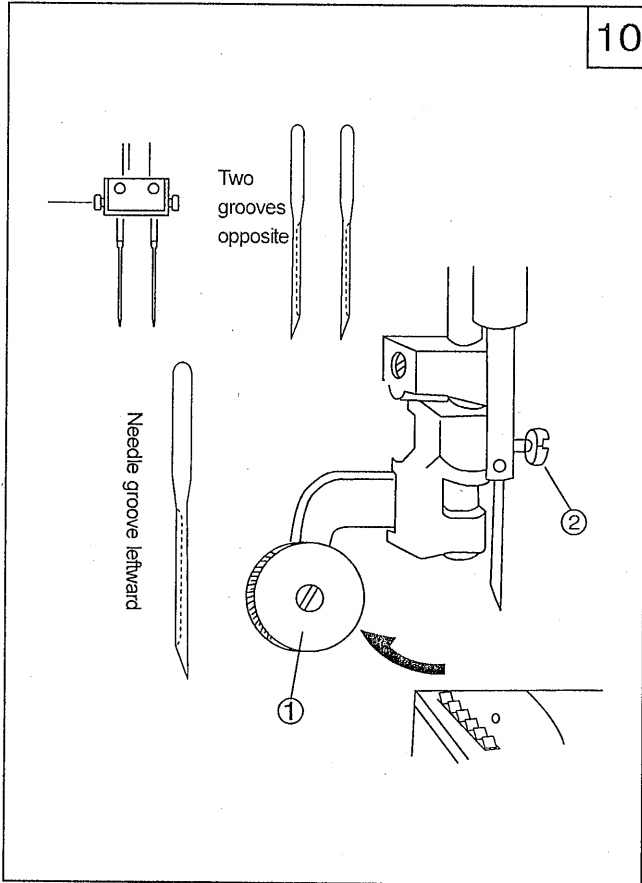




9

2.Examination

When the machine is put into use or use again after operation for a long time, please lift the roller presser foot and run the machine at lower speed of 1200-1500s.p.m, After running 30 min, then increase up sewing speed gradually.



10

V、 Operation and Adjustment

1.Choosing the thread(Fig.9)

- (1)The thread should be in good quality.
- (2)The thread should be left-twisted.
- (3)Holding the thread (shown in Fig. 9), twist it upward by right hand. If it changes into twice, it is right-twisted, contrary, it is left-twisted.

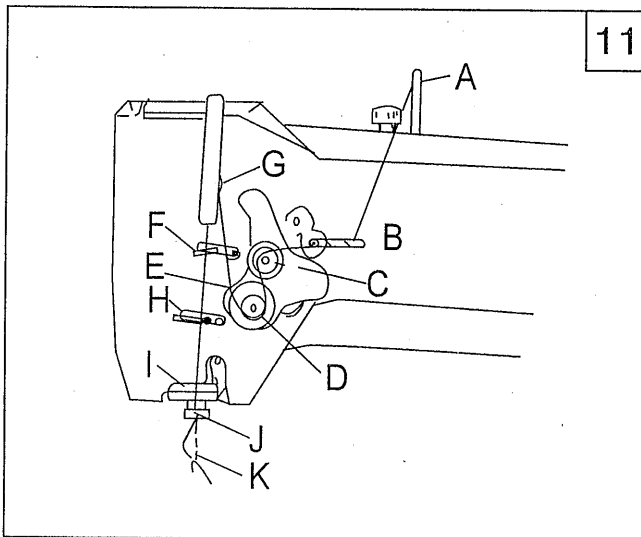
2.Install the needle (Fig.10)

- (1)The needle is DP×F22 14#~18#.
- (2)Select needle according to the thread.

Installation:

- (1)Lift the presser foot lifter, turn the balance wheel by hand to lift the thread take-up lever to its highest position.
- (2)Press the roller presser foot ① downward and open it leftward.
- (3)Loosen the screw②.
- (4)Make the needle groove turn to the left side, then fully insert the needle shank up to the bottom of the needle socket.
- (5)Tighten the screw②.

Note: For twin-needle machine, two needle grooves is opposite.②



11

3.Threading the needle thread(Fig.11)

- (1)Turn the balance wheel by hand to lift the thread take-up lever up to the highest position.
 - (2)Lift the presser foot lifter, press the roller presser downward and open it leftward.
- The order as the Fig. 11: Thread pass-by pin A → Three-eye thread guide B → thread tension C → Thread controller plate D → thread take-up spring E → upper thread guide F → thread take-up lever G → upper thread guide F → middle thread guide H → lower tread guide I → needle bar thread guide J → needle K.

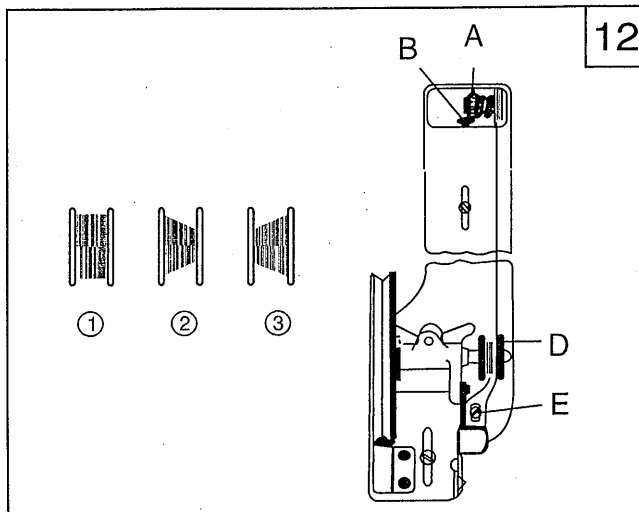
4. Winding the bobbin thread(Fig.12)

1. Winding the thread

The bobbin thread should be neat and tight. If the thread is weak, please enlarge the pressure of the big thread tension disc A. If the thread is not neat, please move the bracket to adjust it. Firstly, loosen the screw. If the thread is wound to one side as Fig.12(B), please move the bracket rightward. If it is as fig.12(C), please move the bracket leftward. Move the bracket until the thread is wound neatly as Fig.12(A). then tighten the screw.

Note : Nylon or polyester thread should be wound with light tension in particular, otherwise the bobbin D might be broken or deformed.

Don't overfill the bobbin thread, because it makes thread Loosen down from the bobbin. The optimum capacity Of bobbin t thread is about 80% of bobbin outside diameter, and this can be adjusted by screw(E).



5. Install the bobbin into the hook(Fig.13)

(1) Turn the balance wheel by hand to lift the needle bar up to its highest position, open the roller presser foot leftward.

(2) Take off the sliding plate.

(3) Lift the hook door lifter B.

(4) Draw out the bobbin thread 5cm

(5) Put the bobbin into the hook.

(6) Put down the door lifter B.

(7) Pass the 5cm thread through the hook groove c, then draw out the thread from the bottom of D.

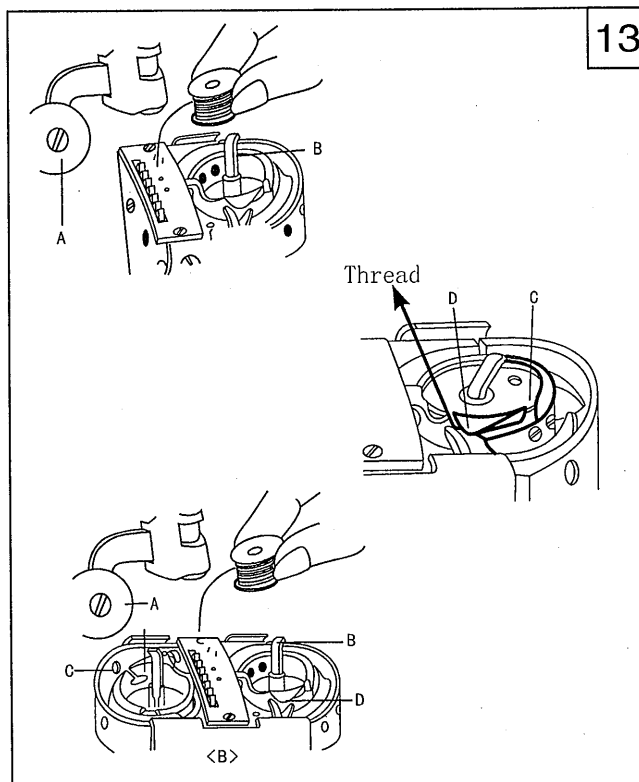
(8) Put the thread out.

(9) Hold the needle thread by left hand, and turn the balance wheel by right hand.

(10) put the bobbin thread nearby.

(11) Put on the sliding plate.

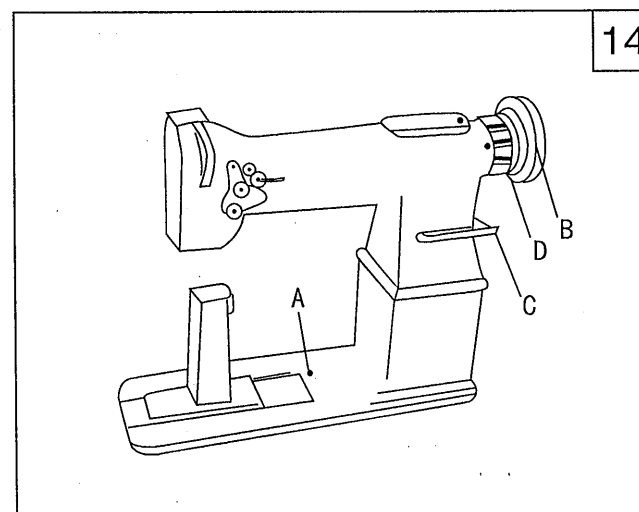
Note: Fig.13 is for twin-needle sewing machine.

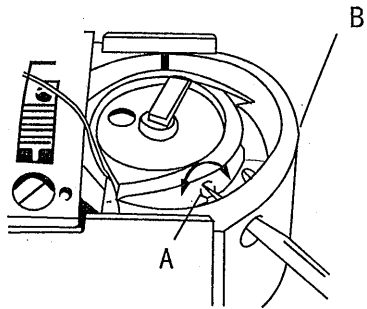
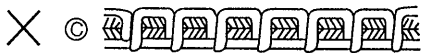
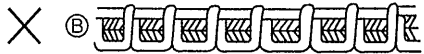
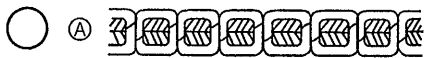


6. Adjusting for stitch length and reverse sewing(Fig.14)

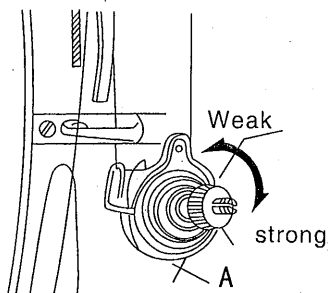
Press the stitch length button A, turn the balance wheel B until the button inserts the eccentric adjusting tray groove, continually press the button A, turn the balance wheel to make the figure which is on the stitch length ring B align with the red mark on the arm.

Turn the balance wheel clockwise, the stitch length becomes small, on the contrary, the stitch length becomes big. The figure on the stitch length ring D indicates the stitch perinch. (25.4mm)

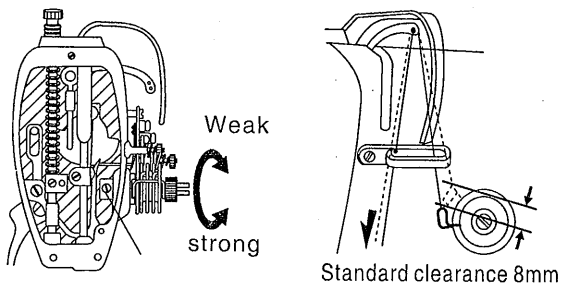




(1)

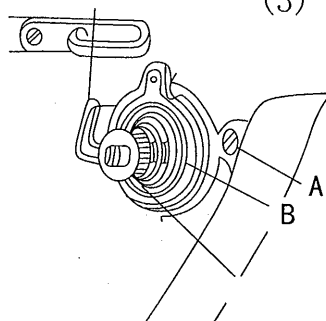


(2)



(3)

(3)



(4)

7. Adjusting the tension of bobbin thread and needle thread (Fig. 15)

The tension of needle thread and bobbin thread should be suitable. The stitch form shown as (A) is the best. The abnormal stitch form shown as (B)(C) will occur when the tension is tightened or loosened.

① Adjusting the tension of bobbin thread

The tension of bobbin thread should be adjusted according to the material.

(1) Turn the balance wheel by hand to lift the thread take-up lever up to its highest position.

(2) Take down the sliding plate, the adjusting screw (A) is shown as (1)

(3) Put the screwdriver into the hold B, then turn the adjusting screw A clockwise, the tension of bobbin thread becomes strong.

(4) If turn the adjusting screw A count-clockwise, the tension of bobbin thread becomes weak.

② Adjusting the tension of needle thread.

(1) Adjusting the pressure on thread tension disc. Adjusting the pressure on thread tension disc to change the tension of needle thread. As Fig. (2), turn the nut (A) clockwise to increase the pressure, on the contrary, to decrease the pressure.

(2) Adjusting the tension of thread take-up spring

Common material	25g
Thin material	20g
Heavy material	30g

The method of adjustment:

a. Put down the presser foot lifter.

b. Loosen the thread take-up spring shaft screw (A).

c. The tension becomes weak when turns, the thread take-up spring shaft clockwise. On the contrary, it becomes strong.

d. Tighten the screw A after adjustment.

(3) The swing range of thread take-up spring

The thread take-up spring needs to be able to swing.

When the thread take-up lever is at its highest position the normal swing range of thread take-up spring should be:

Common material	about 8mm
Thin material	over 8mm
Heavy material	less 8mm

The method of adjusting swing range

a. Put down the presser foot lifter

b. Loosen the screw A

c. Turn the thread take-up spring disc B counter-clockwise, the swing range increases, on the contrary, the swing range decreases.

d. Tighten the screw A.

8. Adjusting the height of feed dog and the pressure of presser bar (Fig.16)

16

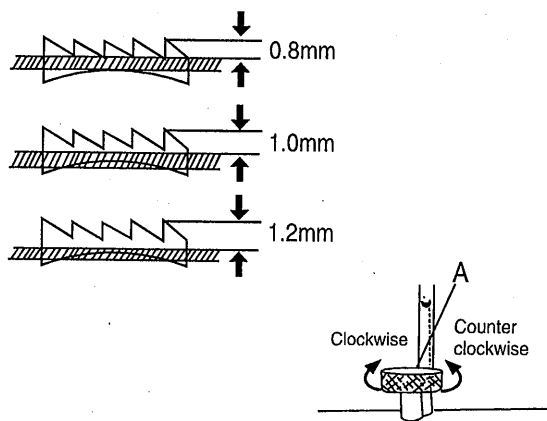
In order to fit sewing of different materials, the height of feed dog and pressure of presser bar should be adjusted. Sewing on thin material, if the height of feed dog is too high or pressure of presser bar is too strong, the material will be damaged; sewing on heavy material, if the height of feed dog is too low or pressure of presser bar is too weak, the stitch will not be regular.

Thin material 0.8mm

common material 1.0mm

heavy material 1.2mm

The height of feed dog is the height between the feed dog and needle plate when the feed dog is lift up to its highest position.



9. Adjusting the position of hook and needle (Fig.17)

17(1)

① Adjusting the position of hook and needle

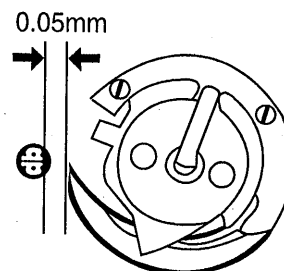
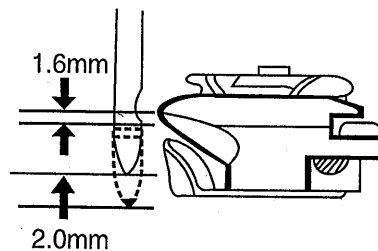
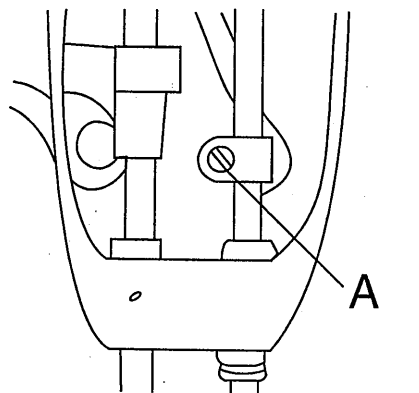
Lift the needle up to 2mm away from its lowest position, the correct position between the hook and needle: the hole of needle is 1.6mm lower than the tip of hook; the tip of hook is straight to the needle groove; there is a 0.05mm clearance between the tip of the hook and the needle groove.

(1) Adjusting the needle position

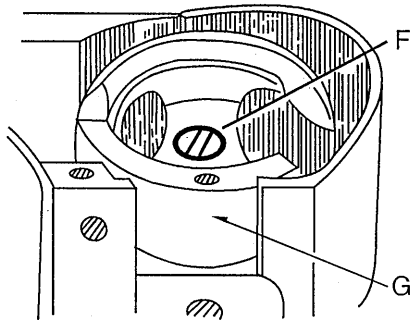
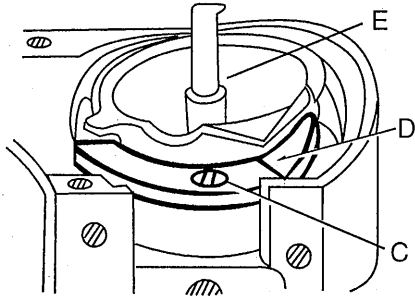
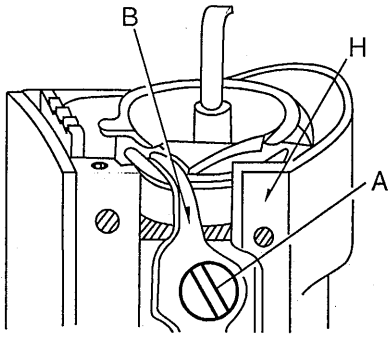
- a. Turn the balance wheel by hand to lift the needle bar up to 2mm away from its lowest position
- b. Loosen the screw A
- c. Move the needle bar upper and lower to make the hole of needle is 1.6mm lower than the tip of hook.
- d. Tighten the screw A after adjustment.

(2) Adjusting the position of tip of the hook

- a. Put away the sliding plate and needle plate
- b. Take off the small oil reservoir
- d. Loosen the screw I and gearing screw H (Shown as Fig.19)
- e. Turn the balance wheel by hand to lift the needle up to 2mm away from its lowest position
- f. Move the tip of hook to make it front to the center of the needle groove



17(2)



g. Tighten the screw I and gearing screw H after adjustment

h. Put up the small oil reservoir.

② Install and unistall the hook

(1) Uninstall the hook

a. Turn the balance wheel to lift the needle bar to it highest position

b. Take off the sliding plate, needle plate and bobbin

c. Take off the front cover H

d. Loosen the screw A, and take out the thread separator B

e. take off the screw C, and take out the presser plate D

f. Take out the hook head E

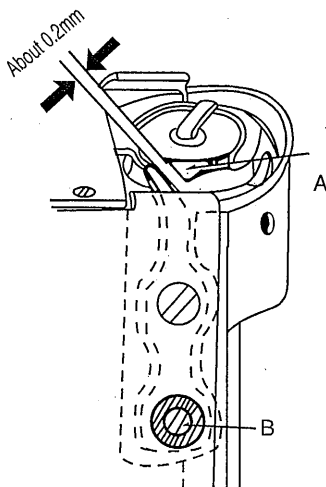
g. Loosen set screw F, take out the hook G

(2) Install the hook

a. Install the hook in the reverse order of uninstalling

b. Attention should be given to the hook which direction of installing is as of uninstalling.

18



10. The relation between the hook and thread separate bracket(Fig.18)

(1) Take off the sliding plate and front cover for post bed.

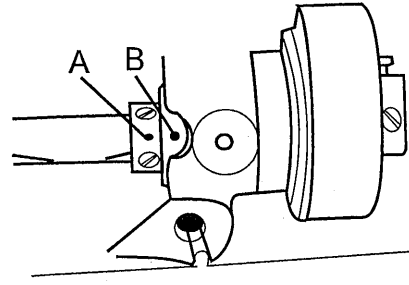
(2) Turn the balance wheel until the largest clearance between the hook and the thread separate bracket appeared.

(3) Loosen the screw B to make the clearance become 0.2mm. (Adjust according to the thread).

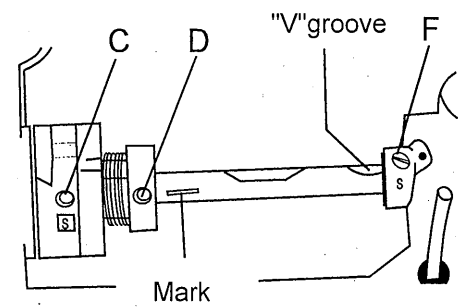
(4) Tighten the screw B after the adjustment.

11. Adjusting the position of feed dog and needle (Fig.19)

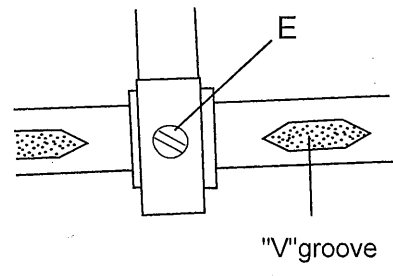
Turn the balace wheel to make the thread take-up lever lift up to its highest position, the arrow A on the rear bushing and the red mark are on one line, as fig.<A>; Set the screw F into the "V"groove, and tighten it. The hole <C>, screw D and the mark on the lower shaft are on one line, as fig. The screw <e> on the lifting cam is straight with the "V" groove as fig.<C>.



(A)



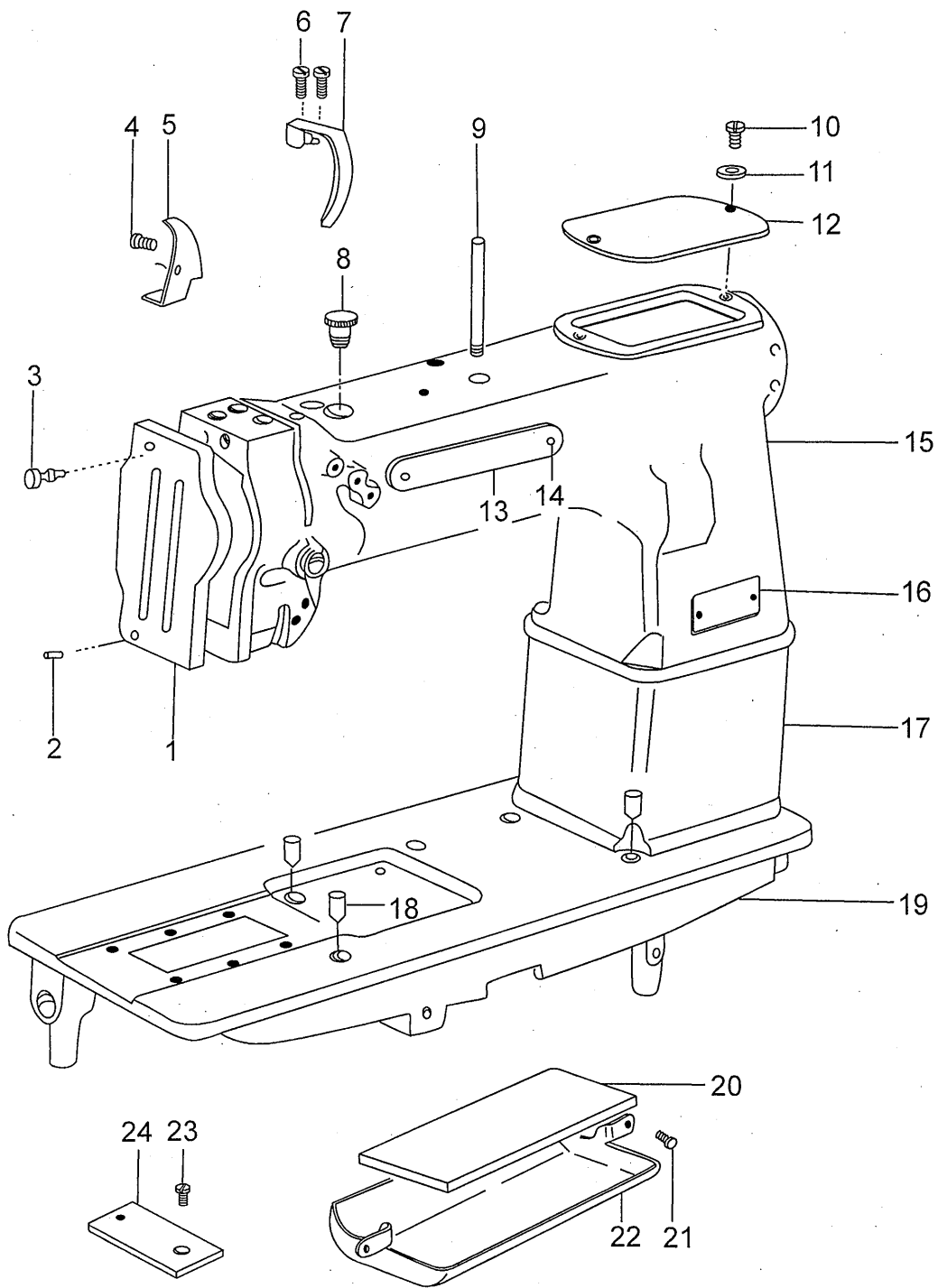
(B)



(C)

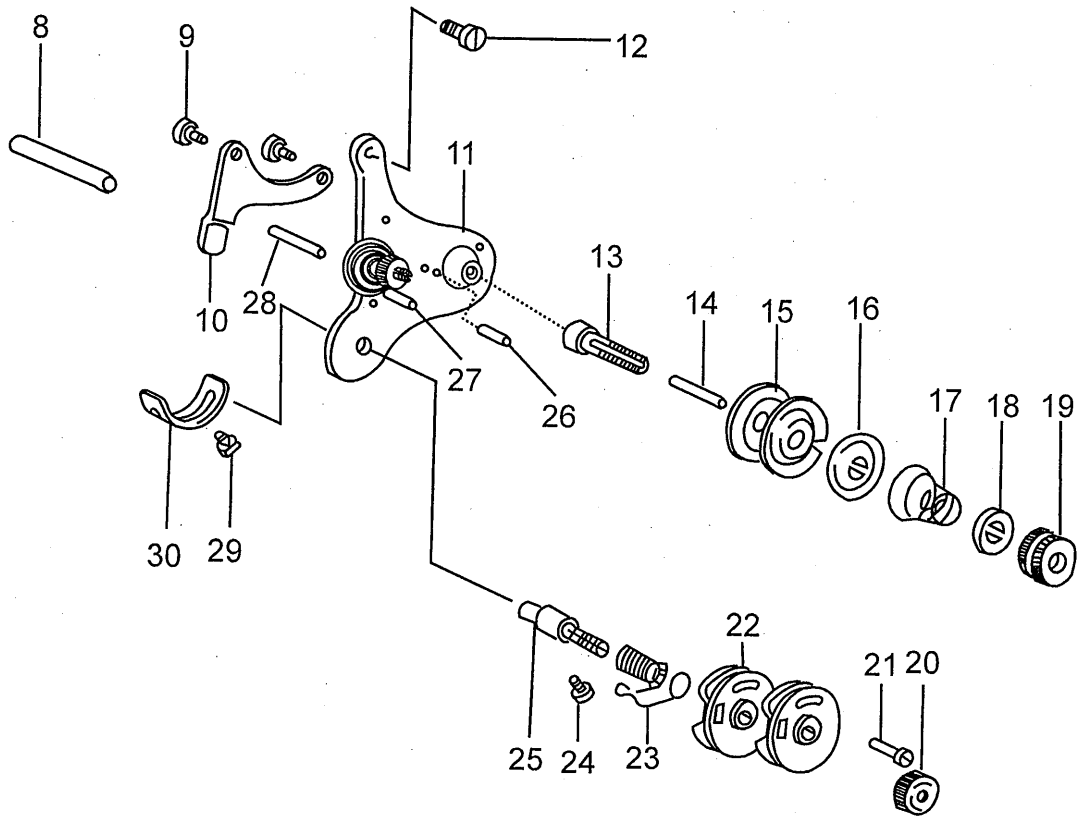
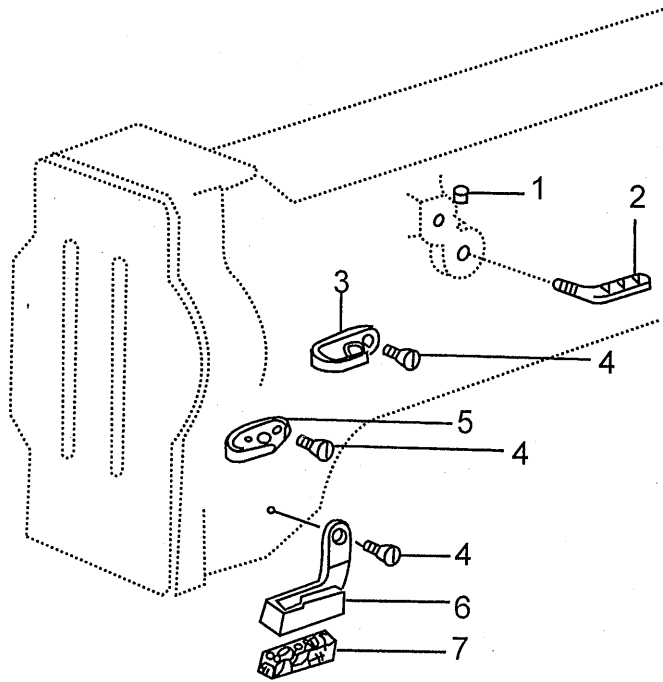
Parts Manual

1



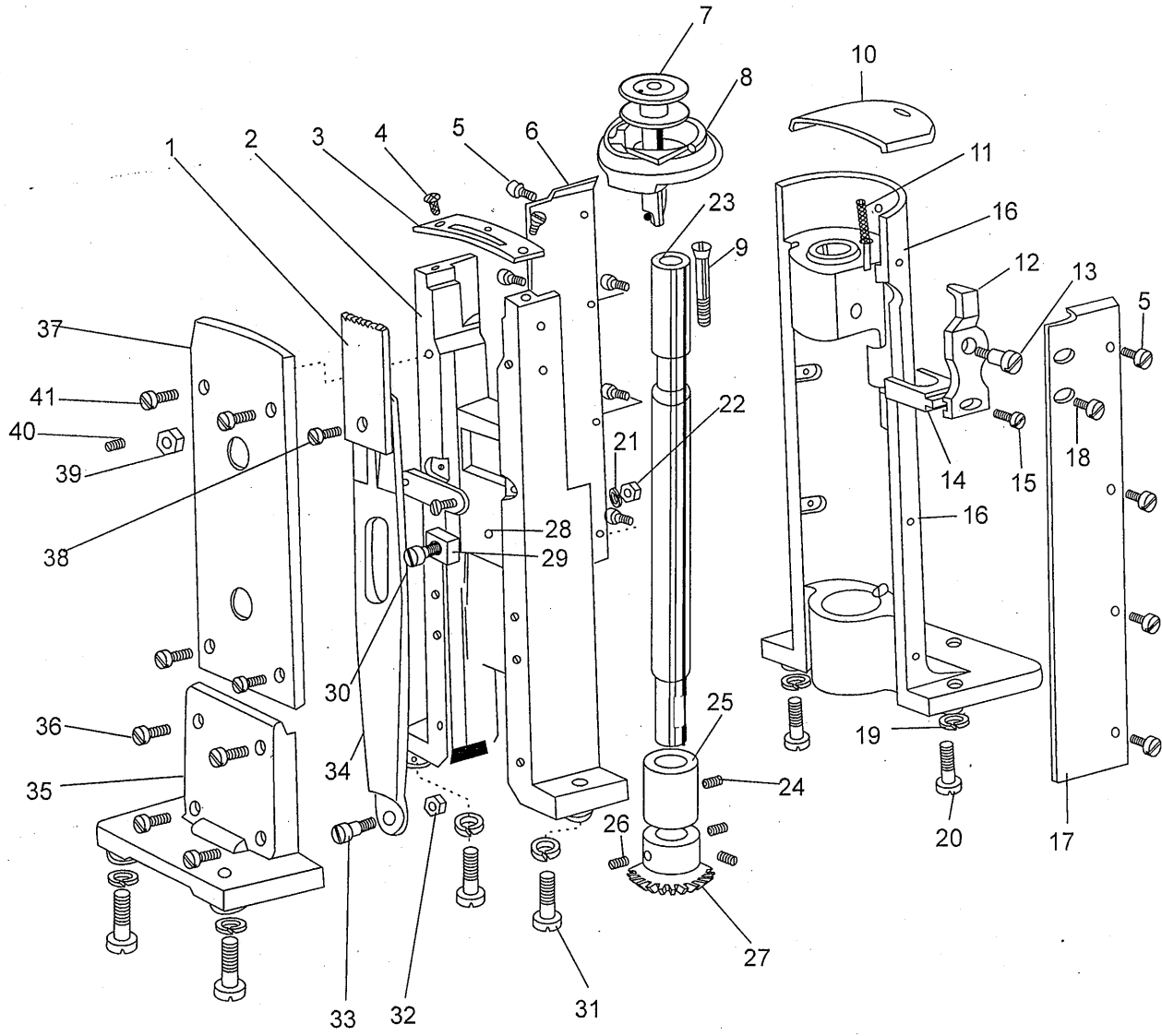
1. Arm

No.	Parts No.	Name	Qt.		Remarks
			Single needle	Twin needle	
1	16WF2-008	Face plate	1	1	
2	16WF2-010	Face plate position pin	1	1	
3	16WF2-009	Face plate screw	1	1	
4	22T1-003C6	Screw	1	1	
5	16WF2-038	Oil shield plate	1	1	
6	16WF2-017	Screw	2	2	
7	16WF2-016	Thread take-up lever guard	1	1	
8	16WF2-003	Rubber plug	1	1	
9	16WF2-048	Thread guide bar	1		
	25WF2-010	Thread guide bar		1	
10	16WF2-022	Screw	1	1	
11	16WF2-023	Washer	1	1	
12	16WF2-021	Upper cover	1	1	
13	16WF2-053	Model plate	1	1	
14		Nail	4	4	
15	16WF2-002	Arm	1	1	
16	16WF2-052	Trade mark	1		
	25WF2-011	Trade mark		1	
17	16WF2-007	Connector	1	1	
18	16WF2-004	Oil cup	3	3	
19	16WF2-001	Bed	1	1	
20	16WF2-019	Oil felt	1	1	
21	16WF2-020	Screw	2	2	
22	16WF2-018	Small oil reservoir	1	1	
23	16WF2-035	Screw	1	1	
24	16WF2-034	Cover	1	1	



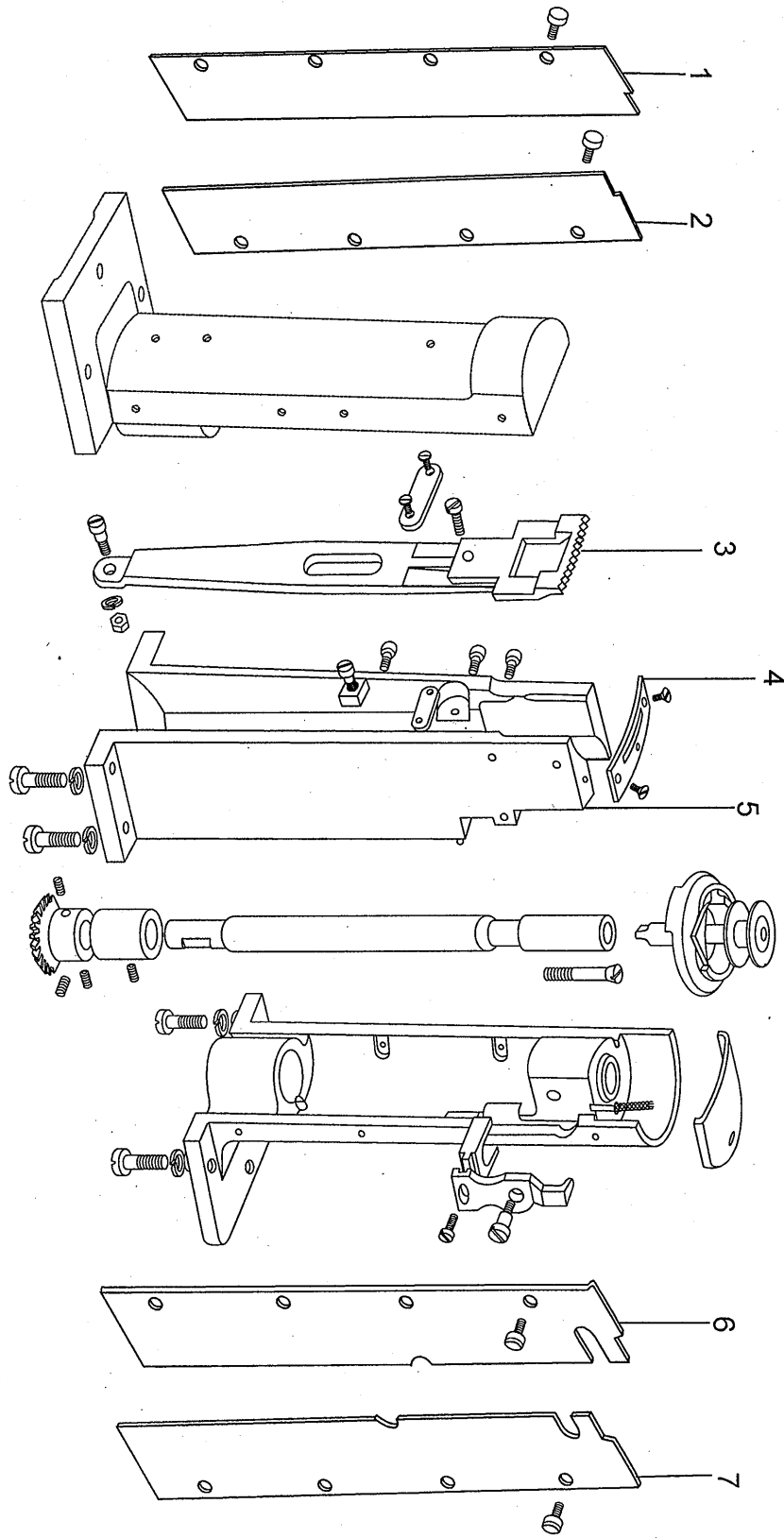
2. Thread tension

No.	Parts No.	Name	Qt.		Remarks
			Single needle	Twin needle	
1	16WF2-025	Screw	1	2	
2	16WF2-024	Three hole thread guide	1	2	
3	16WF2-011	Thread guide (upper)	1	1	
4	16WF2-015	Screw	3	3	
5	16WF2-012	Thread guide (middle)	1		
	25WF2-001	Thread guide (middle)		1	
6	16WF2-013	Thread guide (lower)	1		
		Thread guide (lower)		1	
7	16WF2-014	Oil felt	1	1	
8	16WF2-047	Thread release lever rob	1	1	
9	16WF2-046A16	Screw	2	2	
10	16WF2-046A14	Thread release lever	1	1	
11	16WF2-046A1	Tension plate	1		
	25WF2-009A1	Tension plate		1	
12	16WF2-020	Screw	1	1	
13	16WF2-046A2	Screw	1	2	
14	19WF2-012	Thread tension release pin(short)		1	
15	16WF2-046A6	Thread tension disc	2	4	
16	16WF2-046A5	Thread tension disc	1	2	
17	16WF2-046A4	Spring	1	2	
18		Stop disc	1	2	
19	16WF2-046A3	Nut	1	2	
20	16WF2-046A11	Nut	1	1	
21	16WF2-046A9	Screw	1		
	1WF1-010R	Screw		1	
22	16WF2-046A8	Thread check disc complete	1	2	
23	16WF2-046A7	Thread take-up spring	1		
	19WF2-014	Thread take-up spring		1	
24	16WF2-033	Screw	1	1	
25	16WF2-046A10	Thread take-up spring pin	1		
	16WF2-009A2	Thread take-up spring pin		1	
26	19WF2-011	Thread separator pin (long)	1	1	
27	16WF2-046A12	Thread separator pin (short)	1	1	
28	16WF2-013	Thread release pin (long)	1	1	
29	16WF2-050	Screw	1	1	
30	16WF2-049	Position plate	1	1	



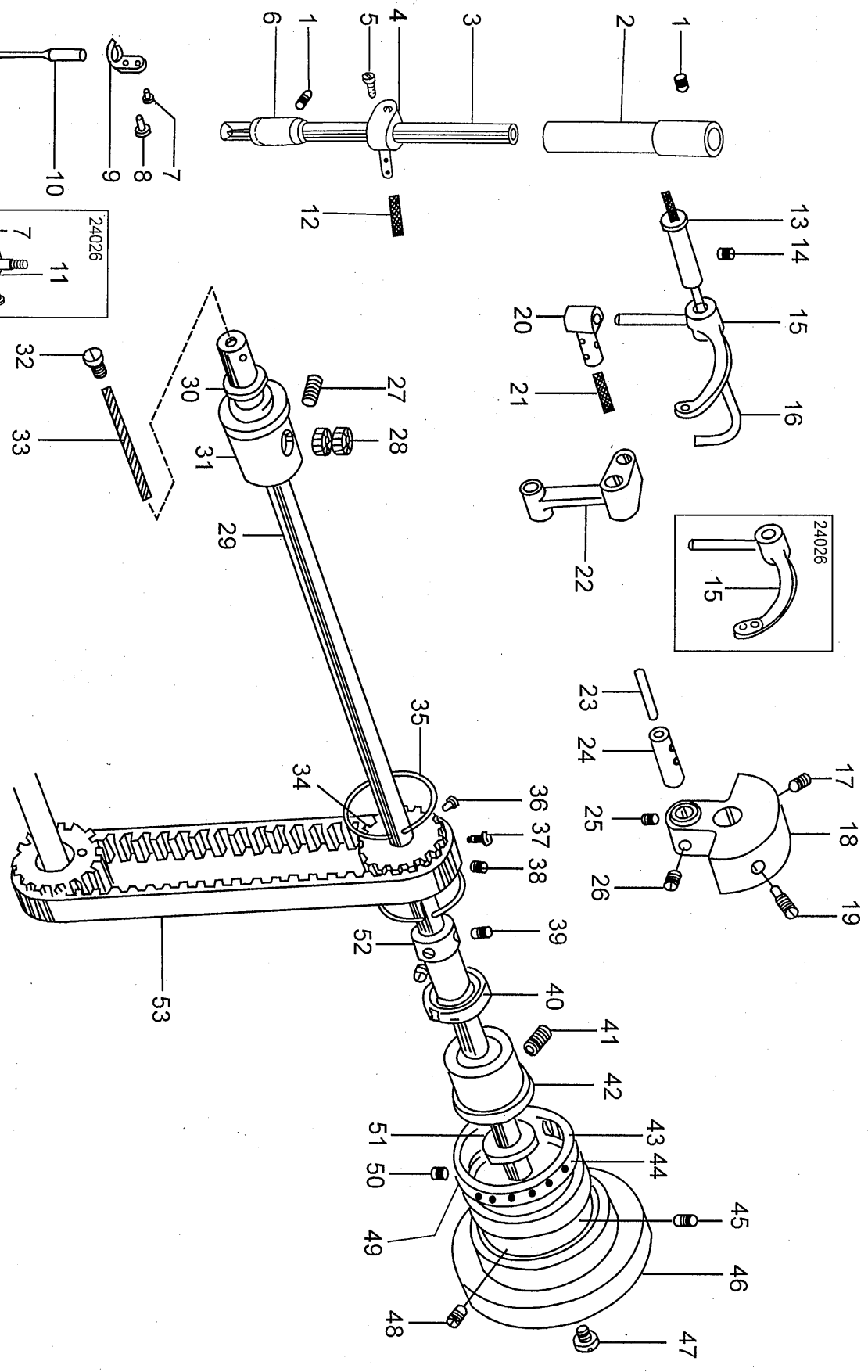
3. Post bed

No.	Parts No.	Name	Qt.		Remarks
			Single needle	Twin needle	
1	16WF3-001	Feed dog	1	1	
	16WF3-004	Feed dog		1	
2	16WF2-040	Post-bed for feed	1		
	25WF2-004	Post-bed for feed		1	
3	16WF2-026	Needle plate	1		
	25WF2-002	Needle plate		1	
4	16WF2-027	Screw	2	2	
5	16WF2-044	Screw	8	16	
6	16WF2-043	Back cover	1		
7	16WF1-063	Bobbin	1	2	
8		Rotating hook	1		
		Rotating hook		2	
9	16WF1-062	Screw	1	2	
10	16WF2-028	Slide plate	1	2	
11	16WF2-030	Oil felt	1	2	
12	16WF1-057	Thread separator	1	2	
13	16WF1-060	Screw	1	2	
14	16WF1-058	Thread separator bracket	1	2	
15	16WF1-059	Screw	1	2	
16	16WF2-030	Post-bed for hook shaft	1	2	
17	16WF2-042	Front cover	1		
18	16WF2-045	Screw	1	3	
19	16WF2-032	Washer	6	8	
20	16WF2-031	Screw	4	4	
21	16WF2-023	Washer	1	1	
22	16WF3-006	Nut	1	2	
23	16WF1-061	Rotating hook shaft	1	2	
24	13WF6-018	Screw	1	2	
25	16WF2-051	Bushing	1	2	
26	16WF1-056	Screw	3	6	
27	16WF1-055	Gear	1	2	
28	16WF3-004	Feed plate slide shaft	1	1	
29	16WF3-003	Slide block	1	2	
30	16WF3-005	Screw	1	2	
31	16WF2-041	Screw	2	4	
32	16WF3-008	Nut	1	2	
33	16WF3-007	Screw	1	2	
34	16WF3-002	Feed plate	1	2	
35	16WF2-029	Support block	1		
36	16WF2-033	Screw	4		
37	16WF2-036	Presser plate	1		
38	16WF2-020	Screw	1		
39	16WF2-021	Nut	1		
40	16WF1-053	Screw	1		
41	16WF2-037	Screw	4		



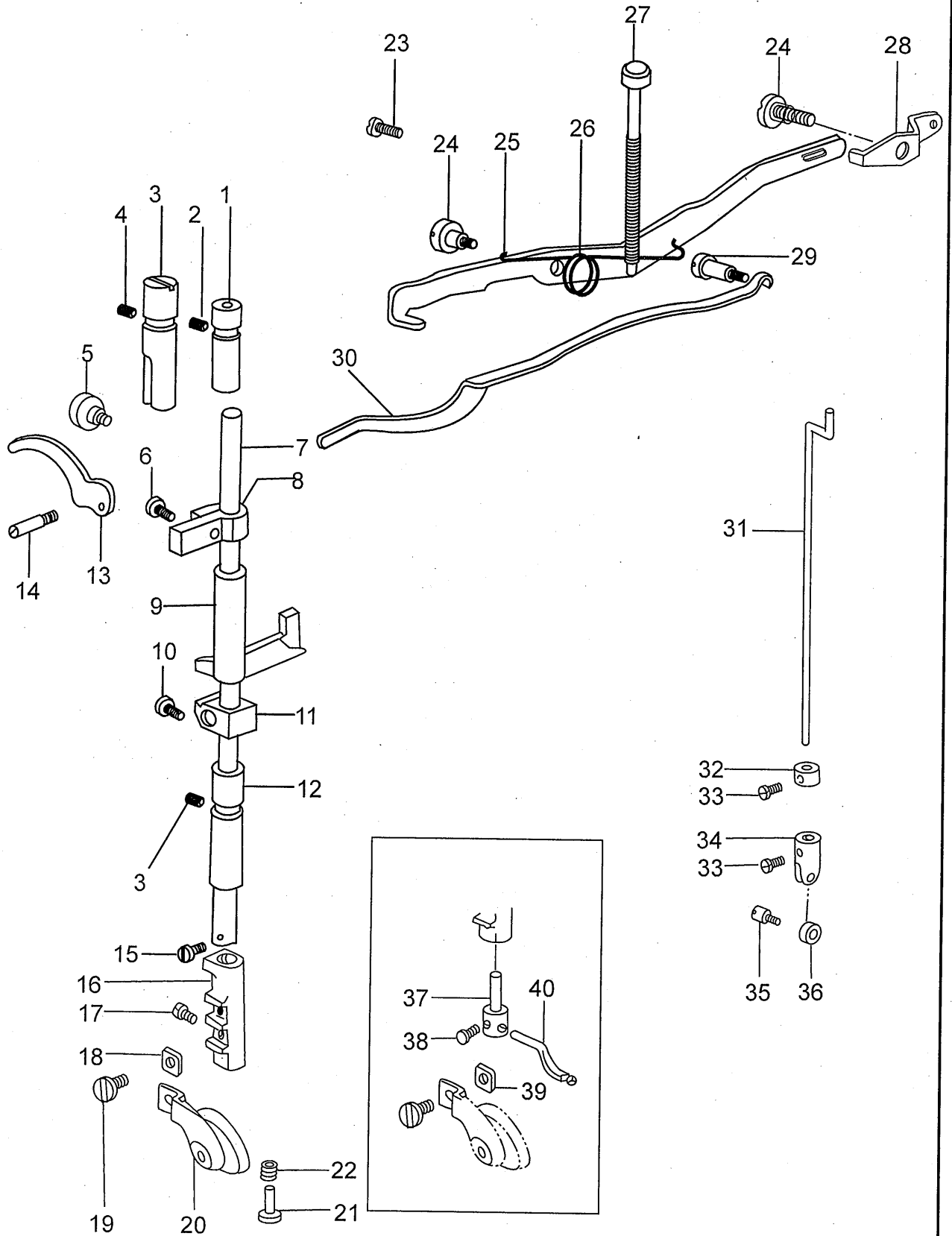
4. Post bed for twin needle

No.	Parts No.	Name	Qt.		Remarks
			Single needle	Twin needle	
1	25WF2-007	Back cover (left)		1	
2	25WF2-008	Back cover (right)		1	
3	25WF3-001	Feed dog		1	
4	25WF2-002	Needle plate		1	
5	25WF2-004	Post bed		1	
6	25WF2-005	Front cover (left)		1	
7	25WF2-006	Front cover (right)		1	
8	25WF3-003	Oil felt		1	
9	25WF3-002	Presser plate		1	



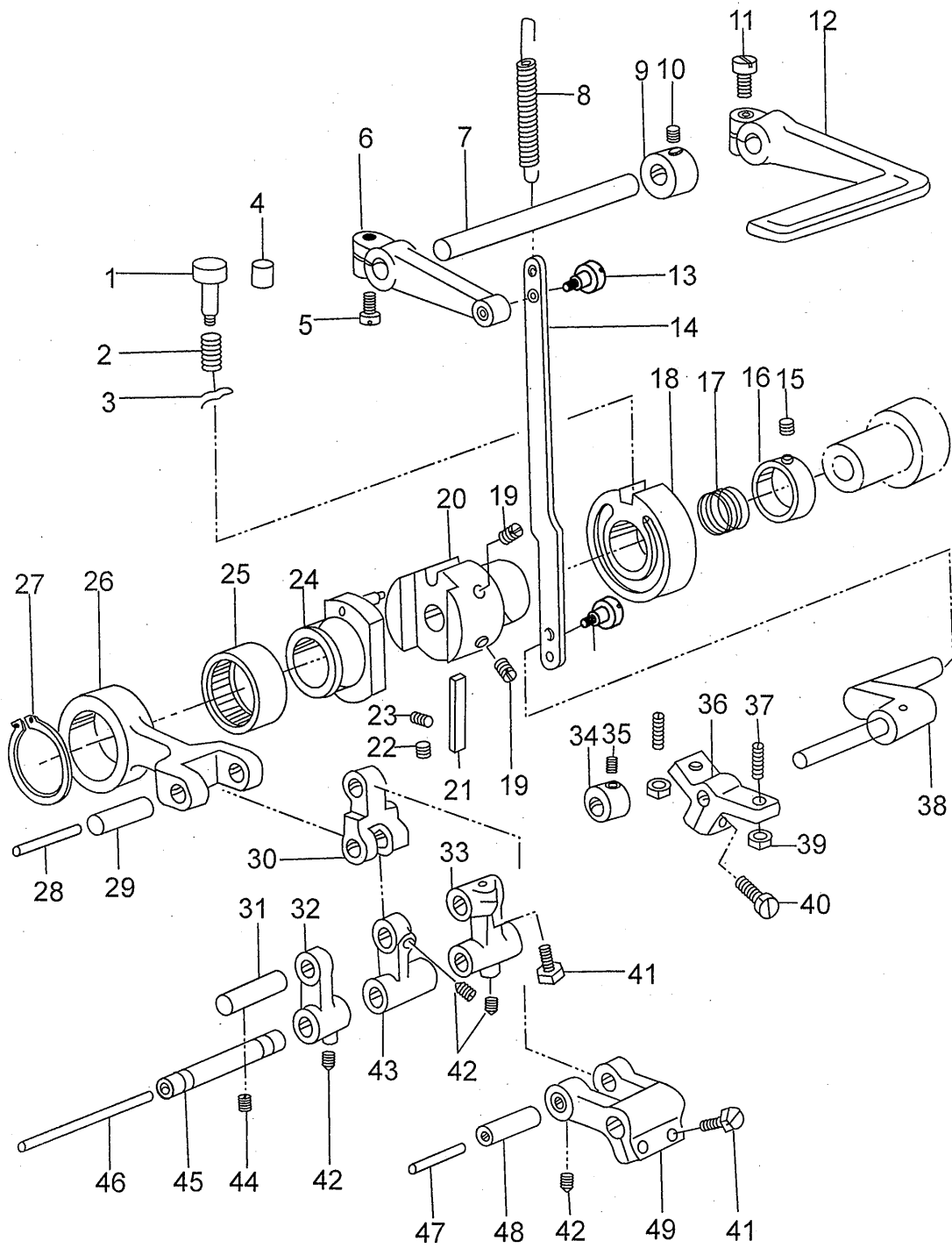
5. Upper shaft and needle thread take-up

No.	Parts No.	Name	Qt.		Remarks
			Single needle	Twin needle	
1	16WF1-004	Screw	2	2	
2	16WF1-002	Bushing (upper)	1	1	
3	16WF1-001	Needle bar	1		
	25WF1-001	Needle bar		1	
4	16WF1-008	Needle bar adaptor	1	1	
5	16WF1-009	Screw	1	1	
6	16WF1-003	Bushing (lower)	1	1	
7	16WF1-007	Screw	1		
	24WF1-003	Screw		2	
8	16WF1-006	Screw	1	1	
9	16WF1-005	Needle bar thread guide	1	1	
10		Needle	1	2	
11	25WF1-002	Needle holder		1	
12	16WF1-009	Felt	1	1	
13	16WF1-010	Pin	1	1	
14	16WF1-011	Screw	1	1	
15	16WF1-012	Thread take-up lever	1		
	25WF1-004	Thread take-up lever		1	
16		Oil wick	1	1	
17	16WF1-019	Screw	1	1	
18	16WF1-018	Needle bar crank	1	1	
19	16WF1-020	Screw	1	1	
20	16WF1-013	Slide block	1	1	
21		Wick	1	1	
22	16WF1-014	Needle bar link	1	1	
23		Oil wick	1	1	
24	16WF1-015	Pin for needle bar crank	1	1	
25	16WF1-017	Screw	1	1	
26	16WF1-016	Screw	1	1	
27	16WF1-016	Screw	1	1	
28	16WF1-025	Oil felt	2	2	
29	16WF1-023	Upper shaft	1	1	
30	16WF1-021	Washer	1	1	
31	16WF1-024	Front bushing	1	1	
32	16WF1-022	Screw	1	1	
33		Oil wick	1	1	
34	16WF1-030	Synchronized pulley	1	1	
35	16WF1-043	SD ring	2	2	
36	16WF1-044	Screw	1	1	
37	16WF1-032	Screw(long)	1	1	
38	16WF1-033	Screw(short)	1	1	
39	16WF1-028	Screw	2	2	
40		Bearing	1	1	
41	16WF1-004	Screw	1	1	
42	16WF1-026	Rear bushing	1	1	
43	16WF1-038	Stitch length ring	1	1	
44	16WF1-064	Stitch length ring belt	1	1	
45	16WF1-036	Screw	1	1	
46	16WF1-035	Balance wheel	1	1	
47	16WF1-040	Screw	1	1	
48	16WF1-037	Screw	1	1	
49		Nail	3	3	
50	16WF1-056	Screw	1	1	
51	16WF1-029	Retaining ring	1	1	
52	16WF1-027	Bushing	1	1	
53	16WF1-034	Synchronous belt	1	1	



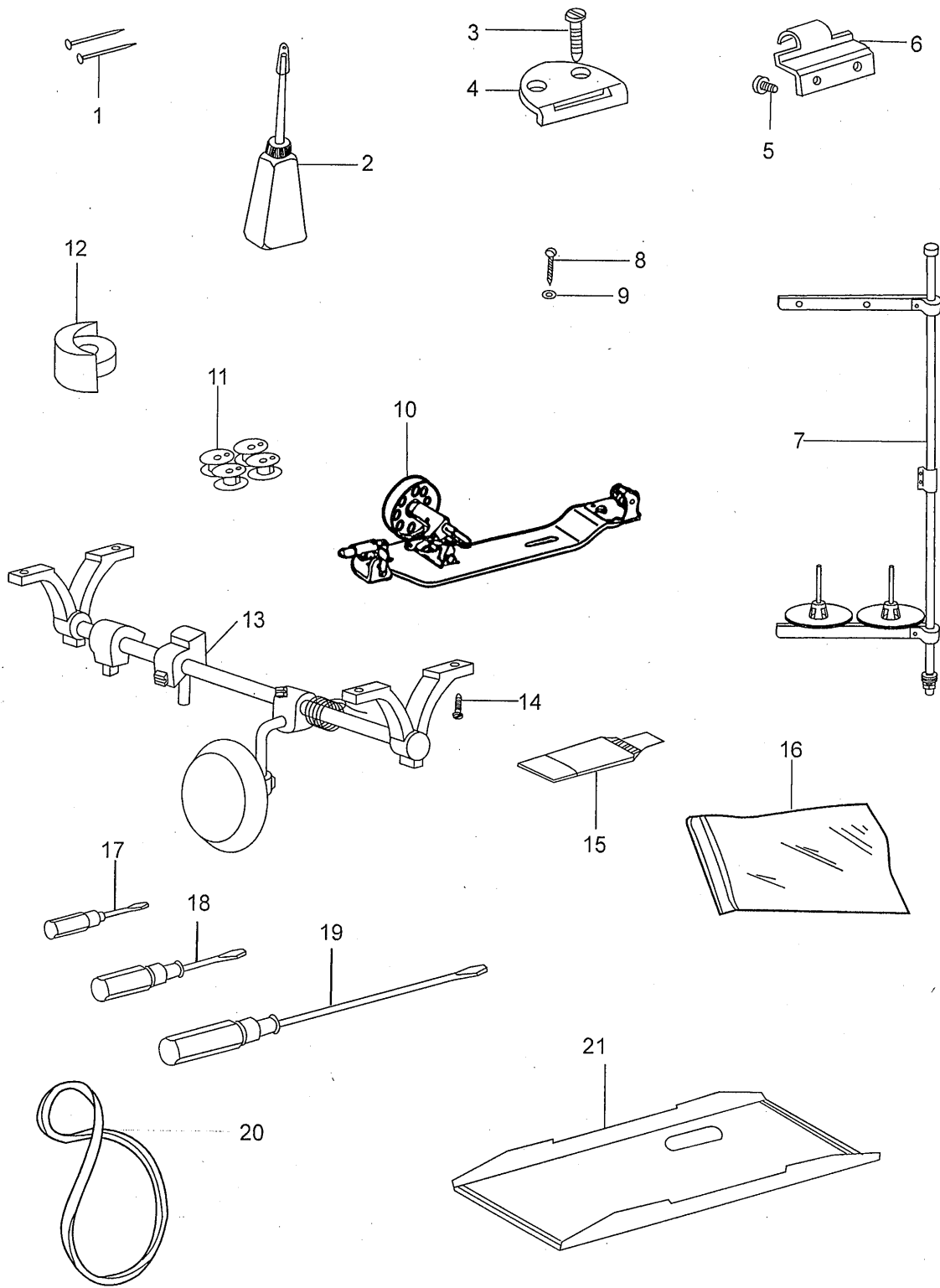
6. Presser foot lifter

No.	Parts No.	Name	Qt.		Remarks
			Single needle	Twin needle	
1	16WF3-025	Screw	3	3	
2	16WF4-020	Position guide	1	1	
3	16WF4-004	Screw	2	2	
4	16WF4-027	Bushing (upper)	1	1	
5	16WF4-017	Screw	1	1	
6	16WF4-022	Screw	1	1	
7	16WF4-019	Presser bar	1	1	
8	16WF4-021	Position guide bracket	1	1	
9	16WF4-018	Bushing	1	1	
10	16WF1-009	Screw	1	1	
11	16WF4-023	Spring bracket	1	1	
12	16WF4-005	Bushing (lower)	1	1	
13	16WF4-002	Presser bar lifter	1	1	
14	16WF4-001	Presser bar lifter shaft	1	1	
15	16WF4-025	Position pin	1	1	
16	16WF4-026	Bushing	1	1	
17	16WF1-007	Screw	2	2	
18	16WF4-031	Washer	1	1	
19	16WF4-032	Screw	1	1	
20	16WF4-030	Roller complete	1	1	
21	16WF4-029	Spring pin	1		
22	16WF4-028	Spring	1		
23	16WF4-003	Screw	1	1	
24	16WF3-059	Screw	2	2	
25	16WF4-004	Spring	1	1	
26	16WF4-006	Knee lifting lever	1	1	
27	16WF4-016	Screw	1	1	
28	16WF4-007	Knee lifting crank	1	1	
29	16WF4-008	Screw	1	1	
30	16WF4-009	Presser bar spring plate	1	1	
31	16WF4-010	Lifting lever connecting rod	1	1	
32	16WF4-011	Bushing	1	1	
33	16WF4-012	Screw	1	1	
34	16WF4-013	Lifting lever connecting rod joint	1	1	
35	16WF4-015	Screw	1	1	
36	16WF4-014	Slide wheel	1	1	
37	25WF4-001	Support		1	
38	25WF4-004	Screw		1	
39	25WF4-003	Washer		1	
40	25WF4-002	Presser foot		1	



7. Reverse feed

No.	Parts No.	Name	Qt.		Remarks
			Single needle	Twin needle	
1	16WF3-045	Button	1	1	
2	16WF3-046	Spring	1	1	
3	16WF3-047	Spring clamp	1	1	
4	16WF3-065	Rubber plug	2	2	
5	16WF3-060	Screw	1	1	
6	16WF3-061	Crank	1	1	
7	16WF3-063	Reverse feed shaft	1	1	
8	16WF3-062	Spring	1	1	
9	16WF3-028	Ring	1	1	
10	1WF5-019	Screw	1	1	
11	16WF3-020	Screw	1	1	
12	16WF3-011	Reverse feed lever	1	1	
13	16WF3-059	Screw	2	2	
14	16WF3-058	Reverse feed link	1	1	
15	16WF1-028	Screw	2	2	
16	16WF3-044	Collar	1	1	
17	16WF3-043	Spring	1	1	
18	16WF3-042	Eccentric adjusting dial	1	1	
19	16WF3-040	Screw	2	2	
20	16WF3-037	Adjusting block	1	1	
21	16WF3-041	Adjusting slice	1	1	
22	16WF3-039	Screw	2	2	
23	16WF3-038	Screw	2	2	
24	16WF3-036	Feed cam	1	1	
25		Bearing	1	1	
26	16WF3-035	Forked link	1	1	
27		Ring	1	1	
28		Oil wick	1	1	
29	16WF3-031	Connecting pin	1	1	
30	16WF3-033	Forked link	1	1	
31	16WF3-050	Pin(left)	1	1	
32	16WF3-049	Link(left)	1	1	
33	16WF3-051	Link(right)	1	1	
34	16WF3-057	Collar	1	1	
35	16WF1-028	Screw	2	2	
36	16WF3-054	Crank	1	1	
37	16WF3-055	Screw	2	2	
38	16WF3-024	Shaft	1	1	
39	16WF3-056	Nut	2	2	
40	16WF3-030	Screw	1	1	
41	16WF3-030	Screw	1	1	
42	16WF3-032	Screw	3	3	
43	16WF3-048	Link(middle)	1	1	
44	16WF1-053	Screw	1	1	
45	16WF3-034	Pin	1	1	
46		Oil wick	1	1	
47		Oil wick	1	1	
48	16WF3-031	Connecting pin	1	1	
49	16WF3-029	Crank	1	1	



9. Accessory

No.	Parts No.	Name	Qt.		Remarks
			Single needle	Twin needle	
1	33TF-004	Nail	8	8	
2	33TF-011	Oil pot	1	1	
3	16WF6-004	Screw(1)	4	4	
4	16WF6-003	Hinge(1)	2	2	
5		Screw(2)	4	4	
6	16WF3-002	Hinge(2)	2	2	
7	33TF-019	Thread holder	1		
	4F-007	Thread holder		1	
8	33TF-017	Wooden screw	2	2	
9	33TF-018	Washer	2	2	
10	S14420020	Thread winder	1	1	
11	16WF1-063	Bobbin	4	8	
12	13WF7-005	Cushion	4	4	
13	16WF5-005	Knee lifter complete	1	1	
14		Wooden screw	4	4	
15	13F-001	Needle	1	1	
16	33TF-010	Parts bag	1	1	
17	33TF-014	Screwdriver(small)	1	1	
18	33TF-013	Screwdriver	1	1	
19	33TF-012	Screwdriver(big)	1	1	
20	16F-001	Belt	1	1	
21	16WF5-001	Oil reservoir	1	1	





MAIN OFFICE
400 VETERANS BLVD.
CARLSTADT, NJ 07072
TEL: 212-741-7788
FAX: 212-741-7787

MIAMI OFFICE
4077 N.W. 79TH AVE.
MIAMI, FL 33166
TEL: 305-471-0200
FAX: 305-471-0243

L.A. OFFICE
2320 SOUTH HILL ST.
LOS ANGELES, CA 90007
TEL: 213-745-8844
FAX: 213-745-8855

WWW.CONSEW.COM