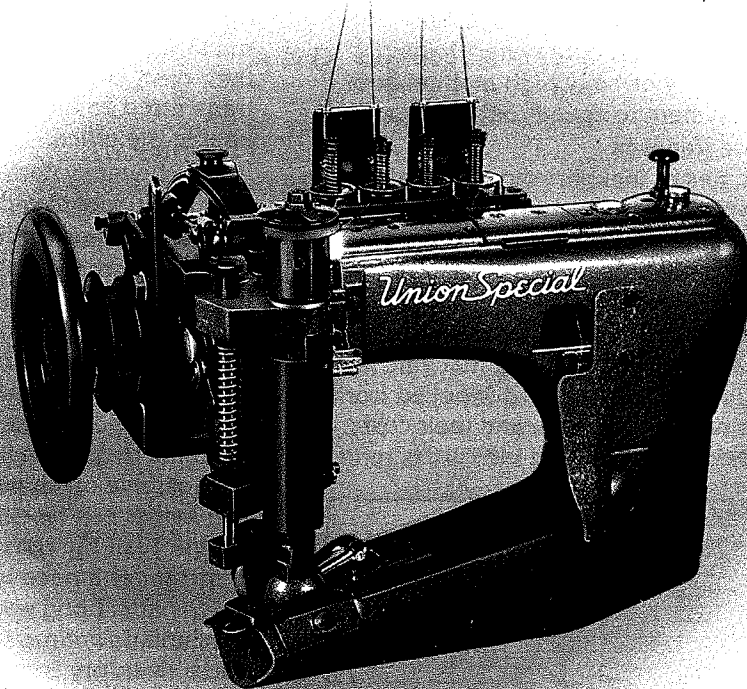




Union Special[®]
LEWIS[®] • COLUMBIA[®]

INDUSTRIAL
SEWING
MACHINES



STYLE
35700CP

CLASS 35700

HIGH SPEED
FEED-OFF-THE-ARM MACHINE
WITH
UPPER DRIVEN ROLLER FEED

CATALOG
No.
T95V

UNION SPECIAL CORPORATION

CHICAGO

Catalog No. T95 V
(Supplement to Catalog No. 95 W)

INSTRUCTIONS
FOR
ADJUSTING AND OPERATING

LIST OF PARTS

CLASS 35700

Style
35700 CP

First Edition

Copyright 1967
by
Union Special Corporation
Rights Reserved in All Countries

UNION SPECIAL CORPORATION
INDUSTRIAL SEWING MACHINES
CHICAGO

March, 1982

Printed in U. S. A.

IDENTIFICATION OF MACHINE

Each UNION SPECIAL machine is identified by a Style number which is stamped into the name plate on the machine. Style numbers are classified as standard and special. Standard Style numbers have one or more letters suffixed, but never contain the letter "Z". Example: "Style 35700 CP". Special Style numbers contain the letter "Z". When only minor changes are made in a standard machine, a "Z" is suffixed to the standard Style number. Example: "Style 35700 CPZ".

Styles of machines similar in construction are grouped under a class number which differs from the style number, in that it contains no letters. Example: "35700".

APPLICATION OF CATALOG

This catalog is a supplement to Catalog No. 95 W and should be used in conjunction therewith. Only those parts used on Style 35700 CP, but not on Style 35800 DQ are illustrated and listed at the back of this catalog. On the page opposite the illustration will be found a listing of the parts with their part numbers, description and the number of pieces required. Numbers in the first column are reference numbers only, and merely indicate the position of that part in the illustration. Reference numbers should never be used in ordering parts. Always use the part number listed in the second column.

This catalog applies specifically to the standard Style of machine as listed herein. It can also be applied with discretion to some Special Styles of machines in Class 35700. References to directions, such as right, left, front, back, etc., are given from the operator's position while seated at the machine. Operating direction of handwheel is counterclockwise.

STYLE OF MACHINE

Feed-Off-The-Arm High Speed, Low Throw Machines, with Upper Feed Roller, Two Needles, Left Needle in Front, Light Weight Presser Bar Mechanism, Adjustable Looper Avoid Motion, Periphery of Cylinder at Needle Bar is 6 1/2 Inches, Space in Front of Needles is 8 Inches, Single Disc Take-ups for Looper and Needle Threads, Automatic Enclosed Type Oiling System and Filter type Oil Return Pump, Visual Sight Oil Action and Supply Gauges.

35700 CP For double stitch felling on shirts and other garments made from light to medium weight koratron and durable press material. Standard gauges Nos. 12 and 16. Seam Specification 401-LSc-2. Maximum recommended speed 5000 R.P.M.

NEEDLES

Each needle has both a type and size number. The type number denotes the kind of shank, point, length, groove, finish and other details. The size number, stamped on the needle shank, denotes largest diameter of blade, measured midway between shank and eye. Collectively, type and size number represent the complete symbol which is given on the label of all needles packaged and sold by Union Special.

Selection of proper needle size should be determined by the size of thread used. Thread should pass freely through the needle eye in order to produce a good stitch formation.

NEEDLES (Continued)

The standard recommended needle for Style 35700 CP is Type 108 GHS. It is a round shank, round point, extra short, double groove, struck groove, ball eye, spotted, ball point, chromium plated and is available in sizes 070/027, 075/029, 080/032, 090/036, 100/040, 110/044, 125/049.

To have needle orders promptly and accurately filled, an empty package, a sample needle, or the type and size number should be forwarded. Use description on label. A complete order would read: "1000 Needles, Type 108 GHS, Size 080/032".

ORDERING OF REPAIR PARTS

ILLUSTRATIONS

The arrangement of this catalog is to facilitate easy and accurate ordering of replacement parts for Style 35700 CP machines.

Two exploded view plates cover the differences between the standard Style listed in this catalog and Style 35800 DQ covered in Catalog No. 95 W. The parts being aligned as close as possible to their assembled position. On the page opposite the illustration will be found a listing of the parts with their part numbers, descriptions and the number of pieces required in the particular view being shown.

Numbers in the first column are reference numbers only, and merely indicate the position of the part in the illustration. Reference numbers should never be used in ordering parts. Always use the part number listed in the second column. Each exploded view plate carries a reference number for each part available for sale.

Sub-assemblies, which are sold complete, or by separate part, are in a bracket or a box on the exploded view plate. Component parts of sub-assemblies, which can be furnished for repairs, are indicated by indenting their descriptions under the description of the main sub-assembly. Example:

15	29103 H	Feed Rocker and Looper Avoid Eccentric Assembly -----	1
16	22587 E	Screw -----	2
17	22764	Spot Screw -----	1
18	88	Set Screw -----	1

It will be noted in the above example that the eccentric and bearing are not listed. The reason is that replacement of these parts individually is not recommended, so the complete sub-assembly should be ordered.

IDENTIFYING PARTS

Where construction permits, each part is stamped with its part number. On some of the smaller parts, and on those where construction does not permit, an identification letter is stamped in to distinguish the part from similar ones.

Part numbers represent the same part, regardless of catalog in which they appear.

IMPORTANT! ON ALL ORDERS, PLEASE INCLUDE PART NAME AND STYLE OF MACHINE FOR WHICH PART IS ORDERED.

USE GENUINE REPAIR PARTS

Success in the operation of these machines can be secured only with genuine repair parts as furnished by the Union Special Corporation, its subsidiaries and authorized distributors. They are designed according to the most approved scientific principles, and are made with utmost precision. Maximum efficiency and durability are assured.

TERMS

Prices are net cash and subject to change without notice. All shipments are forwarded f.o.b. shipping point. Parcel Post shipments are insured unless otherwise directed. A charge is made to cover postage and insurance.

OILING AND THREADING

The oil has been drained from the machine before shipping, and the reservoirs must be filled before beginning to operate. Use a straight mineral oil with a Saybolt viscosity of 90 to 125 seconds at 100° Fahrenheit.

Oil is filled at caps "G" and "H" in the accompanying oiling and threading diagram. The level is checked at the two sight gauges "J" and "K". One is located at the front of the cylinder and the other on the right side of the main frame under the foot lifter lever. Maintain the oil level between the red lines of the gauges.

The machine is equipped with a continuous running rotary driven oil pump. The action of the oil can be observed through the lucite windows "L" and "M" in the front and back top covers. When starting a new machine after filling the reservoirs, or when beginning to operate a machine that has been idle for some time, it may be necessary to prime the pump.

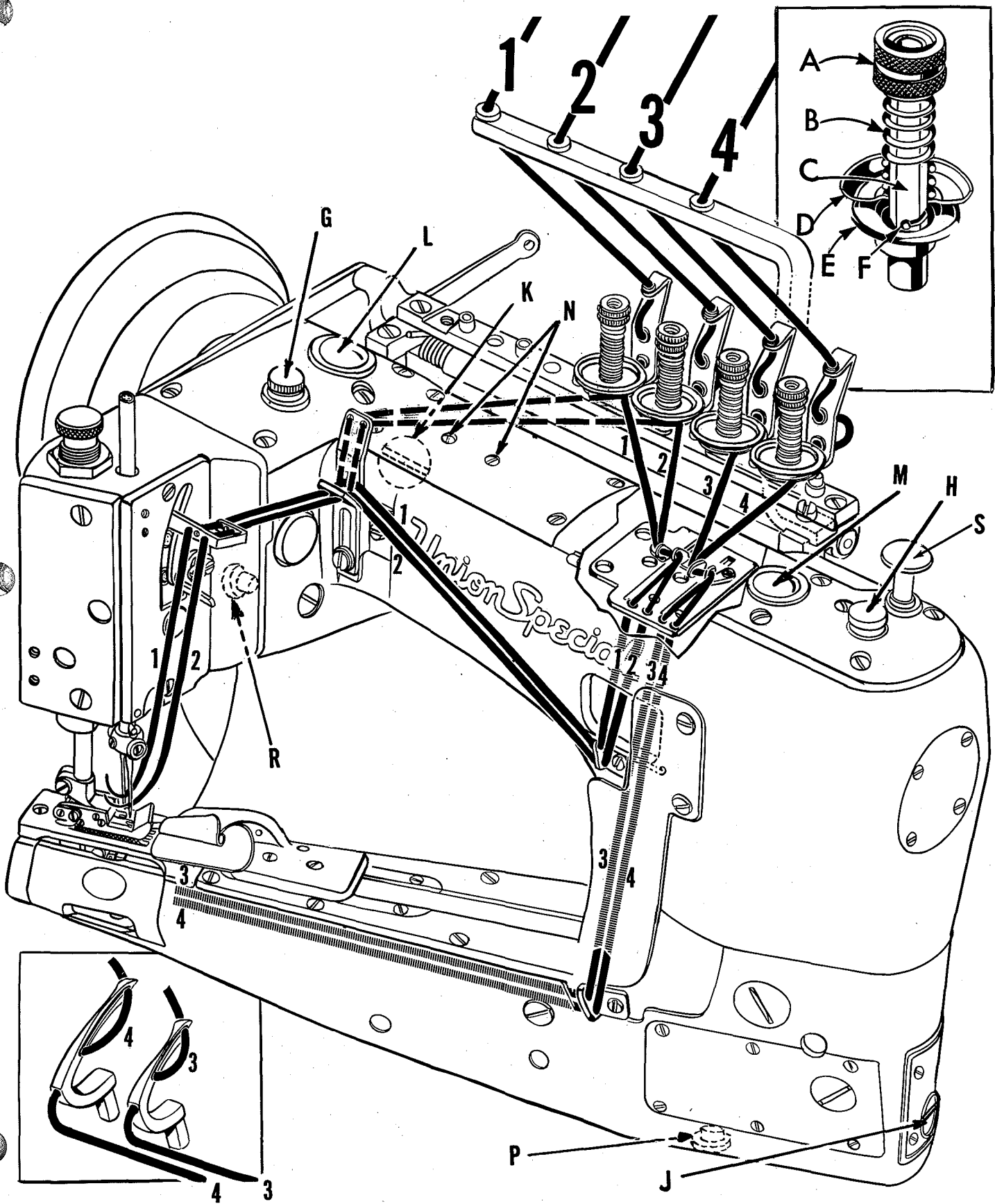
To do this, remove the two plug screws "N". Apply oil from an oil can to these holes and operate machine until bubbling can be observed at the windows. Replace screws. If oil does not bubble when machine is running, the circulating pump is inoperative.

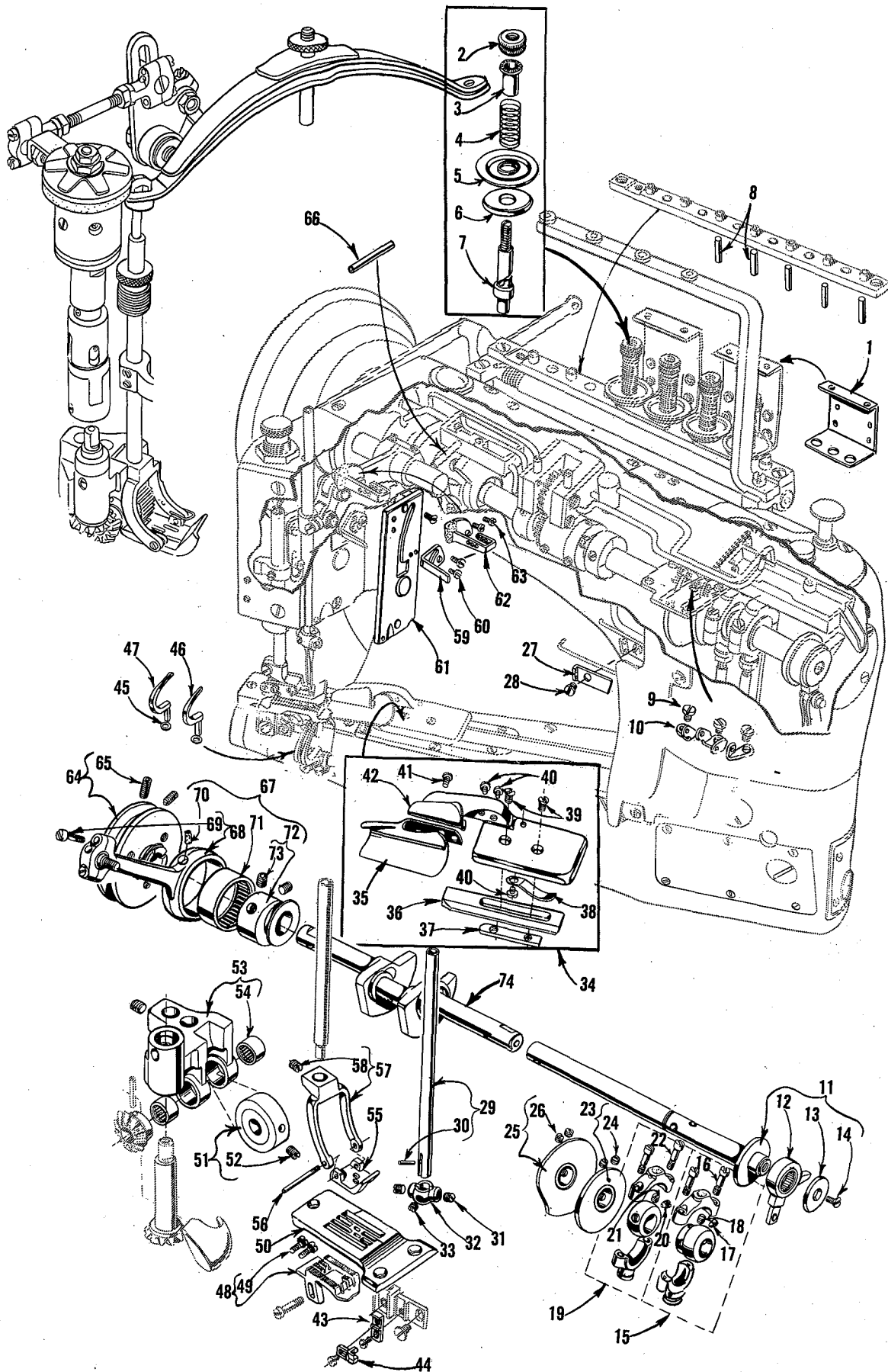
Oil may be drained from the machine at two places, "P" and "R". One plug screw is located in the bottom of the cylinder and the other at the back of the main frame below the handwheel.

The drawing also shows the manner in which machine Style 35700 CP is threaded. The needle threads as they come from the tension discs is indicated by the broken lines; the needle thread take-up is not used.

Keep the threads in the slots "F" in the tension posts "C" and between the tension discs "D" and "E". Avoid crossing threads as much as possible. Tension on the needle and looper threads is regulated by tension nuts "A".

A convenient means for threading the looper has been provided. When loopers are at the left end of their travel, press the knob "S" and loopers will back out of position, leaving them easily accessible. After threading, push loopers back into position.





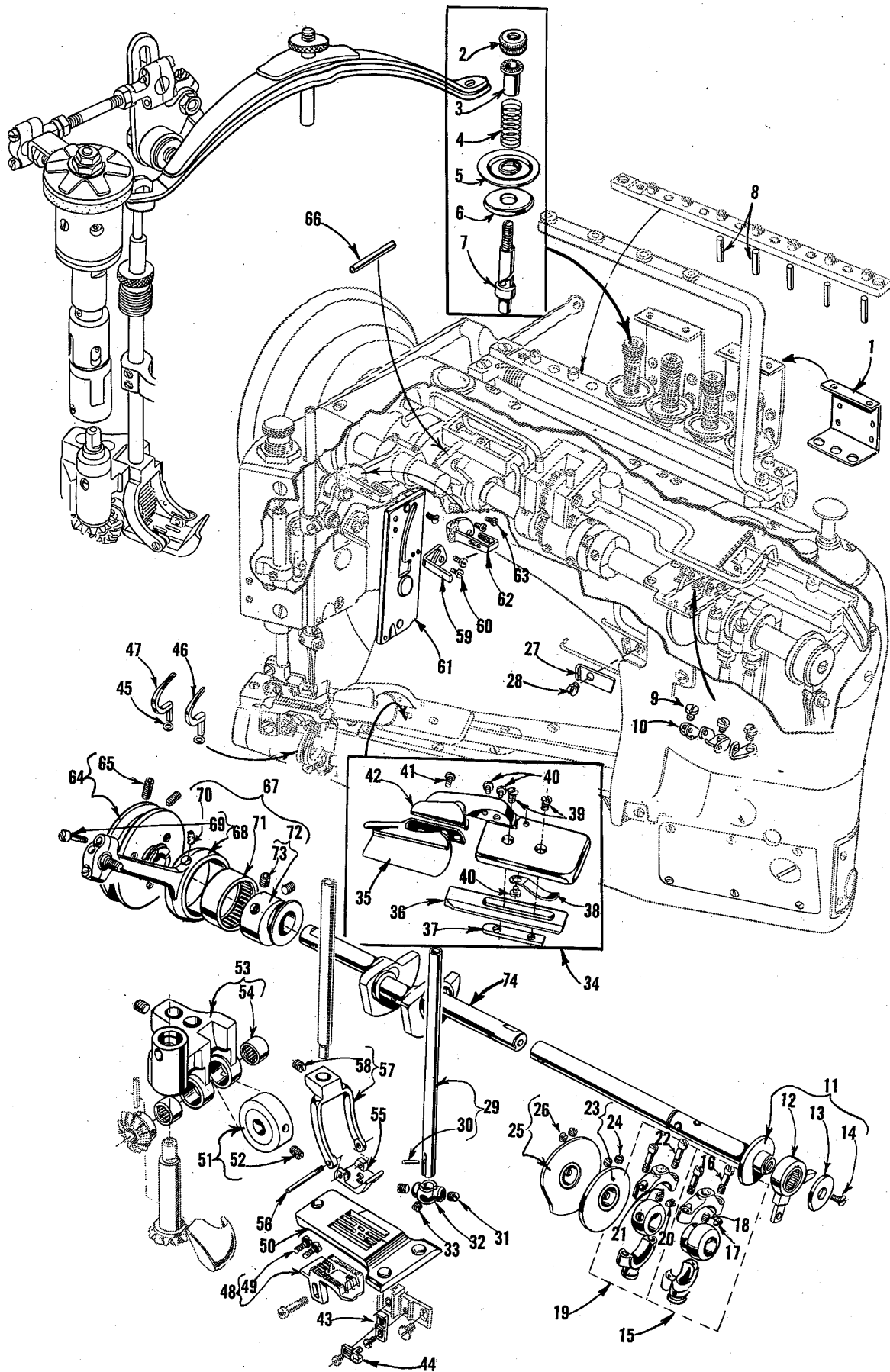
The parts illustrated on pages 8 and 10, and described on this page and page 11 represent the parts that are used on Style 35700 CP, but not used on Style 35800 DQ.

Parts shown in phantom views and bearing no reference numbers are common to Styles 35700 CP and 35800 DQ.

Use Cat. No. 95 W (Style 35800 DQ) for all parts not illustrated or described in this catalog.

Ref. No.	Part No.	Description	Amt. No.
1	36292	Tension Thread Eyelet -----	2
2	108	Tension Nut -----	4
3	107	Tension Post Ferrule -----	4
4	51292 F-4	Tension Spring, looper -----	2
	51292 F-5	Tension Spring, needle -----	2
5	35792	Tension Disc, large -----	4
6	109	Tension Disc, small -----	4
7	35792 H	Tension Post -----	4
8	35792 K	Tension Disc Release Pin -----	5
9	28	Screw, for cast-off plate eyelet -----	1
10	35772 R	Cast-off Plate Eyelet -----	1
11	35722 AE	Main Shaft Assembly -----	1
*12		Connection (See Note) -----	1
13	35895 V	Washer -----	1
14	22526	Screw -----	1
15	29103 H	Feed Rocker and Looper Avoid Eccentric Assembly -----	1
16	22587 E	Screw -----	2
17	22764	Spot Screw -----	1
18	88	Set Screw -----	1
19	29103 S	Feed Lift Eccentric Assembly -----	1
20	22764	Spot Screw -----	1
21	88	Set Screw -----	1
22	22587 E	Screw -----	2
23	35723 E	Looper Thread Take-up -----	1
24	22580 D	Screw -----	2
25	35723 F	Needle Thread Take-up -----	1
26	22580 D	Screw -----	2
27	35756 E	Needle Thread and Looper Thread Guide -----	1
28	87 U	Screw, for needle thread and looper thread guide -----	1
29	35717 E-8	Needle Bar, marked "DX-8", for No. 8 gauge machines -----	1
	35717 E-12	Needle Bar, marked "DX-12", for No. 12 gauge machines -----	1
	35717 E-16	Needle Bar, marked "DX-16", for No. 16 gauge machines -----	1
30	50 J-16	Stop Pin -----	1
31	98	Screw, for needle holder -----	2
32	51418-16	Needle Holder, marked "D-16", for all gauges -----	1
33	89	Screw, for needle holder -----	1
34 to 74		See following page	

*NOTE: Needle bearings in looper drive connection are fitted to mainshaft at assembly, for proper oil clearance. Flange of mainshaft No. 35722 AE is marked with 1 to 6 lines, denoting proper Group Size of corresponding needle bearing to be assembled. When ordering repair part, order should read 35853 AL (Group #), specify number of lines ground into flange of mainshaft.



Ref. No.	Part No.	Description	Amt. Req.
1 to 33		See preceding page	
34	23420 BY-8-1/32	Double Lap Seam Feller, for No. 8 guage machines-----	1
	23420 BY-12-1/16	Double Lap Seam Feller, for Nos. 12 and 16 gauge machines-----	1
35	23422 BY-8-1/32	Lower Scroll, for No. 23420 BY-8-1/32-----	1
	23422 BY-12-1/16	Lower Scroll, for No. 23420 BY-12-1/16-----	1
36	23423 V	Sliding Base-----	1
37	23423 W	Sliding Base Clamp-----	1
38	23424 Y	Tension Spring-----	1
39	22766	Screw-----	2
40	22798	Adjusting Screw-----	3
41	605 A	Screw-----	1
42	23421 BY-8-1/32	Upper Scroll and Base, for No. 23420 BY-8-1/32-----	1
	23421 BY-12-1/16	Upper Scroll and Base, for No. 23420 BY-12-1/16-----	1
43	35835 A	Needle Guard Holder-----	1
44	35725 D	Needle Guard-----	1
45	21210 B	Collar, for loopers-----	2
46	35708 AK	Looper, front-----	1
47	35709 AK	Looper, back-----	1
48	35705 AP-8	Feed Dog, marked "CR-8", for No. 8 gauge machines-----	1
	35705 AP-12	Feed Dog, marked "CR-12", for Nos. 12 and 16 gauge machines-----	1
49	22738 A	Screw-----	2
50	35724 AP-8	Throat Plate, marked "BS-8", for No. 8 gauge machines-----	1
	35724 AP-12	Throat Plate, marked "BS-12", for No. 12 gauge machines-----	1
	35724 AP-16	Throat Plate, marked "BS-16", for No. 16 gauge machines-----	1
51	35726 S	Feed Roller-----	1
52	22560 B	Set Screw-----	1
53	35873 AB	Feed Roller Frame-----	1
54	660-303	Needle Bearing-----	2
55	35730 AR-8	Presser Foot, for No. 8 gauge machines--	1
	35730 AR-12	Presser Foot, for No. 12 gauge machines--	1
	35730 AR-16	Presser Foot, for No. 16 gauge machines--	1
56	22799 W	Presser Foot Hinge Screw-----	1
57	35774	Presser Foot Fork-----	1
58	22894 C	Set Screw-----	1
59	35770 H	Needle Thread Take-up-----	1
60	22768	Screw, for needle thread take-up-----	2
61	35889 U	Detachable Head Cover, front-----	1
62	35764 D	Needle Lever Thread Eyelet-----	1
63	87 U	Screw, for needle lever thread eyelet-----	2
64	35821 D	Pulley-----	1
65	22894 E	Screw-----	2
66	35897 BX	Back Reservoir Outlet Oil Tube-----	1
67	29727 C	Connecting Rod and Clutch Driving Eccentric Assembly-----	1
68	35877 B	Connecting Rod-----	1
69	97 A	Screw-----	2
70	666-124	Oil Wick-----	1
71	660-244	Needle Bearing-----	1
72	35777	Eccentric-----	1
73	22894 C	Screw-----	2
74	35722 AD	Crankshaft-----	1



Union Special[®]
INDUSTRIAL SEWING MACHINES

UNION SPECIAL maintains sales and service facilities throughout the world. These offices will aid you in the selection of the right sewing equipment for your particular operation. Union Special representatives and service men are factory trained and are able to serve your needs promptly and efficiently. Whatever your location, there is a Union Special Representative to serve you. Check with him today.

ATLANTA, GA.

BOSTON, MASS.

CHICAGO, ILL.

DALLAS, TEXAS

LOS ANGELES, CAL.

NEW YORK, N. Y.

PHILADELPHIA, PA.

MONTREAL, CANADA

TORONTO, CANADA

BRUSSELS, BELGIUM

LEICESTER, ENGLAND

LONDON, ENGLAND

PARIS, FRANCE

STUTTGART, GERMANY

Representatives and distributors in all important industrial cities throughout the world.

UNION SPECIAL CORPORATION
400 N. FRANKLIN ST., CHICAGO, ILL. 60610