

**OPERATING &  
ADJUSTMENT MANUAL**

**INCLUDING  
PARTS LIST**

**CONSEW**

**MODEL 261B**

**CONSOLIDATED SEWING MACHINE CORP.**



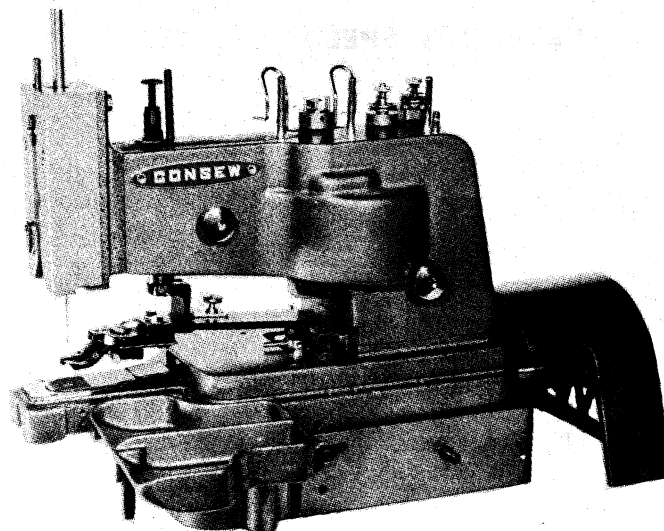
*Ref*

**OPERATING &  
ADJUSTMENT MANUAL**

**INCLUDING  
PARTS LIST**

**CONSEW**

**MODEL 261B**



## **DESCRIPTION OF MACHINE**

Consew Model 261B is a single thread chain stitch machine for attaching buttons with a total of 16 stitches including a cross-over and a knotting stitch. Adjustments are possible to accommodate buttons with holes from  $7/64$  to  $7/32$  apart. Standard equipment provides for a button clamp for sewing 2 and 4-hole flat buttons from 20 to 45 ligne.

The Consew Model 261B can be equipped for sewing self shank buttons, metal eyelet shank buttons, leather and imitation leather shank buttons in sizes up to 45 ligne.

When sewing flat buttons, the total thickness of material and button must not exceed  $5/8''$ .

## **OPERATING SPEED**

The sewing speed of the machine must not exceed 1000 stitches per minute. To obtain the correct pulley ratios, the drive pulley is to be figured to have a  $2-1/2''$  diameter.

## **SETTING UP MACHINE**

Carefully unpack machine from packing case and make sure that all small parts and accessories are removed from packing material.

Wipe machine clean of protective grease and lubricate all oil holes with a good grade of stainless sewing machine oil. (see below)

Machine is set up on table so that its face plate faces the operator. Prepare table by boring two belt holes of at least 5/8'' diameter, 2-1/2'' apart, at a distance of 14-1/2'' from the front edge of the table. All distances are measured to the center of the holes.

Place machine base in proper relation to these belt holes and bore additional holes in table to accommodate the two treadle chains.

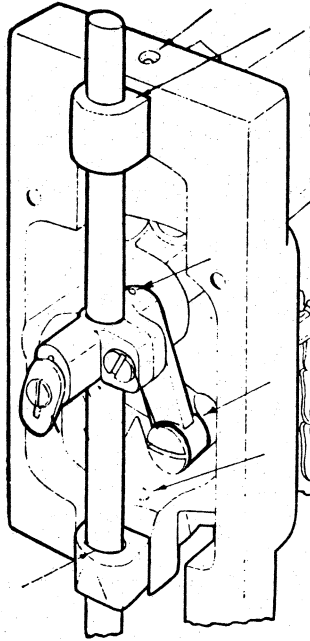
**Important Note:** Machine must rotate only in counter-clockwise direction, when standing at its rear and looking at the drive pulley.

## OILING

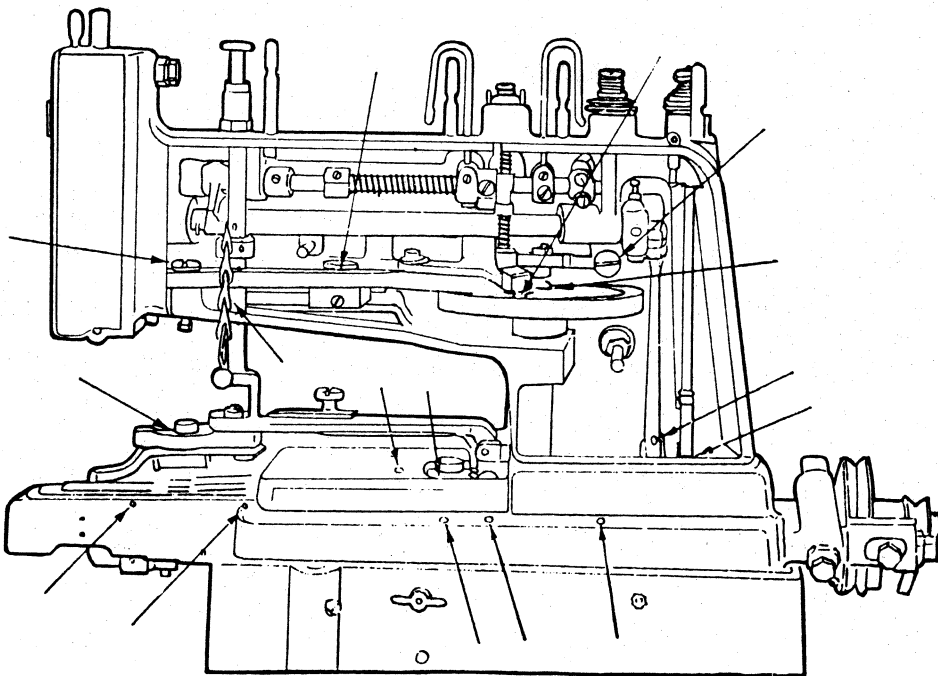
Do not operate the machine, even if only for testing, unless it has been properly oiled at every spot requiring lubrication.

Oiling must be done at least twice daily, when the machine is in continuous operation to assure free-running and durability of the operating parts.

The arrows on Figs. 1 through 4 point to those parts of the machine which must receive one or two drops of oil every time the machine is being lubricated. Note that in order to reach the oiling points indicated in fig. 1, the two screws holding the face plate will have to be removed. Fig. 2 shows the machine with the arm side cover removed by loosening the two knurled nuts, while fig. 4 shows the bottom of the machine.



Fig, 1



Fig, 2

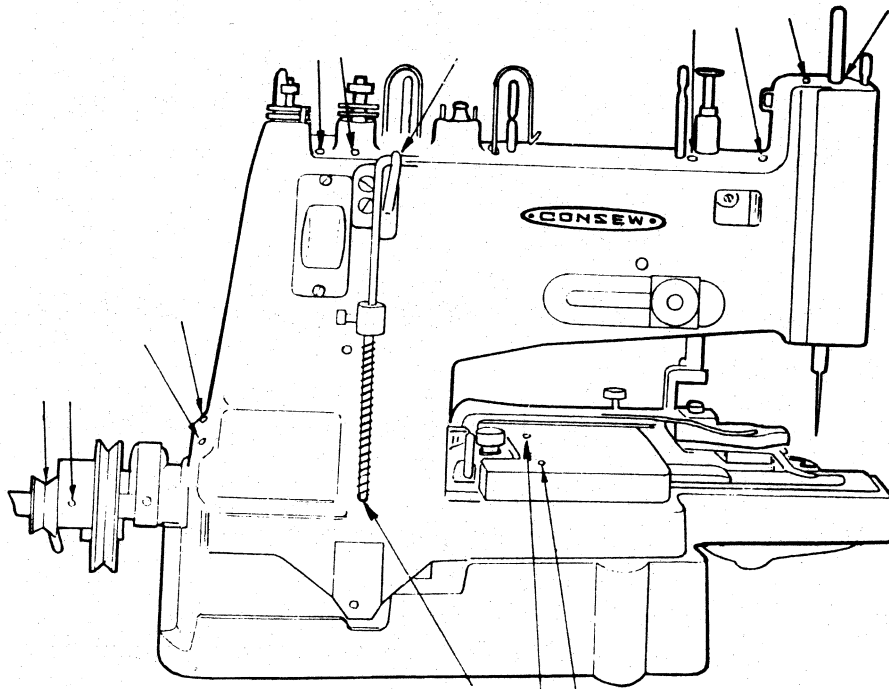


Fig. 3

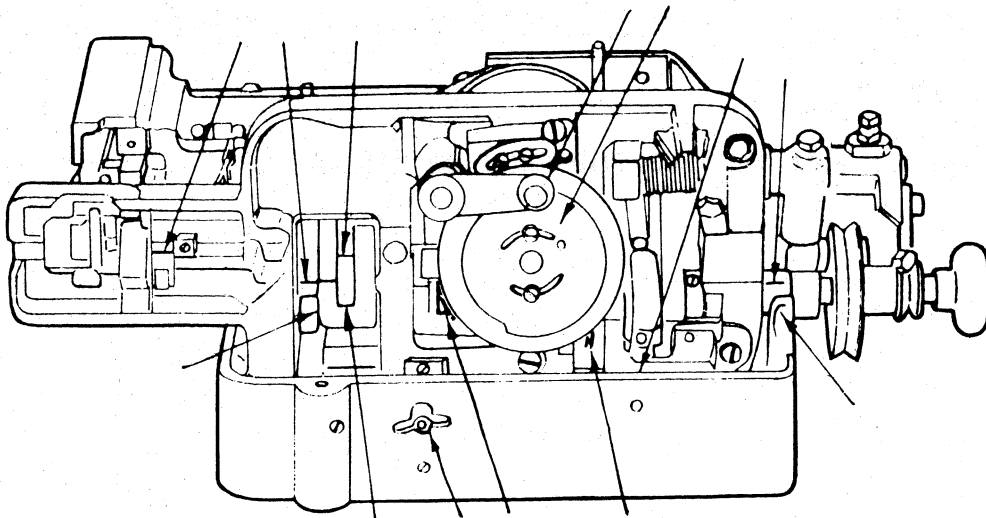


Fig. 4

**Note :** During the breaking-in period, a new machine should be oiled more frequently.

When oiling is completed, turn machine down onto its base and firmly tighten wing nut at its right side.

### **NEEDLES**

Consew Model 261B, uses needles Style 175X7 (Cat. No. 4531)  
Sizes 16, 18, 20 and 22

The size of the needle is determined by the size of the thread which must pass freely through the needle eye.

Remember uneven, knotted or rough thread impairs the satisfactory sewing performance of the machine.

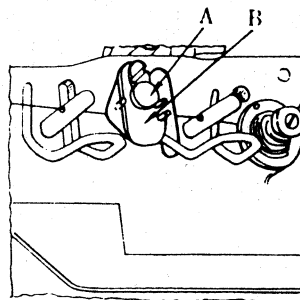
For best results use only genuine CONSEW needles. Replace bent, dull or burred needles to assure satisfactory operation of the machine.

### **INSERTING A NEW NEEDLE**

Insert the needle up into the needle bar, as far as it will go, with the long groove of the needle in front facing the operator, then securely tighten the needle set screw.

### **TO RELEASE THE THREAD NIPPER FOR THREADING**

In order to draw the thread forward while threading the machine, as described in the following paragraph, it is necessary to depress the thread nipper releasing screw A. (fig. 5). This will release the thread from the grip of the thread nipper B.



**Fig. 5**



## THREADING THE MACHINE

Pull the thread from the thread stand and then from right to left through guide post (1) and (2), around left side of automatic tension (3) through discs of same, then around right side and through discs of tension (4). Then through guide post (5), between posts (6), under nipper (7), to right of post (8) and through guide posts (9), (10) and (11). Then through guide (12), around the roller from left to right, through take-up (13), also from left to right, then through needlebar guide (14) and through the needle eye from the front.

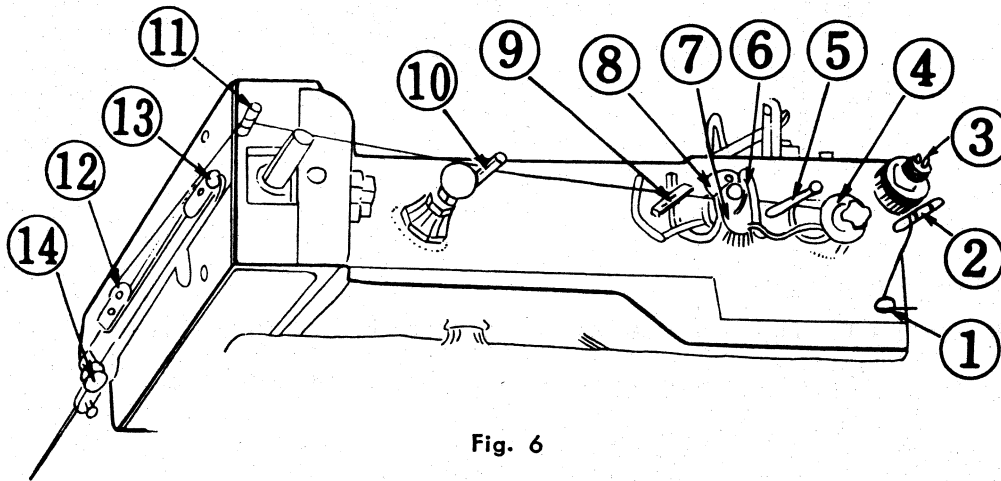


Fig. 6

## TO REGULATE THE THREAD TENSION

To increase thread tension, turn thumb nut D, Fig. 7, downward (clockwise). To decrease tension turn thumb screw nut D upward (counterclockwise).

Face plate thread retainer 14, Fig. 6 is adjustable. Loosen screw H, Fig. 7, and move retainer to left for more tension, or to right for less tension.

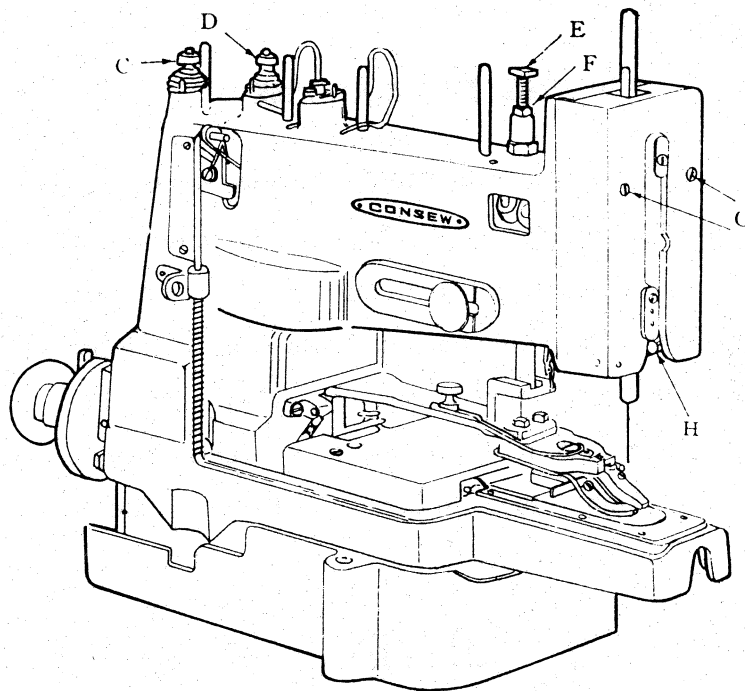


Fig. 7

Then tighten screw H.

Automatic tension C, Fig. 7, requires no change in adjustment other than to make sure that the thumb nut D is turned down sufficiently to insure that the thread is held tightly.

### **TO SET THE BUTTON CLAMP FOR VARIOUS SIZES OF BUTTONS**

Open the Clamp and place in the Clamp Jaws a button of the size to be used, and then loosen thumb screw F (Fig. 8) and move the Hook Lever where it just clears the Centre Finger Screw, and tighten up.

## TO ADJUST FOR TWO-HOLE AND FOUR-HOLE BUTTONS

To change over from four-hole to two-hole buttons, remove Clamp Hinge Pin, Fig. 2, No. 3, then insert this in the hole immediately above. This will neutralize Button Clamp forward movement, and the machine is set for two-hole buttons; reversing the operation re-sets the machine to four-hole buttons.

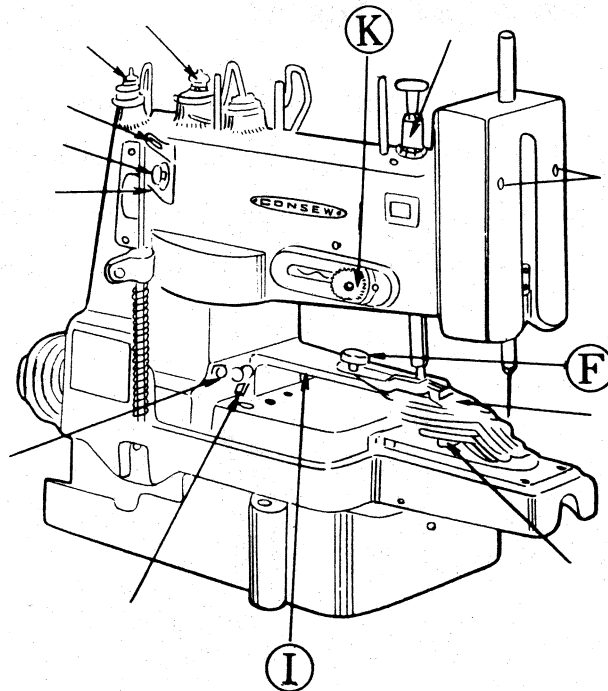


Fig. 8.

## ADJUSTMENT OF FORWARD AND BACKWARD MOTION OF BUTTON CLAMP

This is regulated by a Nut I, Fig. 8, and moving this to the left increases the movement of the Clamp, and to the right gives less movement.

## NEEDLE BAR HEIGHT

Using Needles 175X7, the eye of the needle should be 1-5/16'' above the needle plate surface when the Needle Bar is at its highest point. Make certain needle is pushed into needle bar as far as it will go.

## NEEDLE BAR THROW

This is regulated by a Nut K (Fig. 8), and moving this towards the needle decreases the width of vibration and vice versa. When adjusting the throw of the needle bar, it is essential to check that the needle clears the left and right hand ends of the needle slot in the needle plate.

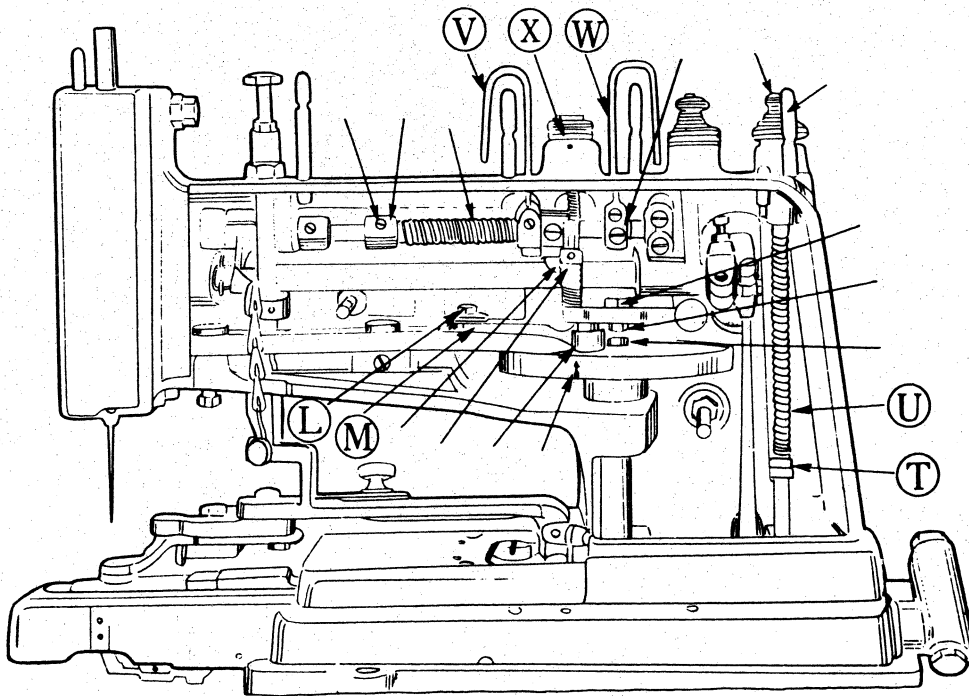


Fig. 9

Moreover, needle must vibrate an equal distance from the center of the looper shaft. To check, remove feed plate or button holder, needle plate and looper. Insert accurately fitting pin or drill No. 20 into looper hole in shaft, loosen hexagon head screw (L—fig. 9) and move lever (M) until needle on both vibrations just touches both sides of pin or drill. Tighten screw (L).

### ADJUSTING AND TIMING THE LOOPER

Set Needle Bar at the correct height following instructions above. Turn machine pulley by hand until needle bar reaches the bottom of its LEFT HAND STROKE. Continue turning until, as the needle bar rises, the top of the looper point meets with the center of the needle. When in this position, the BOTTOM of the looper point must be above the eye of the needle.

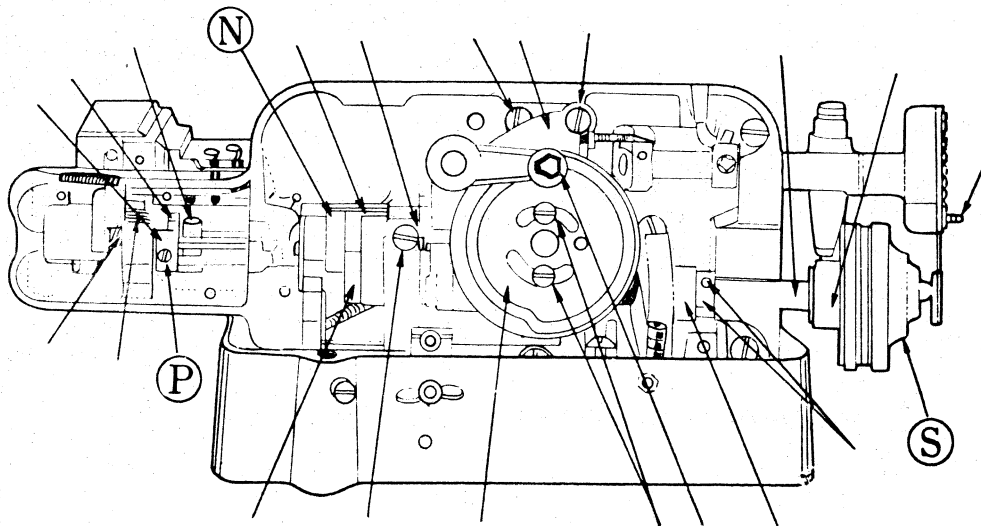


Fig. 10

If the looper on its LEFT HAND STROKE is not timed exactly as described, make the following adjustments:

Loosen set screws (N, fig. 10) in crank at underside of machine and turn looper shaft until looper is timed accurately as described in the preceding paragraph. Check accuracy of timing and tighten set screws securely. Correct timing of looper and needle on its LEFT HAND STROKE will automatically result in correct timing on its RIGHT HAND STROKE.

### **ADJUSTING THE NEEDLE GUIDE AND THREAD SPREADER**

Since this part serves as a needle guide and also as a thread controller, it requires two separate adjustments.

The forward prong (O, fig. 11) serves as needle guide and must be adjusted with its inside surface just clearing the needle. To adjust, loosen set screw (P, fig. 10), which holds the needle guide shaft bushing, and move this bushing endwise to obtain the desired adjustment. Be sure to tighten set screw.

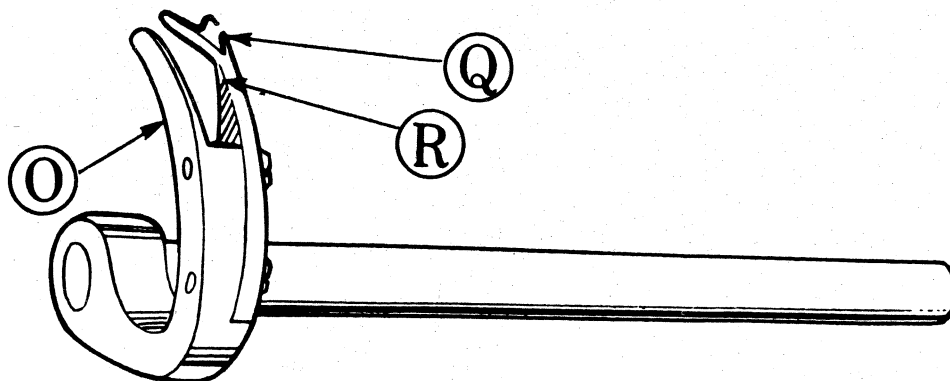


Fig. 11

The rear prong serves as thread spreader. It should be adjusted so that the point of the needle on its downward stroke clears the inside corner (R, fig. 11) of the thread finger by approximately  $1/32''$  when the needle bar makes its left hand stroke. If adjustment should be required, loosen clamp screw (P, fig. 10, and turn needle guide to required position. Securely tighten clamp screw upon completion of adjustment.

### **TIMING THE AUTOMATIC TENSION**

Depending upon the type of buttons and materials and the thread being used, the needle bar should move  $3/8''$  to about  $5/8''$  to complete its upward stroke after the automatic tension has released the thread.

To adjust the timing, loosen both set screws on cam (S, fig. 10) and turn same to required position. Note that cam also serves as thread collar for the main shaft of the machine. Therefore, its side must contact the machine bed. Tighten set screws securely.

### **ADJUSTING THE AUTOMATIC TENSION**

The amount of opening of the automatic tension is controlled by the adjusting nuts (T, fig. 9). Loosen them and turn rod (U, fig. 9) until the desired play is obtained. There should be about  $1/64''$  clearance between the upper end of the rod and the tension release washer when the automatic tension is closed without any thread between the tension discs. Securely tighten nuts upon completion of adjustment.

## **ADJUSTMENT OF THREAD PULL-OFFS**

The thread pull-offs (V and W, fig. 9) should move back to the left of the thread post about  $1/2''$  when the button clamp is in its highest position. To adjust loosen set screws which lock these parts to the top shaft inside the machine arm and move forward or back as set forth above.

## **THREAD NIPPER**

The thread nipper (X, fig. 9) should hold the thread tightly while the machine is in stopped position. It is adjusted by moving the collar downward for tighter thread nipping or upward for less gripping. Be sure to tighten set screw on collar.



**LIST OF PARTS**  
**FOR**  
**CONSEW**  
**MODEL 261B**

PARTS NO.	PAGE	NAME
50001	120	Machine base
50002	101	Machine base machine locating screw
50003	101	Button tray hinge screw stud set screw
"	103	Stop motion trip screw
"	105	Feed plate carrier regulator spring screw
"	105	Thread pull-off stop collar set screw
"	105	Thread pull-off (back) holder set screw
"	105	Button clamp lifting rod arm position screw
"	105	Button clamp lifting rod arm clamping screw
"	105	Button clamp lifting rod spring stop collar set screw
"	110	Needle bar connecting link hinge stud clamping screw
"	112	Button clamp lifting link screw stop plate screw
"	113	Stop motion retaining collar screw
"	114	Thread nipper plate screw
50004	101	Machine base machine starting lever
50005	101	" " spring
50006	101	" " pin
50008	101	Machine base machine starting lever stop screw
50009	101	" " " nut
50010	101	" lock plate
50011	101	" lock thumb nut spring
50012	101	" " " washer
50013	101	" " thumb nut
50014	119	Face plate
50015	101	Face plate thread guide (upper)
50016	101	" " (lower) plate

PARTS NO.	PAGE	NAME
50018	101	Face plate thread guide (lower) plate screw spacing collar
50019	101	" (lower) roller pin
50020	101	" " roller
50021	101	Face plate thread retainer stud
50022	101	" " sleeve
50023	101	" " spring
50025	101	Face plate screw
50026	119	Arm side cover (right)
50027	114	" " screw stud thumb nut
50028	112	Bed end cover (bottom)
50029	112	" " spring
50030	104	Button clamp arm
50031	104	Button clamp spreader & button stop base
50032	104	" " " screw
50033	104	" " and button stop base screw washer
"	104	Button clamp adjusting lever thumb screw washer
50034	104	Button clamp spreader and button stop
50035	104	" " screw
50036	104	" " " nut
50037	104	" handle
50038	104	" " screw
50039	104	Button clamp (right)
50040	104	Button clamp (left)
50041	104	Clamp screw stud

PARTS NO.	PAGE	NAME
50043	104	Button clamp hinge screw
50044	104	" closing spring
50045	104	" adjusting lever
50046	104	Clamp adjusting lever thumb screw
50047	104	Button clamp (right) spring
50048	104	" (left) "
50050	104	" spring screw
50051	107	" arm hinge pin
50052	102	" presser bar
50053	102	" " collar
50055	102	" " spring
50056	102	" " screw bearing
50057	102	" regulating thumb screw
50063	110	Arm rock shaft
50064	110	" crank (front)
50066	110	Needle bar connecting link hinge screw
50068	110	Needle bar connecting link
50069	110	" " hinge stud
50070	110	" " " thread guide roller
50071	110	" " " plate
50073	110	Needle bar (hollow)
50076	105	Button clamp lifting arm
50077	105	" lifting and thread pull-off holder shaft
50079	105	" lifting & thread pull-off holder shaft collar
50080	105	Button clamp lifting and thread pull-off holder shaft spring collar

PARTS NO.	PAGE	NAME
50082	105	Button clamp lifting & thread pull-off holder shaft spring
50083	105	Thread pull-off (front) holder
50084	105	" " stop pin
50085	105	Thread pull-off (back & front) set screw
50086	105	Thread pull-off (front)
50087	105	" " stop collar
50088	105	" " stop collar stop pin
"	112	Tension disc position pin
"	115	Thread nipper thread guide pin
50090	105	Thread pull-off (back)
50091	105	" holder
50092	105	Button clamp lifting rod arm
50094	105	" lifting rod
50095	105	" " spring stop collar
50096	105	" " spring
50097	105	" " arm stop plate collar pin
50098	112	" " arm stop plate
50099	112	" " screw washer
"	108	Feed cam screw washer
"	113	Stop motion trip screw washer
50100	110	Arm rock shaft crank (back)
50101	110	" " clamping screw
50102	110	" " position screw
"	107	Button clamp arm hinge pin bracket screw
50103	103	Starting crank adjusting screw nut

PARTS NO.	PAGE	NAME
50103	110	Arm rock shaft crank (back) position screw lock nut
"	110	Needle bar eccentric connecting rod clamping nut
"	115	Tension releasing rod adjusting nut lock nut
50104	110	Needle bar eccentric connecting rod hinge screw
50105	110	" " " nut
50106	110	" " connecting rod
50107	110	" " " clamping screw
"	109	Needle bar vibrating lever arm screw
50109	110	Needle bar eccentric connecting rod cap screw
50110	119	Bed top cover (back)
50111	106	Bed top cover (back) screw
50112	107	Button clamp arm hinge pin bracket :w
50114	107	Feed plate carrier guide block (right)
50115	107	Feed plate carrier guide block (left)
50117	107	Feed plate carrier
50118	106	Feed plate spring
50119	106	" holder
50120	106	" stud
50121	106	Bed top cover (front)
50122	106	Needle plate
50123	106	" screw
50123	106	Bed top cover screw
50124	107	Feed plate carrier regulating nut screw stud
50125	107	" " " washer
"	114	Thread nipper releasing screw stud nut washer
50126	107	Feed plate carrier regulating nut

PARTS NO.	PAGE	NAME
50127	107	Feed plate carrier regulating nut tightening handle
50128	107	" " screw stud slide block
50129	107	" regulator
50130	107	" " spring screw
50131	107	Feed plate carrier regulator spring
50132	107	" driving arm
50134	107	" " arm pin
"	114	Starting crank pin
50135	107	Feed plate carrier driving arm roller & screw stud
50135	109	Needle bar vibrating lever arm roller & screw stud
50136	108	Feed cam
50137	108	" screw
50139	108	Feed cam driving worm wheel
50140	108	" " set screw
50141	108	Stop motion trip point
50142	108	Feed cam driving worm wheel shaft
50143	108	Needle bar vibrating cam
50144	111	Machine rest stud
50145	108	Thread nipper releasing stud
50146	108	Needle bar vibrating cam pin
50147	109	" " lever arm
50148	109	" " hinge screw
50150	109	" " lever arm screw washer
50151	109	Needle bar vibrating lever
50152	109	Needle bar connecting stud (lower)
50153	109,113	" " " washer

PARTS NO.	PAGE	NAME
50154	109,113	Needle bar connecting stud nut
50155	109,113	" " (upper & lower) nut lock nut
50156	113	Needle bar connecting stud (upper)
50157	109	Needle bar vibrating lever hinge screw
50158	109	" " " slide
"	109	Needle bar vibrating lever adjusting bracket hinge stud slide
50160	109	Needle bar vibrating lever adjusting bracket hinge stud
50162	109	Needle bar vibrating lever adjusting bracket
50164	109	Needle bar vibrating lever adjusting bracket lock nut screw stud
50166	109	Needle bar vibrating lever adjusting bracket lock nut washer
50167	109	Needle bar vibrating lever adjusting bracket lock nut
50175	103	Tension releasing cam
50176	103	" " set screw
"	103	Needle bar eccentric set screw
"	111	Looper shaft crank set screw
50177	103	Needle bar eccentric
50179	103	Feed cam driving worm
50181	103	Pulley shaft gear
"	111	Looper driving shaft gear
50185	111	" " shaft
50186	111	Looper driving shaft bushing
50187	111	" " clamping screw
50188	111	" shaft crank
50189	111	" " connecting link stud



PARTS NO.	PAGE	NAME
50192	111	Looper driving shaft crank connecting link
50193	111	Looper shaft crank
50194	111	" " " Stud
50196	111	Needle guide cam
50198	111	Looper shaft
50200	102	Button clamp presser bar collar set screw
"	102	Needle guide shaft bushing set screw
"	105	Button clamp lifting & thread pull-off holder shaft spring collar set screw
"	107	Feed plate carrier driving arm set screw
	109	Needle bar vibrating lever adjusting bracket lock nut
"		screw stud set screw
"	111	Looper set screw
50201	111	Looper
50202	102	Needle guide oscillating crank
50203	102	" " " clamping screw
50204	102	Needle guide shaft
50205	102	Needle guide oscillating crank spring
50206	102	Needle guide
50207	102	Needle guide thread finger
50208	102	Needle guide shaft bushing
50213	113	Stop motion trip block hinge screw
"	115	Arm side cover (right) screw stud lock nut
50219	103	Stop motion shaft spring collar
50220	103	" " set screw
50221	103	Stop motion shaft spring
50222	103	Starting crank

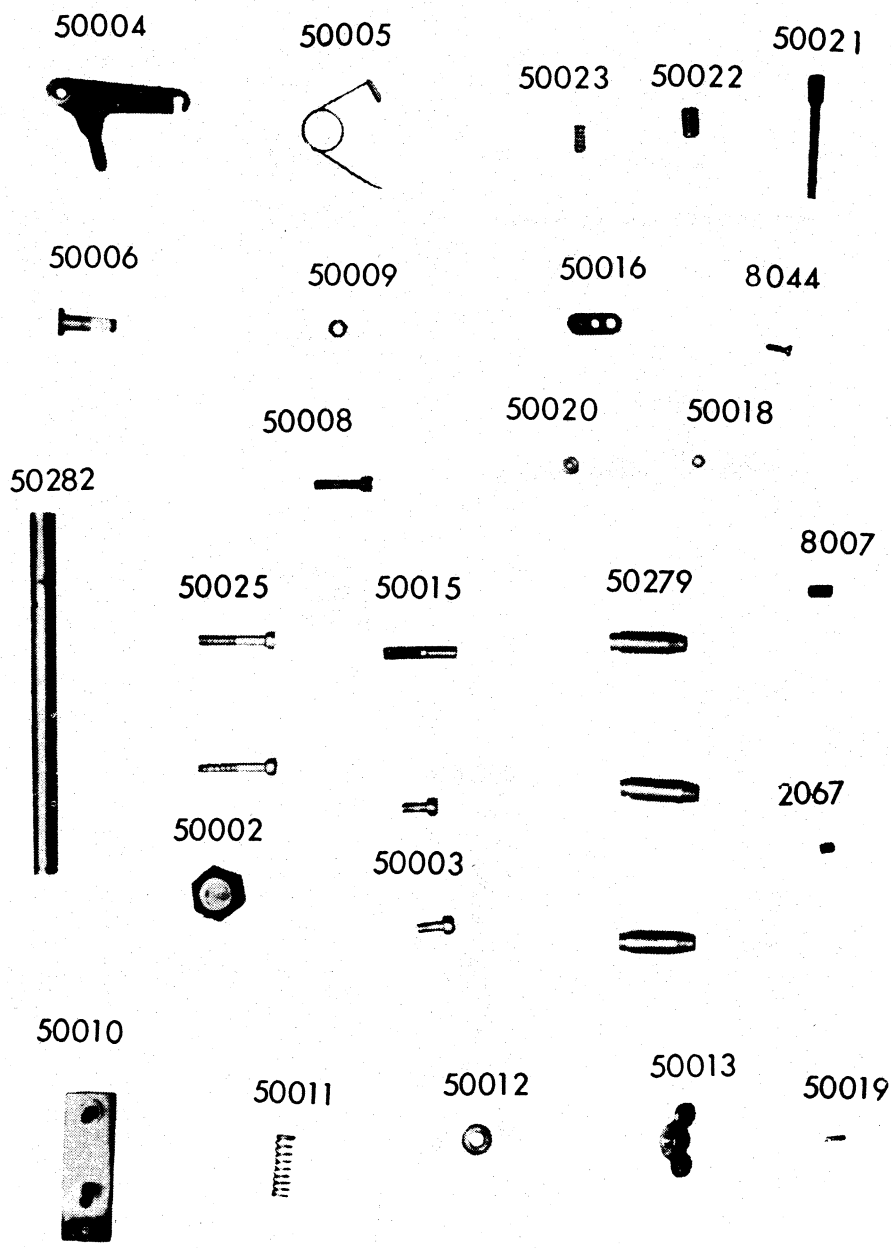
PARTS NO.	PAGE	NAME
50224	103	Starting crank adjusting screw
50226	103	Stop motion retaining collar
50228	113	Stop motion trip block
50229	113	" relating collar stud
50230	113	" " set screw
50231	113	" trip block spring
50232	113	Stop motion trip block hinge screw
50235	112	Needle bar eccentric pawl spring stud
50239	114	Thread nipper releasing lever
50240	114	" " hinge screw
50241	114	" " screw stud
50244	114	Thread nipper head
50245	114	" releasing rod
50246	114	" " head screw
50247	114	Thread nipper plate
50249	114	" " washer
50250	114	" releasing rod spring collar
50252	114	" " spring (upper)
50253	114	Thread nipper releasing rod spring (lower)
50254	114	" " " ( " ) washer
50255	114	Arm side cover (right) screw stud (long)
50256	114	" " " (short)
50258	115	Tension releasing rod wearing sleeve
50259	115	Tension releasing rod
50261	115	" " spring
50262	115	Tension screw stud
50263	115	Tension spring (big)

PARTS NO.	PAGE	NAME
50264	115	Tension disc
50265	115	Tension releasing disc
50266	115	Tension spring (small)
50267	115	Tension screw stud
50268	112	Arm side cover (left)
50269	112	Tension thread eyelet. Thread pull-off thread eyelet
50270	112	Thread eyelet (back)
50271	112	" (front)
50273	112	Bed end cover (bottom) hinge pin (left)
50274	112	" " (right)
50278	119	Button tray
50279	101	" hinge screw stud
50281	119	Belt & pulley hinge pin bracket
50282	101	" pin
50283	121	Foot lifter chain
50285	121	Wrench
50286	113	Stop motion trip
50287	106	Feed plate holder screw
50288	110	Arm rock shaft collar
50292	107	Button clamp arm hinge pin bracket shim (0,1mm)
50293	107	" " " (0,2mm)
50294	107	" " " (0,5mm)
50295	103	Needle bar eccentric pin
50304	111	Looper driving shaft crank set screw
50330	116	Automatic lifting pin
50331	116	" screw
50332	116	" " holder
50333	116	" lever

PARTS NO.	PAGE	NAME
50334	116	Automatic lifting lever hinge screw
50335	116	" lifter connection lever
50336	116	" lifting lever plate (upper)
50337	116	" " (lower)
50400	117	Main shaft
50401	117	Thrust bearing
50402	117	" washer
50403	117	Stop motion clutch wheel
50404	117	" " screw (A)
50405	117	" " " (B)
50406	117	Reverse Stopper
50407	117	Stopper set screw
50408	117	Reverse Stopper spring
50409	117	Stopper set screw nut
"	117	Friction cork set screw nut (for 50411)
"	118	Starting plate bracket pushing screw nut
50410	117	Friction cork
50411	117	" set screw
50412	117	Pulley
50413	117	Needle bearing
50414	117	Ball bracket base
50415	117	" (small)
50416	117	" (large)
50417	117	" pushing spring
50418	118	Stop motion shaft
50419	118	" " collar
50420	118	" " arm
50421	118	" " screw (long)

PARTS NO.	PAGE	NAME
50422	118	Stop motion arm screw (short)
"	118	Starting plate arm fastening screw
50423	118	Stop block bolt
50424	118	" " spring disc
50425	118	" motion arm spring
50426	118	" " bolt
50428	118	Starting plate bracket
50429	118	" plate
50430	117	Key
50432	120	Belt & pulley guard
6348	116	Automatic lifting lever plate hinge screw
6306	109	Needle bar vibrating lever adjusting bracket hinge stud set screw
3029	116	Automatic lifting connection lever set screw
3068	105	Button clamp lifting arm set screw
"	110	Needle guide cam set screw
2041	116	Automatic lifting lever plate washer
2067	101	Face plate thread retainer stud set screw
10517	102,110	Needle bar connecting link hinge screw nut
"	114	Thread nipper releasing screw stud nut
10535	110	Needle set screw
13076	116	Automatic lifting screw nut
8007	101	Machine base machine starting lever pin set screw
8009	117	Ball bracket base set screw
"	118	Stop motion shaft collar set screw
"	"	Starting plate set screw
8020	111	Looper driving shaft gear pin
"	103	Pulley shaft gear pin

PARTS NO.	PAGE	NAME
8023	110	Arm rock shaft crank pin
"	103	Feed cam driving worm pin
8031	102	Needle guide thread finger screw
8040	110	" bar connecting link thread guide screw
"	107	Face plate carrier guide block screw
8044	101	" thread guide (lower) plate screw
"	112	Arm side cover (left) screw
8079	115	Tension regulating thumb nut
8097	110	Arm rock shaft collar screw
8103	114	Thread nipper releasing rod spring collar set screw
8105	118	Stop motion arm bolt nut
8120	121	Driver (large)
8121	121	" (small)
8125	121	Oiler
7030	112	Bed end cover (bottom) spring hook



50200



50055



50057

50053



50052



10517



50208



50200



50056



50204



50202



50203



8031



50205



50206

50207





8020



50181

8023

50179



50176

50295

50175

50176



50177

50220

50219

50221



50103

50226

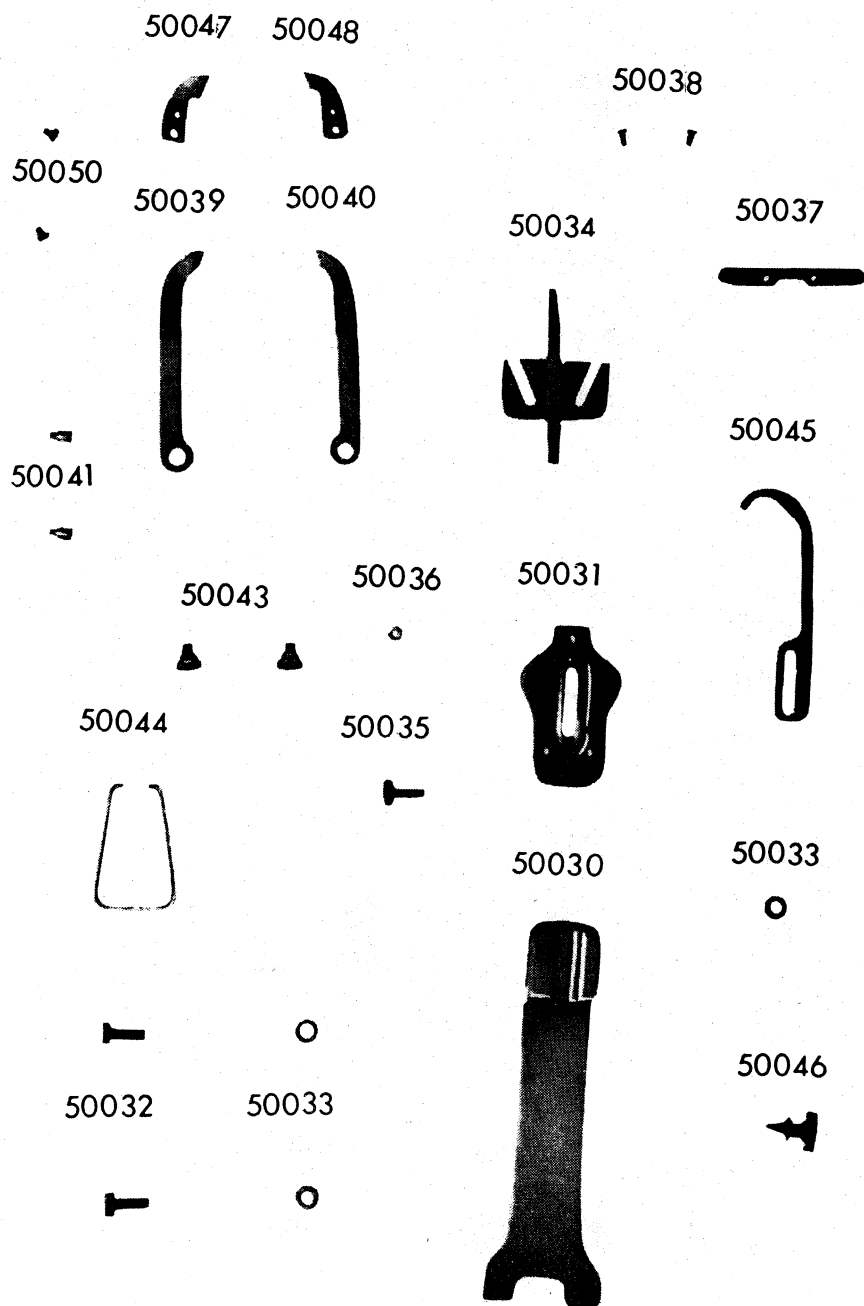
50003

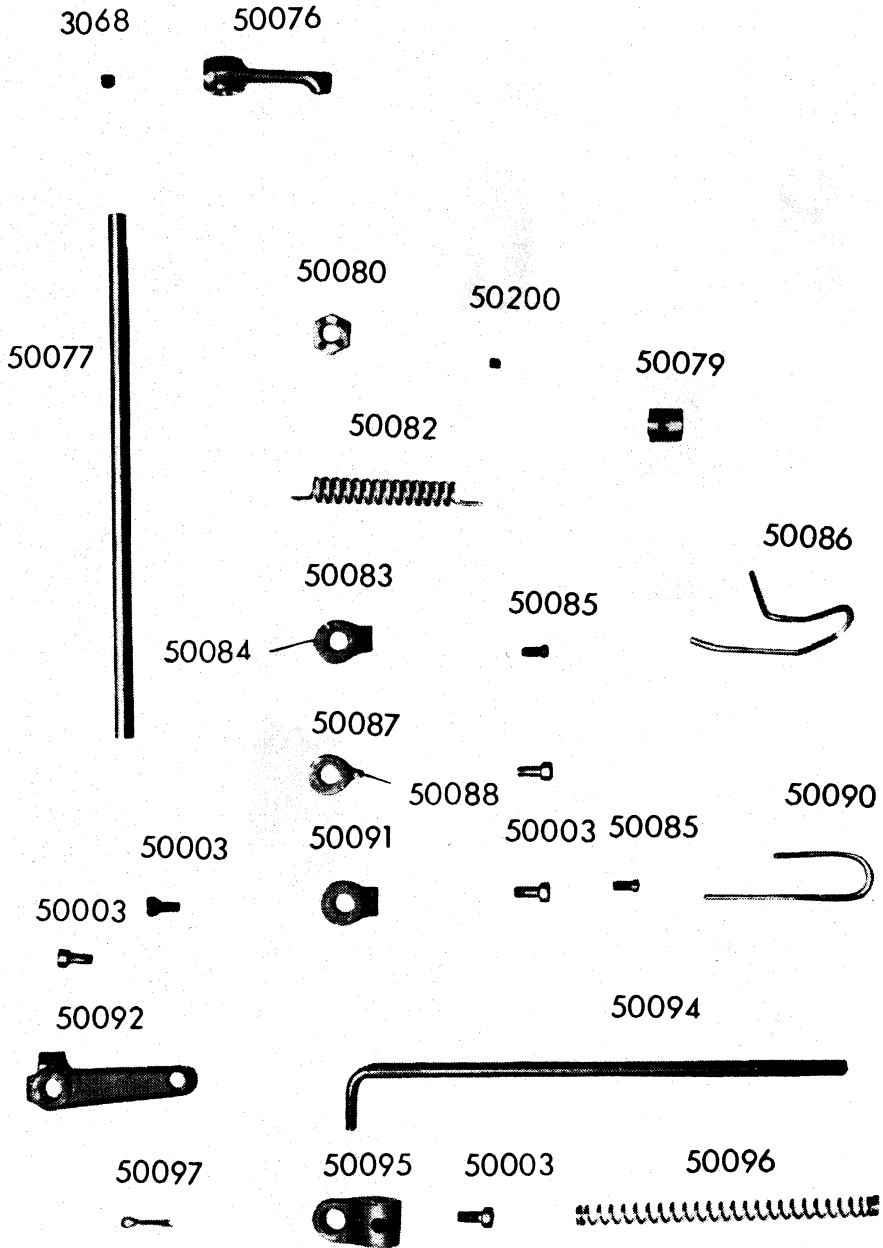
50134

50222

50224







50118



50119



50287



50120



50121



50123

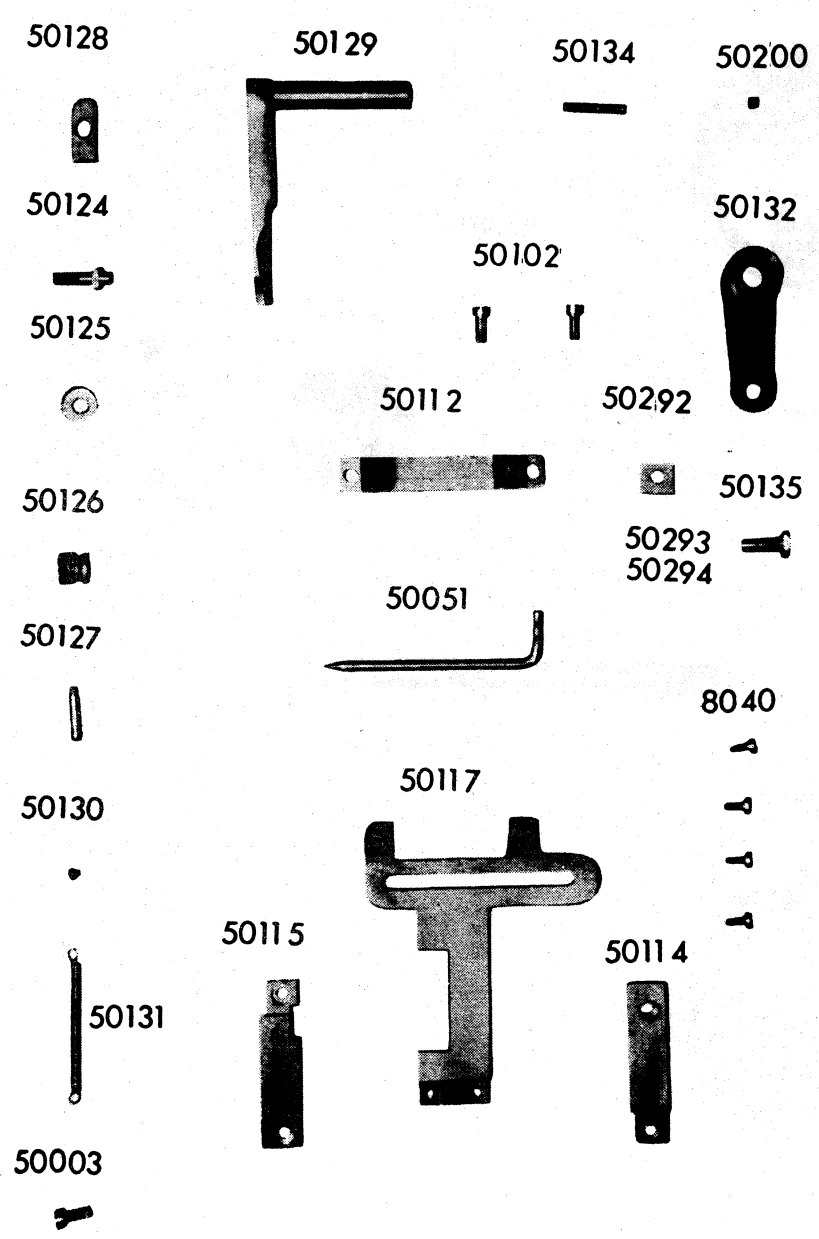


50111

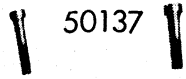
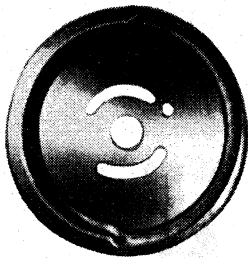


50122





50136



50137

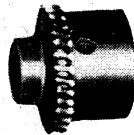


50099

50141



50139



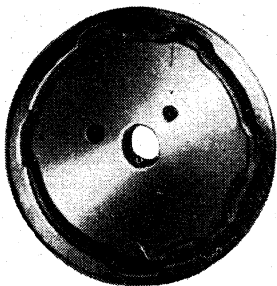
50140



50142



50143



50145



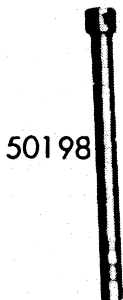
50146





50201

50144



50198

50200

50196



3068

50193

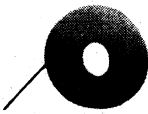


50194

50192



50188



50189

50304



50304



50176



50186



50187



50185

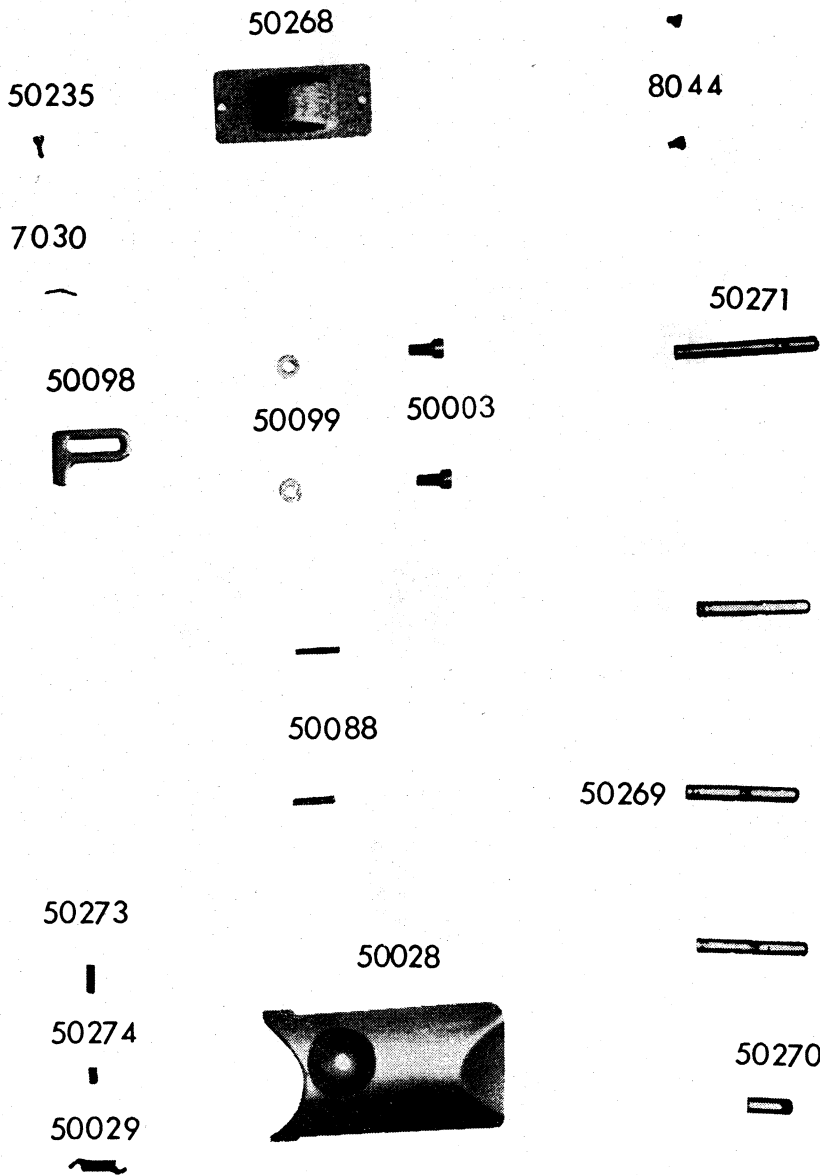


50181



8020







50135



50147



50148



50107



50150



6306



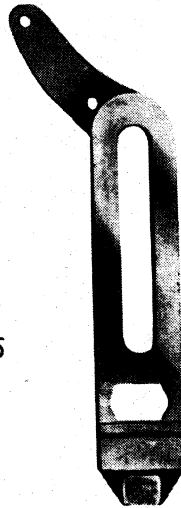
50160



50166



50151



50162



50158



50164



50200



10765



50158



50157



50167



50155



50154

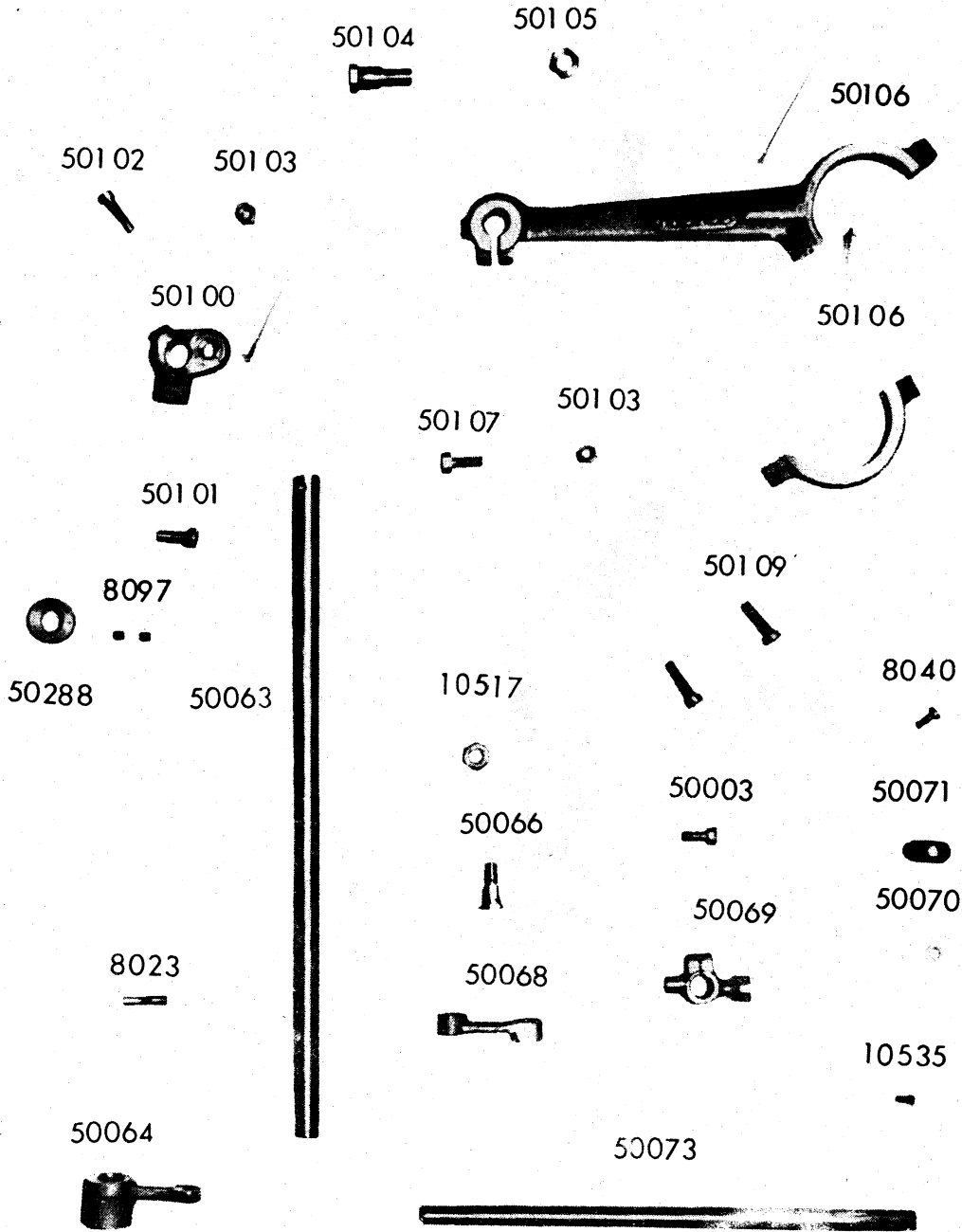


50153



50152





50233



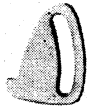
50232



50156



50286



50228



50153



50154



50231



50230



50155



50099



50003



50229



50027



50255



50213



50027



50256



50213



50253



50250



50252



50247



50254



8103



50245



50244

50003



50241



50125



10517



50249



50240



50239



50246





50265



8079



50264



50264



50263



50266



50262



50267



50259



50261



50283



50103



50088

50258





6348



50337



2041



8040



13076



50332



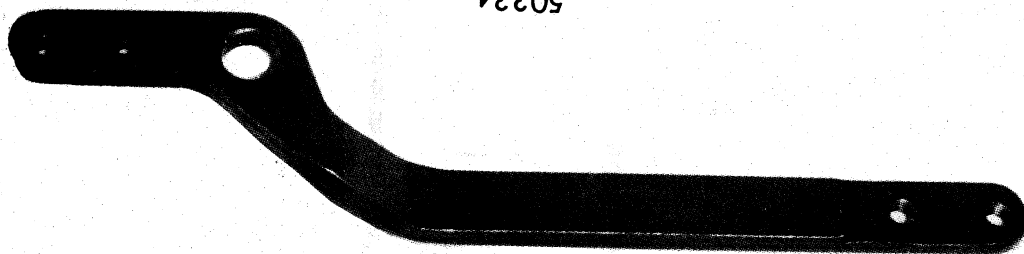
6348



50336



50334



50333



50331

50335



50254



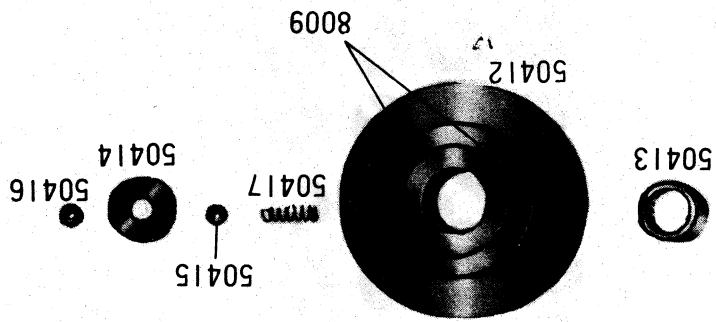
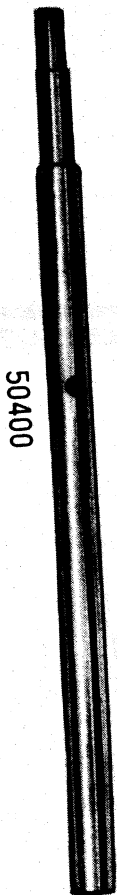
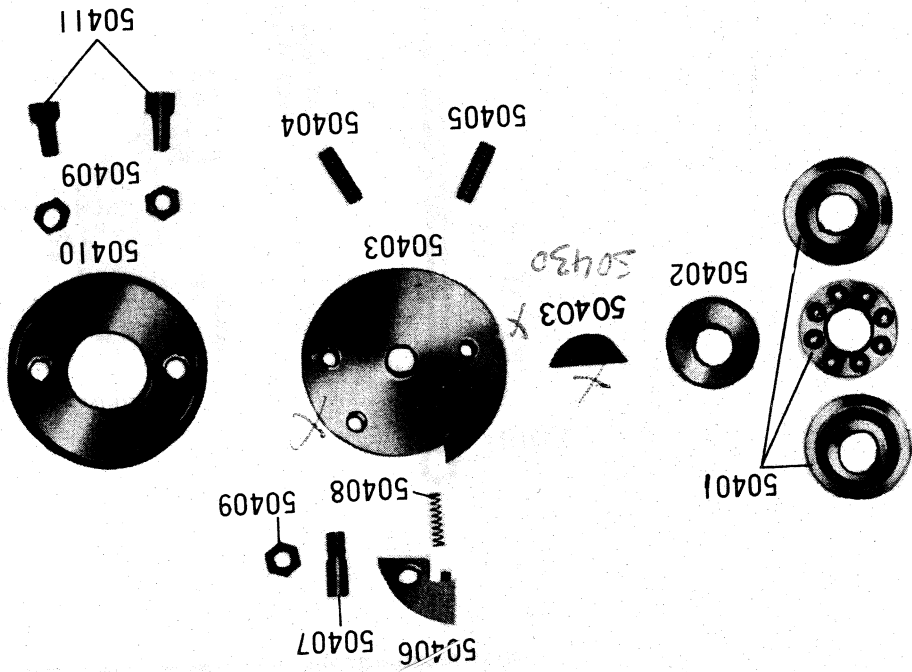
50003



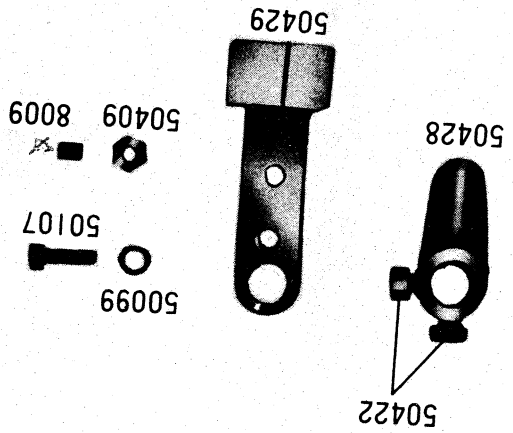
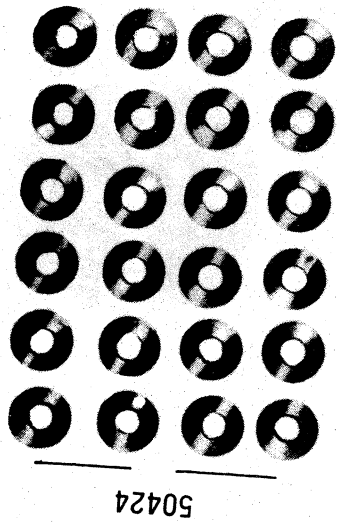
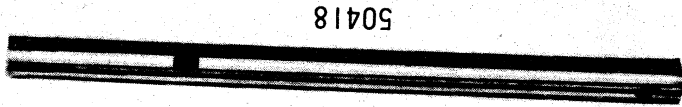
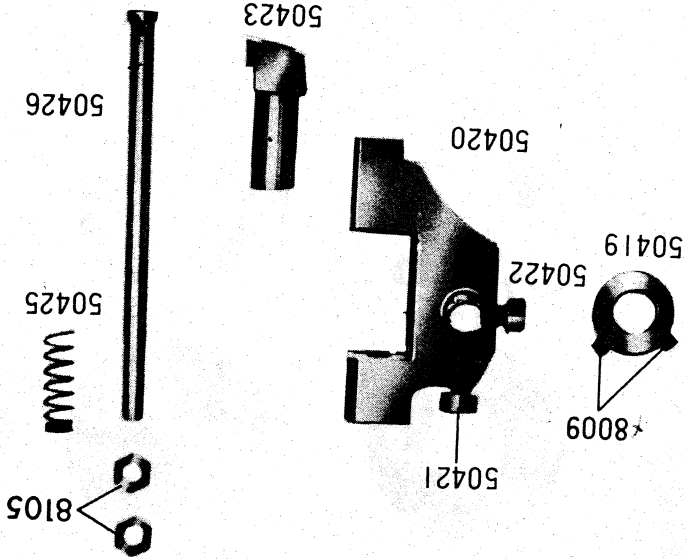
50330



3029



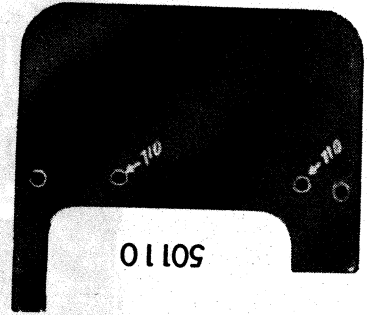
50400



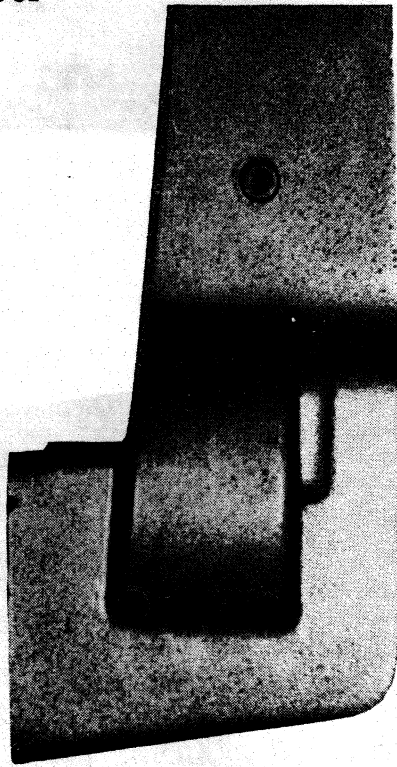




50014



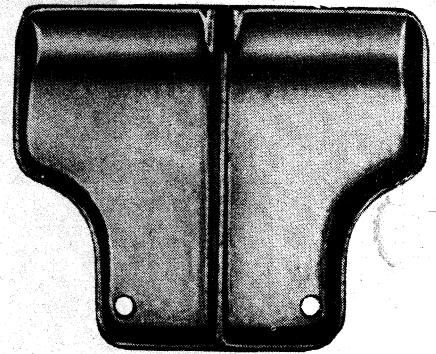
50110



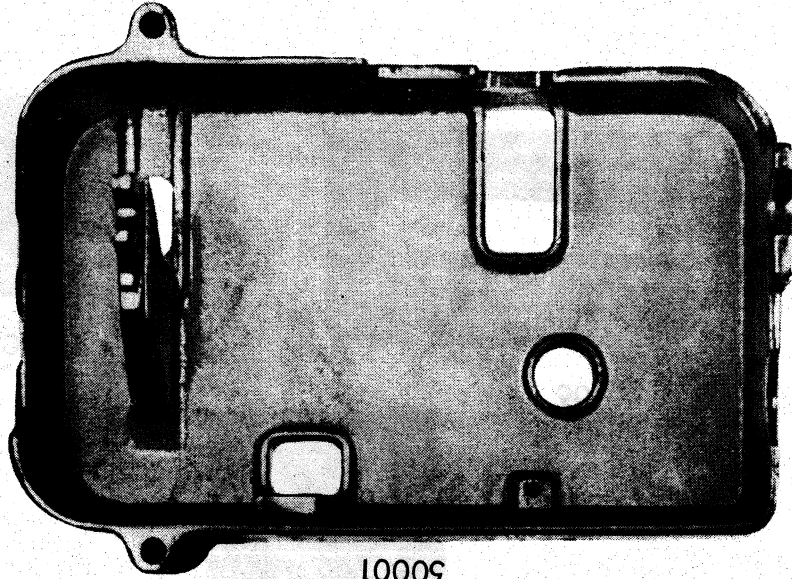
50026



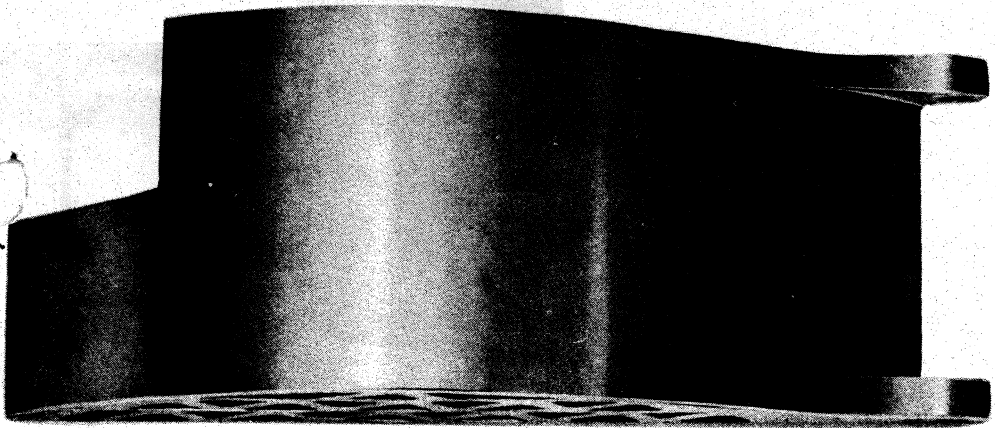
50281



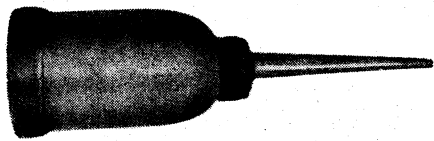
50278



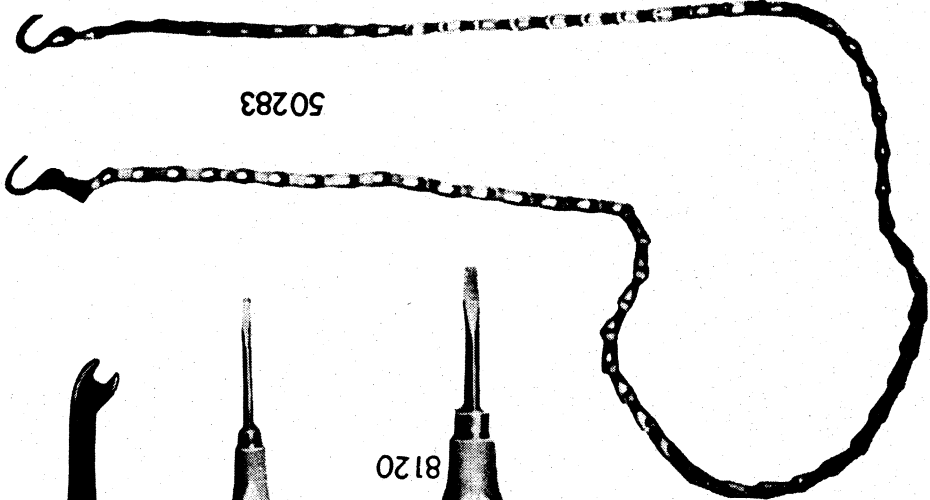
50001



50432



8125



50283



50285



8121



8120

