

MODEL : DDL-900BB

List No : 1712-00

# PARTS LIST

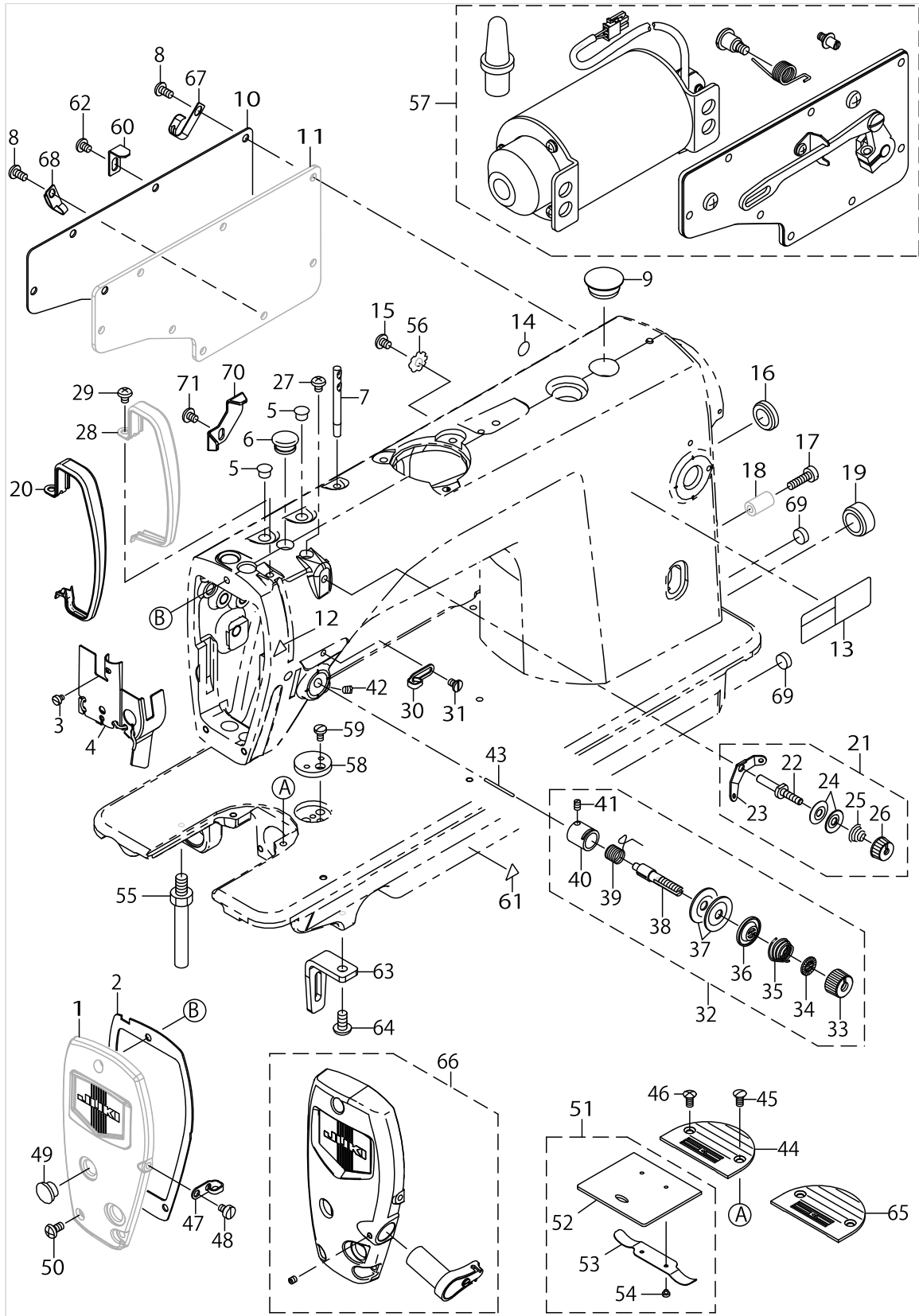
Published:10/31/2017

## CONTENTS

---

FRAME & MISCELLANEOUS COVER COMPONENTS .....	1
BOBBIN WINDER COMPONENTS .....	5
MAIN SHAFT & THREAD TAKE-UP LEVER COMPONENTS .....	7
NEEDLE BAR, UPRIGHT SHAFT & HOOK DRIVING SHAFT COMPONENTS .....	9
HAND LIFTER COMPONENTS .....	13
FEED MECHANISM COMPONENTS .....	17
THREAD TRIMMER COMPONENTS .....	21
AUTOMATIC REVERSE FEED COMPONENTS .....	25
CONDENSE COMPONENTS .....	27
OIL LUBRICATION COMPONENTS .....	29
UNDER COVER COMPONENTS .....	33
PSC UNIT .....	35
THREAD STAND COMPONENTS .....	39
ACCESSORIE PARTS COMPONENTS .....	41
EXCLUSIVE PARTS FOR H .....	43
EXCLUSIVE PARTS TYPE NB .....	45
HOW TO MAKE USE OF THIS PARTS LIST .....	47

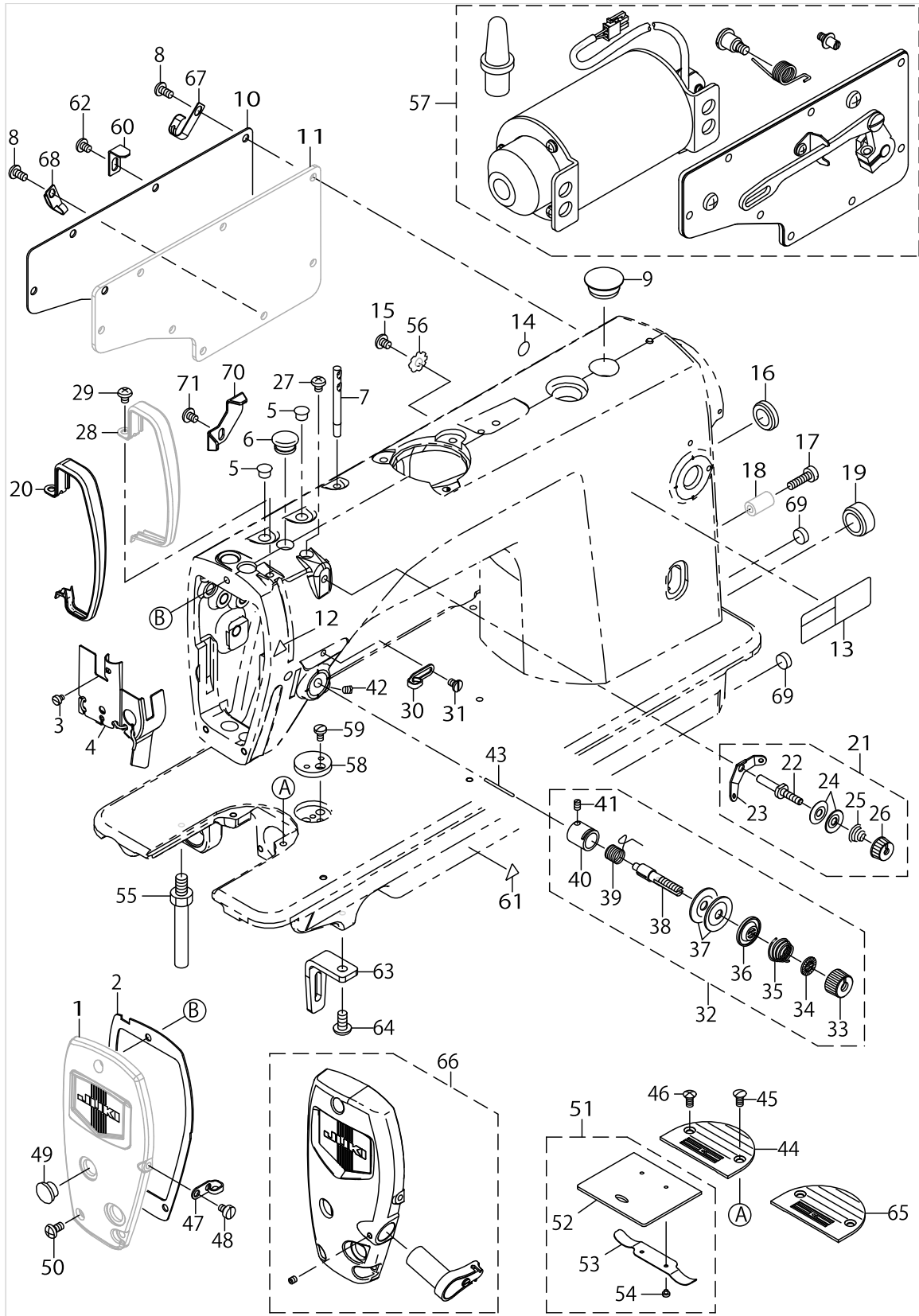
FRAME & MISCELLANEOUS COVER COMPONENTS



FRAME & MISCELLANEOUS COVER COMPONENTS

No.	Parts No.	Parts name	Remarks	Level	Cons	Qty
1	40102097	FACE_PLATE_ASM.				1
2	40012126	FACE PLATE PACKING				1
3	SS6080410SP	SCREW 1/8-44 L=4				1
4	40156677	ARM OIL SHIELD ASSY				1
5	TA0850604R0	RUBBER PLUG				2
6	TA1250705R0	RUBBER PLUG				1
7	22958300	NEEDLE THREAD GUIDE PIN				1
8	SS4120925SP	SCREW 3/16-28 L=9				8
9	TA2100904R0	RUBBER PLUG				1
10	22900401	WINDOW PLATE				1
11	40012129	SIDE PLATE PACKING				1
12	CM300200001	FINGER INJURY CAUTION LABLE (16)				1
13	40102261	SAFETY_LABEL_S				1
14	22901805	GROUND MARK				1
15	SS4120615SP	SCREW 3/16-28 L=6				1
16	TA2000502R0	RUBBER PLUG				1
17	SS6121840SP	SCREW 3/16-28 L=18				1
18	22952501	BACK LEVER STOPPER				1
19	TA2101002R0	RUBBER PLUG				1
20	40190685	THREAD TAKE UP LEVER COVER BB	VARIOUS NOS. FOR DESTINATIONS			1
21	22963458	THREAD TENSION ASM.				1
22	22945414	THREAD TENSION POST		*		1
23	22945604	THREAD TENSION GUIDE		*		1
24	22945802	THREAD TENSION DISK		*		2
25	22963409	THREAD TENSION SPRING		*		1
26	22945703	THREAD TENSION NUT		*		1
27	SS4120615SP	SCREW 3/16-28 L=6				1
28	22900609	THREAD TAKE-UP LEVER COVER	VARIOUS NOS. FOR DESTINATIONS			1
29	SS4120615SP	SCREW 3/16-28 L=6				1
30	22920508	ARM THREAD GUIDE A				1
31	22921001	SCREW				1
32	22945356	THREAD TENSION ASM.				1
33	22921308	THREAD TENSION NUT		*		1
34	22921407	ROTATION STOPPER		*		1
35	22921704	THREAD TENSION SPRING A		*		1
36	22921803	DISK STOPPER		*		1
37	22921506	THREAD TENSION DISK		*		2
38	22921209	THREAD TENSION POST		*		1
39	22921605	THREAD TAKE-UP SPRING		*	☆	1
40	22945307	THREAD TENSION POST BASE		*		1
41	SS8090670SP	SCREW 9/64-40 L=5.5		*		1
42	SS8150710TP	SCREW 15/64-28 L=7				1
43	22920904	TENSION RELEASING				1
44	B1109552000	THROAT PLATE				1
45	SS2110920TP	SCREW 11/64-40 L=8.5				1
46	SS2110915SP	SCREW 11/64-40 L=8.5				1

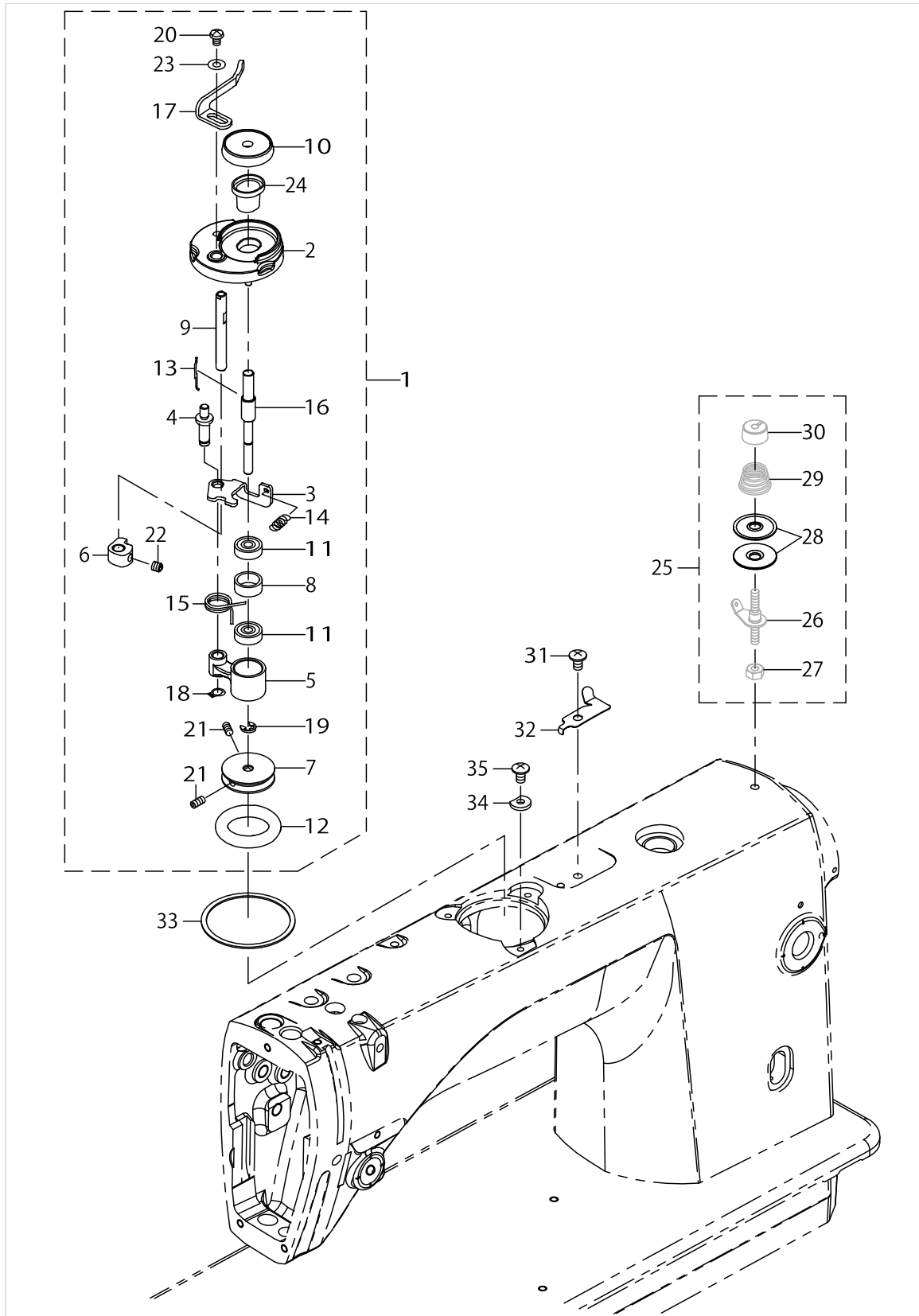
FRAME & MISCELLANEOUS COVER COMPONENTS



FRAME & MISCELLANEOUS COVER COMPONENTS

No.	Parts No.	Parts name	Remarks	Level	Cons	Qty
47	22920607	ARM THREAD GUIDE B				1
48	SS6110610TP	SCREW 11/64-40 L=6				1
49	TA1250406R0	RUBBER PLUG D=12.5 L=4				2
50	SS4120925SP	SCREW 3/16-28 L=9				3
51	22901250	SLIDE PLATE ASM.				1
52	22901201	SLIDE PLATE		*		1
53	22901300	SLIDE PLATE SPRING		*		1
54	SS6060210SP	SCREW 3/32-56 L=1.9		*		2
55	22901003	BED SCREW STUD				3
56	WT0530002KS	TOOTHED WASHER D=5.3				1
57	40188851	AK85B_DEVICE_900B	OPTIONAL PARTS			1
58	40099083	RULER STOP SEAT				1
59	SS7110720SP	SCREW 11/64-40 L=7				1
60	40126308	CORD_CLAMP				1
61	CM300200001	FINGER INJURY CAUTION LABLE (16)				1
62	SS4120615SP	SCREW 3/16-28 L=6				1
63	40196832	BED_STD_R				1
64	SS4151215SP	SCREW 15/64-28 L=12				1
65	40182291	THROAT_PLATE_G	OPTIONAL PARTS			1
66	40140080	FACE_PLATE_ASSY	OPTIONAL PARTS			1
67	40136258	CORD HOLDER				1
68	40022407	CORD HOLDER				1
69	TA1030402R0	RUBBER PLUG D=10.3 L=4				2
70	40111896	CORD_CLAMP				1
71	SS4120615SP	SCREW 3/16-28 L=6				1

BOBBIN WINDER COMPONENTS

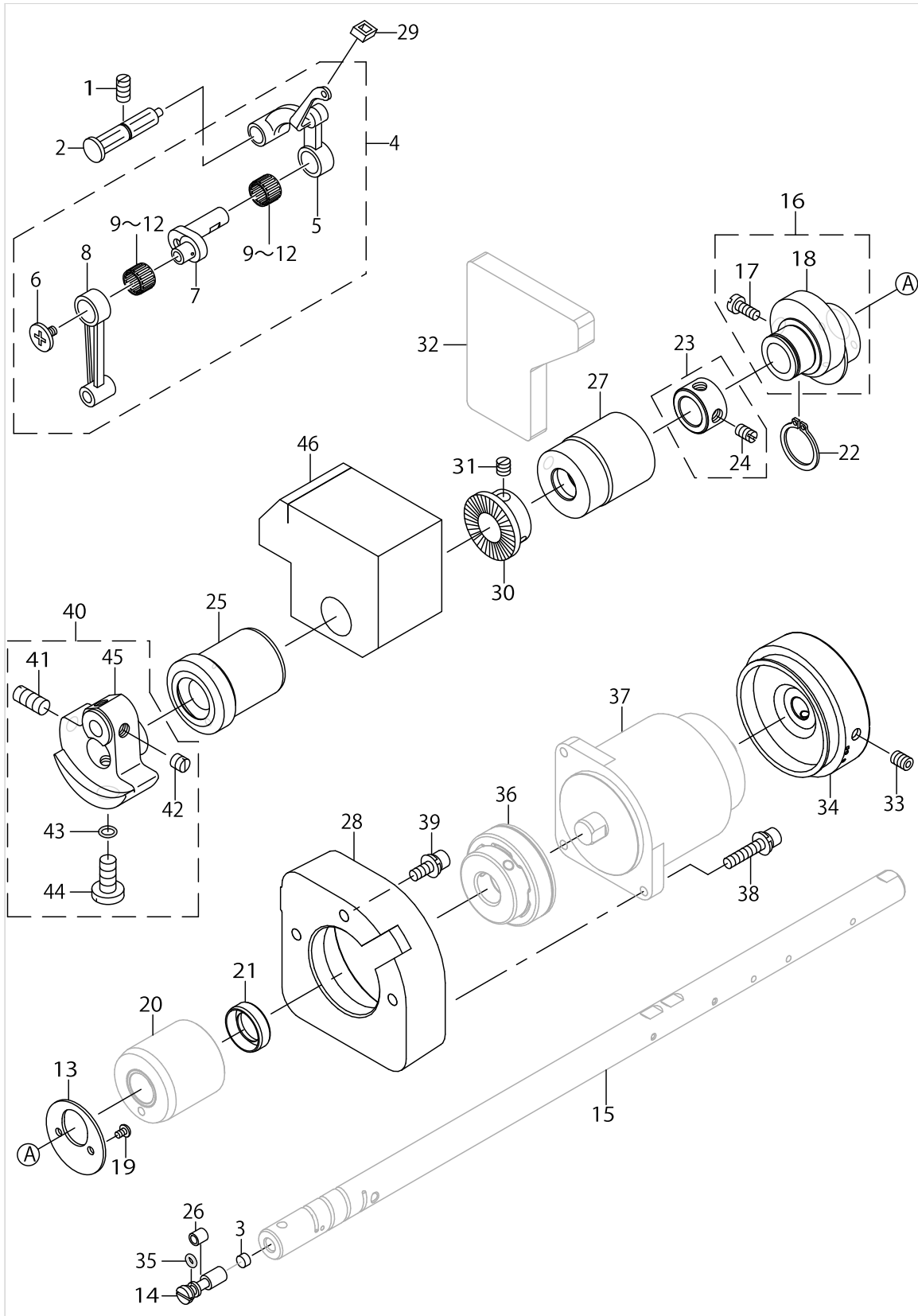


BOBBIN WINDER COMPONENTS

No.	Parts No.	Parts name	Remarks	Level	Cons	Qty
1	40110976	BOBBIN_WINDER_UNIT				1
2	26260109	BTW_BASE		*		1
3	26260208	BTW_CAM_PLATE		*		1
4	26260307	BTW_BASE_SHAFT		*		1
5	26260406	BTW_SHAFT_BASE		*		1
6	26260505	BTW_CAM_LEVER		*		1
7	26260604	BTW_WHEEL		*		1
8	26260802	BTW_BEARING_SPACER		*		1
9	26261008	BTW_LEVER_SHAFT		*		1
10	26261206	BTW_SPACER		*		1
11	26261305	BTW_BEARING		*		2
12	26261503	BTW_WHEEL_RUBBER		*	☆	1
13	26261602	BOBBIN_SPRING		*	☆	1
14	26261701	BTW_SPRING		*		1
15	40011144	BTW_TORSION_SPRING		*		1
16	40110975	BTW_SHAFT		*		1
17	40021933	BTW_LEVER		*		1
18	RC0560711KP	RETAINING RING		*		1
19	RE0400000K0	E-RING 4		*		1
20	SM5040655SN	SCREW		*		1
21	SM8040802TP	SCREW M4X8		*		2
22	SM8050502TP	SCREW M5 L=5		*		1
23	WP0450826SC	WASHER 4.5X10X0.8		*		1
24	40119475	OIL_GUARD		*		1
25	40110731	BOBBIN_THREAD_TENSION_ASSY				1
26	40110734	BOBBIN_THREAD_ROD_ASSY		*		1
27	NS6120630SP	NUT 3/16-28		*		1
28	22921506	THREAD TENSION DISK		*		2
29	D7133555B00	CONNECTING ROD SPRING		*		1
30	22945703	THREAD TENSION NUT		*		1
31	SM0050801SC	SCREW				1
32	40037008	THREAD_CUTTER				1
33	40163521	PACKING				1
34	40113241	BTW SPACER				1
35	SM0050801SC	SCREW				3



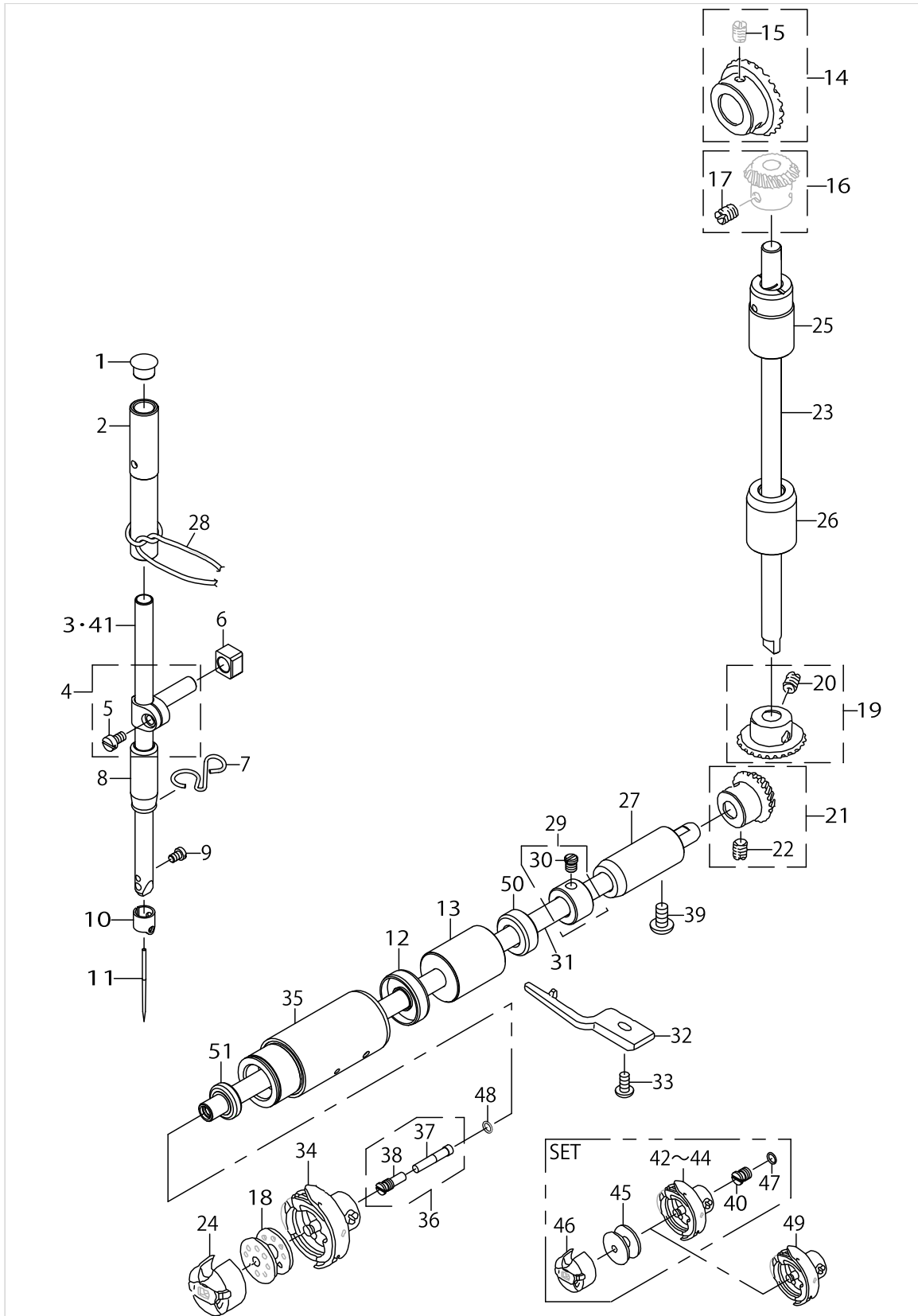
MAIN SHAFT & THREAD TAKE-UP LEVER COMPONENTS



MAIN SHAFT & THREAD TAKE-UP LEVER COMPONENTS

No.	Parts No.	Parts name	Remarks	Level	Cons	Qty
1	SS8151150TP	SCREW 15/64-28 L=10.5				1
2	22919559	THREAD TAKE-UP CRANK SHAFT ASM.				1
3	11002904	ROLLER FELT				1
4	22918072	THREAD TAKE-UP LEVER COMPL.				1
5	22918064	THREAD TAKE-UP LEVER ASM.		*		1
6	22918304	LEFT SCREW		*		1
7	22918106	NEEDLE BAR CRANK		*		1
8	22906606	NEEDLE BAR CRANK ROD		*		1
9	22918403	NEEDLE BEARING A	SELECTIVE PARTS	*		2
10	22918502	NEEDLE BEARING B	SELECTIVE PARTS	*		2
11	22918601	NEEDLE BEARING C	SELECTIVE PARTS	*		2
12	22918700	NEEDLE BEARING D	SELECTIVE PARTS	*		2
13	22910103	THRUST COLLAR				1
14	22903900	ADJUSTING PIN				1
15	40110977	MAIN_SHAFT				1
16	22910053	FEED DRIVE ECCENTRIC CAM ASM.				1
17	SS6661110SP	SCREW 1/4-40 L=11		*		2
18	22910004	FEED DRIVE ECCENTRIC CAM		*		1
19	SS4090615SP	SCREW 9/64-40 L=6				2
20	40110978	MAIN_SHAFT_BUSHING				1
21	40139216	OIL_SEAL				1
22	RC1850001KP	SNAP RING 18.5				1
23	40137504	THRUST_COLLAR_ASM				1
24	SS8660610TP	SCREW 1/4-40 L=6		*		2
25	22903207	MAIN SHAFT BUSHING FRONT				1
26	B1215552000	OIL ADJUSTING COLLAR				1
27	22903306	BUSHING INTERMEDIATE				1
28	40110979	MAIN_MOTOR_BASE_76				1
29	22919203	OIL PROTECTING RUBBER				1
30	22538805	DRIVING WHEEL				1
31	SS8660610TP	SCREW 1/4-40 L=6				2
32	40111424	FILTER				1
33	SM80608A2TP	SCREW M6 L=8				2
34	40111872	HAND_PULLEY				1
35	RO029180100	RUBBER RING				1
36	40111025	COUPLING_ASM.				1
37	40140419	SERVO MOTOR				1
38	SL6052592TN	BOLT				3
39	SL6051492TN	BOLT				3
40	40110390	COUNTER_WEIGHT_ASM.				1
41	SS8681650TP	SCREW 9/32-28 L=16		*		1
42	SS8660610TP	SCREW 1/4-40 L=6		*		2
43	RO044240100	RUBBER RING		*		1
44	SS7681650TP	SCREW 9/32-28 L=16		*		1
45	40110376	COUNTER_WEIGHT		*		1
46	40191470	FILTER				1

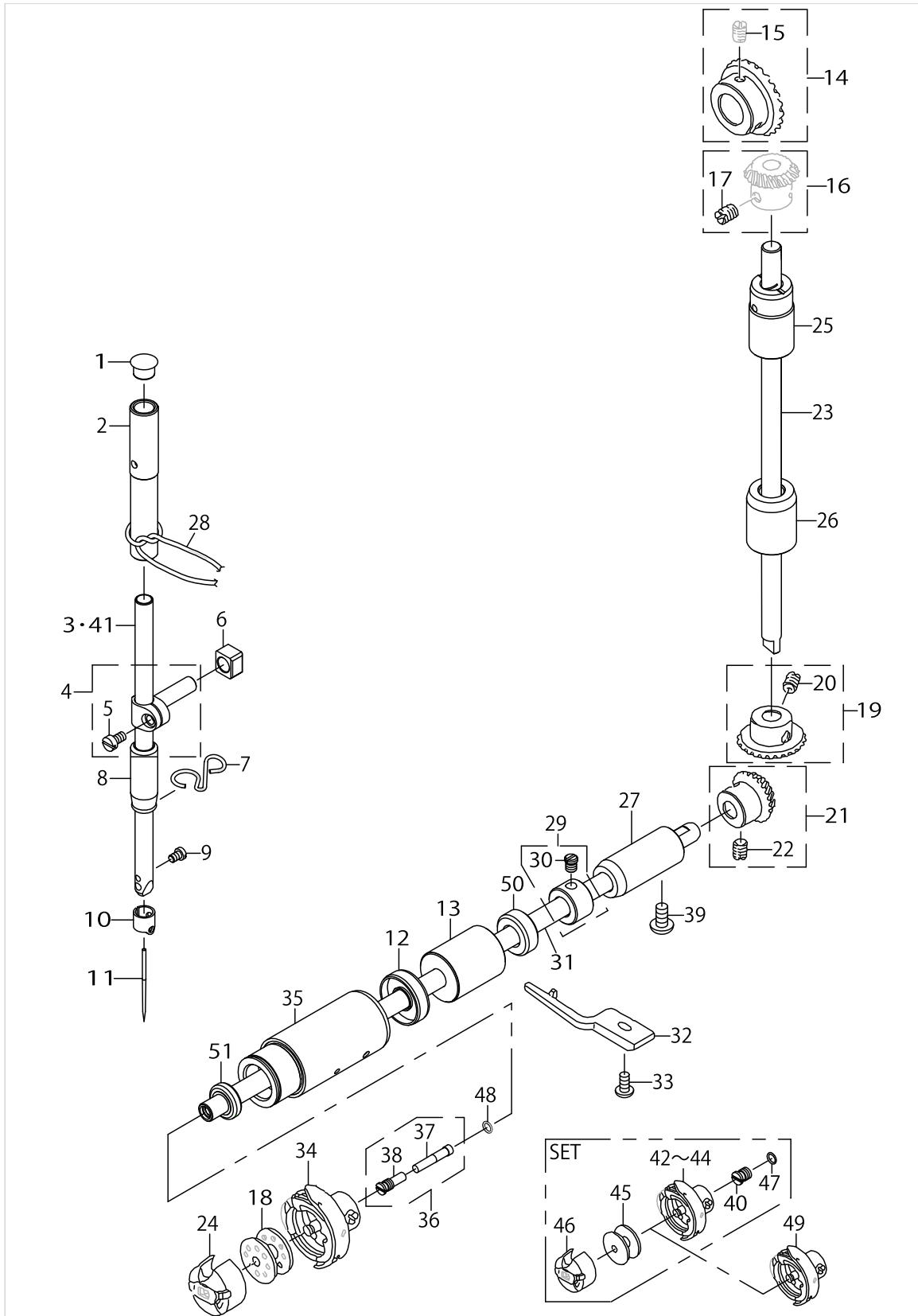
NEEDLE BAR, UPRIGHT SHAFT & HOOK DRIVING SHAFT COMPONENTS



NEEDLE BAR, UPRIGHT SHAFT & HOOK DRIVING SHAFT COMPONENTS

No.	Parts No.	Parts name	Remarks	Level	Cons	Qty
1	TA0850604R0	RUBBER PLUG				1
2	22906101	NEEDLE BAR BUSHING UPPER				1
3	22939508	NEEDLE BAR				1
4	22906457	NEEDLE BAR HOLDER ASM.				1
5	SS6090670TP	SCREW 9/64-40 L=6		*		1
6	40090058	SLIDE BLOCK				1
7	40141523	NEEDLE BAR THREAD GUIDE P				1
8	22906200	NEEDLE BAR BUSHING LOWER				1
9	SS7080510TP	SCREW 1/8-44 L=4.5			☆	1
10	22906309	NEEDLE BAR THREAD GUIDE				1
11	MDB100B1400	NEEDLE DBX1 #14			☆	1
12	23620206	OIL SEAL				1
13	40184540	HOOK_SHAFT_MIDDLE_METAL				1
14	40090002	UPPER LARGE BEVEL GEAR ASM.				1
15	SS8660810TP	SCREW 1/4-40 L=8		*		2
16	40090003	UPPER SMALL BEVEL GEAR ASM.				1
17	SS8660810TP	SCREW 1/4-40 L=8		*		2
18	22932909	BOBBIN			☆	1
19	40090004	LOWER LARGE BEVEL GEAR ASM.				1
20	SS8660810TP	SCREW 1/4-40 L=8		*		2
21	40090005	LOWER SMALL BEVEL GEAR ASM.				1
22	SS8660810TP	SCREW 1/4-40 L=8		*		2
23	22905004	UPRIGHT SHAFT				1
24	11038759	BOBBIN CASE ASM.			☆	1
25	22905103	UPRIGHT SHAFT BUSHING UPPER				1
26	22905202	UPRIGHT SHAFT BUSHING LOWER				1
27	22916308	HOOK DRIVING SHAFT BUSH REAR				1
28	CQ220000000	OUL WICK				0.3
29	40136014	THRUST COLLAR ASM.				1
30	SS6110420TP	SCREW 11/64-40 L=4.8		*		2
31	40127192	HOOK_DRIVING_SHAFT				1
32	40174351	INNER_HOOK_HOLDER				1
33	SS6111210SP	SCREW 11/64-40 L=12				1
34	11038650	HOOK ASM.			☆	1
35	40190562	HOOK_SHAFT_FRONT_METAL_ASM				1
36	22916555	OIL SEAL SCREW ASM.			☆	1
37	11015906	OIL WICK		*		1
38	22916506	SET SCREW		*		1
39	SS4120925SP	SCREW 3/16-28 L=9				1
40	11079506	FRONT SCREW	OPTIONAL PARTS			1
41	22939607	NEEDLE BAR B	ACCORDING TO DESTINATIONS			1
42	22890404	RP HOOK C	OPTIONAL PARTS		☆	1
43	22890206	RP HOOK	OPTIONAL PARTS		☆	1
44	22890305	RP HOOK S	OPTIONAL PARTS		☆	1
45	B9117552A00	BOBBIN	OPTIONAL PARTS		☆	1
46	22896252	BOBBIN CASE ASM.	OPTIONAL PARTS		☆	1

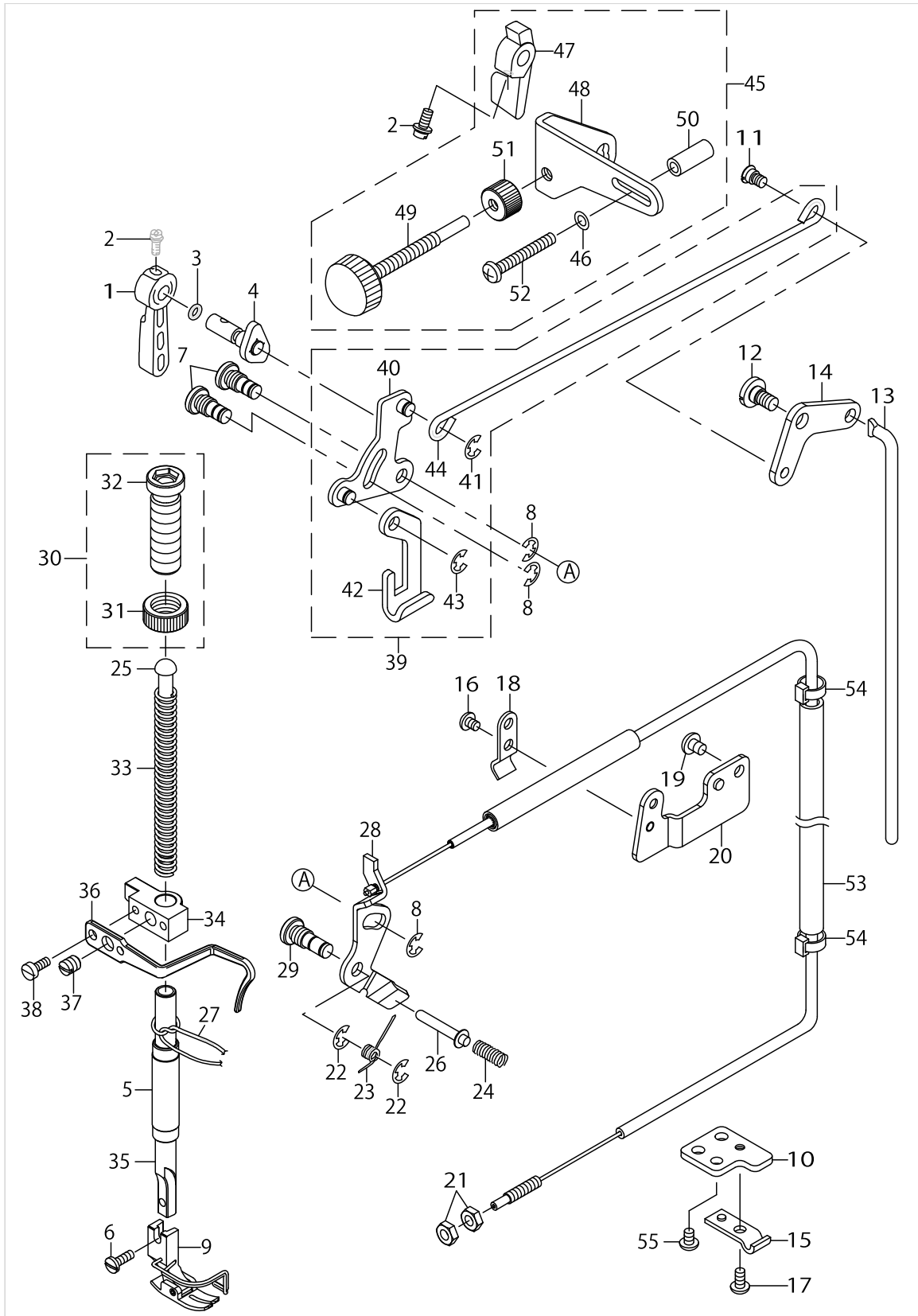
NEEDLE BAR, UPRIGHT SHAFT & HOOK DRIVING SHAFT COMPONENTS



NEEDLE BAR, UPRIGHT SHAFT & HOOK DRIVING SHAFT COMPONENTS

No.	Parts No.	Parts name	Remarks	Level	Cons	Qty
47	RO036080200	RUBBER RING	OPTIONAL PARTS			1
48	RO036080200	RUBBER RING				1
49	40126849	HOOK ASM.	OPTIONAL PARTS			1
50	40086744	HOOK DRIVING SHAFT OIL SEAL				1
51	40010805	OIL SEAL RING				1

# HAND LIFTER COMPONENTS

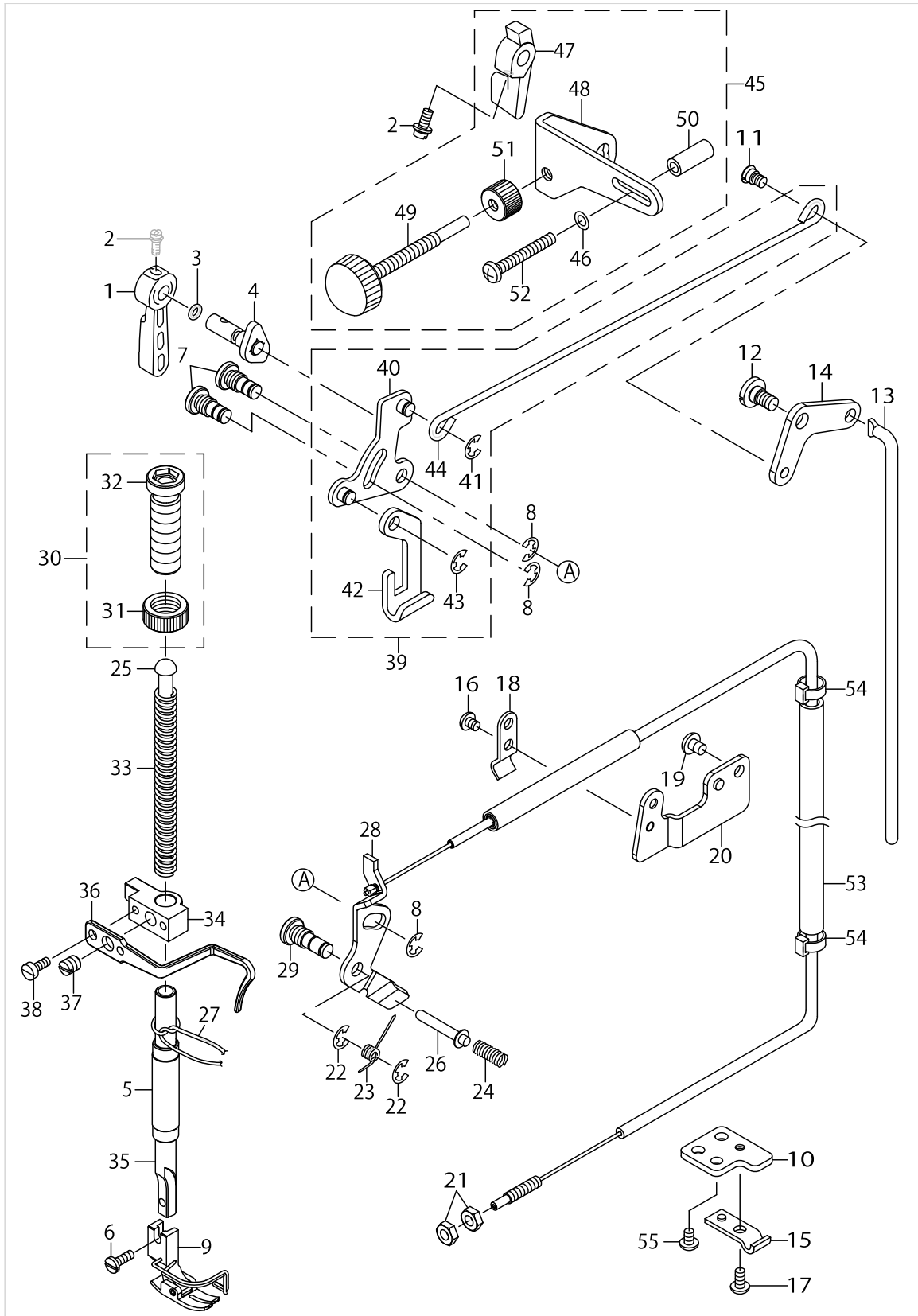


HAND LIFTER COMPONENTS

No.	Parts No.	Parts name	Remarks	Level	Cons	Qty
1	22907802	HAND LIFTER				1
2	B1521555000	SCREW				1
3	RO037180100	RUBBER RING				1
4	22908552	HAND LIFTER CAM ASM.				1
5	40060989	PRESSER BAR BUSHING LOWER				1
6	SS7091110TP	SCREW 9/64-40 L=10.5			☆	1
7	22908701	LINK SHAFT				2
8	RE0500000K0	E-RING				3
9	B15240120BA	PRESSER FOOT ASM.				1
10	40050314	OUTER HOLDER BASE				1
11	22908909	HINGE SCREW				1
12	SD0720331SP	HINGE SCREW D=7.24 H=3.3				1
13	22909006	KNEE LIFTER CONNECTING ROD				1
14	22908800	KNEE LIFTER LINK				1
15	D3164555B00	OUTER PRESSER PLATE				1
16	SS4110515SP	SCREW 11/64-40 L=5				1
17	SM4050855SP	SCREW				1
18	40186696	WIRE HOLDER				1
19	SS4120615SP	SCREW 3/16-28 L=6				1
20	40187308	WIRE PRESSER BASE				1
21	NS6620310SP	NUT 3/16-32				2
22	RE0500000K0	E-RING				2
23	22920201	RETURN SPRING				1
24	22920409	THREAD RELEASE PIN SPRING				1
25	22907703	PRESSER GUIDE BAR				1
26	22920300	THREAD RELEASE SUPPORTING PIN				1
27	CQ202000000	OIL WICK				0.15
28	40184541	THREAD_RELEASE_WIRE_ASM				1
29	22920102	TENSION RELEASE SHAFT				1
30	22907554	PRESSER SPRING REGULATOR ASM.				1
31	22907604	PRESSER SPRING REGULATOR NUT		*		1
32	22907505	PRESSER SPRING REGULATOR		*		1
33	22907406	PRESSER SPRING				1
34	40098388	PRESSER BAR GUIDE BRACKET				1
35	40017805	PRESSER BAR				1
36	22907307	THREAD GUIDE				1
37	SS8660810TP	SCREW 1/4-40 L=8				1
38	SS6090910SP	SCREW 9/64-40 L=9				2
39	22908354	KNEE LIFTING CROSS ROD ASM.				1
40	22908156	LIFTING LINK ASM.		*		1
41	RE0500000K0	E-RING		*		1
42	22908008	LIFTING PLATE		*		1
43	RE0500000K0	E-RING		*		1
44	22908305	KNEE LIFTER SIDE ROD		*		1
45	11243763	PRESSER LIFTING DEVICE ASM.	OPTIONAL PARTS			1
46	WP0482086SD	WASHER 4.8X11.5X2		*		1
47	23611106	HAND LIFTER		*		1



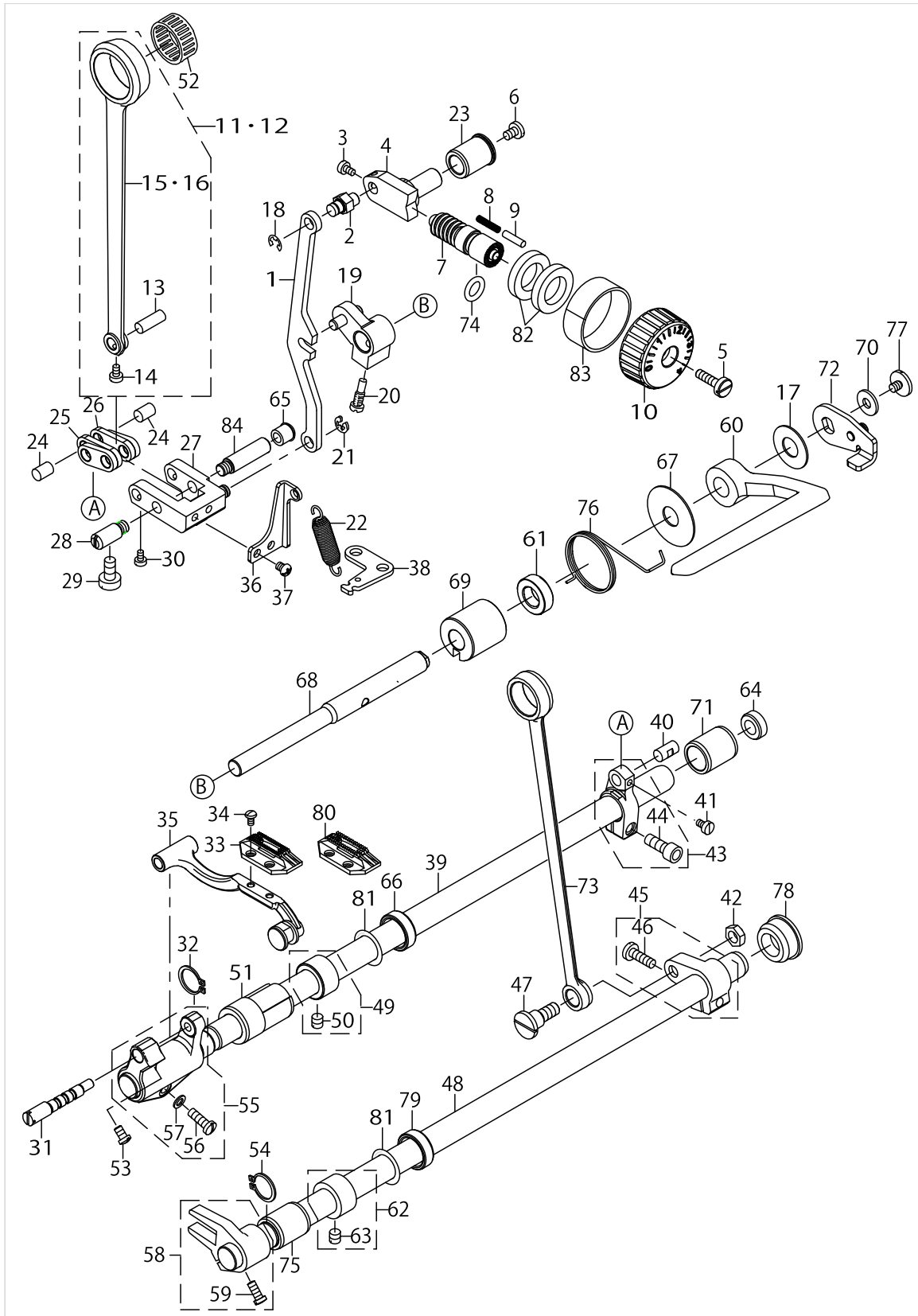
# HAND LIFTER COMPONENTS



## HAND LIFTER COMPONENTS

No.	Parts No.	Parts name	Remarks	Level	Cons	Qty
48	11244209	STOPPER BASE		*		1
49	23610652	STOPPER SCREW ASM.		*		1
50	11244019	STOPPER COLLAR		*		1
51	23610702	STOPPER SCREW NUT		*		1
52	11433802	SET SCREW		*		1
53	BT1000651EB	POLYURETHANE TUBE				0.22
54	HX00065000A	CABLE CLIP				2
55	SM4040885SP	SCREW				1

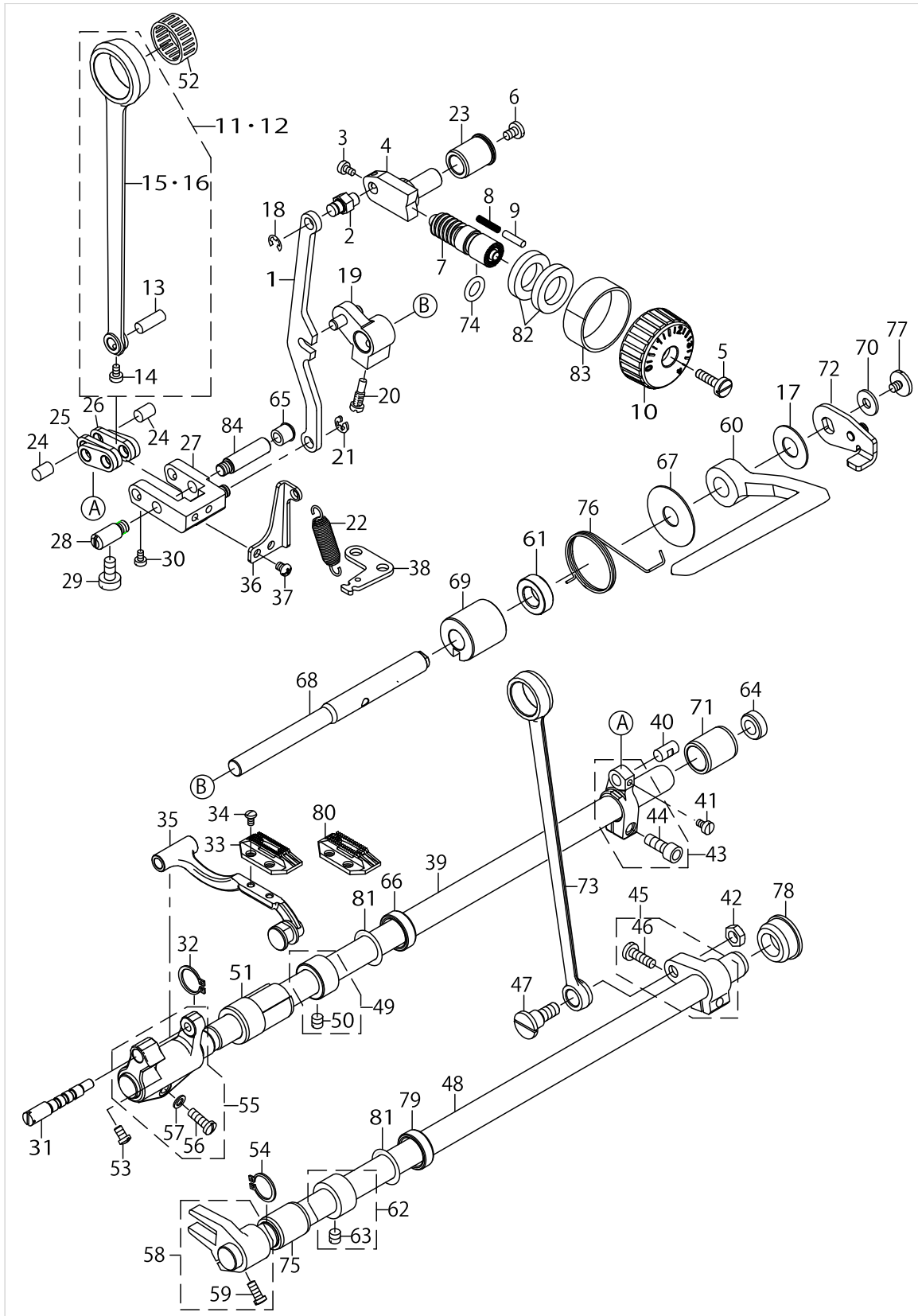
FEED MECHANISM COMPONENTS



FEED MECHANISM COMPONENTS

No.	Parts No.	Parts name	Remarks	Level	Cons	Qty
1	22911408	FEED REGULATOR CONNCTING ROD				1
2	22911507	WALKING FOOT PIN C				1
3	SS6090670TP	SCREW 9/64-40 L=6				2
4	22911606	FEED REGULATOR				1
5	SS6121860SP	SCREW 3/16-28 L=18				1
6	SS7120770SH	SCREW 3/16-28 L=7				1
7	22911804	FEED REGULATOR SCREW				1
8	22912109	FEED REGULATOR PIN SPRING				1
9	22912000	FEED REGULATOR PIN				1
10	22940506	FEED DIAL				1
11	22910251	CONNECTING ROD ASM.				1
12	22913859	ROCKER SHAFT CONNECTING ROD B ASM.	ACCORDING TO DESTINATIONS			1
13	22911101	WALKING FOOT PIN C		*		1
14	SS6090620TP	SCREW		*		1
15	22910202	ROCKER SHAFT CONNECTING ROD		*		1
16	22913800	ROCKER SHAFT CONNECTING ROD B	ACCORDING TO DESTINATIONS	*		1
17	13887005	THRUST WASHER				1
18	RE0500000K0	E-RING				1
19	22912257	FEED REVERSE ARM ASM.				1
20	22912505	FEED REVERSE ARM SCREW				1
21	RE0500000K0	E-RING				1
22	11037405	SPRING				1
23	11009800	FEED REGULATOR BUSHING				1
24	22910905	WALKING FOOT PIN A				2
25	40089548	CONNECTING LINK B				2
26	40093417	CONNECTING LINK A				2
27	22910459	FEED ADJUSTING LINK ASM.				1
28	22910806	ADJUST LINK FULCRUM SHAFT A				1
29	SS6151220SP	SCREW 15/64-28 L=11.5				2
30	SS6090620TP	SCREW				2
31	40125485	FEED_BASE_SHAFT				1
32	RC0150001KP	RETAINING RING 13.8				1
33	B1613012I00	FEED DOG I				1
34	SS4080620TP	SCREW 1/8-44 L=6				2
35	22940753	FEED BAR ASM.				1
36	22941306	REGULATOR LINK SPRING HOOK				1
37	SS4110515SP	SCREW 11/64-40 L=5				2
38	22913701	FEED SPRING HOOK				1
39	40156684	FEED ROCKER SHAFT				1
40	22911002	WALKING FOOT PIN B				1
41	SS6090620TP	SCREW				1
42	NS6680410SP	NUT 9/32-28				1
43	40110379	ASSY_FEED_ROCKER_ARM				1
44	SS6121610SP	SCREW 3/16-28 L=15.5		*		1
45	40109422	FEED_ARM_ASM				1
46	SS7121610SP	SCREW 3/16-28 L=15.5		*		1

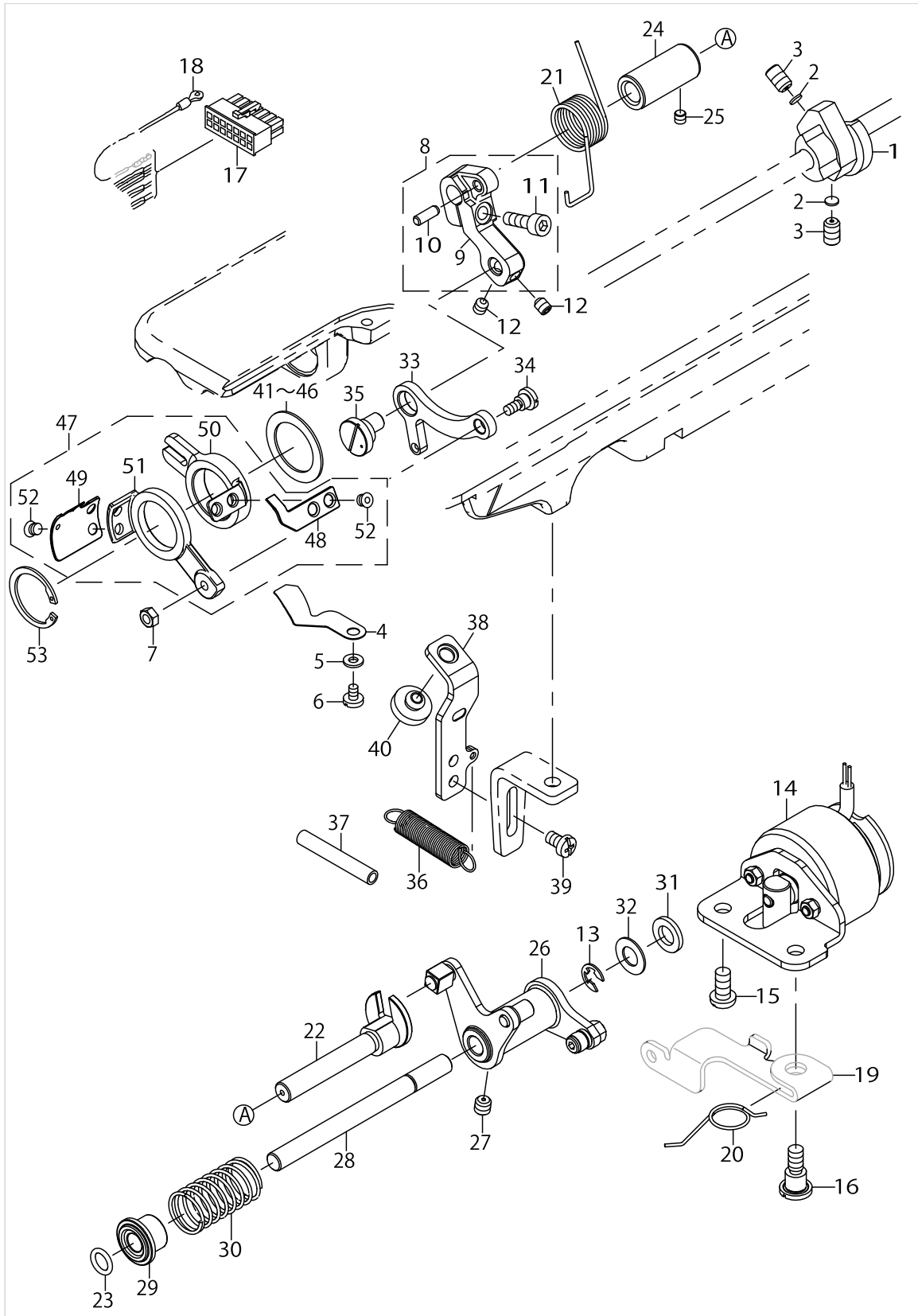
# FEED MECHANISM COMPONENTS



FEED MECHANISM COMPONENTS

No.	Parts No.	Parts name	Remarks	Level	Cons	Qty
47	SD1000801SH	HINGE SCREW D=10 H=8				1
48	40186644	FEED_DRIVING_SHAFT				1
49	40137504	THRUST_COLLAR_ASM				1
50	SS8660610TP	SCREW 1/4-40 L=6		*		2
51	40184536	FEED_ROCKER_SHAFT_METAL				1
52	40111897	BEARING	ACCORDING TO DESTINATIONS			1
53	SS7110740TP	SCREW 11/64-40 L=7				1
54	RC0150001KP	RETAINING RING 13.8				1
55	22940654	FEED ROCKER ASM.				1
56	SS7121410TP	SCREW 3/16-28 L=14		*		1
57	WP0480856SP	WASHER 4.8X8.4X0.8		*		1
58	22915359	DRIVING SHAFT CRANK ASM.				1
59	SS7111120SP	SCREW 11/64-40 L=10.5		*		1
60	40184533	FEED LEVER				1
61	22888507	OIL SEAL				1
62	40137504	THRUST_COLLAR_ASM				1
63	SS8660610TP	SCREW 1/4-40 L=6		*		2
64	40156758	FEED SHAFT RUBBER				2
65	TA0950806R0	RUBBER PLUG				1
66	40029963	OIL SEAL				1
67	40186209	THRUST_WASHER_B				1
68	40184531	REVERSE_FEED_LEVER_SHAFT				1
69	40184535	REVERSE_FEED_LEVER_SHAFT_METAL				1
70	WP0611626SP	WASHER 15X6X1.6				1
71	22887905	BUSHING,REAR				1
72	40190446	ASSY CONDENSE LINK				1
73	22915003	CONNECTING ROD				1
74	RO092270200	RUBBER RING				1
75	22913008	FEED ROCKER SHAFT BUSHING				1
76	40184537	REVERSE_FEED_LEVER_SPRING				1
77	SS7620750SP	SCREW 3/16-32 L=6.5				1
78	TA2351004R0	RUBBER PLUG				1
79	40029963	OIL SEAL				1
80	40133950	FEED_DOG_M	ACCORDING TO DESTINATIONS			1
81	RO133170100	RUBBER RING				2
82	22953400	RUBBER PLUNGER				2
83	40190682	RUBBER				1
84	40010395	ADJUSTING LINK FULCRUM SHAFT B				1

# THREAD TRIMMER COMPONENTS

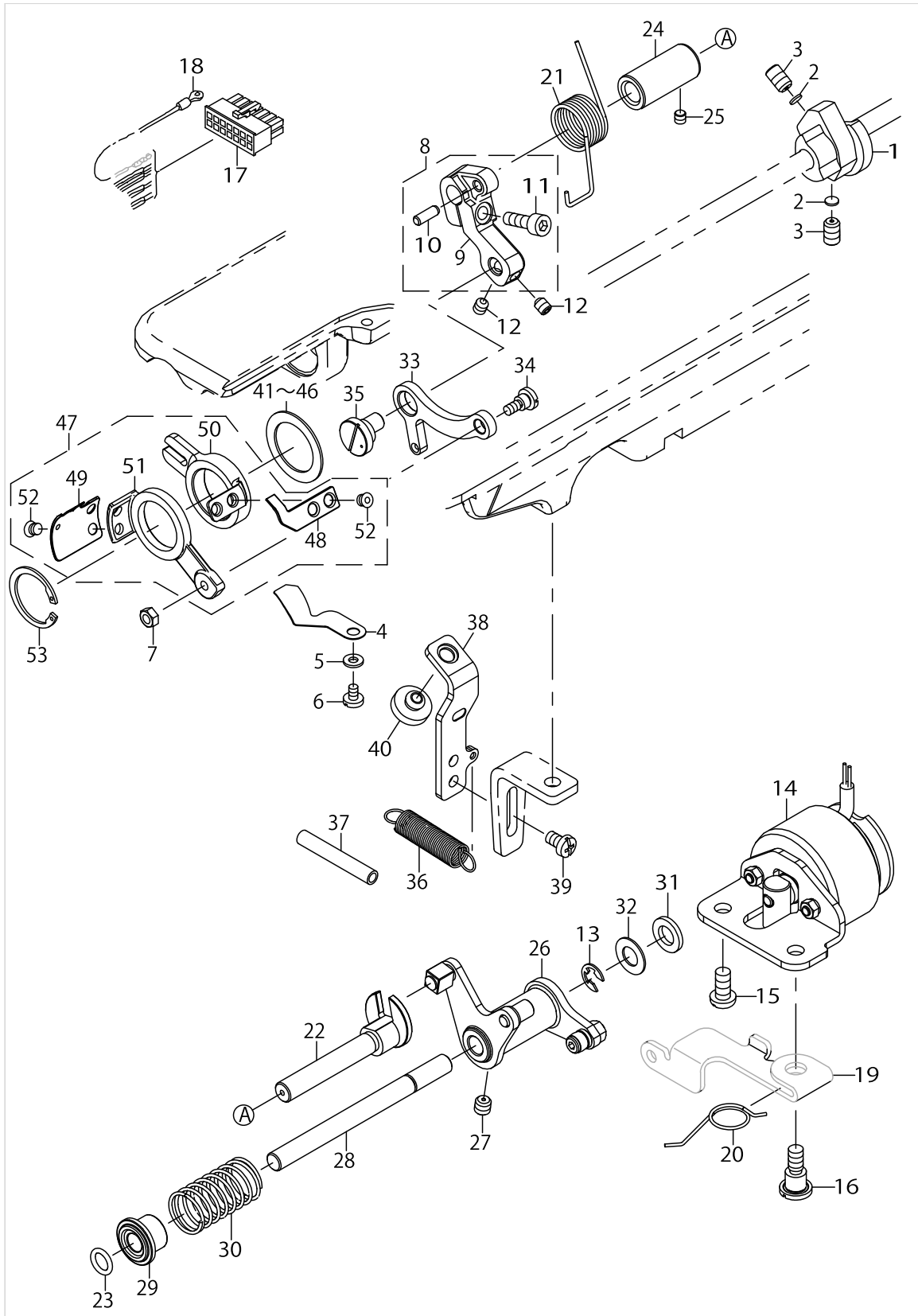


THREAD TRIMMER COMPONENTS

No.	Parts No.	Parts name	Remarks	Level	Cons	Qty
1	40196923	THREAD_TRIMMER_CAM				1
2	40127153	SPACER				2
3	SS8661012TP	SCREW				2
4	40190553	LOWER THREAD FINGER			☆	1
5	WP0371016SD	WASHER 3.7X8X1				1
6	SS7090610SP	SCREW 9/64-40 L=6				1
7	NM6040001SC	NUT M4X0.7 TYPE1				1
8	40194939	ASSY THREAD TRIMMER ARM				1
9	40190558	THREAD_TRIMMER_ARM		*		1
10	40172479	THREAD_TRIMMER_ARM_PIN		*	☆	1
11	SM6051602TP	SCREW M5X0.8 L=16		*		1
12	SM80506A2TP	SCREW M5 L=6				2
13	RE0600000K0	E-RING 6				1
14	40186203	THREAD_TRIMMER_SOLENOID_ASM				1
15	SS4151215SP	SCREW 15/64-28 L=12				1
16	SD0850751SP	HINGE SCREW D=8.50 H=7.5				1
17	HK034610140	HOUSING 14P				1
18	40112907	GROUND WIRE ASM				1
19	40184558	THREAD_RELEASE_LEVER				1
20	40127190	RETURN_SPRING				1
21	40127164	SPRING				1
22	40187734	FORKED_SHAFT				1
23	RO078190100	RUBBER RING				1
24	40184557	FORKED_SHAFT_BUSH				1
25	SS8110422TP	SCREW 11/64-40 L=4				1
26	40127168	THREAD_TRIMMER_CAM_LEVER_ASSY				1
27	SS8660612TP	SCREW 1/4-40 L=6				1
28	40127180	THREAD_TRIMMER_CAMLEVER_SHAFT				1
29	40187306	THREAD TRIMMER SPRING COLLAR				1
30	40127182	SPRING				1
31	40127183	CUSHION				1
32	WP0820816SD	WASHER 8.2X16X0.8				1
33	40190557	THREAD TRIMMER ROD				1
34	SD0600406TP	SHOULDER SCREW				1
35	40172480	TRIMMER_ADJUSINGT_PIN				1
36	40190559	TRIMMER BACK SPRING				1
37	40178658	PIPE				0.04
38	40196831	RUBBER STOPPER PLATE				1
39	SM4050855SP	SCREW				2
40	B1116210D00	FRAME SUPPORT RUBBER				1
41	11419504	THRUST COLLAR, A	SELECTIVE PARTS			1
42	11419603	THRUST COLLAR, B	SELECTIVE PARTS			1
43	11419702	THRUST COLLAR, C	SELECTIVE PARTS			1
44	11419801	THRUST COLLAR, D	SELECTIVE PARTS			1
45	11419900	THRUST COLLAR, E	SELECTIVE PARTS			1
46	40174612	SPACER				1
47	40194932	KNIFE UNIT				1



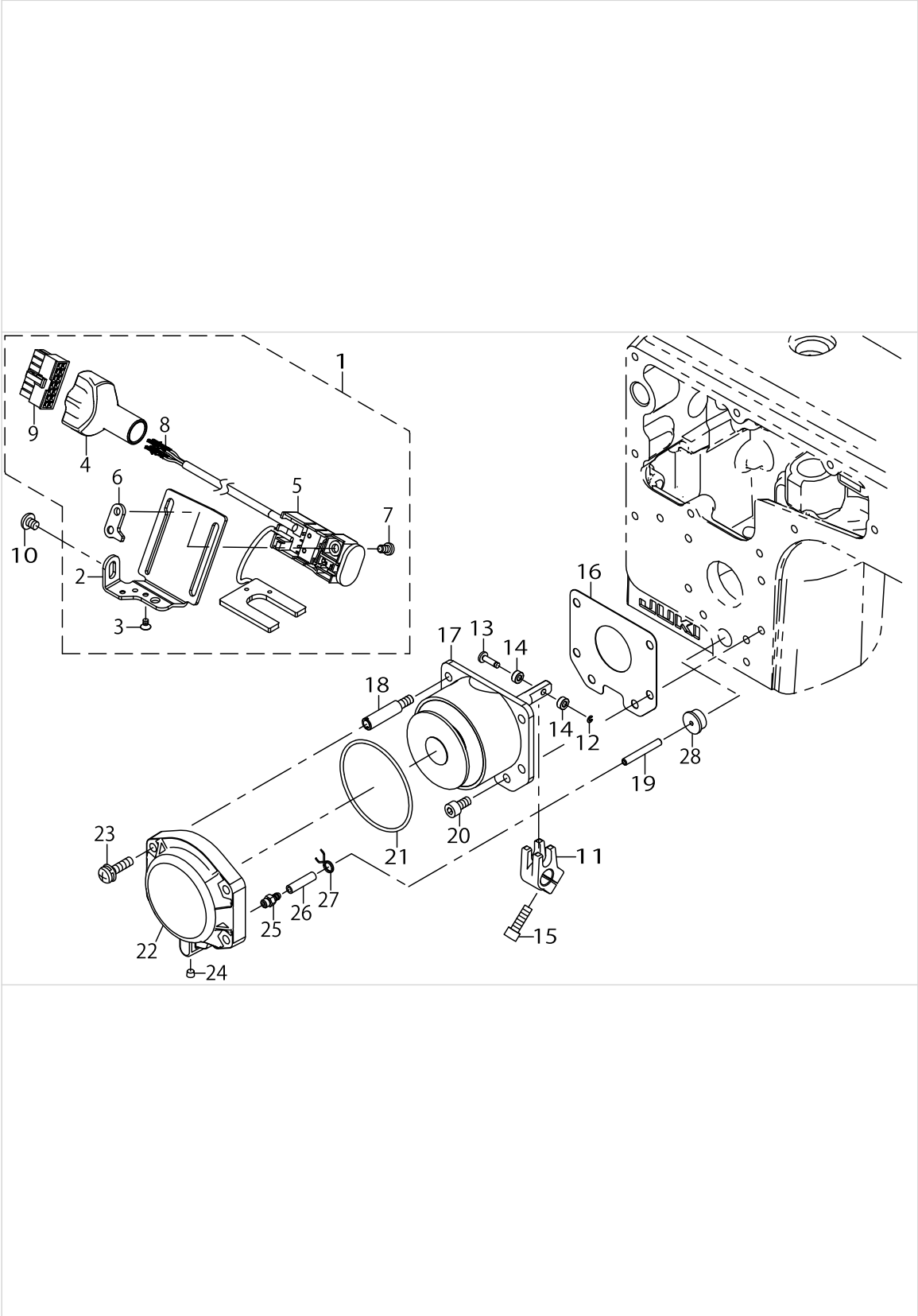
# THREAD TRIMMER COMPONENTS



THREAD TRIMMER COMPONENTS

No.	Parts No.	Parts name	Remarks	Level	Cons	Qty
48	40195552	THREAD TRIMMER KNIFE H		*	☆	1
49	40195289	MOVING KNIF		*	☆	1
50	40190556	THREAD TRIMMER BASE		*		1
51	40190555	MOVING KNIFE BASE		*		1
52	11420601	SCREW		*	☆	4
53	RC2651218KP	RETAINING RING				1

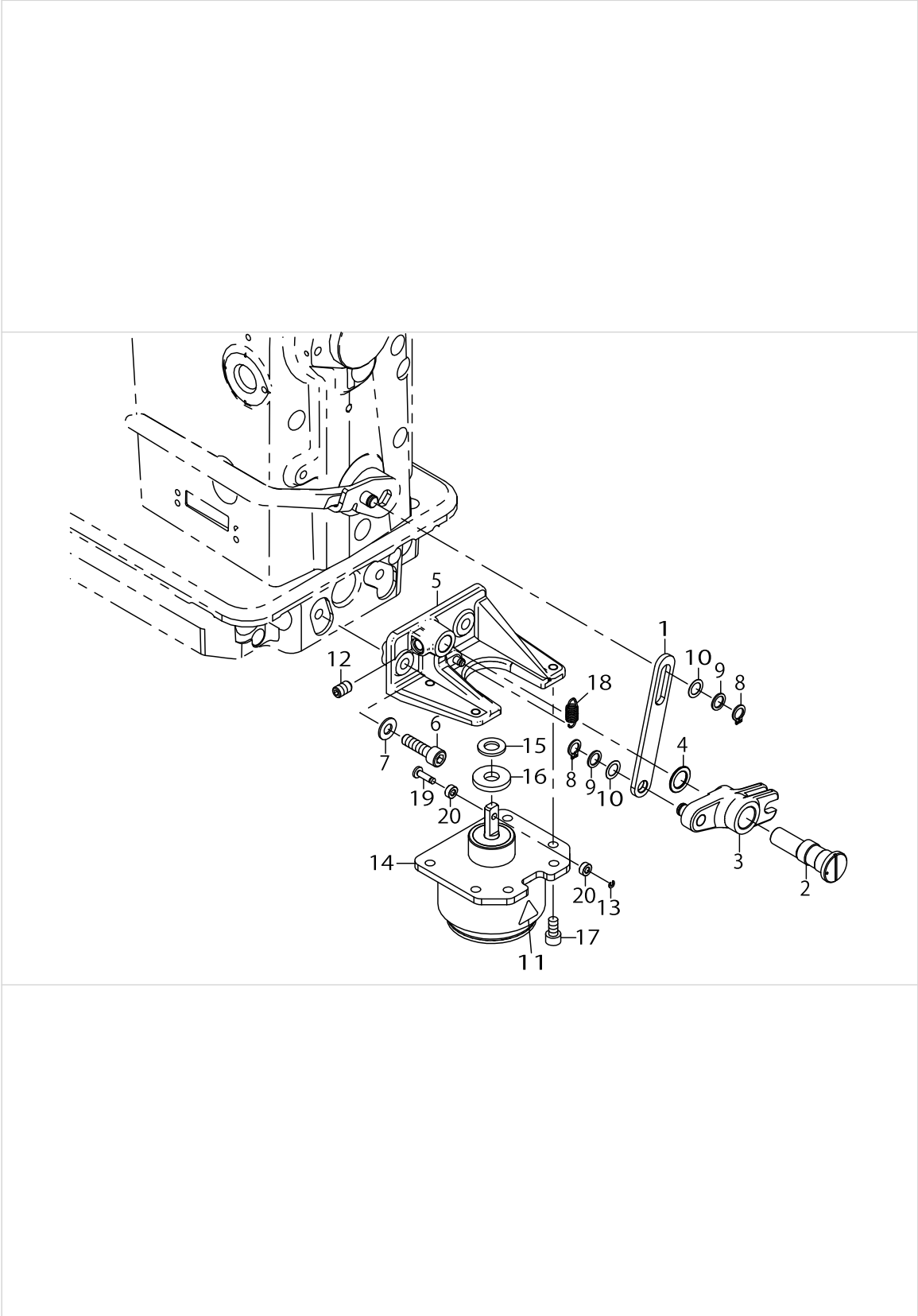
AUTOMATIC REVERSE FEED COMPONENTS



AUTOMATIC REVERSE FEED COMPONENTS

No.	Parts No.	Parts name	Remarks	Level	Cons	Qty
1	40148382	LED_BT_SWITCH_ASSY			☆	1
2	40139771	LED_BASE		*		1
3	40140191	LED_SCREW		*		2
4	40140306	CONNECTOR_COVER		*		1
5	40149069	LED_BT_SWITCH		*		1
6	23632102	REVERSE FEED SWITCH BASE GUIDE		*		1
7	SS7110740TP	SCREW 11/64-40 L=7		*		1
8	HK03464000B	PIN CONTACT		*		4
9	HK034610140	HOUSING 14P		*		1
10	SS4120615SP	SCREW 3/16-28 L=6				1
11	40184562	REVERSE_FEED_ARM				1
12	RC0260415K0	C-RING				1
13	11217114	ROLLER SHAFT				1
14	11217213	ROLLER				2
15	SM6051602TP	SCREW M5X0.8 L=16				1
16	40184560	REVERSE_FEED_SOLENOID_PACKING				1
17	40198464	REVERSE_FEED_SOLENOID				1
18	40187304	STUD				4
19	40186847	REVERSE FEED SOLENOID PIPE				1
20	SM6051002TP	SCREW M5X0.8 L=10				2
21	RO555200200	O-RING				1
22	40187307	SOLENOID CAP				1
23	SL4052091SC	SCREW M5X0.8 L=20				4
24	TA0400301M0	PLUG D=4X4.5 L=3				1
25	SQ2050453MZ	CONNECTING SCREW				1
26	23630007	TUBE				0.02
27	23629306	PIPE STOPPER A				1
28	B3510205000	RUBBER PLUG				1

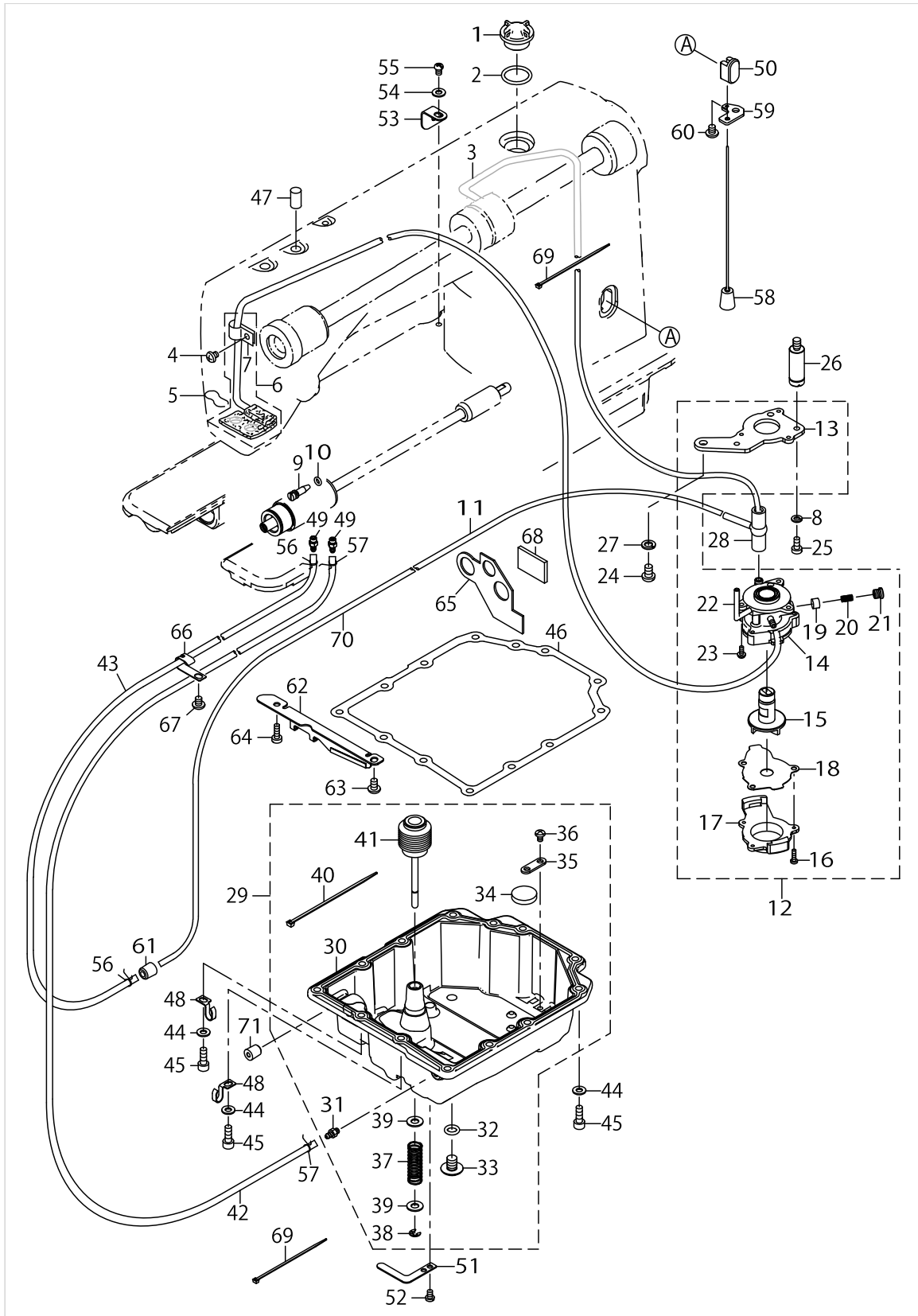
CONDENSE COMPONENTS



CONDENSE COMPONENTS

No.	Parts No.	Parts name	Remarks	Level	Cons	Qty
1	40190435	CONDENSE ROD				1
2	40190440	CONDENSE ARM SHAFT				1
3	40190450	ASSY CONDENSE ARM				1
4	10109700	THRUST WASHER, A				1
5	40194934	ASSY CONDENSE BASE				1
6	SM6062502TP	SCREW M6 L=25				2
7	WP0641600SC	WASHEW 6.4X12.5X1.6				2
8	RC0650811KP	C-RING 7(6.5)				2
9	40090529	TAKE_UP_CRANK_SHAFT_WASHER_B				2
10	WP0720316RZ	WASHER 7.2X11X0.25				2
11	CM300300001	SEAL				1
12	SS8661012TP	SCREW				1
13	RC0260415K0	C-RING				1
14	40190444	CONDENSE SOLENOID				1
15	WP0841600SD	WASHER M8				1
16	D6056555B00	RUBBER CUSHION (B)				1
17	SM6051002TP	SCREW M5X0.8 L=10				4
18	40190451	CONDENSE SPRING				1
19	11217114	ROLLER SHAFT				1
20	11217213	ROLLER				2

OIL LUBRICATION COMPONENTS

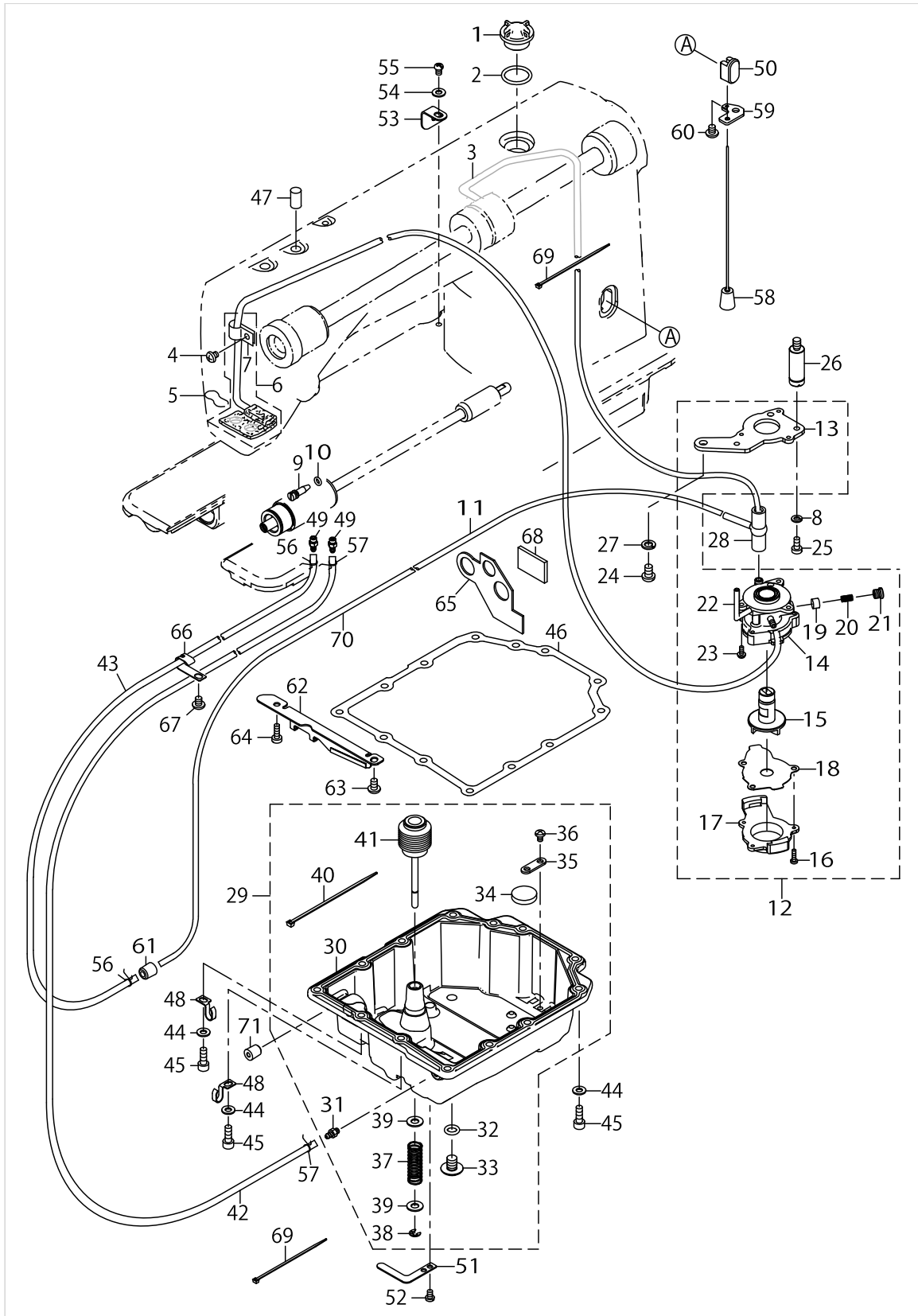


OIL LUBRICATION COMPONENTS

No.	Parts No.	Parts name	Remarks	Level	Cons	Qty
1	22924708	OIL SIGHT WINDOW				1
2	RO195240100	RUBBER RING				1
3	40184543	MAIN_SHAFT_OIL_TUBE				1
4	SS4120615SP	SCREW 3/16-28 L=6				1
5	22925101	OIL FELT PRESSER				1
6	22924153	OIL RETURN TUBE ASM.				1
7	22924302	HOLDER		*		1
8	WS0451040KP	SPRING WASHER 4.5X8.5X1				1
9	40037502	OIL ADJUSTING SCREW				1
10	RO037180100	RUBBER RING				1
11	40184575	HOOK_OIL_PIPE				1
12	22923056	LUBRICATING OIL PUMP ASM.				1
13	22923312	OIL PUMP INSTALLING BASE		*		1
14	22923015	OIL PUMP		*		1
15	22923700	OIL PUMP IMPELLER		*		1
16	SE4301041SR	SCREW D=3 L=10		*		1
17	22923205	LUBRICATING OIL PUMP COVER		*		1
18	22923809	OIL PUMP IMPELLER COVER		*		1
19	22923403	PLUNGER		*		1
20	22923601	PLUNGER SPRING		*		1
21	22923502	PLUNGER SCREW		*		1
22	22923908	HOOK DRIVING SHAFT OIL TUBE		*		1
23	SL4030851SF	SCREW M3 L=8		*		3
24	SS4150915SP	SCREW 15/64-28 L=9				1
25	SS6111010TP	SCREW 11/64-40 L=9.5				1
26	22924005	PUMP BODY STRUT				1
27	WS0651310KP	SPRING WASHER 6.5X11X1.3				1
28	22924609	RUBBER JOINT				1
29	40184544	OIL_SHIELD_ASSY				1
30	40184545	OIL_SHIELD		*		1
31	SQ2050453MZ	CONNECTING SCREW		*		1
32	13170105	RUBBER RING		*		1
33	13171004	DRAIN SCREW		*		1
34	B8228125000	OIL RESERVOIR MAGNET		*		1
35	40024644	MAGNET WASHER		*		1
36	SM4040655SP	SCREW M4 L=6		*		1
37	GAK30005000	SPRING		*		1
38	RE0400000K0	E-RING 4		*		1
39	WP0621016SD	WASHER 6.2X13X1		*		2
40	EA9500B0100	CABLE BAND		*		1
41	40184547	KNEE_LIFTER_PUSH_COMP		*		1
42	23630007	TUBE	SELECTIVE PARTS			0.1
43	23630007	TUBE	SELECTIVE PARTS			0.2
44	WP0501016SD	WASHER 5X10.5X1				13
45	SM6051402TP	SCREW M5X0.8 L=14				13
46	40184546	OIL_SHIELD_PACKING			☆	1
47	11039203	FELT				1



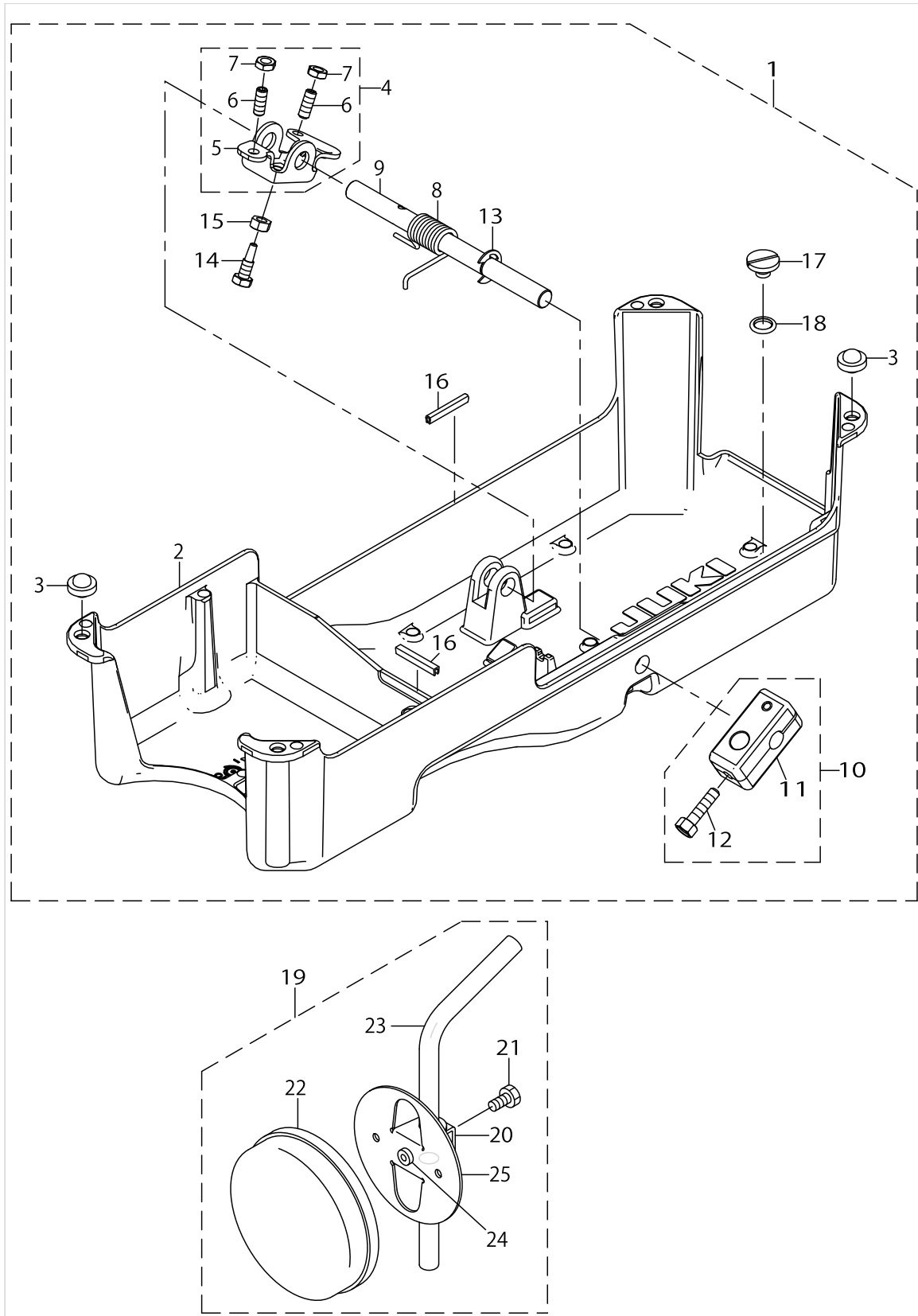
OIL LUBRICATION COMPONENTS



OIL LUBRICATION COMPONENTS

No.	Parts No.	Parts name	Remarks	Level	Cons	Qty
48	26231902	OIL WICK PIPE STOPPER				2
49	SQ2050453MZ	CONNECTING SCREW				2
50	40017215	OIL_SIGHT_WINDOW				1
51	13101407	LOOPER COVER PRESSER PLATE				1
52	SM4040655SP	SCREW M4 L=6				1
53	40028281	FEED_ADJUSTING_STOPPER				1
54	WP0501016SD	WASHER 5X10.5X1				1
55	SS4110615SP	SCREW 11/64-40 L=6				1
56	23629306	PIPE STOPPER A				2
57	23629306	PIPE STOPPER A				2
58	40184550	FLOATER_ASM				1
59	40184552	FLOATER_GUIDE				1
60	SS4120615SP	SCREW 3/16-28 L=6				1
61	40184553	PLUG				1
62	40187485	OIL BRACKET ASM				1
63	SM4050855SP	SCREW				1
64	SS6111210SP	SCREW 11/64-40 L=12				1
65	40187736	FELT				1
66	40136258	CORD HOLDER				1
67	SM4050655SP	SCREW M5 L=6				1
68	21345905	FACE ONCE THROUGH FELT				1
69	EA9500B0100	CABLE BAND				2
70	23630007	TUBE				0.2
71	40184553	PLUG				1

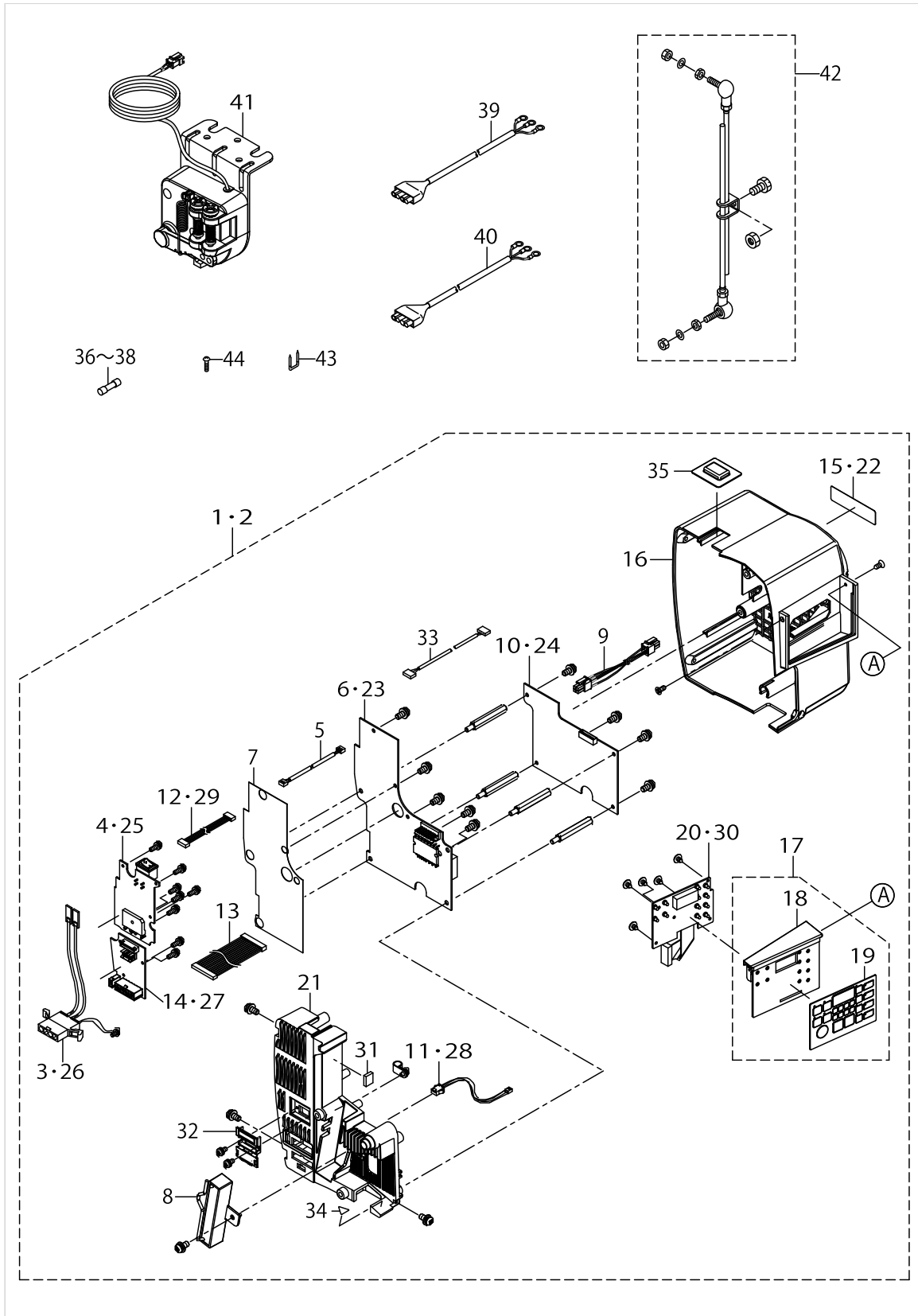
UNDER COVER COMPONENTS



UNDER COVER COMPONENTS

No.	Parts No.	Parts name	Remarks	Level	Cons	Qty
1	40195566	UNDER_COVER_ASSY				1
2	40190445	UNDER_COVER_ADD		*		1
3	B1116210D00	FRAME SUPPORT RUBBER		*		4
4	40156725	KNEE LIFTER ROTATION ARM ASM.		*		1
5	22932107	KNEE LIFTER ROTATING ARM		*		1
6	SM8061612TP	SCREW M6X16		*		2
7	NM6060003SC	NUT M6		*		2
8	40156726	KNEE LIFTER SPRING		*		1
9	40101541	KNEE_PRESS_CROSS_SHAFT		*		1
10	22932453	BRACKET ASM.		*		1
11	22932404	BRACKET		*		1
12	22934707	SCREW		*		2
13	RE1000000K0	E-RING 10		*		1
14	SM9061853SR	SCREW M6 L=17.5		*		1
15	NM6060001SE	NUT M6		*		1
16	HX00669000A	GROMMET		*		2
17	SS6700710SH	SCREW 5/16-24 L=7		*		1
18	RO098240100	O-RING		*		1
19	22934251	KNEE PAD PLATE ASM.				1
20	22934301	KNEE PAD PLATE SUPPORT		*		1
21	SM9061203SE	SCREW M6 L=12		*		1
22	22934509	KNEE PAD PLATE COVER		*		1
23	22934608	KNEE PAD UPRIGHT SHAFT		*		1
24	22934400	KNEE PAD PLATE RUBBER		*		1
25	22934202	KNEE PAD PLATE		*		1

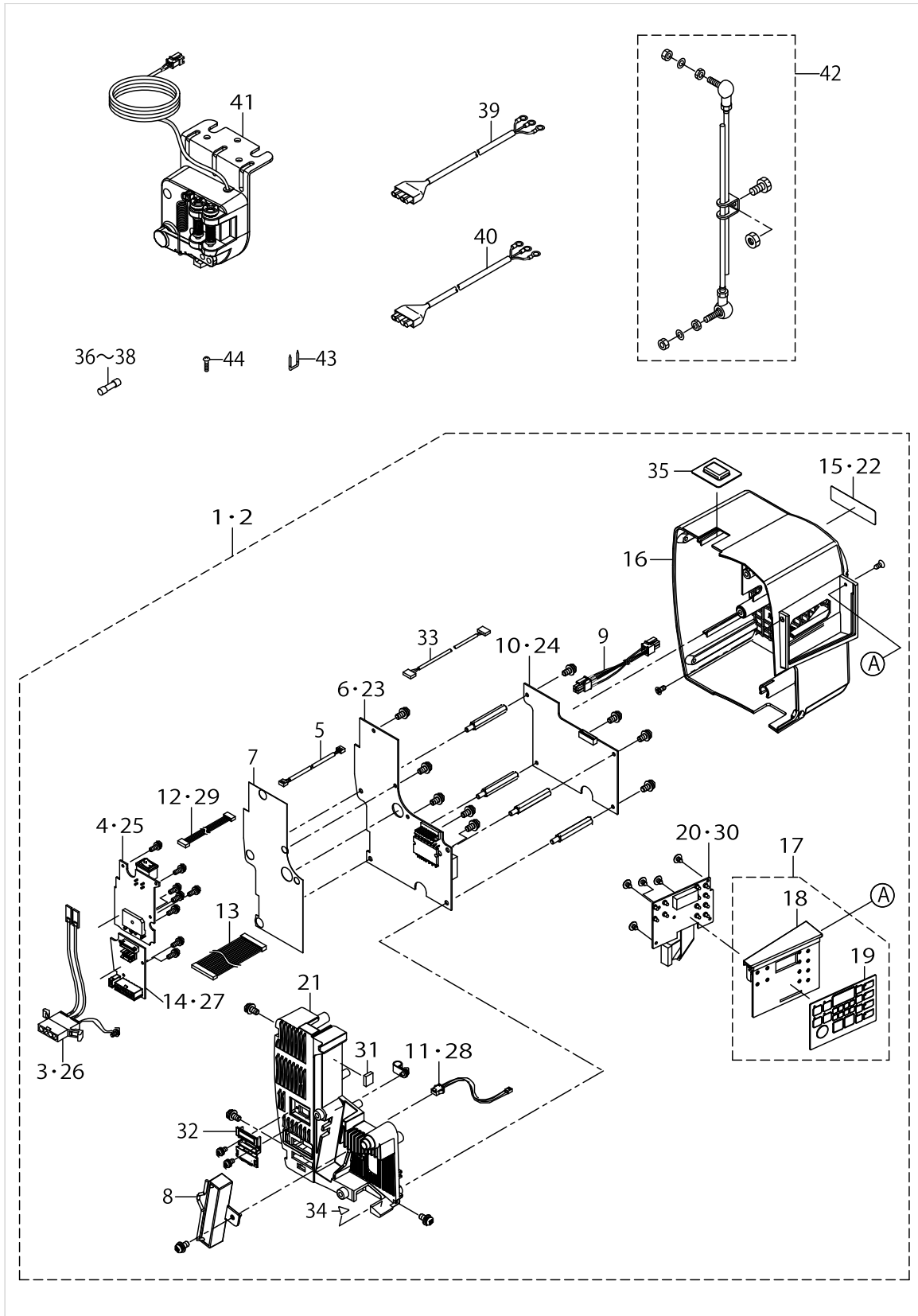
PSC UNIT



PSC UNIT

No.	Parts No.	Parts name	Remarks	Level	Cons	Qty
1	40190712	CONTROL BOX SET 1P 220-240V	VARIOUS NOS. FOR DESTINATIONS			1
2	40190714	CONTROL_BOX_SET 1P 220-240V_CE	FOR CE			1
3	40141200	AC INPUT CORD ASSY	VARIOUS NOS. FOR DESTINATIONS	*		1
4	40141201	FLT PCB ASSY	VARIOUS NOS. FOR DESTINATIONS	*		1
5	40141203	INPUT CHECK CORD ASSY		*		1
6	40141204	PWR PCB ASSY	VARIOUS NOS. FOR DESTINATIONS	*		1
7	40141205	PWR PCB FILM SHEET		*		1
8	40141206	RESISTANCE_A_ASSY		*		1
9	40141207	DC POWER SUPPLY CORD ASSY		*		1
10	40141208	CTL PCB ASSY	VARIOUS NOS. FOR DESTINATIONS	*		1
11	40141209	PEDAL CORD ASSY	VARIOUS NOS. FOR DESTINATIONS	*		1
12	40141210	SOL POWER CORD ASSY	VARIOUS NOS. FOR DESTINATIONS	*		1
13	40141211	SOL SIGNAL CORD ASSY		*		1
14	40141212	SOL PCB ASSY	VARIOUS NOS. FOR DESTINATIONS	*		1
15	40156706	RATING LABEL A DRAWING	VARIOUS NOS. FOR DESTINATIONS	*		1
16	40190447	PSC COVER ADD		*		1
17	40141214	PANEL COVER ASSY		*		1
18	40141215	PANEL COVER		*		1
19	40141216	MEMBRANE SWITCH		*		1
20	40141213	PNL PCB ASSY	VARIOUS NOS. FOR DESTINATIONS	*		1
21	40190448	FRAME ADD		*		1
22	40156707	RATING LABEL C DRAWING	FOR CE	*		1
23	40145554	PWR-CE PCB ASSY	FOR CE	*		1
24	40145555	CTL-CE PCB ASSY	FOR CE	*		1
25	40145553	FLT-CE PCB ASSY	FOR CE	*		1
26	40149316	AC INPUT CORD ASSY	FOR CE	*		1
27	40145556	SOL-CE PCB ASSY	FOR CE	*		1
28	40145557	PEDAL CORD CE ASSY	FOR CE	*		1
29	40145558	SOL POWER CORD CE ASSY	FOR CE	*		1
30	40145921	PNL-CE PCB ASSY	FOR CE	*		1
31	40145944	EMI GASKET	FOR CE	*		1
32	40157011	CONNECTOR COVER		*		1
33	40145540	PRT CORD ASSY		*		1
34	CM300200001	FINGER INJURY CAUTION LABLE (16)		*		1
35	40183785	SWITCH DUSTPROOF CAOER ASSY		*		1
36	40141225	SLO-BLO FUSE	VARIOUS NOS. FOR DESTINATIONS			1
37	40141226	SLO-BLO FUSE	VARIOUS NOS. FOR DESTINATIONS			1
38	40141227	SLO-BLO FUSE	VARIOUS NOS. FOR DESTINATIONS			1
39	40162159	AC POWER CORD ASSY CE	FOR CE			1
40	40141220	AC POWER CORD ASSY	FOR CE			1
41	40141219	PEDAL_SENSOR_A_ASSY				1
42	40042134	CONNECING_ROD_ASSY				1

PSC UNIT

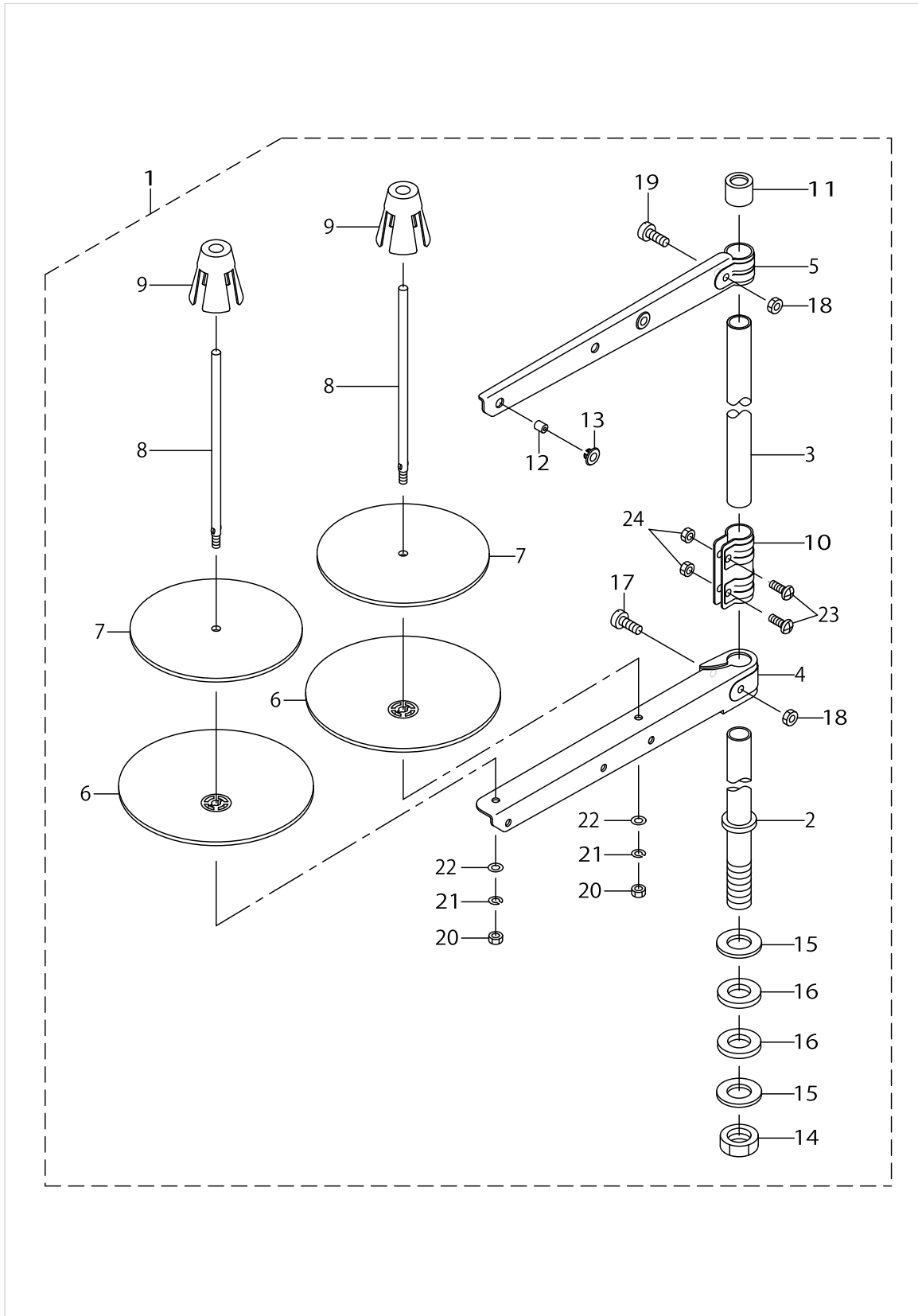


PSC UNIT

No.	Parts No.	Parts name	Remarks	Level	Cons	Qty
43	40141223	CORD STAPLE	VARIOUS NOS. FOR DESTINATIONS			3
44	40141224	SCREW				3



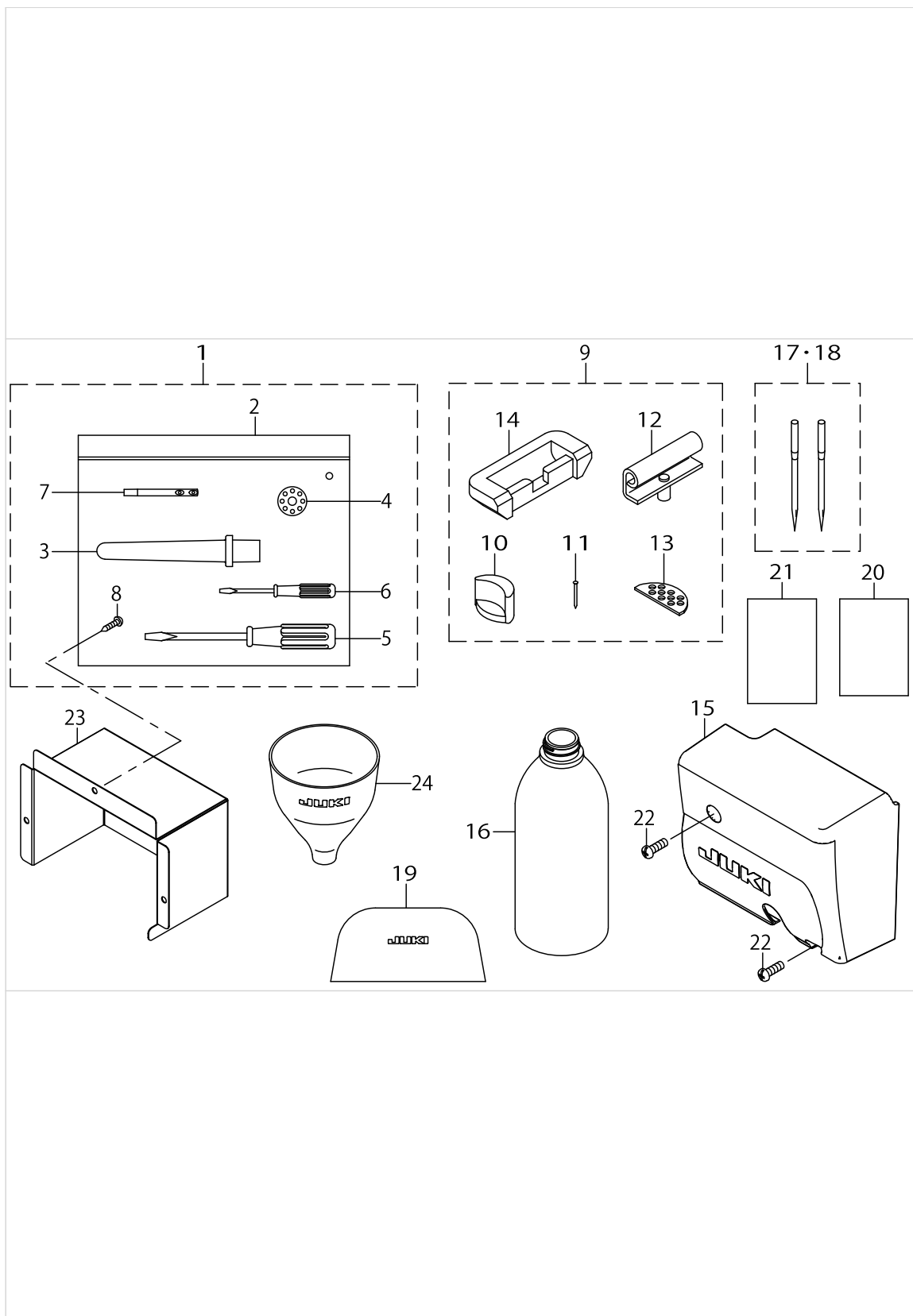
THREAD STAND COMPONENTS



THREAD STAND COMPONENTS

No.	Parts No.	Parts name	Remarks	Level	Cons	Qty
1	40096354	THREAD STAND ASM.				1
2	40085784	SPOOL REST ROD LOWER		*		1
3	40085785	SPOOL REST ROD UPPER		*		1
4	40085786	SPOOL REST ARM LOWER		*		1
5	40085787	SPOOL REST ARM UPPER		*		1
6	40085788	SPOOL REST		*		2
7	40085789	SPOOL REST CUSHION		*		2
8	40085790	SPOOL PIN		*		2
9	40085791	SPOOL RETAINER		*		2
10	40085792	SPOOL REST ROD JOINT		*		1
11	40085793	SPOOL REST ROD RUBBER CAP		*		1
12	40085794	THREAD GUIDE		*		2
13	40085795	THREAD GUIDE BUSHING		*		2
14	40096325	SPOOL REST ROD NUT		*		1
15	WP1612616SE	WASHER 16X30X2.6		*		2
16	40085796	SPOOL REST ROD RUBBER CUSHION		*		2
17	40096326	SPOOL REST ARM LOWER SCREW		*		1
18	NM6050001SE	NUT M5		*		2
19	40096327	SPOOL REST ARM UPPER SCREW		*		1
20	NM6050001SE	NUT M5		*		2
21	WS0510002KN	SPRING WASHER M5		*		2
22	WP0531001SC	WASHER M5		*		2
23	SM4051405SE	SCREW M5 L=14		*		2
24	NM6050001SE	NUT M5		*		2

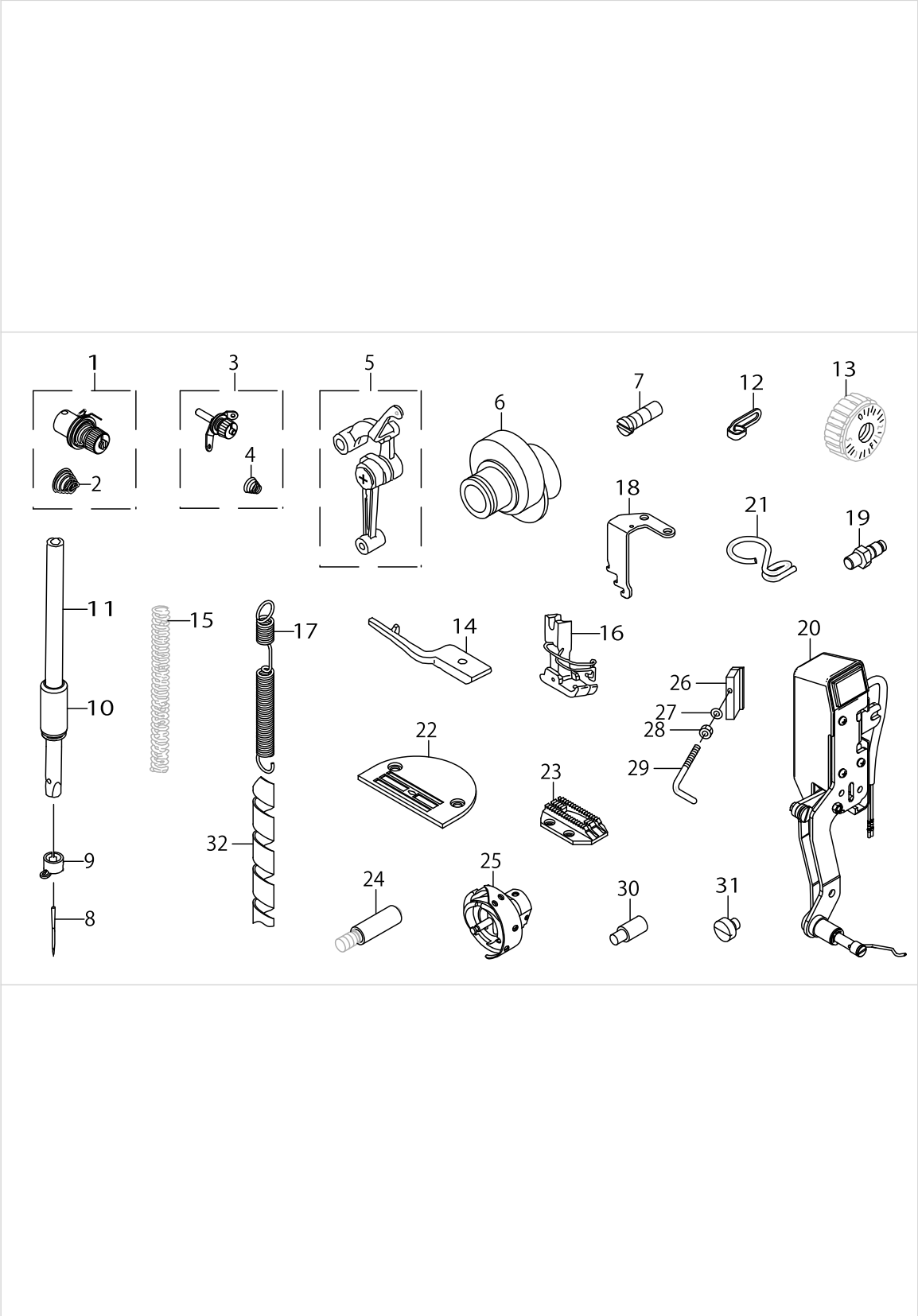
ACCESSORIE PARTS COMPONENTS



ACCESSORIE PARTS COMPONENTS

No.	Parts No.	Parts name	Remarks	Level	Cons	Qty
1	40195573	ACCESSORIE BAG ASSY				1
2	22932800	ACCESSORIE BAG		*		1
3	40190076	FRAME SUPPORT BAR		*		1
4	22932909	BOBBIN		*	☆	1
5	22933105	SCREW DRIVER MIDDLE		*		1
6	22933204	SCREW DRIVER SMALL		*		1
7	22958300	NEEDLE THREAD GUIDE PIN		*		1
8	SK3271301SE	WOOD SCREW D=2.7 L=13		*		3
9	22958052	RUBBER HINGE ASM.				1
10	22958003	FRAME BUBBER CUSHION		*		2
11	22926208	NAIL		*		8
12	22926356	HINGE COMPL.		*		2
13	22926505	WASHER		*		2
14	22926000	RUBBER CUSHION		*		2
15	40187727	REVERSF FEED SOLENOID COVER				1
16	MML007600CA	JUKI MACHINE OIL 7	ACCORDING TO MANUFACTURING BASE		☆	1
17	MDB100B1402	NEEDLE DBX1#14-2	ACCORDING TO MANUFACTURING BASE		☆	1
18	MC200500902	NEEDLE 134 #90-2	ACCORDING TO MANUFACTURING BASE		☆	1
19	40135803	HEAD COVER				1
20	CM600100201	WEEE INFORMATION SHEET	ACCORDING TO MANUFACTURING BASE			1
21	40186378	SAFETY_INSTRUCTION_MANUAL(EG)				1
22	SS4121415SP	SCREW 3/16-28 L=14				2
23	40190443	CONDENSE COVER				1
24	13160601	FUNNEL				1

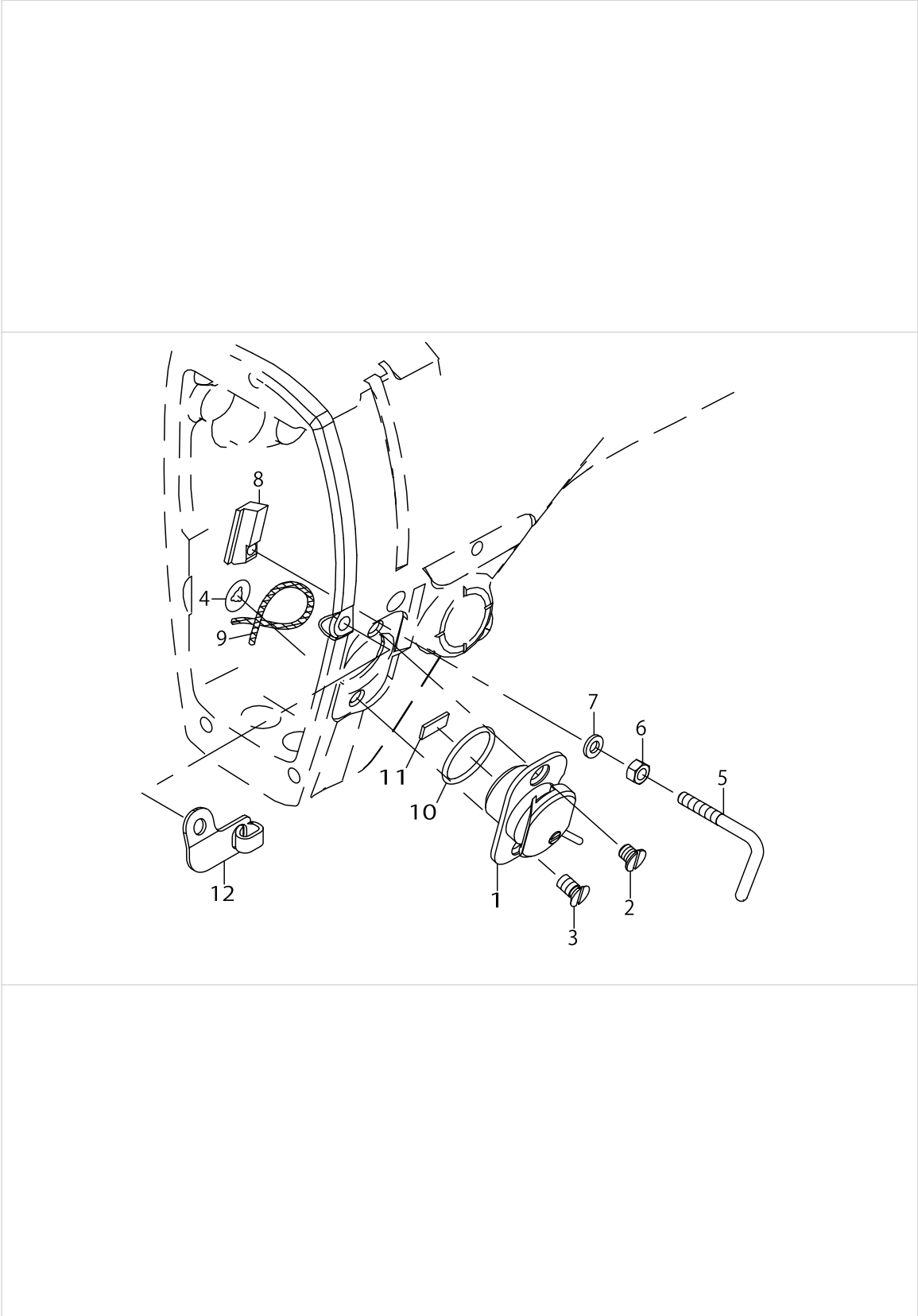
EXCLUSIVE PARTS FOR H



EXCLUSIVE PARTS FOR H

No.	Parts No.	Parts name	Remarks	Level	Cons	Qty
1	22962054	THREAD TENSION ASM.				1
2	22962005	THREAD TENSION SPRING		*		1
3	22963458	THREAD TENSION ASM				1
4	22963409	THREAD TENSION SPRING		*		1
5	40103560	LINK THREAD TAKE-UP LEVER ASM.				1
6	22962351	FEED DRIVE ECCENTRIC CAM ASM.				1
7	B1213552000A	OIL ADJUSTING PIN				1
8	MDB100B2100	NEEDLE DBX1 #21				1
9	B1418415H00	NEEDLE BAR THREAD GUIDE				1
10	22970313	NEEDLE BAR BUSHING LOWER				1
11	22970206	NEEDLE BAR				1
12	11091006	ARM THREAD GUIDE (HA)				1
13	40101726	FEED_DIAL				1
14	40174353	INNER_HOOK_HOLDER_H				1
15	B1505552000A	PRESSER SPRING				1
16	D1524555EBL	PRESSER FOOT ASM.				1
17	40190609	ADJUSTING_LINK_SPRING				1
18	40184565	FEED_SPRING_HOOK				1
19	22971204	FEED REGULATOR BASE PIN				1
20	40141076	WIPER_ASSY_H				1
21	40023223	NEEDLE BAR THREAD GUIDE				1
22	11400801	THROAT PLATE J				1
23	11403003	FEED J				1
24	40115888	LEVER_STOPPER_ASSY				1
25	11092251	HOOK ASM.				1
26	11403805	THREAD GUIDE C FITTING PLATE				1
27	WP0371016SD	WASHER 3.7X8X1				1
28	NS6090310SP	NUT 9/64-40				1
29	22972608	ARM THREAD GUIDE C				1
30	40010395	ADJUSTING LINK FULCRUM SHAFT B				1
31	SS6080320SP	SCREW 1/8-44 L= 2.5				1
32	HX001890000	SPIRAL TUBE				1

EXCLUSIVE PARTS TYPE NB



EXCLUSIVE PARTS TYPE NB

No.	Parts No.	Parts name	Remarks	Level	Cons	Qty
1	40190699	THREAD_NIPPER_SET				1
2	SS1110640TP	SCREW 11/64-40 L=5.5				1
3	SS1110840SP	SCREW 11/64-40 L=8				1
4	M8002430000	STOPPER				1
5	40187738	ARM THREAD GUIDE				1
6	NS6090310SP	NUT 9/64-40				1
7	WP0371026SD	WASHER 3.7X7X1				1
8	11403805	THREAD GUIDE C FITTING PLATE				1
9	CQ202000000	COTTON OIL WICK D=2				0.12
10	G1164870000	SUCTION O RING				1
11	13403605	RUBBER_PLATE				1
12	40187311	ARM THREAD GUIDE B				1



## HOW TO MAKE USE OF THIS PARTS LIST

- 1.As to "#01" and "#02" refer to the "Note" given at the bottom of the respective pages.
- 2.Codes on the "Qty" column
  - Each numeral indicates the number of parts required.
  - "0.1" and "2.5" indicate the length (in meters) of the respective parts.
- 3.Parentheses mean that the corresponding part is a subpart that constructs an assembly part.
- 4.Dotted lines on the Figures indicate assembly parts.
- 5.As to the parts with marks of "☆"(Consumable parts)and "◎"(optional parts)on the respective parts, it is recommended to prepare spares.

1. リストページの#01、#02の印は、ページ下の"注記"の説明を参照下さい。
2. 数量欄の数字は、個数を表し、0.1、2.5等の数値は、長さ（単位メートル）を表します。
3. 数量欄の（ ）は、組部品を構成している子部品であることを意味します。
4. イラストページの-----枠は、組構成であることを意味します。
5. リストページの"☆"（消耗部品）、"◎"（オプション部品）の印が付いた部品は、予備を準備しておくことをお勧めします。

# NUMERICAL INDEX OF PARTS

PART NO	PAGE	REF NO.	PART NO	PAGE	REF NO.	PART NO	PAGE	REF NO.
10109700	28	4	22901003	4	55	22911804	18	7
11002904	8	3	22901201	4	52	22912000	18	9
11009800	18	23	22901250	4	51	22912109	18	8
11015906	10	37	22901300	4	53	22912257	18	19
11037405	18	22	22901805	2	14	22912505	18	20
11038650	10	34	22903207	8	25	22913008	20	75
11038759	10	24	22903306	8	27	22913701	18	38
11039203	30	47	22903900	8	14	22913800	18	15·16
11079506	10	40	22905004	10	23	22913859	18	11·12
11091006	44	12	22905103	10	25	22915003	20	73
11092251	44	25	22905202	10	26	22915359	20	58
11217114	26	13	22906101	10	2	22916308	10	27
11217114	28	19	22906200	10	8	22916506	10	38
11217213	26	14	22906309	10	10	22916555	10	36
11217213	28	20	22906457	10	4	22918064	8	5
11243763	14	45	22906606	8	8	22918072	8	4
11244019	16	50	22907307	14	36	22918106	8	7
11244209	16	48	22907406	14	33	22918304	8	6
11400801	44	22	22907505	14	32	22918403	8	9~12
11403003	44	23	22907554	14	30	22918502	8	9~12
11403805	44	26	22907604	14	31	22918601	8	9~12
11403805	46	8	22907703	14	25	22918700	8	9~12
11419504	22	41~46	22907802	14	1	22919203	8	29
11419603	22	41~46	22908008	14	42	22919559	8	2
11419702	22	41~46	22908156	14	40	22920102	14	29
11419801	22	41~46	22908305	14	44	22920201	14	23
11419900	22	41~46	22908354	14	39	22920300	14	26
11420601	24	52	22908552	14	4	22920409	14	24
11433802	16	52	22908701	14	7	22920508	2	30
13101407	32	51	22908800	14	14	22920607	4	47
13160601	42	24	22908909	14	11	22920904	2	43
13170105	30	32	22909006	14	13	22921001	2	31
13171004	30	33	22910004	8	18	22921209	2	38
13403605	46	11	22910053	8	16	22921308	2	33
13887005	18	17	22910103	8	13	22921407	2	34
21345905	32	68	22910202	18	15·16	22921506	2	37
22538805	8	30	22910251	18	11·12	22921506	6	28
22887905	20	71	22910459	18	27	22921605	2	39
22888507	20	61	22910806	18	28	22921704	2	35
22890206	10	42~44	22910905	18	24	22921803	2	36
22890305	10	42~44	22911002	18	40	22923015	30	14
22890404	10	42~44	22911101	18	13	22923056	30	12
22896252	10	46	22911408	18	1	22923205	30	17
22900401	2	10	22911507	18	2	22923312	30	13
22900609	2	28	22911606	18	4	22923403	30	19

## NUMERICAL INDEX OF PARTS

PART NO	PAGE	REF NO.	PART NO	PAGE	REF NO.	PART NO	PAGE	REF NO.
22923502	30	21	22958003	42	10	40017215	32	50
22923601	30	20	22958052	42	9	40017805	14	35
22923700	30	15	22958300	2	7	40021933	6	17
22923809	30	18	22958300	42	7	40022407	4	68
22923908	30	22	22962005	44	2	40023223	44	21
22924005	30	26	22962054	44	1	40024644	30	35
22924153	30	6	22962351	44	6	40028281	32	53
22924302	30	7	22963409	2	25	40029963	20	79
22924609	30	28	22963409	44	4	40037008	6	32
22924708	30	1	22963458	2	21	40037502	30	9
22925101	30	5	22963458	44	3	40042134	36	42
22926000	42	14	22970206	44	11	40050314	14	10
22926208	42	11	22970313	44	10	40060989	14	5
22926356	42	12	22971204	44	19	40085784	40	2
22926505	42	13	22972608	44	29	40085785	40	3
22932107	34	5	23610652	16	49	40085786	40	4
22932404	34	11	23610702	16	51	40085787	40	5
22932453	34	10	23611106	14	47	40085788	40	6
22932800	42	2	23620206	10	12	40085789	40	7
22932909	10	18	23629306	26	27	40085790	40	8
22932909	42	4	23629306	32	57	40085791	40	9
22933105	42	5	23630007	26	26	40085792	40	10
22933204	42	6	23630007	30	70	40085793	40	11
22934202	34	25	23630007	32	70	40085794	40	12
22934251	34	19	23632102	26	6	40085795	40	13
22934301	34	20	26231902	32	48	40085796	40	16
22934400	34	24	26260109	6	2	40086744	12	50
22934509	34	22	26260208	6	3	40089548	18	25
22934608	34	23	26260307	6	4	40090002	10	14
22934707	34	12	26260406	6	5	40090003	10	16
22939508	10	3-41	26260505	6	6	40090004	10	19
22939607	10	3-41	26260604	6	7	40090005	10	21
22940506	18	10	26260802	6	8	40090058	10	6
22940654	20	55	26261008	6	9	40090529	28	9
22940753	18	35	26261206	6	10	40093417	18	26
22941306	18	36	26261305	6	11	40096325	40	14
22945307	2	40	26261503	6	12	40096326	40	17
22945356	2	32	26261602	6	13	40096327	40	19
22945414	2	22	26261701	6	14	40096354	40	1
22945604	2	23	40010395	20	84	40098388	14	34
22945703	2	26	40010395	44	30	40099083	4	58
22945703	6	30	40010805	12	51	40101541	34	9
22945802	2	24	40011144	6	15	40101726	44	13
22952501	2	18	40012126	2	2	40102097	2	1
22953400	20	82	40012129	2	11	40102261	2	13

# NUMERICAL INDEX OF PARTS

PART NO	PAGE	REF NO.	PART NO	PAGE	REF NO.	PART NO	PAGE	REF NO.
40103560	44	5	40141076	44	20	40162159	36	39
40109422	18	45	40141200	36	3·26	40163521	6	33
40110376	8	45	40141201	36	4·25	40172479	22	10
40110379	18	43	40141203	36	5	40172480	22	35
40110390	8	40	40141204	36	6·23	40174351	10	32
40110731	6	25	40141205	36	7	40174353	44	14
40110734	6	26	40141206	36	8	40174612	22	41~46
40110975	6	16	40141207	36	9	40178658	22	37
40110976	6	1	40141208	36	10·24	40182291	4	65
40110977	8	15	40141209	36	11·28	40183785	36	35
40110978	8	20	40141210	36	12·29	40184531	20	68
40110979	8	28	40141211	36	13	40184533	20	60
40111025	8	36	40141212	36	14·27	40184535	20	69
40111424	8	32	40141213	36	20·30	40184536	20	51
40111872	8	34	40141214	36	17	40184537	20	76
40111896	4	70	40141215	36	18	40184540	10	13
40111897	20	52	40141216	36	19	40184541	14	28
40112907	22	18	40141219	36	41	40184543	30	3
40113241	6	34	40141220	36	40	40184544	30	29
40115888	44	24	40141223	38	43	40184545	30	30
40119475	6	24	40141224	38	44	40184546	30	46
40125485	18	31	40141225	36	36~38	40184547	30	41
40126308	4	60	40141226	36	36~38	40184550	32	58
40126849	12	49	40141227	36	36~38	40184552	32	59
40127153	22	2	40141523	10	7	40184553	32	71
40127164	22	21	40145540	36	33	40184557	22	24
40127168	22	26	40145553	36	4·25	40184558	22	19
40127180	22	28	40145554	36	6·23	40184560	26	16
40127182	22	30	40145555	36	10·24	40184562	26	11
40127183	22	31	40145556	36	14·27	40184565	44	18
40127190	22	20	40145557	36	11·28	40184575	30	11
40127192	10	31	40145558	36	12·29	40186203	22	14
40133950	20	80	40145921	36	20·30	40186209	20	67
40135803	42	19	40145944	36	31	40186378	42	21
40136014	10	29	40148382	26	1	40186644	20	48
40136258	4	67	40149069	26	5	40186696	14	18
40136258	32	66	40149316	36	3·26	40186847	26	19
40137504	8	23	40156677	2	4	40187304	26	18
40137504	20	62	40156684	18	39	40187306	22	29
40139216	8	21	40156706	36	15·22	40187307	26	22
40139771	26	2	40156707	36	15·22	40187308	14	20
40140080	4	66	40156725	34	4	40187311	46	12
40140191	26	3	40156726	34	8	40187485	32	62
40140306	26	4	40156758	20	64	40187727	42	15
40140419	8	37	40157011	36	32	40187734	22	22

NUMERICAL INDEX OF PARTS

PART NO	PAGE	REF NO.	PART NO	PAGE	REF NO.	PART NO	PAGE	REF NO.
40187736	32	65	B1505552000A	44	15	RC0150001KP	18	54
40187738	46	5	B1521555000	14	2	RC0150001KP	20	54
40188851	4	57	B15240120BA	14	9	RC0260415K0	26	12
40190076	42	3	B1613012I00	18	33	RC0260415K0	28	13
40190435	28	1	B3510205000	26	28	RC0560711KP	6	18
40190440	28	2	B8228125000	30	34	RC0650811KP	28	8
40190443	42	23	B9117552A00	10	45	RC1850001KP	8	22
40190444	28	14	BT1000651EB	16	53	RC2651218KP	24	53
40190445	34	2	CM300200001	2	61	RE0400000K0	6	19
40190446	20	72	CM300200001	4	61	RE0400000K0	30	38
40190447	36	16	CM300200001	36	34	RE0500000K0	14	43
40190448	36	21	CM300300001	28	11	RE0500000K0	18	21
40190450	28	3	CM600100201	42	20	RE0600000K0	22	13
40190451	28	18	CQ202000000	14	27	RE1000000K0	34	13
40190553	22	4	CQ202000000	46	9	RO029180100	8	35
40190555	24	51	CQ220000000	10	28	RO036080200	12	48
40190556	24	50	D1524555EBL	44	16	RO037180100	14	3
40190557	22	33	D3164555B00	14	15	RO037180100	30	10
40190558	22	9	D6056555B00	28	16	RO044240100	8	43
40190559	22	36	D7133555B00	6	29	RO078190100	22	23
40190562	10	35	EA9500B0100	30	69	RO092270200	20	74
40190609	44	17	EA9500B0100	32	69	RO098240100	34	18
40190682	20	83	G1164870000	46	10	RO133170100	20	81
40190685	2	20	GAK30005000	30	37	RO195240100	30	2
40190699	46	1	HK034610140	22	17	RO555200200	26	21
40190712	36	1·2	HK034610140	26	9	SD0600406TP	22	34
40190714	36	1·2	HK03464000B	26	8	SD0720331SP	14	12
40191470	8	46	HX00065000A	16	54	SD0850751SP	22	16
40194932	22	47	HX001890000	44	32	SD1000801SH	20	47
40194934	28	5	HX00669000A	34	16	SE4301041SR	30	16
40194939	22	8	M8002430000	46	4	SK3271301SE	42	8
40195289	24	49	MC200500902	42	17·18	SL4030851SF	30	23
40195552	24	48	MDB100B1400	10	11	SL4052091SC	26	23
40195566	34	1	MDB100B1402	42	17·18	SL6051492TN	8	39
40195573	42	1	MDB100B2100	44	8	SL6052592TN	8	38
40196831	22	38	MML007600CA	42	16	SM0050801SC	6	35
40196832	4	63	NM6040001SC	22	7	SM4040655SP	30	52
40196923	22	1	NM6050001SE	40	24	SM4040655SP	32	52
40198464	26	17	NM6060001SE	34	15	SM4040885SP	16	55
B1109552000	2	44	NM6060003SC	34	7	SM4050655SP	32	67
B1116210D00	22	40	NS6090310SP	44	28	SM4050855SP	14	17
B1116210D00	34	3	NS6090310SP	46	6	SM4050855SP	22	39
B1213552000A	44	7	NS6120630SP	6	27	SM4050855SP	32	63
B1215552000	8	26	NS6620310SP	14	21	SM4051405SE	40	23
B1418415H00	44	9	NS6680410SP	18	42	SM5040655SN	6	20

NUMERICAL INDEX OF PARTS

PART NO	PAGE	REF NO.	PART NO	PAGE	REF NO.	PART NO	PAGE	REF NO.
SM6051002TP	26	20	SS6110420TP	10	30	TA2351004R0	20	78
SM6051002TP	28	17	SS6110610TP	4	48	WP0371016SD	22	5
SM6051402TP	30	45	SS6111010TP	30	25	WP0371016SD	44	27
SM6051602TP	22	11	SS6111210SP	10	33	WP0371026SD	46	7
SM6051602TP	26	15	SS6111210SP	32	64	WP0450826SC	6	23
SM6062502TP	28	6	SS6121610SP	18	44	WP0480856SP	20	57
SM8040802TP	6	21	SS6121840SP	2	17	WP0482086SD	14	46
SM8050502TP	6	22	SS6121860SP	18	5	WP0501016SD	30	54
SM80506A2TP	22	12	SS6151220SP	18	29	WP0501016SD	32	54
SM80608A2TP	8	33	SS6661110SP	8	17	WP0531001SC	40	22
SM8061612TP	34	6	SS6700710SH	34	17	WP0611626SP	20	70
SM9061203SE	34	21	SS7080510TP	10	9	WP0621016SD	30	39
SM9061853SR	34	14	SS7090610SP	22	6	WP0641600SC	28	7
SQ2050453MZ	26	25	SS7091110TP	14	6	WP0720316RZ	28	10
SQ2050453MZ	30	49	SS7110720SP	4	59	WP0820816SD	22	32
SQ2050453MZ	32	49	SS7110740TP	20	53	WP0841600SD	28	15
SS1110640TP	46	2	SS7110740TP	26	7	WP1612616SE	40	15
SS1110840SP	46	3	SS7111120SP	20	59	WS0451040KP	30	8
SS2110915SP	2	46	SS7120770SH	18	6	WS0510002KN	40	21
SS2110920TP	2	45	SS7121410TP	20	56	WS0651310KP	30	27
SS4080620TP	18	34	SS7121610SP	18	46	WT0530002KS	4	56
SS4090615SP	8	19	SS7620750SP	20	77			
SS4110515SP	14	16	SS7681650TP	8	44			
SS4110515SP	18	37	SS8090670SP	2	41			
SS4110615SP	32	55	SS8110422TP	22	25			
SS4120615SP	2	71	SS8150710TP	2	42			
SS4120615SP	4	71	SS8151150TP	8	1			
SS4120615SP	14	19	SS8660610TP	8	42			
SS4120615SP	26	10	SS8660610TP	20	63			
SS4120615SP	30	60	SS8660612TP	22	27			
SS4120615SP	32	60	SS8660810TP	10	22			
SS4120925SP	2	50	SS8660810TP	14	37			
SS4120925SP	4	50	SS8661012TP	22	3			
SS4120925SP	10	39	SS8661012TP	28	12			
SS4121415SP	42	22	SS8681650TP	8	41			
SS4150915SP	30	24	TA0400301M0	26	24			
SS4151215SP	4	64	TA0850604R0	2	5			
SS4151215SP	22	15	TA0850604R0	10	1			
SS6060210SP	4	54	TA0950806R0	20	65			
SS6080320SP	44	31	TA1030402R0	4	69			
SS6080410SP	2	3	TA1250406R0	4	49			
SS6090620TP	18	41	TA1250705R0	2	6			
SS6090670TP	10	5	TA2000502R0	2	16			
SS6090670TP	18	3	TA2100904R0	2	9			
SS6090910SP	14	38	TA2101002R0	2	19			