

MODEL : LBH-1796AN

List No : 1707-00

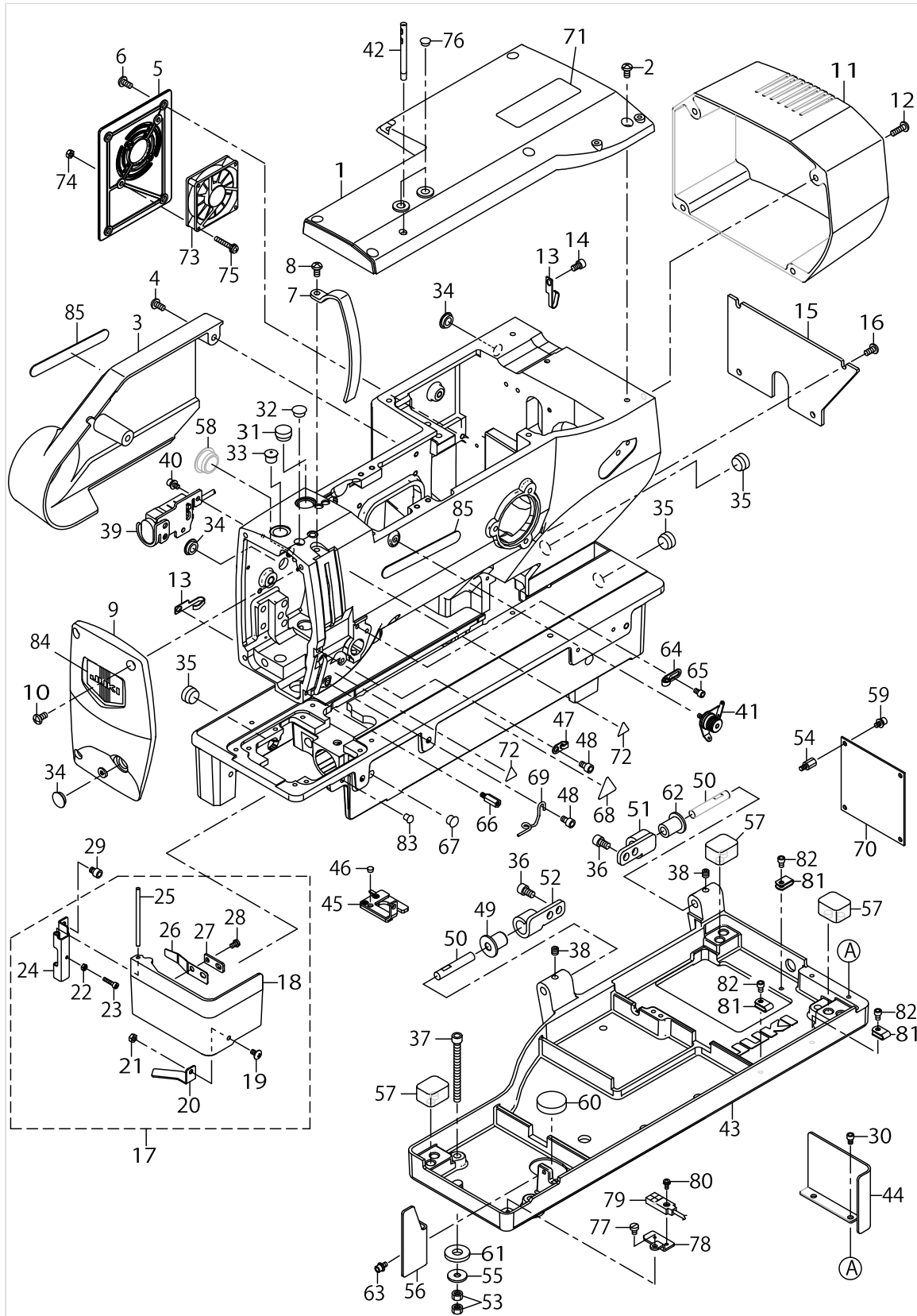
PARTS LIST

Published:09/29/2017

CONTENTS

FRAME & MISCELLANEOUS COVER COMPONENTS (1)	1
FRAME & MISCELLANEOUS COVER COMPONENTS (2)	5
MAIN SHAFT COMPONENTS	11
HOOK DRIVING SHAFT COMPONENTS	15
PRESSER & FEED COMPONENTS	17
NEEDLE BAR ROCKING COMPONENTS	23
NEEDLE THREAD TRIMMER COMPONENTS.....	25
BOBBIN THREAD TRIMMER COMPONENTS.....	29
CLOTH CUTTING KNIFE COMPONENTS	33
TABLE COMPONENTS	35
OPERATION BOX COMPONENTS (ACCESSORIES OF A CONTROL BOX).....	37
CONTROL BOX COMPONENTS	39
WIRING DIAGRAM	43
ACCESSORIE PARTS COMPONENTS	45
THREAD STAND COMPONENTS.....	47
SPECIAL SPECIFICATIONS COMPONENTS (1).....	49
SPECIAL SPECIFICATIONS COMPONENTS (2).....	51
EXCHANGING PARTS.....	53
OPTIONAL PARTS	55
HOW TO MAKE USE OF THIS PARTS LIST	57

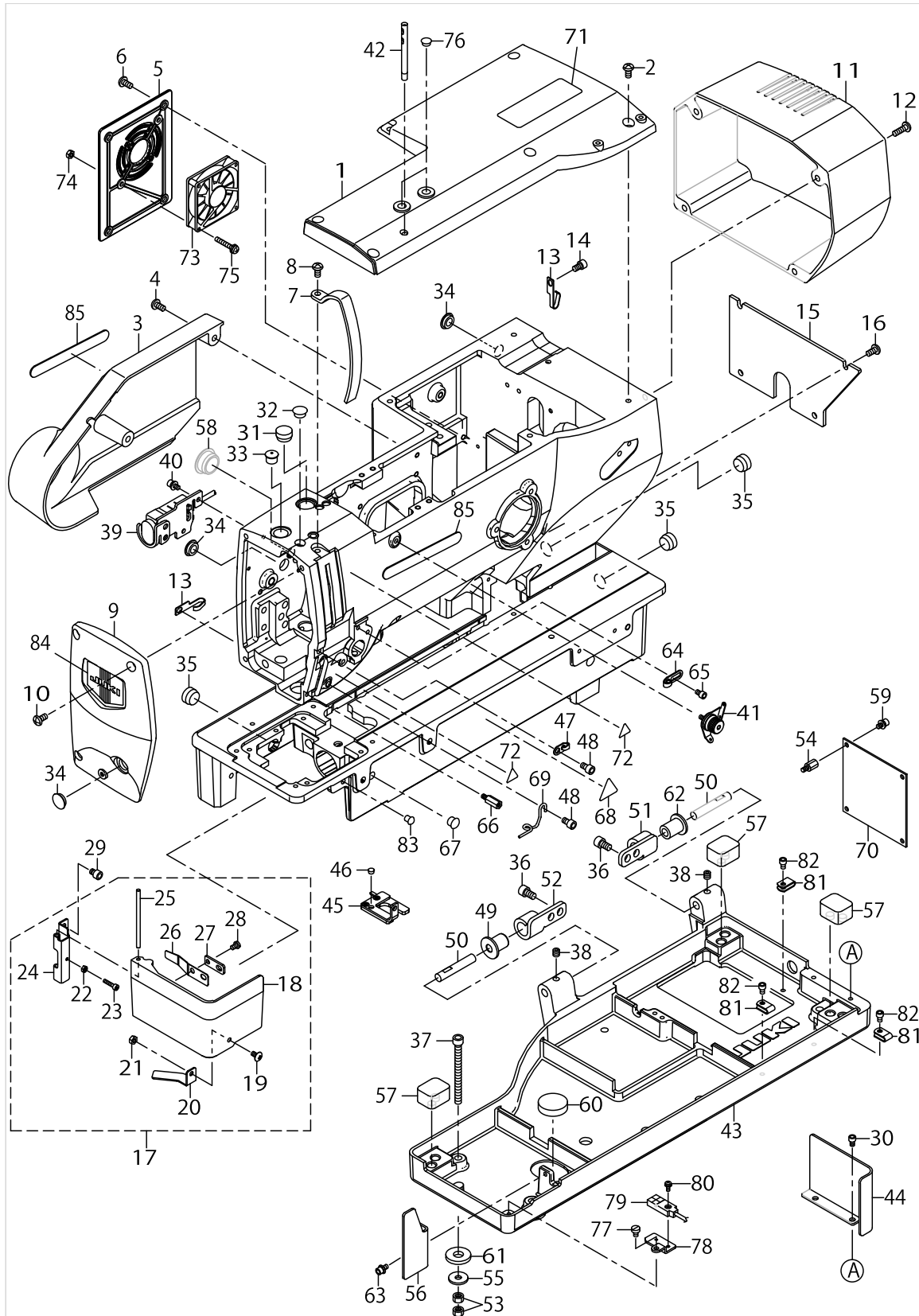
FRAME & MISCELLANEOUS COVER COMPONENTS (1)



FRAME & MISCELLANEOUS COVER COMPONENTS (1)

No.	Parts No.	Parts name	Remarks	Level	Cons	Qty
1	40189612	UPPER_COVER				1
2	SM4051055SP	SCREW				6
3	40189633	LEFT_COVER				1
4	SM4051055SP	SCREW				2
5	40189613	LEFT_COVER_B				1
6	SM4051055SP	SCREW				4
7	40189616	THREAD_TAKE_UP_LEVER_COVER				1
8	SM4051055SP	SCREW				1
9	40189617	FRONT_COVER				1
10	SM4051055SP	SCREW				3
11	40189615	MOTOR_COVER				1
12	SM4051655SP	SCREW M5 L=16				4
13	26230409	LUBRICATING OIL WICK STOPPER				2
14	SM6050802TP	SCREW M5X0.8 L=8				1
15	40189614	REAR_COVER				1
16	SM4051055SP	SCREW				4
17	40189635	HOOK_OIL_SHIELD_COVER_COMPL				1
18	40189636	HOOK_OIL_SHIELD_COVER		*		1
19	SM0040801SC	SCREW		*		1
20	40145328	SENSOR SLIT PLATE C		*		1
21	NM6040001SC	NUT M4X0.7 TYPE1		*		1
22	NM6030001SD	NUT M3X0.5		*		1
23	SM6031402TP	SCREW		*		1
24	13703806	HOOK OIL SHIELD HINGE		*		1
25	13703905	HINGE PIN		*		1
26	40141710	HINGE_SPRING		*	☆	1
27	40141711	HINGE_SPRING_WASHER		*		1
28	SM4040655SP	SCREW M4 L=6		*		1
29	SM6050652TP	HEXAGON SOCKET HEAD SCREW M5X6				2
30	SM6040602TP	SCREW M4 L=6				2
31	TA1550902R0	PLUG				1
32	TA1050504R0	RUBBER PLUG				1
33	40141795	PBL_METAL_CAP				1
34	TA1250406R0	RUBBER PLUG D=12.5 L=4				3
35	TA1550902R0	PLUG				3
36	SM6061002TP	SCREW M6 L=10	ACCESSORIE PARTS			4
37	SM6067052TP	HEXAGON BOLT				4
38	SM80606A2TP	SCREW M6 L=6				2
39	40189631	SWITCH ASM.				1
40	SL6040892TN	SCREW				2
41	22528764	PRE-TENSION CONTROLLER ASM.				1
42	22502504	THREAD GUIDE BAR	ACCESSORIE PARTS			1
43	40189634	BED_BASE_N				1
44	40189618	BED_REAR_COVER				1
45	40141706	ASSY_LED_DEVICE			☆	1
46	TA0500301R0	PLUG 5X5.8 L=3				1
47	13922208	TAKE-UP THREAD GUIDE B				1

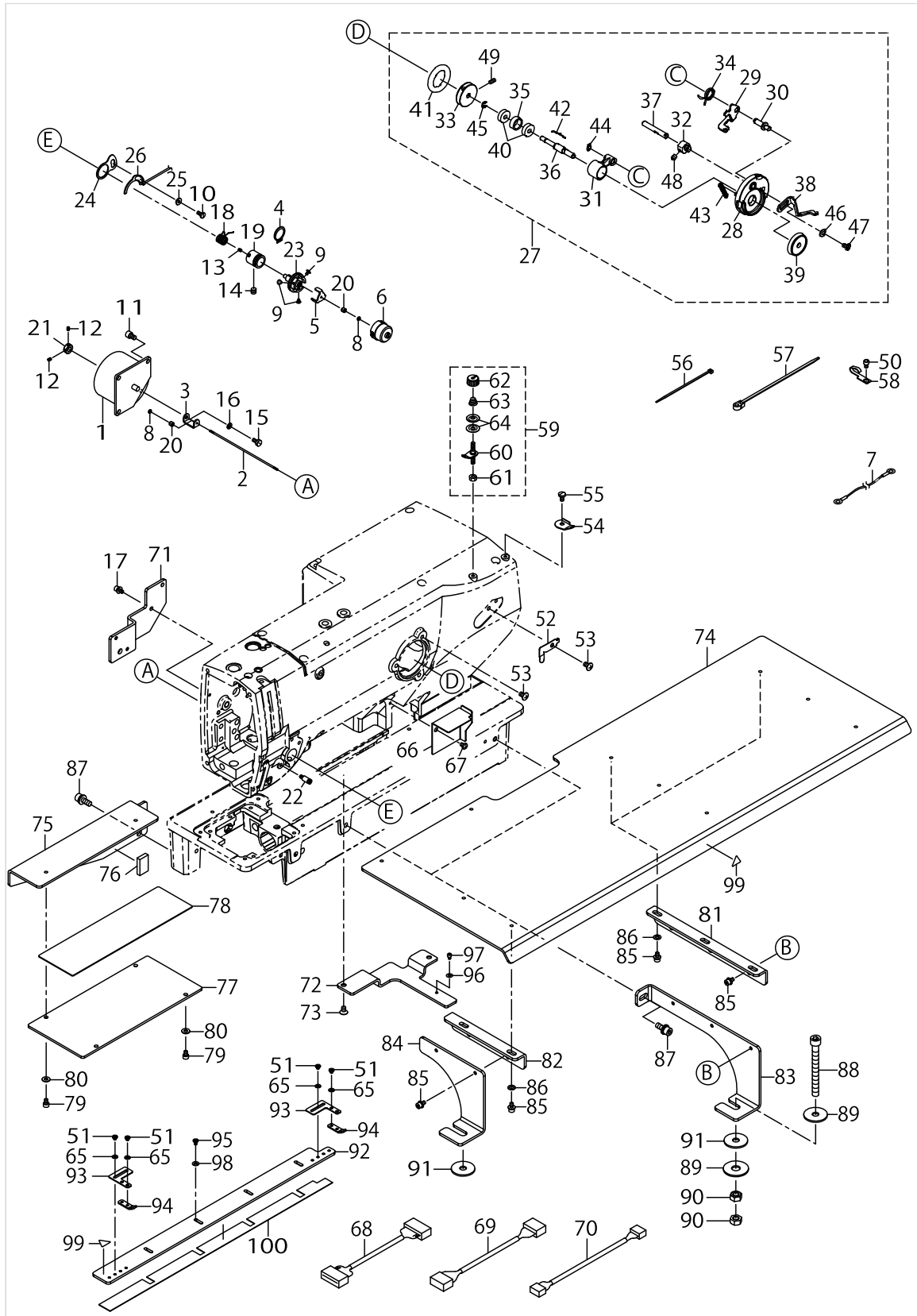
FRAME & MISCELLANEOUS COVER COMPONENTS (1)



FRAME & MISCELLANEOUS COVER COMPONENTS (1)

No.	Parts No.	Parts name	Remarks	Level	Cons	Qty
48	SM6050802TP	SCREW M5X0.8 L=8				2
49	40006314	HINGE_BUSH	ACCESSORIE PARTS			1
50	13700604	HINGE PIN				2
51	13700406	HINGE PLATE A	ACCESSORIE PARTS			1
52	13700505	HINGE PLATE B	ACCESSORIE PARTS			1
53	NM6060001SD	NUT M6				8
54	KX000000380	SPACER				4
55	WP0612056SD	WASHER 6.1X18.5X2				4
56	13943303	OIL SHIELD	ACCESSORIE PARTS			1
57	40008977	RUBBER C				3
58	TA2100904R0	RUBBER PLUG				1
59	SL6040892TN	SCREW				4
60	E2002855000	Z STOPPER RUBBER				1
61	D6056555B00	RUBBER CUSHION (B)				4
62	13700703	RUBBER HINGE	ACCESSORIE PARTS			1
63	SL6040892TN	SCREW	ACCESSORIE PARTS			1
64	40009037	TAKE-UP THREAD GUIDE A				1
65	SM6040602TP	SCREW M4 L=6				1
66	40141713	STUD				1
67	TA0850604R0	RUBBER PLUG				1
68	CM300200003	ATTENTION LABEL				1
69	13705405	NEEDLE BAR THREAD GUIDE				1
70	40138611	INT PCB ASSY				1
71	CM301300001	SAFETY LABEL				1
72	CM300200001	ATTENTION SEAL				2
73	40111214	FAN MOTOR ASSY				1
74	NM6040001SC	NUT M4X0.7 TYPE1				2
75	SL4042591SC	SCREW M4 L=25				2
76	TA0750404R0	PLUG D=7.5 L=3.5				2
77	SM6040650TP	SCREW				1
78	40145327	SENSOR PALTE C				1
79	40141483	COVER SENSOR ASSY				1
80	SL4030881SC	SCREW M3 L=8				1
81	HX001500000	CLIP				3
82	SM6040602TP	SCREW M4 L=6				3
83	TA0550604R0	RUBBER PLUG				1
84	40172374	FACE_COVER_PLATE				1
85	40172375	EMBLEM_JUKI_SMART_SOLUTIONS				2

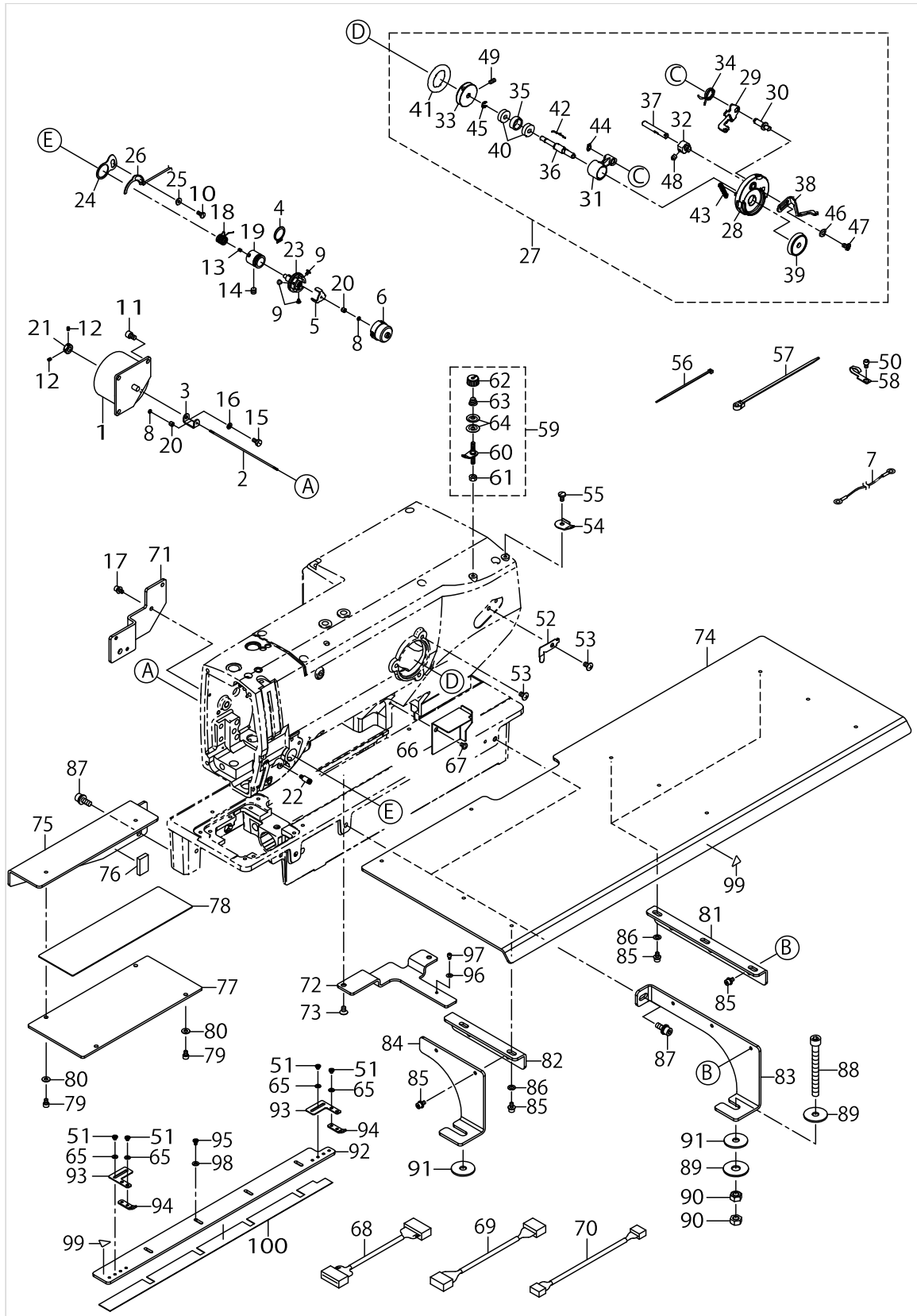
FRAME & MISCELLANEOUS COVER COMPONENTS (2)



FRAME & MISCELLANEOUS COVER COMPONENTS (2)

No.	Parts No.	Parts name	Remarks	Level	Cons	Qty
1	40006261	ASSY_AT_SOLENOID				1
2	40006263	AT_SHAFT				1
3	40006264	AT_SHAFT_HOLDER				1
4	RC1700001KP	RETAINING RING				1
5	40010514	DISK_STOPPER				1
6	40010511	DISK_STOPPER_HOLDER_CAP				1
7	M90195800A0	EARTH CABLE ASM.				1
8	40010522	SHAFT_NUT				2
9	SM0860400SN	SCREW				3
10	SM6040860TP	SCREW M4 L=8				1
11	SM6050802TP	SCREW M5X0.8 L=8				3
12	SM8030412TP	SCREW				2
13	SM8030412TP	SCREW				1
14	SM80606A2TP	SCREW M6 L=6				1
15	SM9040800SP	SCREW				1
16	WS0410002KP	SPRING WASHER				1
17	SL6040892TN	BOLT				2
18	10006104	TAKE-UP SPRING			☆	1
19	40010510	THREAD_TENSION_POST_BASE				1
20	40010512	THREAD_TENSION_SHAFT_COLLAR				2
21	32055402	THRUST COLLAR				1
22	40004252	UTT_SUSPENSION_SCREW_9				1
23	40006265	ASSY_THREAD_TENSION_POST				1
24	B2702210000	GUIDE PLATE				1
25	B2703210000	BUSHING				1
26	40003499	THREAD BREAK DETECTOR A				1
27	40189628	ASSY_BTW				1
28	40189600	BTW_BASE		*		1
29	26260208	BTW_CAM_PLATE		*		1
30	26260307	BTW_BASE_SHAFT		*		1
31	26260406	BTW_SHAFT_BASE		*		1
32	26260505	BTW_CAM_LEVER		*		1
33	26260604	BTW_WHEEL		*		1
34	40011144	BTW_TORSION_SPRING		*		1
35	26260802	BTW_BEARING_SPACER		*		1
36	40011145	BTW_SHAFT		*		1
37	40011146	BTW_LEVER_SHAFT		*		1
38	40021933	BTW_LEVER		*		1
39	26261206	BTW_SPACER		*		1
40	26261305	BTW_BEARING		*		2
41	26261503	BTW_WHEEL_RUBBER		*	☆	1
42	26261602	BOBBIN_SPRING		*	☆	1
43	26261701	BTW_SPRING		*		1
44	RC0560711KP	RETAINING RING		*		1
45	RE0400000K0	E-RING 4		*		1
46	WP0450826SC	WASHER 4.5X10X0.8		*		1
47	SM5040655SN	SCREW		*		1

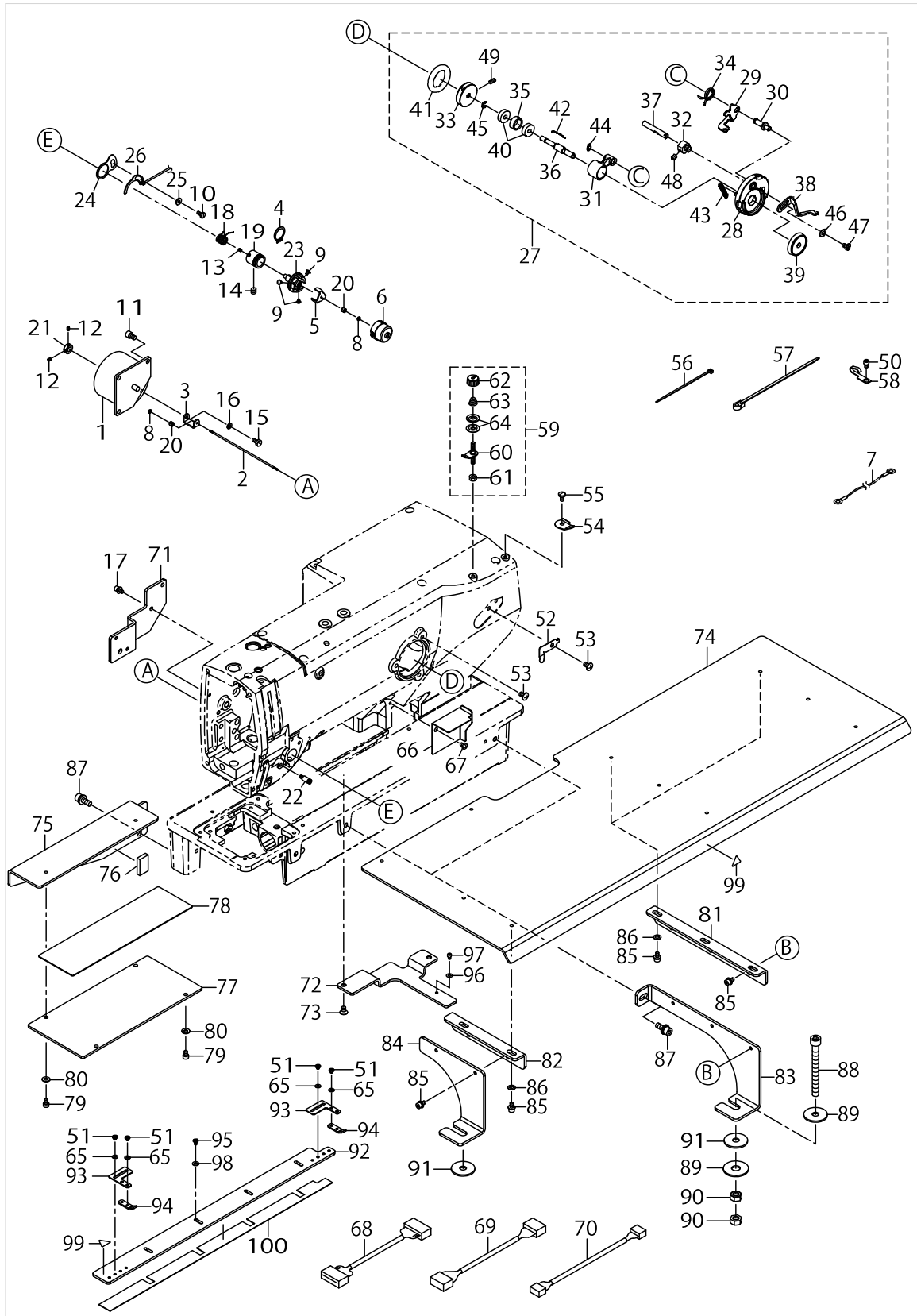
FRAME & MISCELLANEOUS COVER COMPONENTS (2)



FRAME & MISCELLANEOUS COVER COMPONENTS (2)

No.	Parts No.	Parts name	Remarks	Level	Cons	Qty
48	SM8050502TP	SCREW M5 L=5		*		1
49	SM8040802TP	SCREW M4X8		*		2
50	SM6040602TP	SCREW M4 L=6				2
51	SM5030355SN	SCREW				8
52	40037008	THREAD_CUTTER			☆	1
53	SM0050801SC	SCREW				4
54	D3162555B00	THREAD GUIDE				1
55	SS7110840SP	SCREW 11/64-40 L=7.8				1
56	EA9500B0100	CABLE BAND				12
57	HX00151000A	CABLE BAND				2
58	26230409	LUBRICATING OIL WICK STOPPER				3
59	22529481	BOBBIN THREAD TENSION ASM.				1
60	22529473	BOBBIN THREAD TENSION ROD ASM.		*		1
61	NS6110310SP	NUT 11/64-40		*		1
62	11072402	THREAD TENSION NUT		*		1
63	11093606	THREAD TENSION SPRING		*		1
64	B3214047000	BOBBIN WINDER TENSION DISC		*		2
65	WP0320501SC	WASHER M3				8
66	40152566	ARM_COVER				1
67	SM5040655SN	SCREW				1
68	40153021	INT CORD D ASSY				1
69	40153022	INT CORD E ASSY				1
70	40153023	INT CORD F ASSY				1
71	40153026	SWITCH_BRACKET				1
72	40152578	BED_STUD_PLATE				1
73	SM1050801SC	SCREW M5X0.8 L=8				2
74	40152589	SUB_TABLE_A				1
75	40152588	SUB_TABLE_B				1
76	40039896	CUSHION				1
77	40152584	SUB_TABLE_SUPPORT				1
78	40153618	SUB_TABLE_SUPPORT_SHEET				1
79	SM6040602TP	SCREW M4X0.7 L=6				4
80	WP0450801SC	WASHER 4.5X10X0.8				4
81	40152572	SUB_TABLE_A_SUPPORT_PLATE				2
82	40152579	SUB_TABLE_A_SUPPORT_PLATE_B				1
83	40152573	SUB_TABLE_A_MOUNTING_BASE_A				2
84	40152574	SUB_TABLE_A_MOUNTING_BASE_B				1
85	SL6040892TN	SCREW M4 L=8				16
86	WP0520656SA	WASHER 5.2X9.5X0.6				8
87	SL6061692TN	SCREW M6 L=16				4
88	SM6087002TN	SCREW M8 L=70				2
89	WP0852086SC	WASHER M8				4
90	NM6080001SC	NUT M8X1.25 TYPE1				4
91	GAK33032000	SOLENOID RUBBER				3
92	40152570	GAUGE_220_Y				1
93	40152571	GAUGE_220_X				2
94	40152581	GUIDE_Z				2

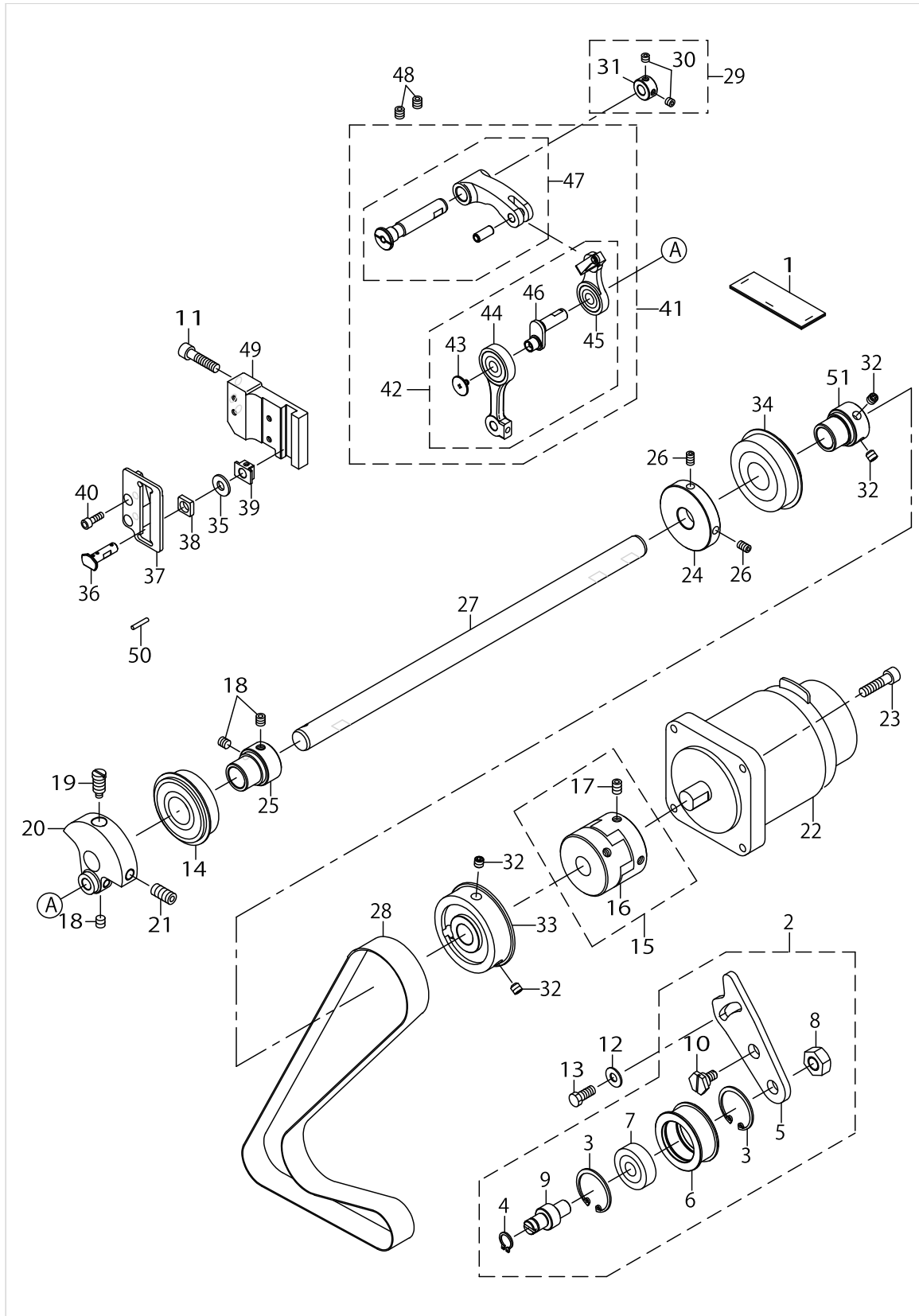
FRAME & MISCELLANEOUS COVER COMPONENTS (2)



FRAME & MISCELLANEOUS COVER COMPONENTS (2)

No.	Parts No.	Parts name	Remarks	Level	Cons	Qty
95	SM5030655SN	SCREW M3X0.5 L=6				4
96	WP0371016SD	WASHER 3.7X8X1				1
97	SM6030402TP	SCREW M3X0.5 L=4				1
98	WP0371016SD	WASHER 3.7X8X1				4
99	CM300200001	ATTENTION SEAL				2
100	40156274	SLIDE PROMOTING TAPE B				1

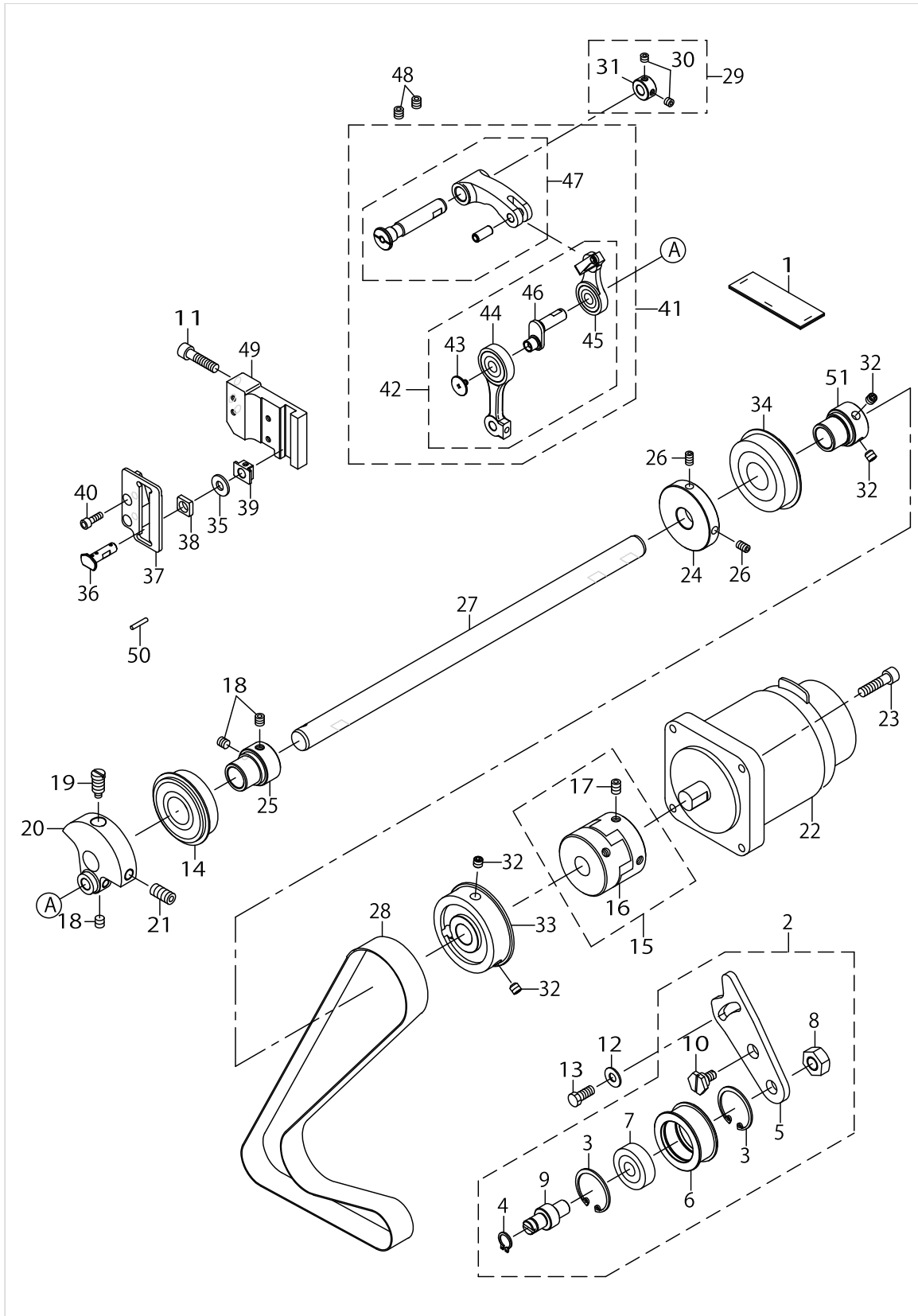
MAIN SHAFT COMPONENTS



MAIN SHAFT COMPONENTS

No.	Parts No.	Parts name	Remarks	Level	Cons	Qty
1	40011517	NEEDLE_BAR_CRANK_FELT				1
2	40142152	IDLER_ASSY				1
3	RC3000002KP	RETAINING RING		*		2
4	RC0100001KP	SNAP RING M10		*		1
5	40152582	IDLER_FIXED_PLATE_220		*		1
6	40153016	IDLER_PULLEY_220		*		1
7	SB110000100	BEARING		*		1
8	NM6100001SD	NUT M10		*		1
9	40153010	IDLER_SHAFT		*		1
10	40153017	IDLER_SCREW		*		1
11	SM6062502TP	SCREW M6 L=25				3
12	WP0621046SP	WASHER				1
13	SM9061403CP	SCREW M6 L=14				1
14	SB120002700	BEARING				1
15	40051473	COUPLING ASM.				1
16	40051474	COUPLING		*		1
17	SM80608A2TP	SCREW M6 L=8		*		4
18	SM80606A2TP	SCREW M6 L=6				4
19	40004171	COUNTER_WEIGHT_SCREW				1
20	40141716	COUNTER_WEIGHT				1
21	SM8081652TP	SCREW M8 L=16				1
22	40138137	IPM550W MOTOR				1
23	SM6052002TP	SCREW M5 L=20				4
24	40010534	BTW_DRIVING_WHEEL				1
25	23605207	BEARING HOLDER				1
26	40010535	DRIVING_WHEEL_SCREW				2
27	40154101	MAIN SHAFT 220				1
28	40141719	TIMING_BELT				1
29	40032269	THRUST COLLAR				1
30	SM80506A2TP	SCREW M5 L=6		*		2
31	CS1000881TP	THRUST COLLAR		*		1
32	SM80606A2TP	SCREW M6 L=6				4
33	40153020	SPROCKET_A_ADDITIONALLY_WORK_220				1
34	SB120000800	BEARING				1
35	40008423	WASHER				1
36	40083369	NEEDLE_CRANK_SHAFT				1
37	40022363	SQUARE_BLOCK_GUIDE_B				1
38	40008426	SQUARE_BLOCK				1
39	40004206	SQUARE_BLOCK				1
40	SM6041202TP	SCREW M4X0.7 L=12				2
41	40141725	THREAD_TAKE_UP_COMP				1
42	40141726	THREAD_TAKE_UP_ASM_C		*		1
43	22918304	SCREW		*		1
44	40142880	NEEDLE_BAR_CRANK_ROD_ASM.		*		1
45	40141727	THREAD_TAKE_UP_ASM_B		*		1
46	40141730	NEEDLE_BAR_CRANK		*		1
47	40142878	TAKE_UP_CRANK_ASM.		*		1

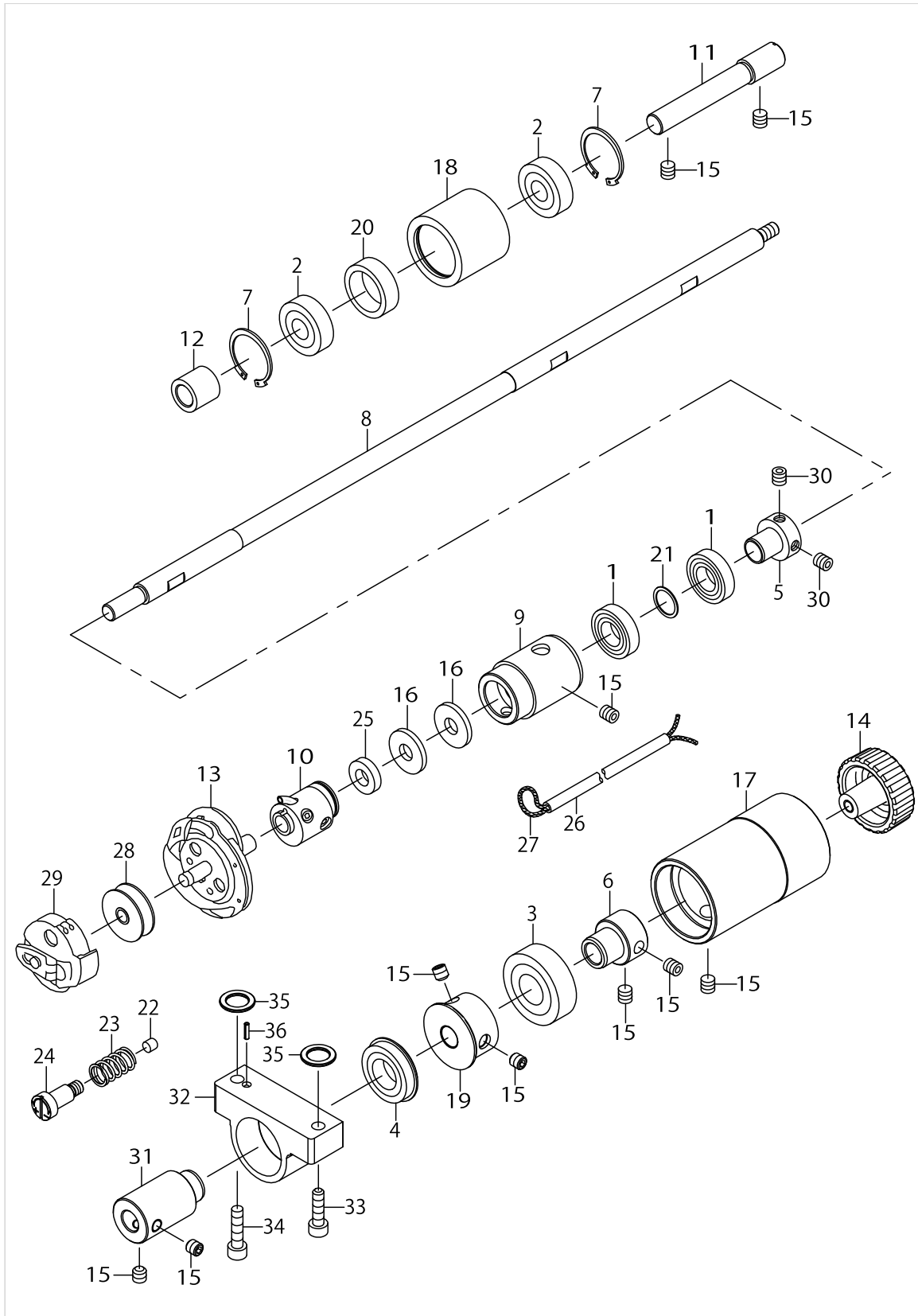
MAIN SHAFT COMPONENTS



MAIN SHAFT COMPONENTS

No.	Parts No.	Parts name	Remarks	Level	Cons	Qty
48	SM80608A2TP	SCREW M6 L=8				2
49	40006307	SQUARE_BLOCK_GUIDE				1
50	CQ252000000	OIL WICK				0.014
51	23605207	MAIN SHAFT BEARING SUPPORT				1

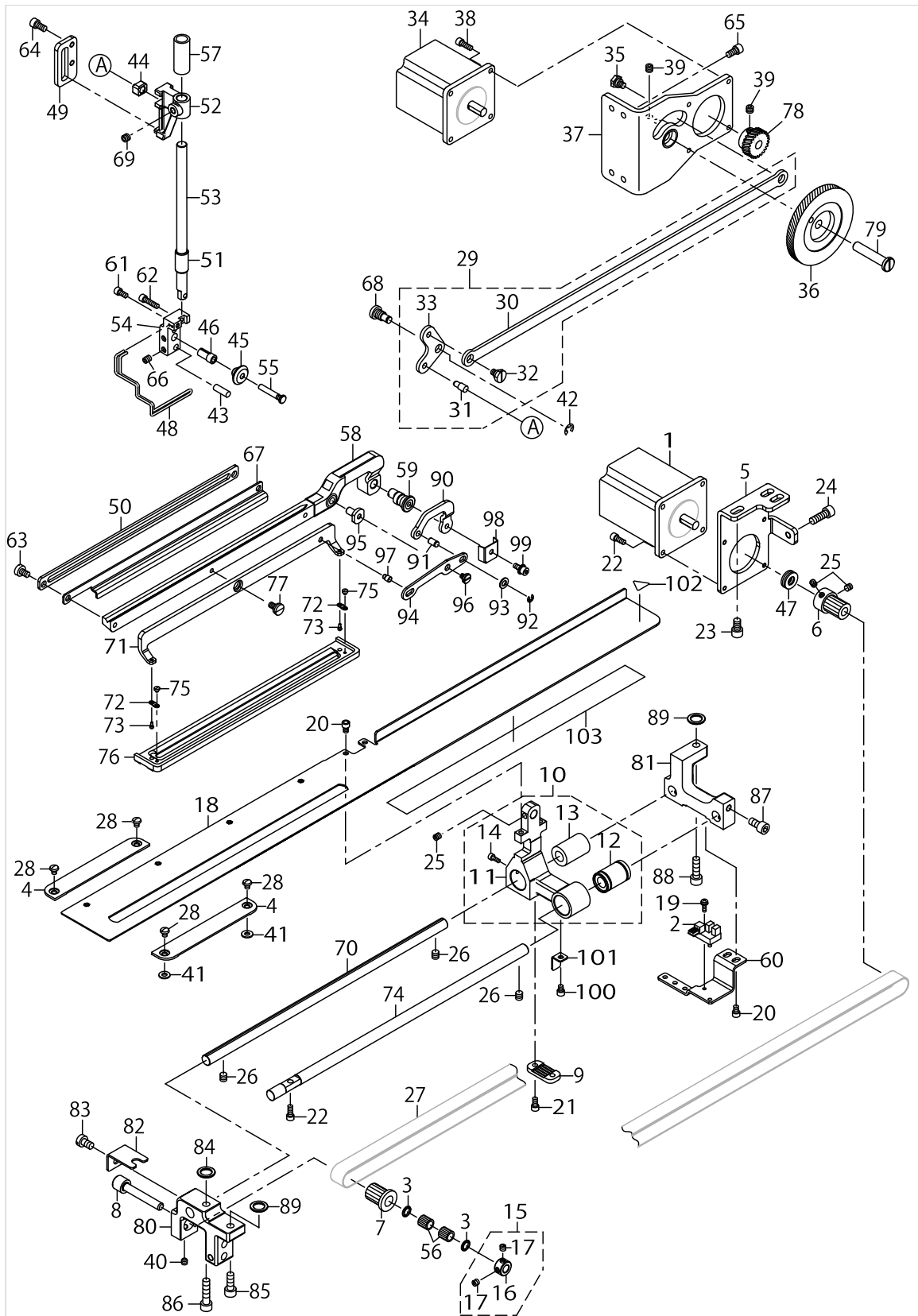
HOOK DRIVING SHAFT COMPONENTS



HOOK DRIVING SHAFT COMPONENTS

No.	Parts No.	Parts name	Remarks	Level	Cons	Qty
1	SB112001600	BEARING				2
2	SB110000600	BALL BEARING				2
3	SB115000200	BEARING				1
4	SB115000600	BALL BEARING				1
5	40004188	BEARING_SUPPORT				1
6	23536204	BUSH				1
7	RC2791218KP	RETAINING RING				2
8	40004186	HOOK_DRIVING_SHAFT				1
9	40004187	HOOK_DRIVING_SHAFT_METAL				1
10	13729660	HOOK SLEEVE ASM.				1
11	40153008	INTERMEDIATE_SPROCKET_SHAFT				1
12	40153009	INTERMEDIATE_SPROCKET_WASHER				1
13	13729066	HOOK COMPL.			☆	1
14	40141739	LOWER_SHAFT_KNOB_B				1
15	SM80606A2TP	SCREW M6 L=6				10
16	40011355	OIL_FILTER				2
17	40153005	BEARING_SUPPORT_REAR				1
18	40004180	SPROCKET_B				1
19	40141740	SPROCKET_C				1
20	13710405	INTERMEDIATE SPROCKET RING				1
21	40006317	WASHER				1
22	40142753	ADJUSTING_PIN_B				1
23	40142754	ADJUSTING_SPRING_B				1
24	40153617	ADJUSTING SCREW 220				1
25	40006320	FELT				1
26	23630007	TUBE				1
27	CQ202000000	OIL WICK				1
28	B1811771000	BOBBIN			☆	1
29	13729769	BOBBIN CASE ASM.			☆	1
30	SM8050502TP	SCREW M5 L=5				2
31	40153004	BUSH				1
32	40151936	BEARING_SUPPORT_CENTER				1
33	SM6051802TP	SCREW M5 L=18				1
34	SM6052002TP	SCREW M5 L=20				1
35	101112A9	THRUST WASHER				2
36	PS0200082KH	SPRING PIN				1

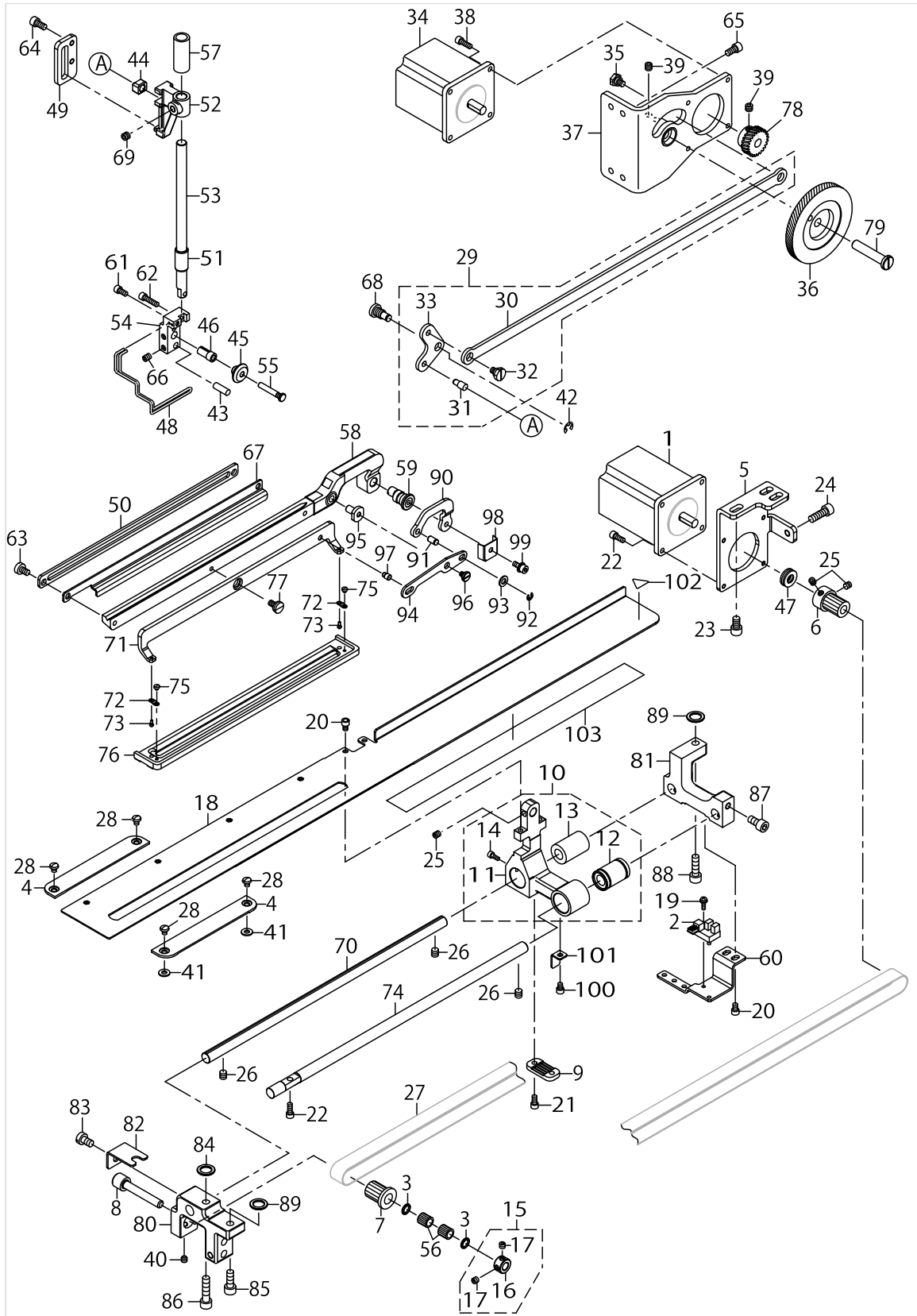
PRESSER & FEED COMPONENTS



PRESSER & FEED COMPONENTS

No.	Parts No.	Parts name	Remarks	Level	Cons	Qty
1	40139181	FEED MOTOR ASSY				1
2	HD00057000A	PHOTO SENSOR				1
3	22891204	BEARING SUPPORT				2
4	40075297	THROAT_PLATE_BASE_COVER				2
5	40152564	FEED_MOTOR_BRACKET				1
6	40108754	PULLEY_B				1
7	40004197	PULLEY_C				1
8	40004198	SUPPORT_SHAFT				1
9	40004200	TIMING_BELT HOLDER				1
10	40142154	FEED_BASE_ASM				1
11	40151935	FEED_BASE_220		*		1
12	SB710000600	BEARING		*		1
13	SB710000500	BEARING		*		1
14	SM6030802TP	SCREW M3X0.5 L=8		*		1
15	40010434	THRUST_COLLAR_ASM.				1
16	40010435	THRUST_COLLAR		*		1
17	SM8050412TP	SCREW M5 L=4		*		2
18	40156791	WORK_CLAMP_CARRIER_220				1
19	SL4031091SC	SCREW M3 L=10				1
20	SM6040602TP	SCREW M4 L=6				4
21	SM6040802TP	SCREW M4X0.7 L=8				2
22	SM6041002TP	SCREW M4 L=10				5
23	SM6061002TP	SCREW M6 L=10				3
24	SM6061802TP	SCREW M6 L=18				1
25	SM8050502TP	SCREW M5 L=5				3
26	SM80606A2TP	SCREW M6 L=6				3
27	40141742	TIMING_BELT				1
28	SM5040550TP	SCREW M4 L=5				4
29	40142161	LIFTING_LINK_ASSY				1
30	40141788	LINK_ROD_S		*		1
31	40141801	LIFTING_LINK_PIN		*		1
32	SD0800326TP	SHOULDER SCREW		*		1
33	40142755	LIFTING_LINK		*		1
34	40139182	CLAMP MOTOR ASSY				1
35	SD0800326TP	SHOULDER SCREW				1
36	40004289	ASSY PBL GEAR L				1
37	40004267	ASSY_PBL_MOTOR_BASE				1
38	SM6041202TP	SCREW M4X0.7 L=12				4
39	SM8060552TP	SCREW M6 L=5				5
40	SM80606A2TP	SCREW M6 L=6				1
41	WP0451026SH	WASHER				2
42	RE0500000K0	E-RING				1
43	13127402	PIN (SHORT) C				1
44	40141757	SQUARE_BLOCK				1
45	40141755	SLIDE_ROLLER				1
46	40141754	COLLAR				1
47	SB408000100	BEARING				1

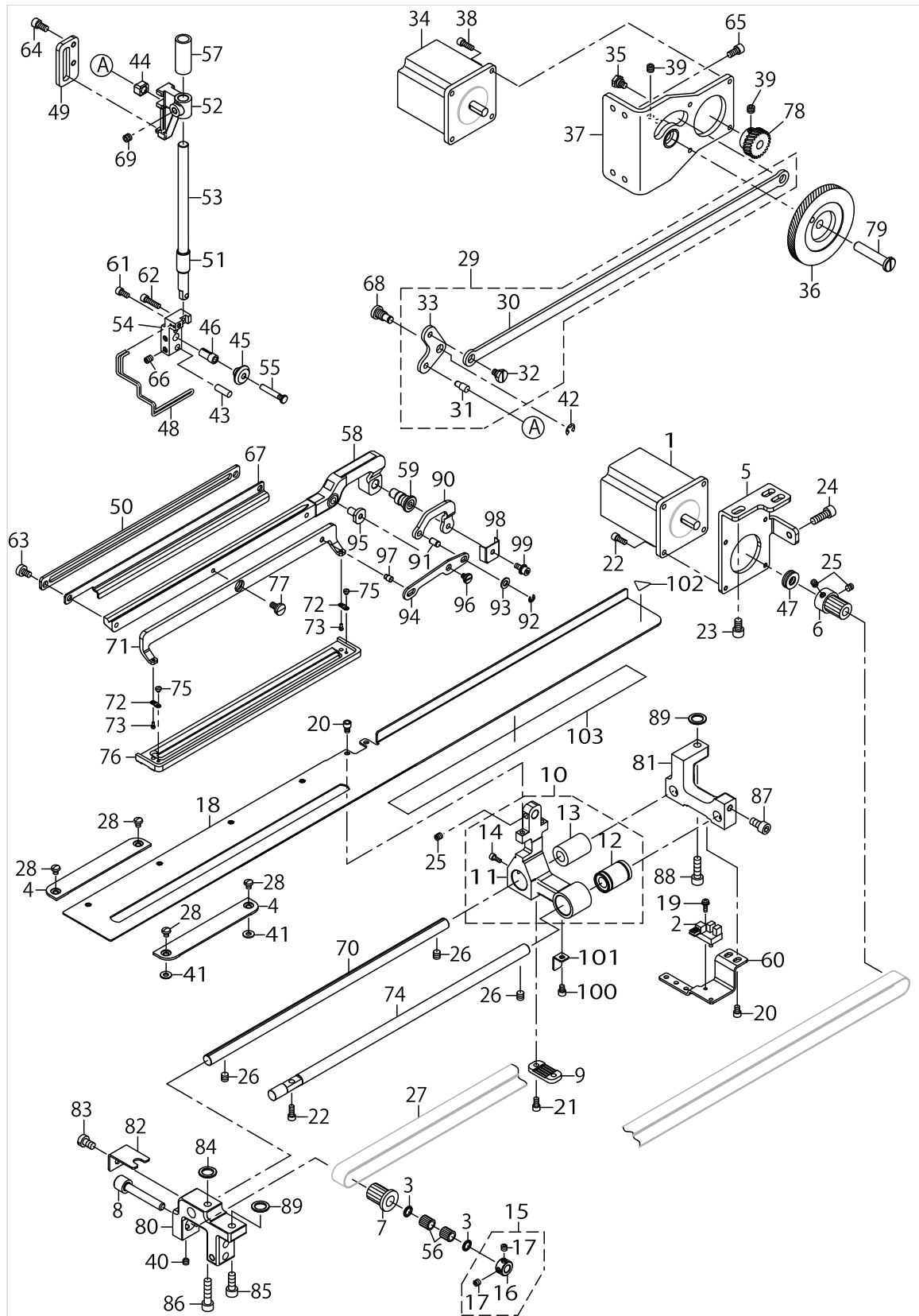
PRESSER & FEED COMPONENTS



PRESSER & FEED COMPONENTS

No.	Parts No.	Parts name	Remarks	Level	Cons	Qty
48	40004285	PBL_FINGER_GUARD			☆	1
49	40141794	PBL_GUIDE				1
50	40152585	LIFTING_PLATE_220				1
51	40004279	PBL_METAL				1
52	40141747	POSITION_BRACKET				1
53	40141745	PRESSER_BAR				1
54	40141753	PBL_ROLLER_BASE				1
55	40141756	PBL_ROLLER_SHAFT				1
56	SB307000200	BEARING				2
57	40141746	METAL_U				1
58	40151938	PBL_WORK_CLAMP_ARM_220				1
59	40154395	PBL_WORK_CLAMP_ARM_SHAFT_220				1
60	40152568	FEED_SENSOR_PLATE_220				1
61	SM6040802TP	SCREW M4X0.7 L=8				1
62	SM6041602TP	SCREW M4X0.7 L=16				1
63	SM6050800SP	SCREW M5 L=8				2
64	SM6051002TP	SCREW M5X0.8 L=10				4
65	SM6051002TP	SCREW M5X0.8 L=10				4
66	SM8050602TP	SCREW M5 L=6				2
67	40152565	UTT_CLOSE_CAM_220B				1
68	40141748	LIFTING_LINK_SHAFT				1
69	SM8060612TP	SCREW M6 L=6				1
70	40153007	FEED_SHAFT				1
71	40152587	WORK_CLAMP_CHECK HOLDER_220				1
72	B1509761000	WORK CLAMP CHECK SPRING				2
73	B151077100B	WORKCLAMPCHECKSPRINGSETPIN(B)				2
74	40153006	FEED GUIDE SHAFT				1
75	SS6060210SP	SCREW 3/32-56 L=1.9				2
76	40164518	WORK CLAMP 220			☆	1
77	SD0790203SP	HINGE SCREW D=7.94 H=2				1
78	40004291	PBL GEAR S				1
79	40004275	PBL_GEAR_SHAFT				1
80	40151937	FEED_SHAFT_BLOCK_A				1
81	40151939	FEED_SHAFT_BLOCK_B				1
82	40152567	L_BLOCK				1
83	SM6061010TP	SCREW				1
84	10111201	THRUST WASHER				1
85	SM6061602TP	SCREW				1
86	SM6062502TP	SCREW				1
87	SM6061202TP	SCREW				1
88	SM6062002TP	SCREW				1
89	101112A9	THRUST WASHER 1.3				2
90	40152576	PARALLEL_LINK_PIN_BASE				1
91	40153024	PARALLEL_LINK_PIN_B				1
92	RE0300000K0	E-RING 3				1
93	WP0531000SD	WASHER M5				1
94	40152577	PARALLEL_LINK_ARM				1

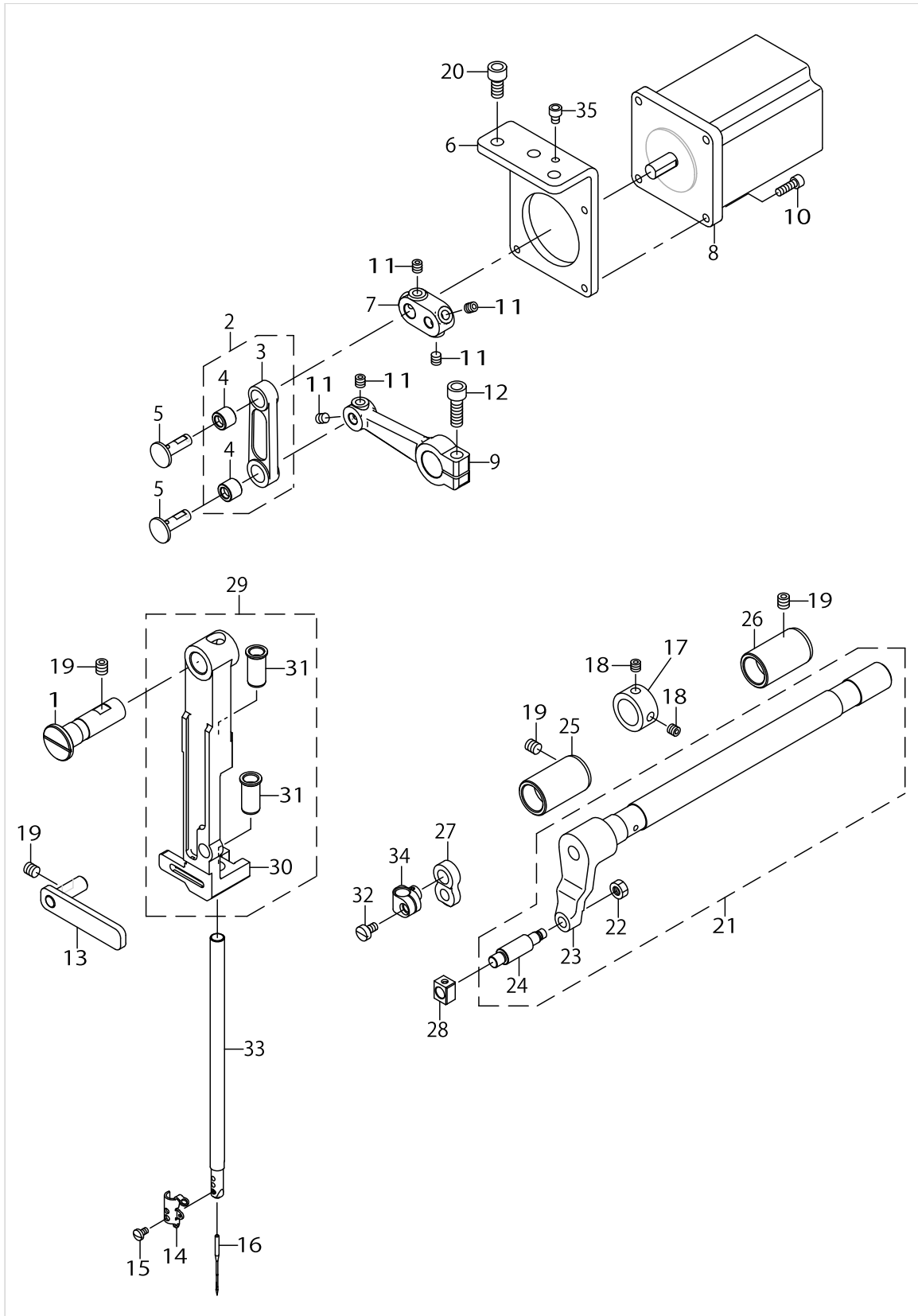
PRESSER & FEED COMPONENTS



PRESSER & FEED COMPONENTS

No.	Parts No.	Parts name	Remarks	Level	Cons	Qty
95	40153013	PARALLEL_SCREW				1
96	SD0600208TP	SHOULDER SCREW D=6 H=2				1
97	40153012	PARALLEL_LINK_PIN				1
98	40152569	GREASE_COVER				1
99	SL6040892TN	BOLT				1
100	SM6040502TP	SCREW M4X0.7 L=5				1
101	40141744	SENSOR_SLIT_PLATE				1
102	CM300200001	ATTENTION SEAL				1
103	40154136	SLIDE_PROMOTING_TAPE_300				1

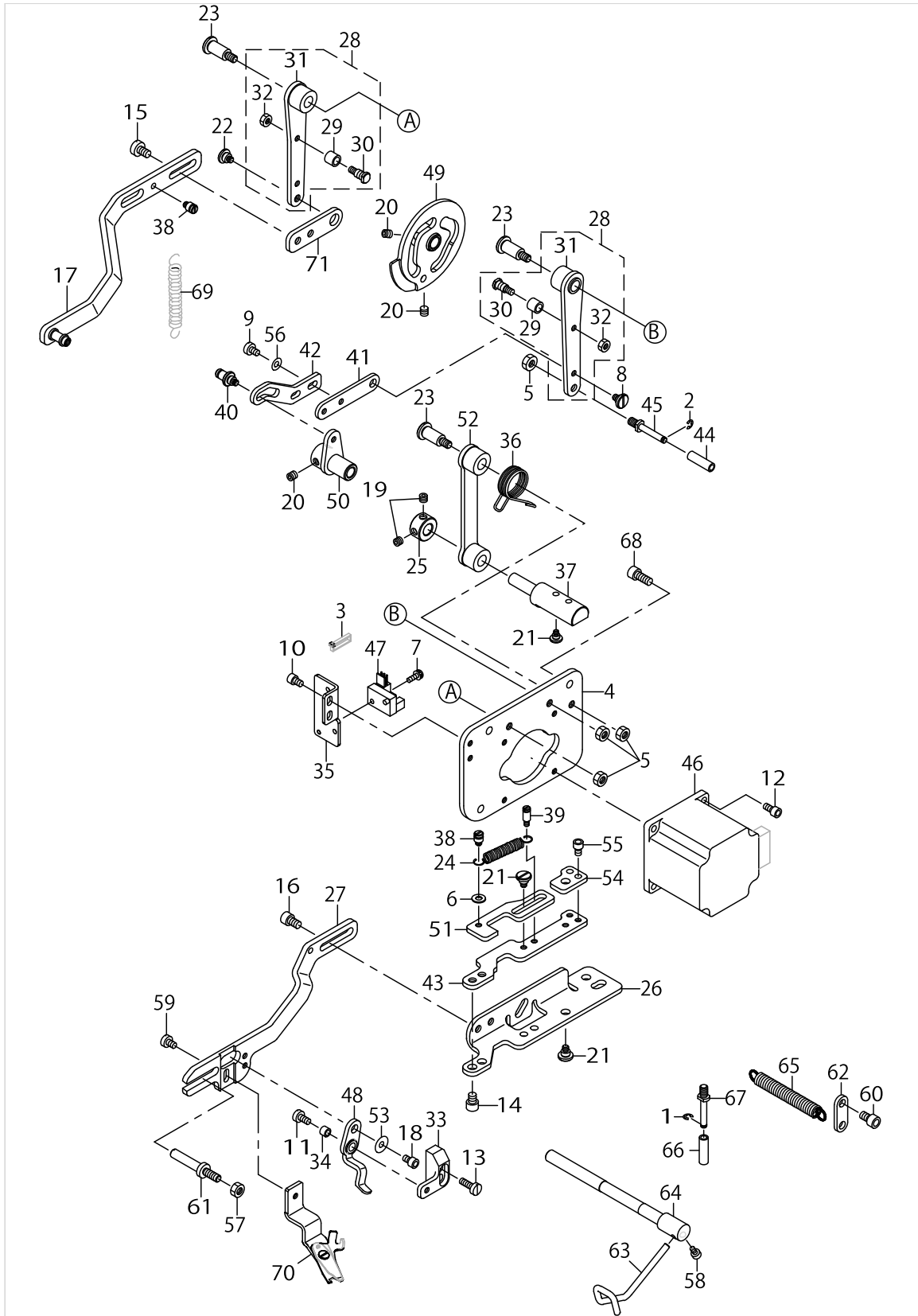
NEEDLE BAR ROCKING COMPONENTS



NEEDLE BAR ROCKING COMPONENTS

No.	Parts No.	Parts name	Remarks	Level	Cons	Qty
1	40088990	SUPPORT_SHAFT				1
2	40004378	ZIGZAG ROD ASM.				1
3	40004379	ZIGZAG ROD		*		1
4	23530405	SHAFT HOLDER LINK BUSH		*		2
5	40008671	P=JUNCTION SHAFT SELECTIVE PARTS	SELECTIVE PARTS			2
6	40141758	ZIGZAG_DRIVE_UNIT_BASE				1
7	40141759	MOTOR_LEVER				1
8	40139180	NEEDLE SWING MOTOR ASSY				1
9	40141760	ZIGZAG_LEVER_REAR				1
10	SM6041202TP	SCREW M4X0.7 L=12				4
11	SM8050502TP	SCREW M5 L=5				6
12	SM6061802TP	SCREW M6 L=18				1
13	40004218	FRAME SUPPORT PLATE ASM.				1
14	13706403	NEEDLE BAR THREAD GUIDE			☆	1
15	SM7030550TP	SCREW M3 L=4.5			☆	1
16	MDP5J0B1100	NEEDLE DPX5 #11J			☆	1
17	CS1501181TP	THRUST COLLAR D=15 W=11				1
18	SM8050502TP	SCREW M5 L=5				2
19	SM80606A2TP	SCREW M6 L=6				4
20	SM6061202TP	SCREW M6 L=12				3
21	40004224	ZIGZAG LEVER SHAFT ASM.				1
22	NM6050001SP	NUT M5		*		1
23	40004373	ZIGZAG LEVER SHAFT		*		1
24	40004374	ZIGZAG_STUD		*		1
25	40004216	BUSHING				1
26	40004217	BUSHING REAR				1
27	40004209	NEEDLE_BAR_ROD				1
28	B1414232000	SQUARE BLOCK				1
29	40004222	NEEDLE_BAR_FRAME_ASSY				1
30	40004212	NEEDLE_BAR_FRAME		*		1
31	40004213	NEEDLE BAR METAL		*		2
32	SM6040750TP	SCREW M4 L=7				1
33	40004215	NEEDLE BAR				1
34	40004214	NEEDLE_BAR_CONNECTION				1
35	SM6040502TP	SCREW M4X0.7 L=5				1

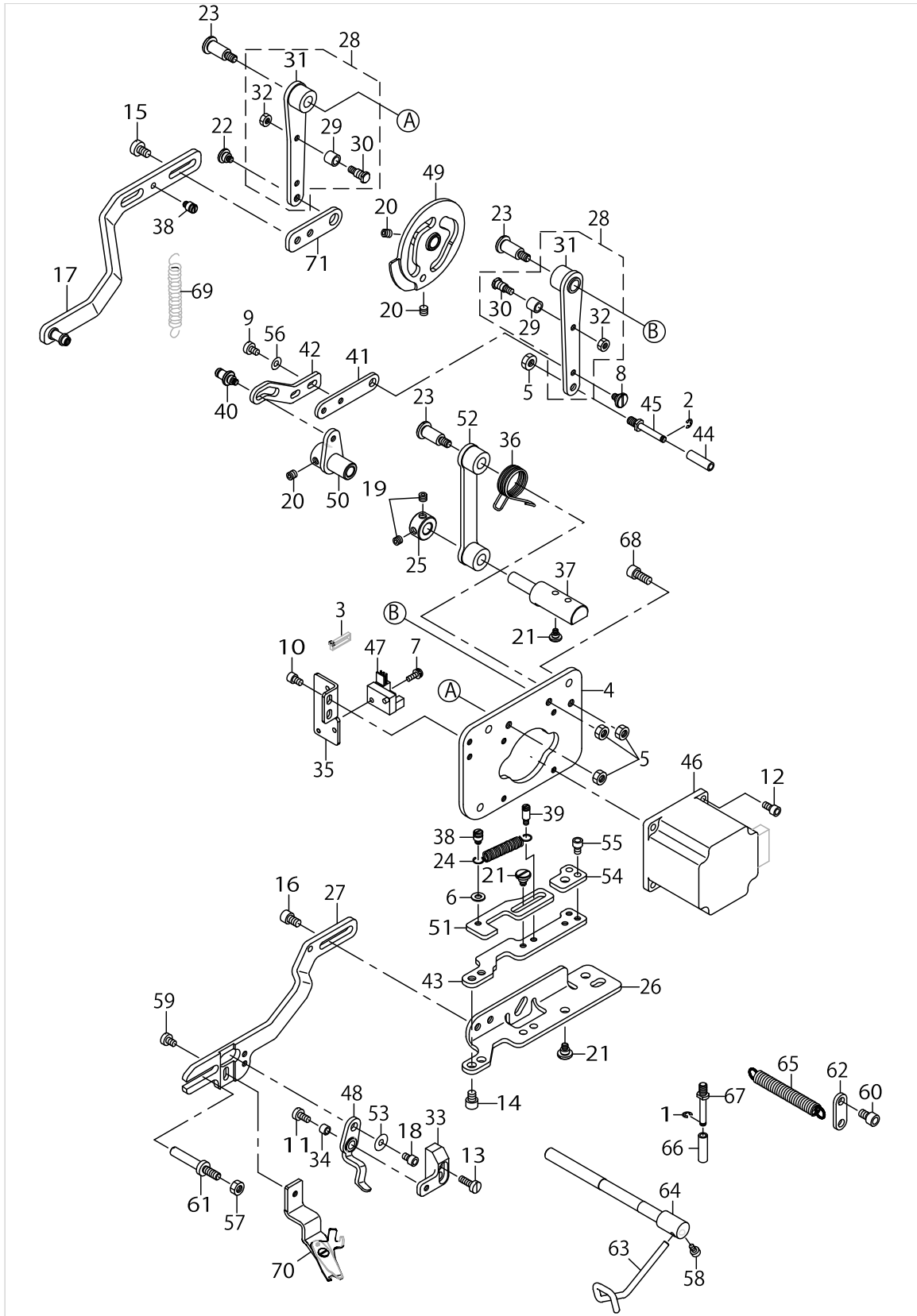
NEEDLE THREAD TRIMMER COMPONENTS



NEEDLE THREAD TRIMMER COMPONENTS

No.	Parts No.	Parts name	Remarks	Level	Cons	Qty
1	RE030000K0	E-RING 3				1
2	RE030000K0	E-RING 3				1
3	EA9500B0100	CABLE BAND				1
4	40004293	UTT BASE PLATE				1
5	NM6050001SP	NUT M5				4
6	WP0430801SC	WASHER 4.3X9X0.8				1
7	SL4031091SC	SCREW M3 L=10				1
8	SD0600266TP	SHOULDER SCREW D=6 H=2.6				1
9	SM6040600SP	SCREW M4 L=6				2
10	SM6040602TP	SCREW M4 L=6				2
11	SM6040860TP	SCREW M4 L=8				1
12	SM6040802TP	SCREW M4X0.7 L=8				4
13	SM6041200SP	SCREW M4 L=12				2
14	SM6050652TP	HEXAGON SOCKET HEAD SCREW M5X6				2
15	SM6050800SP	SCREW M5 L=8				2
16	SM6050802TP	SCREW M5X0.8 L=8				2
17	40004400	ASSY UTT RELEASE ARM B				1
18	SM6040602TP	SCREW M4 L=6				1
19	SM8050412TP	SCREW M5 L=4				2
20	SM8050502TP	SCREW M5 L=5				4
21	SD0600326TP	SHOULDER SCREW D=6 H=3.2				4
22	SD0800406TP	SHOULDER SCREW D=8 H=4				1
23	SD0801506TP	SHOULDER SCREW D=8 H=15				3
24	11272507	SPRING				1
25	CS0800881TP	THRUST COLLAR				1
26	40004235	UTT ARM A				1
27	40004238	UTT_ARM_B				1
28	40101641	ASSY_UTT_CAM_ARM				2
29	40004254	UTT CAM ROLLER		*		1
30	40101638	UTT_CAM_ROLLER_SHAFT		*		1
31	40101642	UTT_CAM_ARM		*		1
32	NM6040000SN	NUT M4		*		1
33	40004264	UTT RELEASE LEVER BASE				1
34	40004265	UTT RELEASE LEVER SHAFT				1
35	40141774	SENSOR_PLATE_UTT				1
36	40004296	UTT_SUPPORT_ARM_SPRING				1
37	40004234	UTT SUPPORT SHAFT				1
38	40004248	UTT SUSPENSION SCREW 4				2
39	40004252	UTT SUSPENSION SCREW 9				1
40	40004247	UTT SUSPENSION SHOULDER SCREW				1
41	40004244	UTT THREAD PULLING LINK A				1
42	40004245	UTT THREAD PULLING LINK B				1
43	40004236	UTT X-CAM				1
44	40004297	UTT Y-DRIVE ROLLER				1
45	40004298	UTT Y-DRIVE SHAFT				1
46	40140040	UTT TRIM MOTOR ASSY				1
47	HD00057000A	PHOTO SENSOR				1

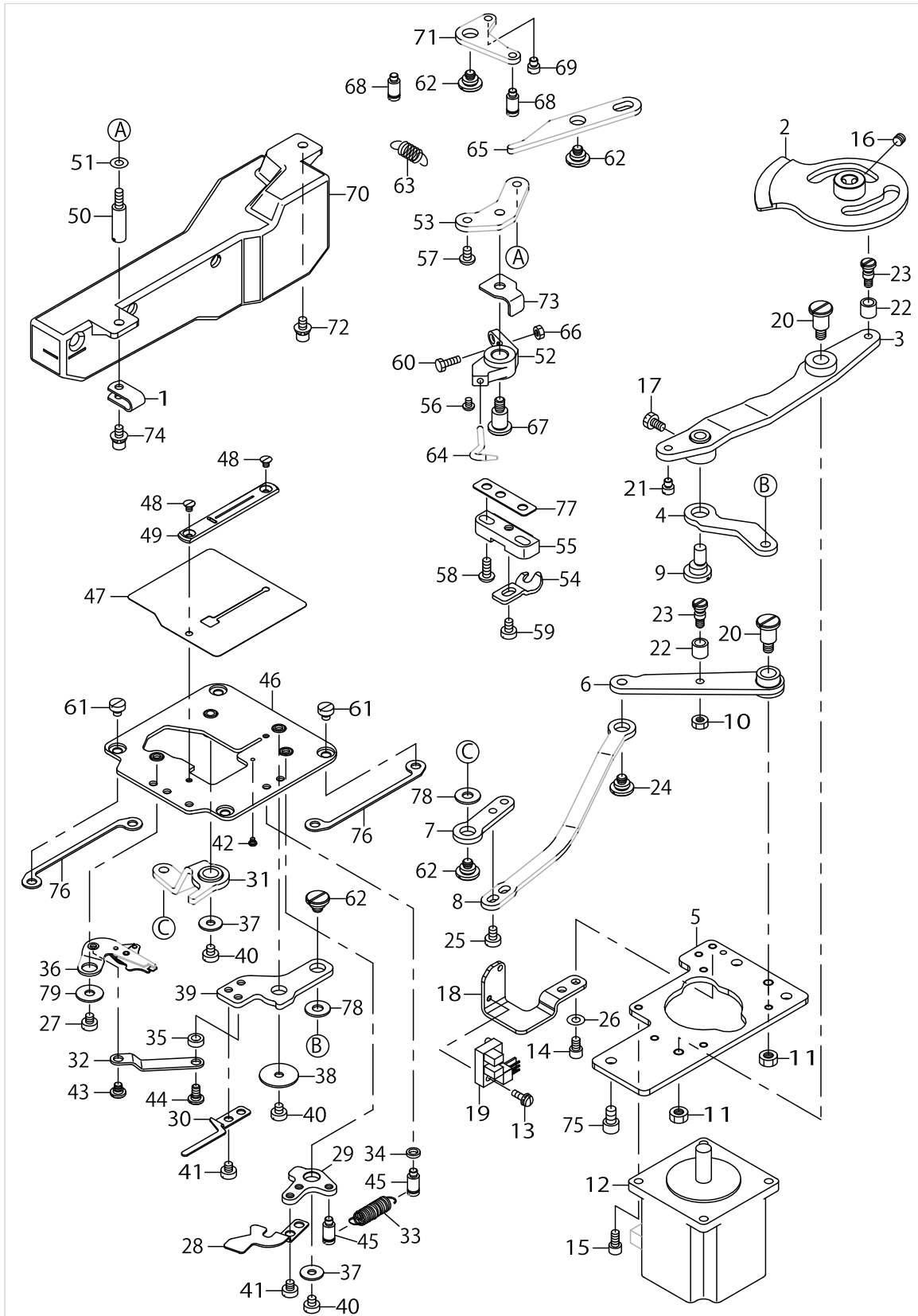
NEEDLE THREAD TRIMMER COMPONENTS



NEEDLE THREAD TRIMMER COMPONENTS

No.	Parts No.	Parts name	Remarks	Level	Cons	Qty
48	40028634	ASSY_UTT_RELEASE_LEVER_B				1
49	40142166	ASSY_UTT_DRIVE_CAM				1
50	40004240	ASSY_UTT_THREAD_PULLING_ARM				1
51	40015702	UTT_RATCH_PLATE_B				1
52	40004232	ASSY_UTT_SUPPORT_ARM				1
53	WP0431005SP	PLAIN WASHER 4.3X12X1				1
54	40015674	UTT_RATCH_STOPPER				1
55	SM6040602TP	SCREW M4 L=6				2
56	WP0550800SP	WASHER 5.5X10X0.8				2
57	NM6050001SP	NUT M5				1
58	SM6040602TP	SCREW M4 L=6				1
59	SM6040600SP	SCREW M4 L=6				1
60	SM6050802TP	SCREW M5X0.8 L=8				1
61	40028636	UTT_GUIDE_SHAFT_B				1
62	40004249	UTT_SUSPENSION_PLATE				1
63	40004243	UTT_THREAD_PULLING_LEVER				1
64	40004246	UTT_THREAD_PULLING_SHAFT				1
65	40004250	UTT_TRIMMER_CLOSE_SPRING				1
66	40004297	UTT_Y-DRIVE_ROLLER				1
67	40004298	UTT_Y-DRIVE_SHAFT				1
68	SM6051202TP	SCREW M5X0.8 L=12				3
69	MAZ16013000	BUTTON_SUPPORT_LEVER_SPRING				1
70	40004255	ASSY_UTT_TRIMMER			☆	1
71	40004294	UTT_RELEASE_ARM_A				1

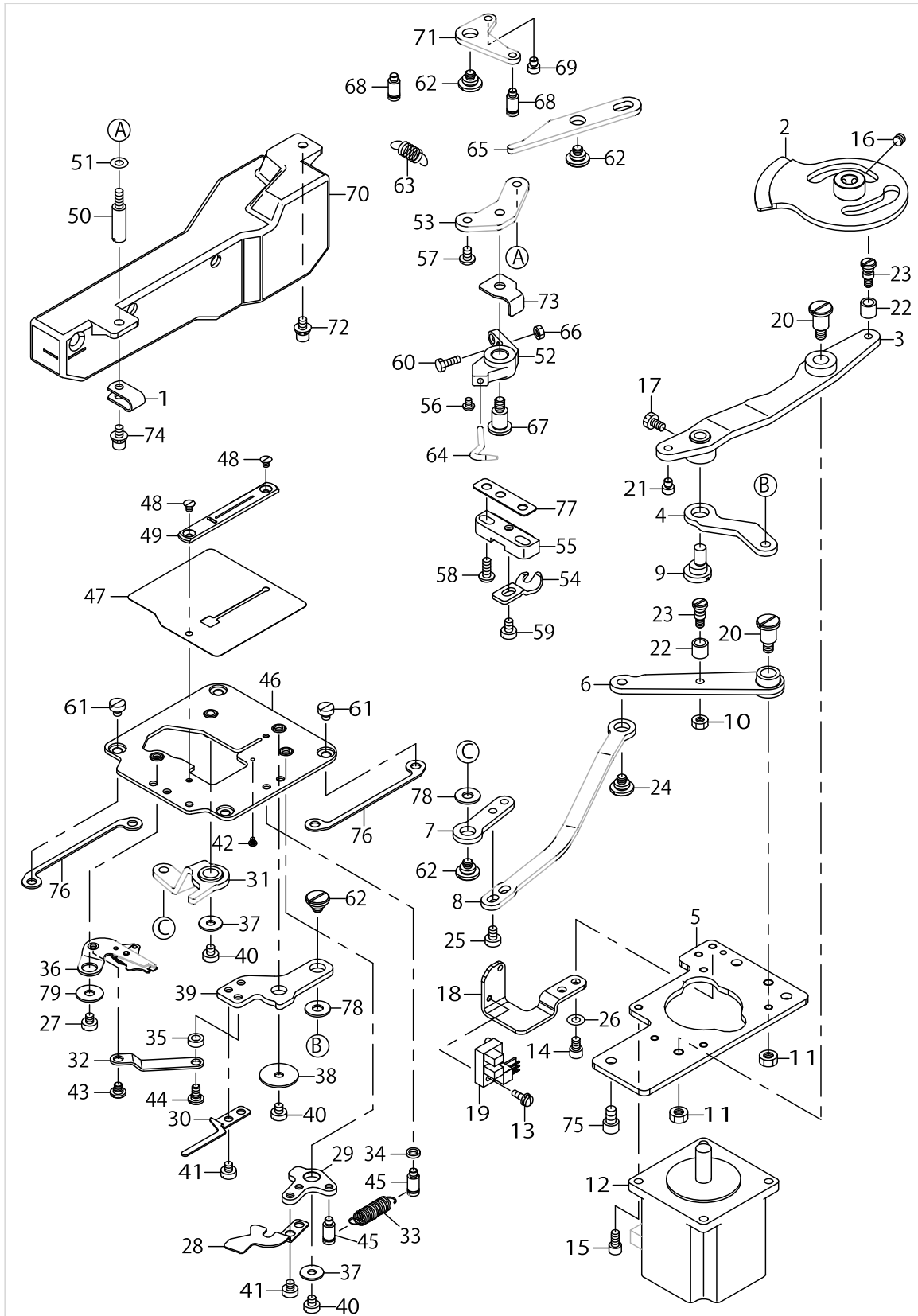
BOBBIN THREAD TRIMMER COMPONENTS



BOBBIN THREAD TRIMMER COMPONENTS

No.	Parts No.	Parts name	Remarks	Level	Cons	Qty
1	HX00150000A	CABLE CLAMP				1
2	40142170	ASSY_BTT_DRIVE_CAM				1
3	40004336	ASSY_BTT_DRIVE_LEVER				1
4	40004329	BTT_DRIVE_LINK				1
5	40141778	BTT_DRIVE_UNIT_BASE				1
6	40101649	BTT_RELEASE_LEVER				1
7	40004343	BTT_RELEASE_LINK_F				1
8	40004344	BTT_RELEASE_LINK_R				1
9	13737408	LINK ROD				1
10	NM6040001SD	NUT M4				1
11	NM6050001SP	NUT M5				2
12	40140041	DT TRIM MOTOR ASSY				1
13	SL4031091SC	SCREW M3 L=10				1
14	SM6040602TP	SCREW M4 L=6				2
15	SM6040802TP	SCREW M4X0.7 L=8				4
16	SM8050412TP	SCREW M5 L=4				2
17	SM9040700SP	HEXAGONAL BOLT				1
18	40141779	SENSOR_PLATE_BTT				1
19	HD00057000A	PHOTO SENSOR				1
20	SD0801006TP	SHOULDER SCREW D=8 H=10				2
21	40004299	STOPPER_PIN				1
22	40004254	UTT_CAM_ROLLER				2
23	40101638	UTT_CAM_ROLLER_SHAFT				2
24	SD0800296TP	SHOULDER SCREW D=8 H=2.9				1
25	SM6040600SP	SCREW M4 L=6				2
26	WP0430801SC	WASHER 4.3X9X0.8				2
27	SM6040460TP	SCREW				1
28	40022323	BT_CLAMP_B			☆	1
29	40004309	BT_CLAMP_LEVER				1
30	40022322	BT_PULLER_B			☆	1
31	40004321	ASSY_BT_RELEASE_ARM				1
32	40004308	BT_TRIMMER_LINK				1
33	40029613	CLAMP_SPRING				1
34	B1623180000	WASHER				1
35	B3013141H0A	WASHER				1
36	40004311	BT_TRIMMER			☆	1
37	WP0431005SP	PLAIN WASHER 4.3X12X1				2
38	WP0451016SP	WASHER 4.5X20X1				1
39	40004306	BTT_LEVER				1
40	SM6040450TP	SCREW M4 L=4				3
41	SM6040450TP	SCREW M4 L=4				4
42	SD0250101SP	HINGE SCREW				1
43	SD0500166TP	SHOULDER SCREW D=5 H=1.6				1
44	SD0500167TP	SHOULDER SCREW D=5 H=1.6				1
45	40004327	SUSPENSION_SCREW				2
46	40004301	ASSY_THROAT_PLATE_BASE				1
47	40004324	OIL_SHIELD				1

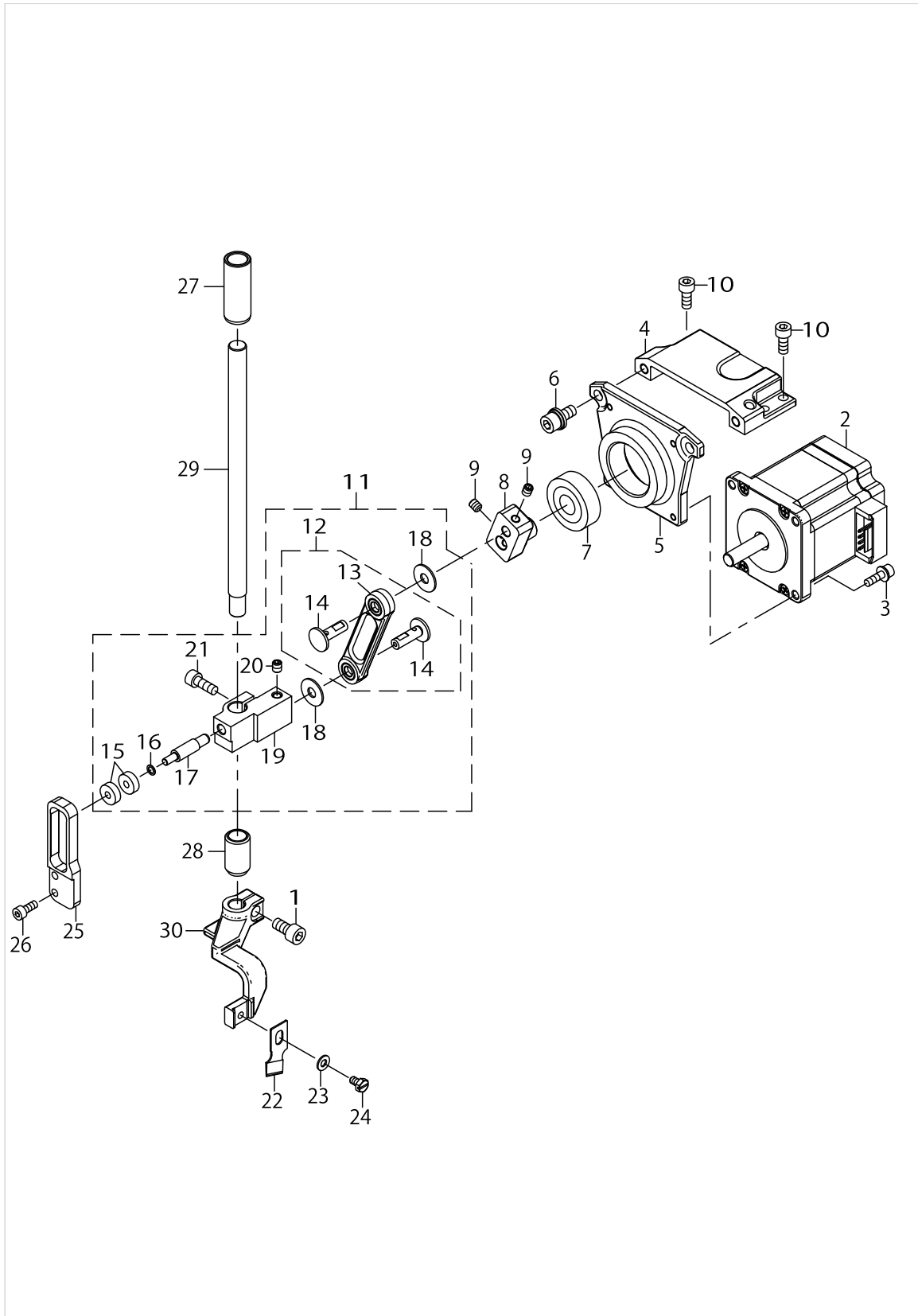
BOBBIN THREAD TRIMMER COMPONENTS



BOBBIN THREAD TRIMMER COMPONENTS

No.	Parts No.	Parts name	Remarks	Level	Cons	Qty
48	SM1030400SP	SCREW M3 L=4				2
49	40156792	THROAT PLATE 3B			☆	1
50	40011205	STUD				1
51	WP0430800SC	WASHER M4				1
52	40004345	PICKER_BASE				1
53	40004347	PICKER_BASE_FITTING_PLATE				1
54	13727102	STOPPER A			☆	1
55	40004325	POSITIONING_PLATE_BASE				1
56	SM4030455SN	SCREW M3 L=4				1
57	SM6040602TP	SCREW M4 L=6				1
58	SM4041050TP	SCREW M4 L=10				2
59	SM6040600SP	SCREW M4 L=6				1
60	SM6041200SP	SCREW M4 L=12				1
61	SM6040450TP	SCREW M4 L=4				4
62	SD0800296TP	SHOULDER SCREW D=8 H=2.9				4
63	40011327	PICKER_SPRING				1
64	40004346	PICKER			☆	1
65	40004348	PICKER_ACTUATING_LEVER				1
66	NM6040001SD	NUT M4				1
67	SD0801006TP	SHOULDER SCREW D=8 H=10				1
68	40004327	SUSPENSION_SCREW				2
69	40004299	STOPPER_PIN				1
70	40141802	OIL_TANK				1
71	40004349	PICKER_ACTUATING_L_LINK				1
72	SL6040892TN	SCREW				4
73	40004328	PICKER_BASE_STOPPER				1
74	SL6041092TN	SCREW				1
75	SM6050802TP	SCREW M5X0.8 L=8				3
76	40011319	THROAT_PLATE_BASE_SPACER				2
77	40004326	BTT_SPACER				1
78	WP0551016SH	WASHER 5.5X13X1				2
79	WP0501046SC	WASHER 5X13X1				1

CLOTH CUTTING KNIFE COMPONENTS



CLOTH CUTTING KNIFE COMPONENTS

No.	Parts No.	Parts name	Remarks	Level	Cons	Qty
1	SM6061202TP	SCREW M6 L=12				1
2	40139183	CLOTH CUT MOTOR ASSY				1
3	SL6041492TN	SCREW				4
4	40141781	MOTOR_BASE_A				1
5	40141780	MOTOR_BASE_B				1
6	SL6061492TN	BOLT				2
7	SB112000300	BEARING				1
8	40141782	KNIFE_DRIVING_BLOCK				1
9	SM8050612TP	SCREW M5X6				3
10	SM6051202TP	SCREW M5X0.8 L=12				4
11	40142163	KNIFE_DRIVING_ASSY				1
12	40142164	KNIFE_DRIVING_LINK_ASSY		*		1
13	40141783	KNIFE_DRIVING_LINK_COMBINATION		*		1
14	40010288	JUNCTION SHAFT C		*		2
15	SB104000800	BEARING		*		2
16	40010489	AT_PIVOT_SCREW_WASHER		*		1
17	40141786	SUPPORT_SHAFT		*		1
18	40042089	THRUST WASHER		*		2
19	40141785	KNIFE_BAR_BRACKET		*		1
20	SM8050612TP	SCREW M5X6		*		1
21	SM6051402TP	SCREW M5X0.8 L=14		*		1
22	B2702047L00A	KNIFE 1/2			☆	1
23	WP0430801SC	WASHER M4				1
24	SM9040700SP	HEXAGONAL BOLT			☆	1
25	40141787	SUPPORT_GUIDE				1
26	SM6041002TP	SCREW M4 L=10				2
27	40004398	KNIFE_BAR_BUSH				1
28	40040276	KNIFE_BAR_LOWER_BUSHING				1
29	40004394	KNIFE BAR				1
30	40165707	KNIFE BAR BASE				1

TABLE COMPONENTS

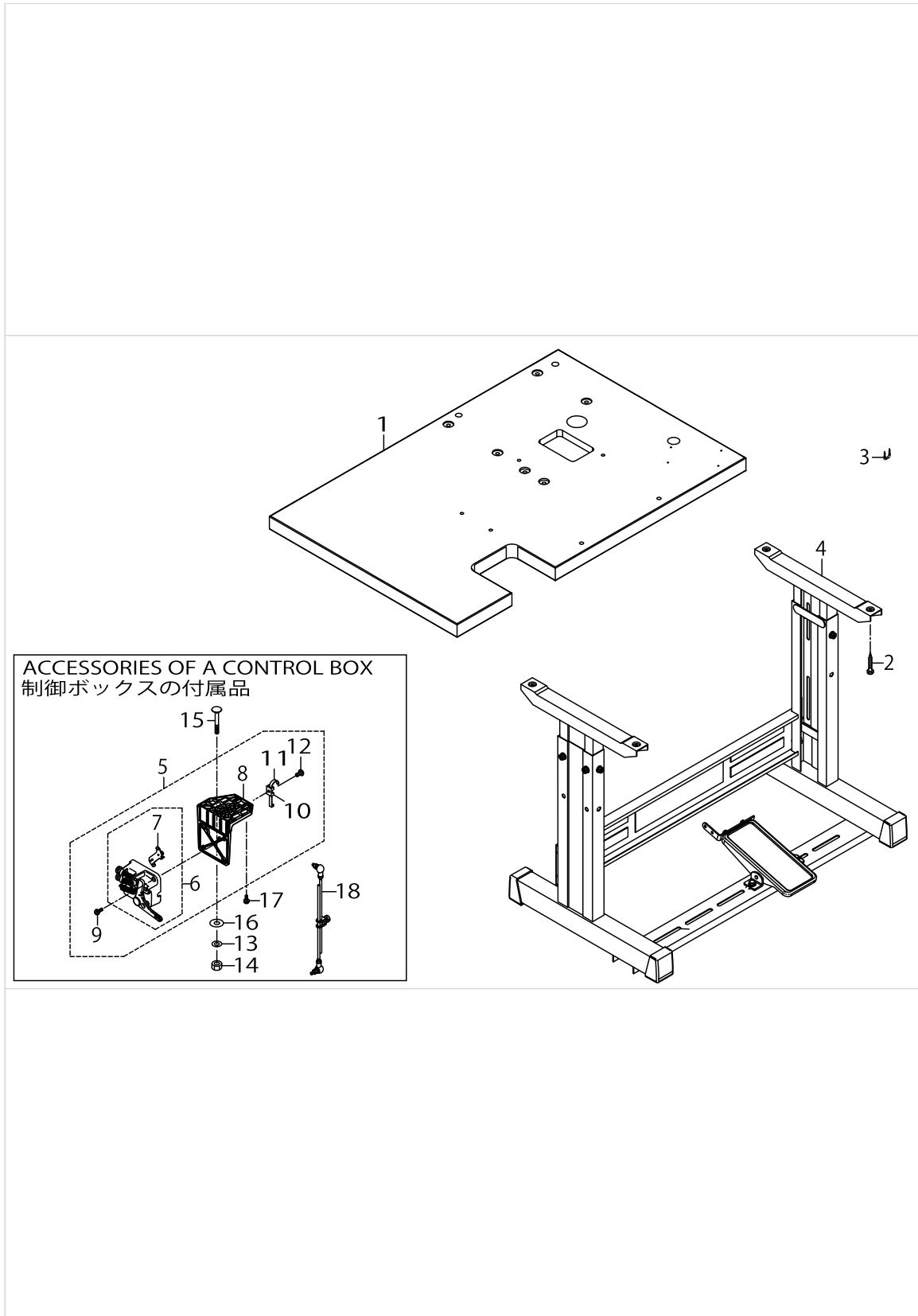
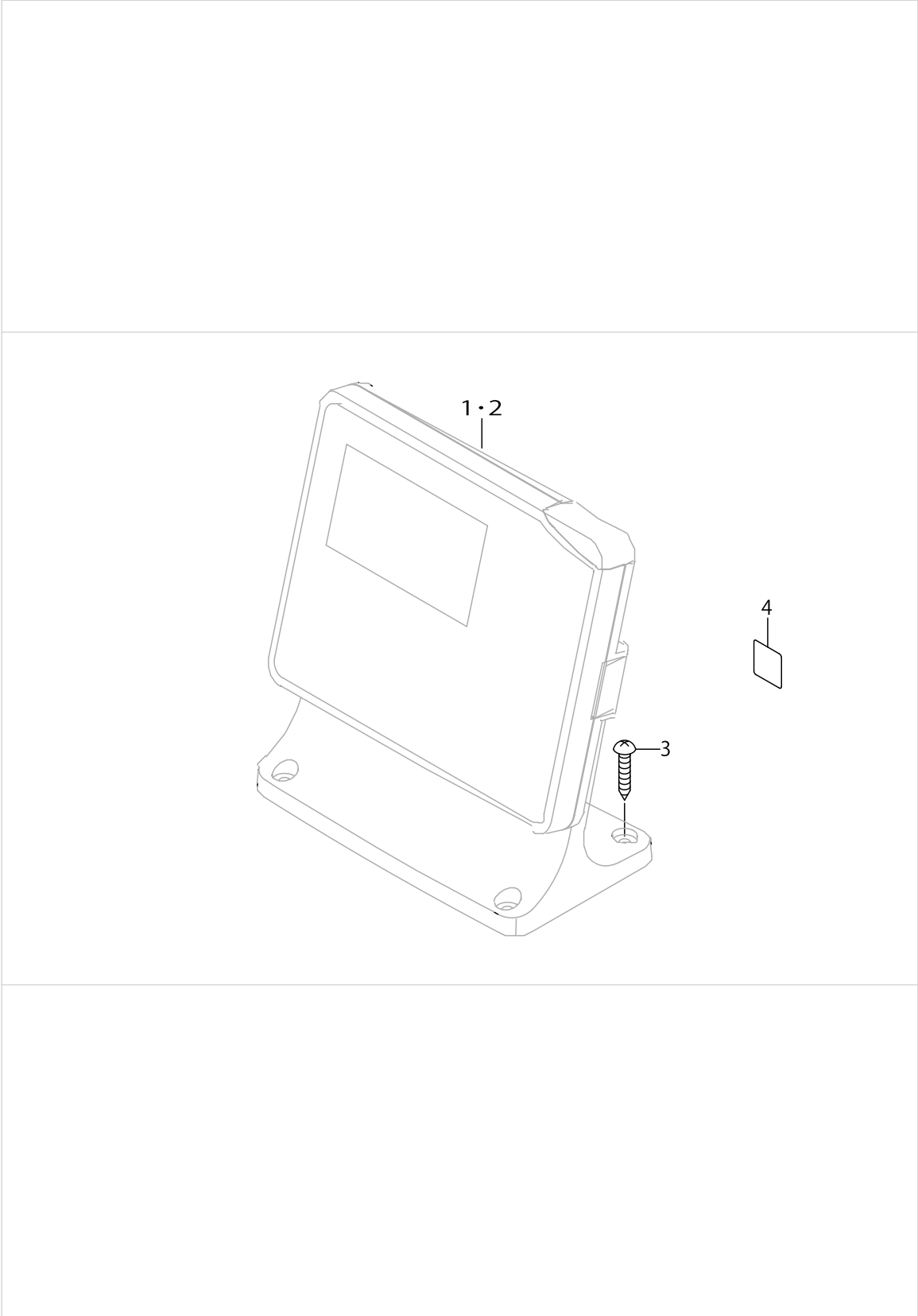


TABLE COMPONENTS

No.	Parts No.	Parts name	Remarks	Level	Cons	Qty
1	40153015	TABLE				1
2	ST9053511SR	TAPPING SCREW M5X35				4
3	D8204555D00	DRAWER STOPPER				1
4	14191951	T-STAND COMPL.				1
5	40094262	PEDAL SENSOR BASE ASSY				1
6	40094259	PEDAL SENSOR ASM.		*		1
7	40094260	SENSOR COIL HOLD ASSY		*		1
8	40099913	SENSOR_BRACKET		*		1
9	SL4041601SC	SCREW M4 L=16		*		3
10	KX000000210	SADDLE TYPE TIE MOUNT		*		1
11	KX000000230	RELEASIBLE CABLE TIE		*		1
12	SM4051001SC	SCREW M5 L=10		*		1
13	WS0820002KR	SPRING WASHER M8				2
14	NM6080002SC	NUT M8				2
15	MTSHJ100003	BOLT				2
16	WP0851846SC	WASHER 8.5X22.0X1.8				2
17	SL4051291SC	SCREW M5X0.8 L=12				2
18	40042134	CONNECING_ROD_ASSY				1

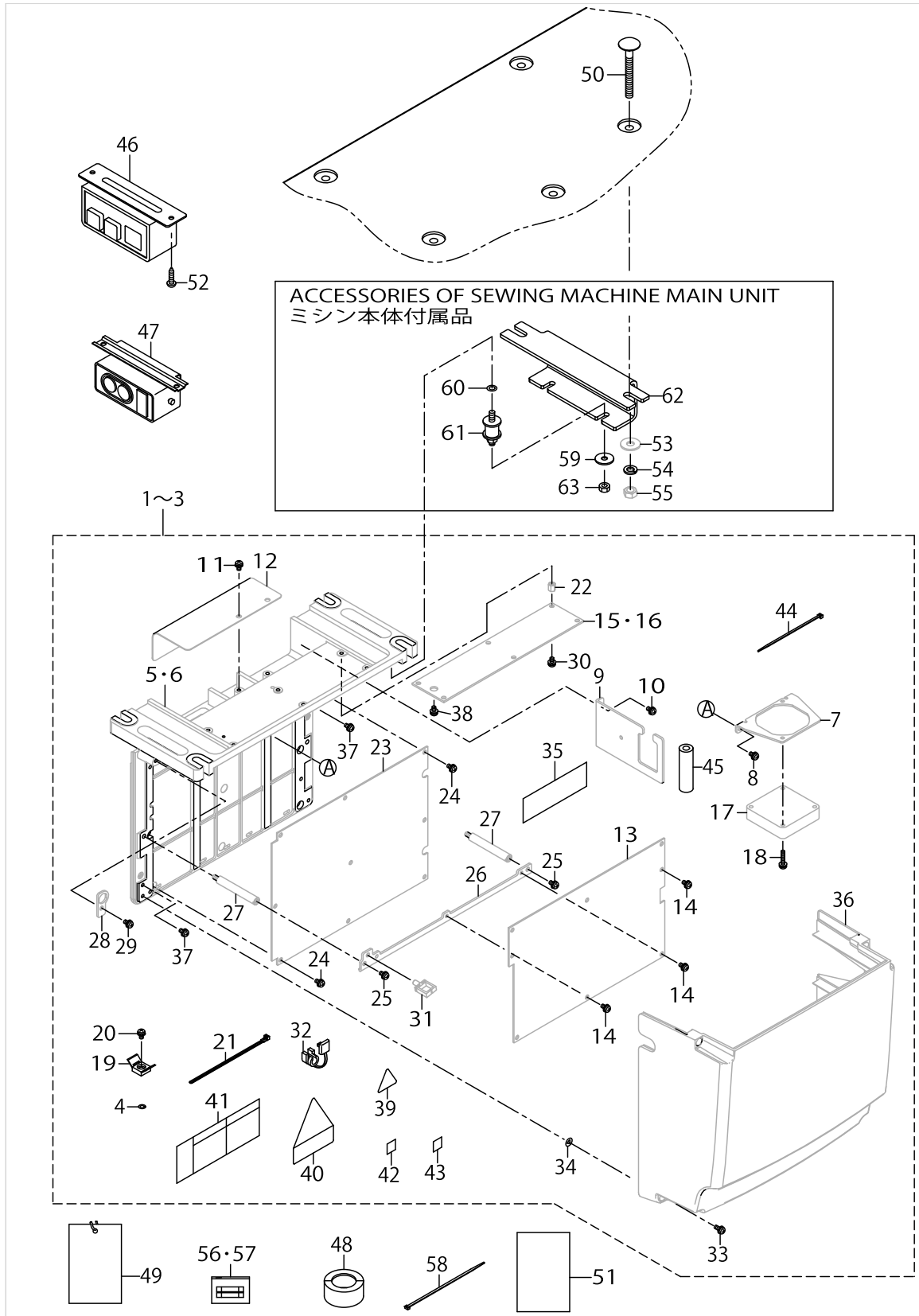
OPERATION BOX COMPONENTS (ACCESSORIES OF A CONTROL BOX)



OPERATION BOX COMPONENTS (ACCESSORIES OF A CONTROL BOX)

No.	Parts No.	Parts name	Remarks	Level	Cons	Qty
1	40189780	LBH OPERATION BOX ASSY	FOR 1-PHASE 220~240V, 3-PHASE 200~240V, 1-PHASE 220~240V (FOR CHINA)			1
2	40191872	LBH OPERATION BOX ASSY CE	FOR 1-PHASE CE 220~240V			1
3	SK3382001SE	SCREW D=3.8 L=20				4
4	CM600100101	WEEE MARK LABEL S	FOR 1-PHASE CE 220~240V			1

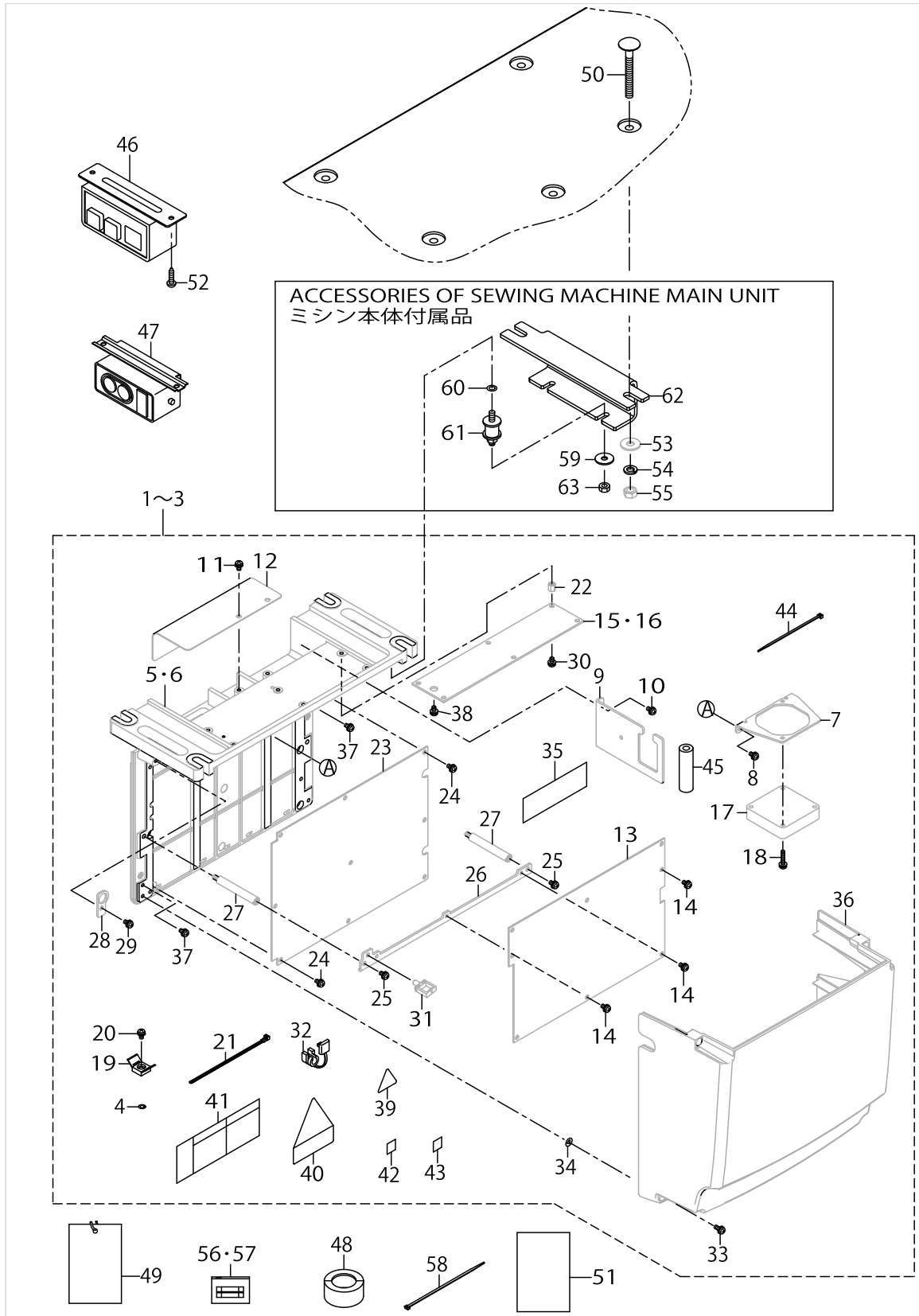
CONTROL BOX COMPONENTS



CONTROL BOX COMPONENTS

No.	Parts No.	Parts name	Remarks	Level	Cons	Qty
1	40189854	MC602N CTL BOX A ASM.	FOR 1-PHASE 220~240V			1
2	40189855	MC602N CTL BOX B ASM.	FOR 3-PHASE 200~240V			1
3	40189856	MC602N CTL BOX C ASM.	FOR 1-PHASE CE 220~240V			1
4	WP0430800SC	WASHER M4	FOR 3-PHASE 200~240V, 1-PHASE CE 220~240V	*		1
5	40143989	FRAME_B	FOR 3-PHASE 200~240V, 1-PHASE CE 220~240V	*		1
6	40143988	FRAME_A	FOR 1-PHASE 220~240V	*		1
7	40115874	FAN PLATE		*		1
8	SL4040881SC	SCREW M4 L=8		*		2
9	40115876	PLATE B		*		1
10	SL4040881SC	SCREW M4 L=8		*		2
11	SL4040881SC	SCREW M4 L=8		*		2
12	40115879	FAN COVER		*		1
13	40193750	MAIN PCB ASSY		*		1
14	SL4040881SC	SCREW M4 L=8		*		8
15	40105465	FLT-T PCB ASSY	FOR 3-PHASE 200~240V	*		1
16	40105475	FLT-CE PCB ASSY	FOR 1-PHASE CE 220~240V	*		1
17	40111214	FAN MOTOR ASSY		*		1
18	SL4042091SC	SCREW M4X0.7 L=20		*		2
19	KX000000260	SADDLE TYPE TIE MOUNT		*		1
20	SL4040881SC	SCREW M4 L=8		*		1
21	HX00292000A	CONNECTING PARTS		*		1
22	HX00339000M	SPACER	FOR 3-PHASE 200~240V, 1-PHASE CE 220~240V	*		6
23	40142267	SDC PCB ASSY		*		1
24	SL4041081SC	SCREW M4 L=10		*		4
25	SL4040881SC	SCREW M4 L=8		*		2
26	40115877	MAIN PLATE		*		1
27	40143990	STUD		*		2
28	40115878	PLATE C		*		1
29	SL4040881SC	SCREW M4 L=8		*		1
30	SL4040881SC	SCREW M4 L=8	FOR 3-PHASE 200~240V, 1-PHASE CE 220~240V	*		6
31	HX00222000D	WIRE SADDLE		*		1
32	KX000000320	BUSH		*		1
33	SL4041281SC	SCREW M4X0.7 L=12		*		4
34	M8002430000	STOPPER		*		4
35	40114398	MAIN COOL SHEET		*		2
36	40189853	COVER		*		1
37	SL4040881SC	SCREW M4 L=8		*		3
38	SL4030881SC	SCREW M3 L=8	FOR 3-PHASE 200~240V	*		1
39	CM300100001	LABEL	FOR 1-PHASE 220~240V, 1-PHASE CE 220~240V, 1-PHASE 220~240V (FOR CHINA)	*		1
40	CM300400602	VOLTAGE CAUTION LABEL L=25		*		1
41	CM300100402	VOLTAGE DANGER LABEL 3(SMALL)	FOR 3-PHASE 200~240V	*		1
42	CM600100101	WEEE MARK LABEL S	FOR 1-PHASE CE 220~240V	*		1
43	40150131	EAC_MARK_LABEL_S	FOR 1-PHASE CE 220~240V	*		1
44	EA9500B0100	CABLE BAND		*		1

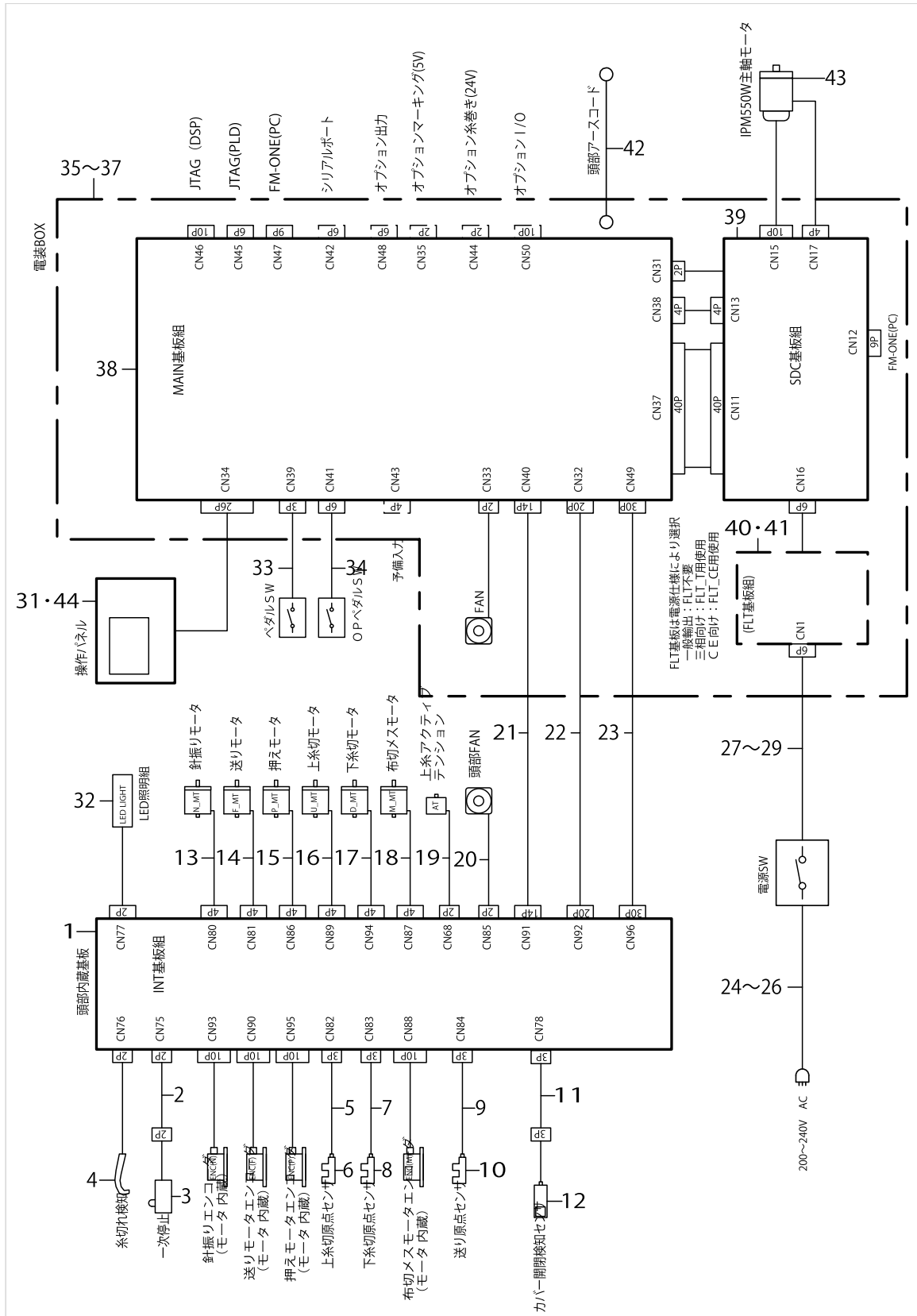
CONTROL BOX COMPONENTS



CONTROL BOX COMPONENTS

No.	Parts No.	Parts name	Remarks	Level	Cons	Qty
45	E8760452S00	TUBE	FOR 3-PHASE 200~240V, 1-PHASE CE 220~240V	*		0.055
46	40113427	POWER SWITCH	FOR 1-PHASE 220~240V			1
47	HA004250000	SWITCH	FOR 3-PHASE 200~240V			1
48	HN002460000	CORES	FOR1-PHASECE220~240V			1
49	M300451100A	VOLTAGE INDICATION CARD A				1
50	MTSHJ100003	BOLT				4
51	40144294	CORE SETUP MANUAL	FOR1-PHASECE220~240V			1
52	SK3512001SE	WOOD SCREW D=5.1 L=20	EXCETP CE			2
53	WP0852086SC	WASHER M8				4
54	WS0820002KR	SPRING WASHER M8				4
55	NM6080002SC	NUT M8				4
56	HF0013050P0	FUSE 5A			☆	1
57	HF003000200	FUSE 2A (220/240V)			☆	1
58	EA9500B0200	CABLE BAND 150				2
59	WP0651646SC	WASHER				4
60	WT0640001KN	TOOTH WASHER				1
61	40147891	RUBBER_CUSHION				4
62	40142969	RUBBER CUSHION BRKT				2
63	NM6060001SC	NUT M6X1 TYPE1				4

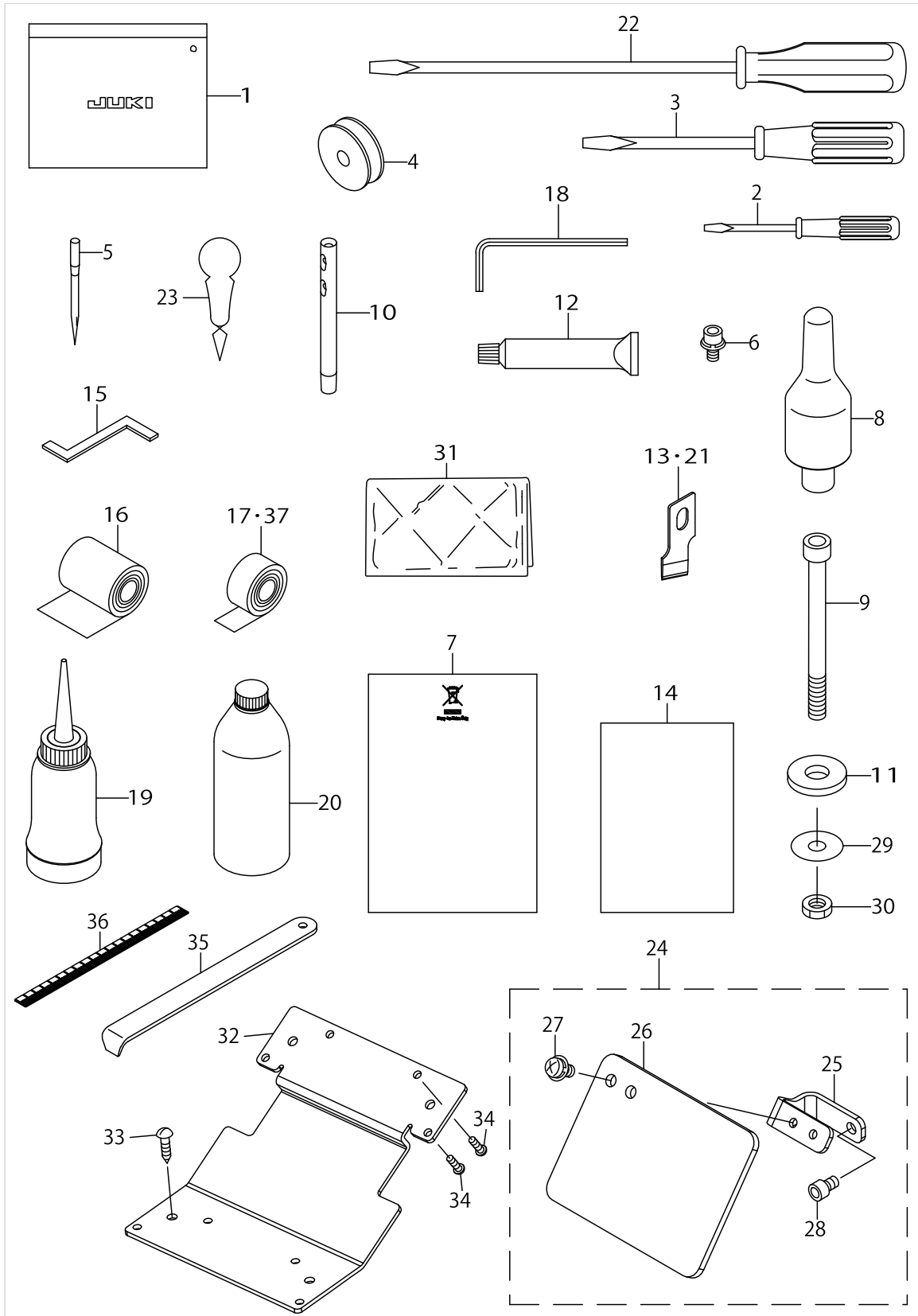
WIRING DIAGRAM



WIRING DIAGRAM

No.	Parts No.	Parts name	Remarks	Level	Cons	Qty
1	40138611	INT PCB ASSY				1
2	40005400	PAUSE SWITCH JOINT CORD				1
3	40029632	STOP SW ASM				1
4	40003499	THREAD BREAK DETECTOR A				1
5	40141480	UT TRIM SENSOR CORD ASSY				1
6	HD00057000A	PHOTO SENSOR				1
7	40141481	DT TRIM SENSOR CORD ASSY				1
8	HD00057000A	PHOTO SENSOR				1
9	40141482	FEED SENSOR CORD ASSY				1
10	HD00057000A	PHOTO SENSOR				1
11	40141484	COVER SENSOR RELAY CORD ASSY				1
12	40141483	COVER SENSOR ASSY				1
13	40139180	NEEDLE SWING MOTOR ASSY				1
14	40139181	FEED MOTOR ASSY				1
15	40139182	CLAMP MOTOR ASSY				1
16	40140040	UT TRIM MOTOR ASSY				1
17	40140041	DT TRIM MOTOR ASSY				1
18	40139183	CLOTH CUT MOTOR ASSY				1
19	40006261	ASSY_AT_SOLENOID				1
20	40111214	FAN MOTOR ASSY				1
21	40153023	INT CORD F ASSY				1
22	40153022	INT CORE E ASSY				1
23	40153021	INT CORD D ASSY				1
24	40023371	SINGLE PHASE POWER CORD ASSY	FOR 1-PHASE 220V~240V			1
25	M90175800A0	POWER CABLE ASM.	FOR 3-PHASE 200V~240V			1
26	40005390	JE POWER CABLE ASM.	FOR CE 220V~240V			1
27	40141487	AC POWER CORD A ASM.	FOR 1-PHASE 220V~240V			1
28	40141488	AC POWER CORD B ASM.	FOR 3-PHASE 200V~240V			1
29	40141489	AC POWER CORD C ASM.	FOR CE 220V~240V			1
30	40113427	POWER SWITCH				1
31	40189780	LBH OPERATION BOX ASSY	FOR 1-PHASE 220~240V, 3-PHASE 200~240V, 1-PHASE 220~240V (FOR CHINA)			1
32	40141706	ASSY_LED_DEVICE				1
33	40094262	PEDAL SENSOR BASE ASSY				1
34	40003491	ASSY_4_POSITION_PEDAL				1
35	40189854	MC602N CTL BOX A ASM.	FOR 1-PHASE 220V~240V			1
36	40189855	MC60N2 CTL BOX B ASM.	FOR 3-PHASE 200V~240V			1
37	40189856	MC602N CTL BOX C ASM.	FOR CE 220V~240V			1
38	40193750	MAIN PCB ASSY				1
39	40142267	SDC PCB ASSY				1
40	40105465	FLT-T PCB ASSY	FOR 3-PHASE 200V~240V			1
41	40105475	FLT-CE PCB ASSY	FOR CE 220V~240V			1
42	14115554	HEAD GROUND CABLE A ASM.				1
43	40138137	IPM550W MOTOR				1
44	40191872	LBH OPERATION PANEL ASSY CE	FOR 1-PHASE CE 220~240V			1

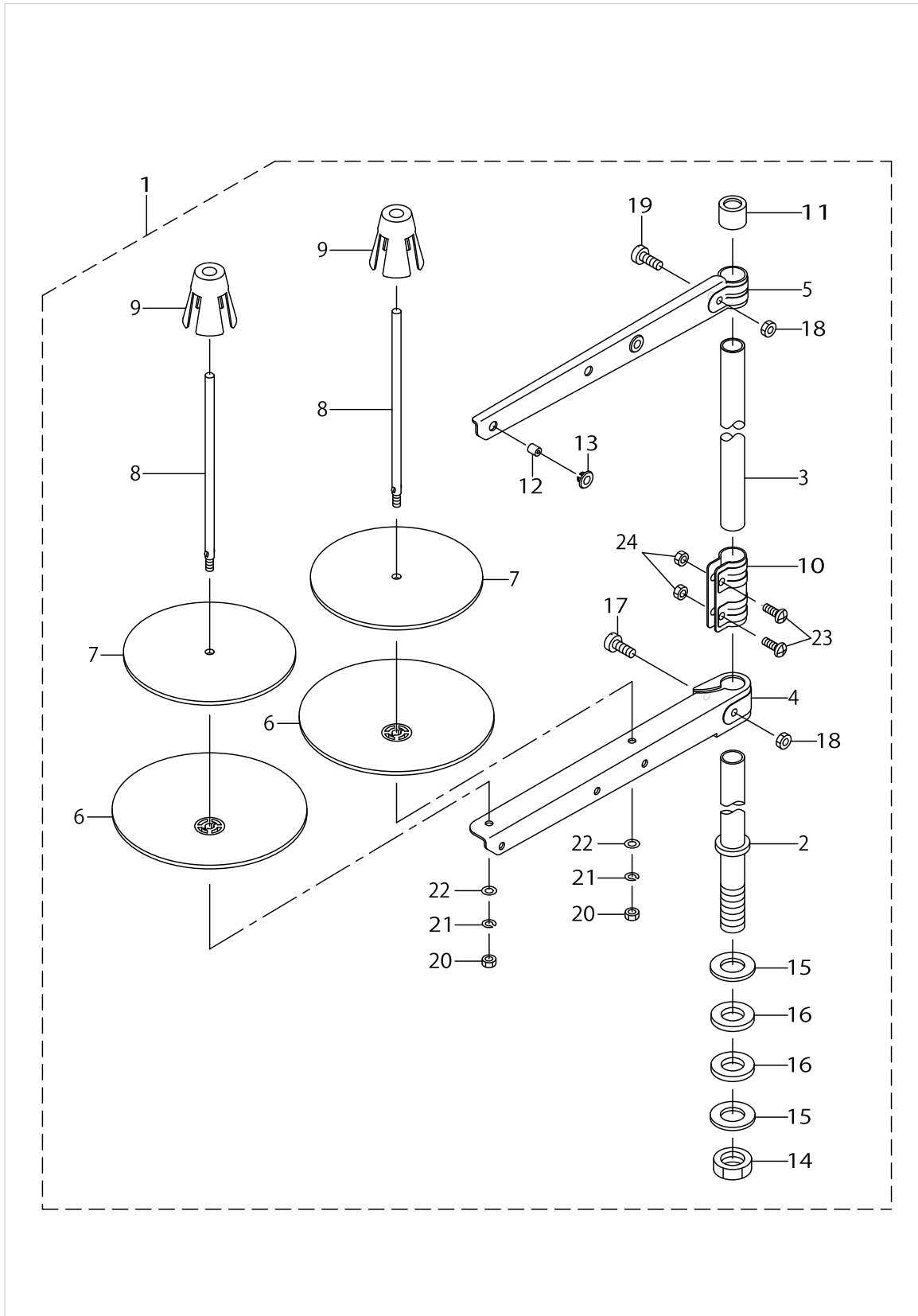
ACCESSORIE PARTS COMPONENTS



ACCESSORIE PARTS COMPONENTS

No.	Parts No.	Parts name	Remarks	Level	Cons	Qty
1	22932800	ACCESSORIE BAG				1
2	22933204	SCREW DRIVER SMALL				1
3	22933105	SCREW DRIVER MIDDLE				1
4	40009148	BOBBIN			☆	1
5	MDP5J0B1102	NEEDLE DPX5 #11J-2			☆	1
6	SL6040892TN	BOLT				1
7	CM600100201	WEEE INFORMATION SHEET				1
8	14101208	HEAD SUPPORT BAR				1
9	SM6067052TP	HEXAGON BOLT				4
10	22502504	THREAD GUIDE BAR				1
11	D6056555B00	RUBBER CUSHION (B)				4
12	40006323	JUKI GREASE A TUBE			☆	1
13	B2702047K00A	KNIFE 3/8			☆	1
14	29180403	EC PRODUCTION DECLARATION				1
15	40156793	TIMING GAUGE				1
16	40044824	SLIDE_PROMOTING_TAPE				1
17	40066088	TAPE				0.5
18	J106600000D	HEXAGONAL WRENCH KEY				1
19	B91210120A0	OILER ASM.				1
20	MDFRX1200C0	NEW DEFRIX OIL NO.1(200ML)			☆	1
21	B2702047M00A	KNIFE 5/8			☆	1
22	22933006	SCREW DRIVER LARGE				1
23	B9107761000	THREAD PASSING INSTRUMENT			☆	1
24	40142172	ASSY_SAFETY_PLATE_B				1
25	40141799	SAFETY_PLATE_BASE		*		1
26	40141798	SAFETY_PLATE		*		1
27	SL4040891SC	SCREW M4 L=8		*		2
28	SM6040602TP	SCREW M4 L=6		*		1
29	WP0612056SD	WASHER 6.1X18.5X2				4
30	NM6060001SD	NUT M6				8
31	26234005	VINYL COVER				1
32	40154496	PANEL_PLATE				1
33	SK3512001SE	WOOD SCREW D=5.1 L=20				2
34	ST4040851SN	TAPPING SCREW M4X8				4
35	B9101490000	DRIVER				1
36	40164769	SEAL				1
37	40164516	SUB_TABLE_SUPPORT_SHEET				1

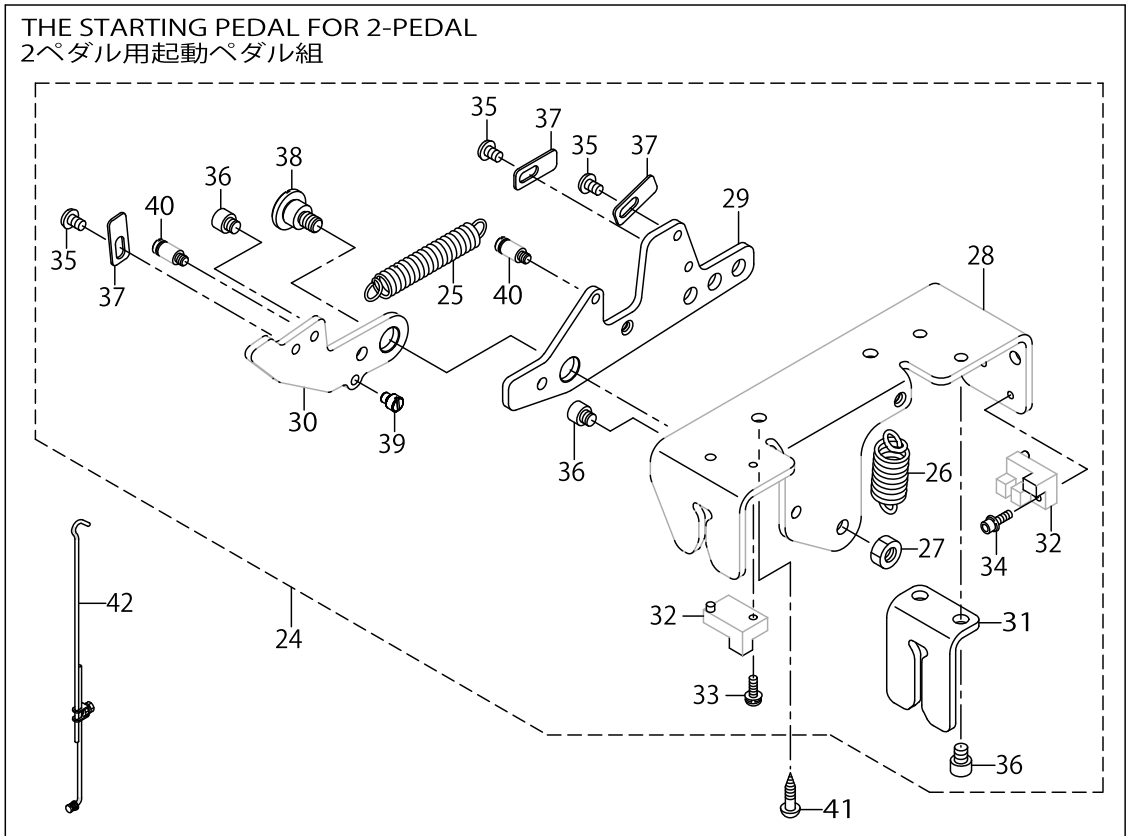
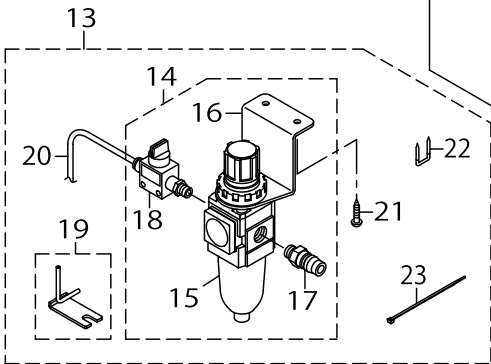
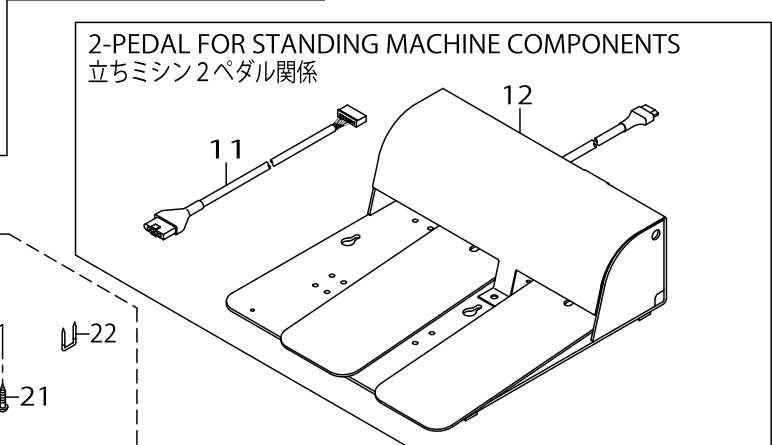
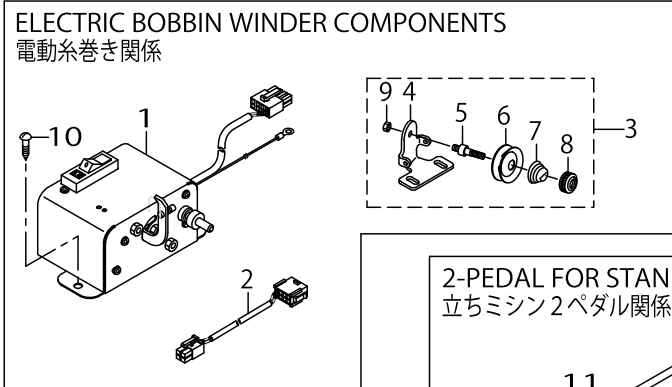
THREAD STAND COMPONENTS



THREAD STAND COMPONENTS

No.	Parts No.	Parts name	Remarks	Level	Cons	Qty
1	40096354	THREAD STAND ASM.				1
2	40085784	SPOOL REST ROD LOWER		*		1
3	40085785	SPOOL REST ROD UPPER		*		1
4	40085786	SPOOL REST ARM LOWER		*		1
5	40085787	SPOOL REST ARM UPPER		*		1
6	40085788	SPOOL REST		*		2
7	40085789	SPOOL REST CUSHION		*	☆	2
8	40085790	SPOOL PIN		*		2
9	40085791	SPOOL RETAINER		*		2
10	40085792	SPOOL REST ROD JOINT		*		1
11	40085793	SPOOL REST ROD RUBBER CAP		*		1
12	40085794	THREAD GUIDE		*		2
13	40085795	THREAD GUIDE BUSHING		*		2
14	40096325	SPOOL REST ROD NUT		*		1
15	WP1612616SE	WASHER 16X30X2.6		*		2
16	40085796	SPOOL REST ROD RUBBER CUSHION		*		2
17	40096326	SPOOL REST ARM LOWER SCREW		*		1
18	NM6050001SE	NUT M5		*		2
19	40096327	SPOOL REST ARM UPPER SCREW		*		1
20	NM6050001SE	NUT M5		*		2
21	WS0510002KN	SPRING WASHER M5		*		2
22	WP0531001SC	WASHER M5		*		2
23	SM4051405SE	SCREW M5 L=14		*		2
24	NM6050001SE	NUT M5		*		2

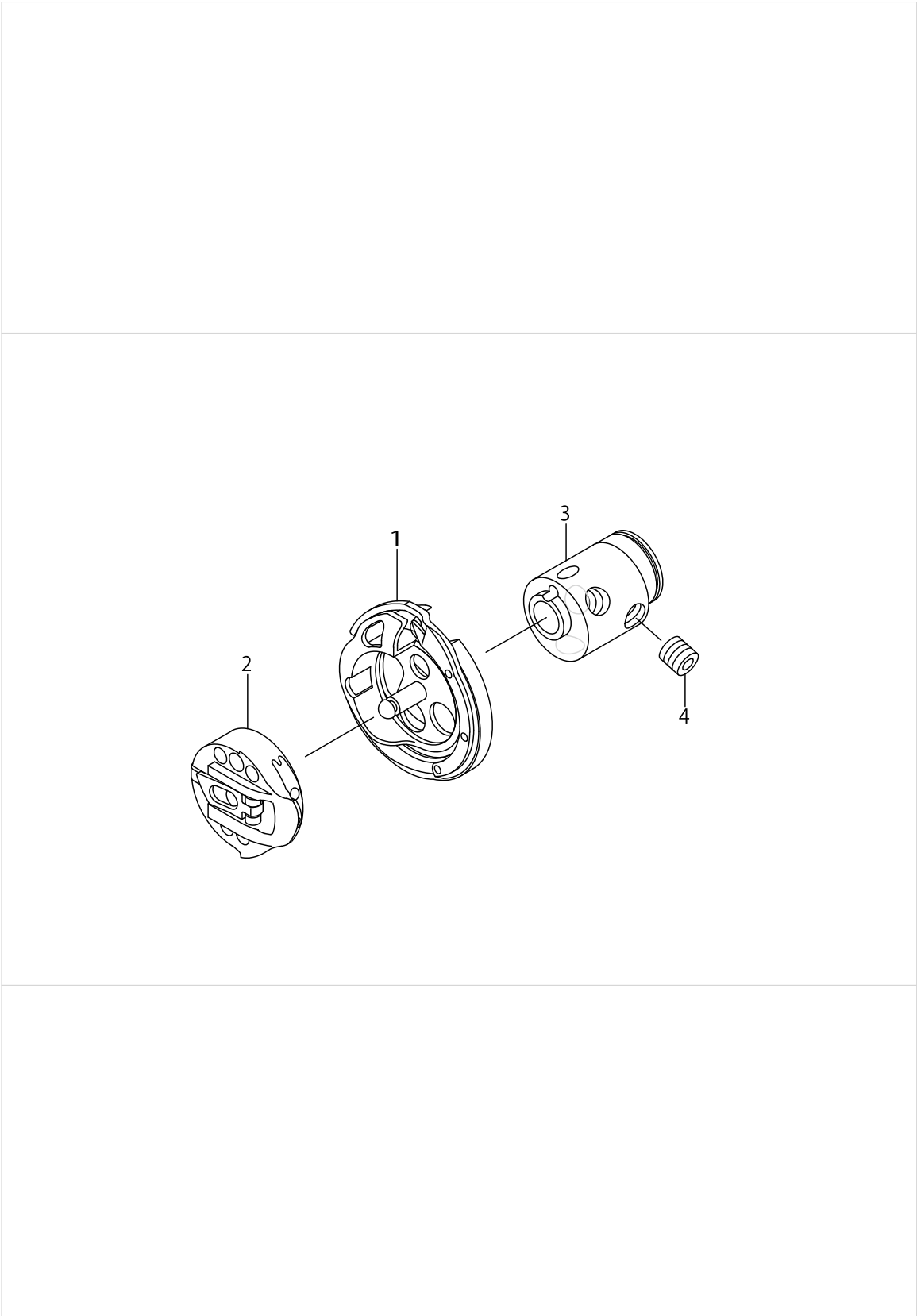
SPECIAL SPECIFICATIONS COMPONENTS (1)



SPECIAL SPECIFICATIONS COMPONENTS (1)

No.	Parts No.	Parts name	Remarks	Level	Cons	Qty
1	G50011980A0A	BOBBIN WINDER ASM.				1
2	40005405	WINDER CORD ASSY				1
3	B32217710A0	BOBBIN WINDER TENSION BRACKET ASM.				1
4	B3221771000	BOBBIN WINDER TENSION BRACKET		*		1
5	B3219232000	BOBBIN WINDER TENSION POST		*		1
6	B3214047000	BOBBIN WINDER TENSION DISC		*		2
7	B3218232000	BOBBIN WINDER TENSION SPRING		*		1
8	B3216047000	BOBBIN WINDER TENSION NUT		*		1
9	NS6110310SP	NUT 11/64-40		*		1
10	SK3452000SC	WOOD SCREW D=4.5 L=20				4
11	40003493	PK PEDAL JOINT CORD ASSY				1
12	GPK510010B0	PEDAL SWITCH ASM.				1
13	40097040	HOOK COOLING UNIT B				1
14	40023432	FILTER REGULATOR ASM.		*		1
15	PF0551060A0	FILTER REGULATOR		*		1
16	PF902005000	REGULATOR BRACKET		*		1
17	PJ025100003	PLUG		*		1
18	PV015122000	FINGER VALVE		*		1
19	40094012	PIPE BRACKET ASM.		*		1
20	BT0400251EB	URETHANE HOSE BLACK		*		1.5
21	SK3412001SE	WOOD SCREW D=4.1 L=20		*		2
22	MAO11532000	CORD STAPLE		*		2
23	EA9500B0100	CABLE BAND		*		2
24	40003491	ASSY_4_POSITION_PEDAL				1
25	13731906	SPRING		*		1
26	B2583210D00	SPRING		*		1
27	NM6060001CP	NUT M6		*		1
28	40004360	PEDAL_FRAME		*		1
29	40004361	PEDAL_FRAME_A		*		1
30	40004362	PEDAL_FRAME_B		*		1
31	40004363	PEDAL_FRAME_GUIDE		*		1
32	HD00057000A	PHOTO SENSOR		*		2
33	SL4031091SC	SCREW M3 L=10		*		1
34	SL6031042TN	SCREW		*		1
35	SM5040655SN	SCREW		*		3
36	SM6050652TP	HEXAGON SOCKET HEAD SCREW M5X6		*		4
37	40004364	SENSOR_DETECTING_PLATE		*		3
38	SD1000646TP	SHOULDER SCREW D=10 H=6.4		*		1
39	40004299	STOPPER_PIN		*		1
40	40004327	SUSPENSION_SCREW		*		2
41	SK3482001SE	WOOD SCREW D=4.8 L=20				2
42	26104851	JOINT ASM.				1


SPECIAL SPECIFICATIONS COMPONENTS (2)



SPECIAL SPECIFICATIONS COMPONENTS (2)

No.	Parts No.	Parts name	Remarks	Level	Cons	Qty
1	40006345	RP_HOOK_ASM.			☆	1
2	40006349	RP_BOBBIN_CASE			☆	1
3	13729603	HOOK SLEEVE				1
4	SS8660612TP	SCREW 1/4-40 L=6				4

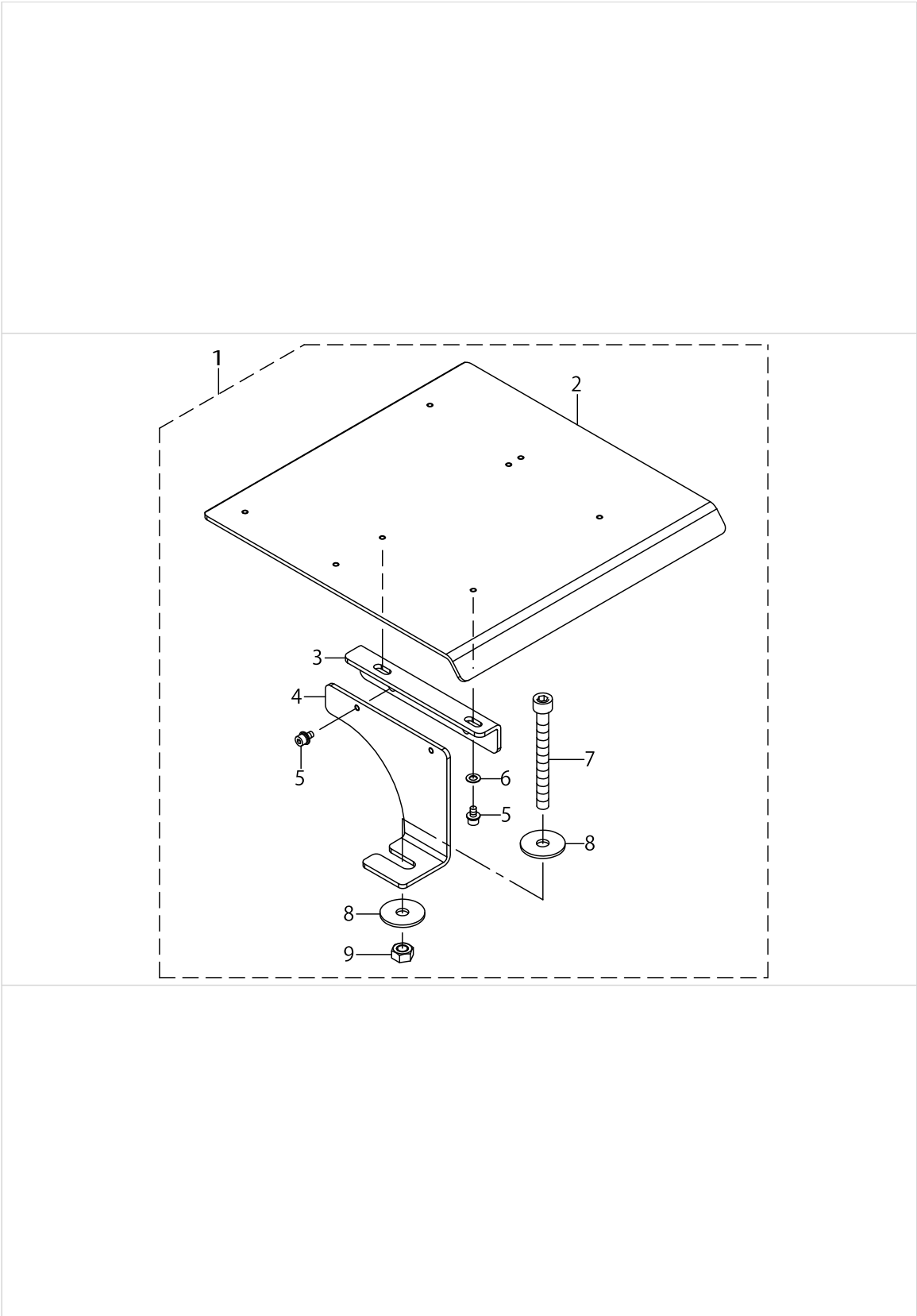
EXCHANGING PARTS

		Cloth Cutting Knife 布切りメス	
			
		Standard 標準	
inch	mm	Ref.No	
1/4	6.4	1	
3/8	9.5	2	
7/16	11.1	3	
1/2	12.7	4	
9/16	14.3	5	
5/8	15.9	6	
11/16	17.5	7	
3/4	19.1	8	
7/8	22.2	9	
1	25.4	10	

EXCHANGING PARTS

No.	Parts No.	Parts name	Remarks	Level	Cons	Qty
1	B2702047F00	KNIFE 1/4				1
2	B2702047K00A	KNIFE 3/8				1
3	B2702047I00	KNIFE (7/16)				1
4	B2702047L00A	KNIFE 1/2				1
5	B2702047V00	KNIFE 9/16				1
6	B2702047M00A	KNIFE 5/8				1
7	B2702047A00	KNIFE 11/16				1
8	B2702047N00	KNIFE 3/4				1
9	B2702047P00	KNIFE 7/8				1
10	B2702047Q00A	KNIFE 1				1

OPTIONAL PARTS



OPTIONAL PARTS

No.	Parts No.	Parts name	Remarks	Level	Cons	Qty
1	40164861	SUB_TABLE_KIT				1
2	40164817	SUB_TABLE_C		*		1
3	40152579	SUB_TABLE_A_SUPPORT_PLATE_B		*		2
4	40152574	SUB_TABLE_A_MOUNTING_BASE_B		*		2
5	SL6040892TN	BOLT		*		8
6	WP0450801SC	WASHER 4.5X10X0.8		*		2
7	SM6087002TN	SCREW M8 L=70		*		2
8	WP0852086SC	WASHER M8		*		4
9	NM6080001SC	NUT M8X1.25		*		2

HOW TO MAKE USE OF THIS PARTS LIST

- 1.As to "#01" and "#02" refer to the "Note" given at the bottom of the respective pages.
- 2.Codes on the "Qty" column
 - Each numeral indicates the number of parts required.
 - "0.1" and "2.5" indicate the length (in meters) of the respective parts.
- 3.Parentheses mean that the corresponding part is a subpart that constructs an assembly part.
- 4.Dotted lines on the Figures indicate assembly parts.
- 5.As to the parts with marks of "☆"(Consumable parts)and "◎"(optional parts)on the respective parts, it is recommended to prepare spares.

1. リストページの#01、#02の印は、ページ下の"注記"の説明を参照下さい。
2. 数量欄の数字は、個数を表し、0.1、2.5等の数値は、長さ（単位メートル）を表します。
3. 数量欄の（ ）は、組部品を構成している子部品であることを意味します。
4. イラストページの-----枠は、組構成であることを意味します。
5. リストページの"☆"（消耗部品）、"◎"（オプション部品）の印が付いた部品は、予備を準備しておくことをお勧めします。

NUMERICAL INDEX OF PARTS

PART NO	PAGE	REF NO.	PART NO	PAGE	REF NO.	PART NO	PAGE	REF NO.
10006104	6	18	26104851	50	42	40004238	26	27
10111201	20	84	26230409	2	13	40004240	28	50
101112A9	16	35	26230409	8	58	40004243	28	63
101112A9	20	89	26234005	46	31	40004244	26	41
11072402	8	62	26260208	6	29	40004245	26	42
11093606	8	63	26260307	6	30	40004246	28	64
11272507	26	24	26260406	6	31	40004247	26	40
13127402	18	43	26260505	6	32	40004248	26	38
13700406	4	51	26260604	6	33	40004249	28	62
13700505	4	52	26260802	6	35	40004250	28	65
13700604	4	50	26261206	6	39	40004252	6	22
13700703	4	62	26261305	6	40	40004252	26	39
13703806	2	24	26261503	6	41	40004254	26	29
13703905	2	25	26261602	6	42	40004254	30	22
13705405	4	69	26261701	6	43	40004255	28	70
13706403	24	14	29180403	46	14	40004264	26	33
13710405	16	20	32055402	6	21	40004265	26	34
13727102	32	54	40003491	44	34	40004267	18	37
13729066	16	13	40003491	50	24	40004275	20	79
13729603	52	3	40003493	50	11	40004279	20	51
13729660	16	10	40003499	6	26	40004285	20	48
13729769	16	29	40003499	44	4	40004289	18	36
13731906	50	25	40004171	12	19	40004291	20	78
13737408	30	9	40004180	16	18	40004293	26	4
13922208	2	47	40004186	16	8	40004294	28	71
13943303	4	56	40004187	16	9	40004296	26	36
14101208	46	8	40004188	16	5	40004297	26	66
14115554	44	42	40004197	18	7	40004297	28	66
14191951	36	4	40004198	18	8	40004298	26	67
22502504	2	42	40004200	18	9	40004298	28	67
22502504	46	10	40004206	12	39	40004299	30	69
22528764	2	41	40004209	24	27	40004299	32	69
22529473	8	60	40004212	24	30	40004299	50	39
22529481	8	59	40004213	24	31	40004301	30	46
22891204	18	3	40004214	24	34	40004306	30	39
22918304	12	43	40004215	24	33	40004308	30	32
22932800	46	1	40004216	24	25	40004309	30	29
22933006	46	22	40004217	24	26	40004311	30	36
22933105	46	3	40004218	24	13	40004321	30	31
22933204	46	2	40004222	24	29	40004324	30	47
23530405	24	4	40004224	24	21	40004325	32	55
23536204	16	6	40004232	28	52	40004326	32	77
23605207	12	51	40004234	26	37	40004327	30	68
23605207	14	51	40004235	26	26	40004327	32	68
23630007	16	26	40004236	26	43	40004327	50	40

NUMERICAL INDEX OF PARTS

PART NO	PAGE	REF NO.	PART NO	PAGE	REF NO.	PART NO	PAGE	REF NO.
40004328	32	73	40010435	18	16	40085788	48	6
40004329	30	4	40010489	34	16	40085789	48	7
40004336	30	3	40010510	6	19	40085790	48	8
40004343	30	7	40010511	6	6	40085791	48	9
40004344	30	8	40010512	6	20	40085792	48	10
40004345	32	52	40010514	6	5	40085793	48	11
40004346	32	64	40010522	6	8	40085794	48	12
40004347	32	53	40010534	12	24	40085795	48	13
40004348	32	65	40010535	12	26	40085796	48	16
40004349	32	71	40011144	6	34	40088990	24	1
40004360	50	28	40011145	6	36	40094012	50	19
40004361	50	29	40011146	6	37	40094259	36	6
40004362	50	30	40011205	32	50	40094260	36	7
40004363	50	31	40011319	32	76	40094262	36	5
40004364	50	37	40011327	32	63	40094262	44	33
40004373	24	23	40011355	16	16	40096325	48	14
40004374	24	24	40011517	12	1	40096326	48	17
40004378	24	2	40015674	28	54	40096327	48	19
40004379	24	3	40015702	28	51	40096354	48	1
40004394	34	29	40021933	6	38	40097040	50	13
40004398	34	27	40022322	30	30	40099913	36	8
40004400	26	17	40022323	30	28	40101638	26	30
40005390	44	24~26	40022363	12	37	40101638	30	23
40005400	44	2	40023371	44	24~26	40101641	26	28
40005405	50	2	40023432	50	14	40101642	26	31
40006261	6	1	40028634	28	48	40101649	30	6
40006261	44	19	40028636	28	61	40105465	40	15·16
40006263	6	2	40029613	30	33	40105465	44	40·41
40006264	6	3	40029632	44	3	40105475	40	15·16
40006265	6	23	40032269	12	29	40105475	44	40·41
40006307	14	49	40037008	8	52	40108754	18	6
40006314	4	49	40039896	8	76	40111214	4	73
40006317	16	21	40040276	34	28	40111214	40	17
40006320	16	25	40042089	34	18	40111214	44	20
40006323	46	12	40042134	36	18	40113427	42	46
40006345	52	1	40044824	46	16	40113427	44	30
40006349	52	2	40051473	12	15	40114398	40	35
40008423	12	35	40051474	12	16	40115874	40	7
40008426	12	38	40066088	46	17·37	40115876	40	9
40008671	24	5	40075297	18	4	40115877	40	26
40008977	4	57	40083369	12	36	40115878	40	28
40009037	4	64	40085784	48	2	40115879	40	12
40009148	46	4	40085785	48	3	40138137	12	22
40010288	34	14	40085786	48	4	40138137	44	43
40010434	18	15	40085787	48	5	40138611	4	70

NUMERICAL INDEX OF PARTS

PART NO	PAGE	REF NO.	PART NO	PAGE	REF NO.	PART NO	PAGE	REF NO.
40138611	44	1	40141757	18	44	40151935	18	11
40139180	24	8	40141758	24	6	40151936	16	32
40139180	44	13	40141759	24	7	40151937	20	80
40139181	18	1	40141760	24	9	40151938	20	58
40139181	44	14	40141774	26	35	40151939	20	81
40139182	18	34	40141778	30	5	40152564	18	5
40139182	44	15	40141779	30	18	40152565	20	67
40139183	34	2	40141780	34	5	40152566	8	66
40139183	44	18	40141781	34	4	40152567	20	82
40140040	26	46	40141782	34	8	40152568	20	60
40140040	44	16	40141783	34	13	40152569	22	98
40140041	30	12	40141785	34	19	40152570	8	92
40140041	44	17	40141786	34	17	40152571	8	93
40141480	44	5	40141787	34	25	40152572	8	81
40141481	44	7	40141788	18	30	40152573	8	83
40141482	44	9	40141794	20	49	40152574	8	84
40141483	4	79	40141795	2	33	40152574	56	4
40141483	44	12	40141798	46	26	40152576	20	90
40141484	44	11	40141799	46	25	40152577	20	94
40141487	44	27~29	40141801	18	31	40152578	8	72
40141488	44	27~29	40141802	32	70	40152579	8	82
40141489	44	27~29	40142152	12	2	40152579	56	3
40141706	2	45	40142154	18	10	40152581	8	94
40141706	44	32	40142161	18	29	40152582	12	5
40141710	2	26	40142163	34	11	40152584	8	77
40141711	2	27	40142164	34	12	40152585	20	50
40141713	4	66	40142166	28	49	40152587	20	71
40141716	12	20	40142170	30	2	40152588	8	75
40141719	12	28	40142172	46	24	40152589	8	74
40141725	12	41	40142267	40	23	40153004	16	31
40141726	12	42	40142267	44	39	40153005	16	17
40141727	12	45	40142753	16	22	40153006	20	74
40141730	12	46	40142754	16	23	40153007	20	70
40141739	16	14	40142755	18	33	40153008	16	11
40141740	16	19	40142878	12	47	40153009	16	12
40141742	18	27	40142880	12	44	40153010	12	9
40141744	22	101	40142969	42	62	40153012	22	97
40141745	20	53	40143988	40	5·6	40153013	22	95
40141746	20	57	40143989	40	5·6	40153015	36	1
40141747	20	52	40143990	40	27	40153016	12	6
40141748	20	68	40144294	42	51	40153017	12	10
40141753	20	54	40145327	4	78	40153020	12	33
40141754	18	46	40145328	2	20	40153021	8	68
40141755	18	45	40147891	42	61	40153021	44	23
40141756	20	55	40150131	40	43	40153022	8	69

NUMERICAL INDEX OF PARTS

PART NO	PAGE	REF NO.	PART NO	PAGE	REF NO.	PART NO	PAGE	REF NO.
40153022	44	22	40189856	44	35~37	CM301300001	4	71
40153023	8	70	40191872	38	1·2	CM600100101	38	4
40153023	44	21	40191872	44	31·44	CM600100101	40	42
40153024	20	91	40193750	40	13	CM600100201	46	7
40153026	8	71	40193750	44	38	CQ202000000	16	27
40153617	16	24	B1414232000	24	28	CQ252000000	14	50
40153618	8	78	B1509761000	20	72	CS0800881TP	26	25
40154101	12	27	B151077100B	20	73	CS1000881TP	12	31
40154136	22	103	B1623180000	30	34	CS1501181TP	24	17
40154395	20	59	B1811771000	16	28	D3162555B00	8	54
40154496	46	32	B2583210D00	50	26	D6056555B00	4	61
40156274	10	100	B2702047A00	54	7	D6056555B00	46	11
40156791	18	18	B2702047F00	54	1	D8204555D00	36	3
40156792	32	49	B2702047I00	54	3	E2002855000	4	60
40156793	46	15	B2702047K00A	46	13·21	E8760452S00	42	45
40164516	46	17·37	B2702047K00A	54	2	EA9500B0100	8	56
40164518	20	76	B2702047L00A	34	22	EA9500B0100	26	3
40164769	46	36	B2702047L00A	54	4	EA9500B0100	40	44
40164817	56	2	B2702047M00A	46	13·21	EA9500B0100	50	23
40164861	56	1	B2702047M00A	54	6	EA9500B0200	42	58
40165707	34	30	B2702047N00	54	8	G50011980A0A	50	1
40172374	4	84	B2702047P00	54	9	GAK33032000	8	91
40172375	4	85	B2702047Q00A	54	10	GPK510010B0	50	12
40189600	6	28	B2702047V00	54	5	HA004250000	42	47
40189612	2	1	B2702210000	6	24	HD00057000A	18	2
40189613	2	5	B2703210000	6	25	HD00057000A	26	47
40189614	2	15	B3013141H0A	30	35	HD00057000A	30	19
40189615	2	11	B3214047000	8	64	HD00057000A	44	10
40189616	2	7	B3214047000	50	6	HD00057000A	50	32
40189617	2	9	B3216047000	50	8	HF0013050P0	42	56·57
40189618	2	44	B3218232000	50	7	HF003000200	42	56·57
40189628	6	27	B3219232000	50	5	HN002460000	42	48
40189631	2	39	B3221771000	50	4	HX001500000	4	81
40189633	2	3	B32217710A0	50	3	HX00150000A	30	1
40189634	2	43	B9101490000	46	35	HX00151000A	8	57
40189635	2	17	B9107761000	46	23	HX00222000D	40	31
40189636	2	18	B91210120A0	46	19	HX00292000A	40	21
40189780	38	1·2	BT0400251EB	50	20	HX00339000M	40	22
40189780	44	31·44	CM300100001	40	39	J106600000D	46	18
40189853	40	36	CM300100402	40	41	KX000000210	36	10
40189854	40	1~3	CM300200001	4	72	KX000000230	36	11
40189854	44	35~37	CM300200001	10	99	KX000000260	40	19
40189855	40	1~3	CM300200001	22	102	KX000000320	40	32
40189855	44	35~37	CM300200003	4	68	KX000000380	4	54
40189856	40	1~3	CM300400602	40	40	M300451100A	42	49

NUMERICAL INDEX OF PARTS

PART NO	PAGE	REF NO.	PART NO	PAGE	REF NO.	PART NO	PAGE	REF NO.
M8002430000	40	34	RE0500000K0	18	42	SL4041601SC	36	9
M90175800A0	44	24~26	SB104000800	34	15	SL4042091SC	40	18
M90195800A0	6	7	SB110000100	12	7	SL4042591SC	4	75
MAO11532000	50	22	SB110000600	16	2	SL4051291SC	36	17
MAZ16013000	28	69	SB112000300	34	7	SL6031042TN	50	34
MDFRX1200C0	46	20	SB112001600	16	1	SL6040892TN	2	63
MDP5J0B1100	24	16	SB115000200	16	3	SL6040892TN	4	63
MDP5J0B1102	46	5	SB115000600	16	4	SL6040892TN	6	85
MTSHJ100003	36	15	SB120000800	12	34	SL6040892TN	8	85
MTSHJ100003	42	50	SB120002700	12	14	SL6040892TN	22	99
NM6030001SD	2	22	SB307000200	20	56	SL6040892TN	32	72
NM6040000SN	26	32	SB408000100	18	47	SL6040892TN	46	6
NM6040001SC	2	74	SB710000500	18	13	SL6040892TN	56	5
NM6040001SC	4	74	SB710000600	18	12	SL6041092TN	32	74
NM6040001SD	30	66	SD0250101SP	30	42	SL6041492TN	34	3
NM6040001SD	32	66	SD0500166TP	30	43	SL6061492TN	34	6
NM6050001SE	48	24	SD0500167TP	30	44	SL6061692TN	8	87
NM6050001SP	24	22	SD0600208TP	22	96	SM0040801SC	2	19
NM6050001SP	26	57	SD0600266TP	26	8	SM0050801SC	8	53
NM6050001SP	28	57	SD0600326TP	26	21	SM0860400SN	6	9
NM6050001SP	30	11	SD0790203SP	20	77	SM1030400SP	32	48
NM6060001CP	50	27	SD0800296TP	30	62	SM1050801SC	8	73
NM6060001SC	42	63	SD0800296TP	32	62	SM4030455SN	32	56
NM6060001SD	4	53	SD0800326TP	18	35	SM4040655SP	2	28
NM6060001SD	46	30	SD0800406TP	26	22	SM4041050TP	32	58
NM6080001SC	8	90	SD0801006TP	30	67	SM4051001SC	36	12
NM6080001SC	56	9	SD0801006TP	32	67	SM4051055SP	2	16
NM6080002SC	36	14	SD0801506TP	26	23	SM4051405SE	48	23
NM6080002SC	42	55	SD1000646TP	50	38	SM4051655SP	2	12
NM6100001SD	12	8	SK3382001SE	38	3	SM5030355SN	8	51
NS6110310SP	8	61	SK3412001SE	50	21	SM5030655SN	10	95
NS6110310SP	50	9	SK3452000SC	50	10	SM5040550TP	18	28
PF0551060A0	50	15	SK3482001SE	50	41	SM5040655SN	6	67
PF902005000	50	16	SK3512001SE	42	52	SM5040655SN	8	67
PJ025100003	50	17	SK3512001SE	46	33	SM5040655SN	50	35
PS0200082KH	16	36	SL4030881SC	4	80	SM6030402TP	10	97
PV015122000	50	18	SL4030881SC	40	38	SM6030802TP	18	14
RC0100001KP	12	4	SL4031091SC	18	19	SM6031402TP	2	23
RC0560711KP	6	44	SL4031091SC	26	7	SM6040450TP	30	61
RC1700001KP	6	4	SL4031091SC	30	13	SM6040450TP	32	61
RC2791218KP	16	7	SL4031091SC	50	33	SM6040460TP	30	27
RC3000002KP	12	3	SL4040881SC	40	37	SM6040502TP	22	100
RE0300000K0	20	92	SL4040891SC	46	27	SM6040502TP	24	35
RE0300000K0	26	2	SL4041081SC	40	24	SM6040600SP	26	59
RE0400000K0	6	45	SL4041281SC	40	33	SM6040600SP	28	59

NUMERICAL INDEX OF PARTS

PART NO	PAGE	REF NO.	PART NO	PAGE	REF NO.	PART NO	PAGE	REF NO.
SM6040600SP	30	59	SM6061002TP	2	36	SS6060210SP	20	75
SM6040600SP	32	59	SM6061002TP	18	23	SS7110840SP	8	55
SM6040602TP	2	82	SM6061010TP	20	83	SS8660612TP	52	4
SM6040602TP	4	82	SM6061202TP	20	87	ST4040851SN	46	34
SM6040602TP	8	79	SM6061202TP	24	20	ST9053511SR	36	2
SM6040602TP	18	20	SM6061202TP	34	1	TA0500301R0	2	46
SM6040602TP	26	58	SM6061602TP	20	85	TA0550604R0	4	83
SM6040602TP	28	58	SM6061802TP	18	24	TA0750404R0	4	76
SM6040602TP	30	57	SM6061802TP	24	12	TA0850604R0	4	67
SM6040602TP	32	57	SM6062002TP	20	88	TA1050504R0	2	32
SM6040602TP	46	28	SM6062502TP	12	11	TA1250406R0	2	34
SM6040650TP	4	77	SM6062502TP	20	86	TA1550902R0	2	35
SM6040750TP	24	32	SM6067052TP	2	37	TA2100904R0	4	58
SM6040802TP	18	61	SM6067052TP	46	9	WP0320501SC	8	65
SM6040802TP	20	61	SM6087002TN	8	88	WP0371016SD	10	98
SM6040802TP	26	12	SM6087002TN	56	7	WP0430800SC	32	51
SM6040802TP	30	15	SM7030550TP	24	15	WP0430800SC	40	4
SM6040860TP	6	10	SM8030412TP	6	13	WP0430801SC	26	6
SM6040860TP	26	11	SM8040802TP	8	49	WP0430801SC	30	26
SM6041002TP	18	22	SM8050412TP	18	17	WP0430801SC	34	23
SM6041002TP	34	26	SM8050412TP	26	19	WP0431005SP	28	53
SM6041200SP	26	13	SM8050412TP	30	16	WP0431005SP	30	37
SM6041200SP	32	60	SM8050502TP	8	48	WP0450801SC	8	80
SM6041202TP	12	40	SM8050502TP	16	30	WP0450801SC	56	6
SM6041202TP	18	38	SM8050502TP	18	25	WP0450826SC	6	46
SM6041202TP	24	10	SM8050502TP	24	18	WP0451016SP	30	38
SM6041602TP	20	62	SM8050502TP	26	20	WP0451026SH	18	41
SM6050652TP	2	29	SM8050602TP	20	66	WP0501046SC	32	79
SM6050652TP	26	14	SM8050612TP	34	20	WP0520656SA	8	86
SM6050652TP	50	36	SM80506A2TP	12	30	WP0531000SD	20	93
SM6050800SP	20	63	SM8060552TP	18	39	WP0531001SC	48	22
SM6050800SP	26	15	SM8060612TP	20	69	WP0550800SP	28	56
SM6050802TP	2	48	SM80606A2TP	2	38	WP0551016SH	32	78
SM6050802TP	4	48	SM80606A2TP	6	14	WP0612056SD	4	55
SM6050802TP	6	11	SM80606A2TP	12	32	WP0612056SD	46	29
SM6050802TP	26	60	SM80606A2TP	16	15	WP0621046SP	12	12
SM6050802TP	28	60	SM80606A2TP	18	40	WP0651646SC	42	59
SM6050802TP	32	75	SM80606A2TP	24	19	WP0851846SC	36	16
SM6051002TP	20	65	SM80608A2TP	12	48	WP0852086SC	8	89
SM6051202TP	28	68	SM80608A2TP	14	48	WP0852086SC	42	53
SM6051202TP	34	10	SM8081652TP	12	21	WP0852086SC	56	8
SM6051402TP	34	21	SM9040700SP	30	17	WP1612616SE	48	15
SM6051802TP	16	33	SM9040700SP	34	24	WS0410002KP	6	16
SM6052002TP	12	23	SM9040800SP	6	15	WS0510002KN	48	21
SM6052002TP	16	34	SM9061403CP	12	13	WS0820002KR	36	13

NUMERICAL INDEX OF PARTS

PART NO	PAGE	REF NO.
WS0820002KR	42	54
WT0640001KN	42	60