

MODEL : AMS-221ENTS-3020/X90016

List No : 1705-00

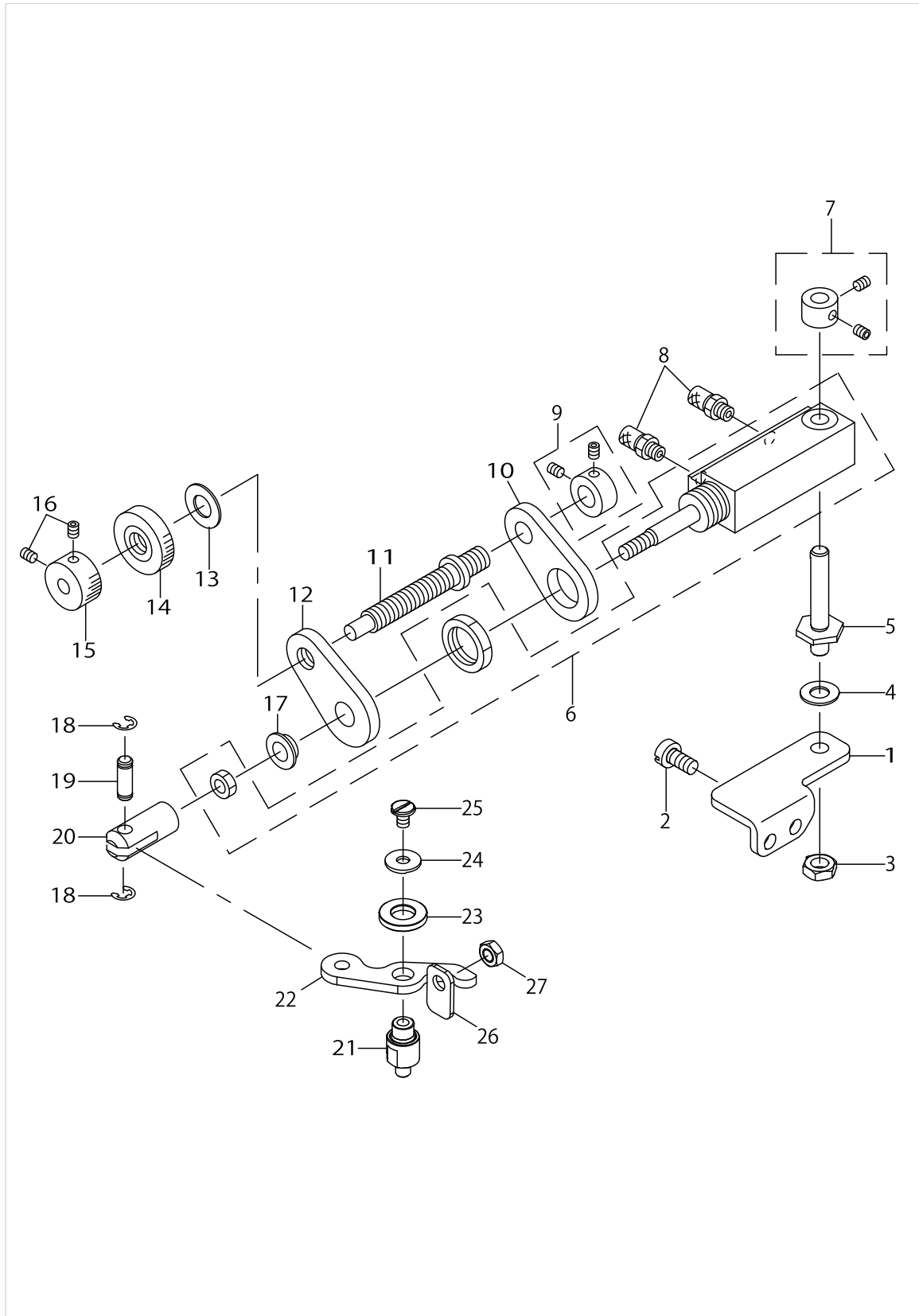
PARTS LIST

Published:10/31/2017

CONTENTS

TWO STEP PRESSER COMPONENTS.....	1
SUPPORT TABLE COMPONENTS.....	3
TABLE SUPPORT STRUT COMPONENTS	5
CLOTH PRESSER COMPONENTS.....	7
POCKET PRESSER COMPONENTS	9
TRANSPORT COMPONENTS.....	11
STACKER COMPONENTS.....	13
COVER COMPONENTS.....	15
EXTERIOR COMPONENTS	17
AIR COMPONENTS	19
ACCESSORIES COMPONENTS.....	23

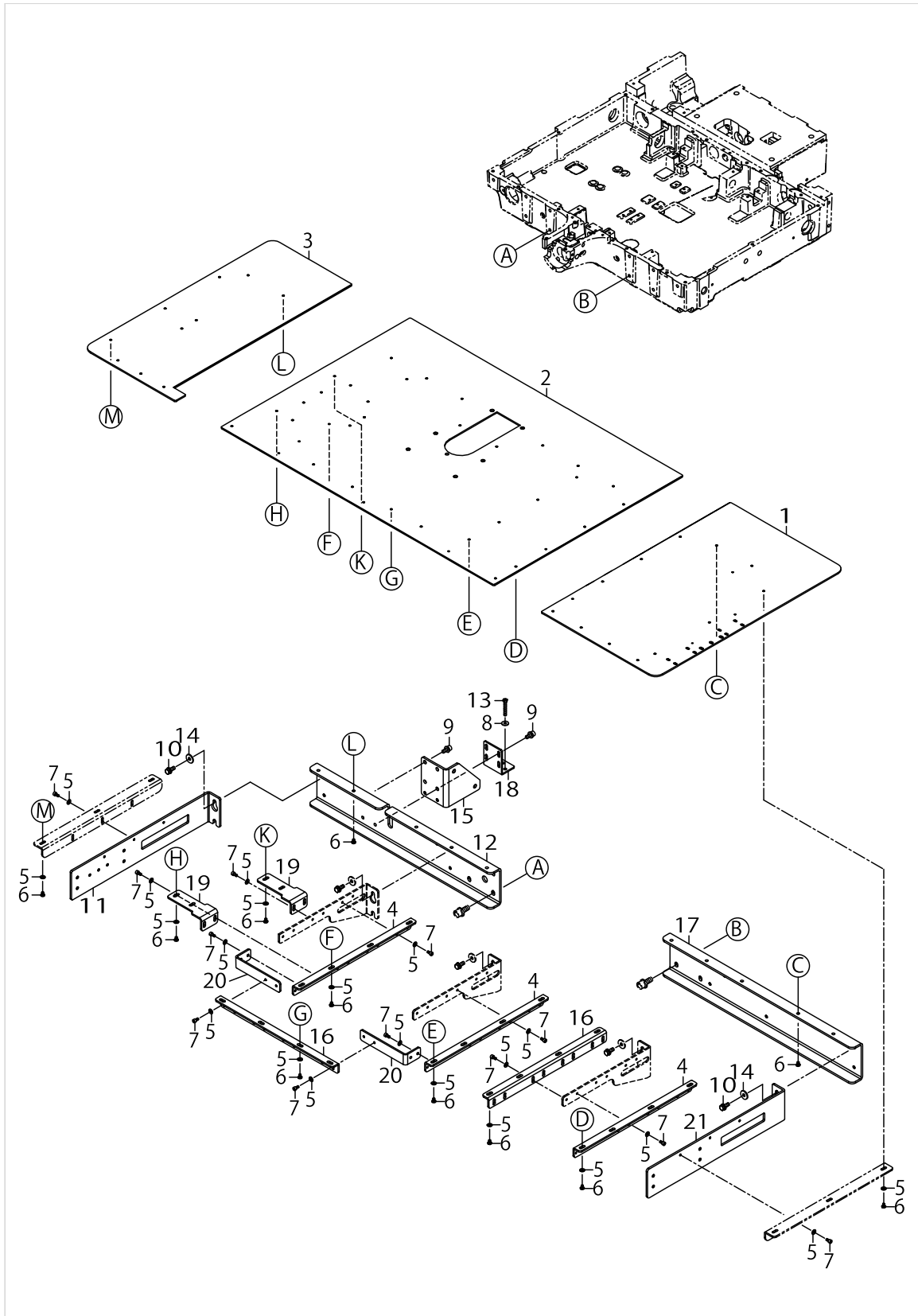
TWO STEP PRESSER COMPONENTS



TWO STEP PRESSER COMPONENTS

No.	Parts No.	Parts name	Remarks	Level	Cons	Qty
1	40034186	INSTALLING_PLATE				1
2	SM6051000SP	SCREW				2
3	NM6060003SC	NUT M6				1
4	WP0650876SD	WASHER 6.5X13X0.8				1
5	40034185	SHAFT				1
6	PA1602510A0	AIR CYLINDER				1
7	40034185	SHAFT				1
8	PJ032052503	HOSE NIPPLE				2
9	CS079073BSH	THRUST COLLAR				1
10	B2518215000	BRACKET				1
11	B2527215000	REGULATION SCREW				1
12	B2518215A00	REGULATION PLATE				1
13	WP0820816SD	WASHER 8.2X16X0.8				1
14	B3012816000	NUT				1
15	B2304205000	KNOB				1
16	SS8110422TP	SCREW 11/64-40 L=4				2
17	B2548215000	BUSHING				1
18	RE0300000K0	E-RING 3				2
19	40023635	CYLINDER PIN				1
20	B1625220000	CYLINDER KNUCKLE				1
21	40032231	DRIVING_LINK_SHAFT				1
22	B2516215000	LEVER				1
23	B185351200E	HOOK SHAFT WASHER				1
24	WP0431005SP	PLAIN WASHER 4.3X12X1				1
25	SM6040650TP	SCREW				1
26	B2530215000	PRESSER PLATE				1
27	NM6050003SC	NUT M5X0.8 TYPE3				1

SUPPORT TABLE COMPONENTS



SUPPORT TABLE COMPONENTS

No.	Parts No.	Parts name	Remarks	Level	Cons	Qty
1	40188394	TABLE_RIGHT				1
2	40188389	NEEDLE_PLATE_SUPPORT_COVER				1
3	40188398	TABLE_LEFT				1
4	40188392	COVER_BASE_B				3
5	WP0450801SP	WASHER				54
6	SM6450610TP	SCREW				34
7	SM6040802TP	SCREW M4X0.7 L=8				38
8	WP0501046SC	WASHER 5 X 14 X 1				3
9	SL6061492TN	BOLT				6
10	SL9061693SE	WASHER HEXAGONAL BOLT M6 L=16				4
11	40188388	COVER_SUPPORT_LEFT				1
12	40188419	ROTATION_SUPPORT_PLATE_A				1
13	ST9053511SR	TAPPING SCREW M5X35				3
14	WP0612056SD	WASHER 6.1X18.5X2				4
15	40188397	TABLE_BASE				1
16	40188391	COVER_BASE_A				2
17	40188382	COVER_SUPPORT_BASE_RIGHT				1
18	72004393	TABLE_SUPPORT_PLATE				1
19	40188393	SUPPORT_PLATE				2
20	40188395	SUPPORT_PLATE				2
21	40188387	COVER_SUPPORT_RIGHT				1

TABLE SUPPORT STRUT COMPONENTS

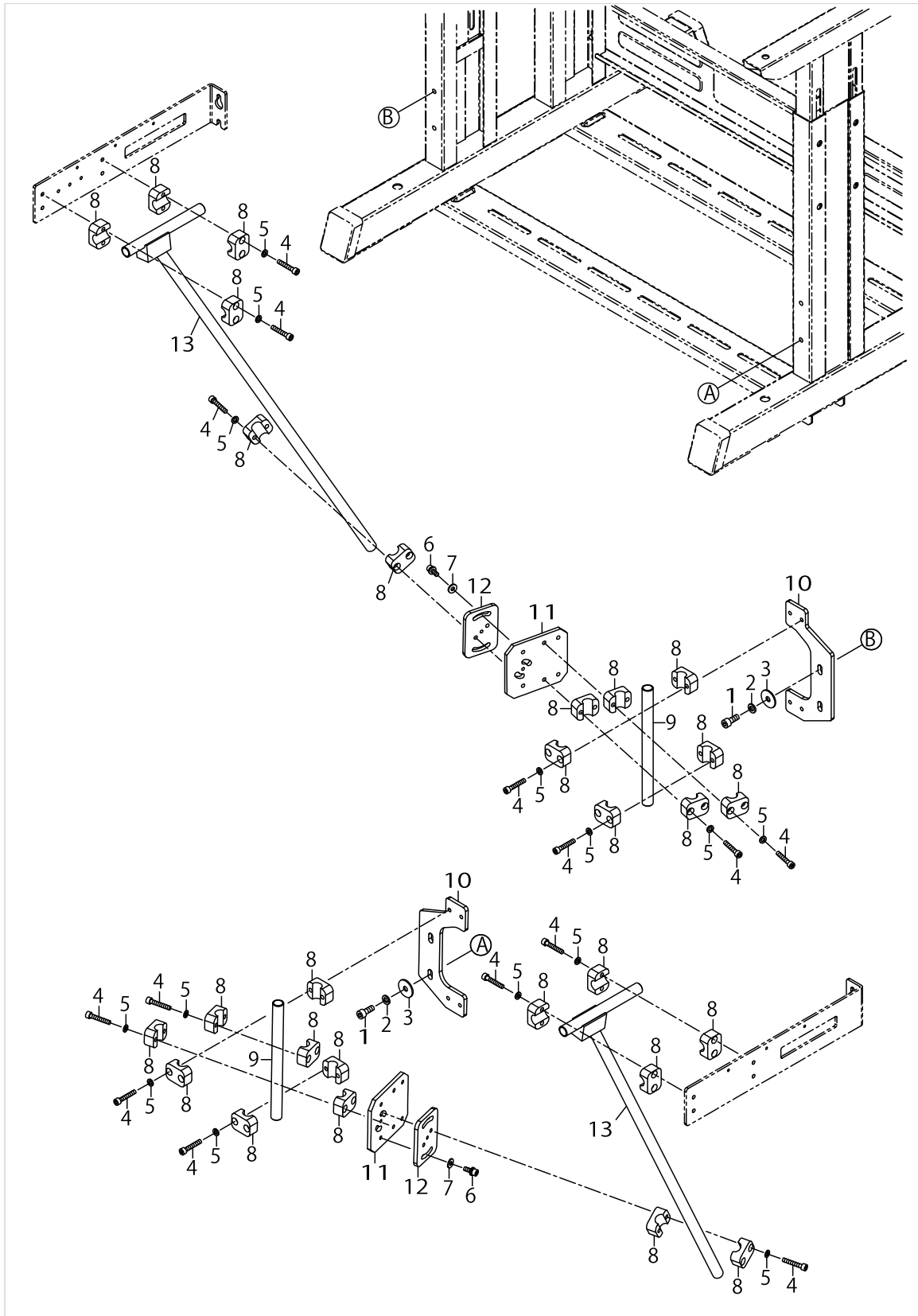
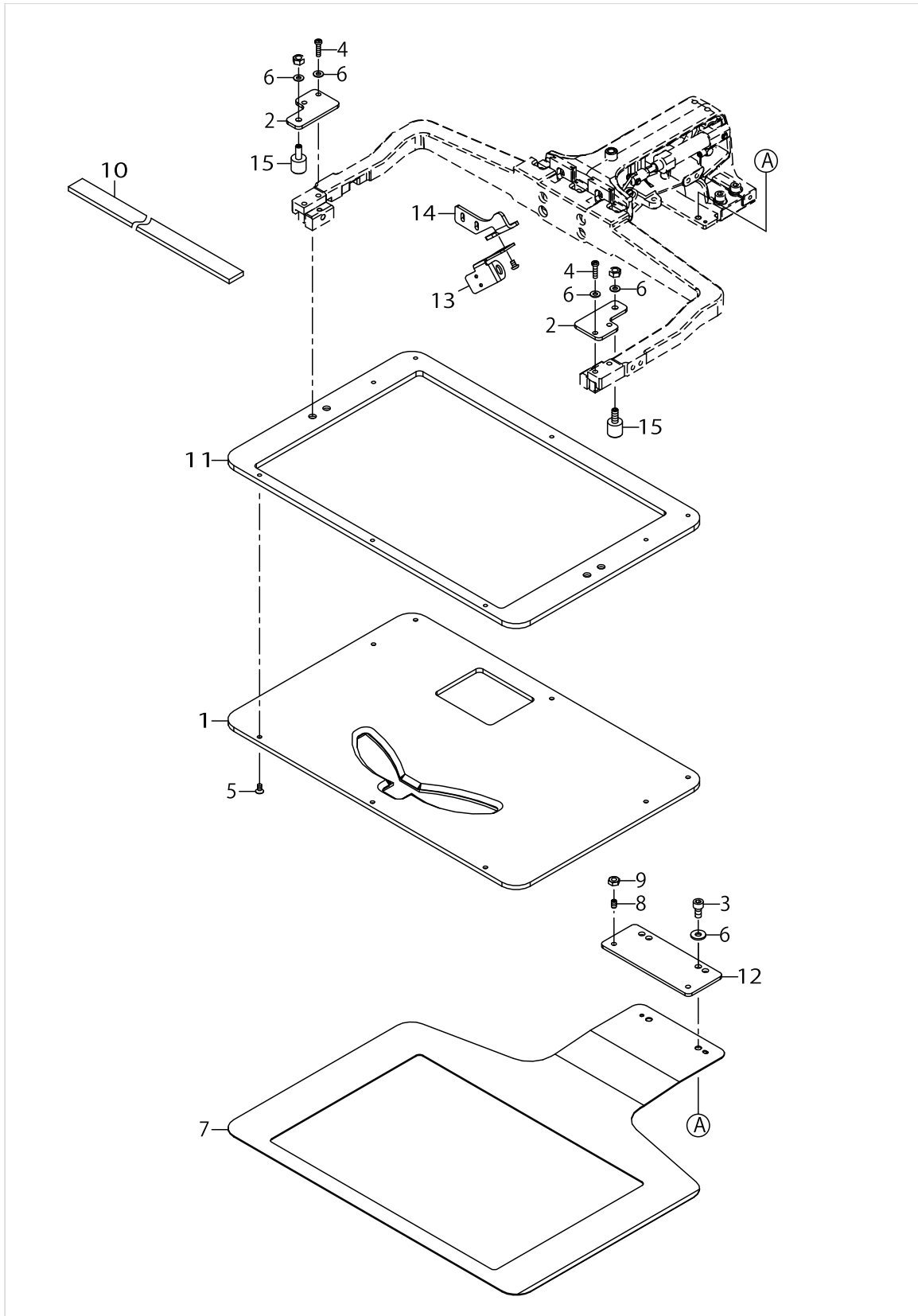


TABLE SUPPORT STRUT COMPONENTS

No.	Parts No.	Parts name	Remarks	Level	Cons	Qty
1	SM6082002TP	SCREW M8 L=20				4
2	WS0822010KP	SPRING WASHER 8.2X15X2				4
3	WP0852086SC	WASHER M8				4
4	SM6063502TN	HEXAGONAL-HOLE BOLT M6 L=35				28
5	WP0641600SC	WASHEW 6.4X12.5X1.6				28
6	SL6061692TN	BOLT				4
7	WP0611626SP	WASHER 15X6X1.6				4
8	G7524870000	PIPE CLAMP MAIN BODY				28
9	72002355	ROTATION_SUPPORT_STRUT				2
10	72002351	TABLE_SUPPORT_STRUT_BASE				2
11	72002352	ROTATION_SUPPORT_BASE_A				2
12	40188420	ROTATION_SUPPORT_PLATE_B				2
13	40188415	TABLE_SUPPORT_STRUT_ASM.				2

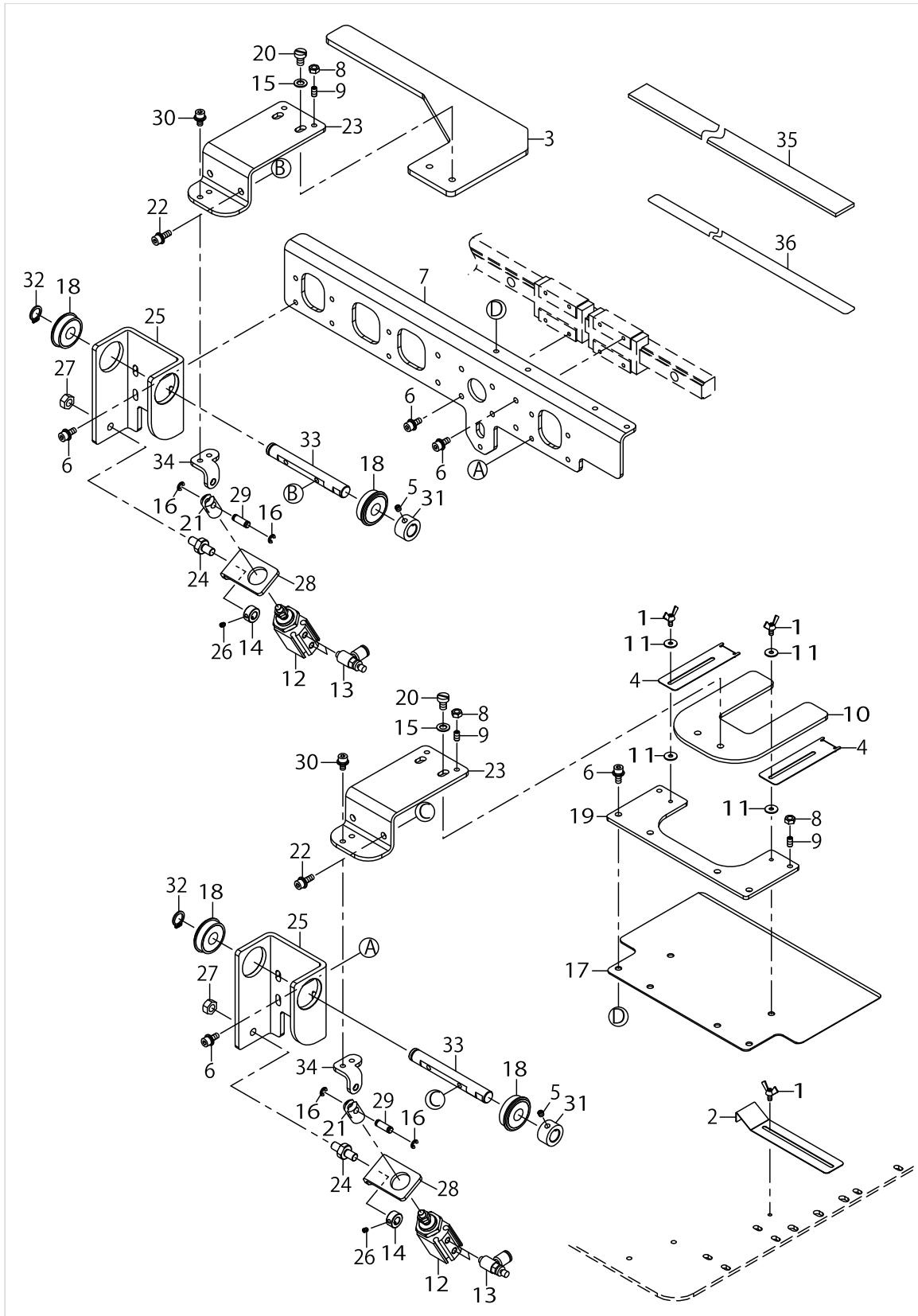
CLOTH PRESSER COMPONENTS



CLOTH PRESSER COMPONENTS

No.	Parts No.	Parts name	Remarks	Level	Cons	Qty
1	40188423	CLOTH_PRESSER_PLATE				1
2	40188381	STOPER_PLATE				2
3	SM6061202TP	SCREW M6 L=12				2
4	SM4041655SP	SCREW M4 L=16				4
5	SM1040801SC	SCREW M4X0.7 L=8				6
6	WP0450826SC	WASHER 4.5X10X0.8				4
7	40188496	LOWER_PLATE				1
8	SM8050812TP	SCREW M5X8				2
9	NM6050001SD	NUT M5X0.8				2
10	G6113875000	CLOTH PRESSER SPONGE			☆	2
11	40188421	FEEDING_FRAME				1
12	40188819	LOWER_PLATE_ANGLE_ADJUST				1
13	72002283	CLAMP_BASE_B				1
14	72002289	CLAMP_BASE_A				1
15	40191197	LOWER PLATE STOPPER				2

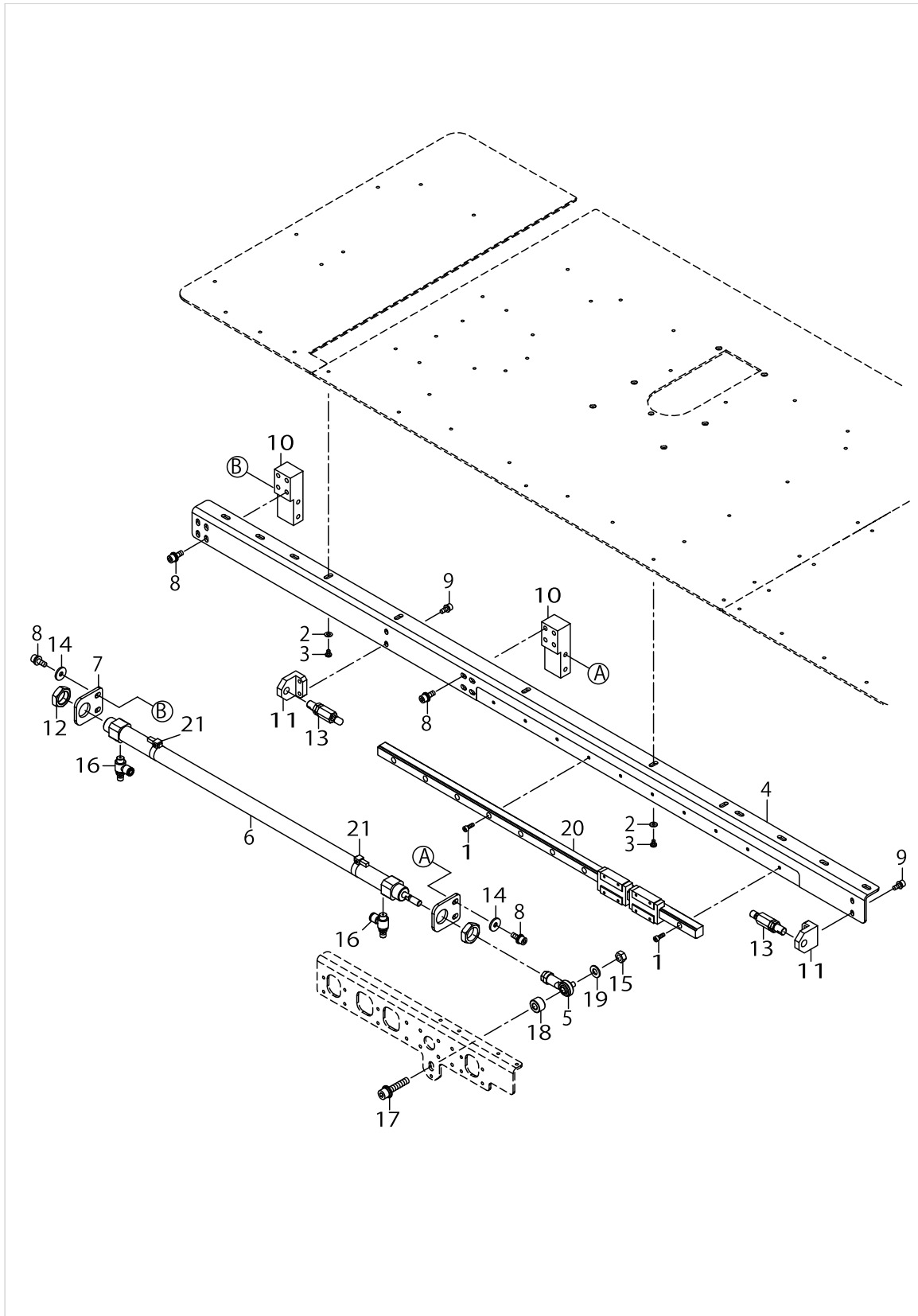
POCKET PRESSER COMPONENTS



POCKET PRESSER COMPONENTS

No.	Parts No.	Parts name	Remarks	Level	Cons	Qty
1	72004664	SCREW_M3				5
2	72004666	POCKET_MOUTH_GUIDE				3
3	40188380	POCKET_RELEASE				1
4	72004663	POCKET_GUIDER				2
5	SM8040412TP	SET SCREW M4 L=4				4
6	SL6041092TN	SCREW				20
7	72003496	TRANSPORT_BASE_PLATE				1
8	NM6040001SC	NUT M4X0.7 TYPE1				6
9	SM8040802TP	SCREW M4X8				6
10	72003545	PRESSER_PLATE				1
11	WP0330816SF	WASHER 3.25X10X0.8				4
12	72003568	POCKET_PRESSER_CYLINNDER				2
13	PC010508000	SPEED CONTROLLER				4
14	72001379	COLLAR				2
15	WP0550800SP	WASHER 5.5X10X0.8				4
16	RE0300000K0	E-RING 3				4
17	40192536	POCKET LOWER PLATE				1
18	SB110002400	BEARING				4
19	72003547	POCKET_LOWER_PLATE_SUPPORT				1
20	SM6050800SP	SCREW M5 L=8				4
21	40023644	CYLINDER KNUCKLE				2
22	SL6041292TN	SCREW				4
23	72003544	PRESSER_SUPPORT_PLATE				2
24	72003560	PSP PIN				2
25	72003500	BASE_PLATE				2
26	SM8030412TP	SCREW				4
27	NM6060001SD	NUT M6				2
28	72003542	CYLINDER_BRACKET				2
29	40023635	CYLINDER PIN				2
30	SL6040892TN	BOLT				4
31	16559304	COLLAR				2
32	RC0931011KP	RETAINING RING				2
33	72003558	SHAFT				2
34	72003543	CYLINDER_PRESSER_PLATE				2
35	G611387500A	CLOTH PRESSER SPONGE A			☆	1
36	G5138172000	CLAMP TABLE LINER			☆	1

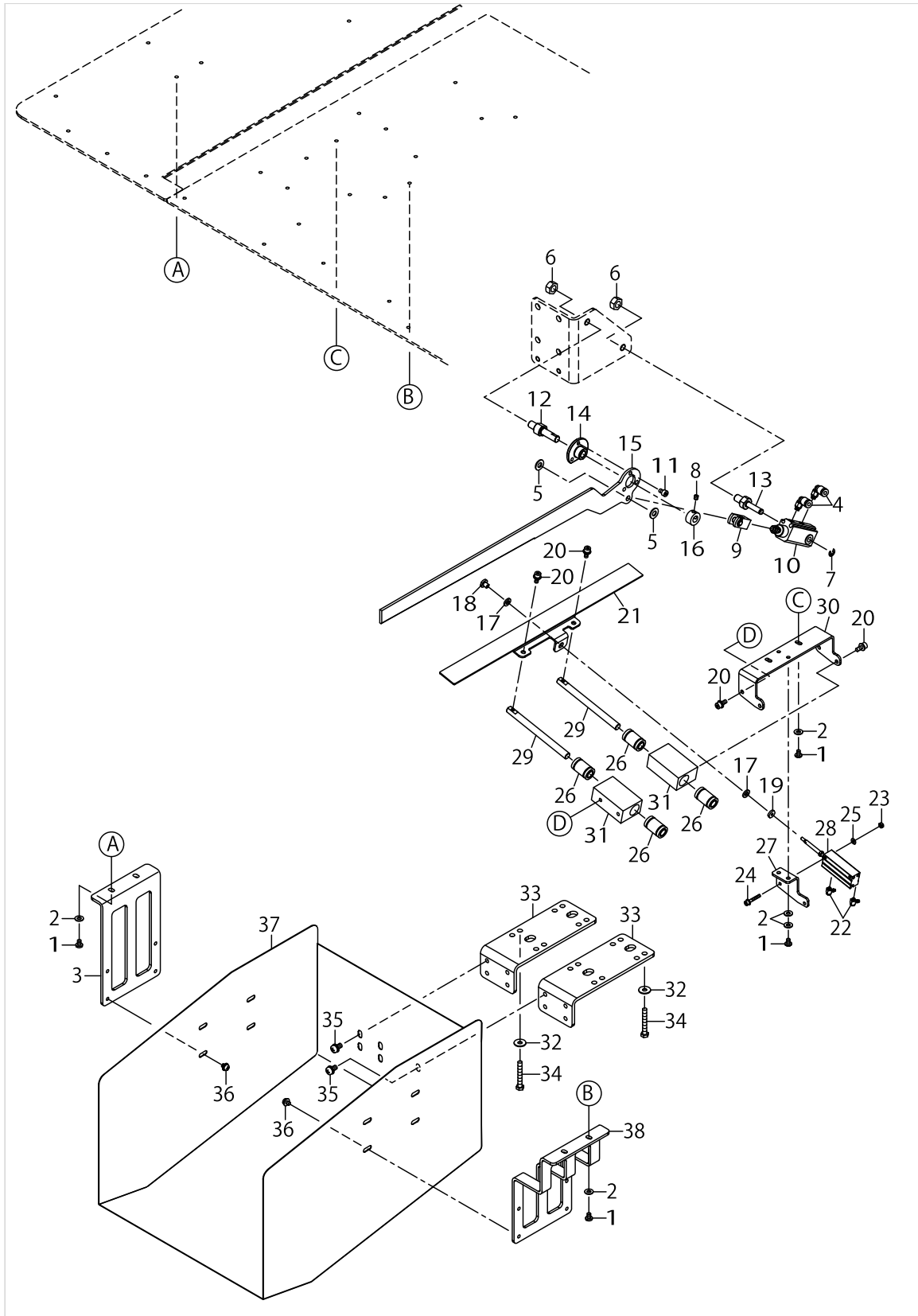
TRANSPORT COMPONENTS



TRANSPORT COMPONENTS

No.	Parts No.	Parts name	Remarks	Level	Cons	Qty
1	SM6041202TP	SCREW M4X0.7 L=12				10
2	WP0450801SP	WASHER				12
3	SM6450610TP	SCREW				12
4	40188399	TRANSPORT_GUIDE_BASE_PLATE				1
5	40035314	ROD_END				2
6	40187818	TRANSPORT_CYLINDER				1
7	72003510	TRANSPORT_CYLINDER_BASE_PLATE				2
8	SL6061692TN	BOLT				12
9	SL6051292TN	BOLT				4
10	72003513	CYLINDER_INTALLATION_BLOCK				2
11	72003518	STOPPER_PLATE				2
12	72003636	NUT				1
13	72003594	ABS				2
14	WP0612056SD	WASHER 6.1X18.5X2				4
15	NM6080001SC	NUT M8X1.25				1
16	PC015108000	SPEED CONTROLLER				2
17	SL6084092TN	BOLT				1
18	72003509	SPACER				1
19	WP0841601SC	WASHER 8.4X17.4X1.6				1
20	40187817	CARRIER_SLIDE_GUIDE				1
21	72002482	SENSOR_BAND				2

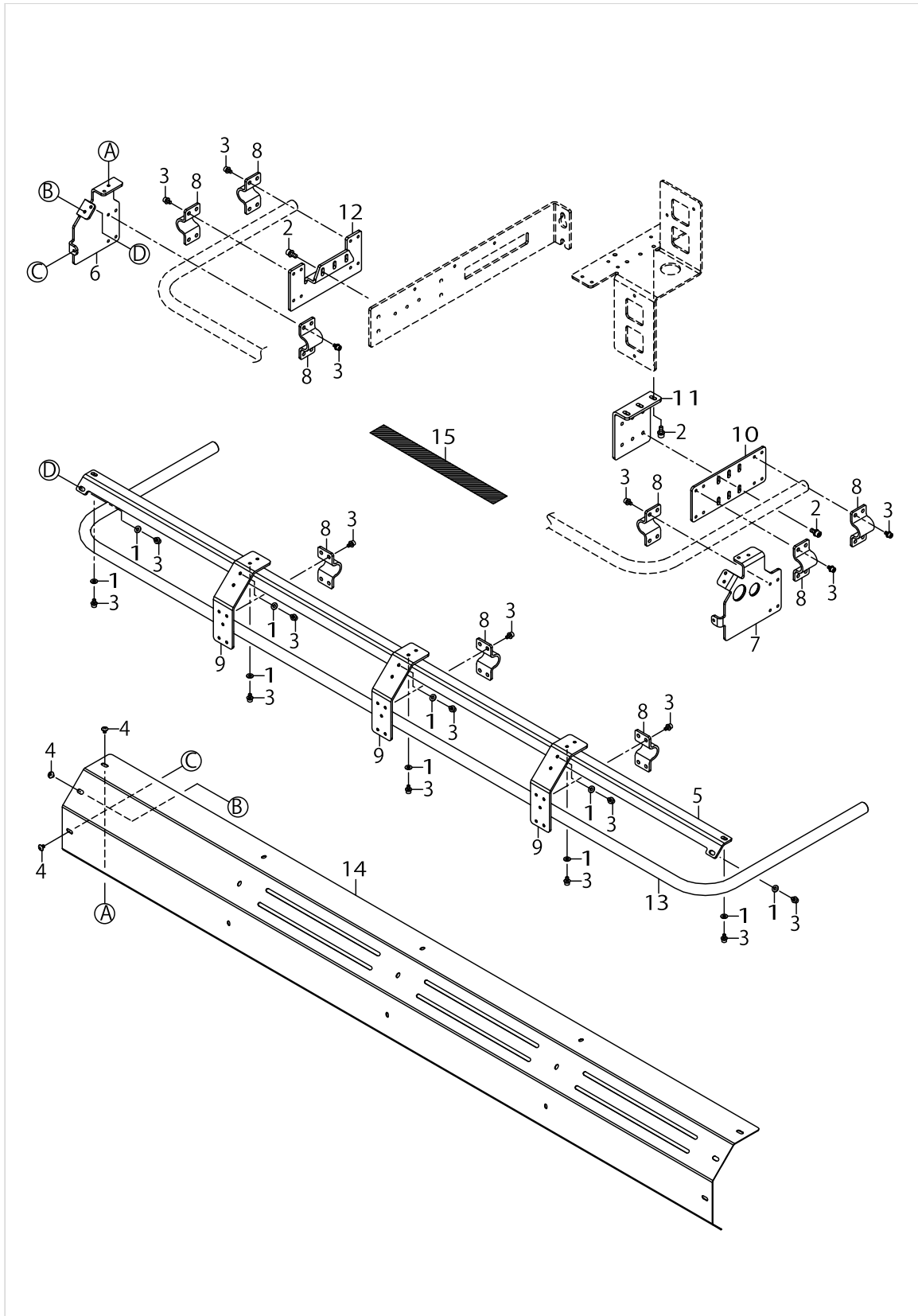
STACKER COMPONENTS



STACKER COMPONENTS

No.	Parts No.	Parts name	Remarks	Level	Cons	Qty
1	SM6450610TP	SCREW				8
2	WP0450801SP	WASHER				10
3	40191838	SUPPORT PLATE B				1
4	PJ304040504	UNION				2
5	WP0621016SD	WASHER 6.2X13X1				2
6	NM6080001SC	NUT M8X1.25				2
7	RE0400000K0	E-RING 4				1
8	SS8110520TP	SCREW 11/64-40 L= 4.5				2
9	72005035	TWO_CROWN_KNUCKLE_JOINT_16				1
10	PA1601017A0	AIR CYLINDER				1
11	SM6040602TP	SCREW M4X0.7 L=6				3
12	72005037	SHOULDER_SCREW				1
13	72005036	CYLINDER_SUPPORT_PIN				1
14	72005040	STACKER_INSERT				1
15	40188400	POCKET_WIPER				1
16	CS0800816SH	THRUST HOLDER D=8 W=8				1
17	72004928	RUBBER_WASHER				2
18	72004926	CYLINDER_ROD_INSTALLING_NUT_A				1
19	72004927	CYLINDER_ROD_INSTALLING_NUT_B				1
20	SL6041092TN	SCREW				6
21	40188390	POCKET_SUPPORT_PLATE				1
22	PJ046039001	ELBOW				2
23	NM6030002SF	NUT M3				2
24	SL6032092TN	BOLT				2
25	WP0320501SE	WASHER 3				2
26	SB708000100	BEARING				4
27	72003556	PSP_CYLINDER_BRACKET				1
28	72003596	SUPPORT_PLATE_CYLINDER				1
29	72003559	PSP_SHAFT				2
30	72003557	PSP_BASE				1
31	G5205172000	PUSHER SHAFT HOLDING BOX				2
32	WP0501046SC	WASHER 5 X 14 X 1				8
33	72003537	LINK_PLATE				2
34	ST9053511SR	TAPPING SCREW M5X35				8
35	SL4051091SC	SCREW M5X0.8 L=10				8
36	SL4040691SC	SCREW M4 L=6				8
37	40191836	POCKET BOX				1
38	40191837	SUPPORT PLATE A				1

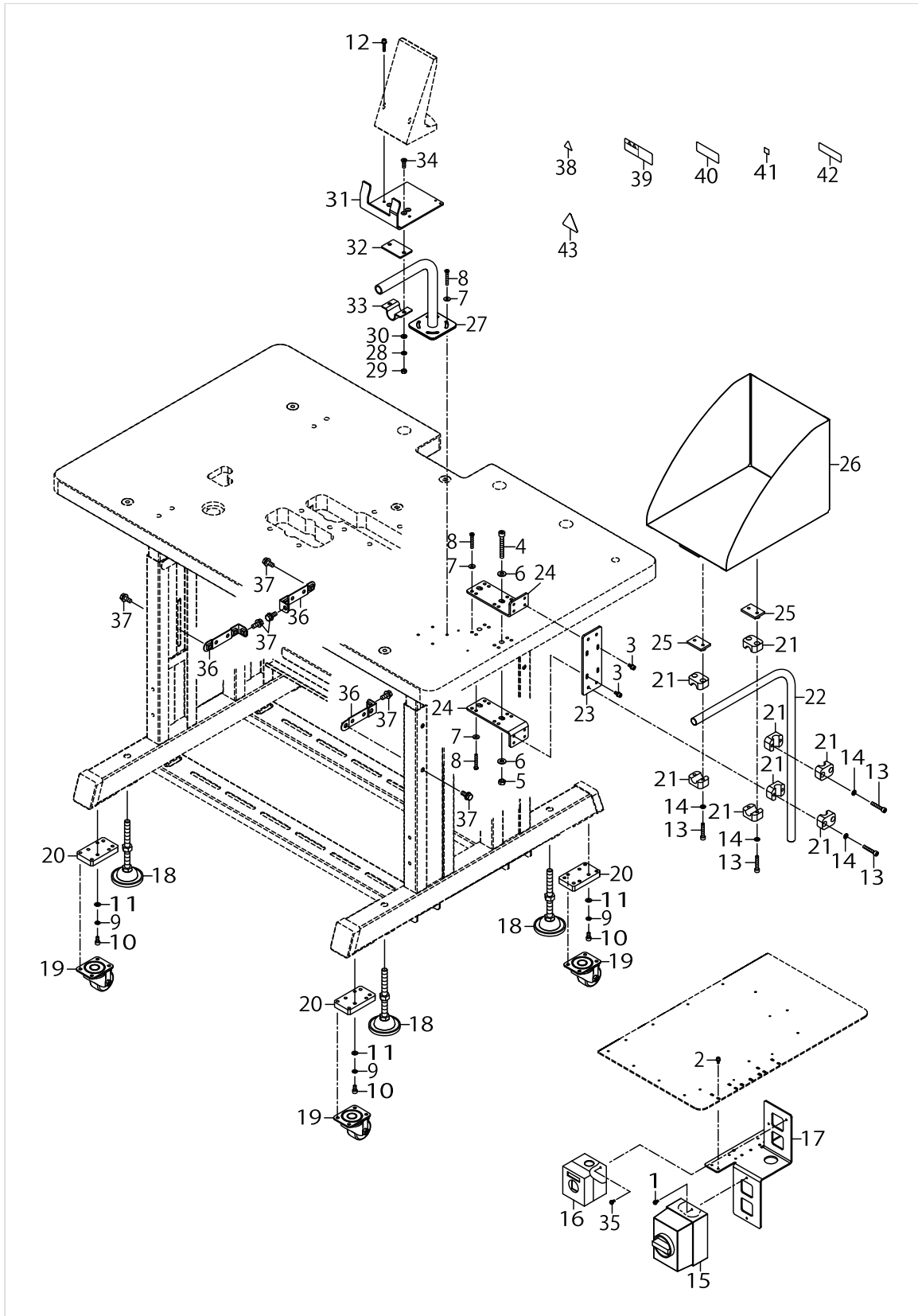
COVER COMPONENTS



COVER COMPONENTS

No.	Parts No.	Parts name	Remarks	Level	Cons	Qty
1	WP0450801SP	WASHER				10
2	SL6051292TN	BOLT				12
3	SL6040892TN	BOLT				46
4	SM0040601SC	SCREW M4X0.7 L=6				15
5	40195402	COVER_SUPPORT_PLATE_C				5
6	72003564	COVER_LEFT_PLATE				1
7	72003563	COVER_RIGHT_PLATE				1
8	72003587	COVER_SUPPORT_PLATE_D				1
9	72003582	COVER_SUPPORT_PLATE_B				1
10	40188408	SUPPORT_PLATE_A				1
11	40188407	SUPPORT_PLATE_B				1
12	40188410	COVER_SUPPORT_PLATE_E				9
13	40188409	COVER_SUPPORT_PIPE				3
14	40191783	COVER_PLATE_A				1
15	40058951	AREA_CAUTION_LABEL				12

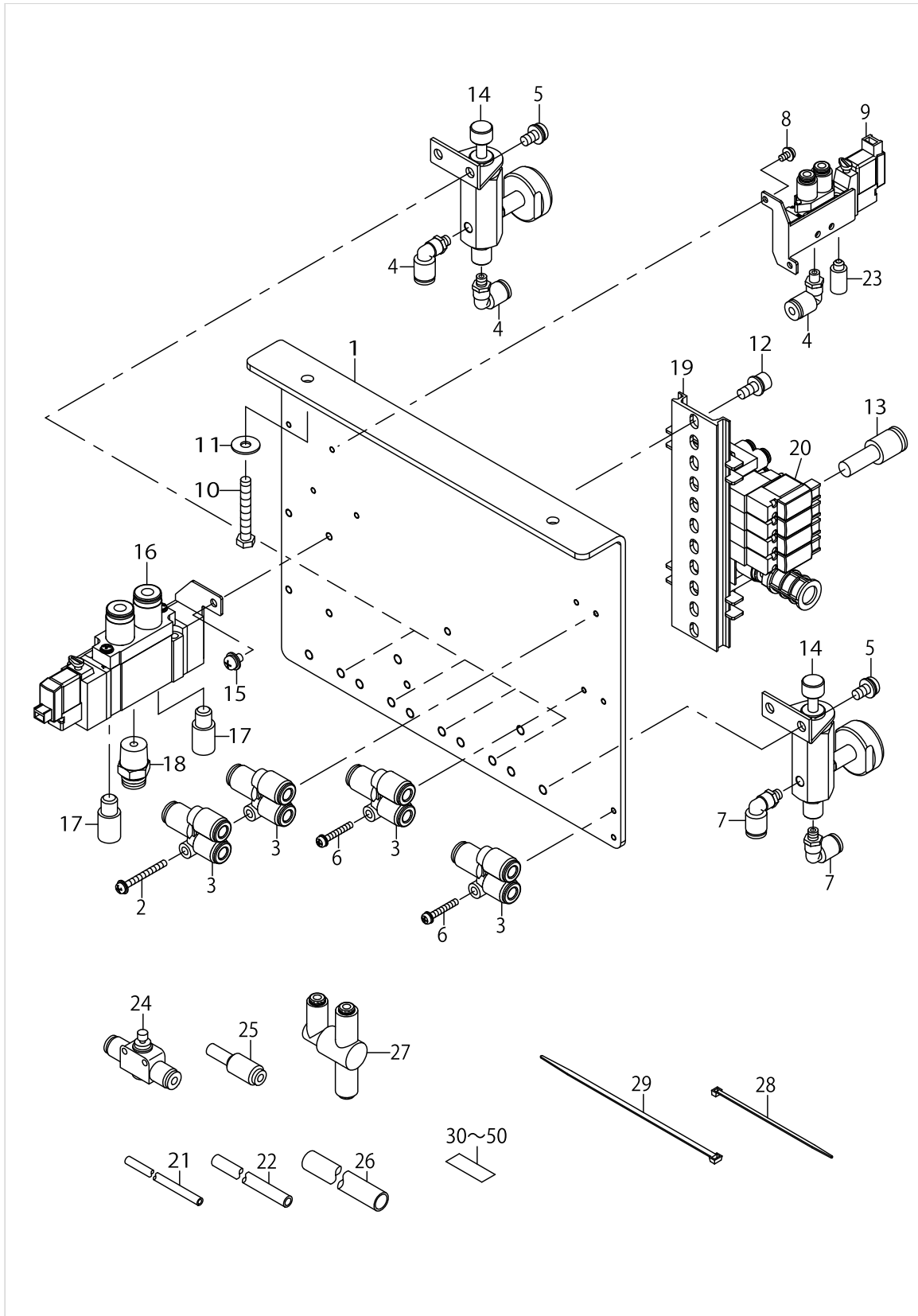
EXTERIOR COMPONENTS



EXTERIOR COMPONENTS

No.	Parts No.	Parts name	Remarks	Level	Cons	Qty
1	SL4041081SC	SCREW M4 L=10				2
2	SL6041092TN	SCREW				8
3	SL6051292TN	BOLT				4
4	SM6086002TN	SCREW				2
5	NM6080001SC	NUT M8X1.25				2
6	WP0850002SP	WASHER 8.5X18X1.6				4
7	WP0501046SC	WASHER 5 X 14 X 1				12
8	ST9053511SR	TAPPING SCREW M5X35				12
9	WS0651310KP	SPRING WASHER 6.5X11X1.3				16
10	SM6061202TN	BOLT				16
11	WP0651001SC	WASHER				16
12	SL6052592TN	BOLT				2
13	SM6063502TN	HEXAGONAL-HOLE BOLT M6 L=35				8
14	WP0641600SC	WASHER 6.4X12.5X1.6				8
15	HA005820000	SWITCH				1
16	40091335	OFF_SW_BOX_GND_PLATE				1
17	40188405	SWITCH_INSTALLATION_BOARD				1
18	40188406	ADJUSTMENT_PADS				4
19	40188815	CASTER_MOUNT				4
20	40188817	CASTER_BASE				4
21	G7524870000	PIPE CLAMP MAIN BODY				8
22	G7515870000	GARMENT PRESSER HOLDER PIPE				1
23	40188386	LINK_SPACER				1
24	72003537	LINK_PLATE				2
25	G7525870000	PIPE CLAMP LOWER PLATE				2
26	40116219	POCKET_PUTTING_STAND				1
27	72002395	OPERATION_PANEL_PIPE				1
28	WS0610002KN	SPRING WASHER 6.1X12.2X1.5				2
29	NM6060001SC	NUT M6X1 TYPE1				2
30	WP0641601SC	WASHER				2
31	40116216	PANEL_PLATE				1
32	G1016192000	CLAMP BOTTOM PLATE				1
33	G1015192000	CLAMP				1
34	SM1062052TP	SCREW M6 L=20				2
35	SL4041091SC	SCREW M4 L=10				2
36	11158516	UPPER STAND PLATE				4
37	SL9082093SE	SCREW				12
38	CM300200002	CAUTION LABEL(25)				8
39	CM301300001	SAFETY LABEL				1
40	40094560	CE MARKING LABEL (EU)				1
41	CM600100101	WEEE MARK LABEL S				1
42	40189347	NAME_PLATE_AMS221ENTS_X90016				1
43	40058949	BINDER_CAUTION_LABEL_M				1

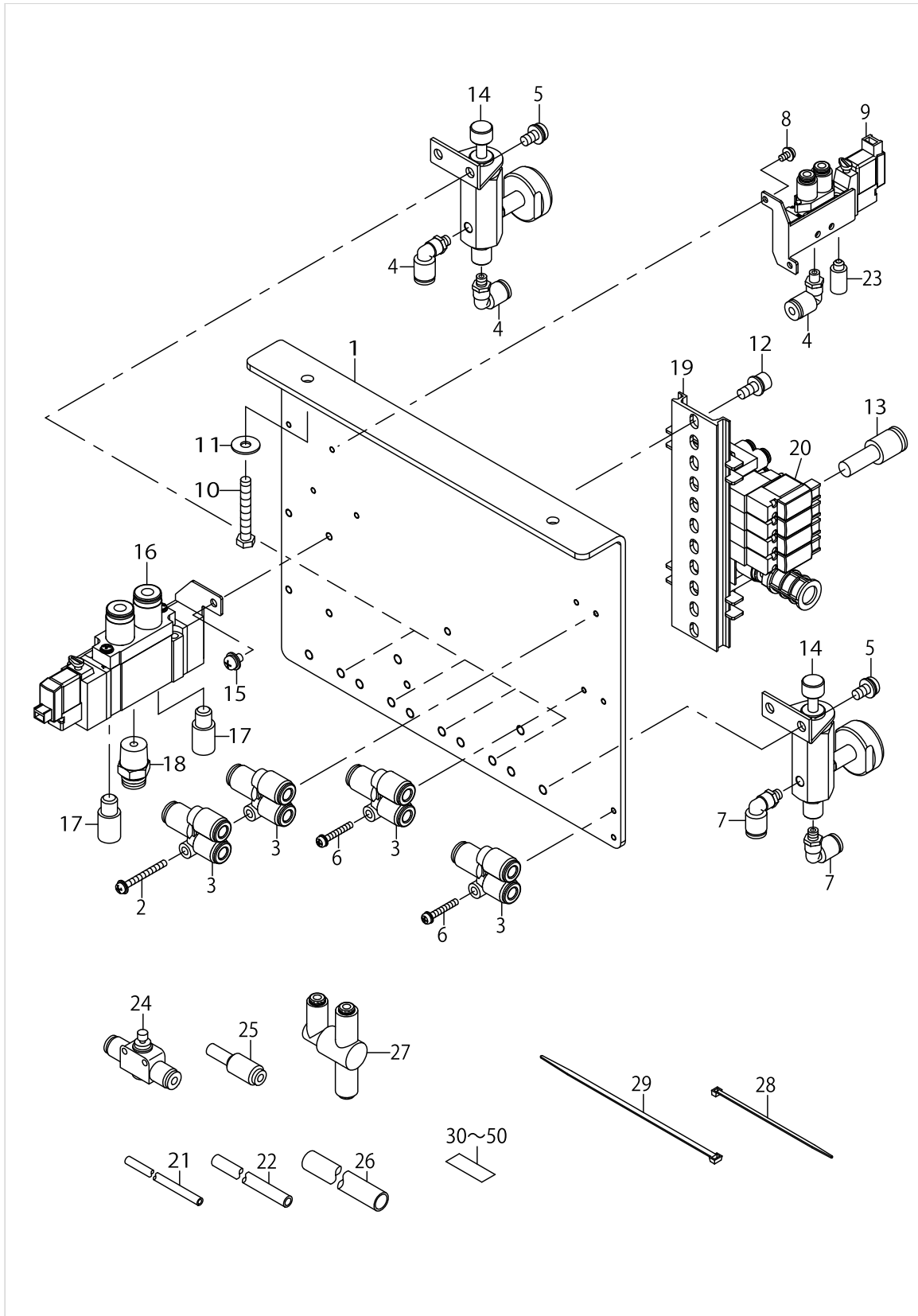
AIR COMPONENTS



AIR COMPONENTS

No.	Parts No.	Parts name	Remarks	Level	Cons	Qty
1	40184155	SOLENOID_INSTALLING_PLATE				1
2	SL4033091SC	SCREW M3 L=30				1
3	PJ308060003	Y UNION				4
4	PJ304040504	UNION				11
5	SL4051091SC	SCREW M5X0.8 L=10				10
6	SL4032081SC	SCREW M3 L=20				2
7	PJ304060502	ELBOW UNION 6XM5				2
8	SL4030691SC	SCREW M3 L=6				2
9	PV1502060A0	5 PORT MAGNETIC TRANSFER VALVE				1
10	ST9053511SR	TAPPING SCREW M5X35				2
11	WP0501046SC	WASHER 5 X 14 X 1				2
12	SL6051292TN	BOLT				2
13	PJ301060003	REDUCER				3
14	PC0205010A0	MINIATURE DECOMPRESSION VALVE				5
15	SL4040691SC	SCREW M4 L=6				2
16	PV150213000	5-PORT SOLENOID VALVE				1
17	PX055104000	SILENCER (PT1/8)				2
18	PJ301065201	HALF UNION 6XPT1/4				1
19	40000916	MANIFOLD VALVE A ASM				1
20	PV150209300	5 PORT ELECTROMAGNETIC VALVE				1
21	BT0400251EB	URETHANE TUBE BLACK 4X2.5				40
22	BT0600401EB	URETHANE TUBE BLACK 6X4				20
23	PX050501000	SILENCER				2
24	PC012401000	SPEED CONTROLLER				8
25	PJ301040001	REDUCER				2
26	HX00364000E	PARTS				2
27	PV200202000	SHUTTLE VALVE				1
28	EA9500B0100	CABLE BAND				40
29	EA9500B0200	CABLE BAND 150				20
30	18035204	WIRE MARK (3)				4
31	18035303	WIRE MARK (4)				4
32	18035600	WIRE MARK (7)				8
33	18035709	WIRE MARK (8)				8
34	18036707	WIRE MARK (18)				4
35	18036806	WIRE MARK (19)				8
36	18036905	WIRE MARK (20)				8
37	18037002	WIRE MARK (21)				35
38	18037101	WIRE MARK (22)				30
39	18037200	WIRE MARK (23)				8
40	18037309	WIRE MARK (24)				8
41	18037408	WIRE MARK (25)				8
42	18037507	WIRE MARK (26)				8
43	18037606	WIRE MARK (27)				8
44	18037705	WIRE MARK (28)				8
45	18037804	WIRE MARK (29)				8
46	18037903	WIRE MARK (30)				8
47	18038000	WIRE MARK (31)				8

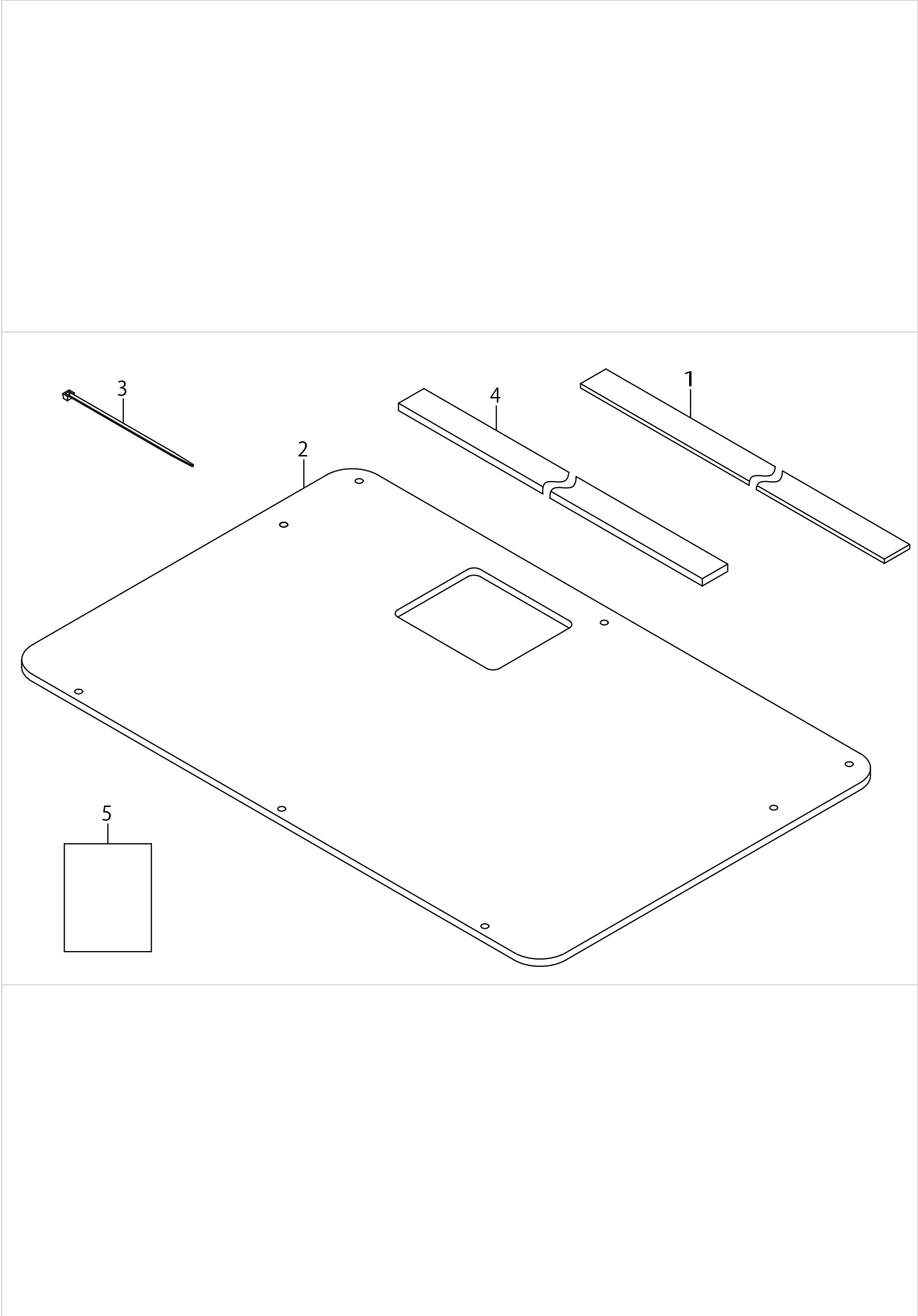
AIR COMPONENTS



AIR COMPONENTS

No.	Parts No.	Parts name	Remarks	Level	Cons	Qty
48	18038109	WIRE MARK (32)				16
49	18038208	WIRE MARK (33)				16
50	18038307	WIRE MARK (34)				8

ACCESSORIES COMPONENTS



ACCESSORIES COMPONENTS

No.	Parts No.	Parts name	Remarks	Level	Cons	Qty
1	G611387500A	CLOTH PRESSER SPONGE A			☆	2
2	40188457	CLOTH_PRESSER_PLATE				1
3	EA9500B0100	CABLE BAND				50
4	G6113875000	CLOTH PRESSER SPONGE			☆	2
5	40189346	AMS221ENTS_X90016_EC_DEC.				1

NUMERICAL INDEX OF PARTS

PART NO	PAGE	REF NO.	PART NO	PAGE	REF NO.	PART NO	PAGE	REF NO.
11158516	18	36	40188388	4	11	72003496	10	7
16559304	10	31	40188389	4	2	72003500	10	25
18035204	20	30~50	40188390	14	21	72003509	12	18
18035303	20	30~50	40188391	4	16	72003510	12	7
18035600	20	30~50	40188392	4	4	72003513	12	10
18035709	20	30~50	40188393	4	19	72003518	12	11
18036707	20	30~50	40188394	4	1	72003537	14	33
18036806	20	30~50	40188395	4	20	72003537	18	24
18036905	20	30~50	40188397	4	15	72003542	10	28
18037002	20	30~50	40188398	4	3	72003543	10	34
18037101	20	30~50	40188399	12	4	72003544	10	23
18037200	20	30~50	40188400	14	15	72003545	10	10
18037309	20	30~50	40188405	18	17	72003547	10	19
18037408	20	30~50	40188406	18	18	72003556	14	27
18037507	20	30~50	40188407	16	11	72003557	14	30
18037606	20	30~50	40188408	16	10	72003558	10	33
18037705	20	30~50	40188409	16	13	72003559	14	29
18037804	20	30~50	40188410	16	12	72003560	10	24
18037903	20	30~50	40188415	6	13	72003563	16	7
18038000	20	30~50	40188419	4	12	72003564	16	6
18038109	22	30~50	40188420	6	12	72003568	10	12
18038208	22	30~50	40188421	8	11	72003582	16	9
18038307	22	30~50	40188423	8	1	72003587	16	8
40000916	20	19	40188457	24	2	72003594	12	13
40023635	2	19	40188496	8	7	72003596	14	28
40023635	10	29	40188815	18	19	72003636	12	12
40023644	10	21	40188817	18	20	72004393	4	18
40032231	2	21	40188819	8	12	72004663	10	4
40034185	2	7	40189346	24	5	72004664	10	1
40034186	2	1	40189347	18	42	72004666	10	2
40035314	12	5	40191197	8	15	72004926	14	18
40058949	18	43	40191783	16	14	72004927	14	19
40058951	16	15	40191836	14	37	72004928	14	17
40091335	18	16	40191837	14	38	72005035	14	9
40094560	18	40	40191838	14	3	72005036	14	13
40116216	18	31	40192536	10	17	72005037	14	12
40116219	18	26	40195402	16	5	72005040	14	14
40184155	20	1	72001379	10	14	B1625220000	2	20
40187817	12	20	72002283	8	13	B185351200E	2	23
40187818	12	6	72002289	8	14	B2304205000	2	15
40188380	10	3	72002351	6	10	B2516215000	2	22
40188381	8	2	72002352	6	11	B2518215000	2	10
40188382	4	17	72002355	6	9	B2518215A00	2	12
40188386	18	23	72002395	18	27	B2527215000	2	11
40188387	4	21	72002482	12	21	B2530215000	2	26

NUMERICAL INDEX OF PARTS

PART NO	PAGE	REF NO.	PART NO	PAGE	REF NO.	PART NO	PAGE	REF NO.
B2548215000	2	17	PJ301060003	20	13	SM0040601SC	16	4
B3012816000	2	14	PJ301065201	20	18	SM1040801SC	8	5
BT0400251EB	20	21	PJ304040504	14	4	SM1062052TP	18	34
BT0600401EB	20	22	PJ304040504	20	4	SM4041655SP	8	4
CM300200002	18	38	PJ304060502	20	7	SM6040602TP	14	11
CM301300001	18	39	PJ308060003	20	3	SM6040650TP	2	25
CM600100101	18	41	PV1502060A0	20	9	SM6040802TP	4	7
CS079073BSH	2	9	PV150209300	20	20	SM6041202TP	12	1
CS0800816SH	14	16	PV150213000	20	16	SM6050800SP	10	20
EA9500B0100	20	28	PV200202000	20	27	SM6051000SP	2	2
EA9500B0100	24	3	PX050501000	20	23	SM6061202TN	18	10
EA9500B0200	20	29	PX055104000	20	17	SM6061202TP	8	3
G1015192000	18	33	RC0931011KP	10	32	SM6063502TN	6	4
G1016192000	18	32	RE0300000K0	2	18	SM6063502TN	18	13
G5138172000	10	36	RE0300000K0	10	16	SM6082002TP	6	1
G5205172000	14	31	RE0400000K0	14	7	SM6086002TN	18	4
G6113875000	8	10	SB110002400	10	18	SM6450610TP	4	6
G6113875000	24	4	SB708000100	14	26	SM6450610TP	12	3
G611387500A	10	35	SL4030691SC	20	8	SM6450610TP	14	1
G611387500A	24	1	SL4032081SC	20	6	SM8030412TP	10	26
G7515870000	18	22	SL4033091SC	20	2	SM8040412TP	10	5
G7524870000	6	8	SL4040691SC	14	36	SM8040802TP	10	9
G7524870000	18	21	SL4040691SC	20	15	SM8050812TP	8	8
G7525870000	18	25	SL4041081SC	18	1	SS8110422TP	2	16
HA005820000	18	15	SL4041091SC	18	35	SS8110520TP	14	8
HX00364000E	20	26	SL4051091SC	14	35	ST9053511SR	4	13
NM6030002SF	14	23	SL4051091SC	20	5	ST9053511SR	14	34
NM6040001SC	10	8	SL6032092TN	14	24	ST9053511SR	18	8
NM6050001SD	8	9	SL6040892TN	10	30	ST9053511SR	20	10
NM6050003SC	2	27	SL6040892TN	16	3	WP0320501SE	14	25
NM6060001SC	18	29	SL6041092TN	10	6	WP0330816SF	10	11
NM6060001SD	10	27	SL6041092TN	14	20	WP0431005SP	2	24
NM6060003SC	2	3	SL6041092TN	18	2	WP0450801SP	4	5
NM6080001SC	12	15	SL6041292TN	10	22	WP0450801SP	12	2
NM6080001SC	14	6	SL6051292TN	12	9	WP0450801SP	14	2
NM6080001SC	18	5	SL6051292TN	16	2	WP0450801SP	16	1
PA1601017A0	14	10	SL6051292TN	18	3	WP0450826SC	8	6
PA1602510A0	2	6	SL6051292TN	20	12	WP0501046SC	4	8
PC010508000	10	13	SL6052592TN	18	12	WP0501046SC	14	32
PC012401000	20	24	SL6061492TN	4	9	WP0501046SC	18	7
PC015108000	12	16	SL6061692TN	6	6	WP0501046SC	20	11
PC0205010A0	20	14	SL6061692TN	12	8	WP0550800SP	10	15
PJ032052503	2	8	SL6084092TN	12	17	WP0611626SP	6	7
PJ046039001	14	22	SL9061693SE	4	10	WP0612056SD	4	14
PJ301040001	20	25	SL9082093SE	18	37	WP0612056SD	12	14

NUMERICAL INDEX OF PARTS

PART NO	PAGE	REF NO.
WP0621016SD	14	5
WP0641600SC	6	5
WP0641600SC	18	14
WP0641601SC	18	30
WP0650876SD	2	4
WP0651001SC	18	11
WP0820816SD	2	13
WP0841601SC	12	19
WP0850002SP	18	6
WP0852086SC	6	3
WS0610002KN	18	28
WS0651310KP	18	9
WS0822010KP	6	2