

MODEL : LU-2828ES-7

List No : 1704-00

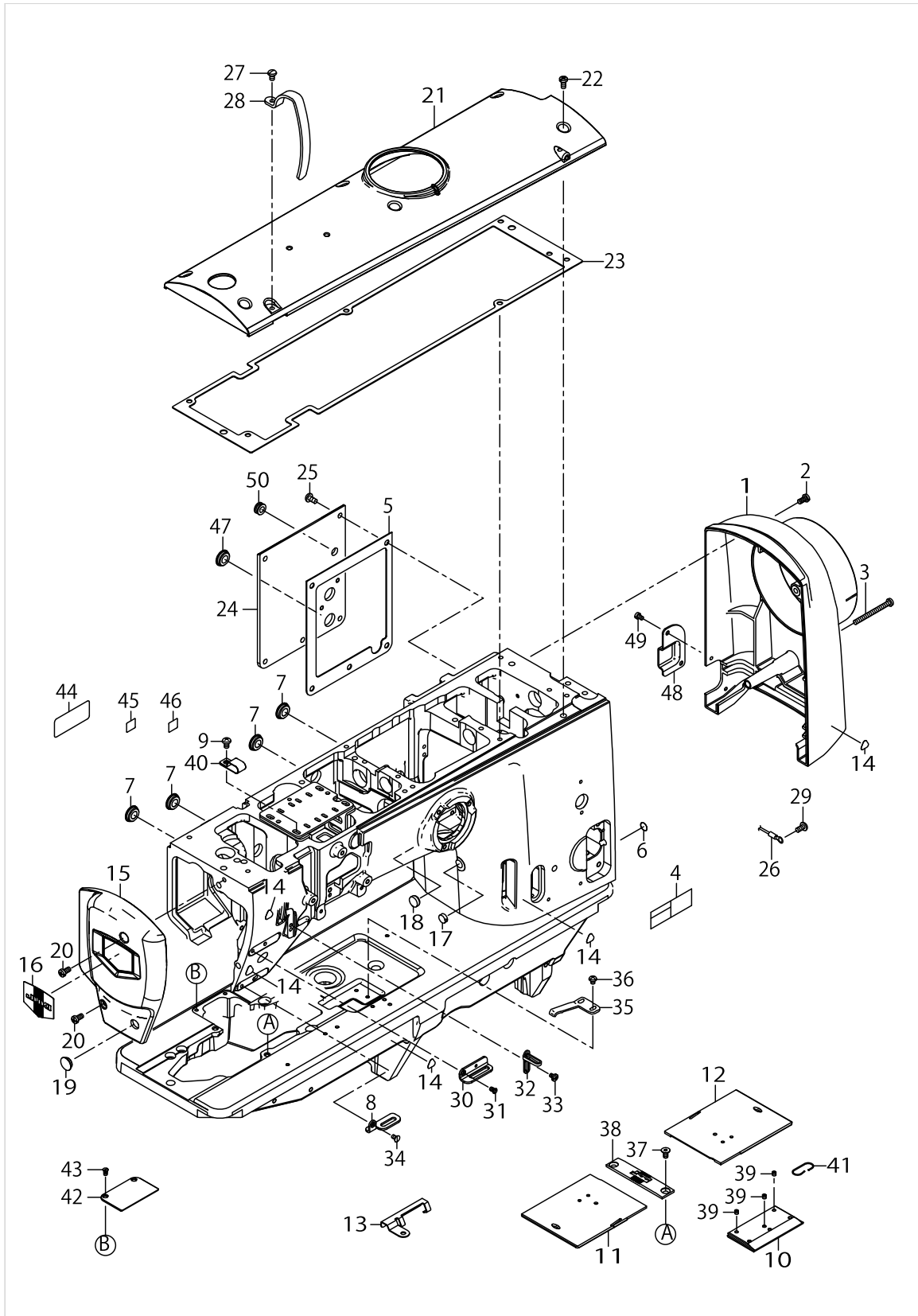
PARTS LIST

Published:09/10/2017

CONTENTS

FRAME & MISCELLANEOUS COVER COMPONENTS	1
MAIN SHAFT & THREAD TAKE-UP LEVER COMPONENTS	5
NEEDLE BAR COMPONENTS	7
LOWER SHAFT COMPONENTS.....	9
OPENER COMPONENTS	13
HOOK COMPONENTS.....	15
UPPER FEED COMPONENTS.....	17
HAND LIFTER & AUTO LIFTER COMPONENTS.....	23
LOWER FEED COMPONENTS	25
FEED ADJUST COMPONENTS.....	31
DL COMPONENTS.....	35
AUTO BT COMPONENTS	37
6-RANGE SW COMPONENTS.....	39
SPEED ADJUST COMPONENTS	41
THREAD CUTTING COMPONENTS.....	43
THREAD TENSION COMPONENTS	47
TENSION RELEASE COMPONENTS	49
PNEUMATIC COMPONENTS	51
NEEDLE THREAD CLAMP COMPONENTS	53
BOBBIN WINDER COMPONENTS.....	55
LUBRICATION COMPONENTS	57
THREAD STAND COMPONENTS.....	61
BOTTOM COVER COMPONENTS.....	63
ACCESSORIES PARTS COMPONENTS	65
HOW TO MAKE USE OF THIS PARTS LIST	67

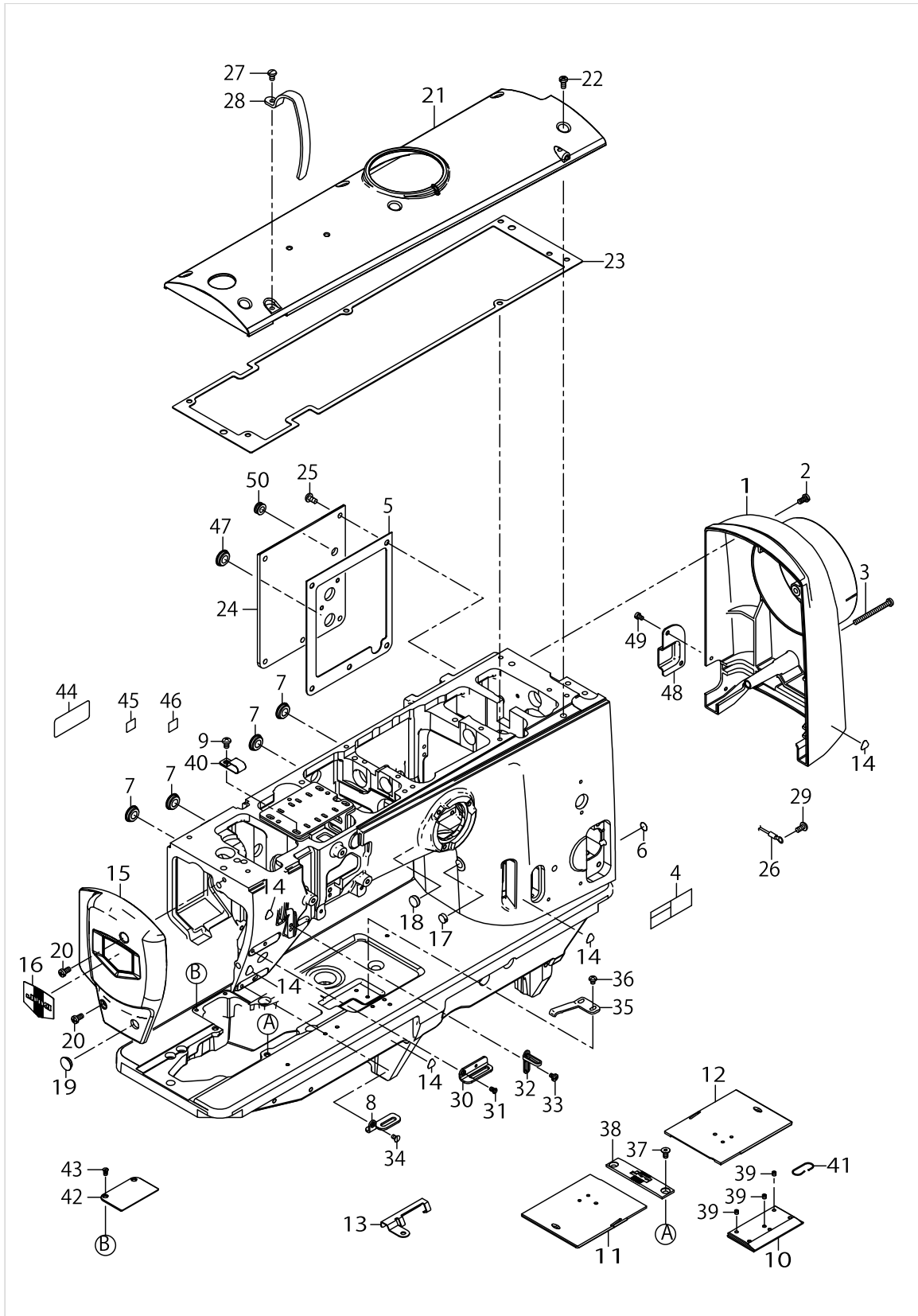
FRAME & MISCELLANEOUS COVER COMPONENTS



FRAME & MISCELLANEOUS COVER COMPONENTS

No.	Parts No.	Parts name	Remarks	Level	Cons	Qty
1	40189273	MOTOR_COVER_2828ES				1
2	SM4051055SP	SCREW				2
3	SM4055501SC	SCREW_M5X0.8_L=55				1
4	40102261	SAFETY_LABEL_S				1
5	40151799	WINDOW_PLATE_PACKING				1
6	22901805	GROUND_MARK				1
7	TA1650406R0	PRUG				4
8	40169642	THREAD_GUIDE_B			☆	1
9	SM4050855SP	SCREW				2
10	40147918	SLIDE_PLATE_FRONT				1
11	40127056	SLIDE_PLATE_2860R				1
12	40147944	SLIDE_PLATE_2810R				1
13	40134805	CABLE HOLDER				1
14	CM300200001	ATTENTION_SEAL				5
15	40130704	FACE_PLATE				1
16	22902506	FACE_PLATE				1
17	TA1030402R0	RUBBER_PLUG_D=10.3_L=4				1
18	TA1270502R0	RUBBER_PLUG				1
19	TA1250406R0	RUBBER_PLUG_D=12.5_L=4				1
20	SM4051055SP	SCREW				2
21	40130706	TOP_COVER				1
22	SM4051055SP	SCREW				6
23	40147919	TOP_COVER_PACKING				1
24	40149040	APERTURE_COVER				1
25	SM4051055SP	SCREW				5
26	22951552	GROUND_WIRE_ASM.				1
27	SM4040855SP	SCREW				1
28	40134834	THREAD_TAKE_UP_LEVER_COVER				1
29	SM4051055SP	SCREW				1
30	40169689	THREAD_GUIDE_A			☆	1
31	SM1040750TP	SCREW_M4_L=7				1
32	40126221	THREAD_GUIDE			☆	1
33	SM4040655SP	SCREW_M4_L=6				1
34	SM1040750TP	SCREW_M4_L=7				1
35	B1111563000	BED_SLIDE_SPRING				1
36	SM4040655SP	SCREW_M4_L=6				2
37	SM1051052TN	PLATE_SCREW_M5_L=10				2
38	40147939	THROAT_PLATE				1
39	SM8040412TP	SET_SCREW_M4_L=4				3
40	D2112555B00	CORD HOLDER_LARGE				3
41	B111105100B	SPRING				1
42	40131625	AUXILIARY_COVER				1
43	SM1040750TP	SCREW_M4_L=7				2
44	40094561	SEWING_MACHINE_LABEL_(EU)	FOR JE			1
45	CM600100101	WEEE_MARK_LABEL_S	FOR JE			1
46	40150131	EAC_MARK_LABEL_S	FOR JE			1
47	TA1650406R0	PRUG				1

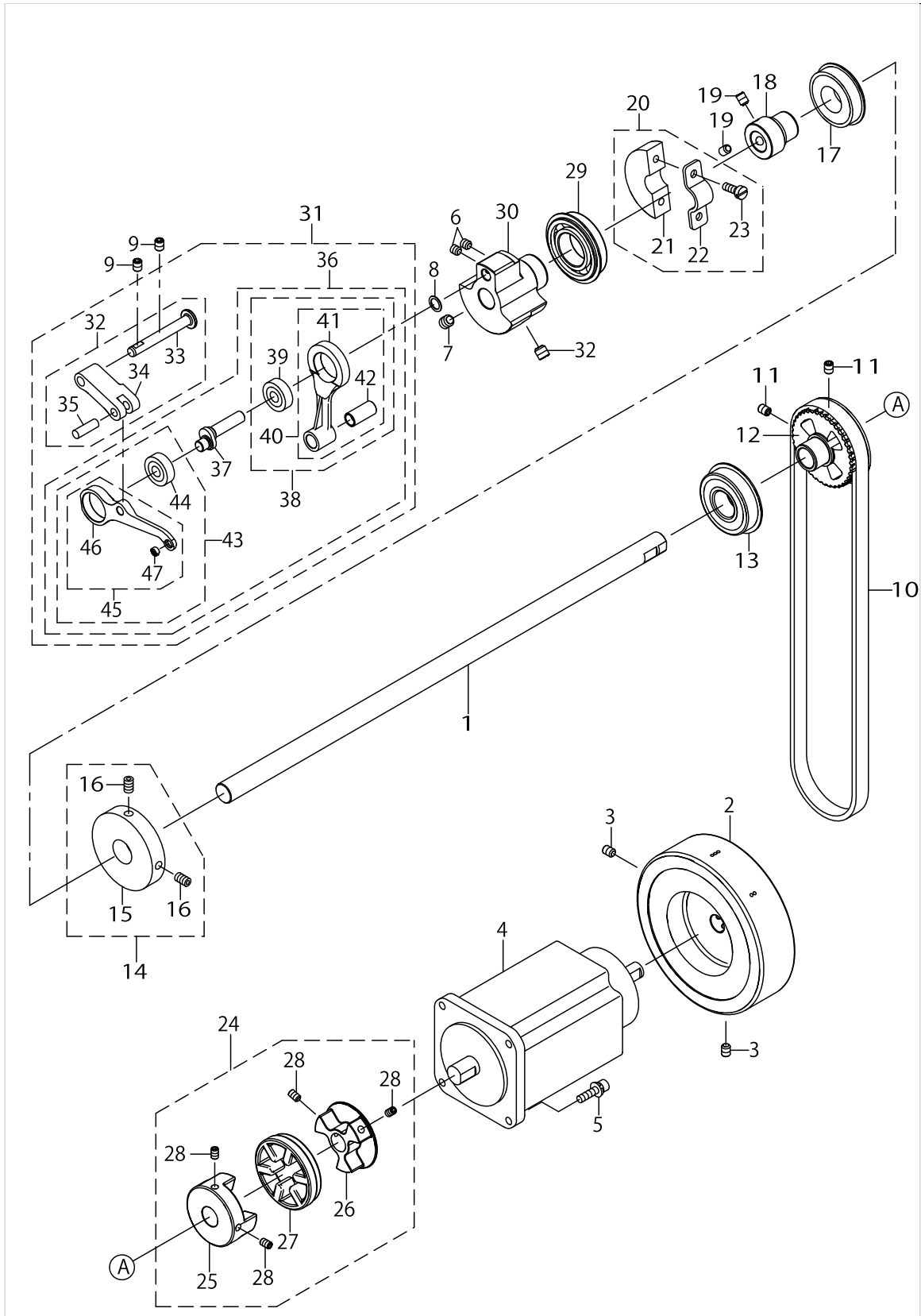
FRAME & MISCELLANEOUS COVER COMPONENTS



FRAME & MISCELLANEOUS COVER COMPONENTS

No.	Parts No.	Parts name	Remarks	Level	Cons	Qty
48	40149041	ADDITIONAL_MOTOR_COVER_2820				1
49	SM6040600SP	SCREW_M4_L=6				2
50	HX00055000E	RUBBER_BUSHING				1

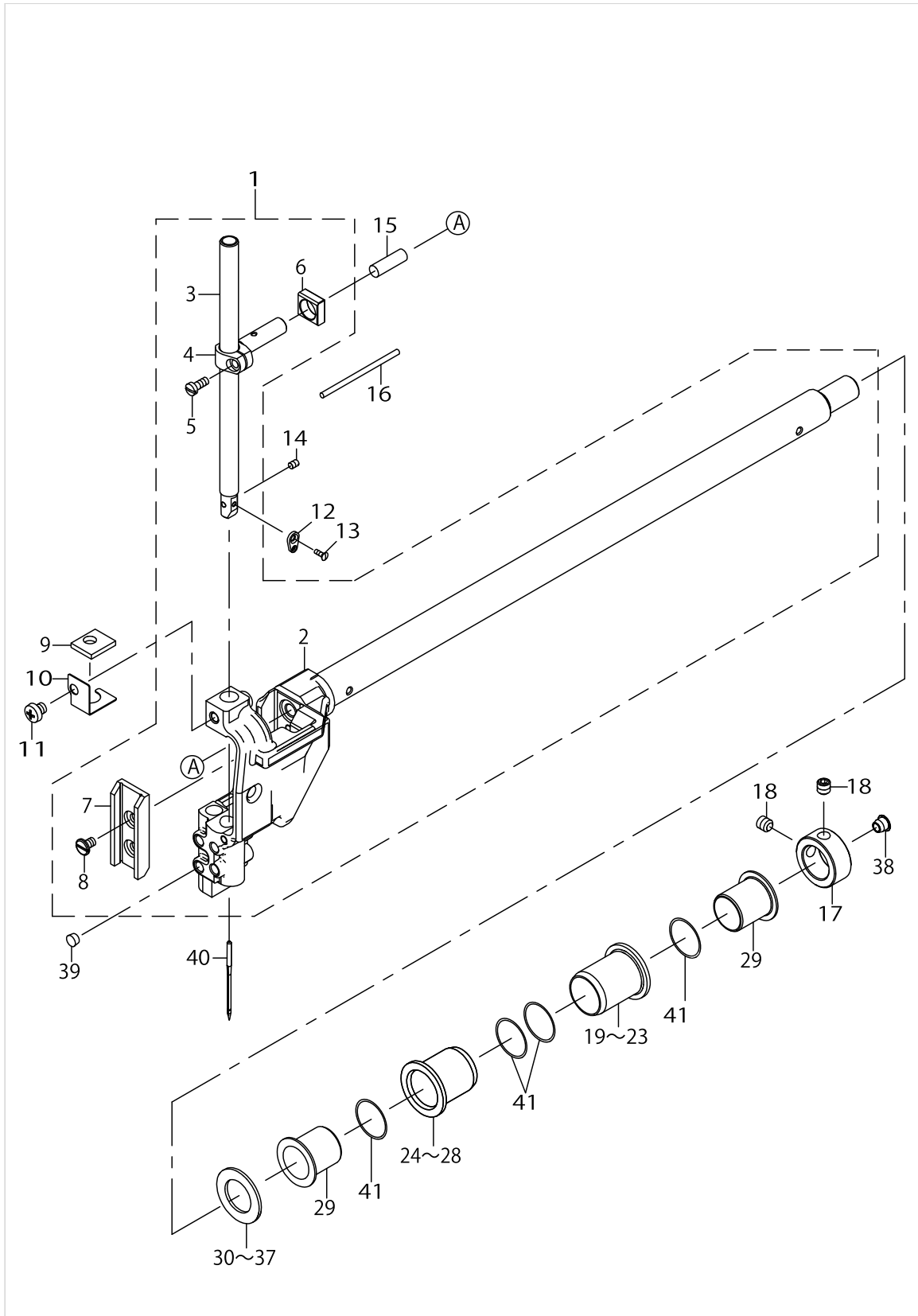
MAIN SHAFT & THREAD TAKE-UP LEVER COMPONENTS



MAIN SHAFT & THREAD TAKE-UP LEVER COMPONENTS

No.	Parts No.	Parts name	Remarks	Level	Cons	Qty
1	40112087	MAIN_SHAFT_DD				1
2	40169644	HAND_WHEEL				1
3	SM80608A2TP	SCREW M6 L=8				2
4	40169647	SERVO_MOTOR_800W				1
5	SL6052092TN	SCREW				4
6	SM8060612TP	SCREW M6 L=6				2
7	SM8080812TP	SCREW M8X8				2
8	WP0820516SP	WASHER 11.6X8.2X0.6				1
9	SM8060812TP	SCREW M6 L=8				2
10	40112274	TIMING_BELT			☆	1
11	SM80608A2TP	SCREW M6 L=8				2
12	40126321	SPROCKET_UPPER				1
13	40143088	BEARING				1
14	40010533	BTW_DRIVING_WHEEL_ASM.				1
15	40010534	BTW_DRIVING_WHEEL		*		1
16	40010535	DRIVING_WHEEL_SCREW		*		2
17	SB120001800	BEARING				1
18	23605207	MAIN SHAFT BEARING SUPPORT				1
19	SM80608A2TP	SCREW M6 L=8				2
20	40010437	CRANK_BALANCER_ASM				1
21	40010438	CRANK_BALANCER		*		1
22	40010439	CRANK_BALANCER_FIX_PLATE		*		1
23	40010440	CRANK_BALANCER_FIX_PLATE_SCREW		*		2
24	40112312	COUPLING_ASSY				1
25	40130277	HUB_L		*		1
26	40112106	HUB_R		*		1
27	40125950	SPIDER		*		1
28	SM8050812TP	SCREW M5X8		*		4
29	40143083	BEARING				1
30	40112091	COUNTER_WEIGHT				1
31	40182477	THREAD_TAKE_UP_COMP_L				1
32	40143077	TAKE_UP_CRANK_ASM		*		1
33	40011902	THREAD_TAKE_UP_CRANK_SHAFT		*		1
34	40125930	TAKE_UP_LEVER_CRANK		*		1
35	10721504	FEED ADJUSTING PIN		*		1
36	40182476	THREAD_TAKE_UP_ASM_L_B		*		1
37	40112092	NEEDLE_BAR_CRANK		*		1
38	40182475	NEEDLE_BAR_CRANK_ROD_COMP		*		1
39	SB108002400	BEARING		*		1
40	40182474	NEEDLE_BAR_CRANK_ROD_ASM		*		1
41	40181687	NEEDLE_BAR_CRANK_ROD		*		1
42	40112094	CRANK_ROD_BUSH		*		1
43	40160242	THREAD_TAKE_UP_ASM_L_A		*		1
44	SB108002400	BEARING		*		1
45	40134545	THREAD_TAKE_UP_ASM		*		1
46	40134532	THREAD_TAKE_UP		*		1
47	10546901	BUSH		*		1

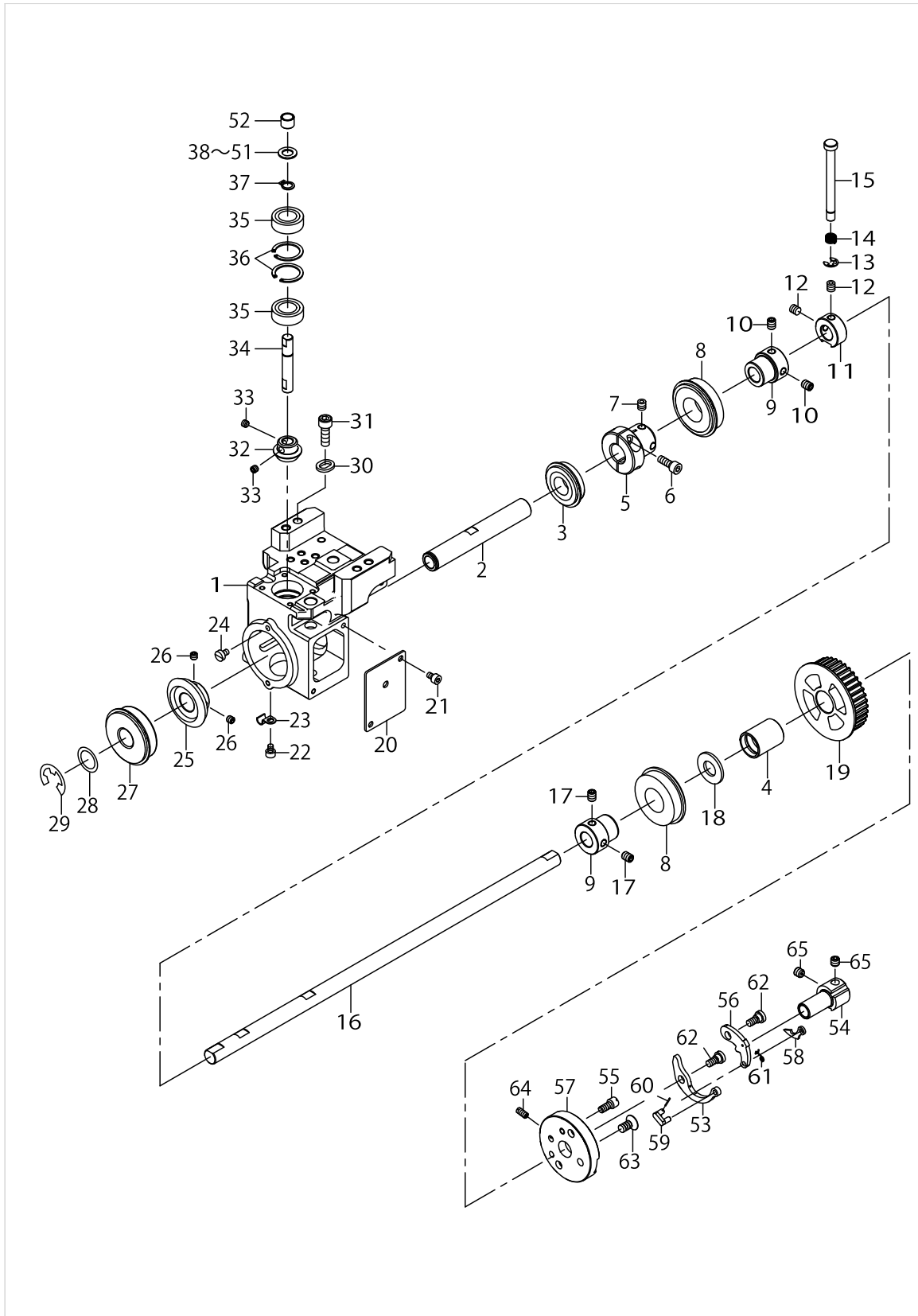
NEEDLE BAR COMPONENTS



NEEDLE BAR COMPONENTS

No.	Parts No.	Parts name	Remarks	Level	Cons	Qty
1	40169656	N_B_ROCKING_BASE_ASM_2800ES				1
2	40169659	N_B_ROCKING_BASE_ASM_ES		*		1
3	40169657	NEEDLE_BAR_2800ES		*		1
4	40169658	NEEDLE BAR CONNECTION		*		1
5	SS7090910TP	SCREW 9/64-40 L=8.5		*		1
6	40112152	NEEDLE_ROD_SQUARE_BLOCK		*		1
7	40127041	NEEDLE_BAR_GUIDE		*		1
8	SM6040650TP	SCREW		*		2
9	40112272	NEEDLE_BAR_FELT_E				1
10	40112270	FELT HOLDER				1
11	SM4050501SC	SCREW M5X0.8 L=5				1
12	40143221	NEEDLE_BAR_THREAD_GUIDE_2810A				1
13	SS2060310SP	SCREW 3/32-56 L=3				1
14	SS8080410TP	SCREW 1/8-44 L=3.5				1
15	B1412051000	FELT				1
16	CQ252000000	COTTON OIL WICK D=2.5				0.05
17	CS1701181TP	THRUST COLLAR D=17 W=11				1
18	SM8060612TP	SCREW M6 L=6				2
19	40171403	NEE_BAR_ROCKING_SHAFT_B_BUSHING	SELECTIVE PARTS			1
20	40169649	NEE_BAR_ROCKING_SHAFT_B_BUSHING	SELECTIVE PARTS			1
21	40169650	NEE_BAR_ROCKING_SHAFT_B_BUSHING	SELECTIVE PARTS			1
22	40174557	NEE_BAR_ROCKING_SHAFT_B_BUSHING	SELECTIVE PARTS			1
23	40174558	NEE_BAR_ROCKING_SHAFT_B_BUSHING	SELECTIVE PARTS			1
24	40169652	NEE_BAR_ROCKING_SHAFT_F_BUSHING	SELECTIVE PARTS			1
25	40169653	NEE_BAR_ROCKING_SHAFT_F_BUSHING	SELECTIVE PARTS			1
26	40169654	NEE_BAR_ROCKING_SHAFT_F_BUSHING	SELECTIVE PARTS			1
27	40174559	NEE_BAR_ROCKING_SHAFT_F_BUSHING	SELECTIVE PARTS			1
28	40174560	NEE_BAR_ROCKING_SHAFT_F_BUSHING	SELECTIVE PARTS			1
29	40169651	ROCKING_SHAFT_PLASTIC_BUSHING				2
30	B1438512B00	WASHER 17.1X28X1.5	SELECTIVE PARTS			1
31	22606206	SPACER Y	SELECTIVE PARTS			1
32	22606305	SPACER Z	SELECTIVE PARTS			1
33	22607600	SPACER A	SELECTIVE PARTS			1
34	22607709	SPACER B	SELECTIVE PARTS			1
35	22607808	SPACER D	SELECTIVE PARTS			1
36	22607907	SPACER E	SELECTIVE PARTS			1
37	22606404	SPACER F	SELECTIVE PARTS			1
38	TA0620504R0	CAP				1
39	TA0500301R0	PLUG 5X5.8 L=3				4
40	MC321001400	NEEDLE 134-35 #140			☆	1
41	40178188	O-RING				4

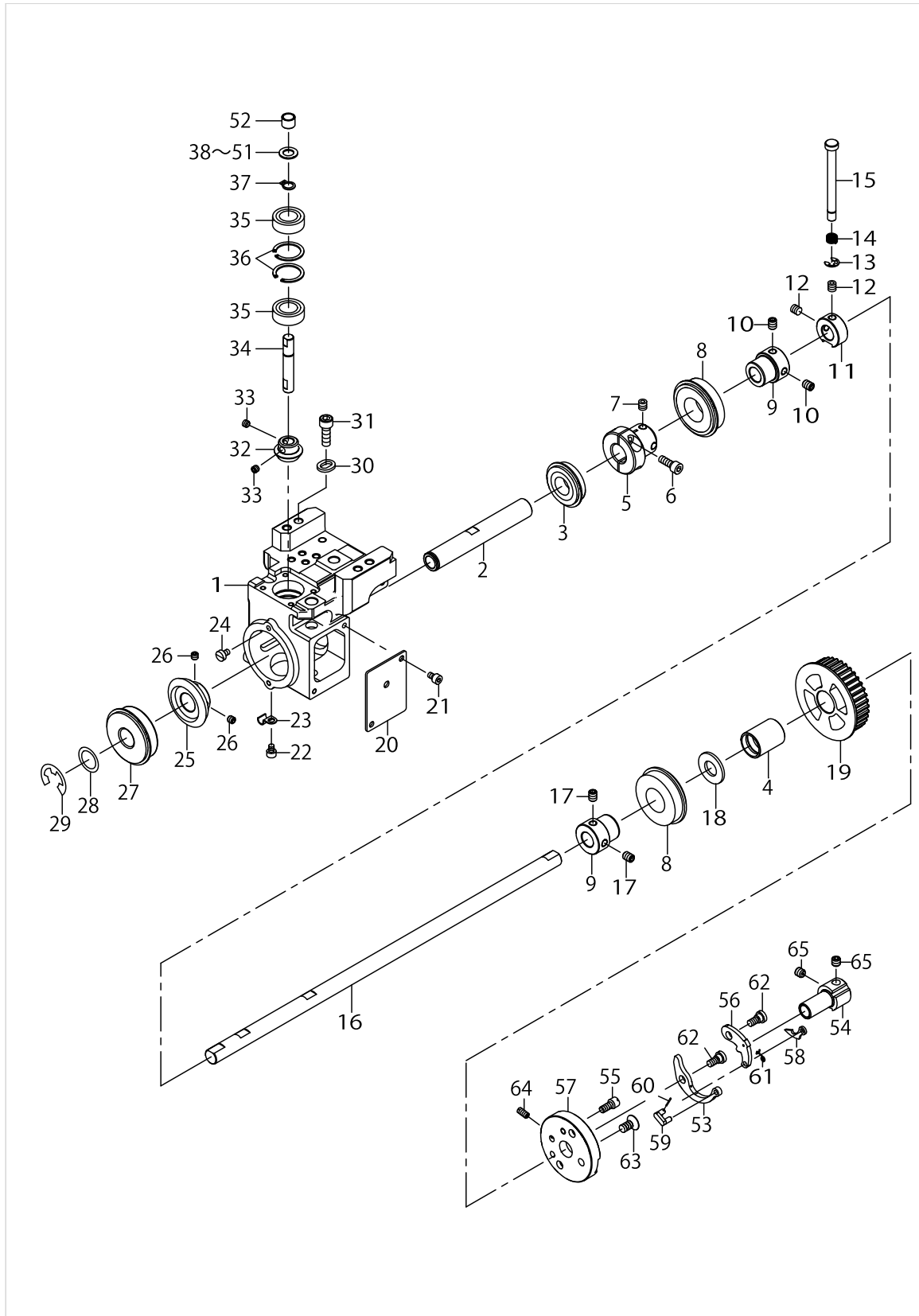
LOWER SHAFT COMPONENTS



LOWER SHAFT COMPONENTS

No.	Parts No.	Parts name	Remarks	Level	Cons	Qty
1	40189275	HOOK_SHAFT_BASE_RIGHT_TC_2828ES				1
2	40169662	LOWER_SHAFT_C				1
3	40143082	BEARING				1
4	40178330	SAFETY_BASE_BUSHING				1
5	40169664	CONNECTING_COLLAR				1
6	SM6051202TP	SCREW M5X0.8 L=12				2
7	SM80606A2TP	SCREW M6 L=6				2
8	SB120001800	BEARING				2
9	40169668	BEARING_COLLAR				2
10	SM8060812TP	SCREW M6 L=8				2
11	40169673	SAFETY CLUTCH DISC				1
12	SM80606A2TP	SCREW M6 L=6				2
13	RE0500000K0	E-RING				1
14	B1639051000	SPRING				1
15	40112240	SAFETY_REVERSE_BUTTON				1
16	40169667	LOWER_SHAFT				1
17	SM80606A2TP	SCREW M6 L=6				2
18	WP1252210SC	WASHER 12.5X25.6X2.2				1
19	40169671	LOWER_SHAFT_SPROCKET				1
20	40123340	HOOK_SHAFT_BASE_SIDE_PLATE				1
21	SM6040602TP	SCREW M4X0.7 L=6				2
22	SM6040502TP	SCREW M4X0.7 L=5				1
23	B3538112000	OIL RETURN TUBE HOLDER				1
24	SM6040650TP	SCREW				2
25	40126372	LOWER_SHAFT_GEAR				1
26	SM80506A2TP	SCREW M5 L=6				2
27	40143084	BUSHING				1
28	D1231555B00	WASHER				1
29	RE1200000K0	E-RING 12				1
30	40139043	HOOK_SHAFT_BASE_WASHER_2810				2
31	SM6061802TP	SCREW M6 L=18				2
32	40169666	HOOK_SHAFT_GEAR				1
33	SM8050412TP	SCREW M5 L=4				2
34	40169665	HOOK_SHAFT				1
35	SB108000600	BEARING				2
36	RC2400002KP	C-RING 24 (25.9)				2
37	RC0740816K0	C-RING 8 (7.4)				1
38	B255728000A	WASHER FOR DRIVING ARM	SELECTIVE PARTS			1
39	B255728000B	WASHER	SELECTIVE PARTS			1
40	B255728000C	WASHER	SELECTIVE PARTS			1
41	B255728000D	WASHER D	SELECTIVE PARTS			1
42	B255728000E	WASHER	SELECTIVE PARTS			1
43	40138418	WASHER_T=1.3	SELECTIVE PARTS			1
44	40138419	WASHER_T=1.4	SELECTIVE PARTS			1
45	40138420	WASHER_T=1.5	SELECTIVE PARTS			1
46	40138421	WASHER_T=1.6	SELECTIVE PARTS			1
47	40138422	WASHER_T=1.7	SELECTIVE PARTS			1

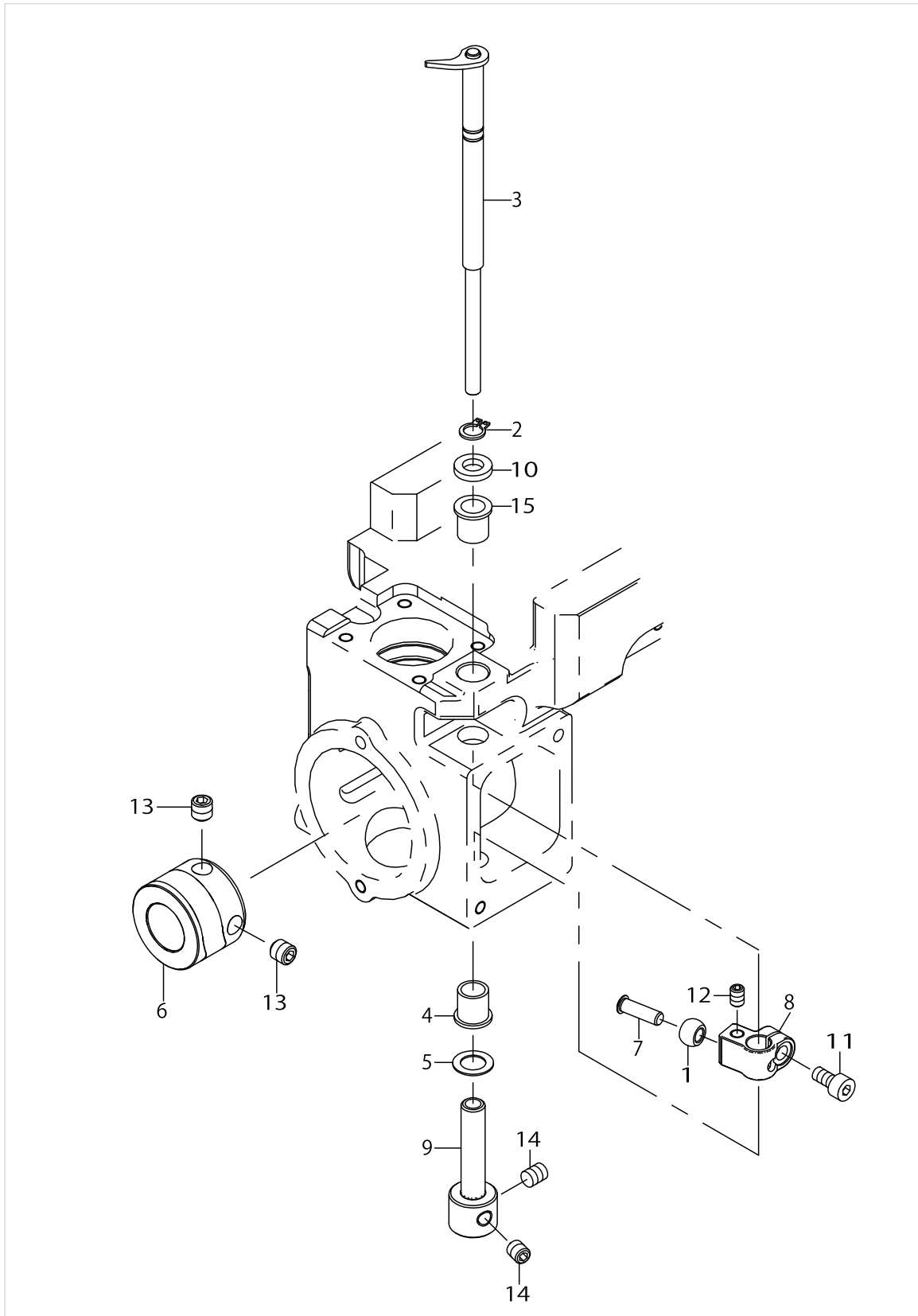
LOWER SHAFT COMPONENTS



LOWER SHAFT COMPONENTS

No.	Parts No.	Parts name	Remarks	Level	Cons	Qty
48	40138423	WASHER_T=1.8	SELECTIVE PARTS			1
49	40143185	WASHER_T=0.5	SELECTIVE PARTS			1
50	40143188	WASHER_T=0.6	SELECTIVE PARTS			1
51	40143581	WASHER_T=0.7	SELECTIVE PARTS			1
52	40126382	HOOK_SHAFT_COLLAR				1
53	21387709	SAFETY CLUTCH SPRING				1
54	40176783	SAFETY BASE				1
55	21387907	ADJUSTING PIN (1.2)				1
56	40169669	SAFETY_CLUTCH_HOOK				1
57	40169672	CLUTCH_BASE				1
58	B1308055000	SAFETY CLUTCH COUNTER-HOOK				1
59	B1310055000	SAFETY CLUTCH SMALL LINK				1
60	B1314055000	SAFETY CLUTCH SMALL LINK PIN				1
61	40113224	COUNTER HOOK SPRING				1
62	SD0640322TP	SHOULDER SCREW D=6.35 H=3.2				2
63	SM1061201SN	SCREW M6 L=12				2
64	SS8111010TP	SCREW 11/64-40 L=9.5				1
65	SM80606A2TP	SCREW M6 L=6				2

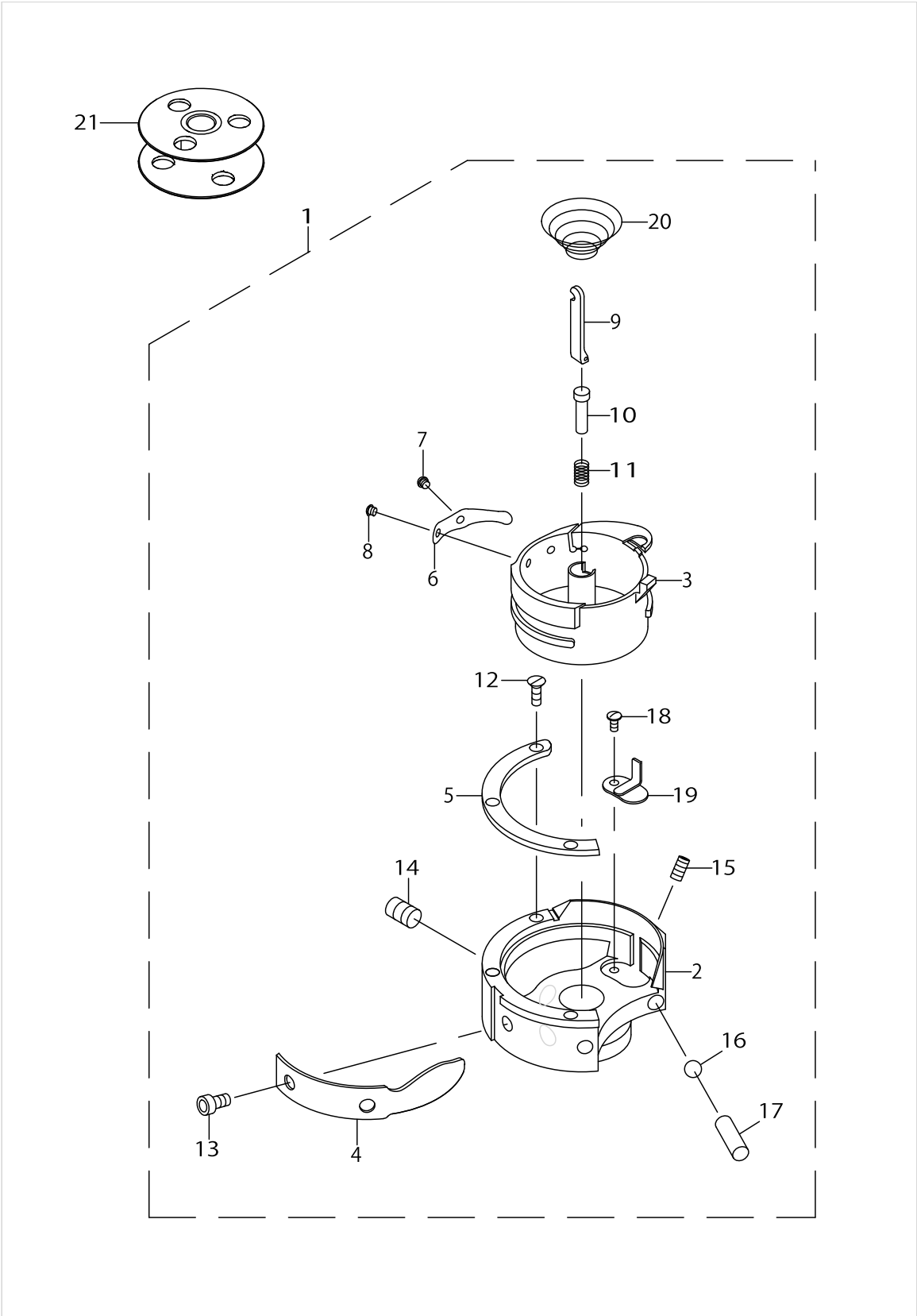
OPENNER COMPONENTS



OPENER COMPONENTS

No.	Parts No.	Parts name	Remarks	Level	Cons	Qty
1	40126351	OPENER_CAM_ROLLER				1
2	RC0560711KP	RETAINING_RING				1
3	40147915	OPENER_ASM_XXL			☆	1
4	40135473	METAL				1
5	WP0740516SP	WASHER_7.4X11.8X0.5				1
6	40126391	OPENER_CAM_R				1
7	40126360	OPENER_CAM_ROLLAR_SHAFT				1
8	40135475	OPENER_DRIVING_ARM				1
9	40135472	JUNCTION_SHAFT_COLLAR				1
10	WP0612066SP	WASHER_6.1X11X2				1
11	SM6040802TP	SCREW_M4X0.7_L=8				1
12	SM8040612TP	SCREW_M4_L=6				1
13	SM8060612TP	SCREW_M6_L=6				2
14	SM8050612TP	SCREW_M5X6				2
15	40112252	OPENER_METAL				1

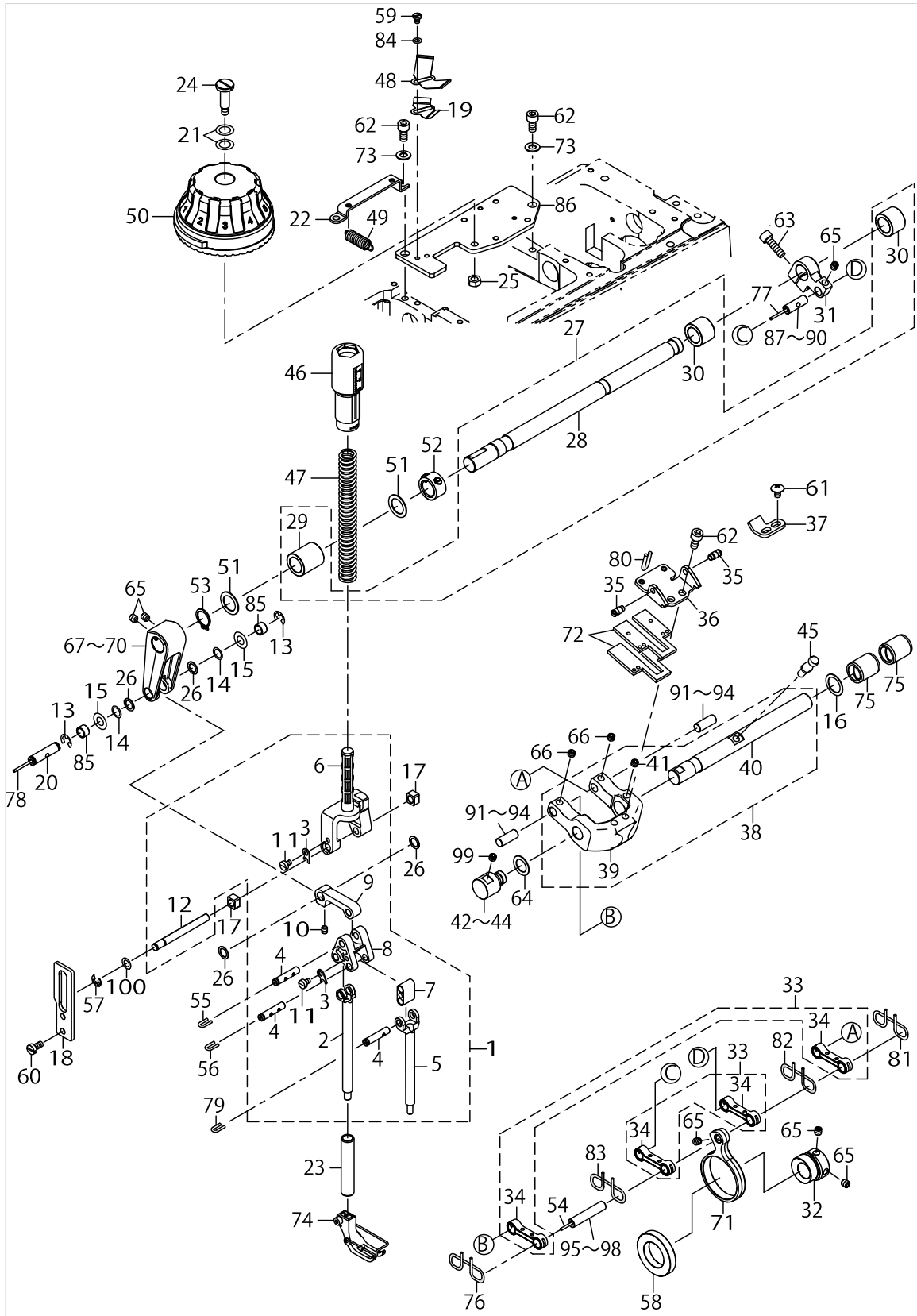
HOOK COMPONENTS



HOOK COMPONENTS

No.	Parts No.	Parts name	Remarks	Level	Cons	Qty
1	40147912	TRIM_HOOK_ASM_XXL_ST			☆	1
2	40149030	OUTER_HOOK		*		1
3	40149047	INNER_HOOK		*		1
4	40149032	NEEDLE HOLDER		*		1
5	40149033	INNER_HOOK_HOLDER		*		1
6	40079898	TENTION_SPRING		*		1
7	40079899	ADJUSTING_SCREW		*		1
8	40079900	TENTION_SPRING_SETSCREW		*		1
9	40149034	BOBBIN_PRESSER		*		1
10	40079902	PRESSER_LIFTER		*		1
11	40079903	PRESSER_LIFTER_SPRING		*		1
12	40149035	INNER_HOOK_HOLDER_SETSCREW		*		3
13	40149036	NEEDLE HOLDER_SETSCREW		*		2
14	40075542	OUTER_HOOK_SETSCREW		*		2
15	40079909	NEEDLE HOLDER_ADJUSTING_SCREW		*		1
16	40148037	BALL		*		1
17	40149037	SLIDE_PIN		*		1
18	40075547	OIL_COVER_SETSCREW		*		1
19	40075548	OIL_COVER		*		1
20	40079912	IDLING_PRIVENTION_SPRING		*		1
21	40147913	BOBBIN_XXL			☆	1

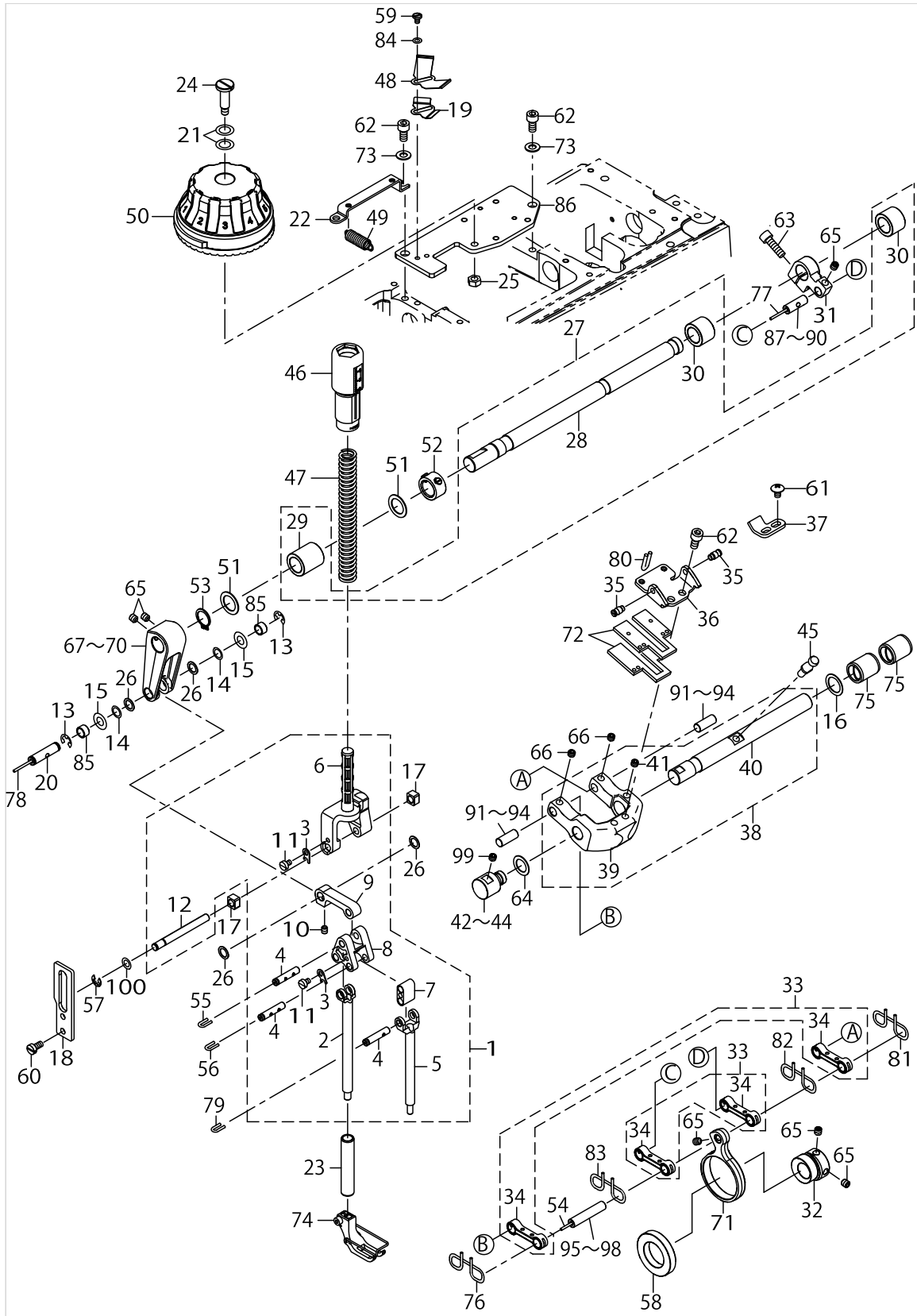
UPPER FEED COMPONENTS



UPPER FEED COMPONENTS

No.	Parts No.	Parts name	Remarks	Level	Cons	Qty
1	40169674	UPPER_FEED_F_ASM_E				1
2	40169678	PRESSURE_BAR_E		*		1
3	40178095	TRIANGLE_LEVER_SHAFT_STOPPER		*		2
4	40169675	CONNECTION_PIN		*		3
5	40169676	WALKING_BAR_E		*		1
6	40178169	SPRING_RECEIVING_E_ASM		*		1
7	40176628	WALKING BAR DRIVING LINK		*		1
8	40178171	TRIANGULAR_LEVER		*		1
9	40125854	UPPER_FEED_LINK_A		*		1
10	SM8050612TP	SCREW M5X6		*		1
11	SM6040650TP	SCREW		*		2
12	40169677	PRESSURE_BAR_GUIDE_SHAFT		*		1
13	RE0600000K0	E-RING 6				2
14	WP0820516SP	WASHER 11.6X8.2X0.6				2
15	B1223771000	NEEDLE ROD CRANK WASHER				2
16	40169681	UF_CHANGE_BASE_SHAFT_WASHER				1
17	40090058	SLIDE BLOCK				2
18	40125943	PRESSER ROD GUIDE				1
19	40154199	LEAF_SPRING_ADJUSTING_PLATE				1
20	40173071	UPPER_FEED_FRONT_ARM_PIN				1
21	40023627	PRESSER PLATE SHEET WASHER				2
22	40125867	SPRING_HOOK				1
23	40171574	PRESSER_BAR_BUSHING				1
24	SD0802126TP	SHOULDER SCREW D=8 H=21.2				1
25	NM6060001SD	NUT M6X1 TYPE1				1
26	E2613700000	WASHER				4
27	40123319	UPPER_FEED_SHAFT_ASM				1
28	40123262	UPPER_FEED_SHAFT		*		1
29	40123320	UPPER_FEED_SHAFT_METAL_F		*		1
30	40123321	UPPER_FEED_SHAFT_METAL_R		*		2
31	40126160	UPPER_FEED_REAR_ARM				1
32	40126390	UPPER_FEED_CAM				1
33	40126338	CONNECTION_LINK_ASM				2
34	40126223	CONNECTION_LINK		*		2
35	40038494	THREAD_BIND_ARM_SPRING RAC				2
36	40126269	CHANGE_BASE_SPRING_RACK				1
37	40126264	CHANGE_BASE_STOPPER				1
38	40169679	UPPER_FEED_CHANGE_BASE_ASM				1
39	40123414	UPPER_FEED_CHANGE_BASE		*		1
40	40169680	UF_CHANGE_BASE_SHAFT		*		1
41	SM80608A2TP	SCREW M6 L=8		*		1
42	40145548	UF_CHANGE_BASE_SUPPORT_PIN_A	SELECTIVE PARTS			1
43	40145549	UF_CHANGE_BASE_SUPPORT_PIN_B	SELECTIVE PARTS			1
44	40145550	UF_CHANGE_BASE_SUPPORT_PIN_C	SELECTIVE PARTS			1
45	40126374	VERTICAL_ADJUSTING_PIN				1
46	40125926	PRESSER_ADJUSTING_SCREW			☆	1
47	40178333	PRESSER_SPRING			☆	1

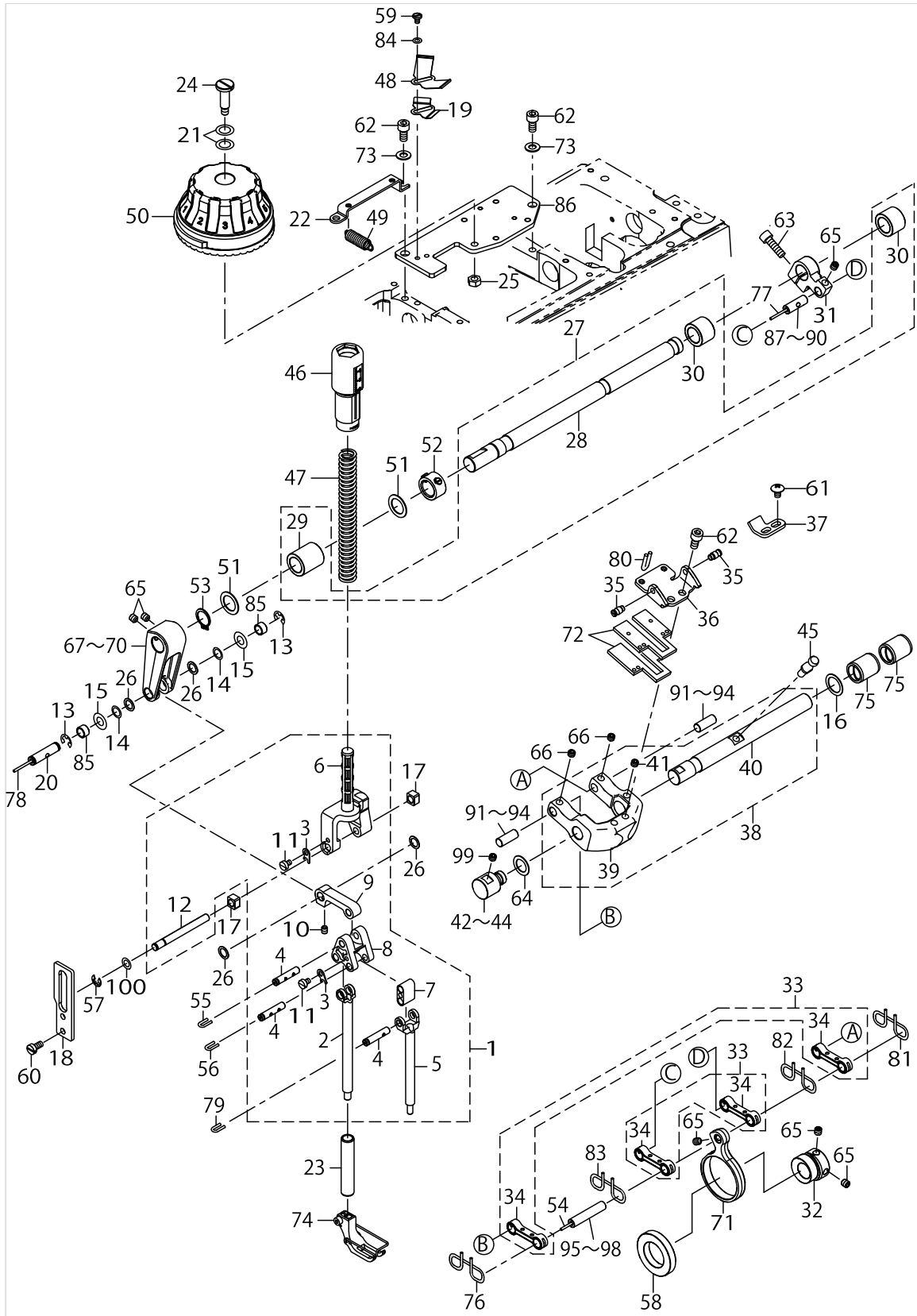
UPPER FEED COMPONENTS



UPPER FEED COMPONENTS

No.	Parts No.	Parts name	Remarks	Level	Cons	Qty
48	40112199	LEAF_SPRING				1
49	40126400	SPRING				2
50	40125850	VERTICAL_DIAL(VE)			☆	1
51	40169682	UPPER_FEED_SHAFT_PLASTIC_WASHER				2
52	22904155	MAIN SHAFT THRUST COLLAR ASM.				1
53	RC0150001KP	C-RING 15(13.8)				1
54	CQ202000000	COTTON OIL WICK D=2				0.5
55	CQ252000000	COTTON OIL WICK D=2.5				0.21
56	CQ252000000	COTTON OIL WICK D=2.5				0.24
57	40181045	E_RING				1
58	SB125000600	BEARING				1
59	SM6040650TP	SCREW				2
60	SM6051000SP	SCREW				2
61	SM0050801SC	SCREW				2
62	SM6061202TP	SCREW M6 L=12				5
63	SM6062002TP	SCREW M6 L=20				1
64	40169687	WASHER				1
65	SM80606A2TP	SCREW M6 L=6				6
66	SM8060552TP	SCREW M6 L=5				2
67	40169683	UPPER_FEED_FRONT_ARM_A	SELECTIVE PARTS			1
68	40169684	UPPER_FEED_FRONT_ARM_B	SELECTIVE PARTS			1
69	40174550	UPPER_FEED_FRONT_ARM_C	SELECTIVE PARTS			1
70	40174551	UPPER_FEED_FRONT_ARM_D	SELECTIVE PARTS			1
71	40125876	UPPER_FEED_CAM_ROD				1
72	40123345	FELT				2
73	WP0651001SC	WASHER				2
74	10712552	PRESSER FOOT ASM.				1
75	40169686	FEED ROCKER SHAFT BUSHING				2
76	CQ202000000	COTTON OIL WICK D=2				0.25
77	CQ202000000	COTTON OIL WICK D=2				0.02
78	CQ202000000	COTTON OIL WICK D=2				0.02
79	CQ252000000	COTTON OIL WICK D=2.5				0.048
80	CQ202000000	COTTON OIL WICK D=2				0.1
81	CQ202000000	COTTON OIL WICK D=2				0.25
82	CQ202000000	COTTON OIL WICK D=2				0.25
83	CQ202000000	COTTON OIL WICK D=2				0.25
84	WP0430800SD	WASHER M4				4
85	40169685	UPPER_FEED_FRONT_ARM_PLASTIC_BUSH				2
86	40182812	INSTALLING_PLATE				1
87	40149115	ROCKING_LINK_PIN_A	SELECTIVE PARTS			1
88	40149116	ROCKING_LINK_PIN_B	SELECTIVE PARTS			1
89	40149117	ROCKING_LINK_PIN_C	SELECTIVE PARTS			1
90	40149118	ROCKING_LINK_PIN_D	SELECTIVE PARTS			1
91	40149120	FEED_ADJUSTING_PIN_A	SELECTIVE PARTS			2
92	40149121	FEED_ADJUSTING_PIN_B	SELECTIVE PARTS			2
93	40149122	FEED_ADJUSTING_PIN_C	SELECTIVE PARTS			2
94	40149123	FEED_ADJUSTING_PIN_D	SELECTIVE PARTS			2

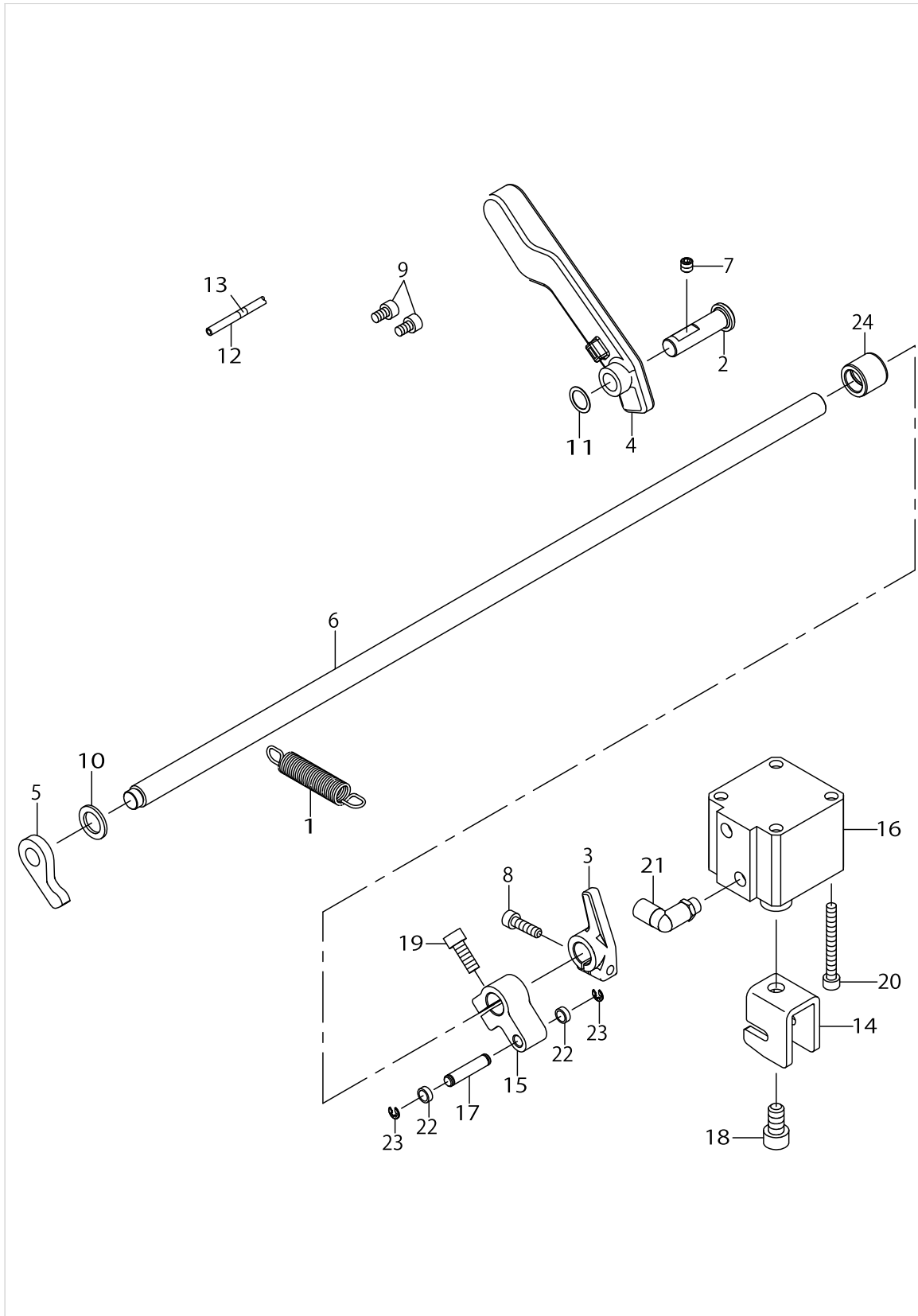
UPPER FEED COMPONENTS



UPPER FEED COMPONENTS

No.	Parts No.	Parts name	Remarks	Level	Cons	Qty
95	40149125	FEED_ROD_PIN_A	SELECTIVE PARTS			1
96	40149126	FEED_ROD_PIN_B	SELECTIVE PARTS			1
97	40149127	FEED_ROD_PIN_C	SELECTIVE PARTS			1
98	40149128	FEED_ROD_PIN_D	SELECTIVE PARTS			1
99	SM80608A2TP	SCREW M6 L=8				1
100	WP0650216KD	WASHER 6.5X11X0.2				1

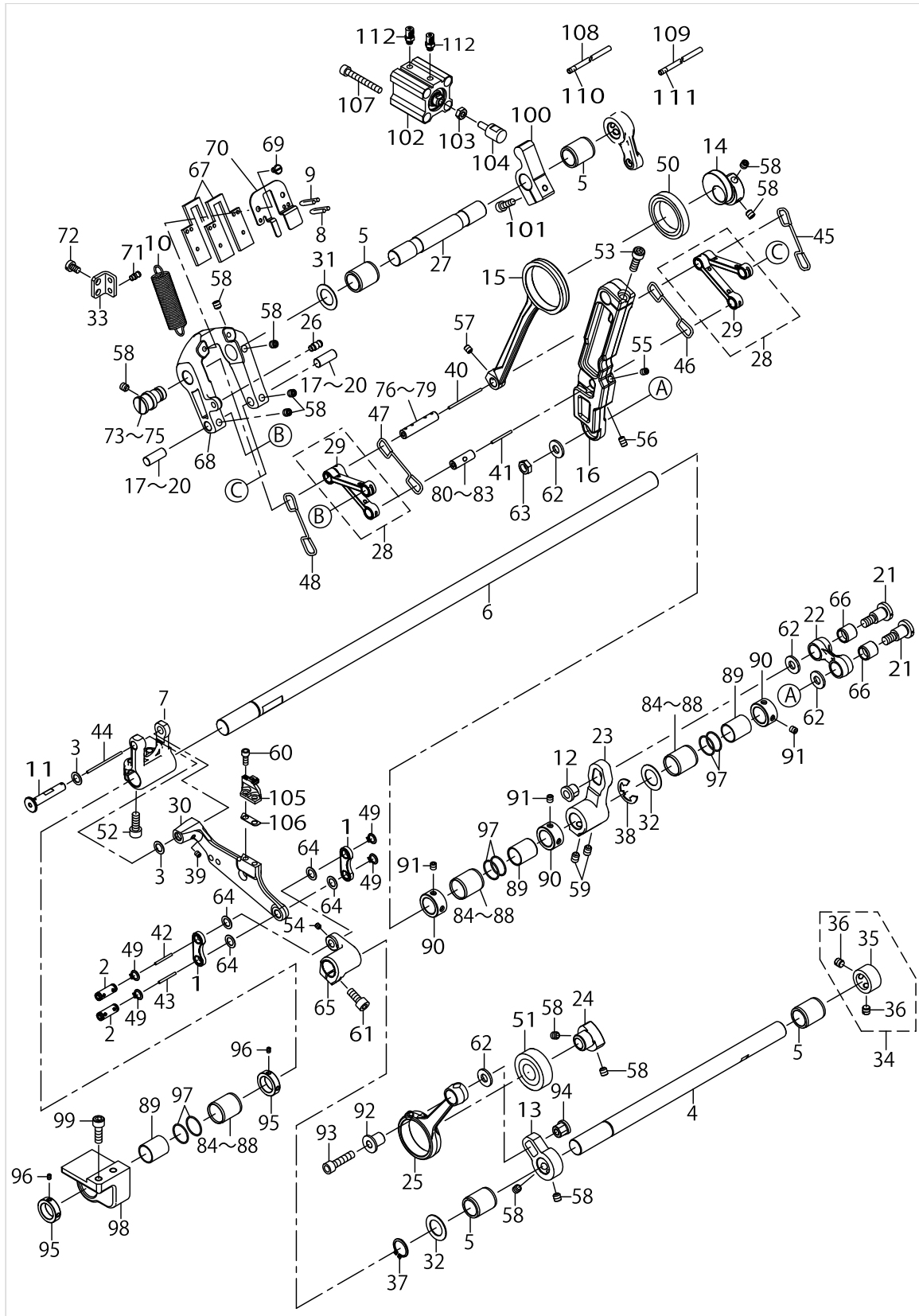
HAND LIFTER & AUTO LIFTER COMPONENTS



HAND LIFTER & AUTO LIFTER COMPONENTS

No.	Parts No.	Parts name	Remarks	Level	Cons	Qty
1	40126367	SPRING				1
2	40006716	THREAD_TRIMMER_SHAFT				1
3	40112184	LIFTER_LEVER_A				1
4	40126150	LIFTER_LEVER_B				1
5	40144283	LIFTER PLATE				1
6	40126364	LIFTER_SHAFT				1
7	SM8060612TP	SCREW M6 L=6				1
8	SM6051802TP	SCREW M5 L=18				1
9	SM6050802TP	SCREW M5X0.8 L=8				2
10	13409107	WASHER				1
11	WZ1052010KP	WAVED WASHER				1
12	BT0400251EB	URETHANE HOSE BLACK				0.62
13	18035303	WIRE MARK (4)				1
14	40112187	KNUCKLE_JOINT_A				1
15	40112188	LIFTING_ARM				1
16	PA400150200	AIR CYLINDER				1
17	22949101	ROLLER FULCRUM SHAFT				1
18	SM6081552TP	SCREW M8 L=15				1
19	SM6061602TP	SCREW M6 L=16				1
20	SM6054502TN	SCREW M5 L=45				4
21	PJ304045102	ELBOW UNION C				1
22	13951009	PRESSER FOOT ROLLER				2
23	RE0400000K0	E-RING 4				2
24	40086018	BUSHING_MAIN_FEED				1

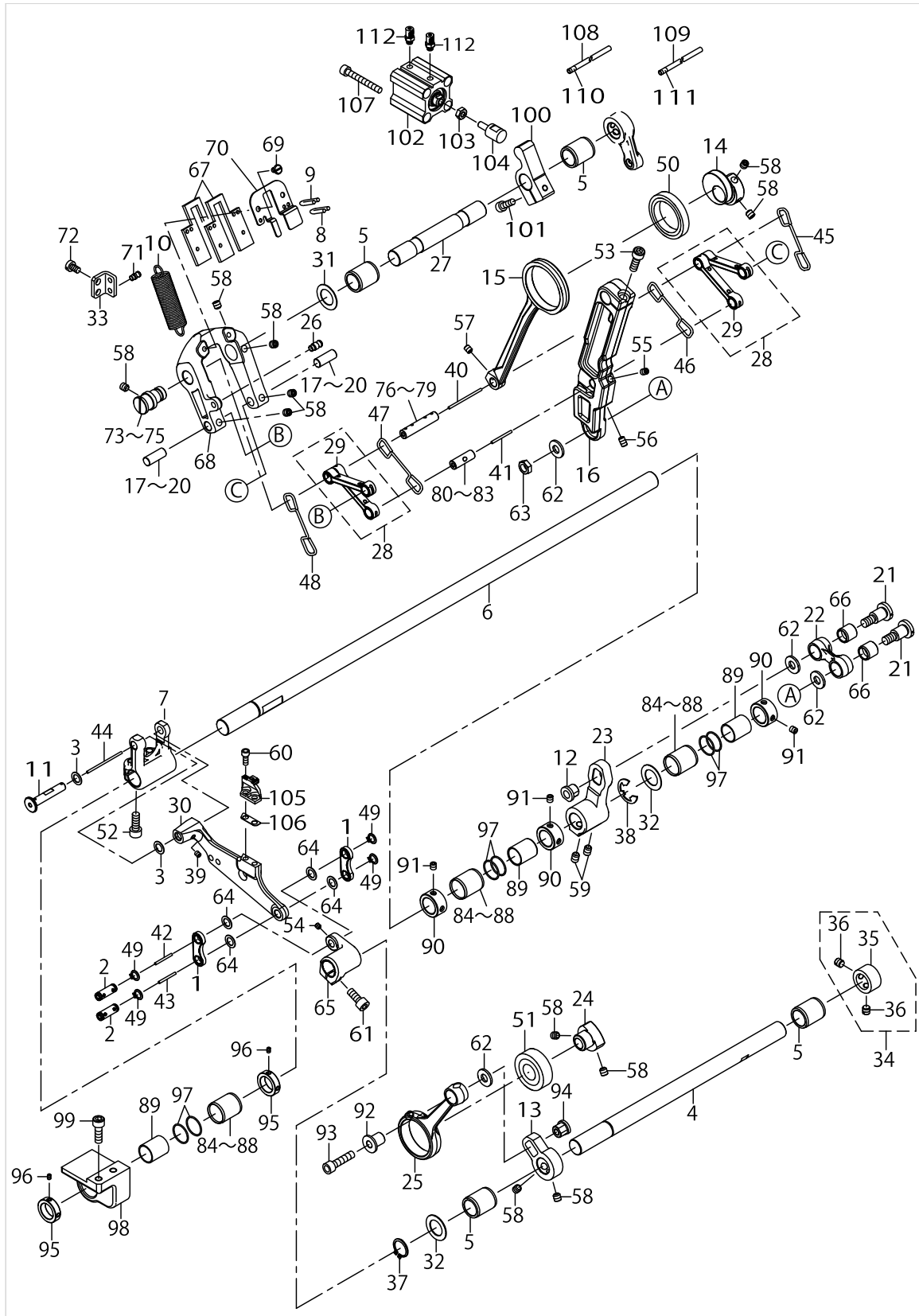
LOWER FEED COMPONENTS



LOWER FEED COMPONENTS

No.	Parts No.	Parts name	Remarks	Level	Cons	Qty
1	40123666	VERTICAL_LINK				2
2	40169688	VERTICAL_FEED_LINK_SHAFT				2
3	WP0740516SP	WASHER 7.4X11.8X0.5				2
4	40123667	VERTICAL_FEED_LINK				1
5	40169686	FEED ROCKER SHAFT BUSHING				4
6	40189277	HORIZONTAL_FEED_SHAFT_2828ES				1
7	40189282	FEED_BASE_ARM_2828ES				1
8	CQ202000000	OIL WICK				0.05
9	CQ202000000	COTTON OIL WICK D=2				0.05
10	40126401	SPRING_B				1
11	40189290	FEED_BASE_SHAFT_2828ES				1
12	40126357	VERTICAL_FEED_ROD_NUT				1
13	40125843	VERTICAL_FEED_ARM_REAR				1
14	40123626	HORIZONTAL_FEED_CAM				1
15	40126151	HORIZONTAL_FEED_ROD				1
16	40123547	NEEDLE_BAR_ROCKING_LINK				1
17	40149120	FEED_ADJUSTING_PIN_A	SELECTIVE PARTS			2
18	40149121	FEED_ADJUSTING_PIN_B	SELECTIVE PARTS			2
19	40149122	FEED_ADJUSTING_PIN_C	SELECTIVE PARTS			2
20	40149123	FEED_ADJUSTING_PIN_D	SELECTIVE PARTS			2
21	SD1021251SP	SHOULDER SCREW D=10.2 H=12.5				2
22	40125856	CONNECTION_LINK				1
23	40169697	HORIZONTAL_FEED_ARM				1
24	40169698	VERTICAL_FEED_CAM				1
25	40125857	VERTICAL_FEED_ROD				1
26	40038494	THREAD_BIND_ARM_SPRING RAC				1
27	40131602	CHANGE_BASE_SHAFT				1
28	40126339	CONNECTION_LINK_ASM				2
29	40123252	CONNECTION_LINK		*		2
30	40131631	FEED_BASE				1
31	D1231555B00	WASHER				1
32	B125578100A	WASHER A				2
33	12288908	THROAT PLATE BASE B SUPPORT				1
34	22904155	MAIN SHAFT THRUST COLLAR ASM.				1
35	22904106	MAIN SHAFT THRUST COLLAR		*		1
36	SS8660610TP	SCREW 1/4-40 L=6		*		2
37	RC0150001KP	C-RING 15(13.8)				1
38	RE1200000K0	E-RING 12				1
39	SS8110422TP	SCREW 11/64-40 L=4				1
40	CQ202000000	COTTON OIL WICK D=2				0.042
41	CQ202000000	COTTON OIL WICK D=2				0.02
42	CQ202000000	COTTON OIL WICK D=2				0.024
43	CQ202000000	COTTON OIL WICK D=2				0.024
44	CQ202000000	COTTON OIL WICK D=2				0.04
45	CQ202000000	COTTON OIL WICK D=2				0.3
46	CQ202000000	COTTON OIL WICK D=2				0.3
47	CQ202000000	COTTON OIL WICK D=2				0.3

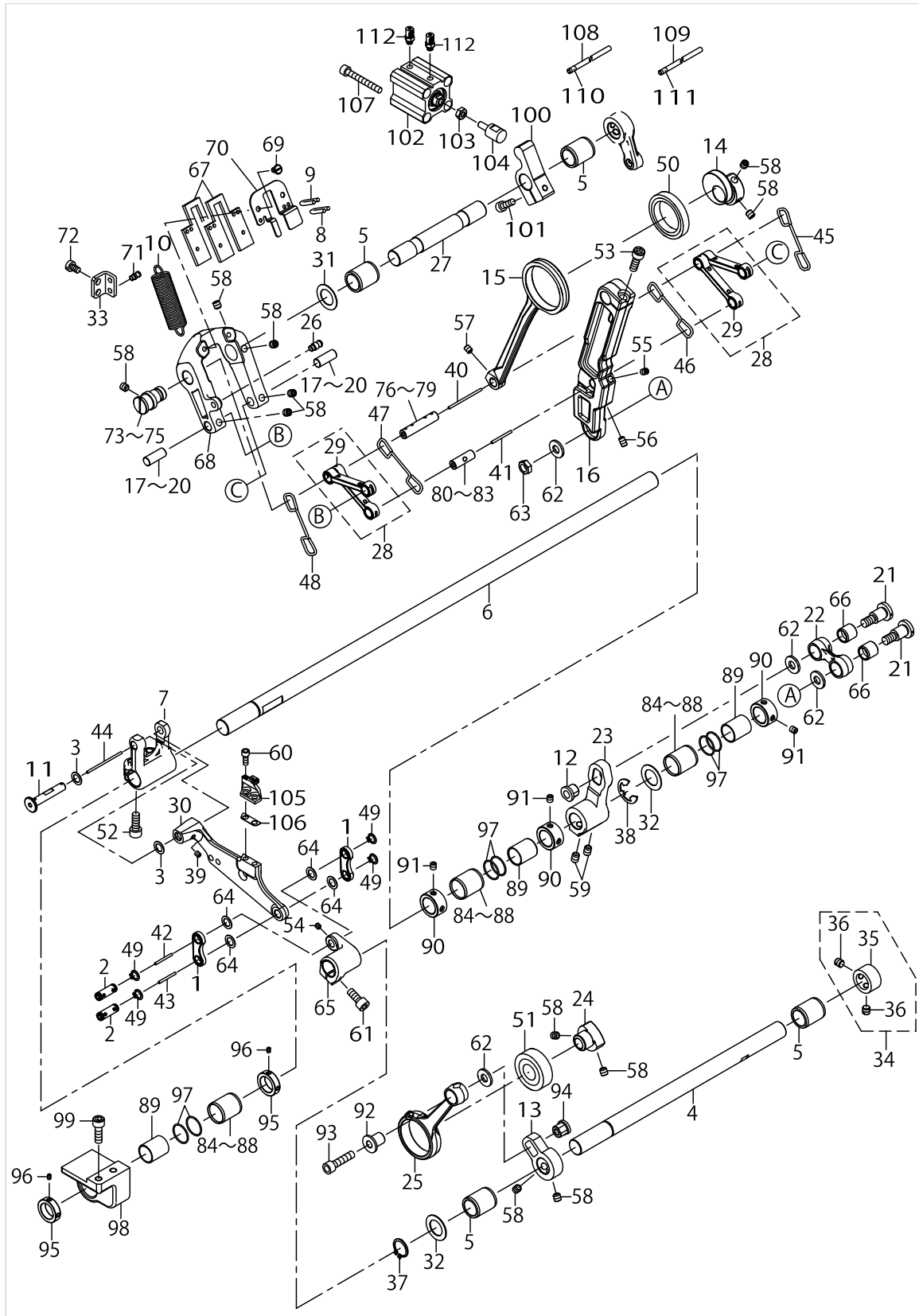
LOWER FEED COMPONENTS



LOWER FEED COMPONENTS

No.	Parts No.	Parts name	Remarks	Level	Cons	Qty
48	CQ20200000	COTTON OIL WICK D=2				0.3
49	RC0650811KP	C-RING 7(6.5)				4
50	40143087	BEARING				1
51	SB117000700	BEARING				1
52	SM6061602TP	SCREW M6 L=16				2
53	SM6061802TP	SCREW M6 L=18				1
54	SM8040412TP	SET SCREW M4 L=4				1
55	SM8050842TP	SETSCREW				1
56	SM8050812TP	SCREW M5X8				1
57	SM80506A2TP	SCREW M5 L=6				1
58	SM80606A2TP	SCREW M6 L=6				11
59	SM80608A2TP	SCREW M6 L=8				2
60	SS6111052TP	SCREW				2
61	SM6061402TP	SCREW M6 L=14				1
62	26018705	WASHER				4
63	NS6680410SP	NUT 9/32-28				1
64	WP0740516SP	WASHER 7.4X11.8X0.5				4
65	40125935	VERTICAL_FEED_ARM_FRONT				1
66	40126359	CONNECTION LINK BUSH				2
67	40123345	FELT				2
68	40123629	HORIZONTAL_FEED_CHANGE_BASE				1
69	SM6040650TP	SCREW				2
70	40123346	FELT HOLDER				1
71	26017400	SPRING RAC				1
72	SM6050800SP	SCREW M5 L=8				2
73	40171795	HF_CHANGE_BASE_SUPPORT_PIN_A	SELECTIVE PARTS			1
74	40171796	HF_CHANGE_BASE_SUPPORT_PIN_B	SELECTIVE PARTS			1
75	40171797	HF_CHANGE_BASE_SUPPORT_PIN_C	SELECTIVE PARTS			1
76	40149125	FEED_ROD_PIN_A	SELECTIVE PARTS			1
77	40149126	FEED_ROD_PIN_B	SELECTIVE PARTS			1
78	40149127	FEED_ROD_PIN_C	SELECTIVE PARTS			1
79	40149128	FEED_ROD_PIN_D	SELECTIVE PARTS			1
80	40149115	ROCKING_LINK_PIN_A	SELECTIVE PARTS			1
81	40149116	ROCKING_LINK_PIN_B	SELECTIVE PARTS			1
82	40149117	ROCKING_LINK_PIN_C	SELECTIVE PARTS			1
83	40149118	ROCKING_LINK_PIN_D	SELECTIVE PARTS			1
84	40178995	HORIZONTAL FEED SHAFT BUSHING F	SELECTIVE PARTS			3
85	40178996	HORIZONTAL FEED SHAFT BUSHING G	SELECTIVE PARTS			3
86	40169693	HORIZONTAL FEED SHAFT BUSHING C	SELECTIVE PARTS			3
87	40174552	HORIZONTAL FEED SHAFT BUSHING D	SELECTIVE PARTS			1
88	40174553	HORIZONTAL FEED SHAFT BUSHING E	SELECTIVE PARTS			1
89	40169690	H_FEED_SHAFT_PLASTIC_BUSHING				3
90	CS1501181TP	THRUST COLLAR D=15 W=11				4
91	SM8050512TP	SCREW				8
92	40154833	VERTICAL FEED COLLAR				1
93	SM6062502TP	SCREW M6 L=25				1
94	40154832	VERTICAL FEED ROD NUT				1

LOWER FEED COMPONENTS



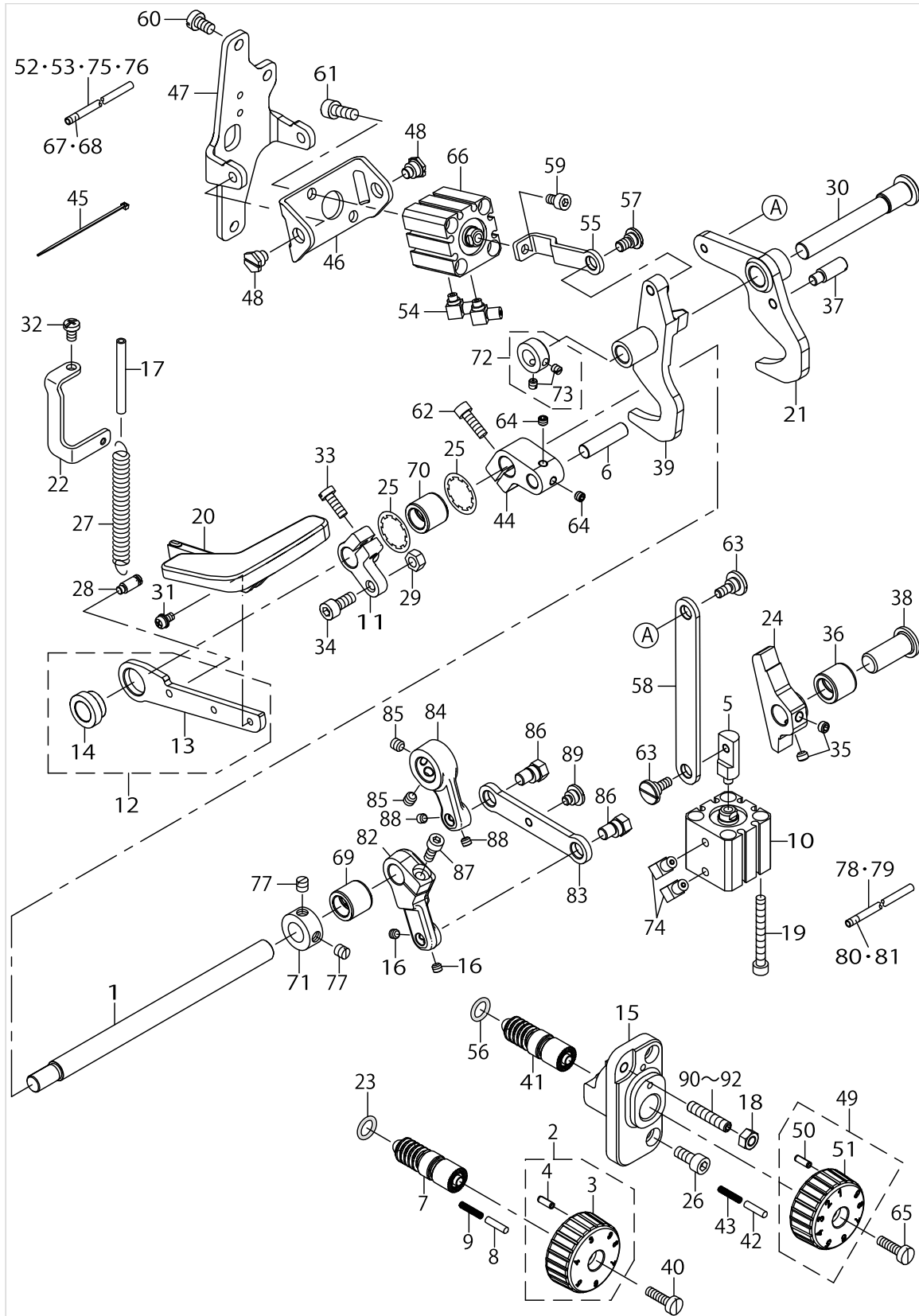
LOWER FEED COMPONENTS

No.	Parts No.	Parts name	Remarks	Level	Cons	Qty
95	40171825	THRUST_COLLAR				2
96	SM8030412TP	SCREW				4
97	40176440	O-RING				6
98	40131619	METAL_INSTALLING_BOSS				1
99	SM6061802TP	SCREW_M6_L=18				2
100	40131597	CONDENSE_CYLINDER_ARM				1
101	SM6051602TP	SCREW_M5X0.8_L=16				1
102	PA200200500	AIR_CYLINDER				1
103	NM6050001SD	NUT_M5X0.8				1
104	40131607	CONDENSE_PUSH_PIN				1
105	40135816	FEED_DOG_2820A7				1
106	40138020	FEED_DOG_SPACER				1
107	SM6054002TN	SCREW_M5X0.8_L=40				2
108	BT0400251EB	URETHANE_HOSE_BLACK				0.6
109	BT0400251EB	URETHANE_HOSE_BLACK				0.6
110	18035808	WIRE_MARK_(9)				1
111	18035907	WIRE_MARK_(10)				1
112	PJ032052503	HOSE_NIPPLE				2

FEED ADJUST COMPONENTS

No.	Parts No.	Parts name	Remarks	Level	Cons	Qty
1	40150059	REVERSE_FEED_LEVER_SHAFT_V				1
2	40142200	FEED_DIAL_(A)_ASM.				1
3	40142201	FEED_DIAL_(A)		*		1
4	PS0350102KR	SPRING_PIN_3.5X10		*		1
5	40131601	CYLINDER_CONNECTING_SCREW				1
6	40131599	FEED_ADJUSTING_PIN				1
7	22911804	FEED_REGULATOR_SCREW			☆	1
8	22912000	FEED_REGULATOR_PIN				1
9	22912109	FEED_REGULATOR_PIN_SPRING				1
10	PA200150900	AIR_CYLINDER				1
11	40112127	BACKWARD_FEED_CONNECTING_ARM				1
12	40112128	REVERSE_FEED_LEVER_PLATE_ASM				1
13	40112281	REVERSE_FEED_REVER_PLATE		*		1
14	40112282	REVERSE_FEED_REVER_BUSH		*		1
15	40149039	FEED_DIAL_BASE				1
16	SM8050412TP	SCREW_M5_L=4				2
17	23630007	TUBE				0.08
18	NM6060001SD	NUT_M6				1
19	SM6054502TP	SCREW_M5X0.8_L=45				2
20	40126116	REVERSE_FEED_LEVER_DRAFT				1
21	40131591	ADJUSTING_BASE_A				1
22	40125864	REVERSE_FEED_LEVER_SPRING_HOOK				1
23	RO092270200	RUBBER_RING				1
24	40131594	FEED_DIAL_ARM				1
25	WT1780011KP	TOOTHED_WASHER_18				2
26	SM6061402TP	SCREW_M6_L=14				2
27	D2629M1YC0F	SPRING				1
28	26229302	SUSPENSION_SCREW				1
29	NM6050001SD	NUT_M5X0.8				1
30	40131609	ADJUSTING_BASE_SHAFT				1
31	SL4040881SC	SCREW_M4_L=8				2
32	SM4050855SP	SCREW				1
33	SM6051400SP	SCREW				1
34	SM6051202TP	SCREW_M5X0.8_L=12				1
35	SM8060412TP	SCREW				2
36	40143624	BACKWARD_LEVER_SHAFT_BUSH				1
37	40135860	ADJUSTING_BASE_SCREW				1
38	40131610	FEED_DIAL_SHAFT				1
39	40125920	ADJUSTING_BASE_B				1
40	SS6121860SP	SCREW_3/16-28_L=18				1
41	22911804	FEED_REGULATOR_SCREW			☆	1
42	40122887	FEED_REGULATOR_PIN				1
43	22912109	FEED_REGULATOR_PIN_SPRING				1
44	40131596	FEED_ADJUSTING_PIN HOLDER_B				1
45	EA9500B0100	CABLE_BAND				1
46	40126642	CYLINDER_BASE_A				1
47	40126643	CYLINDER_BASE_B				1

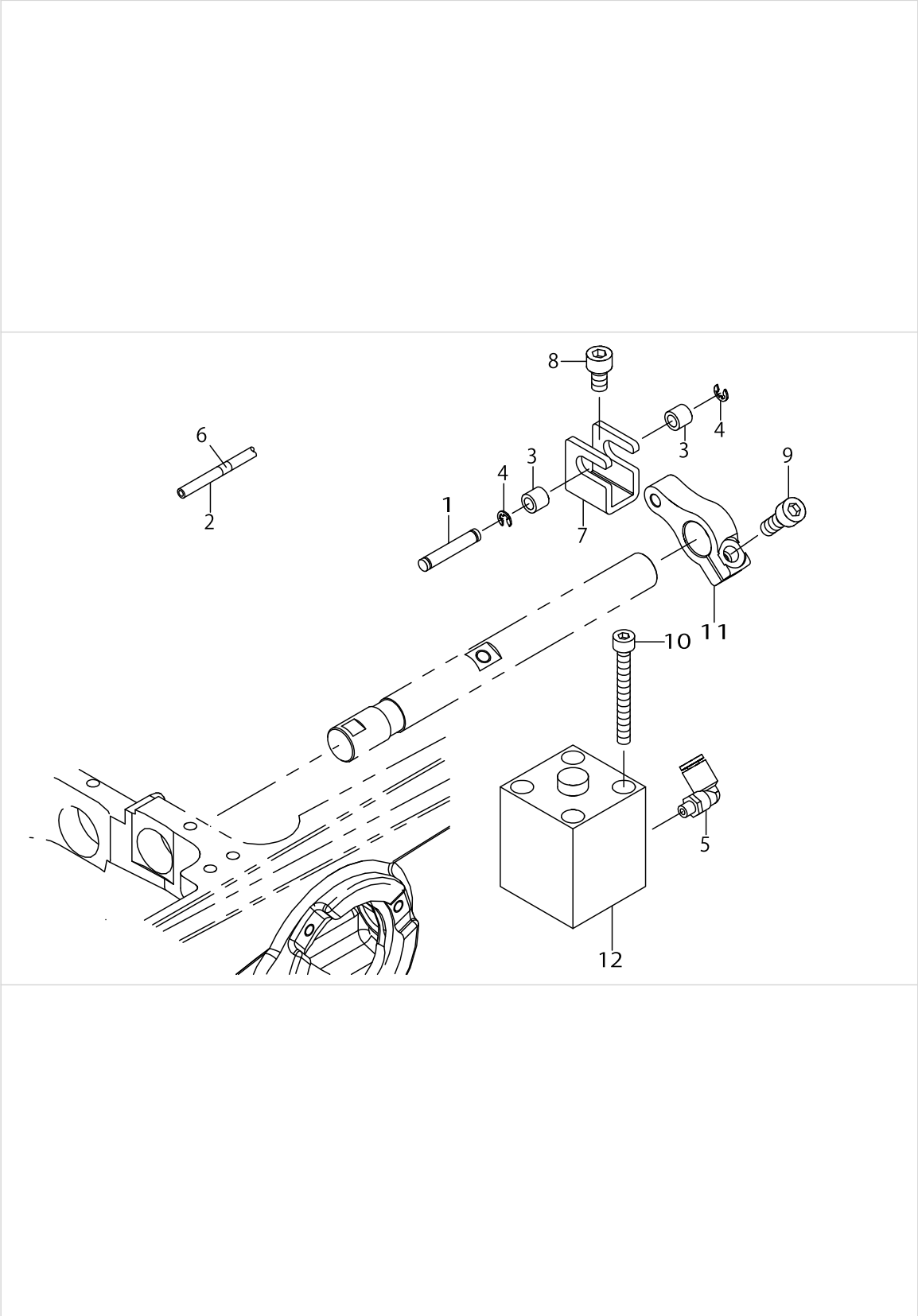
FEED ADJUST COMPONENTS



FEED ADJUST COMPONENTS

No.	Parts No.	Parts name	Remarks	Level	Cons	Qty
48	SD0900426TP	SHOULDER_SCREW_D=9_H=4.2				2
49	40134993	FEED_DIAL_2820_ASM				1
50	PS0350102KR	SPRING_PIN_3.5X10		*		1
51	40134994	FEED_DIAL_2820		*	☆	1
52	BT0400251EB	URETHANE_HOSE_BLACK				0.36
53	BT0400251EB	URETHANE_HOSE_BLACK				0.36
54	PJ046052503	HOSE_ELBOW				2
55	40112267	CYLINDER_JOINT				1
56	RO092270200	RUBBER_RING			☆	1
57	SD0800346TP	SHOULDER_SCREW				1
58	40131600	LINK_C				1
59	SM6050802TP	SCREW_M5X0.8_L=8				1
60	SM6061010TP	SCREW_M6_L=10				3
61	SM6061602TP	SCREW_M6_L=16				2
62	SM6051602TP	SCREW_M5X0.8_L=16				1
63	SD0800426TP	SHOULDER_SCREW				2
64	SM8050412TP	SCREW_M5_L=4				2
65	SS6121860SP	SCREW_3/16-28_L=18				1
66	PA200150900	AIR_CYLINDER				1
67	18035006	CABLE_MARK_NO.1				1
68	18035105	WIRE_MARK_(2)				1
69	40143624	BACKWARD_LEVER_SHAFT_BUSH				1
70	13424502	BUSHING_FRONT				1
71	CS1201171TP	THRUST_COLLAR_D=12_W=11				1
72	CS100081CSP	THRUST_COLLAR_ASM.				1
73	SS8110520TP	SCREW_11/64-40_L=4.5		*		2
74	PJ046052503	HOSE_ELBOW				2
75	BT0400251EB	URETHANE_HOSE_BLACK				0.76
76	BT0400251EB	URETHANE_HOSE_BLACK				0.76
77	SM8060612TP	SCREW_M6_L=6				2
78	BT0400251EB	URETHANE_HOSE_BLACK				0.13
79	BT0400251EB	URETHANE_HOSE_BLACK				0.13
80	18036004	WIRE_MARK_(11)				1
81	18036103	WIRE_MARK_(12)				1
82	40131592	FEED_ADJUSTING_LINK_ARM				1
83	40131605	FEED_ADJUSTING_LINK				1
84	40131595	FEED_ADJUSTING_ARM				1
85	SM8060612TP	SCREW_M6_L=6				2
86	40169702	FEED_ADJUST_PIN				2
87	SM6051202TP	SCREW_M5X0.8_L=12				1
88	SM8050412TP	SCREW_M5_L=4				2
89	SD0800406TP	SHOULDER_SCREW_D=8_H=4				1
90	40153570	SCREW M6 L=26	SELECTIVE PARTS			1
91	40153571	SCREW M6 L=27	SELECTIVE PARTS			1
92	40153572	SCREW M6 L=28	SELECTIVE PARTS			1

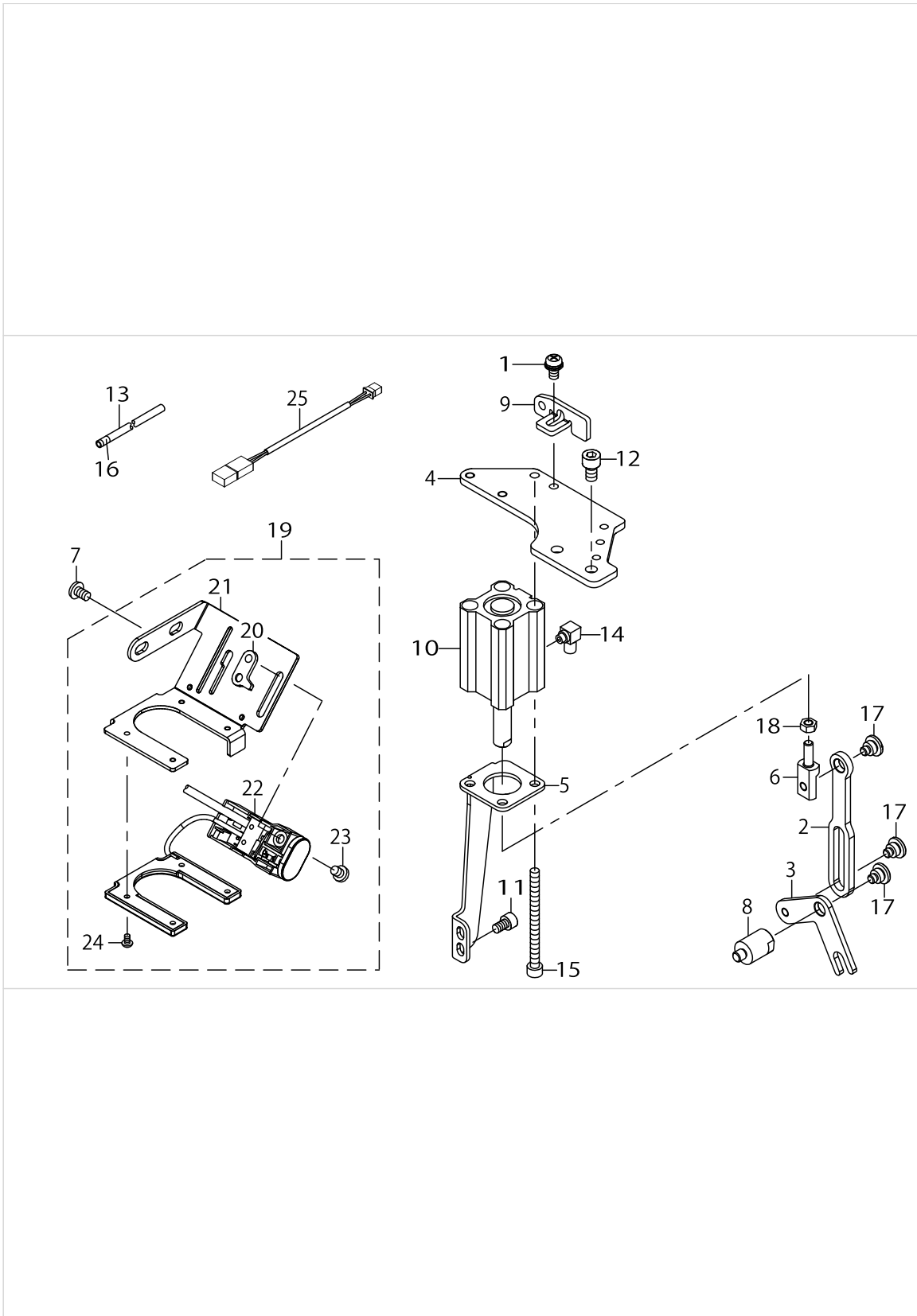
DL COMPONENTS



DL COMPONENTS

No.	Parts No.	Parts name	Remarks	Level	Cons	Qty
1	B1504210000	CONNECTING_SHAFT				1
2	BT0400251EB	URETHANE_HOSE_BLACK				0.58
3	B3031141H00	CONNECTING_STUD				2
4	RE0320000K0	E-RING_3.2				2
5	PJ304040504	ELBOW_UNION				1
6	18035501	WIRE_MARK_(6)				1
7	40112191	KNUCKLE_JOINT_B				1
8	SM6061002TP	SCREW_M6_L=10				1
9	SM6061602TP	SCREW_M6_L=16				1
10	SM6054502TP	SCREW_M5X0.8_L=45				2
11	40112192	TERTICAL_CYLINDER_ARM				1
12	PA250250900	AIR_CYLINDER				1

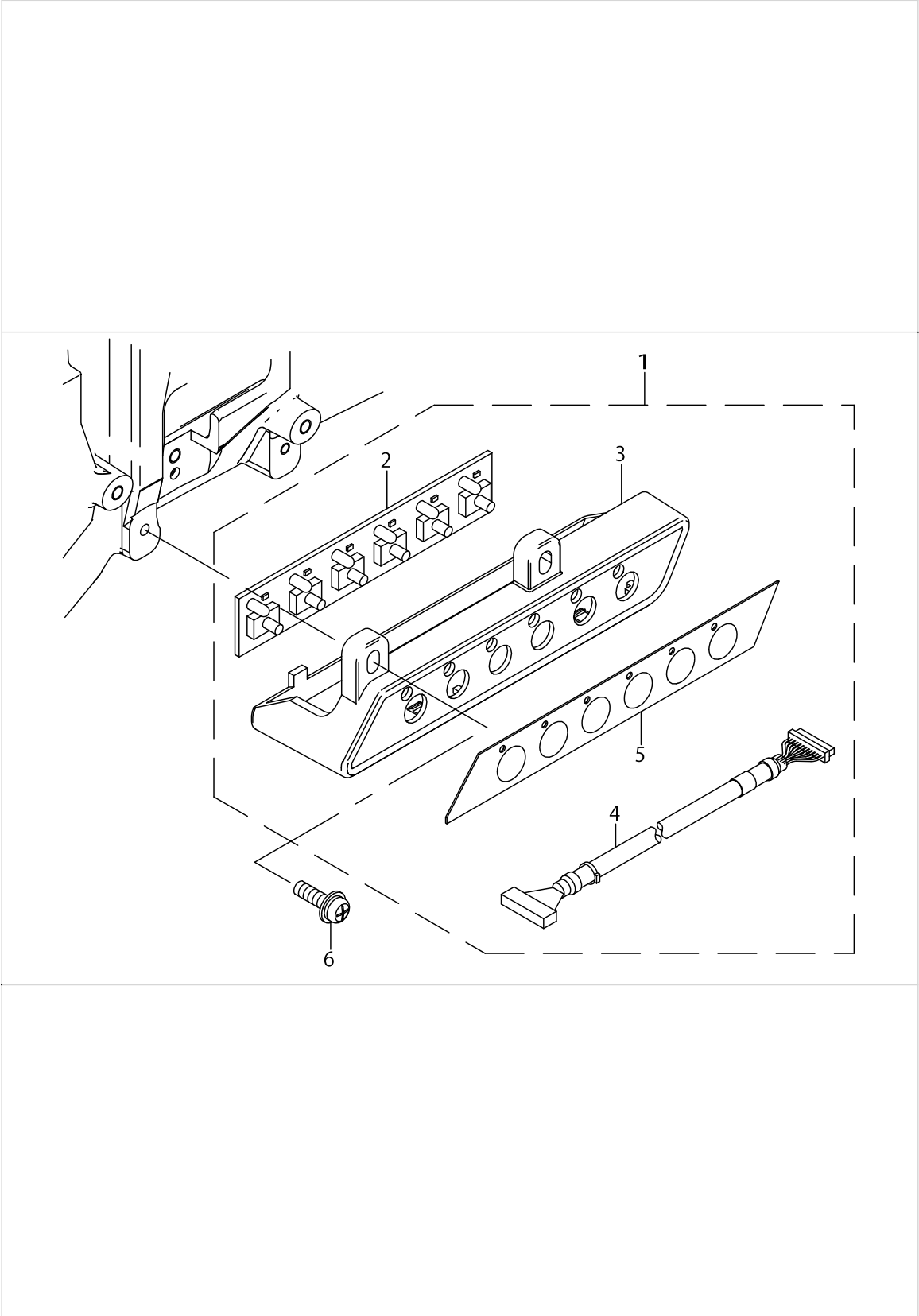
AUTO BT COMPONENTS



AUTO BT COMPONENTS

No.	Parts No.	Parts name	Remarks	Level	Cons	Qty
1	SL4051091SC	SCREW_M5X0.8_L=10				1
2	40131603	BT_LINK_A				1
3	40131593	BT_LINK_B				1
4	40125872	CYLINDER_BRACKET				1
5	40112140	CYLINDER_STAY				1
6	40131608	CYLINDER_KNUCKLE_JOINT				1
7	SM5050855SN	SCREW M5 L=8				2
8	40131604	BT_LINK_STUD				1
9	40112228	MOTOR_COVER_FITTING_PLATE				1
10	40142208	AIR_CYLINDER				1
11	SM6050802TP	SCREW_M5X0.8_L=8				2
12	SM6061002TP	SCREW_M6_L=10				2
13	BT0400251EB	URETHANE_HOSE_BLACK				0.27
14	PJ046052503	HOSE_ELBOW				1
15	SM6056552TP	SCREW				3
16	18035709	WIRE_MARK_(8)				1
17	SD0800406TP	SHOULDER_SCREW_D=8_H=4				3
18	NM6050001SE	NUT_M5				1
19	40185715	LED_TB_SWITCH_COM				1
20	23632102	REVERSE_FEED_SWITCH_BASE_GUIDE		*		1
21	40186027	TB_SW_MOUNTING_PLATE		*		1
22	40186388	LED_TB_SWITCH_ASSY		*		1
23	SS7110740TP	SCREW_11/64-40_L=7		*		1
24	SM4030501SC	SCREW M3X0.5 L=5		*		1
25	40186537	LED_TB_SWITCH_CORD_ASSY				1

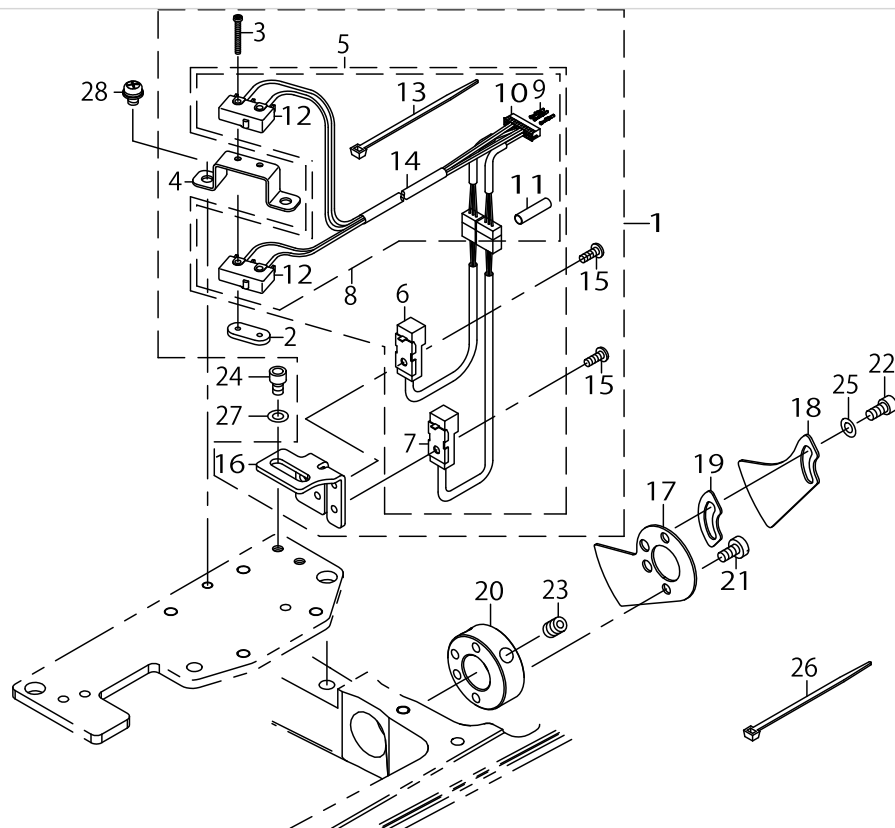
6-RANGE SW COMPONENTS



6-RANGE SW COMPONENTS

No.	Parts No.	Parts name	Remarks	Level	Cons	Qty
1	40105508	6RANGE SWITCH ASM				1
2	40105510	6RANGE SWITCH PCB ASSY		*		1
3	40112215	6RANGE_SWITCH_COVER		*		1
4	40105509	6RANGE SWITCH CABLE ASM		*		1
5	40112216	PANEL SHEET		*		1
6	SL4041491SC	SCREW 4X14				2

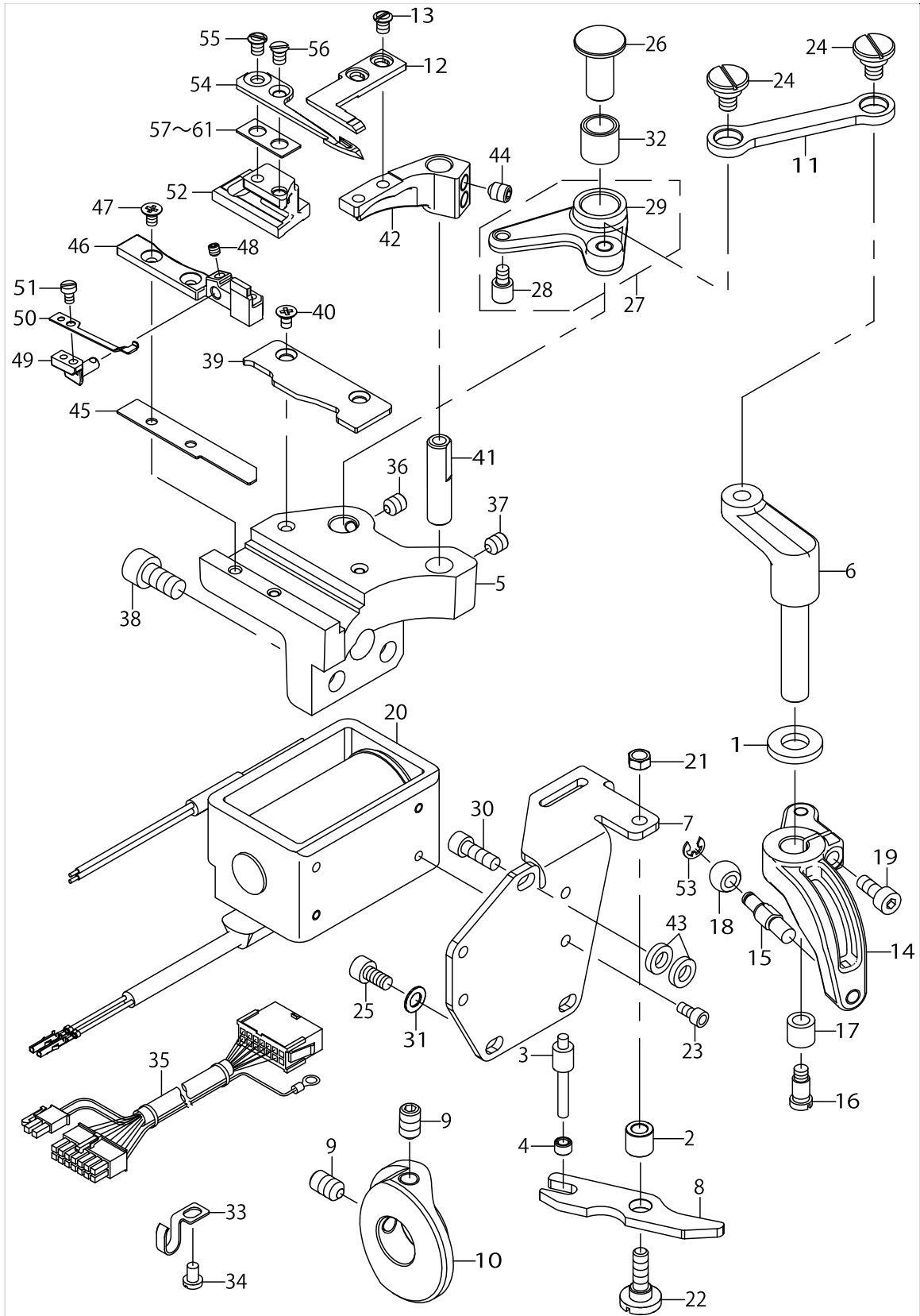
SPEED ADJUST COMPONENTS



SPEED ADJUST COMPONENTS

No.	Parts No.	Parts name	Remarks	Level	Cons	Qty
1	40183808	VERTICAL_DETECTOR_SWITCH_ASM				1
2	23638406	SAFETY SWITCH NUT		*		1
3	SM4021601SN	SCREW M2 L=16		*		2
4	40126259	SENSOR_BRACKET		*		1
5	40181864	SPEED CONTROL CORD ASM		*		1
6	40184595	SENSOR A ASM		*		1
7	40184596	SENSOR B ASM		*		1
8	40184597	SENSOR C ASM		*		1
9	HK075230000	TERMINAL		*		3
10	HK063610220	CONNECTOR		*		1
11	E8760452D00	TUBE 0.015M		*		0.03
12	HA004680000			*		2
13	EA9500B0100	CABLE BAND		*		1
14	HW000840040	4-CORE CABTYRE CORD		*		1.37
15	SM5030801SC	SCREW M3X0.5 L=8		*		2
16	40183720	SENSOR_BRACKET		*		1
17	40183718	SLIT_PLATE_A				1
18	40183719	SLIT_PLATE_B				1
19	40183737	SLIT_PLATE_WASHER				1
20	40183739	SLIT_PLATE_COLLAR				1
21	SM6040860TP	SCREW M4 L=8				2
22	SM6040802TP	SCREW M4X0.7 L=8				2
23	SM80608A2TP	SCREW M6 L=8				2
24	SM6040602TP	SCREW M4X0.7 L=6				2
25	WP0430800SD	WASHER M4				2
26	EA9500B0100	CABLE BAND				1
27	WP0450801SD	WASHER 4.5X10X0.8				2
28	SL4040691SC	SCREW M4 L=6				2

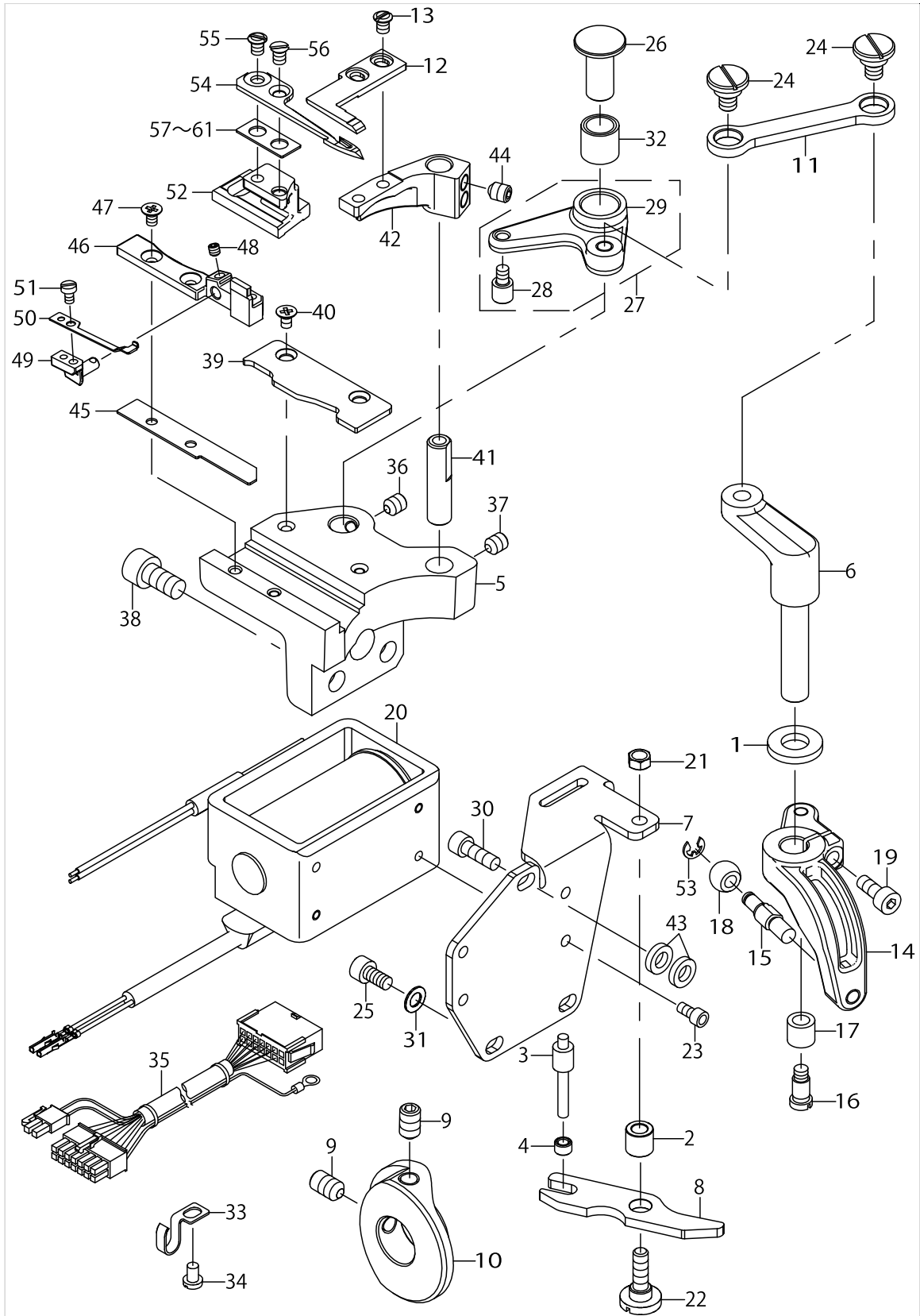
THREAD CUTTING COMPONENTS



THREAD CUTTING COMPONENTS

No.	Parts No.	Parts name	Remarks	Level	Cons	Qty
1	B185351200E	HOOK_SHAFT_WASHER				1
2	22956205	WIPER_HINGE_SCREW_COLLAR				1
3	22957104	WIPER_SOLENOID_SHAFT				1
4	22957203	WIPER_LINK_COLLAR				1
5	40147930	KNIFE_BASE				1
6	40131636	M_KNIFE_DRIVING_SHAFT				1
7	40131640	THREAD_TRIMMER_SOL_BASE_PLATE				1
8	40131638	KNIFE_DRIVING_ARM_LINK				1
9	SM8061002TP	SCREW_M6_L=10				2
10	40131633	S_TRM_CAM_R				1
11	40131635	CONNECTION_LINK				1
12	40135498	FIXED_KNIFE			☆	1
13	SS6090580TP	SCREW_9/64-40_L=4.5				2
14	40131637	MOVING_KNIFE_DRIVING_ARM				1
15	40130593	ROLLER_SHAFT				1
16	SD0500726TP	SHOULDER_SCREW_D=5_H=7.2				1
17	13737804	DRIVING_ARM_BOSS_ROLLER				1
18	21470505	CAM_ROLLER(245-7SP)				1
19	SM6041002TP	SCREW_M4_L=10				1
20	40112251	THREAD_TRIMMER_SOLENOID				1
21	NS6110310SP	NUT_11/64-40				1
22	SD0650321TP	HINGE_SCREW_D=6.5_H=3.2				1
23	SM6030602TP	SCREW_M3X0.5_L=6				4
24	SD0800329TP	SHOULDER_SCREW				2
25	SM6040802TP	SCREW_M4X0.7_L=8				2
26	40135897	M_KNIFE_SUPPORT_PIN				1
27	40149043	ASSY_KNIFE_DRIVING_ARM				1
28	40012499	KNIFE_BASE_SHAFT_PIN		*	☆	1
29	40131617	M_KNIFE_DRIVING_ARM		*		1
30	SM6041202TP	SCREW_M4X0.7_L=12				1
31	WP0450000SD	WASHER_4.5X8X0.5				3
32	SB30800140A	BEARING				1
33	26231902	OIL_WICK_PIPE_STOPPER				1
34	SM4040655SP	SCREW_M4_L=6				1
35	40126130	SOLENOID_RELAY_CABLE_ASM				1
36	SM80506A2TP	SCREW M5 L=6				1
37	SM80506A2TP	SCREW_M5_L=6				2
38	SM6061202TP	SCREW_M6_L=12				2
39	40147927	D_KNIFE_BASE_GUIDE_R				1
40	SM1030601SN	SCREW_M3X0.5_L=6				2
41	40131616	F_KNIFE_BASE_SHAFT				1
42	40147928	F_KNIFE_BASE				1
43	40021606	WASHER(B)				2
44	SS8110422TP	SCREW_11/64-40_L=4				2
45	40147929	DRIVING_KNIFE_SUPPORT_SPACER				1
46	40147926	D_KNIFE_SPPORT_R				1
47	SM1030601SN	SCREW_M3X0.5_L=6				2

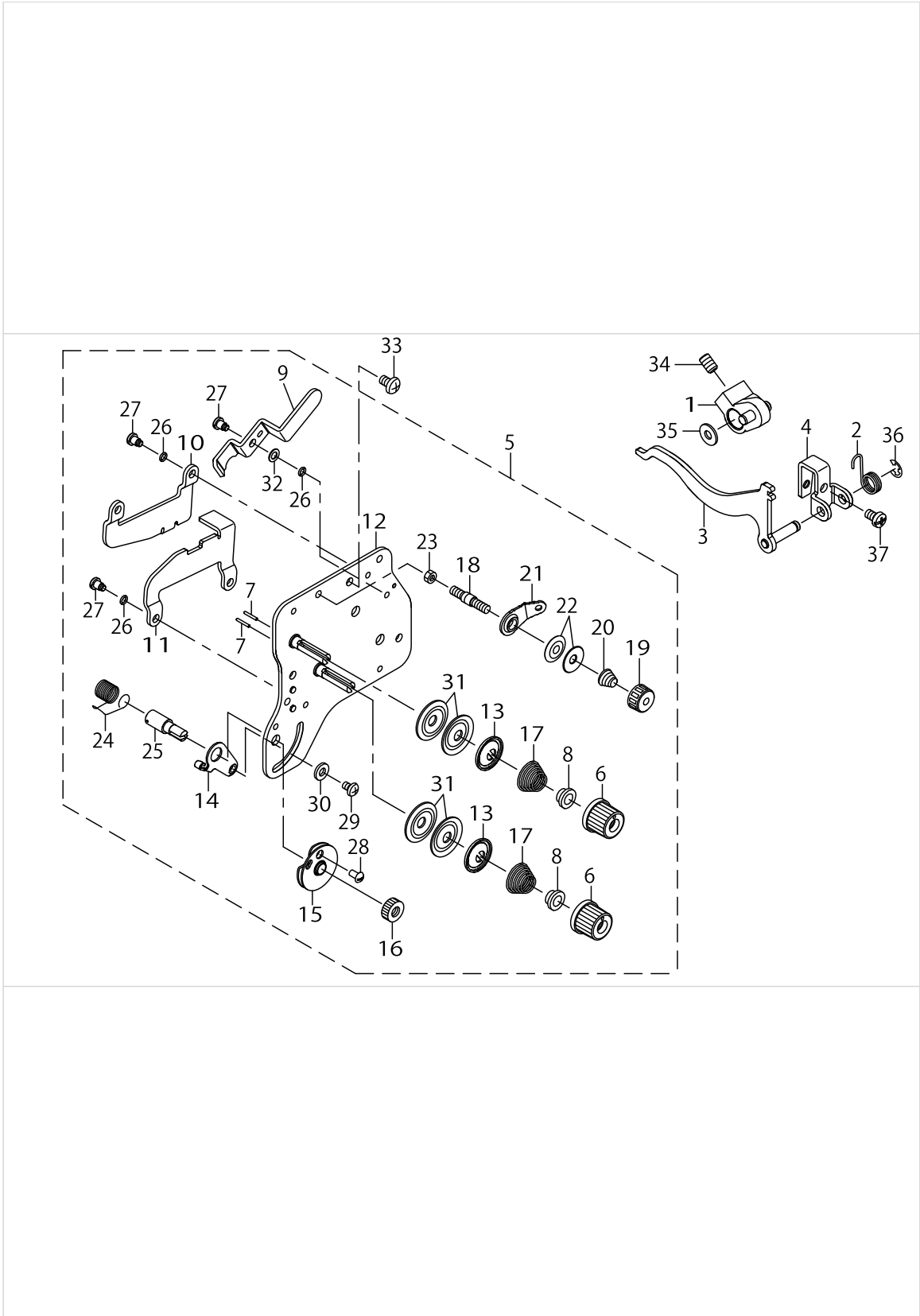
THREAD CUTTING COMPONENTS



THREAD CUTTING COMPONENTS

No.	Parts No.	Parts name	Remarks	Level	Cons	Qty
48	SM8030312TP	SCREW_M3_L=3				1
49	40134967	CLAMP_SPRING_BASE				1
50	40135955	CLAMP_SPRING			☆	1
51	SM6850400SP	SCREW_M2.5_L=4				1
52	40147937	DRIVING_KNIFE_BASE				1
53	RE0300000K0	E-RING_3				1
54	40147938	DRIVING_KNIFE			☆	1
55	SS6090580TP	SCREW_9/64-40_L=4.5				1
56	SS1090520TP	SCREW_9/64-40_L=5				1
57	40147932	DRIVING_KNIFE_SPACER_T=0.4	SELECTIVE PARTS			1
58	40147933	DRIVING_KNIFE_SPACER_T=0.5	SELECTIVE PARTS			1
59	40147934	DRIVING_KNIFE_SPACER_T=0.6	SELECTIVE PARTS			1
60	40147935	DRIVING_KNIFE_SPACER_T=0.7	SELECTIVE PARTS			1
61	40147936	DRIVING_KNIFE_SPACER_T=0.8	SELECTIVE PARTS			1

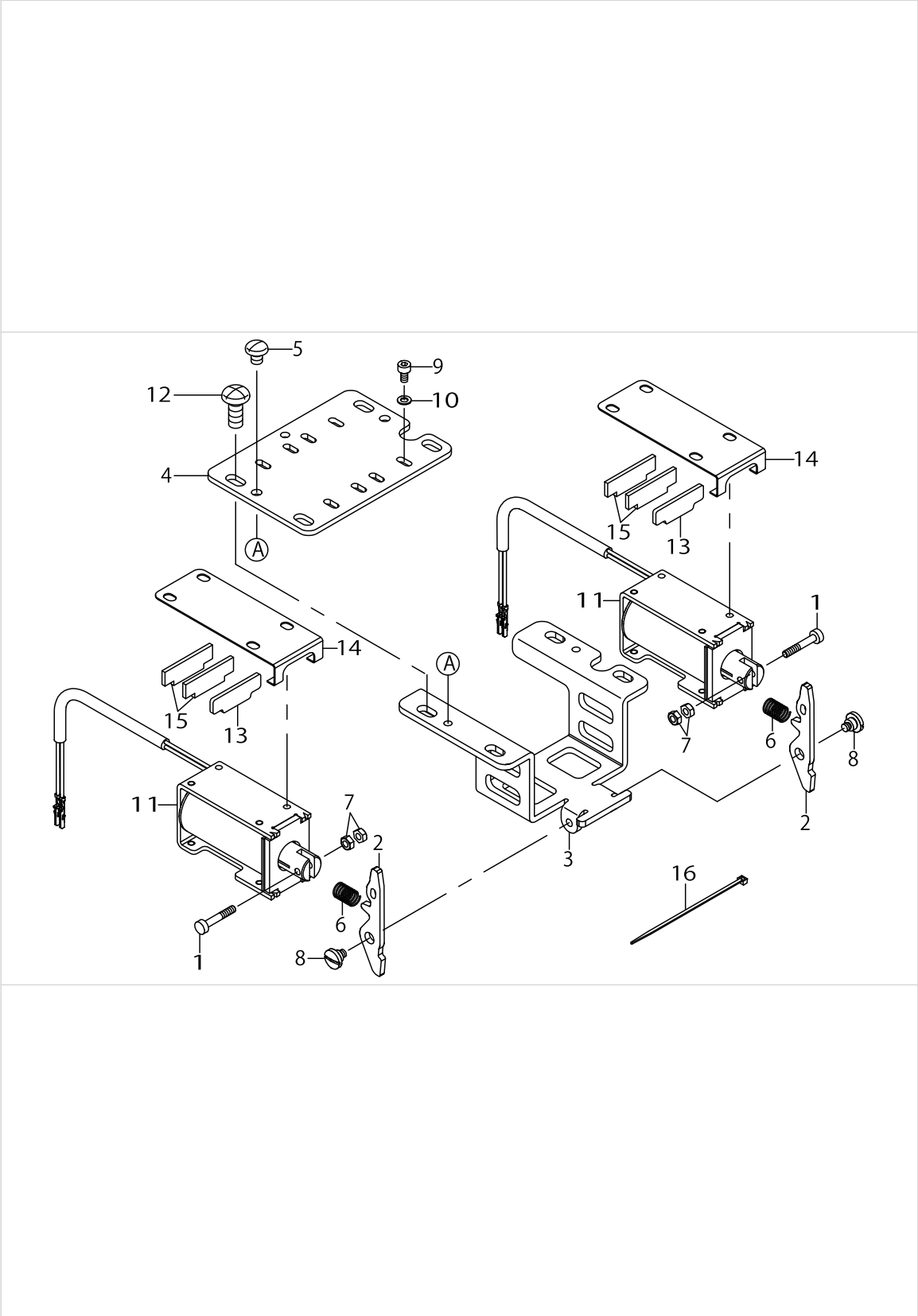
THREAD TENSION COMPONENTS



THREAD TENSION COMPONENTS

No.	Parts No.	Parts name	Remarks	Level	Cons	Qty
1	22912257	FEED_REVERSE_ARM_ASM.				1
2	22954309	REVERSE_FEED_SWITCH_SPRING				1
3	40126265	DISK_RELEASE_LINK_ASM				1
4	40125873	DISK_RELEASE_LINK_BASE				1
5	40126373	THREAD_TENSION_ASM_2810				1
6	13817408	THREAD_TENSION_NUT		*	☆	2
7	22618201	TENSION_RELEASE_PIN_A		*	☆	2
8	B3112704000	TENSION_SPRING_BUSHING		*		2
9	40112204	TENSION_RELEASE_LEVER		*		1
10	40112218	DISK_RELEASE_PLATE_A		*		1
11	40112219	DISK_RELEASE_PLATE_B		*		1
12	40126404	ASSY_TENSION_BASE_PLATE_2810		*		1
13	40126724	TENSION_DISC HOLDER		*		2
14	10697506	THREAD_TENSION_BRACKET_A		*		1
15	B31375270A0	TAKE-UP_SPRING_GUIDE_ASM.		*		1
16	22617807	NUT		*		1
17	12938304	TENSION_SPRING		*	☆	2
18	22528806	PRE_TENSION_POST		*		1
19	22945703	THREAD_TENSION_NUT		*		1
20	22963409	THREAD_TENSION_SPRING		*	☆	1
21	22529408	BOBBIN_THREAD_GUIDE		*		1
22	22945802	THREAD_TENSION_DISK		*		1
23	NS6110310SP	NUT_11/64-40		*		1
24	22618706	THREAD_TAKE-UP_SPRING_A		*	☆	1
25	10320109	SCREW_STUD		*		1
26	RO037180100	RUBBER_RING		*		5
27	SD0450401SP	HINGE_SCREW_D=4.5_H=4		*		5
28	SS3090710TP	SCREW_9/64-40_L=7		*		1
29	SS4110615SP	SCREW_11/64-40_L=6		*		1
30	WP0501016SD	WASHER_5X10.5X1		*		1
31	B3126012000	THREAD_TENSION_DISK		*		4
32	WP0460556SD	WASHER_4.6X7.5X0.5		*		1
33	SM4051001SN	SCREW_M5				3
34	SS8661012TP	SCREW				1
35	22528509	FELT				1
36	RE0500000K0	E-RING				1
37	SM4050855SP	SCREW				1

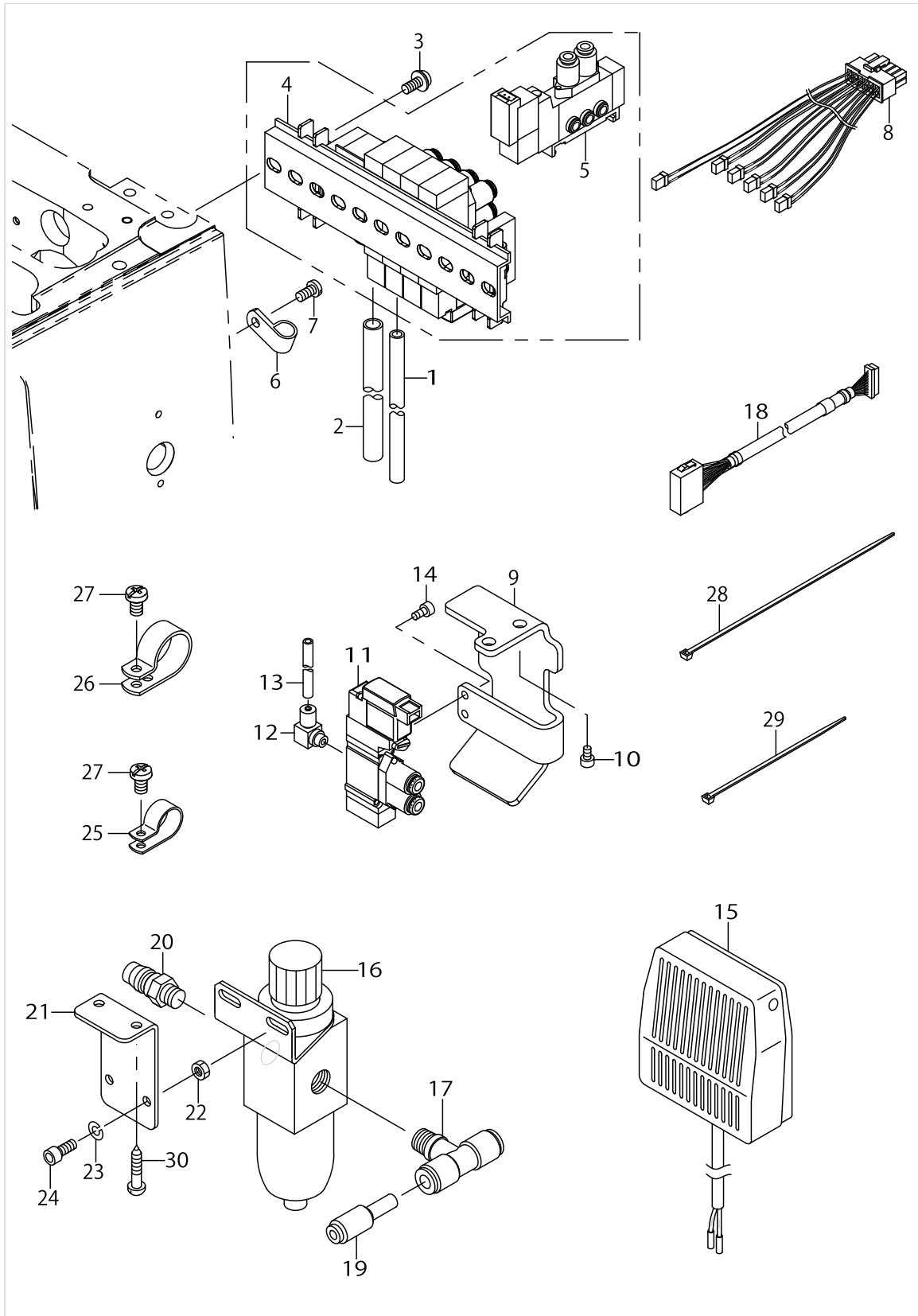
TENSION RELEASE COMPONENTS



TENSION RELEASE COMPONENTS

No.	Parts No.	Parts name	Remarks	Level	Cons	Qty
1	23542418	CLUTCH_LINK_PIN				2
2	40125948	RELEASE_SOLENOID_LINK				2
3	40126263	SOLENOID_LINK_MOUNTING_PLATE				1
4	40125949	RELEASE_SOLENOID_BASE				1
5	SS4090515SP	SCREW_9/64-40_L=5				2
6	32055501	AT_(UPPER)_SPRING				2
7	NM6030001SC	NUT_M3X0.5_TYPE1				4
8	SD0550271TP	HINGE_SCREW_D=5.5_H=2.7				2
9	SM6030602TP	SCREW_M3X0.5_L=6				8
10	WP0320501SE	WASHER_3.2X7X0.5				8
11	40112285	TENSION_RELEASE_SOLENOID				2
12	SM4051255SP	SCREW_M5_L=12				4
13	40126563	STOPPER_PLATE				2
14	40126562	RUBBER HOLDER				2
15	40086679	WIPER_STOPPER_RUBBER				4
16	EA9500B0100	CABLE_BAND				1

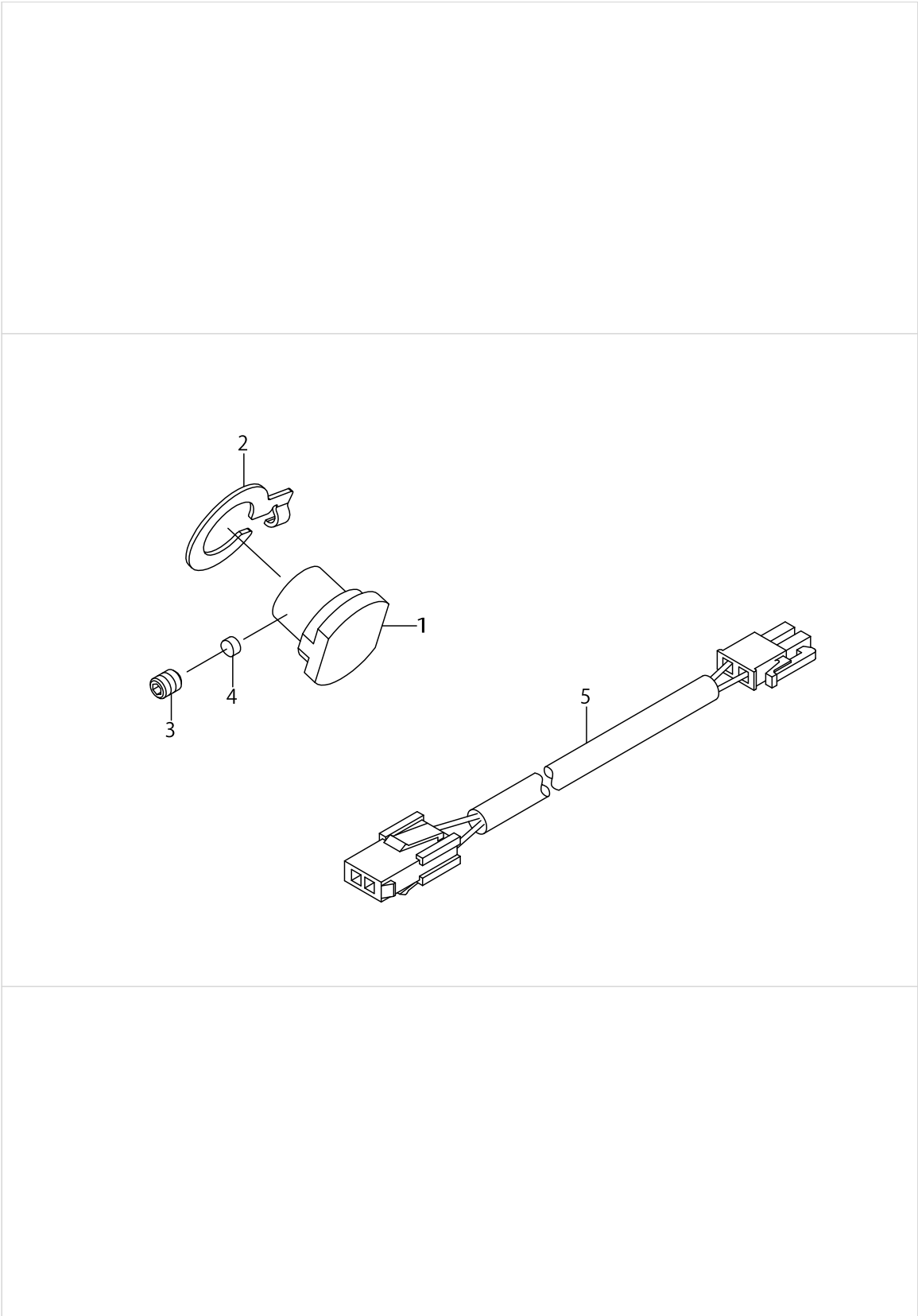
PNEUMATIC COMPONENTS



PNEUMATIC COMPONENTS

No.	Parts No.	Parts name	Remarks	Level	Cons	Qty
1	BT0600401EB	TUBE				1.1
2	BT0800501EB	VINYL_TUBE				1.1
3	SL4041091SC	SCREW_M4_L=10				2
4	40126545	SOLENOID_VALVE_ASSY				1
5	PV150209000	5_PORT_SOLENOID_VALVE				1
6	HX00150000C	CABLE_CLIP				1
7	SM4040855SP	SCREW				1
8	40137611	SOLENOID_VALVE_CABLE_ASM				1
9	40147925	SOLENOID_VALVE_COVER				1
10	SM6050802TP	SCREW_M5X0.8_L=8				2
11	PV150206000	5-PORT_CUT-OVER_SOLENOID_VALVE				1
12	PJ046052503	HOSE_ELBOW				1
13	BT0400251EB	URETHANE_HOSE_BLACK				1.1
14	SM6030602TP	SCREW_M3X0.5_L=6				2
15	40143553	KNEE_SW_ASM.				1
16	PF055107000	FILTER_REGULATOR				1
17	PJ305065107	DOUBLE-ENDED T UNION				1
18	40126127	AIR_VALVE_RELAY_CABLE_ASM				1
19	PJ301040001	REDUCER				1
20	PJ025100003	PLUG				1
21	13860408	REGULATOR_BRACKET				1
22	NM6050001SP	NUT_M5				2
23	WS0510002KN	SPRING_WASHER_M5				2
24	SM6051202TP	SCREW_M5X0.8_L=12				2
25	HX00150000H	CABLE_CLIP				1
26	HX00150000M	CABLE_CLIP				1
27	SM4040855SP	SCREW				2
28	EA9500B0200	CABLE_BAND_150				3
29	EA9500B0100	CABLE_BAND				2
30	SK3482001SE	WOOD_SCREW_D=4.8_L=20				2

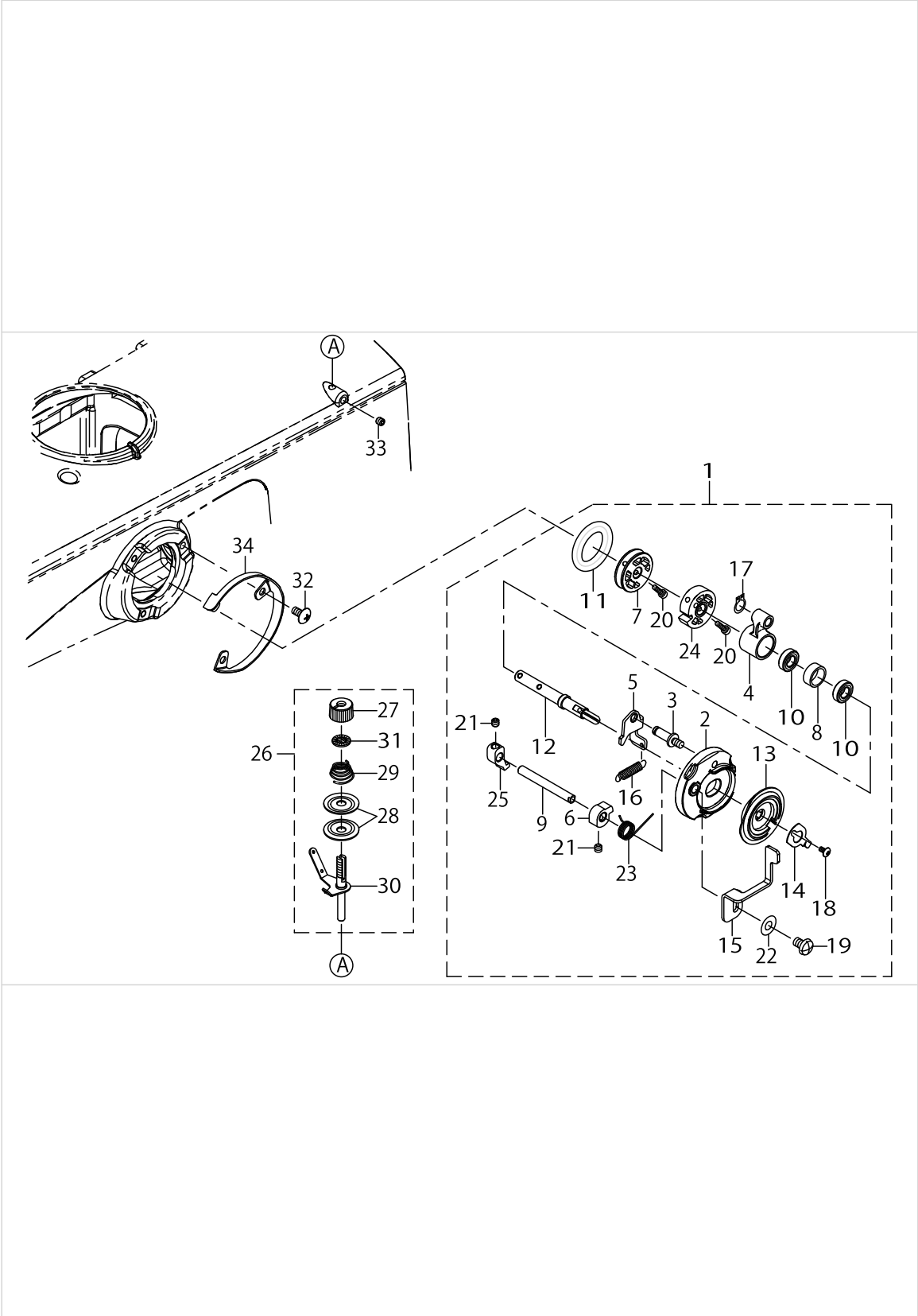
NEEDLE THREAD CLAMP COMPONENTS



NEEDLE THREAD CLAMP COMPONENTS

No.	Parts No.	Parts name	Remarks	Level	Cons	Qty
1	40131641	THREAD_CATCHER_ASM.				1
2	40137971	SOLENOID_CABLE HOLDER				1
3	SM8050612TP	SCREW_M5X6				1
4	40149044	SOLENOID_SPACER				1
5	40149304	TC_SOLENOID_RELAY_CABLE_ASM				1

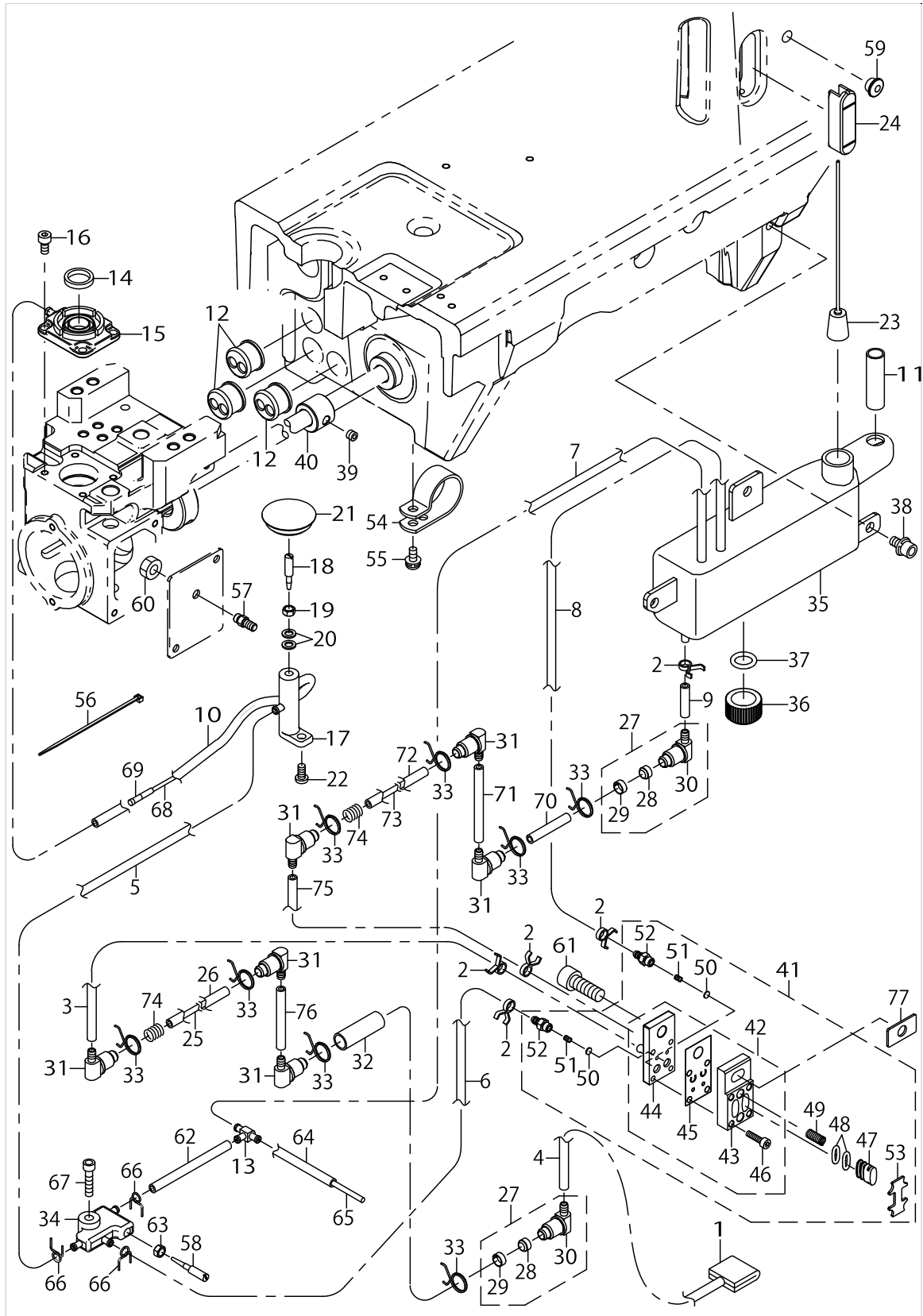
BOBBIN WINDER COMPONENTS



BOBBIN WINDER COMPONENTS

No.	Parts No.	Parts name	Remarks	Level	Cons	Qty
1	40126355	BOBBIN_WINDER_UNIT				1
2	26260109	BTW_BASE		*		1
3	26260307	BTW_BASE_SHAFT		*		1
4	26260406	BTW_SHAFT_BASE		*		1
5	40126594	BTW_CAM_PLATE		*		1
6	26260505	BTW_CAM_LEVER		*		1
7	40125851	WINDER_WHEEL		*		1
8	26260802	BTW_BEARING_SPACER		*		1
9	26261008	BTW_LEVER_SHAFT		*		1
10	40126354	WINDER_BEARING		*		1
11	26261503	BTW_WHEEL_RUBBER		*	☆	1
12	40126550	BOBBIN_SHAFT		*		1
13	40125927	BOBBIN_BASE		*		1
14	40126311	WINDER_CUTTER		*		1
15	40151791	BOBBIN_LEVER		*		1
16	13718507	SPRING		*		1
17	RC0560711KP	RETAINING_RING		*		1
18	SM0030601SC	SCREW_M3X0.5_L=6		*		1
19	SM5040655SN	SCREW		*		1
20	SM6031202TP	SCREW_M3X0.5_L=12		*		1
21	SM8050502TP	SCREW_M5_L=5		*		2
22	WP0450826SC	WASHER_4.5X10X0.8		*		1
23	40126549	HELICAL_TORSION_COIL_SPRING		*		1
24	40125928	WINDER_LATCH_CAM_		*		1
25	40125844	WINDER_LATCH_B		*		1
26	40088958	BOBBIN_THREAD_TENSION_ASM.				1
27	22921308	THREAD_TENSION_NUT		*		1
28	22921506	THREAD_TENSION_DISK		*		1
29	22921704	THREAD_TENSION_SPRING_A		*	☆	1
30	40088959	BOBBIN_THREAD_TENSION_ROD_ASM.		*		1
31	22921407	ROTATION_STOPPER		*		1
32	SM0051001SC	SCREW				3
33	SM8051002TP	SCREW_M5_L=10				1
34	40152022	BTW_GUARD				1

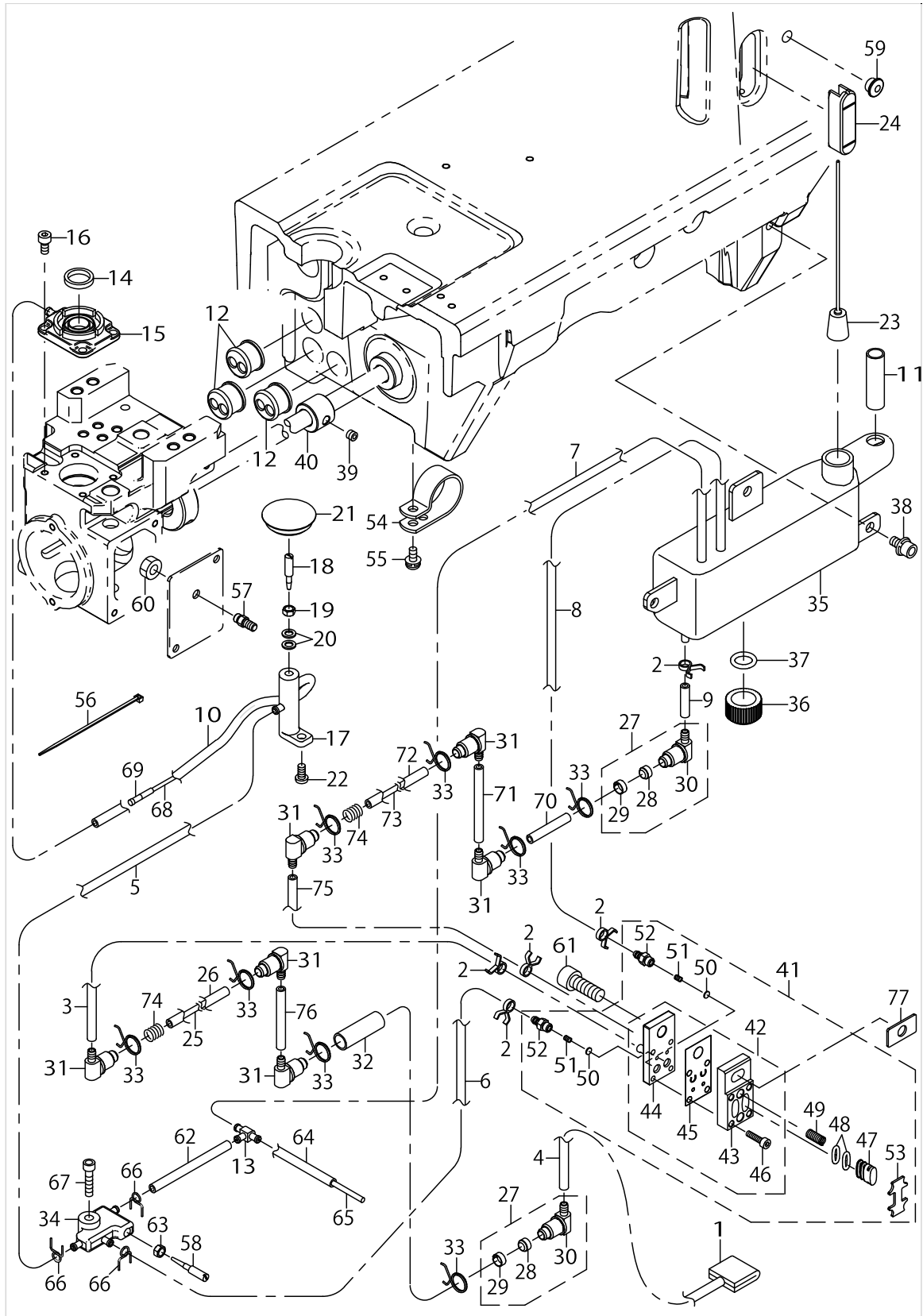
LUBRICATION COMPONENTS



LUBRICATION COMPONENTS

No.	Parts No.	Parts name	Remarks	Level	Cons	Qty
1	40112320	FELT				1
2	13142609	OIL_TUBE HOLDER				5
3	23630007	TUBE				0.1
4	23630007	TUBE				0.4
5	23630007	TUBE				0.12
6	23630007	TUBE				0.08
7	23630007	TUBE				0.31
8	23630007	TUBE				0.4
9	23630007	TUBE				0.02
10	23630007	TUBE				0.22
11	23630106	TUBE_B				0.32
12	22935308	MAGNET_CORD_RUBBER				3
13	13765607	OIL_CONNEC_ARM				1
14	40112318	OIL_SUPPLY_FELT				1
15	40112246	OIL_SUPPLY				1
16	SM6040802TP	SCREW_M4X0.7_L=8				4
17	40069741	OIL_REGULATING_VALVE				1
18	B1843563000	OIL_ADJUSTING_SCREW				1
19	NS6110310SP	NUT_11/64-40				1
20	WP0450846SP	WASHER				2
21	40028294	FEED_ADJUSTING_CAP				1
22	SM4040855SP	SCREW				1
23	23628357	FLOATER ASM.				1
24	40036167	OIL_GAGE				1
25	CQ303000000	OIL_WICK				0.26
26	23630106	TUBE_B				0.09
27	23630650	OIL_FILTER_JOINT_ASM.				2
28	23630403	OIL_FILTER_STOPPER		*	☆	1
29	23630502	OIL_FILTER		*		1
30	23630601	OIL_FILTER_JOINT		*		1
31	23630601	OIL_FILTER_JOINT				6
32	23630106	TUBE_B				0.03
33	23629405	PIPE_STOPPER_B				8
34	40032804	BASE				1
35	40125929	OIL_TANK				1
36	40013595	OIL_EXIT_CAP				1
37	RO098240100	RUBBER_RING				1
38	SL6051092TN	BOLT				3
39	SM8050412TP	SCREW M5 L=4				1
40	40169706	ECCENTRIC_CAM				1
41	40101719	PUMP_BASE_ASSY				1
42	40102249	PUMP_BASE_ASM.		*		1
43	40101715	PUMP_BASE_TOP		*		1
44	40101716	PUMP_BASE_BOTTOM		*		1
45	40101717	GASKET_SHEET		*		1
46	SM6031202TP	SCREW_M3X0.5_L=12		*		4
47	40101713	OVAL_PLUNGER		*		2

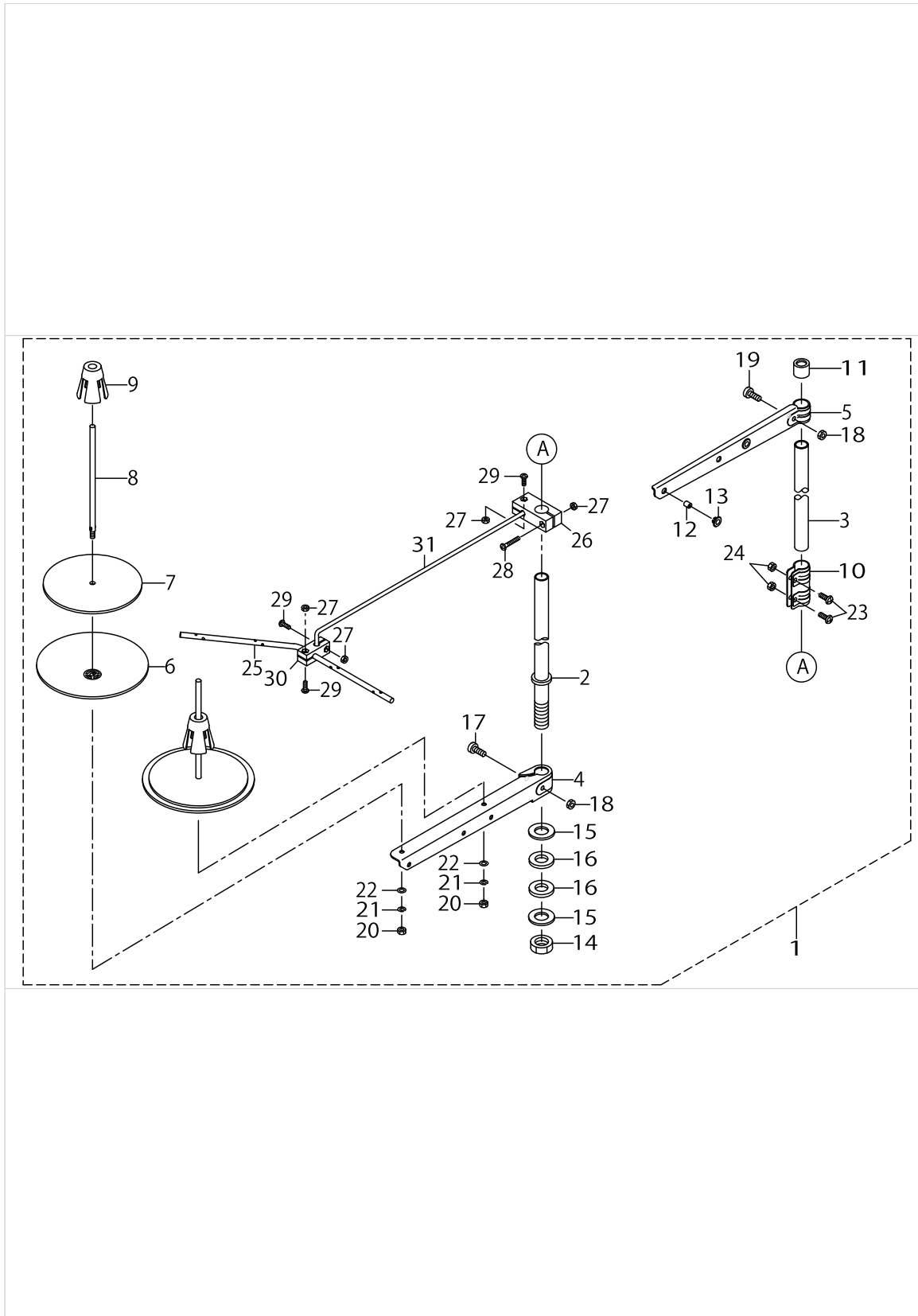
LUBRICATION COMPONENTS



LUBRICATION COMPONENTS

No.	Parts No.	Parts name	Remarks	Level	Cons	Qty
48	40116455	OVAL_O_RING		*		4
49	40116456	SPRING		*		2
50	40116457	FREE_VALVE		*		2
51	40116458	SPRING		*		2
52	40116459	CONNECTING_SCREW		*		2
53	40101714	PLUNGER_HOLD_PLATE		*		1
54	HX00150000M	CABLE_CLIP				1
55	SL4041091SC	SCREW_M4_L=10				1
56	EA9500B0100	CABLE_BAND				3
57	SQ2050452MZ	CONNECTING_SCREW				1
58	B1843563000	OIL_ADJUSTING_SCREW				1
59	40126582	RUBBER_PLUG				1
60	NM6050003SC	NUT_M5X0.8				1
61	SM6061802TP	SCREW_M6_L=18				1
62	23630007	TUBE				0.06
63	NS6110310SP	NUT_11/64-40				1
64	23630007	TUBE				0.33
65	CQ202000000	COTTON_OIL_WICK_D=2				0.05
66	13142609	OIL_TUBE HOLDER				3
67	SM6041802TP	SCREW_M4_L=18				1
68	CQ202000000	OIL_WICK				0.18
69	11015906	OIL_WICK				2
70	23630007	TUBE				0.03
71	23630007	TUBE				0.05
72	23630106	TUBE_B				0.09
73	CQ303000000	OIL_WICK				0.26
74	12210803	SPRING				2
75	23630007	TUBE				0.1
76	23630007	TUBE				0.04
77	40169707	PUMP_SPACER				1

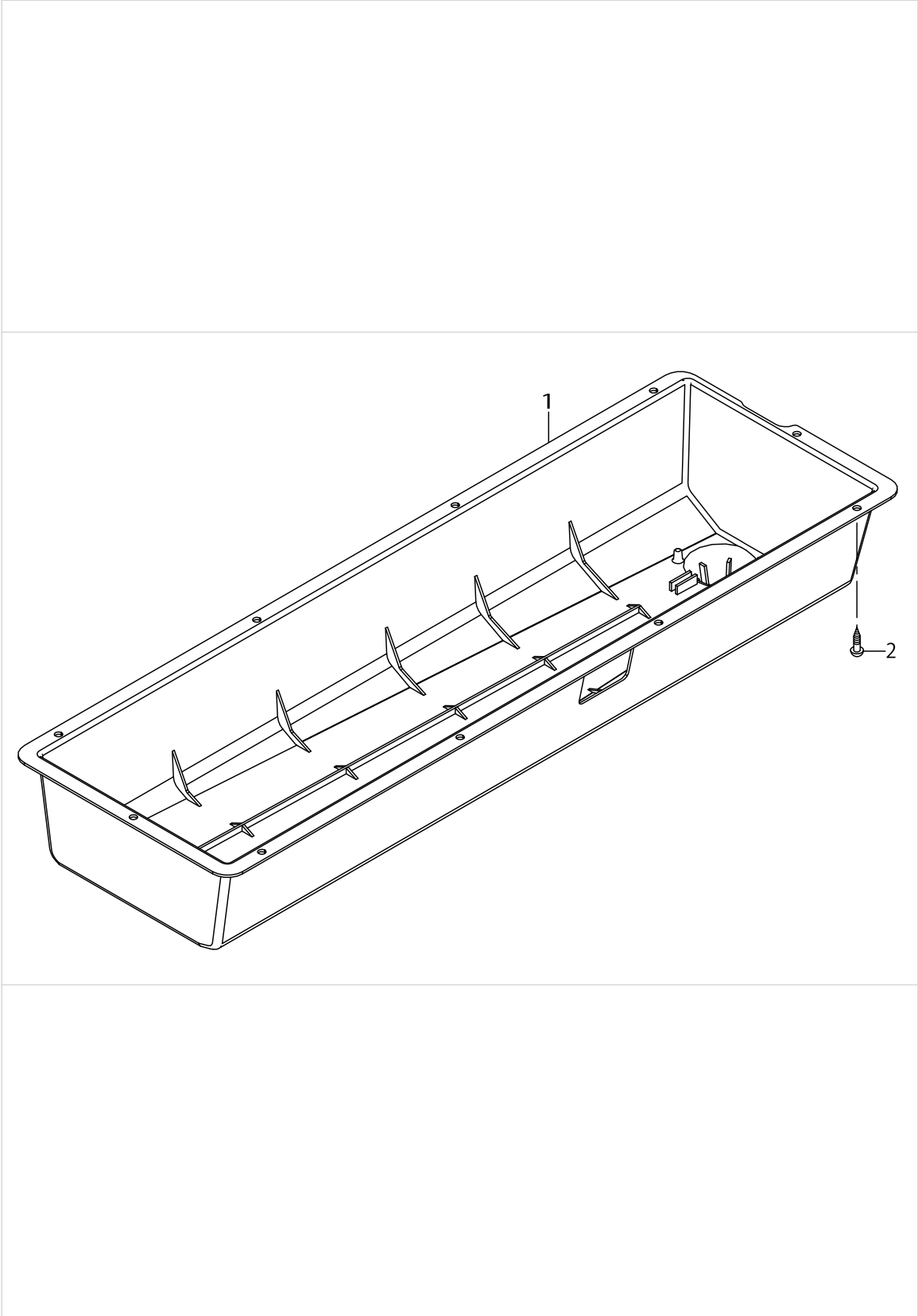
THREAD STAND COMPONENTS



THREAD STAND COMPONENTS

No.	Parts No.	Parts name	Remarks	Level	Cons	Qty
1	40142213	THREAD_STAND_PACKING				1
2	40085784	SPOOL_REST_ROD_LOWER		*		1
3	40085785	SPOOL_REST_ROD_UPPER		*		1
4	40085786	SPOOL_REST_ARM_LOWER		*		1
5	40085787	SPOOL_REST_ARM_UPPER		*		1
6	40085788	SPOOL_REST		*		2
7	40085789	SPOOL_REST_CUSHION		*		2
8	40085790	SPOOL_PIN		*		2
9	40085791	SPOOL_RETAINER		*		2
10	40085792	SPOOL_REST_ROD_JOINT		*		1
11	40085793	SPOOL_REST_ROD_RUBBER_CAP		*		1
12	40085794	THREAD_GUIDE		*		2
13	40085795	THREAD_GUIDE_BUSHING		*		2
14	40096325	SPOOL_REST_ROD_NUT		*		1
15	WP1612616SE	WASHER_16X30X2.6		*		2
16	40085796	SPOOL_REST_ROD_RUBBER_CUSHION		*		2
17	40096326	SPOOL_REST_ARM_LOWER_SCREW		*		1
18	NM6050001SE	NUT M5X0.8 TYPE1		*		2
19	40096327	SPOOL_REST_ARM_UPPER_SCREW		*		1
20	NM6050001SE	NUT M5X0.8 TYPE1		*		2
21	WS0510002KN	SPRING_WASHER_M5		*		2
22	WP0531001SC	WASHER_M5		*		2
23	SM4051405SE	SCREW_M5_L=14		*		2
24	NM6050001SE	NUT M5X0.8 TYPE1		*		2
25	40106582	THREAD_GUIDE_4		*		1
26	40106579	THREAD_GUIDE_ARM_BASE		*		1
27	NM6040002SC	NUT_M4X0.7 TYPE2		*		4
28	SM4042501SC	SCREW_M4X0.7_L=25		*		1
29	SM4041201SC	SCREW_M4X0.7_L=12		*		3
30	40106580	THREAD_GUIDE_UNDER_BASE		*		1
31	40106576	THREAD_GUIDE_ARM		*		1

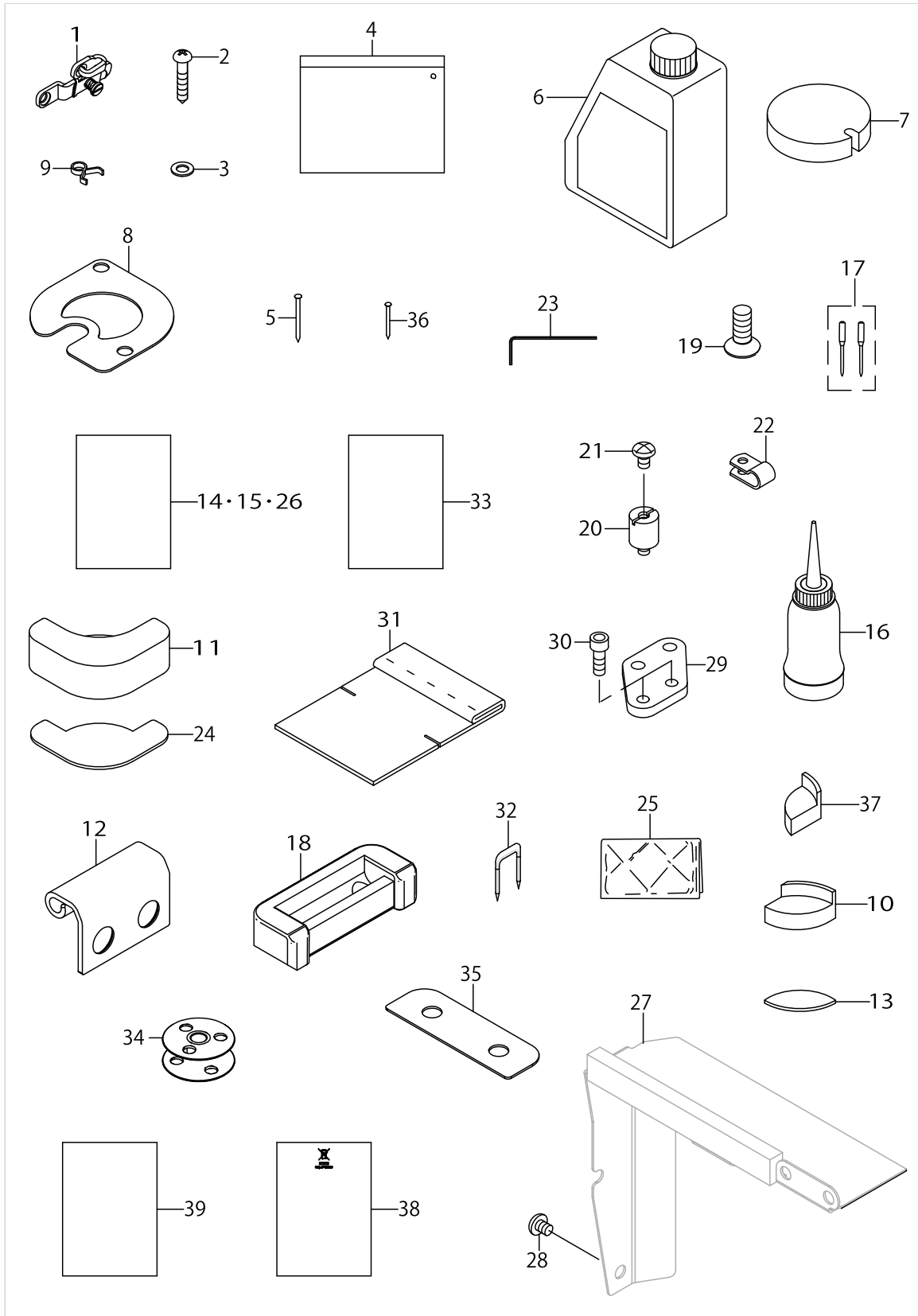
BOTTOM COVER COMPONENTS



BOTTOM COVER COMPONENTS

No.	Parts No.	Parts name	Remarks	Level	Cons	Qty
1	40126155	OIL_PAN				1
2	SK3482001SE	WOOD SCREW D=4.8 L=20				10

ACCESSORIES PARTS COMPONENTS



ACCESSORIES PARTS COMPONENTS

No.	Parts No.	Parts name	Remarks	Level	Cons	Qty
1	40034675	THREAD_GUIDE_ASM_E			☆	1
2	SK3452501SE	WOOD SCREW D=4.5 L=25				4
3	WP0550800SP	WASHER 5.5X10X0.8				4
4	21413158	ACCESSORY BAG ASM.				1
5	10539906	SET NAIL				6
6	40102087	JUKI_CORPORATION_GENUINE_OIL_7				1
7	40126405	OIL_FILTER				1
8	40126267	FELT HOLDER				1
9	23629306	PIPE STOPPER A				2
10	40151804	RUBBER_CUSHION_RIGHT				1
11	40151800	CUSHION_RUBBER				2
12	40125869	HINGE				2
13	40151805	RUBBER_CUSHION_SHEET				4
14	40191732	INSTRUCTION_MANUAL_CHINESE	FOR CHINA			1
15	40191730	INSTRUCTION_MANUAL_4K	EXCEPT CHINA			1
16	B91210120A0	OILER ASM.				1
17	MC321001402	NEEDLE 134-35 #140-2			☆	1
18	40164521	HINGE RUBBER				2
19	B1516210D00	SCREW				4
20	40126222	CP_SPACER				2
21	SM4050855SP	SCREW				2
22	HX00150000B	CABLE CLAMP				2
23	40079298	WRENCH				1
24	10740900	RUBBER				8
25	40048536	HEAD_COVER				1
26	40191731	INSTRUCTION_MANUAL_9K	FOR JE			1
27	40149045	OIL_SHIELD_PLATE_ASSY				1
28	SM4050655SP	SCREW M5 L=6				4
29	40112214	EDGE_GUIDE_FITTING_PLATE				1
30	SM6051402TP	SCREW M5X0.8 L=14				2
31	40133730	OIL FILTER				1
32	MAO11532000	CORD STAPLE				3
33	40189329	PARTS_LIST_2828ES				1
34	40147913	BOBBIN			☆	1
35	40163914	HINGE SPACER				2
36	22926208	NAIL				2
37	40151803	RUBBER_CUSHION_LEFT				1
38	CM600100201	WEEE INFORMATION SHEET	FOR JE			1
39	40142430	DECLARATION OF INCORPORATION (LU2800)	FOR JE			1

HOW TO MAKE USE OF THIS PARTS LIST

- 1.As to "#01" and "#02" refer to the "Note" given at the bottom of the respective pages.
- 2.Codes on the "Qty" column
 - Each numeral indicates the number of parts required.
 - "0.1" and "2.5" indicate the length (in meters) of the respective parts.
- 3.Parentheses mean that the corresponding part is a subpart that constructs an assembly part.
- 4.Dotted lines on the Figures indicate assembly parts.
- 5.As to the parts with marks of "☆"(Consumable parts)and "◎"(optional parts)on the respective parts, it is recommended to prepare spares.

1. リストページの# 0 1、# 0 2の印は、ページ下の"注記"の説明を参照下さい。
2. 数量欄の数字は、個数を表し、0. 1、2. 5等の数値は、長さ（単位メートル）を表します。
3. 数量欄の（ ）は、組部品を構成している子部品であることを意味します。
4. イラストページの-----枠は、組構成であることを意味します。
5. リストページの"☆"（消耗部品）、"◎"（オプション部品）の印が付いた部品は、予備を準備しておくことをお勧めします。

NUMERICAL INDEX OF PARTS

PART NO	PAGE	REF NO.	PART NO	PAGE	REF NO.	PART NO	PAGE	REF NO.
10320109	48	25	22618201	48	7	26231902	44	33
10539906	66	5	22618706	48	24	26260109	56	2
10546901	6	47	22901805	2	6	26260307	56	3
10697506	48	14	22902506	2	16	26260406	56	4
10712552	20	74	22904106	26	35	26260505	56	6
10721504	6	35	22904155	20	52	26260802	56	8
10740900	66	24	22904155	26	34	26261008	56	9
11015906	60	69	22911804	32	41	26261503	56	11
12210803	60	74	22912000	32	8	32055501	50	6
12288908	26	33	22912109	32	43	40006716	24	2
12938304	48	17	22912257	48	1	40010437	6	20
13142609	58	66	22921308	56	27	40010438	6	21
13142609	60	66	22921407	56	31	40010439	6	22
13409107	24	10	22921506	56	28	40010440	6	23
13424502	34	70	22921704	56	29	40010533	6	14
13718507	56	16	22926208	66	36	40010534	6	15
13737804	44	17	22935308	58	12	40010535	6	16
13765607	58	13	22945703	48	19	40011902	6	33
13817408	48	6	22945802	48	22	40012499	44	28
13860408	52	21	22949101	24	17	40013595	58	36
13951009	24	22	22951552	2	26	40021606	44	43
18035006	34	67·68	22954309	48	2	40023627	18	21
18035105	34	67·68	22956205	44	2	40028294	58	21
18035303	24	13	22957104	44	3	40032804	58	34
18035501	36	6	22957203	44	4	40034675	66	1
18035709	38	16	22963409	48	20	40036167	58	24
18035808	30	110	23542418	50	1	40038494	18	35
18035907	30	111	23605207	6	18	40038494	26	26
18036004	34	80·81	23628357	58	23	40048536	66	25
18036103	34	80·81	23629306	66	9	40069741	58	17
21387709	12	53	23629405	58	33	40075542	16	14
21387907	12	55	23630007	32	17	40075547	16	18
21413158	66	4	23630007	58	76	40075548	16	19
21470505	44	18	23630007	60	76	40079298	66	23
22528509	48	35	23630106	58	72	40079898	16	6
22528806	48	18	23630106	60	72	40079899	16	7
22529408	48	21	23630403	58	28	40079900	16	8
22606206	8	30~37	23630502	58	29	40079902	16	10
22606305	8	30~37	23630601	58	31	40079903	16	11
22606404	8	30~37	23630650	58	27	40079909	16	15
22607600	8	30~37	23632102	38	20	40079912	16	20
22607709	8	30~37	23638406	42	2	40085784	62	2
22607808	8	30~37	26017400	28	71	40085785	62	3
22607907	8	30~37	26018705	28	62	40085786	62	4
22617807	48	16	26229302	32	28	40085787	62	5

NUMERICAL INDEX OF PARTS

PART NO	PAGE	REF NO.	PART NO	PAGE	REF NO.	PART NO	PAGE	REF NO.
40085788	62	6	40112188	24	15	40123666	26	1
40085789	62	7	40112191	36	7	40123667	26	4
40085790	62	8	40112192	36	11	40125843	26	13
40085791	62	9	40112199	20	48	40125844	56	25
40085792	62	10	40112204	48	9	40125850	20	50
40085793	62	11	40112214	66	29	40125851	56	7
40085794	62	12	40112215	40	3	40125854	18	9
40085795	62	13	40112216	40	5	40125856	26	22
40085796	62	16	40112218	48	10	40125857	26	25
40086018	24	24	40112219	48	11	40125864	32	22
40086679	50	15	40112228	38	9	40125867	18	22
40088958	56	26	40112240	10	15	40125869	66	12
40088959	56	30	40112246	58	15	40125872	38	4
40090058	18	17	40112251	44	20	40125873	48	4
40094561	2	44	40112252	14	15	40125876	20	71
40096325	62	14	40112267	34	55	40125920	32	39
40096326	62	17	40112270	8	10	40125926	18	46
40096327	62	19	40112272	8	9	40125927	56	13
40101713	58	47	40112274	6	10	40125928	56	24
40101714	60	53	40112281	32	13	40125929	58	35
40101715	58	43	40112282	32	14	40125930	6	34
40101716	58	44	40112285	50	11	40125935	28	65
40101717	58	45	40112312	6	24	40125943	18	18
40101719	58	41	40112318	58	14	40125948	50	2
40102087	66	6	40112320	58	1	40125949	50	4
40102249	58	42	40113224	12	61	40125950	6	27
40102261	2	4	40116455	60	48	40126116	32	20
40105508	40	1	40116456	60	49	40126127	52	18
40105509	40	4	40116457	60	50	40126130	44	35
40105510	40	2	40116458	60	51	40126150	24	4
40106576	62	31	40116459	60	52	40126151	26	15
40106579	62	26	40122887	32	42	40126155	64	1
40106580	62	30	40123252	26	29	40126160	18	31
40106582	62	25	40123262	18	28	40126221	2	32
40112087	6	1	40123319	18	27	40126222	66	20
40112091	6	30	40123320	18	29	40126223	18	34
40112092	6	37	40123321	18	30	40126259	42	4
40112094	6	42	40123340	10	20	40126263	50	3
40112106	6	26	40123345	20	72	40126264	18	37
40112127	32	11	40123345	28	67	40126265	48	3
40112128	32	12	40123346	28	70	40126267	66	8
40112140	38	5	40123414	18	39	40126269	18	36
40112152	8	6	40123547	26	16	40126311	56	14
40112184	24	3	40123626	26	14	40126321	6	12
40112187	24	14	40123629	28	68	40126338	18	33

NUMERICAL INDEX OF PARTS

PART NO	PAGE	REF NO.	PART NO	PAGE	REF NO.	PART NO	PAGE	REF NO.
40126339	26	28	40131602	26	27	40139043	10	30
40126351	14	1	40131603	38	2	40142200	32	2
40126354	56	10	40131604	38	8	40142201	32	3
40126355	56	1	40131605	34	83	40142208	38	10
40126357	26	12	40131607	30	104	40142213	62	1
40126359	28	66	40131608	38	6	40142430	66	39
40126360	14	7	40131609	32	30	40143077	6	32
40126364	24	6	40131610	32	38	40143082	10	3
40126367	24	1	40131616	44	41	40143083	6	29
40126372	10	25	40131617	44	29	40143084	10	27
40126373	48	5	40131619	30	98	40143087	28	50
40126374	18	45	40131625	2	42	40143088	6	13
40126382	12	52	40131631	26	30	40143185	12	38~51
40126390	18	32	40131633	44	10	40143188	12	38~51
40126391	14	6	40131635	44	11	40143221	8	12
40126400	20	49	40131636	44	6	40143553	52	15
40126401	26	10	40131637	44	14	40143581	12	38~51
40126404	48	12	40131638	44	8	40143624	32	69
40126405	66	7	40131640	44	7	40143624	34	69
40126545	52	4	40131641	54	1	40144283	24	5
40126549	56	23	40133730	66	31	40145548	18	42~44
40126550	56	12	40134532	6	46	40145549	18	42~44
40126562	50	14	40134545	6	45	40145550	18	42~44
40126563	50	13	40134805	2	13	40147912	16	1
40126582	60	59	40134834	2	28	40147913	16	21
40126594	56	5	40134967	46	49	40147913	66	34
40126642	32	46	40134993	34	49	40147915	14	3
40126643	32	47	40134994	34	51	40147918	2	10
40126724	48	13	40135472	14	9	40147919	2	23
40127041	8	7	40135473	14	4	40147925	52	9
40127056	2	11	40135475	14	8	40147926	44	46
40130277	6	25	40135498	44	12	40147927	44	39
40130593	44	15	40135816	30	105	40147928	44	42
40130704	2	15	40135860	32	37	40147929	44	45
40130706	2	21	40135897	44	26	40147930	44	5
40131591	32	21	40135955	46	50	40147932	46	57~61
40131592	34	82	40137611	52	8	40147933	46	57~61
40131593	38	3	40137971	54	2	40147934	46	57~61
40131594	32	24	40138020	30	106	40147935	46	57~61
40131595	34	84	40138418	10	38~51	40147936	46	57~61
40131596	32	44	40138419	10	38~51	40147937	46	52
40131597	30	100	40138420	10	38~51	40147938	46	54
40131599	32	6	40138421	10	38~51	40147939	2	38
40131600	34	58	40138422	10	38~51	40147944	2	12
40131601	32	5	40138423	12	38~51	40148037	16	16

NUMERICAL INDEX OF PARTS

PART NO	PAGE	REF NO.	PART NO	PAGE	REF NO.	PART NO	PAGE	REF NO.
40149030	16	2	40151804	66	10	40169684	20	67~70
40149032	16	4	40151805	66	13	40169685	20	85
40149033	16	5	40152022	56	34	40169686	20	75
40149034	16	9	40153570	34	90~92	40169686	26	5
40149035	16	12	40153571	34	90~92	40169687	20	64
40149036	16	13	40153572	34	90~92	40169688	26	2
40149037	16	17	40154199	18	19	40169689	2	30
40149039	32	15	40154832	28	94	40169690	28	89
40149040	2	24	40154833	28	92	40169693	28	84~88
40149041	4	48	40160242	6	43	40169697	26	23
40149043	44	27	40163914	66	35	40169698	26	24
40149044	54	4	40164521	66	18	40169702	34	86
40149045	66	27	40169642	2	8	40169706	58	40
40149047	16	3	40169644	6	2	40169707	60	77
40149115	20	87~90	40169647	6	4	40171403	8	19~23
40149115	28	80~83	40169649	8	19~23	40171574	18	23
40149116	20	87~90	40169650	8	19~23	40171795	28	73~75
40149116	28	80~83	40169651	8	29	40171796	28	73~75
40149117	20	87~90	40169652	8	24~28	40171797	28	73~75
40149117	28	80~83	40169653	8	24~28	40171825	30	95
40149118	20	87~90	40169654	8	24~28	40173071	18	20
40149118	28	80~83	40169656	8	1	40174550	20	67~70
40149120	20	91~94	40169657	8	3	40174551	20	67~70
40149120	26	17~20	40169658	8	4	40174552	28	84~88
40149121	20	91~94	40169659	8	2	40174553	28	84~88
40149121	26	17~20	40169662	10	2	40174557	8	19~23
40149122	20	91~94	40169664	10	5	40174558	8	19~23
40149122	26	17~20	40169665	10	34	40174559	8	24~28
40149123	20	91~94	40169666	10	32	40174560	8	24~28
40149123	26	17~20	40169667	10	16	40176440	30	97
40149125	22	95~98	40169668	10	9	40176628	18	7
40149125	28	76~79	40169669	12	56	40176783	12	54
40149126	22	95~98	40169671	10	19	40178095	18	3
40149126	28	76~79	40169672	12	57	40178169	18	6
40149127	22	95~98	40169673	10	11	40178171	18	8
40149127	28	76~79	40169674	18	1	40178188	8	41
40149128	22	95~98	40169675	18	4	40178330	10	4
40149128	28	76~79	40169676	18	5	40178333	18	47
40149304	54	5	40169677	18	12	40178995	28	84~88
40150059	32	1	40169678	18	2	40178996	28	84~88
40150131	2	46	40169679	18	38	40181045	20	57
40151791	56	15	40169680	18	40	40181687	6	41
40151799	2	5	40169681	18	16	40181864	42	5
40151800	66	11	40169682	20	51	40182474	6	40
40151803	66	37	40169683	20	67~70	40182475	6	38

NUMERICAL INDEX OF PARTS

PART NO	PAGE	REF NO.	PART NO	PAGE	REF NO.	PART NO	PAGE	REF NO.
40182476	6	36	B3031141H00	36	3	HX00055000E	4	50
40182477	6	31	B3112704000	48	8	HX00150000B	66	22
40182812	20	86	B3126012000	48	31	HX00150000C	52	6
40183718	42	17	B31375270A0	48	15	HX00150000H	52	25
40183719	42	18	B3538112000	10	23	HX00150000M	52	26
40183720	42	16	B91210120A0	66	16	HX00150000M	60	54
40183737	42	19	BT0400251EB	24	12	MAO11532000	66	32
40183739	42	20	BT0400251EB	30	109	MC321001400	8	40
40183808	42	1	BT0400251EB	34	78·79	MC321001402	66	17
40184595	42	6	BT0400251EB	36	2	NM6030001SC	50	7
40184596	42	7	BT0400251EB	38	13	NM6040002SC	62	27
40184597	42	8	BT0400251EB	52	13	NM6050001SD	30	103
40185715	38	19	BT0600401EB	52	1	NM6050001SD	32	29
40186027	38	21	BT0800501EB	52	2	NM6050001SE	38	18
40186388	38	22	CM300200001	2	14	NM6050001SE	62	24
40186537	38	25	CM600100101	2	45	NM6050001SP	52	22
40189273	2	1	CM600100201	66	38	NM6050003SC	60	60
40189275	10	1	CQ202000000	20	83	NM6060001SD	18	25
40189277	26	6	CQ202000000	26	48	NM6060001SD	32	18
40189282	26	7	CQ202000000	28	48	NS6110310SP	44	21
40189290	26	11	CQ202000000	60	68	NS6110310SP	48	23
40189329	66	33	CQ252000000	8	16	NS6110310SP	58	63
40191730	66	14·15·26	CQ252000000	20	79	NS6110310SP	60	63
40191731	66	14·15·26	CQ303000000	58	73	NS6680410SP	28	63
40191732	66	14·15·26	CQ303000000	60	73	PA200150900	32	66
B111105100B	2	41	CS100081CSP	34	72	PA200150900	34	66
B1111563000	2	35	CS1201171TP	34	71	PA200200500	30	102
B1223771000	18	15	CS1501181TP	28	90	PA250250900	36	12
B125578100A	26	32	CS1701181TP	8	17	PA400150200	24	16
B1308055000	12	58	D1231555B00	10	28	PF055107000	52	16
B1310055000	12	59	D1231555B00	26	31	PJ025100003	52	20
B1314055000	12	60	D2112555B00	2	40	PJ032052503	30	112
B1412051000	8	15	D2629M1YC0F	32	27	PJ046052503	34	74
B1438512B00	8	30~37	E2613700000	18	26	PJ046052503	38	14
B1504210000	36	1	E8760452D00	42	11	PJ046052503	52	12
B1516210D00	66	19	EA9500B0100	32	45	PJ301040001	52	19
B1639051000	10	14	EA9500B0100	42	26	PJ304040504	36	5
B1843563000	58	58	EA9500B0100	50	16	PJ304045102	24	21
B1843563000	60	58	EA9500B0100	52	29	PJ305065107	52	17
B185351200E	44	1	EA9500B0100	60	56	PS0350102KR	32	50
B255728000A	10	38~51	EA9500B0200	52	28	PS0350102KR	34	50
B255728000B	10	38~51	HA004680000	42	12	PV150206000	52	11
B255728000C	10	38~51	HK063610220	42	10	PV150209000	52	5
B255728000D	10	38~51	HK075230000	42	9	RC0150001KP	20	53
B255728000E	10	38~51	HW000840040	42	14	RC0150001KP	26	37

NUMERICAL INDEX OF PARTS

PART NO	PAGE	REF NO.	PART NO	PAGE	REF NO.	PART NO	PAGE	REF NO.
RC0560711KP	14	2	SL4051091SC	38	1	SM6040650TP	20	59
RC0560711KP	56	17	SL6051092TN	58	38	SM6040650TP	28	69
RC0650811KP	28	49	SL6052092TN	6	5	SM6040802TP	14	11
RC0740816K0	10	37	SM0030601SC	56	18	SM6040802TP	42	22
RC2400002KP	10	36	SM0050801SC	20	61	SM6040802TP	44	25
RE0300000K0	46	53	SM0051001SC	56	32	SM6040802TP	58	16
RE0320000K0	36	4	SM1030601SN	44	47	SM6040860TP	42	21
RE0400000K0	24	23	SM1040750TP	2	43	SM6041002TP	44	19
RE0500000K0	10	13	SM1051052TN	2	37	SM6041202TP	44	30
RE0500000K0	48	36	SM1061201SN	12	63	SM6041802TP	60	67
RE0600000K0	18	13	SM4021601SN	42	3	SM6050800SP	28	72
RE1200000K0	10	29	SM4030501SC	38	24	SM6050802TP	24	9
RE1200000K0	26	38	SM4040655SP	2	36	SM6050802TP	34	59
RO037180100	48	26	SM4040655SP	44	34	SM6050802TP	38	11
RO092270200	32	56	SM4040855SP	2	27	SM6050802TP	52	10
RO092270200	34	56	SM4040855SP	52	27	SM6051000SP	20	60
RO098240100	58	37	SM4040855SP	58	22	SM6051202TP	10	6
SB108000600	10	35	SM4041201SC	62	29	SM6051202TP	32	87
SB108002400	6	44	SM4042501SC	62	28	SM6051202TP	34	87
SB117000700	28	51	SM4050501SC	8	11	SM6051202TP	52	24
SB120001800	6	17	SM4050655SP	66	28	SM6051400SP	32	33
SB120001800	10	8	SM4050855SP	2	9	SM6051402TP	66	30
SB125000600	20	58	SM4050855SP	32	32	SM6051602TP	30	101
SB30800140A	44	32	SM4050855SP	48	37	SM6051602TP	34	62
SD0450401SP	48	27	SM4050855SP	66	21	SM6051802TP	24	8
SD0500726TP	44	16	SM4051001SN	48	33	SM6054002TN	30	107
SD0550271TP	50	8	SM4051055SP	2	29	SM6054502TN	24	20
SD0640322TP	12	62	SM4051255SP	50	12	SM6054502TP	32	19
SD0650321TP	44	22	SM4051405SE	62	23	SM6054502TP	36	10
SD0800329TP	44	24	SM4055501SC	2	3	SM6056552TP	38	15
SD0800346TP	34	57	SM5030801SC	42	15	SM6061002TP	36	8
SD0800406TP	34	89	SM5040655SN	56	19	SM6061002TP	38	12
SD0800406TP	38	17	SM5050855SN	38	7	SM6061010TP	34	60
SD0800426TP	34	63	SM6030602TP	44	23	SM6061202TP	20	62
SD0802126TP	18	24	SM6030602TP	50	9	SM6061202TP	44	38
SD0900426TP	34	48	SM6030602TP	52	14	SM6061402TP	28	61
SD1021251SP	26	21	SM6031202TP	56	20	SM6061402TP	32	26
SK3452501SE	66	2	SM6031202TP	58	46	SM6061602TP	24	19
SK3482001SE	52	30	SM6040502TP	10	22	SM6061602TP	28	52
SK3482001SE	64	2	SM6040600SP	4	49	SM6061602TP	34	61
SL4040691SC	42	28	SM6040602TP	10	21	SM6061602TP	36	9
SL4040881SC	32	31	SM6040602TP	42	24	SM6061802TP	10	31
SL4041091SC	52	3	SM6040650TP	8	8	SM6061802TP	28	99
SL4041091SC	60	55	SM6040650TP	10	24	SM6061802TP	30	99
SL4041491SC	40	6	SM6040650TP	18	59	SM6061802TP	60	61

NUMERICAL INDEX OF PARTS

PART NO	PAGE	REF NO.	PART NO	PAGE	REF NO.	PART NO	PAGE	REF NO.
SM6062002TP	20	63	SQ2050452MZ	60	57	WP1252210SC	10	18
SM6062502TP	28	93	SS1090520TP	46	56	WP1612616SE	62	15
SM6081552TP	24	18	SS2060310SP	8	13	WS0510002KN	52	23
SM6850400SP	46	51	SS3090710TP	48	28	WS0510002KN	62	21
SM8030312TP	46	48	SS4090515SP	50	5	WT1780011KP	32	25
SM8030412TP	30	96	SS4110615SP	48	29	WZ1052010KP	24	11
SM8040412TP	2	39	SS6090580TP	44	55			
SM8040412TP	28	54	SS6090580TP	46	55			
SM8040612TP	14	12	SS6111052TP	28	60			
SM8050412TP	10	33	SS6121860SP	32	65			
SM8050412TP	32	88	SS6121860SP	34	65			
SM8050412TP	34	88	SS7090910TP	8	5			
SM8050412TP	58	39	SS7110740TP	38	23			
SM8050502TP	56	21	SS8080410TP	8	14			
SM8050512TP	28	91	SS8110422TP	26	39			
SM8050612TP	14	14	SS8110422TP	44	44			
SM8050612TP	18	10	SS8110520TP	34	73			
SM8050612TP	54	3	SS8111010TP	12	64			
SM80506A2TP	10	26	SS8660610TP	26	36			
SM80506A2TP	28	57	SS8661012TP	48	34			
SM80506A2TP	44	37	TA0500301R0	8	39			
SM8050812TP	6	28	TA0620504R0	8	38			
SM8050812TP	28	56	TA1030402R0	2	17			
SM8050842TP	28	55	TA1250406R0	2	19			
SM8051002TP	56	33	TA1270502R0	2	18			
SM8060412TP	32	35	TA1650406R0	2	47			
SM8060552TP	20	66	WP0320501SE	50	10			
SM8060612TP	6	6	WP0430800SD	20	84			
SM8060612TP	8	18	WP0430800SD	42	25			
SM8060612TP	14	13	WP0450000SD	44	31			
SM8060612TP	24	7	WP0450801SD	42	27			
SM8060612TP	34	85	WP0450826SC	56	22			
SM80606A2TP	10	65	WP0450846SP	58	20			
SM80606A2TP	12	65	WP0460556SD	48	32			
SM80606A2TP	20	65	WP0501016SD	48	30			
SM80606A2TP	28	58	WP0531001SC	62	22			
SM8060812TP	6	9	WP0550800SP	66	3			
SM8060812TP	10	10	WP0612066SP	14	10			
SM80608A2TP	6	19	WP0650216KD	22	100			
SM80608A2TP	18	99	WP0651001SC	20	73			
SM80608A2TP	22	99	WP0740516SP	14	5			
SM80608A2TP	28	59	WP0740516SP	26	64			
SM80608A2TP	42	23	WP0740516SP	28	64			
SM8061002TP	44	9	WP0820516SP	6	8			
SM8080812TP	6	7	WP0820516SP	18	14			