

MODEL : PS-700

List No : 1703-00

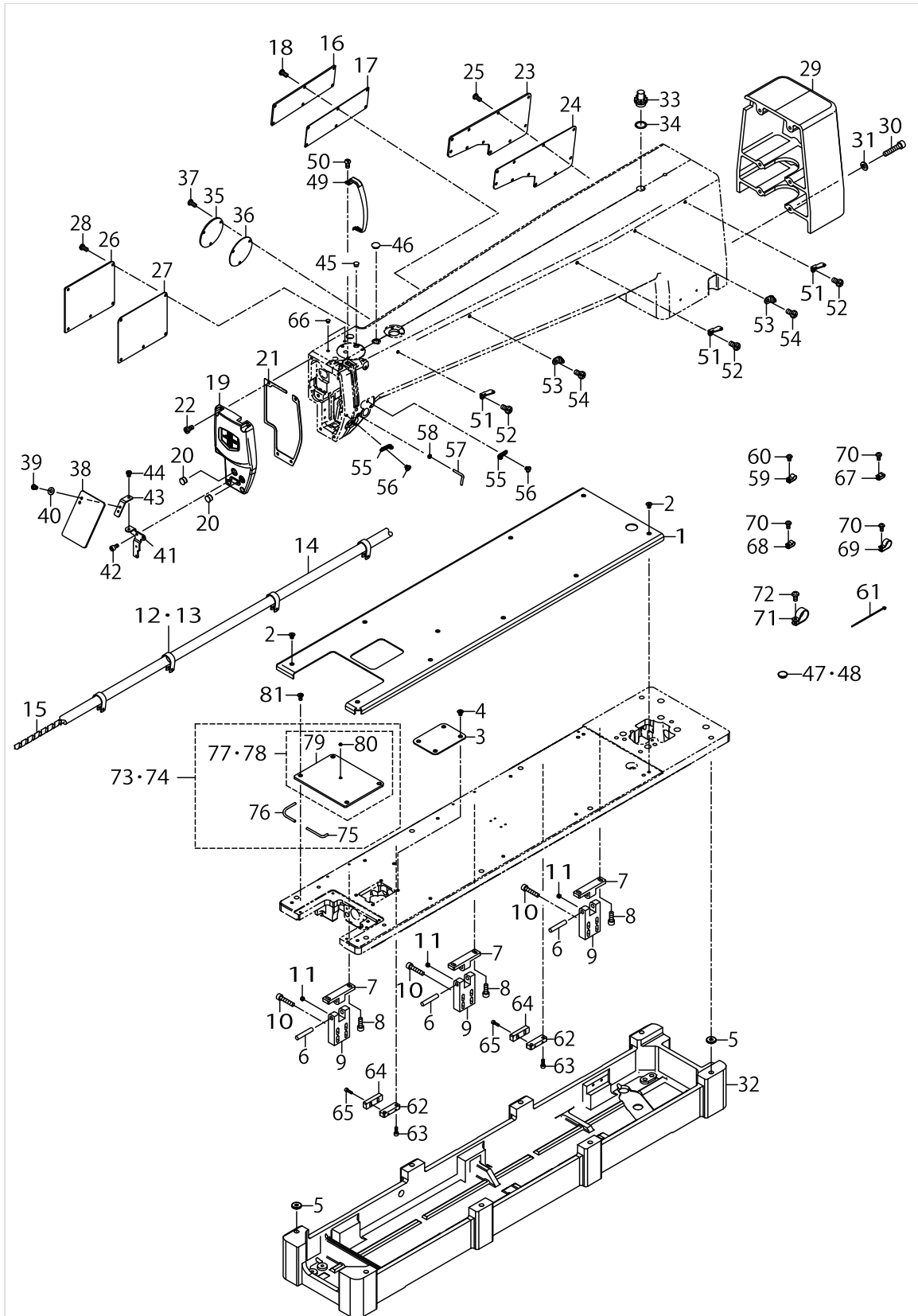
PARTS LIST

Published:10/18/2017

CONTENTS

FRAME & MISCELLANEOUS COVER COMPONENTS (B).....	1
MAIN SHAFT ASSY (B)	5
AIR BLOW & PRESSER COMPONENTS (B).....	7
NEEDLE BAR & THREAD TAKE UP COMPONENTS (B).....	11
THREAD TRIMMER COMPONENTS (B).....	13
Y FEEDER COMPONENTS.....	15
X FEEDER COMPONENTS.....	17
HOOK SHAFT ASSY (B)	21
THREAD DETECT ASM.....	23
THREAD TENSION & NEEDLE COOLER ASM COMPONENTS	27
PEN STICK ASM (OPTIONAL PARTS).....	31
PANEL SUPPORT COMPONENTS.....	33
OIL LUBRICATION COMPONENTS	35
TABLE COMPONENTS (1).....	39
TABLE COMPONENTS (2).....	45
THREAD STAND COMPONENTS.....	47
ACCESSORIE PARTS COMPONENTS.....	49
ELECTRIC COMPONENTS.....	53
PNEUMATIC COMPONENTS	55

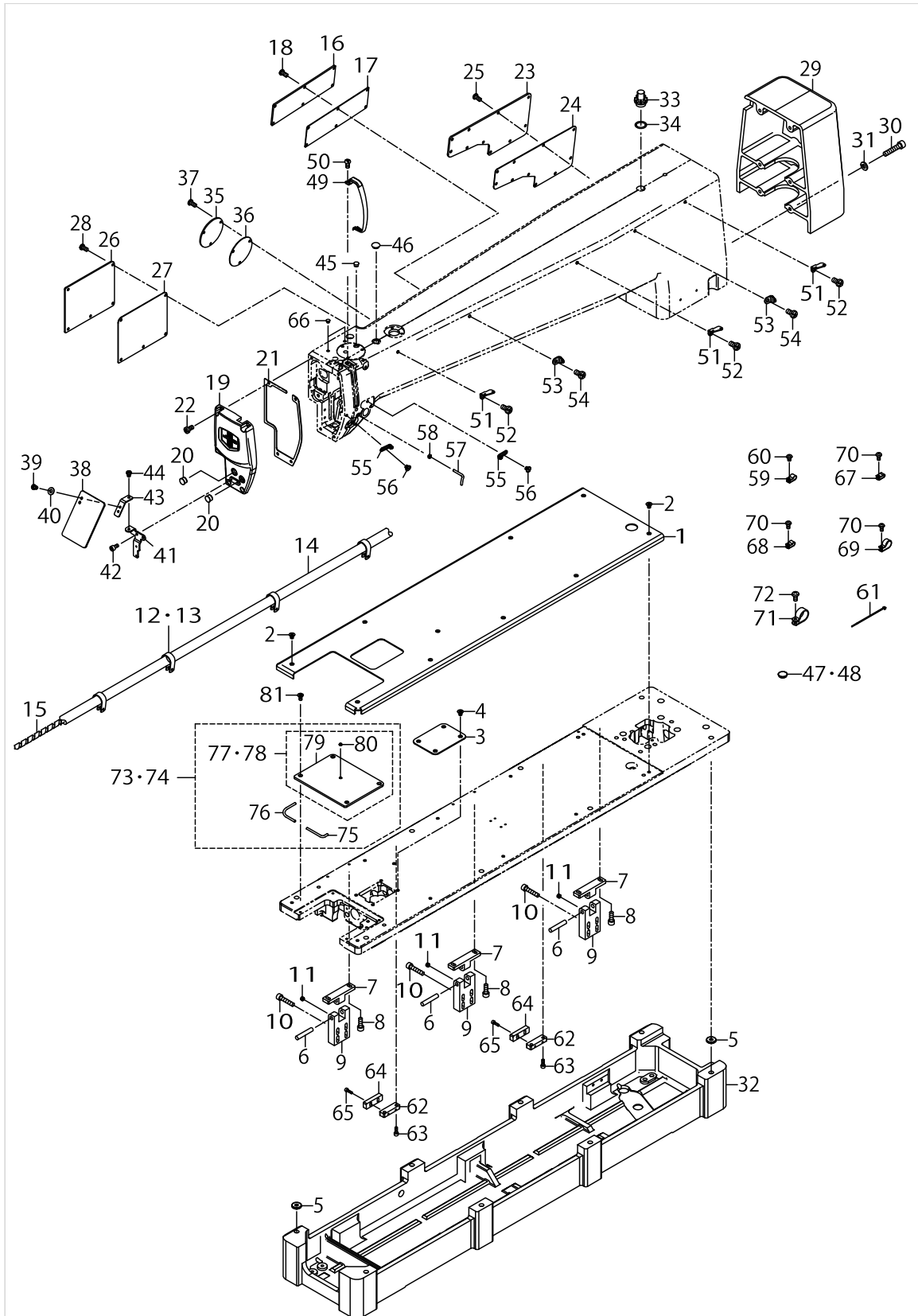
FRAME & MISCELLANEOUS COVER COMPONENTS (B)



FRAME & MISCELLANEOUS COVER COMPONENTS (B)

No.	Parts No.	Parts name	Remarks	Level	Cons	Qty
1	40173928	BED_COVER				1
2	-	-				10
3	-	-				1
4	-	-				4
5	-	-				8
6	-	-				3
7	-	-				3
8	-	-				6
9	-	-				3
10	-	-				12
11	-	-				6
12	HX00150000K	CABLE CLIP				4
13	HX00150000M	CABLE CLAMP	OPTIONAL PARTS			4
14	40173773	TUBE				1.55
15	HX00314000A	SPIRAL TUBE				0.82
16	-	-				1
17	40173574	SIDE_COVER_MIDDLE_PACKING				1
18	-	-				6
19	40173598	FACE_COVER				1
20	-	-				2
21	40173576	FACE_COVER_PACKING				1
22	-	-				4
23	-	-				1
24	40173577	SIDE_COVER_REAR_PACKING				1
25	40173758	SCREW				10
26	40173938	SIDE_COVER_FRONT				1
27	40173578	SIDE_COVER_FRONT_PACKING				1
28	40173758	SCREW				5
29	-	-				1
30	-	-				6
31	-	-				6
32	40173941	OIL_TANK_LARGE				1
33	-	-				1
34	-	-				1
35	40173988	SIDE_COVER_D				1
36	40173946	SIDE_COVER_D_PACKING				1
37	40173758	SCREW				3
38	26037200	SAFETY PLATE				1
39	SM4040601SC	SCREW M4X0.7 L=6				2
40	WP0450801SC	WASHER 4.5X10X0.8				2
41	40173579	BASE_PLATE				1
42	SM6040802TP	SCREW M4X0.7 L=8				2
43	40173580	LINK_PLATE				1
44	SM4040555SP	SCREW				1
45	TA0850604R0	RUBBER PLUG				1
46	TA1250504R0	RUBBER PLUG				1
47	-	-				1

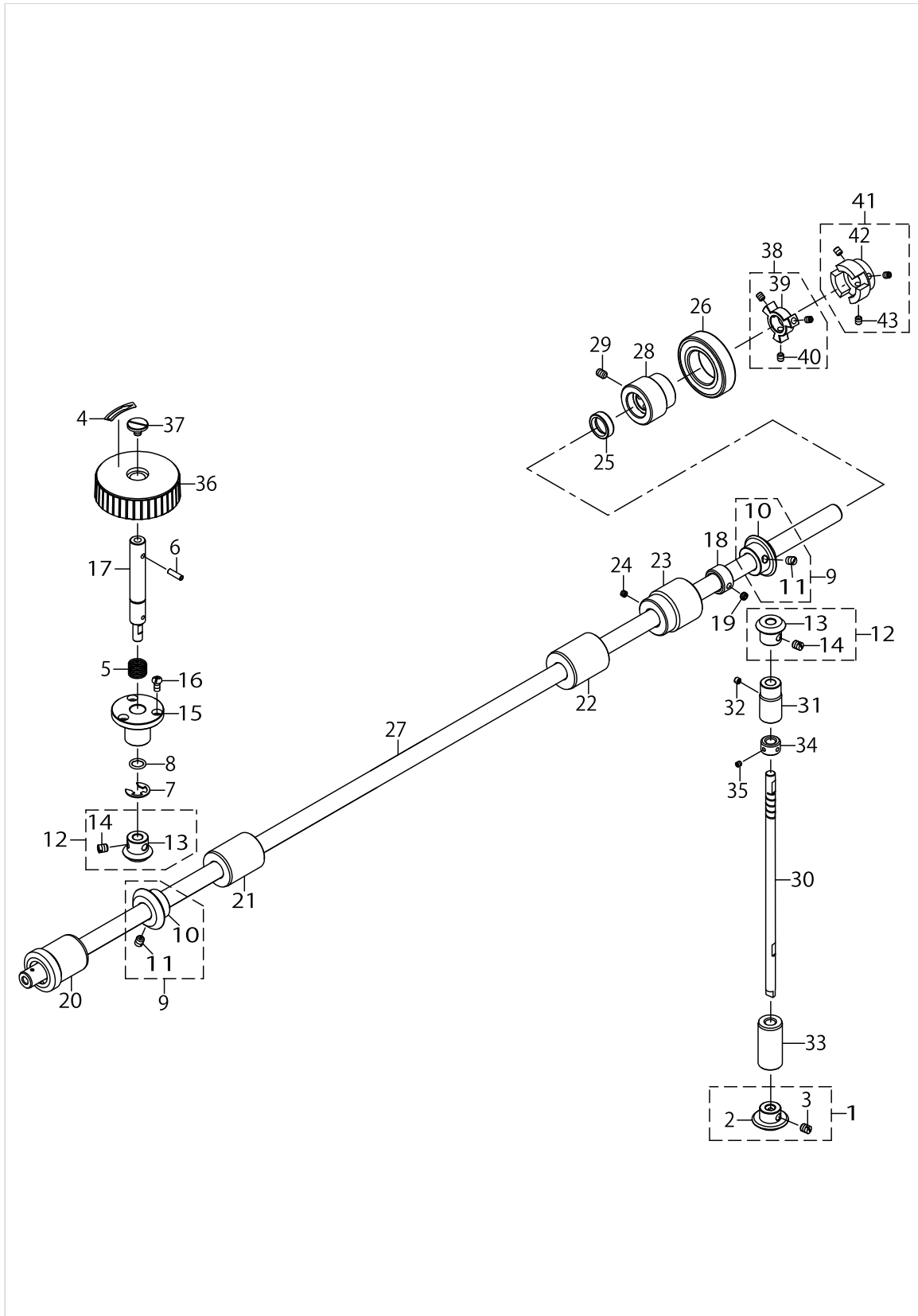
FRAME & MISCELLANEOUS COVER COMPONENTS (B)



FRAME & MISCELLANEOUS COVER COMPONENTS (B)

No.	Parts No.	Parts name	Remarks	Level	Cons	Qty
48	-	-				1
49	-	-				1
50	40173758	SCREW				1
51	26211904	THREAD GUIDE PLATE				3
52	-	-				3
53	40010414	THREAD_GUIDE_NO.1				2
54	-	-				2
55	-	-				2
56	-	-				2
57	40025414	L_SHAPED_THREAD_GUIDE				1
58	NM6040000SN	NUT M4 TYPE1				1
59	HX00150000C	CABLE CLAMP				1
60	SM4040655SP	SCREW M4 L=6				1
61	EA9500B0100	CABLE BAND				4
62	-	-				2
63	-	-				4
64	-	-				2
65	-	-				4
66	TA0620504R0	CAP				2
67	HX00150000A	CABLE CLAMP				1
68	HX00150000B	CABLE CLAMP				2
69	HX00150000H	CABLE CLAMP				1
70	SM4040855SP	SCREW				4
71	HX00150000M	CABLE CLAMP				4
72	SS4121015SP	SCREW 3/16-28 L=10				4
73	40186575	NEEDLE_HOLE_GUIDE_ASSY_D16				1
74	40186576	NEEDLE_HOLE_GUIDE_ASSY_D20	OPTIONAL PARTS			1
75	40186578	O RING RIGHT		*		1
76	40186579	O RING LEFT		*		1
77	40174017	NEEDLE_HOLE_GUIDE_ASSY_D16		*		1
78	40174016	NEEDLE_HOLE_GUIDE_ASSY_D20	OPTIONAL PARTS	*		1
79	40173572	NEEDLE_HOLE_GUIDE_BASE		*		1
80	40173582	NEEDLE_HOLE_GUIDE		*		1
81	40173987	SCREW				4

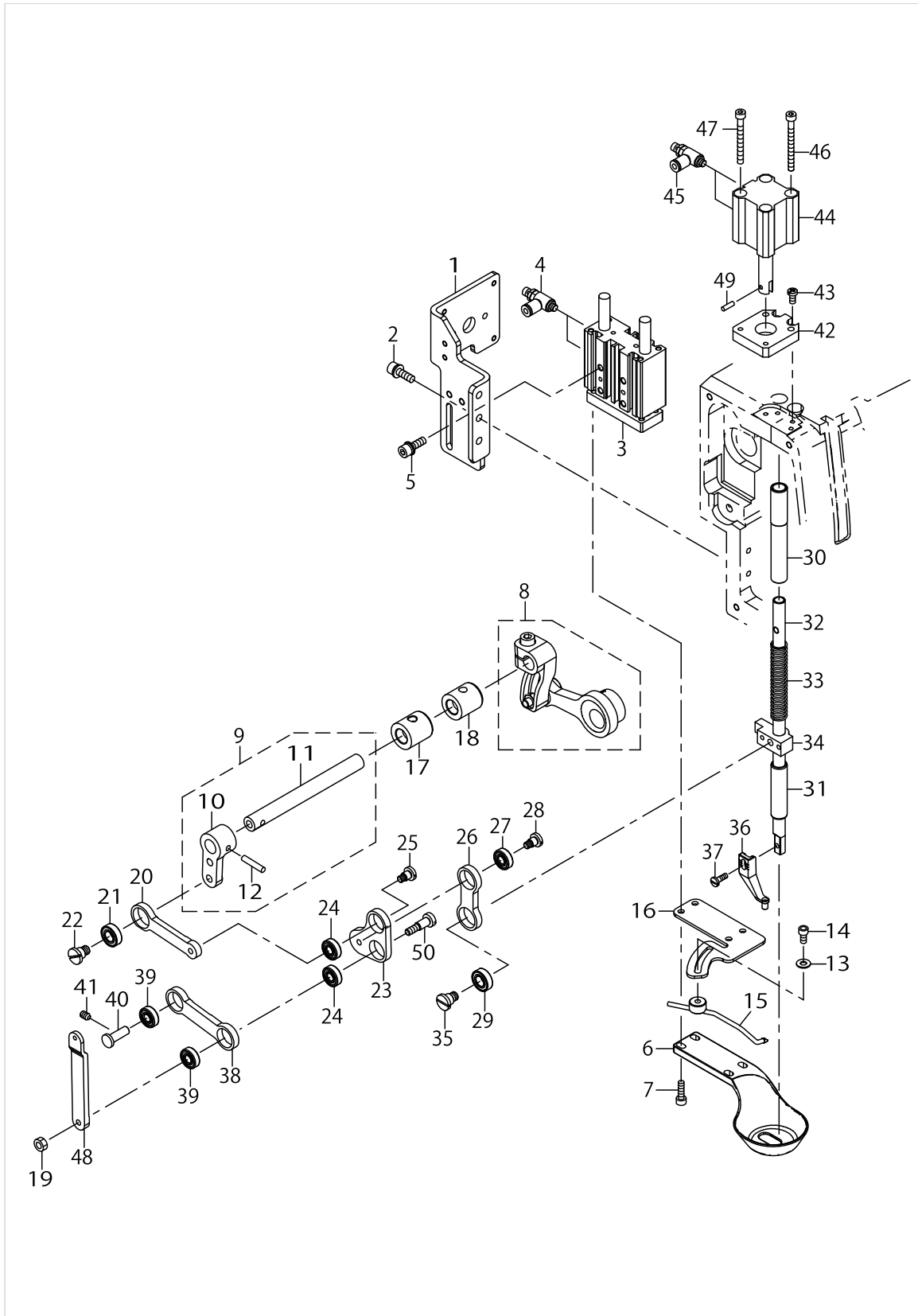
MAIN SHAFT ASSY (B)



MAIN SHAFT ASSY (B)

No.	Parts No.	Parts name	Remarks	Level	Cons	Qty
1	40090004	LOWER LARGE BEVEL GEAR ASM.				1
2	40090008	LOWER LARGE BEVEL GEAR		*		1
3	SS8660810TP	SCREW 1/4-40 L=8		*		2
4	CM500200001	ROTATE DIRECTION LABEL				1
5	GAF01007000	SPRING				1
6	PS0400142KH	SPRING PIN 4X14				1
7	RE1000000K0	E-RING 10				1
8	RO098190100	O-RING				1
9	40090002	UPPER LARGE BEVEL GEAR ASM.				2
10	40090006	UPPER LARGE BEVEL GEAR		*		1
11	SS8660810TP	SCREW 1/4-40 L=8		*		2
12	40090003	UPPER SMALL BEVEL GEAR ASM.				2
13	40090007	UPPER SMALL BEVEL GEAR		*		1
14	SS8660810TP	SCREW 1/4-40 L=8		*		2
15	40174020	PULLEY_SPRING_PLATE				1
16	40173758	SCREW				3
17	40173759	PULLEY_SHAFT				1
18	-	-				1
19	-	-				2
20	40173590	MAIN_SHAFT_FRONT_BUSHING				1
21	40173556	MAIN_SHAFT_MIDDLE_BUSHING_A				1
22	40173557	MAIN_SHAFT_MIDDLE_BUSHING_B				1
23	-	-				1
24	-	-				1
25	40086740	MIAN_SHAFT_OIL_SEAL				1
26	SB130000600	BEARING				1
27	-	-				1
28	40173643	MAIN_SHAFT_BEARING_BUSH				1
29	SM8060812TP	SCREW M6 L=8				2
30	-	-				1
31	22905103	UPRIGHT SHAFT BUSHING				1
32	-	-				1
33	40173591	VERTICAL_SHAFT_BUSHING_LOW				1
34	-	-				1
35	-	-				2
36	B1212210D00	PULLEY				1
37	A1230500000A	HANDWHEEL SETSCREW				1
38	-	-				1
39	40173756	COUPLING_A		*		1
40	40173734	THREAD_TENSION_SHAFT		*		3
41	40173632	COUPLING_A_ASSY				1
42	40173633	COUPLING_A		*		1
43	40173734	THREAD_TENSION_SHAFT		*		3

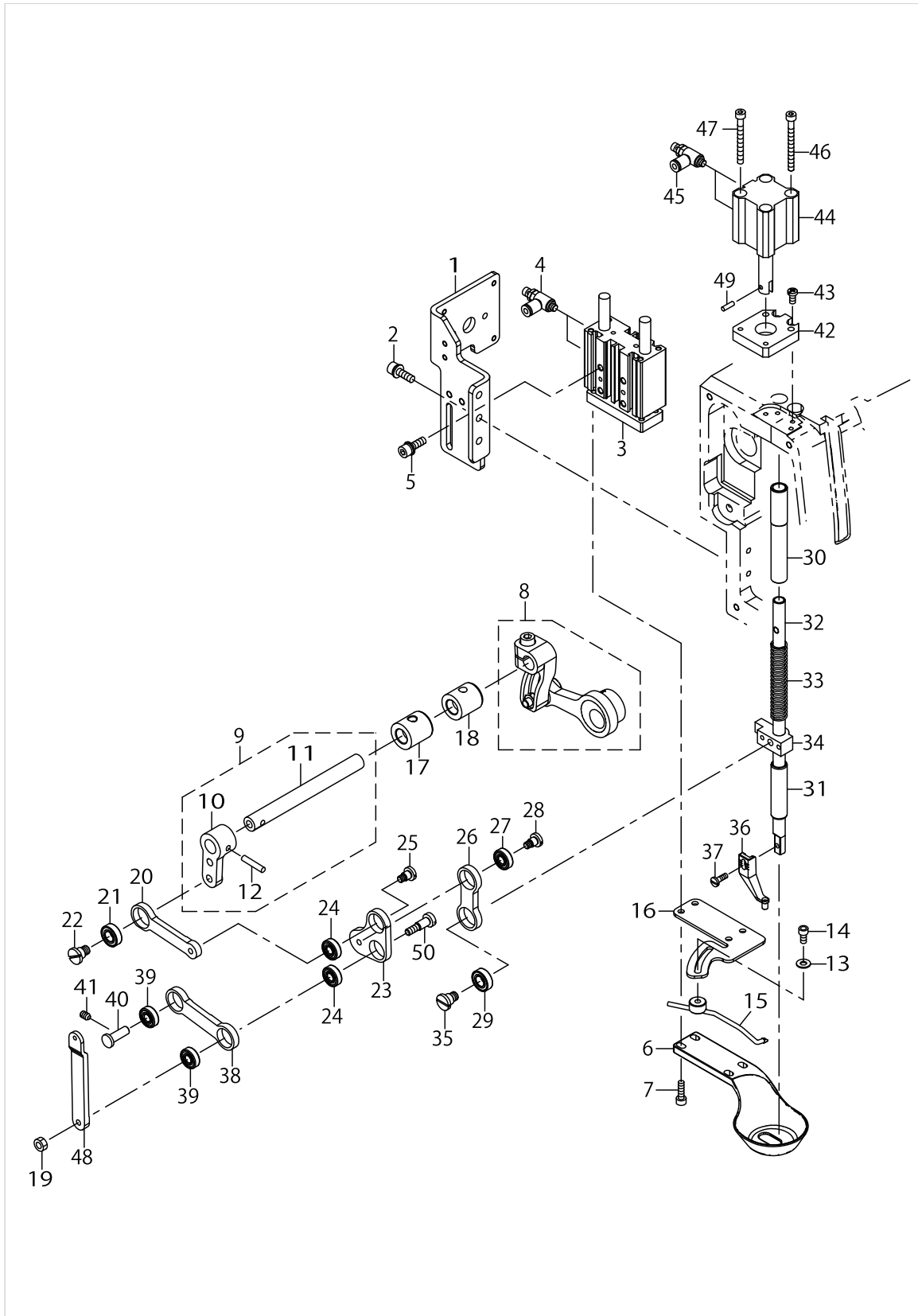
AIR BLOW & PRESSER COMPONENTS (B)



AIR BLOW & PRESSER COMPONENTS (B)

No.	Parts No.	Parts name	Remarks	Level	Cons	Qty
1	40173565	PRESSER_CYLINDER_PLATE				1
2	-	-				3
3	40174025	BOAT_PRESSER_CYLINDER				1
4	-	-				2
5	-	-				3
6	40173797	BOAT_PRESSER				1
7	-	-				4
8	-	-				1
9	40173803	PRESSER_SHAFT_LINK_ASSY				1
10	40173805	LINK		*		1
11	40173804	PRESSER_SHAFT		*		1
12	40173806	PIN		*		1
13	WP0450801SC	WASHER 4.5X10X0.8				1
14	SM6040802TP	SCREW M4X0.7 L=8				1
15	40173754	THREAD_BLOW_ASM				1
16	40173553	THREAD_BLOW_PLATE				1
17	40173595	PRESSER_FRONT_BUSHING				1
18	40173596	PRESSER_REAR_BUSHING				1
19	-	-				1
20	40173807	PRESSER_CONNECTING_LINK_A				1
21	-	-				1
22	-	-				1
23	-	-				1
24	-	-				2
25	-	-				1
26	-	-				1
27	-	-				1
28	-	-				1
29	-	-				1
30	40173566	PRESSER_BAR_UPPER_BUSHING				1
31	40078133	PRESSER_BUSHING				1
32	40173814	PRESSER_BAR				1
33	40173815	PRESSER_BAR_SPRING				1
34	-	-				1
35	-	-				1
36	B1601210D0BA	INTERMEDIATE PRESSER B				1
37	-	-				1
38	-	-				1
39	-	-				2
40	-	-				1
41	-	-				1
42	-	-				1
43	-	-				2
44	40173821	PRESSER_CYLINDER				1
45	-	-				2
46	-	-				2
47	-	-				2

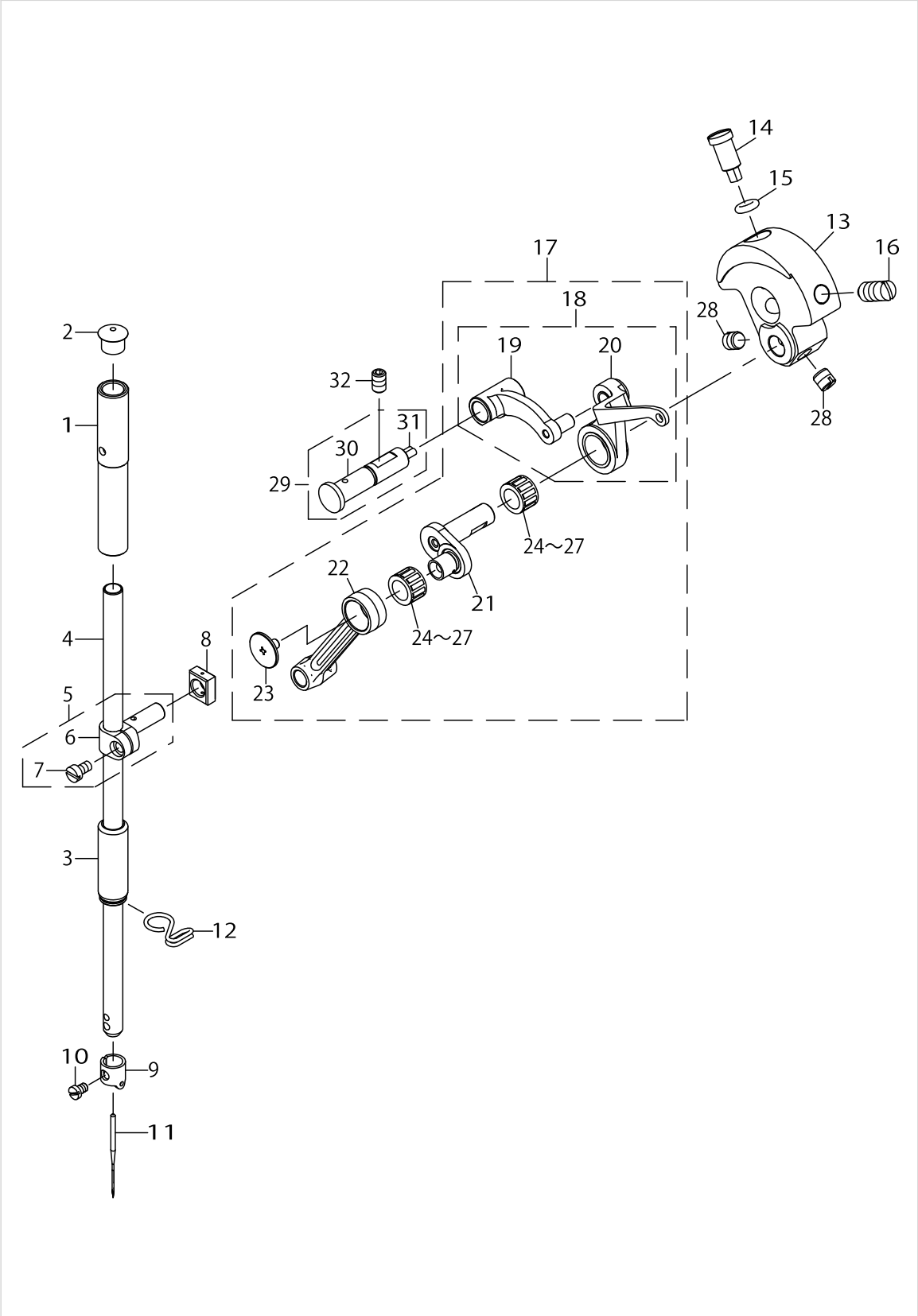
AIR BLOW & PRESSER COMPONENTS (B)



AIR BLOW & PRESSER COMPONENTS (B)

No.	Parts No.	Parts name	Remarks	Level	Cons	Qty
48	-	-				1
49	-	-				1
50	-	-				1

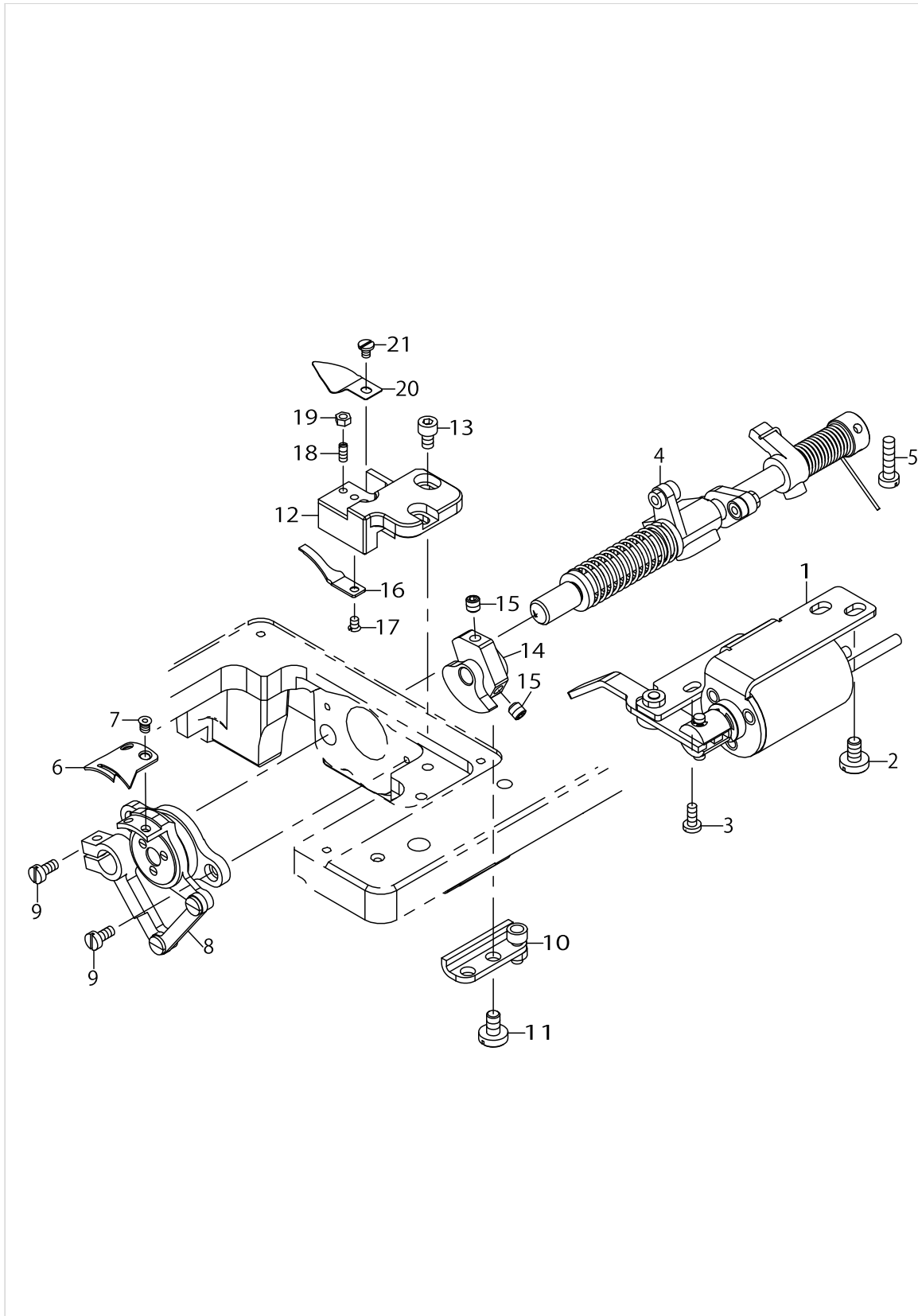
NEEDLE BAR & THREAD TAKE UP COMPONENTS (B)



NEEDLE BAR & THREAD TAKE UP COMPONENTS (B)

No.	Parts No.	Parts name	Remarks	Level	Cons	Qty
1	22906101	NEEDLE BAR BUSHING				1
2	22901409	NEEDLE BAR UPPER BUSH CAP				1
3	40173592	NEEDLE_BAR_LOWER_BUSHING				1
4	40173776	NEEDLE_BAR				1
5	-	-				1
6	40173778	NEEDLE_BAR_CONNECTING		*		1
7	-	-		*		1
8	40173779	SLIDE_BLOCK				1
9	40173780	NEEDLE_BAR_THREAD_GUIDE				1
10	-	-				1
11	MDB1SFB0902	NEEDLE DBX1SF #9-2				1
12	40023223	NEEDLE BAR THREAD GUIDE				1
13	40173781	COUNTER_WEIGHT				1
14	-	-				1
15	RO044240100	O-RING				1
16	-	-				1
17	40173782	THREAD_TAKE_UP_FULL				1
18	40173783	THREAD_TAKE_UP_ASSY		*		1
19	40173784	THREAD_TAKE_UP_CRANK		*		1
20	11403953	THREAD_TAKE_UP_COMPL.		*		1
21	40173559	NEEDLE_BAR_CRANK		*		1
22	40173785	NEEDLE_BAR_CRANK_ROD		*		1
23	22918304	LEFT SCREW		*		1
24	22918403	BEARING A	SELECTIVE PARTS	*		2
25	22918502	BEARING B	SELECTIVE PARTS	*		2
26	22918601	BEARING C	SELECTIVE PARTS	*		2
27	22918700	BEARING D	SELECTIVE PARTS	*		2
28	-	-				2
29	11017357	THREAD TAKE-UP CRANK SHAFT ASM				1
30	11017209	THREAD TAKE-UP CRANK SHAFT		*		1
31	CQ250000001	COTTON OIL WICK D=2.5		*		0.055
32	-	-				1

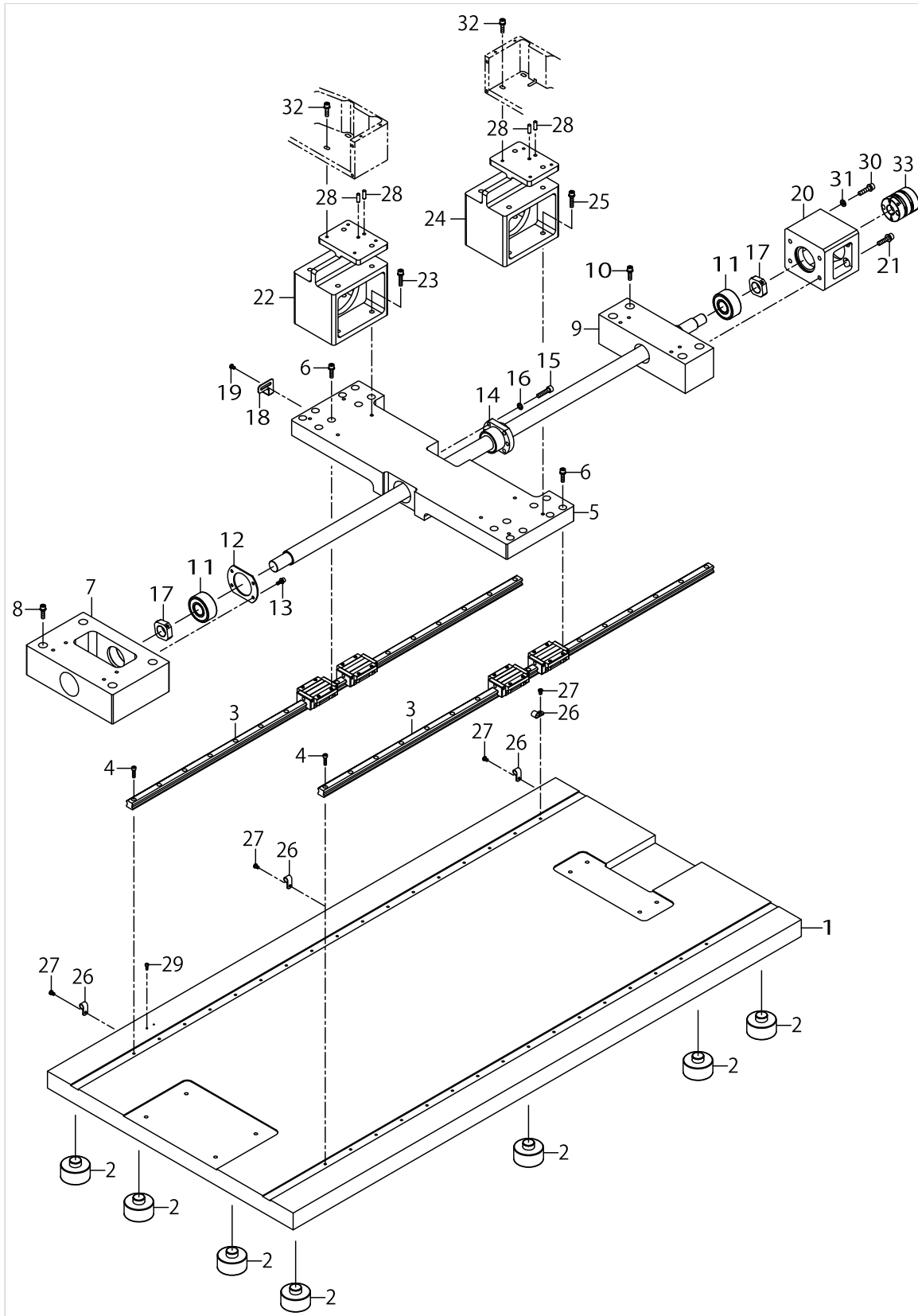
THREAD TRIMMER COMPONENTS (B)



THREAD TRIMMER COMPONENTS (B)

No.	Parts No.	Parts name	Remarks	Level	Cons	Qty
1	40173631	THREAD_TRIMMER_SOLENOID_ASM				1
2	-	-				2
3	-	-				1
4	40174028	THREAD_TRIMMER_ASM				1
5	40174035	MOVING_KNIFE_RETURN_SCREW				1
6	40173746	MOVING_KNIFE				1
7	-	-				2
8	40173854	MOVING_KNIFE_BASE				1
9	-	-				2
10	40173568	FIXED_KNIFE_BASE				1
11	-	-				2
12	-	-				1
13	-	-				2
14	40173857	MOVING_KNIFE_CAM				1
15	-	-				2
16	40173747	FIXED_KNIFE				1
17	-	-				1
18	-	-				1
19	-	-				1
20	40173792	THREAD_DIVIDE_PLATE				1
21	-	-				1

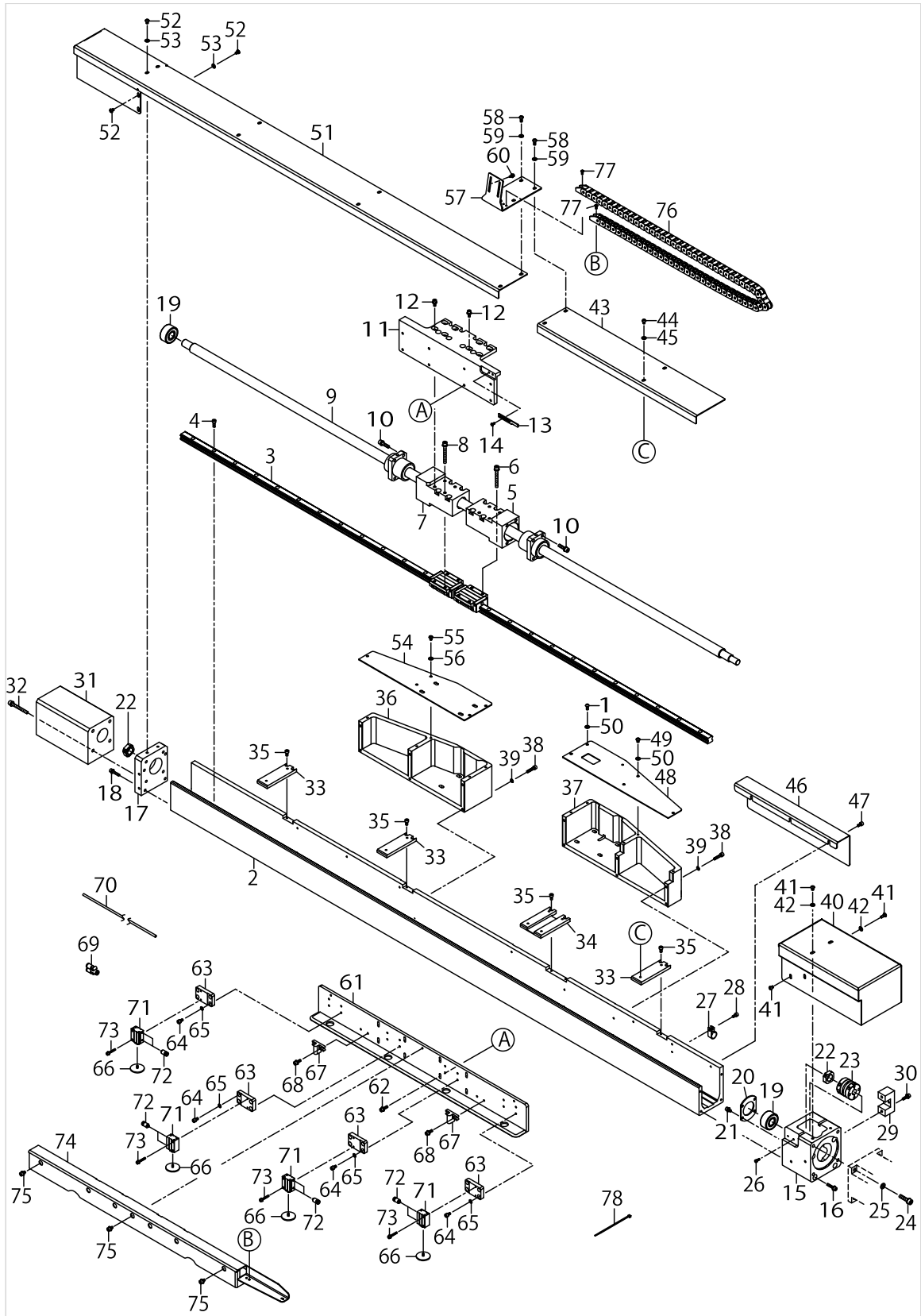
Y FEEDER COMPONENTS



Y FEEDER COMPONENTS

No.	Parts No.	Parts name	Remarks	Level	Cons	Qty
1	40173817	Y_FEEDER_BED				1
2	-	-				12
3	40173829	Y_FEEDER_LM_GUIDE				2
4	-	-				32
5	40173830	Y_FEEDER_BASE				1
6	-	-				16
7	40173831	Y_BALL_SCREW_BASE_A				1
8	SL6062592TN	SCREW				4
9	40173832	Y_BALL_SCREW_BASE_B				1
10	SL6062592TN	SCREW				4
11	40173833	Y_BEARING				2
12	40173567	Y_BEARING_STOPPER				1
13	-	-				4
14	40173834	Y_BALL_SCREW				1
15	-	-				6
16	-	-				6
17	40173835	Y_FEEDER_BALL_SCREW_NUT				2
18	-	-				1
19	-	-				2
20	40173837	Y_FEEDER_MOTOR_BASE				1
21	-	-				4
22	-	-				1
23	-	-				4
24	-	-				1
25	-	-				4
26	40173728	CABLE_CLAMP				4
27	-	-				4
28	-	-				4
29	SM6030802TP	SCREW M3X0.5 L=8				1
30	SL6062542TN	SCREW				4
31	WP0641600SC	WASHEW 6.4X12.5X1.6				4
32	SL6052092TN	SCREW				8
33	40173838	Y_FEEDER_COUPLING				1

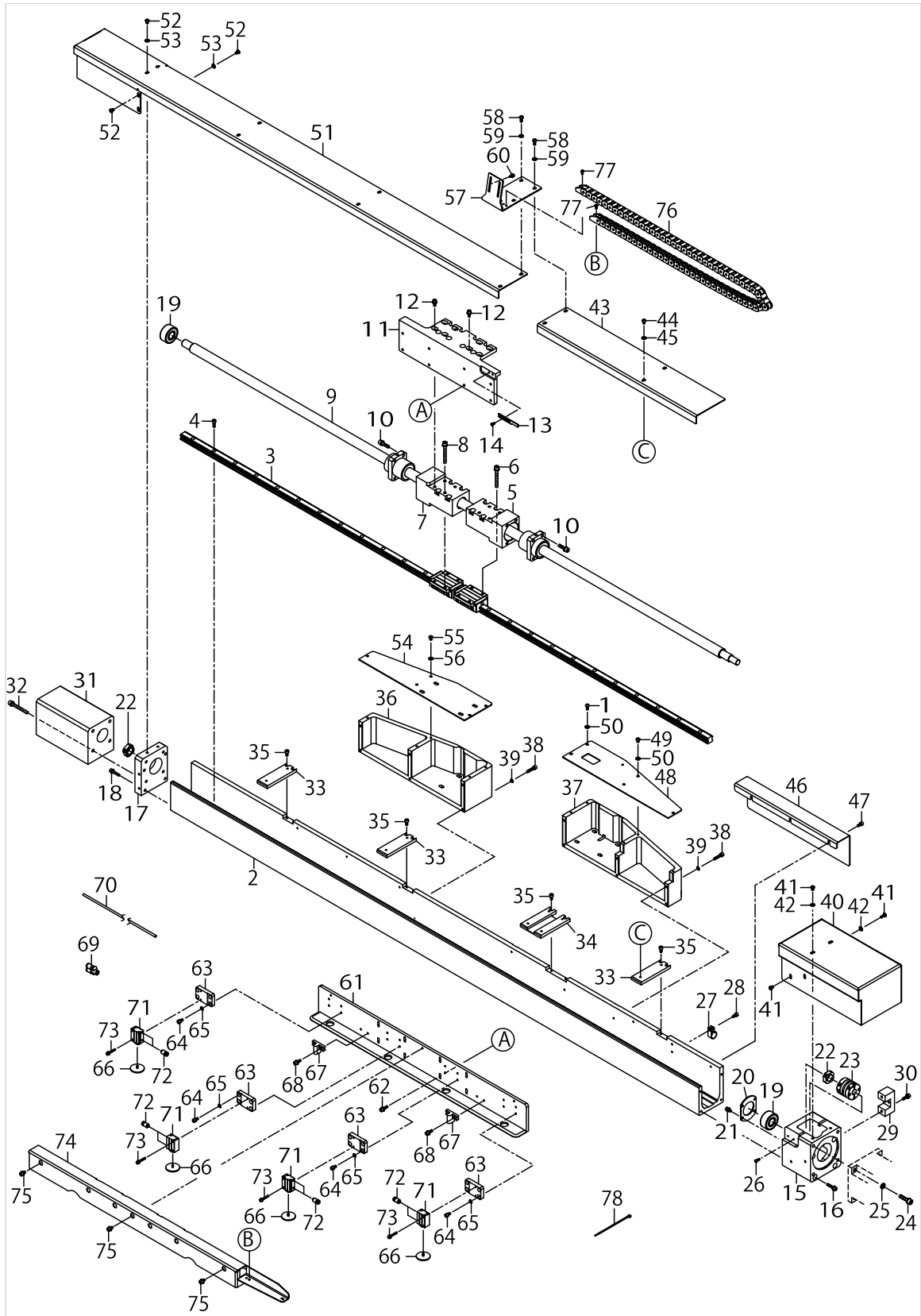
X FEEDER COMPONENTS



X FEEDER COMPONENTS

No.	Parts No.	Parts name	Remarks	Level	Cons	Qty
1	SM3041052TN	SCREW M4 L=10				1
2	40173645	X_FEEDER_BED				1
3	40173646	X_LM_GUIDE				1
4	SM6041202TP	SCREW M4X0.7 L=12				25
5	40173647	X_FEEDER_NUT_BRACKET_R				1
6	SL6054592TN	SCREW M5 L=45				4
7	40173648	X_FEEDER_NUT_BRACKET_L				1
8	SL6054592TN	SCREW M5 L=45				4
9	40173649	X_BALL_SCREW				1
10	SL6052092TN	SCREW M5 L=20				8
11	40173650	CLAMP_BRACKET				1
12	SL6041092TN	SCREW M4 L=10				8
13	40173651	X_FEEDER_SENSOR_PLATE				1
14	SM6030650TP	SCREW				2
15	40173652	X_FEEDER_MOTOR_BASE				1
16	SL6042092TN	SCREW M4 L=20				4
17	40173653	WEIGHTED_BRACKET				1
18	SL6042092TN	SCREW M4 L=20				4
19	40173564	X_BEARING				2
20	40173541	X_BEARING_STOPPER				1
21	SL6040892TN	SCREW M4 L=8				4
22	40173659	X_FEEDER_BALL_SCREW_NUT				2
23	40173660	X_FEEDER_COUPLING				1
24	SL6062542TN	SCREW M6 L=25				4
25	WP0641600SC	WASHEW 6.4X12.5X1.6				4
26	SM6030802TP	SCREW M3X0.5 L=8				1
27	HX00150000F	CABLE_CLAMP				1
28	SM6040802TP	SCREW M4X0.7 L=8				1
29	40173661	MOTOR_COVER_BLOCK				1
30	SL6031492TN	SCREW M3 L=14				2
31	40173584	BALANCE_WEIGHTED				1
32	SL6054592TN	SCREW M5 L=45				4
33	40173725	COVER_BREAKET_B				3
34	40173663	COVER_BREAKET_A				1
35	SM6040802TP	SCREW M4X0.7 L=8				8
36	40173664	X_FEEDER_SUPPORT_BRACKET_L				1
37	40173665	X_FEEDER_SUPPORT_BRACKET_R				1
38	SL6042042TN	SCREW M4 L=20				12
39	WP0460556SD	WASHER 4.6X7.5X0.5				12
40	40173667	MOTOR_COVER_2				1
41	SM3040652TN	SCREW M4 L=6				6
42	WP0430801SC	WASHER M4				4
43	40173669	MOTOR_COVER_1				1
44	SM3040652TN	SCREW M4 L=6				2
45	WP0430801SC	WASHER M4				2
46	40173671	CABLE_COVER				1
47	SM6040802TP	SCREW M4X0.7 L=8				3

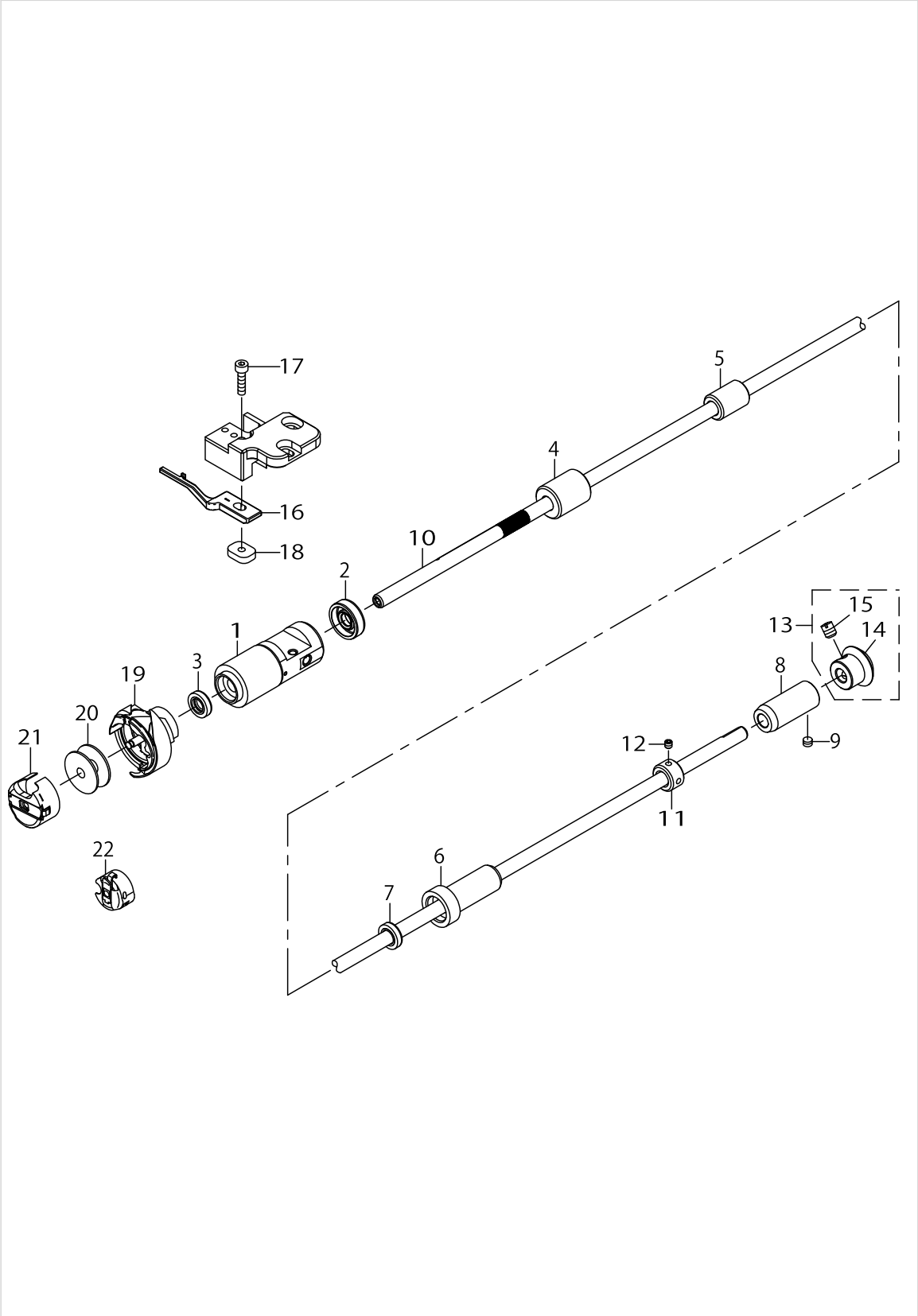
X FEEDER COMPONENTS



X FEEDER COMPONENTS

No.	Parts No.	Parts name	Remarks	Level	Cons	Qty
48	40173672	X_FEEDER_BRACKET_COVER_R				1
49	SM3040652TN	SCREW M4 L=6				5
50	WP0430801SC	WASHER M4				6
51	40173674	WEIGHTED_COVER_BLK				1
52	SM3040652TN	SCREW M4 L=6				10
53	WP0430801SC	WASHER M4				8
54	40173675	X_FEEDER_BRACKET_COVER_L				1
55	SM3040652TN	SCREW M4 L=6				5
56	WP0430801SC	WASHER M4				5
57	40173676	BARCODE_READER_PLATE				1
58	SM3041052TN	SCREW M4 L=10				4
59	WP0430801SC	WASHER M4				4
60	SL6030892TN	SCREW M3 L=8				2
61	40173677	CLAMP_BASE				1
62	SL6041492TN	SCREW M4 L=14				8
63	40173678	CLAMP_CYLINDER_BLOCK				4
64	SL6040842TN	SCREW M4 L=8				16
65	WP0460556SD	WASHER 4.6X7.5X0.5				16
66	40173679	CLAMP				4
67	40173680	PATTEN_GUIDE				2
68	SL6041292TN	SCREW M4 L=12				4
69	PJ308040006	UNION Y				6
70	BT0400251EB	URETHANE TUBE BLACK 4X2.5				4
71	PA100153500	AIR CYLINDER				4
72	PJ301040302	HALF UNION				8
73	SL6032092TN	SCREW M3 L=20				8
74	40173683	CLAMP_COVER_ASSY				1
75	SL6040892TN	SCREW M4 L=8				3
76	40173684	TABLE_CAREER_LINK_X				1
77	SM1030800SM	SCREW M3X0.5 L=8				4
78	EA9500B0100	CABLE BAND				3

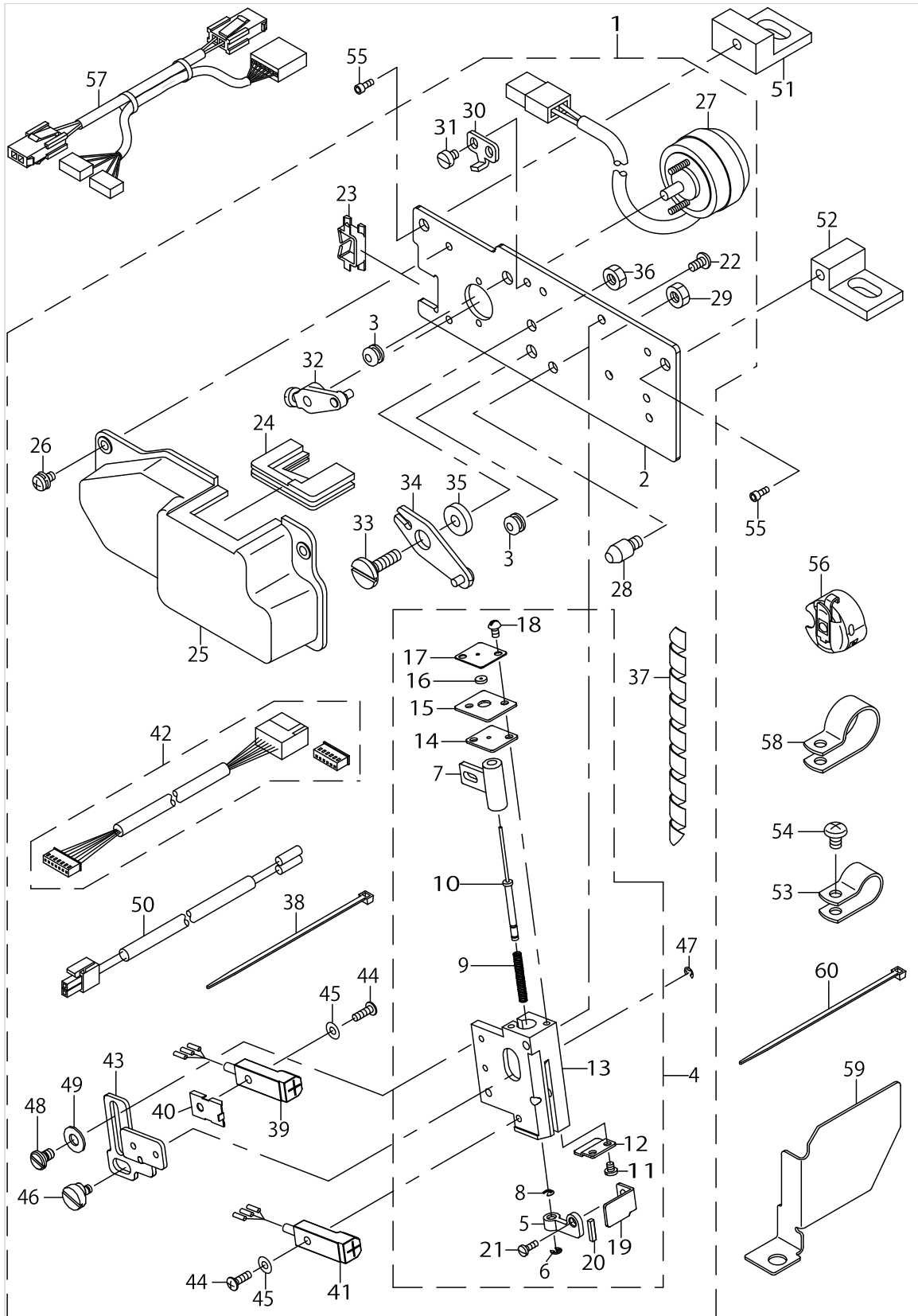
HOOK SHAFT ASSY (B)



HOOK SHAFT ASSY (B)

No.	Parts No.	Parts name	Remarks	Level	Cons	Qty
1	40173560	LOWER_SHAFT_FRONT_BUSHING				1
2	40145927	OIL SEAL				1
3	40010805	OIL SEAL RING				1
4	40173561	LOWER_SHAFT_MIDDLE_BUSHING_A				1
5	40173563	LOWER_SHAFT_MIDDLE_BUSHING_B				1
6	40173593	LOWER_SHAFT_MIDDLE_BUSHING_C				1
7	40010805	OIL SEAL RING				1
8	22916308	HOOK DRIVING SHAFT BUSH				1
9	-	-				1
10	-	-				1
11	40173644	VERTICA_SHAFT_COLLER				1
12	-	-				2
13	40090005	LOWER SMALL BEVEL GEAR ASM.				1
14	40090009	LOWER SMALL BEVEL GEAR		*		1
15	SS8660810TP	SCREW 1/4-40 L=8		*		2
16	40173790	INNER HOOK HOLDER				1
17	-	-				1
18	40173791	ADJUST_NUT				1
19	D1830560EA0	HOOK ASM.				1
20	40173635	BOBBIN				1
21	B1837201SA0	BOBBIN CASE ASM.(WITHOUT SENSOR HOLE)	STANDARD			1
22	GAE030460A0	BOBBIN CASE (WITH SENSOR HOLE)	FOR THREAD DETECT ASM.			1

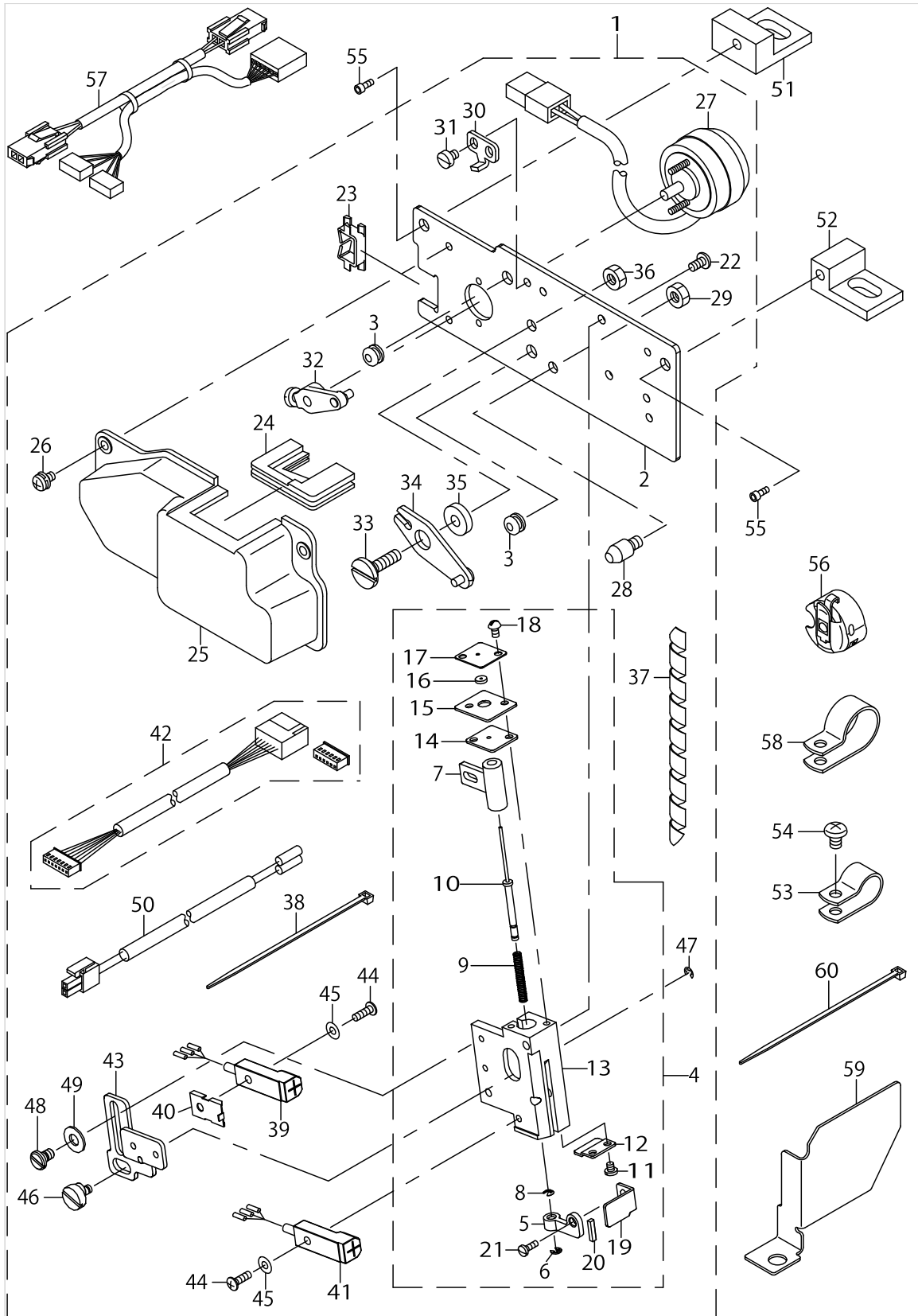
THREAD DETECT ASM



THREAD DETECT ASM

No.	Parts No.	Parts name	Remarks	Level	Cons	Qty
1	40088226	DRIVE_DEVICE_ASSY				1
2	40088225	BASE_PLATE		*		1
3	40088228	CODE_BUSH		*		2
4	40088229	GUIDER_ASSY		*		1
5	GAE03023000	MAGNET PLATE		*		1
6	RE0150000K0	SNAP RING 1.5		*		1
7	GAE03021000	DETECTING ROD HOLDER		*		1
8	GAE03025000	E RING		*		1
9	GAE03022000	DETECTING ROD SPRING		*		1
10	GAE03020000	DETECTING ROD		*		1
11	SS7060310SP	SCREW 3/32-56 L=3		*		2
12	40090419	DETECTING_ROD_STOPPER		*		1
13	40090415	GUIDER(SUNX)		*		1
14	GAE04027000	DETECTING ROD GUIDE PLATE		*		1
15	GAE04019000	DETECTING ROD FELT GUIDE		*		1
16	GAE03028000	DETECTING ROD FELT		*		1
17	GAE04029000	DETECTING ROD COVER		*		1
18	SS3060410SP	SCREW 3/32-56 L=4		*		2
19	40090417	L_CHECKER		*		1
20	40090418	SPACER		*		1
21	SS7060610SP	SCREW 3/32-56 L=5.5		*		1
22	SS4080620TP	SCREW 1/8-44 L=6		*		2
23	HX00285000A	EDGE SADDLE		*		1
24	GAE04039000	RUBBER CUSHION		*		1
25	GAE04038000	DRIVING EQUIPMENT COVER		*		1
26	SL4030681SC	SCREW M3 L=6		*		3
27	40084091	ROTARY SOLENOID ASSY		*		1
28	B1157781000	GUIDE PIN		*		1
29	NS6110420SP	HEXAGONAL NUT 11/64-40		*		1
30	GAE03018000	DRIVING LINK STOPPER A		*		1
31	SS6080410SP	SCREW 1/8-44 L=4		*		2
32	GAE030120A0	SOLENOID ARM ASM.		*		1
33	SD0790204SP	SHOULDER SCREW D=7.94 H=2		*		1
34	GAE040140A0	DRIVING LINK ASM.		*		1
35	MAO91003000	BSW PRESSER PLATE WASHER		*		1
36	NS6110420SP	HEXAGONAL NUT 11/64-40		*		1
37	HX001890000	SPIRAL TUBE		*		0.1
38	EA9500B0100	CABLE BAND		*		1
39	40090489	PROXIMITY SENSOR ASSY		*		1
40	40091147	SENSOR_BRCKET		*		1
41	40090488	PROXIMITY SENSOR ASSY		*		1
42	40084059	LOWER THREAD SENSOR CORD ASSY		*		1
43	40090416	SENSOR_ADJUSTING_BRACKET		*		1
44	SM0850801SC	SCREW M2.5 L=8		*		2
45	WP0280501SC	WASHER M2.6		*		2
46	GAE03032000	ECCENTRIC PIN		*		1
47	RE0200000K0	E-RING 2		*		1

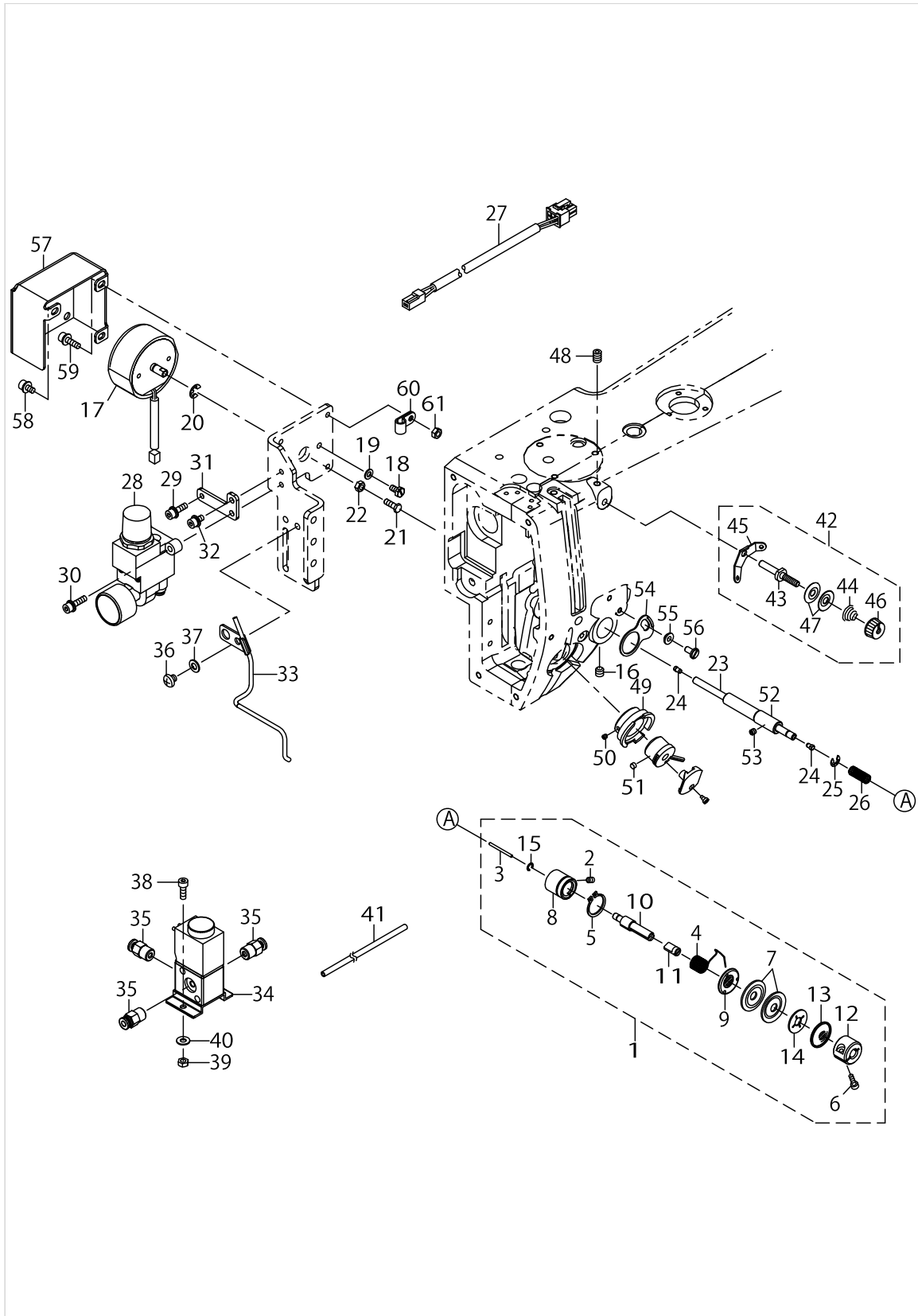
THREAD DETECT ASM



THREAD DETECT ASM

No.	Parts No.	Parts name	Remarks	Level	Cons	Qty
48	SD0400201SD	SHOULDER SCREW D=4 H=2		*		2
49	WP0450801SC	WASHER 4.5X10X0.8		*		2
50	40091087	SOLENOID EXTENSION CORD ASSY		*		1
51	40174032	STATOR_LEFT				1
52	40174033	STATOR_RIGHT				1
53	HX00150000D	CABLE CLIP				1
54	SM4040655SP	SCREW M4 L=6				1
55	SM6041002TP	SCREW M4X0.7 L=10				2
56	GAE030460A0	BOBBIN CASE (WITH SENSOR HOLE)				1
57	40173772	THREAD_AMOUNT_RELAY_CABLE				1
58	HX00150000H	CABLE CLAMP				3
59	40186485	OIL BAFFLE PLATE				1
60	EA9500B0100	CABLE BAND				1

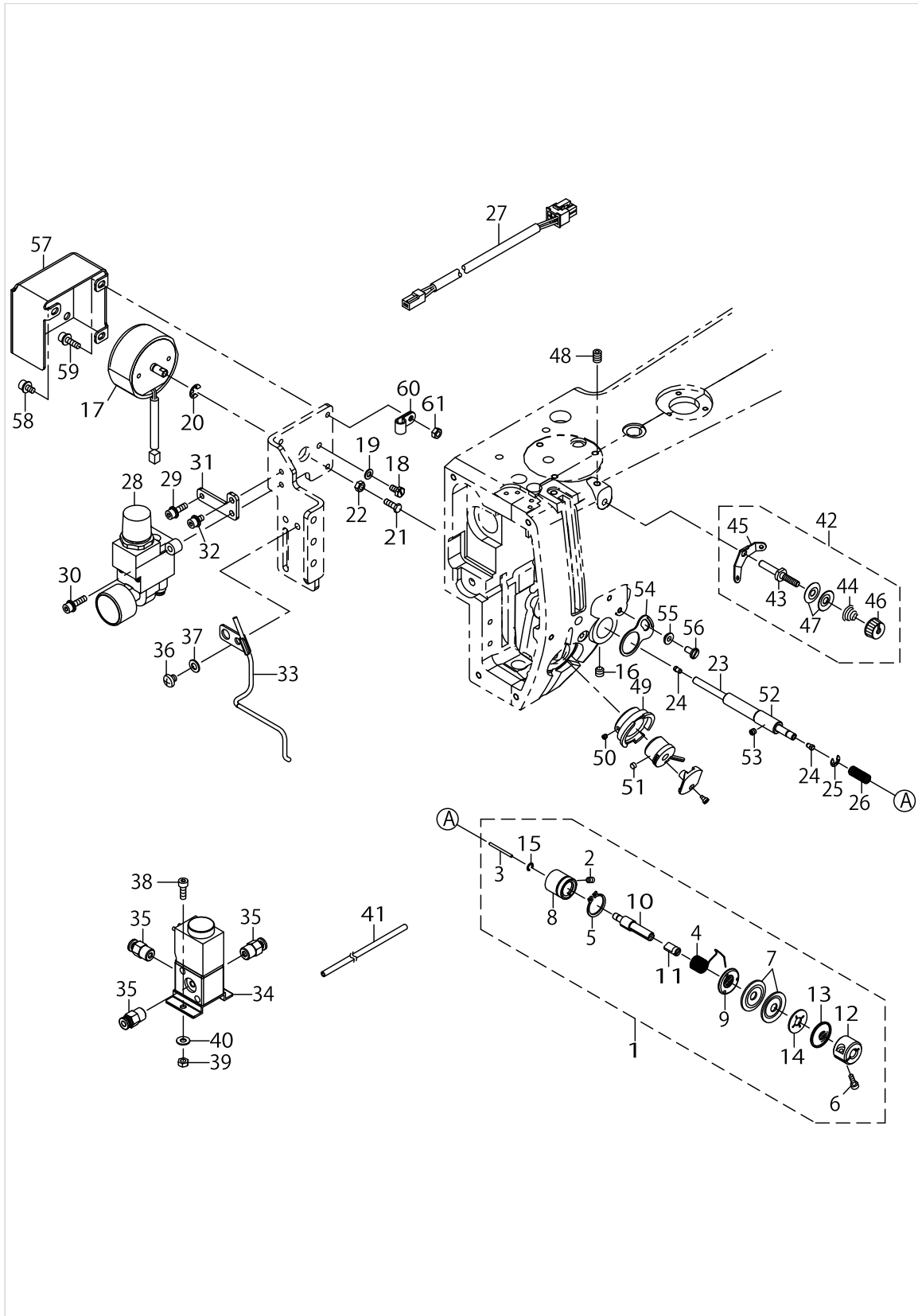
THREAD TENSION & NEEDLE COOLER ASM COMPONENTS



THREAD TENSION & NEEDLE COOLER ASM COMPONENTS

No.	Parts No.	Parts name	Remarks	Level	Cons	Qty
1	40172470	THREAD_TENSION_ASM				1
2	SM8040612TP	SCREW M4 L=6		*		1
3	B3118552H00	THREAD RELEASE PIN		*		1
4	22921605	THREAD TAKE-UP SPRING		*		1
5	RC1700001KP	C-RING 17 (15.7)		*		1
6	SM6031002TN	SCREW M3 L=10		*		1
7	22921506	THREAD TENSION DISK		*		2
8	40174313	TENSION_POST_BASE_ASM		*		1
9	40126724	TENSION_DISC HOLDER		*		1
10	40172472	AT_SHAFT		*		1
11	40172473	DISK_STOPPER_HOLDER_CAP_PIN		*		1
12	40172474	DISK_STOPPER_HOLDER_CAP		*		1
13	B3132012000	TENSION DISC HOLDER		*		1
14	40174312	THREAD_TENSION_DISK_RUBBER		*		1
15	RC0410415KP	C-RING (4.09)		*		1
16	SM80606A2TP	SCREW M6 L=6				1
17	40174350	AT_SOLENOID_A				1
18	SM9040800SP	SCREW				2
19	WP0410846SC	WASHER				2
20	RE0500000K0	E-RING				1
21	40174311	SCREW				1
22	NM6040000SN	NUT M4 TYPE1				1
23	40173734	THREAD_TENSION_SHAFT				1
24	26201004	PIN				2
25	RE0400000K0	E-RING 4				1
26	22920409	THREAD RELEASE PIN SPRING				1
27	40173770	AT SOLENOID RELAY CABLE ASSY				1
28	PF070001000	MINIATURE DECOMPRESSION VALVE				1
29	SL6041492TN	SCREW M4 L=14				1
30	SL6041692TN	SCREW M4 L=16				1
31	40173555	REGULATOR_SUPPORT_PLATE				1
32	SL6040892TN	SCREW M4 L=8				1
33	40173752	NEEDLE_COOLER_COMPL	OPTIONAL PARTS			1
34	40173629	SOLENOID VALVE D ASSY	OPTIONAL PARTS			1
35	PJ3C1040502	HALF UNION 4XM5	OPTIONAL PARTS			2
36	SM4050501SC	SCREW M5X0.8 L=5	OPTIONAL PARTS			2
37	WP0531001SC	WASHER M5	OPTIONAL PARTS			2
38	SM6041202TP	SCREW M4X0.7 L=12	OPTIONAL PARTS			2
39	NM6040000SN	NUT M4 TYPE1	OPTIONAL PARTS			2
40	WP0450826SC	WASHER 4.5X10X0.8	OPTIONAL PARTS			2
41	BT0400251EB	URETHANE TUBE BLACK 4X2.5	OPTIONAL PARTS			3
42	22963458	THREAD TENSION ASM.				1
43	22945414	THREAD TENSION POST		*		1
44	22963409	THREAD TENSION SPRING		*		1
45	22945604	THREAD TENSION GUIDE		*		1
46	22945703	THREAD TENSION NUT		*		1
47	22945802	THREAD TENSION DISK		*		2

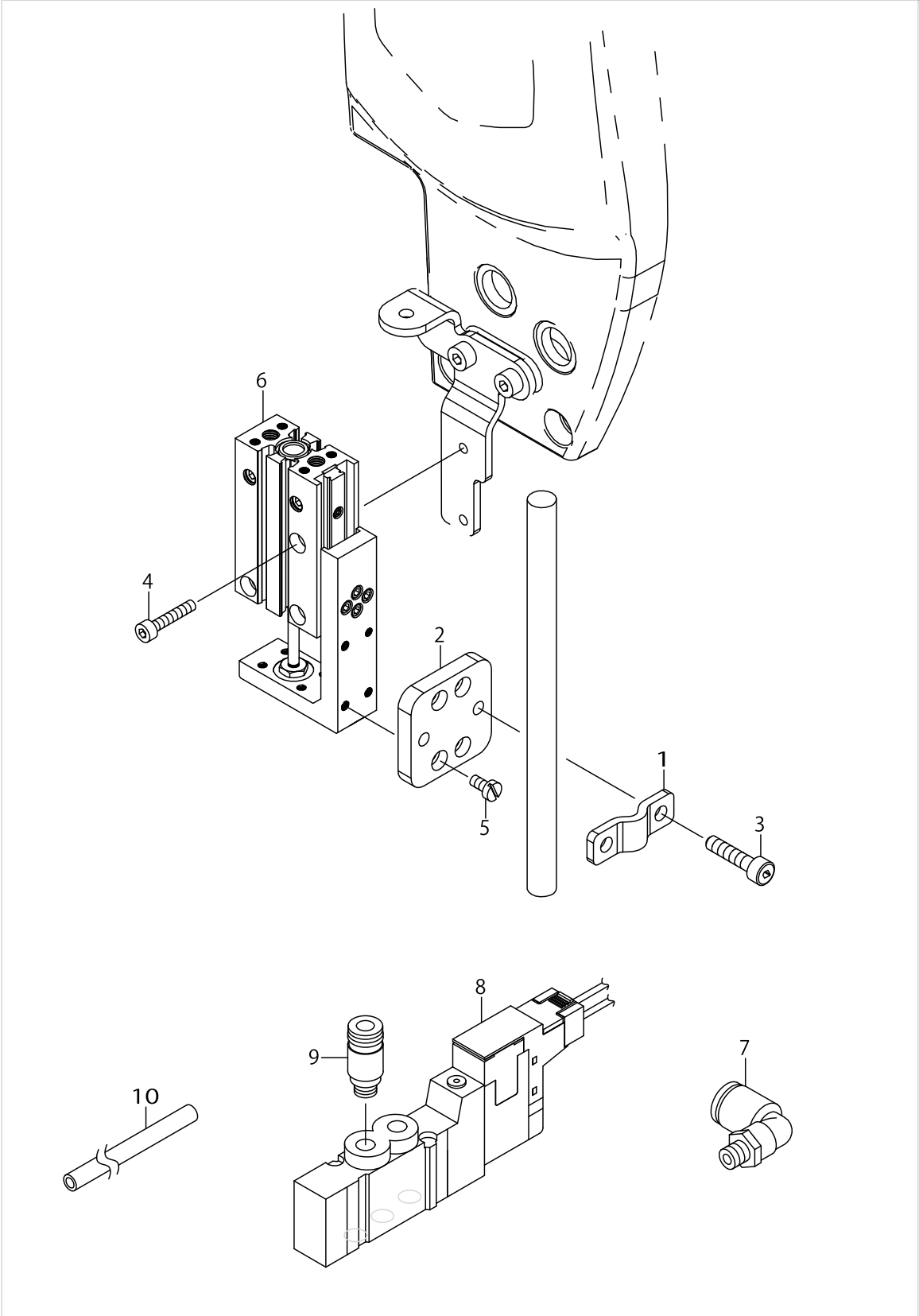
THREAD TENSION & NEEDLE COOLER ASM COMPONENTS



THREAD TENSION & NEEDLE COOLER ASM COMPONENTS

No.	Parts No.	Parts name	Remarks	Level	Cons	Qty
48	40173762	SCREW				1
49	40173794	TN_SOLENOID_BASE				1
50	SM8030312TP	SCREW M3 L=3				1
51	40149044	SOLENOID_SPACER				1
52	40173732	TENSION_RELEASE_BUSHING				1
53	SM8040412TP	SCREW M4X4				1
54	B2702210000	GUIDE PLATE				1
55	B2703210000	BUSHING				1
56	SM6040860TP	SCREW M4 L=8				1
57	40173554	AT_SOLENOID_COVER				1
58	SL6040892TN	BOLT				1
59	SL6041492TN	SCREW				2
60	HX00150000D	CABLE CLIP				2
61	NM6040000SN	NUT M4				2

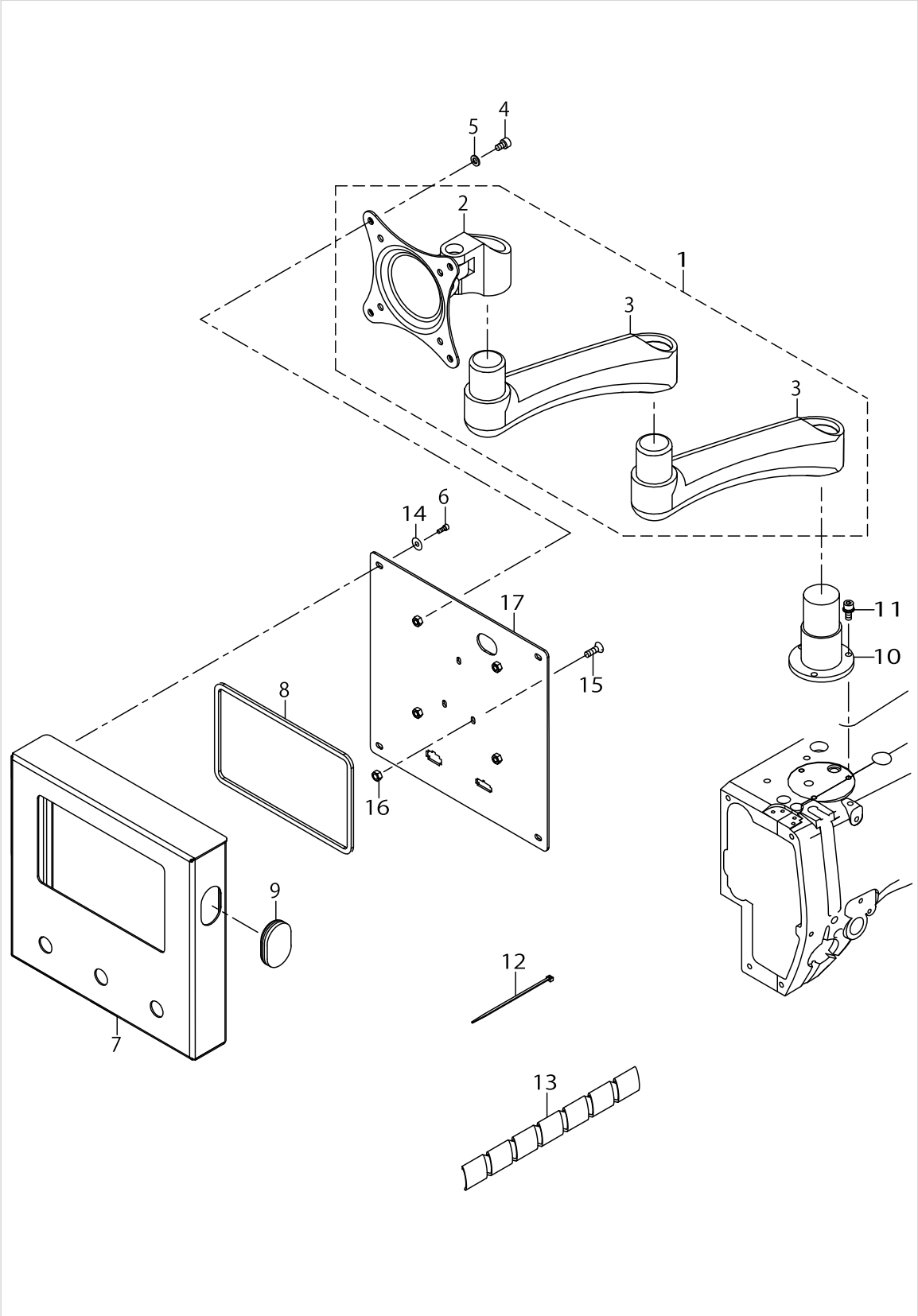
PEN STICK ASM (OPTIONAL PARTS)



PEN STICK ASM (OPTIONAL PARTS)

No.	Parts No.	Parts name	Remarks	Level	Cons	Qty
1	40173550	PEN_PLATE_R				1
2	40173551	PEN_PLATE_L				1
3	SM6041802TP	SCREW M4 L=18				2
4	SM6031602TP	SCREW				2
5	SM6030600SN	SCREW M3X0.5 L=6				4
6	PA060200700	AIR CYLINDER				1
7	PJ304040504	UNION				2
8	40173628	SOLENOID VALVE C ASSY				1
9	PJ301040509	HALF UNION				2
10	BT0400251EB	URETHANE TUBE BLACK 4X2.5				6

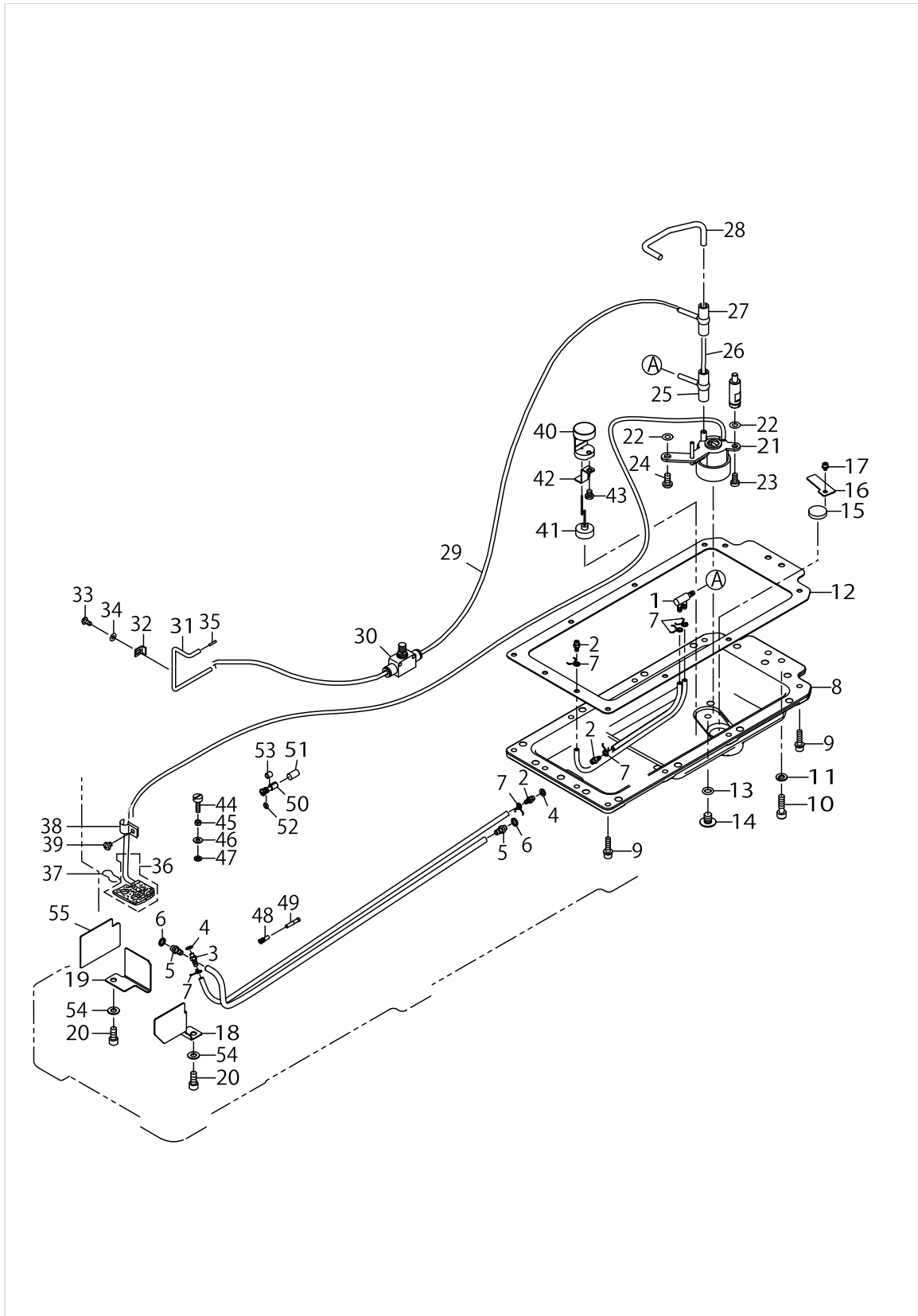
PANEL SUPPORT COMPONENTS



PANEL SUPPORT COMPONENTS

No.	Parts No.	Parts name	Remarks	Level	Cons	Qty
1	40173872	MONITOR ASM.				1
2	40173639	MONITOR_BRACKET		*		1
3	40173640	MONITOR_ARM		*		2
4	SM6040802TP	SCREW M4X0.7 L=8				4
5	WP0431005SP	PLAIN WASHER 4.3X12X1				4
6	SM6030802TP	SCREW M3X0.5 L=8				4
7	40173586	PANEL_BOX				1
8	40173539	PANEL_GASKET				1
9	40173540	USB_GOM				1
10	40173796	MONITOR_POST				1
11	-	-				3
12	EA9500B0100	CABLE BAND				2
13	HX00314000A	SPIRAL TUBE				0.4
14	WP0371016SD	WASHER 3.7X8X1				4
15	SK2351601SE	SCREW				3
16	NM6050001SC	NUT M5X0.8 TYPE1				3
17	40173588	PANEL_COVER				1

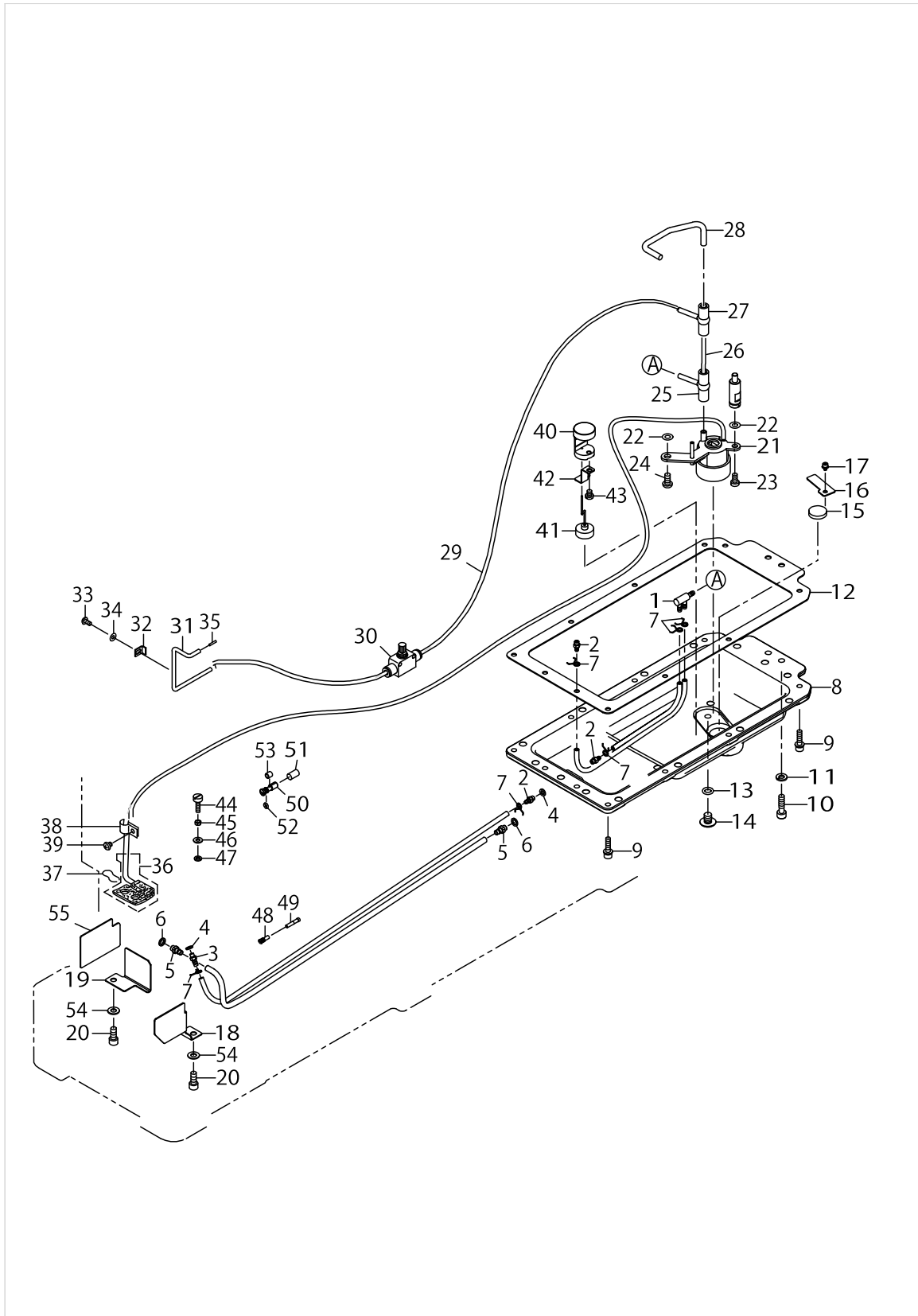
OIL LUBRICATION COMPONENTS



OIL LUBRICATION COMPONENTS

No.	Parts No.	Parts name	Remarks	Level	Cons	Qty
1	23629504	DISTRIBUTOR				1
2	SQ2050453MZ	CONNECTING SCREW				3
3	SQ1110451MZ	CONNECTING SCREW				1
4	40097210	GASKET				2
5	40174011	CONNECTING_SCREW				2
6	40004749	GASCKET				2
7	23629306	PIPE STOPPER A				6
8	40173542	PS700_OIL_TANK				1
9	SL6052092TN	SCREW M5 L=20				11
10	SS6152212SP	SCREW 15/64-28 L=22.0				2
11	WS0610002KP	SPRING WASHER				2
12	40173543	OIL_TANK_PACKING				1
13	13170105	RUBBER RING				1
14	13171004	DRAIN SCREW				1
15	B8228125000	OIL RESERVOIR MAGNET				1
16	40091203	TUBE HOLDER				1
17	SL6030592TN	SCREW M3 L=5				1
18	40174015	OIL_BAFFLE_PLATE				1
19	40174021	OIL_BAFFLE_PLATE				1
20	SS6151412TP	SCREW 15/64-28 L=14				2
21	40173842	OIL PUMP ASM				1
22	-	-				2
23	-	-				1
24	-	-				1
25	-	-				1
26	-	-				1
27	-	-				1
28	-	-				1
29	-	-				1
30	-	-				1
31	-	-				1
32	-	-				2
33	-	-				2
34	-	-				2
35	-	-				1
36	40173850	RETURN PIPE ASM.				1
37	22925101	OIL FELT PRESSER				1
38	-	-				1
39	-	-				1
40	40173996	OIL SIGHT GAUGE				1
41	40173997	ASSY_FLOATER_BAR				1
42	40173999	FLOATER_BAR_PLATE				1
43	SM4050655SP	SCREW M5 L=6				1
44	-	-				1
45	NS6110310SP	HEXAGONAL NUT 11/64-40				1
46	WP0450801SD	WASHER 4.5X10X0.8				1
47	40097210	GASKET				1

OIL LUBRICATION COMPONENTS



OIL LUBRICATION COMPONENTS

No.	Parts No.	Parts name	Remarks	Level	Cons	Qty
48	-	-				1
49	-	-				1
50	22903900	ADJUSTING PIN				1
51	40173775	ROLLER_FELT				1
52	RO029180100	O-RING				1
53	B1215552000	OIL ADJUSTING COLLAR				1
54	WP0621016SD	WASHER 6.2X13X1				2
55	40186577	OIL BAFFLE PLATE LEFT				1

TABLE COMPONENTS (1)

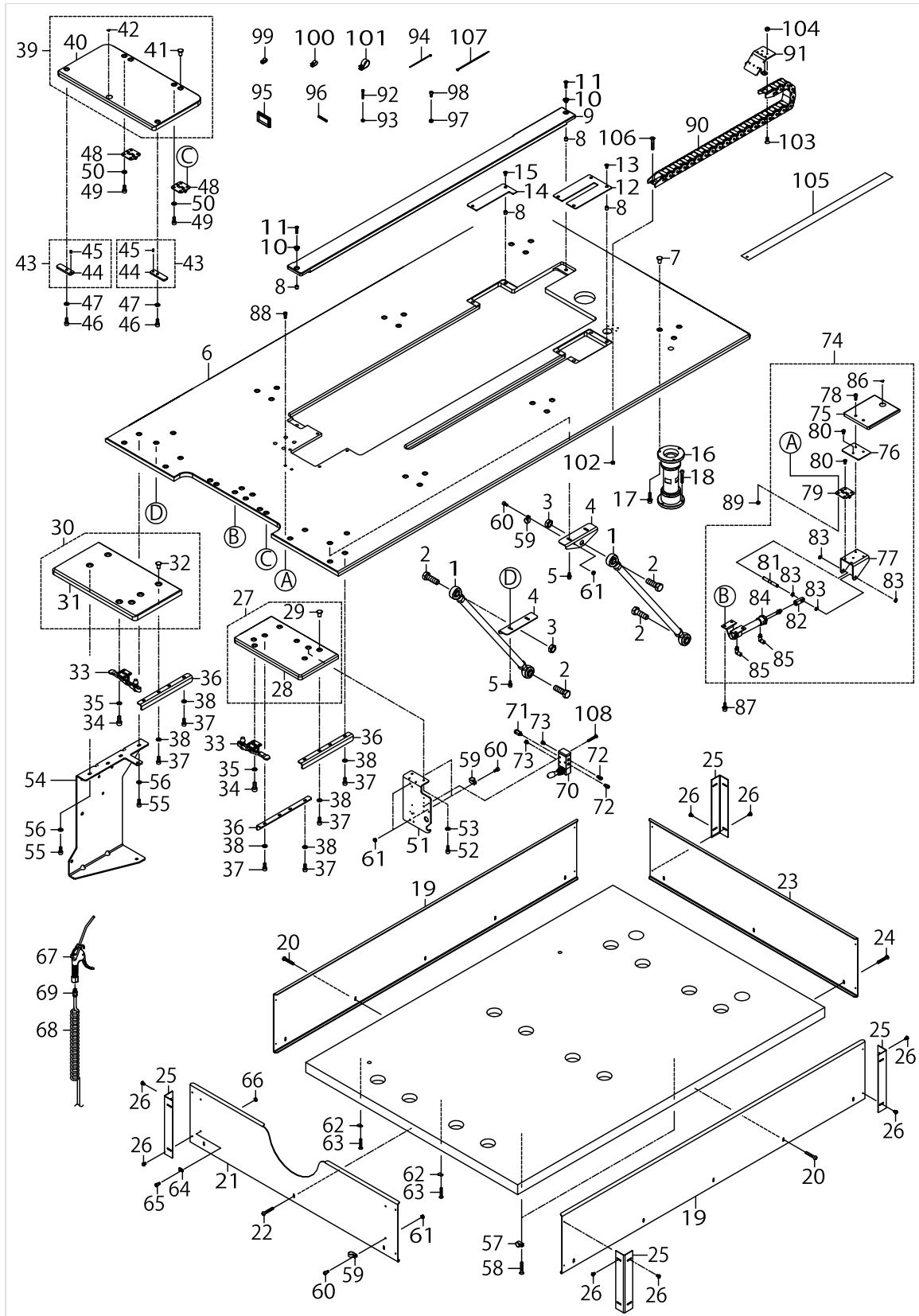


TABLE COMPONENTS (1)

No.	Parts No.	Parts name	Remarks	Level	Cons	Qty
1	40173863	SUPPORT_ROD_ASSY				2
2	40173690	SCREW				4
3	40173691	NUT				2
4	40173710	SUPPORT_ROD_ANGLE_PLATE				2
5	SL6051292TN	SCREW M5 L=12				4
6	40173692	TABLE				1
7	40173705	RIVET				38
8	40173711	RIVET				8
9	40173706	TABLE_INSIDE_BLOCK				1
10	40173701	RIVET				2
11	SM1041601SC	SCREW M4X0.7 L=16				2
12	40173703	TABLE_COVER_RIGHT				1
13	SM1040801SC	SCREW M4X0.7 L=8				4
14	40173712	TABLE_COVER_LEFT				1
15	SM1040801SC	SCREW M4X0.7 L=8				2
16	40173641	TABLE_SUPPORT_BASE_ASM				6
17	SL6052092TN	SCREW M5 L=20				18
18	SK3482501SE	WOOD SCREW D=4.8 L=25				18
19	40173695	SHIELD_PLATE				2
20	40173694	SCREW				10
21	40173708	TABLE_FRONT_COVER				1
22	40173694	SCREW				3
23	40173707	SHIELD_PLATE_BACK				1
24	40173694	SCREW				3
25	40173704	ANGLE_SHIELD_PLATE				4
26	SM3040652TN	SCREW M4 L=6				16
27	40173866	EXTEND_TABLE_RIGHT_ASSY				1
28	40173716	EXTEND_TABLE_RIGHT		*		1
29	40173705	RIVET		*		8
30	40173867	EXTEND_TABLE_LEFT_ASSY				1
31	40173717	EXTEND_TABLE_LEFT		*		1
32	40173705	RIVET		*		6
33	40173719	TABLE_FRONT_COVER_CLAMP				2
34	SM6051202TP	SCREW M5X0.8 L=12				4
35	WP0501016SD	WASHER 5X10.5X1				4
36	40173548	TABLE_SUPPORT_BRACKET				3
37	SM6051202TP	SCREW M5X0.8 L=12				12
38	WP0501016SD	WASHER 5X10.5X1				12
39	40173868	UNDER_BEAM_RIGHT_ASSY				1
40	40173718	TABLE_FRONT_COVER		*		1
41	40173705	RIVET		*		6
42	CM300200001	FINGER INJURY CAUTION LABEL (16)		*		1
43	40173869	UPPER_BEAM_PLATE_REAR_ASSY				2
44	40173547	TABLE_FRONT_COVER_STOPPER		*		1
45	PS0400082KP	SPRING PIN TYPE W 4X8		*		1
46	SM6051202TP	SCREW M5X0.8 L=12				2
47	WP0501016SD	WASHER 5X10.5X1				2

TABLE COMPONENTS (1)

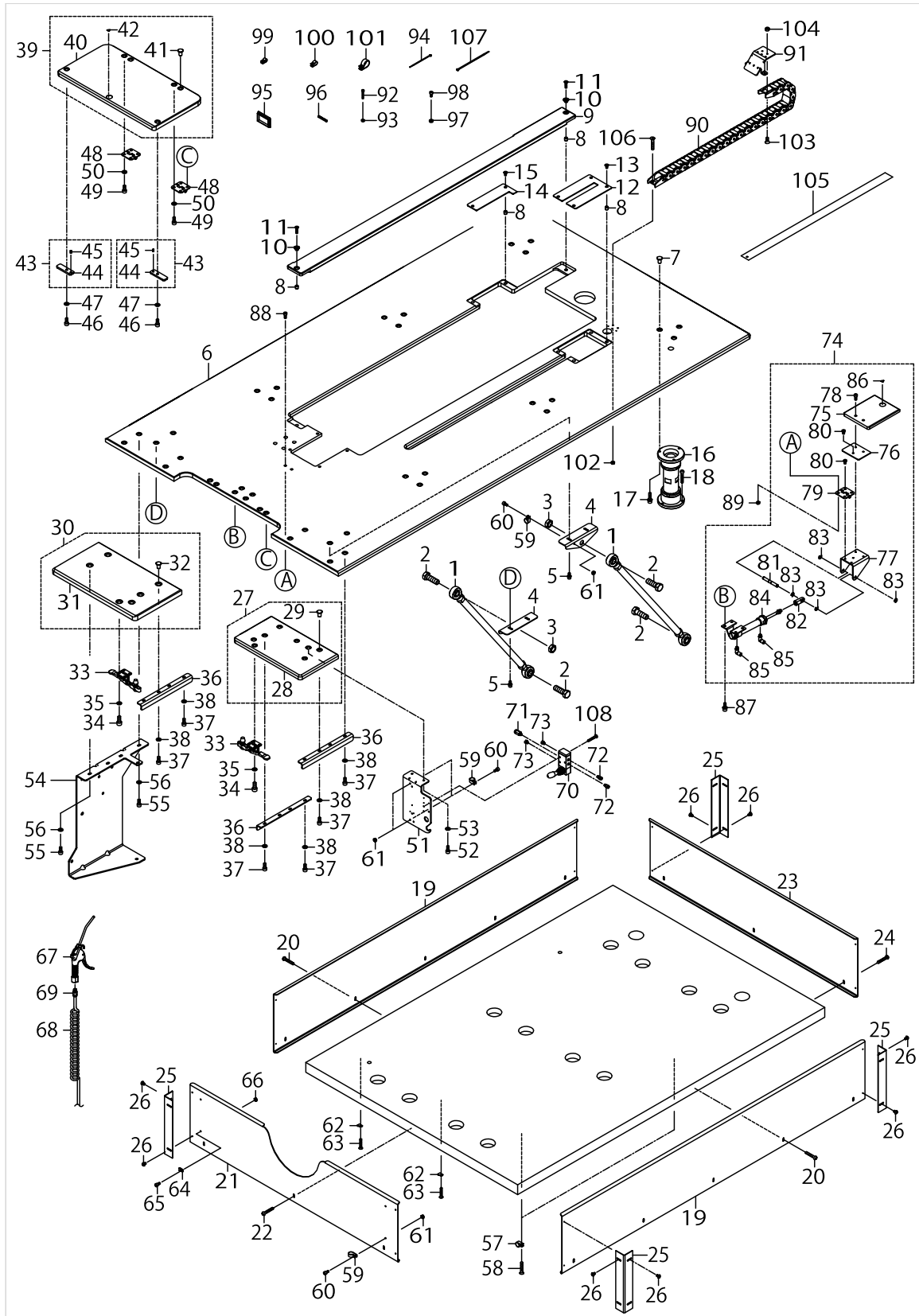


TABLE COMPONENTS (1)

No.	Parts No.	Parts name	Remarks	Level	Cons	Qty
48	40173714	HINGE				2
49	SM6051202TP	SCREW M5X0.8 L=12				8
50	WP0501016SD	WASHER 5X10.5X1				8
51	40173544	SWITCH_INSTALLATION_BOARD				1
52	SM6051202TP	SCREW M5X0.8 L=12				2
53	WP0501016SD	WASHER 5X10.5X1				2
54	40186376	SUPPORT_BRACKET				1
55	SM6051202TP	SCREW M5X0.8 L=12				8
56	WP0501016SD	WASHER 5X10.5X1				8
57	HX00150000G	CABLE CLAMP				2
58	SK1412001SD	WOOD SCREW D=4.1 L=20				2
59	HX00150000G	CABLE CLAMP				5
60	SM6040802TP	SCREW M4X0.7 L=8				5
61	NM6040001SD	NUT M4X0.7 TYPE1				2
62	HX001500000	CABLE CLAMP				2
63	SK1412001SD	WOOD SCREW D=4.1 L=20				2
64	HX001500000	CABLE CLAMP				2
65	SM6040802TP	SCREW M4X0.7 L=8				2
66	NM6040001SD	NUT M4X0.7 TYPE1				2
67	40173733	AIR_GUN				1
68	40173735	AIR_GUN_TUBE				1
69	PJ210008400	HALF UNION				1
70	PV015128000	MANUAL VALVE				1
71	PJ210008300	HALF UNION				1
72	PJ210004600	HALF UNION				2
73	PX055105000	SILENCER				2
74	40173871	TABLE_COVER_ASSY				1
75	40173713	TABLE_COVER		*		1
76	40173546	TABLE_COVER_BRACKET_B		*		1
77	40173545	TABLE_COVER_BRACKET_A		*		1
78	SM6041602TP	SCREW M4X0.7 L=16		*		2
79	40173714	HINGE		*		1
80	SM6040652TP	SCREW M4 L=6		*		3
81	40173715	SHAFT		*		1
82	40174023	CYLINDER_JOINT		*		1
83	RE0700000K0	E-RING 7		*		4
84	PA2005020A0	AIR CYLINDER		*		1
85	PJ304045102	ELBOW UNION C		*		2
86	GM300200001	FINGER INJURY CAUTION LABEL (16)		*		1
87	SL6051492TN	SCREW M5 L=14				4
88	SM6041802TP	SCREW M4 L=18				2
89	NM6040000SN	NUT M4 TYPE1				2
90	40173720	TOWLONE				1
91	40173870	UPPER_BEAM_REAR				1
92	SM6032002TN	SCREW M3X0.5 L=20				4
93	NM6030001SC	NUT M3X0.5 TYPE1				4
94	EA9500B0100	CABLE BAND				21

TABLE COMPONENTS (1)

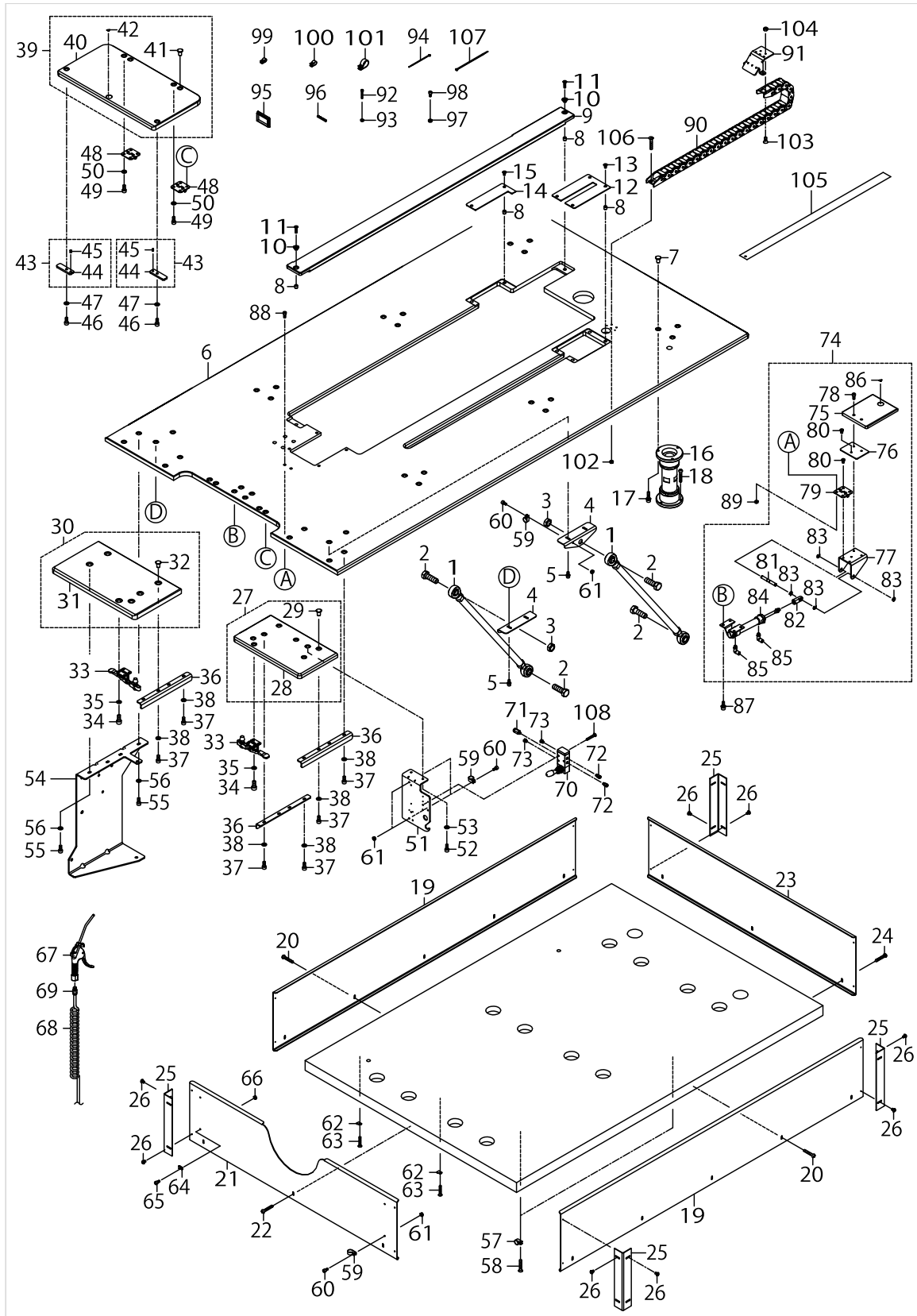


TABLE COMPONENTS (1)

No.	Parts No.	Parts name	Remarks	Level	Cons	Qty
95	HX004070000	GROMMET				1
96	EA9002B1100	GROMMET				0.07
97	NM6040001SD	NUT M4X0.7 TYPE1				9
98	SM6040802TP	SCREW M4X0.7 L=8				7
99	HX00150000C	CABLE CLAMP				1
100	HX00150000D	CABLE CLAMP				4
101	HX00150000M	CABLE CLAMP				1
102	NM6050001SC	NUT M5X0.8 TYPE1				2
103	SM1051201SC	SCREW M5X0.8 L=12				2
104	NM6050001SC	NUT M5X0.8 TYPE1				2
105	40173745	CABLE SHEET				2
106	SM1053001SP	SCREW M5X0.8 L=30				2
107	EA9500B0200	CABLE BAND 150				2
108	SM4042501SC	SCREW M4X0.7 L=25				3

TABLE COMPONENTS (2)

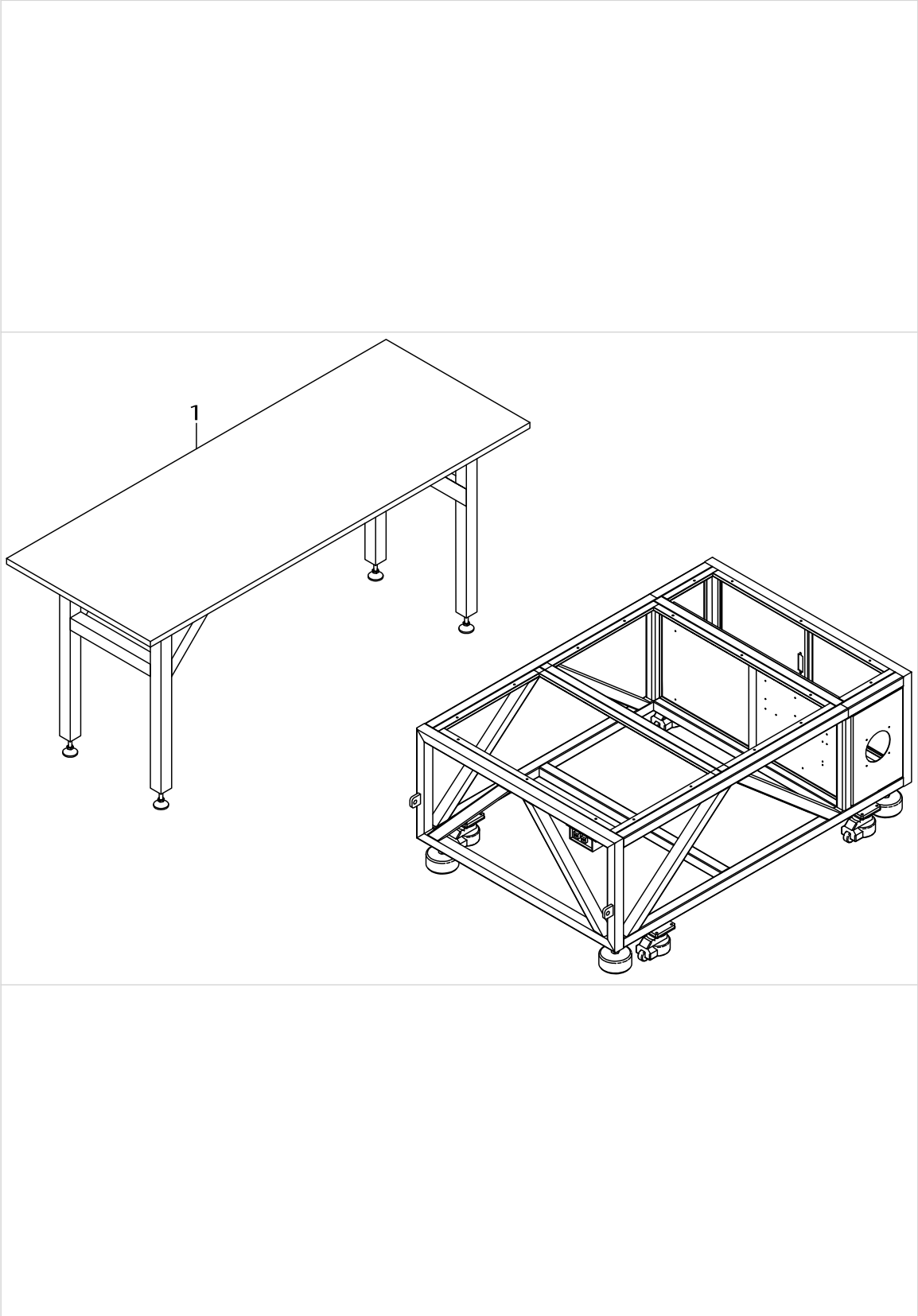
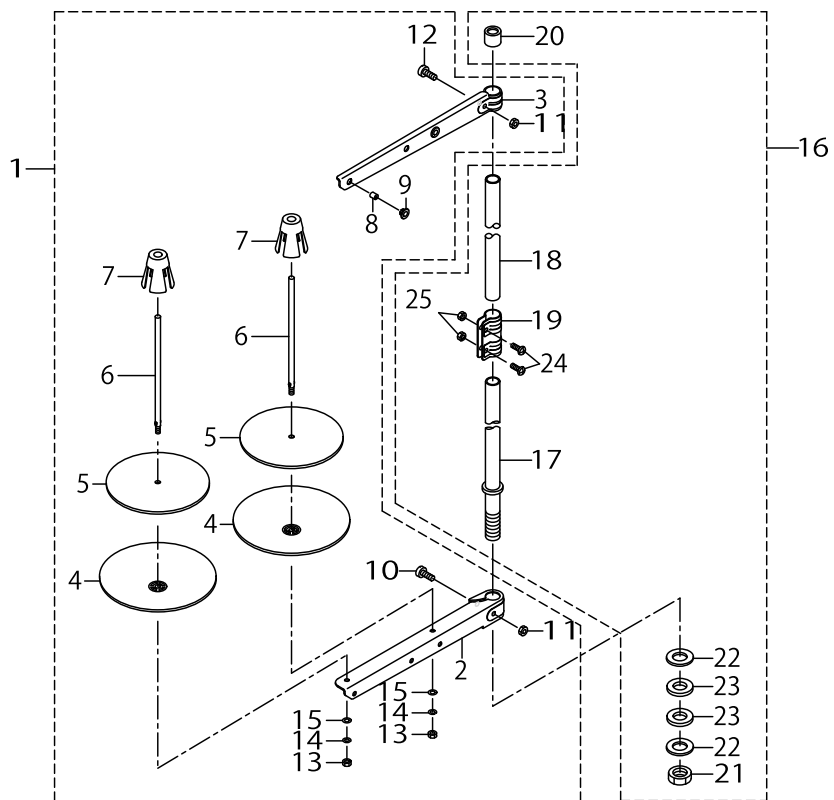


TABLE COMPONENTS (2)

No.	Parts No.	Parts name	Remarks	Level	Cons	Qty
1	40173750	AUXILIARY_TABLE_ASM				2

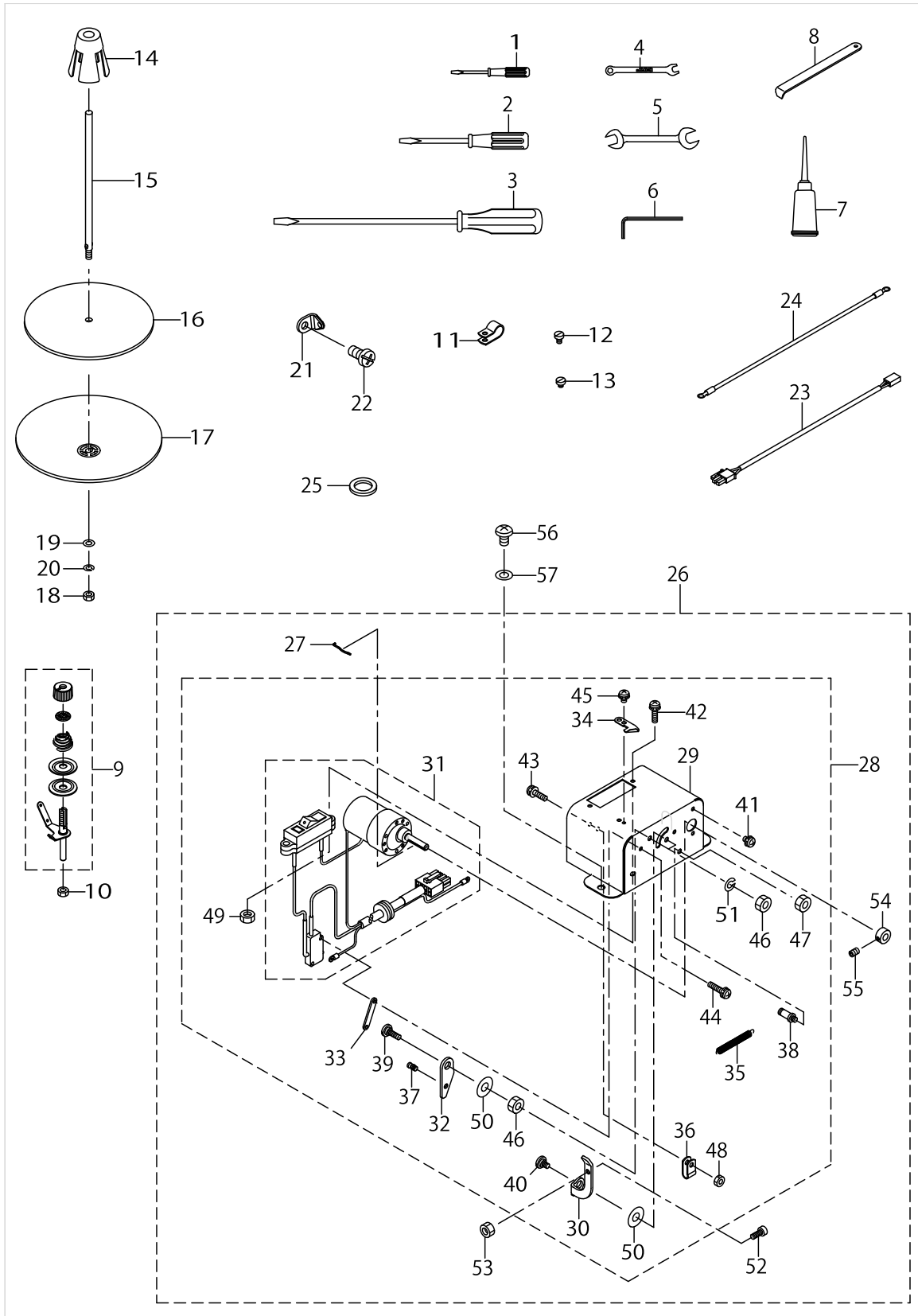
THREAD STAND COMPONENTS



THREAD STAND COMPONENTS

No.	Parts No.	Parts name	Remarks	Level	Cons	Qty
1	40108402	THRED_STAND_B				1
2	40085786	SPOOL REST ARM (LOWER)		*		1
3	40085787	SPOOL REST ARM (UPPER)		*		1
4	40085788	SPOOL REST		*		2
5	40085789	SPOOL REST CUSHION		*		2
6	40085790	SPOOL PIN		*		2
7	40085791	SPOOL RETAINER		*		2
8	40085794	THREAD GUIDE		*		2
9	40085795	THREAD GUIDE BUSHING		*		2
10	40096326	SPOOL REST ARM LOWER SCREW		*		1
11	NM6050001SE	NUT M5		*		2
12	40096327	SPOOL REST ARM UPPER SCREW		*		1
13	NM6050001SE	NUT M5		*		2
14	WS0510002KN	SPRING WASHER M5		*		2
15	WP0531001SC	WASHER M5		*		2
16	40108401	THREAD_STAND_A				1
17	40085784	SPOOL REST ROD LOWER		*		1
18	40085785	SPOOL REST ROD UPPER		*		1
19	40085792	SPOOL REST ROD JOINT		*		1
20	40085793	SPOOL REST ROD RUBBER CAP		*		1
21	40096325	SPOOL REST ROD NUT		*		1
22	WP1612616SE	WASHER 16X30X2.6		*		2
23	40085796	SPOOL REST ROD RUBBER CUSHION		*		2
24	SM4051405SE	SCREW M5 L=14		*		2
25	NM6050001SE	NUT M5		*		2

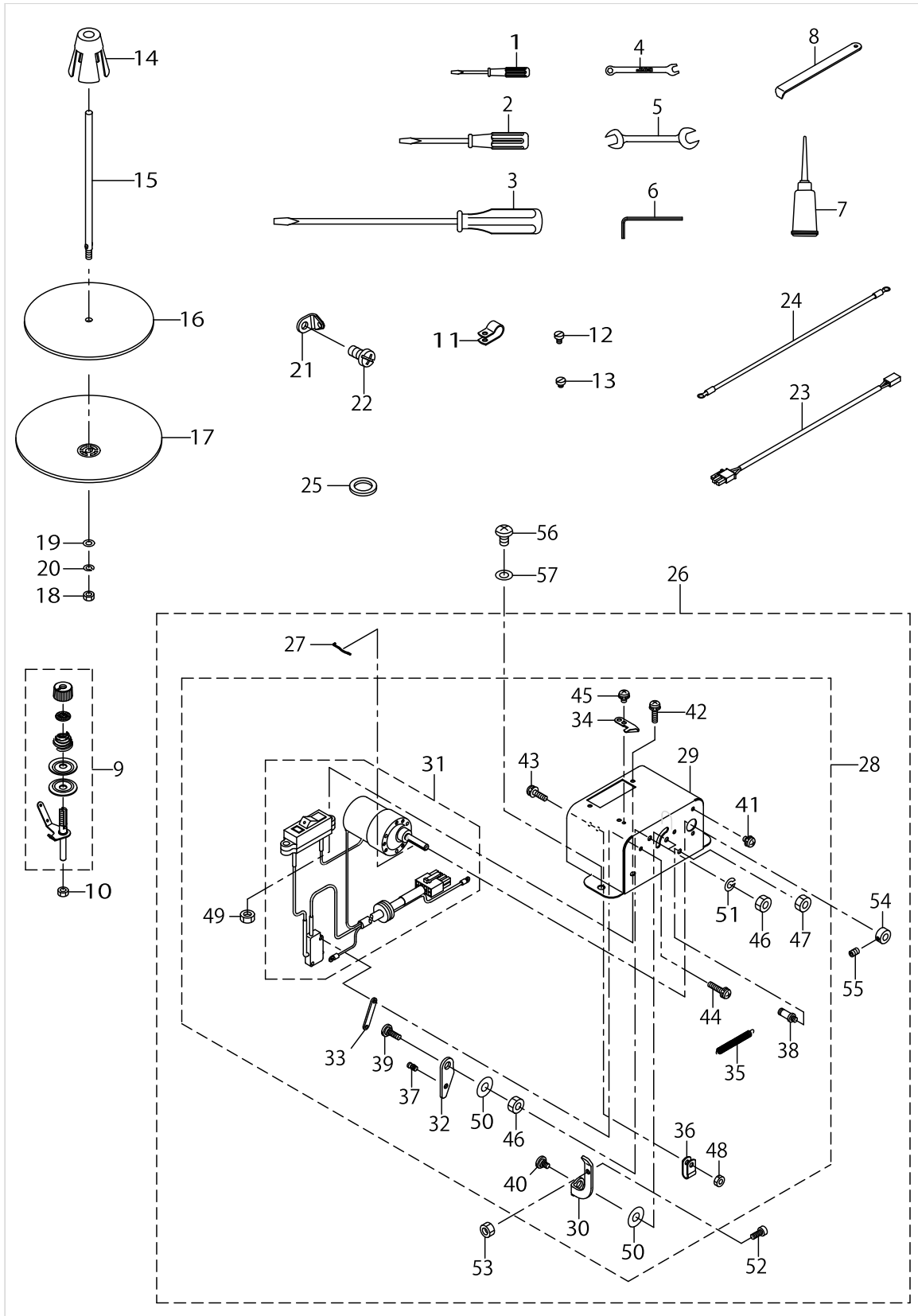
ACCESSORIE PARTS COMPONENTS



ACCESSORIE PARTS COMPONENTS

No.	Parts No.	Parts name	Remarks	Level	Cons	Qty
1	22933204	SCREW DRIVER				1
2	22933105	SCREW DRIVER				1
3	22933006	SCREW DRIVER				1
4	13160106	SPANNER (5X6)				1
5	B9143372000	WRENCH (7.1X8.1)				1
6	40055591	HEXAGONAL WRENCH KYE				1
7	B91210120A0	OILER ASM.				1
8	B9101490000	DRIVER				1
9	40091212	BOBBIN_THREAD_TENSION_ASM.				1
10	NM6050001SD	NUT M5X0.8 TYPE1				1
11	HX00150000D	CABLE CLAMP				2
12	SM6040600SP	SCREW M4 L=6				2
13	SM6040450TP	SCREW M4 L=4				2
14	40085791	SPOOL RETAINER				1
15	40085790	SPOOL PIN				1
16	40085789	SPOOL REST CUSHION				1
17	40085788	SPOOL REST				1
18	NM6050001SE	NUT M5X0.8 TYPE1				1
19	WP0531001SC	WASHER M5				2
20	WS0510002KN	SPRING WASHER M5				1
21	40010414	THREAD_GUIDE_NO.1				1
22	SM4050601SC	SCREW M5X0.8 L=6				1
23	40174012	BOBBIN_WINDER_RELAY_CABLE_ASSY				1
24	40173771	FG CORD ASSY				1
25	WP1602616SZ	WASHER 16X24X2.6				2
26	13870266	BOBBIN THREAD WINDING DEVICE				1
27	B3212761000	LATCH SPRING		*		1
28	13870258	BOBBIN THREAD WIDING DEVICE		*		1
29	13870209	BOBBIN THREAD COVER		*		1
30	13870605	BOBBIN GUIDE		*		1
31	13874052	MOTOR ASM.		*		1
32	13889704	SWITCH PUSHING PLATE		*		1
33	11102308	MICRO SWITCH PLATE		*		1
34	10502300	THREAD CUTTER		*		1
35	B3041980000	SPRING		*		1
36	HX001230000	CABLE CLIP		*		1
37	B1110280000	THREAD CUTTING LINK SPRING RAC		*		1
38	B3413227000	SPRING SUSPENSION		*		1
39	SD0720222TP	HINGE SCREW D=7.24 H=2.2		*		1
40	SD0720221SP	HINGE SCREW D=7.24 H=2.2		*		1
41	SL4030591SC	SCREW M3X5		*		3
42	SL4031281SC	SCREW M3 L=12		*		2
43	SL4031281SC	SCREW M3 L=12		*		2
44	SL4031481SC	SCREW M3X14		*		2
45	SL4030591SC	SCREW M3X5		*		1
46	NS6110420SP	NUT 11/64-40		*		3
47	NS6110420SP	NUT 11/64-40		*		1

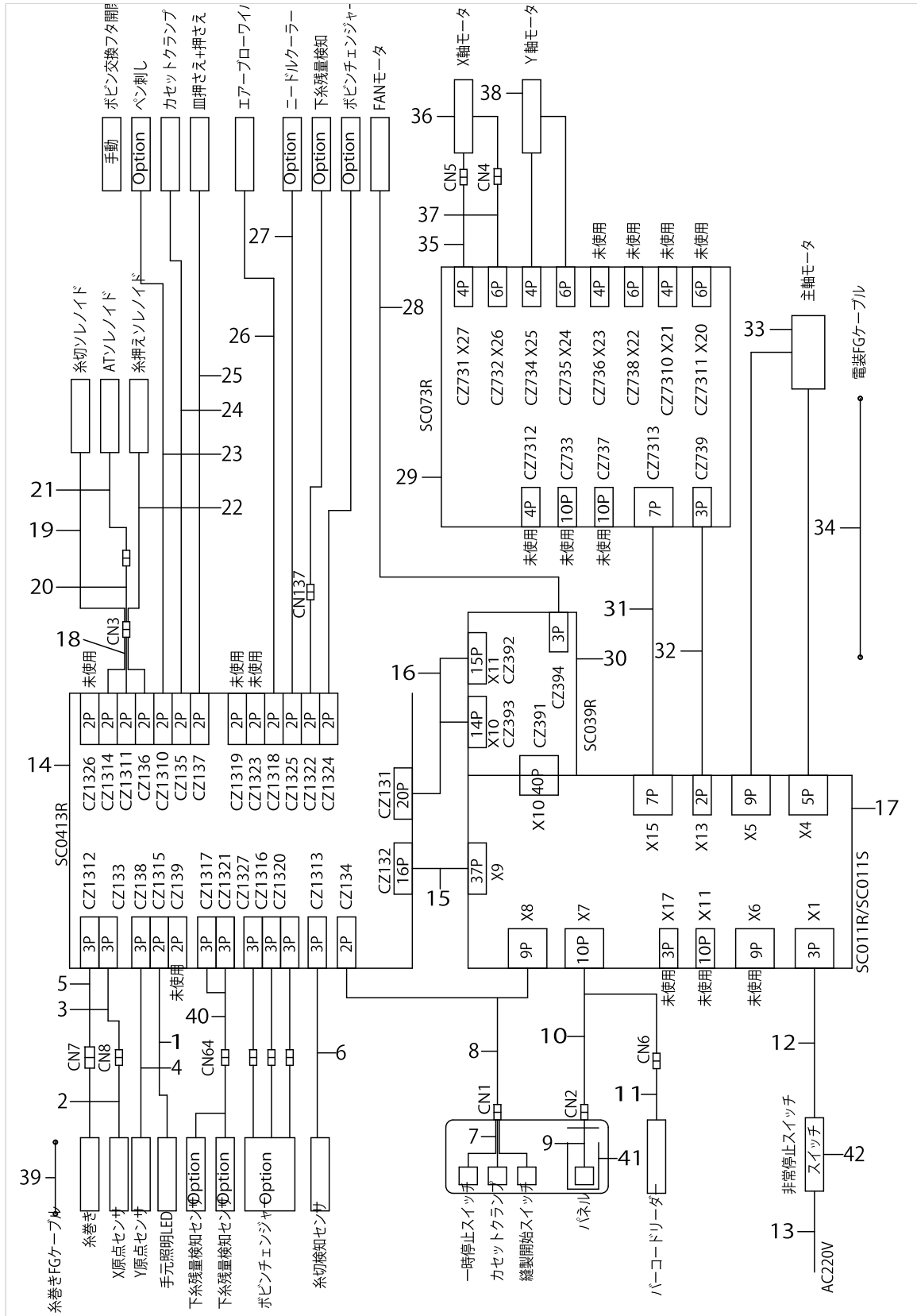
ACCESSORIE PARTS COMPONENTS



ACCESSORIE PARTS COMPONENTS

No.	Parts No.	Parts name	Remarks	Level	Cons	Qty
48	NM6030001SC	NUT M3		*		2
49	NM6030001SC	NUT M3		*		2
50	WP0551016SH	WASHER 5.5X13X1		*		2
51	WS0451040KP	SPRING WASHER 4.5X8.5X1		*		2
52	B3208280000	BOBBIN WINDER ADJUSTING SCREW		*		1
53	NS6110420SP	NUT 11/64-40		*		1
54	CS0640611SP	THRUST HOLDER		*		1
55	SS8090530TP	SCREW 9/64-40 L=5.0		*		1
56	SM4050801SC	SCREW M5X0.8 L=8				2
57	WP0531001SC	WASHER				2

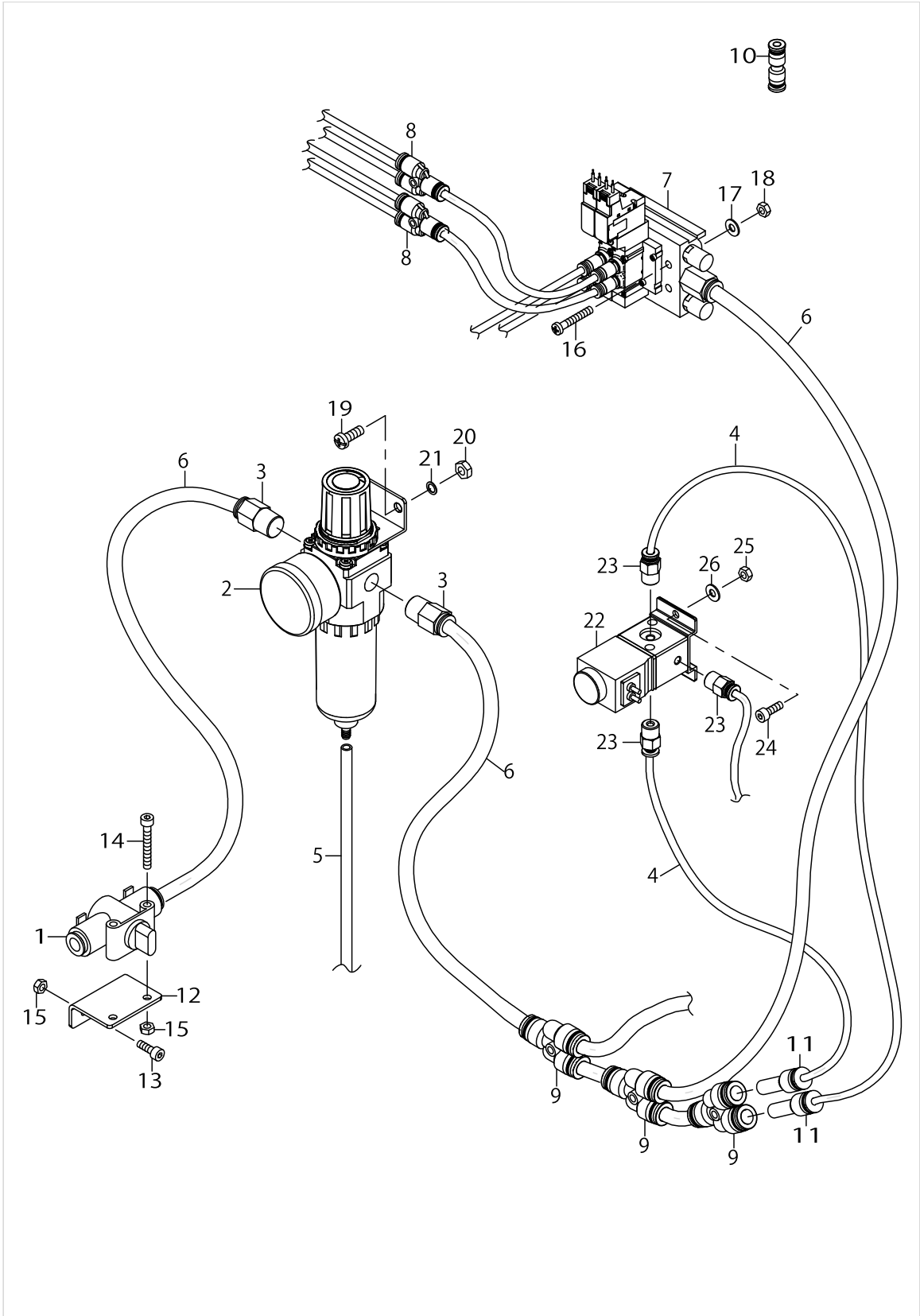
ELECTRIC COMPONENTS



ELECTRIC COMPONENTS

No.	Parts No.	Parts name	Remarks	Level	Cons	Qty
1	-	-				1
2	40173608	X_ORG_SENSOR_ASSY				1
3	40173769	X_ORG_SENSOR_RELAY_CABLE_ASSY				1
4	40173609	Y_ORG_SENSOR_ASSY				1
5	40174012	BOBBIN_WINDER_RELAY_CABLE_ASSY				1
6	40173621	THREAD BREAK DETECTOR ASSY				1
7	40173624	SWITCH CABLE ASSY				1
8	40173612	PANEL_SWITCH_CABLE_ASSY				1
9	40173743	PANEL_CABLE_ASSY				1
10	40173768	BCD_LEADER_RELAY_CABLE_ASSY				1
11	40173606	BCD_LEADER_ASSY				1
12	40173763	AC_INPUT_CORD_ASSY_4M				1
13	40173764	AC_INPUT_CORD_ASSY_3M				1
14	40173605	SC0413R_PCB_ASSY				1
15	40173611	I/F_CABLE(X9)				1
16	40173610	I/F_CABLE(X10/X11)				1
17	40173618	SC011R/SC011S_PCB_ASSY				1
18	40173613	SOLENOID_RELAY_CABLE_ASSY				1
19	40173631	THREAD_TRIMMER_SOLENOID_ASM				1
20	40173770	AT SOLENOID RELAY CABLE ASSY				1
21	40174350	AT_SOLENOID_A				1
22	40173623	THREAD_NIPPER_SOLENOID				1
23	40173628	SOLENOID VALVE C ASSY				1
24	40173626	SOLENOID VALVE A ASSY				1
25	40173627	SOLENOID VALVE B ASSY				1
26	40173630	SOLENOID VALVE E ASSY				1
27	40173629	SOLENOID VALVE D ASSY				1
28	40174000	FAN MOTOR CABLE ASSY				1
29	40173620	SC073R_PCB_ASSY				1
30	40173619	SC039R_PCB_ASSY				1
31	40174001	PCB CABLE ASSY				1
32	40174002	PCB CABLE ASSY				1
33	40173602	AC_SERVO_MOTOR_ASSY				1
34	40173607	FG_CABLE				1
35	40173765	X_MOTOR_RELAY_CABLE_ASSY				1
36	40173603	X_MOTOR_ASSY				1
37	40173766	X_MOTOR_ENC_RELAY_CABLE_ASSY				1
38	40173604	Y_MOTOR_ASSY				1
39	40173771	FG CORD ASSY				1
40	40173772	THREAD_AMOUNT_RELAY_CABLE				1
41	40173601	PANEL_ASSY				1
42	HA005820000	SWITCH				1

PNEUMATIC COMPONENTS



PNEUMATIC COMPONENTS

No.	Parts No.	Parts name	Remarks	Level	Cons	Qty
1	PV010016000	QUICK_EXHAUST_VALVE				1
2	PF0252180A0	REGULATOR				1
3	PJ210008500	UNION				2
4	BT0400251EB	URETHANE TUBE BLACK 4X2.5				24
5	BT0600401EB	URETHANE TUBE BLACK 6X4				1
6	BT0800501EB	URETHANE TUBE BLACK 8X5				4
7	40173730	SOLENOID_VALVE_ASSY				1
8	PJ3C8040002	UNION				2
9	PJ308080006	UNION				4
10	PJ303040007	UNION				2
11	PJ309040007	UNION				2
12	40174034	QUICK_EXHAUST_VALVE_PLATE				1
13	SM6041202TP	SCREW				2
14	SM6043002TN	SCREW				2
15	NM6040000SN	NUT M4				4
16	SM4042555SP	SCREW				4
17	WP0450826SC	WASHER				4
18	NM6040000SN	NUT M4				4
19	SM4051455SP	SCREW				2
20	NM6050001SP	NUT M5				2
21	WP0510516SD	WASHER				2
22	40173630	SOLENOID VALVE E ASSY				1
23	PJ3C1040502	UNION				3
24	SM6041202TP	SCREW				2
25	NM6040000SN	NUT M4				2
26	WP0450826SC	WASHER				2

NUMERICAL INDEX OF PARTS

PART NO	PAGE	REF NO.	PART NO	PAGE	REF NO.	PART NO	PAGE	REF NO.
-	2	65	22945604	28	45	40090005	22	13
-	4	65	22945703	28	46	40090006	6	10
-	6	38	22945802	28	47	40090007	6	13
-	8	50	22963409	28	44	40090008	6	2
-	10	50	22963458	28	42	40090009	22	14
-	12	32	23629306	36	7	40090415	24	13
-	14	21	23629504	36	1	40090416	24	43
-	16	28	26037200	2	38	40090417	24	19
-	22	17	26201004	28	24	40090418	24	20
-	34	11	26211904	4	51	40090419	24	12
-	36	49	40004749	36	6	40090488	24	41
-	38	49	40010414	4	53	40090489	24	39
-	54	1	40010414	50	21	40091087	26	50
10502300	50	34	40010805	22	7	40091147	24	40
11017209	12	30	40023223	12	12	40091203	36	16
11017357	12	29	40025414	4	57	40091212	50	9
11102308	50	33	40055591	50	6	40096325	48	21
11403953	12	20	40078133	8	31	40096326	48	10
13160106	50	4	40084059	24	42	40096327	48	12
13170105	36	13	40084091	24	27	40097210	36	47
13171004	36	14	40085784	48	17	40108401	48	16
13870209	50	29	40085785	48	18	40108402	48	1
13870258	50	28	40085786	48	2	40126724	28	9
13870266	50	26	40085787	48	3	40145927	22	2
13870605	50	30	40085788	48	4	40149044	30	51
13874052	50	31	40085788	50	17	40172470	28	1
13889704	50	32	40085789	48	5	40172472	28	10
22901409	12	2	40085789	50	16	40172473	28	11
22903900	38	50	40085790	48	6	40172474	28	12
22905103	6	31	40085790	50	15	40173539	34	8
22906101	12	1	40085791	48	7	40173540	34	9
22916308	22	8	40085791	50	14	40173541	18	20
22918304	12	23	40085792	48	19	40173542	36	8
22918403	12	24	40085793	48	20	40173543	36	12
22918502	12	25	40085794	48	8	40173544	42	51
22918601	12	26	40085795	48	9	40173545	42	77
22918700	12	27	40085796	48	23	40173546	42	76
22920409	28	26	40086740	6	25	40173547	40	44
22921506	28	7	40088225	24	2	40173548	40	36
22921605	28	4	40088226	24	1	40173550	32	1
22925101	36	37	40088228	24	3	40173551	32	2
22933006	50	3	40088229	24	4	40173553	8	16
22933105	50	2	40090002	6	9	40173554	30	57
22933204	50	1	40090003	6	12	40173555	28	31
22945414	28	43	40090004	6	1	40173556	6	21

NUMERICAL INDEX OF PARTS

PART NO	PAGE	REF NO.	PART NO	PAGE	REF NO.	PART NO	PAGE	REF NO.
40173557	6	22	40173623	54	22	40173680	20	67
40173559	12	21	40173624	54	7	40173683	20	74
40173560	22	1	40173626	54	24	40173684	20	76
40173561	22	4	40173627	54	25	40173690	40	2
40173563	22	5	40173628	32	8	40173691	40	3
40173564	18	19	40173628	54	23	40173692	40	6
40173565	8	1	40173629	28	34	40173694	40	24
40173566	8	30	40173629	54	27	40173695	40	19
40173567	16	12	40173630	54	26	40173701	40	10
40173568	14	10	40173630	56	22	40173703	40	12
40173572	4	79	40173631	14	1	40173704	40	25
40173574	2	17	40173631	54	19	40173705	40	41
40173576	2	21	40173632	6	41	40173706	40	9
40173577	2	24	40173633	6	42	40173707	40	23
40173578	2	27	40173635	22	20	40173708	40	21
40173579	2	41	40173639	34	2	40173710	40	4
40173580	2	43	40173640	34	3	40173711	40	8
40173582	4	80	40173641	40	16	40173712	40	14
40173584	18	31	40173643	6	28	40173713	42	75
40173586	34	7	40173644	22	11	40173714	42	79
40173588	34	17	40173645	18	2	40173715	42	81
40173590	6	20	40173646	18	3	40173716	40	28
40173591	6	33	40173647	18	5	40173717	40	31
40173592	12	3	40173648	18	7	40173718	40	40
40173593	22	6	40173649	18	9	40173719	40	33
40173595	8	17	40173650	18	11	40173720	42	90
40173596	8	18	40173651	18	13	40173725	18	33
40173598	2	19	40173652	18	15	40173728	16	26
40173601	54	41	40173653	18	17	40173730	56	7
40173602	54	33	40173659	18	22	40173732	30	52
40173603	54	36	40173660	18	23	40173733	42	67
40173604	54	38	40173661	18	29	40173734	6	43
40173605	54	14	40173663	18	34	40173734	28	23
40173606	54	11	40173664	18	36	40173735	42	68
40173607	54	34	40173665	18	37	40173743	54	9
40173608	54	2	40173667	18	40	40173745	44	105
40173609	54	4	40173669	18	43	40173746	14	6
40173610	54	16	40173671	18	46	40173747	14	16
40173611	54	15	40173672	20	48	40173750	46	1
40173612	54	8	40173674	20	51	40173752	28	33
40173613	54	18	40173675	20	54	40173754	8	15
40173618	54	17	40173676	20	57	40173756	6	39
40173619	54	30	40173677	20	61	40173758	2	50
40173620	54	29	40173678	20	63	40173758	4	50
40173621	54	6	40173679	20	66	40173758	6	16

NUMERICAL INDEX OF PARTS

PART NO	PAGE	REF NO.	PART NO	PAGE	REF NO.	PART NO	PAGE	REF NO.
40173759	6	17	40173834	16	14	40174313	28	8
40173762	30	48	40173835	16	17	40174350	28	17
40173763	54	12	40173837	16	20	40174350	54	21
40173764	54	13	40173838	16	33	40186376	42	54
40173765	54	35	40173842	36	21	40186485	26	59
40173766	54	37	40173850	36	36	40186575	4	73
40173768	54	10	40173854	14	8	40186576	4	74
40173769	54	3	40173857	14	14	40186577	38	55
40173770	28	27	40173863	40	1	40186578	4	75
40173770	54	20	40173866	40	27	40186579	4	76
40173771	50	24	40173867	40	30	A1230500000A	6	37
40173771	54	39	40173868	40	39	B1110280000	50	37
40173772	26	57	40173869	40	43	B1157781000	24	28
40173772	54	40	40173870	42	91	B1212210D00	6	36
40173773	2	14	40173871	42	74	B1215552000	38	53
40173775	38	51	40173872	34	1	B1601210D0BA	8	36
40173776	12	4	40173928	2	1	B1837201SA0	22	21
40173778	12	6	40173938	2	26	B2702210000	30	54
40173779	12	8	40173941	2	32	B2703210000	30	55
40173780	12	9	40173946	2	36	B3041980000	50	35
40173781	12	13	40173987	4	81	B3118552H00	28	3
40173782	12	17	40173988	2	35	B3132012000	28	13
40173783	12	18	40173996	36	40	B3208280000	52	52
40173784	12	19	40173997	36	41	B3212761000	50	27
40173785	12	22	40173999	36	42	B3413227000	50	38
40173790	22	16	40174000	54	28	B8228125000	36	15
40173791	22	18	40174001	54	31	B9101490000	50	8
40173792	14	20	40174002	54	32	B91210120A0	50	7
40173794	30	49	40174011	36	5	B9143372000	50	5
40173796	34	10	40174012	50	23	BT0400251EB	20	70
40173797	8	6	40174012	54	5	BT0400251EB	28	41
40173803	8	9	40174015	36	18	BT0400251EB	32	10
40173804	8	11	40174016	4	78	BT0400251EB	56	4
40173805	8	10	40174017	4	77	BT0600401EB	56	5
40173806	8	12	40174020	6	15	BT0800501EB	56	6
40173807	8	20	40174021	36	19	CM300200001	40	86
40173814	8	32	40174023	42	82	CM300200001	42	86
40173815	8	33	40174025	8	3	CM500200001	6	4
40173817	16	1	40174028	14	4	CQ250000001	12	31
40173821	8	44	40174032	26	51	CS0640611SP	52	54
40173829	16	3	40174033	26	52	D1830560EA0	22	19
40173830	16	5	40174034	56	12	EA9002B1100	44	96
40173831	16	7	40174035	14	5	EA9500B0100	4	61
40173832	16	9	40174311	28	21	EA9500B0100	20	78
40173833	16	11	40174312	28	14	EA9500B0100	24	60

NUMERICAL INDEX OF PARTS

PART NO	PAGE	REF NO.	PART NO	PAGE	REF NO.	PART NO	PAGE	REF NO.
EA9500B0100	26	60	HX004070000	44	95	PV015128000	42	70
EA9500B0100	34	12	MAO91003000	24	35	PX055105000	42	73
EA9500B0100	42	94	MDB1SFB0902	12	11	RC0410415KP	28	15
EA9500B0200	44	107	NM6030001SC	42	93	RC1700001KP	28	5
GAE030120A0	24	32	NM6030001SC	52	49	RE0150000K0	24	6
GAE03018000	24	30	NM6040000SN	4	58	RE0200000K0	24	47
GAE03020000	24	10	NM6040000SN	28	61	RE0400000K0	28	25
GAE03021000	24	7	NM6040000SN	30	61	RE0500000K0	28	20
GAE03022000	24	9	NM6040000SN	42	89	RE0700000K0	42	83
GAE03023000	24	5	NM6040000SN	56	25	RE1000000K0	6	7
GAE03025000	24	8	NM6040001SD	42	97	RO029180100	38	52
GAE03028000	24	16	NM6040001SD	44	97	RO044240100	12	15
GAE03032000	24	46	NM6050001SC	34	16	RO098190100	6	8
GAE030460A0	22	22	NM6050001SC	44	104	SB130000600	6	26
GAE030460A0	26	56	NM6050001SD	50	10	SD0400201SD	26	48
GAE040140A0	24	34	NM6050001SE	48	25	SD0720221SP	50	40
GAE04019000	24	15	NM6050001SE	50	18	SD0720222TP	50	39
GAE04027000	24	14	NM6050001SP	56	20	SD0790204SP	24	33
GAE04029000	24	17	NS6110310SP	36	45	SK1412001SD	42	63
GAE04038000	24	25	NS6110420SP	24	36	SK2351601SE	34	15
GAE04039000	24	24	NS6110420SP	50	53	SK3482501SE	40	18
GAF01007000	6	5	NS6110420SP	52	53	SL4030591SC	50	45
HA005820000	54	42	PA060200700	32	6	SL4030681SC	24	26
HX001230000	50	36	PA100153500	20	71	SL4031281SC	50	43
HX001500000	42	64	PA2005020A0	42	84	SL4031481SC	50	44
HX00150000A	4	67	PF0252180A0	56	2	SL6030592TN	36	17
HX00150000B	4	68	PF070001000	28	28	SL6030892TN	20	60
HX00150000C	4	59	PJ210004600	42	72	SL6031492TN	18	30
HX00150000C	44	99	PJ210008300	42	71	SL6032092TN	20	73
HX00150000D	26	53	PJ210008400	42	69	SL6040842TN	20	64
HX00150000D	30	60	PJ210008500	56	3	SL6040892TN	18	75
HX00150000D	44	100	PJ301040302	20	72	SL6040892TN	20	75
HX00150000D	50	11	PJ301040509	32	9	SL6040892TN	28	58
HX00150000F	18	27	PJ303040007	56	10	SL6040892TN	30	58
HX00150000G	42	59	PJ304040504	32	7	SL6041092TN	18	12
HX00150000H	4	69	PJ304045102	42	85	SL6041292TN	20	68
HX00150000H	26	58	PJ308040006	20	69	SL6041492TN	20	62
HX00150000K	2	12	PJ308080006	56	9	SL6041492TN	28	59
HX00150000M	2	71	PJ309040007	56	11	SL6041492TN	30	59
HX00150000M	4	71	PJ3C1040502	28	35	SL6041692TN	28	30
HX00150000M	44	101	PJ3C1040502	56	23	SL6042042TN	18	38
HX001890000	24	37	PJ3C8040002	56	8	SL6042092TN	18	18
HX00285000A	24	23	PS0400082KP	40	45	SL6051292TN	40	5
HX00314000A	2	15	PS0400142KH	6	6	SL6051492TN	42	87
HX00314000A	34	13	PV010016000	56	1	SL6052092TN	16	32

NUMERICAL INDEX OF PARTS

PART NO	PAGE	REF NO.	PART NO	PAGE	REF NO.	PART NO	PAGE	REF NO.
SL6052092TN	18	10	SM6040802TP	34	4	WP0450801SD	36	46
SL6052092TN	36	9	SM6040802TP	42	98	WP0450826SC	28	40
SL6052092TN	40	17	SM6040802TP	44	98	WP0450826SC	56	26
SL6054592TN	18	32	SM6040860TP	30	56	WP0460556SD	18	65
SL6062542TN	16	30	SM6041002TP	26	55	WP0460556SD	20	65
SL6062542TN	18	24	SM6041202TP	18	4	WP0501016SD	40	56
SL6062592TN	16	10	SM6041202TP	28	38	WP0501016SD	42	56
SM0850801SC	24	44	SM6041202TP	56	24	WP0510516SD	56	21
SM1030800SM	20	77	SM6041602TP	42	78	WP0531001SC	28	37
SM1040801SC	40	15	SM6041802TP	32	3	WP0531001SC	48	15
SM1041601SC	40	11	SM6041802TP	42	88	WP0531001SC	50	57
SM1051201SC	44	103	SM6043002TN	56	14	WP0531001SC	52	57
SM1053001SP	44	106	SM6051202TP	40	55	WP0551016SH	52	50
SM3040652TN	18	55	SM6051202TP	42	55	WP0621016SD	38	54
SM3040652TN	20	55	SM8030312TP	30	50	WP0641600SC	16	31
SM3040652TN	40	26	SM8040412TP	30	53	WP0641600SC	18	25
SM3041052TN	18	58	SM8040612TP	28	2	WP1602616SZ	50	25
SM3041052TN	20	58	SM80606A2TP	28	16	WP1612616SE	48	22
SM4040555SP	2	44	SM8060812TP	6	29	WS0451040KP	52	51
SM4040601SC	2	39	SM9040800SP	28	18	WS0510002KN	48	14
SM4040655SP	4	60	SQ1110451MZ	36	3	WS0510002KN	50	20
SM4040655SP	26	54	SQ2050453MZ	36	2	WS0610002KP	36	11
SM4040855SP	4	70	SS3060410SP	24	18			
SM4042501SC	44	108	SS4080620TP	24	22			
SM4042555SP	56	16	SS4121015SP	4	72			
SM4050501SC	28	36	SS6080410SP	24	31			
SM4050601SC	50	22	SS6151412TP	36	20			
SM4050655SP	36	43	SS6152212SP	36	10			
SM4050801SC	52	56	SS7060310SP	24	11			
SM4051405SE	48	24	SS7060610SP	24	21			
SM4051455SP	56	19	SS8090530TP	52	55			
SM6030600SN	32	5	SS8660810TP	6	14			
SM6030650TP	18	14	SS8660810TP	22	15			
SM6030802TP	16	29	TA0620504R0	4	66			
SM6030802TP	18	26	TA0850604R0	2	45			
SM6030802TP	34	6	TA1250504R0	2	46			
SM6031002TN	28	6	WP0280501SC	24	45			
SM6031602TP	32	4	WP0371016SD	34	14			
SM6032002TN	42	92	WP0410846SC	28	19			
SM6040450TP	50	13	WP0430801SC	18	59			
SM6040600SP	50	12	WP0430801SC	20	59			
SM6040652TP	42	80	WP0431005SP	34	5			
SM6040802TP	2	42	WP0450801SC	2	40			
SM6040802TP	8	14	WP0450801SC	8	13			
SM6040802TP	18	47	WP0450801SC	26	49			