

MODEL : AMS-224EN4530R/AW3

List No : 1699-01

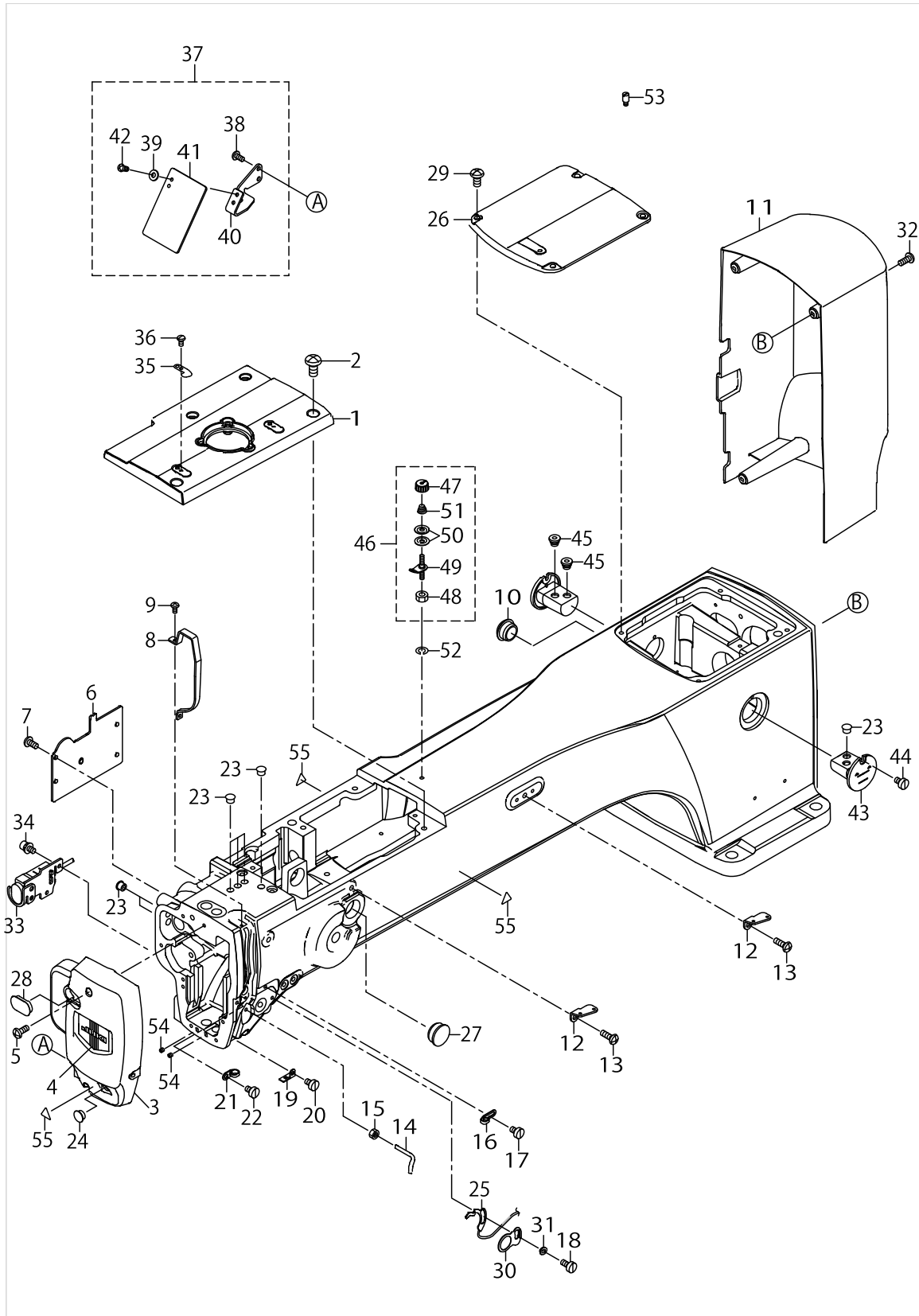
PARTS LIST

Published:09/10/2017

CONTENTS

FRAME & MISCELLANEOUS COVER COMPONENTS (1)	1
FRAME & MISCELLANEOUS COVER COMPONENTS (2)	5
FRAME & MISCELLANEOUS COVER COMPONENTS (3)(FOR 4530).....	7
FRAME & MISCELLANEOUS COVER COMPONENTS (4)(FOR 6030).....	11
MAIN SHAFT & NEEDLE BAR COMPONENTS	15
PRESSER MECHANISM & PRESSER VARIABLE COMPONENTS (1).....	19
PRESSER MECHANISM & PRESSER VARIABLE COMPONENTS (2).....	23
LOWER SHAFT COMPONENTS (1).....	27
LOWER SHAFT COMPONENTS (2).....	29
WIPER MECHANISM COMPONENTS	33
TENSION RELEASE & THREAD TENSION COMPONENTS.....	35
THREAD TRIMMER MECHANISM COMPONENTS.....	37
X-Y COMPONENTS (1)(FOR 4530).....	41
X-Y COMPONENTS (2)(FOR 6030).....	47
X-Y COMPONENTS (3)	53
CLOTH FEED MECHANISM COMPONENTS.....	55
PNEUMATIC COMPONENTS	59
THREAD STAND COMPONENTS.....	61
OPERATION PANEL COMPONENTS	63
CONTROL BOX COMPONENTS	65
WIRING DIAGRAM.....	69
TABLE COMPONENTS.....	73
PEDAL COMPONENTS.....	77
ACCESSORIE PARTS COMPONENTS.....	79
SEPARATE STROKE TYPE EXCLUSIVE PARTS	81
CONVEY UNIT COMPONENTS.....	83
UNWINDING UNIT COMPONENTS	87
UNTYING UNIT COMPONENTS.....	91
WINDING UNIT COMPONENTS.....	93
SUPPORT UNIT COMPONENTS.....	97
THREAD MEASURING UNIT COMPONENTS	99
HOUSING COMPONENTS.....	103
ELECTRICAL BOX COMPONENTS	107
WIRING DIAGRAM (AW-3).....	111
LIST FOR INFORMATION OF CHANGE.....	113
HOW TO MAKE USE OF THIS PARTS LIST	

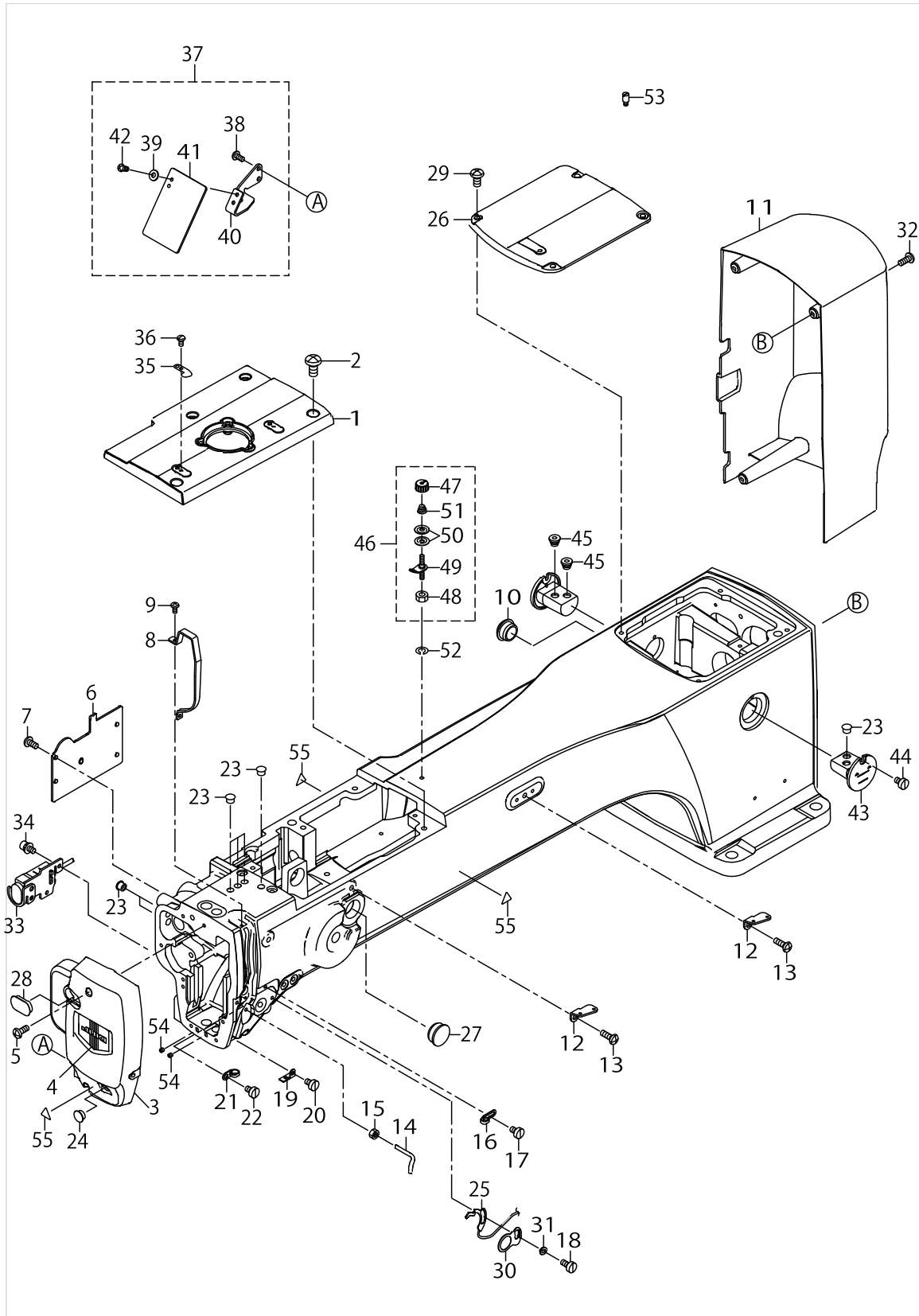
FRAME & MISCELLANEOUS COVER COMPONENTS (1)



FRAME & MISCELLANEOUS COVER COMPONENTS (1)

No.	Parts No.	Parts name	Remarks	Level	Cons	Qty
1	40032158	TOP_COVER_FRONT				1
2	SM4061255SP	SCREW M6 L=12				4
3	40026979	FACE_COVER				1
4	22902506	FACE PLATE				1
5	SM4041055SP	SCREW				2
6	40024999	PRESSER_COVER				1
7	SM4040855SP	SCREW				4
8	40030828	THREAD_TAKE_UP_LEVER_COVER				1
9	SM4030601SN	SCREW M3X6				2
10	TA2100904R0	RUBBER PLUG				1
11	40027971	MOTOR_COVER				1
12	26211904	THREAD GUIDE PLATE				2
13	SM4061255SP	SCREW M6 L=12				2
14	40025414	L_SHAPED_THREAD_GUIDE				1
15	NM6040000SN	NUT M4				1
16	22920508	ARM THREAD GUIDE A				1
17	SM6040650TP	SCREW				1
18	SM6040860TP	SCREW M4 L=8				1
19	B1129210000	FRAME THREAD GUIDE (B)				1
20	SM6040650TP	SCREW				1
21	13705108	TAKE-UP THREAD GUIDE B				1
22	SM6040650TP	SCREW				1
23	TA0850604R0	RUBBER PLUG				7
24	TA1050504R0	RUBBER PLUG				1
25	40073678	THB SENSOR CABLE ASM.				1
26	40032159	TOP_COVER_REAR				1
27	TA2351004R0	RUBBER PLUG				1
28	40028877	FACE_COVER_CAP				1
29	SM4051055SP	SCREW				4
30	40028834	GUIDE_PLATE				1
31	40028835	BUSHING				1
32	SM4041055SP	SCREW				4
33	40073676	STOP SW ASM				1
34	SL6040892TN	BOLT				2
35	10502300	THREAD CUTTER				1
36	SM4030601SN	SCREW M3X6				1
37	40006484	SAFETY PLATE COMPL.				1
38	SM4040855SP	SCREW		*		2
39	WP0450801SD	WASHER 4.5X10X0.8		*		2
40	40051987	SAFETY PLATE BASE		*		1
41	26037200	SAFETY PLATE		*		1
42	SM4040655SP	SCREW M4 L=6		*		2
43	40006836	OIL TANK ASM.				2
44	SM6040650TP	SCREW				2
45	40006840	RUBBER BUSH				2
46	14113468	BOBBIN THREAD TENSION ASM.				1
47	11072402	THREAD TENSION NUT		*		1

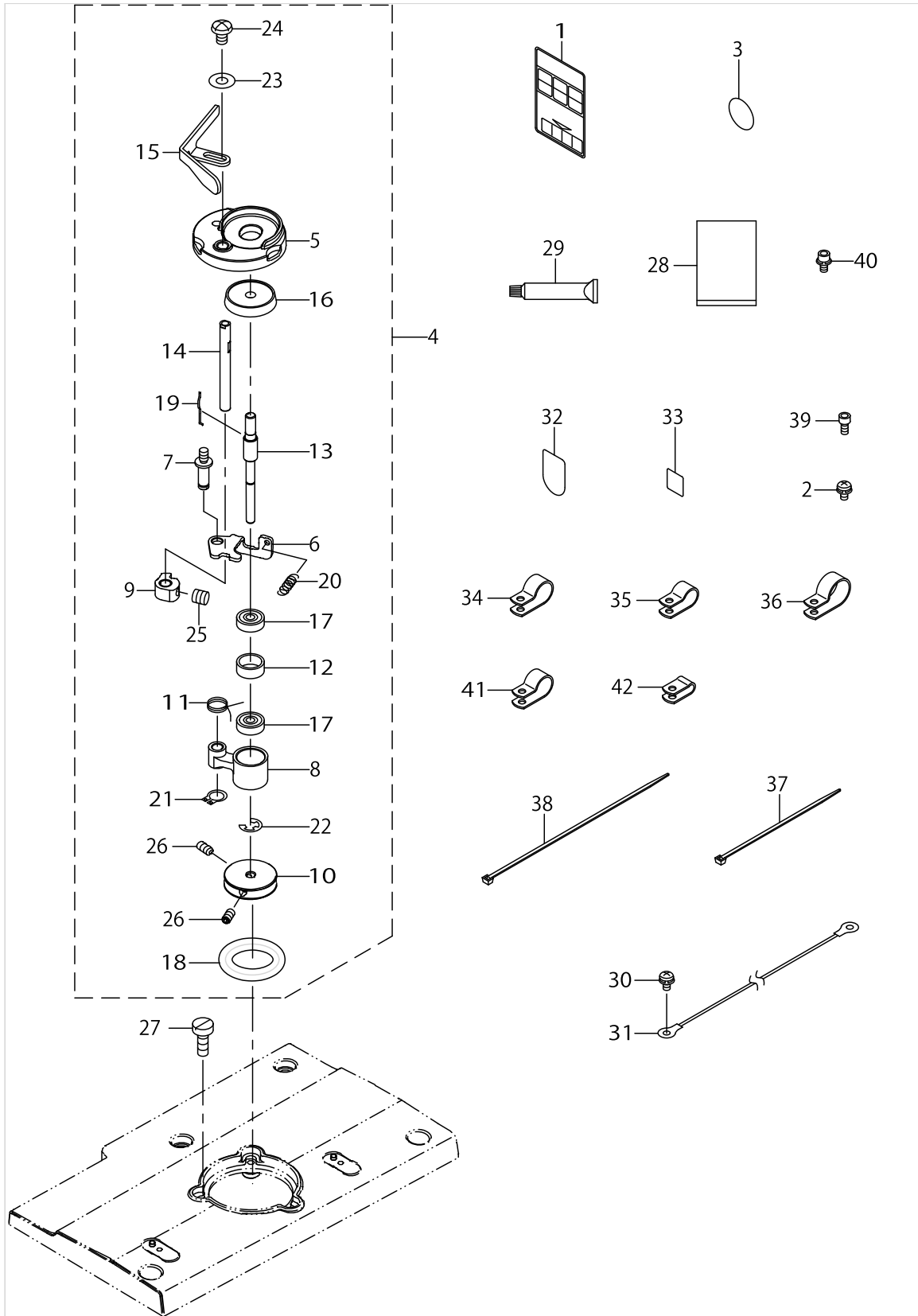
FRAME & MISCELLANEOUS COVER COMPONENTS (1)



FRAME & MISCELLANEOUS COVER COMPONENTS (1)

No.	Parts No.	Parts name	Remarks	Level	Cons	Qty
48	NS6110310SP	NUT 11/64-40		*		1
49	14113450	BOBBIN THREAD TENSION ROD ASM.		*		1
50	B3126012000	THREAD TENSION DISK		*		2
51	D7133555B00	CONNECTING ROD SPRING		*		1
52	WS0451040KP	SPRING WASHER 4.5X8.5X1				1
53	B1114280000	PIN				1
54	SM8040412TP	SET SCREW M4 L=4				2
55	CM300200001	ATTENTION SEAL				3

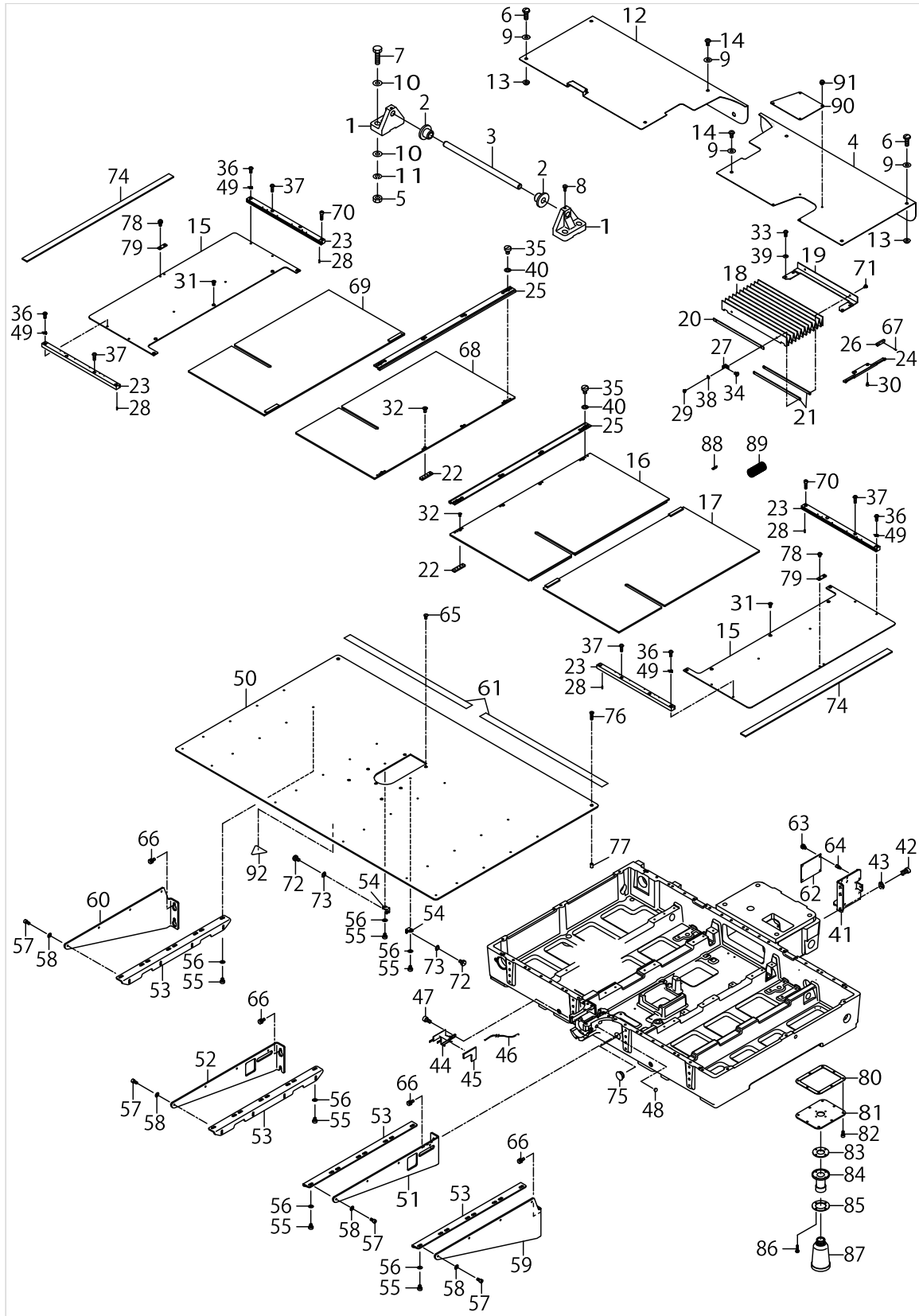
FRAME & MISCELLANEOUS COVER COMPONENTS (2)



FRAME & MISCELLANEOUS COVER COMPONENTS (2)

No.	Parts No.	Parts name	Remarks	Level	Cons	Qty
1	CM301200001	SAFETY LABEL_S				2
2	SL4040891SC	SCREW M4 L=8				12
3	22901805	GROUND MARK				1
4	40173311	BOBBIN_WINDER_UNIT_R				1
5	26260109	BTW_BASE		*		1
6	26260208	BTW_CAM_PLATE		*		1
7	26260307	BTW_BASE_SHAFT		*		1
8	26260406	BTW_SHAFT_BASE		*		1
9	26260505	BTW_CAM_LEVER		*		1
10	26260604	BTW_WHEEL		*		1
11	26260703	BTW_TORSION_SPRING		*		1
12	26260802	BTW_BEARING_SPACER		*		1
13	40173312	BTW_SHAFT_A		*		1
14	40023866	BTW_LEVER_SHAFT		*		1
15	40173314	BTW_LEVER		*		1
16	26261206	BTW_SPACER		*		1
17	26261305	BTW_BEARING		*		2
18	26261503	BTW_WHEEL_RUBBER		*	☆	1
19	26261602	BOBBIN_SPRING		*	☆	1
20	26261701	BTW_SPRING		*		1
21	RC0560711KP	RETAINING RING		*		1
22	RE0400000K0	E-RING 4		*		1
23	WP0450826SC	WASHER 4.5X10X0.8		*		1
24	SM5040655SN	SCREW		*		1
25	SM8050502TP	SCREW M5 L=5		*		1
26	SM8040802TP	SCREW M4X8		*		2
27	SM6041150TP	SCREW				3
28	40031336	FLAT_BAG				1
29	40013640	JUKI_GREASE_B_TUBE			☆	1
30	SL4040891SC	SCREW M4 L=8				1
31	14115554	HEAD GROUND CABLE A ASM.				1
32	CM100100001	OIL INJECTION PROHIBITION LABEL				1
33	CM600100101	WEEE MARK LABEL S	FOR JE			1
34	HX00150000F	CABLE CLIP				4
35	HX00150000D	CABLE CLIP				8
36	HX00150000H	CABLE CLIP				3
37	EA9500B0100	CABLE BAND				5
38	EA9500B0200	CABLE BAND 150				5
39	SM6040802TP	SCREW M4X0.7 L=8				5
40	SL6040892TN	BOLT				3
41	HX00150000E	CORD PRESSER 3-POLE (220/240V)				2
42	HX00150000A	CABLE CLAMP				1

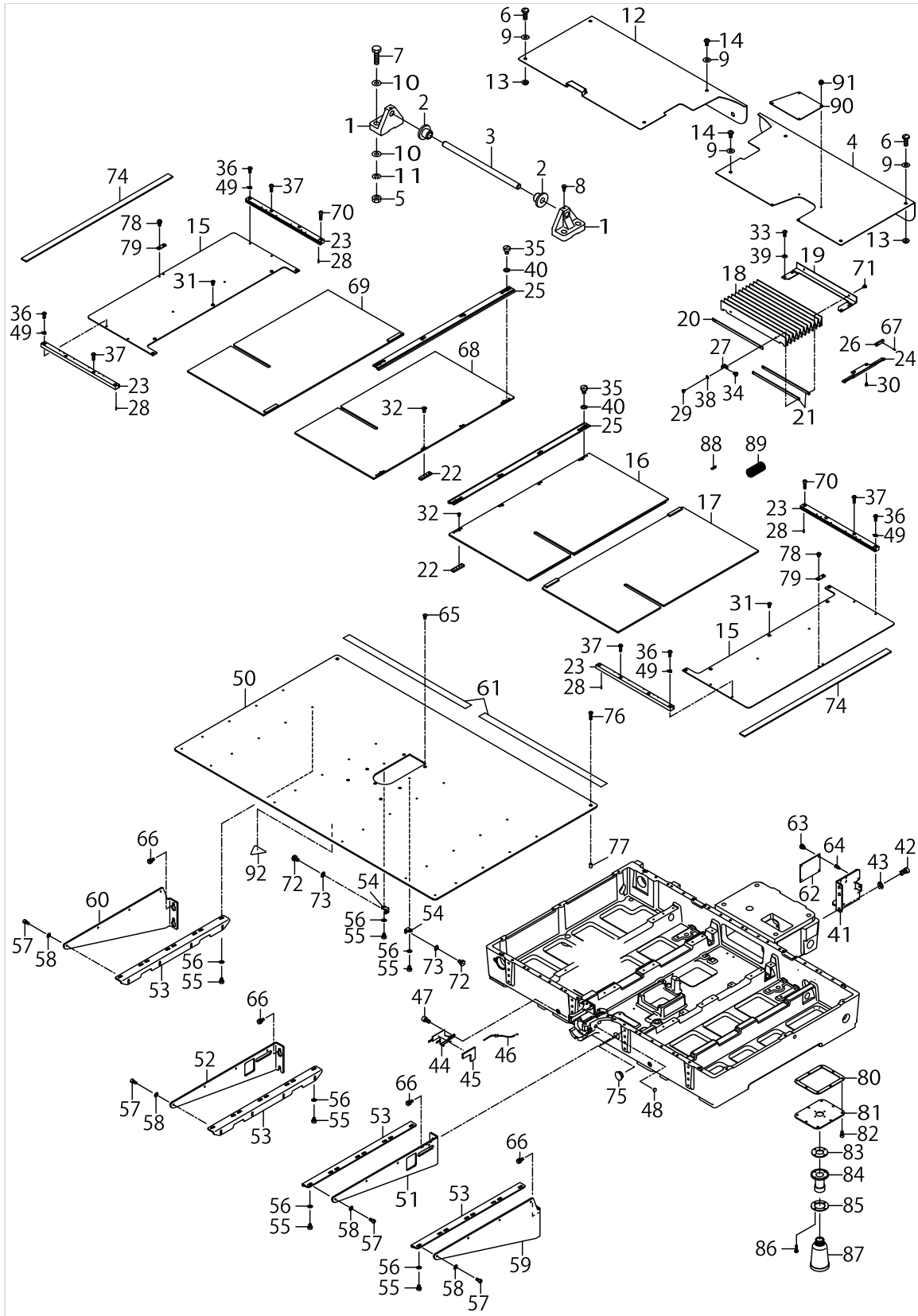
FRAME & MISCELLANEOUS COVER COMPONENTS (3)(FOR 4530)



FRAME & MISCELLANEOUS COVER COMPONENTS (3)(FOR 4530)

No.	Parts No.	Parts name	Remarks	Level	Cons	Qty
1	B111122000A	BED HINGE				2
2	B1115220000	RUBBER PAD A				2
3	B1120223C00	HING SHAFT				1
4	40090785	BED COVER RIGHT A				1
5	NM6120011SF	NUT M12				4
6	SM4055001SF	SCREW M5 L=50				4
7	SM9124503SB	SCREW M12 L=45				4
8	SS9151240SN	SCREW 15/64-28 L=11.5				2
9	WP0561616SC	WASHER 5.6X16X1.6				8
10	WP1302501SE	WASHER M12				8
11	WS1253010KN	SPRING WASHER 12.5X21.5X3				4
12	40072074	BED COVER LEFT				1
13	NM3050610SF	NUT				4
14	SM4051001SN	SCREW M5				4
15	40072076	FEED BASE COVER 4530				2
16	40072191	X_FEED_UPPER_COVER_R_ASM_4530				2
17	40072184	X_FEED_LOWER_COVER_R_ASM_4530				2
18	40072174	FEED COVER				1
19	40072081	FEED COVER STAY				1
20	40072079	FEED COVER FIX PLATE A				1
21	40072080	FEED COVER FIX PLATE B				2
22	40072195	FEED_COVER_RAIL_STOPPER_PLATE				8
23	40072143	FEED BASE SUPPORT COVER RAIL X				8
24	B1182223C00	RAIL GUIDE				2
25	40072078	FEED BASE SUPPORT COVER RAIL Y				2
26	B1193223C00	GUIDE RAIL CLICK				4
27	B1157215000	MOVEMENT COVER PLATE				2
28	PS0150065KP	SPRING PIN 1.5X6				8
29	SM4030401SC	SCREW M3X0.5 L=4				2
30	SM1040870TP	SCREW				4
31	SM1040801SP	SCREW M4X0.7 L=8				10
32	SM1030601SP	SCREW M3 L=6				8
33	SM4041055SP	SCREW				4
34	SM4040655SP	SCREW M4 L=6				2
35	SM6040650TP	SCREW				8
36	SM4041001SC	SCREW M4X0.7 L=10				10
37	SM4041401SC	SCREW M4X0.7 L=14				20
38	WP0330501SB	WASHER M3				2
39	WP0450801SD	WASHER 4.5X10X0.8				4
40	WP0450000SD	WASHER 4.5X8X0.5				8
41	40024997	LIFTER_BASE				1
42	SM6061202TP	SCREW M6 L=12				2
43	WP0641601SC	WASHER				2
44	40182674	OIL_GUARD				1
45	40182675	FELT				1
46	CQ200000000	OIL WICK				0.16
47	SM6040802TP	SCREW M4X0.7 L=8				2

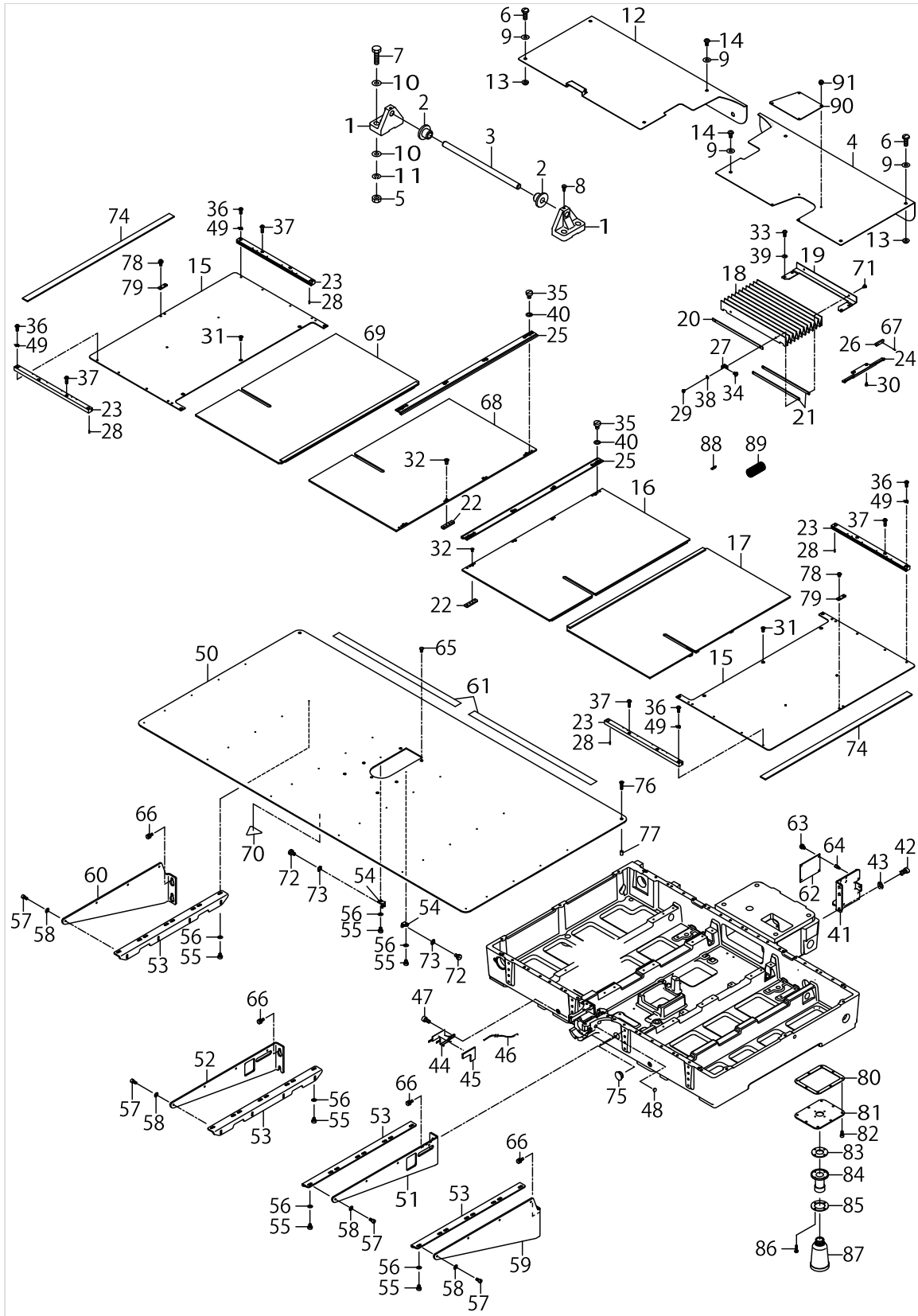
FRAME & MISCELLANEOUS COVER COMPONENTS (3)(FOR 4530)



FRAME & MISCELLANEOUS COVER COMPONENTS (3)(FOR 4530)

No.	Parts No.	Parts name	Remarks	Level	Cons	Qty
48	TA0750404R0	PLUG D=7.5 L=3.5				1
49	WP0450846SP	WASHER				8
50	40101763	SUS_NEEDLE_SUPPORT_PLATE_4530				1
51	40072176	COVER_SUPPORT_A_RIGHT				1
52	40182665	COVER_SUPPORT_C_LEFT				1
53	40072179	COVER_SUPPORT_BRACKET				4
54	40025014	COVER_SUPPORT_B				2
55	SM6450610TP	SCREW				22
56	WP0450801SP	WASHER				22
57	SM6040802TP	SCREW M4X0.7 L=8				16
58	WP0450801SP	WASHER				16
59	40072178	COVER_SUPPORT_B_RIGHT				1
60	40072177	COVER_SUPPORT_B_LEFT				1
61	40051501	TAPE				2
62	40040230	INT PCB ASM				1
63	SL4040891SC	SCREW M4 L=8				4
64	HX003390000	STUD				4
65	SM1040870TP	SCREW				2
66	SL9061600SF	SCREW				8
67	PS0150065KP	SPRING PIN 1.5X6				8
68	40072193	X_FEED_UPPER_COVER_L_ASM_4530				1
69	40072186	X_FEED_LOWER_COVER_L_ASM_4530				1
70	SM6041402TN	SCREW M4X0.7 L=14				2
71	SM7030450SC	SCREW M3X0.5 L=4				2
72	SM6050802TP	SCREW M5X0.8 L=8				2
73	WP0520656SA	WASHER 5.2X9.5X0.6				2
74	G611387500A	CLOTH PRESSER SPONGE A				1
75	TA2100904R0	RUBBER PLUG				1
76	SM1041601SC	SCREW M4X0.7 L=16				2
77	12209706	COLLAR				2
78	SL4041091SC	SCREW M4 L=10				4
79	40072214	FEED COVER STOPPER				2
80	40072213	OIL_PAN_GASKET				1
81	40072212	OIL_PAN				1
82	SM6040802TP	SCREW M4X0.7 L=8				8
83	B8112220000	OIL SEAL				1
84	B8202205000	OIL MANAGEMENT				1
85	B8111220000	WASHER				1
86	SL4031481SC	SCREW M3X14				4
87	B9121012000	OIL CAN				1
88	40082017	X_FEED_LOWER_COVER_STOPPER_G				4
89	HX00307000D	CABLE PARTS				0.05
90	40090432	BED COVER RIGHT B				1
91	SL4040691SC	SCREW M4 L=6				4
92	40058949	BINDER_CAUTION_LABEL_M				1

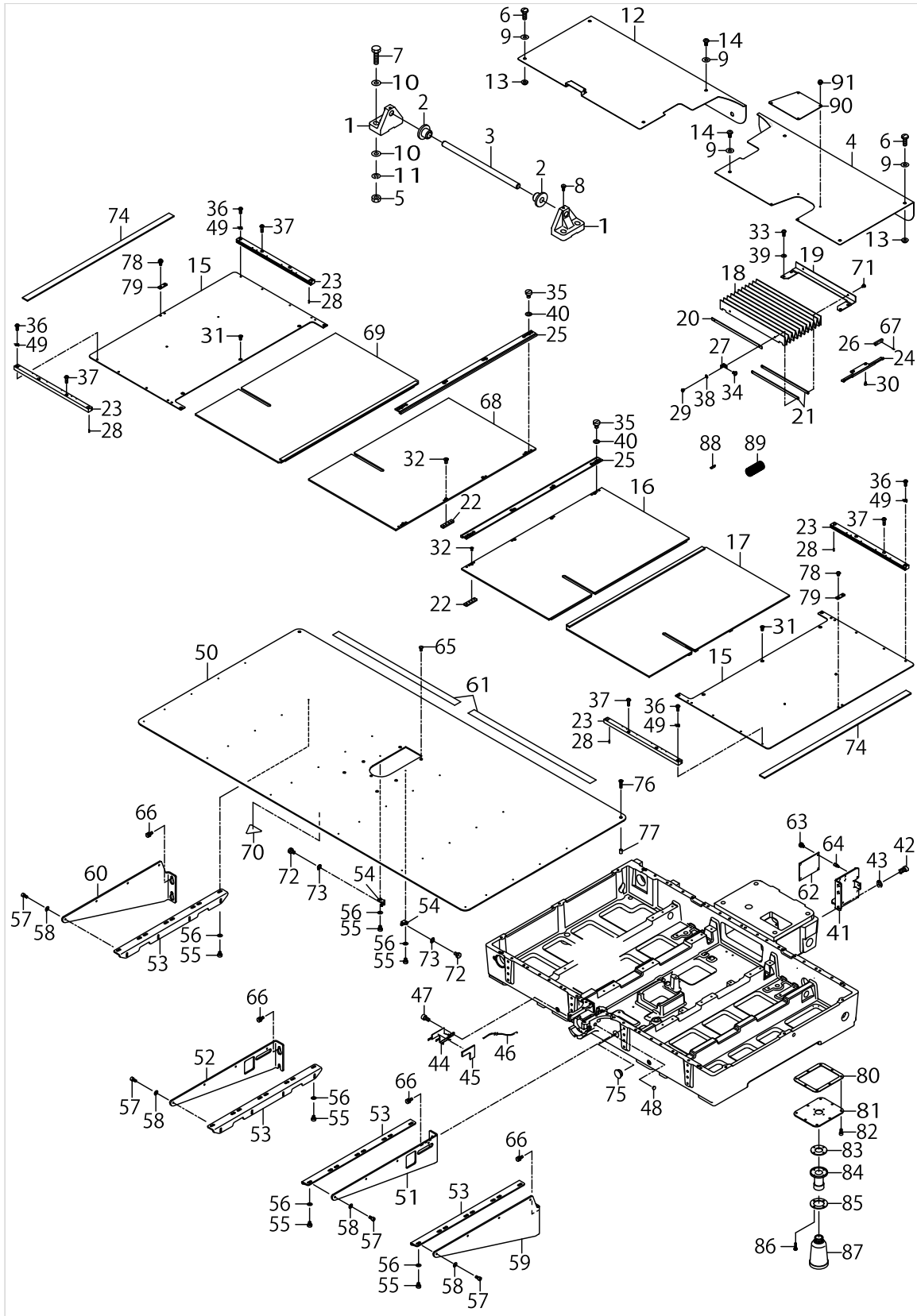
FRAME & MISCELLANEOUS COVER COMPONENTS (4)(FOR 6030)



FRAME & MISCELLANEOUS COVER COMPONENTS (4)(FOR 6030)

No.	Parts No.	Parts name	Remarks	Level	Cons	Qty
1	B111122000A	BED HINGE				2
2	B1115220000	RUBBER PAD A				2
3	B1120223C00	HING SHAFT				1
4	40090785	BED COVER RIGHT A				1
5	NM6120011SF	NUT M12				4
6	SM4055001SF	SCREW M5 L=50				4
7	SM9124503SB	SCREW M12 L=45				4
8	SS9151240SN	SCREW 15/64-28 L=11.5				2
9	WP0561616SC	WASHER 5.6X16X1.6				8
10	WP1302501SE	WASHER M12				8
11	WS1253010KN	SPRING WASHER 12.5X21.5X3				4
12	40072074	BED COVER LEFT				1
13	NM3050610SF	NUT				4
14	SM4051001SN	SCREW M5				4
15	40072075	FEED BASE COVER 6030				2
16	40072187	X_FEED_UPPER_COVER_R_ASM_6030				2
17	40072180	X_FEED_LOWER_COVER_R_ASM_6030				2
18	40072174	FEED COVER				1
19	40072081	FEED COVER STAY				1
20	40072079	FEED COVER FIX PLATE A				1
21	40072080	FEED COVER FIX PLATE B				2
22	40072195	FEED_COVER_RAIL_STOPPER_PLATE				8
23	40072143	FEED BASE SUPPORT COVER RAIL X				10
24	B1182223C00	RAIL GUIDE				2
25	40072078	FEED BASE SUPPORT COVER RAIL Y				2
26	B1193223C00	GUIDE RAIL CLICK				4
27	B1157215000	MOVEMENT COVER PLATE				2
28	PS0150065KP	SPRING PIN 1.5X6				8
29	SM4030401SC	SCREW M3X0.5 L=4				2
30	SM1040870TP	SCREW				4
31	SM1040801SP	SCREW M4X0.7 L=8				10
32	SM1030601SP	SCREW M3 L=6				8
33	SM4041055SP	SCREW				4
34	SM4040655SP	SCREW M4 L=6				2
35	SM6040650TP	SCREW				8
36	SM4041001SC	SCREW M4X0.7 L=10				20
37	SM4041401SC	SCREW M4X0.7 L=14				20
38	WP0330501SB	WASHER M3				2
39	WP0450801SD	WASHER 4.5X10X0.8				4
40	WP0450000SD	WASHER 4.5X8X0.5				8
41	40024997	LIFTER_BASE				1
42	SM6061202TP	SCREW M6 L=12				2
43	WP0641601SC	WASHER				2
44	40182674	OIL_GUARD				1
45	40182675	FELT				1
46	CQ200000000	OIL WICK				0.16
47	SM6040802TP	SCREW M4X0.7 L=8				2

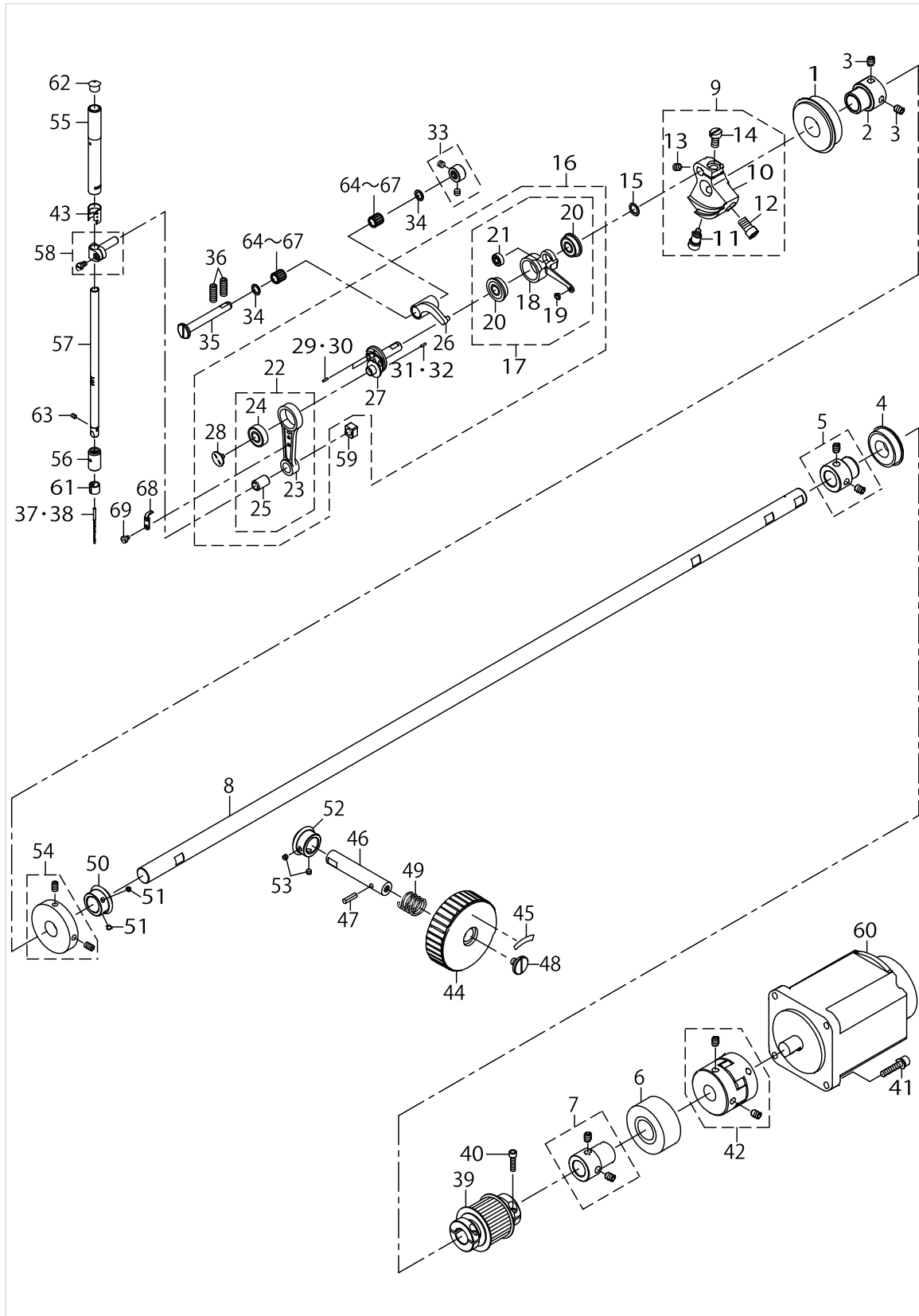
FRAME & MISCELLANEOUS COVER COMPONENTS (4)(FOR 6030)



FRAME & MISCELLANEOUS COVER COMPONENTS (4)(FOR 6030)

No.	Parts No.	Parts name	Remarks	Level	Cons	Qty
48	TA0750404R0	PLUG D=7.5 L=3.5				1
49	WP0450846SP	WASHER				12
50	40101764	SUS_NEEDLE_SUPPORT_PLATE_6030				1
51	40072176	COVER_SUPPORT_A_RIGHT				1
52	40182665	COVER_SUPPORT_C_LEFT				1
53	40072179	COVER_SUPPORT_BRACKET				4
54	40025014	COVER_SUPPORT_B				2
55	SM6450610TP	SCREW				22
56	WP0450801SP	WASHER				22
57	SM6040802TP	SCREW M4X0.7 L=8				16
58	WP0450801SP	WASHER				16
59	40072178	COVER_SUPPORT_B_RIGHT				1
60	40072177	COVER_SUPPORT_B_LEFT				1
61	40051501	TAPE				2
62	40040230	INT PCB ASM				1
63	SL4040891SC	SCREW M4 L=8				4
64	HX003390000	STUD				4
65	SM1040870TP	SCREW				2
66	SL9061600SF	SCREW				8
67	PS0150065KP	SPRING PIN 1.5X6				8
68	40072189	X_FEED_UPPER_COVER_L_ASM_6030				1
69	40072183	X_FEED_LOWER_COVER_L_ASM_6030				1
70	40058949	BINDER_CAUTION_LABEL_M				1
71	SM7030450SC	SCREW M3X0.5 L=4				2
72	SM6050802TP	SCREW M5X0.8 L=8				2
73	WP0520656SA	WASHER 5.2X9.5X0.6				2
74	G611387500A	CLOTH PRESSER SPONGE A				1
75	TA2100904R0	RUBBER PLUG				1
76	SM1041601SC	SCREW M4X0.7 L=16				2
77	12209706	COLLAR				2
78	SL4041091SC	SCREW M4 L=10				4
79	40072214	FEED COVER STOPPER				2
80	40072213	OIL_PAN_GASKET				1
81	40072212	OIL_PAN				1
82	SM6040802TP	SCREW M4X0.7 L=8				8
83	B8112220000	OIL SEAL				1
84	B8202205000	OIL MANAGEMENT				1
85	B8111220000	WASHER				1
86	SL4031481SC	SCREW M3X14				4
87	B9121012000	OIL CAN				1
88	40082017	X_FEED_LOWER_COVER_STOPPER_G				4
89	HX00307000D	CABLE PARTS				0.05
90	40090432	BED COVER RIGHT B				1
91	SL4040691SC	SCREW M4 L=6				4

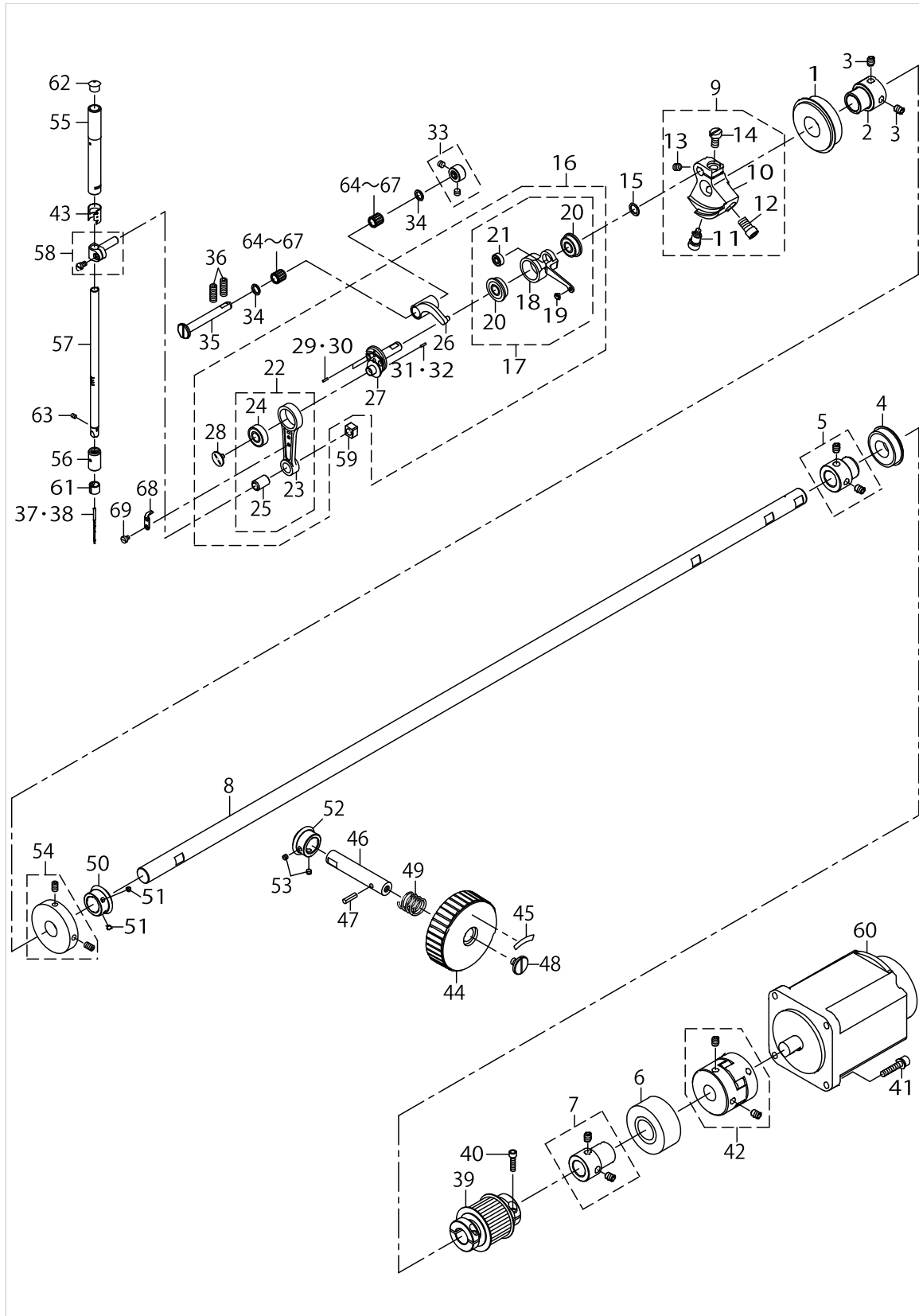
MAIN SHAFT & NEEDLE BAR COMPONENTS



MAIN SHAFT & NEEDLE BAR COMPONENTS

No.	Parts No.	Parts name	Remarks	Level	Cons	Qty
1	SB12000900	BEARING				1
2	23604200	MAIN SHAFT BEARING SUPPORT				1
3	SM8060812TP	SCREW M6 L=8				2
4	SB120001800	BEARING				1
5	40010415	BEARING_BUSH_A_ASM.				1
6	SB120001700	BEARING				1
7	40010418	BEARING_BUSH_B_ASM.				1
8	40072086	MAIN SHAFT				1
9	40010422	COUNTER_WEIGHT_ASM.				1
10	40010423	COUNTER_WEIGHT		*		1
11	40010424	COUNTER_WEIGHT_SCREW_A		*		1
12	40010425	COUNTER_WEIGHT_SCREW_B		*		1
13	40010426	COUNTER_WEIGHT_SCREW_C		*		1
14	40010427	COUNTER_WEIGHT_SCREW_D		*		1
15	WP0820516SP	WASHER 11.6X8.2X0.6				1
16	40173315	THREAD_TAKE_UP_COMPL_R				1
17	40173316	THREAD_TAKE_UP_LEVER_ASM_R		*		1
18	40173317	THREAD_TAKE_UP_LEVER		*		1
19	B1908505000	THREAD PASS BUSH		*		1
20	SB108002200	BEARING		*		2
21	SB104001600	BEARING		*		1
22	40078106	NEEDLE_BAR_CRANK_ROD_ALL_ASM		*		1
23	40078088	NEEDLE_BAR_CRANK_ROD		*		1
24	SB108002300	BEARING		*		1
25	22891006	NEEDLE BAR CRANK ROD BUSH		*		1
26	40173318	THREAD_TAKE_UP_CRANK		*		1
27	40078083	NEEDLE_ROD_CRANK		*		1
28	B1903552000	LEFT SCREW		*		1
29	40078135	PIN	SELECTIVE PARTS	*		1
30	40096186	PIN	SELECTIVE PARTS	*		1
31	B1705850000	STOPPER PIN	SELECTIVE PARTS	*		1
32	40096209	PIN	SELECTIVE PARTS	*		1
33	40010434	THRUST_COLLAR_ASM.				1
34	22891204	BEARING SUPPORT				2
35	40078079	THREAD_TAKE_UP_CRANK_SHAFT				1
36	SM8061612TP	SCREW M6X16				2
37	MDP170B2300	NEEDLE DPX17 #23	TYPE H(FOR ST)		☆	1
38	MC372001600	NEEDLE SY3355 160	TYPE H(FOR JE)		☆	1
39	40072233	SPROCKET_ASM				1
40	SM6041602TP	SCREW M4X0.7 L=16				4
41	SL6052592TN	BOLT				4
42	40051473	COUPLING ASM.				1
43	40078160	NEEDLE_ROD_METAL_GREASE_COVER				1
44	B1212210D00	PULLEY				1
45	B1144210000	REVOLVING DIRECTION LABEL				1
46	40044053	PULLEY SHAFT				1
47	PS0400142KH	SPRING PIN 4X14				1

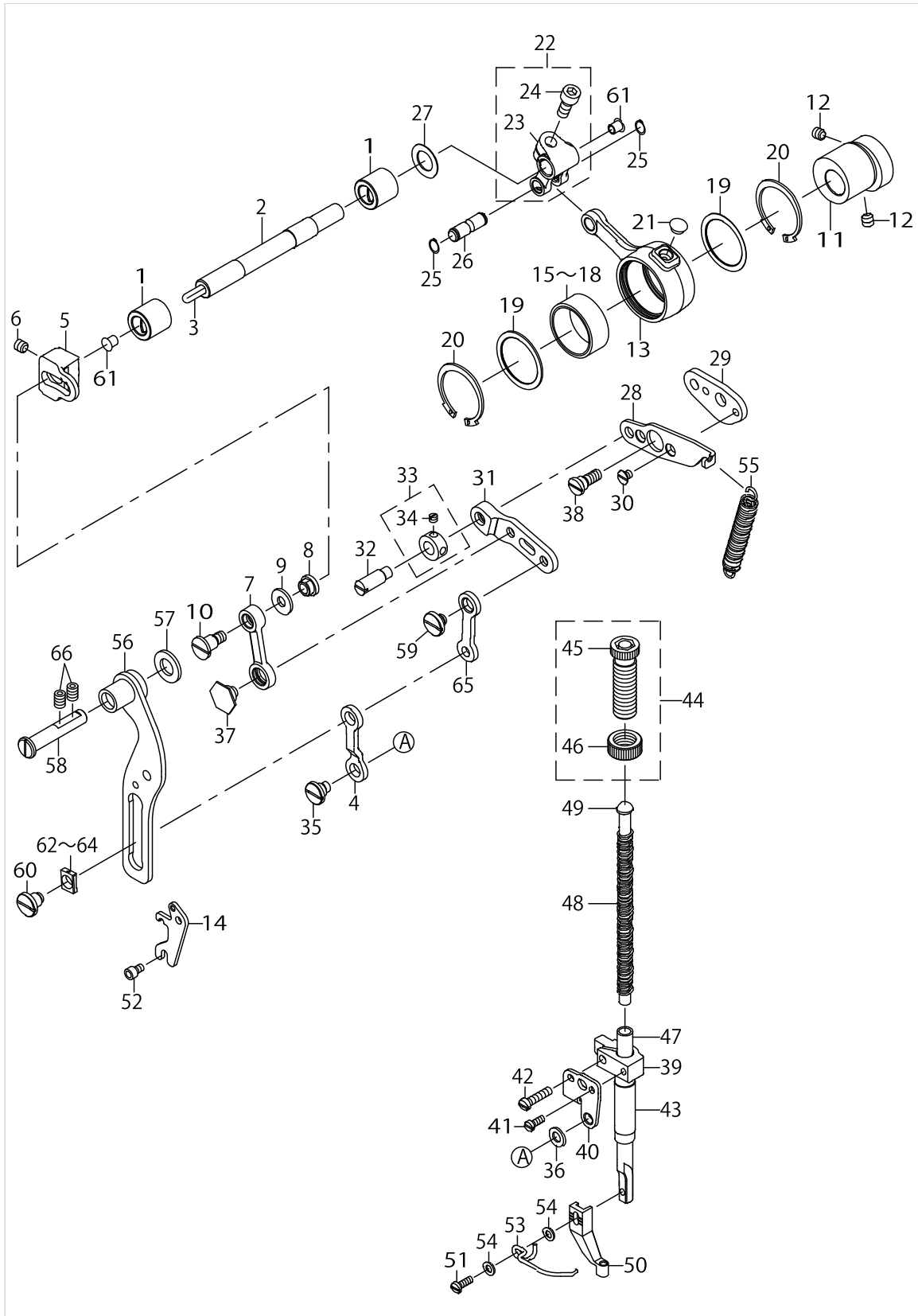
MAIN SHAFT & NEEDLE BAR COMPONENTS



MAIN SHAFT & NEEDLE BAR COMPONENTS

No.	Parts No.	Parts name	Remarks	Level	Cons	Qty
48	A123050000A	HANDWHEEL SETSCREW				1
49	GAF01007000	SPRING				1
50	40006515	GEAR_A				1
51	SM8040310SS	SCREW M4 L=3				2
52	40006516	GEAR_B				1
53	SM8040310SS	SCREW M4 L=3				2
54	40010533	BTW_DRIVING_WHEEL_ASM.				1
55	40077604	NEEDLE_ROD_METAL				1
56	40077605	NEEDLE_ROD_LOWER_METAL				1
57	40026882	NEEDLE_BAR				1
58	B14115520A0	NEEDLE BAR CONNECTING ASM.				1
59	B1414555000	SLIDE BLOCK				1
60	40052937	550W_SERVO_MOTOR				1
61	40173345	NEEDLE BAR THREAD GUIDE				1
62	22901409	NEEDLE BAR UPPER BUSH CAP				1
63	SM8030412TP	SCREW				1
64	SB30700020A	BEARING	SELECTIVE PARTS			2
65	SB30700020B	BEARING	SELECTIVE PARTS			2
66	SB30700020C	BEARING	SELECTIVE PARTS			2
67	SB30700020D	BEARING	SELECTIVE PARTS			2
68	40078107	KNIFE				1
69	SM6030450TP	SCREW M3 L=4				1

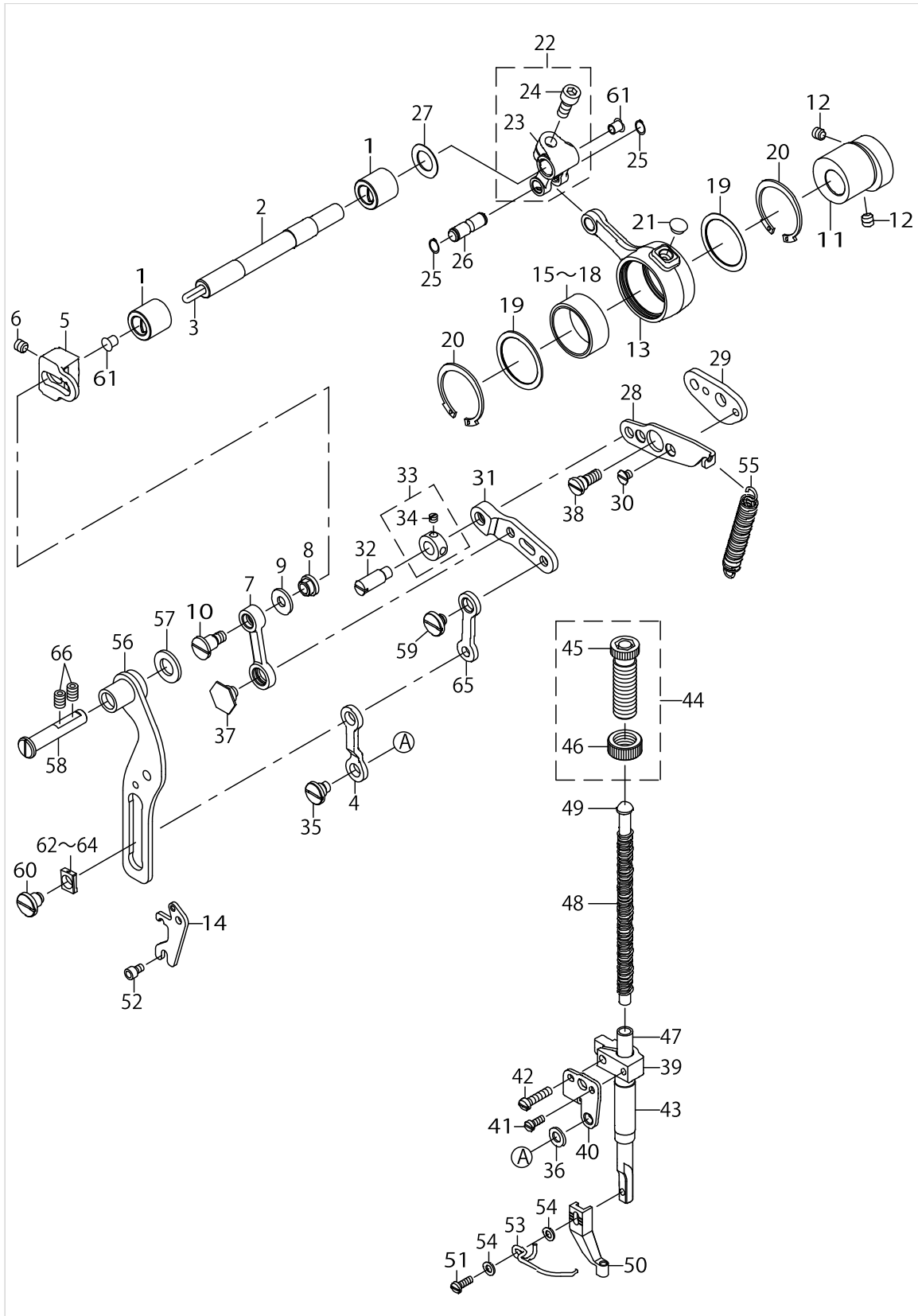
PRESSER MECHANISM & PRESSER VARIABLE COMPONENTS (1)



PRESSER MECHANISM & PRESSER VARIABLE COMPONENTS (1)

No.	Parts No.	Parts name	Remarks	Level	Cons	Qty
1	40025431	BUSHING				2
2	40025427	INTERMEDIATE_PRESSER_SHAFT				1
3	CQ303000000	OIL WICK				0.1
4	40030617	INTERMEDIATE_PRESSER_LINK_D				1
5	40025012	ADJUSTING_ARM				1
6	SM8060812TP	SCREW M6 L=8				1
7	40068835	INTERMEDIATE_PRESSURE_LINK				1
8	40025415	ADJUSTING_NUT				1
9	WP0611626SP	WASHER 15X6X1.6				1
10	SD0800746TP	SHOULDER SCREW				1
11	40025428	ECCENTRIC_CAM				1
12	SM8060812TP	SCREW M6 L=8				2
13	40025011	CRANK_CONNECTING_ROD				1
14	40068833	POSITIONING_LINK_SPRING_HOOK				1
15	B1636581A00	NEEDLE BEARING	SELECTIVE PARTS			1
16	B1636581B00	NEEDLE BEARING B	SELECTIVE PARTS			1
17	B1636581C00	NEEDLE BEARING	SELECTIVE PARTS			1
18	B1636581D00	NEEDLE BEARING	SELECTIVE PARTS			1
19	40012965	BEARING_SUPPORT_PLATE				2
20	RC3781518KP	RETAINING RING				2
21	TA0750404R0	PLUG D=7.5 L=3.5				1
22	13122452	FEED BRANCH CRANK ASM.				1
23	13122403	FEED BRANCH CRANK		*		1
24	SM6061402TP	SCREW M6 L=14		*		1
25	RC0650811KP	RETAINING RING				2
26	40025429	ROD_CONNECTING_SHAFT				1
27	WP1221016SP	WASHER				1
28	40068834	POSITIONING_LINK				1
29	40024988	POSITIONING_LINK_B				1
30	SS1110640TP	SCREW 11/64-40 L=5.5				2
31	40030620	INTERMEDIATE_PRESSER_LINK_B				1
32	B1408180000	HINGE SCREW				1
33	CS079073ASH	THRUST COLLAR ASM.				1
34	SS8110410TP	SCREW 11/64-40 L=3.5		*		2
35	SD0800386TP	SHOULDER SCREW D=8 H=3.75				1
36	40029419	LINK_CONNECTING_PLATE_WASHER				1
37	SD1000506TP	SHOULDER SCREW D=10 H=4.95				1
38	SD0800408TP	SHOULDER SCREW				1
39	23610108	PRESSER BAR GUIDE BRACKET				1
40	40024991	LINK_CONNECTING_PLATE				1
41	SS6090910SP	SCREW 9/64-40 L=9				1
42	SS7111810TP	SCREW 11/64-40 L=18				1
43	40078133	PRESSER_BUSHING				1
44	22907554	PRESSER SPRING REG NUT ASM.				1
45	22907505	PRESSER SPRING REGULATOR		*		1
46	22907604	PRESSER SPRING REGULATOR NUT		*		1
47	40030623	INTERMEDIATE_PRESSER_BAR				1

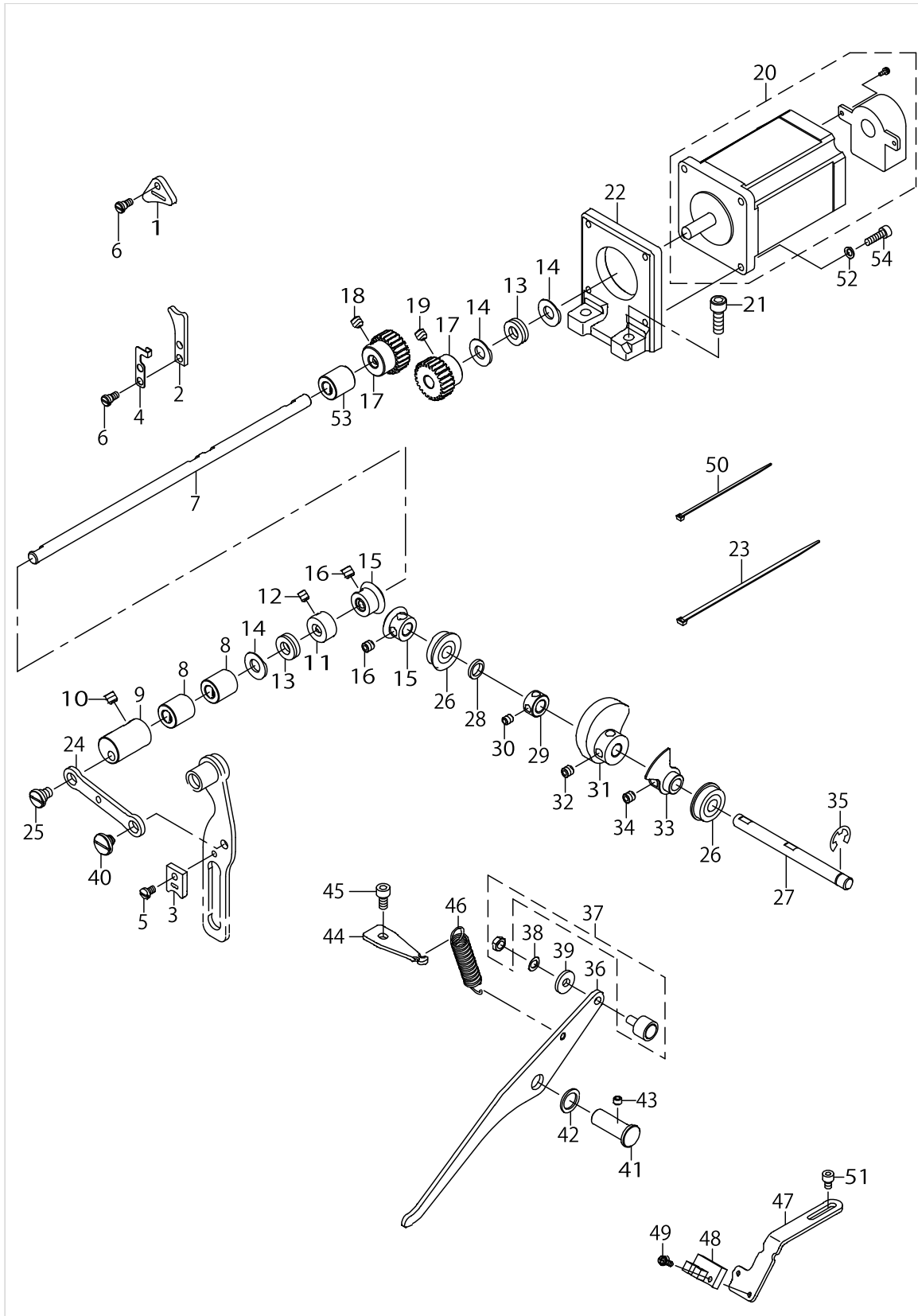
PRESSER MECHANISM & PRESSER VARIABLE COMPONENTS (1)



PRESSER MECHANISM & PRESSER VARIABLE COMPONENTS (1)

No.	Parts No.	Parts name	Remarks	Level	Cons	Qty
48	B161121000A	INNER PRESSER SPRING				1
49	40023631	PRESSER GUIDE BAR				1
50	B1601210D0CA	INTERMEDIATE PRESSER C			☆	1
51	SM7751160TP	SCREW				1
52	SM6040602TP	SCREW M4 L=6				2
53	B1634210D00	FINGER GUARD				1
54	WP0430800SC	WASHER M4				2
55	40030621	INTERMEDIATE_PRESSER_SPRING B				1
56	40077925	PRESSURE_VARIABLE_PLATE_ASM.				1
57	40078113	COLLAR				1
58	40023624	THREAD_TRIMMER_SHAFT				1
59	SD0800336TP	SHOULDER SCREW				1
60	SD0800656TP	SHOULDER SCREW				1
61	TA0550604R0	RUBBER PLUG				2
62	40030628	SLIDE_BLOCK_A	SELECTIVE PARTS			1
63	40030629	SLIDE_BLOCK_B	SELECTIVE PARTS			1
64	40030630	SLIDE_BLOCK_C	SELECTIVE PARTS			1
65	40030616	INTERMEDIATE_PRESSER_LINK_C				1
66	SM8060812TP	SCREW M6 L=8				2

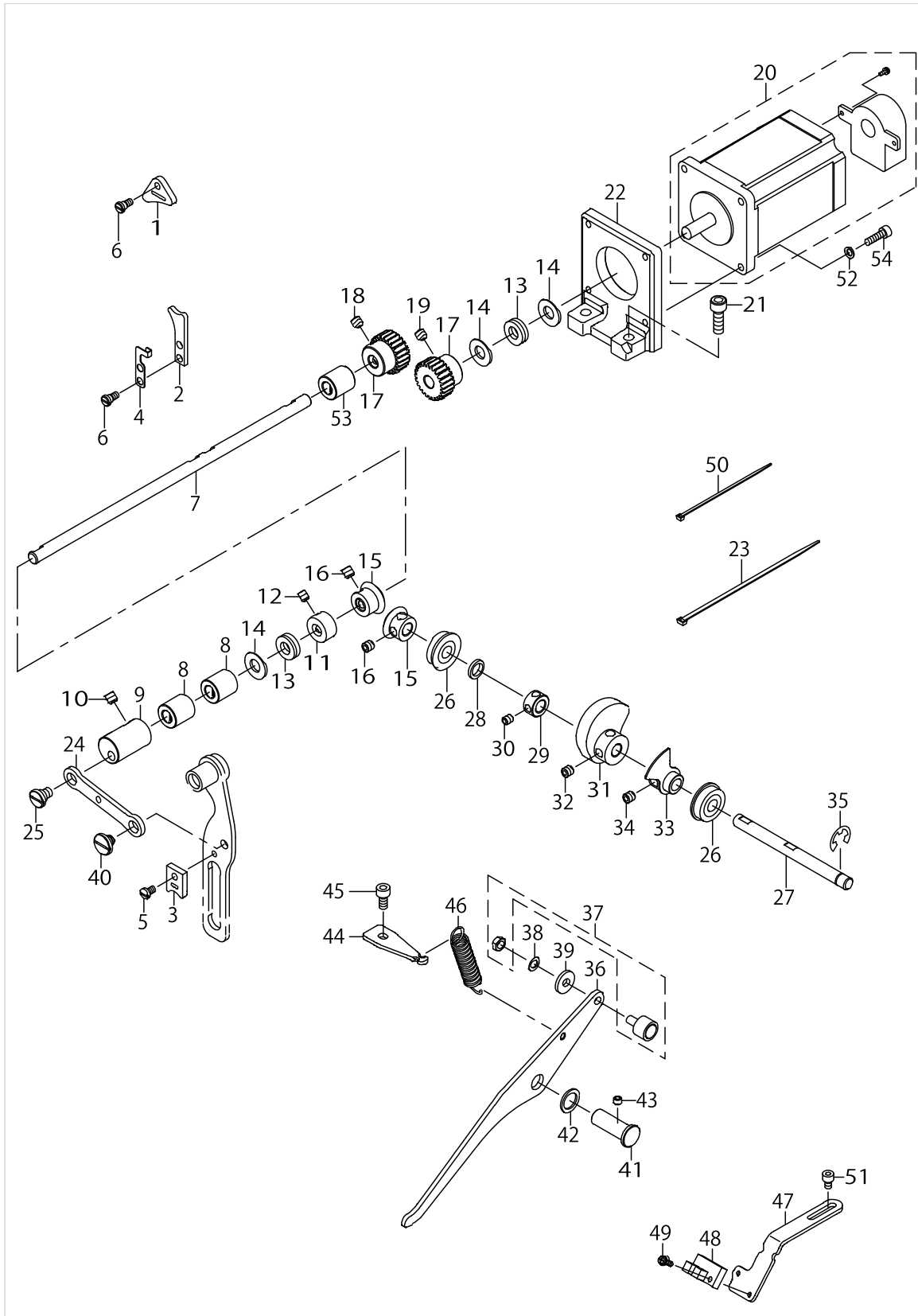
PRESSER MECHANISM & PRESSER VARIABLE COMPONENTS (2)



PRESSER MECHANISM & PRESSER VARIABLE COMPONENTS (2)

No.	Parts No.	Parts name	Remarks	Level	Cons	Qty
1	40030625	FACE_FELT_A				1
2	40030626	FACE_FELT_B				1
3	40030627	FACE_FELT_C				1
4	40026817	FACE_FELT_B_SUPPORT				1
5	40029420	FELT_SCREW_C				1
6	40032483	FELT_SCREW_AB				3
7	40032179	PRESSER_VARIABLE_SHAFT				1
8	40025423	BUSHING B				2
9	40026819	PRESSER_VARIABLE_ARM				1
10	SM8480652TP	SCREW				2
11	CS0800881TP	THRUST COLLAR				1
12	SM8050412TP	SCREW M5 L=4				2
13	SB408000100	BEARING				2
14	WP0850002SP	WASHER 8.5X18X1.6				3
15	40030615	PRESSER_LIFT_GEAR				2
16	SM8060812TP	SCREW M6 L=8				4
17	40032180	PRESSER_MOTOR_GEAR_A				2
18	SM8060812TP	SCREW M6 L=8				2
19	SM8060602TP	SCREW M6X6				2
20	40103969	ENCODER MOTOR ASM.(IP)				1
21	SM6061802TP	SCREW M6 L=18				2
22	40032181	PRESSER_MOTOR_BRACKET				1
23	EA9500B0200	CABLE BAND 150				2
24	40024989	PRESSER_VARIABLE_LINK				1
25	SD0800337TP	SHOULDER SCREW				1
26	SB108000500	RADIAL BEARING				2
27	40025426	PRESSER_LIFT_SHAFT				1
28	WZ0850302K0	WAVED WASHER 8.5X12.5X0.3				1
29	CS0800881TP	THRUST COLLAR				1
30	SM8050412TP	SCREW M5 L=4				2
31	40025016	LIFTING_CAM				1
32	SM8060812TP	SCREW M6 L=8				2
33	40025418	SENSOR_SLIT_ASM				1
34	SM8060812TP	SCREW M6 L=8				2
35	RE0700000K0	E-RING 7				1
36	40025030	LIFTING_LINK				1
37	40027870	CAM FOLLOWER				1
38	WP0520656SA	WASHER 5.2X9.5X0.6				1
39	WP0522016SH	WASHER				1
40	SD0800387TP	SHOULDER SCREW D=8 H=3.75				1
41	B1641562000	FEED REGULATING ARM SHAFT				1
42	26226001	WASHER				1
43	SM8050412TP	SCREW M5 L=4				1
44	40025420	LIFTER_LINK_SPRING_HOOK				1
45	SM6050802TP	SCREW M5X0.8 L=8				1
46	40003970	TENSION RELEASE RETURN				1
47	40025419	SENSOR_INSTALLING_BASE				1

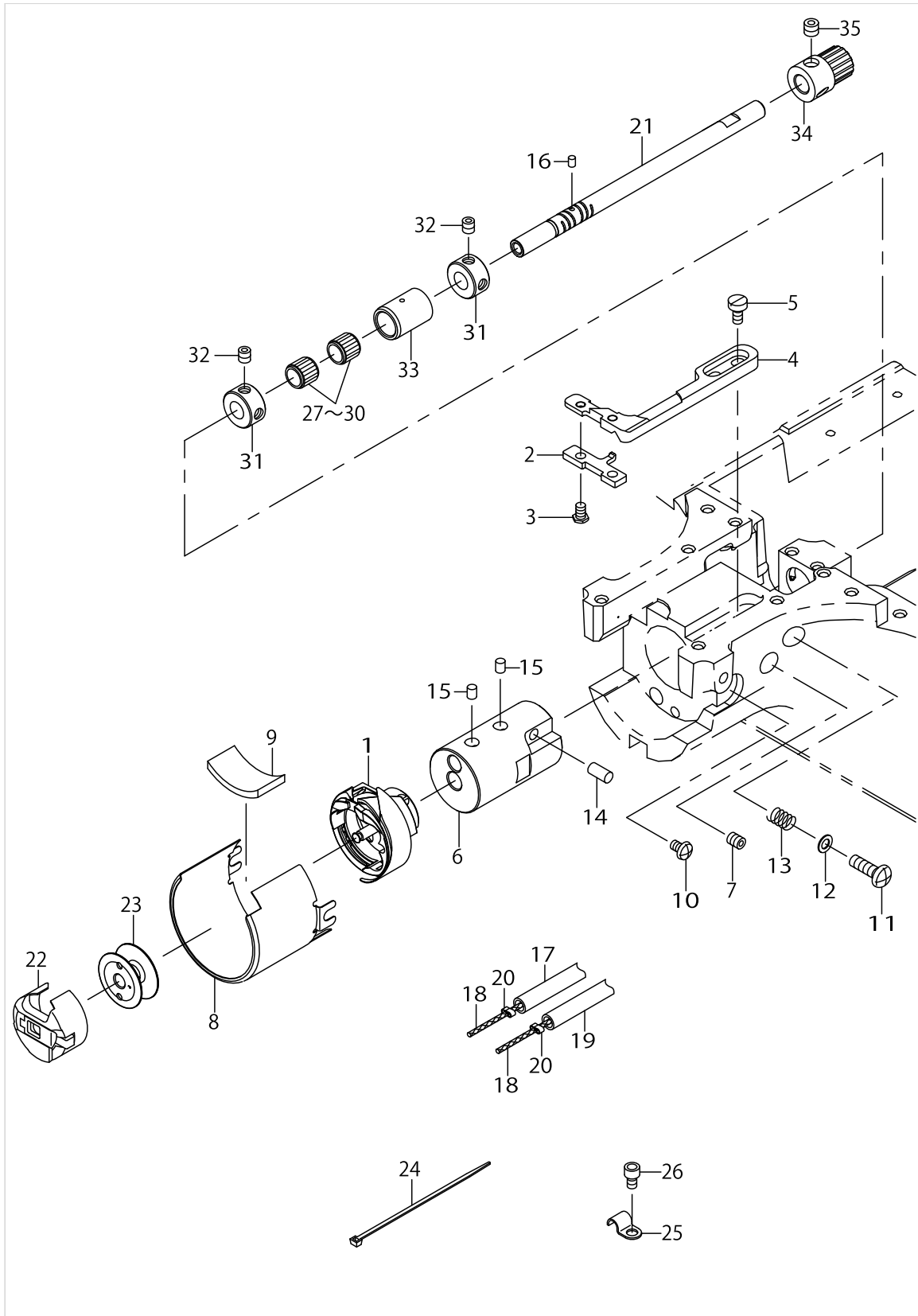
PRESSER MECHANISM & PRESSER VARIABLE COMPONENTS (2)



PRESSER MECHANISM & PRESSER VARIABLE COMPONENTS (2)

No.	Parts No.	Parts name	Remarks	Level	Cons	Qty
48	HD00057000A	PHOTO SENSOR				1
49	SL4031091SC	SCREW M3 X 10				1
50	EA9500B0100	CABLE BAND				2
51	SM6040602TP	SCREW M4 L=6				2
52	WP0450846SP	WASHER				4
53	40043321	BUSHING_C				1
54	SM6041402TP	SCREW M4 L=14				4

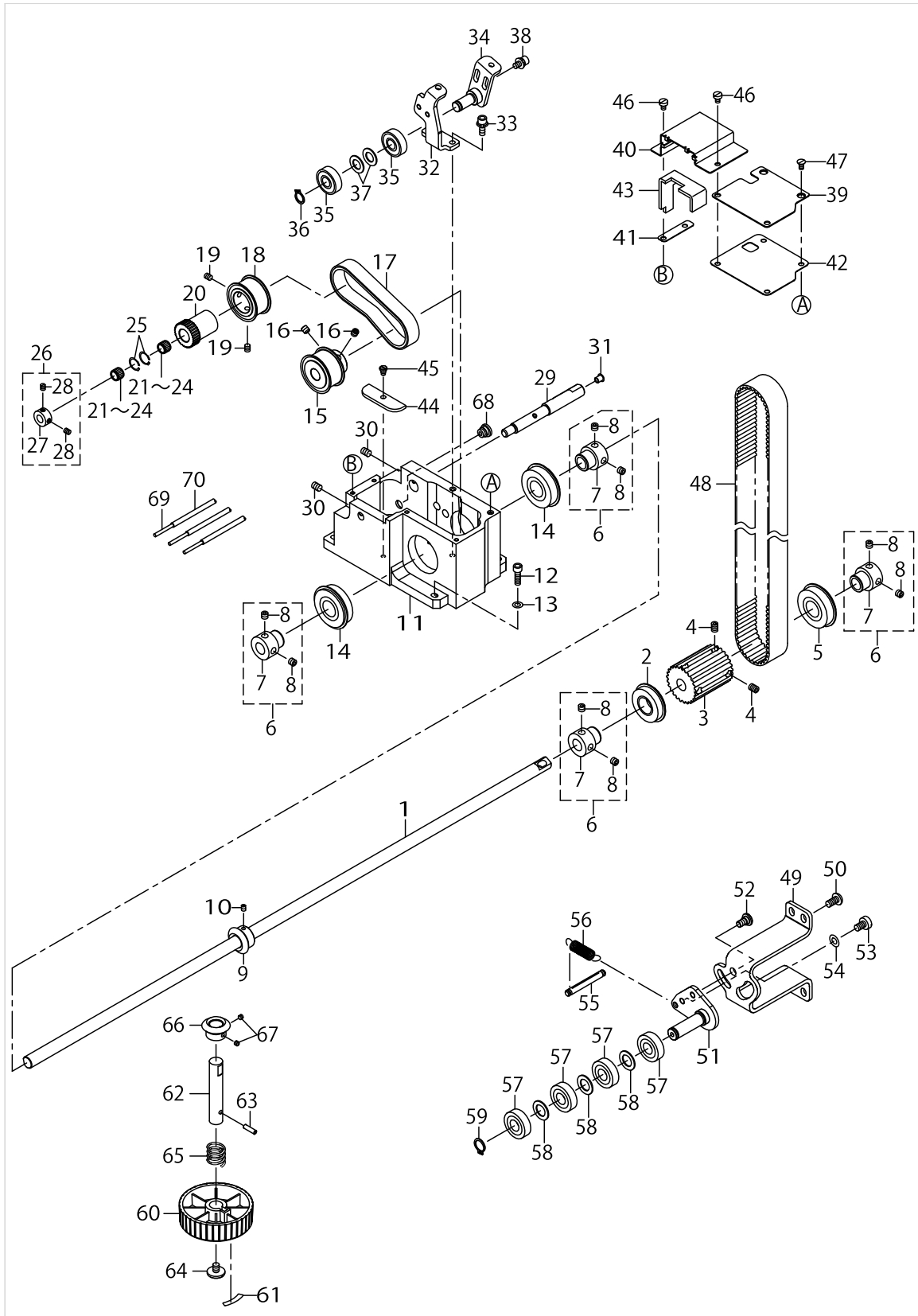
LOWER SHAFT COMPONENTS (1)



LOWER SHAFT COMPONENTS (1)

No.	Parts No.	Parts name	Remarks	Level	Cons	Qty
1	D1830141EA0	HOOK ASM. (KHS20-RMPN)			☆	1
2	40135366	INNER HOOK STOPPER			☆	1
3	40182654	SCREW				2
4	40182659	INNER_HOOK_STOPPER_BASE				1
5	SM6040800SP	SCREW				2
6	40173341	HOOK_SHAFT_METAL				1
7	SM8050612TP	SCREW M5X6				1
8	40182676	HOOK_OIL_PREVENTION_PLATE				1
9	10126704	OIL FELT				1
10	SM5040655SN	SCREW				2
11	SM4051655SP	SCREW M5 L=16				1
12	WP0531000SD	WASHER M5				1
13	B2626372000	SPRING				1
14	12219705	PIN				1
15	B1820210D00	SHUTTLE OIL FELT				2
16	B1821210D00	SHUTTLE OIL FELT				1
17	BP500000000	VINYL PIPE				0.8
18	CQ200000000	COTTON OIL WICK D=2				9.4
19	BT0700500EA	URETHANE TUBE CLEAR BLUE 7X5				1.35
20	26230706	OIL WICK PRESSER				2
21	40173337	SHUTTLE_DRIVER_SHAFT				1
22	40182643	BOBBIN_CASE_ASM			☆	2
23	40182679	BOBBIN_ASM			☆	2
24	EA9500B0100	CABLE BAND				2
25	40013721	TUBE CLAMP				1
26	SM6040602TP	SCREW M4 L=6				1
27	B1411804A00	BEARING (A)	SELECTIVE PARTS			2
28	B1411804B00	NEEDLE DRIVING LEVER BEARING B	SELECTIVE PARTS			2
29	B1411804C00	NEEDLE DRIVING LEVER BEARING C	SELECTIVE PARTS			2
30	B1411804D00	BEARING (D)	SELECTIVE PARTS			2
31	CS0800971TP	THRUST COLLAR D=8 W=9				2
32	SM8050512TP	SCREW				4
33	B1847221D00	LOWER SHAFT MIDDLE METAL				1
34	14435804	HOOK SHAFT GEAR				1
35	SS8660522TP	SCREW 1/4-40 L=4.5				2

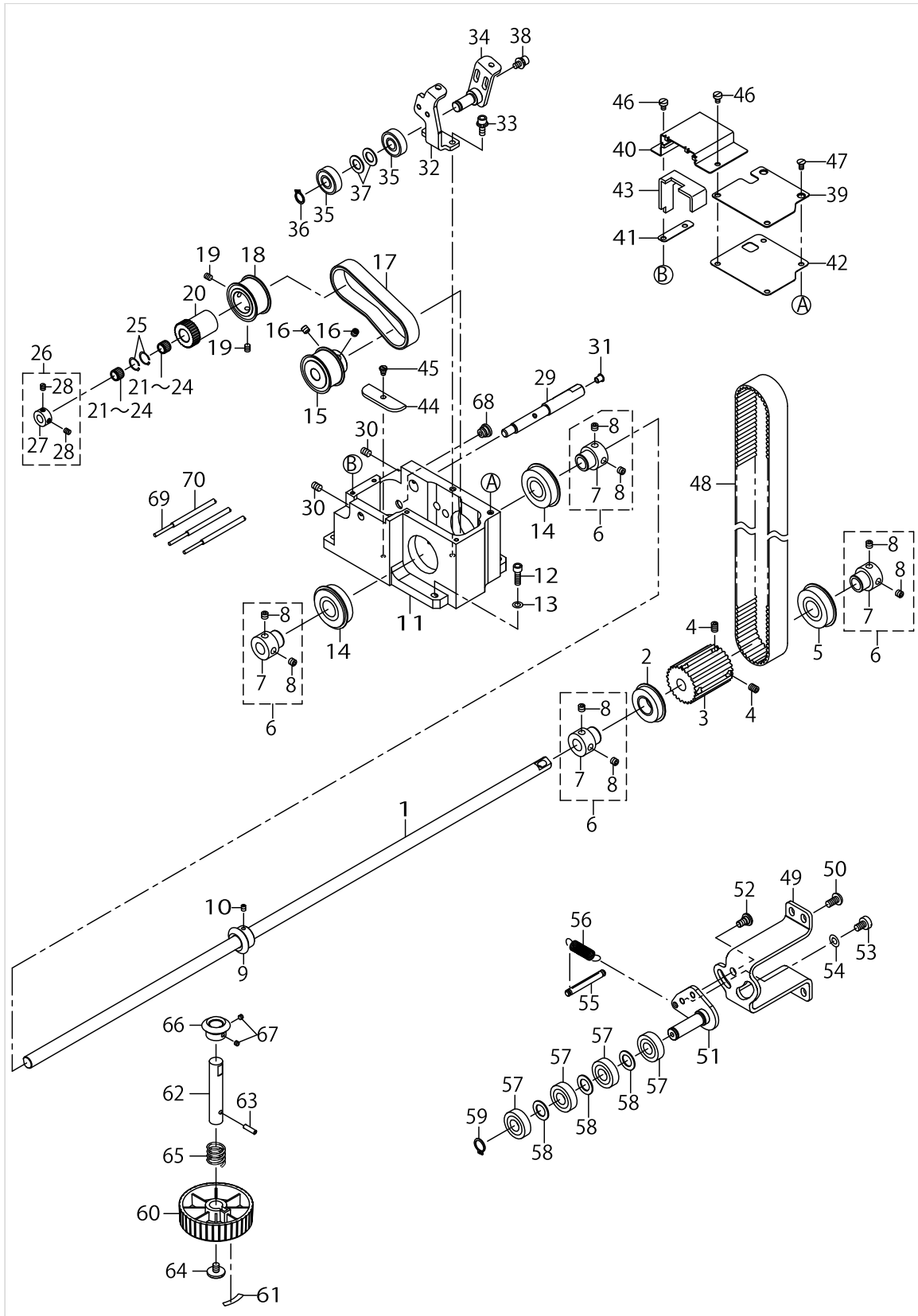
LOWER SHAFT COMPONENTS (2)



LOWER SHAFT COMPONENTS (2)

No.	Parts No.	Parts name	Remarks	Level	Cons	Qty
1	40173320	LOWER_SHAFT				1
2	SB117000400	BEARING				1
3	40072207	LOWER SHAFT SPROCKET				1
4	SM8060812TP	SCREW M6 L=8				4
5	SB117001000	BEARING				1
6	40086384	BEARING SUPPORT ASM.				4
7	23618606	BEARING SUPPORT		*		1
8	SS8660612TP	SCREW 1/4-40 L=6		*		2
9	40072173	GEAR_A				1
10	SM8040502TP	SCREW M4X0.7 L=5				2
11	40176341	LOWER_SHAFT_GEAR_BOX				1
12	SM6051602TP	SCREW M5X0.8 L=16				4
13	WP0531000SD	WASHER M5				4
14	SB117001100	BEARING				2
15	40173322	LOWER_SHAFT_PULLEY_6F				1
16	SM8060612TP	SCREW M6 L=6				2
17	40173323	TIMING_BELT				1
18	40173324	LOWER_SHAFT_PULLEY_33F				1
19	SM8050412TP	SCREW M5 L=4				2
20	14435705	SHUTTLE DRIVER SHAFT GEAR				1
21	SB31000080A	BEARING	SELECTIVE PARTS			2
22	SB31000080B	BEARING	SELECTIVE PARTS			2
23	SB31000080C	BEARING	SELECTIVE PARTS			2
24	SB31000080D	BEARING	SELECTIVE PARTS			2
25	RC1411018KP	C-RING 13 (10.9)				2
26	CS100081CSP	THRUST COLLAR ASM. D=10 W=8				1
27	CS1000811SP	THRUST COLLAR D=10 W=8		*		1
28	SS8110520TP	SCREW 11/64-40 L= 4.5		*		2
29	40173325	GEAR_SHAFT				1
30	SM8060812TP	SCREW M6 L=8				2
31	TA0550604R0	RUBBER PLUG				1
32	40173326	IDLER_FITTING_PLATE				1
33	SL6051492TN	SCREW M5 L=14				2
34	40173327	IDLER_BASE_ASM				1
35	SB110000400	BEARING				2
36	RC0100001KP	C-RING 10 (9.3)				1
37	WP1021016SD	WASHER				2
38	SL6051092TN	SCREW M5 L=10				2
39	40173331	BOX_COVER				1
40	40173336	BOX_COVER_A				1
41	40173332	GASKET_A				1
42	40173333	GASKET_B				1
43	40173334	FELT_A				1
44	40173335	FELT_B				1
45	40029420	FELT_SCREW_C				1
46	SM6040650TP	SCREW				4
47	SM1040870TP	SCREW				2

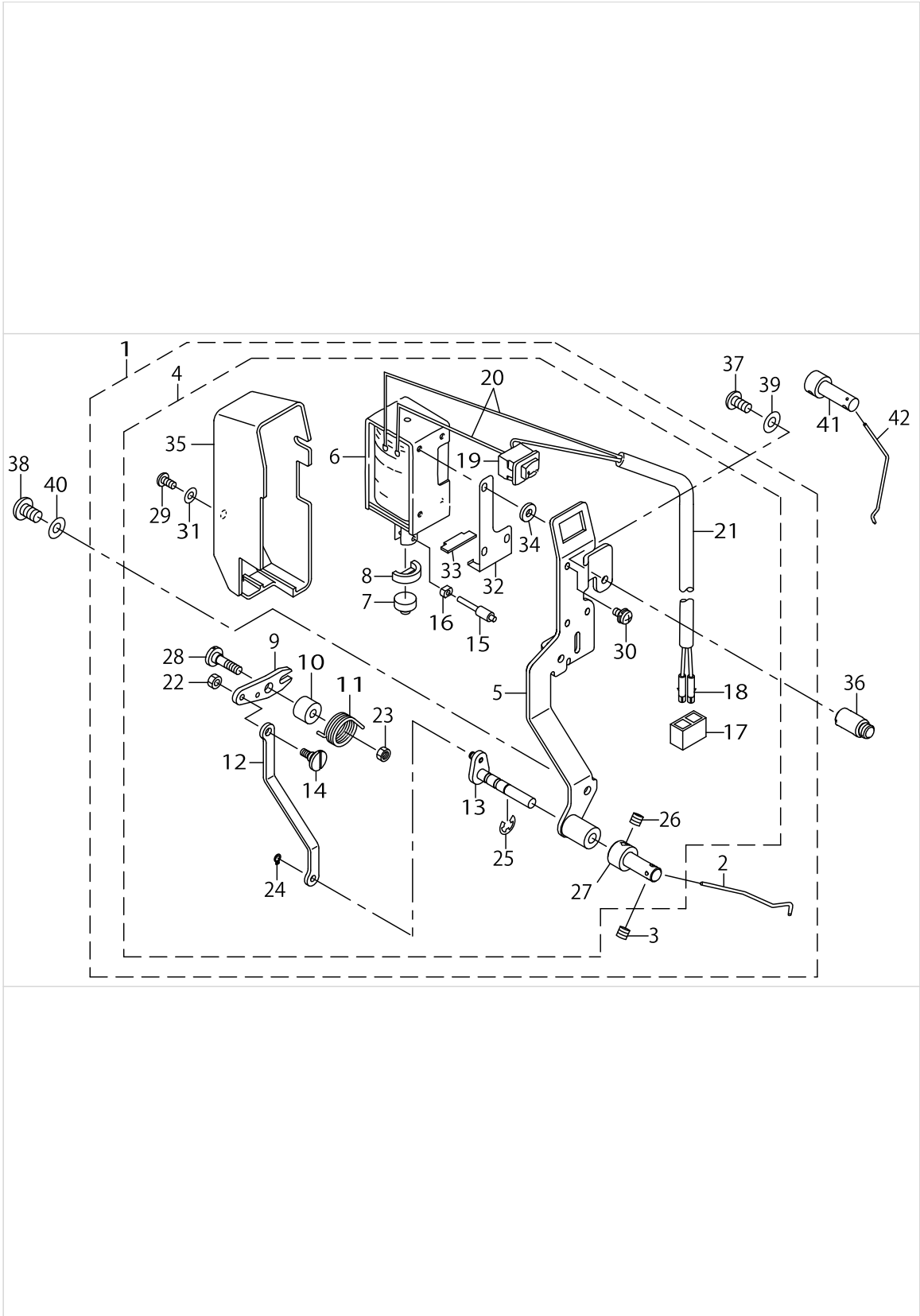
LOWER SHAFT COMPONENTS (2)



LOWER SHAFT COMPONENTS (2)

No.	Parts No.	Parts name	Remarks	Level	Cons	Qty
48	40072088	BELT				1
49	40072208	IDLER INSTALLING PLATE				1
50	SM4061255SP	SCREW M6 L=12				4
51	40185843	IDLER BASE				1
52	SD0800346TP	SHOULDER SCREW				1
53	SM6061010TP	SCREW M6 L=10				1
54	WP0641601SD	WASHER M6				1
55	13518501	SPRING SUSPENSION				1
56	14432504	IDLER SPRING				1
57	SB112000200	BEARING				4
58	WP1221016SP	WASHER				3
59	RC1200001KP	C-SHAPED SNAP RING				1
60	B1212210D00	PULLEY				1
61	B1144210000	REVOLVING DIRECTION LABEL				1
62	40044053	PULLEY SHAFT				1
63	PS0400142KH	SPRING PIN 4X14				1
64	A1230500000A	HANDWHEEL SETSCREW				1
65	GAF01007000	SPRING				1
66	40006516	GEAR_B				1
67	SM8040502TP	SCREW M4X0.7 L=5				2
68	40006840	RUBBER BUSH				3
69	CQ200000000	OIL WICK				2.6
70	23630007	TUBE				6.3

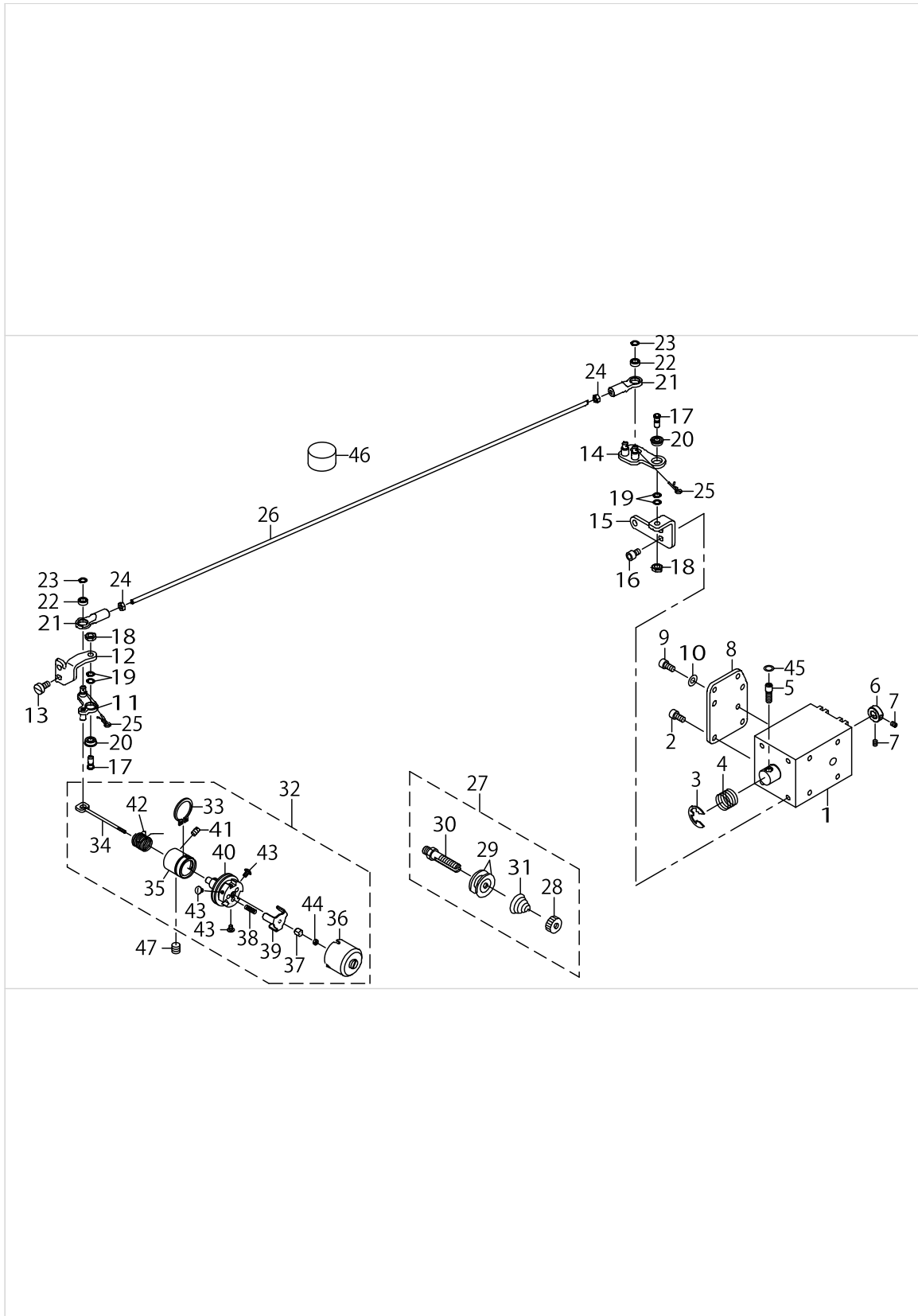
WIPER MECHANISM COMPONENTS



WIPER MECHANISM COMPONENTS

No.	Parts No.	Parts name	Remarks	Level	Cons	Qty
1	40106615	WIPER_ASM_221				1
2	B2107210D00	WIPER		*		1
3	SM8040412TP	SET SCREW M4 L=4		*		1
4	40106616	WIPER_B_ASM_221		*		1
5	40086355	WIPER_BASE_ASM		*		1
6	40030956	WIPER_SOLENOID		*		1
7	22955900	WIPER RUBBER A		*		1
8	22956007	WIPER RUBBER B		*		1
9	40086350	WIPER_LINK_A		*		1
10	40086353	WIPER_HINGE_SCREW_COLLAR		*		1
11	40086349	WIPER_SPRING		*		1
12	40086357	WIPER_LINK_B		*		1
13	40086358	WIPER_DRIVING_SHAFT_ASM		*		1
14	22956908	WIPER LINK B HINGE SCREW		*		1
15	40086352	WIPER_SOLENOID_SHAFT		*		1
16	40091894	SLIDE_BLOCK		*		1
17	HK034610020	2-POLE NYLON PLUG		*		1
18	HK03464000B	PIN CONTACT		*		2
19	HA006000000	SWITCH		*		1
20	HW200390000	ELECTRIC WIRE		*		0.04
21	HW500070000	2-CORE CABTYRE CORD		*		1.8
22	NS6090310SP	NUT 9/64-40		*		1
23	NM6050001SC	NUT M5		*		1
24	RC0370411KP	RETAINING RING		*		1
25	RE0500000K0	E-RING		*		1
26	SM8040412TP	SET SCREW M4 L=4		*		1
27	40086354	WIPER_SHAFT_CAP		*		1
28	40086351	SHOULDER_SCREW		*		1
29	SM4030601SN	SCREW M3X6		*		1
30	SL4031091SC	SCREW M3X10		*		3
31	WP0320501SC	WASHER M3		*		1
32	40037500	RUBBER HOLDER		*		1
33	40037501	STOPPER_RUBBER		*		1
34	WP0482086SD	WASHER 4.8X11.5X2		*		3
35	22955504	WIPER COVER		*		1
36	40025440	WIPER_STUD_TOP				1
37	SM4040855SP	SCREW				1
38	SM4050855SP	SCREW				1
39	WP0450801SP	WASHER				1
40	WP0531001SC	WASHER				1
41	40076294	WIPER_SHAFT_CAP	OPTIONAL PARTS			1
42	B2107210D0B	WIPER	OPTIONAL PARTS			1

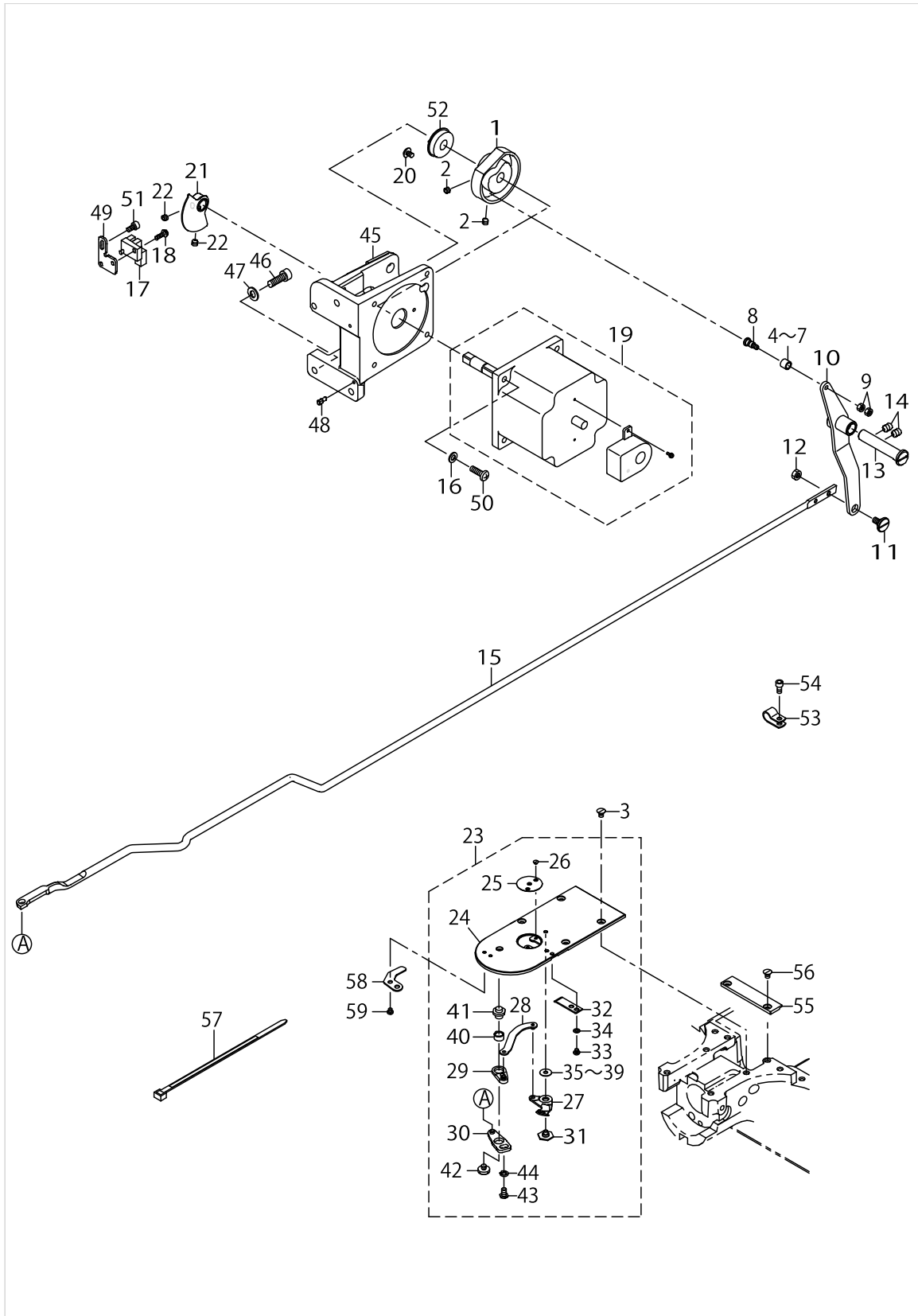
TENSION RELEASE & THREAD TENSION COMPONENTS



TENSION RELEASE & THREAD TENSION COMPONENTS

No.	Parts No.	Parts name	Remarks	Level	Cons	Qty
1	40073660	AT SOLENOID				1
2	SM6040802TP	SCREW M4X0.7 L=8				4
3	RE0900000K0	E-RING 9				1
4	40006625	SPRING				1
5	40006617	AT_SOL_PIN				1
6	40010477	AT_SOL_COLLAR				1
7	SM8030412TP	SCREW				2
8	40010479	AT_PLATE				1
9	SM6040802TP	SCREW M4X0.7 L=8				2
10	WP0430801SC	WASHER 4.3X9X0.8				2
11	40032343	AT_DRIVE_LINK_F_ASM				1
12	40023993	AT_PIVOT_BASE(F)				1
13	SM6040860TP	SCREW M4 L=8				2
14	40032345	AT_DRIVE_LINK_R_ASM				1
15	40023999	AT_PIVOT_BASE(R)				1
16	SM6040802TP	SCREW M4X0.7 L=8				2
17	40010487	AT_PIVOT_SCREW				2
18	NM6040003SC	NUT M4				2
19	40010489	AT_PIVOT_SCREW_WASHER				4
20	40010490	AT_PIVOT_BEARING				2
21	40010497	AT_JOINT				2
22	40010498	AT_JOINT_BEARING				2
23	40010489	AT_PIVOT_SCREW_WASHER				2
24	NM6030001SC	NUT M3X0.5 TYPE1				2
25	40006622	AT_SNAP_PIN				2
26	40072111	AT CONNECTION BAR				1
27	40010503	THREAD_TENSION_1_ASM.				1
28	22928808	NUT		*		1
29	22921506	THREAD TENSION DISK		*		2
30	40010504	THREAD_TENSION_SHAFT		*		1
31	26218602	FIRST THREAD TENSION SPRING		*		1
32	40029411	THREAD_TENSION_2_ASM_H				1
33	40010523	POST_BASE_C_RING		*		1
34	40010509	TENSION RELEASE PIN		*		1
35	40010510	THREAD_TENSION_POST_BASE		*		1
36	40010511	DISK_STOPPER_HOLDER_CAP		*		1
37	40010512	THREAD_TENSION_SHAFT_COLLAR		*		1
38	40010513	DISK_STOPPER_SPRING		*		3
39	40010514	DISK_STOPPER		*		1
40	40010515	ASSY_THREAD_TENSION_POST		*		1
41	40010478	AT_SOL_COLLAR_SCREW		*		1
42	40029412	THREAD_TAKE-UP_SPRING_H		*	☆	1
43	40010521	HOLD_CAP_SCREW		*		3
44	40010522	SHAFT_NUT		*		1
45	WP0510516SD	WASHER 5.1X7.5X0.5				2
46	B1228232000	OIL FELT				2
47	SM8061612TP	SCREW M6X16				1

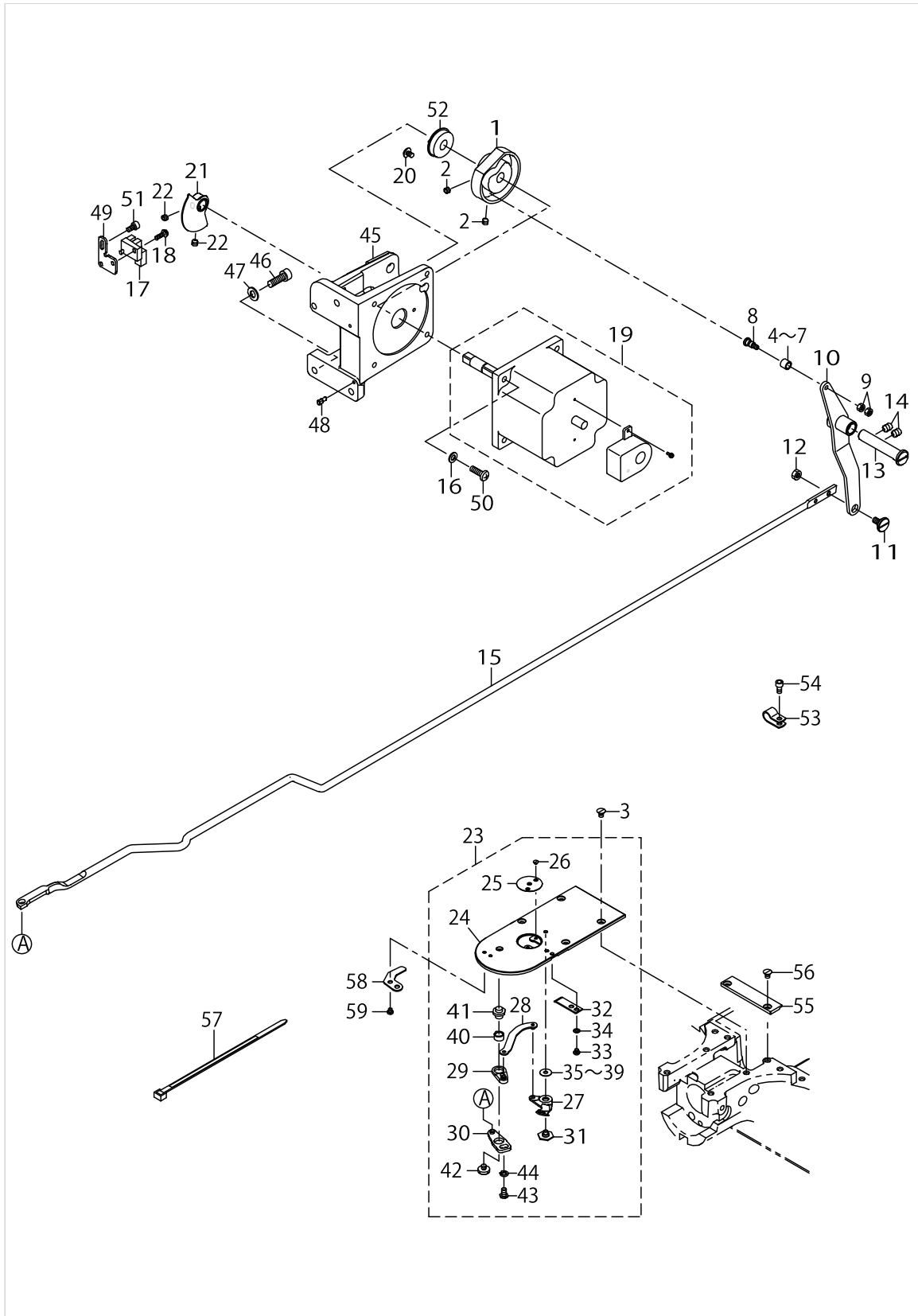
THREAD TRIMMER MECHANISM COMPONENTS



THREAD TRIMMER MECHANISM COMPONENTS

No.	Parts No.	Parts name	Remarks	Level	Cons	Qty
1	40030936	THREAD_TRIMMER_CAM				1
2	SM8050592TP	SCREW				2
3	SM1040650TP	SCREW				4
4	23517501	NEEDLE CAM ROLLER A	SELECTIVE PARTS			1
5	23517600	NEEDLE CAM ROLLER B	SELECTIVE PARTS			1
6	23517709	NEEDLE CAM ROLLER C	SELECTIVE PARTS			1
7	23517808	NEEDLE CAM ROLLER D	SELECTIVE PARTS			1
8	40040256	ROLLER_SHAFT				1
9	NM6040001SP	NUT M4X0.7				2
10	40072228	THREAD_TRIMMER_LINK_ASM				1
11	SD0800327TP	SHOULDER SCREW				1
12	NM6050001SP	NUT M5				1
13	40023624	THREAD_TRIMMER_SHAFT				1
14	SM8060812TP	SCREW M6 L=8				2
15	40188163	THREAD TRIMMER CONNECTING BAR				1
16	WP0531000SD	WASHER M5				4
17	HD00057000A	PHOTO SENSOR				1
18	SL4031091SC	SCREW M3X10				1
19	40103968	ENCODER MOTOR ASM.(TC)				1
20	SM6040650TP	SCREW				1
21	40006666	SENSOR_SLIT_ASM				1
22	SM8050592TP	SCREW				2
23	40182655	NEEDLE_PLATE_ASM				1
24	40189452	NEEDLE PLATE		*		1
25	14439608	NEEDLE HOLE GUIDE D=3		*	☆	1
26	SS1060210TP	SCREW 3/32-56 L=2.2		*		2
27	14440309	MOVING KNIFE		*	☆	1
28	14440457	MOVING KNIFE LINK COMPL.		*		1
29	14440556	LEVER TYPE COMPL.		*		1
30	B24142800A0	THREAD CUTTER LEVER ASM.		*		1
31	40173343	MOVING_KNIFE_HINGE_SCREW		*		1
32	40135370	FIXING KNIFE		*	☆	1
33	SM4030301SC	SCREW M3X0.5 L=3		*		2
34	WP0320500SC	WASHER M3		*		2
35	B242328000A	MOVING KNIFE WASHER A	SELECTIVE PARTS	*		1
36	B242328000B	MOVING KNIFE WASHER B	SELECTIVE PARTS	*		1
37	B242328000C	MOVING KNIFE WASHER C	SELECTIVE PARTS	*		1
38	B242328000D	MOVING KNIFE WASHER D	SELECTIVE PARTS	*		1
39	B242328000E	MOVING KNIFE WASHER E	SELECTIVE PARTS	*		1
40	B2416280000	THREAD CUTTING LEVER RING		*		1
41	B2417280000	THREAD CUTTER LEVER SHAFT		*		1
42	40182656	SCREW		*		1
43	40182657	SCREW		*		1
44	WP0450846SP	WASHER		*		1
45	40072211	MOTOR_BASE				1
46	SM6061802TP	SCREW M6 L=18				3
47	WP0651001SC	WASHER				3

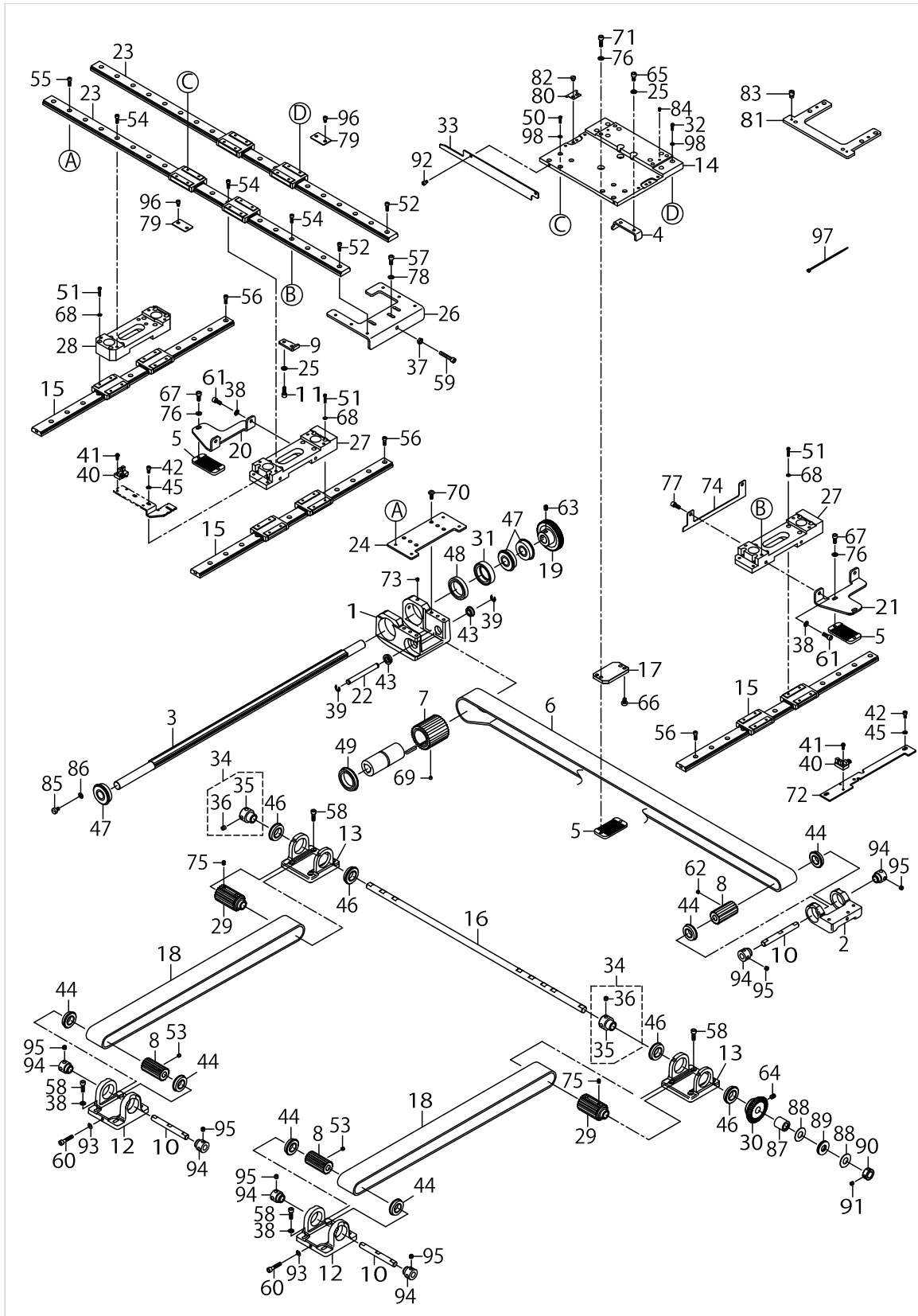
THREAD TRIMMER MECHANISM COMPONENTS



THREAD TRIMMER MECHANISM COMPONENTS

No.	Parts No.	Parts name	Remarks	Level	Cons	Qty
48	B1816215P00	GUIDE PIN				2
49	40010443	SENSOR_INSTALLING_BASE				1
50	SM4051655SP	SCREW M5 L=16				4
51	SM6040802TP	SCREW M4X0.7 L=8				1
52	SB110002400	BEARING				1
53	HX00150000C	CABLE CLIP				1
54	SM6040802TP	SCREW M4X0.7 L=8				1
55	40173339	NEEDLE_PLATE_SUPPORTER				1
56	SM1040650TP	SCREW				2
57	HX00065000A	CABLE CLIP				2
58	40189218	BAR_GUIDE				1
59	SM4030301SC	SCREW M3X3				2

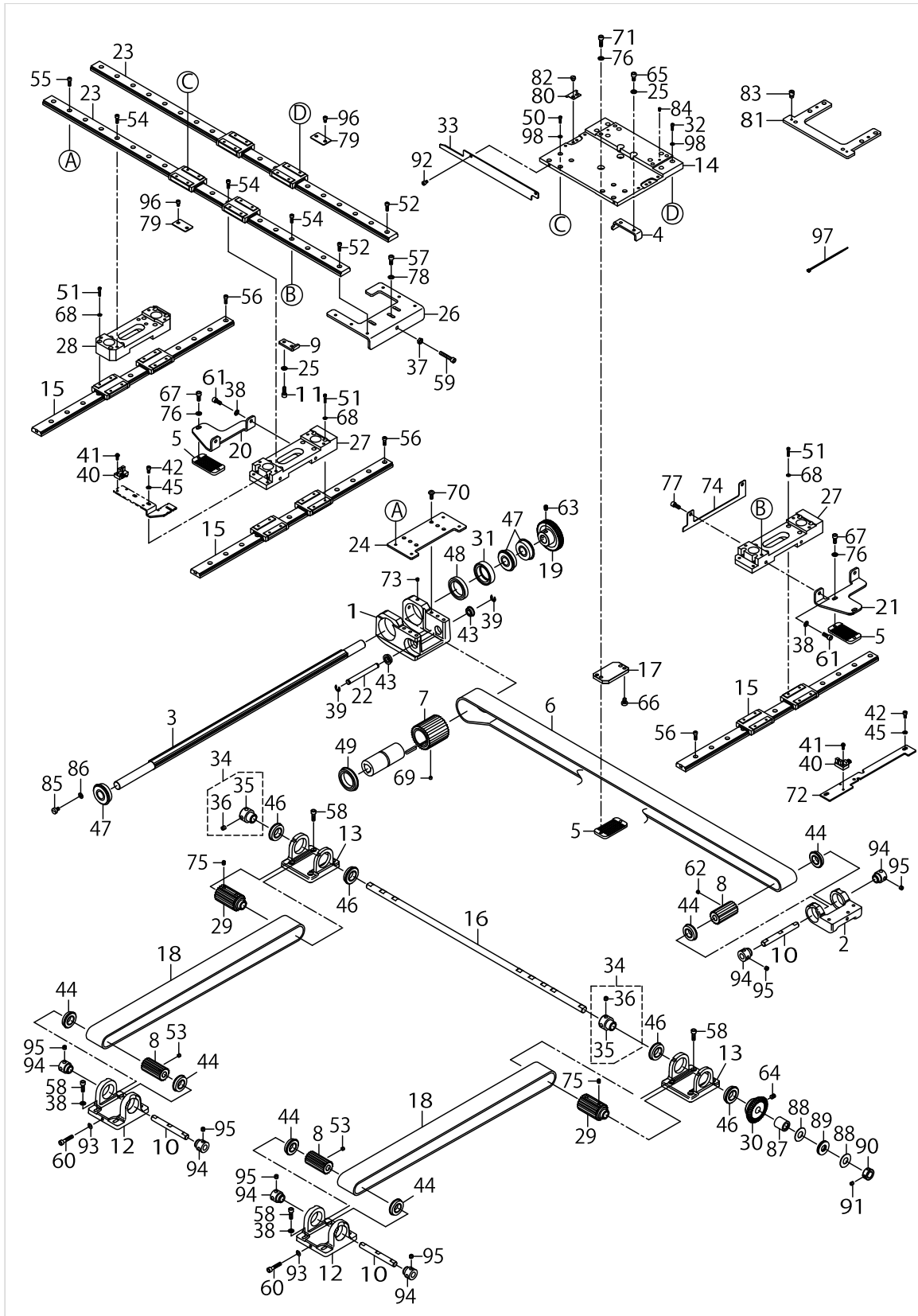
X-Y COMPONENTS (1)(FOR 4530)



X-Y COMPONENTS (1)(FOR 4530)

No.	Parts No.	Parts name	Remarks	Level	Cons	Qty
1	40072160	X_DRIVE_BRACKET				1
2	40072113	X DRIVEN BRACKET				1
3	40072115	X DRIVE SPLINE SHAFT				1
4	40072130	X STOPPER A 4530				1
5	40072166	BELT RECEIVER				3
6	40072169	X TIMING BELT(4530)				1
7	40072167	X DRIVE SPROCKET				1
8	40072168	DRIVEN SPROCKET				3
9	40072152	X STOPPER B 4530				1
10	40072226	DRIVEN_SHAFT				3
11	SM6051402TP	SCREW M5X0.8 L=14				2
12	40072114	Y DRIVEN BRACKET				2
13	40072112	Y DRIVE BRACKET				2
14	40072116	X FEED BASE				1
15	40072117	Y-LM GUIDE				3
16	40072118	Y DRIVE SHAFT				1
17	40072119	X BELT PRESSER FIX PLATE				1
18	40072171	Y TIMING BELT				2
19	B2534223C00	X DRIVEN WHEEL				1
20	40072129	Y BELT PRESSER FIX PLATE LEFT				1
21	40072128	Y BELT PRESSER FIX PLATE RIGHT				1
22	B2539223C00	X IDLER SHAFT				1
23	40072120	X-LM GUIDE(4530)				2
24	40072122	X DRIVE BRACKET BASE				1
25	WP0531000SD	WASHER M5				4
26	40072156	X DRIVEN BRACKET BASE 4530				1
27	40072124	Y FEED BASE A				2
28	40072125	Y FEED BASE B				1
29	40072126	Y DRIVE SPROCKET				2
30	B2548223C00	Y DRIVEN WHEEL				1
31	B2549223C00	COLLAR				1
32	SM6031002TP	HEXAGONAL BOLT M3X10				8
33	40072131	X SLIT PLATE 4530				1
34	40086384	BEARING SUPPORT ASM.				2
35	23618606	BEARING SUPPORT		*		1
36	SS8660612TP	SCREW 1/4-40 L=6		*		2
37	NM6050001SP	NUT M5				1
38	WP0531000SD	WASHER M5				12
39	RE0600000K0	E-RING 6				2
40	HD00057000A	PHOTO SENSOR				2
41	SL4031091SC	SCREW M3X10				2
42	SM6040802TP	SCREW M4X0.7 L=8				4
43	SB108000500	RADIAL BEARING				2
44	SB115000600	BALL BEARING				6
45	WP0430800SD	WASHER M4				4
46	SB117000900	BEARING				4
47	B1802180000	BUSHING FRONT				3

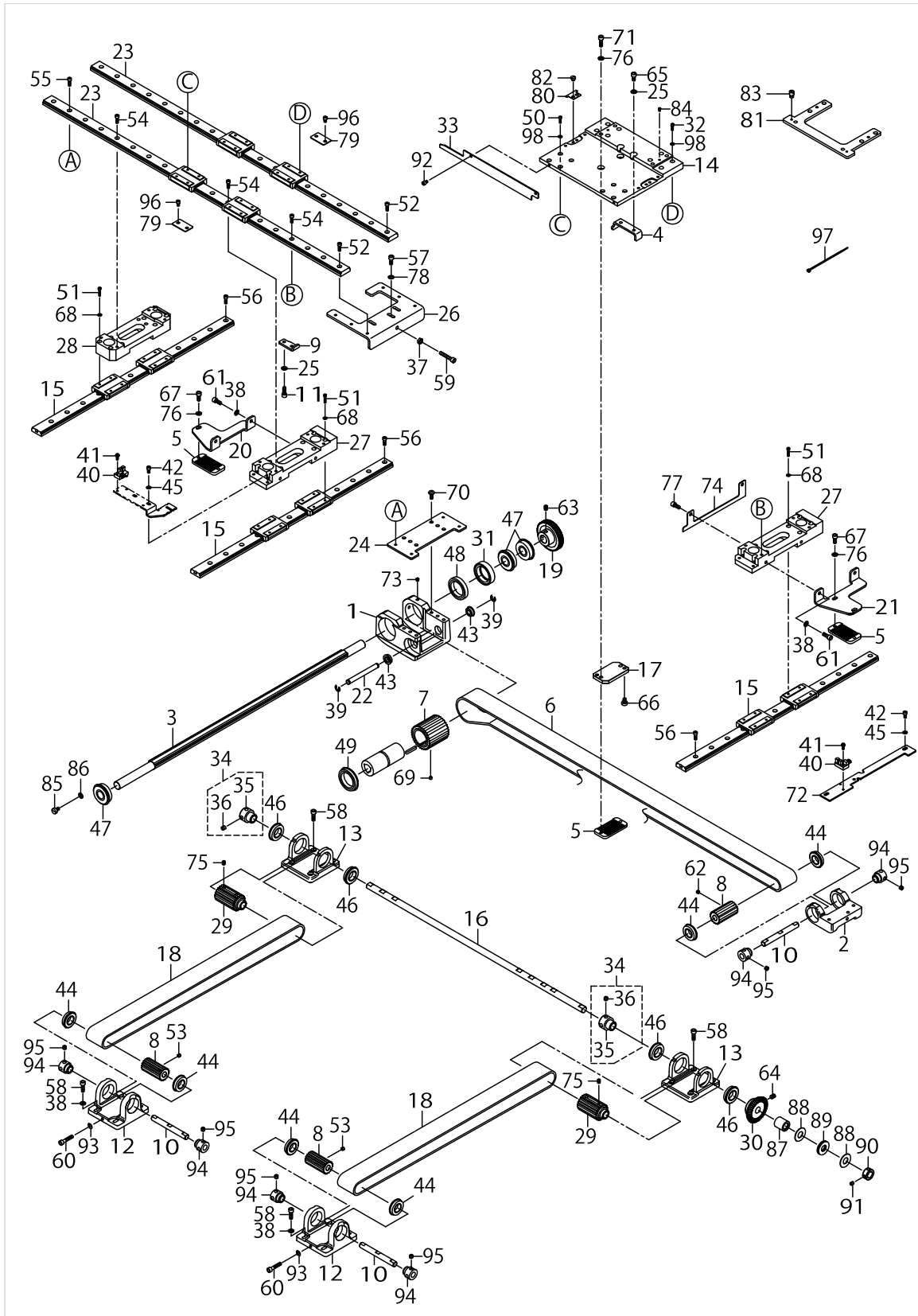
X-Y COMPONENTS (1)(FOR 4530)



X-Y COMPONENTS (1)(FOR 4530)

No.	Parts No.	Parts name	Remarks	Level	Cons	Qty
48	SB13000200	BEARING				1
49	SB13000300	BEARING				1
50	SM6030602TP	SCREW M3X0.5 L=6				8
51	SM6031402TP	SCREW				24
52	SM6041202TP	SCREW M4X0.7 L=12				6
53	SM8050412TP	SCREW M5 L=4				4
54	SM6041202TP	SCREW M4X0.7 L=12				12
55	SM6041202TP	SCREW M4X0.7 L=12				4
56	SM6041202TP	SCREW M4X0.7 L=12				21
57	SM6051202TP	SCREW M5X0.8 L=12				3
58	SM6051602TP	SCREW M5X0.8 L=16				16
59	SM6053052TN	SCREW				1
60	SM6052502TP	SCREW M5X0.8 L=25				2
61	SM6051202TP	SCREW M5X0.8 L=12				4
62	SM8050412TP	SCREW M5 L=4				2
63	SM8060802TP	SCREW M6 L=8				2
64	SM8060812TP	SCREW M6 L=8				2
65	SM6051002TP	SCREW M5X0.8 L=10				2
66	SM6050800SP	SCREW M5 L=8				2
67	SM6051202TP	SCREW M5X0.8 L=12				4
68	WP0320501SD	WASHER				24
69	SM8050412TP	SCREW M5 L=4				2
70	SM4051255SP	SCREW M5 L=12				6
71	SM6051602TP	SCREW M5X0.8 L=16				2
72	40072209	YSENSOR INSTALLING PLATE				1
73	SM8050412TP	SCREW M5 L=4				2
74	40072133	Y SLIT PLATE				1
75	SM8050612TP	SCREW M5X6				8
76	WP0531000SD	WASHER M5				6
77	SM6050652TP	HEXAGON SOCKET HEAD SCREW M5X6				2
78	WP0531000SD	WASHER M5				3
79	B4022221D00	FLAT CABLE CLAMP				2
80	B1158224C00	COVER PRESSER				2
81	40072127	LOWER PLATE INSTALLING PLATE				1
82	SM6040450TP	SCREW M4 L=4				4
83	B151902600G	HINGE STUD				2
84	B1816280000	GUIDE PIN				2
85	SM6050800SP	SCREW M5 L=8				1
86	WP0531000SD	WASHER M5				1
87	SB312000600	BEARING				1
88	13887005	THRUST WASHER				2
89	SB612000100	BEARING				1
90	CS1200981TP	THRUST COLLAR D=12 W=9				1
91	SM8050592TP	SCREW				2
92	SM6040602TP	SCREW M4 L=6				2
93	WP0531000SD	WASHER M5				2
94	40072227	BEARING_BUSH				6

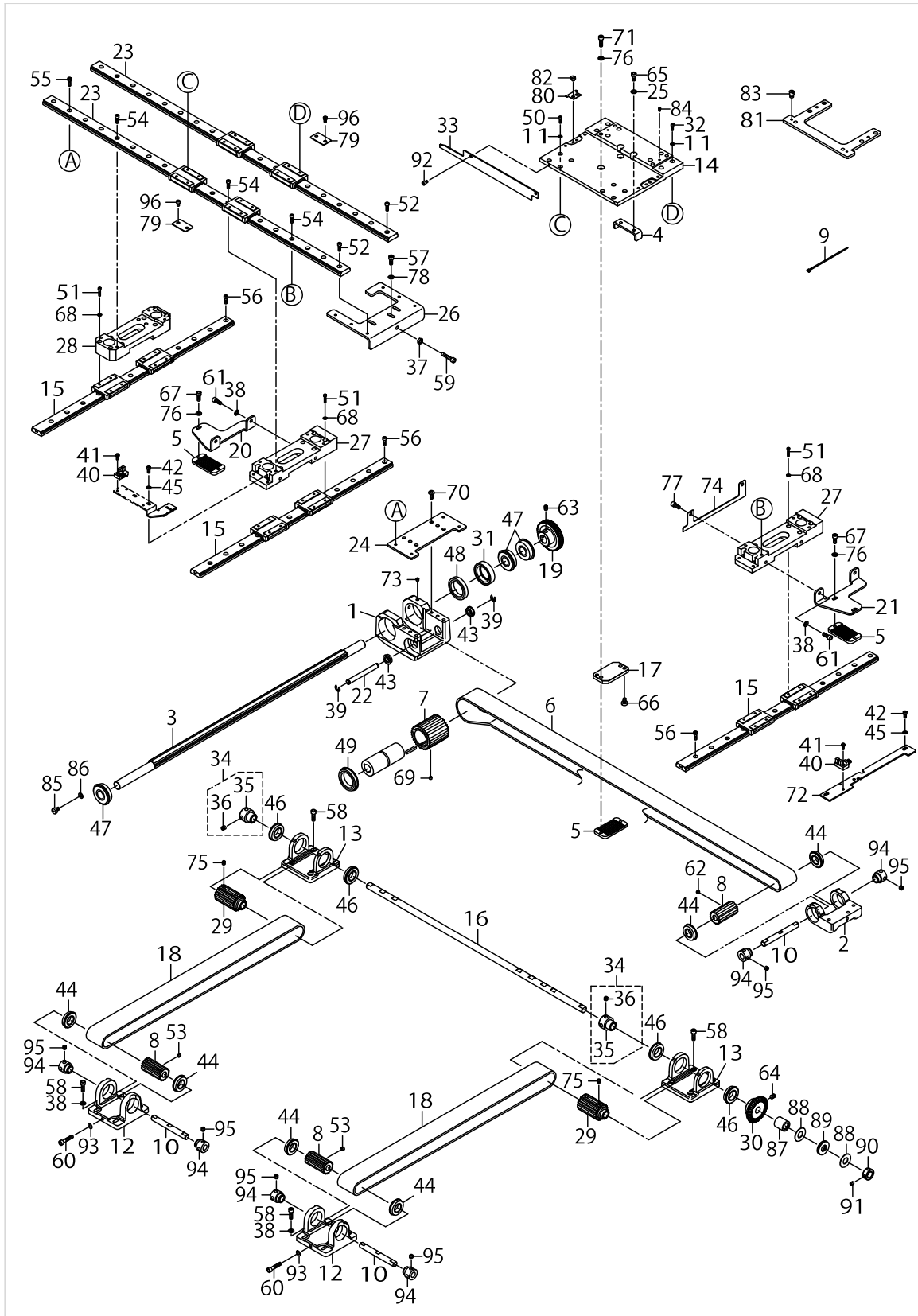
X-Y COMPONENTS (1)(FOR 4530)



X-Y COMPONENTS (1)(FOR 4530)

No.	Parts No.	Parts name	Remarks	Level	Cons	Qty
95	SM8060552TP	SCREW M6 L=5				12
96	SM6040602TP	SCREW M4 L=6				4
97	EA9500B0100	CABLE BAND				3
98	WP0320501SD	WASHER				16

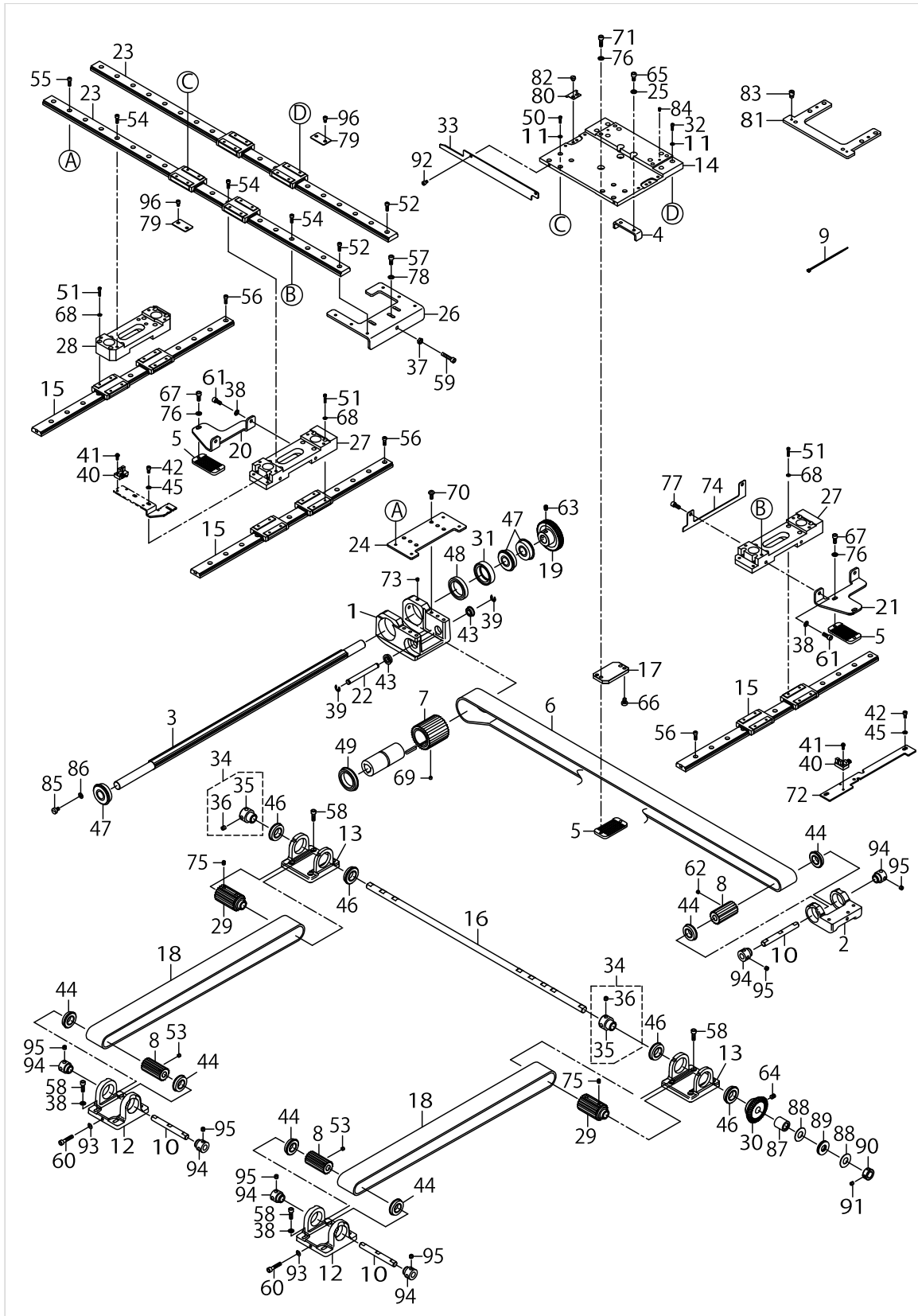
X-Y COMPONENTS (2)(FOR 6030)



X-Y COMPONENTS (2)(FOR 6030)

No.	Parts No.	Parts name	Remarks	Level	Cons	Qty
1	40072160	X_DRIVE_BRACKET				1
2	40072113	X DRIVEN BRACKET				1
3	40072115	X DRIVE SPLINE SHAFT				1
4	40072153	X STOPPER 6030				1
5	40072166	BELT RECEIVER				3
6	40072170	X TIMING BELT (6030)				1
7	40072167	X DRIVE SPROCKET				1
8	40072168	DRIVEN SPROCKET				3
9	EA9500B0100	CABLE BAND				3
10	40072226	DRIVEN_SHAFT				3
11	WP0320501SD	WASHER				16
12	40072114	Y DRIVEN BRACKET				2
13	40072112	Y DRIVE BRACKET				2
14	40072116	X FEED BASE				1
15	40072117	Y-LM GUIDE				4
16	40072118	Y DRIVE SHAFT				1
17	40072119	X BELT PRESSER FIX PLATE				1
18	40072171	Y TIMING BELT				2
19	B2534223C00	X DRIVEN WHEEL				1
20	40072129	Y BELT PRESSER FIX PLATE LEFT				1
21	40072128	Y BELT PRESSER FIX PLATE RIGHT				1
22	B2539223C00	X IDLER SHAFT				1
23	40072121	X-LM GUIDE(6030)				2
24	40072122	X DRIVE BRACKET BASE				1
25	WP0531000SD	WASHER M5				2
26	40072123	X DRIVEN BRACKET BASE(6030)				1
27	40072124	Y FEED BASE A				2
28	40072125	Y FEED BASE B				2
29	40072126	Y DRIVE SPROCKET				2
30	B2548223C00	Y DRIVEN WHEEL				1
31	B2549223C00	COLLAR				1
32	SM6031002TP	HEXAGONAL BOLT M3X10				8
33	40072132	X SLIT PLATE 6030				1
34	40086384	BEARING SUPPORT ASM.				2
35	23618606	BEARING SUPPORT		*		1
36	SS8660612TP	SCREW 1/4-40 L=6		*		2
37	NM6050001SP	NUT M5				1
38	WP0531000SD	WASHER M5				12
39	RE0600000K0	E-RING 6				2
40	HD00057000A	PHOTO SENSOR				2
41	SL4031091SC	SCREW M3X10				2
42	SM6040802TP	SCREW M4X0.7 L=8				4
43	SB108000500	RADIAL BEARING				2
44	SB115000600	BALL BEARING				6
45	WP0430800SD	WASHER M4				4
46	SB117000900	BEARING				4
47	B1802180000	BUSHING FRONT				3

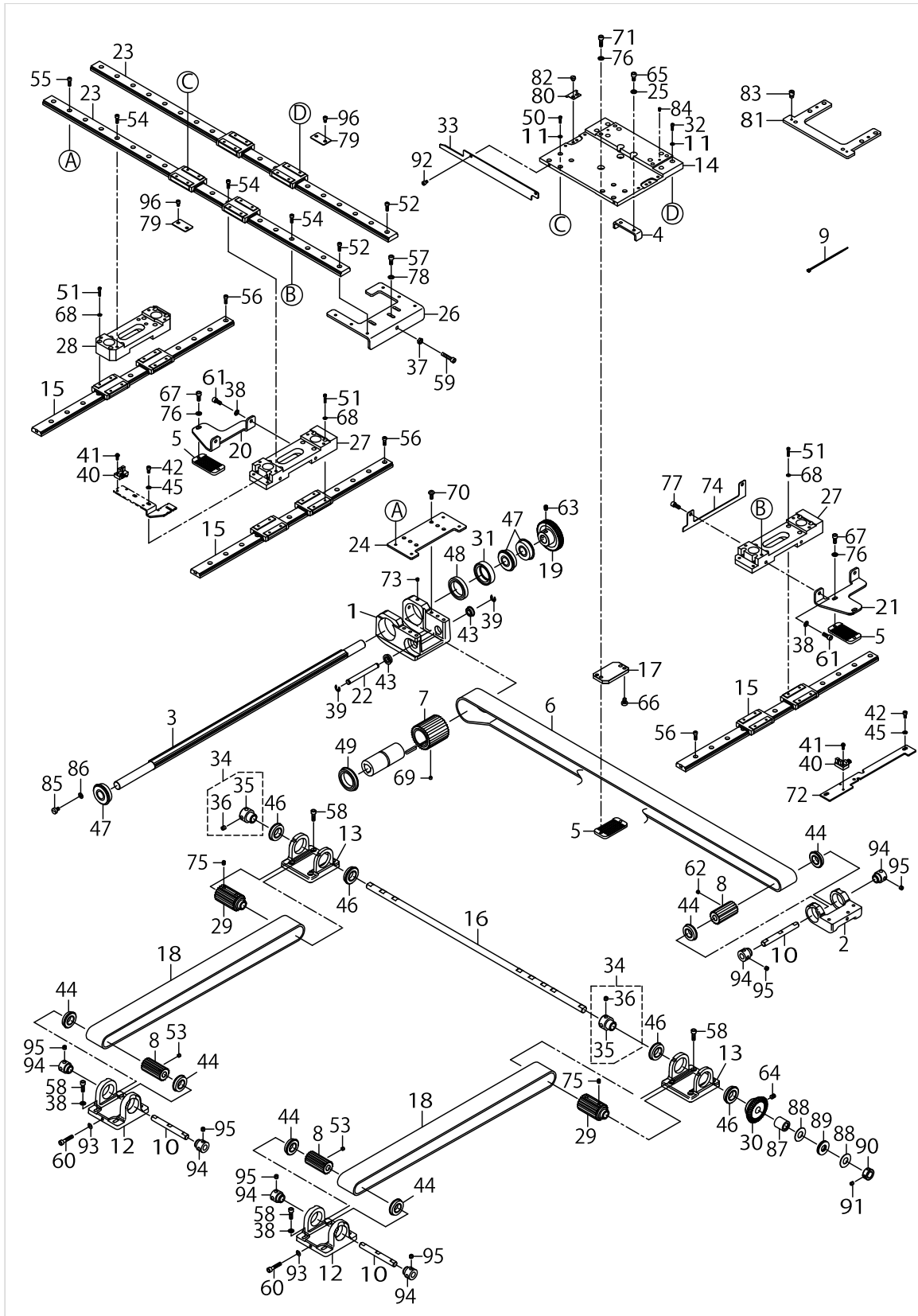
X-Y COMPONENTS (2)(FOR 6030)



X-Y COMPONENTS (2)(FOR 6030)

No.	Parts No.	Parts name	Remarks	Level	Cons	Qty
48	SB13000200	BEARING				1
49	SB13000300	BEARING				1
50	SM6030602TP	SCREW M3X0.5 L=6				8
51	SM6031402TP	SCREW				32
52	SM6041202TP	SCREW M4X0.7 L=12				4
53	SM8050412TP	SCREW M5 L=4				4
54	SM6041202TP	SCREW M4X0.7 L=12				16
55	SM6041202TP	SCREW M4X0.7 L=12				4
56	SM6041202TP	SCREW M4X0.7 L=12				28
57	SM6051202TP	SCREW M5X0.8 L=12				3
58	SM6051602TP	SCREW M5X0.8 L=16				16
59	SM6052502TP	SCREW M5X0.8 L=25				1
60	SM6052502TP	SCREW M5X0.8 L=25				2
61	SM6051202TP	SCREW M5X0.8 L=12				4
62	SM8050412TP	SCREW M5 L=4				2
63	SM8060802TP	SCREW M6 L=8				2
64	SM8060812TP	SCREW M6 L=8				2
65	SM6051002TP	SCREW M5X0.8 L=10				2
66	SM6050800SP	SCREW M5 L=8				2
67	SM6051202TP	SCREW M5X0.8 L=12				4
68	WP0320501SD	WASHER				32
69	SM8050412TP	SCREW M5 L=4				2
70	SM4051255SP	SCREW M5 L=12				6
71	SM6051602TP	SCREW M5X0.8 L=16				2
72	40072209	YSENSOR INSTALLING PLATE				1
73	SM8050412TP	SCREW M5 L=4				2
74	40072133	Y SLIT PLATE				1
75	SM8050612TP	SCREW M5X6				8
76	WP0531000SD	WASHER M5				6
77	SM6050652TP	HEXAGON SOCKET HEAD SCREW M5X6				2
78	WP0531000SD	WASHER M5				3
79	B4022221D00	FLAT CABLE CLAMP				2
80	B1158224C00	COVER PRESSER				2
81	40072127	LOWER PLATE INSTALLING PLATE				1
82	SM6040450TP	SCREW M4 L=4				4
83	B151902600G	HINGE STUD				2
84	B1816280000	GUIDE PIN				2
85	SM6050800SP	SCREW M5 L=8				1
86	WP0531000SD	WASHER M5				1
87	SB312000600	BEARING				1
88	13887005	THRUST WASHER				2
89	SB612000100	BEARING				1
90	CS1200981TP	THRUST COLLAR D=12 W=9				1
91	SM8050592TP	SCREW				2
92	SM6040602TP	SCREW M4 L=6				2
93	WP0531000SD	WASHER M5				2
94	40072227	BEARING_BUSH				6

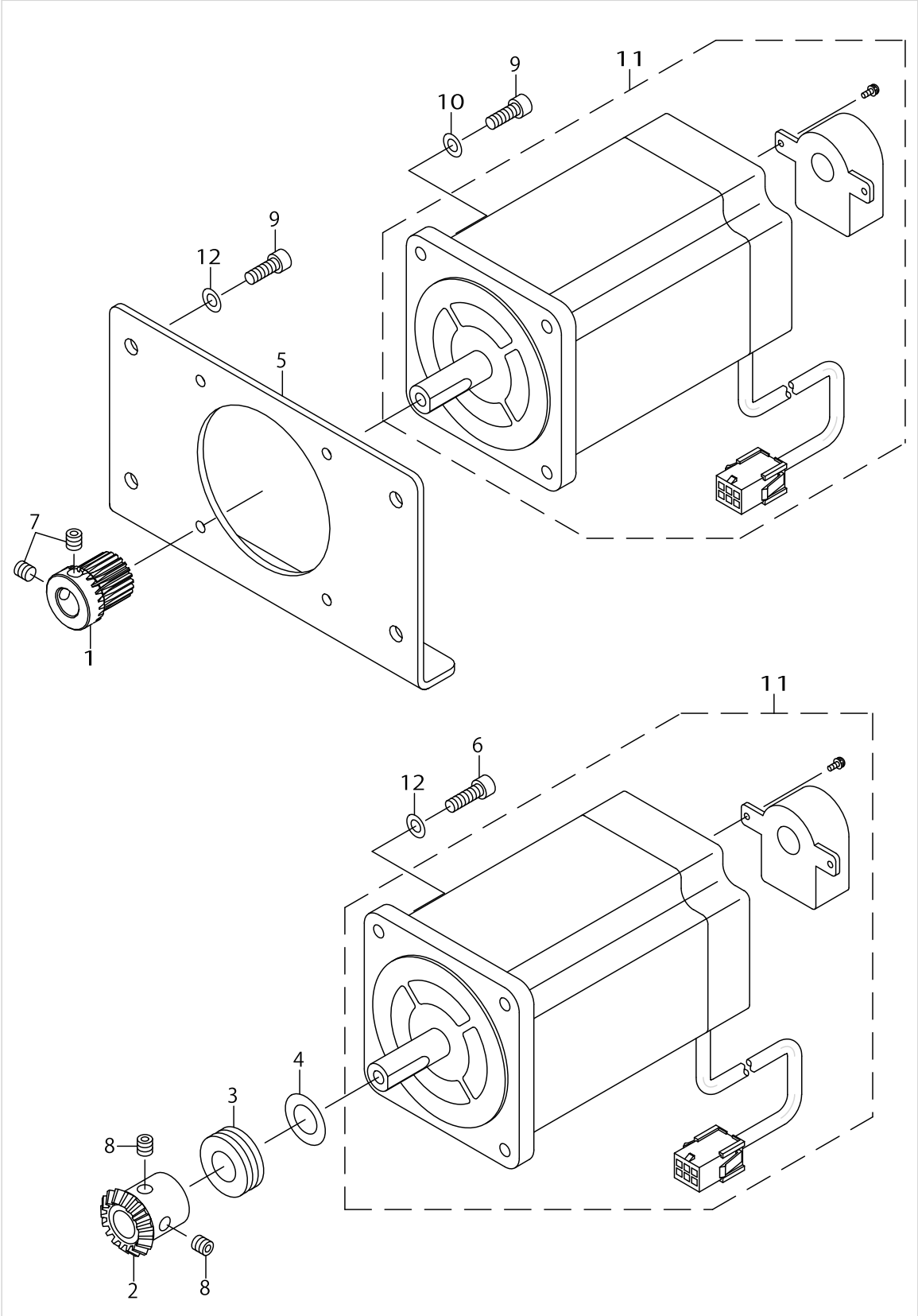
X-Y COMPONENTS (2)(FOR 6030)



X-Y COMPONENTS (2)(FOR 6030)

No.	Parts No.	Parts name	Remarks	Level	Cons	Qty
95	SM8060552TP	SCREW M6 L=5				12
96	SM6040602TP	SCREW M4 L=6				4

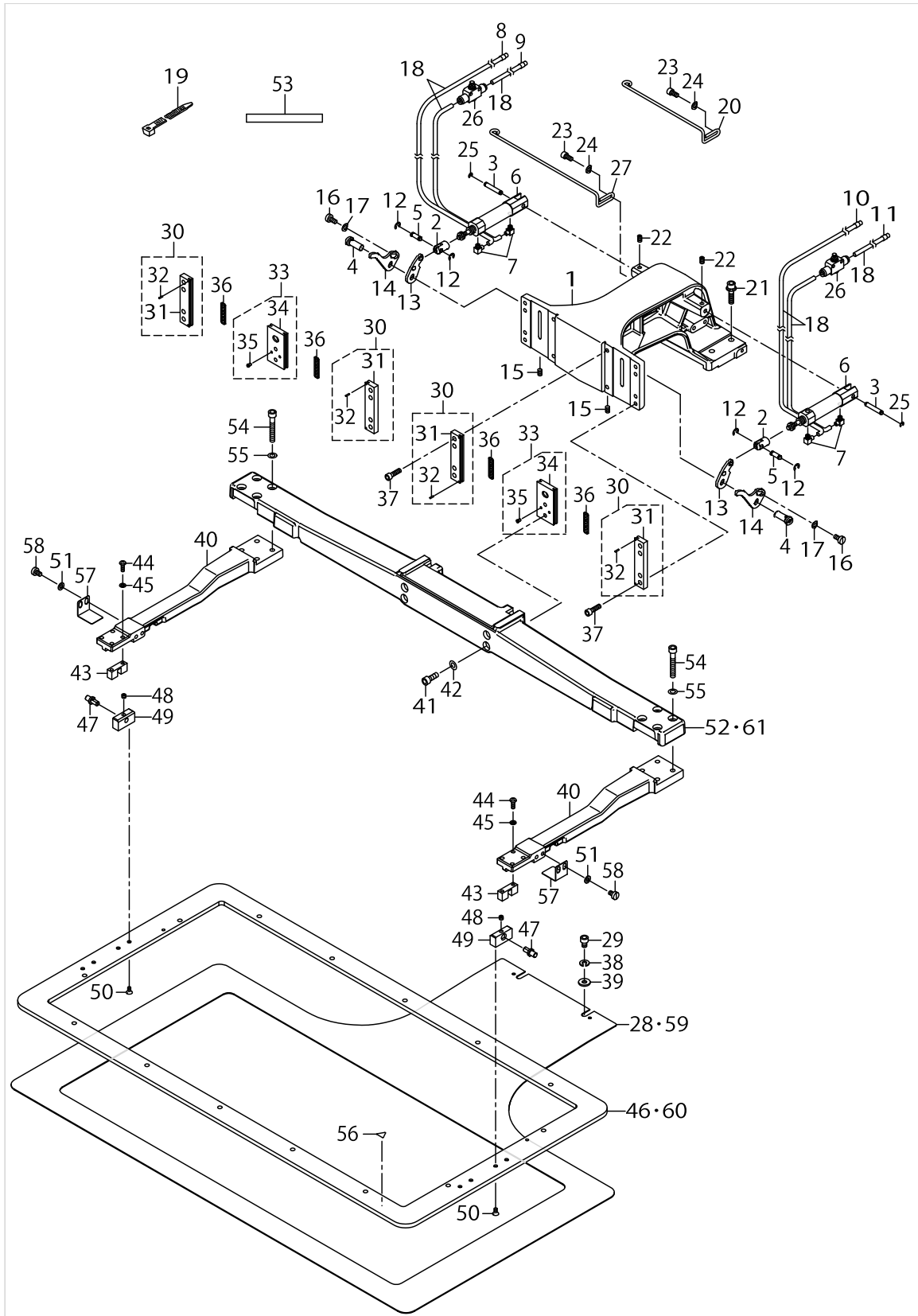
X-Y COMPONENTS (3)



X-Y COMPONENTS (3)

No.	Parts No.	Parts name	Remarks	Level	Cons	Qty
1	B2525223C00	X DRIVE WHEEL				1
2	B2526223C00	Y DRIVE WHEEL				1
3	SB412000100	BEARING				1
4	B2537221D00	Y DRIVE WHEEL SPACER				3
5	40072155	X MOTOR INSTALLING PLATE				1
6	SM6051602TP	SCREW M5X0.8 L=16				4
7	SM8060602TP	SCREW M6X6				2
8	SM8060602TP	SCREW M6X6				2
9	SM6051402TP	SCREW M5X0.8 L=14				8
10	WP0531000SD	WASHER M5				4
11	40104419	ENCODER MOTOR ASM.(X-Y)				2
12	WP0531000SD	WASHER M5				8

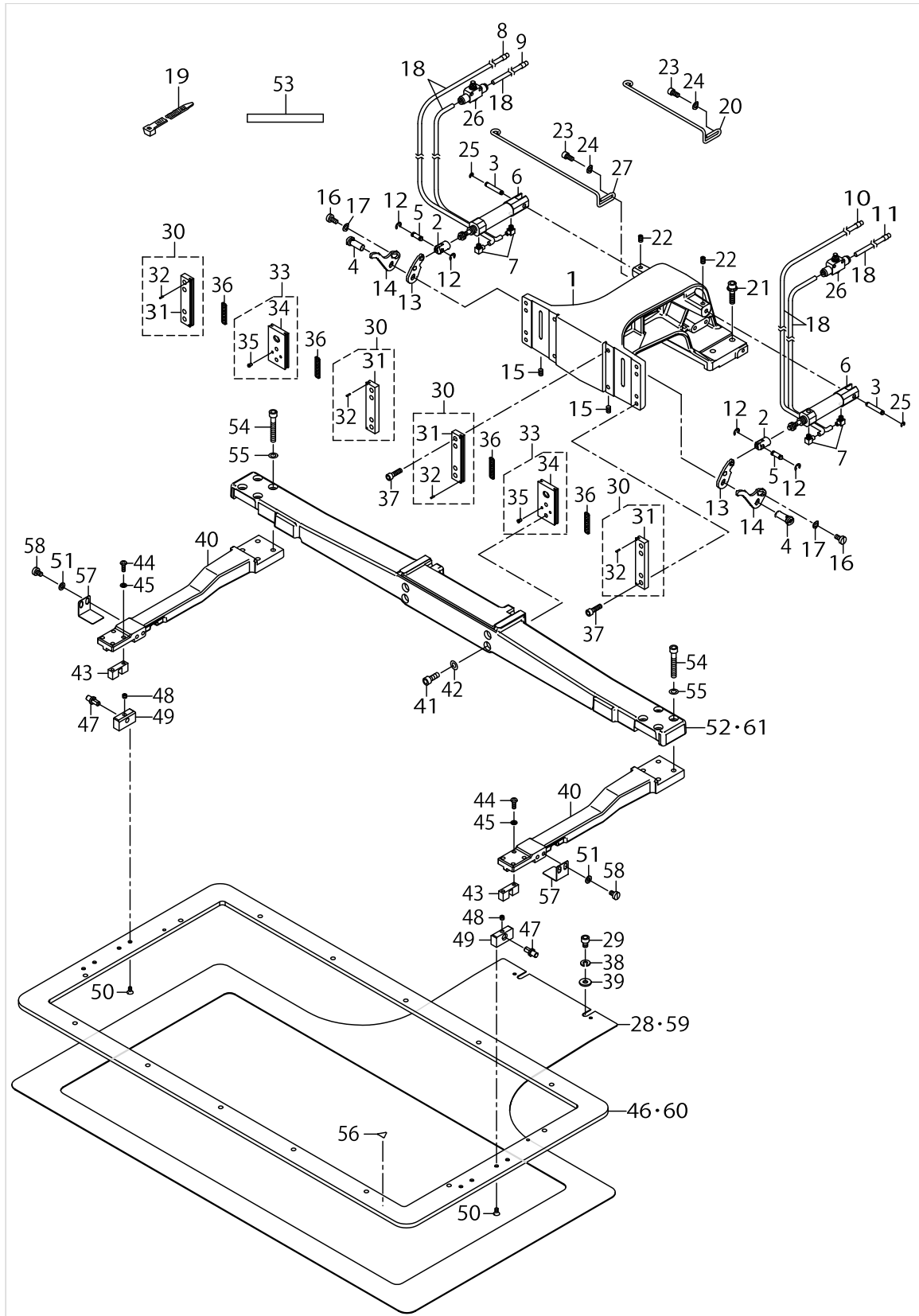
CLOTH FEED MECHANISM COMPONENTS



CLOTH FEED MECHANISM COMPONENTS

No.	Parts No.	Parts name	Remarks	Level	Cons	Qty
1	40072135	CLOTH FEED BASE				1
2	40023644	CYLINDER KNUCKLE				2
3	B1504210000	CONNECTING SHAFT				2
4	26023408	FEED STUD				2
5	40023635	CYLINDER PIN				2
6	PA1602509A0	AIR CYLINDER				2
7	PJ046052503	HOSE ELBOW				4
8	B471122000C	AIR TUBE LABEL J03 LEFT				1
9	B471122000D	AIR TUBE LABEL J04 LEFT				1
10	B471122000G	AIR TUBE LABEL J03 RIGHT				1
11	B471122000H	AIR TUBE LABEL J04 RIGHT				1
12	RE0300000K0	E-RING 3				4
13	40032229	LIFTING_LEVER_A				2
14	40085820	LIFTING_LEVER_B				2
15	SM8050812TP	SCREW M5X8				2
16	SM6051000SP	SCREW				2
17	WP0531000SD	WASHER M5				2
18	BT0400251EB	URETHANE HOSE BLACK				4
19	HX002330000	CLIP				10
20	B2568223C00	AIR TUBE SUPPORT				1
21	SL6062592TN	SCREW				4
22	SM8050812TP	SCREW M5X8				2
23	SM6051002TP	SCREW M5X0.8 L=10				4
24	WP0531000SD	WASHER M5				4
25	RE0320000K0	E-RING 3.2				2
26	PC012401000	SPEED CONTROLLER				2
27	B2568224C00	AIR TUBE SUPPORT A				1
28	40072136	LOWER PLATE 4530	FOR 4530			1
29	SM6060802TP	SCREW M6 L=8				2
30	B2567223CA0	WORK CLAMP FOOT PLATE B ASM.				4
31	B2567223C00	WORK CLAMP FOOT PLATE B		*		4
32	PS0150065KP	SPRING PIN 1.5X6		*		8
33	40085830	SLIDE_PLATE_ASM.				2
34	40085824	SLIDE_PLATE		*		2
35	B1816280000	GUIDE PIN		*		4
36	B2569229000	SLIDING PLATE BEARING				4
37	SM6051802TP	SCREW M5 L=18				12
38	WS0610002KP	SPRING WASHER				2
39	WP0611626SP	WASHER 15X6X1.6				2
40	40072163	FEEDING_FRAME_ARM_B				2
41	SM6061602TP	SCREW M6 L=16				4
42	WP0641600SC	WASHEW 6.4X12.5X1.6				4
43	40051770	FEEDING FRAME BALL CATCH				2
44	SM4041255SP	SCREW M4 L=12				4
45	WP0450000SD	WASHER 4.5X8X0.5				4
46	40072138	FEEDING FRAME 4530	FOR 4530			1
47	B2560220000	SUPPORT PIN				2

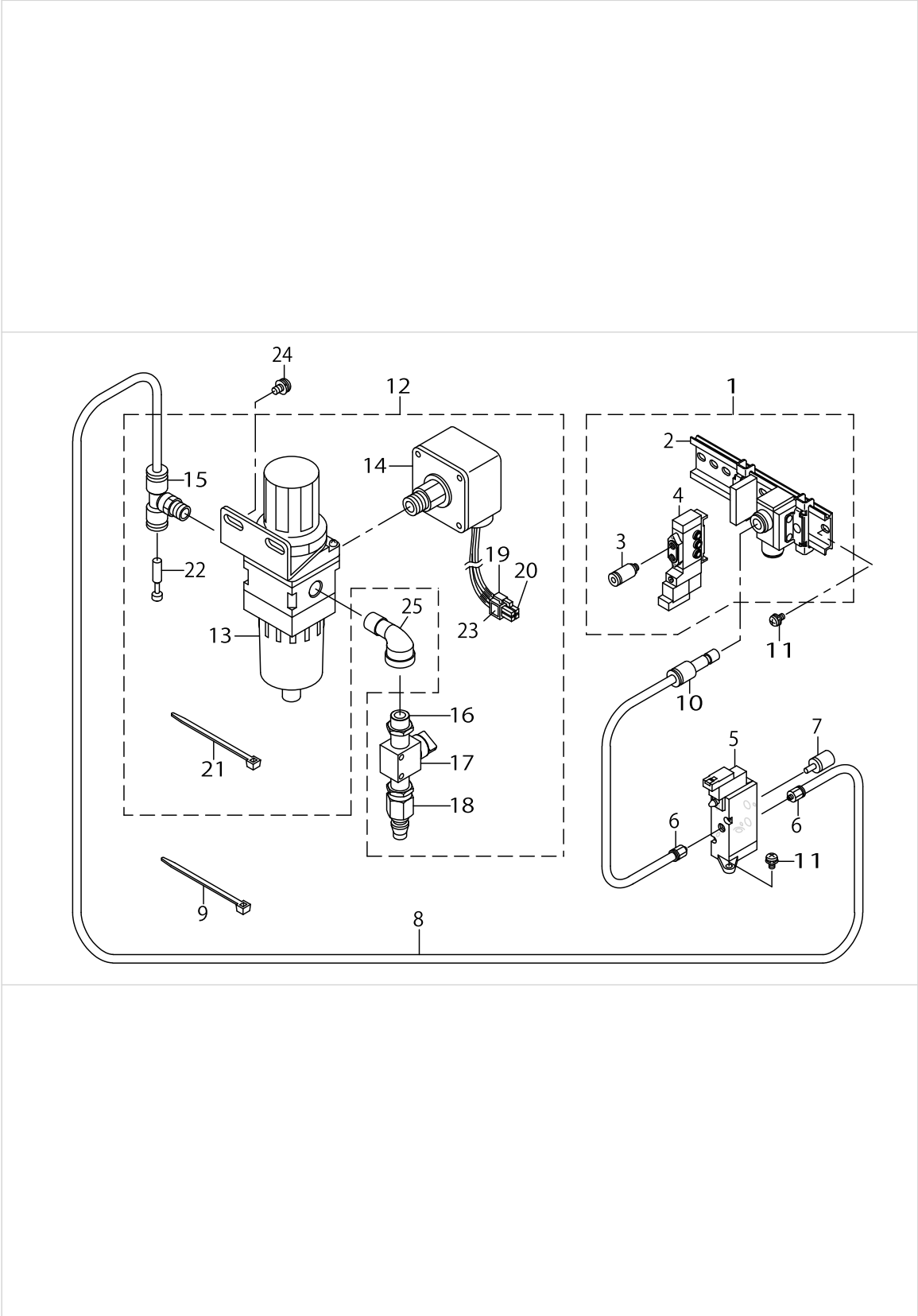
CLOTH FEED MECHANISM COMPONENTS



CLOTH FEED MECHANISM COMPONENTS

No.	Parts No.	Parts name	Remarks	Level	Cons	Qty
48	SM8050412TP	SCREW M5 L=4				2
49	40051769	FEEDING FRAME SUPPORT BEARING				2
50	SM1040870TP	SCREW				4
51	WP0531000SD	WASHER M5				4
52	40072161	FEEDING_FRAME_ARM_A_4530	FOR 4530			1
53	HX00364000E	PARTS				1.2
54	SM6062502TN	HEXAGONAL-HOLE BOLT				8
55	WP0641600SC	WASHEW 6.4X12.5X1.6				8
56	CM300200003	ATTENTION LABEL				1
57	B2563215000	FEEDING FRAME HOLDING PLATE				2
58	SM6050800SP	SCREW M5 L=8				4
59	40072137	LOWER PLATE 6030	FOR 6030			1
60	40072139	FEEDING FRAME 6030	FOR 6030			1
61	40072162	FEEDING_FRAME_ARM_A_6030	FOR 6030			1

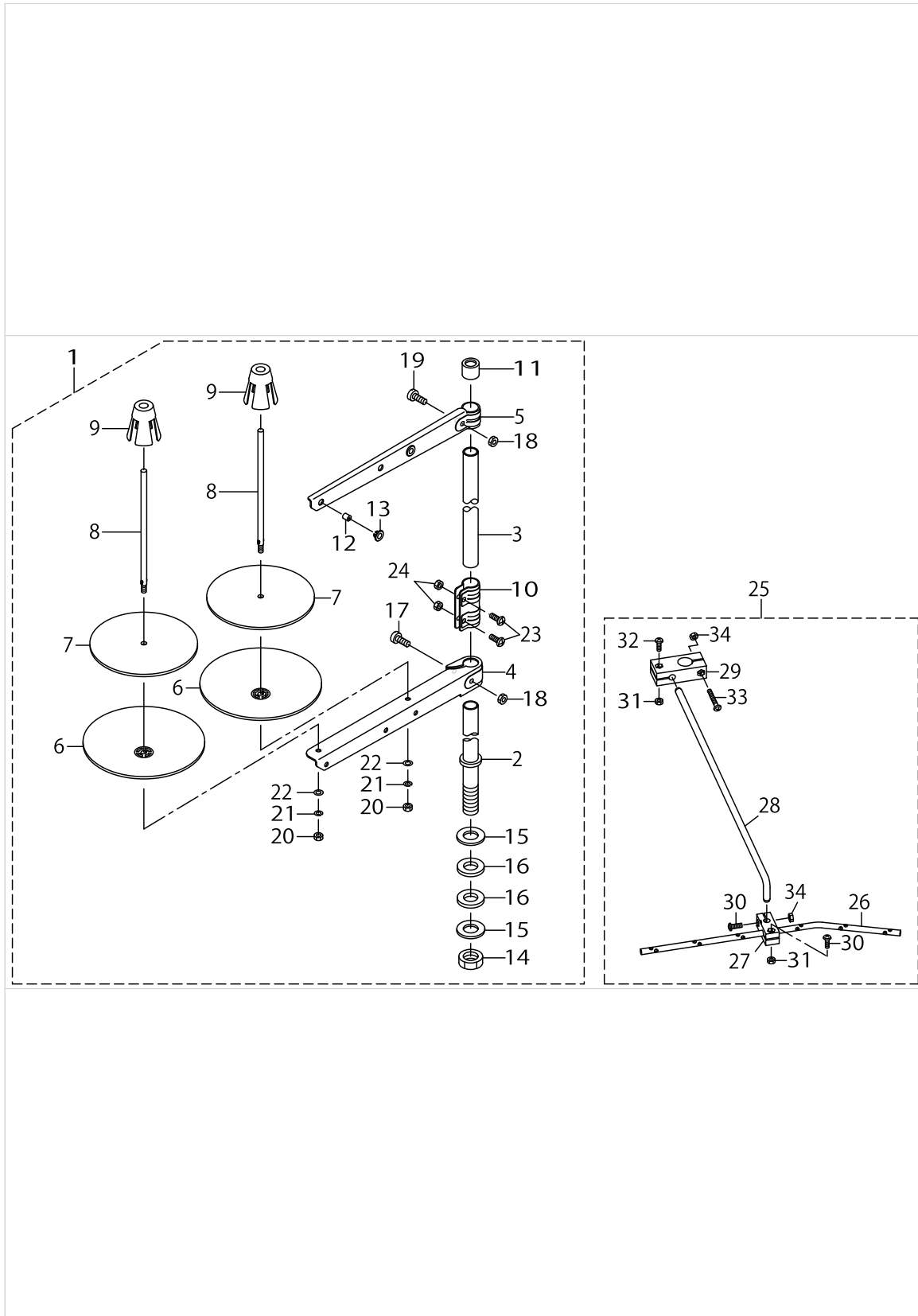
PNEUMATIC COMPONENTS



PNEUMATIC COMPONENTS

No.	Parts No.	Parts name	Remarks	Level	Cons	Qty
1	40072220	SOLENOID_VALVE_ASM				1
2	PV915005000	SOLENOID VALVE INSTALLING BASE		*		1
3	PJ301040505	HALF UNION		*		2
4	PV150209100	SOLENOID VALVE		*		1
5	PV1351270A0	3-WAY SOLENOID VALVE				1
6	PJ301065103	HALF UNION 6XPT1/8				2
7	PX055104000	SILENCER (PT1/8)				1
8	BT0600401EB	TUBE				1.1
9	EA9500B0100	CABLE BAND				1
10	PJ301060003	REDUCER				1
11	SL4040891SC	SCREW M4 L=8				4
12	B47152150A0	FILTER REGULATOR ASM.				1
13	PF0552040B0	FILTER REGULATOR		*		1
14	G8124270000	AIR PRESSUE SWITCH		*		1
15	PJ305065202	TEE		*		1
16	PJ030520001	RING JOINT (NIPPLE)		*		1
17	G5430116000	AIR COCK		*		1
18	PJ309005203	QUICK JOINT PLUG		*		1
19	HK034610040	HOUSING		*		1
20	HK034640000	PIN CONTACT		*		3
21	EA9500B0100	CABLE BAND		*		5
22	PX950009000	PLUG		*		1
23	E2678453000	CONNECTOR MARKER J78		*		1
24	SL4051091SC	SCREW M5X0.8 L=10				2
25	PJ042520002	ELBOW				1

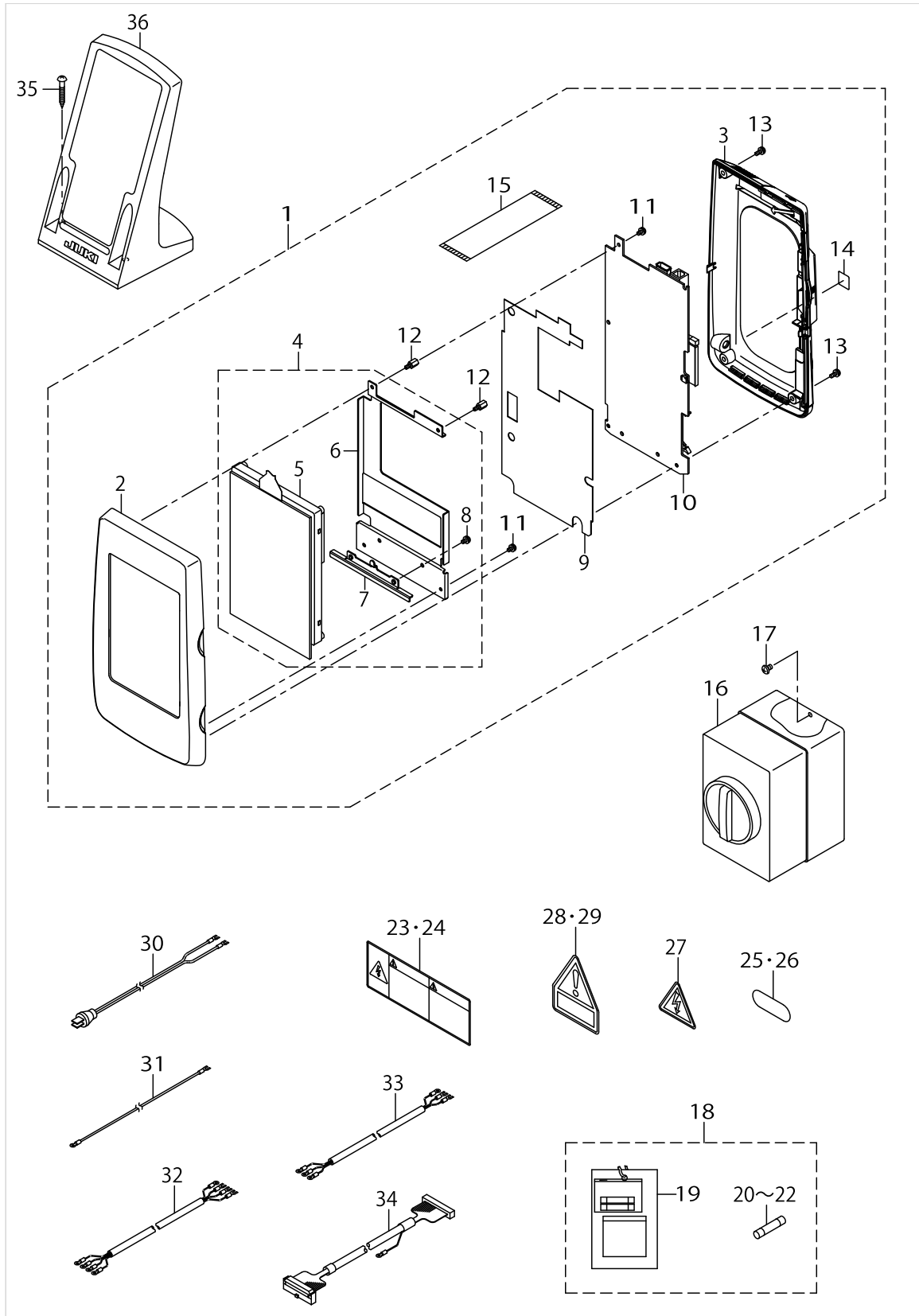
THREAD STAND COMPONENTS



THREAD STAND COMPONENTS

No.	Parts No.	Parts name	Remarks	Level	Cons	Qty
1	40096354	THREAD STAND ASM.				2
2	40085784	SPOOL REST ROD LOWER		*		2
3	40085785	SPOOL REST ROD UPPER		*		2
4	40085786	SPOOL REST ARM LOWER		*		2
5	40085787	SPOOL REST ARM UPPER		*		2
6	40085788	SPOOL REST		*		4
7	40085789	SPOOL REST CUSHION		*		4
8	40085790	SPOOL PIN		*		4
9	40085791	SPOOL RETAINER		*		4
10	40085792	SPOOL REST ROD JOINT		*		2
11	40085793	SPOOL REST ROD RUBBER CAP		*		2
12	40085794	THREAD GUIDE		*		4
13	40085795	THREAD GUIDE BUSHING		*		4
14	40096325	SPOOL REST ROD NUT		*		2
15	WP1612616SE	WASHER 16X30X2.6		*		4
16	40085796	SPOOL REST ROD RUBBER CUSHION		*		4
17	40096326	SPOOL REST ARM LOWER SCREW		*		2
18	NM6050001SE	NUT M5		*		4
19	40096327	SPOOL REST ARM UPPER SCREW		*		2
20	NM6050001SE	NUT M5		*		4
21	WS0510002KN	SPRING WASHER M5		*		4
22	WP0531001SC	WASHER M5		*		4
23	SM4051405SE	SCREW M5 L=14		*		4
24	NM6050001SE	NUT M5		*		4
25	26910059	THREAD GUIDE ARM ASM.				1
26	40106583	THREAD GUIDE 6		*		1
27	40106580	THREAD GUIDE UNDER BASE		*		1
28	40106576	THREAD GUIDE ARM		*		1
29	40106579	THREAD GUIDE ARM BASE		*		1
30	SM4041201SC	SCREW_M4X0.7_L=12		*		2
31	NM6040002SE	NUT M4X0.7		*		2
32	SM4041201SC	SCREW_M4X0.7_L=12		*		1
33	SM4042501SC	SCREW M4X0.7 L=25		*		1
34	NM6040002SE	NUT M4X0.7		*		2

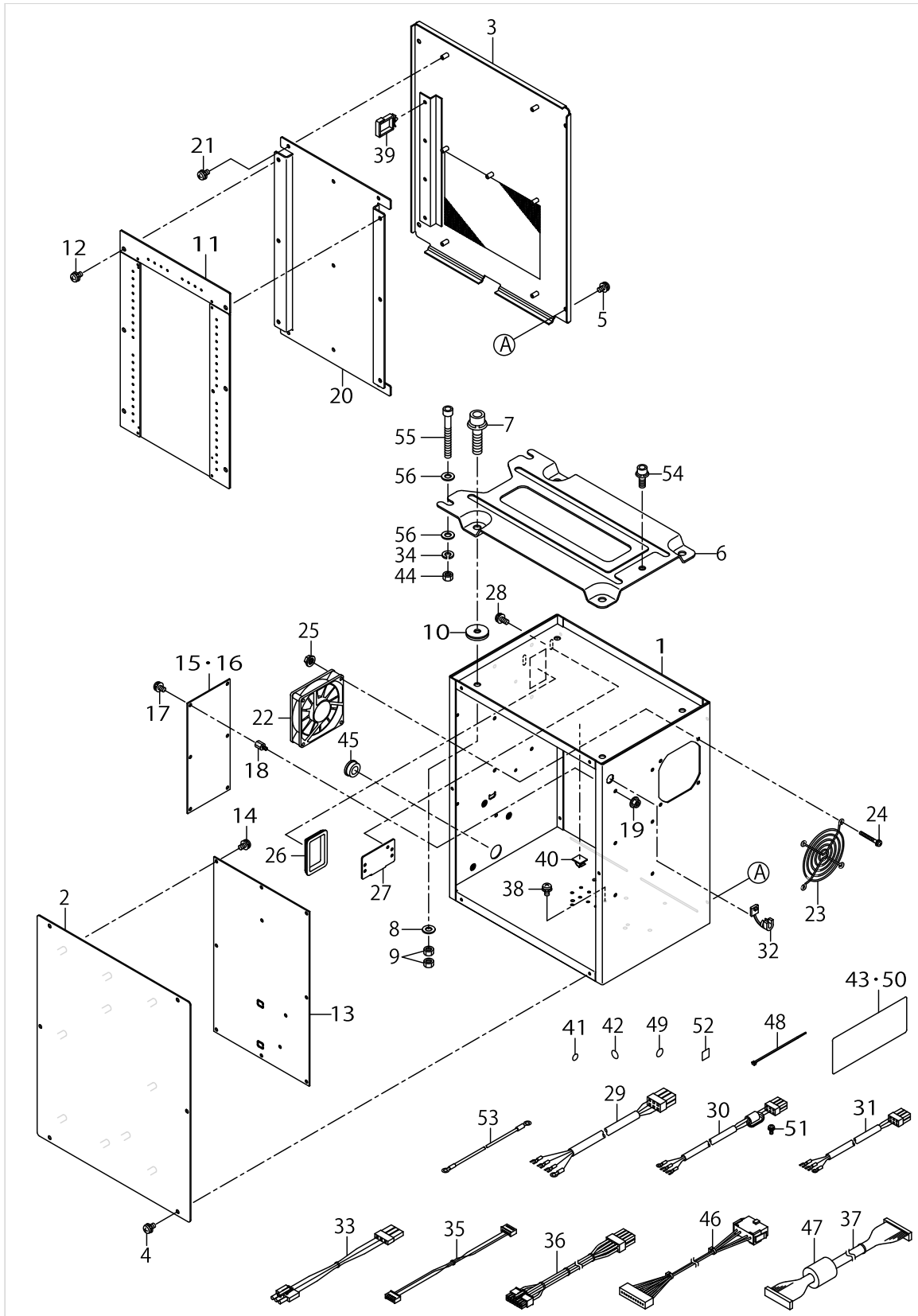
OPERATION PANEL COMPONENTS



OPERATION PANEL COMPONENTS

No.	Parts No.	Parts name	Remarks	Level	Cons	Qty
1	40086485	IP-420F PANEL ASSY				1
2	40078163	FRONT_CASE		*		1
3	40080799	REAR_CASE_ASSY		*		1
4	40080800	LCD_ASSY		*		1
5	40086541	LCD TOUCH PANEL ASSY		*		1
6	40083668	LCD_BRACKET		*		1
7	40083666	LCD_STAY		*		1
8	SL4030681SC	SCREW M3 L=6		*		2
9	40078168	INSULATION_SHEET		*		1
10	40166481	PANEL PCB ASSY		*		1
11	SL4030681SC	SCREW M3 L=6		*		3
12	HX00354000B	PCB SUPPORT L=8MM		*		2
13	SL4030881SC	SCREW M3X8		*		4
14	CM600100101	WEEE MARK LABEL S		*		1
15	HW002650330	FLAT CABLE		*		1
16	HA005820000	SWITCH				1
17	SL4041091SE	SCREW M4 L=10				2
18	40074051	OPTION A ASSY				1
19	M300451100A	VOLTAGE INDICATION CARD A		*		1
20	HF00130315S	FUSE 3.15A 250V REF. NO.112		*		1
21	HF003000200	FUSE 2A (220/240V)		*		1
22	HF0013050P0	FUSE 5A		*		1
23	CM300100401	LABEL 3 (LARGE)	FOR USE IN JAPAN(1-PHASE)			1
24	CM300100401	LABEL 3 (LARGE)	FOR USE IN JAPAN,JA			1
25	BME01100000	VOLTAGE INDICATION SEAL	FOR USE IN JAPAN(1-PHASE)			1
26	BME03200000	VOLTAGE INDICATION SEAL	FOR USE IN JAPAN,JA			1
27	CM300100003	VOLTAGE WARNING LABEL(25)	FOR JE,GENERAL EXPORT			1
28	CM300400701	VOLTAGE CAUTION LABEL	FOR USE IN JAPAN,JA			1
29	CM300400601	VOLTAGE CAUTION LABEL	FOR JE,GENERAL EXPORT			1
30	40086468	POWER CABLE 1P PLUG ASSY	FOR USE IN JAPAN(1-PHASE)			1
31	M90345800A0	GROUND CORD ASM.	FOR USE IN JAPAN(1-PHASE)			1
32	40096034	POWER CABLE 3P ASSY	FOR USE IN JAPAN,JA			1
33	40096035	POWER CABLE 1P ASSY	FOR JE,GENERAL EXPORT			1
34	40096051	PANEL CABLE L ASM				1
35	SK3413201SE	WOOD SCREW D=4.1 L=32				2
36	40035024	OPERATION_BOX_FIXED_PLATE(B) ASM				1

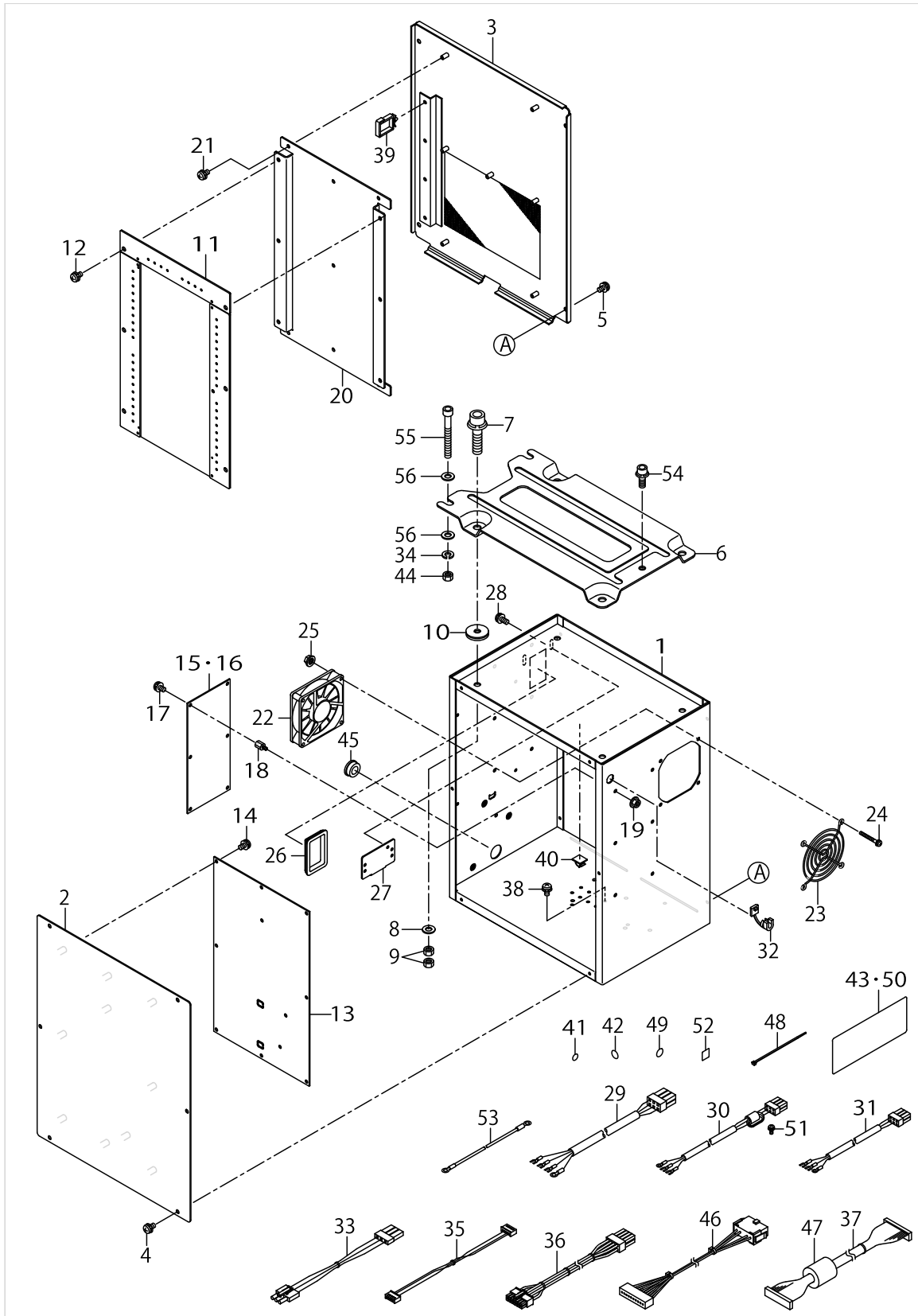
CONTROL BOX COMPONENTS



CONTROL BOX COMPONENTS

No.	Parts No.	Parts name	Remarks	Level	Cons	Qty
1	40055355	CONTROL BOX				1
2	40094018	CONTROL BOX FRONT COVER				1
3	40094019	CONTROL BOX REAR COVER				1
4	SL4040891SC	SCREW M4 L=8				6
5	SL4040891SC	SCREW M4 L=8				4
6	M3801476000	CONTROL BOX FITTING PLATE				1
7	SL6083092TN	SCREW				4
8	WP0841601SC	WASHER 8.4X17.4X1.6				4
9	NM6080001SC	NUT M8X1.25				8
10	M4206461000	WASHER				4
11	40182431	MAIN PCB C ASSY				1
12	SL4040891SC	SCREW M4 L=8				6
13	40082758	SDC PCB A ASSY				1
14	SL4040881SC	SCREW M4 L=8				10
15	40000056	FLT-T PCB A ASS'Y	FOR USE IN JAPAN (1-PHASE 10-0V,1-PHASE 200V), JUS(3-PHASE 200V)			1
16	40162838	FLT-CE PCB A ASSY	FOR CE,GENERAL EXPORT			1
17	SL4040881SC	SCREW M4 L=8				6
18	HX003390000	STUD				6
19	NM3040520SC	NUT M4				6
20	40005706	MAIN PCB HOLDER PLATE				1
21	SL4040881SC	SCREW M4 L=8				5
22	40005401	FAN MOTOR ASS'Y				1
23	KM000000480	FAN MOTOR				1
24	SL4043591SC	SCREW				4
25	NM3040520SC	NUT M4				4
26	HX004070000	BUSH				1
27	17845009	CORD FITTING PLATE				1
28	SL4041091SC	SCREW M4 L=10				2
29	40096030	POWER CORD 3P ASSY	FOR USE IN JAPAN (1-PHASE 10-0V,1-PHASE 200V), JUS(3-PHASE 200V)			1
30	40096031	POWER CORD JE ASSY	FOR CE			1
31	40096032	POWER CORD 1P ASSY	GENERAL EXPORT			1
32	HX00410000A	STRAIN RELIEF BUSHING				1
33	40005393	FLT-SDC CORD P ASS'Y				1
34	WS0820002KN	SPRING WASHER M8				2
35	40005394	FLT-SDC CORD S ASS'Y				1
36	40005726	SDC-MAIN CORD P ASSY				1
37	40005727	SDC-MAIN CORD S ASSY				1
38	SL4040891SC	SCREW M4 L=8				4
39	HX005110000	WIRE SADDLE				3
40	E9607603000	STICKER (SMALL)				1
41	E9567319000	EARTH MARK				1
42	40003458	MASK SEAL				16
43	40051640	ELECTRICAL_RATING_LABEL_UNIVERSAL	FOR USE IN JAPAN (1-PHASE 10-0V,1-PHASE 200V), JUS(3-PHASE 200V), GENERAL EXPORT			1
44	NM6080001SC	NUT M8X1.25				2
45	HX00326000K	GROMMET				1

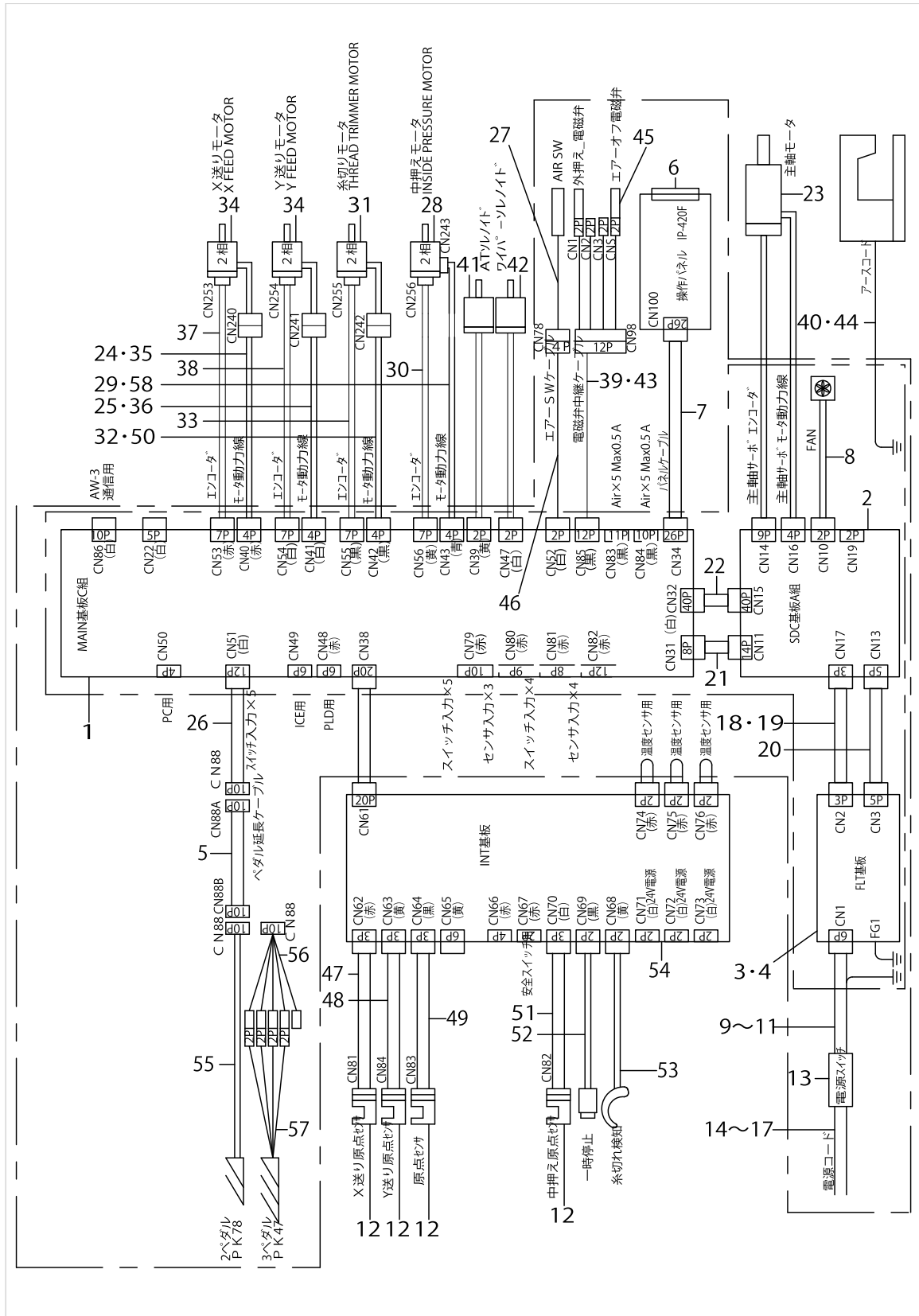
CONTROL BOX COMPONENTS



CONTROL BOX COMPONENTS

No.	Parts No.	Parts name	Remarks	Level	Cons	Qty
46	40073659	SW RELAY CORD ASM.				1
47	HN001490000	CLAMP FILTER(L)				1
48	EA9500B0100	CABLE BAND				1
49	CM200100001	PE MARK LABEL	FOR CE			1
50	40057278	ELECTRICAL_RATING_LABEL_CE_UNIVERSAL	FOR CE			1
51	SL4041081SC	SCREW M4 L=10	FOR CE			1
52	CM600100101	WEEE MARK LABEL S	FOR CE			1
53	M90295800A0	FDD EARTH CORD ASM.				1
54	SL6082092TN	BOLT				1
55	SM6087002TN	SCREW M8 L=70				2
56	WP0841601SC	WASHER 8.4X17.4X1.6				4

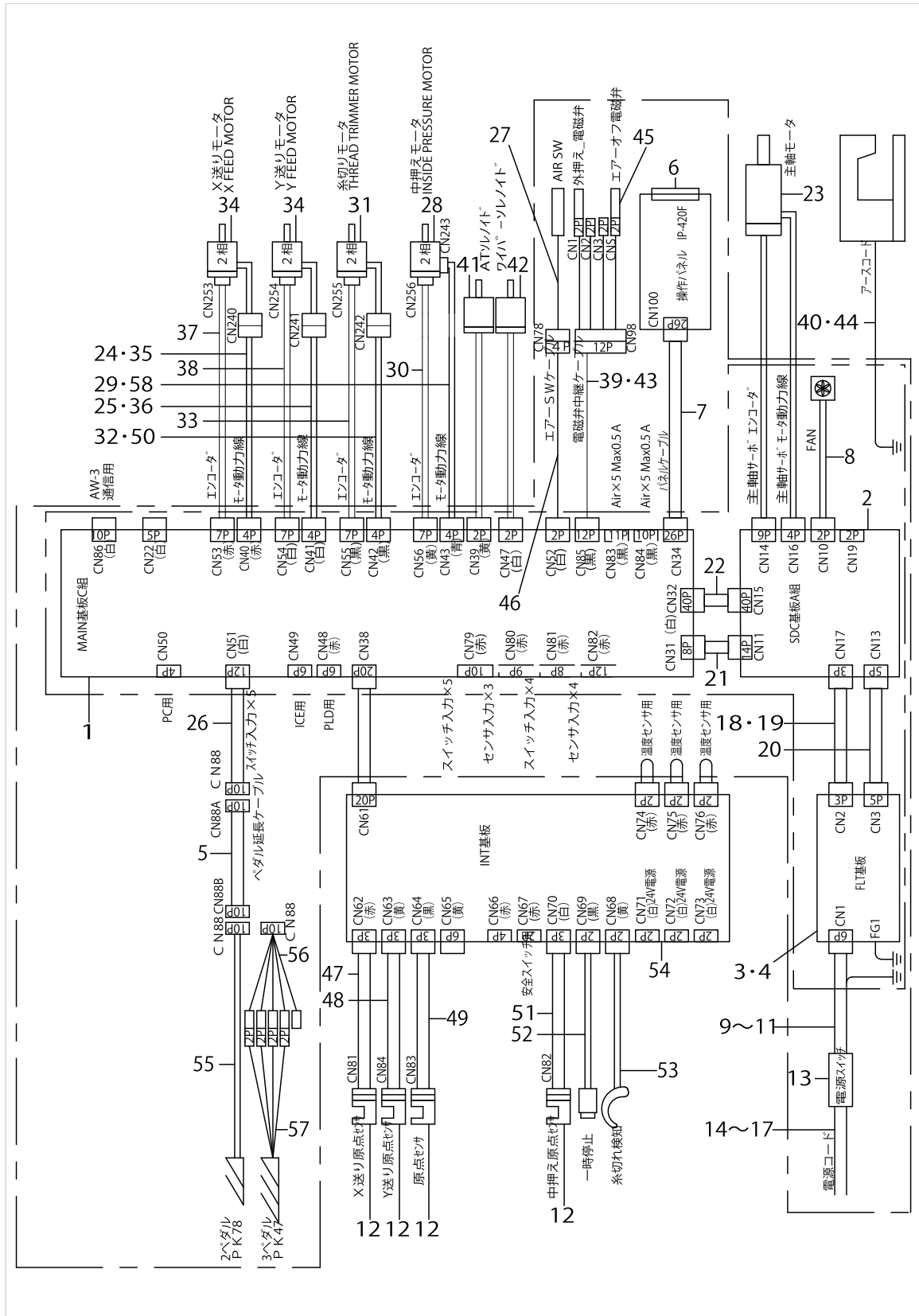
WIRING DIAGRAM



WIRING DIAGRAM

No.	Parts No.	Parts name	Remarks	Level	Cons	Qty
1	40182431	MAIN PCB C ASSY				1
2	40082758	SDC PCB A ASSY				1
3	40000056	FLT-T PCB A ASS'Y	FOR 1-PHASE/3-PHASE			1
4	40162838	FLT-CE PCB A ASSY	FOR CE,GENERAL EXPORT			1
5	40111079	PEDAL EXTENSION CABLE ASM.				1
6	40086485	IP-420F PANEL ASSY				1
7	40096051	PANEL CABLE L ASM				1
8	40005401	FAN MOTOR ASS'Y				1
9	40096030	POWER CORD 3P ASSY	FOR 3-PHASE			1
10	40096031	POWER CORD JE ASSY	FOR CE			1
11	40096032	POWER CORD 1P ASSY	FOR 1-PHASE			1
12	HD00057000A	PHOTO SENSOR				4
13	HA005820000	SWITCH				1
14	40086468	POWER CABLE 1P PLUG ASSY	FOR USE IN JAPAN (1-PHASE 100V)			1
15	40096034	POWER CABLE 3P ASSY	FOR 3-PHASE(200V/220V)			1
16	40096035	POWER CABLE 1P ASSY	FOR CE			1
17	40096050	POWER CABLE 1P ASSY	FOR 1-PHASE(GENERAL EXPORT)			1
18	40005393	FLT-SDC CORD P ASS'Y				1
19	40163025	REACTOR CORD ASSY	FOR CE			1
20	40005394	FLT-SDC CORD S ASS'Y				1
21	40005726	SDC-MAIN CORD P ASSY				1
22	40005727	SDC-MAIN CORD S ASSY				1
23	40052937	550W_SERVO_MOTOR				1
24	40163253	X MOTOR CABLE ASM	FOR CE			1
25	40163254	Y MOTOR CABLE ASM	FOR CE			1
26	40073659	SW RELAY CORD ASM				1
27	B47152150A0	FILTER REGULATOR ASM.				1
28	40071942	STEPPING MOTOR				1
29	40073623	IP MOTOR CABLE ASM				1
30	40073640	IP ENCODER CABLE ASM				1
31	40071944	STEPPING MOTOR				1
32	40073622	TT MOTOR CABLE ASM				1
33	40073639	TT ENCODER CABLE ASM				1
34	40071945	STEPPING MOTOR				2
35	40073620	X MOTOR CABLE ASM				1
36	40073621	Y MOTOR CABLE ASM				1
37	40073632	X ENCODER CABLE ASM				1
38	40073638	Y ENCODER CABLE ASM				1
39	40163258	AIR RELAY CABLE ASM.	FOR CE			1
40	40163063	EARTH CODE ASM	FOR CE			1
41	40073660	AT SOLENOID				1
42	40072151	WIPER ASM				1
43	40108280	AIR RELAY CABLE ASM				1
44	14115554	HEAD GROUND CABLE A ASM.				1
45	40048529	VALVE RERAY CORD ASM				1
46	40075391	AIR SW CABLE ASM				1

WIRING DIAGRAM



WIRING DIAGRAM

No.	Parts No.	Parts name	Remarks	Level	Cons	Qty
47	40073671	X SENSOR CABLE ASM				1
48	40073672	Y SENSOR CABLE ASM				1
49	40040238	PF_SENSOR_CABLE_ASM				1
50	40163255	TT MOTOR CABLE ASM	FOR CE			1
51	40073675	IP_SENSOR_CABLE_ASM.				1
52	40073676	STOP SW ASM				1
53	40073678	THB SENSOR CABLE ASM				1
54	40040230	INT PCB ASM				1
55	40033831	PK78 PEDAL SWITCH ASM				1
56	40033875	PK47 RELAY CABLE ASM	OPTIONAL PARTS			1
57	GPK470010AB	3-PEDAL ASM.	OPTIONAL PARTS			1
58	40163256	IP MOTOR CABLE ASM	FOR CE			1

TABLE COMPONENTS

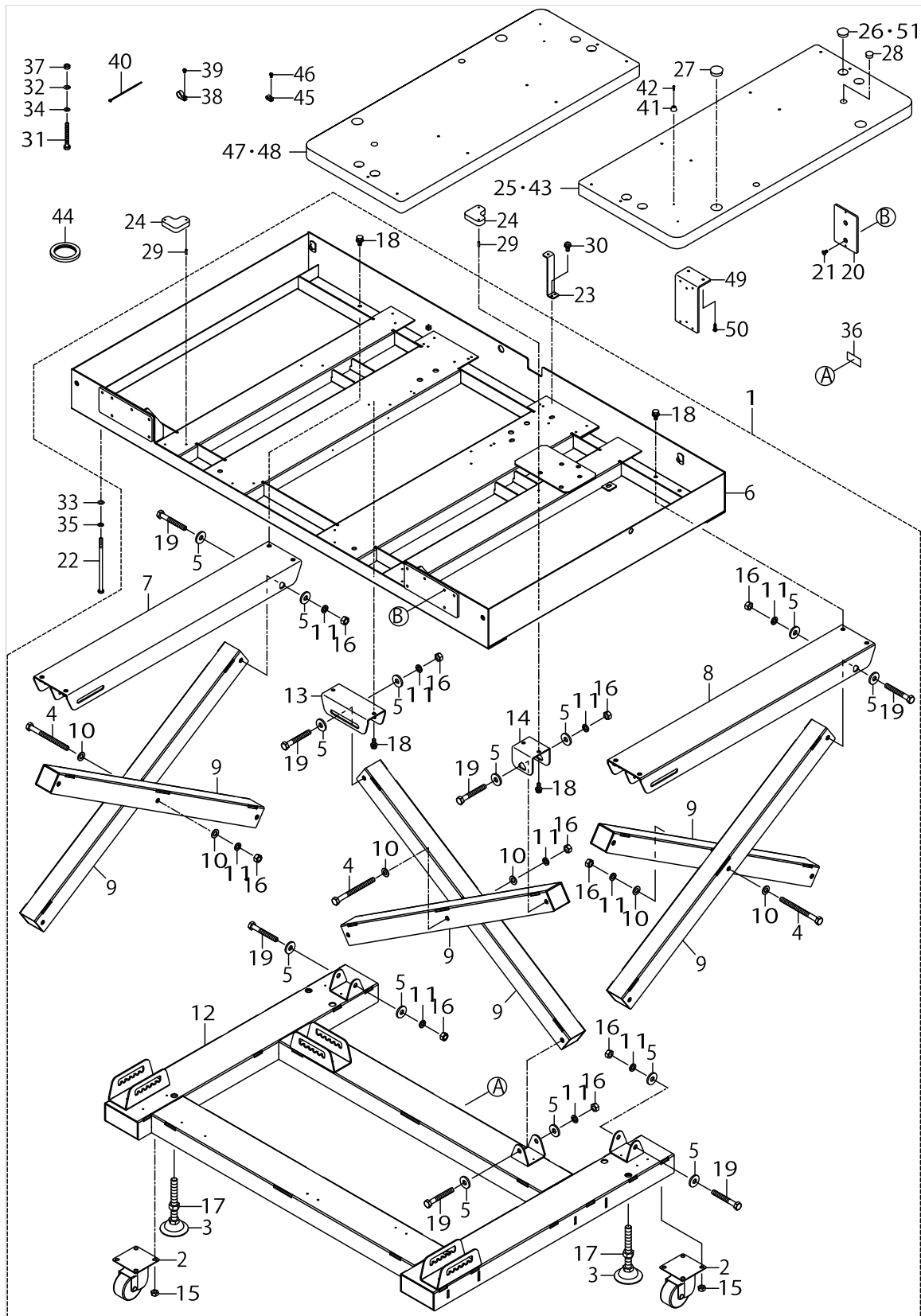


TABLE COMPONENTS

No.	Parts No.	Parts name	Remarks	Level	Cons	Qty
1	40182660	STAND ASM				1
2	40072077	CASTER		*		4
3	40072087	ADJUSTER		*		4
4	40072206	BOLT		*		3
5	40072223	WASHER LARGE		*		24
6	40073222	UPPER_STAND		*		1
7	40073224	TOP_BASE_L		*		1
8	40073225	TOP_BASE_R		*		1
9	40073226	CROSS_LEG		*		6
10	WP1302501SC	WASHER 13X24X2.5		*		6
11	WS1220002KN	SPRING WASHER		*		15
12	40073227	BASE		*		1
13	40073230	BRACKET_BT		*		1
14	40073231	BRACKET_B		*		1
15	NM6100001SE	NUT FOR SPRING ADJUSTING BOLT		*		16
16	NM6120001SE	NUT M12		*		15
17	NM6160001SC	NUT		*		4
18	SL9082093SE	SCREW		*		12
19	SM9129013SB	SCREW M12 L=90		*		12
20	40073216	SW_BASE_JE	FOR 4530			1
21	SM1061201SN	SCREW M6 L=12	FOR 4530			2
22	B8117223C00	BOLT				4
23	B8118223C00	COVER INSTALLING STAY				4
24	B8171223C00	RUBBER ABSORBER				8
25	40136163	TABLE_ASM				1
26	HX00326000B	BUSH	FOR 4530			4
27	HX00326000M	DOME PLUG				3
28	HX00326000G	PLUG				3
29	PS0400141KH	SPRING PIN 4X14				16
30	SL4041091SC	SCREW M4 L=10				8
31	SM9087533SC	SCREW M8 L=75				2
32	WP0841601SC	WASHER 8.4X17.4X1.6				2
33	WP0841601SC	WASHER 8.4X17.4X1.6				4
34	WS0820002KN	SPRING WASHER M8				2
35	WS0820002KN	SPRING WASHER M8				4
36	16870206	GRAVITY SEAL				2
37	NM6080001SC	NUT M8X1.25				2
38	HX00150000H	CABLE CLIP				3
39	SL4040891SC	SCREW M4 L=8				3
40	EA9500B0100	CABLE BAND				2
41	40072231	STOPPER_RUBBER				2
42	SK3271301SE	WOOD SCREW D=2.7 L=13				2
43	40089584	TABLE ASM.	FOR CA			1
44	40090431	RUBBER				4
45	HX00150000B	CABLE CLIP				1
46	SL4041091SC	SCREW M4 L=10				1
47	40182651	TABLE_ASM				1

TABLE COMPONENTS

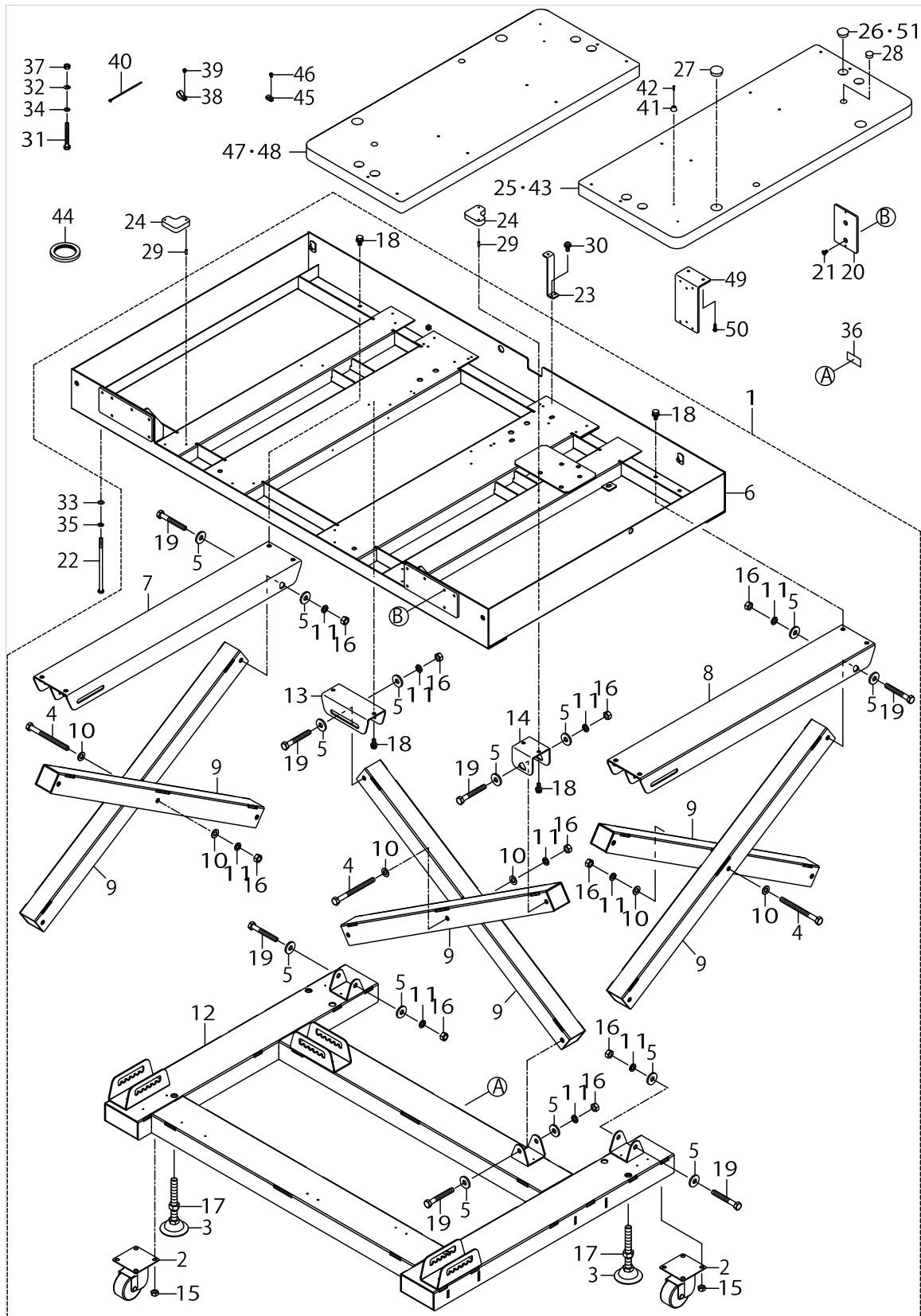
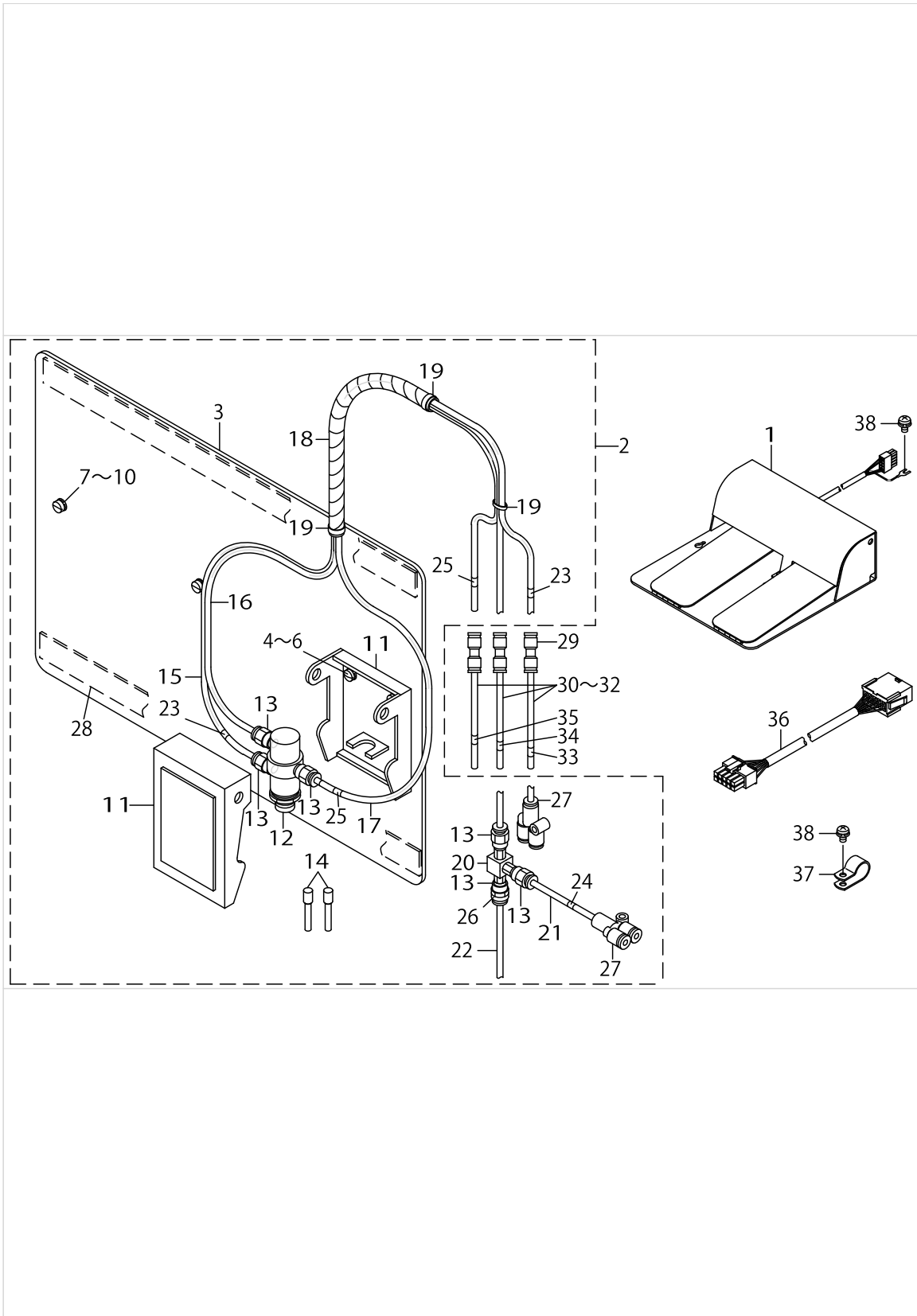


TABLE COMPONENTS

No.	Parts No.	Parts name	Remarks	Level	Cons	Qty
48	40182695	TABLE ASM_CA	FOR CA			1
49	40081603	SWITCH INSTALLATION BOARD	FOR 6030			1
50	SK3512001SE	WOOD SCREW D=5.1 L=20	FOR 6030			2
51	HX00326000B	BUSH	FOR 6030			6

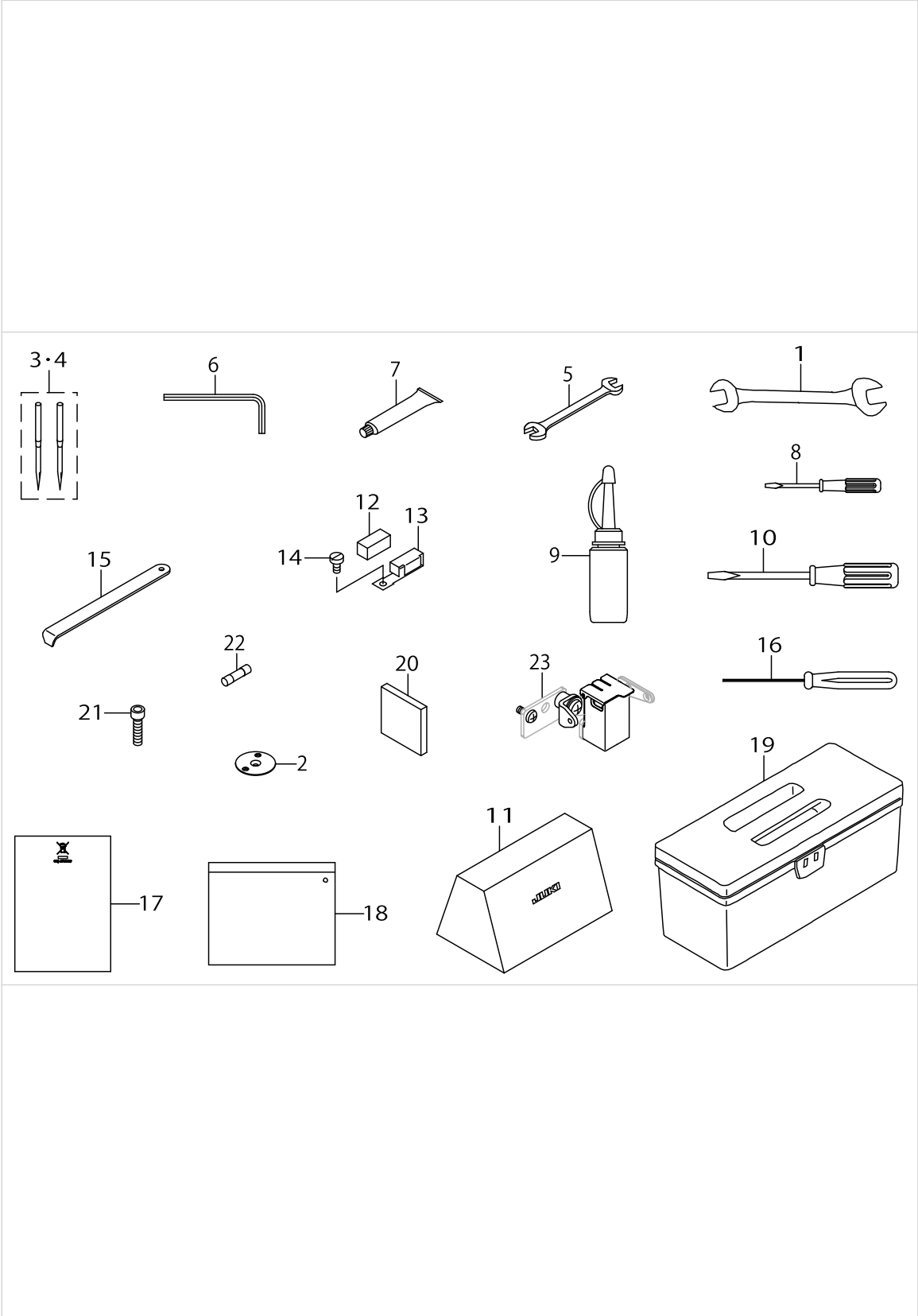
PEDAL COMPONENTS



PEDAL COMPONENTS

No.	Parts No.	Parts name	Remarks	Level	Cons	Qty
1	40033831	PK78 PEDAL SWITCH ASM.				1
2	40042352	MECHANICAL VALVE UNIT				1
3	D8001D15A0Y	PEDAL BASE		*		1
4	WP0450801SD	WASHER 4.5X10X0.8		*		2
5	WS0451040KP	SPRING WASHER 4.5X8.5X1		*		2
6	SS7111120TP	SCREW		*		2
7	SS6111210SP	SCREW 11/64-40 L=12		*		2
8	WP0450801SD	WASHER 4.5X10X0.8		*		2
9	WS0451040KP	SPRING WASHER 4.5X8.5X1		*		2
10	WP0553216SD	WASHER		*		2
11	PX020002000	ACTUATOR		*		1
12	PV010502000	AIR VALVE		*		1
13	PJ301040501	HALF UNION M5 D=4		*		6
14	PX500014000	PLUG		*		2
15	BT0400251EB	URETHANE HOSE BLACK		*		1.9
16	BT0400251EB	URETHANE HOSE BLACK		*		1.8
17	BT0400251EB	URETHANE HOSE BLACK		*		1.9
18	HX00314000A	SPIRAL TUBE		*		0.6
19	EA9500B0100	CABLE BAND		*		3
20	GEP01013000	VALVE		*		1
21	BT0400251EB	URETHANE HOSE BLACK		*		0.1
22	BT0400251EB	URETHANE HOSE BLACK		*		0.1
23	18035204	WIRE MARK (3)		*		2
24	18035303	WIRE MARK (4)		*		1
25	18035600	WIRE MARK (7)		*		2
26	18035709	WIRE MARK (8)		*		1
27	PJ308040002	QUICK COUPLING		*		2
28	D8002D15A0Y	PEDAL CUSHION		*		2
29	PJ303040002	STRAIGHT UNION				3
30	BT0400251EB	URETHANE HOSE BLACK				1.6
31	BT0400251EB	URETHANE HOSE BLACK				1.6
32	BT0400251EB	URETHANE HOSE BLACK				1.6
33	18035204	WIRE MARK (3)				1
34	18035709	WIRE MARK (8)				1
35	18035600	WIRE MARK (7)				1
36	40111079	PEDAL EXTENSION CABLE ASM.				1
37	HX00150000E	CORD PRESSER 3-POLE (220/240V)				1
38	SL4040891SC	SCREW M4 L=8				2

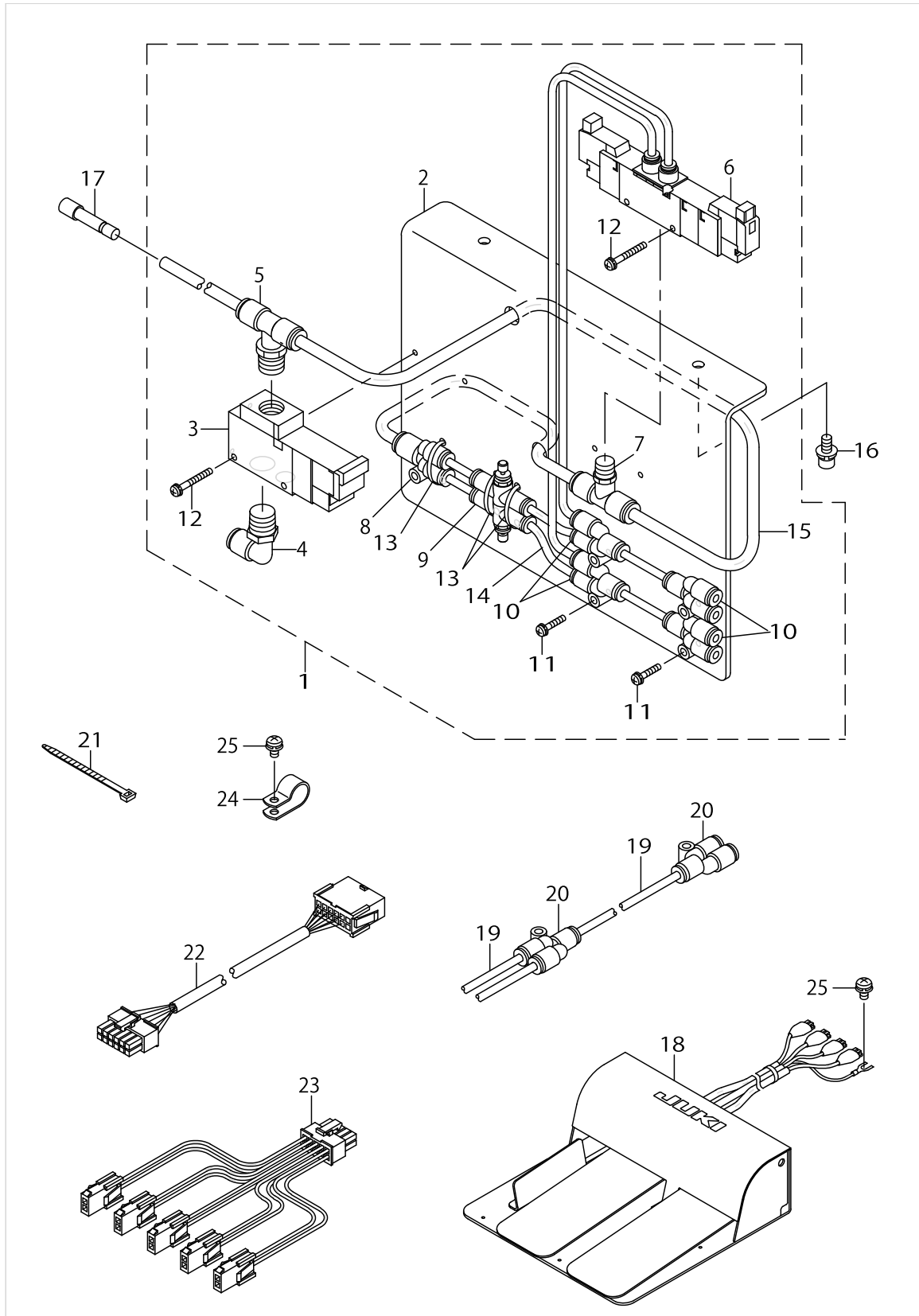
ACCESSORIE PARTS COMPONENTS



ACCESSORIE PARTS COMPONENTS

No.	Parts No.	Parts name	Remarks	Level	Cons	Qty
1	D9103555D00	WRENCH 6X7				1
2	40134981	NEEDLE_HOLE_GUIDE_D=3	TYPE G			1
3	MDP170B2302	NEEDLE DPX17#23-2	FOR ST		☆	1
4	MC372001602	NEEDLE SY3355 #160-2	FOR JE		☆	1
5	B9113012000	WRENCH (9X10)				1
6	B9140372000	HEXAGONAL WRENCH SMALL				1
7	40006323	JUKI GREASE A TUBE				1
8	22933204	SCREW DRIVER SMALL				1
9	B91212200A0	OILER (CONTAINING NO.2 OIL)				1
10	22933105	SCREW DRIVER MIDDLE				1
11	40072154	COVER				1
12	B1131528000	FELT				1
13	10102200	THREAD GUIDE F				1
14	SM6040860TP	SCREW M4 L=8				1
15	B9101490000	DRIVER				1
16	40032763	HEXAGONAL_DRIVER(1.5)				1
17	CM600100201	WEEE INFORMATION SHEET	FOR JE			1
18	22932800	ACCESSORIE BAG				1
19	B8601WP10A0	TOOL BOX ASM.				1
20	40050647	COMPACTFLASH(TM) SET AMS-221E				1
21	SM6052002TP	SCREW M5 L=20				1
22	HF0037060PA	FUSE				1
23	40097301	SILICONE OIL TANK ASM	TYPE G			1

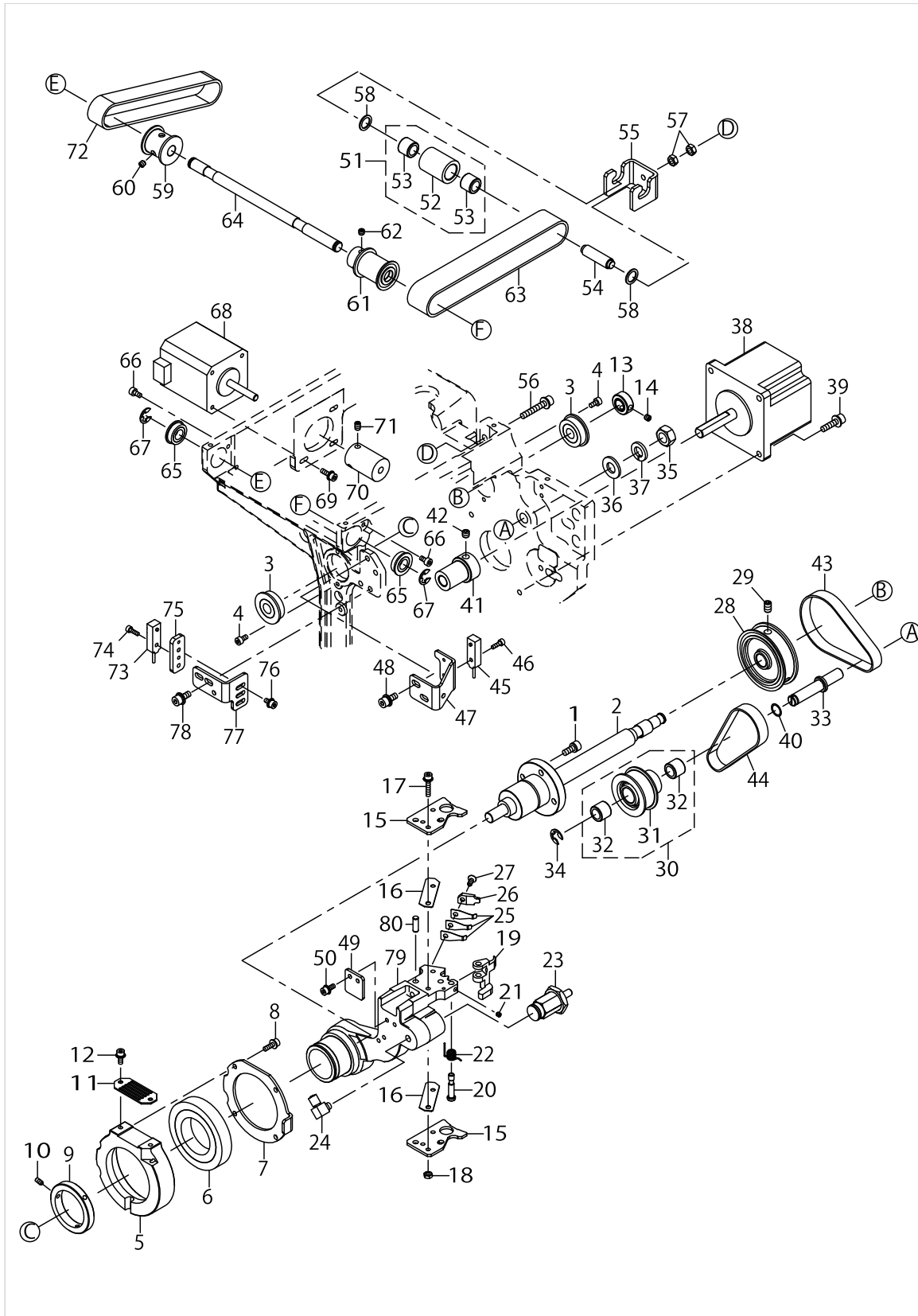
SEPARATE STROKE TYPE EXCLUSIVE PARTS



SEPARATE STROKE TYPE EXCLUSIVE PARTS

No.	Parts No.	Parts name	Remarks	Level	Cons	Qty
1	40076736	SOLENOID_INSTALLING_PLATE_A_ASM.				1
2	40076738	SOLENOID_INSTALLING_PLATE		*		1
3	PV135207000	3-PORT ELECTROMAGNETIC VALVE		*		1
4	PJ304065201	ELBOW UNION 6XPT1/4		*		1
5	PJ305065204	DOUBLE-ENDED T UNION		*		1
6	PV155113000	5-PORT SOLENOID VALVE		*		1
7	PJ305065107	DOUBLE-ENDED T UNION		*		1
8	PJ308060005	DIFFERENT DIAMETER UNION Y		*		1
9	PC012406000	SPEED CONTROLLER		*		2
10	PJ308040002	QUICK COUPLING		*		4
11	SL4031691SC	SCREW M3 L=16		*		4
12	SL4032591SC	SCREW M3X25		*		4
13	EA9500B0100	CABLE BAND		*		3
14	BT0400251EB	URETHANE HOSE BLACK		*		0.6
15	BT0600401EB	TUBE		*		1.1
16	SL6051292TN	BOLT				2
17	PX950001000	PLUG				1
18	GPK470010AB	3-PEDAL ASM.				1
19	BT0400251EB	URETHANE HOSE BLACK				1.7
20	PJ308040002	QUICK COUPLING				4
21	EA9500B0100	CABLE BAND				3
22	40074127	AIR EXTENSION CODE ASM.				1
23	40033875	PK47 RELAY CABLE ASM				1
24	HX00150000E	CORD PRESSER 3-POLE (220/240V)				1
25	SL4040891SC	SCREW M4 L=8				2

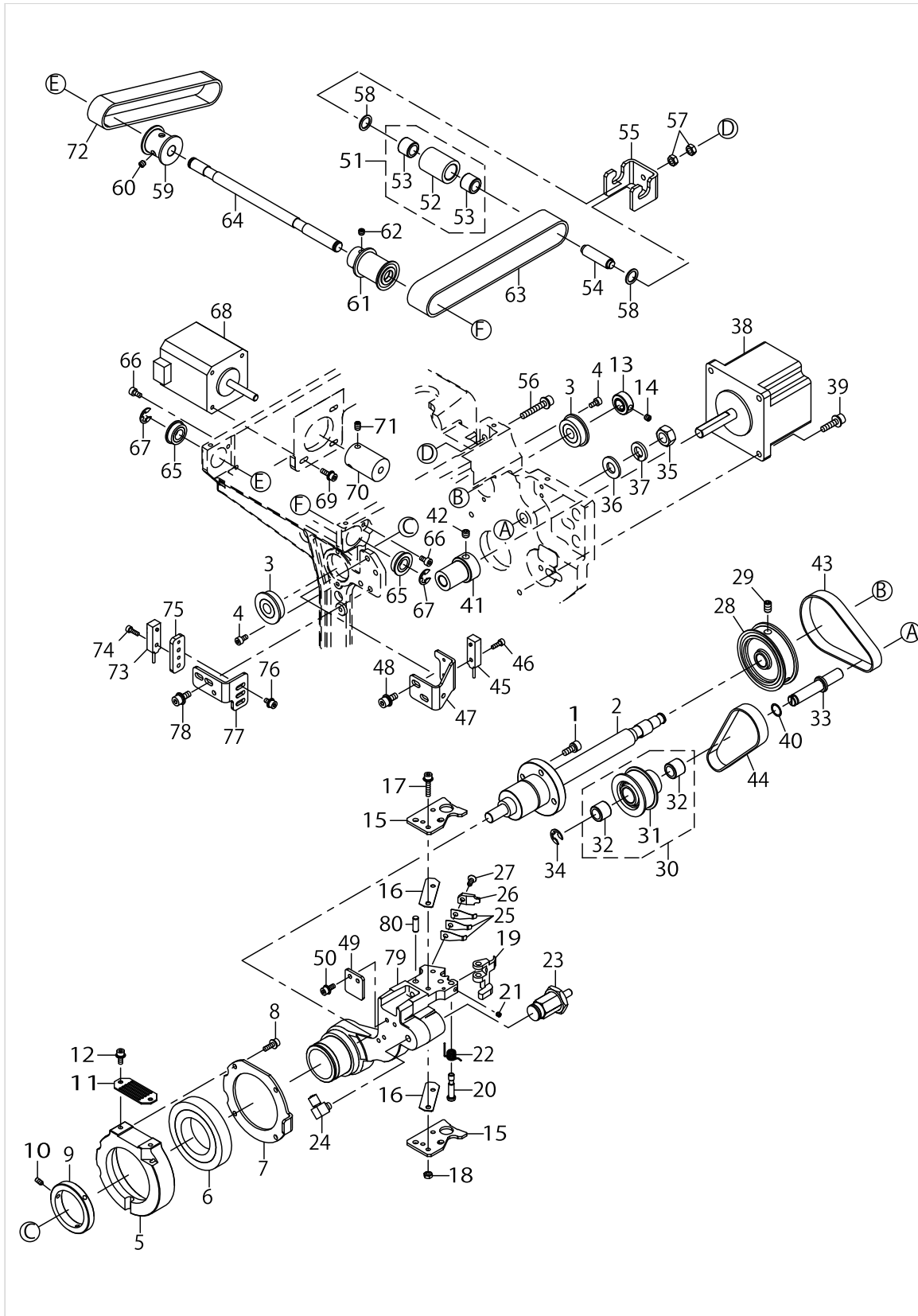
CONVEY UNIT COMPONENTS



CONVEY UNIT COMPONENTS

No.	Parts No.	Parts name	Remarks	Level	Cons	Qty
1	SL6041042TN	SCREW M4 L=10				4
2	40182607	CONVEY_SHAFT				1
3	SB108000500	BEARING				2
4	SM6030602TN	SCREW M3X6				4
5	40182608	CONVEY_RING				1
6	SB230000100	BEARING				1
7	40182609	CONVEY_RING_PLATE				1
8	SL6031092TN	SCREW M3 L=10				4
9	GAW02105000	CONVEY RING COLLAR				1
10	SM8030602TP	SCREW M3X0.5 L=6				3
11	GAW02106000	CONVEY BELT PLATE				1
12	SL6030892TN	SCREW M3 L=8				2
13	GAW02107000	CONVEY SHAFT COLLAR				1
14	SM8040402TP	SCREW M4X0.7 L=4				2
15	GAW02111000	CHUCK BASE PLATE 17				2
16	40032693	CHUCK_BASE_SPACER				2
17	SL6031692TN	SCREW M3 L=16				2
18	NM6030002SC	NUT M3X0.5 TYPE2				2
19	GAW02112000	CHUCK NEIL				1
20	GAW02113000	CHUCK NEIL SHAFT				1
21	SM8030302TP	SCREW M3X3				2
22	GAW02114000	CHUCK NEIL SPRING				1
23	PA1001026A0	PIN CYLINDER				1
24	PJ046052503	HOSE ELBOW				1
25	GAW02115000	CHUCK STOPPER				3
26	GAW02116000	CHUCK STOPPER SUPPORT				1
27	GAW02621000	SCREW M3X8				1
28	GAW02121000	ROTATING PULLEY				1
29	SM8050812TP	SCREW M5X8				2
30	GAW021220A0	ROTATING IDLER PULLEY ASM.				1
31	GAW02122000	ROTATING IDLER PULLEY		*		1
32	GAT23303000	BEARING 8		*		2
33	GAW02123000	ROTATING IDLER SHAFT				1
34	RE0600000K0	E-RING 6				1
35	NM6080002SC	NUT M8X1.25 TYPE2				1
36	WP0841601SC	WASHER M8				1
37	WS0820002KN	SPRING WASHER M8				1
38	40180188	ROTATING MOTOR				1
39	SL6041692TN	SCREW M4 L=16				4
40	GAW01507000	SPACER				1
41	40108754	PULLEY_B				1
42	SM8050502TP	SCREW M5 L=5				2
43	GAW02601000	TIMING BELT				1
44	GAW02607000	TIMING BELT				1
45	40180181	ROTATING SENSOR ASSY				1
46	SM6850802TN	SCREW M2.5 L=8				1
47	40182610	ROTATING_SENSOR_PLATE				1

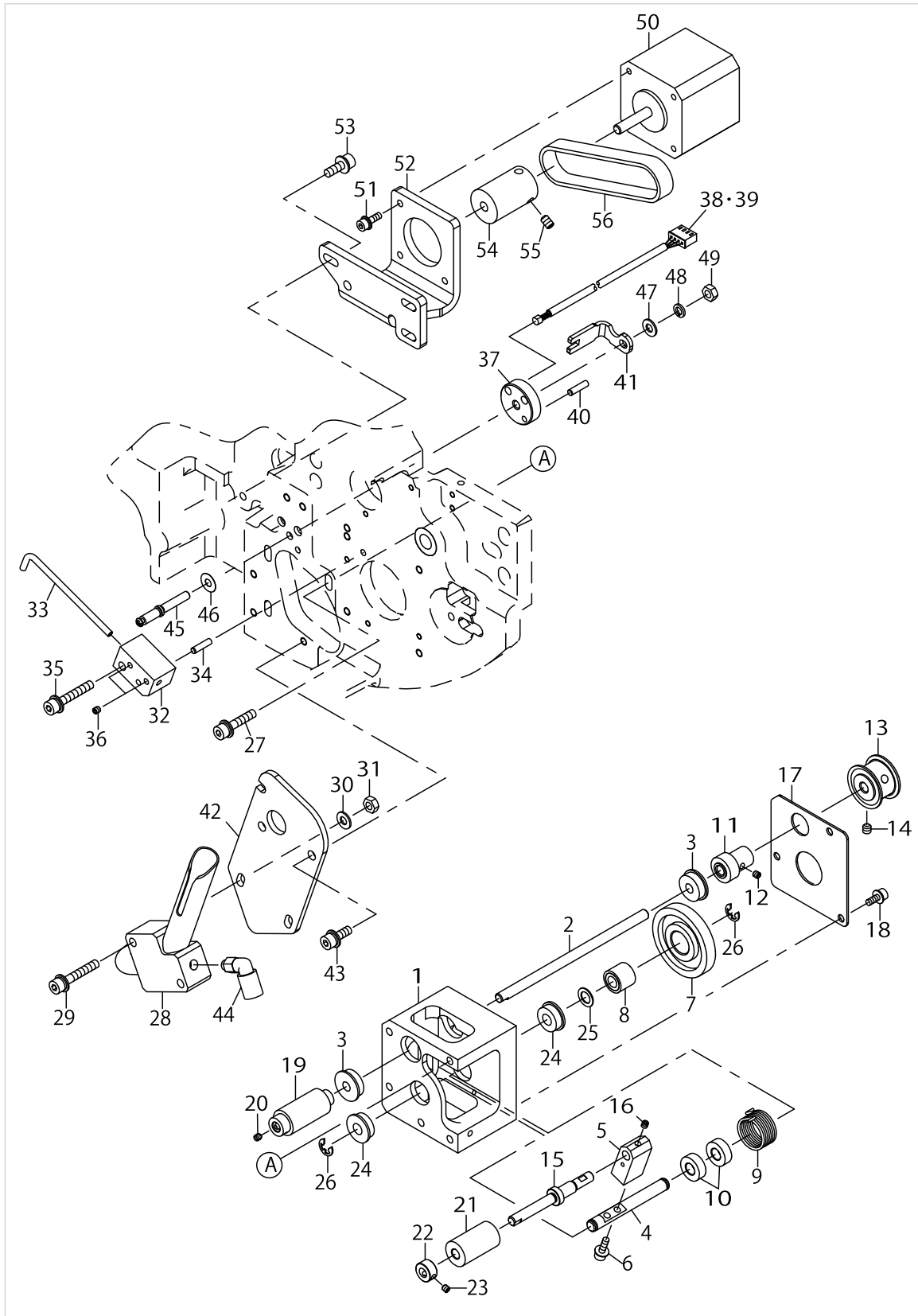
CONVEY UNIT COMPONENTS



CONVEY UNIT COMPONENTS

No.	Parts No.	Parts name	Remarks	Level	Cons	Qty
48	SL6041092TN	SCREW M4 L=10				2
49	40182611	SENSOR_DETECTION_PLATE				1
50	SL6030892TN	SCREW M3 L=8				2
51	GAW021310A0	HORIZONTAL FEED PULLEY ASM.				1
52	GAW02131000	HORIZONTAL FEED PULLEY		*		1
53	GAT23303000	BEARING 8		*		2
54	GAW02132000	HORIZONTAL FEED PULLEY SHAFT				1
55	GAW02133000	HORIZONTAL FEED PULLEY PLATE				1
56	SL6042592TN	SCREW M4 L=25				1
57	NM6040002SE	NUT M4X0.7 TYPE2				2
58	GAW02139000	HORIZONTAL FEED SPACER				2
59	GAW02134000	HORIZONTAL FEED IDLER PULLEY				1
60	SM8040402TP	SCREW M4X0.7 L=4				2
61	GAW02140000	HORIZONTAL FEED IDLER PULLEY F				1
62	SM8040402TP	SCREW M4X0.7 L=4				2
63	40182612	TIMING_BELT				1
64	40182613	HORIZONTAL_FEED_IDLER_SHAFT				1
65	SB108000200	BEARING				2
66	SM6030602TN	SCREW M3X6				2
67	RE0600000K0	E-RING 6				2
68	GAW02852000	HORIZONTAL FEED MOTOR				1
69	SL6031092TN	SCREW M3 L=10				3
70	GAW02136000	HORIZONTAL FEED MOTOR PULLEY				1
71	SM8040612TP	SCREW M4 L=6				2
72	40182614	TIMING_BELT				1
73	40180182	HORIZONTAL FEED SENSOR ASSY				1
74	SM6850802TN	SCREW M2.5 L=8				1
75	40182615	HORIZONTAL_FEED_SENSOR_BASE				1
76	SL6030692TN	SCREW M3 L=6				2
77	40182616	HORIZONTAL_FEED_SENSOR_PLATE				1
78	SL6041092TN	SCREW M4 L=10				2
79	40182606	CONVEY_ARM				1
80	PH0400122C0	PARALLEL PIN TYPE B 4X12				2

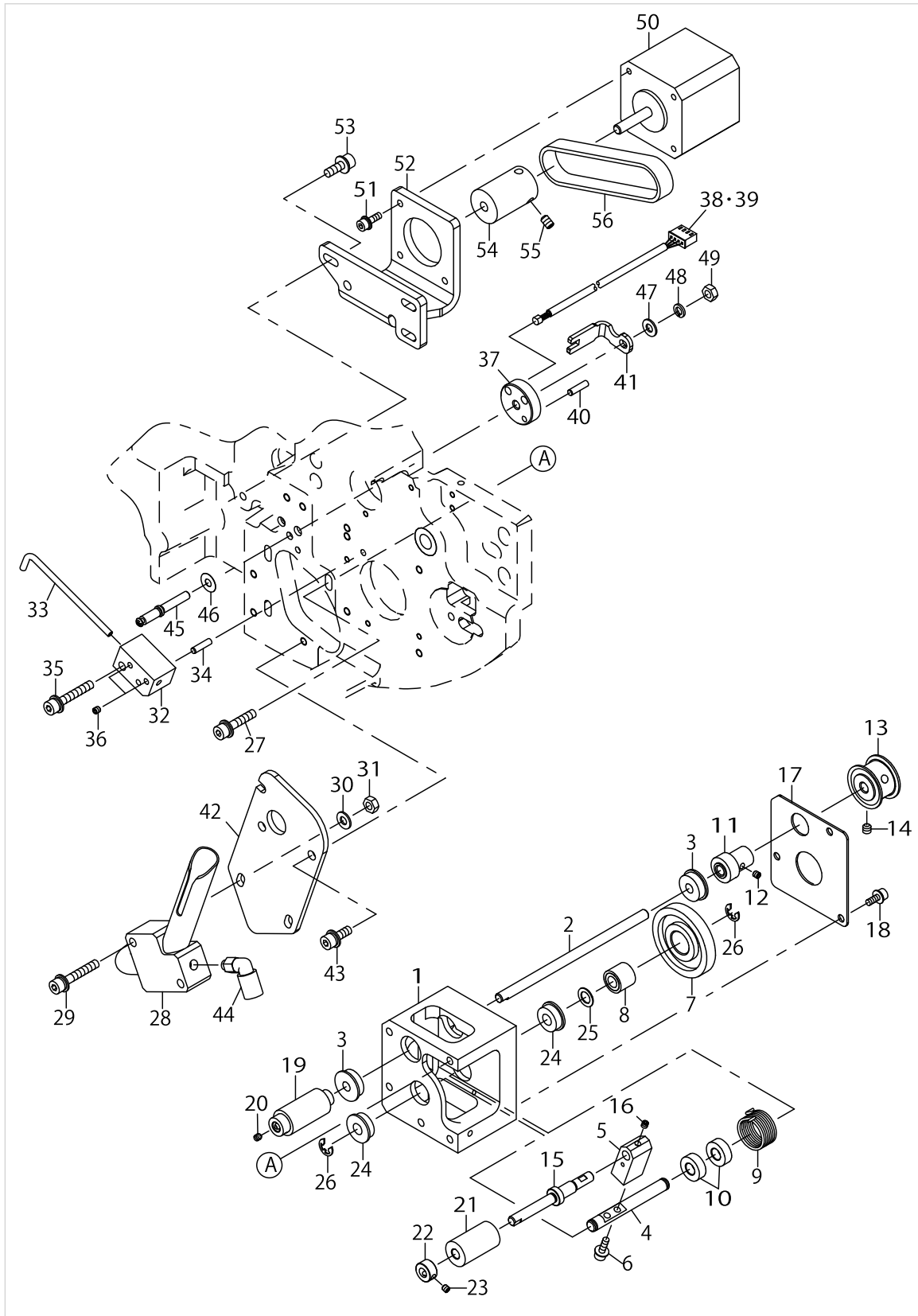
UNWINDING UNIT COMPONENTS



UNWINDING UNIT COMPONENTS

No.	Parts No.	Parts name	Remarks	Level	Cons	Qty
1	40182618	THREAD_REMOVING_FRAME				1
2	GAW02202A00	UNWINDING DRIVE SHAFT				1
3	SB105001500	BEARING				2
4	GAW02203000	ZA SHAFT M				1
5	GAW02205000	ZA ARM				1
6	SL6031092TN	SCREW M3 L=10				2
7	GAW02208000	ZA ARM GEAR L				1
8	SB306000300	BEARING				1
9	GAW02211A00	UNWINDING SPRING H				1
10	26217505	ROLLER				2
11	GAW02209000	ZA ARM GEAR S				1
12	SM8030312TP	SCREW M3 L=3				2
13	40182620	THREAD_REMOVING_PULLEY				1
14	SM8040412TP	SCREW M4X4				2
15	GAW02204A00	UNWINDING DRIVEN SHAFT				1
16	SM8030312TP	SCREW M3 L=3				1
17	40182621	THREAD_REMOVING_FRAME_COVER				1
18	SL6030892TN	SCREW M3 L=8				3
19	40032715	DRIVE_GEAR_A				1
20	SM8030312TP	SCREW M3 L=3				2
21	40032716	DRIVEN_GEAR_A				1
22	GAW02213000	UNWINDING THRUST COLLAR				1
23	SM8030312TP	SCREW M3 L=3				2
24	SB106000900	BEARING				2
25	26217604	WASHER				1
26	RE0400000K0	E-RING 4				2
27	SL6042092TN	SCREW M4 L=20				3
28	GAW02221AA0	UNWINDING DIFFUSER ASM.				1
29	SL6042592TN	SCREW M4 L=25				2
30	WP0430801SC	WASHER M4				2
31	NM6040001SC	NUT M4X0.7 TYPE1				2
32	40182666	REMOVING_THREAD_PIPE HOLDER				1
33	GAW02223000	ZA PIPE H				1
34	PH0300125S0	PARALLEL PIN TYPE A 3X12				1
35	SL6042592TN	SCREW M4 L=25				1
36	SM8030312TP	SCREW M3 L=3				2
37	40182623	ZA HOLDER				1
38	GAW028650A0	UNWINDING SENSOR A ASM.				1
39	GAW028660A0	UNWINDING SENSOR B ASM.				1
40	PH0300125S0	PARALLEL PIN TYPE A 3X12				1
41	40182624	UNWINDING HOLDER BRACKET_3				1
42	GAW02231000	UNWINDING DIFFUSER PLATE				1
43	SL6041292TN	SCREW M4 L=12				3
44	PJ304060502	ELBOW UNION 6XM5				1
45	40182602	DUMMY_SHAFT				1
46	GAW02229000	ZA HOLDER SPACER				1
47	WP0430801SC	WASHER M4				1

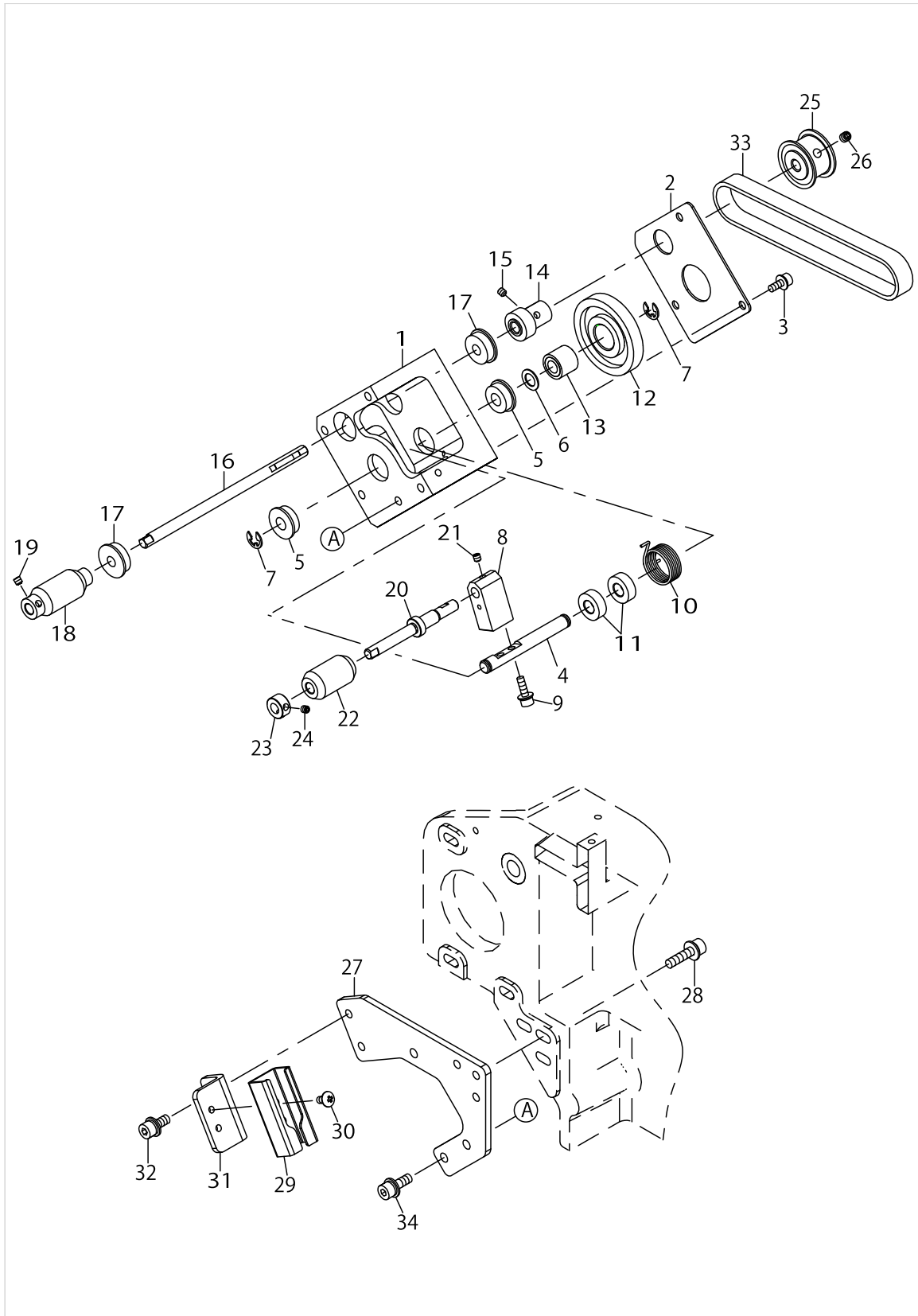
UNWINDING UNIT COMPONENTS



UNWINDING UNIT COMPONENTS

No.	Parts No.	Parts name	Remarks	Level	Cons	Qty
48	WS0410002KN	SPRING WASHER M4				1
49	NM6040001SC	NUT M4X0.7 TYPE1				1
50	GAW02855000	UNWINDING MOTOR				1
51	SL6031092TN	SCREW M3 L=10				3
52	40182625	THREAD_REMOVING_MOTOR_BRACKET				1
53	SL6041292TN	SCREW M4 L=12				3
54	GAW02136000	HORIZONTAL FEED MOTOR PULLEY				1
55	SM8040612TP	SCREW M4 L=6				2
56	40182626	TIMING_BELT				1

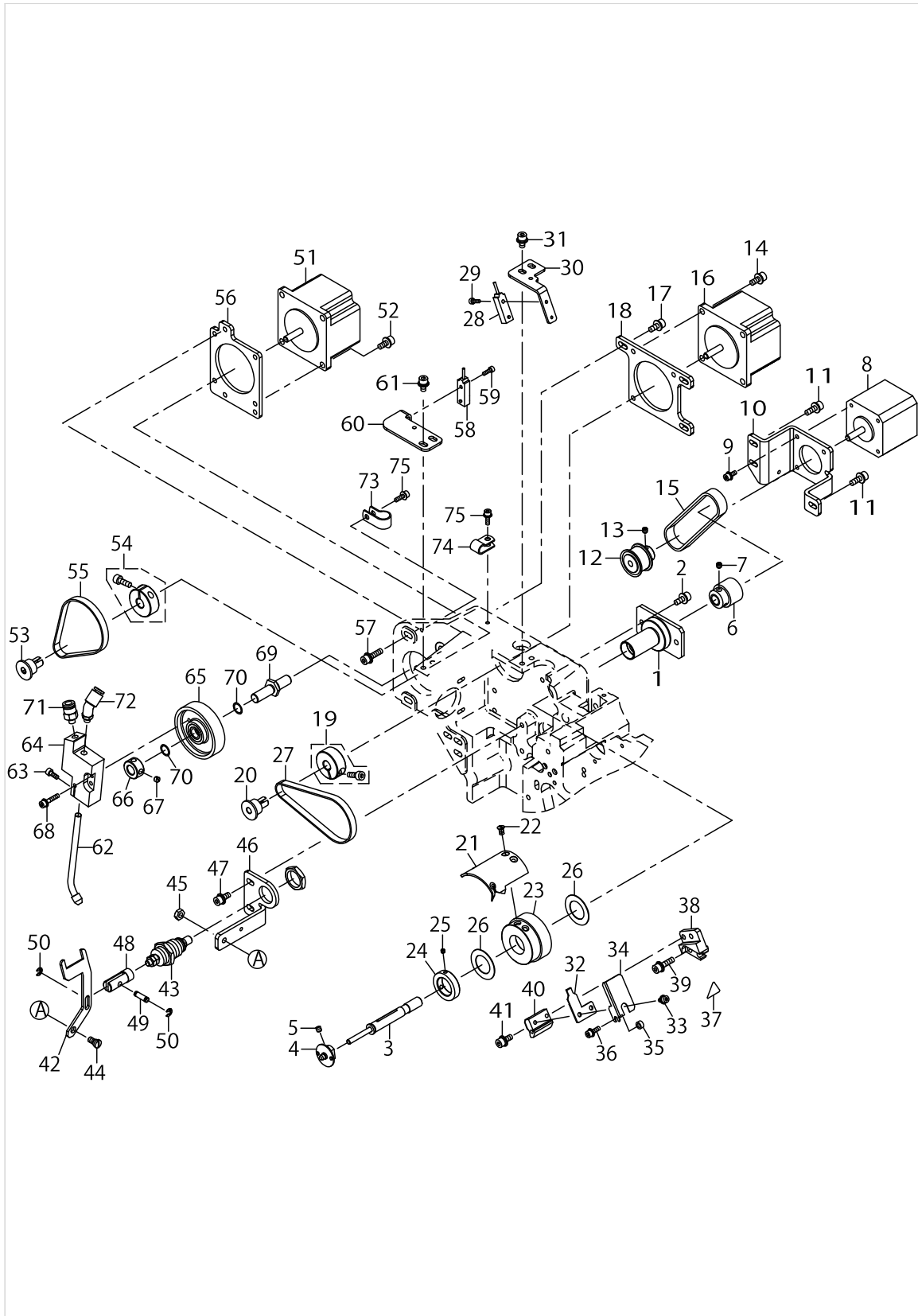
UNTYING UNIT COMPONENTS



UNTYING UNIT COMPONENTS

No.	Parts No.	Parts name	Remarks	Level	Cons	Qty
1	40182618	THREAD_REMOVING_FRAME				1
2	40182621	THREAD_REMOVING_FRAME_COVER				1
3	SL6030892TN	SCREW M3 L=8				2
4	GAW02203000	ZA SHAFT M				1
5	SB106000900	BEARING				2
6	26217604	WASHER				1
7	RE0400000K0	E-RING 4				2
8	GAW02205000	ZA ARM				1
9	SL6031092TN	SCREW M3 L=10				2
10	GAW02211000	ZA SPRING				1
11	26217505	ROLLER				2
12	GAW02208000	ZA ARM GEAR L				1
13	SB306000300	BEARING				1
14	GAW02209000	ZA ARM GEAR S				1
15	SM8030312TP	SCREW M3 L=3				2
16	GAW02202A00	UNWINDING DRIVE SHAFT				1
17	SB105001500	BEARING				4
18	GAW02245000	DRIVE GEAR				1
19	SM8030312TP	SCREW M3 L=3				2
20	GAW02204A00	UNWINDING DRIVEN SHAFT				1
21	SM8030312TP	SCREW M3 L=3				1
22	GAW02246000	DRIVEN GEAR				1
23	GAW02213000	UNWINDING THRUST COLLAR				1
24	SM8030312TP	SCREW M3 L=3				2
25	40182620	THREAD_REMOVING_PULLEY				1
26	SM8040412TP	SCREW M4X4				2
27	40182627	DISENTANGLING_FRAME_PLATE				1
28	SL6041692TN	SCREW M4 L=16				3
29	GAW02247000	UN-TYING GEAR GUIDE				1
30	SM0030601SC	SCREW M3X6				2
31	40182628	DISENTANGLING_GUIDE_PLATE				1
32	SL6041092TN	SCREW M4 L=10				2
33	40182629	TIMING_BELT				1
34	SL6041292TN	SCREW M4 L=12				3

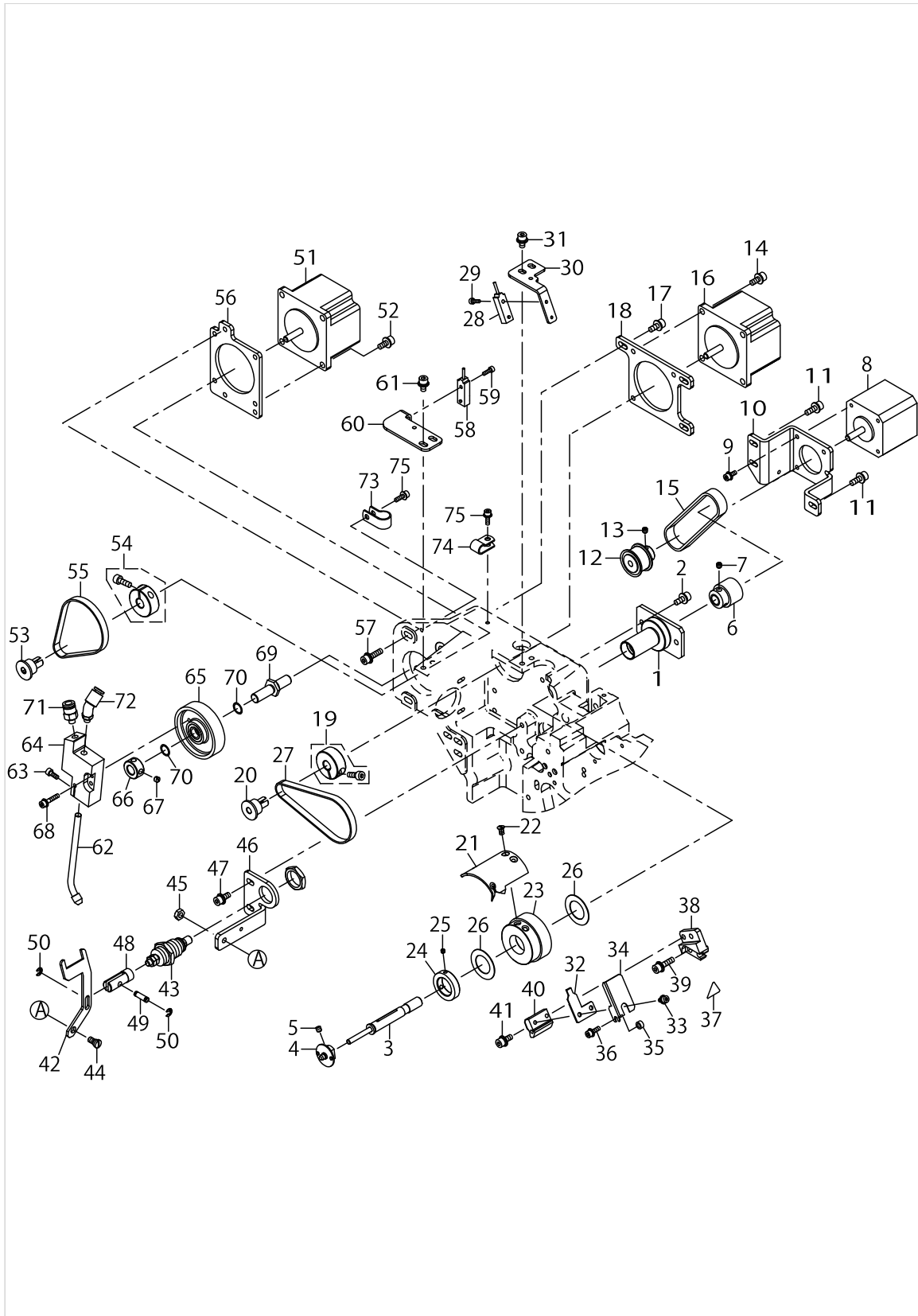
WINDING UNIT COMPONENTS



WINDING UNIT COMPONENTS

No.	Parts No.	Parts name	Remarks	Level	Cons	Qty
1	GAW023010B0	WINDING BASE COMPL.				1
2	SL6041092TN	SCREW M4 L=10				2
3	GAW023020A0	WINDING SLEEVE ASM.				1
4	GAW023050A0	WINDING CLUTCH ASM.				1
5	SM8040412TP	SCREW M4X4				2
6	GAW02308000	WINDING PULLEY				1
7	SM8040402TP	SCREW M4X0.7 L=4				2
8	GAW02854000	WINDING MOTOR				1
9	SL6030892TN	SCREW M3 L=8				4
10	40182630	THREAD_WINDING_MOTOR_BRACKET				1
11	SL6041292TN	SCREW M4 L=12				3
12	GAW02309000	WINDING MOTOR PULLEY				1
13	SM8040402TP	SCREW M4X0.7 L=4				2
14	SL6041092TN	SCREW M4 L=10				3
15	40182631	TIMING_BELT				1
16	40180190	MOVING KNIFE MOTOR				1
17	SL6041092TN	SCREW M4 L=10				3
18	40182632	MOVING_KNIFE_MOTOR_PLATE				1
19	E2131172000	PC CENTER COLLAR				1
20	GAW02325000	THREADING MOTOR PULLEY				1
21	GAW02321A00	THREADING KNIFE 20			☆	1
22	SS2090640TP	SCREW				2
23	40182633	THREADING_PULLEY_20_ASM				1
24	GAW02323000	THREADING COLLAR				1
25	SM8030302TP	SCREW M3X3				2
26	GAW02324000	RING BUSH				2
27	GAW02603000	TIMING BELT				1
28	40180183	MOVING KNIFE SENSOR ASSY				1
29	SM6850802TN	SCREW M2.5 L=8				1
30	40182634	MOVING_KINFE_SENSOR_PLATE				1
31	SL6040892TN	SCREW M4 L=8				2
32	GAW02327A00	COUNTER KNIFE			☆	1
33	SL6030692TN	SCREW M3 L=6				2
34	GAW02328A00	COUNTER KNIFE COVER				1
35	GAW01506000	SPACER				1
36	SL6031092TN	SCREW M3 L=10				1
37	CM300200001	FINGER INJURY CAUTION LABEL (16)				1
38	GAW02331000	COUNTER KNIFE BASE				1
39	SL6041692TN	SCREW M4 L=16				2
40	GAW02332000	COUNTER KNIFE HOLDER				1
41	SL6041092TN	SCREW M4 L=10				2
42	GAW02341A00	THREADING WIPER 20				1
43	PA1001027A0	PIN CYLINDER				1
44	SD0550211SP	SHOULDER SCREW D=5.5 H=2.1				1
45	NS6110350SP	HEXAGONAL NUT 11/64-40				1
46	40182635	THREAD_WIPER_BRACKET				1
47	SL6041092TN	SCREW M4 L=10				2

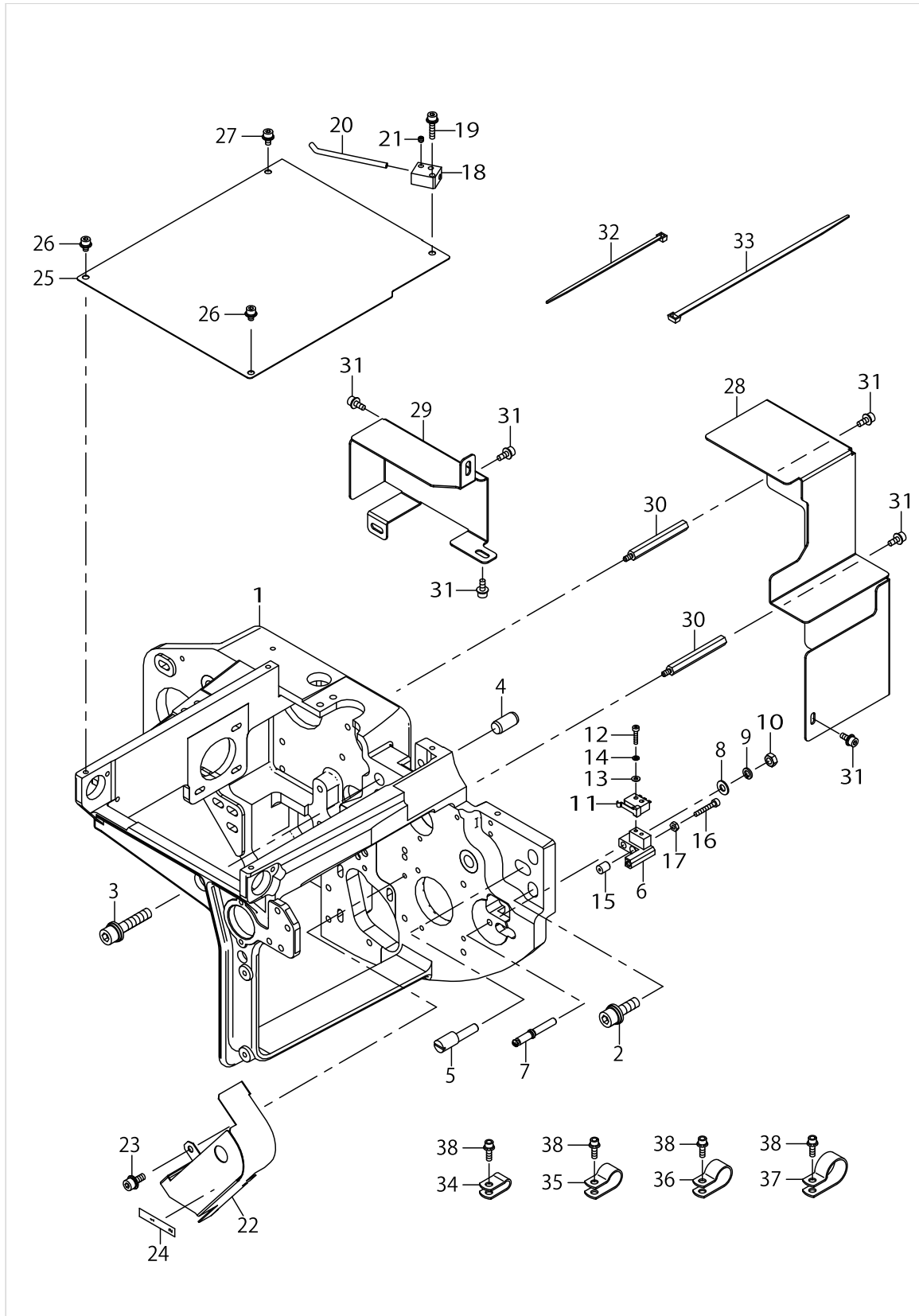
WINDING UNIT COMPONENTS



WINDING UNIT COMPONENTS

No.	Parts No.	Parts name	Remarks	Level	Cons	Qty
48	GAW02343000A	THREADING WIPER JOINT				1
49	11301405	PIN				1
50	RE0300000K0	E-RING 3				2
51	40180193	NOZZLE MOTOR				1
52	SL6041092TN	SCREW M4 L=10				4
53	GAW02325000	THREADING MOTOR PULLEY				1
54	E2131172000	PC CENTER COLLAR				1
55	40182636	TIMING_BELT				1
56	40182637	NOZZLE_MOTOR_PLATE				1
57	SL6041692TN	SCREW M4 L=16				3
58	40180184	NOZZLE SENSOR ASSY				1
59	SM6850802TN	SCREW M2.5 L=8				1
60	40182638	NOZZLE_MOTOR_SENSOR_PLATE				1
61	SL6040892TN	SCREW M4 L=8				2
62	GAW023510A0	NOZZLE ASM.				1
63	SM6030802TN	SCREW				2
64	GAW02352A00	NOZZLE VACUUM 20				1
65	40182639	NOZZLE_PULLEY_ASM				1
66	CS0800881TP	THRUST COLLAR D=8 W=8				1
67	SM8050412TP	SCREW M5 L=4				2
68	SL6031692TN	SCREW M3 L=16				2
69	GAW02354000	NOZZLE SHAFT				1
70	GAW01507000	SPACER				2
71	GAW02613000	UNION				1
72	PJ309040501	45 ELBOW UNION				1
73	HX00150000D	CABLE CLAMP				1
74	HX00150000B	CABLE CLAMP				1
75	SL6031092TN	SCREW M3 L=10				2

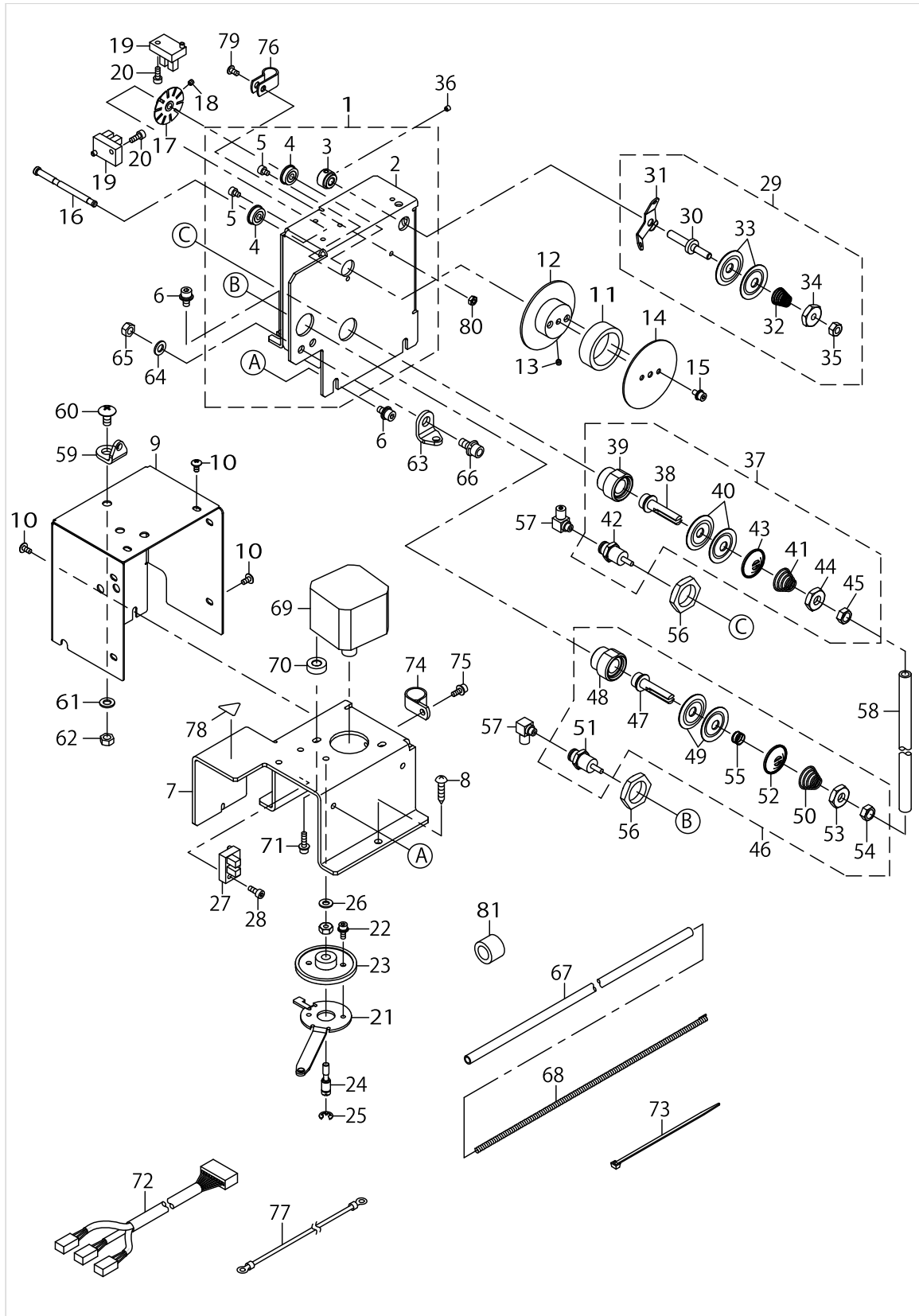
SUPPORT UNIT COMPONENTS



SUPPORT UNIT COMPONENTS

No.	Parts No.	Parts name	Remarks	Level	Cons	Qty
1	40182481	SUPPORT_BASE				1
2	SL6062092TN	SCREW M6 L=20				2
3	SL6063092TN	SCREW M6 L=30				2
4	40126375	FEED_ADJUSTING_PIN_A				1
5	40182600	ADJUSTING_SHAFT				1
6	40182601	DUMMY_BASE				1
7	40182602	DUMMY_SHAFT				1
8	WP0430801SC	WASHER M4				1
9	WS0410002KN	SPRING WASHER M4				1
10	NM6040002SE	NUT M4X0.7 TYPE2				1
11	GAW028670A0A	DUMMY SENSOR ASM.				1
12	SM6021002TN	SCREW M2X10				2
13	WP0220301SC	WASHER M2				2
14	WS0210002KN	SPRING WASHER M2				2
15	13744909	TRIPPING LEVER				1
16	SM6851602TN	SCREW M2.5X16				1
17	NM6850001SC	NUT M2.5X0.45 TYPE1				1
18	GAW02410000	HOOK PIPE HOLDER				1
19	SL6031492TN	SCREW M3 L=14				1
20	GAW02404000	HOOK PIPE				1
21	SM8030302TP	SCREW M3X3				2
22	GAW02405000	ROTATING BELT COVER				1
23	SL6030892TN	SCREW M3 L=8				3
24	GAW02357000	MEASUREMENT SEAL				1
25	40182603	HORIZONTAL_FEED_BELT_COVER				1
26	SL6030592TN	SCREW M3 L=5				2
27	SL6030692TN	SCREW M3 L=6				1
28	40182604	REAR_COVER_A				1
29	40182605	REAR_COVER_B				1
30	GAW02622000	HEXAGON STUD				2
31	SL6030892TN	SCREW M3 L=8				6
32	EA9500B0100	CABLE BAND				6
33	EA9500B0200	CABLE BAND				3
34	HX00150000A	CABLE CLAMP				2
35	HX00150000D	CABLE CLAMP				2
36	HX00150000E	CABLE CLAMP				1
37	HX00150000H	CABLE CLAMP				4
38	SL6031092TN	SCREW M3 L=10				9

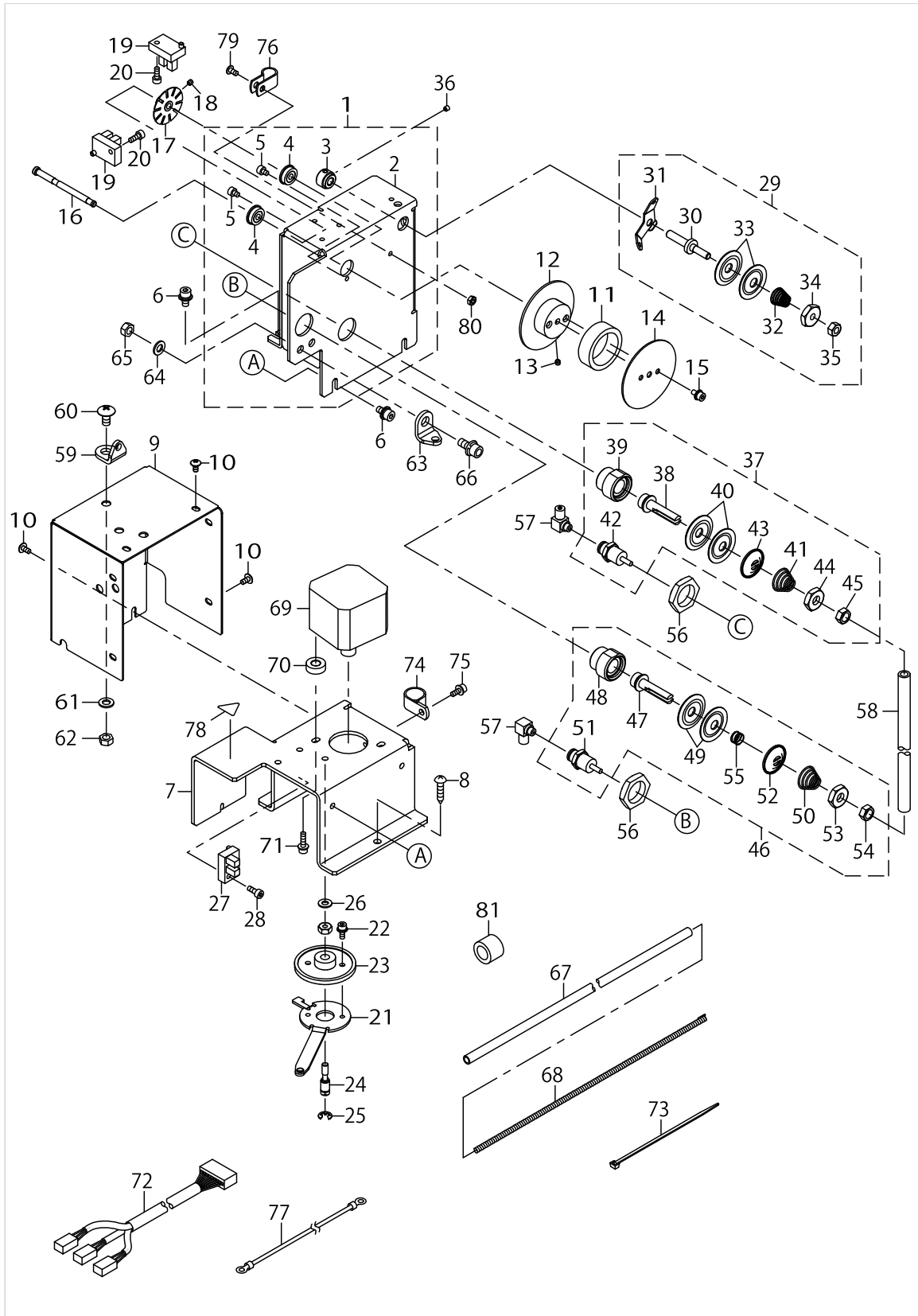
THREAD MEASURING UNIT COMPONENTS



THREAD MEASURING UNIT COMPONENTS

No.	Parts No.	Parts name	Remarks	Level	Cons	Qty
1	GAW02361AA0	THREAD MEASURING BASE A ASM.				1
2	GAW02361A00	THREAD MEASURING BASE A		*		1
3	GAW01246000	KU SLEEVE		*		1
4	SB104001500	BEARING		*		2
5	SM6030402TN	SCREW M3X4		*		2
6	SL6040892TN	SCREW M4 L=8				4
7	GAW02362A00	THREAD MEASURING BASE B				1
8	SK3382001SE	WOOD SCREW D=3.8 L=20				3
9	GAW02373000	THREAD MEASURING COVER				1
10	SM0030601SC	SCREW M3X6				5
11	GAW01248000	KU ROLLER				1
12	GAW02363A00	THREAD MEASURING ROLLER SLEEVE				1
13	SM8030312TP	SCREW M3 L=3				2
14	GAW02364A00	THREAD MEASURING FLANGE				1
15	SL6030692TN	SCREW M3 L=6				2
16	GAW02365000	THREAD MEASURING SHAFT				1
17	GAW023660A0	SENSOR SLIT ASM.				1
18	SM8030312TP	SCREW M3 L=3				2
19	HD00057000A	SENSOR				2
20	SM6030802TN	SCREW				2
21	GAW023680A0	THREAD MEASURING ARM ASM.				1
22	SL6030892TN	SCREW M3 L=8				2
23	GAW02369000	THREAD MEASURING GEAR				1
24	GAW02370000	THREAD MEASURING ARM PIN				1
25	RE0400000K0	E-RING 4				1
26	WP0430801SC	WASHER M4				1
27	HD00057000A	SENSOR				1
28	SM6030802TN	SCREW				1
29	GAW023710A0	FIRST THREAD TENSION ASM.				1
30	11045002	FIRST TENSION POST		*		1
31	11045200	THREAD TENSION GUIDE		*		1
32	11045101	THREAD TENSION SPRING		*		1
33	B3126012000	THREAD TENSION DISK		*		2
34	GAW02371000	SP HOLDER(11/64)		*		1
35	NS6110420SP	NUT 11/64-40		*		1
36	SM8030312TP	SCREW M3 L=3				2
37	GAW02372AA0	SECOND THREAD TENSION ASM.				1
38	G2301309000	THREAD TENSION ROD		*		1
39	G2302309000	THREAD TENSION ROD BASE		*		1
40	B3126012000	THREAD TENSION DISK		*		2
41	D3129555D00	THREAD TENSION SPRING		*		1
42	PA0600504A0	AIR CYLINDER		*		1
43	B3132552000	THREAD TENSION DISK PRESSER		*		1
44	GAW02372000	SP HOLDER(1/4)		*		1
45	NS6660430SP	NUT 1/4-40		*		1
46	GAW023720A0	THIRD THREAD TENSION ASM.				1
47	G2301309000	THREAD TENSION ROD		*		1

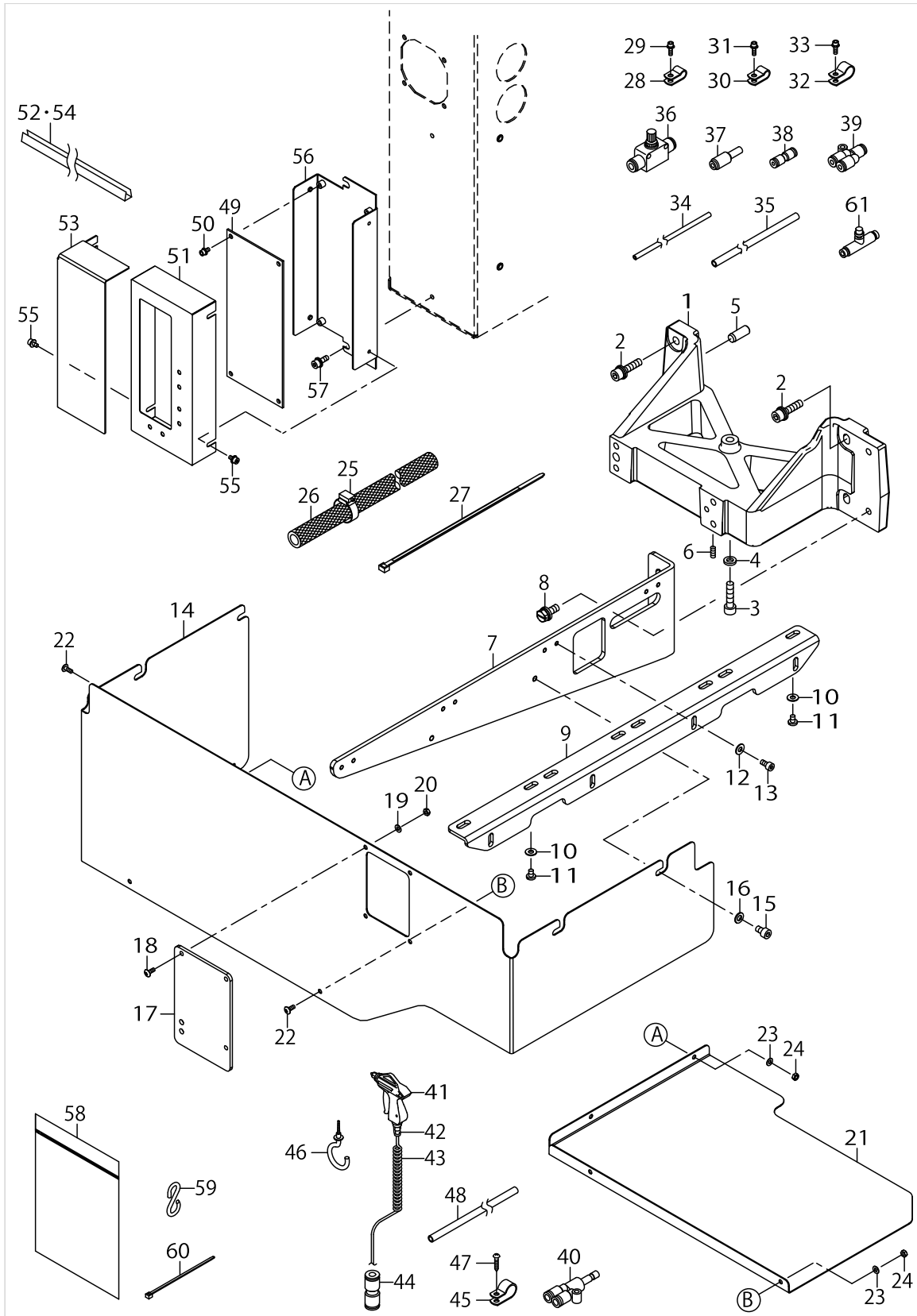
THREAD MEASURING UNIT COMPONENTS



THREAD MEASURING UNIT COMPONENTS

No.	Parts No.	Parts name	Remarks	Level	Cons	Qty
48	G2302309000	THREAD TENSION ROD BASE		*		1
49	B3126012000	THREAD TENSION DISK		*		2
50	D3129555D00	THREAD TENSION SPRING		*		1
51	PA0600504A0	AIR CYLINDER		*		1
52	B3132552000	THREAD TENSION DISK PRESSER		*		1
53	GAW02372000	SP HOLDER(1/4)		*		1
54	NS6660430SP	NUT 1/4-40		*		1
55	D2304212T0T	IDLING PREVENTION SPRING		*		1
56	NM6160511SE	NUT M16X1.5 TYPE1				2
57	PJ046052503	HOSE ELBOW				2
58	BT0800501EB	URETHANE TUBE BLACK 8X5				0.1
59	40010414	THREAD_GUIDE_NO.1				1
60	SM0051001SC	SCREW M5X10				1
61	WP0531001SC	WASHER M5				1
62	NM6050001SC	NUT M5X0.8 TYPE1				1
63	40010414	THREAD_GUIDE_NO.1				1
64	WP0531001SC	WASHER M5				1
65	NM6050001SC	NUT M5X0.8 TYPE1				1
66	SL6051292TN	SCREW M5 L=12				1
67	BT0600401EB	URETHANE TUBE BLACK 6X4				0.92
68	GAW02374000	TUBE GUARD				1
69	40180195	THREAD MEASURING MOTOR				1
70	26217505	ROLLER				2
71	SL6031292TN	SCREW M3 L=12				2
72	40182071	SENSOR RELAY CABLE ASSY				1
73	EA9500B0100	CABLE BAND				4
74	HX00150000E	CABLE CLAMP				1
75	SL6030892TN	SCREW M3 L=8				1
76	HX00150000C	CABLE CLAMP				1
77	40179815	FG CABLE ASSY				1
78	CM300200001	FINGER INJURY CAUTION LABEL (16)				1
79	SM0030601SC	SCREW M3X6				1
80	NM6030002SC	NUT M3X0.5 TYPE2				1
81	BT1601001Z0	TUBE				0.012

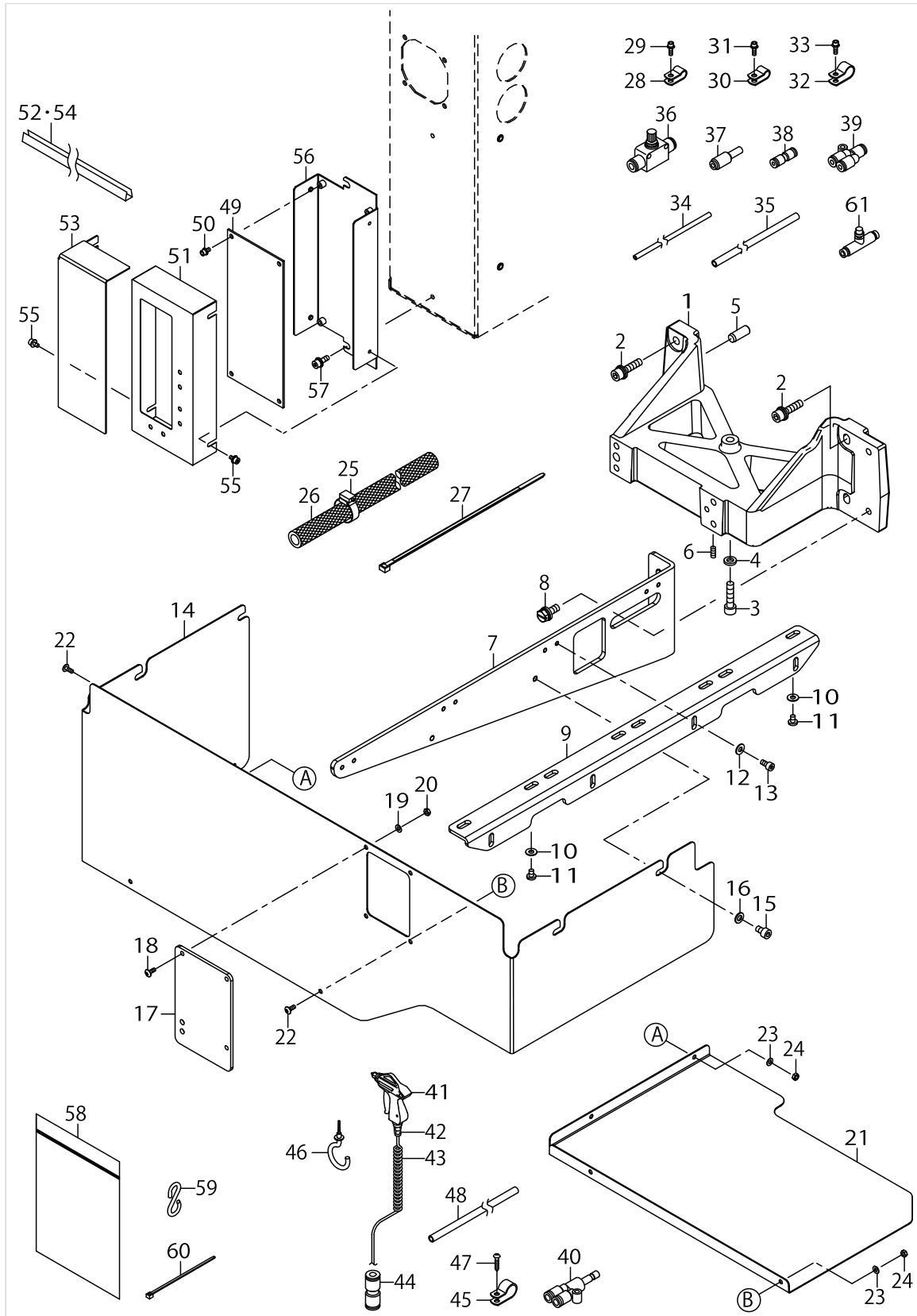
HOUSING COMPONENTS



HOUSING COMPONENTS

No.	Parts No.	Parts name	Remarks	Level	Cons	Qty
1	40182450	AMS_ANGLE				1
2	SL6062592TN	SCREW M6 L=25				4
3	SM6062502TP	SCREW M6 L=25				1
4	WP0612066SP	WASHER 6.1X11X2				1
5	40187583	POSITIONING_PIN				1
6	SM8041012TP	SCREW M4 L=10				1
7	40182664	COVER_SUPPORT_C_RIGHT				1
8	SL9061600SF	SCREW M6 L=16				2
9	40072179	COVER_SUPPORT_BRACKET				1
10	WP0450801SP	WASHER				5
11	SM6450610TP	SCREW				5
12	WP0450801SP	WASHER				4
13	SM6040802TP	SCREW M4X0.7 L=8				4
14	40182640	FRONT_COVER				1
15	SM6051002TN	SCREW				4
16	WP0531001SC	WASHER M5				4
17	GAW02573000	FRONT COVER WINDOW				1
18	SM0030801SC	SCREW M3X8				4
19	WP0320501SC	WASHER M3				4
20	NM6030001SC	NUT M3X0.5 TYPE1				4
21	40182667	UNDER_COVER				1
22	SM0030801SC	SCREW M3X8				4
23	WP0320501SC	WASHER M3				4
24	NM6030001SC	NUT M3X0.5 TYPE1				4
25	40151059	HOSE_BAND				1
26	BT1601001Z0	MESH VINYL CHLORIDE HOSE CLEAR 16X10				1
27	HX00065000B	CABLE BAND				2
28	HX00150000B	CABLE CLAMP				1
29	SL6031092TN	SCREW M3 L=10				1
30	HX00150000B	CABLE CLAMP				1
31	SL6031092TN	SCREW M3 L=10				1
32	HX00150000D	CABLE CLAMP				1
33	SL6031092TN	SCREW M3 L=10				1
34	BT0400251EB	URETHANE TUBE BLACK 4X2.5				7.2
35	BT0600401EB	URETHANE TUBE BLACK 6X4				3
36	PC012601000	SPEED CONTROLLER				1
37	PJ301040001	REDUCER				3
38	PJ303040002	STRAIGHT UNION 4				1
39	PJ308040002	QUICK JOINT				1
40	PJ308060004	BRANCH UNION Y				1
41	40044823	AIR_GUN				1
42	PJ301065201	HALF UNION 6XPT1/4				1
43	GSS36020000	COIL TUBE				1
44	PJ303060001	STRAIGHT UNION 6				1
45	HX00150000E	CABLE CLAMP				2
46	MAT81163T00	CORD HOLDER				1
47	SK3311601SE	WOOD SCREW D=3.1 L=16				1

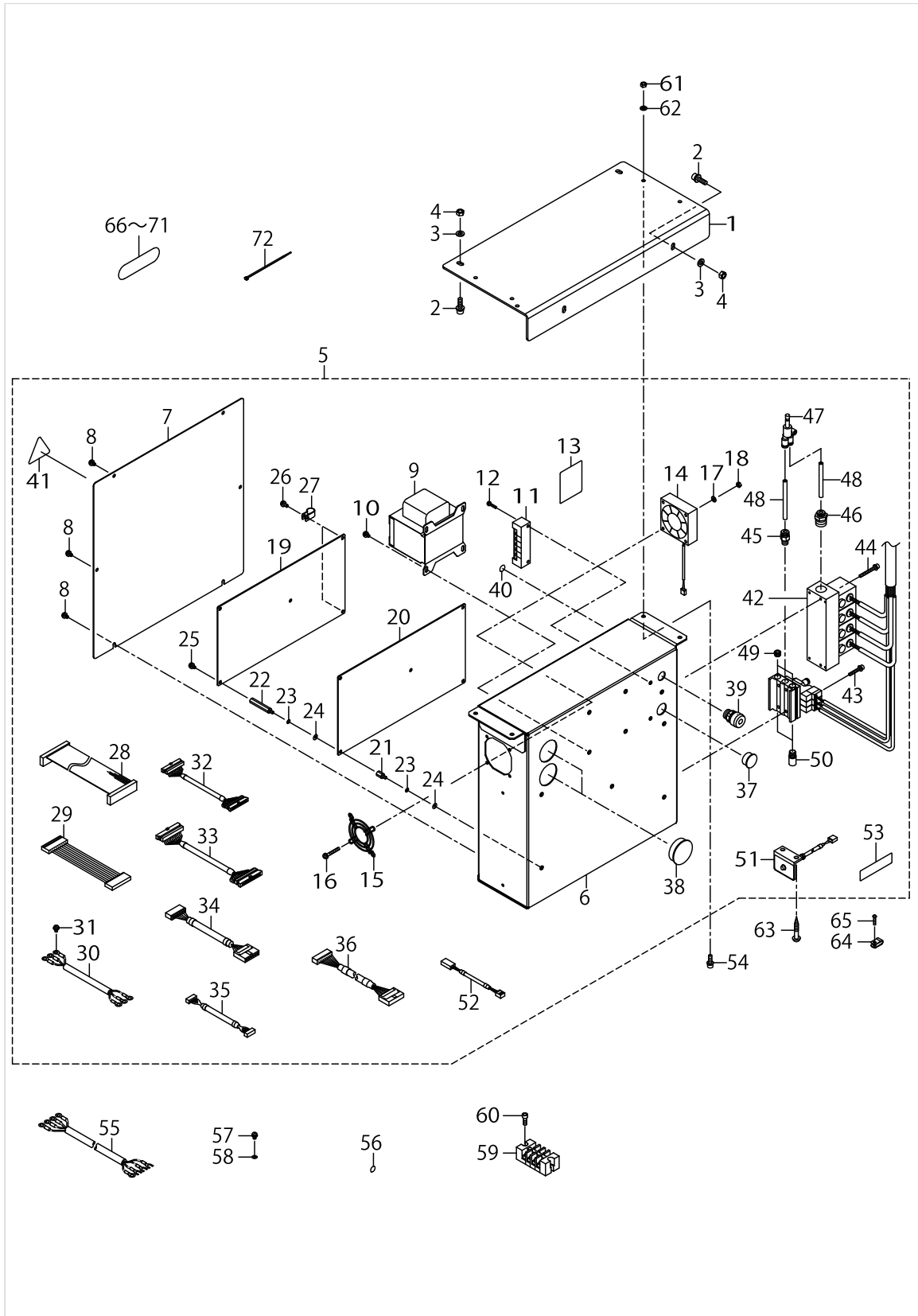
HOUSING COMPONENTS



HOUSING COMPONENTS

No.	Parts No.	Parts name	Remarks	Level	Cons	Qty
48	BT0600401EB	URETHANE TUBE BLACK 6X4				1
49	40179821	AW3 INT PCB ASSY				1
50	SL6030692TN	SCREW M3 L=6				4
51	GAW02407000	CIRCUIT BOARD COVER				1
52	HX003670000	GROMMET				0.32
53	40182671	INT BOARD COVER				1
54	HX000960000	EDGING				0.15
55	SL6030692TN	SCREW M3 L=6				4
56	GAW02409000	CIRCUIT BOARD BASE				1
57	SL6041292TN	SCREW M4 L=12				2
58	40139091	DUST_BAG				1
59	13160304	S SHAPED HOOK				1
60	EA9500B0000	CABLE BAND				1
61	PC012406000	SPEED CONTROLLER				1

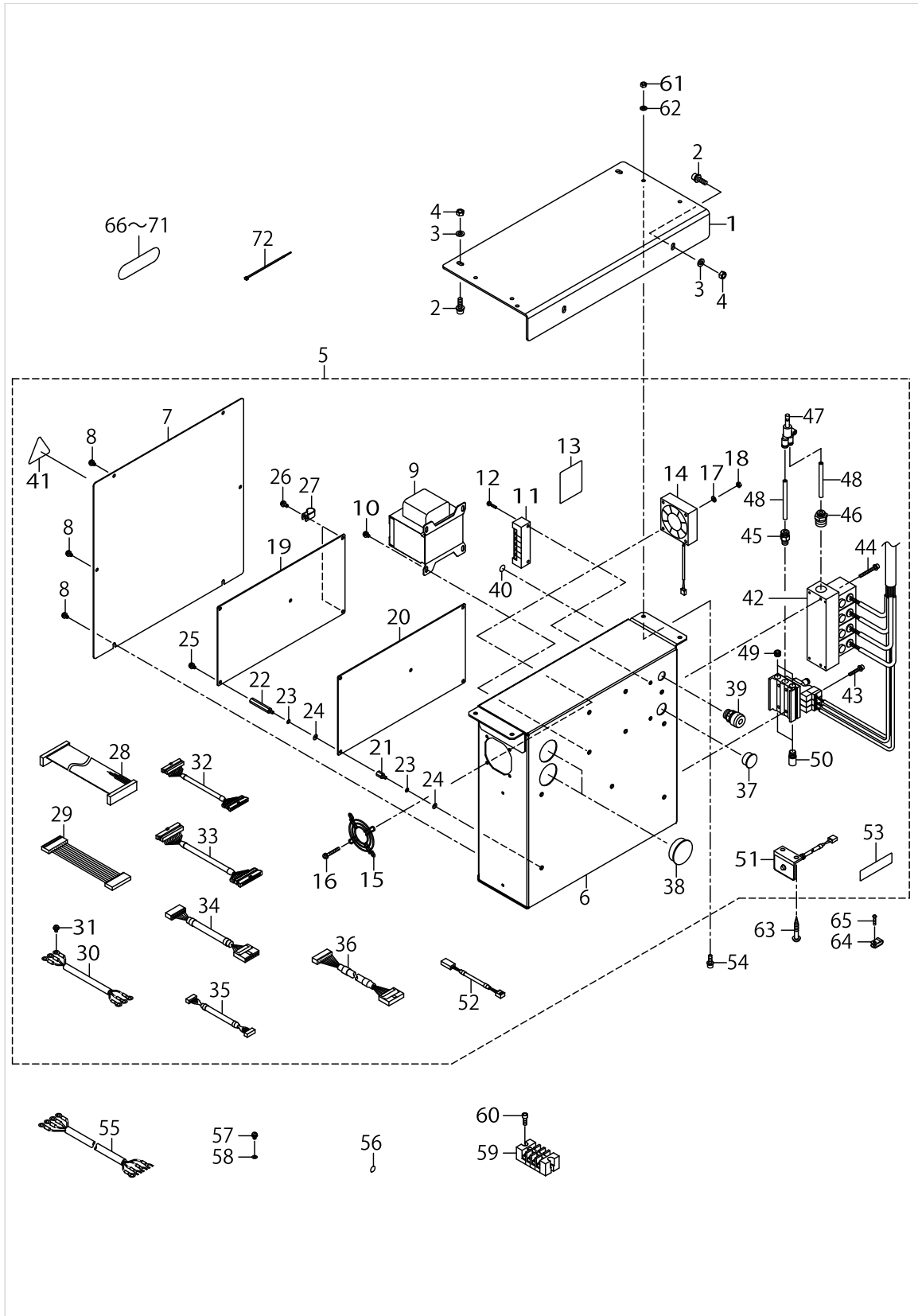
ELECTRICAL BOX COMPONENTS



ELECTRICAL BOX COMPONENTS

No.	Parts No.	Parts name	Remarks	Level	Cons	Qty
1	40182653	ELECTRICAL_BOX_BASE				1
2	SL6062092TN	SCREW M6 L=20				4
3	WP0641601SC	WASHER M6				4
4	NM6060001SC	NUT M6X1 TYPE1				4
5	40183430	ELECTRICAL BOX ASM.				1
6	40182642	ELECTRICAL BOX		*		1
7	40189666	ELECTRICAL BOX COVER		*		1
8	SL4040891SC	SCREW M4X8		*		6
9	GAW02753000	POWER TRANSFORMER		*		1
10	SL4040891SC	SCREW M4X8		*		4
11	HK043450060	BLOCK TERMINAL		*		1
12	SL4031681SC	SCREW M3 L=16		*		2
13	GAW02782000	VOLTAGE SELECTION SEAL		*		1
14	GAW02769DA0	FAN MOTOR ASM.		*		1
15	HM0003800A0	FAN MOTOR		*		1
16	SL4043091SC	SCREW M4 L=30		*		4
17	WP0430801SC	WASHER M4		*		4
18	NM6040001SC	NUT M4X0.7 TYPE1		*		4
19	40179219	AW3 CPU PCB A ASSY		*		1
20	40179812	AW3 DRV PCB ASSY		*		1
21	HX003390000	SPACER		*		5
22	HX00339000D	SPACER		*		5
23	WS0410002KN	SPRING WASHER M4		*		10
24	WP0430801SC	WASHER M4		*		10
25	SL4040891SC	SCREW M4X8		*		3
26	SL4041091SC	SCREW M4 L=10		*		2
27	HX00150000D	CABLE CLIP		*		2
28	GAW02761000	CPU-DRV CONNECTING CORD ASM.		*		1
29	GAW027620A0	CPU-DRV POWER CORD ASM.		*		1
30	40182068	POWER CABLE ASSY		*		1
31	SL4040891SC	SCREW M4X8		*		2
32	40182072	CPU-INT CONNECTING CABLE ASSY		*		1
33	40182073	DRV-INT CONNECTING CABLE ASSY		*		1
34	40180185	THREAD MEASURING MOTOR CABLE ASSY		*		1
35	40182069	I/F CABLE ASSY		*		1
36	40182070	SENSOR EXT. CABLE ASSY		*		1
37	HX00188000D	GROMMET		*		1
38	HX00188000F	GROMMET		*		2
39	HX00252000B	CORD LOCK		*		1
40	E9567319000	EARTH MARK		*		1
41	CM300100004	VOLTAGE WARNING LABEL (50)		*		1
42	GAW027730A0	SOLENOID VALVE ASM.		*		1
43	SL4032591SC	SCREW M3 L=25		*		2
44	SL4033591SC	SCREW M3 L=35		*		2
45	PJ301065103	HALF UNION 6XPT1/8		*		1
46	PJ210006200	HALF UNION		*		1
47	PJ308060004	BRANCH UNION Y		*		1

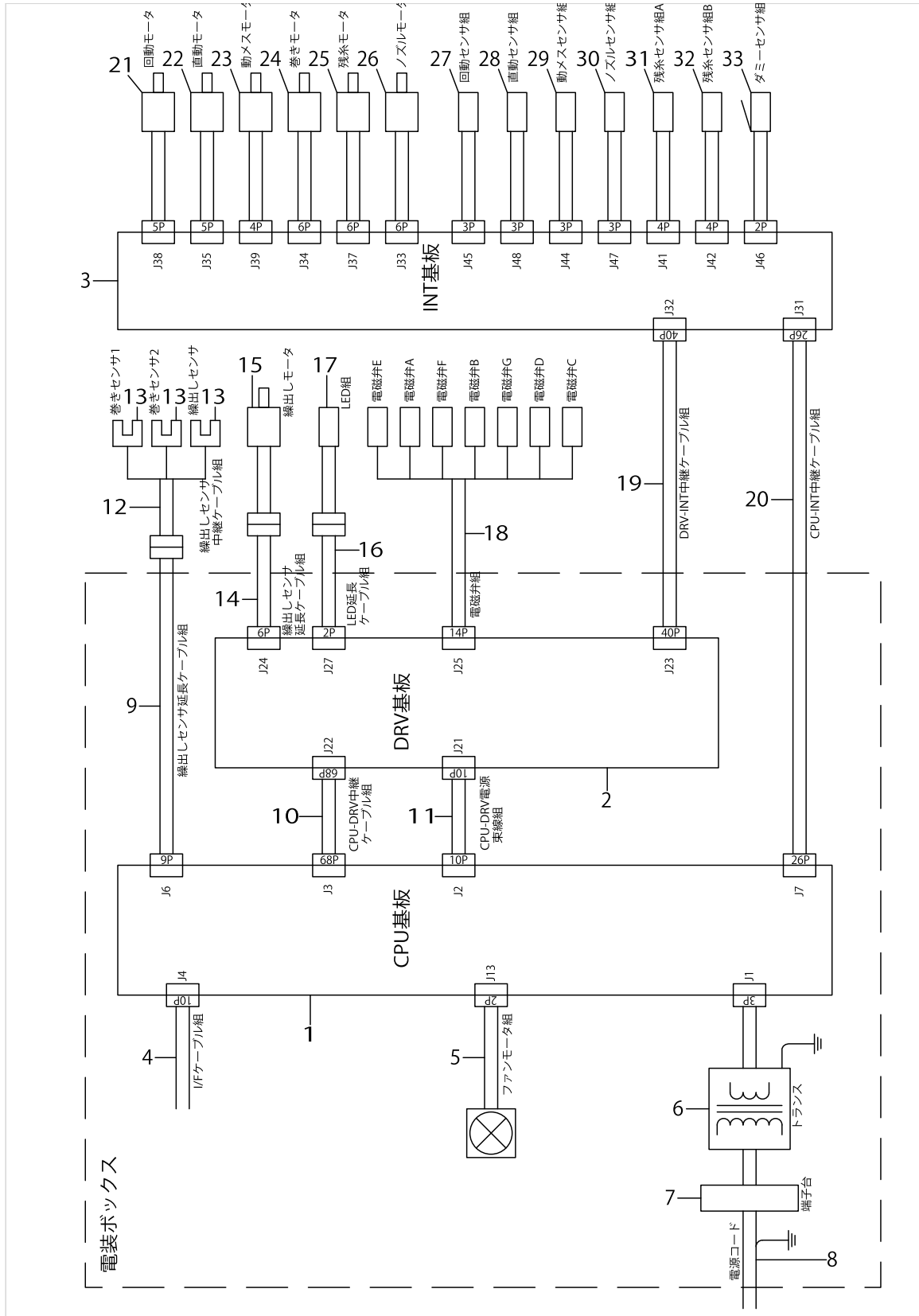
ELECTRICAL BOX COMPONENTS



ELECTRICAL BOX COMPONENTS

No.	Parts No.	Parts name	Remarks	Level	Cons	Qty
48	BT0600401EB	URETHANE TUBE BLACK 6X4		*		0.9
49	PJ025100002	PLUG R1/8		*		2
50	PX055104000	SILENCER		*		2
51	GAW028380A0	LED ASM.		*		1
52	40179816	LED EXT. CABLE ASSY		*		1
53	40179818	ELECTRICAL RATING LABEL JP		*		1
54	SL6051692TN	SCREW M5 L=16				4
55	40182446	POWER RELAY CABLE ASSY				1
56	22901805	GROUND MARK				2
57	SL4040891SC	SCREW M4X8				3
58	WT0430001KN	TOOTHED WASHER				3
59	HK096850040	BLOCK TERMINAL				1
60	SM6051402TN	SCREW M5 L=14				2
61	NM6050001SC	NUT M5X0.8 TYPE1				4
62	WP0531001SC	WASHER M5				4
63	SK3512001SE	WOOD SCREW D=5.1 L=20				2
64	HX00150000A	CABLE CLAMP				1
65	SK3311601SE	WOOD SCREW D=3.1 L=16				1
66	40189227	VOLTAGE SEAL 1PHASE 200V	SELECTIVE PARTS (BY SETTING			2
67	40189228	VOLTAGE SEAL 1PHASE 220V	SELECTIVE PARTS (BY SETTING			2
68	40189229	VOLTAGE SEAL 1PHASE 240V	SELECTIVE PARTS (BY SETTING			2
69	40189230	VOLTAGE SEAL 3PHASE 200V	SELECTIVE PARTS (BY SETTING			2
70	40189231	VOLTAGE SEAL 3PHASE 220V	SELECTIVE PARTS (BY SETTING			2
71	40189232	VOLTAGE SEAL 3PHASE 240V	SELECTIVE PARTS (BY SETTING			2
72	EA9500B0100	CABLE BAND	FOR 6030			1

WIRING DIAGRAM (AW-3)



WIRING DIAGRAM (AW-3)

No.	Parts No.	Parts name	Remarks	Level	Cons	Qty
1	40179219	AW3 CPU PCB A ASSY				1
2	40179812	AW3 DRV PCB ASSY				1
3	40179821	AW3 INT PCB ASSY				1
4	40182069	I/F CABLE ASSY				1
5	GAW02769DA0	FAN MOTOR ASM.				1
6	GAW02753000	POWER TRANSFORMER				1
7	HK043450060	TERMINAL BASE				1
8	40182068	POWER CABLE ASSY				1
9	40182070	SENSOR EXT. CABLE ASSY				1
10	GAW02761000	CPU-DRV CONNECTING CORD ASM.				1
11	GAW027620A0	CPU-DRV POWER CORD ASM.				1
12	40182071	SENSOR RELAY CABLE ASSY				1
13	HD00057000A	PHOTO SENSOR				3
14	40180185	THREAD MEASURING MOTOR CABLE A				1
15	40180195	THREAD MEASURING MOTOR				1
16	40179816	LED EXT. CABLE ASSY				1
17	GAW028380A0	LED ASM.				1
18	GAW027730A0	SOLENOID VALVE ASM.				1
19	40182073	DRV-INT CONNECTING CABLE ASSY				1
20	40182072	CPU-INT CONNECTING CABLE ASSY				1
21	40180188	ROTATING MOTOR				1
22	GAW02852000	HORIZONTAL FEED MOTOR				1
23	40180190	MOVING KNIFE MOTOR				1
24	GAW02854000	WINDING MOTOR				1
25	GAW02855000	UNWINDING MOTOR				1
26	40180193	NOZZLE MOTOR				1
27	40180181	ROTATING SENSOR ASSY				1
28	40180182	HORIZONTAL FEED SENSOR ASSY				1
29	40180183	MOVING KNIFE SENSOR ASSY				1
30	40180184	NOZZLE SENSOR ASSY				1
31	GAW028650A0	UNWINDING SENSOR A ASM.				1
32	GAW028660A0	UNWINDING SENSOR B ASM.				1
33	GAW028670A0A	DUMMY SENSOR ASM.				1

NUMERICAL INDEX OF PARTS

PART NO	PAGE	REF NO.	PART NO	PAGE	REF NO.	PART NO	PAGE	REF NO.
10102200	80	13	22920508	2	16	40000056	66	15-16
10126704	28	9	22921506	36	29	40000056	70	3-4
10502300	2	35	22928808	36	28	40003458	66	42
11045002	100	30	22932800	80	18	40003970	24	46
11045101	100	32	22933105	80	10	40005393	66	33
11045200	100	31	22933204	80	8	40005393	70	18-19
11072402	2	47	22955504	34	35	40005394	66	35
11301405	96	49	22955900	34	7	40005394	70	20
12209706	10	77	22956007	34	8	40005401	66	22
12209706	14	77	22956908	34	14	40005401	70	8
12219705	28	14	23517501	38	4~7	40005706	66	20
13122403	20	23	23517600	38	4~7	40005726	66	36
13122452	20	22	23517709	38	4~7	40005726	70	21
13160304	106	59	23517808	38	4~7	40005727	66	37
13518501	32	55	23604200	16	2	40005727	70	22
13705108	2	21	23610108	20	39	40006323	80	7
13744909	98	15	23618606	30	7	40006484	2	37
13887005	44	88	23618606	42	35	40006515	18	50
13887005	50	88	23618606	48	35	40006516	18	52
14113450	4	49	23630007	32	70	40006516	32	66
14113468	2	46	26023408	56	4	40006617	36	5
14115554	6	31	26037200	2	41	40006622	36	25
14115554	70	40-44	26211904	2	12	40006625	36	4
14432504	32	56	26217505	88	10	40006666	38	21
14435705	30	20	26217505	92	11	40006836	2	43
14435804	28	34	26217505	102	70	40006840	2	45
14439608	38	25	26217604	88	25	40006840	32	68
14440309	38	27	26217604	92	6	40010414	102	63
14440457	38	28	26218602	36	31	40010415	16	5
14440556	38	29	26226001	24	42	40010418	16	7
16870206	74	36	26230706	28	20	40010422	16	9
17845009	66	27	26260109	6	5	40010423	16	10
18035204	78	33	26260208	6	6	40010424	16	11
18035303	78	24	26260307	6	7	40010425	16	12
18035600	78	35	26260406	6	8	40010426	16	13
18035709	78	34	26260505	6	9	40010427	16	14
22891006	16	25	26260604	6	10	40010434	16	33
22891204	16	34	26260703	6	11	40010443	40	49
22901409	18	62	26260802	6	12	40010477	36	6
22901805	6	3	26261206	6	16	40010478	36	41
22901805	110	56	26261305	6	17	40010479	36	8
22902506	2	4	26261503	6	18	40010487	36	17
22907505	20	45	26261602	6	19	40010489	36	23
22907554	20	44	26261701	6	20	40010490	36	20
22907604	20	46	26910059	62	25	40010497	36	21

NUMERICAL INDEX OF PARTS

PART NO	PAGE	REF NO.	PART NO	PAGE	REF NO.	PART NO	PAGE	REF NO.
40010498	36	22	40025428	20	11	40032716	88	21
40010503	36	27	40025429	20	26	40032763	80	16
40010504	36	30	40025431	20	1	40033831	72	55
40010509	36	34	40025440	34	36	40033831	78	1
40010510	36	35	40026817	24	4	40033875	72	56
40010511	36	36	40026819	24	9	40033875	82	23
40010512	36	37	40026882	18	57	40035024	64	36
40010513	36	38	40026979	2	3	40037500	34	32
40010514	36	39	40027870	24	37	40037501	34	33
40010515	36	40	40027971	2	11	40040230	10	62
40010521	36	43	40028834	2	30	40040230	14	62
40010522	36	44	40028835	2	31	40040230	72	54
40010523	36	33	40028877	2	28	40040238	72	49
40010533	18	54	40029411	36	32	40040256	38	8
40012965	20	19	40029412	36	42	40042352	78	2
40013640	6	29	40029419	20	36	40043321	26	53
40013721	28	25	40029420	24	5	40044053	16	46
40023624	22	58	40029420	30	45	40044053	32	62
40023624	38	13	40030615	24	15	40044823	104	41
40023631	22	49	40030616	22	65	40048529	70	45
40023635	56	5	40030617	20	4	40050647	80	20
40023644	56	2	40030620	20	31	40051473	16	42
40023866	6	14	40030621	22	55	40051501	10	61
40023993	36	12	40030623	20	47	40051501	14	61
40023999	36	15	40030625	24	1	40051640	66	43·50
40024988	20	29	40030626	24	2	40051769	58	49
40024989	24	24	40030627	24	3	40051770	56	43
40024991	20	40	40030628	22	62~64	40051987	2	40
40024997	8	41	40030629	22	62~64	40052937	18	60
40024997	12	41	40030630	22	62~64	40052937	70	23
40024999	2	6	40030828	2	8	40055355	66	1
40025011	20	13	40030936	38	1	40057278	68	43·50
40025012	20	5	40030956	34	6	40058949	10	92
40025014	10	54	40031336	6	28	40058949	14	70
40025014	14	54	40032158	2	1	40068833	20	14
40025016	24	31	40032159	2	26	40068834	20	28
40025030	24	36	40032179	24	7	40068835	20	7
40025414	2	14	40032180	24	17	40071942	70	28
40025415	20	8	40032181	24	22	40071944	70	31
40025418	24	33	40032229	56	13	40071945	70	34
40025419	24	47	40032343	36	11	40072074	8	12
40025420	24	44	40032345	36	14	40072074	12	12
40025423	24	8	40032483	24	6	40072075	12	15
40025426	24	27	40032693	84	16	40072076	8	15
40025427	20	2	40032715	88	19	40072077	74	2

NUMERICAL INDEX OF PARTS

PART NO	PAGE	REF NO.	PART NO	PAGE	REF NO.	PART NO	PAGE	REF NO.
40072078	8	25	40072130	42	4	40072180	12	17
40072078	12	25	40072131	42	33	40072183	14	69
40072079	8	20	40072132	48	33	40072184	8	17
40072079	12	20	40072133	44	74	40072186	10	69
40072080	8	21	40072133	50	74	40072187	12	16
40072080	12	21	40072135	56	1	40072189	14	68
40072081	8	19	40072136	56	28·59	40072191	8	16
40072081	12	19	40072137	58	28·59	40072193	10	68
40072086	16	8	40072138	56	46·60	40072195	8	22
40072087	74	3	40072139	58	46·60	40072195	12	22
40072088	32	48	40072143	8	23	40072206	74	4
40072111	36	26	40072143	12	23	40072207	30	3
40072112	42	13	40072151	70	42	40072208	32	49
40072112	48	13	40072152	42	9	40072209	44	72
40072113	42	2	40072153	48	4	40072209	50	72
40072113	48	2	40072154	80	11	40072211	38	45
40072114	42	12	40072155	54	5	40072212	10	81
40072114	48	12	40072156	42	26	40072212	14	81
40072115	42	3	40072160	42	1	40072213	10	80
40072115	48	3	40072160	48	1	40072213	14	80
40072116	42	14	40072161	58	52·61	40072214	10	79
40072116	48	14	40072162	58	52·61	40072214	14	79
40072117	42	15	40072163	56	40	40072220	60	1
40072117	48	15	40072166	42	5	40072223	74	5
40072118	42	16	40072166	48	5	40072226	42	10
40072118	48	16	40072167	42	7	40072226	48	10
40072119	42	17	40072167	48	7	40072227	44	94
40072119	48	17	40072168	42	8	40072227	50	94
40072120	42	23	40072168	48	8	40072228	38	10
40072121	48	23	40072169	42	6	40072231	74	41
40072122	42	24	40072170	48	6	40072233	16	39
40072122	48	24	40072171	42	18	40073216	74	20
40072123	48	26	40072171	48	18	40073222	74	6
40072124	42	27	40072173	30	9	40073224	74	7
40072124	48	27	40072174	8	18	40073225	74	8
40072125	42	28	40072174	12	18	40073226	74	9
40072125	48	28	40072176	10	51	40073227	74	12
40072126	42	29	40072176	14	51	40073230	74	13
40072126	48	29	40072177	10	60	40073231	74	14
40072127	44	81	40072177	14	60	40073620	70	24·35
40072127	50	81	40072178	10	59	40073621	70	25·36
40072128	42	21	40072178	14	59	40073622	70	32·50
40072128	48	21	40072179	10	53	40073623	70	29·58
40072129	42	20	40072179	14	53	40073632	70	37
40072129	48	20	40072179	104	9	40073638	70	38

NUMERICAL INDEX OF PARTS

PART NO	PAGE	REF NO.	PART NO	PAGE	REF NO.	PART NO	PAGE	REF NO.
40073639	70	33	40085787	62	5	40096034	64	32
40073640	70	30	40085788	62	6	40096034	70	14~17
40073659	68	46	40085789	62	7	40096035	64	33
40073659	70	26	40085790	62	8	40096035	70	14~17
40073660	36	1	40085791	62	9	40096050	70	14~17
40073660	70	41	40085792	62	10	40096051	64	34
40073671	72	47	40085793	62	11	40096051	70	7
40073672	72	48	40085794	62	12	40096186	16	29·30
40073675	72	51	40085795	62	13	40096209	16	31·32
40073676	2	33	40085796	62	16	40096325	62	14
40073676	72	52	40085820	56	14	40096326	62	17
40073678	2	25	40085824	56	34	40096327	62	19
40073678	72	53	40085830	56	33	40096354	62	1
40074051	64	18	40086349	34	11	40097301	80	23
40074127	82	22	40086350	34	9	40101763	10	50
40075391	70	46	40086351	34	28	40101764	14	50
40076294	34	41	40086352	34	15	40103968	38	19
40076736	82	1	40086353	34	10	40103969	24	20
40076738	82	2	40086354	34	27	40104419	54	11
40077604	18	55	40086355	34	5	40106576	62	28
40077605	18	56	40086357	34	12	40106579	62	29
40077925	22	56	40086358	34	13	40106580	62	27
40078079	16	35	40086384	30	6	40106583	62	26
40078083	16	27	40086384	42	34	40106615	34	1
40078088	16	23	40086384	48	34	40106616	34	4
40078106	16	22	40086468	64	30	40108280	70	39·43
40078107	18	68	40086468	70	14~17	40108754	84	41
40078113	22	57	40086485	64	1	40111079	70	5
40078133	20	43	40086485	70	6	40111079	78	36
40078135	16	29·30	40086541	64	5	40126375	98	4
40078160	16	43	40089584	74	25·43	40134981	80	2
40078163	64	2	40090431	74	44	40135366	28	2
40078168	64	9	40090432	10	90	40135370	38	32
40080799	64	3	40090432	14	90	40136163	74	25·43
40080800	64	4	40090785	8	4	40139091	106	58
40081603	76	49	40090785	12	4	40151059	104	25
40082017	10	88	40091894	34	16	40162838	66	15·16
40082017	14	88	40094018	66	2	40162838	70	3·4
40082758	66	13	40094019	66	3	40163025	70	18·19
40082758	70	2	40096030	66	29	40163063	70	40·44
40083666	64	7	40096030	70	9~11	40163253	70	24·35
40083668	64	6	40096031	66	30	40163254	70	25·36
40085784	62	2	40096031	70	9~11	40163255	72	32·50
40085785	62	3	40096032	66	31	40163256	72	29·58
40085786	62	4	40096032	70	9~11	40163258	70	39·43

NUMERICAL INDEX OF PARTS

PART NO	PAGE	REF NO.	PART NO	PAGE	REF NO.	PART NO	PAGE	REF NO.
40166481	64	10	40180185	108	34	40182618	88	1
40173311	6	4	40180185	112	14	40182618	92	1
40173312	6	13	40180188	84	38	40182620	88	13
40173314	6	15	40180188	112	21	40182620	92	25
40173315	16	16	40180190	94	16	40182621	88	17
40173316	16	17	40180190	112	23	40182621	92	2
40173317	16	18	40180193	96	51	40182623	88	37
40173318	16	26	40180193	112	26	40182624	88	41
40173320	30	1	40180195	102	69	40182625	90	52
40173322	30	15	40180195	112	15	40182626	90	56
40173323	30	17	40182068	108	30	40182627	92	27
40173324	30	18	40182068	112	8	40182628	92	31
40173325	30	29	40182069	108	35	40182629	92	33
40173326	30	32	40182069	112	4	40182630	94	10
40173327	30	34	40182070	108	36	40182631	94	15
40173331	30	39	40182070	112	9	40182632	94	18
40173332	30	41	40182071	102	72	40182633	94	23
40173333	30	42	40182071	112	12	40182634	94	30
40173334	30	43	40182072	108	32	40182635	94	46
40173335	30	44	40182072	112	20	40182636	96	55
40173336	30	40	40182073	108	33	40182637	96	56
40173337	28	21	40182073	112	19	40182638	96	60
40173339	40	55	40182431	66	11	40182639	96	65
40173341	28	6	40182431	70	1	40182640	104	14
40173343	38	31	40182446	110	55	40182642	108	6
40173345	18	61	40182450	104	1	40182643	28	22
40176341	30	11	40182481	98	1	40182651	74	47-48
40179219	108	19	40182600	98	5	40182653	108	1
40179219	112	1	40182601	98	6	40182654	28	3
40179812	108	20	40182602	88	45	40182655	38	23
40179812	112	2	40182602	98	7	40182656	38	42
40179815	102	77	40182603	98	25	40182657	38	43
40179816	110	52	40182604	98	28	40182659	28	4
40179816	112	16	40182605	98	29	40182660	74	1
40179818	110	53	40182606	86	79	40182664	104	7
40179821	106	49	40182607	84	2	40182665	10	52
40179821	112	3	40182608	84	5	40182665	14	52
40180181	84	45	40182609	84	7	40182666	88	32
40180181	112	27	40182610	84	47	40182667	104	21
40180182	86	73	40182611	86	49	40182671	106	53
40180182	112	28	40182612	86	63	40182674	8	44
40180183	94	28	40182613	86	64	40182674	12	44
40180183	112	29	40182614	86	72	40182675	8	45
40180184	96	58	40182615	86	75	40182675	12	45
40180184	112	30	40182616	86	77	40182676	28	8

NUMERICAL INDEX OF PARTS

PART NO	PAGE	REF NO.	PART NO	PAGE	REF NO.	PART NO	PAGE	REF NO.
40182679	28	23	B1414555000	18	59	B2560220000	56	47
40182695	76	47·48	B1504210000	56	3	B2563215000	58	57
40183430	108	5	B151902600G	44	83	B2567223C00	56	31
40185843	32	51	B151902600G	50	83	B2567223CA0	56	30
40187583	104	5	B1601210D0CA	22	50	B2568223C00	56	20
40188163	38	15	B161121000A	22	48	B2568224C00	56	27
40189218	40	58	B1634210D00	22	53	B2569229000	56	36
40189227	110	66~71	B1636581A00	20	15~18	B2626372000	28	13
40189228	110	66~71	B1636581B00	20	15~18	B3126012000	4	50
40189229	110	66~71	B1636581C00	20	15~18	B3126012000	100	49
40189230	110	66~71	B1636581D00	20	15~18	B3126012000	102	49
40189231	110	66~71	B1641562000	24	41	B3132552000	100	52
40189232	110	66~71	B1705850000	16	31·32	B3132552000	102	52
40189452	38	24	B1802180000	42	47	B4022221D00	44	79
40189666	108	7	B1802180000	48	47	B4022221D00	50	79
A1230500000A	18	48	B1816215P00	40	48	B471122000C	56	8
A1230500000A	32	64	B1816280000	44	84	B471122000D	56	9
B1111220000A	8	1	B1816280000	50	84	B471122000G	56	10
B1111220000A	12	1	B1816280000	56	35	B471122000H	56	11
B1114280000	4	53	B1820210D00	28	15	B47152150A0	60	12
B1115220000	8	2	B1821210D00	28	16	B47152150A0	70	27
B1115220000	12	2	B1847221D00	28	33	B8111220000	10	85
B1120223C00	8	3	B1903552000	16	28	B8111220000	14	85
B1120223C00	12	3	B1908505000	16	19	B8112220000	10	83
B1129210000	2	19	B2107210D00	34	2	B8112220000	14	83
B1131528000	80	12	B2107210D0B	34	42	B8117223C00	74	22
B1144210000	16	45	B24142800A0	38	30	B8118223C00	74	23
B1144210000	32	61	B2416280000	38	40	B8171223C00	74	24
B1157215000	8	27	B2417280000	38	41	B8202205000	10	84
B1157215000	12	27	B242328000A	38	35	B8202205000	14	84
B1158224C00	44	80	B242328000B	38	36	B8601WP10A0	80	19
B1158224C00	50	80	B242328000C	38	37	B9101490000	80	15
B1182223C00	8	24	B242328000D	38	38	B9113012000	80	5
B1182223C00	12	24	B242328000E	38	39	B9121012000	10	87
B1193223C00	8	26	B2525223C00	54	1	B9121012000	14	87
B1193223C00	12	26	B2526223C00	54	2	B91212200A0	80	9
B1212210D00	16	44	B2534223C00	42	19	B9140372000	80	6
B1212210D00	32	60	B2534223C00	48	19	BME01100000	64	25·26
B1228232000	36	46	B2537221D00	54	4	BME03200000	64	25·26
B1408180000	20	32	B2539223C00	42	22	BP500000000	28	17
B14115520A0	18	58	B2539223C00	48	22	BT0400251EB	56	18
B1411804A00	28	27~30	B2548223C00	42	30	BT0400251EB	78	30~32
B1411804B00	28	27~30	B2548223C00	48	30	BT0400251EB	82	19
B1411804C00	28	27~30	B2549223C00	42	31	BT0400251EB	104	34
B1411804D00	28	27~30	B2549223C00	48	31	BT0600401EB	60	8

NUMERICAL INDEX OF PARTS

PART NO	PAGE	REF NO.	PART NO	PAGE	REF NO.	PART NO	PAGE	REF NO.
BT0600401EB	82	15	D9103555D00	80	1	GAW02113000	84	20
BT0600401EB	102	67	E2131172000	94	54	GAW02114000	84	22
BT0600401EB	104	48	E2131172000	96	54	GAW02115000	84	25
BT0600401EB	106	48	E2678453000	60	23	GAW02116000	84	26
BT0600401EB	110	48	E9567319000	66	41	GAW02121000	84	28
BT0700500EA	28	19	E9567319000	108	40	GAW02122000	84	31
BT0800501EB	102	58	E9607603000	66	40	GAW021220A0	84	30
BT1601001Z0	102	81	EA9500B0000	106	60	GAW02123000	84	33
BT1601001Z0	104	26	EA9500B0100	6	37	GAW02131000	86	52
CM100100001	6	32	EA9500B0100	26	50	GAW021310A0	86	51
CM200100001	68	49	EA9500B0100	28	24	GAW02132000	86	54
CM300100003	64	27	EA9500B0100	46	97	GAW02133000	86	55
CM300100004	108	41	EA9500B0100	48	9	GAW02134000	86	59
CM300100401	64	23-24	EA9500B0100	60	21	GAW02136000	86	70
CM300200001	4	55	EA9500B0100	68	48	GAW02136000	90	54
CM300200001	94	37	EA9500B0100	74	40	GAW02139000	86	58
CM300200001	102	78	EA9500B0100	78	19	GAW02140000	86	61
CM300200003	58	56	EA9500B0100	82	21	GAW02202A00	88	2
CM300400601	64	28-29	EA9500B0100	98	32	GAW02202A00	92	16
CM300400701	64	28-29	EA9500B0100	102	73	GAW02203000	88	4
CM301200001	6	1	EA9500B0100	110	72	GAW02203000	92	4
CM600100101	6	33	EA9500B0200	6	38	GAW02204A00	88	15
CM600100101	64	14	EA9500B0200	24	23	GAW02204A00	92	20
CM600100101	68	52	EA9500B0200	98	33	GAW02205000	88	5
CM600100201	80	17	G2301309000	100	47	GAW02205000	92	8
CQ200000000	8	46	G2302309000	100	48	GAW02208000	88	7
CQ200000000	12	46	G2302309000	102	48	GAW02208000	92	12
CQ200000000	28	18	G5430116000	60	17	GAW02209000	88	11
CQ200000000	32	69	G611387500A	10	74	GAW02209000	92	14
CQ303000000	20	3	G611387500A	14	74	GAW02211000	92	10
CS079073ASH	20	33	G8124270000	60	14	GAW02211A00	88	9
CS0800881TP	24	29	GAF01007000	18	49	GAW02213000	88	22
CS0800881TP	96	66	GAF01007000	32	65	GAW02213000	92	23
CS0800971TP	28	31	GAT23303000	84	53	GAW02221AA0	88	28
CS1000811SP	30	27	GAT23303000	86	53	GAW02223000	88	33
CS100081CSP	30	26	GAW01246000	100	3	GAW02229000	88	46
CS1200981TP	44	90	GAW01248000	100	11	GAW02231000	88	42
CS1200981TP	50	90	GAW01506000	94	35	GAW02245000	92	18
D1830141EA0	28	1	GAW01507000	84	40	GAW02246000	92	22
D2304212T0T	102	55	GAW01507000	96	70	GAW02247000	92	29
D3129555D00	100	50	GAW02105000	84	9	GAW023010B0	94	1
D3129555D00	102	50	GAW02106000	84	11	GAW023020A0	94	3
D7133555B00	4	51	GAW02107000	84	13	GAW023050A0	94	4
D8001D15A0Y	78	3	GAW02111000	84	15	GAW02308000	94	6
D8002D15A0Y	78	28	GAW02112000	84	19	GAW02309000	94	12

NUMERICAL INDEX OF PARTS

PART NO	PAGE	REF NO.	PART NO	PAGE	REF NO.	PART NO	PAGE	REF NO.
GAW02321A00	94	21	GAW02753000	108	9	HK034640000	60	20
GAW02323000	94	24	GAW02753000	112	6	HK03464000B	34	18
GAW02324000	94	26	GAW02761000	108	28	HK043450060	108	11
GAW02325000	94	53	GAW02761000	112	10	HK043450060	112	7
GAW02325000	96	53	GAW027620A0	108	29	HK096850040	110	59
GAW02327A00	94	32	GAW027620A0	112	11	HM0003800A0	108	15
GAW02328A00	94	34	GAW02769DA0	108	14	HN001490000	68	47
GAW02331000	94	38	GAW02769DA0	112	5	HW002650330	64	15
GAW02332000	94	40	GAW027730A0	108	42	HW200390000	34	20
GAW02341A00	94	42	GAW027730A0	112	18	HW500070000	34	21
GAW02343000A	96	48	GAW02782000	108	13	HX00065000A	40	57
GAW023510A0	96	62	GAW028380A0	110	51	HX00065000B	104	27
GAW02352A00	96	64	GAW028380A0	112	17	HX000960000	106	52·54
GAW02354000	96	69	GAW02852000	86	68	HX00150000A	6	42
GAW02357000	98	24	GAW02852000	112	22	HX00150000A	98	34
GAW02361A00	100	2	GAW02854000	94	8	HX00150000A	110	64
GAW02361AA0	100	1	GAW02854000	112	24	HX00150000B	74	45
GAW02362A00	100	7	GAW02855000	90	50	HX00150000B	96	74
GAW02363A00	100	12	GAW02855000	112	25	HX00150000B	104	30
GAW02364A00	100	14	GAW028650A0	88	38·39	HX00150000C	40	53
GAW02365000	100	16	GAW028650A0	112	31	HX00150000C	102	76
GAW023660A0	100	17	GAW028660A0	88	38·39	HX00150000D	6	35
GAW023680A0	100	21	GAW028660A0	112	32	HX00150000D	96	73
GAW02369000	100	23	GAW028670A0A	98	11	HX00150000D	98	35
GAW02370000	100	24	GAW028670A0A	112	33	HX00150000D	104	32
GAW02371000	100	34	GEP01013000	78	20	HX00150000D	108	27
GAW023710A0	100	29	GPK470010AB	72	57	HX00150000E	6	41
GAW02372000	100	53	GPK470010AB	82	18	HX00150000E	78	37
GAW02372000	102	53	GSS36020000	104	43	HX00150000E	82	24
GAW023720A0	100	46	HA005820000	64	16	HX00150000E	98	36
GAW02372AA0	100	37	HA005820000	70	13	HX00150000E	102	74
GAW02373000	100	9	HA006000000	34	19	HX00150000E	104	45
GAW02374000	102	68	HD00057000A	26	48	HX00150000F	6	34
GAW02404000	98	20	HD00057000A	38	17	HX00150000H	6	36
GAW02405000	98	22	HD00057000A	42	40	HX00150000H	74	38
GAW02407000	106	51	HD00057000A	48	40	HX00150000H	98	37
GAW02409000	106	56	HD00057000A	70	12	HX00188000D	108	37
GAW02410000	98	18	HD00057000A	100	27	HX00188000F	108	38
GAW02573000	104	17	HD00057000A	112	13	HX002330000	56	19
GAW02601000	84	43	HF00130315S	64	20~22	HX00252000B	108	39
GAW02603000	94	27	HF0013050P0	64	20~22	HX00307000D	10	89
GAW02607000	84	44	HF003000200	64	20~22	HX00307000D	14	89
GAW02613000	96	71	HF0037060PA	80	22	HX00314000A	78	18
GAW02621000	84	27	HK034610020	34	17	HX00326000B	74	26·51
GAW02622000	98	30	HK034610040	60	19	HX00326000B	76	26·51

NUMERICAL INDEX OF PARTS

PART NO	PAGE	REF NO.	PART NO	PAGE	REF NO.	PART NO	PAGE	REF NO.
HX00326000G	74	28	NM6050001SP	38	12	PJ301065201	104	42
HX00326000K	66	45	NM6050001SP	42	37	PJ303040002	78	29
HX00326000M	74	27	NM6050001SP	48	37	PJ303040002	104	38
HX003390000	10	64	NM6060001SC	108	4	PJ303060001	104	44
HX003390000	14	64	NM6080001SC	66	44	PJ304060502	88	44
HX003390000	66	18	NM6080001SC	74	37	PJ304065201	82	4
HX003390000	108	21	NM6080002SC	84	35	PJ305065107	82	7
HX00339000D	108	22	NM6100001SE	74	15	PJ305065202	60	15
HX00354000B	64	12	NM6120001SE	74	16	PJ305065204	82	5
HX00364000E	58	53	NM6120011SF	8	5	PJ308040002	78	27
HX003670000	106	52-54	NM6120011SF	12	5	PJ308040002	82	20
HX004070000	66	26	NM6160001SC	74	17	PJ308040002	104	39
HX00410000A	66	32	NM6160511SE	102	56	PJ308060004	104	40
HX005110000	66	39	NM6850001SC	98	17	PJ308060004	108	47
KM000000480	66	23	NS6090310SP	34	22	PJ308060005	82	8
M300451100A	64	19	NS6110310SP	4	48	PJ309005203	60	18
M3801476000	66	6	NS6110350SP	94	45	PJ309040501	96	72
M4206461000	66	10	NS6110420SP	100	35	PS0150065KP	8	67
M90295800A0	68	53	NS6660430SP	100	54	PS0150065KP	10	67
M90345800A0	64	31	NS6660430SP	102	54	PS0150065KP	12	67
MAT81163T00	104	46	PA0600504A0	100	51	PS0150065KP	14	67
MC372001600	16	37-38	PA0600504A0	102	51	PS0150065KP	56	32
MC372001602	80	3-4	PA1001026A0	84	23	PS0400141KH	74	29
MDP170B2300	16	37-38	PA1001027A0	94	43	PS0400142KH	16	47
MDP170B2302	80	3-4	PA1602509A0	56	6	PS0400142KH	32	63
NM3040520SC	66	25	PC012401000	56	26	PV010502000	78	12
NM3050610SF	8	13	PC012406000	82	9	PV1351270A0	60	5
NM3050610SF	12	13	PC012406000	106	61	PV135207000	82	3
NM6030001SC	36	24	PC012601000	104	36	PV150209100	60	4
NM6030001SC	104	24	PF0552040B0	60	13	PV155113000	82	6
NM6030002SC	84	18	PH0300125S0	88	40	PV915005000	60	2
NM6030002SC	102	80	PH0400122C0	86	80	PX020002000	78	11
NM6040000SN	2	15	PJ025100002	110	49	PX055104000	60	7
NM6040001SC	88	49	PJ030520001	60	16	PX055104000	110	50
NM6040001SC	90	49	PJ042520002	60	25	PX500014000	78	14
NM6040001SC	108	18	PJ046052503	56	7	PX950001000	82	17
NM6040001SP	38	9	PJ046052503	84	24	PX950009000	60	22
NM6040002SE	62	34	PJ046052503	102	57	RC0100001KP	30	36
NM6040002SE	86	57	PJ210006200	108	46	RC0370411KP	34	24
NM6040002SE	98	10	PJ301040001	104	37	RC0560711KP	6	21
NM6040003SC	36	18	PJ301040501	78	13	RC0650811KP	20	25
NM6050001SC	34	23	PJ301040505	60	3	RC1200001KP	32	59
NM6050001SC	102	65	PJ301060003	60	10	RC1411018KP	30	25
NM6050001SC	110	61	PJ301065103	60	6	RC3781518KP	20	20
NM6050001SE	62	24	PJ301065103	108	45	RE0300000K0	56	12

NUMERICAL INDEX OF PARTS

PART NO	PAGE	REF NO.	PART NO	PAGE	REF NO.	PART NO	PAGE	REF NO.
RE030000K0	96	50	SB306000300	92	13	SL4032591SC	108	43
RE032000K0	56	25	SB30700020A	18	64~67	SL4033591SC	108	44
RE040000K0	6	22	SB30700020B	18	64~67	SL4040691SC	10	91
RE040000K0	88	26	SB30700020C	18	64~67	SL4040691SC	14	91
RE040000K0	92	7	SB30700020D	18	64~67	SL4040881SC	66	21
RE040000K0	100	25	SB31000080A	30	21~24	SL4040891SC	6	30
RE050000K0	34	25	SB31000080B	30	21~24	SL4040891SC	10	63
RE060000K0	42	39	SB31000080C	30	21~24	SL4040891SC	14	63
RE060000K0	48	39	SB31000080D	30	21~24	SL4040891SC	60	11
RE060000K0	84	67	SB312000600	44	87	SL4040891SC	66	38
RE060000K0	86	67	SB312000600	50	87	SL4040891SC	74	39
RE070000K0	24	35	SB408000100	24	13	SL4040891SC	78	38
RE090000K0	36	3	SB412000100	54	3	SL4040891SC	82	25
SB104001500	100	4	SB612000100	44	89	SL4040891SC	108	57
SB104001600	16	21	SB612000100	50	89	SL4040891SC	110	57
SB105001500	88	3	SD0550211SP	94	44	SL4041081SC	68	51
SB105001500	92	17	SD0800327TP	38	11	SL4041091SC	10	78
SB106000900	88	24	SD0800336TP	22	59	SL4041091SC	14	78
SB106000900	92	5	SD0800337TP	24	25	SL4041091SC	66	28
SB108000200	86	65	SD0800346TP	32	52	SL4041091SC	74	46
SB108000500	24	26	SD0800386TP	20	35	SL4041091SC	108	26
SB108000500	42	43	SD0800387TP	24	40	SL4041091SE	64	17
SB108000500	48	43	SD0800408TP	20	38	SL4043091SC	108	16
SB108000500	84	3	SD0800656TP	22	60	SL4043591SC	66	24
SB108002200	16	20	SD0800746TP	20	10	SL4051091SC	60	24
SB108002300	16	24	SD1000506TP	20	37	SL6030592TN	98	26
SB110000400	30	35	SK3271301SE	74	42	SL6030692TN	86	76
SB110002400	40	52	SK3311601SE	104	47	SL6030692TN	94	33
SB112000200	32	57	SK3311601SE	110	65	SL6030692TN	98	27
SB115000600	42	44	SK3382001SE	100	8	SL6030692TN	100	15
SB115000600	48	44	SK3413201SE	64	35	SL6030692TN	106	55
SB117000400	30	2	SK3512001SE	76	50	SL6030892TN	84	50
SB117000900	42	46	SK3512001SE	110	63	SL6030892TN	86	50
SB117000900	48	46	SL4030681SC	64	11	SL6030892TN	88	18
SB117001000	30	5	SL4030881SC	64	13	SL6030892TN	92	3
SB117001100	30	14	SL4031091SC	26	49	SL6030892TN	94	9
SB120000900	16	1	SL4031091SC	34	30	SL6030892TN	98	31
SB120001700	16	6	SL4031091SC	38	18	SL6030892TN	100	75
SB120001800	16	4	SL4031091SC	42	41	SL6030892TN	102	75
SB130000200	44	48	SL4031091SC	48	41	SL6031092TN	84	69
SB130000200	50	48	SL4031481SC	10	86	SL6031092TN	86	69
SB130000300	44	49	SL4031481SC	14	86	SL6031092TN	88	51
SB130000300	50	49	SL4031681SC	108	12	SL6031092TN	90	51
SB230000100	84	6	SL4031691SC	82	11	SL6031092TN	92	9
SB306000300	88	8	SL4032591SC	82	12	SL6031092TN	94	75

NUMERICAL INDEX OF PARTS

PART NO	PAGE	REF NO.	PART NO	PAGE	REF NO.	PART NO	PAGE	REF NO.
SL6031092TN	96	75	SL9082093SE	74	18	SM4051055SP	2	29
SL6031092TN	98	38	SM0030601SC	92	30	SM4051255SP	44	70
SL6031092TN	104	33	SM0030601SC	100	79	SM4051255SP	50	70
SL6031292TN	102	71	SM0030601SC	102	79	SM4051405SE	62	23
SL6031492TN	98	19	SM0030801SC	104	22	SM4051655SP	28	11
SL6031692TN	84	17	SM0051001SC	102	60	SM4051655SP	40	50
SL6031692TN	96	68	SM1030601SP	8	32	SM4055001SF	8	6
SL6040892TN	2	34	SM1030601SP	12	32	SM4055001SF	12	6
SL6040892TN	6	40	SM1040650TP	38	56	SM4061255SP	2	13
SL6040892TN	94	61	SM1040650TP	40	56	SM4061255SP	32	50
SL6040892TN	96	61	SM1040801SP	8	31	SM5040655SN	6	24
SL6040892TN	100	6	SM1040801SP	12	31	SM5040655SN	28	10
SL6041042TN	84	1	SM1040870TP	8	65	SM6021002TN	98	12
SL6041092TN	86	78	SM1040870TP	10	65	SM6030402TN	100	5
SL6041092TN	92	32	SM1040870TP	12	65	SM6030450TP	18	69
SL6041092TN	94	52	SM1040870TP	14	65	SM6030602TN	84	66
SL6041092TN	96	52	SM1040870TP	30	47	SM6030602TN	86	66
SL6041292TN	88	53	SM1040870TP	58	50	SM6030602TP	44	50
SL6041292TN	90	53	SM1041601SC	10	76	SM6030602TP	50	50
SL6041292TN	92	34	SM1041601SC	14	76	SM6030802TN	96	63
SL6041292TN	94	11	SM1061201SN	74	21	SM6030802TN	100	28
SL6041292TN	106	57	SM4030301SC	38	59	SM6031002TP	42	32
SL6041692TN	84	39	SM4030301SC	40	59	SM6031002TP	48	32
SL6041692TN	92	28	SM4030401SC	8	29	SM6031402TP	44	51
SL6041692TN	94	57	SM4030401SC	12	29	SM6031402TP	50	51
SL6041692TN	96	57	SM4030601SN	2	36	SM6040450TP	44	82
SL6042092TN	88	27	SM4030601SN	34	29	SM6040450TP	50	82
SL6042592TN	86	56	SM4040655SP	2	42	SM6040602TP	22	52
SL6042592TN	88	35	SM4040655SP	8	34	SM6040602TP	26	51
SL6051092TN	30	38	SM4040655SP	12	34	SM6040602TP	28	26
SL6051292TN	82	16	SM4040855SP	2	38	SM6040602TP	44	96
SL6051292TN	102	66	SM4040855SP	34	37	SM6040602TP	46	96
SL6051492TN	30	33	SM4041001SC	8	36	SM6040602TP	50	96
SL6051692TN	110	54	SM4041001SC	12	36	SM6040602TP	52	96
SL6052592TN	16	41	SM4041055SP	2	32	SM6040650TP	2	44
SL6062092TN	98	2	SM4041055SP	8	33	SM6040650TP	8	35
SL6062092TN	108	2	SM4041055SP	12	33	SM6040650TP	12	35
SL6062592TN	56	21	SM4041201SC	62	32	SM6040650TP	30	46
SL6062592TN	104	2	SM4041255SP	56	44	SM6040650TP	38	20
SL6063092TN	98	3	SM4041401SC	8	37	SM6040800SP	28	5
SL6082092TN	68	54	SM4041401SC	12	37	SM6040802TP	6	39
SL6083092TN	66	7	SM4042501SC	62	33	SM6040802TP	8	82
SL9061600SF	10	66	SM4050855SP	34	38	SM6040802TP	10	82
SL9061600SF	14	66	SM4051001SN	8	14	SM6040802TP	12	82
SL9061600SF	104	8	SM4051001SN	12	14	SM6040802TP	14	82

NUMERICAL INDEX OF PARTS

PART NO	PAGE	REF NO.	PART NO	PAGE	REF NO.	PART NO	PAGE	REF NO.
SM6040802TP	36	16	SM6061402TP	20	24	SM8050412TP	50	73
SM6040802TP	40	54	SM6061602TP	56	41	SM8050412TP	58	48
SM6040802TP	42	42	SM6061802TP	24	21	SM8050412TP	96	67
SM6040802TP	48	42	SM6061802TP	38	46	SM8050502TP	6	25
SM6040802TP	104	13	SM6062502TN	58	54	SM8050502TP	84	42
SM6040860TP	2	18	SM6062502TP	104	3	SM8050512TP	28	32
SM6040860TP	36	13	SM6087002TN	68	55	SM8050592TP	38	22
SM6040860TP	80	14	SM6450610TP	10	55	SM8050592TP	44	91
SM6041150TP	6	27	SM6450610TP	14	55	SM8050592TP	50	91
SM6041202TP	44	56	SM6450610TP	104	11	SM8050612TP	28	7
SM6041202TP	50	56	SM6850802TN	84	74	SM8050612TP	44	75
SM6041402TN	10	70	SM6850802TN	86	74	SM8050612TP	50	75
SM6041402TP	26	54	SM6850802TN	94	59	SM8050812TP	56	22
SM6041602TP	16	40	SM6850802TN	96	59	SM8050812TP	84	29
SM6050652TP	44	77	SM6851602TN	98	16	SM8060552TP	46	95
SM6050652TP	50	77	SM7030450SC	10	71	SM8060552TP	52	95
SM6050800SP	44	85	SM7030450SC	14	71	SM8060602TP	24	19
SM6050800SP	50	85	SM7751160TP	22	51	SM8060602TP	54	8
SM6050800SP	58	58	SM8030302TP	84	21	SM8060612TP	30	16
SM6050802TP	10	72	SM8030302TP	94	25	SM8060802TP	44	63
SM6050802TP	14	72	SM8030302TP	98	21	SM8060802TP	50	63
SM6050802TP	24	45	SM8030312TP	88	36	SM8060812TP	16	3
SM6051000SP	56	16	SM8030312TP	92	24	SM8060812TP	20	66
SM6051002TN	104	15	SM8030312TP	100	36	SM8060812TP	22	66
SM6051002TP	44	65	SM8030412TP	18	63	SM8060812TP	24	34
SM6051002TP	50	65	SM8030412TP	36	7	SM8060812TP	30	30
SM6051002TP	56	23	SM8030602TP	84	10	SM8060812TP	38	14
SM6051202TP	44	67	SM8040310SS	18	53	SM8060812TP	44	64
SM6051202TP	50	67	SM8040402TP	84	62	SM8060812TP	50	64
SM6051402TN	110	60	SM8040402TP	86	62	SM8061612TP	16	36
SM6051402TP	42	11	SM8040402TP	94	13	SM8061612TP	36	47
SM6051402TP	54	9	SM8040412TP	4	54	SM8480652TP	24	10
SM6051602TP	30	12	SM8040412TP	34	26	SM9087533SC	74	31
SM6051602TP	44	71	SM8040412TP	88	14	SM9124503SB	8	7
SM6051602TP	50	71	SM8040412TP	92	26	SM9124503SB	12	7
SM6051602TP	54	6	SM8040412TP	94	5	SM9129013SB	74	19
SM6051802TP	56	37	SM8040502TP	30	67	SS1060210TP	38	26
SM6052002TP	80	21	SM8040502TP	32	67	SS1110640TP	20	30
SM6052502TP	44	60	SM8040612TP	86	71	SS2090640TP	94	22
SM6052502TP	50	60	SM8040612TP	90	55	SS6090910SP	20	41
SM6053052TN	44	59	SM8040802TP	6	26	SS6111210SP	78	7~10
SM6060802TP	56	29	SM8041012TP	104	6	SS7111120TP	78	4~6
SM6061010TP	32	53	SM8050412TP	24	43	SS7111810TP	20	42
SM6061202TP	8	42	SM8050412TP	30	19	SS8110410TP	20	34
SM6061202TP	12	42	SM8050412TP	44	73	SS8110520TP	30	28

NUMERICAL INDEX OF PARTS

PART NO	PAGE	REF NO.	PART NO	PAGE	REF NO.	PART NO	PAGE	REF NO.
SS8660522TP	28	35	WP0450801SP	104	12	WP0850002SP	24	14
SS8660612TP	30	8	WP0450826SC	6	23	WP1021016SD	30	37
SS8660612TP	42	36	WP0450846SP	10	49	WP1221016SP	20	27
SS8660612TP	48	36	WP0450846SP	14	49	WP1221016SP	32	58
SS9151240SN	8	8	WP0450846SP	26	52	WP1302501SC	74	10
SS9151240SN	12	8	WP0450846SP	38	44	WP1302501SE	8	10
TA0550604R0	22	61	WP0482086SD	34	34	WP1302501SE	12	10
TA0550604R0	30	31	WP0510516SD	36	45	WP1612616SE	62	15
TA0750404R0	10	48	WP0520656SA	10	73	WS0210002KN	98	14
TA0750404R0	14	48	WP0520656SA	14	73	WS0410002KN	90	48
TA0750404R0	20	21	WP0520656SA	24	38	WS0410002KN	98	9
TA0850604R0	2	23	WP0522016SH	24	39	WS0410002KN	108	23
TA1050504R0	2	24	WP0531000SD	28	12	WS0451040KP	4	52
TA2100904R0	2	10	WP0531000SD	30	13	WS0451040KP	78	7~10
TA2100904R0	10	75	WP0531000SD	38	16	WS0510002KN	62	21
TA2100904R0	14	75	WP0531000SD	42	93	WS0610002KP	56	38
TA2351004R0	2	27	WP0531000SD	44	93	WS0820002KN	66	34
WP0220301SC	98	13	WP0531000SD	48	93	WS0820002KN	74	35
WP0320500SC	38	34	WP0531000SD	50	93	WS0820002KN	84	37
WP0320501SC	34	31	WP0531000SD	54	12	WS1220002KN	74	11
WP0320501SC	104	23	WP0531000SD	56	51	WS1253010KN	8	11
WP0320501SD	44	98	WP0531000SD	58	51	WS1253010KN	12	11
WP0320501SD	46	98	WP0531001SC	34	40	WT0430001KN	110	58
WP0320501SD	48	68	WP0531001SC	62	22	WZ0850302K0	24	28
WP0320501SD	50	68	WP0531001SC	102	64			
WP0330501SB	8	38	WP0531001SC	104	16			
WP0330501SB	12	38	WP0531001SC	110	62			
WP0430800SC	22	54	WP0553216SD	78	7~10			
WP0430800SD	42	45	WP0561616SC	8	9			
WP0430800SD	48	45	WP0561616SC	12	9			
WP0430801SC	36	10	WP0611626SP	20	9			
WP0430801SC	88	47	WP0611626SP	56	39			
WP0430801SC	98	8	WP0612066SP	104	4			
WP0430801SC	100	26	WP0641600SC	56	55			
WP0430801SC	108	24	WP0641600SC	58	55			
WP0450000SD	8	40	WP0641601SC	8	43			
WP0450000SD	12	40	WP0641601SC	12	43			
WP0450000SD	56	45	WP0641601SC	108	3			
WP0450801SD	2	39	WP0641601SD	32	54			
WP0450801SD	8	39	WP0651001SC	38	47			
WP0450801SD	12	39	WP0820516SP	16	15			
WP0450801SD	78	7~10	WP0841601SC	66	56			
WP0450801SP	10	58	WP0841601SC	68	56			
WP0450801SP	14	58	WP0841601SC	74	33			
WP0450801SP	34	39	WP0841601SC	84	36			