

MODEL : MF-7900DR-H24

List No : 1697-02

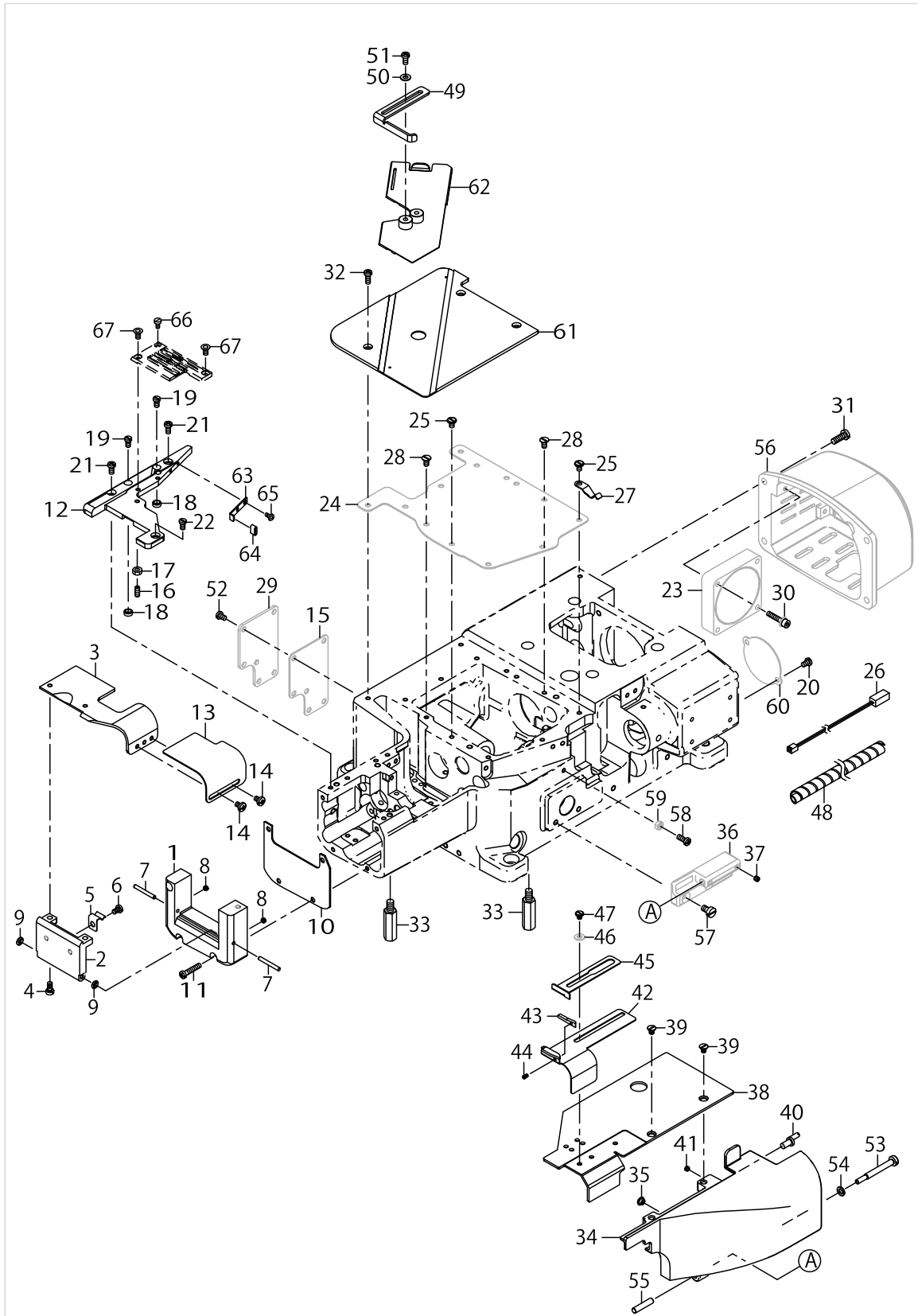
PARTS LIST

Published:09/10/2017

CONTENTS

MISCELLANEOUS COVER COMPONENTS.....	1
UPPER FEED COMPONENTS.....	5
THREAD TAKE-UP LEVER COMPONENTS.....	9
FABRIC TRIMMER LEFT COMPONENTS.....	13
NEEDLE BAR & PRESSER COMPONENTS.....	17
LOWER THREAD COMPONENTS	21
CONTROL BOX COMPONENTS	23
GAUGE COMPONENTS.....	29
LIST FOR INFORMATION OF CHANGE.....	33
HOW TO MAKE USE OF THIS PARTS LIST	34

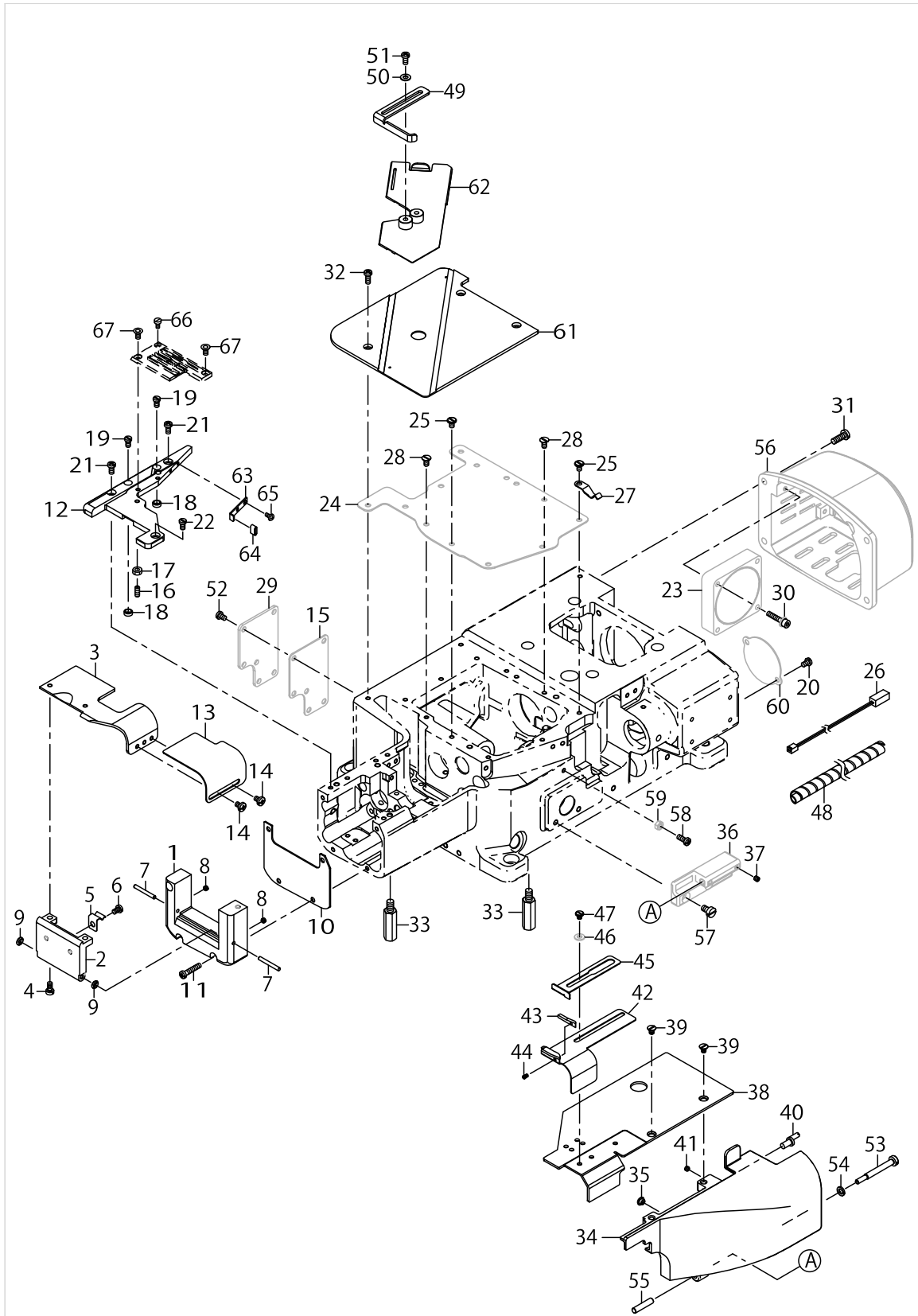
MISCELLANEOUS COVER COMPONENTS



MISCELLANEOUS COVER COMPONENTS

No.	Parts No.	Parts name	Remarks	Level	Cons	Qty
1	70001866	CYLINDER_COVER_H22				1
2	70001655	SIDE_COVER_BOTTOM				1
3	40155632	SIDE_COVER_UPPER_H24				1
4	SM6040800SP	SCREW				2
5	13401906	LATCH SPRING 2				1
6	SM4040655SP	SCREW M4 L=6				1
7	PH0300252C0	PARALLEL PIN TYPE B 3X25				2
8	SM8040360TP	SCREW				2
9	RO037180100	RUBBER RING				2
10	70001661	GASKET				1
11	SM4042055SP	SCREW				3
12	40178901	THROAT PLATE SUPPORT H22				1
13	40155633	SIDE_COVER				1
14	SM5040655SN	SCREW				2
15	70001643	COVER_FOR_FEED_ADJUST_PACKING				1
16	SM8041012TP	SCREW M4 L=10				1
17	NM6040000SN	NUT M4				1
18	40082196	ADJUSTING_COLLAR				2
19	SM60407C0TP	SCREW M4 L=7				2
20	SM4040655SP	SCREW M4 L=6				2
21	SM4040855SP	SCREW				2
22	SM60407C0TP	SCREW M4 L=7				1
23	40119461	HEAD FAN MOTOR A ASSY				1
24	70001663	GASKET_B				1
25	SM6040800SP	SCREW				6
26	70001457	FAN_CORD_ASSY				1
27	13402003	LATCH SPRING				1
28	SM1040860SP	SCREW				4
29	70001642	COVER_FOR_FEED_ADJUST				1
30	SL6042092TN	SCREW M4 L=20				2
31	SM4051455SP	SCREW M5 L=14				4
32	SM4041055SP	SCREW				3
33	13301809	SUPPORT STUD				4
34	40155634	SWING_DOWN_COVER				1
35	13302302	RUBBER BUMPER				1
36	70004374	HINGE				1
37	SM8040412TP	SET SCREW M4 L=4				2
38	40155636	CLOTH_PLATE_FRONT_H24				1
39	SM1040800SP	SCREW				2
40	13402706	PIN FOR COVER				1
41	SM8040360TP	SCREW				1
42	40155637	HEM_GUIDE_LEFT				1
43	40155638	HEM_GUIDE_BLOCK				1
44	SM6850350TP	FLAT SCREW				1
45	40155639	HEM_GUIDE_RIGHT				1
46	WP0430801SC	WASHER M4				1
47	SM6040450TP	SCREW M4 L=4				2

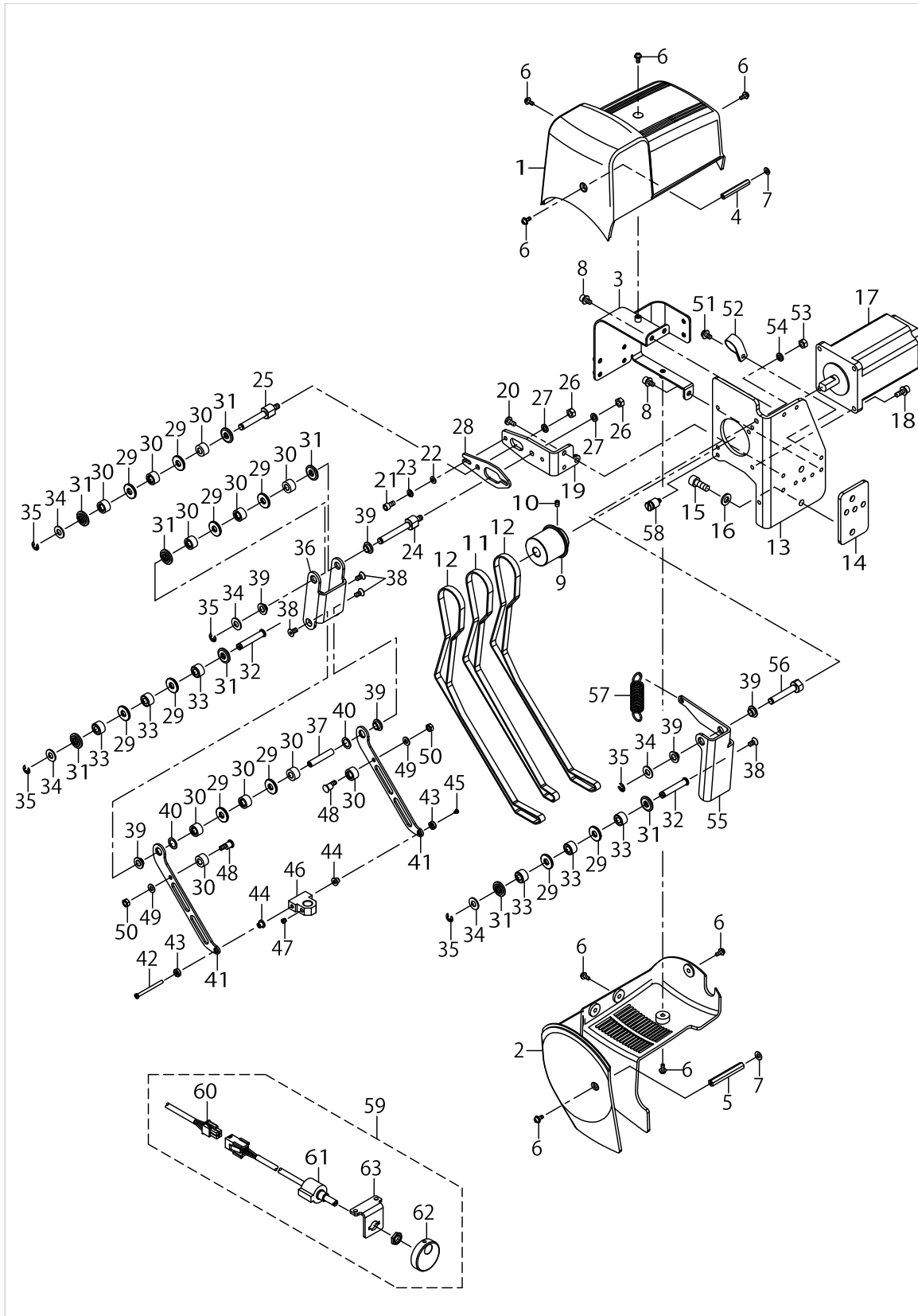
MISCELLANEOUS COVER COMPONENTS



MISCELLANEOUS COVER COMPONENTS

No.	Parts No.	Parts name	Remarks	Level	Cons	Qty
48	HX00314000D	SPIRAL TUBE				0.7
49	40040255	HEM_GUIDE				1
50	WP0430801SC	WASHER M4				2
51	SM4040855SP	SCREW				2
52	SM4040855SP	SCREW				6
53	70001414	SCREW				1
54	WS0510002KP	SPRING WASHER 5.1X9.2X1.3				1
55	13409800	DIFF_LINK_PIN				1
56	70001413	MOTOR_COVER				1
57	SM6050800SP	SCREW M5 L=8				2
58	SM4041055SP	SCREW				1
59	NM6040000SN	NUT M4				1
60	70004372	LOOPER_THD_COVER				1
61	70003355	CLOTH_PLATE_ASSY				1
62	13463351	SLIDE_COVER_ASSY_H20				1
63	13403407	SLIDE_COVER_SUPPORT				1
64	23630007	TUBE				0.005
65	SM4030655SP	SCREW				2
66	SM6030650TP	SCREW				1
67	40179074	SCREW				2

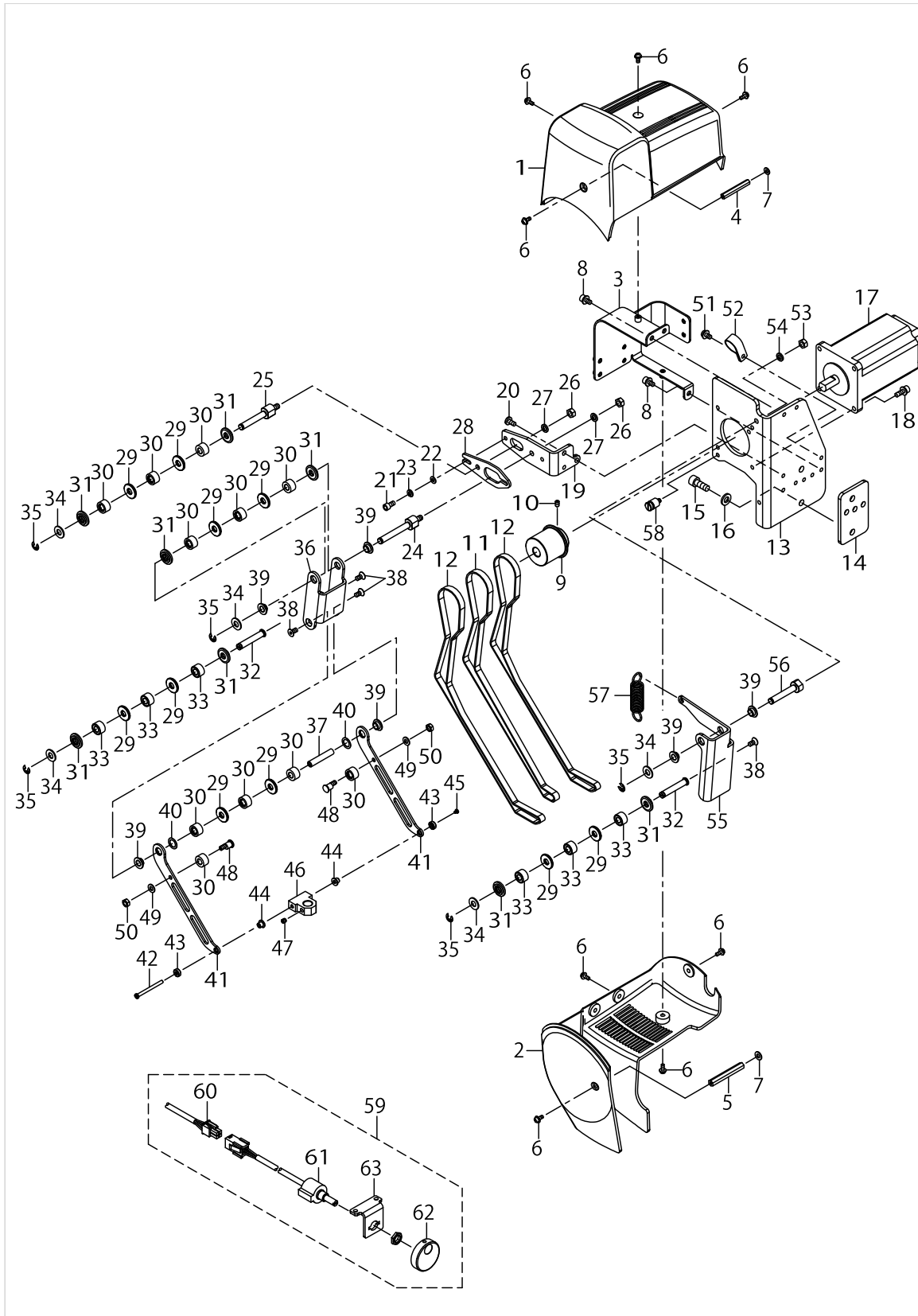
UPPER FEED COMPONENTS



UPPER FEED COMPONENTS

No.	Parts No.	Parts name	Remarks	Level	Cons	Qty
1	40179002	COVER_A				1
2	40179003	COVER_B				1
3	40179004	COVER_PLATE				1
4	40179008	COVER_STUD_L				1
5	40179007	COVER_STUD_S				1
6	SL4030891SC	SCREW M3 L=8				10
7	WP0531001SC	WASHER M5				2
8	SL6040892TN	SCREW M4 L=8				3
9	40179010	DRIVING_PULLEY_P50_F26				1
10	SM8040612TP	SCREW M4 L=6				2
11	40122551	BELT_6.7_606_2GT			☆	1
12	40179011	TIMING_BELT_646			☆	2
13	40179012	UPPER_FEED_BASE				1
14	40179013	SPACER				1
15	SM6061602TP	SCREW M6 L=16				2
16	WP0641601SC	WASHER M6				2
17	HM002300000	STEPPING MOTOR				1
18	SL6041292TN	SCREW M4 L=12				4
19	40179014	ROCKER_ARM_BASE				1
20	SM5040855SN	SCREW				3
21	SM6040802TP	SCREW M4X0.7 L=8				2
22	WP0430801SC	WASHER M4				2
23	WS0410002KN	SPRING WASHER M4				2
24	40179015	ROCKER_ARM_SHAFT_L				1
25	40179016	TENSION_PULLEY_SHAFT_L				1
26	NM6050001SC	NUT M5X0.8 TYPE1				2
27	WS0510002KN	SPRING WASHER M5				2
28	40016885	TENSION_ADJUSTING_PLATE_L				1
29	40179017	SPACER_WASHER_2				10
30	40179018	IDLER_PULLEY_F7				11
31	40016893	FLANGE_3				8
32	40179019	ROCKER_ARM_SHAFT_S				2
33	40179020	IDLER_PULLEY_P20_F7				6
34	WP0621016SD	WASHER 6.2X13X1				5
35	RE0400000KP	E-RING 4				5
36	40179021	ROCKER_ARM				1
37	40179022	CONNECTING_LINK_SHAFT_L				1
38	SM1040852TP	DISH SCREW				4
39	40016878	CONECTING_LINK_BUSH_L				6
40	E2613700000	WASHER				2
41	40179023	CONNECTING_LINK				2
42	40179024	CONNECTING_LINK_SHAFT_S				1
43	40016879	CONECTING_LINK_SPACER				2
44	40016877	CONECTING_LINK_BUSH_S				2
45	SM6020350SP	SCREW M2 L=2.5				1
46	40179025	CONNECTING_LINK_BASE				1
47	SM8040412TP	SCREW M4X4				1

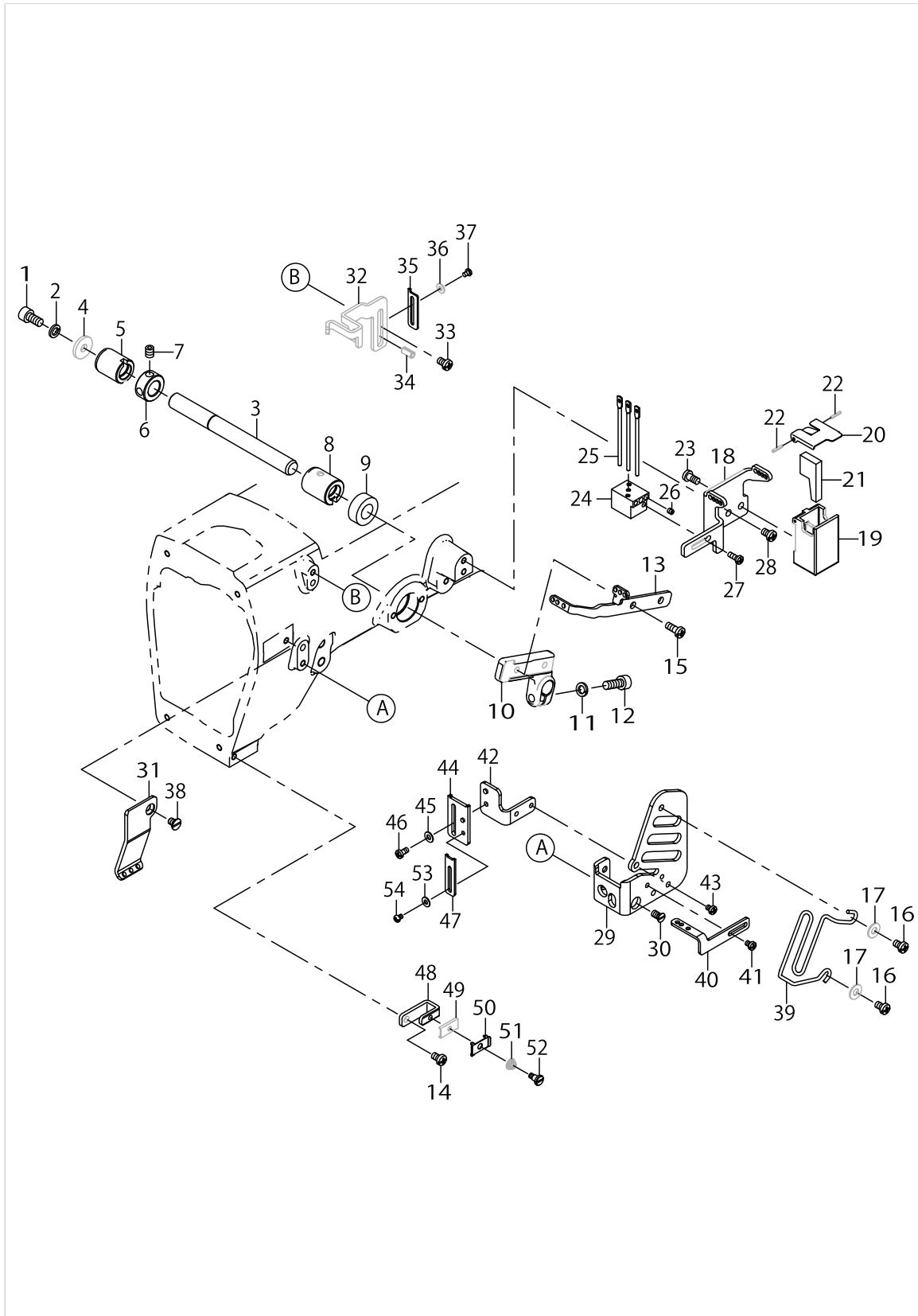
UPPER FEED COMPONENTS



UPPER FEED COMPONENTS

No.	Parts No.	Parts name	Remarks	Level	Cons	Qty
48	40179026	IDLER_SHAFT				2
49	WP0430801SC	WASHER M4				2
50	NM6040002SN	NUT M4X0.7 TYPE2				2
51	SL4040891SC	SCREW M4X8				1
52	HX00150000H	CABLE CLAMP				1
53	NM6050001SC	NUT M5X0.8 TYPE1				1
54	WS0510002KN	SPRING WASHER M5				1
55	40179028	TENSIONER_ARM				1
56	40179029	TENSION_PULLEY_SHAFT_U				1
57	40179030	SPRING_E				1
58	40179031	SHOULDER_SCREW				1
59	40181218	JOG_DIAL_ASSY				1
60	40180936	JOG DIAL RELAY CABLE ASM		*		1
61	40180937	JOG DIAL CABLE ASM		*		1
62	40181242	KNOB		*		1
63	40179086	ENCODER_FITTING_PLATE		*		1

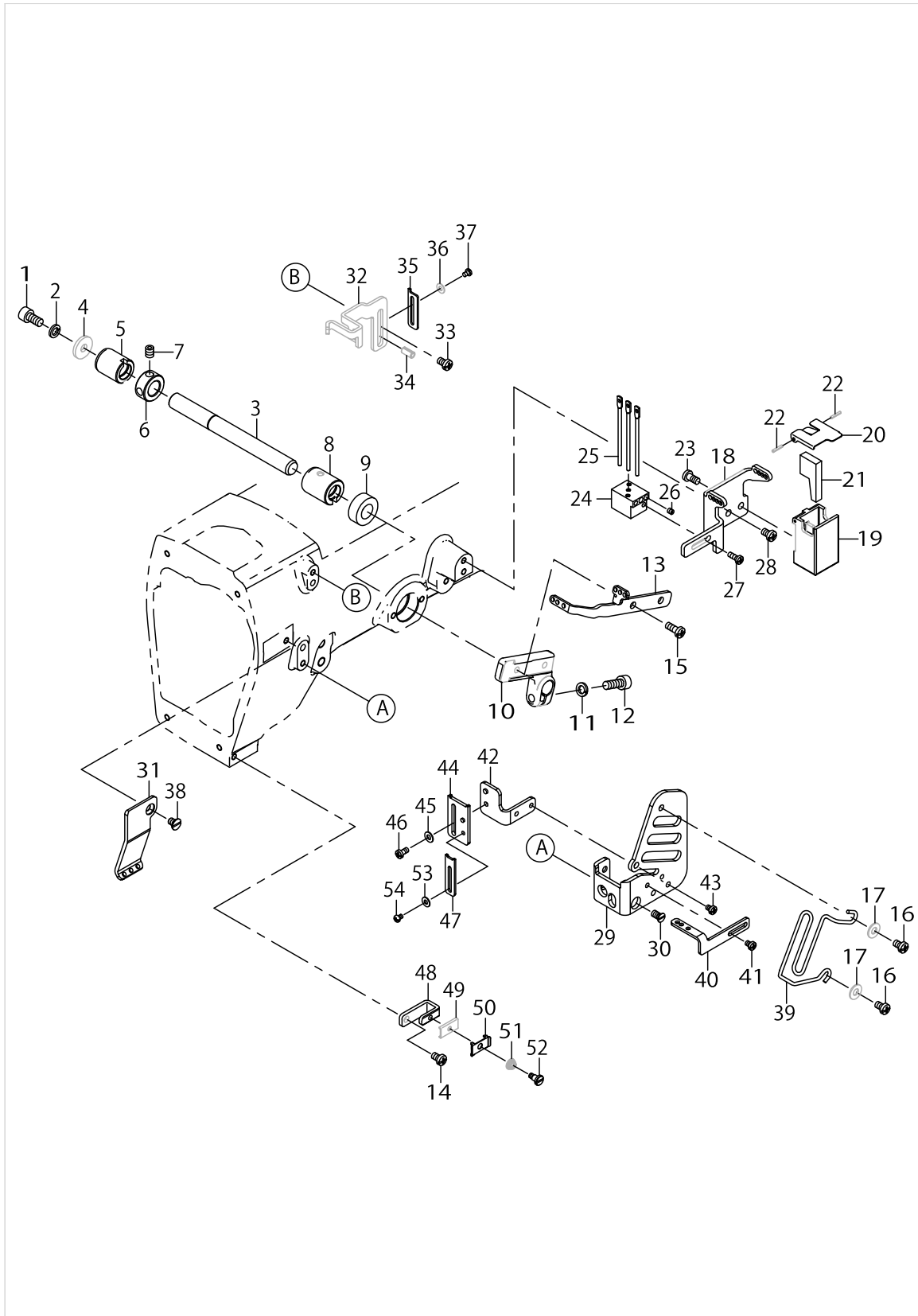
THREAD TAKE-UP LEVER COMPONENTS



THREAD TAKE-UP LEVER COMPONENTS

No.	Parts No.	Parts name	Remarks	Level	Cons	Qty
1	SM6051002TP	SCREW M5X0.8 L=10				1
2	WS0510002KP	SPRING WASHER 5.1X9.2X1.3				1
3	70001537	SHAFT				1
4	WP0522016SH	WASHER				1
5	13324504	BUSHING REAR				1
6	CS1000881TP	THRUST COLLAR				1
7	SM8050612TP	SCREW M5X6				2
8	13324603	BUSHING FRONT				1
9	23612609	FEED CHANGING SHAFT OIL SEAL				1
10	13324702	HOLDER TAKE UP EYELET				1
11	WS0510002KN	SPRING WASHER M5				1
12	SM6051402TP	SCREW M5X0.8 L=14				1
13	40154164	NDL_THREAD_TAKE_UP				1
14	SM4040655SP	SCREW M4 L=6				1
15	SM4041055SP	SCREW				2
16	SM40405C5SP	SCREW				2
17	WP0450801SC	WASHER 4.5X10X0.8				2
18	70001540	THREAD_TENSION_GUIDE				1
19	13348008	TANK				1
20	70001546	SILICONE_OIL_TANK_COVER				1
21	B9214850000	HEAT REMOVING FELT				1
22	PS0150082KH	SPRING PIN				2
23	ST4040851SN	TAPPING SCREW M4X8				2
24	40154163	HOLDER				1
25	40074316	NEEDLE_THREAD_EYELET				3
26	SM8030312TP	SCREW M3 L=3				3
27	SM4030855SN	SCREW M3 L=8.0				1
28	SM4040655SP	SCREW M4 L=6				2
29	40154167	TAKE_UP_COVER				1
30	SM1040750TP	SCREW M4 L=7				1
31	40154165	THREAD_GUIDE				1
32	70001543	NDL_THD_STRIKE_OFF				1
33	SM4040655SP	SCREW M4 L=6				1
34	PS0400082KP	SPRING PIN				1
35	13326905	NDL THD STRIKE OFF R				1
36	WP0280501SC	WASHER M2.6				1
37	SM48504C5SP	SCREW				1
38	SM1040650TP	SCREW				1
39	40154166	FINGER_GUARD				1
40	13327101	THREAD_GUIDE				1
41	SM4030655SP	SCREW				2
42	40154168	THREAD_GUIDE_BASE				1
43	SM4030655SP	SCREW				2
44	13325600	THD STRIKE OFF PLATE				1
45	WP0320501SC	WASHER M3				1
46	SM4030655SP	SCREW				1
47	13327002	THD STRIKE OFF PLATE R				1

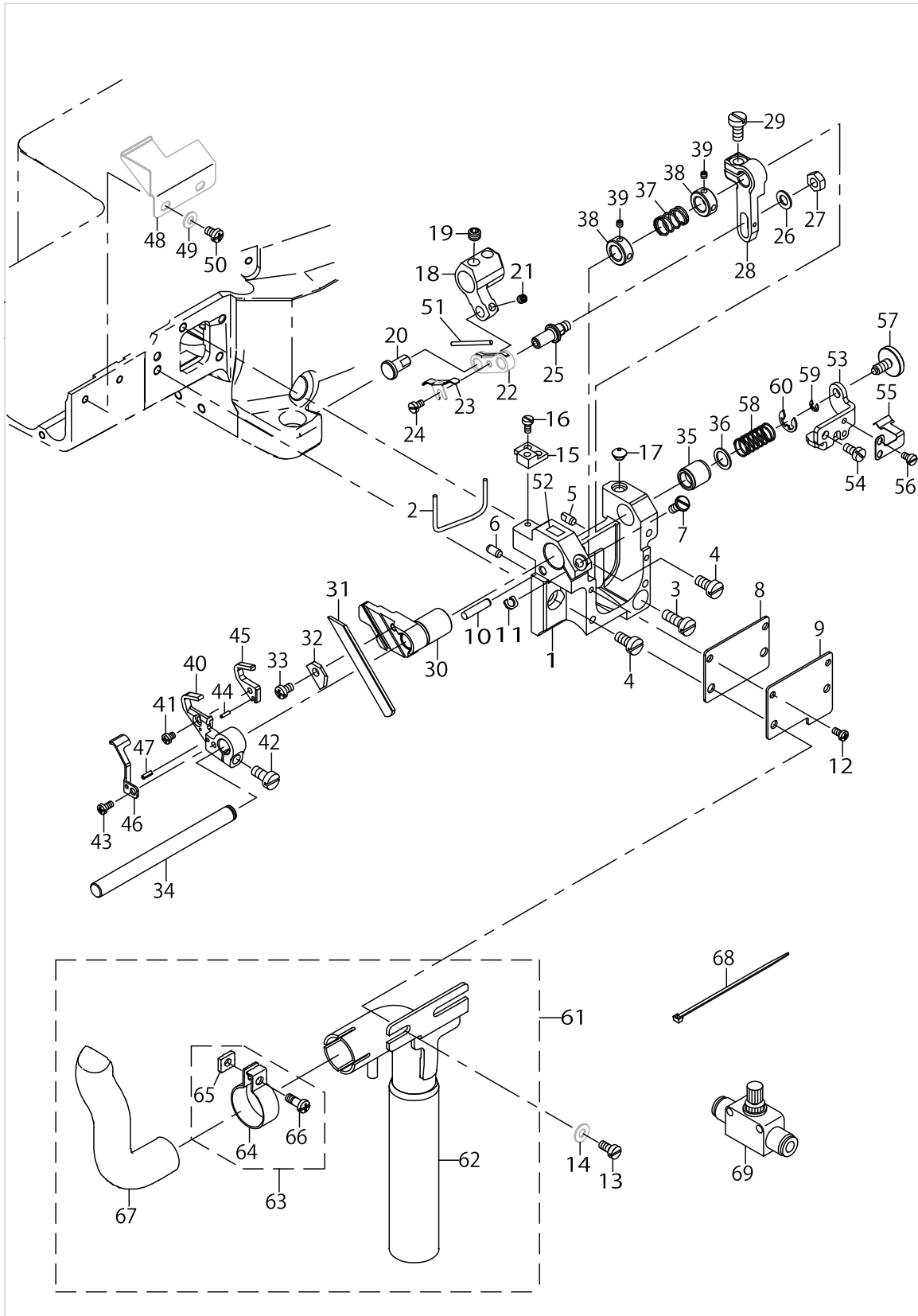
THREAD TAKE-UP LEVER COMPONENTS



THREAD TAKE-UP LEVER COMPONENTS

No.	Parts No.	Parts name	Remarks	Level	Cons	Qty
48	13325808	NIPPER PLATE SUPPORT				1
49	13325907	NIPPER PLATE				1
50	13326004	NIPPER GUIDE PLATE				1
51	13326103	SPRING				1
52	13326202	SHOULDER SCREW				1
53	WP0280501SC	WASHER M2.6				1
54	SM4850455SP	SCREW				1

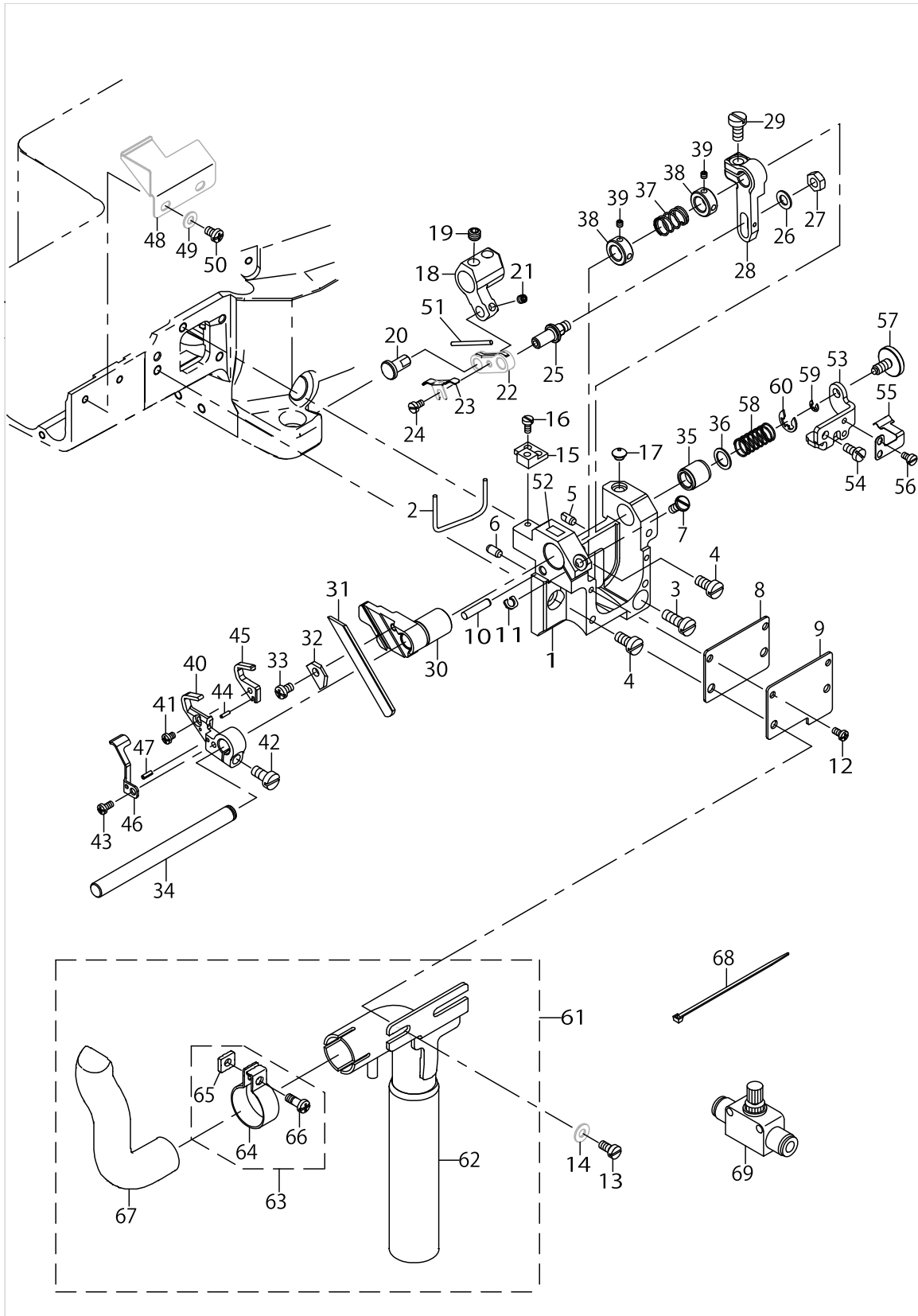
FABRIC TRIMMER LEFT COMPONENTS



FABRIC TRIMMER LEFT COMPONENTS

No.	Parts No.	Parts name	Remarks	Level	Cons	Qty
1	40155641	SUPPORT_BLOCK				1
2	RO437200200	RUBBER RING				1
3	SM6051400SP	SCREW				1
4	SM6051000SP	SCREW				2
5	13301908	DOWEL PIN				1
6	13302500	DOWEL PIN 2				1
7	SM6041050TP	SCREW				1
8	40155643	S_B_COVER_GASKET				1
9	40155644	SUPPORT_BLOCK_COVER				1
10	PH0400185S0	PARALLEL PIN TYPE A 4X18				1
11	13423801	WASHER				1
12	SM4030655SP	SCREW				2
13	SM6040800SP	SCREW				2
14	WP0450801SC	WASHER 4.5X10X0.8				2
15	40155645	TP_ADJUST_PLATE				1
16	SM6030600SP	SCREW M3X0.5 L=6				2
17	13302302	RUBBER BUMPER				1
18	13461306	DRIVE_LEVER				1
19	SM8060552TP	SCREW M6 L=5				2
20	13461504	LINK_PIN				1
21	SM8040412TP	SET SCREW M4 L=4				1
22	70001856	LINK				1
23	70001857	OIL_WICK_PLATE				1
24	SM6030500SN	SCREW M3 L=5				1
25	40155646	ADJUST_PIN				1
26	WP0550800SP	WASHER 5.5X10X0.8				1
27	NM6050001SP	NUT M5				1
28	40155647	ADJUST_LEVER				1
29	SM6051000SP	SCREW				1
30	40155648	LOWER_KNIFE HOLDER_ASSY				1
31	40155651	LOWER_KNIFE			☆	1
32	40042319	LOWER_KNIFE_PRESSER_PLATE				1
33	SM4040655SP	SCREW M4 L=6				1
34	40155652	SHAFT				1
35	40159404	BUSHING_RIGHT				1
36	WP0820516SP	WASHER 11.6X8.2X0.6				1
37	40040306	UPPER_KNIFE_SPRING				1
38	40155655	THRUST COLLAR D=8 W=8				2
39	SM8030312TP	SCREW M3 L=3				4
40	70004844	UPPER_KNIFE HOLDER				1
41	SM4030455SP	SCREW				1
42	SM6051000SP	SCREW				1
43	SM4030655SP	SCREW				1
44	PH0150065C0	PARALLEL PIN TYPE A 1.5X6				1
45	70001861	UPPER_KNIFE			☆	1
46	70004845	FABRIC_TRIMMER_GUIDE				1
47	PS0200062KH	SPRING PIN 2X6				1

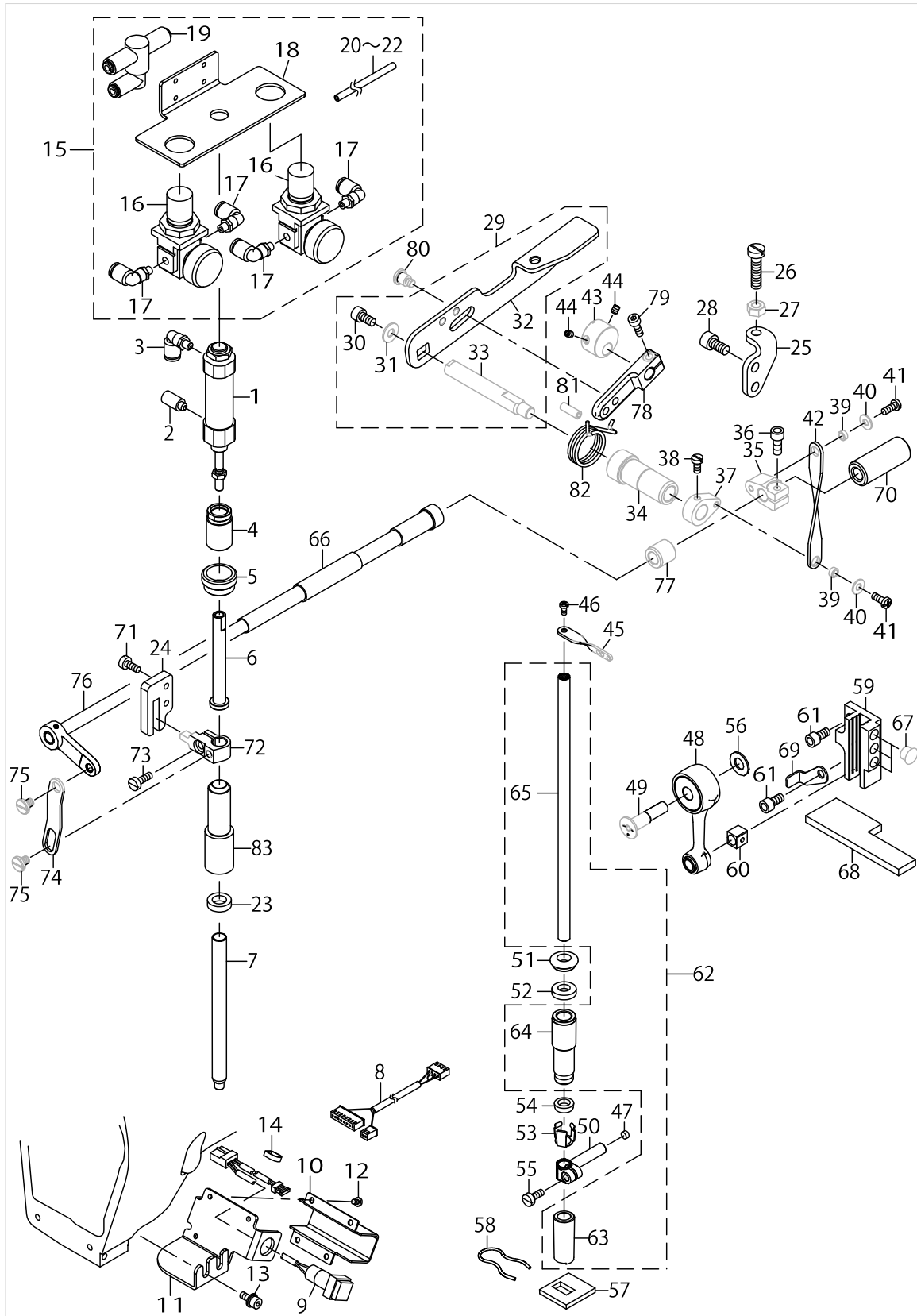
FABRIC TRIMMER LEFT COMPONENTS



FABRIC TRIMMER LEFT COMPONENTS

No.	Parts No.	Parts name	Remarks	Level	Cons	Qty
48	70001869	FEED_COVER				1
49	WP0430801SC	WASHER M4				2
50	SM4040655SP	SCREW M4 L=6				2
51	CQ303000000	OIL WICK				0.2
52	70004494	RUBBER_PLATE				1
53	40155656	ADJ_GUIDE_PLATE				1
54	SM6040800SP	SCREW				1
55	40155657	ADJUST_SPRING				1
56	SM6030500SN	SCREW M3 L=5				2
57	40155658	ADJUST_SCREW				1
58	40155659	SPRING				1
59	RE0250000K0	E-RING 2.5				1
60	RE0600000K0	E-RING 6				1
61	40155621	SUCTION_PIPE_SET_TOP	ACCESSORIES PARTS			1
62	40155622	SUCTION_PIPE_ASSY_TOP		*		1
63	40043839	SUCTION_PIPE_JOINT_ASSY		*		1
64	40043800	SUCTION_PIPE_JOINT		*		1
65	40043815	SUCTION_PIPE_NUT		*		1
66	SM4041055SP	SCREW		*		1
67	40042374	SUCTION_PIPE_1		*		1
68	EA9500B0100	CABLE BAND	ACCESSORIES PARTS			1
69	PC012601000	SPEED CONTROLLER				1

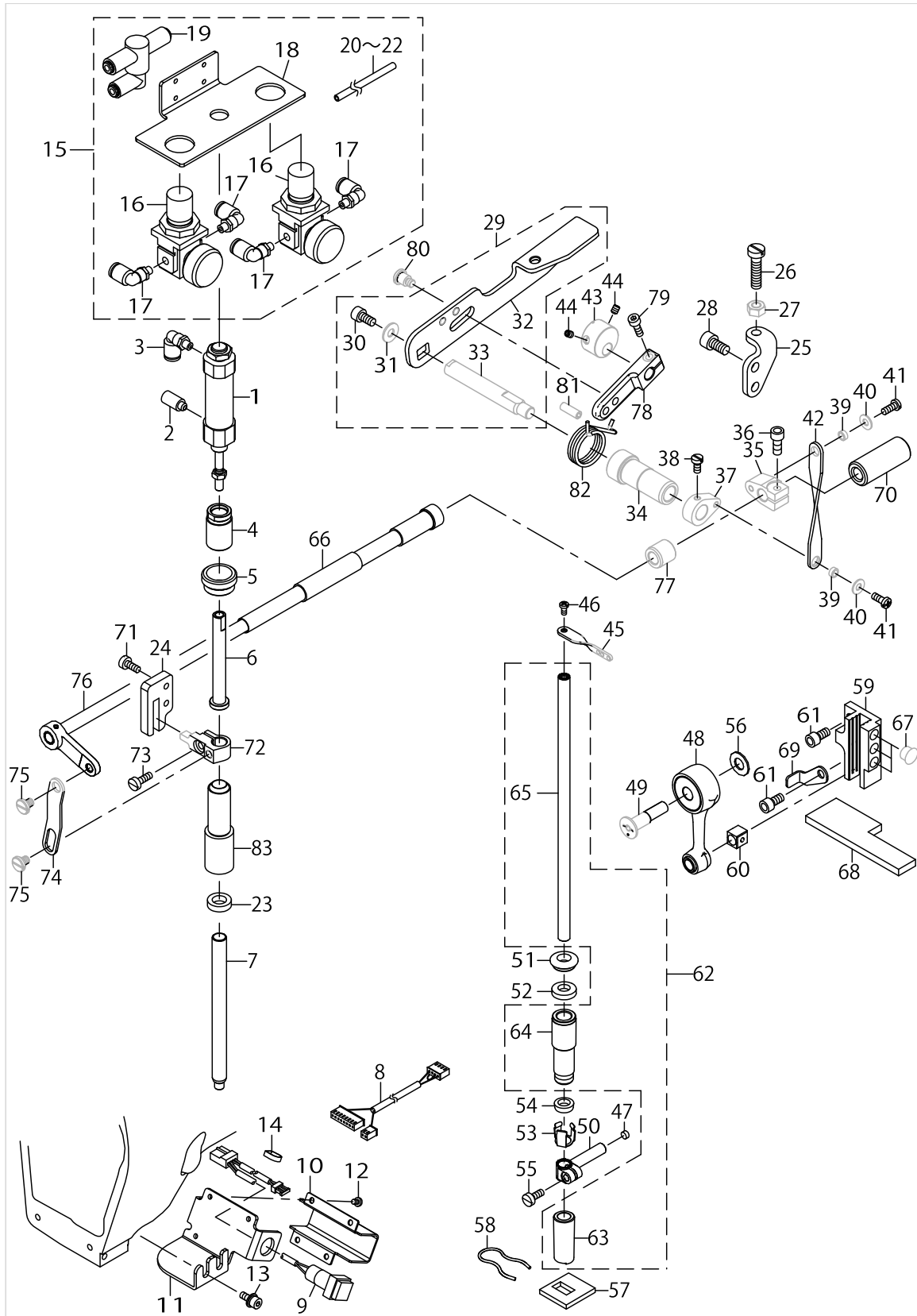
NEEDLE BAR & PRESSER COMPONENTS



NEEDLE BAR & PRESSER COMPONENTS

No.	Parts No.	Parts name	Remarks	Level	Cons	Qty
1	40179082	AIR CYLINDER				1
2	PX050501000	SILENCER				1
3	PJ304040504	UNION				1
4	40179083	ADJ_SCREW_PRESSER_BAR				1
5	40179084	LOCKING_NUT				1
6	40179085	PRESSER_BAR				1
7	40070559	PRESSER_BAR				1
8	40180938	PRESSER CHANGE SOLENOID VALVE CABLE ASM				1
9	40180939	PUSH SWITCH CABLE ASM				1
10	40179089	SWITCH_COVER				1
11	40179088	SWITCH_BASE_PLATE				1
12	SM4030401SC	SCREW M3X0.5 L=4				4
13	SL6041092TN	SCREW M4 L=10				2
14	HX00233000D	NYLON BAND				1
15	40181219	AIR REGULATOR_ASSY	ACCESSORY PARTS			1
16	PF0205010C0	AIR REGULATOR		*		2
17	PJ304040504	UNION		*		4
18	40179081	VALVE_FITTING_PLATE		*		1
19	PV200202000	SHUTTLE VALVE		*		1
20	BT0400251EB	URETHANE TUBE BLACK 4X2.5		*		0.12
21	BT0400251EB	URETHANE TUBE BLACK 4X2.5		*		0.12
22	BT0400251EB	URETHANE TUBE BLACK 4X2.5		*		0.12
23	13315908	OIL SEAL				1
24	13313804	GUIDE PLATE				1
25	70001495	LIFTER_LEVER_STOPPER				1
26	SM60625C0TP	SCREW M6 L=25				1
27	NM6060001CP	NUT M6				1
28	SM6061202TP	SCREW M6 L=12				2
29	70001487	LIFTER_LEVER_ASSY				1
30	SM6051002TP	SCREW M5X0.8 L=10		*		1
31	WP0551016SH	WASHER 5.5X13X1		*		1
32	70001488	LIFTER_LEVER		*		1
33	70001489	LIFTER_LEVER_SHAFT		*		1
34	70001490	BUSHING_LIFTER_LEVER				1
35	70001478	LIFTER_SHAFT_LEVER				1
36	SM6051202TP	SCREW M5X0.8 L=12				1
37	70001477	LIFTER_LEVER_COLLAR				1
38	SM6040800SP	SCREW				1
39	70001491	SPACER				2
40	WP0450826SC	WASHER 4.5X10X0.8				2
41	SM4041055SP	SCREW				2
42	70001492	LIFTER_LEVER_LINK				1
43	70001493	MINUTES_LIFTING_COLLAR				1
44	SM8040512TP	SCREW				2
45	13326806	NEEDLE BAR EYELET				1
46	SM4030855SN	SCREW M3 L=8.0				1
47	40078293	PLUG				1

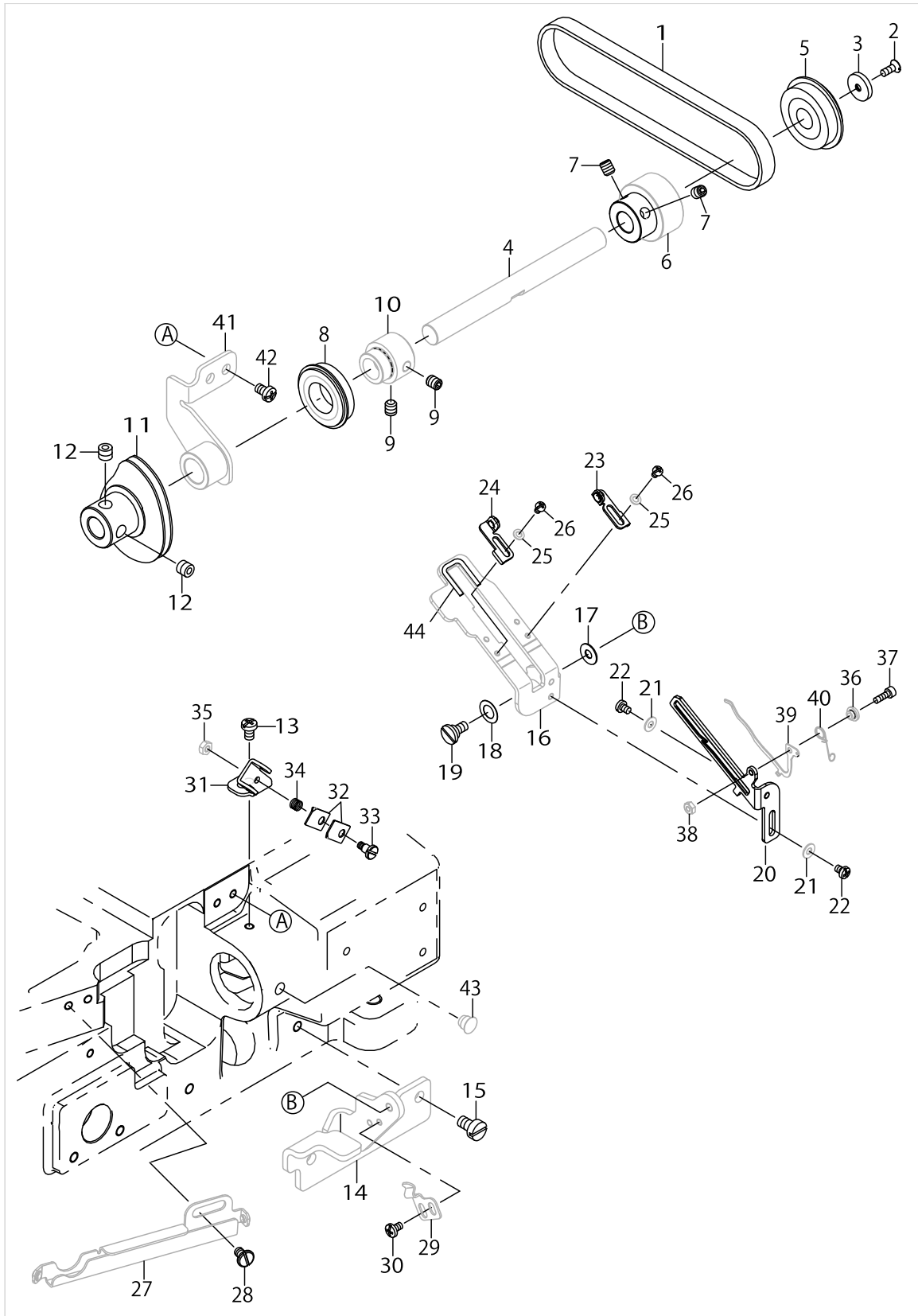
NEEDLE BAR & PRESSER COMPONENTS



NEEDLE BAR & PRESSER COMPONENTS

No.	Parts No.	Parts name	Remarks	Level	Cons	Qty
48	70001465	ASSY_NEEDLE_CRANK_ROD				1
49	70001462	ECCENTRIC_PIN_DRY				1
50	40078292	NEEDLE_BAR_CLAMP				1
51	40078305	BUSHING_NB_U_PRESSER_A				1
52	40078302	BUSHING_NB_U_FELT_A				1
53	40078306	BUSHING_NB_U_PRESSER_B				1
54	40078303	BUSHING_NB_U_FELT_B				1
55	SM6041000SP	SCREW M4 L=10				1
56	40078291	WASHER				1
57	40078301	BUSHING_NB_L_FELT				1
58	40078304	BUSHING_NB_L_PRESSER				1
59	70001463	NEEDLE_BAR_GUIDE				1
60	40078295	SLIDE_BLOCK				1
61	SM6051202TP	SCREW M5X0.8 L=12				3
62	40078317	ASSY_BUSHING_NB_DRY				1
63	40078299	BUSHING_NB_LOWER		*		1
64	40078300	BUSHING_NB_UPPER		*		1
65	40078296	NEEDLE BAR ASSY		*		1
66	40078320	PIPE_ASSY				1
67	TA0750404R0	PLUG D=7.5 L=3.5				4
68	40087083	FELT				1
69	40087101	FELT PRESSER				1
70	70001500	BUSHING_LIFTER_REAR				1
71	SM6041000SP	SCREW M4 L=10				2
72	70001485	PRESSER_BAR_BRACKET				1
73	SM6041200SP	SCREW M4 L=12				1
74	13314109	LINK				1
75	SD070020CTP	SHOULDER SCREW D=7 H=2				2
76	40078307	ASSY_LIFTER_SHAFT_DRY				1
77	70001486	BUSHING_LIFTER_FRONT				1
78	70001494	TENSION_RELEASE_LEVER				1
79	SM6041202TP	SCREW M4X0.7 L=12				1
80	SD0700586TP	SHOULDER SCREW				1
81	PS0500142KP	SPRING PIN				1
82	70001498	SPRING_LIFTER_LEVER				1
83	40156616	BUSHING_PRESSER_BAR				1

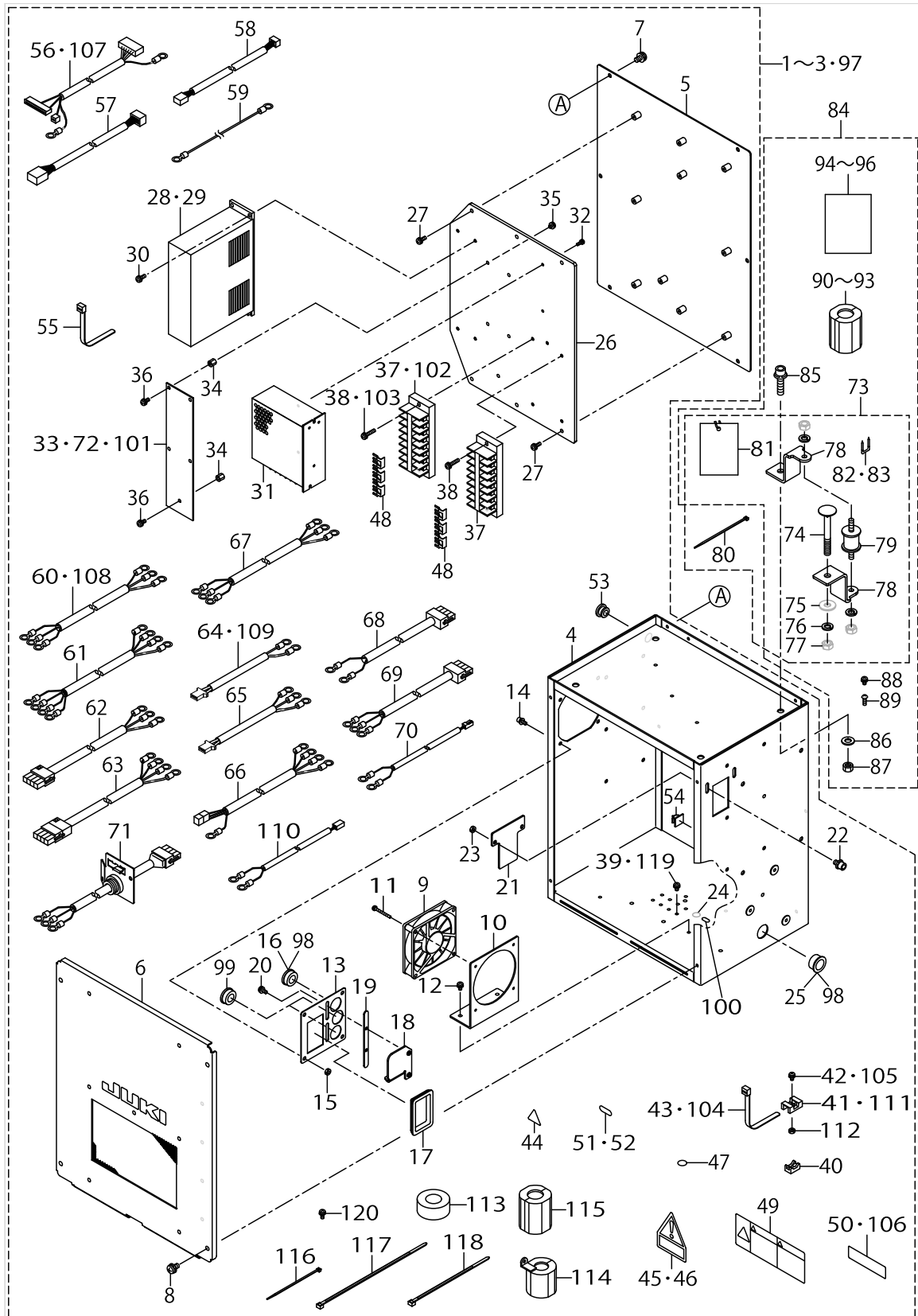
LOWER THREAD COMPONENTS



LOWER THREAD COMPONENTS

No.	Parts No.	Parts name	Remarks	Level	Cons	Qty
1	70001988	BELT_TAKE_UP				1
2	SM1030800SM	SCREW M3X0.5 L=8				1
3	13332606	WASHER TAKE UP				1
4	70001729	SHAFT_TAKE_UP				1
5	70004199	BEARING				1
6	13331301	SPROCKET TAKE UP				1
7	SM8050612TP	SCREW M5X6				2
8	70004194	BEARING				1
9	SM8050612TP	SCREW M5X6				2
10	70001754	COUPLING				1
11	40154169	ASSY_TAKE_UP				1
12	SM8060552TP	SCREW M6 L=5				2
13	SM4040655SP	SCREW M4 L=6				1
14	70001734	TAKE_UP_PLATE_BASE				1
15	SM6050800SP	SCREW M5 L=8				2
16	70001735	TAKE_UP_PLATE				1
17	WP0410516SD	PLAIN WASHER				1
18	WZ0641510KP	WAVED WASHER 6.4X11X0.3				1
19	SD064024CSP	SHOULDER SCREW D=6.35 H=2.4				1
20	40155640	THREAD_GUIDE				1
21	WP0320501SC	WASHER M3				3
22	SM4030455SP	SCREW				3
23	40100773	EYELET L ASSY				1
24	40100771	EYELET R ASSY				1
25	WP0280500SC	WASHER				2
26	SM48504C5SP	SCREW				2
27	70001738	ASSY_THREAD_GUIDE				1
28	SM6040650TP	SCREW				2
29	70001745	SPRING				1
30	SM5030555SN	SCREW M3 L=5				2
31	70004375	NIPPER_PLATE				1
32	40100769	NIPPER SPRING PLATE				2
33	13326202	SHOULDER SCREW				1
34	13402805	SPRING				1
35	NM6030001SC	NUT M3X0.5 TYPE1				1
36	70001584	SPRING COLLAR				1
37	SM6850802TN	SCREW M2.5 L=8				1
38	NM6850001SC	NUT M2.5X0.45 TYPE1				1
39	70004733	THREAD_GUIDE_PLATE				1
40	70001753	THREAD_GUIDE_PLATE_SPRING				1
41	70001758	SHAFT_TAKE_UP_COVER_ASSY				1
42	SM4040655SP	SCREW M4 L=6				2
43	TA0620504R0	CAP				1
44	40087068	CAM THREAD CATCH				1

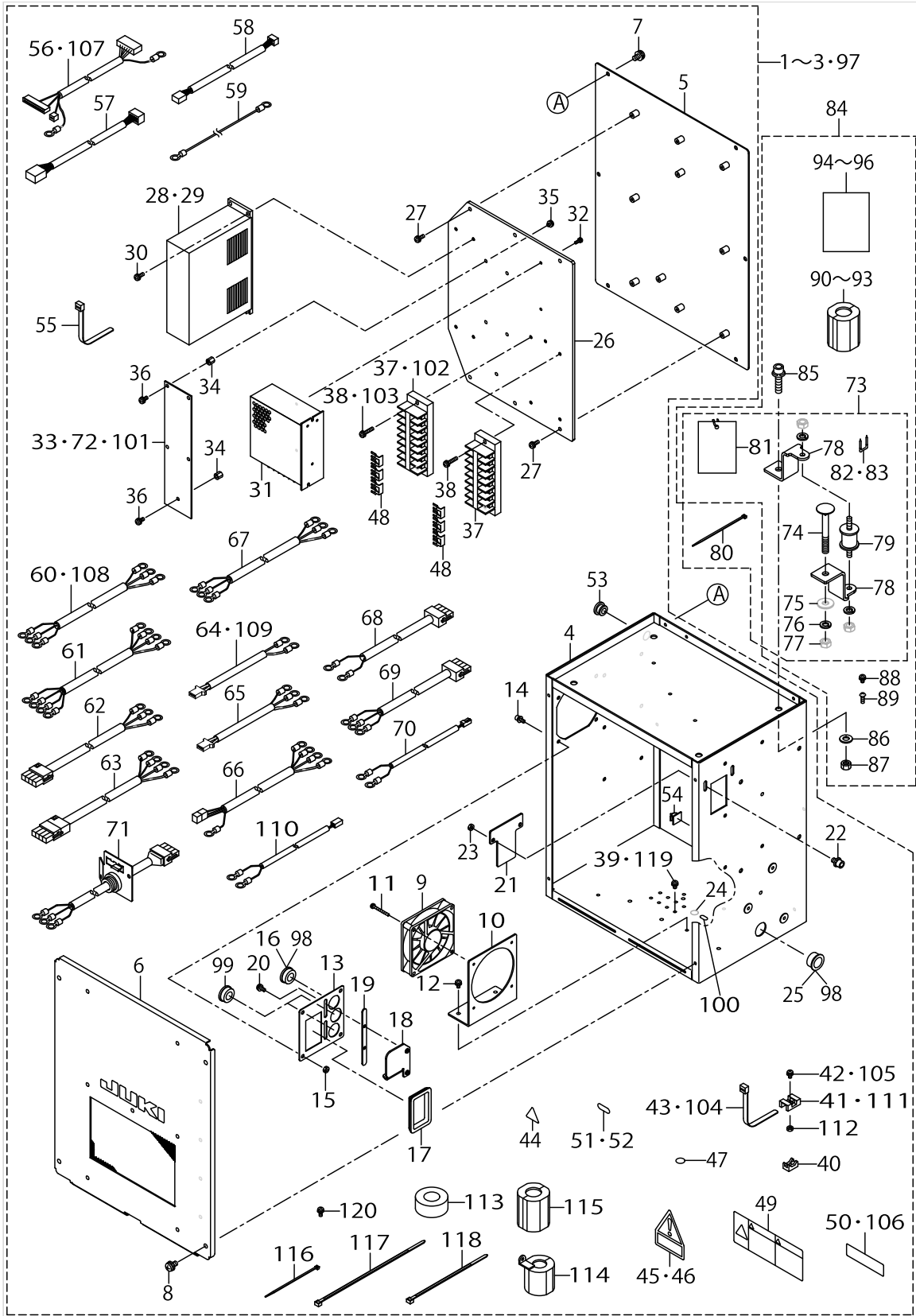
CONTROL BOX COMPONENTS



CONTROL BOX COMPONENTS

No.	Parts No.	Parts name	Remarks	Level	Cons	Qty
1	40181284	MC-450 BOX A	FOR 1-PHASE 220~240V			1
2	40181285	MC-450 BOX B	FOR 3-PHASE 200~240V			1
3	40181286	MC-450 BOX C	FOR 1-PHASE 100~120V			1
4	40055355	CONTROL BOX		*		1
5	40094018	CONTROL BOX FRONT COVER		*		1
6	40094019	CONTROL BOX REAR COVER		*		1
7	SL4040891SC	SCREW M4X8		*		6
8	SL4040891SC	SCREW M4X8		*		4
9	40005401	FAN MOTOR ASSY		*		1
10	40005404	FAN MOTOR BRACKET		*		1
11	SL4033091SC	SCREW M3 L=30		*		4
12	SL4040891SC	SCREW M4X8		*		2
13	40181161	BOX_ADDITION_PLATE		*		1
14	SL6041092TN	SCREW M4 L=10		*		4
15	NM6040001SD	NUT M4X0.7 TYPE1		*		4
16	HX00188000D	GROMMET	FOR 1-PHASE 220~240V 3-PHASE 200~240V 1-PHASE 100~120V	*		3
17	HX004070000	GROMMET		*		1
18	40181162	CORD_FITTING_PLATE		*		1
19	40181163	CORD_FITTING_PLATE_SPACER		*		1
20	SL4041091SC	SCREW M4 L=10		*		2
21	40181164	BOX_CLOSE_PLATE		*		1
22	SL6041092TN	SCREW M4 L=10		*		2
23	NM6040001SD	NUT M4X0.7 TYPE1		*		2
24	E9567319000	EARTH MARK		*		1
25	HX00326000K	GROMMET	FOR 1-PHASE 220~240V 3-PHASE 200~240V 1-PHASE 100~120V	*		1
26	40181165	MOTOR_DRIVER_HOLDING_PLATE		*		1
27	SL4041291SC	SCREW M4 L=12		*		6
28	HM002300010	MOTOR DRIVER	FOR 1-PHASE 220~240V, 3-PHASE E 200~240V, 1-PHASE 220~240VCE	*		1
29	40180949	MOTOR DRIVER	FOR 1-PHASE 100~120V	*		1
30	SL4041281SC	SCREW M4 L=12		*		4
31	HX007210000	POWER SUPPLY		*		1
32	SL4031091SC	SCREW M3 L=10		*		2
33	40103079	FLT-CE PCB ASSY	FOR 1-PHASE 220~240V	*		1
34	40088311	STUD		*		5
35	SL4040681SC	SCREW M4 L=6		*		5
36	SL4041081SC	SCREW M4 L=10		*		5
37	HK057950080	BLOCK TERMINAL	FOR 1-PHASE 220~240V 3-PHASE 200~240V 1-PHASE 100~120V	*		2
38	SL4042081SC	SCREW M4 L=20	FOR 1-PHASE 220~240V 3-PHASE 200~240V 1-PHASE 100~120V	*		4
39	SL4040891SC	SCREW M4X8	FOR 1-PHASE 220~240V 3-PHASE 200~240V 1-PHASE 100~120V	*		6
40	HX002940000	FIXED BASE		*		1
41	KX000000210	SADDLE TYPE TIE MOUNT		*		1
42	SL4040881SC	SCREW M4 L=8	FOR 1-PHASE 220~240V 3-PHASE 200~240V 1-PHASE 100~120V	*		2
43	EA9500B0100	CABLE BAND	FOR 1-PHASE 220~240V 3-PHASE 200~240V 1-PHASE 100~120V	*		4
44	CM300100003	VOLTAGE WARNING LABEL (25)	FOR 1-PHASE 220~240V, 1-PHASE 220~240VCE	*		1

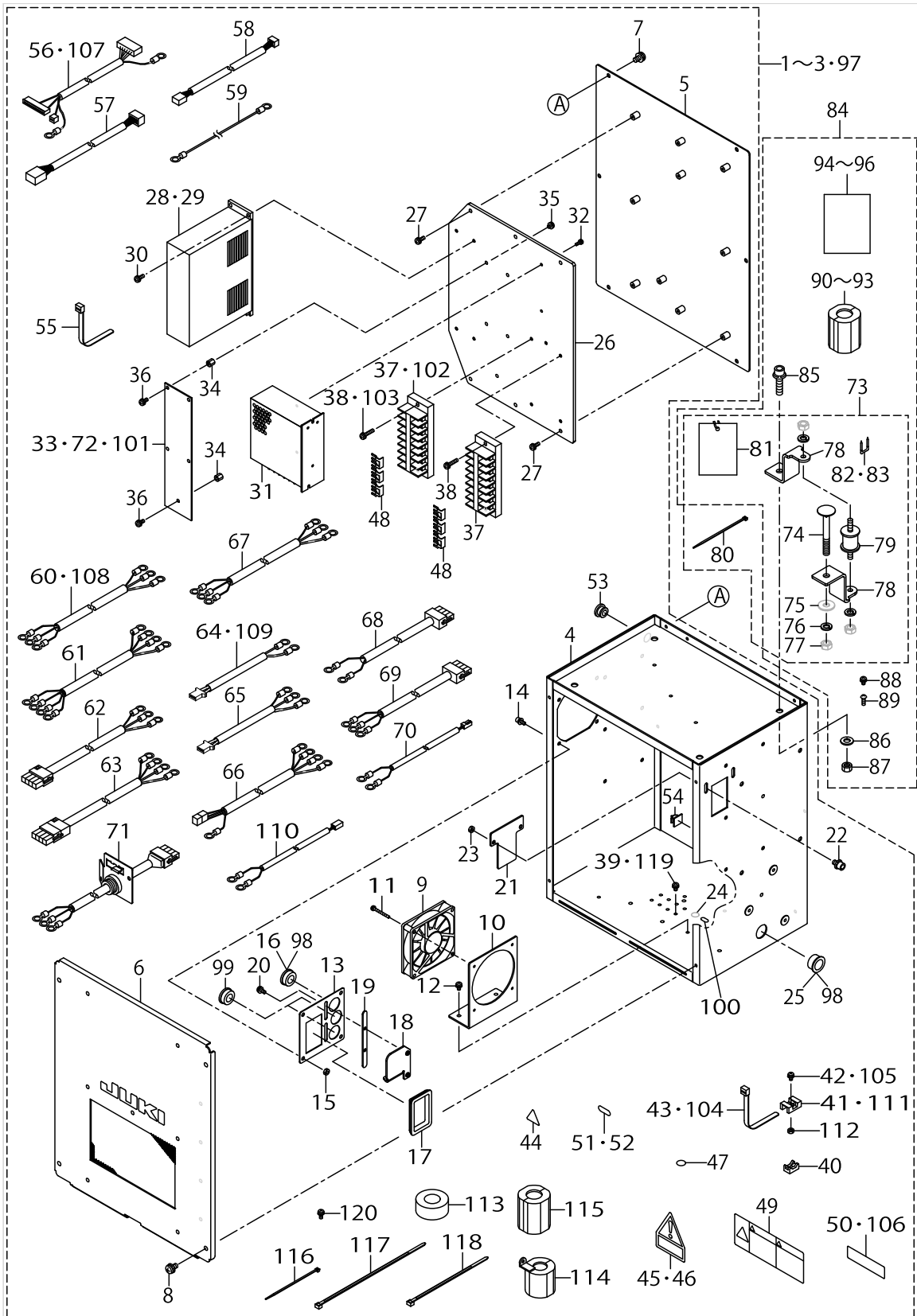
CONTROL BOX COMPONENTS



CONTROL BOX COMPONENTS

No.	Parts No.	Parts name	Remarks	Level	Cons	Qty
45	CM300400601	VOLTAGE CAUTION LABEL L=63	FOR 1-PHASE 220~240V, 1-PHASE 220~240VCE	*		1
46	CM300400701	VOLTAGE CAUTION LABEL	FOR 3-PHASE 200~240V	*		1
47	40003458	MASK SEAL		*		22
48	HK057990060	BLOCK TERMINAL		*		2
49	CM300100401	VOLTAGE DANGER LABEL 3 (LARGE)	FOR 3-PHASE 200~240V, 1-PHASE 100~120V	*		1
50	40051640	ELECTRICAL_RATING_LABEL_UNIVERSAL		*		1
51	BME03200000	VOLTAGE INDICATION SEAL 200V	FOR 3-PHASE 200~240V	*		1
52	BME01100000	VOLTAGE INDICATION SEAL 100V	FOR 1-PHASE 100~120V	*		1
53	TA1250705R0	RUBBER PLUG		*		1
54	E9607603000	STICKER		*		1
55	KX000000230	RELEASIBLE CABLE TIE		*		1
56	40180931	MOTOR CONTROL CABLE ASM	FOR 1-PHASE 220~240V 3-PHASE 200~240V 1-PHASE 100~120V	*		1
57	40180932	ENCODER CABLE ASM		*		1
58	40180935	MOTOR CABLE ASM		*		1
59	40180942	DRIVER FG CABLE ASM		*		1
60	40180923	TB POWER CABLE ASM	FOR 1-PHASE 220~240V, 1-PHASE 100~120V	*		1
61	40180943	TB POWER-T CABLE ASM	FOR 3-PHASE 200~240V	*		1
62	40180924	SEWINGMACHINEPOWERCABLEASM	FOR 1-PHASE 220~240V	*		1
63	40180944	SEWING MACHINE POWER-T CABLE ASM	FOR 3-PHASE 200~240V	*		1
64	40180927	FLT OUTPUT CABLE ASM	FOR 1-PHASE 220~240V	*		1
65	40180946	FLT-T OUTPUT CABLE ASM	FOR 3-PHASE 200~240V, 1-PHASE 100~120V	*		1
66	40180929	MOTOR DRIVER POWER CABLE ASM	FOR 1-PHASE 220~240V 3-PHASE 200~240V 1-PHASE 100~120V	*		1
67	40180928	DC24V POWER CABLE ASM		*		1
68	40180925	FLT INPUT CABLE ASM	FOR 1-PHASE 220~240V	*		1
69	40180945	FLT-T INPUT CABLE ASM	FOR 3-PHASE 200~240V, 1-PHASE 100~120V	*		1
70	40180940	FAN MOTOR CABLE ASM		*		1
71	40180948	POWER SUPPLY PLATE ASSY LA	FOR 1-PHASE 100~120V	*		1
72	40087139	FLT-T PCB ASSY	FOR 3-PHASE 200~240V, 1-PHASE 100~120V	*		1
73	40181287	OPTION A ASSY	FOR 1-PHASE 220~240VCE (ACCESSORIES PARTS TYPE CE)	*		1
74	MTSHJ100003	MOTOR FITTING BOLT L=70	FOR 1-PHASE 220~240VCE (ACCESSORIES PARTS TYPE CE)	*		4
75	WP0852086SC	WASHER M8	FOR 1-PHASE 220~240VCE (ACCESSORIES PARTS TYPE CE)	*		4
76	WS0820002KR	SPRING WASHER	FOR 1-PHASE 220~240VCE (ACCESSORIES PARTS TYPE CE)	*		4
77	NM6080002SC	NUT M8X1.25 TYPE2	FOR 1-PHASE 220~240VCE (ACCESSORIES PARTS TYPE CE)	*		4
78	40074444	CONTROL_BOX_BRACKET	FOR 1-PHASE 220~240VCE (ACCESSORIES PARTS TYPE CE)	*		8
79	40180954	RUBBER	FOR 1-PHASE 220~240VCE (ACCESSORIES PARTS TYPE CE)	*		4
80	EA9500B0100	CABLE BAND	ACCESSORY PARTS	*		4
81	M300451100A	VOLTAGE INDICATION CARD	FOR 1-PHASE 220~240VCE (ACCESSORIES PARTS TYPE CE)	*		1
82	MAO11532000	CORD STAPLE	FOR 1-PHASE 220~240VCE (ACCESSORIES PARTS TYPE CE)	*		6
83	MAO11532000	CORD STAPLE	FOR 1-PHASE 220~240VCE (ACCESSORIES PARTS TYPE CE)	*		3
84	40181288	ACCESSORIES PARTS OPTION B ASSY	FOR 1-PHASE 220~240VCE (ACCESSORIES PARTS TYPE CE)	*		1
85	SL6083092TN	SCREW M8 L=30	FOR 1-PHASE 220~240VCE (ACCESSORIES PARTS TYPE CE)	*		4

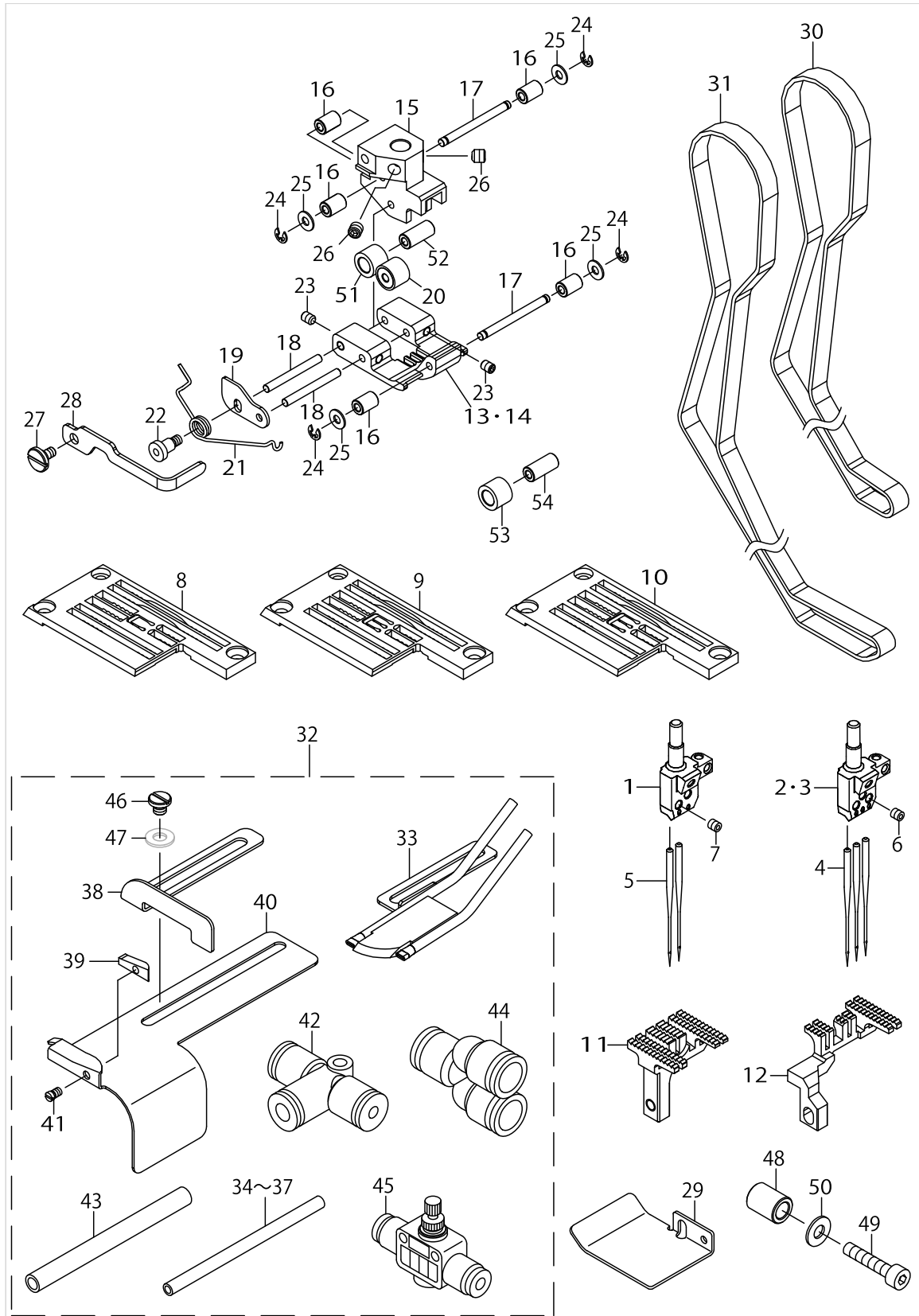
CONTROL BOX COMPONENTS



CONTROL BOX COMPONENTS

No.	Parts No.	Parts name	Remarks	Level	Cons	Qty
86	WP0841601SC	WASHER M8	FOR 1-PHASE 220~240VCE (ACCESSORIES PARTS TYPE CE)	*		4
87	NM6080001SC	NUT M8X1.25 TYPE1	FOR 1-PHASE 220~240VCE (ACCESSORIES PARTS TYPE CE)	*		8
88	SL4040891SC	SCREW M4 L=8	FOR 1-PHASE 220~240VCE (ACCESSORIES PARTS TYPE CE)	*		1
89	SK3381301SE	WOOD SCREW D=3.8 L=13	FOR 1-PHASE 220~240VCE (ACCESSORIES PARTS TYPE CE)	*		4
90	HN004390000	CORES	FOR 1-PHASE 220~240VCE (ACCESSORIES PARTS TYPE CE)	*		1
91	HN004420000	CORES	FOR 1-PHASE 220~240VCE (ACCESSORIES PARTS TYPE CE)	*		1
92	HN004410000	CORES	FOR 1-PHASE 220~240VCE (ACCESSORIES PARTS TYPE CE)	*		1
93	HN004210000	CORES	FOR 1-PHASE 220~240VCE (ACCESSORIES PARTS TYPE CE)	*		1
94	40191522	EC DECLARATION (MC450)	FOR 1-PHASE 220~240VCE (ACCESSORIES PARTS TYPE CE)	*		1
95	CM600100201	WEEE INFORMATION SHEET	FOR 1-PHASE 220~240VCE (ACCESSORIES PARTS TYPE CE)	*		1
96	40192941	CORE SET UP MANUAL	FOR 1-PHASE 220~240VCE (ACCESSORIES PARTS TYPE CE)	*		1
97	40191753	MC-450 BOX D	FOR 1-PHASE 220~240VCE			1
98	HX00188000D	BUSH	FOR 1-PHASE 220~240VCE	*		1
99	HX00326000K	GROMMET	FOR 1-PHASE 220~240VCE	*		2
100	CM200100001	PE MARK LABEL	FOR 1-PHASE 220~240VCE	*		1
101	40180364	FLT-CE PCB A ASSY	FOR 1-PHASE 220~240VCE	*		1
102	HK057950080	BLOCK TERMINAL	FOR 1-PHASE 220~240VCE	*		1
103	SL4042081SC	SCREW	FOR 1-PHASE 220~240VCE	*		2
104	EA9500B0100	CABLE BAND	FOR 1-PHASE 220~240VCE	*		1
105	SM4041001SC	SCREW M4X0.7 L=10	FOR 1-PHASE 220~240VCE	*		4
106	40057278	ELECTRICAL_RATING_LABEL_CE_UNIVERSAL	FOR 1-PHASE 220~240VCE	*		1
107	40190485	MOTOR CONTROL CABLE ASM CE	FOR 1-PHASE 220~240VCE	*		1
108	40190480	TB POWER CABLE ASM CE	FOR 1-PHASE 220~240VCE	*		1
109	40190482	FLT OUTPUT CABLE ASM CE	FOR 1-PHASE 220~240VCE	*		1
110	40190484	MOTOR DRIVER PWR CABLE ASM CE	FOR 1-PHASE 220~240VCE	*		1
111	KX000000210	SADDLE TYPE TIE MOUNT	FOR 1-PHASE 220~240VCE	*		3
112	NM6040001SD	NUT M4	FOR 1-PHASE 220~240VCE	*		1
113	HN004430000	CORES	FOR 1-PHASE 220~240VCE	*		2
114	HN003560000	CORES	FOR 1-PHASE 220~240VCE	*		1
115	HN004210000	CORES	FOR 1-PHASE 220~240VCE	*		1
116	EA9500B0100	CABLE BAND	FOR 1-PHASE 220~240VCE	*		3
117	HX00065000C	CABLE BAND	FOR 1-PHASE 220~240VCE	*		3
118	KX000000230	RELEASIBLE CABLE TIE	FOR 1-PHASE 220~240VCE	*		1
119	SL4040891SC	SCREW M4 L=8	FOR 1-PHASE 220~240VCE	*		7
120	SL4041081SC	SCREW M4 L=10	FOR 1-PHASE 220~240VCE	*		1

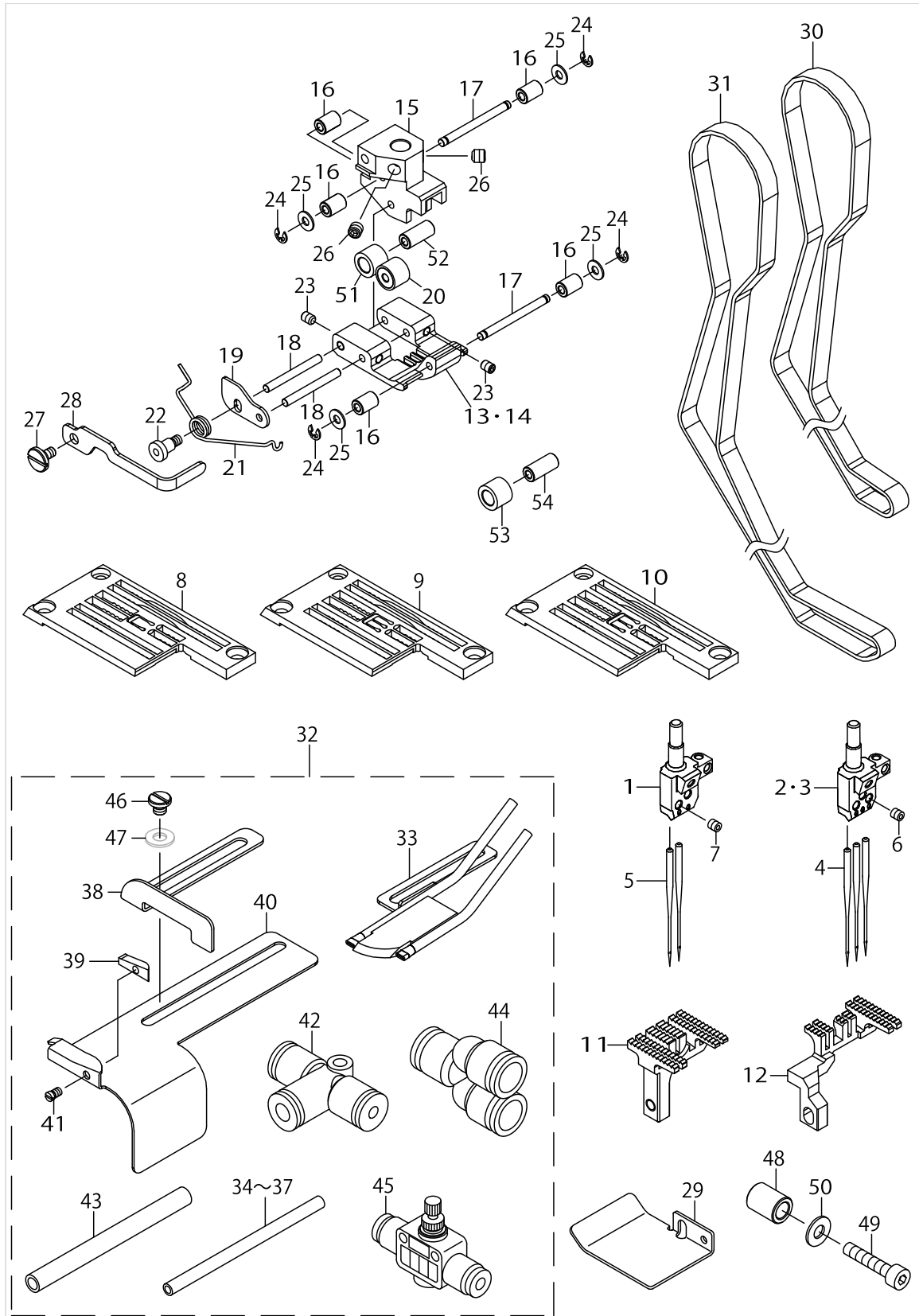
GAUGE COMPONENTS



GAUGE COMPONENTS

No.	Parts No.	Parts name	Remarks	Level	Cons	Qty
1	40179075	NEEDLE_HEAD_40	FOR MF-7900DR-H24-E40			1
2	40179076	NEEDLE_HEAD_56	FOR MF-7900DR-H24-E56			1
3	40179077	NEEDLE_HEAD_64	FOR MF-7900DR-H24-E64			1
4	MUY128S1000	NEEDLE UYX128GAS (S BALL POINT) #10S	FOR MF-7900DR-H24-E40, MF-7900DR-H24-E64			3
5	MUY128S1000	NEEDLE UYX128GAS (S BALL POINT) #10S	FOR MF-7900DR-H24-E56			2
6	SM8030312TP	SCREW M3 L=3	FOR MF-7900DR-H24-E40, MF-7900DR-H24-E64			3
7	SM8030312TP	SCREW M3 L=3	FOR MF-7900DR-H24-E56			2
8	40179067	THROAT_PLATE	FOR MF-7900DR-H24-E40			1
9	40179063	THROAT_PLATE	FOR MF-7900DR-H24-E56			1
10	40179066	THROAT_PLATE	FOR MF-7900DR-H24-E64			1
11	40179064	MAIN_FEED_DOG				1
12	40179065	DIFF_FEED_DOG				1
13	40179071	PRESSER_FOOT_BOTTOM	FOR MF-7900DR-H24-E40			1
14	40179070	PRESSER_FOOT_BOTTOM	FOR MF-7900DR-H24-E56, MF-7900DR-H24-E64			1
15	40195026	PRESSER_FOOT_BASE				1
16	40179055	PULLEY_COLLAR				5
17	40179056	PULLEY_SHAFT				2
18	40179057	PIVOT_PIN				2
19	40179060	STOPPER_PLATE				1
20	40179059	FEED_FOOT_PULLEY				2
21	40179062	PRESSER_SPRING				1
22	40179073	GUIDE_SCREW				1
23	SM8040412TP	SCREW M4X4				2
24	RE0200000K0	E-RING 2				4
25	WP0280501SC	WASHER M2.6				4
26	SM8030412TP	SCREW				2
27	SD0450177TN	SHOULDER SCREW D=4.5 H=1.7				1
28	40179061	FINGER_GUARD				1
29	40179078	FABRIC GUIDE	ACCESSORY PARTS			1
30	40122551	BELT_6.7_606_2GT	ACCESSORY PARTS		☆	1
31	40179011	TIMING BELT 646	ACCESSORY PARTS		☆	2
32	70005385	AIR_BLOW_HEM_GUIDE_DEVICE	OPTIONAL PARTS			1
33	70005042	AIR_BLOW_HEM_GUIDE_ASM		*		1
34	BT0400251EB	URETHANE TUBE BLACK 4X2.5		*		1
35	BT0400251EB	URETHANE TUBE BLACK 4X2.5		*		1
36	BT0400251EB	URETHANE TUBE BLACK 4X2.5		*		1
37	BT0400251EB	URETHANE TUBE BLACK 4X2.5		*		1
38	70005281	HEM_GUIDE_RIGHT		*		1
39	70005282	HEM_GUIDE_BLOCK		*		1
40	70005283	HEM_GUIDE_LEFT		*		1
41	SM6850350TP	FLAT SCREW		*		1
42	PJ305060004	TEE		*		1
43	BT0600401EB	URETHANE TUBE BLACK 6X4		*		1
44	PJ308060002	TEE UNION		*		1
45	PC012401000	SPEED CONTROLLER		*		1
46	SM6040450TP	SCREW M4 L=4		*		1

GAUGE COMPONENTS



GAUGE COMPONENTS

No.	Parts No.	Parts name	Remarks	Level	Cons	Qty
47	WP0430801SC	WASHER M4		*		1
48	70001712	COLLAR	ACCESSORY PARTS			2
49	SM6042002TN	BOLT	ACCESSORY PARTS			2
50	WP0450826SC	WASHER 4.5X10X0.8	ACCESSORY PARTS			2
51	40191094	FEED FOOT PULLEY				1
52	40190729	PULLEY COLLAR				1
53	40191094	FEED FOOT PULLEY	ACCESSORY PARTS			1
54	40190729	PULLEY COLLAR	ACCESSORY PARTS			1

HOW TO MAKE USE OF THIS PARTS LIST

1.Explanation of codes

1)"*"mark.....means this part is changed from the previous parts book.

As to the details of the change, refer to the "List for information of change".

2)"#01".....refer to "Note" explanation at bottom of page.

2.Codes on the "Qty" column

- Each numeral indicates the number of parts required.
- "0.1" and "2.5" indicate the length (in meters) of the respective parts.

3.Parentheses mean that the corresponding part is a subpart that constructs an assembly part.

4.Dotted lines on the Figures indicate assembly parts.

5.As to the parts with marks of "☆"(consumable parts) and "◎"(optional parts)on the respective parts, it is recommended to prepare spares.

1."注記"欄の記号説明

1) "*"印.....前回のパーツブックに比較して今回変更された部品を意味します。

変更内容は、"変更情報リスト"を参照してください。

2) "#01".....ページ下の"注記"の説明を参照してください。

2.数量欄の数字は、個数を表し、0.1、2.5等の数値は、長さ（単位メートル）を表します。

3.数量欄の（ ）は、組部品を構成している子部品であることを意味します。

4.イラストページの-----枠は、組構成であることを意味します。

5.リストページの"☆"（消耗部品）、"◎"（オプション部品）の印がついた部品は、予備を準備しておくことをお奨めします。

For parts that are not described in this parts list, please refer to the parts list below.

このパーツリストに記載されていない部品については、下記のパーツリストをご参照下さい。

- MF-7900D
- MF-7900D-H24
- UT55,56,57
- UT59

NUMERICAL INDEX OF PARTS

PART NO	PAGE	REF NO.	PART NO	PAGE	REF NO.	PART NO	PAGE	REF NO.
13301809	2	33	40040255	4	49	40154164	10	13
13301908	14	5	40040306	14	37	40154165	10	31
13302302	2	35	40042319	14	32	40154166	10	39
13302302	14	17	40042374	16	67	40154167	10	29
13302500	14	6	40043800	16	64	40154168	10	42
13313804	18	24	40043815	16	65	40154169	22	11
13314109	20	74	40043839	16	63	40155621	16	61
13315908	18	23	40051640	26	50·106	40155622	16	62
13324504	10	5	40055355	24	4	40155632	2	3
13324603	10	8	40057278	28	50·106	40155633	2	13
13324702	10	10	40070559	18	7	40155634	2	34
13325600	10	44	40074316	10	25	40155636	2	38
13325808	12	48	40074444	26	78	40155637	2	42
13325907	12	49	40078291	20	56	40155638	2	43
13326004	12	50	40078292	20	50	40155639	2	45
13326103	12	51	40078293	18	47	40155640	22	20
13326202	12	52	40078295	20	60	40155641	14	1
13326202	22	33	40078296	20	65	40155643	14	8
13326806	18	45	40078299	20	63	40155644	14	9
13326905	10	35	40078300	20	64	40155645	14	15
13327002	10	47	40078301	20	57	40155646	14	25
13327101	10	40	40078302	20	52	40155647	14	28
13331301	22	6	40078303	20	54	40155648	14	30
13332606	22	3	40078304	20	58	40155651	14	31
13348008	10	19	40078305	20	51	40155652	14	34
13401906	2	5	40078306	20	53	40155655	14	38
13402003	2	27	40078307	20	76	40155656	16	53
13402706	2	40	40078317	20	62	40155657	16	55
13402805	22	34	40078320	20	66	40155658	16	57
13403407	4	63	40082196	2	18	40155659	16	58
13409800	4	55	40087068	22	44	40156616	20	83
13423801	14	11	40087083	20	68	40159404	14	35
13461306	14	18	40087101	20	69	40178901	2	12
13461504	14	20	40087139	26	33·72·101	40179002	6	1
13463351	4	62	40088311	24	34	40179003	6	2
23612609	10	9	40094018	24	5	40179004	6	3
23630007	4	64	40094019	24	6	40179007	6	5
40003458	26	47	40100769	22	32	40179008	6	4
40005401	24	9	40100771	22	24	40179010	6	9
40005404	24	10	40100773	22	23	40179011	6	12
40016877	6	44	40103079	24	33·72·101	40179011	30	31
40016878	6	39	40119461	2	23	40179012	6	13
40016879	6	43	40122551	6	11	40179013	6	14
40016885	6	28	40122551	30	30	40179014	6	19
40016893	6	31	40154163	10	24	40179015	6	24

NUMERICAL INDEX OF PARTS

PART NO	PAGE	REF NO.	PART NO	PAGE	REF NO.	PART NO	PAGE	REF NO.
40179016	6	25	40180924	26	62	70001414	4	53
40179017	6	29	40180925	26	68	70001457	2	26
40179018	6	30	40180927	26	64·109	70001462	20	49
40179019	6	32	40180928	26	67	70001463	20	59
40179020	6	33	40180929	26	66	70001465	20	48
40179021	6	36	40180931	26	56·107	70001477	18	37
40179022	6	37	40180932	26	57	70001478	18	35
40179023	6	41	40180935	26	58	70001485	20	72
40179024	6	42	40180936	8	60	70001486	20	77
40179025	6	46	40180937	8	61	70001487	18	29
40179026	8	48	40180938	18	8	70001488	18	32
40179028	8	55	40180939	18	9	70001489	18	33
40179029	8	56	40180940	26	70	70001490	18	34
40179030	8	57	40180942	26	59	70001491	18	39
40179031	8	58	40180943	26	61	70001492	18	42
40179055	30	16	40180944	26	63	70001493	18	43
40179056	30	17	40180945	26	69	70001494	20	78
40179057	30	18	40180946	26	65	70001495	18	25
40179059	30	20	40180948	26	71	70001498	20	82
40179060	30	19	40180949	24	28·29	70001500	20	70
40179061	30	28	40180954	26	79	70001537	10	3
40179062	30	21	40181161	24	13	70001540	10	18
40179063	30	9	40181162	24	18	70001543	10	32
40179064	30	11	40181163	24	19	70001546	10	20
40179065	30	12	40181164	24	21	70001584	22	36
40179066	30	10	40181165	24	26	70001642	2	29
40179067	30	8	40181218	8	59	70001643	2	15
40179070	30	13·14	40181219	18	15	70001655	2	2
40179071	30	13·14	40181242	8	62	70001661	2	10
40179073	30	22	40181284	24	1~3·97	70001663	2	24
40179074	4	67	40181285	24	1~3·97	70001712	32	48
40179075	30	1	40181286	24	1~3·97	70001729	22	4
40179076	30	2·3	40181287	26	73	70001734	22	14
40179077	30	2·3	40181288	26	84	70001735	22	16
40179078	30	29	40190480	28	60·108	70001738	22	27
40179081	18	18	40190482	28	64·109	70001745	22	29
40179082	18	1	40190484	28	110	70001753	22	40
40179083	18	4	40190485	28	56·107	70001754	22	10
40179084	18	5	40190729	32	54	70001758	22	41
40179085	18	6	40191094	32	53	70001856	14	22
40179086	8	63	40191522	28	94~96	70001857	14	23
40179088	18	11	40191753	28	1~3·97	70001861	14	45
40179089	18	10	40192941	28	94~96	70001866	2	1
40180364	28	33·72·101	40195026	30	15	70001869	16	48
40180923	26	60·108	70001413	4	56	70001988	22	1

NUMERICAL INDEX OF PARTS

PART NO	PAGE	REF NO.	PART NO	PAGE	REF NO.	PART NO	PAGE	REF NO.
70003355	4	61	HN004420000	28	90~93	PS0400082KP	10	34
70004194	22	8	HN004430000	28	113	PS0500142KP	20	81
70004199	22	5	HX00065000C	28	117	PV200202000	18	19
70004372	4	60	HX00150000H	8	52	PX050501000	18	2
70004374	2	36	HX00188000D	24	98	RE0200000K0	30	24
70004375	22	31	HX00188000D	28	98	RE0250000K0	16	59
70004494	16	52	HX00233000D	18	14	RE0400000KP	6	35
70004733	22	39	HX002940000	24	40	RE0600000K0	16	60
70004844	14	40	HX00314000D	4	48	RO037180100	2	9
70004845	14	46	HX00326000K	24	99	RO437200200	14	2
70005042	30	33	HX00326000K	28	99	SD0450177TN	30	27
70005281	30	38	HX004070000	24	17	SD064024CSP	22	19
70005282	30	39	HX007210000	24	31	SD070020CTP	20	75
70005283	30	40	KX000000210	24	41·111	SD0700586TP	20	80
70005385	30	32	KX000000210	28	41·111	SK3381301SE	28	89
B9214850000	10	21	KX000000230	26	118	SL4030891SC	6	6
BME01100000	26	51·52	KX000000230	28	118	SL4031091SC	24	32
BME03200000	26	51·52	M300451100A	26	81	SL4033091SC	24	11
BT0400251EB	18	20~22	MAO11532000	26	82·83	SL4040681SC	24	35
BT0400251EB	30	34~37	MTSHJ100003	26	74	SL4040881SC	24	42·105
BT0600401EB	30	43	MUY128S1000	30	5	SL4040891SC	8	51
CM200100001	28	100	NM6030001SC	22	35	SL4040891SC	24	39·119
CM300100003	24	44	NM6040000SN	2	59	SL4040891SC	28	39·119
CM300100401	26	49	NM6040000SN	4	59	SL4041081SC	24	120
CM300400601	26	45·46	NM6040001SD	24	112	SL4041081SC	28	120
CM300400701	26	45·46	NM6040001SD	28	112	SL4041091SC	24	20
CM600100201	28	94~96	NM6040002SN	8	50	SL4041281SC	24	30
CQ303000000	16	51	NM6050001SC	6	53	SL4041291SC	24	27
CS1000881TP	10	6	NM6050001SC	8	53	SL4042081SC	24	38·103
E2613700000	6	40	NM6050001SP	14	27	SL4042081SC	28	38·103
E9567319000	24	24	NM6060001CP	18	27	SL6040892TN	6	8
E9607603000	26	54	NM6080001SC	28	87	SL6041092TN	18	13
EA9500B0100	16	68	NM6080002SC	26	77	SL6041092TN	24	22
EA9500B0100	24	116	NM6850001SC	22	38	SL6041292TN	6	18
EA9500B0100	26	116	PC012401000	30	45	SL6042092TN	2	30
EA9500B0100	28	116	PC012601000	16	69	SL6083092TN	26	85
HK057950080	24	37·102	PF0205010C0	18	16	SM1030800SM	22	2
HK057950080	28	37·102	PH0150065C0	14	44	SM1040650TP	10	38
HK057990060	26	48	PH0300252C0	2	7	SM1040750TP	10	30
HM002300000	6	17	PH0400185S0	14	10	SM1040800SP	2	39
HM002300010	24	28·29	PJ304040504	18	17	SM1040852TP	6	38
HN003560000	28	114	PJ305060004	30	42	SM1040860SP	2	28
HN004210000	28	115	PJ308060002	30	44	SM4030401SC	18	12
HN004390000	28	90~93	PS0150082KH	10	22	SM4030455SP	14	41
HN004410000	28	90~93	PS0200062KH	14	47	SM4030455SP	22	22

NUMERICAL INDEX OF PARTS

PART NO	PAGE	REF NO.	PART NO	PAGE	REF NO.	PART NO	PAGE	REF NO.
SM4030655SP	4	65	SM6042002TN	32	49	WP0430801SC	6	49
SM4030655SP	10	46	SM6050800SP	4	57	WP0430801SC	8	49
SM4030655SP	14	43	SM6050800SP	22	15	WP0430801SC	16	49
SM4030855SN	10	27	SM6051000SP	14	42	WP0430801SC	32	47
SM4030855SN	18	46	SM6051002TP	10	1	WP0450801SC	10	17
SM40405C5SP	10	16	SM6051002TP	18	30	WP0450801SC	14	14
SM4040655SP	2	20	SM6051202TP	18	61	WP0450826SC	18	40
SM4040655SP	10	33	SM6051202TP	20	61	WP0450826SC	32	50
SM4040655SP	14	50	SM6051400SP	14	3	WP0522016SH	10	4
SM4040655SP	16	50	SM6051402TP	10	12	WP0531001SC	6	7
SM4040655SP	22	42	SM6061202TP	18	28	WP0550800SP	14	26
SM4040855SP	2	52	SM6061602TP	6	15	WP0551016SH	18	31
SM4040855SP	4	52	SM60625C0TP	18	26	WP0621016SD	6	34
SM4041001SC	28	42-105	SM6850350TP	2	44	WP0641601SC	6	16
SM4041055SP	2	58	SM6850350TP	30	41	WP0820516SP	14	36
SM4041055SP	4	58	SM6850802TN	22	37	WP0841601SC	28	86
SM4041055SP	10	15	SM8030312TP	10	26	WP0852086SC	26	75
SM4041055SP	16	66	SM8030312TP	14	39	WS0410002KN	6	23
SM4041055SP	18	41	SM8030312TP	30	7	WS0510002KN	6	54
SM4042055SP	2	11	SM8030412TP	30	26	WS0510002KN	8	54
SM4051455SP	2	31	SM8040360TP	2	41	WS0510002KN	10	11
SM4850455SP	12	54	SM8040412TP	2	37	WS0510002KP	4	54
SM48504C5SP	10	37	SM8040412TP	6	47	WS0510002KP	10	2
SM48504C5SP	22	26	SM8040412TP	14	21	WS0820002KR	26	76
SM5030555SN	22	30	SM8040412TP	30	23	WZ0641510KP	22	18
SM5040655SN	2	14	SM8040512TP	18	44			
SM5040855SN	6	20	SM8040612TP	6	10			
SM6020350SP	6	45	SM8041012TP	2	16			
SM6030500SN	14	56	SM8050612TP	10	7			
SM6030500SN	16	56	SM8050612TP	22	9			
SM6030600SP	14	16	SM8060552TP	14	19			
SM6030650TP	4	66	SM8060552TP	22	12			
SM6040450TP	2	47	ST4040851SN	10	23			
SM6040450TP	30	46	TA0620504R0	22	43			
SM6040650TP	22	28	TA0750404R0	20	67			
SM60407C0TP	2	22	TA1250705R0	26	53			
SM6040800SP	2	25	WP0280500SC	22	25			
SM6040800SP	14	54	WP0280501SC	10	53			
SM6040800SP	16	54	WP0280501SC	12	53			
SM6040800SP	18	38	WP0280501SC	30	25			
SM6040802TP	6	21	WP0320501SC	10	45			
SM6041000SP	20	71	WP0320501SC	22	21			
SM6041050TP	14	7	WP0410516SD	22	17			
SM6041200SP	20	73	WP0430801SC	2	50			
SM6041202TP	20	79	WP0430801SC	4	50			