

MODEL : SC-950/SC-951

List No : 1695-00

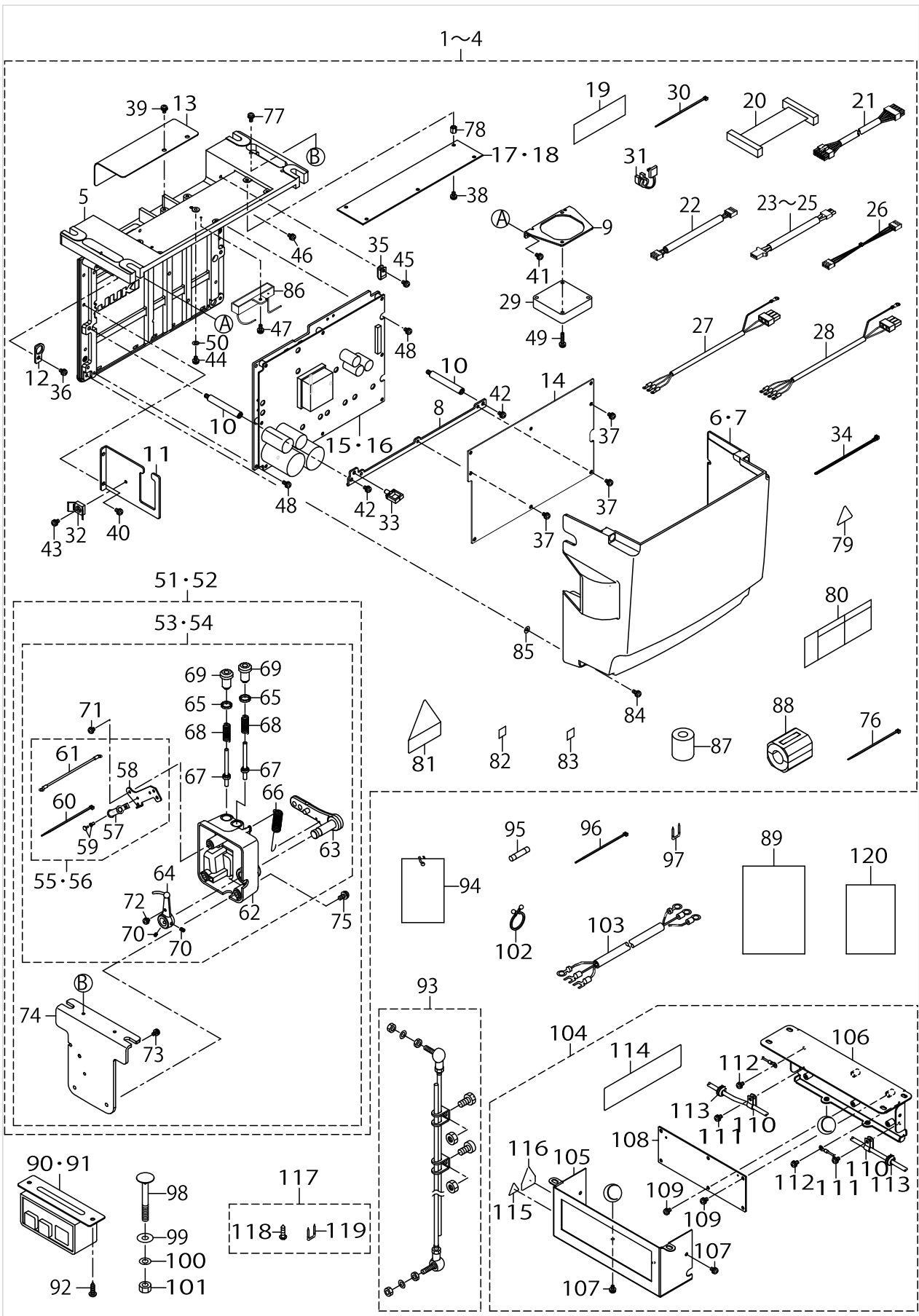
PARTS LIST

Published:09/10/2017

CONTENTS

SC-950 (TYPE FULL DIGITAL).....	1
SC-951 (TYPE DIGITAL).....	7
HOW TO MAKE USE OF THIS PARTS LIST	13

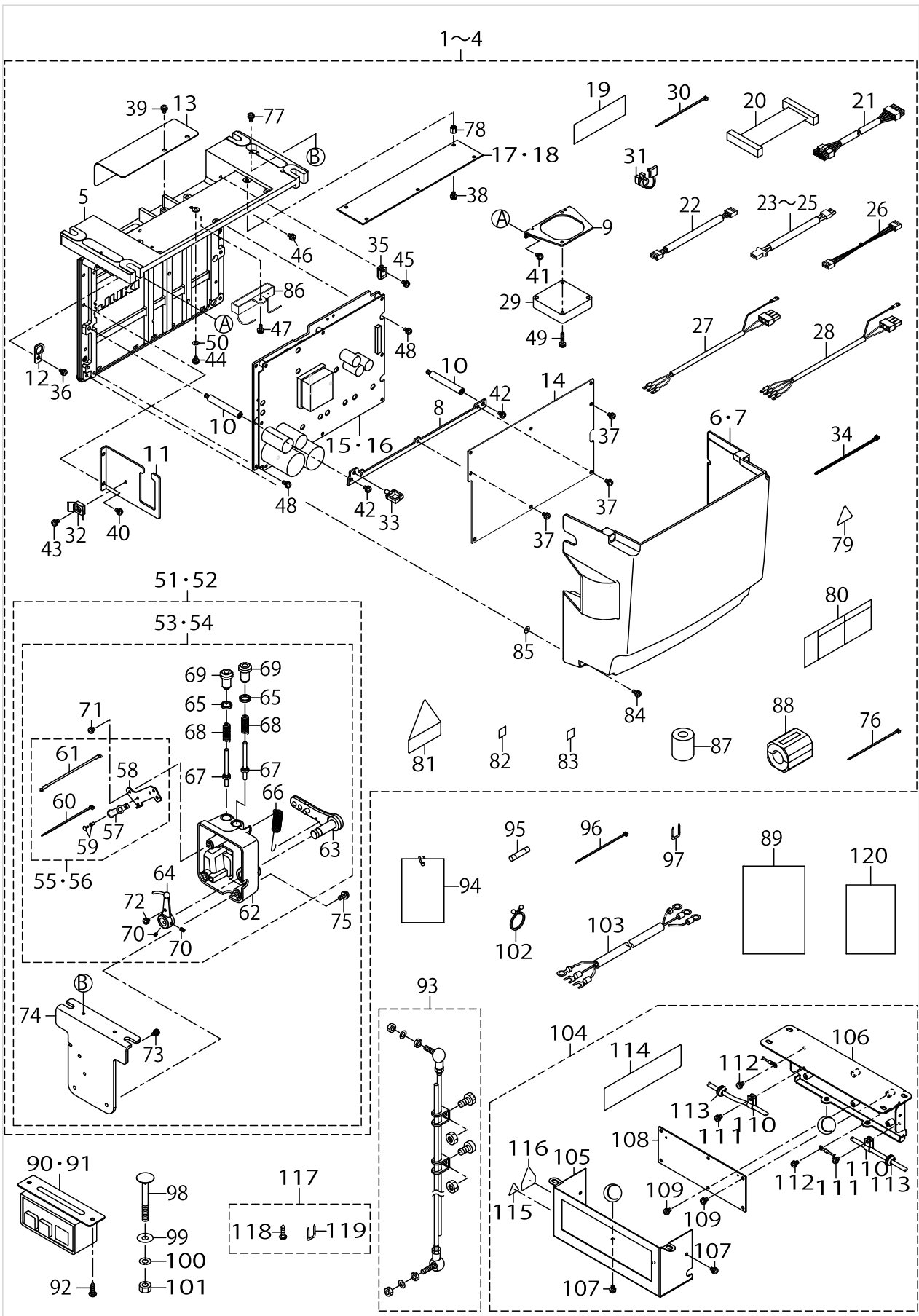
SC-950 (TYPE FULL DIGITAL)



SC-950 (TYPE FULL DIGITAL)

No.	Parts No.	Parts name	Remarks	Level	Cons	Qty
1	40171015	PSC UNIT 1PHASE 220~240V	FOR 1-PHASE 220~240V			1
2	40171016	PSC UNIT 3PHASE 200~240V	FOR 3-PHASE 200~240V			1
3	40171017	PSC UNIT 1PHASE 100~120V	FOR 1-PHASE 100~120V			1
4	40171018	PSC UNIT 1PHASE 220~240V CE	FOR 1-PHASE 220~240V CE			1
5	40171748	BOX FRAME		*		1
6	40171747	BOX COVER	EXCEPT 1-PHASE 220~240V CE	*		1
7	40170984	BOX_COVER_CE	FOR 1-PHASE 220~240V CE	*		1
8	40115877	MAIN_PLATE		*		1
9	40115874	FAN_PLATE		*		1
10	40143990	STUD		*		2
11	40171750	PLATE_B		*		1
12	40173469	PLATE_C		*		1
13	40115879	FAN_COVER		*		1
14	40170990	CTL PCB ASSY		*		1
15	40170970	PWR PCB ASSY	EXCEPT 1-PHASE 220~240V CE	*		1
16	40176830	PWR-CE PCB ASSY	FOR 1-PHASE 220~240V CE	*		1
17	40169130	FLT-S PCB ASSY	FOR 1-PHASE 220~240V	*		1
18	40169140	FLT-T PCB ASSY	FOR 3-PHASE 200~240V FOR 1-PHASE 100~120V	*		1
19	40114398	MAIN COOL SHEET		*		2
20	40170983	CTL-PWR S CORD ASSY		*		1
21	40175579	CTL-PWR P CORD ASSY		*		1
22	40175580	CTL-PWR T CORD ASSY		*		1
23	40175581	FLT-PWR CORD ASSY (200V)	FOR 1-PHASE 220~240V FOR 3-PHASE 200~240V	*		1
24	40175582	FLT-PWR CORD ASSY (100V)	FOR 1-PHASE 100~120V	*		1
25	40176825	FLT-PWR CORD ASSY (CE)	FOR 1-PHASE 220~240V CE	*		1
26	40175583	FLT-CTL CORD ASSY		*		1
27	40175586	AC INPUT CORD S ASSY	FOR 1-PHASE 220~240V	*		1
28	40175587	AC INPUT CORD T ASSY	FOR 3-PHASE 200~240V FOR 1-PHASE 100~120V	*		1
29	40111214	FAN MOTOR ASSY		*		1
30	EA9500B0100	CABLE BAND		*		1
31	KX000000320	BUSH		*		1
32	KX000000260	SADDLE TYPE TIE MOUNT		*		1
33	HX00222000D	WIRE SADDLE		*		1
34	HX00292000A	CABLE BAND		*		1
35	HX00150000A	CABLE CLAMP		*		1
36	SL4040881SC	SCREW M4 L=8		*		1
37	SL4040881SC	SCREW M4 L=8		*		8
38	SL4040881SC	SCREW M4 L=8		*		5
39	SL4040881SC	SCREW M4 L=8		*		2
40	SL4040881SC	SCREW M4 L=8		*		2
41	SL4040881SC	SCREW M4 L=8		*		2
42	SL4040881SC	SCREW M4 L=8		*		2
43	SL4040881SC	SCREW M4 L=8		*		1
44	SL4040881SC	SCREW M4 L=8		*		1
45	SL4040881SC	SCREW M4 L=8		*		1
46	SL4040881SC	SCREW M4 L=8		*		6

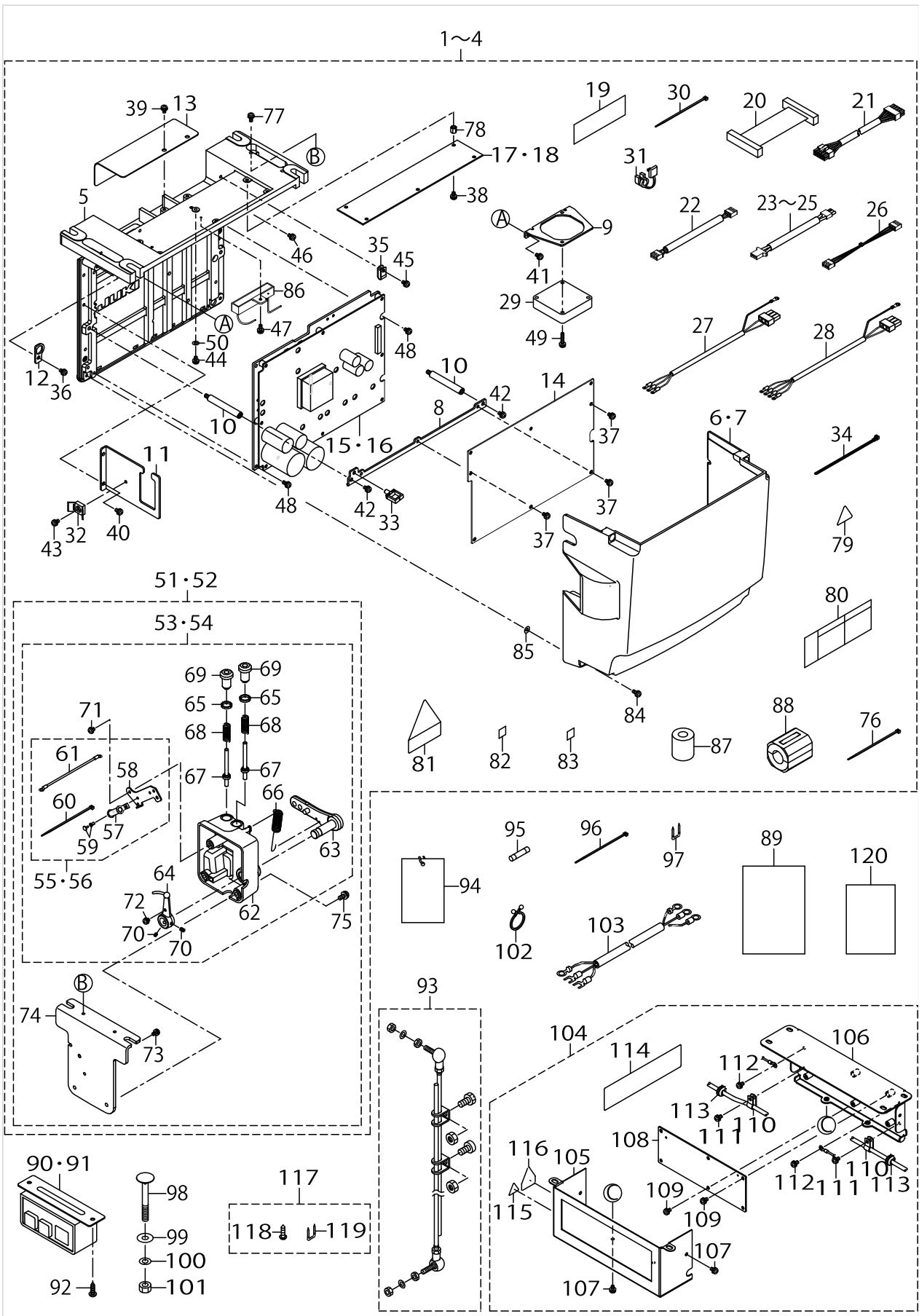
SC-950 (TYPE FULL DIGITAL)



SC-950 (TYPE FULL DIGITAL)

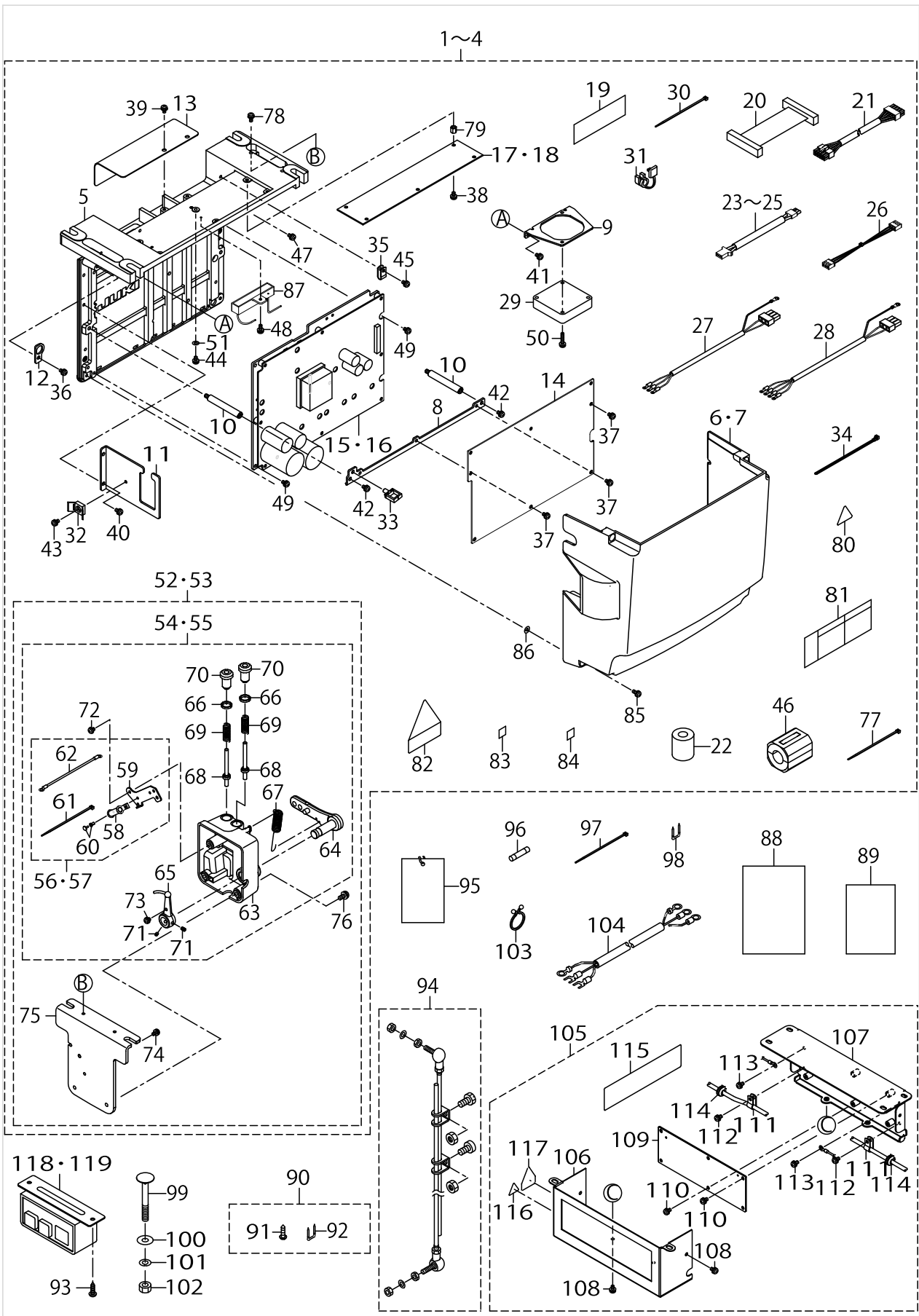
No.	Parts No.	Parts name	Remarks	Level	Cons	Qty
47	SL4041081SC	SCREW M4 L=10		*		1
48	SL4041081SC	SCREW M4 L=10		*		4
49	SL4042091SC	SCREW M4 L=20		*		2
50	WP0430800SC	WASHER M4		*		1
51	40170965	PEDAL SENSOR BASE ASSY	EXCEPT 1-PHASE 220~240V CE	*		1
52	40176828	PEDAL SENSOR BASE ASSY CE	FOR 1-PHASE 220~240V CE	*		1
53	40171020	PEDAL SENSOR ASSY	EXCEPT 1-PHASE 220~240V CE	*		1
54	40171019	PEDAL SENSOR ASSY CE	FOR 1-PHASE 220~240V CE	*		1
55	40170968	PEDAL SENSOR COIL HOLD ASSY	EXCEPT 1-PHASE 220~240V CE	*		1
56	40176826	PEDAL SENSOR COIL HOLD ASSY CE	FOR 1-PHASE 220~240V CE	*		1
57	40170967	PEDAL SENSOR COIL ASSY		*		1
58	40042136	COIL_BASE		*		1
59	40052809	NYLON_RIVET		*		2
60	EA9500B0100	CABLE BAND		*		1
61	40176827	PEDAL CORD	FOR 1-PHASE 220~240V CE	*		1
62	40170980	PEDAL_SENSOR_BASE		*		1
63	40042131	PEDAL_LEVER		*		1
64	40177068	PEDAL_LEVER_FG		*		1
65	40006202	ADJUST_NUT		*		2
66	40006207	FRONT_SPRING		*		1
67	40006208	SPRING_SHAFT_A		*		2
68	40049426	SPRING_C		*		2
69	40006212	ADJUST_SCREW		*		2
70	SM8040612TP	SCREW M4 L=6		*		2
71	SV4030601SR	SCREW M3 L=6		*		2
72	SL4040681SC	SCREW M4 L=6	FOR 1-PHASE 220~240V CE	*		1
73	SL4040881SC	SCREW M4 L=8	FOR 1-PHASE 220~240V CE	*		1
74	40170964	PEDAL SENSOR BRACKET		*		1
75	SL4051281SC	SCREW M5 L=12		*		3
76	EA9500B0100	CABLE BAND	FOR 1-PHASE 220~240V CE	*		5
77	SL4041281SC	SCREW M4X0.7 L=12		*		2
78	HX00339000M	SPACER		*		5
79	CM300100001	VOLTAGE WARNING LABEL (31.5)	FOR 1-PHASE 220~240V	*		1
80	CM300100402	VOLTAGE DANGER LABEL 3 (SMALL)	FOR 3-PHASE 200~240V FOR 1-PHASE 100~120V	*		1
81	CM300400602	VOLTAGE CAUTION LABEL L=25		*		1
82	CM600100101	WEEE MARK LABEL S	FOR 1-PHASE 220~240V CE	*		1
83	40150131	EAC_MARK_LABEL_S	FOR 1-PHASE 220~240V CE	*		1
84	SL4041281SC	SCREW M4 L=12		*		4
85	M8002430000	STOPPER		*		4
86	40141206	RESISTANCE_A_ASSY		*		1
87	HN001490000	CORES	FOR 1-PHASE 220~240V CE	*		4
88	HN004210000	CORES	FOR 1-PHASE 220~240V CE	*		1
89	CM600100201	WEEE INFORMATION SHEET	FOR 1-PHASE 220~240V CE			1
90	40111651	POWER SWITCH ASM	FOR 1-PHASE 220~240V			1
91	40118323	POWER SWITCH ASSY	FOR 3-PHASE 200~240V			1
92	SK3512001SE	WOOD SCREW D=5.1 L=20	FOR 1-PHASE 220~240V FOR 3-PHASE 200~240V			2

SC-950 (TYPE FULL DIGITAL)



SC-950 (TYPE FULL DIGITAL)

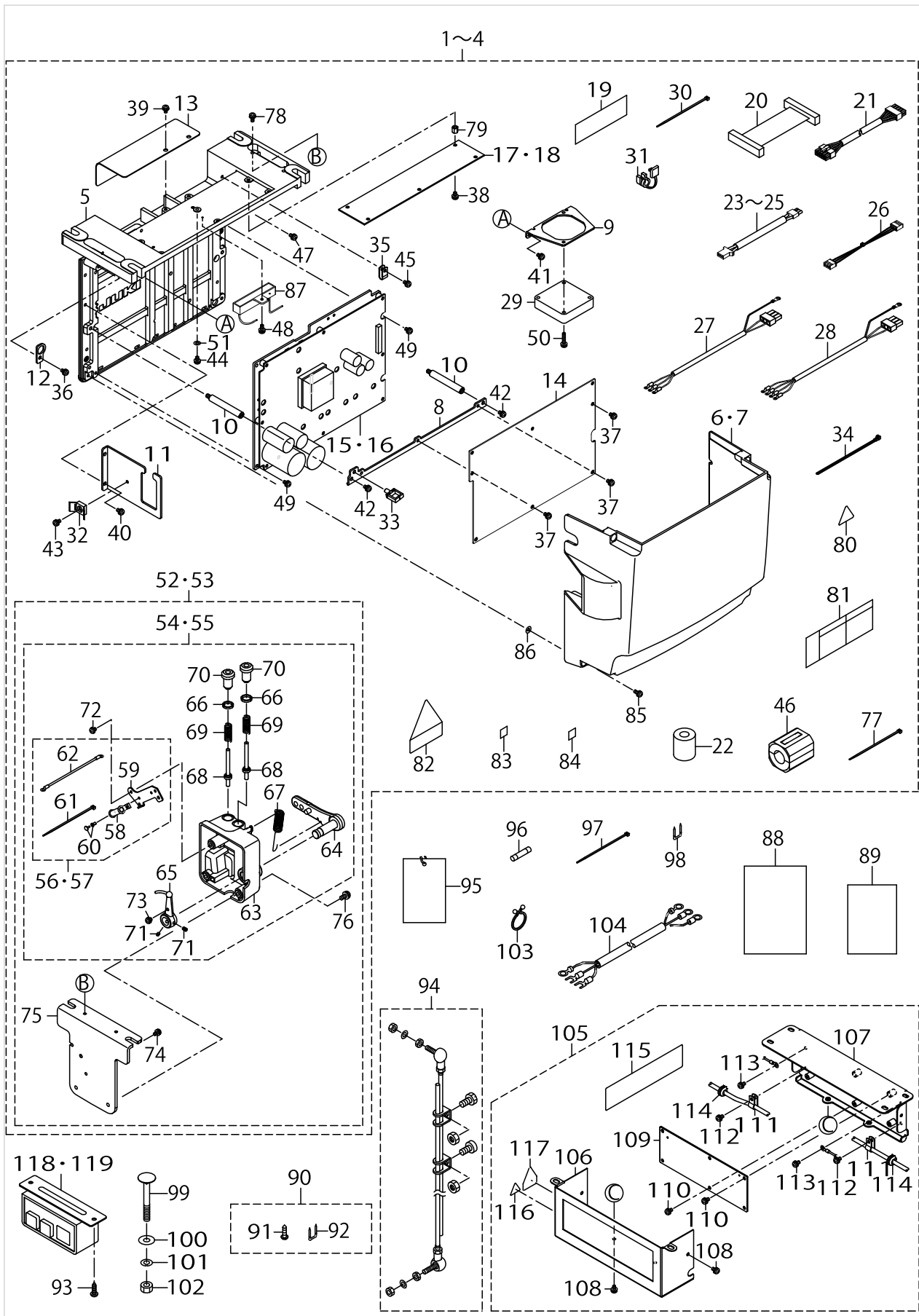
No.	Parts No.	Parts name	Remarks	Level	Cons	Qty
93	40088314	CONNECING_ROD_ASSY				1
94	M300451100A	VOLTAGE INDICATION CARD				1
95	HF0013050P0	SLO-BLO FUSE				1
96	EA9500B0200	CABLE BAND				2
97	MAO11532000	CORD STAPLE				2
98	40093426	MOTOR FITTING BOLT L=75				4
99	WP0852086SC	WASHER M8				4
100	WS0820002KR	SPRING WASHER M8				4
101	NM6080002SC	NUT M8X1.25 TYPE2				4
102	HX005100000	OMEGALOCK				2
103	M6102461DAA	AC INPUT CABLE ASM.(CE)	FOR 1-PHASE 220~240V CE			1
104	40180862	REACTOR BOX ASSY 1P	FOR 1-PHASE 220~240V CE			1
105	40161413	REACTOR_BOX_COVER_A_ASSY		*		1
106	40161414	REACTOR BOX BASE		*		1
107	SL4040881SC	SCREW M4 L=8		*		4
108	40180849	REACTOR PCB ASSY 1P		*		1
109	SL4040881SC	SCREW M4 L=8		*		6
110	HX00150000B	CABLE CLAMP		*		2
111	SL4040881SC	SCREW M4 L=8		*		2
112	SL4040881SC	SCREW M4 L=8		*		2
113	M1013110000	CORD BUSH A		*		2
114	CM300100302	VOLTAGE DANGER LABEL 2 (SMALL)		*		1
115	CM300100003	VOLTAGE WARNING LABEL (25)		*		1
116	CM300400602	VOLTAGE CAUTION LABEL L=25		*		1
117	40162979	REACTOR BOX ACCESSORY	FOR 1-PHASE 220~240V CE			1
118	SK3512001SE	WOOD SCREW D=5.1 L=20		*		4
119	MAO11532000	CORD STAPLE		*		4
120	40178542	SC950 USE INSTRUCTION 10K				1



SC-951 (TYPE DIGITAL)

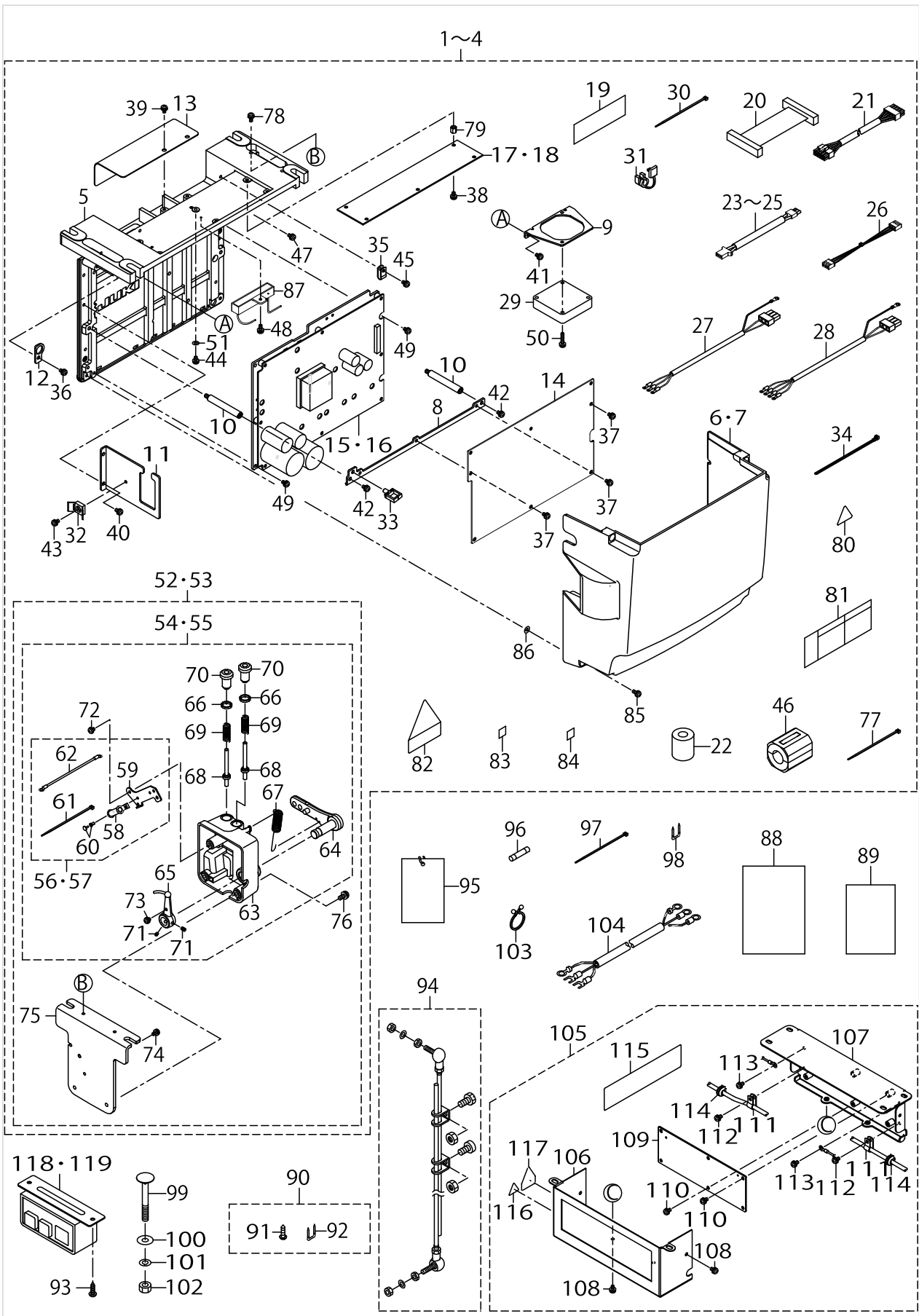
No.	Parts No.	Parts name	Remarks	Level	Cons	Qty
1	40171010	PSC UNIT 1PHASE 220~240V	FOR 1-PHASE 220~240V			1
2	40171011	PSC UNIT 3PHASE 200~240V	FOR 3-PHASE 200~240V			1
3	40171012	PSC UNIT 1PHASE 100~120V	FOR 1-PHASE 100~120V			1
4	40171013	PSC UNIT 1PHASE 220~240V CE	FOR 1-PHASE 220~240V CE			1
5	40171748	BOX FRAME		*		1
6	40171747	BOX COVER	EXCEPT 1-PHASE 220~240V CE	*		1
7	40170984	BOX_COVER_CE	FOR 1-PHASE 220~240V CE	*		1
8	40115877	MAIN_PLATE		*		1
9	40115874	FAN_PLATE		*		1
10	40143990	STUD		*		2
11	40171750	PLATE_B		*		1
12	40173469	PLATE_C		*		1
13	40115879	FAN_COVER		*		1
14	40170987	CTL PCB ASSY D		*		1
15	40170970	PWR PCB ASSY	EXCEPT 1-PHASE 220~240V CE	*		1
16	40176830	PWR-CE PCB ASSY	FOR 1-PHASE 220~240V CE	*		1
17	40169130	FLT-S PCB ASSY	FOR 1-PHASE 220~240V	*		1
18	40169140	FLT-T PCB ASSY	FOR 3-PHASE 200~240V FOR 1-PHASE 100~120V	*		1
19	40114398	MAIN COOL SHEET		*		2
20	40170983	CTL-PWR S CORD ASSY		*		1
21	40175579	CTL-PWR P CORD ASSY		*		1
22	HN001490000	CORES	FOR 1-PHASE 220~240V CE	*		4
23	40175581	FLT-PWR CORD ASSY (200V)	FOR 1-PHASE 220~240V FOR 3-PHASE 200~240V	*		1
24	40175582	FLT-PWR CORD ASSY (100V)	FOR 1-PHASE 100~120V	*		1
25	40176825	FLT-PWR CORD ASSY (CE)	FOR 1-PHASE 220~240V CE	*		1
26	40175583	FLT-CTL CORD ASSY		*		1
27	40175586	AC INPUT CORD S ASSY	FOR 1-PHASE 220~240V	*		1
28	40175587	AC INPUT CORD T ASSY	FOR 3-PHASE 200~240V FOR 1-PHASE 100~120V	*		1
29	40111214	FAN MOTOR ASSY		*		1
30	EA9500B0100	CABLE BAND		*		1
31	KX000000320	BUSH		*		1
32	KX000000260	SADDLE TYPE TIE MOUNT		*		1
33	HX00222000D	WIRE SADDLE		*		1
34	HX00292000A	CABLE BAND		*		1
35	HX00150000A	CABLE CLAMP		*		1
36	SL4040881SC	SCREW M4 L=8		*		1
37	SL4040881SC	SCREW M4 L=8		*		8
38	SL4040881SC	SCREW M4 L=8		*		5
39	SL4040881SC	SCREW M4 L=8		*		2
40	SL4040881SC	SCREW M4 L=8		*		2
41	SL4040881SC	SCREW M4 L=8		*		2
42	SL4040881SC	SCREW M4 L=8		*		2
43	SL4040881SC	SCREW M4 L=8		*		1
44	SL4040881SC	SCREW M4 L=8		*		1
45	SL4040881SC	SCREW M4 L=8		*		1
46	HN004210000	CORES	FOR 1-PHASE 220~240V CE	*		1

SC-951 (TYPE DIGITAL)



SC-951 (TYPE DIGITAL)

No.	Parts No.	Parts name	Remarks	Level	Cons	Qty
47	SL4040881SC	SCREW M4 L=8		*		6
48	SL4041081SC	SCREW M4 L=10		*		1
49	SL4041081SC	SCREW M4 L=10		*		4
50	SL4042091SC	SCREW M4 L=20		*		2
51	WP0430800SC	WASHER M4		*		1
52	40170965	PEDAL SENSOR BASE ASSY	EXCEPT 1-PHASE 220~240V CE	*		1
53	40176828	PEDAL SENSOR BASE ASSY CE	FOR 1-PHASE 220~240V CE	*		1
54	40171020	PEDAL SENSOR ASSY	EXCEPT 1-PHASE 220~240V CE	*		1
55	40171019	PEDAL SENSOR ASSY CE	FOR 1-PHASE 220~240V CE	*		1
56	40170968	PEDAL SENSOR COIL HOLD ASSY	EXCEPT 1-PHASE 220~240V CE	*		1
57	40176826	PEDAL SENSOR COIL HOLD ASSY CE	FOR 1-PHASE 220~240V CE	*		1
58	40170967	PEDAL SENSOR COIL ASSY		*		1
59	40042136	COIL_BASE		*		1
60	40052809	NYLON_RIVET		*		2
61	EA9500B0100	CABLE BAND		*		1
62	40176827	PEDAL CORD	FOR 1-PHASE 220~240V CE	*		1
63	40170980	PEDAL_SENSOR_BASE		*		1
64	40042131	PEDAL_LEVER		*		1
65	40177068	PEDAL_LEVER_FG		*		1
66	40006202	ADJUST_NUT		*		2
67	40006207	FRONT_SPRING		*		1
68	40006208	SPRING_SHAFT_A		*		2
69	40049426	SPRING_C		*		2
70	40006212	ADJUST_SCREW		*		2
71	SM8040612TP	SCREW M4 L=6		*		2
72	SV4030601SR	SCREW M3 L=6		*		2
73	SL4040681SC	SCREW M4 L=6	FOR 1-PHASE 220~240V CE	*		1
74	SL4040881SC	SCREW M4 L=8	FOR 1-PHASE 220~240V CE	*		1
75	40170964	PEDAL SENSOR BRACKET		*		1
76	SL4051281SC	SCREW M5 L=12		*		3
77	EA9500B0100	CABLE BAND	FOR 1-PHASE 220~240V CE	*		5
78	SL4041281SC	SCREW M4X0.7 L=12		*		2
79	HX00339000M	SPACER		*		5
80	CM300100001	VOLTAGE WARNING LABEL (31.5)	FOR 1-PHASE 220~240V	*		1
81	CM300100402	VOLTAGE DANGER LABEL 3 (SMALL)	FOR 3-PHASE 200~240V FOR 1-PHASE 100~120V	*		1
82	CM300400602	VOLTAGE CAUTION LABEL L=25		*		1
83	CM600100101	WEEE MARK LABEL S	FOR 1-PHASE 220~240V CE	*		1
84	40150131	EAC_MARK_LABEL_S	FOR 1-PHASE 220~240V CE	*		1
85	SL4041281SC	SCREW M4 L=12		*		4
86	M8002430000	STOPPER		*		4
87	40141206	RESISTANCE_A_ASSY		*		1
88	CM600100201	WEEE INFORMATION SHEET	FOR 1-PHASE 220~240V CE			1
89	40178542	SC950 USE INSTRUCTION 10K				1
90	40162979	REACTOR BOX ACCESSORY	FOR 1-PHASE 220~240V CE			1
91	SK3512001SE	WOOD SCREW D=5.1 L=20		*		4
92	MAO11532000	CORD STAPLE		*		4



SC-951 (TYPE DIGITAL)

No.	Parts No.	Parts name	Remarks	Level	Cons	Qty
93	SK3512001SE	WOOD SCREW D=5.1 L=20	FOR 1-PHASE 220~240V FOR 3-PHASE 200~240V			2
94	40088314	CONNECING_ROD_ASSY				1
95	M300451100A	VOLTAGE INDICATION CARD				1
96	HF0013050P0	SLO-BLO FUSE				1
97	EA9500B0200	CABLE BAND				2
98	MAO11532000	CORD STAPLE				2
99	40093426	MOTOR FITTING BOLT L=75				4
100	WP0852086SC	WASHER M8				4
101	WS0820002KR	SPRING WASHER M8				4
102	NM6080002SC	NUT M8X1.25 TYPE2				4
103	HX005100000	OMEGALOCK				2
104	M6102461DAA	AC INPUT CABLE ASM.(CE)	FOR 1-PHASE 220~240V CE			1
105	40180862	REACTOR BOX ASSY 1P	FOR 1-PHASE 220~240V CE			1
106	40161413	REACTOR_BOX_COVER_A_ASSY		*		1
107	40161414	REACTOR BOX BASE		*		1
108	SL4040881SC	SCREW M4 L=8		*		4
109	40180849	REACTOR PCB ASSY 1P		*		1
110	SL4040881SC	SCREW M4 L=8		*		6
111	HX00150000B	CABLE CLAMP		*		2
112	SL4040881SC	SCREW M4 L=8		*		2
113	SL4040881SC	SCREW M4 L=8		*		2
114	M1013110000	CORD BUSH A		*		2
115	CM300100302	VOLTAGE DANGER LABEL 2 (SMALL)		*		1
116	CM300100003	VOLTAGE WARNING LABEL (25)		*		1
117	CM300400602	VOLTAGE CAUTION LABEL L=25		*		1
118	40111651	POWER SWITCH ASM	FOR 1-PHASE 220~240V			1
119	40118323	POWER SWITCH ASSY	FOR 3-PHASE 200~240V			1

HOW TO MAKE USE OF THIS PARTS LIST

1.As to "#01" and "#02" refer to the "Note" given at the bottom of the respective pages.

2.Codes on the "Qty" column

- Each numeral indicates the number of parts required.
- "0.1" and "2.5" indicate the length (in meters) of the respective parts.

3.Parentheses mean that the corresponding part is a subpart that constructs an assembly part.

4.Dotted lines on the Figures indicate assembly parts.

1. リストページの# 0 1、# 0 2の印は、ページ下の"注記"の説明を参照下さい。
2. 数量欄の数字は、個数を表し、0. 1、2. 5等の数値は、長さ（単位メートル）を表します。
3. 数量欄の（ ）は、組部品を構成している子部品であることを意味します。
4. イラストページの-----枠は、組構成であることを意味します。

NUMERICAL INDEX OF PARTS

PART NO	PAGE	REF NO.	PART NO	PAGE	REF NO.	PART NO	PAGE	REF NO.
40006202	4	65	40162979	10	90	40175580	2	22
40006202	10	66	40169130	2	17·18	40175581	2	23~25
40006207	4	66	40169130	8	17·18	40175581	8	23~25
40006207	10	67	40169140	2	17·18	40175582	2	23~25
40006208	4	67	40169140	8	17·18	40175582	8	23~25
40006208	10	68	40170964	4	74	40175583	2	26
40006212	4	69	40170964	10	75	40175583	8	26
40006212	10	70	40170965	4	51·52	40175586	2	27
40042131	4	63	40170965	10	52·53	40175586	8	27
40042131	10	64	40170967	4	57	40175587	2	28
40042136	4	58	40170967	10	58	40175587	8	28
40042136	10	59	40170968	4	55·56	40176825	2	23~25
40049426	4	68	40170968	10	56·57	40176825	8	23~25
40049426	10	69	40170970	2	15·16	40176826	4	55·56
40052809	4	59	40170970	8	15·16	40176826	10	56·57
40052809	10	60	40170980	4	62	40176827	4	61
40088314	6	93	40170980	10	63	40176827	10	62
40088314	12	94	40170983	2	20	40176828	4	51·52
40093426	6	98	40170983	8	20	40176828	10	52·53
40093426	12	99	40170984	2	6·7	40176830	2	15·16
40111214	2	29	40170984	8	6·7	40176830	8	15·16
40111214	8	29	40170987	8	14	40177068	4	64
40111651	4	90·91	40170990	2	14	40177068	10	65
40111651	12	118·119	40171010	8	1~4	40178542	6	120
40114398	2	19	40171011	8	1~4	40178542	10	89
40114398	8	19	40171012	8	1~4	40180849	6	108
40115874	2	9	40171013	8	1~4	40180849	12	109
40115874	8	9	40171015	2	1~4	40180862	6	104
40115877	2	8	40171016	2	1~4	40180862	12	105
40115877	8	8	40171017	2	1~4	CM300100001	4	79
40115879	2	13	40171018	2	1~4	CM300100001	10	80
40115879	8	13	40171019	4	53·54	CM300100003	6	115
40118323	4	90·91	40171019	10	54·55	CM300100003	12	116
40118323	12	118·119	40171020	4	53·54	CM300100302	6	114
40141206	4	86	40171020	10	54·55	CM300100302	12	115
40141206	10	87	40171747	2	6·7	CM300100402	4	80
40143990	2	10	40171747	8	6·7	CM300100402	10	81
40143990	8	10	40171748	2	5	CM300400602	4	116
40150131	4	83	40171748	8	5	CM300400602	6	116
40150131	10	84	40171750	2	11	CM300400602	10	117
40161413	6	105	40171750	8	11	CM300400602	12	117
40161413	12	106	40173469	2	12	CM600100101	4	82
40161414	6	106	40173469	8	12	CM600100101	10	83
40161414	12	107	40175579	2	21	CM600100201	4	89
40162979	6	117	40175579	8	21	CM600100201	10	88

NUMERICAL INDEX OF PARTS

PART NO	PAGE	REF NO.	PART NO	PAGE	REF NO.
EA9500B0100	2	76	SL4040681SC	4	72
EA9500B0100	4	76	SL4040681SC	10	73
EA9500B0100	8	77	SL4040881SC	2	112
EA9500B0100	10	77	SL4040881SC	4	112
EA9500B0200	6	96	SL4040881SC	6	112
EA9500B0200	12	97	SL4040881SC	8	113
HF0013050P0	6	95	SL4040881SC	10	113
HF0013050P0	12	96	SL4040881SC	12	113
HN001490000	4	87	SL4041081SC	4	48
HN001490000	8	22	SL4041081SC	10	49
HN004210000	4	88	SL4041281SC	4	84
HN004210000	8	46	SL4041281SC	10	85
HX00150000A	2	35	SL4042091SC	4	49
HX00150000A	8	35	SL4042091SC	10	50
HX00150000B	6	110	SL4051281SC	4	75
HX00150000B	12	111	SL4051281SC	10	76
HX00222000D	2	33	SM8040612TP	4	70
HX00222000D	8	33	SM8040612TP	10	71
HX00292000A	2	34	SV4030601SR	4	71
HX00292000A	8	34	SV4030601SR	10	72
HX00339000M	4	78	WP0430800SC	4	50
HX00339000M	10	79	WP0430800SC	10	51
HX005100000	6	102	WP0852086SC	6	99
HX005100000	12	103	WP0852086SC	12	100
KX000000260	2	32	WS0820002KR	6	100
KX000000260	8	32	WS0820002KR	12	101
KX000000320	2	31			
KX000000320	8	31			
M1013110000	6	113			
M1013110000	12	114			
M300451100A	6	94			
M300451100A	12	95			
M6102461DAA	6	103			
M6102461DAA	12	104			
M8002430000	4	85			
M8002430000	10	86			
MAO11532000	6	119			
MAO11532000	10	98			
MAO11532000	12	98			
NM6080002SC	6	101			
NM6080002SC	12	102			
SK3512001SE	4	118			
SK3512001SE	6	118			
SK3512001SE	10	93			
SK3512001SE	12	93			