

MODEL : AMS-224EN4530R

List No : 1693-00

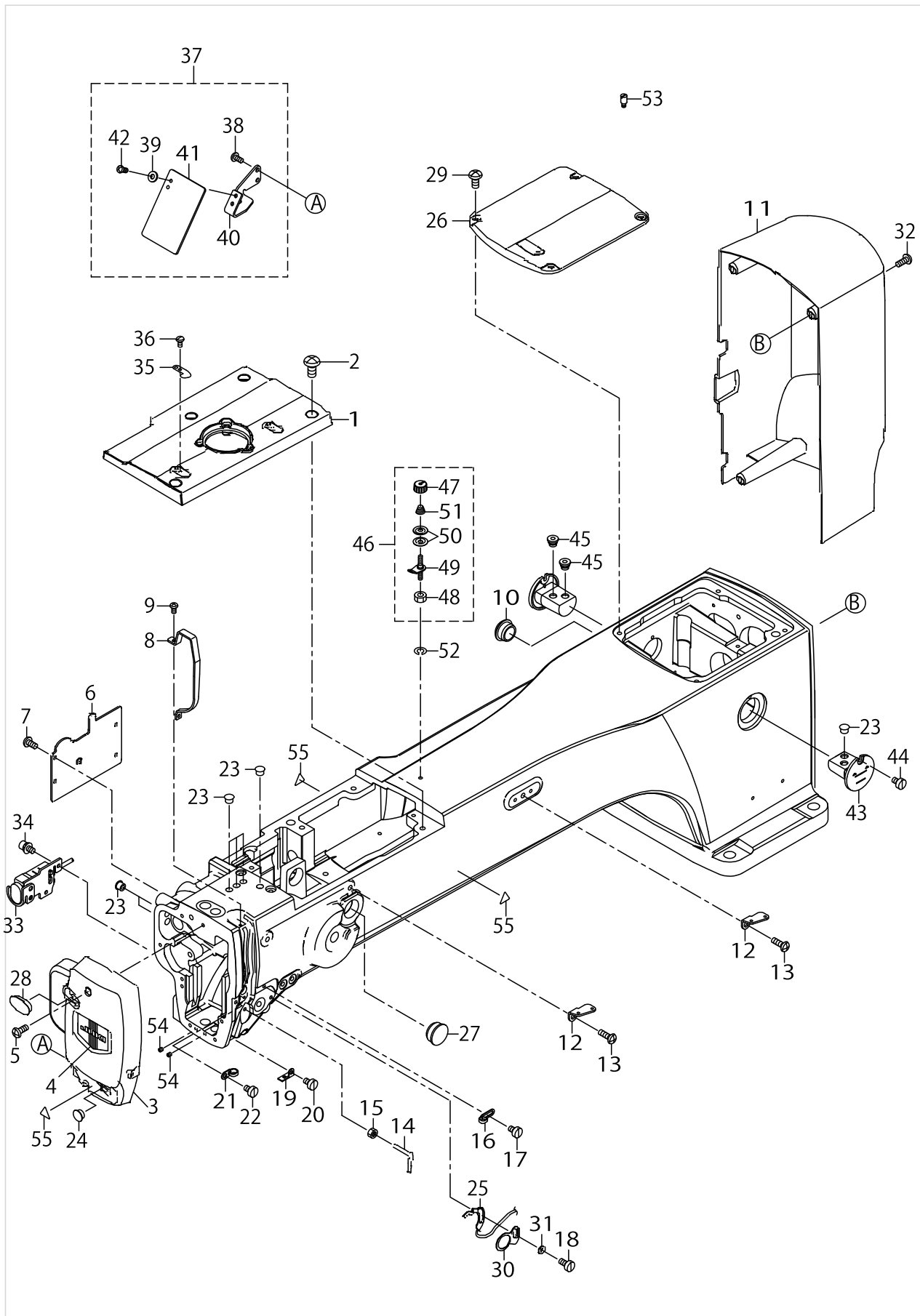
PARTS LIST

Published:09/10/2017

CONTENTS

FRAME & MISCELLANEOUS COVER COMPONENTS (1)	1
FRAME & MISCELLANEOUS COVER COMPONENTS (2)	5
FRAME & MISCELLANEOUS COVER COMPONENTS (3)	7
MAIN SHAFT & NEEDLE BAR COMPONENTS	13
PRESSER MECHANISM & PRESSER VARIABLE COMPONENTS (1)	17
PRESSER MECHANISM & PRESSER VARIABLE COMPONENTS (2)	21
LOWER SHAFT COMPONENTS (1)	25
LOWER SHAFT COMPONENTS (2)	27
WIPER MECHANISM COMPONENTS	31
TENSION RELEASE & THREAD TENSION COMPONENTS	33
THREAD TRIMMER MECHANISM COMPONENTS	35
X-Y COMPONENTS (1)	39
X-Y COMPONENTS (2)	45
CLOTH FEED MECHANISM COMPONENTS	47
PNEUMATIC COMPONENTS	51
THREAD STAND COMPONENTS	53
OPERATION PANEL COMPONENTS	55
CONTROL BOX COMPONENTS	57
WIRING DIAGRAM	61
TABLE COMPONENTS	65
PEDAL COMPONENTS	67
ACCESSORIE PARTS COMPONENTS	69
SEPARATE STROKE TYPE EXCLUSIVE PARTS	71
HOW TO MAKE USE OF THIS PARTS LIST	73

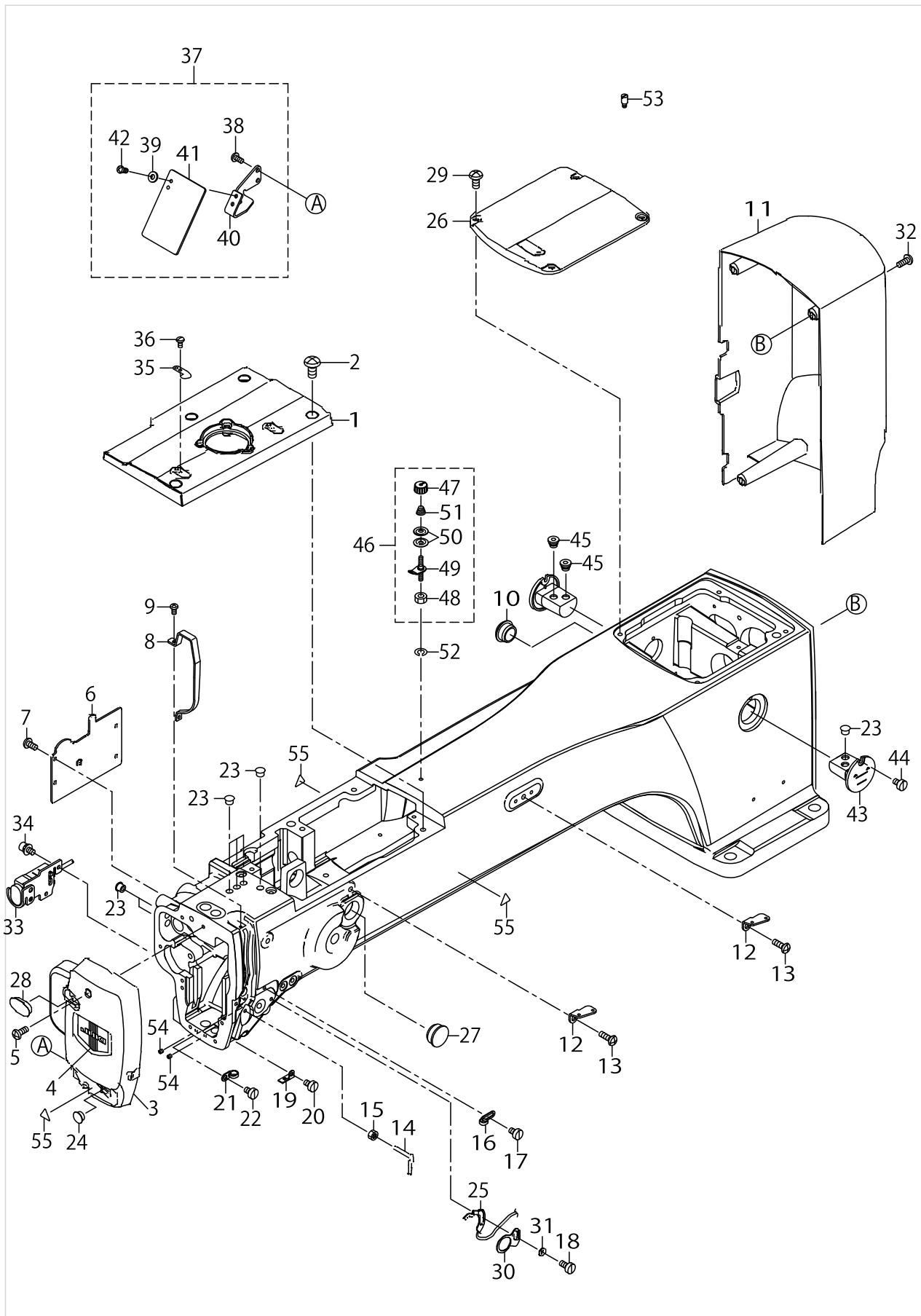
FRAME & MISCELLANEOUS COVER COMPONENTS (1)



FRAME & MISCELLANEOUS COVER COMPONENTS (1)

No.	Parts No.	Parts name	Remarks	Level	Cons	Qty
1	40032158	TOP_COVER_FRONT				1
2	SM4061255SP	SCREW M6 L=12				4
3	40026979	FACE_COVER				1
4	22902506	FACE PLATE				1
5	SM4041055SP	SCREW				2
6	40024999	PRESSER_COVER				1
7	SM4040855SP	SCREW				4
8	40030828	THREAD_TAKE_UP_LEVER_COVER				1
9	SM4030601SN	SCREW M3X6				2
10	TA2100904R0	RUBBER PLUG				1
11	40027971	MOTOR_COVER				1
12	26211904	THREAD GUIDE PLATE				2
13	SM4061255SP	SCREW M6 L=12				2
14	40025414	L_SHAPED_THREAD_GUIDE				1
15	NM6040000SN	NUT M4				1
16	22920508	ARM THREAD GUIDE A				1
17	SM6040650TP	SCREW				1
18	SM6040860TP	SCREW M4 L=8				1
19	B1129210000	FRAME THREAD GUIDE (B)				1
20	SM6040650TP	SCREW				1
21	13705108	TAKE-UP THREAD GUIDE B				1
22	SM6040650TP	SCREW				1
23	TA0850604R0	RUBBER PLUG				7
24	TA1050504R0	RUBBER PLUG				1
25	40073678	THB SENSOR CABLE ASM.				1
26	40032159	TOP_COVER_REAR				1
27	TA2351004R0	RUBBER PLUG				1
28	40028877	FACE_COVER_CAP				1
29	SM4051055SP	SCREW				4
30	40028834	GUIDE_PLATE				1
31	40028835	BUSHING				1
32	SM4041055SP	SCREW				4
33	40073676	STOP SW ASM				1
34	SL6040892TN	BOLT				2
35	10502300	THREAD CUTTER				1
36	SM4030601SN	SCREW M3X6				1
37	40006484	SAFETY PLATE COMPL.				1
38	SM4040855SP	SCREW		*		2
39	WP0450801SD	WASHER 4.5X10X0.8		*		2
40	40051987	SAFETY PLATE BASE		*		1
41	B3120372000	SAFETY PLATE		*		1
42	SM4040655SP	SCREW M4 L=6		*		2
43	40006836	OIL TANK ASM.				2
44	SM6040650TP	SCREW				2
45	40006840	RUBBER BUSH				2
46	14113468	BOBBIN THREAD TENSION ASM.				1
47	11072402	THREAD TENSION NUT		*		1

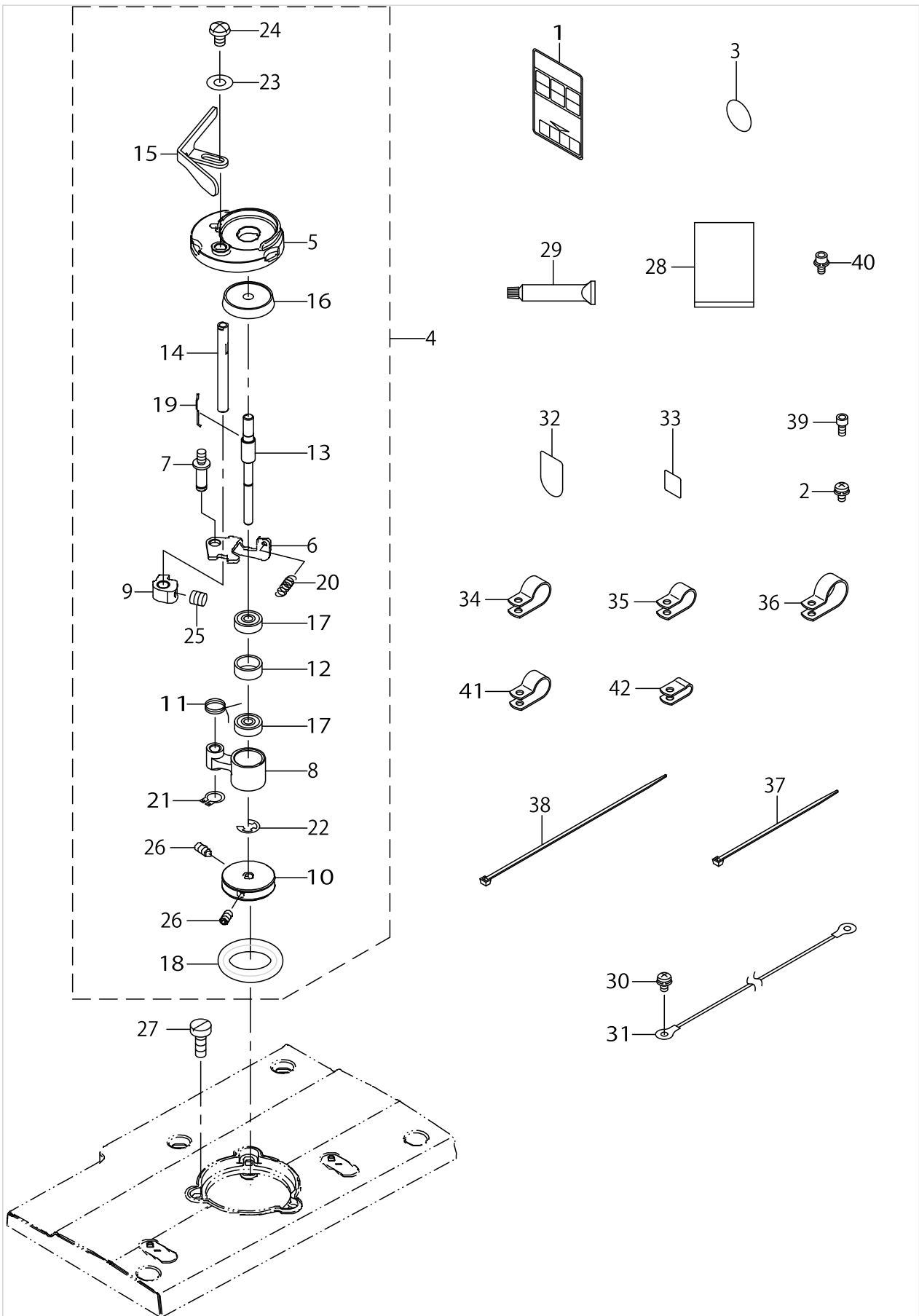
FRAME & MISCELLANEOUS COVER COMPONENTS (1)



FRAME & MISCELLANEOUS COVER COMPONENTS (1)

No.	Parts No.	Parts name	Remarks	Level	Cons	Qty
48	NS6110310SP	NUT 11/64-40		*		1
49	14113450	BOBBIN THREAD TENSION ROD ASM.		*		1
50	B3126012000	THREAD TENSION DISK		*		2
51	D7133555B00	CONNECTING ROD SPRING		*		1
52	WS0451040KP	SPRING WASHER 4.5X8.5X1				1
53	B1114280000	PIN				1
54	SM8040412TP	SET SCREW M4 L=4				2
55	CM300200001	ATTENTION SEAL				3

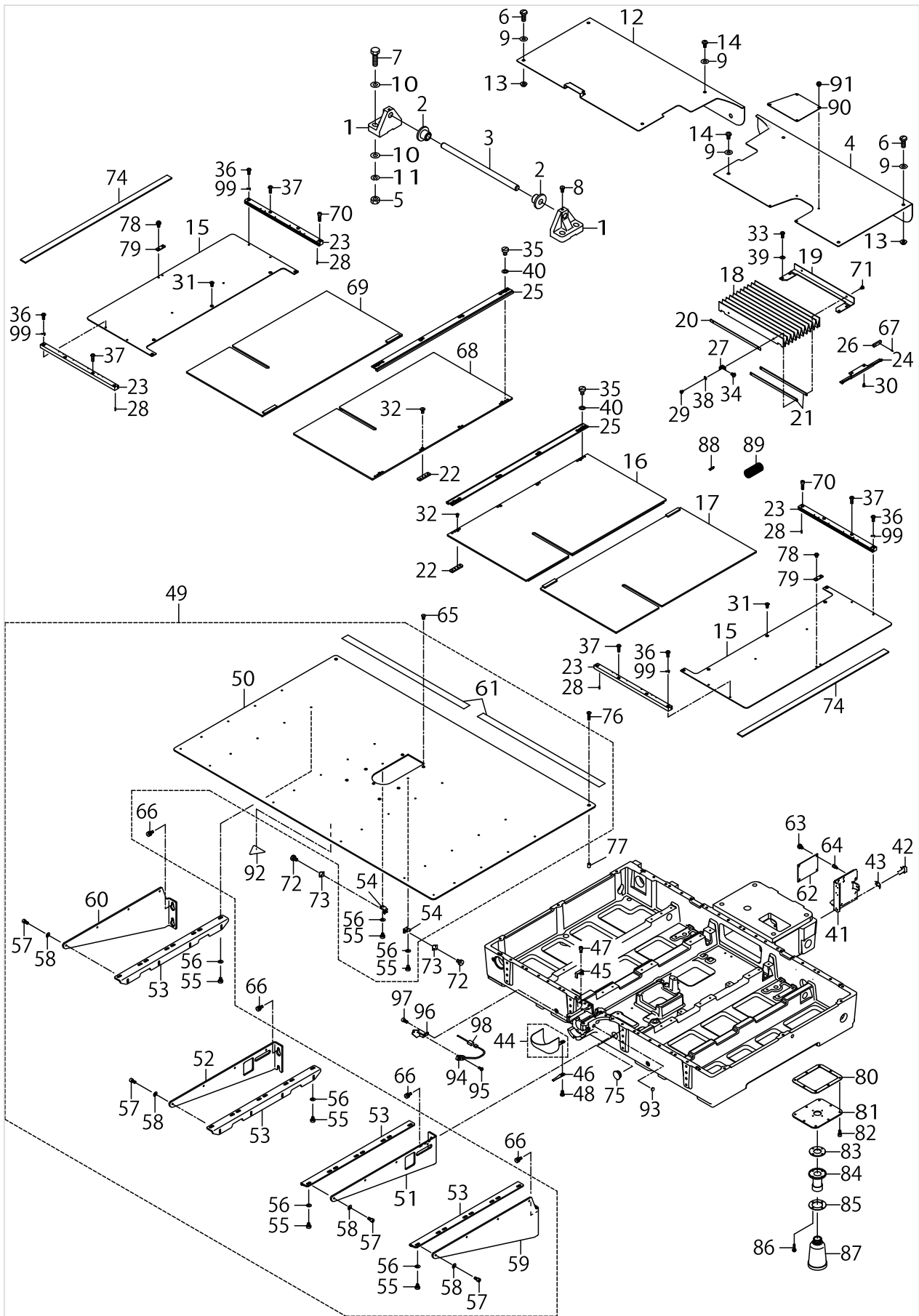
FRAME & MISCELLANEOUS COVER COMPONENTS (2)



FRAME & MISCELLANEOUS COVER COMPONENTS (2)

No.	Parts No.	Parts name	Remarks	Level	Cons	Qty
1	CM301200001	SAFETY LABEL_S				2
2	SL4040891SC	SCREW M4 L=8				12
3	22901805	GROUND MARK				1
4	40173311	BOBBIN_WINDER_UNIT_R				1
5	26260109	BTW_BASE		*		1
6	26260208	BTW_CAM_PLATE		*		1
7	26260307	BTW_BASE_SHAFT		*		1
8	26260406	BTW_SHAFT_BASE		*		1
9	26260505	BTW_CAM_LEVER		*		1
10	26260604	BTW_WHEEL		*		1
11	26260703	BTW_TORSION_SPRING		*		1
12	26260802	BTW_BEARING_SPACER		*		1
13	40173312	BTW_SHAFT_A		*		1
14	40023866	BTW_LEVER_SHAFT		*		1
15	40173314	BTW_LEVER		*		1
16	26261206	BTW_SPACER		*		1
17	26261305	BTW_BEARING		*		2
18	26261503	BTW_WHEEL_RUBBER		*	☆	1
19	26261602	BOBBIN_SPRING		*	☆	1
20	26261701	BTW_SPRING		*		1
21	RC0560711KP	RETAINING RING		*		1
22	RE0400000K0	E-RING 4		*		1
23	WP0450826SC	WASHER 4.5X10X0.8		*		1
24	SM5040655SN	SCREW		*		1
25	SM8050502TP	SCREW M5 L=5		*		1
26	SM8040802TP	SCREW M4X8		*		2
27	SM6041150TP	SCREW				3
28	40031336	FLAT_BAG				1
29	40013640	JUKI_GREASE_B_TUBE			☆	1
30	SL4040891SC	SCREW M4 L=8				1
31	14115554	HEAD GROUND CABLE A ASM.				1
32	CM100100001	OIL INJECTION PROHIBITION LABEL				1
33	CM600100101	WEEE MARK LABEL S	FOR JE			1
34	HX00150000F	CABLE CLIP				4
35	HX00150000D	CABLE CLIP				8
36	HX00150000H	CABLE CLIP				3
37	EA9500B0100	CABLE BAND				5
38	EA9500B0200	CABLE BAND 150				5
39	SM6040802TP	SCREW M4X0.7 L=8				5
40	SL6040892TN	BOLT				3
41	HX00150000E	CORD PRESSER 3-POLE (220/240V)				2
42	HX00150000A	CABLE CLAMP				1

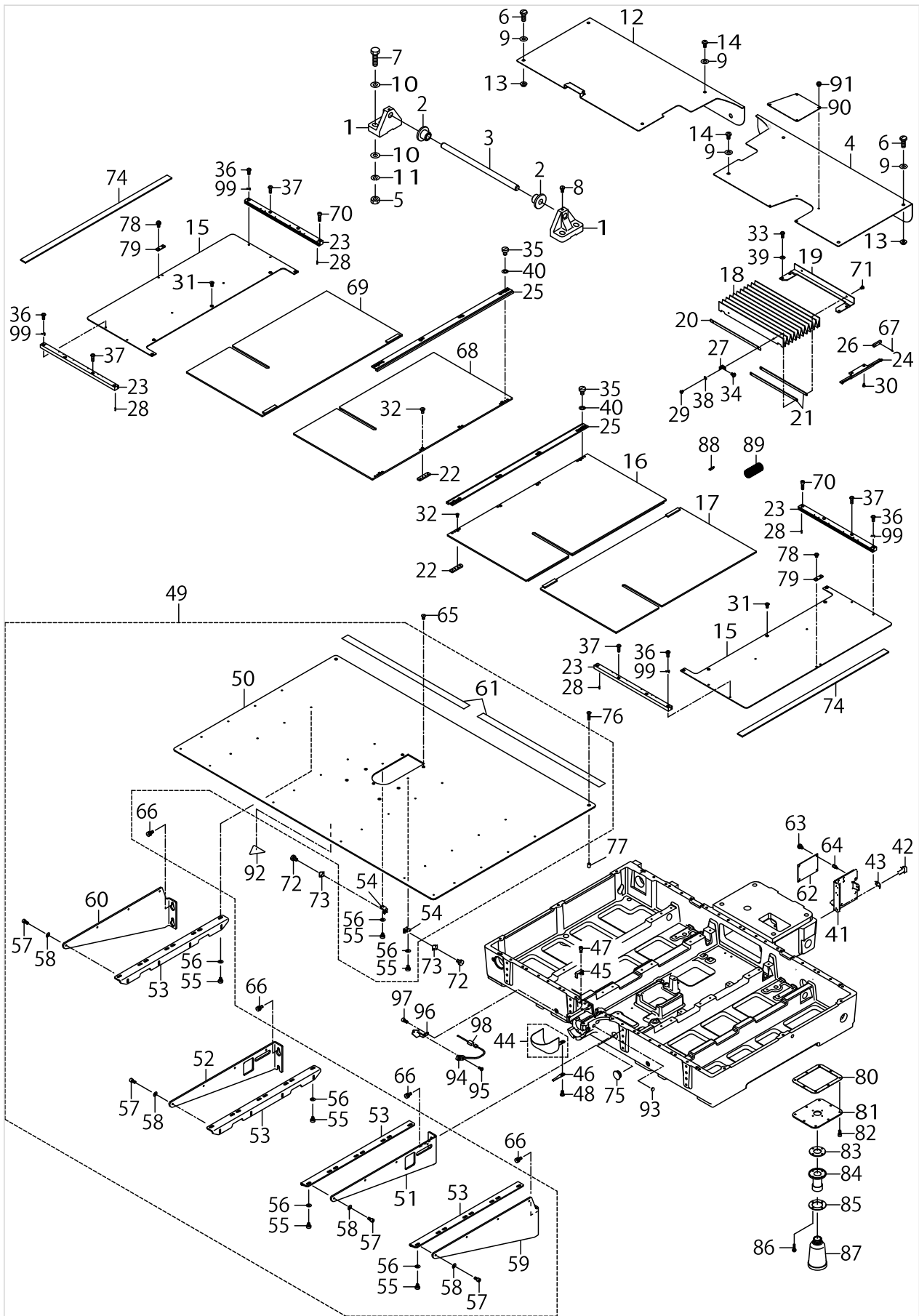
FRAME & MISCELLANEOUS COVER COMPONENTS (3)



FRAME & MISCELLANEOUS COVER COMPONENTS (3)

No.	Parts No.	Parts name	Remarks	Level	Cons	Qty
1	B111122000A	BED HINGE				2
2	B1115220000	RUBBER PAD A				2
3	B1120223C00	HING SHAFT				1
4	40090785	BED COVER RIGHT A				1
5	NM6120011SF	NUT M12				4
6	SM4055001SF	SCREW M5 L=50				4
7	SM9124503SB	SCREW M12 L=45				4
8	SS9151240SN	SCREW 15/64-28 L=11.5				2
9	WP0561616SC	WASHER 5.6X16X1.6				8
10	WP1302501SE	WASHER M12				8
11	WS1253010KN	SPRING WASHER 12.5X21.5X3				4
12	40072074	BED COVER LEFT				1
13	NM3050610SF	NUT				4
14	SM4051001SN	SCREW M5				4
15	40072076	FEED BASE COVER 4530				2
16	40072191	X_FEED_UPPER_COVER_R_ASM_4530				2
17	40072184	X_FEED_LOWER_COVER_R_ASM_4530				2
18	40072174	FEED COVER				1
19	40072081	FEED COVER STAY				1
20	40072079	FEED COVER FIX PLATE A				1
21	40072080	FEED COVER FIX PLATE B				2
22	40072195	FEED_COVER_RAIL_STOPPER_PLATE				8
23	40072143	FEED BASE SUPPORT COVER RAIL X				8
24	B1182223C00	RAIL GUIDE				2
25	40072078	FEED BASE SUPPORT COVER RAIL Y				2
26	B1193223C00	GUIDE RAIL CLICK				4
27	B1157215000	MOVEMENT COVER PLATE				2
28	PS0250062KH	SPRING PIN 2.5X6				8
29	SM4030401SC	SCREW M3X0.5 L=4				2
30	SM1040870TP	SCREW				4
31	SM1040801SP	SCREW M4X0.7 L=8				10
32	SM1030601SP	SCREW M3 L=6				8
33	SM4041055SP	SCREW				4
34	SM4040655SP	SCREW M4 L=6				2
35	SM6040650TP	SCREW				8
36	SM4041001SC	SCREW M4X0.7 L=10				10
37	SM4041401SC	SCREW M4X0.7 L=14				20
38	WP0330501SB	WASHER M3				2
39	WP0450801SD	WASHER 4.5X10X0.8				4
40	WP0450000SD	WASHER 4.5X8X0.5				8
41	40024997	LIFTER_BASE				1
42	SM6061202TP	SCREW M6 L=12				2
43	WP0641601SC	WASHER				2
44	40142674	CYLINDER_ARM_CAP_ASM.				1
45	40176021	CABLE_STAY				1
46	26221200	HOOK COVER PRESSER SPRING B				1
47	SM6040860TP	SCREW M4 L=8				1

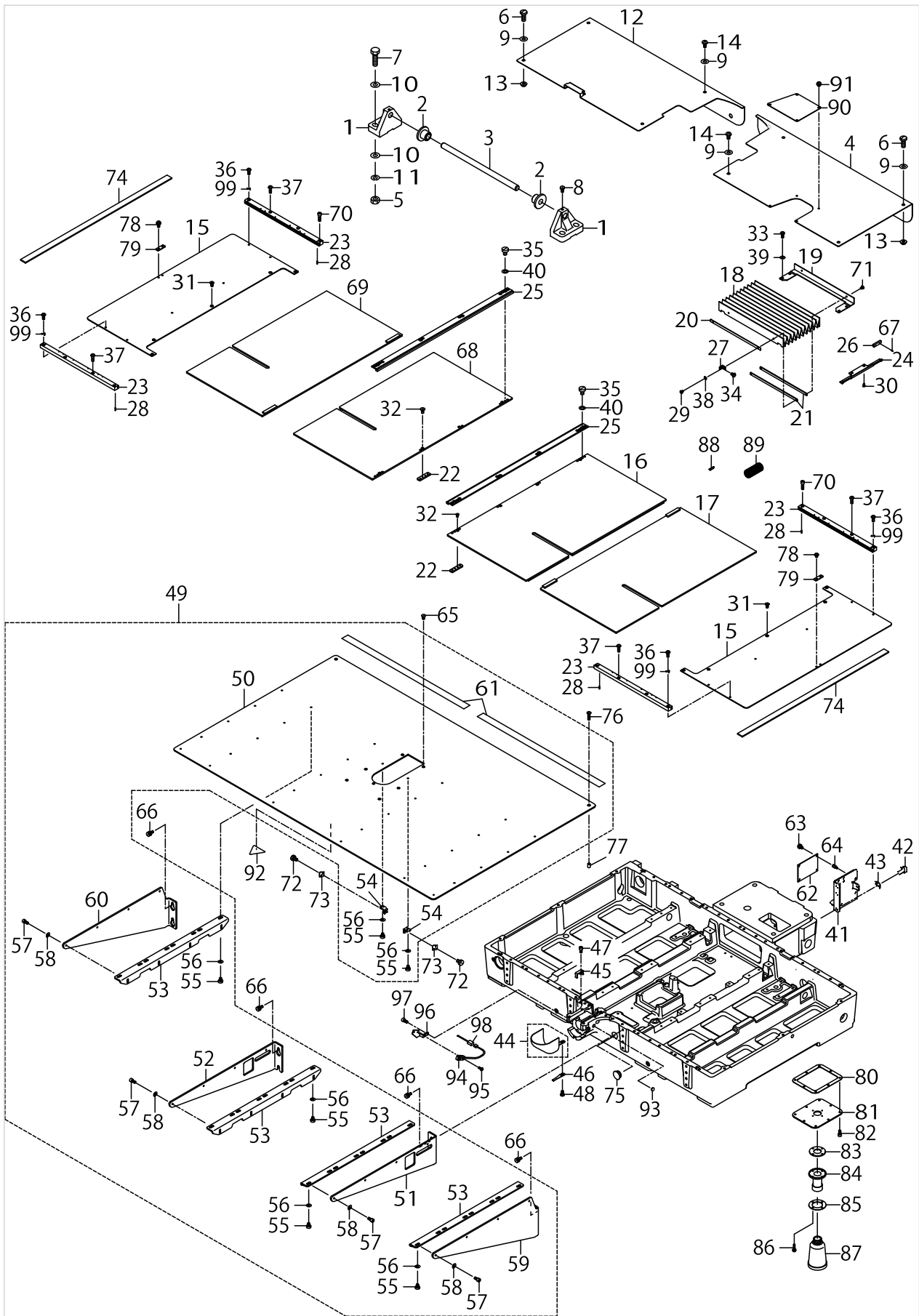
FRAME & MISCELLANEOUS COVER COMPONENTS (3)



FRAME & MISCELLANEOUS COVER COMPONENTS (3)

No.	Parts No.	Parts name	Remarks	Level	Cons	Qty
48	SL4041091SC	SCREW M4 L=10				1
49	40072244	NEEDLE PLATE SUPPORT COVER ASM				1
50	40101763	SUS_NEEDLE_SUPPORT_PLATE_4530		*		1
51	40072176	COVER_SUPPORT_A_RIGHT		*		2
52	40072175	COVER_SUPPORT_A_LEFT		*		2
53	40072179	COVER_SUPPORT_BRACKET		*		6
54	40025014	COVER_SUPPORT_B		*		2
55	SM6450610TP	SCREW		*		32
56	WP0450801SP	WASHER		*		32
57	SM6040802TP	SCREW M4X0.7 L=8		*		24
58	WP0450801SP	WASHER		*		24
59	40072178	COVER_SUPPORT_B_RIGHT		*		1
60	40072177	COVER_SUPPORT_B_LEFT		*		1
61	40051501	TAPE		*		2
62	40040230	INT PCB ASM				1
63	SL4040891SC	SCREW M4 L=8				4
64	HX003390000	STUD				4
65	SM1040870TP	SCREW				2
66	SL9061600SF	SCREW				12
67	PS0150065KP	SPRING PIN 1.5X6				8
68	40072193	X_FEED_UPPER_COVER_L_ASM_4530				1
69	40072186	X_FEED_LOWER_COVER_L_ASM_4530				1
70	SM6041402TN	SCREW M4X0.7 L=14				2
71	SM7030450SC	SCREW M3X0.5 L=4				2
72	SM6050802TP	SCREW M5X0.8 L=8				2
73	WP0520656SA	WASHER 5.2X9.5X0.6				2
74	G611387500A	CLOTH PRESSER SPONGE A				1
75	TA2100904R0	RUBBER PLUG				1
76	SM1041601SC	SCREW M4X0.7 L=16				2
77	12209706	COLLAR				2
78	SL4041091SC	SCREW M4 L=10				4
79	40072214	FEED COVER STOPPER				2
80	40072213	OIL_PAN_GASKET				1
81	40072212	OIL_PAN				1
82	SM6040802TP	SCREW M4X0.7 L=8				8
83	B8112220000	OIL SEAL				1
84	B8202205000	OIL MANAGEMENT				1
85	B8111220000	WASHER				1
86	SL4031481SC	SCREW M3X14				4
87	B9121012000	OIL CAN				1
88	40082017	X_FEED_LOWER_COVER_STOPPER_G				4
89	HX00307000D	CABLE PARTS				0.05
90	40090432	BED COVER RIGHT B				1
91	SL4040691SC	SCREW M4 L=6				4
92	40058949	BINDER_CAUTION_LABEL_M				1
93	TA0750404R0	PLUG D=7.5 L=3.5				1
94	40141483	COVER SENSOR ASSY				1

FRAME & MISCELLANEOUS COVER COMPONENTS (3)



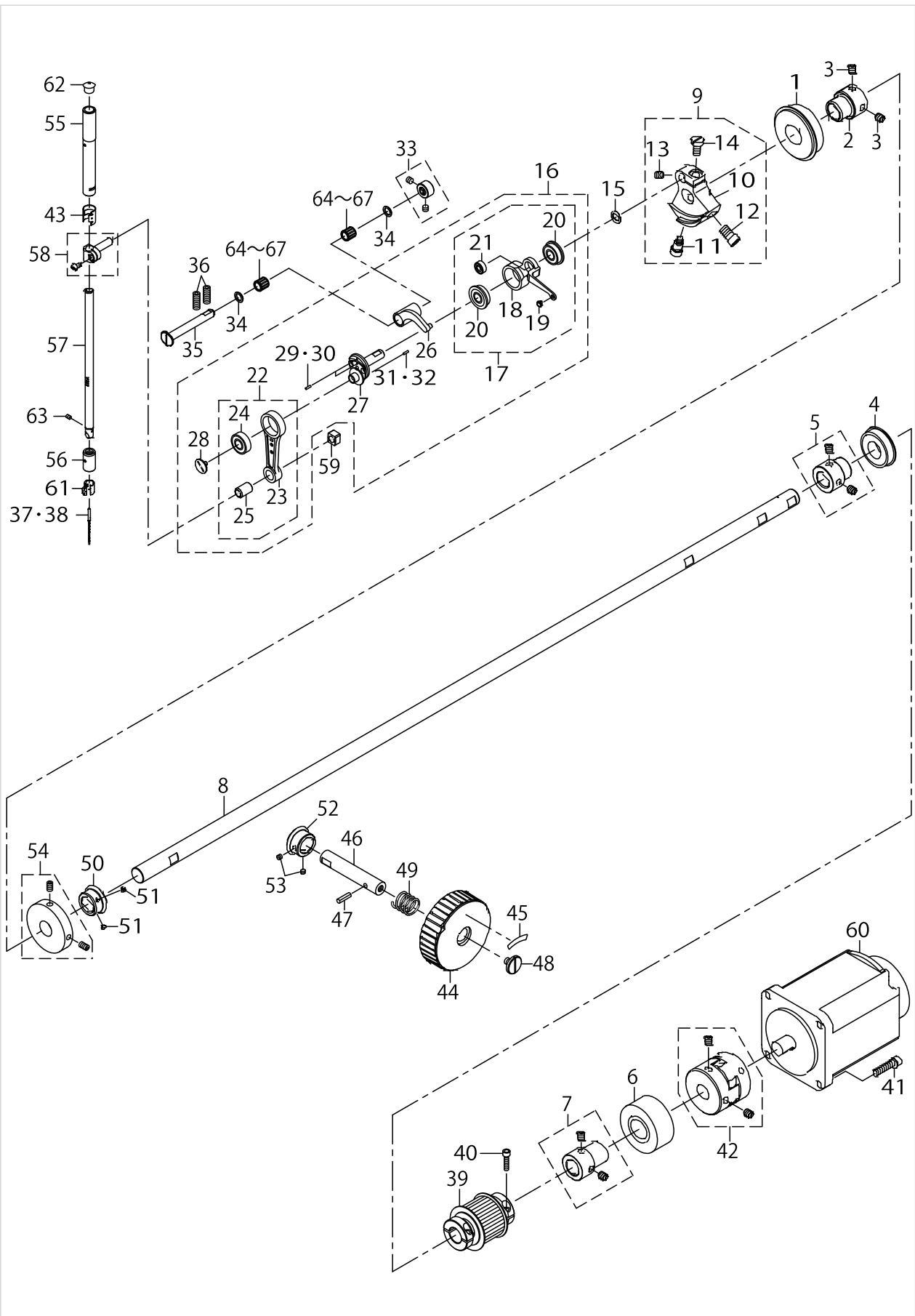
FRAME & MISCELLANEOUS COVER COMPONENTS (3)

No.	Parts No.	Parts name	Remarks	Level	Cons	Qty
95	SM4030801SC	SCREW M3X0.5 L=8				1
96	40173310	HOOK_COVER_SENSOR_BRACKET				1
97	SM6040802TP	SCREW M4X0.7 L=8				2
98	40174539	SHUTTLE COVER SENSOR CABLE ASM				1
99	WP0450846SP	WASHER				8

MAIN SHAFT & NEEDLE BAR COMPONENTS

No.	Parts No.	Parts name	Remarks	Level	Cons	Qty
1	SB12000900	BEARING				1
2	23604200	MAIN SHAFT BEARING SUPPORT				1
3	SM8060812TP	SCREW M6 L=8				2
4	SB120001800	BEARING				1
5	40010415	BEARING_BUSH_A_ASM.				1
6	SB120001700	BEARING				1
7	40010418	BEARING_BUSH_B_ASM.				1
8	40072086	MAIN SHAFT				1
9	40010422	COUNTER_WEIGHT_ASM.				1
10	40010423	COUNTER_WEIGHT		*		1
11	40010424	COUNTER_WEIGHT_SCREW_A		*		1
12	40010425	COUNTER_WEIGHT_SCREW_B		*		1
13	40010426	COUNTER_WEIGHT_SCREW_C		*		1
14	40010427	COUNTER_WEIGHT_SCREW_D		*		1
15	WP0820516SP	WASHER 11.6X8.2X0.6				1
16	40173315	THREAD_TAKE_UP_COMPL_R				1
17	40173316	THREAD_TAKE_UP_LEVER_ASM_R		*		1
18	40173317	THREAD_TAKE_UP_LEVER		*		1
19	B1908505000	THREAD PASS BUSH		*		1
20	SB108002200	BEARING		*		2
21	SB104001600	BEARING		*		1
22	40078106	NEEDLE_BAR_CRANK_ROD_ALL_ASM		*		1
23	40078088	NEEDLE_BAR_CRANK_ROD		*		1
24	SB108002300	BEARING		*		1
25	22891006	NEEDLE BAR CRANK ROD BUSH		*		1
26	40173318	THREAD_TAKE_UP_CRANK		*		1
27	40078083	NEEDLE_ROD_CRANK		*		1
28	B1903552000	LEFT SCREW		*		1
29	40078135	PIN	SELECTIVE PARTS	*		1
30	40096186	PIN	SELECTIVE PARTS	*		1
31	B1705850000	STOPPER PIN	SELECTIVE PARTS	*		1
32	40096209	PIN	SELECTIVE PARTS	*		1
33	40010434	THRUST_COLLAR_ASM.				1
34	22891204	BEARING SUPPORT				2
35	40078079	THREAD_TAKE_UP_CRANK_SHAFT				1
36	SM8061612TP	SCREW M6X16				2
37	MDP170B2300	NEEDLE DPX17 #23	TYPE H(FOR ST)		☆	1
38	MC372001600	NEEDLE SY3355 160	TYPE H(FOR JE)		☆	1
39	40072233	SPROCKET_ASM				1
40	SM6041602TP	SCREW M4X0.7 L=16				4
41	SL6052592TN	BOLT				4
42	40051473	COUPLING ASM.				1
43	40078160	NEEDLE_ROD_METAL_GREASE_COVER				1
44	B1212210D00	PULLEY				1
45	B1144210000	REVOLVING DIRECTION LABEL				1
46	40044053	PULLEY SHAFT				1
47	PS0400142KH	SPRING PIN 4X14				1

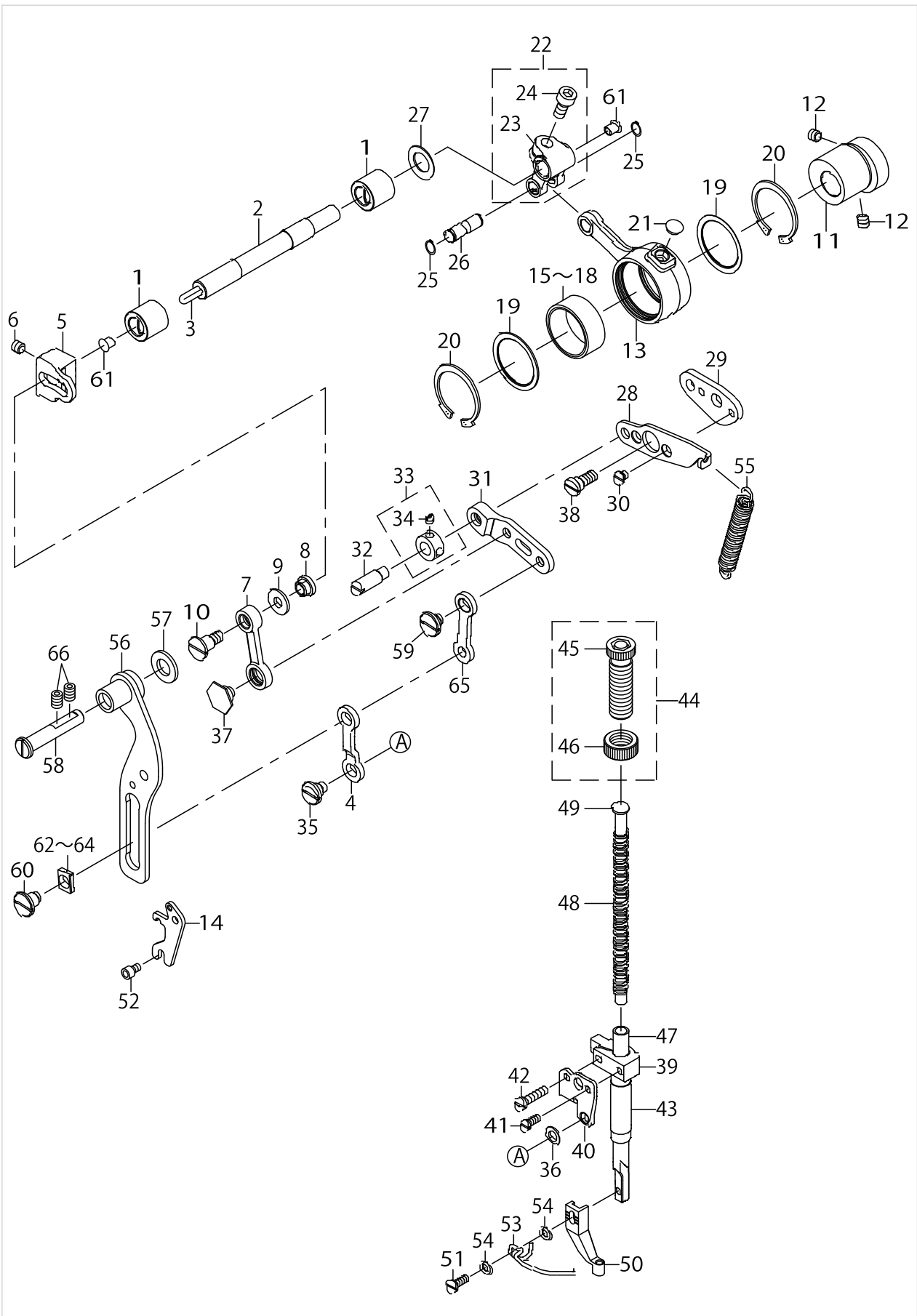
MAIN SHAFT & NEEDLE BAR COMPONENTS



MAIN SHAFT & NEEDLE BAR COMPONENTS

No.	Parts No.	Parts name	Remarks	Level	Cons	Qty
48	A1230500000A	HANDWHEEL SETSCREW				1
49	GAF01007000	SPRING				1
50	40006515	GEAR_A				1
51	SM8040310SS	SCREW M4 L=3				2
52	40006516	GEAR_B				1
53	SM8040310SS	SCREW M4 L=3				2
54	40010533	BTW_DRIVING_WHEEL_ASM.				1
55	40077604	NEEDLE_ROD_METAL				1
56	40077605	NEEDLE_ROD_LOWER_METAL				1
57	40026882	NEEDLE_BAR				1
58	B14115520A0	NEEDLE BAR CONNECTING ASM.				1
59	B1414555000	SLIDE BLOCK				1
60	40052937	550W_SERVO_MOTOR				1
61	40026884	NEEDLE_BAR_SHREAD_GUIDE_H	TYPE H			1
62	22901409	NEEDLE BAR UPPER BUSH CAP				1
63	SM8030412TP	SCREW				1
64	SB30700020A	BEARING	SELECTIVE PARTS			2
65	SB30700020B	BEARING	SELECTIVE PARTS			2
66	SB30700020C	BEARING	SELECTIVE PARTS			2
67	SB30700020D	BEARING	SELECTIVE PARTS			2

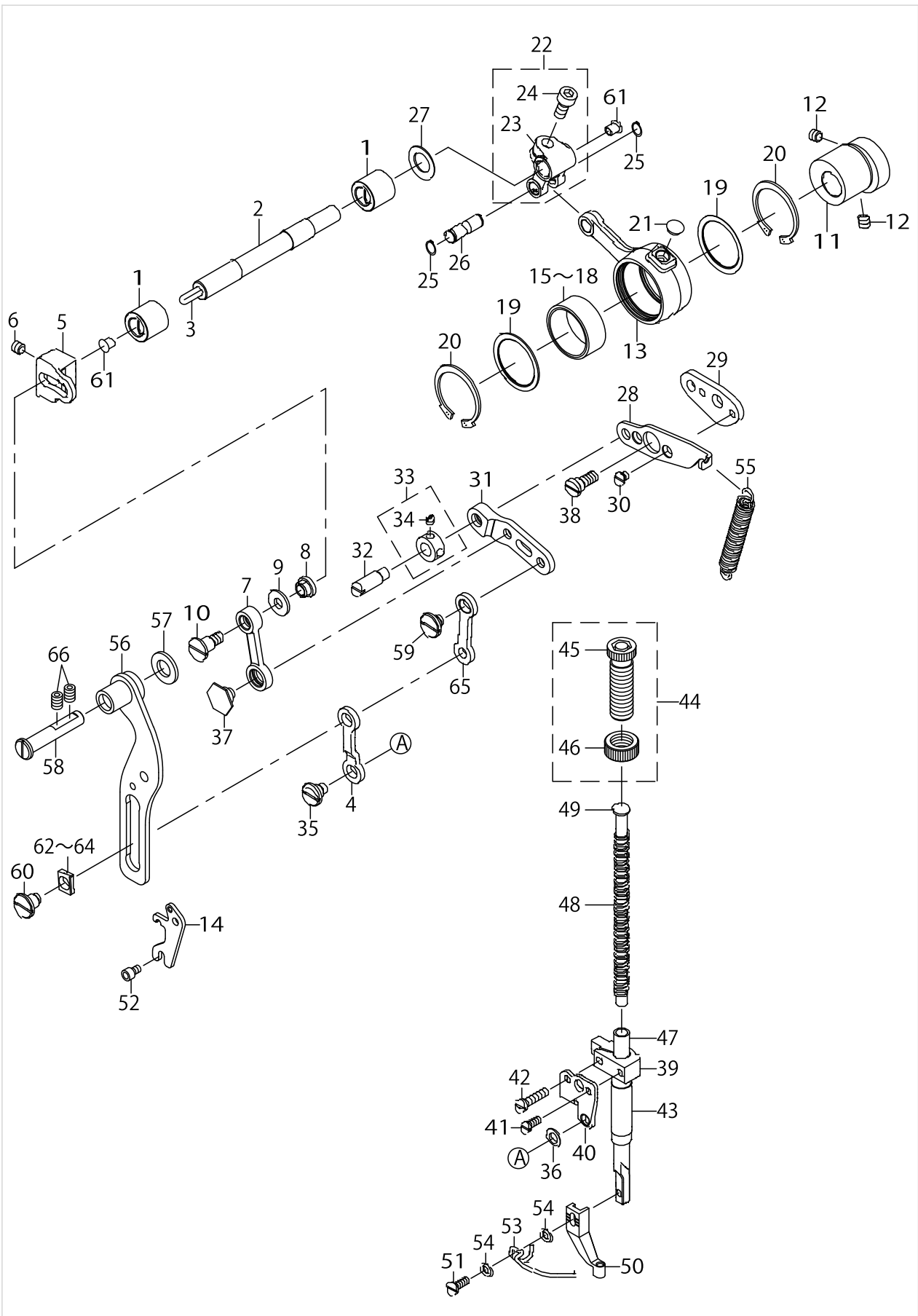
PRESSER MECHANISM & PRESSER VARIABLE COMPONENTS (1)



PRESSER MECHANISM & PRESSER VARIABLE COMPONENTS (1)

No.	Parts No.	Parts name	Remarks	Level	Cons	Qty
1	40025431	BUSHING				2
2	40025427	INTERMEDIATE_PRESSER_SHAFT				1
3	CQ303000000	OIL WICK				0.18
4	40030617	INTERMEDIATE_PRESSER_LINK_D				1
5	40025012	ADJUSTING_ARM				1
6	SM8060812TP	SCREW M6 L=8				1
7	40068835	INTERMEDIATE_PRESSURE_LINK				1
8	40025415	ADJUSTING_NUT				1
9	WP0611626SP	WASHER 15X6X1.6				1
10	SD0800746TP	SHOULDER SCREW				1
11	40025428	ECCENTRIC_CAM				1
12	SM8060812TP	SCREW M6 L=8				2
13	40025011	CRANK_CONNECTING_ROD				1
14	40068833	POSITIONING_LINK_SPRING_HOOK				1
15	B1636581A00	NEEDLE BEARING	SELECTIVE PARTS			1
16	B1636581B00	NEEDLE BEARING B	SELECTIVE PARTS			1
17	B1636581C00	NEEDLE BEARING	SELECTIVE PARTS			1
18	B1636581D00	NEEDLE BEARING	SELECTIVE PARTS			1
19	40012965	BEARING_SUPPORT_PLATE				2
20	RC3781518KP	RETAINING RING				2
21	TA0750404R0	PLUG D=7.5 L=3.5				1
22	13122452	FEED BRANCH CRANK ASM.				1
23	13122403	FEED BRANCH CRANK		*		1
24	SM6061402TP	SCREW M6 L=14		*		1
25	RC0650811KP	RETAINING RING				2
26	40025429	ROD_CONNECTING_SHAFT				1
27	WP1221016SP	WASHER				1
28	40068834	POSITIONING_LINK				1
29	40024988	POSITIONING_LINK_B				1
30	SS1110640TP	SCREW 11/64-40 L=5.5				2
31	40030620	INTERMEDIATE_PRESSER_LINK_B				1
32	B1408180000	HINGE SCREW				1
33	CS079073ASH	THRUST COLLAR ASM.				1
34	SS8110410TP	SCREW 11/64-40 L=3.5		*		2
35	SD0800386TP	SHOULDER SCREW D=8 H=3.75				1
36	40029419	LINK_CONNECTING_PLATE_WASHER				1
37	SD1000506TP	SHOULDER SCREW D=10 H=4.95				1
38	SD0800408TP	SHOULDER SCREW				1
39	23610108	PRESSER BAR GUIDE BRACKET				1
40	40024991	LINK_CONNECTING_PLATE				1
41	SS6090910SP	SCREW 9/64-40 L=9				1
42	SS7111810TP	SCREW 11/64-40 L=18				1
43	40078133	PRESSER_BUSHING				1
44	22907554	PRESSER SPRING REG NUT ASM.				1
45	22907505	PRESSER SPRING REGULATOR		*		1
46	22907604	PRESSER SPRING REGULATOR NUT		*		1
47	40030623	INTERMEDIATE_PRESSER_BAR				1

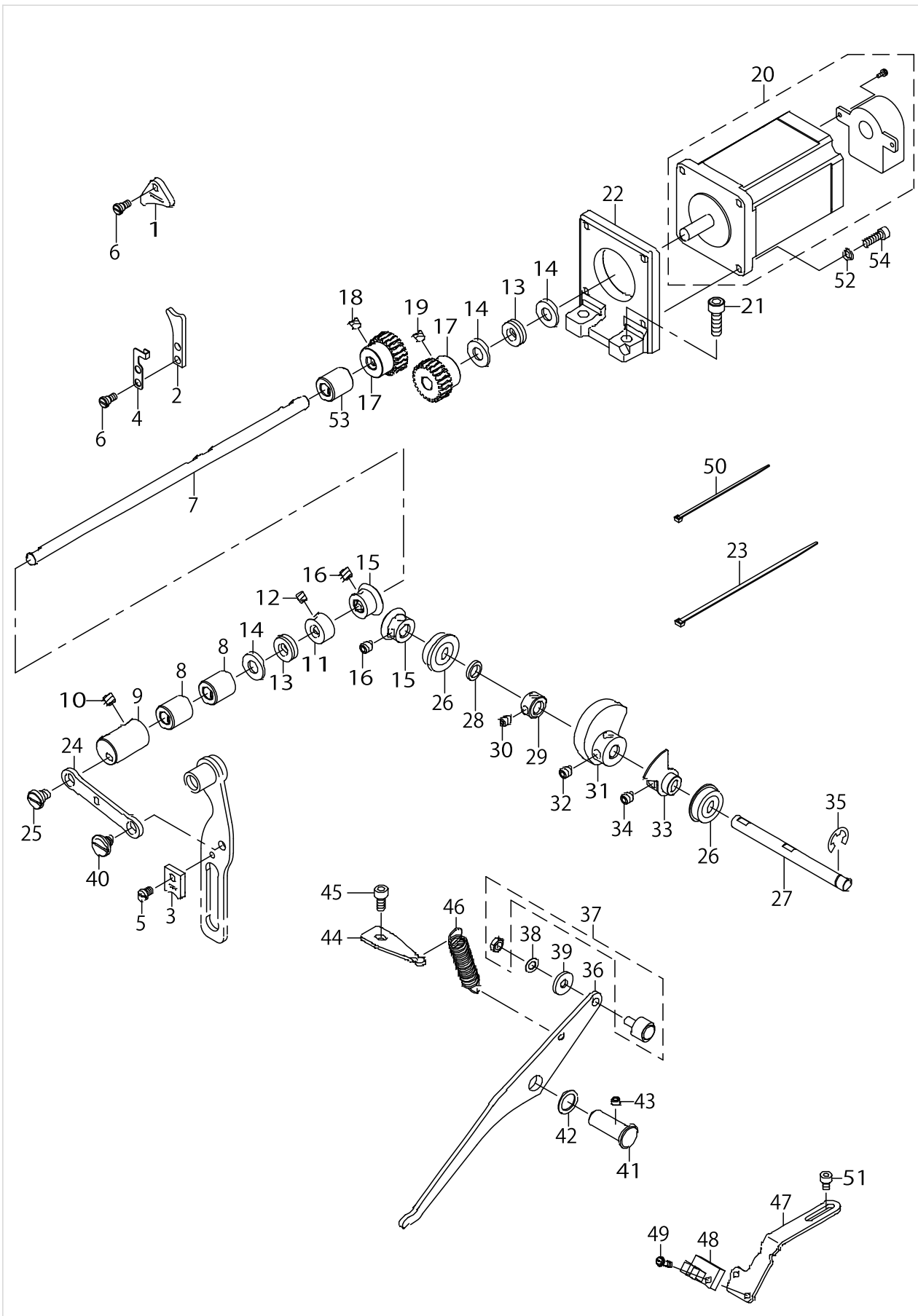
PRESSER MECHANISM & PRESSER VARIABLE COMPONENTS (1)



PRESSER MECHANISM & PRESSER VARIABLE COMPONENTS (1)

No.	Parts No.	Parts name	Remarks	Level	Cons	Qty
48	B161121000A	INNER PRESSER SPRING				1
49	40023631	PRESSER GUIDE BAR				1
50	B1601210D0C	INTERMEDIATE PRESSER C			☆	1
51	SM7751160TP	SCREW				1
52	SM6040602TP	SCREW M4 L=6				2
53	B1634210D00	FINGER GUARD				1
54	WP0430800SC	WASHER M4				2
55	40030621	INTERMEDIATE_PRESSER_SPRING B				1
56	40077925	PRESSURE_VARIABLE_PLATE_ASM.				1
57	40078113	COLLAR				1
58	40023624	THREAD_TRIMMER_SHAFT				1
59	SD0800336TP	SHOULDER SCREW				1
60	SD0800656TP	SHOULDER SCREW				1
61	TA0550604R0	RUBBER PLUG				2
62	40030628	SLIDE_BLOCK_A	SELECTIVE PARTS			1
63	40030629	SLIDE_BLOCK_B	SELECTIVE PARTS			1
64	40030630	SLIDE_BLOCK_C	SELECTIVE PARTS			1
65	40030616	INTERMEDIATE_PRESSER_LINK_C				1
66	SM8060812TP	SCREW M6 L=8				2

PRESSER MECHANISM & PRESSER VARIABLE COMPONENTS (2)



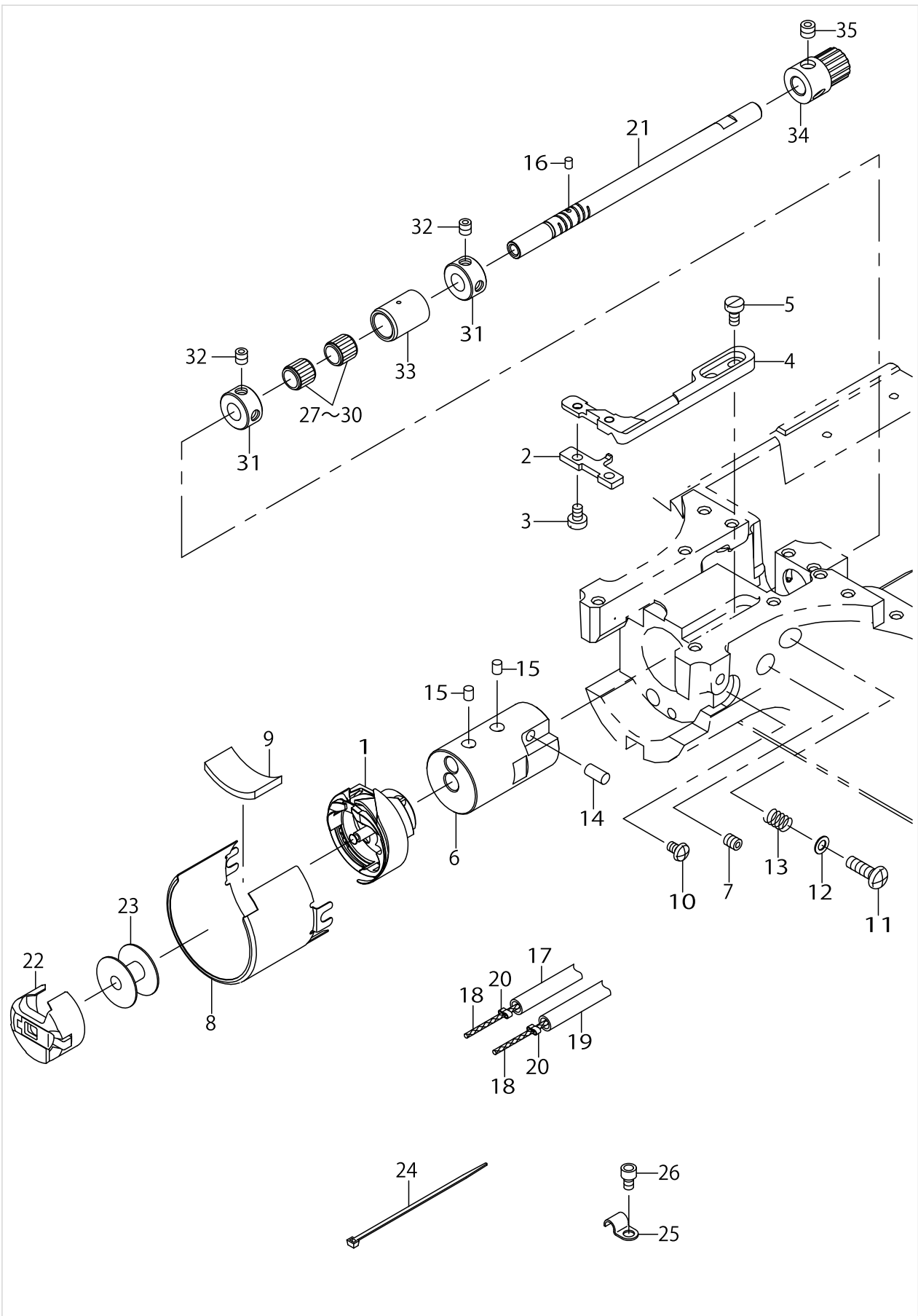
PRESSER MECHANISM & PRESSER VARIABLE COMPONENTS (2)

No.	Parts No.	Parts name	Remarks	Level	Cons	Qty
1	40030625	FACE_FELT_A				1
2	40030626	FACE_FELT_B				1
3	40030627	FACE_FELT_C				1
4	40026817	FACE_FELT_B_SUPPORT				1
5	40029420	FELT_SCREW_C				1
6	40032483	FELT_SCREW_AB				3
7	40032179	PRESSER_VARIABLE_SHAFT				1
8	40025423	BUSHING B				2
9	40026819	PRESSER_VARIABLE_ARM				1
10	SM8480652TP	SCREW				2
11	CS0800881TP	THRUST COLLAR				1
12	SM8050412TP	SCREW M5 L=4				2
13	SB408000100	BEARING				2
14	WP0850002SP	WASHER 8.5X18X1.6				3
15	40030615	PRESSER_LIFT_GEAR				2
16	SM8060812TP	SCREW M6 L=8				4
17	40032180	PRESSER_MOTOR_GEAR_A				2
18	SM8060812TP	SCREW M6 L=8				2
19	SM8060602TP	SCREW M6X6				2
20	40103969	ENCODER MOTOR ASM.(IP)				1
21	SM6061802TP	SCREW M6 L=18				2
22	40032181	PRESSER_MOTOR_BRACKET				1
23	EA9500B0200	CABLE BAND 150				2
24	40024989	PRESSER_VARIABLE_LINK				1
25	SD0800337TP	SHOULDER SCREW				1
26	SB108000500	RADIAL BEARING				2
27	40025426	PRESSER_LIFT_SHAFT				1
28	WZ0850302K0	WAVED WASHER 8.5X12.5X0.3				1
29	CS0800881TP	THRUST COLLAR				1
30	SM8050412TP	SCREW M5 L=4				2
31	40025016	LIFTING_CAM				1
32	SM8060812TP	SCREW M6 L=8				2
33	40025418	SENSOR_SLIT_ASM				1
34	SM8060812TP	SCREW M6 L=8				2
35	RE0700000K0	E-RING 7				1
36	40025030	LIFTING_LINK				1
37	40027870	CAM FOLLOWER				1
38	WP0520656SA	WASHER 5.2X9.5X0.6				1
39	WP0522016SH	WASHER				1
40	SD0800387TP	SHOULDER SCREW D=8 H=3.75				1
41	B1641562000	FEED REGULATING ARM SHAFT				1
42	26226001	WASHER				1
43	SM8050412TP	SCREW M5 L=4				1
44	40025420	LIFTER_LINK_SPRING_HOOK				1
45	SM6050802TP	SCREW M5X0.8 L=8				1
46	40003970	TENSION RELEASE RETURN				1
47	40025419	SENSOR_INSTALLING_BASE				1

PRESSER MECHANISM & PRESSER VARIABLE COMPONENTS (2)

No.	Parts No.	Parts name	Remarks	Level	Cons	Qty
48	HD00057000A	PHOTO SENSOR				1
49	SL4031091SC	SCREW M3 X 10				1
50	EA9500B0100	CABLE BAND				2
51	SM6040602TP	SCREW M4 L=6				2
52	WP0450846SP	WASHER				4
53	40043321	BUSHING_C				1
54	SM6041402TP	SCREW M4 L=14				4

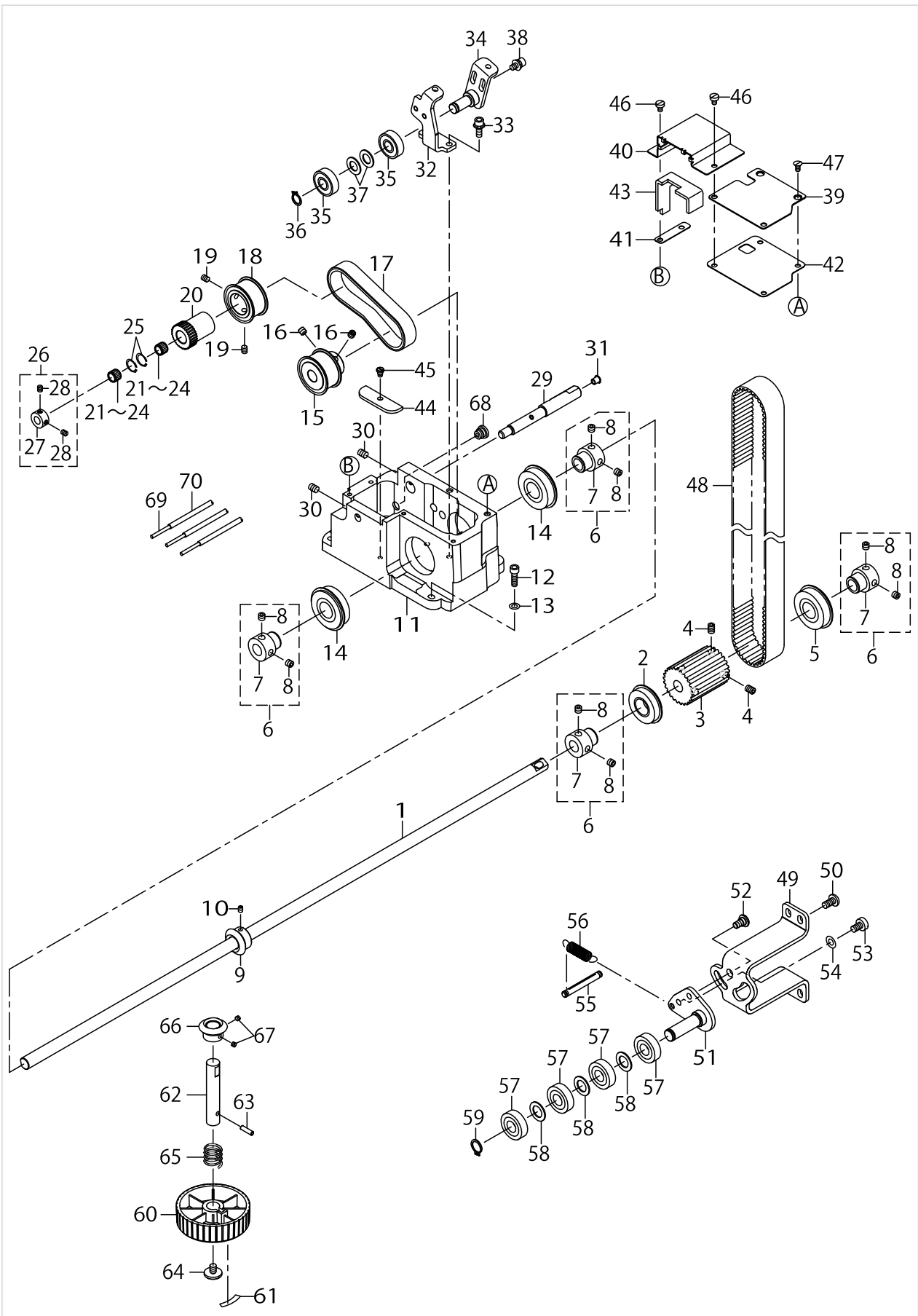
LOWER SHAFT COMPONENTS (1)



LOWER SHAFT COMPONENTS (1)

No.	Parts No.	Parts name	Remarks	Level	Cons	Qty
1	D1830141EA0	HOOK ASM. (KHS20-RMPN)			☆	1
2	40135366	INNER HOOK STOPPER				1
3	SM6450610TP	SCREW				2
4	40173319	INNER_HOOK_STOPPER_BASE				1
5	SM6040800SP	SCREW				2
6	40173341	HOOK_SHAFT_METAL				1
7	SM8050612TP	SCREW M5X6				1
8	40173344	HOOK OIL PREVENTION PLATE				1
9	10126704	OIL FELT				1
10	SM5040655SN	SCREW				2
11	SM4051655SP	SCREW M5 L=16				1
12	WP0531000SD	WASHER M5				1
13	B2626372000	SPRING				1
14	12219705	PIN				1
15	B1820210D00	SHUTTLE OIL FELT				2
16	B1821210D00	SHUTTLE OIL FELT				1
17	BP500000000	VINYL PIPE				0.8
18	CQ200000000	COTTON OIL WICK D=2				9.4
19	BT0700500EA	URETHANE TUBE CLEAR BLUE 7X5				1.35
20	26230706	OIL WICK PRESSER				2
21	40173337	SHUTTLE_DRIVER_SHAFT				1
22	D1837145EAA	BOBBIN CASE ASM.			☆	1
23	D9117141E00	BOBBIN			☆	1
24	EA9500B0100	CABLE BAND				2
25	B3538112000	OIL RETURN TUBE HOLDER				1
26	SM6040602TP	SCREW M4 L=6				1
27	B1411804A00	BEARING (A)	SELECTIVE PARTS			2
28	B1411804B00	NEEDLE DRIVING LEVER BEARING B	SELECTIVE PARTS			2
29	B1411804C00	NEEDLE DRIVING LEVER BEARING C	SELECTIVE PARTS			2
30	B1411804D00	BEARING (D)	SELECTIVE PARTS			2
31	CS0800971TP	THRUST COLLAR D=8 W=9				2
32	SM8050512TP	SCREW				4
33	B1847221D00	LOWER SHAFT MIDDLE METAL				1
34	14435804	HOOK SHAFT GEAR				1
35	SS8660522TP	SCREW 1/4-40 L=4.5				2

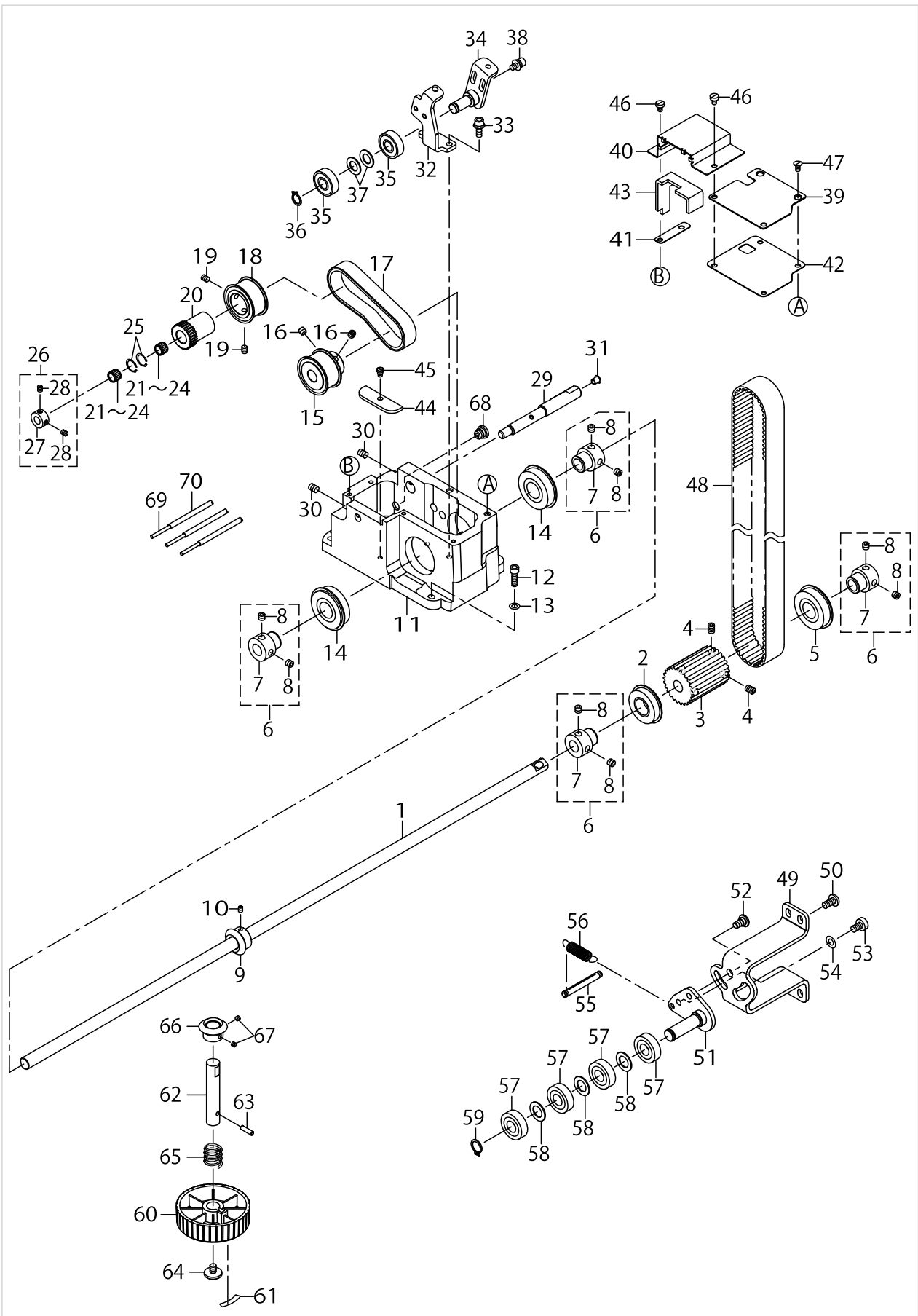
LOWER SHAFT COMPONENTS (2)



LOWER SHAFT COMPONENTS (2)

No.	Parts No.	Parts name	Remarks	Level	Cons	Qty
1	40173320	LOWER_SHAFT				1
2	SB117000400	BEARING				1
3	40072207	LOWER SHAFT SPROCKET				1
4	SM8060812TP	SCREW M6 L=8				4
5	SB117001000	BEARING				1
6	40086384	BEARING SUPPORT ASM.				4
7	23618606	BEARING SUPPORT		*		1
8	SS8660612TP	SCREW 1/4-40 L=6		*		2
9	40072173	GEAR_A				1
10	SM8040502TP	SCREW M4X0.7 L=5				2
11	40176341	LOWER_SHAFT_GEAR_BOX				1
12	SM6051602TP	SCREW M5X0.8 L=16				4
13	WP0531000SD	WASHER M5				4
14	SB117001100	BEARING				2
15	40173322	LOWER_SHAFT_PULLEY_6F				1
16	SM8060612TP	SCREW M6 L=6				2
17	40173323	TIMING_BELT				1
18	40173324	LOWER_SHAFT_PULLEY_33F				1
19	SM8050612TP	SCREW M5X6				2
20	14435705	SHUTTLE DRIVER SHAFT GEAR				1
21	SB31000080A	BEARING	SELECTIVE PARTS			2
22	SB31000080B	BEARING	SELECTIVE PARTS			2
23	SB31000080C	BEARING	SELECTIVE PARTS			2
24	SB31000080D	BEARING	SELECTIVE PARTS			2
25	RC1411018KP	C-RING 13 (10.9)				2
26	CS100081CSP	THRUST COLLAR ASM. D=10 W=8				1
27	CS1000811SP	THRUST COLLAR D=10 W=8		*		1
28	SS8110520TP	SCREW 11/64-40 L= 4.5		*		2
29	40173325	GEAR_SHAFT				1
30	SM8060812TP	SCREW M6 L=8				2
31	TA0550604R0	RUBBER PLUG				1
32	40173326	IDLER_FITTING_PLATE				1
33	SL6051492TN	SCREW M5 L=14				2
34	40173327	IDLER_BASE_ASM				1
35	SB110000400	BEARING				2
36	RC0100001KP	C-RING 10 (9.3)				1
37	WP1021016SD	WASHER				2
38	SL6051092TN	SCREW M5 L=10				2
39	40173331	BOX_COVER				1
40	40173336	BOX_COVER_A				1
41	40173332	GASKET_A				1
42	40173333	GASKET_B				1
43	40173334	FELT_A				1
44	40173335	FELT_B				1
45	40029420	FELT_SCREW_C				1
46	SM6040650TP	SCREW				4
47	SM1040870TP	SCREW				2

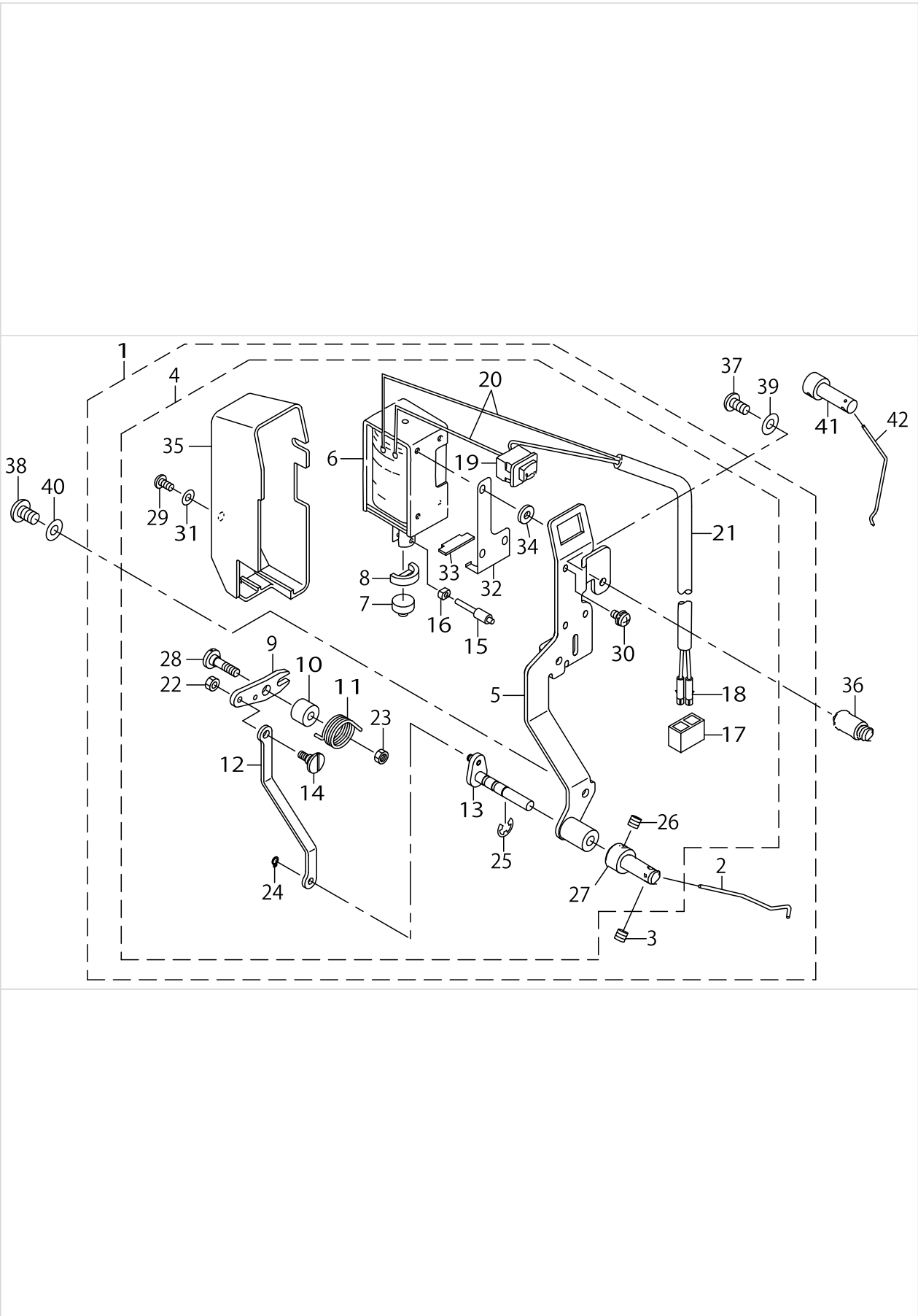
LOWER SHAFT COMPONENTS (2)



LOWER SHAFT COMPONENTS (2)

No.	Parts No.	Parts name	Remarks	Level	Cons	Qty
48	40072088	BELT				1
49	40072208	IDLER INSTALLING PLATE				1
50	SM4061255SP	SCREW M6 L=12				4
51	40072103	IDLER BASE ASM				1
52	SD0800346TP	SHOULDER SCREW				1
53	SM6061010TP	SCREW M6 L=10				1
54	WP0641601SD	WASHER M6				1
55	13518501	SPRING SUSPENSION				1
56	14432504	IDLER SPRING				1
57	SB112000200	BEARING				4
58	WP1221016SP	WASHER				3
59	RC1200001KP	C-SHAPED SNAP RING				1
60	B1212210D00	PULLEY				1
61	B1144210000	REVOLVING DIRECTION LABEL				1
62	40044053	PULLEY SHAFT				1
63	PS0400142KH	SPRING PIN 4X14				1
64	A1230500000A	HANDWHEEL SETSCREW				1
65	GAF01007000	SPRING				1
66	40006516	GEAR_B				1
67	SM8040502TP	SCREW M4X0.7 L=5				2
68	40006840	RUBBER BUSH				3
69	CQ200000000	OIL WICK				2.6
70	23630007	TUBE				6.3

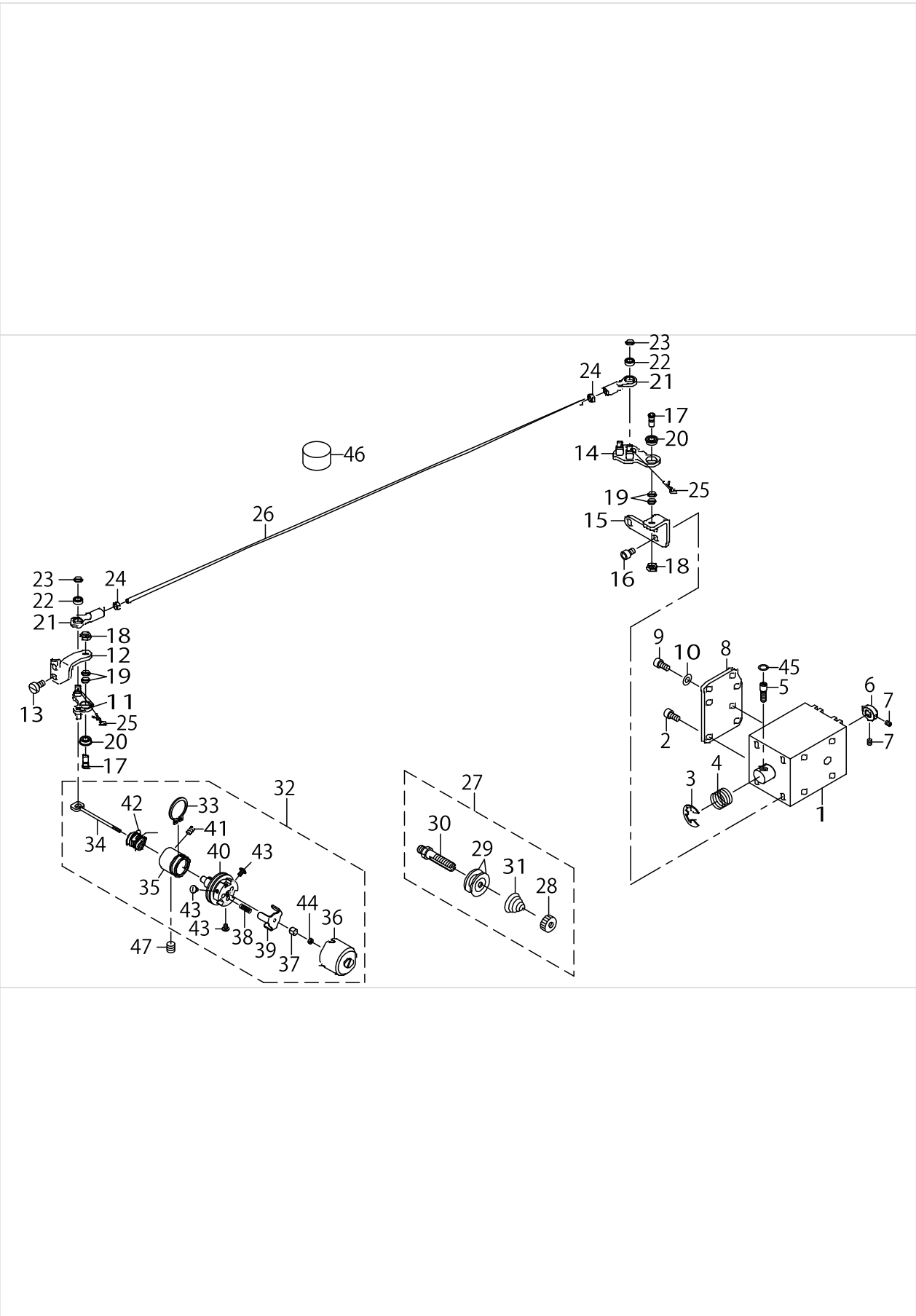
WIPER MECHANISM COMPONENTS



WIPER MECHANISM COMPONENTS

No.	Parts No.	Parts name	Remarks	Level	Cons	Qty
1	40086363	WIPER_ASM				1
2	B2107210D00	WIPER		*		1
3	SM8040412TP	SET SCREW M4 L=4		*		1
4	40086364	WIPER_B_ASM		*		1
5	40086355	WIPER_BASE_ASM		*		1
6	40030956	WIPER_SOLENOID		*		1
7	22955900	WIPER RUBBER A		*		1
8	22956007	WIPER RUBBER B		*		1
9	40086350	WIPER_LINK_A		*		1
10	40086353	WIPER_HINGE_SCREW_COLLAR		*		1
11	40086349	WIPER_SPRING		*		1
12	40086357	WIPER_LINK_B		*		1
13	40086358	WIPER_DRIVING_SHAFT_ASM		*		1
14	22956908	WIPER LINK B HINGE SCREW		*		1
15	40086352	WIPER_SOLENOID_SHAFT		*		1
16	40091894	SLIDE_BLOCK		*		1
17	HK034610020	2-POLE NYLON PLUG		*		1
18	HK03464000B	PIN CONTACT		*		2
19	HA006000000	SWITCH		*		1
20	HW200390000	ELECTRIC WIRE		*		0.04
21	HW500070000	2-CORE CABTYRE CORD		*		1.8
22	NS6090310SP	NUT 9/64-40		*		1
23	NM6050001SC	NUT M5		*		1
24	RC0370411KP	RETAINING RING		*		1
25	RE0500000K0	E-RING		*		1
26	SM8040412TP	SET SCREW M4 L=4		*		1
27	40086354	WIPER_SHAFT_CAP		*		1
28	40086351	SHOULDER_SCREW		*		1
29	SM4030601SN	SCREW M3X6		*		1
30	SL4031091SC	SCREW M3X10		*		3
31	WP0320501SC	WASHER M3		*		1
32	40037500	RUBBER HOLDER		*		1
33	40037501	STOPPER RUBBER		*		1
34	WP0482086SD	WASHER 4.8X11.5X2		*		3
35	22955504	WIPER COVER		*		1
36	40025440	WIPER_STUD_TOP				1
37	SM4040855SP	SCREW				1
38	SM4050855SP	SCREW				1
39	WP0450801SP	WASHER				1
40	WP0531001SC	WASHER				1
41	40076294	WIPER_SHAFT_CAP	OPTIONAL PARTS			1
42	B2107210D0B	WIPER	OPTIONAL PARTS			1

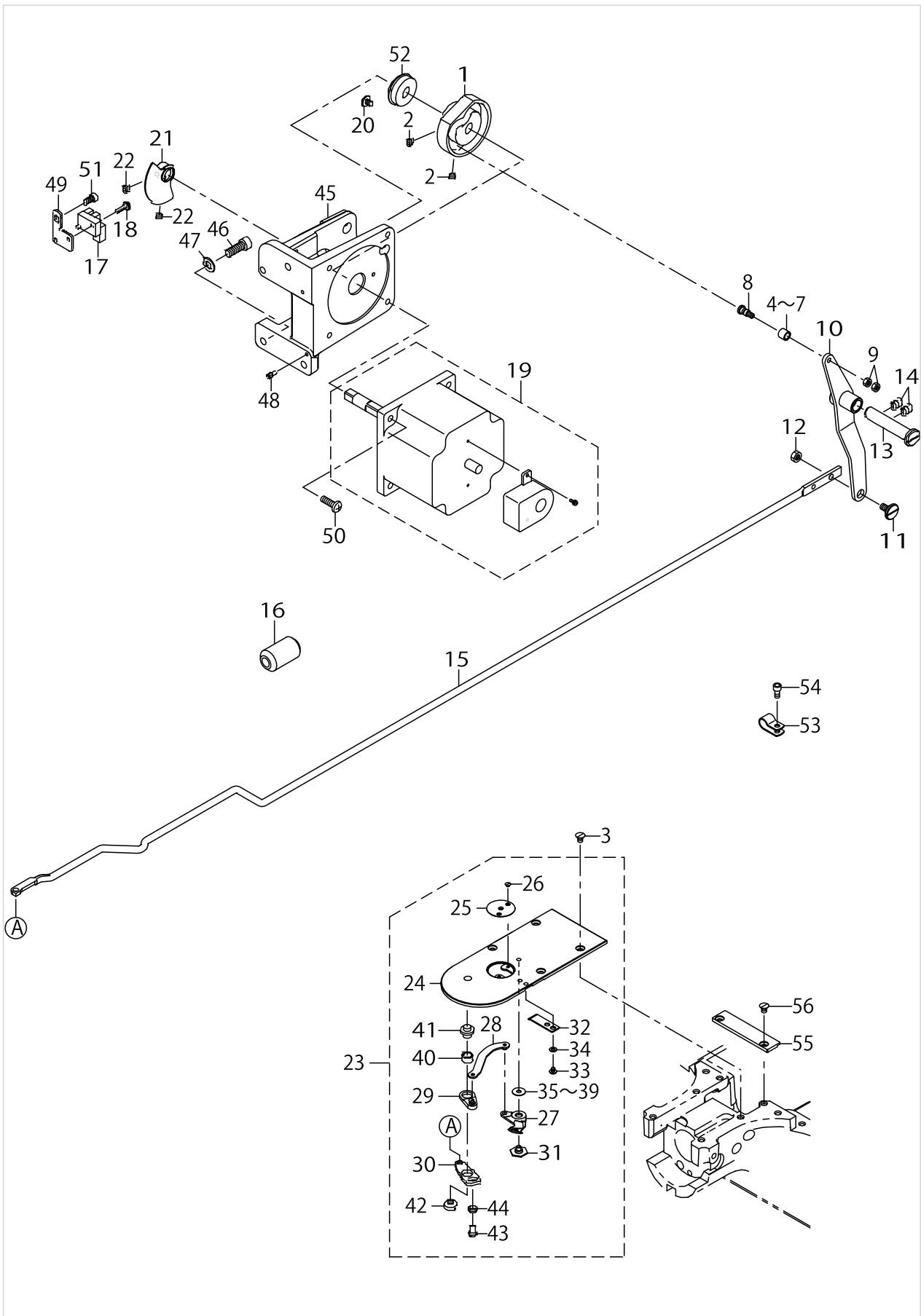
TENSION RELEASE & THREAD TENSION COMPONENTS



TENSION RELEASE & THREAD TENSION COMPONENTS

No.	Parts No.	Parts name	Remarks	Level	Cons	Qty
1	40073660	AT SOLENOID				1
2	SM6040802TP	SCREW M4X0.7 L=8				4
3	RE0900000K0	E-RING 9				1
4	40006625	SPRING				1
5	40006617	AT_SOL_PIN				1
6	40010477	AT_SOL_COLLAR				1
7	SM8030412TP	SCREW				2
8	40010479	AT_PLATE				1
9	SM6040802TP	SCREW M4X0.7 L=8				2
10	WP0430801SC	WASHER 4.3X9X0.8				2
11	40032343	AT_DRIVE_LINK_F_ASM				1
12	40023993	AT_PIVOT_BASE(F)				1
13	SM6040860TP	SCREW M4 L=8				2
14	40032345	AT_DRIVE_LINK_R_ASM				1
15	40023999	AT_PIVOT_BASE(R)				1
16	SM6040802TP	SCREW M4X0.7 L=8				2
17	40010487	AT_PIVOT_SCREW				2
18	NM6040003SC	NUT M4				2
19	40010489	AT_PIVOT_SCREW_WASHER				4
20	40010490	AT_PIVOT_BEARING				2
21	40010497	AT_JOINT				2
22	40010498	AT_JOINT_BEARING				2
23	40010489	AT_PIVOT_SCREW_WASHER				2
24	40010499	AT_JOINT_NUT				2
25	40006622	AT_SNAP_PIN				2
26	40072111	AT CONNECTION BAR				1
27	40010503	THREAD_TENSION_1_ASM.				1
28	22928808	NUT		*		1
29	22921506	THREAD TENSION DISK		*		2
30	40010504	THREAD_TENSION_SHAFT		*		1
31	26218602	FIRST THREAD TENSION SPRING		*		1
32	40029411	THREAD_TENSION_2_ASM_H				1
33	40010523	POST_BASE_C_RING		*		1
34	40010509	TENSION RELEASE PIN		*		1
35	40010510	THREAD_TENSION_POST_BASE		*		1
36	40010511	DISK_STOPPER_HOLDER_CAP		*		1
37	40010512	THREAD_TENSION_SHAFT_COLLAR		*		1
38	40010513	DISK_STOPPER_SPRING		*		3
39	40010514	DISK_STOPPER		*		1
40	40010515	ASSY_THREAD_TENSION_POST		*		1
41	40010478	AT_SOL_COLLAR_SCREW		*		1
42	40029412	THREAD_TAKE-UP_SPRING_H		*	☆	1
43	40010521	HOLD_CAP_SCREW		*		3
44	40010522	SHAFT_NUT		*		1
45	WP0510516SD	WASHER 5.1X7.5X0.5				2
46	B1228232000	OIL FELT				2
47	SM8061612TP	SCREW M6X16				1

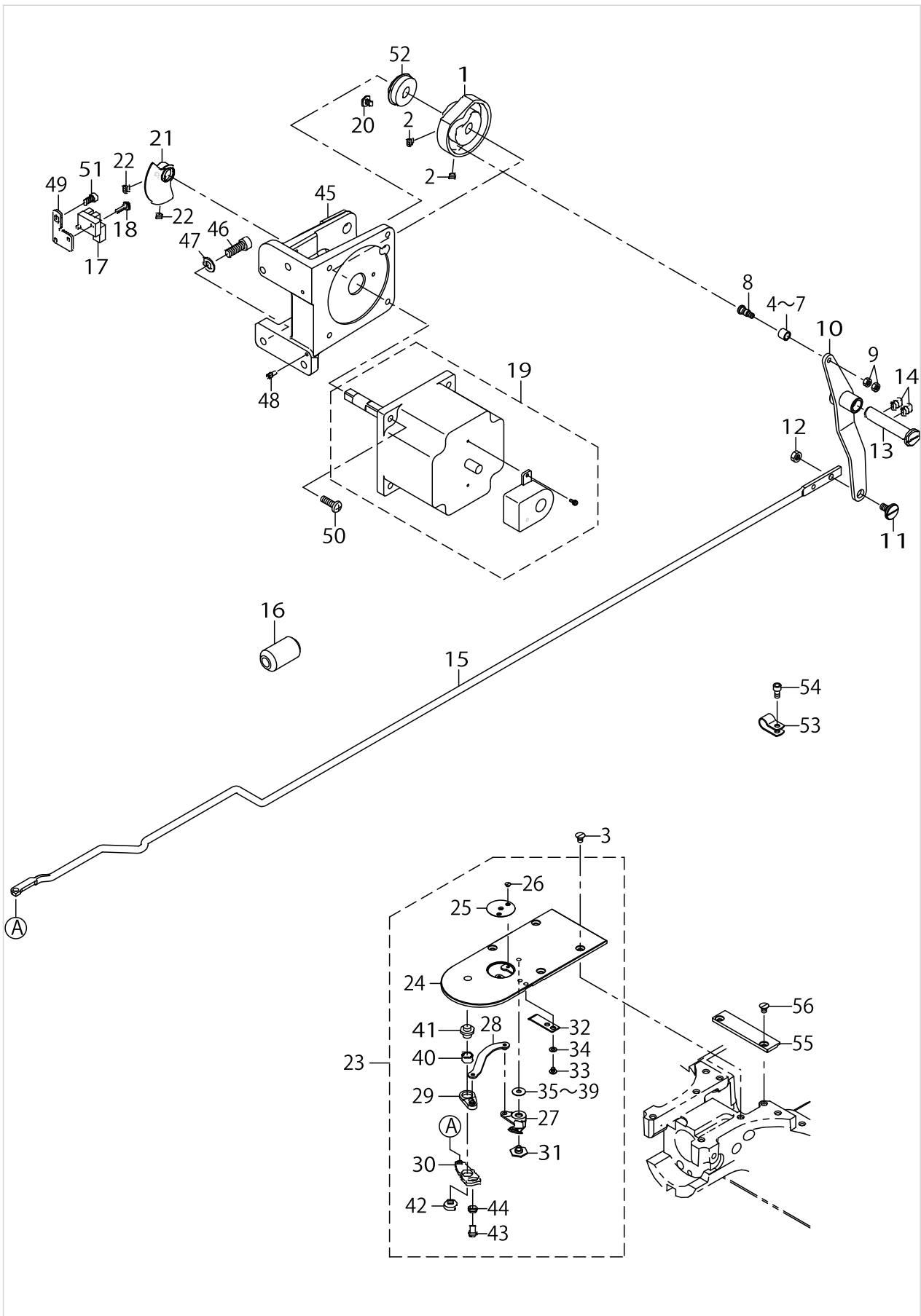
THREAD TRIMMER MECHANISM COMPONENTS



THREAD TRIMMER MECHANISM COMPONENTS

No.	Parts No.	Parts name	Remarks	Level	Cons	Qty
1	40030936	THREAD_TRIMMER_CAM				1
2	SM8050592TP	SCREW				2
3	SM1040650TP	SCREW				4
4	23517501	NEEDLE CAM ROLLER A	SELECTIVE PARTS			1
5	23517600	NEEDLE CAM ROLLER B	SELECTIVE PARTS			1
6	23517709	NEEDLE CAM ROLLER C	SELECTIVE PARTS			1
7	23517808	NEEDLE CAM ROLLER D	SELECTIVE PARTS			1
8	40040256	ROLLER_SHAFT				1
9	NM6040001SP	NUT M4X0.7				2
10	40072228	THREAD_TRIMMER_LINK_ASM				1
11	SD0800327TP	SHOULDER SCREW				1
12	NM6050001SP	NUT M5				1
13	40023624	THREAD_TRIMMER_SHAFT				1
14	SM8060812TP	SCREW M6 L=8				2
15	40072107	THREAD TRIMMER CONNECTING BAR				1
16	HN002840000	CORES	FOR JE			1
17	HD00057000A	PHOTO SENSOR				1
18	SL4031091SC	SCREW M3X10				1
19	40103968	ENCODER MOTOR ASM.(TC)				1
20	SM6040650TP	SCREW				1
21	40006666	SENSOR_SLIT_ASM				1
22	SM8050592TP	SCREW				2
23	40173342	NEEDLE_PLATE_ASM	TYPE H			1
24	40135369	NEEDLE PLATE		*		1
25	14439608	NEEDLE HOLE GUIDE D=3		*		1
26	SS1060210TP	SCREW 3/32-56 L=2.2		*		2
27	14440309	MOVING KNIFE		*		1
28	14440457	MOVING KNIFE LINK COMPL.		*		1
29	14440556	LEVER TYPE COMPL.		*		1
30	B24142800A0	THREAD CUTTER LEVER ASM.		*		1
31	40173343	MOVING_KNIFE_HINGE_SCREW		*		1
32	40135370	FIXING KNIFE		*		1
33	SM4030301SC	SCREW M3X0.5 L=3		*		2
34	WP0320500SC	WASHER M3		*		2
35	B242328000A	MOVING KNIFE WASHER A	SELECTIVE PARTS	*		1
36	B242328000B	MOVING KNIFE WASHER B	SELECTIVE PARTS	*		1
37	B242328000C	MOVING KNIFE WASHER C	SELECTIVE PARTS	*		1
38	B242328000D	MOVING KNIFE WASHER D	SELECTIVE PARTS	*		1
39	B242328000E	MOVING KNIFE WASHER E	SELECTIVE PARTS	*		1
40	B2416280000	THREAD CUTTING LEVER RING		*		1
41	B2417280000	THREAD CUTTER LEVER SHAFT		*		1
42	SS6110430TP	SCREW 11/64-40 L= 4.0		*		1
43	SS7110740TP	SCREW 11/64-40 L=7		*		1
44	WP0450846SP	WASHER		*		1
45	40072211	MOTOR_BASE				1
46	SM6061802TP	SCREW M6 L=18				3
47	WP0651001SC	WASHER				3

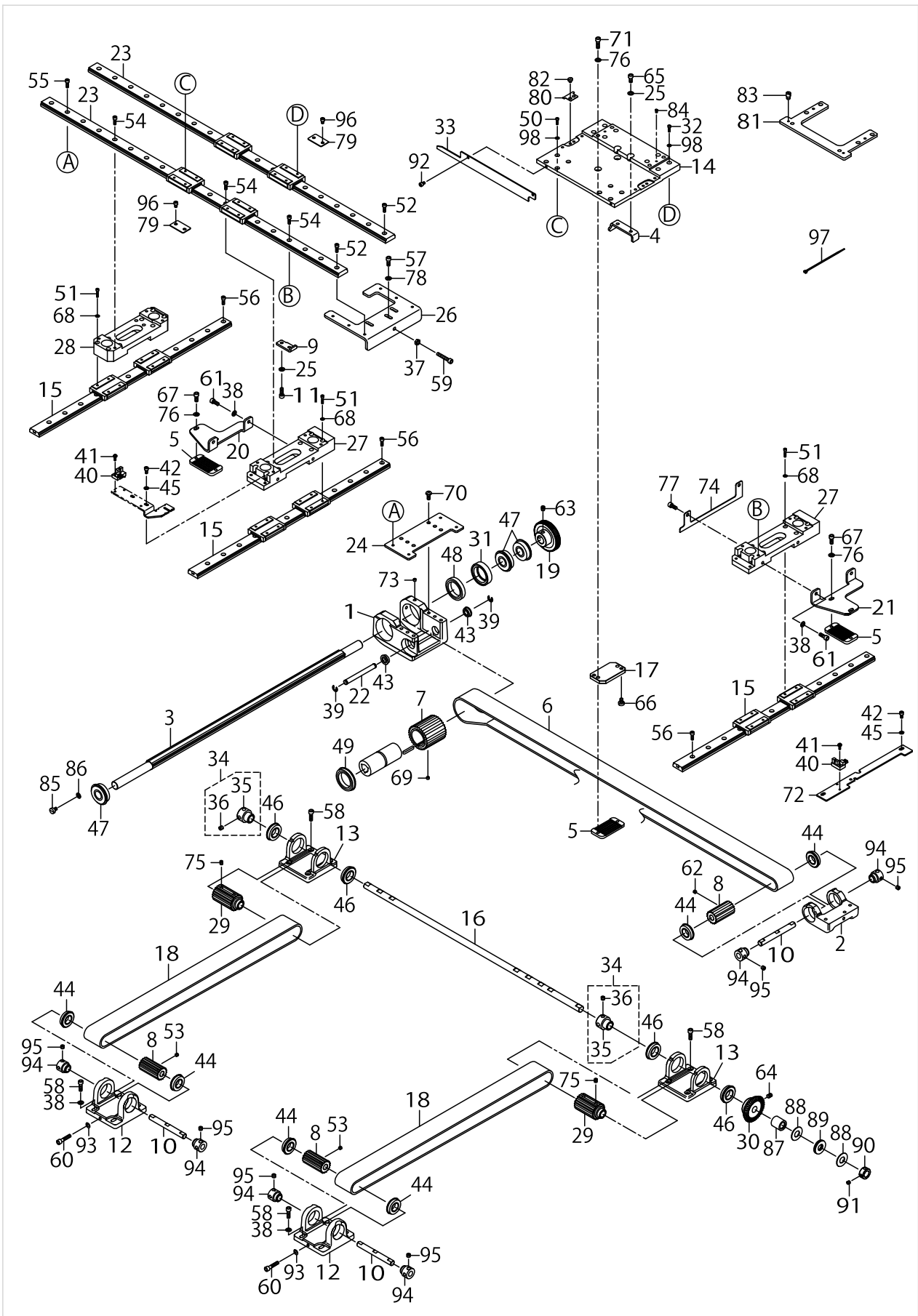
THREAD TRIMMER MECHANISM COMPONENTS



THREAD TRIMMER MECHANISM COMPONENTS

No.	Parts No.	Parts name	Remarks	Level	Cons	Qty
48	B1816215P00	GUIDE PIN				2
49	40010443	SENSOR_INSTALLING_BASE				1
50	SM4051655SP	SCREW M5 L=16				4
51	SM6040802TP	SCREW M4X0.7 L=8				1
52	SB110002400	BEARING				1
53	HX00150000C	CABLE CLIP				1
54	SM6040802TP	SCREW M4X0.7 L=8				1
55	40173339	NEEDLE_PLATE_SUPPORTER				1
56	SM1040650TP	SCREW				2

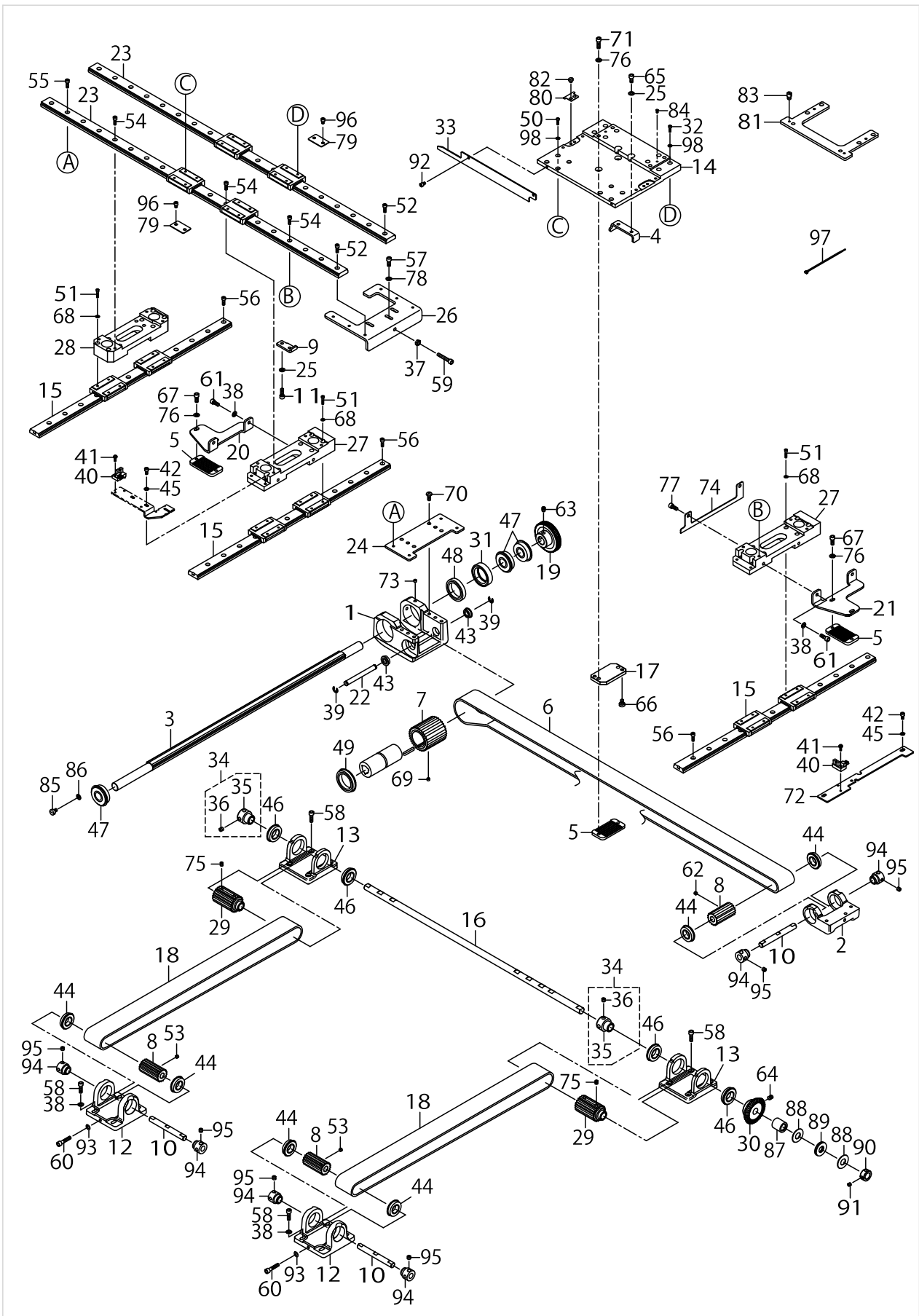
X-Y COMPONENTS (1)



X-Y COMPONENTS (1)

No.	Parts No.	Parts name	Remarks	Level	Cons	Qty
1	40072160	X_DRIVE_BRACKET				1
2	40072113	X DRIVEN BRACKET				1
3	40072115	X DRIVE SPLINE SHAFT				1
4	40072130	X STOPPER A 4530				1
5	40072166	BELT RECEIVER				3
6	40072169	X TIMING BELT(4530)				1
7	40072167	X DRIVE SPROCKET				1
8	40072168	DRIVEN SPROCKET				3
9	40072152	X STOPPER B 4530				1
10	40072226	DRIVEN_SHAFT				3
11	SM6051402TP	SCREW M5X0.8 L=14				2
12	40072114	Y DRIVEN BRACKET				2
13	40072112	Y DRIVE BRACKET				2
14	40072116	X FEED BASE				1
15	40072117	Y-LM GUIDE				3
16	40072118	Y DRIVE SHAFT				1
17	40072119	X BELT PRESSER FIX PLATE				1
18	40072171	Y TIMING BELT				2
19	B2534223C00	X DRIVEN WHEEL				1
20	40072129	Y BELT PRESSER FIX PLATE LEFT				1
21	40072128	Y BELT PRESSER FIX PLATE RIGHT				1
22	B2539223C00	X IDLER SHAFT				1
23	40072120	X-LM GUIDE(4530)				2
24	40072122	X DRIVE BRACKET BASE				1
25	WP0531000SD	WASHER M5				4
26	40072156	X DRIVEN BRACKET BASE 4530				1
27	40072124	Y FEED BASE A				2
28	40072125	Y FEED BASE B				1
29	40072126	Y DRIVE SPROCKET				2
30	B2548223C00	Y DRIVEN WHEEL				1
31	B2549223C00	COLLAR				1
32	SM6031002TP	HEXAGONAL BOLT M3X10				8
33	40072131	X SLIT PLATE 4530				1
34	40086384	BEARING SUPPORT ASM.				2
35	23618606	BEARING SUPPORT		*		1
36	SS8660612TP	SCREW 1/4-40 L=6		*		2
37	NM6050001SP	NUT M5				1
38	WP0531000SD	WASHER M5				12
39	RE0600000K0	E-RING 6				2
40	HD00057000A	PHOTO SENSOR				2
41	SL4031091SC	SCREW M3X10				2
42	SM6040802TP	SCREW M4X0.7 L=8				4
43	SB108000500	RADIAL BEARING				2
44	SB115000600	BALL BEARING				6
45	WP0430800SD	WASHER M4				4
46	SB117000900	BEARING				4
47	B1802180000	BUSHING FRONT				3

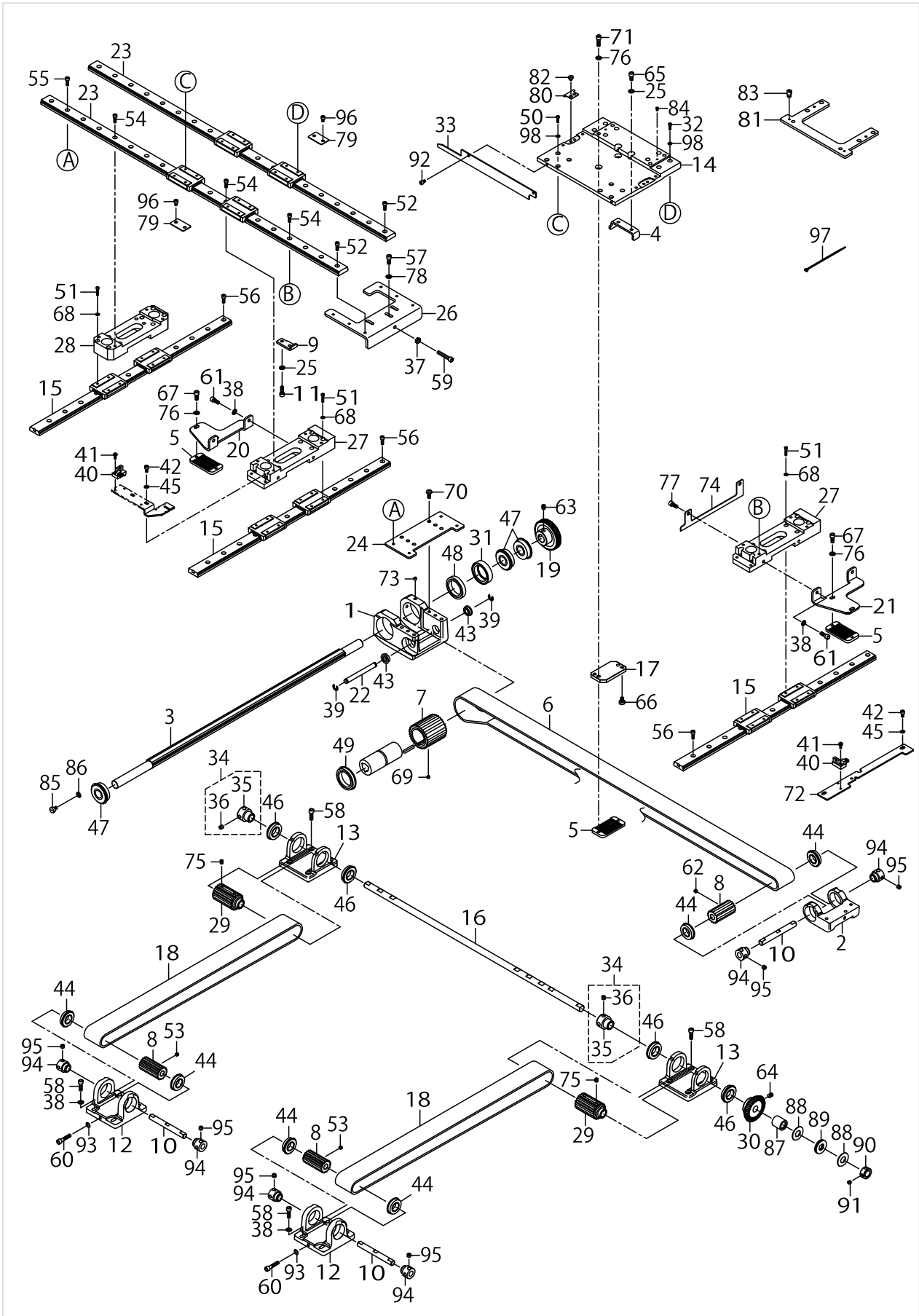
X-Y COMPONENTS (1)



X-Y COMPONENTS (1)

No.	Parts No.	Parts name	Remarks	Level	Cons	Qty
48	SB13000200	BEARING				1
49	SB13000300	BEARING				1
50	SM6030602TP	SCREW M3X0.5 L=6				8
51	SM6031402TP	SCREW				24
52	SM6041202TP	SCREW M4X0.7 L=12				6
53	SM8050412TP	SCREW M5 L=4				4
54	SM6041202TP	SCREW M4X0.7 L=12				12
55	SM6041202TP	SCREW M4X0.7 L=12				4
56	SM6041202TP	SCREW M4X0.7 L=12				21
57	SM6051202TP	SCREW M5X0.8 L=12				3
58	SM6051602TP	SCREW M5X0.8 L=16				16
59	SM6053052TN	SCREW				1
60	SM6052502TP	SCREW M5X0.8 L=25				2
61	SM6051202TP	SCREW M5X0.8 L=12				4
62	SM8050412TP	SCREW M5 L=4				2
63	SM8060802TP	SCREW M6 L=8				2
64	SM8060812TP	SCREW M6 L=8				2
65	SM6051002TP	SCREW M5X0.8 L=10				2
66	SM6050800SP	SCREW M5 L=8				2
67	SM6051202TP	SCREW M5X0.8 L=12				4
68	WP0320501SD	WASHER				24
69	SM8050412TP	SCREW M5 L=4				2
70	SM4051255SP	SCREW M5 L=12				6
71	SM6051602TP	SCREW M5X0.8 L=16				2
72	40072209	YSENSOR INSTALLING PLATE				1
73	SM8050412TP	SCREW M5 L=4				2
74	40072133	Y SLIT PLATE				1
75	SM8050612TP	SCREW M5X6				8
76	WP0531000SD	WASHER M5				6
77	SM6050652TP	HEXAGON SOCKET HEAD SCREW M5X6				2
78	WP0531000SD	WASHER M5				3
79	B4022221D00	FLAT CABLE CLAMP				2
80	B1158224C00	COVER PRESSER				2
81	40072127	LOWER PLATE INSTALLING PLATE				1
82	SM6040450TP	SCREW M4 L=4				4
83	B151902600G	HINGE STUD				2
84	B1816280000	GUIDE PIN				2
85	SM6050800SP	SCREW M5 L=8				1
86	WP0531000SD	WASHER M5				1
87	SB312000600	BEARING				1
88	13887005	THRUST WASHER				2
89	SB612000100	BEARING				1
90	CS1200981TP	THRUST COLLAR D=12 W=9				1
91	SM8050592TP	SCREW				2
92	SM6040602TP	SCREW M4 L=6				2
93	WP0531000SD	WASHER M5				2
94	40072227	BEARING_BUSH				6

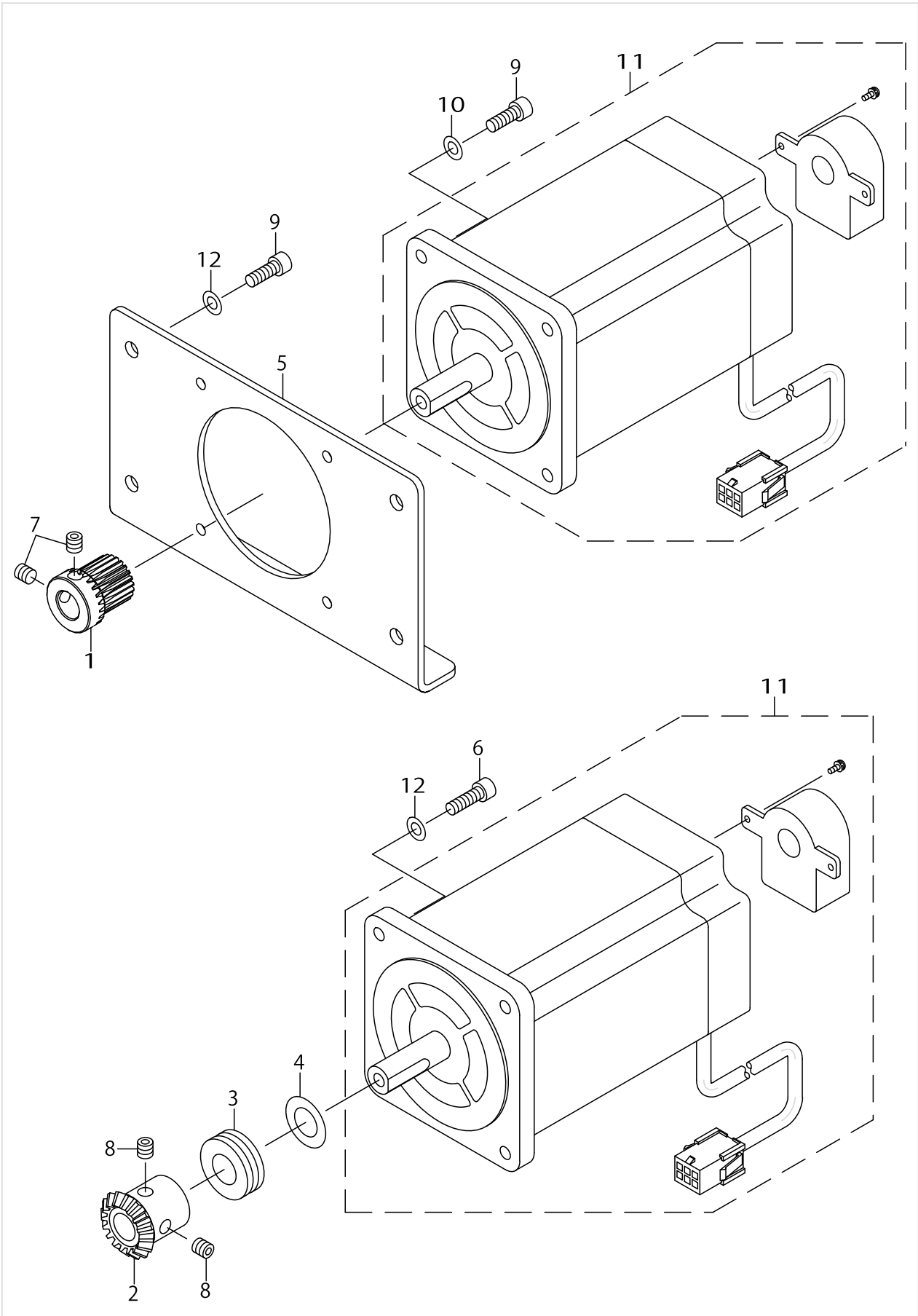
X-Y COMPONENTS (1)



X-Y COMPONENTS (1)

No.	Parts No.	Parts name	Remarks	Level	Cons	Qty
95	SM8060552TP	SCREW M6 L=5				12
96	SM6040602TP	SCREW M4 L=6				4
97	EA9500B0100	CABLE BAND				3
98	WP0320501SD	WASHER				16

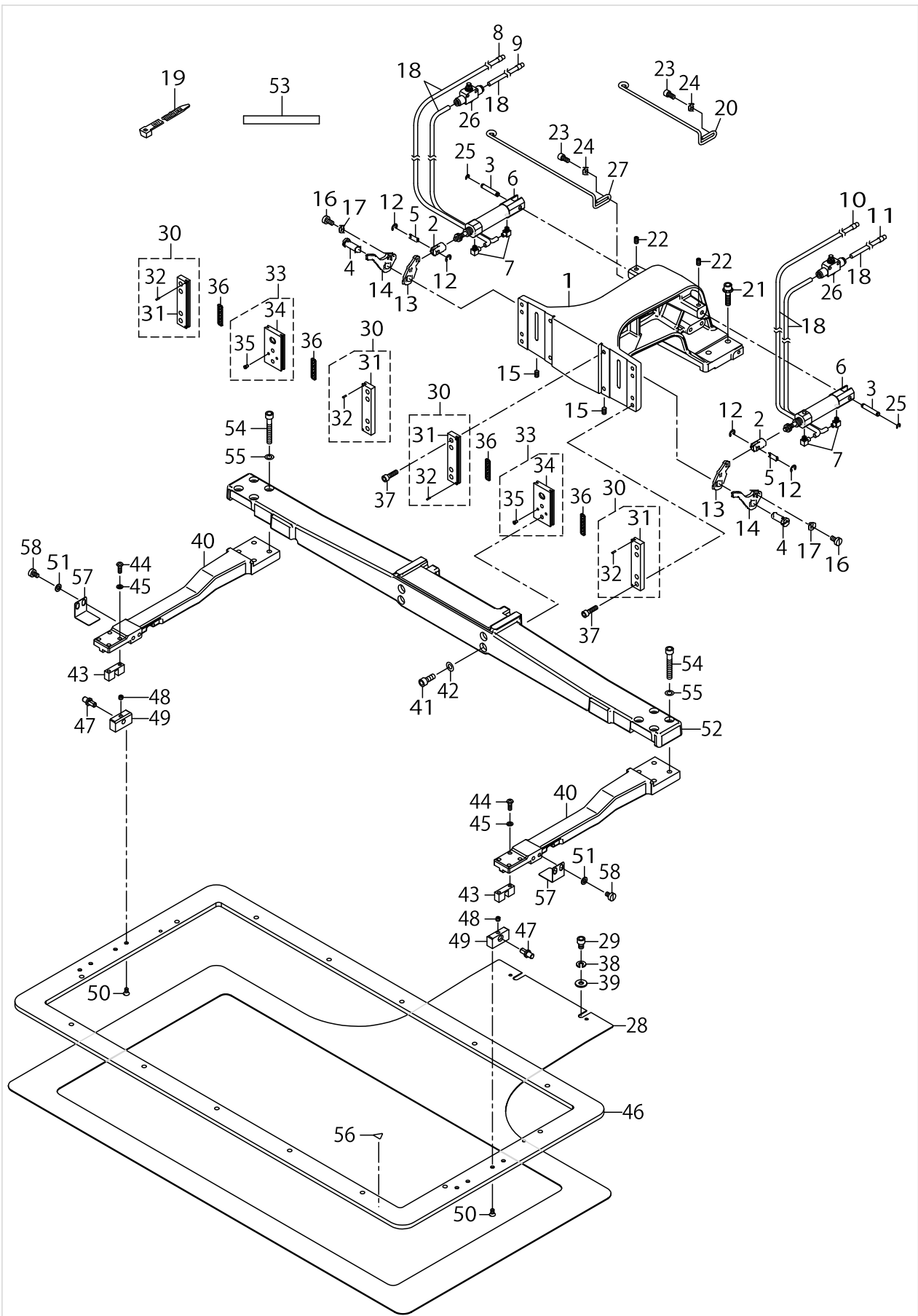
X-Y COMPONENTS (2)



X-Y COMPONENTS (2)

No.	Parts No.	Parts name	Remarks	Level	Cons	Qty
1	B2525223C00	X DRIVE WHEEL				1
2	B2526223C00	Y DRIVE WHEEL				1
3	SB412000100	BEARING				1
4	B2537221D00	Y DRIVE WHEEL SPACER				3
5	40072155	X MOTOR INSTALLING PLATE				1
6	SM6051602TP	SCREW M5X0.8 L=16				4
7	SM8060602TP	SCREW M6X6				2
8	SM8060602TP	SCREW M6X6				2
9	SM6051402TP	SCREW M5X0.8 L=14				8
10	WP0531000SD	WASHER M5				4
11	40104419	ENCODER MOTOR ASM.(X-Y)				2
12	WP0531000SD	WASHER M5				8

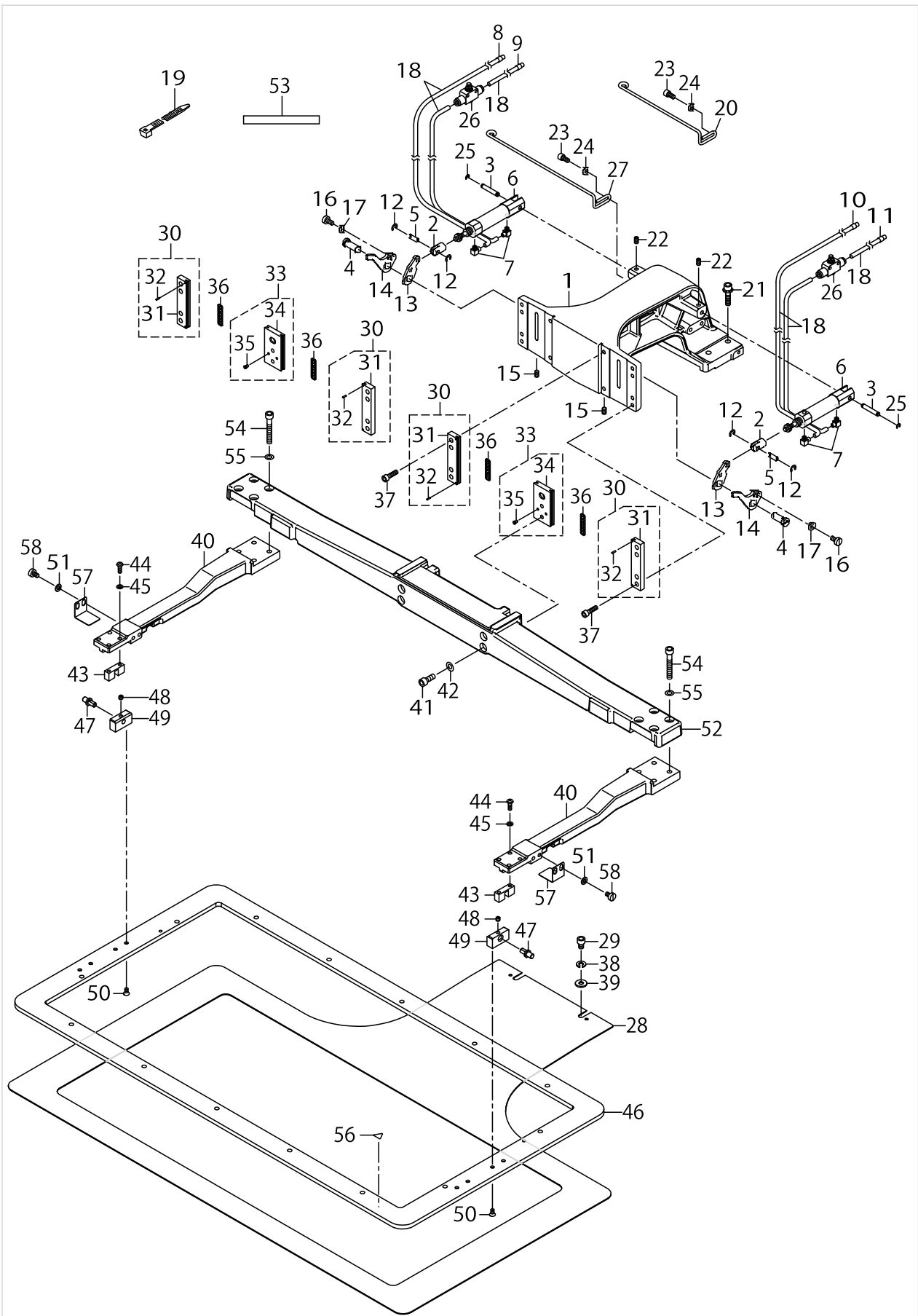
CLOTH FEED MECHANISM COMPONENTS



CLOTH FEED MECHANISM COMPONENTS

No.	Parts No.	Parts name	Remarks	Level	Cons	Qty
1	40072135	CLOTH FEED BASE				1
2	40023644	CYLINDER KNUCKLE				2
3	B1504210000	CONNECTING SHAFT				2
4	26023408	FEED STUD				2
5	40023635	CYLINDER PIN				2
6	PA1602509A0	AIR CYLINDER				2
7	PJ046052503	HOSE ELBOW				4
8	B471122000C	AIR TUBE LABEL J03 LEFT				1
9	B471122000D	AIR TUBE LABEL J04 LEFT				1
10	B471122000G	AIR TUBE LABEL J03 RIGHT				1
11	B471122000H	AIR TUBE LABEL J04 RIGHT				1
12	RE0300000K0	E-RING 3				4
13	40032229	LIFTING_LEVER_A				2
14	40085820	LIFTING_LEVER_B				2
15	SM8050812TP	SCREW M5X8				2
16	SM6051000SP	SCREW				2
17	WP0531000SD	WASHER M5				2
18	BT0400251EB	URETHANE HOSE BLACK				4
19	HX002330000	CLIP				10
20	B2568223C00	AIR TUBE SUPPORT				1
21	SL6062592TN	SCREW				4
22	SM8050812TP	SCREW M5X8				2
23	SM6051002TP	SCREW M5X0.8 L=10				4
24	WP0531000SD	WASHER M5				4
25	RE0320000K0	E-RING 3.2				2
26	PC012401000	SPEED CONTROLLER				2
27	B2568224C00	AIR TUBE SUPPORT A				1
28	40072136	LOWER PLATE 4530				1
29	SM6060802TP	SCREW M6 L=8				2
30	B2567223CA0	WORK CLAMP FOOT PLATE B ASM.				4
31	B2567223C00	WORK CLAMP FOOT PLATE B		*		4
32	PS0150065KP	SPRING PIN 1.5X6		*		8
33	40085830	SLIDE_PLATE_ASM.				2
34	40085824	SLIDE_PLATE		*		2
35	B1816280000	GUIDE PIN		*		4
36	B2569229000	SLIDING PLATE BEARING				4
37	SM6051802TP	SCREW M5 L=18				12
38	WS0610002KP	SPRING WASHER				2
39	WP0611626SP	WASHER 15X6X1.6				2
40	40072163	FEEDING_FRAME_ARM_B				2
41	SM6061602TP	SCREW M6 L=16				4
42	WP0641600SC	WASHEW 6.4X12.5X1.6				4
43	40051770	FEEDING FRAME BALL CATCH				2
44	SM4041255SP	SCREW M4 L=12				4
45	WP0430800SD	WASHER M4				4
46	40072138	FEEDING FRAME 4530				1
47	B2560220000	SUPPORT PIN				2

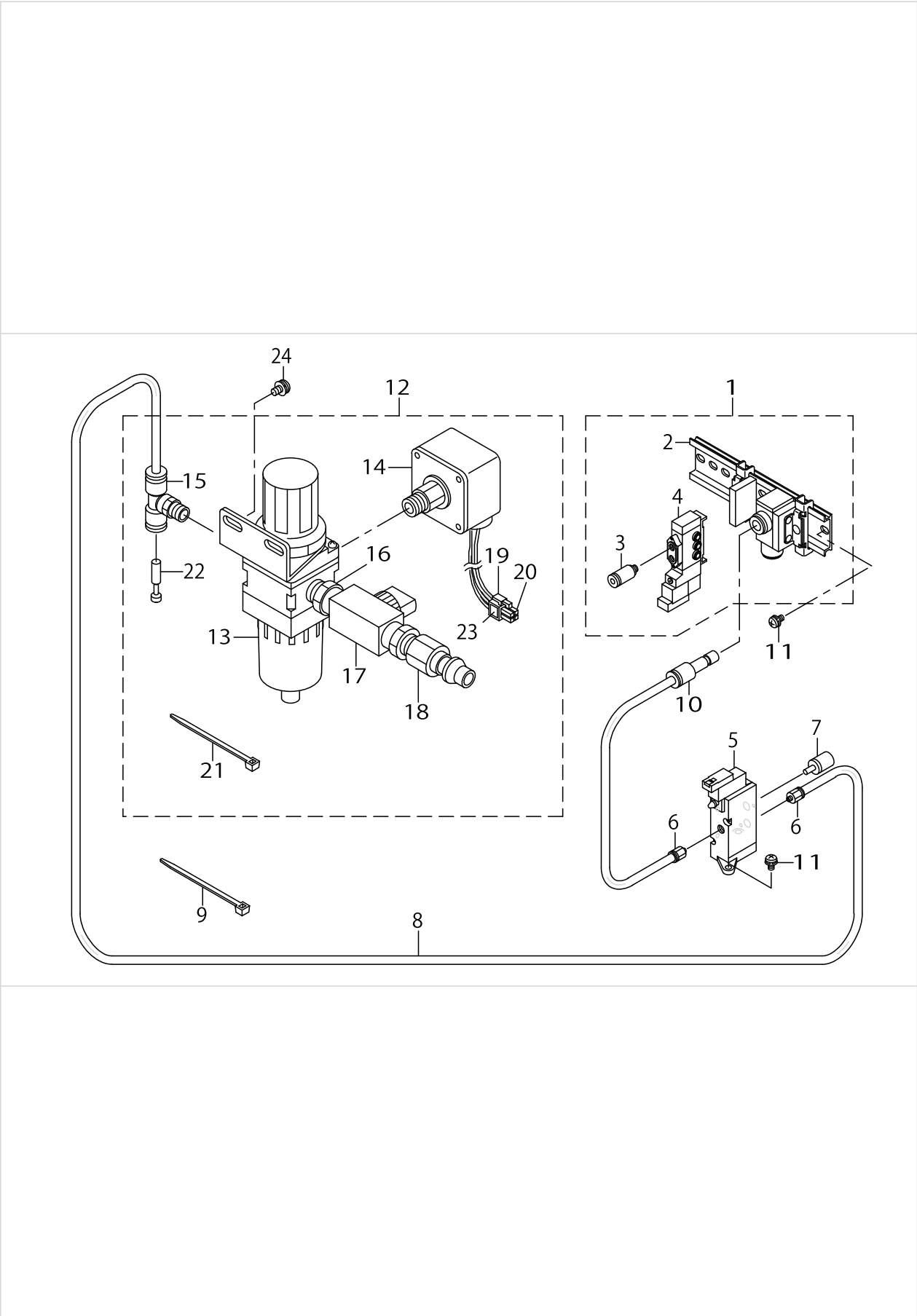
CLOTH FEED MECHANISM COMPONENTS



CLOTH FEED MECHANISM COMPONENTS

No.	Parts No.	Parts name	Remarks	Level	Cons	Qty
48	SM8050412TP	SCREW M5 L=4				2
49	40051769	FEEDING FRAME SUPPORT BEARING				2
50	SM1040870TP	SCREW				4
51	WP0531000SD	WASHER M5				4
52	40072161	FEEDING_FRAME_ARM_A_4530				1
53	HX00364000E	PARTS				1.2
54	SM6062502TN	HEXAGONAL-HOLE BOLT				8
55	WP0641600SC	WASHEW 6.4X12.5X1.6				8
56	CM300200001	ATTENTION SEAL				1
57	B2563215000	FEEDING FRAME HOLDING PLATE				2
58	SM6050800SP	SCREW M5 L=8				4

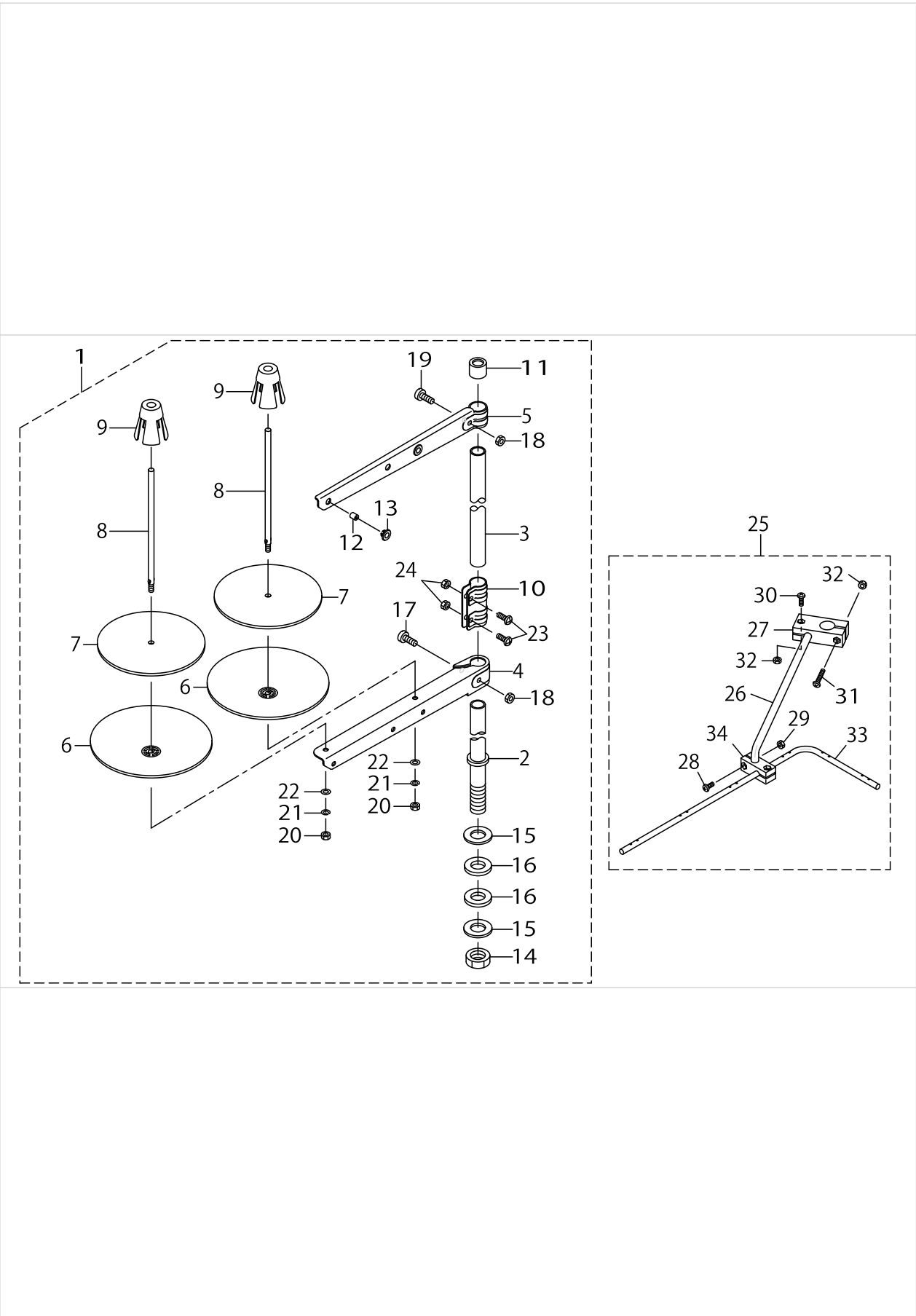
PNEUMATIC COMPONENTS



PNEUMATIC COMPONENTS

No.	Parts No.	Parts name	Remarks	Level	Cons	Qty
1	40072220	SOLENOID_VALVE_ASM				1
2	PV915005000	SOLENOID VALVE INSTALLING BASE		*		1
3	PJ301040505	HALF UNION		*		2
4	PV150209100	SOLENOID VALVE		*		1
5	PV1351270A0	3-WAY SOLENOID VALVE				1
6	PJ301065103	HALF UNION 6XPT1/8				2
7	PX055104000	SILENCER (PT1/8)				1
8	BT0600401EB	TUBE				1.1
9	EA9500B0100	CABLE BAND				1
10	PJ301060003	REDUCER				1
11	SL4040891SC	SCREW M4 L=8				4
12	B47152150A0	FILTER REGULATOR ASM.				1
13	PF0552040B0	FILTER REGULATOR		*		1
14	G8124270000	AIR PRESSUE SWITCH		*		1
15	PJ305065202	TEE		*		1
16	PJ030520001	RING JOINT (NIPPLE)		*		1
17	G5430116000	AIR COCK		*		1
18	PJ309005203	QUICK JOINT PLUG		*		1
19	HK034610040	HOUSING		*		1
20	HK034640000	PIN CONTACT		*		3
21	EA9500B0100	CABLE BAND		*		5
22	PX950009000	PLUG		*		1
23	E2678453000	CONNECTOR MARKER J78		*		1
24	SL4051091SC	SCREW M5X0.8 L=10				2

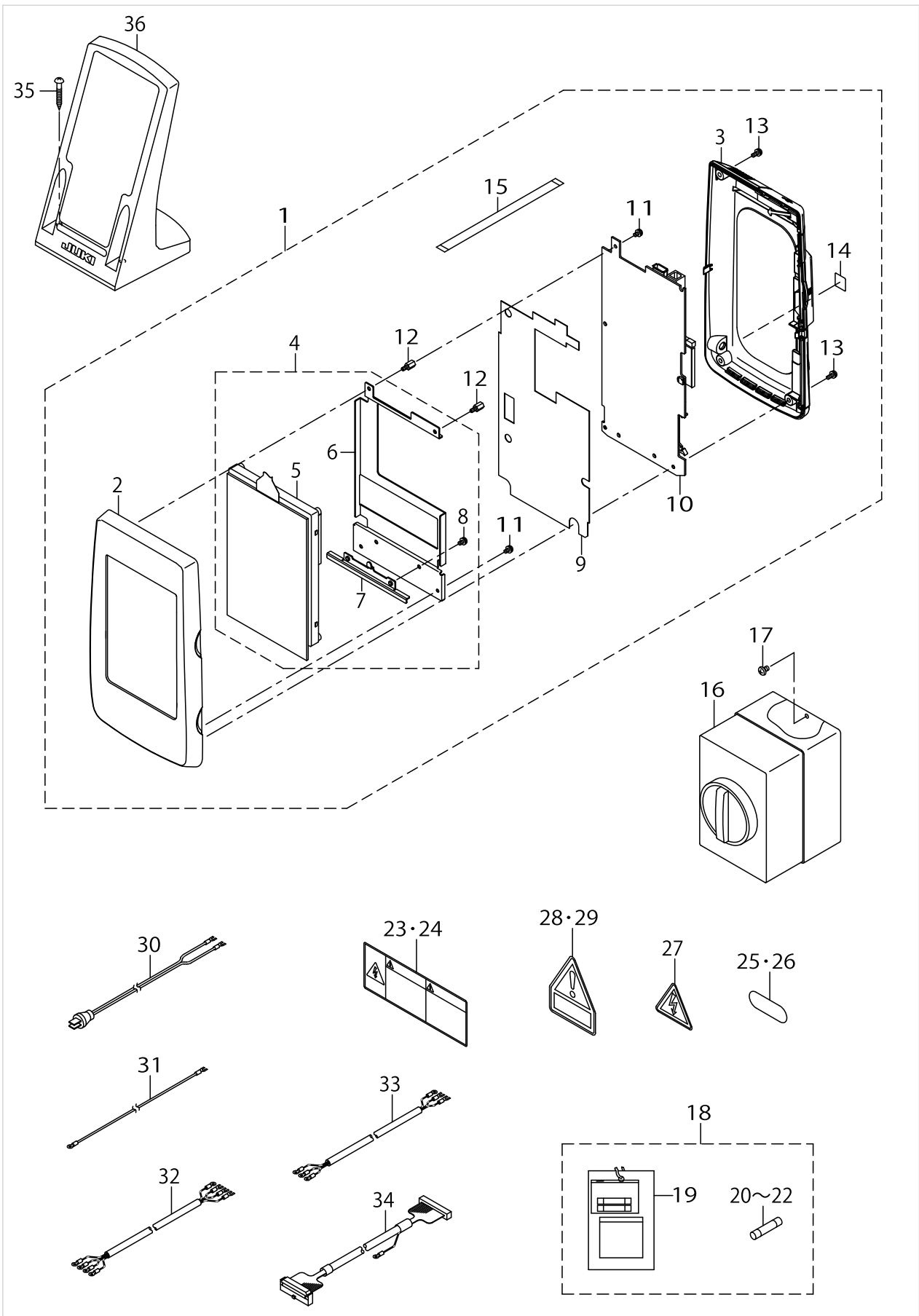
THREAD STAND COMPONENTS



THREAD STAND COMPONENTS

No.	Parts No.	Parts name	Remarks	Level	Cons	Qty
1	40096354	THREAD STAND ASM.				1
2	40085784	SPOOL REST ROD LOWER		*		1
3	40085785	SPOOL REST ROD UPPER		*		1
4	40085786	SPOOL REST ARM LOWER		*		1
5	40085787	SPOOL REST ARM UPPER		*		1
6	40085788	SPOOL REST		*		2
7	40085789	SPOOL REST CUSHION		*		2
8	40085790	SPOOL PIN		*		2
9	40085791	SPOOL RETAINER		*		2
10	40085792	SPOOL REST ROD JOINT		*		1
11	40085793	SPOOL REST ROD RUBBER CAP		*		1
12	40085794	THREAD GUIDE		*		2
13	40085795	THREAD GUIDE BUSHING		*		2
14	40096325	SPOOL REST ROD NUT		*		1
15	WP1612616SE	WASHER 16X30X2.6		*		2
16	40085796	SPOOL REST ROD RUBBER CUSHION		*		2
17	40096326	SPOOL REST ARM LOWER SCREW		*		1
18	NM6050001SE	NUT M5		*		2
19	40096327	SPOOL REST ARM UPPER SCREW		*		1
20	NM6050001SE	NUT M5		*		2
21	WS0510002KN	SPRING WASHER M5		*		2
22	WP0531001SC	WASHER M5		*		2
23	SM4051405SE	SCREW M5 L=14		*		2
24	NM6050001SE	NUT M5		*		2
25	26910059	THREAD GUIDE ARM ASM.				1
26	13168109	THREAD GUIDE ARM BASE		*		1
27	13168208	THREAD GUIDE ARM BASE		*		1
28	SM4041001SC	SCREW M4X0.7 L=10		*		2
29	NM6040002SE	NUT M4X0.7		*		2
30	SM4041201SC	SCREW M4 L=12		*		1
31	SM4042001SC	SCREW M4X20		*		1
32	NM6040002SE	NUT M4X0.7		*		2
33	13167903	THREAD STANDING THREAD GUIDE		*		1
34	13168000	THREAD GUIDE BASE LOWER		*		1

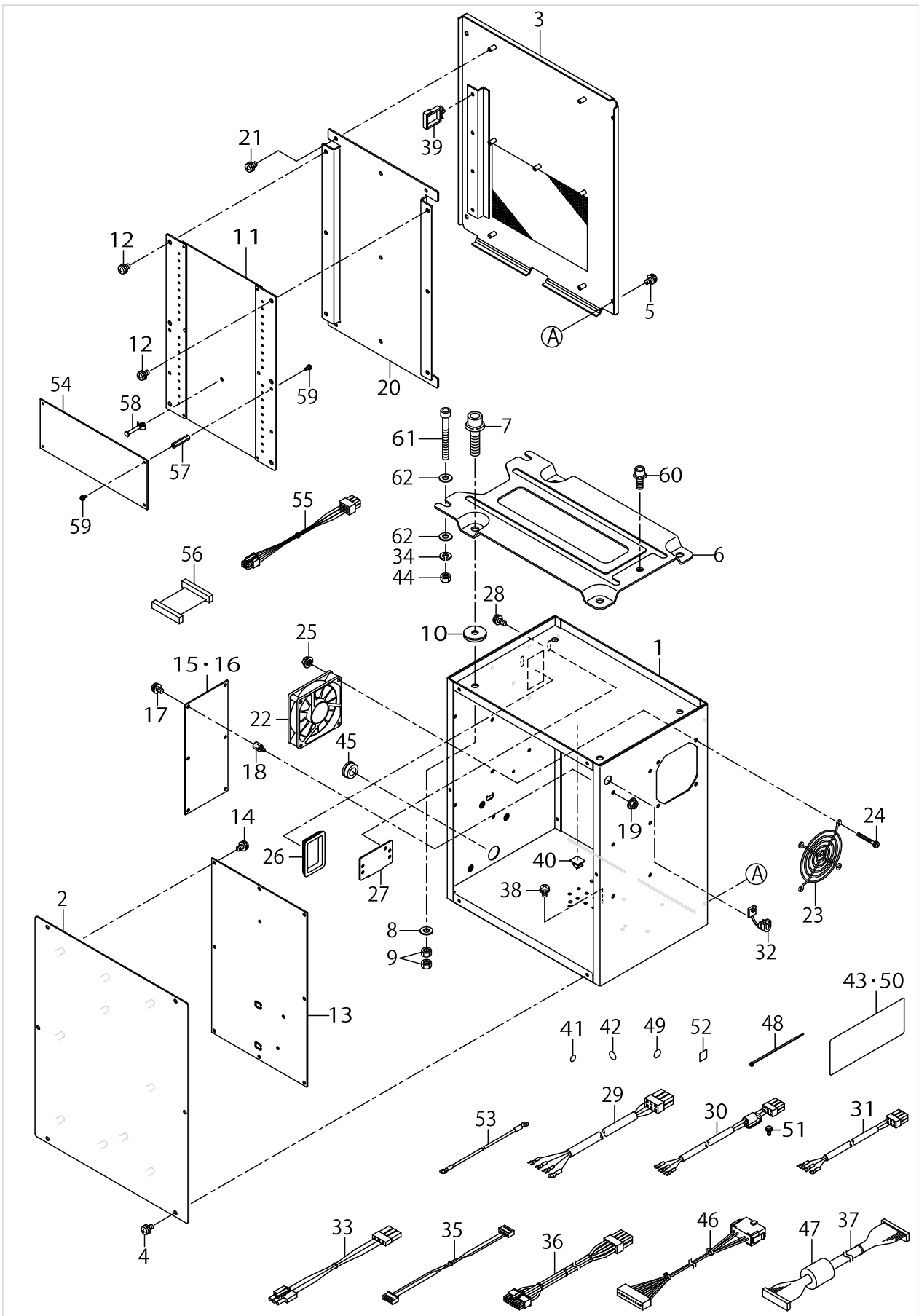
OPERATION PANEL COMPONENTS



OPERATION PANEL COMPONENTS

No.	Parts No.	Parts name	Remarks	Level	Cons	Qty
1	40086485	IP-420F PANEL ASSY				1
2	40078163	FRONT_CASE		*		1
3	40080799	REAR_CASE_ASSY		*		1
4	40080800	LCD_ASSY		*		1
5	40086541	LCD TOUCH PANEL ASSY	TECHNICAL INFOMATION (A16-029)	*		1
6	40083668	LCD_BRACKET	TECHNICAL INFOMATION (A16-029)	*		1
7	40083666	LCD_STAY		*		1
8	SL4030681SC	SCREW M3 L=6		*		2
9	40078168	INSULATION_SHEET		*		1
10	40083960	PANEL PCB ASSY		*		1
11	SL4030681SC	SCREW M3 L=6		*		3
12	HX00354000B	PCB SUPPORT L=8MM		*		2
13	SL4030881SC	SCREW M3X8		*		4
14	CM600100101	WEEE MARK LABEL S		*		1
15	HW002180200	FLAT CABLE		*		1
16	HA005820000	SWITCH				1
17	SL4041091SE	SCREW M4 L=10				2
18	40074051	OPTION A ASSY				1
19	M300451100A	VOLTAGE INDICATION CARD A		*		1
20	HF00130315S	FUSE 3.15A 250V REF. NO.112		*		1
21	HF003000200	FUSE 2A (220/240V)		*		1
22	HF0013050P0	FUSE 5A		*		1
23	CM300100401	LABEL 3 (LARGE)	FOR USE IN JAPAN(1-PHASE)			1
24	CM300100401	LABEL 3 (LARGE)	FOR USE IN JAPAN,JA			1
25	BME01100000	VOLTAGE INDICATION SEAL	FOR USE IN JAPAN(1-PHASE)			1
26	BME03200000	VOLTAGE INDICATION SEAL	FOR USE IN JAPAN,JA			1
27	CM300100003	VOLTAGE WARNING LABEL(25)	FOR JE,GENERAL EXPORT			1
28	CM300400701	VOLTAGE CAUTION LABEL	FOR USE IN JAPAN,JA			1
29	CM300400601	VOLTAGE CAUTION LABEL	FOR JE,GENERAL EXPORT			1
30	40086468	POWER CABLE 1P PLUG ASSY	FOR USE IN JAPAN(1-PHASE)			1
31	M90345800A0	GROUND CORD ASM.	FOR USE IN JAPAN(1-PHASE)			1
32	40096034	POWER CABLE 3P ASSY	FOR USE IN JAPAN,JA			1
33	40096035	POWER CABLE 1P ASSY	FOR JE,GENERAL EXPORT			1
34	40096051	PANEL CABLE L ASM				1
35	SK3413201SE	WOOD SCREW D=4.1 L=32				2
36	40035024	OPERATION_BOX_FIXED_PLATE(B) ASM				1

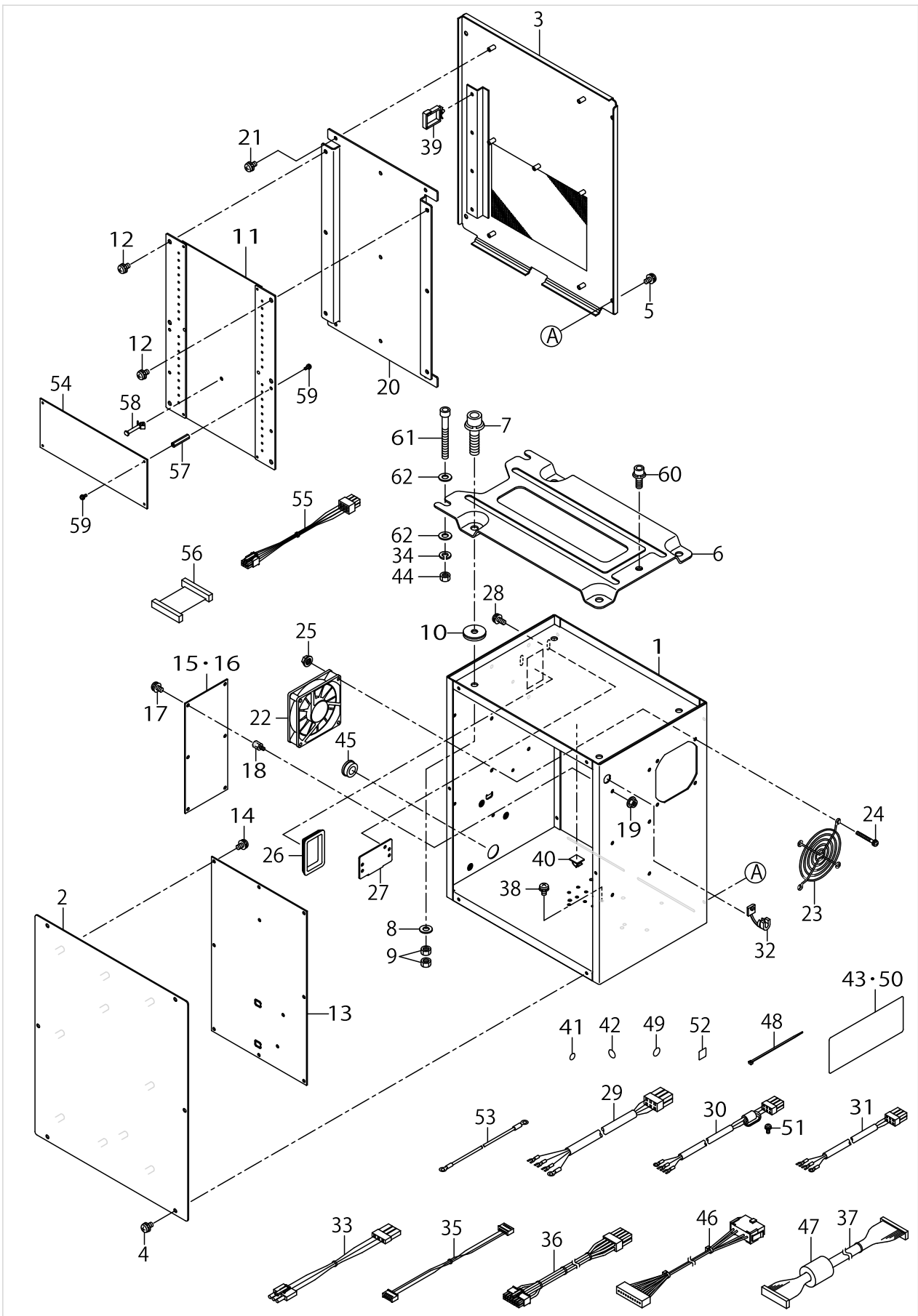
CONTROL BOX COMPONENTS



CONTROL BOX COMPONENTS

No.	Parts No.	Parts name	Remarks	Level	Cons	Qty
1	40055355	CONTROL BOX				1
2	40055356	CONTROL BOX FRONT COVER				1
3	40055357	CONTROL BOX REAR COVER				1
4	SL4040891SC	SCREW M4 L=8				6
5	SL4040891SC	SCREW M4 L=8				4
6	M3801476000	CONTROL BOX FITTING PLATE				1
7	SL6083092TN	SCREW				4
8	WP0841601SC	WASHER 8.4X17.4X1.6				4
9	NM6080001SC	NUT M8X1.25				8
10	M4206461000	WASHER				4
11	40108274	MAIN PCB C ASSY				1
12	SL4040891SC	SCREW M4 L=8				6
13	40082758	SDC PCB A ASSY				1
14	SL4040881SC	SCREW M4 L=8				10
15	40000056	FLT-T PCB A ASS'Y	FOR USE IN JAPAN (1-PHASE 10-0V,1-PHASE 200V), JUS(3-PHASE 200V)			1
16	40000046	FLT-S PCB A ASS'Y	FOR CE,GENERAL EXPORT			1
17	SL4040881SC	SCREW M4 L=8				6
18	HX003390000	STUD				6
19	NM3040520SC	NUT M4				6
20	40005706	MAIN PCB HOLDER PLATE				1
21	SL4040881SC	SCREW M4 L=8				5
22	40005401	FAN MOTOR ASS'Y				1
23	KM000000480	FAN MOTOR				1
24	SL4043591SC	SCREW				4
25	NM3040520SC	NUT M4				4
26	HX004070000	BUSH				1
27	17845009	CORD FITTING PLATE				1
28	SL4041091SC	SCREW M4 L=10				2
29	40096030	POWER CORD 3P ASSY	FOR USE IN JAPAN (1-PHASE 10-0V,1-PHASE 200V), JUS(3-PHASE 200V)			1
30	40096031	POWER CORD JE ASSY	FOR CE			1
31	40096032	POWER CORD 1P ASSY	GENERAL EXPORT			1
32	HX00410000A	STRAIN RELIEF BUSHING				1
33	40005393	FLT-SDC CORD P ASS'Y				1
34	WS0820002KN	SPRING WASHER M8				2
35	40005394	FLT-SDC CORD S ASS'Y				1
36	40005726	SDC-MAIN CORD P ASSY				1
37	40005727	SDC-MAIN CORD S ASSY				1
38	SL4040891SC	SCREW M4 L=8				4
39	HX005110000	WIRE SADDLE				3
40	E9607603000	STICKER (SMALL)				1
41	E9567319000	EARTH MARK				1
42	40003458	MASK SEAL				16
43	40051640	ELECTRICAL_RATING_LABEL_UNIVERSAL	FOR USE IN JAPAN (1-PHASE 10-0V,1-PHASE 200V), JUS(3-PHASE 200V), GENERAL EXPORT			1
44	NM6080001SC	NUT M8X1.25				2
45	HX00326000K	GROMMET				1

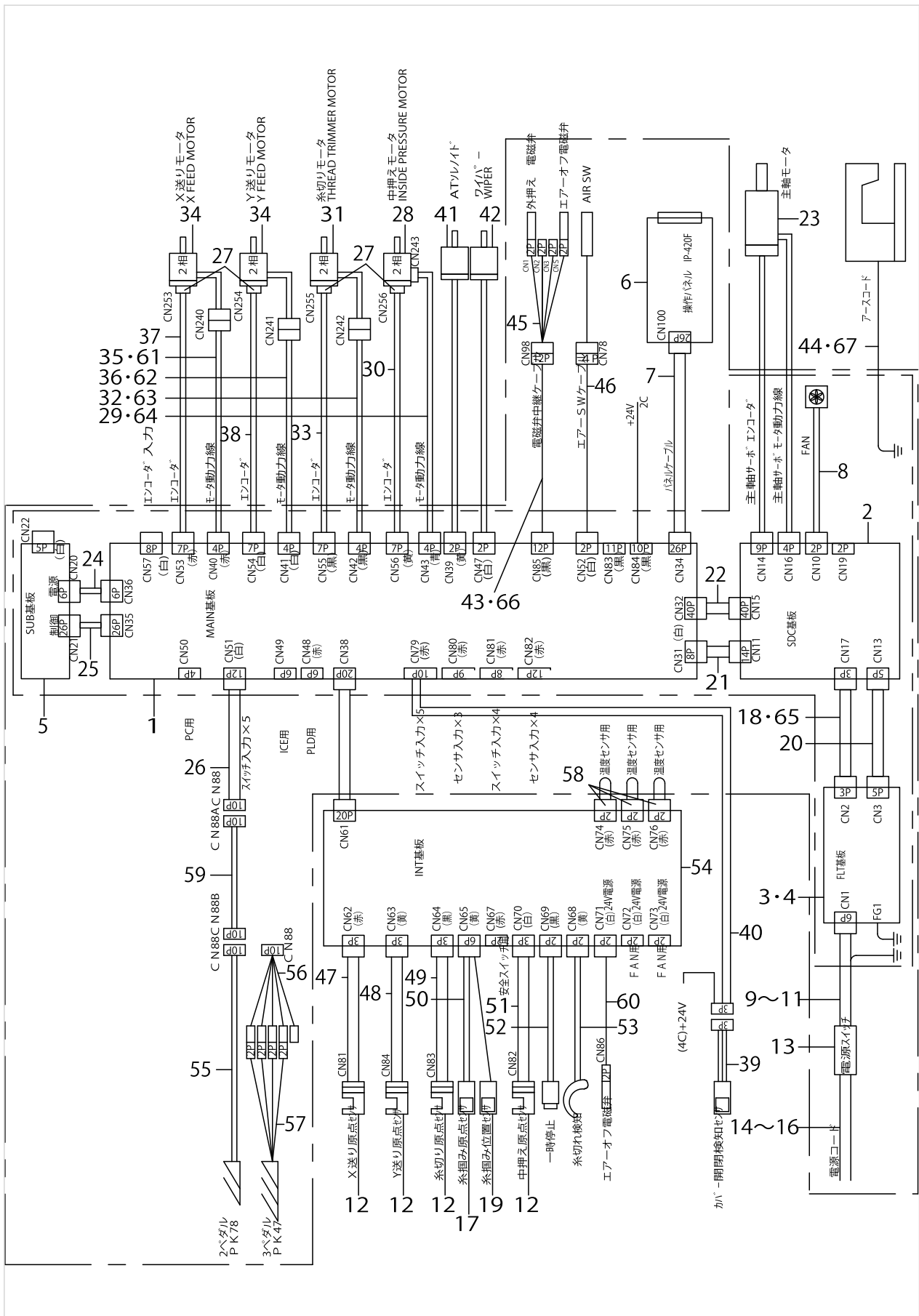
CONTROL BOX COMPONENTS



CONTROL BOX COMPONENTS

No.	Parts No.	Parts name	Remarks	Level	Cons	Qty
46	40073659	SW RELAY CORD ASM.				1
47	HN001490000	CLAMP FILTER(L)				1
48	EA9500B0100	CABLE BAND				1
49	CM200100001	PE MARK LABEL	FOR CE			1
50	40057278	ELECTRICAL_RATING_LABEL_CE_UNIVERSAL	FOR CE			1
51	SL4041081SC	SCREW M4 L=10	FOR CE			1
52	CM600100101	WEEE MARK LABEL S	FOR CE			1
53	M90295800A0	FDD EARTH CORD ASM.				1
54	40073651	SUB PCB ASSY				1
55	40062367	SUB-MAIN CORD P ASSY				1
56	40062368	SUB-MAIN CORD S ASSY				1
57	HX00418000E	SPACER				4
58	HX00147000J	SPACER				1
59	SL4030881SC	SCREW M3X8				8
60	SL6082092TN	BOLT				1
61	SM6087002TN	SCREW M8 L=70				2
62	WP0841601SC	WASHER 8.4X17.4X1.6				4

WIRING DIAGRAM



WIRING DIAGRAM

No.	Parts No.	Parts name	Remarks	Level	Cons	Qty
1	40108274	MAIN PCB C ASSY				1
2	40082758	SDC PCB A ASSY				1
3	40000056	FLT-T PCB A ASS'Y	FOR 1-PHASE/3-PHASE			1
4	40000046	FLT-S PCB A ASS'Y	FOR CE,GENERAL EXPORT			1
5	40073651	SUB PCB ASSY				1
6	40086485	IP-420F PANEL ASSY				1
7	40096051	PANEL CABLE L ASM				1
8	40005401	FAN MOTOR ASS'Y				1
9	40096030	POWER CORD 3P ASSY	FOR 1-PHASE/3-PHASE			1
10	40096031	POWER CORD JE ASSY	FOR CE			1
11	40096032	POWER CORD 1P ASSY	GENERAL EXPORT			1
12	HD00057000A	PHOTO SENSOR				3
13	HA005820000	SWITCH				1
14	40086468	POWER CABLE 1P PLUG ASSY	FOR USE IN JAPAN (1-PHASE 100V)			1
15	40096034	POWER CABLE 3P ASSY	FOR 3-PHASE			1
16	40096035	POWER CABLE 1P ASSY	FOR CE,GENERAL EXPORT			1
17	HD00204000A	SENSOR				1
18	40005393	FLT-SDC CORD P ASS'Y				1
19	HD00204000B	SENSOR				1
20	40005394	FLT-SDC CORD S ASS'Y				1
21	40005726	SDC-MAIN CORD P ASSY				1
22	40005727	SDC-MAIN CORD S ASSY				1
23	40052937	550W_SERVO_MOTOR				1
24	40062367	SUB-MAIN CORD P ASSY				1
25	40062368	SUB-MAIN CORD S ASSY				1
26	40073659	SW RELAY CORD ASM				1
27	HD002780000	SENSOR				4
28	40103969	ENCODER MOTOR ASM.(IP)				1
29	40073623	IP MOTOR CABLE ASM				1
30	40073640	IP ENCODER CABLE ASM				1
31	40103968	ENCODER MOTOR ASM.(TC)				1
32	40073622	TT MOTOR CABLE ASM				1
33	40073639	TT ENCODER CABLE ASM				1
34	40104419	ENCODER MOTOR ASM.(X-Y)				2
35	40073620	X MOTOR CABLE ASM				1
36	40073621	Y MOTOR CABLE ASM				1
37	40073632	X ENCODER CABLE ASM				1
38	40073638	Y ENCODER CABLE ASM				1
39	40141483	COVER SENSOR ASSY				1
40	40174539	SHUTTLE COVER SENSOR CABLE ASM				1
41	40073660	AT SOLENOID				1
42	40072151	WIPER ASM				1
43	40108280	AIR RELAY CABLE ASM				1
44	14115554	HEAD GROUND CABLE A ASM.				1
45	40048529	VALVE RERAY CORD ASM				1
46	40075391	AIR SW CABLE ASM				1

WIRING DIAGRAM

No.	Parts No.	Parts name	Remarks	Level	Cons	Qty
47	40073671	X SENSOR CABLE ASM				1
48	40073672	Y SENSOR CABLE ASM				1
49	40040238	PF_SENSOR_CABLE_ASM				1
50	40073674	TH SENSOR ASM				1
51	40073675	IP_SENSOR_CABLE_ASM.				1
52	40073676	STOP SW ASM				1
53	40073678	THB SENSOR CABLE ASM				1
54	40040230	INT PCB ASM				1
55	40033831	PK78 PEDAL SWITCH ASM				1
56	40033875	PK47 RELAY CABLE ASM	OPTIONAL PARTS			1
57	GPK470010AB	3-PEDAL ASM.	OPTIONAL PARTS			1
58	40040237	SHORT CONNECTOR				3
59	40111079	PEDAL EXTENSION CABLE ASM.				1
60	40090484	VALVE CORD ASM.				1
61	40163253	X MOTOR CABLE ASM	FOR CE			1
62	40163254	Y MOTOR CABLE ASM	FOR CE			1
63	40163255	TT MOTOR CABLE ASM	FOR CE			1
64	40163256	IP MOTOR CABLE ASM	FOR CE			1
65	40163025	REACTOR CORD ASSY	FOR CE			1
66	40163258	AIR RELAY CABLE ASM.	FOR CE			1
67	40163063	EARTH CODE ASM	FOR CE			1

TABLE COMPONENTS

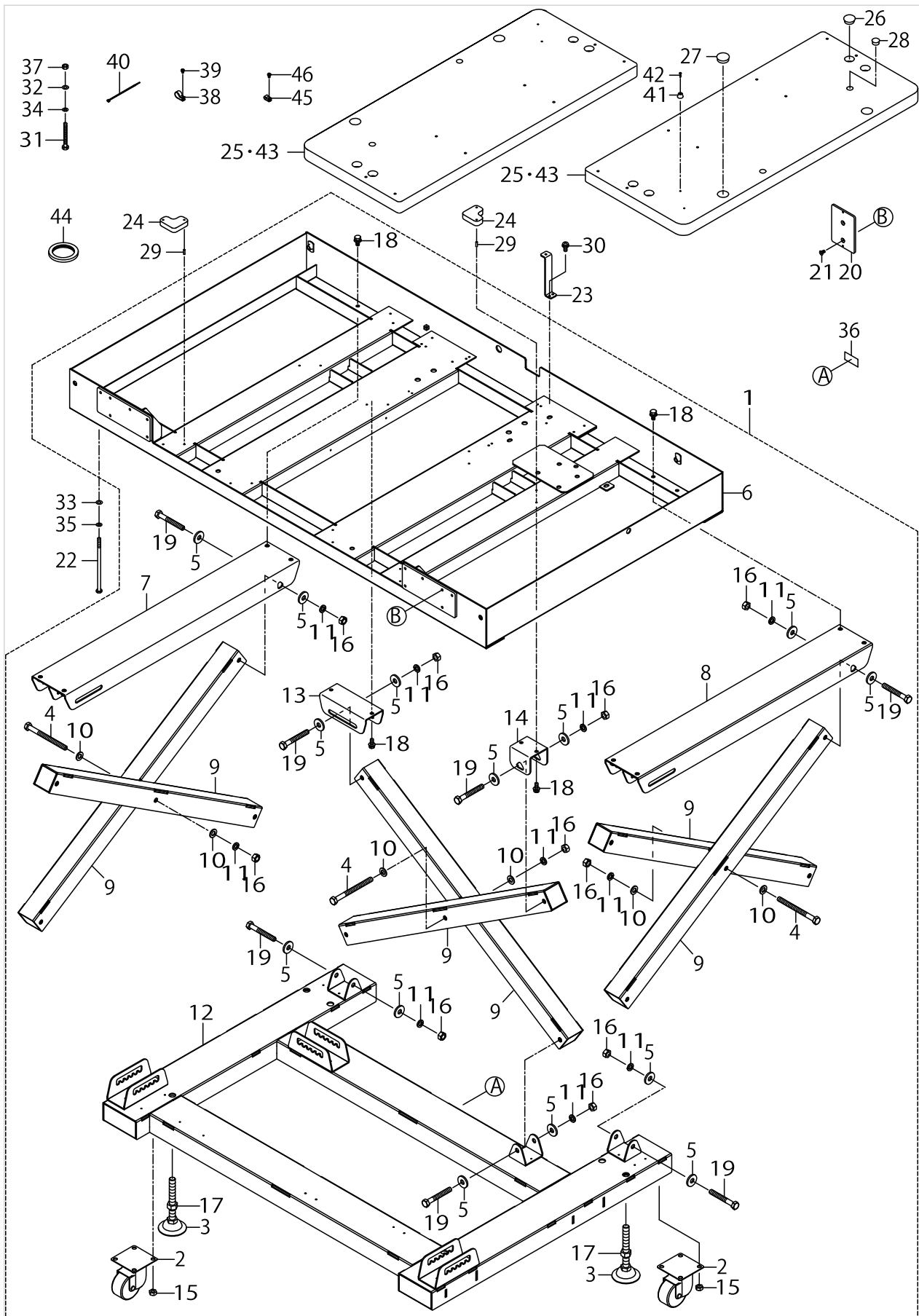


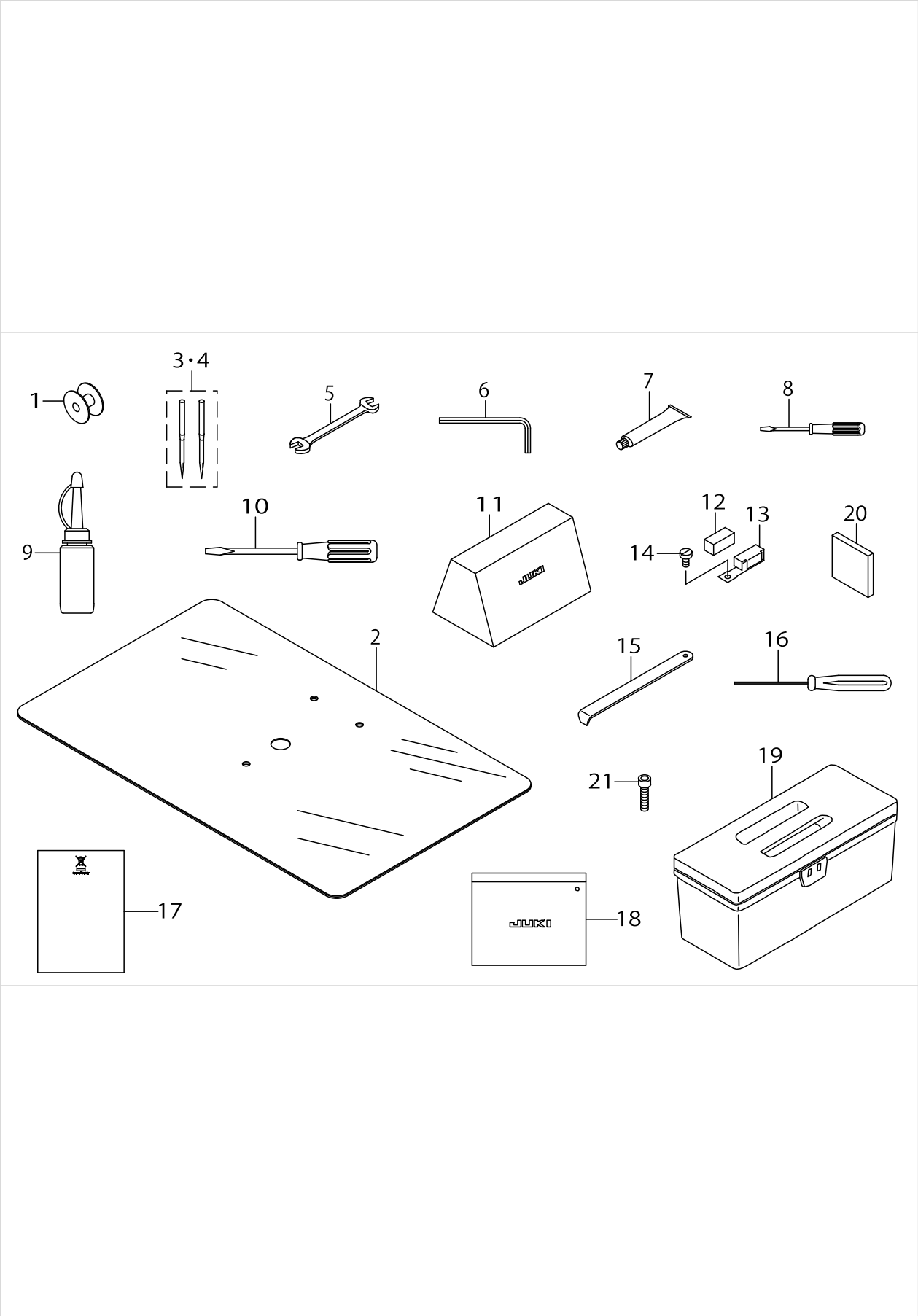
TABLE COMPONENTS

No.	Parts No.	Parts name	Remarks	Level	Cons	Qty
1	40072145	STAND ASM				1
2	40072077	CASTER		*		4
3	40072087	ADJUSTER		*		4
4	40072206	BOLT		*		3
5	40072223	WASHER LARGE		*		24
6	40073222	UPPER_STAND		*		1
7	40073224	TOP_BASE_L		*		1
8	40073225	TOP_BASE_R		*		1
9	40073226	CROSS_LEG		*		6
10	WP1302501SC	WASHER 13X24X2.5		*		6
11	WS1220002KN	SPRING WASHER		*		15
12	40073227	BASE		*		1
13	40073230	BRACKET_BT		*		1
14	40073231	BRACKET_B		*		1
15	NM6100001SE	NUT FOR SPRING ADJUSTING BOLT		*		16
16	NM6120001SE	NUT M12		*		15
17	NM6160001SC	NUT		*		4
18	SL9082093SE	SCREW		*		12
19	SM9129013SB	SCREW M12 L=90		*		12
20	40073216	SW_BASE_JE				1
21	SM1061201SN	SCREW M6 L=12				2
22	B8117223C00	BOLT				4
23	B8118223C00	COVER INSTALLING STAY				4
24	B8171220000	RUBBER ABSORBER				4
25	40072146	TABLE				2
26	HX00326000B	BUSH				5
27	HX00326000M	DOME PLUG				3
28	HX00326000G	PLUG				3
29	PS0400141KH	SPRING PIN 4X14				8
30	SL4041091SC	SCREW M4 L=10				8
31	SM9087533SC	SCREW M8 L=75				2
32	WP0841601SC	WASHER 8.4X17.4X1.6				2
33	WP0841601SC	WASHER 8.4X17.4X1.6				4
34	WS0820002KN	SPRING WASHER M8				2
35	WS0820002KN	SPRING WASHER M8				4
36	16870206	GRAVITY SEAL				2
37	NM6080001SC	NUT M8X1.25				2
38	HX00150000H	CABLE CLIP				3
39	SL4040891SC	SCREW M4 L=8				3
40	EA9500B0100	CABLE BAND				2
41	40072231	STOPPER_RUBBER				2
42	SK3271301SE	WOOD SCREW D=2.7 L=13				2
43	40089584	TABLE ASM.	FOR CA			2
44	40090431	RUBBER				4
45	HX00150000B	CABLE CLIP				1
46	SL4041091SC	SCREW M4 L=10				1

PEDAL COMPONENTS

No.	Parts No.	Parts name	Remarks	Level	Cons	Qty
1	40033831	PK78 PEDAL SWITCH ASM.				1
2	40042352	MECHANICAL VALVE UNIT				1
3	D8001D15A0Y	PEDAL BASE		*		1
4	WP0450801SD	WASHER 4.5X10X0.8		*		2
5	WS0451040KP	SPRING WASHER 4.5X8.5X1		*		2
6	SS7111120TP	SCREW		*		2
7	SS6111210SP	SCREW 11/64-40 L=12		*		2
8	WP0450801SD	WASHER 4.5X10X0.8		*		2
9	WS0451040KP	SPRING WASHER 4.5X8.5X1		*		2
10	WP0553216SD	WASHER		*		2
11	PX020002000	ACTUATOR		*		1
12	PV010502000	AIR VALVE		*		1
13	PJ301040501	HALF UNION M5 D=4		*		6
14	PX500014000	PLUG		*		2
15	BT0400251EB	URETHANE HOSE BLACK		*		1.9
16	BT0400251EB	URETHANE HOSE BLACK		*		1.8
17	BT0400251EB	URETHANE HOSE BLACK		*		1.9
18	HX00314000A	SPIRAL TUBE		*		0.6
19	EA9500B0100	CABLE BAND		*		3
20	GEP01013000	VALVE		*		1
21	BT0400251EB	URETHANE HOSE BLACK		*		0.1
22	BT0400251EB	URETHANE HOSE BLACK		*		0.1
23	18035204	WIRE MARK (3)		*		2
24	18035303	WIRE MARK (4)		*		1
25	18035600	WIRE MARK (7)		*		2
26	18035709	WIRE MARK (8)		*		1
27	PJ308040002	QUICK COUPLING		*		2
28	D8002D15A0Y	PEDAL CUSHION		*		2
29	PJ303040002	STRAIGHT UNION				3
30	BT0400251EB	URETHANE HOSE BLACK				1.6
31	BT0400251EB	URETHANE HOSE BLACK				1.6
32	BT0400251EB	URETHANE HOSE BLACK				1.6
33	18035204	WIRE MARK (3)				1
34	18035709	WIRE MARK (8)				1
35	18035600	WIRE MARK (7)				1
36	40111079	PEDAL EXTENSION CABLE ASM.				1
37	HX00150000E	CORD PRESSER 3-POLE (220/240V)				1
38	SL4040891SC	SCREW M4 L=8				2

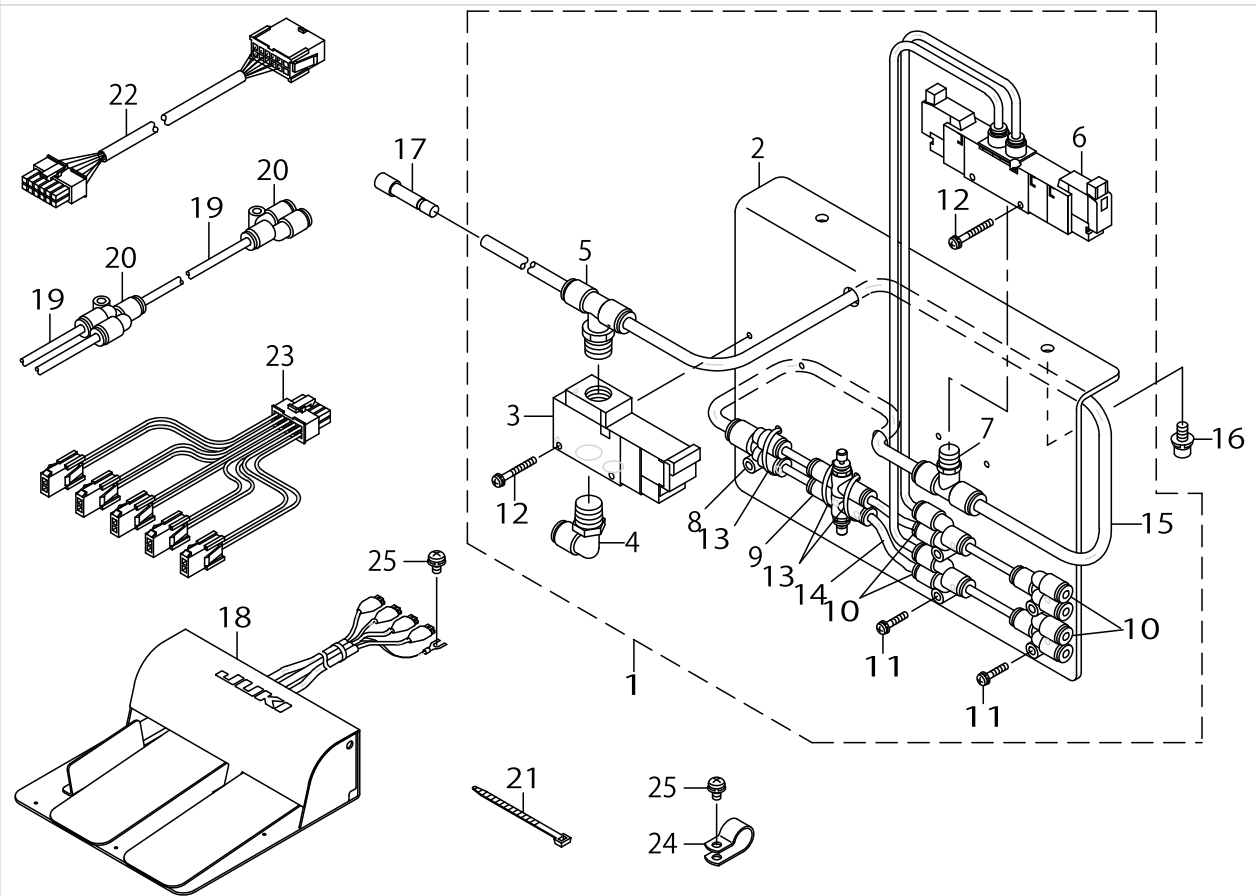
ACCESSORIE PARTS COMPONENTS



ACCESSORIE PARTS COMPONENTS

No.	Parts No.	Parts name	Remarks	Level	Cons	Qty
1	D9117141E00	BOBBIN			☆	1
2	40072082	COVER SHEET(4530)	FOR ST			1
3	MDP170B2302	NEEDLE DPX17#23-2	FOR ST		☆	1
4	MC372001602	NEEDLE SY3355 #160-2	FOR JE		☆	1
5	B9113012000	WRENCH (9X10)				1
6	B9140372000	HEXAGONAL WRENCH SMALL				1
7	40006323	JUKI GREASE A TUBE				1
8	22933204	SCREW DRIVER SMALL				1
9	B91212200A0	OILER (CONTAINING NO.2 OIL)				1
10	22933105	SCREW DRIVER MIDDLE				1
11	40072154	COVER				1
12	B1131528000	FELT				1
13	10102200	THREAD GUIDE F				1
14	SM6040860TP	SCREW M4 L=8				1
15	B9101490000	DRIVER				1
16	40032763	HEXAGONAL_DRIVER(1.5)				1
17	CM600100201	WEEE INFORMATION SHEET	FOR JE			1
18	22932800	ACCESSORIE BAG				1
19	B8601WP10A0	TOOL BOX ASM.				1
20	40050647	COMPACTFLASH(TM) SET AMS-221E				1
21	SM6052002TP	SCREW M5 L=20				1

SEPARATE STROKE TYPE EXCLUSIVE PARTS



SEPARATE STROKE TYPE EXCLUSIVE PARTS

No.	Parts No.	Parts name	Remarks	Level	Cons	Qty
1	40076736	SOLENOID_INSTALLING_PLATE_A_ASM.				1
2	40076738	SOLENOID_INSTALLING_PLATE		*		1
3	PV135207000	3-PORT ELECTROMAGNETIC VALVE		*		1
4	PJ304065201	ELBOW UNION 6XPT1/4		*		1
5	PJ305065204	DOUBLE-ENDED T UNION		*		1
6	PV155113000	5-PORT SOLENOID VALVE		*		1
7	PJ305065107	DOUBLE-ENDED T UNION		*		1
8	PJ308060005	DIFFERENT DIAMETER UNION Y		*		1
9	PC012406000	SPEED CONTROLLER		*		2
10	PJ308040002	QUICK COUPLING		*		4
11	SL4031691SC	SCREW M3 L=16		*		4
12	SL4032591SC	SCREW M3X25		*		4
13	EA9500B0100	CABLE BAND		*		3
14	BT0400251EB	URETHANE HOSE BLACK		*		0.6
15	BT0600401EB	TUBE		*		1.1
16	SL6051292TN	BOLT				2
17	PX950001000	PLUG				1
18	GPK470010AB	3-PEDAL ASM.				1
19	BT0400251EB	URETHANE HOSE BLACK				1.7
20	PJ308040002	QUICK COUPLING				4
21	EA9500B0100	CABLE BAND				3
22	40074127	AIR EXTENSION CODE ASM.				1
23	40033875	PK47 RELAY CABLE ASM				1
24	HX00150000E	CORD PRESSER 3-POLE (220/240V)				1
25	SL4040891SC	SCREW M4 L=8				2

HOW TO MAKE USE OF THIS PARTS LIST

1.As to "#01" and "#02" refer to the "Note" given at the bottom of the respective pages.

2.Codes on the "Qty" column

- Each numeral indicates the number of parts required.
- "0.1" and "2.5" indicate the length (in meters) of the respective parts.

3.Parentheses mean that the corresponding part is a subpart that constructs an assembly part.

4.Dotted lines on the Figures indicate assembly parts.

5.As to the parts with marks of "☆"(Consumable parts)and "◎"(optional parts)on the respective parts, it is recommended to prepare spares.

1. リストページの#01、#02の印は、ページ下の"注記"の説明を参照下さい。
2. 数量欄の数字は、個数を表し、0.1、2.5等の数値は、長さ（単位メートル）を表します。
3. 数量欄の（ ）は、組部品を構成している子部品であることを意味します。
4. イラストページの-----枠は、組構成であることを意味します。
5. リストページの"☆"（消耗部品）、"◎"（オプション部品）の印が付いた部品は、予備を準備しておくことをお奨めします。

NUMERICAL INDEX OF PARTS

PART NO	PAGE	REF NO.	PART NO	PAGE	REF NO.	PART NO	PAGE	REF NO.
10102200	70	13	22933204	70	8	40005401	62	8
10126704	26	9	22955504	32	35	40005706	58	20
10502300	2	35	22955900	32	7	40005726	58	36
11072402	2	47	22956007	32	8	40005726	62	21
12209706	10	77	22956908	32	14	40005727	58	37
12219705	26	14	23517501	36	4~7	40005727	62	22
13122403	18	23	23517600	36	4~7	40006323	70	7
13122452	18	22	23517709	36	4~7	40006484	2	37
13167903	54	33	23517808	36	4~7	40006515	16	50
13168000	54	34	23604200	14	2	40006516	16	52
13168109	54	26	23610108	18	39	40006516	30	66
13168208	54	27	23618606	28	7	40006617	34	5
13518501	30	55	23618606	40	35	40006622	34	25
13705108	2	21	23630007	30	70	40006625	34	4
13887005	42	88	26023408	48	4	40006666	36	21
14113450	4	49	26211904	2	12	40006836	2	43
14113468	2	46	26218602	34	31	40006840	2	45
14115554	6	31	26221200	8	46	40006840	30	68
14115554	62	44·67	26226001	22	42	40010415	14	5
14432504	30	56	26230706	26	20	40010418	14	7
14435705	28	20	26260109	6	5	40010422	14	9
14435804	26	34	26260208	6	6	40010423	14	10
14439608	36	25	26260307	6	7	40010424	14	11
14440309	36	27	26260406	6	8	40010425	14	12
14440457	36	28	26260505	6	9	40010426	14	13
14440556	36	29	26260604	6	10	40010427	14	14
16870206	66	36	26260703	6	11	40010434	14	33
17845009	58	27	26260802	6	12	40010443	38	49
18035204	68	33	26261206	6	16	40010477	34	6
18035303	68	24	26261305	6	17	40010478	34	41
18035600	68	35	26261503	6	18	40010479	34	8
18035709	68	34	26261602	6	19	40010487	34	17
22891006	14	25	26261701	6	20	40010489	34	23
22891204	14	34	26910059	54	25	40010490	34	20
22901409	16	62	40000046	58	15·16	40010497	34	21
22901805	6	3	40000046	62	3·4	40010498	34	22
22902506	2	4	40000056	58	15·16	40010499	34	24
22907505	18	45	40000056	62	3·4	40010503	34	27
22907554	18	44	40003458	58	42	40010504	34	30
22907604	18	46	40003970	22	46	40010509	34	34
22920508	2	16	40005393	58	33	40010510	34	35
22921506	34	29	40005393	62	18·65	40010511	34	36
22928808	34	28	40005394	58	35	40010512	34	37
22932800	70	18	40005394	62	20	40010513	34	38
22933105	70	10	40005401	58	22	40010514	34	39

NUMERICAL INDEX OF PARTS

PART NO	PAGE	REF NO.	PART NO	PAGE	REF NO.	PART NO	PAGE	REF NO.
40010515	34	40	40028835	2	31	40042352	68	2
40010521	34	43	40028877	2	28	40043321	24	53
40010522	34	44	40029411	34	32	40044053	14	46
40010523	34	33	40029412	34	42	40044053	30	62
40010533	16	54	40029419	18	36	40048529	62	45
40012965	18	19	40029420	22	5	40050647	70	20
40013640	6	29	40029420	28	45	40051473	14	42
40023624	20	58	40030615	22	15	40051501	10	61
40023624	36	13	40030616	20	65	40051640	58	43·50
40023631	20	49	40030617	18	4	40051769	50	49
40023635	48	5	40030620	18	31	40051770	48	43
40023644	48	2	40030621	20	55	40051987	2	40
40023866	6	14	40030623	18	47	40052937	16	60
40023993	34	12	40030625	22	1	40052937	62	23
40023999	34	15	40030626	22	2	40055355	58	1
40024988	18	29	40030627	22	3	40055356	58	2
40024989	22	24	40030628	20	62~64	40055357	58	3
40024991	18	40	40030629	20	62~64	40057278	60	43·50
40024997	8	41	40030630	20	62~64	40058949	10	92
40024999	2	6	40030828	2	8	40062367	60	55
40025011	18	13	40030936	36	1	40062367	62	24
40025012	18	5	40030956	32	6	40062368	60	56
40025014	10	54	40031336	6	28	40062368	62	25
40025016	22	31	40032158	2	1	40068833	18	14
40025030	22	36	40032159	2	26	40068834	18	28
40025414	2	14	40032179	22	7	40068835	18	7
40025415	18	8	40032180	22	17	40072074	8	12
40025418	22	33	40032181	22	22	40072076	8	15
40025419	22	47	40032229	48	13	40072077	66	2
40025420	22	44	40032343	34	11	40072078	8	25
40025423	22	8	40032345	34	14	40072079	8	20
40025426	22	27	40032483	22	6	40072080	8	21
40025427	18	2	40032763	70	16	40072081	8	19
40025428	18	11	40033831	64	55	40072082	70	2
40025429	18	26	40033831	68	1	40072086	14	8
40025431	18	1	40033875	64	56	40072087	66	3
40025440	32	36	40033875	72	23	40072088	30	48
40026817	22	4	40035024	56	36	40072103	30	51
40026819	22	9	40037500	32	32	40072107	36	15
40026882	16	57	40037501	32	33	40072111	34	26
40026884	16	61	40040230	10	62	40072112	40	13
40026979	2	3	40040230	64	54	40072113	40	2
40027870	22	37	40040237	64	58	40072114	40	12
40027971	2	11	40040238	64	49	40072115	40	3
40028834	2	30	40040256	36	8	40072116	40	14

NUMERICAL INDEX OF PARTS

PART NO	PAGE	REF NO.	PART NO	PAGE	REF NO.	PART NO	PAGE	REF NO.
40072117	40	15	40072206	66	4	40073678	64	53
40072118	40	16	40072207	28	3	40074051	56	18
40072119	40	17	40072208	30	49	40074127	72	22
40072120	40	23	40072209	42	72	40075391	62	46
40072122	40	24	40072211	36	45	40076294	32	41
40072124	40	27	40072212	10	81	40076736	72	1
40072125	40	28	40072213	10	80	40076738	72	2
40072126	40	29	40072214	10	79	40077604	16	55
40072127	42	81	40072220	52	1	40077605	16	56
40072128	40	21	40072223	66	5	40077925	20	56
40072129	40	20	40072226	40	10	40078079	14	35
40072130	40	4	40072227	42	94	40078083	14	27
40072131	40	33	40072228	36	10	40078088	14	23
40072133	42	74	40072231	66	41	40078106	14	22
40072135	48	1	40072233	14	39	40078113	20	57
40072136	48	28	40072244	10	49	40078133	18	43
40072138	48	46	40073216	66	20	40078135	14	29-30
40072143	8	23	40073222	66	6	40078160	14	43
40072145	66	1	40073224	66	7	40078163	56	2
40072146	66	25-43	40073225	66	8	40078168	56	9
40072151	62	42	40073226	66	9	40080799	56	3
40072152	40	9	40073227	66	12	40080800	56	4
40072154	70	11	40073230	66	13	40082017	10	88
40072155	46	5	40073231	66	14	40082758	58	13
40072156	40	26	40073620	62	35-61	40082758	62	2
40072160	40	1	40073621	62	36-62	40083666	56	7
40072161	50	52	40073622	62	32-63	40083668	56	6
40072163	48	40	40073623	62	29-64	40083960	56	10
40072166	40	5	40073632	62	37	40085784	54	2
40072167	40	7	40073638	62	38	40085785	54	3
40072168	40	8	40073639	62	33	40085786	54	4
40072169	40	6	40073640	62	30	40085787	54	5
40072171	40	18	40073651	60	54	40085788	54	6
40072173	28	9	40073651	62	5	40085789	54	7
40072174	8	18	40073659	60	46	40085790	54	8
40072175	10	52	40073659	62	26	40085791	54	9
40072176	10	51	40073660	34	1	40085792	54	10
40072177	10	60	40073660	62	41	40085793	54	11
40072178	10	59	40073671	64	47	40085794	54	12
40072179	10	53	40073672	64	48	40085795	54	13
40072184	8	17	40073674	64	50	40085796	54	16
40072186	10	69	40073675	64	51	40085820	48	14
40072191	8	16	40073676	2	33	40085824	48	34
40072193	10	68	40073676	64	52	40085830	48	33
40072195	8	22	40073678	2	25	40086349	32	11

NUMERICAL INDEX OF PARTS

PART NO	PAGE	REF NO.	PART NO	PAGE	REF NO.	PART NO	PAGE	REF NO.
40086350	32	9	40103969	62	28	40173341	26	6
40086351	32	28	40104419	46	11	40173342	36	23
40086352	32	15	40104419	62	34	40173343	36	31
40086353	32	10	40108274	58	11	40173344	26	8
40086354	32	27	40108274	62	1	40174539	12	98
40086355	32	5	40108280	62	43·66	40174539	62	40
40086357	32	12	40111079	64	59	40176021	8	45
40086358	32	13	40111079	68	36	40176341	28	11
40086363	32	1	40135366	26	2	A1230500000A	16	48
40086364	32	4	40135369	36	24	A1230500000A	30	64
40086384	28	6	40135370	36	32	B1111220000A	8	1
40086384	40	34	40141483	10	94	B1114280000	4	53
40086468	56	30	40141483	62	39	B1115220000	8	2
40086468	62	14~16	40142674	8	44	B1120223C00	8	3
40086485	56	1	40163025	64	18·65	B1129210000	2	19
40086485	62	6	40163063	64	44·67	B1131528000	70	12
40086541	56	5	40163253	64	35·61	B1144210000	14	45
40089584	66	25·43	40163254	64	36·62	B1144210000	30	61
40090431	66	44	40163255	64	32·63	B1157215000	8	27
40090432	10	90	40163256	64	29·64	B1158224C00	42	80
40090484	64	60	40163258	64	43·66	B1182223C00	8	24
40090785	8	4	40173310	12	96	B1193223C00	8	26
40091894	32	16	40173311	6	4	B1212210D00	14	44
40096030	58	29	40173312	6	13	B1212210D00	30	60
40096030	62	9~11	40173314	6	15	B1228232000	34	46
40096031	58	30	40173315	14	16	B1408180000	18	32
40096031	62	9~11	40173316	14	17	B14115520A0	16	58
40096032	58	31	40173317	14	18	B1411804A00	26	27~30
40096032	62	9~11	40173318	14	26	B1411804B00	26	27~30
40096034	56	32	40173319	26	4	B1411804C00	26	27~30
40096034	62	14~16	40173320	28	1	B1411804D00	26	27~30
40096035	56	33	40173322	28	15	B1414555000	16	59
40096035	62	14~16	40173323	28	17	B1504210000	48	3
40096051	56	34	40173324	28	18	B151902600G	42	83
40096051	62	7	40173325	28	29	B1601210DOC	20	50
40096186	14	29·30	40173326	28	32	B161121000A	20	48
40096209	14	31·32	40173327	28	34	B1634210D00	20	53
40096325	54	14	40173331	28	39	B1636581A00	18	15~18
40096326	54	17	40173332	28	41	B1636581B00	18	15~18
40096327	54	19	40173333	28	42	B1636581C00	18	15~18
40096354	54	1	40173334	28	43	B1636581D00	18	15~18
40101763	10	50	40173335	28	44	B1641562000	22	41
40103968	36	19	40173336	28	40	B1705850000	14	31·32
40103968	62	31	40173337	26	21	B1802180000	40	47
40103969	22	20	40173339	38	55	B1816215P00	38	48

NUMERICAL INDEX OF PARTS

PART NO	PAGE	REF NO.	PART NO	PAGE	REF NO.	PART NO	PAGE	REF NO.
B1816280000	42	84	B8171220000	66	24	D9117141E00	70	1
B1816280000	48	35	B8202205000	10	84	E2678453000	52	23
B1820210D00	26	15	B8601WP10A0	70	19	E9567319000	58	41
B1821210D00	26	16	B9101490000	70	15	E9607603000	58	40
B1847221D00	26	33	B9113012000	70	5	EA9500B0100	6	37
B1903552000	14	28	B9121012000	10	87	EA9500B0100	24	50
B1908505000	14	19	B91212200A0	70	9	EA9500B0100	26	24
B2107210D00	32	2	B9140372000	70	6	EA9500B0100	44	97
B2107210D0B	32	42	BME01100000	56	25·26	EA9500B0100	52	21
B24142800A0	36	30	BME03200000	56	25·26	EA9500B0100	60	48
B2416280000	36	40	BP500000000	26	17	EA9500B0100	66	40
B2417280000	36	41	BT0400251EB	48	18	EA9500B0100	68	19
B242328000A	36	35~39	BT0400251EB	68	30~32	EA9500B0100	72	21
B242328000B	36	35~39	BT0400251EB	72	19	EA9500B0200	6	38
B242328000C	36	35~39	BT0600401EB	52	8	EA9500B0200	22	23
B242328000D	36	35~39	BT0600401EB	72	15	G5430116000	52	17
B242328000E	36	35~39	BT0700500EA	26	19	G611387500A	10	74
B2525223C00	46	1	CM100100001	6	32	G8124270000	52	14
B2526223C00	46	2	CM200100001	60	49	GAF01007000	16	49
B2534223C00	40	19	CM300100003	56	27	GAF01007000	30	65
B2537221D00	46	4	CM300100401	56	23·24	GEP01013000	68	20
B2539223C00	40	22	CM300200001	4	55	GPK470010AB	64	57
B2548223C00	40	30	CM300200001	50	56	GPK470010AB	72	18
B2549223C00	40	31	CM300400601	56	28·29	HA005820000	56	16
B2560220000	48	47	CM300400701	56	28·29	HA005820000	62	13
B2563215000	50	57	CM301200001	6	1	HA006000000	32	19
B2567223C00	48	31	CM600100101	6	33	HD00057000A	24	48
B2567223CA0	48	30	CM600100101	56	14	HD00057000A	36	17
B2568223C00	48	20	CM600100101	60	52	HD00057000A	40	40
B2568224C00	48	27	CM600100201	70	17	HD00057000A	62	12
B2569229000	48	36	CQ200000000	26	18	HD00204000A	62	17
B2626372000	26	13	CQ200000000	30	69	HD00204000B	62	19
B3120372000	2	41	CQ303000000	18	3	HD002780000	62	27
B3126012000	4	50	CS079073ASH	18	33	HF00130315S	56	20~22
B3538112000	26	25	CS0800881TP	22	29	HF0013050P0	56	20~22
B4022221D00	42	79	CS0800971TP	26	31	HF003000200	56	20~22
B471122000C	48	8	CS1000811SP	28	27	HK034610020	32	17
B471122000D	48	9	CS100081CSP	28	26	HK034610040	52	19
B471122000G	48	10	CS1200981TP	42	90	HK034640000	52	20
B471122000H	48	11	D1830141EA0	26	1	HK03464000B	32	18
B47152150A0	52	12	D1837145EAA	26	22	HN001490000	60	47
B8111220000	10	85	D7133555B00	4	51	HN002840000	36	16
B8112220000	10	83	D8001D15A0Y	68	3	HW002180200	56	15
B8117223C00	66	22	D8002D15A0Y	68	28	HW200390000	32	20
B8118223C00	66	23	D9117141E00	26	23	HW500070000	32	21

NUMERICAL INDEX OF PARTS

PART NO	PAGE	REF NO.	PART NO	PAGE	REF NO.	PART NO	PAGE	REF NO.
HX00147000J	60	58	NM6050001SP	40	37	RC0100001KP	28	36
HX00150000A	6	42	NM6080001SC	58	44	RC0370411KP	32	24
HX00150000B	66	45	NM6080001SC	66	37	RC0560711KP	6	21
HX00150000C	38	53	NM6100001SE	66	15	RC0650811KP	18	25
HX00150000D	6	35	NM6120001SE	66	16	RC1200001KP	30	59
HX00150000E	6	41	NM6120011SF	8	5	RC1411018KP	28	25
HX00150000E	68	37	NM6160001SC	66	17	RC3781518KP	18	20
HX00150000E	72	24	NS6090310SP	32	22	RE0300000K0	48	12
HX00150000F	6	34	NS6110310SP	4	48	RE0320000K0	48	25
HX00150000H	6	36	PA1602509A0	48	6	RE0400000K0	6	22
HX00150000H	66	38	PC012401000	48	26	RE0500000K0	32	25
HX002330000	48	19	PC012406000	72	9	RE0600000K0	40	39
HX00307000D	10	89	PF0552040B0	52	13	RE0700000K0	22	35
HX00314000A	68	18	PJ030520001	52	16	RE0900000K0	34	3
HX00326000B	66	26	PJ046052503	48	7	SB104001600	14	21
HX00326000G	66	28	PJ301040501	68	13	SB108000500	22	26
HX00326000K	58	45	PJ301040505	52	3	SB108000500	40	43
HX00326000M	66	27	PJ301060003	52	10	SB108002200	14	20
HX003390000	10	64	PJ301065103	52	6	SB108002300	14	24
HX003390000	58	18	PJ303040002	68	29	SB110000400	28	35
HX00354000B	56	12	PJ304065201	72	4	SB110002400	38	52
HX00364000E	50	53	PJ305065107	72	7	SB112000200	30	57
HX004070000	58	26	PJ305065202	52	15	SB115000600	40	44
HX00410000A	58	32	PJ305065204	72	5	SB117000400	28	2
HX00418000E	60	57	PJ308040002	68	27	SB117000900	40	46
HX005110000	58	39	PJ308040002	72	20	SB117001000	28	5
KM000000480	58	23	PJ308060005	72	8	SB117001100	28	14
M300451100A	56	19	PJ309005203	52	18	SB120000900	14	1
M3801476000	58	6	PS0150065KP	10	67	SB120001700	14	6
M4206461000	58	10	PS0150065KP	48	32	SB120001800	14	4
M90295800A0	60	53	PS0250062KH	8	28	SB130000200	42	48
M90345800A0	56	31	PS0400141KH	66	29	SB130000300	42	49
MC372001600	14	37-38	PS0400142KH	14	47	SB30700020A	16	64~67
MC372001602	70	3-4	PS0400142KH	30	63	SB30700020B	16	64~67
MDP170B2300	14	37-38	PV010502000	68	12	SB30700020C	16	64~67
MDP170B2302	70	3-4	PV1351270A0	52	5	SB30700020D	16	64~67
NM3040520SC	58	25	PV135207000	72	3	SB31000080A	28	21~24
NM3050610SF	8	13	PV150209100	52	4	SB31000080B	28	21~24
NM6040000SN	2	15	PV155113000	72	6	SB31000080C	28	21~24
NM6040001SP	36	9	PV915005000	52	2	SB31000080D	28	21~24
NM6040002SE	54	32	PX020002000	68	11	SB312000600	42	87
NM6040003SC	34	18	PX055104000	52	7	SB408000100	22	13
NM6050001SC	32	23	PX500014000	68	14	SB412000100	46	3
NM6050001SE	54	24	PX950001000	72	17	SB612000100	42	89
NM6050001SP	36	12	PX950009000	52	22	SD0800327TP	36	11

NUMERICAL INDEX OF PARTS

PART NO	PAGE	REF NO.	PART NO	PAGE	REF NO.	PART NO	PAGE	REF NO.
SD0800336TP	20	59	SL6083092TN	58	7	SM6040450TP	42	82
SD0800337TP	22	25	SL9061600SF	10	66	SM6040602TP	20	52
SD0800346TP	30	52	SL9082093SE	66	18	SM6040602TP	24	51
SD0800386TP	18	35	SM1030601SP	8	32	SM6040602TP	26	26
SD0800387TP	22	40	SM1040650TP	36	56	SM6040602TP	42	96
SD0800408TP	18	38	SM1040650TP	38	56	SM6040602TP	44	96
SD0800656TP	20	60	SM1040801SP	8	31	SM6040650TP	2	44
SD0800746TP	18	10	SM1040870TP	8	65	SM6040650TP	8	35
SD1000506TP	18	37	SM1040870TP	10	65	SM6040650TP	28	46
SK3271301SE	66	42	SM1040870TP	28	47	SM6040650TP	36	20
SK3413201SE	56	35	SM1040870TP	50	50	SM6040800SP	26	5
SL4030681SC	56	11	SM1041601SC	10	76	SM6040802TP	6	39
SL4030881SC	56	13	SM1061201SN	66	21	SM6040802TP	10	97
SL4030881SC	60	59	SM4030301SC	36	33	SM6040802TP	12	97
SL4031091SC	24	49	SM4030401SC	8	29	SM6040802TP	34	16
SL4031091SC	32	30	SM4030601SN	2	36	SM6040802TP	38	54
SL4031091SC	36	18	SM4030601SN	32	29	SM6040802TP	40	42
SL4031091SC	40	41	SM4030801SC	12	95	SM6040860TP	2	18
SL4031481SC	10	86	SM4040655SP	2	42	SM6040860TP	8	47
SL4031691SC	72	11	SM4040655SP	8	34	SM6040860TP	34	13
SL4032591SC	72	12	SM4040855SP	2	38	SM6040860TP	70	14
SL4040691SC	10	91	SM4040855SP	32	37	SM6041150TP	6	27
SL4040881SC	58	21	SM4041001SC	8	36	SM6041202TP	42	56
SL4040891SC	6	30	SM4041001SC	54	28	SM6041402TN	10	70
SL4040891SC	10	63	SM4041055SP	2	32	SM6041402TP	24	54
SL4040891SC	52	11	SM4041055SP	8	33	SM6041602TP	14	40
SL4040891SC	58	38	SM4041201SC	54	30	SM6050652TP	42	77
SL4040891SC	66	39	SM4041255SP	48	44	SM6050800SP	42	85
SL4040891SC	68	38	SM4041401SC	8	37	SM6050800SP	50	58
SL4040891SC	72	25	SM4042001SC	54	31	SM6050802TP	10	72
SL4041081SC	60	51	SM4050855SP	32	38	SM6050802TP	22	45
SL4041091SC	10	78	SM4051001SN	8	14	SM6051000SP	48	16
SL4041091SC	58	28	SM4051055SP	2	29	SM6051002TP	42	65
SL4041091SC	66	46	SM4051255SP	42	70	SM6051002TP	48	23
SL4041091SE	56	17	SM4051405SE	54	23	SM6051202TP	42	67
SL4043591SC	58	24	SM4051655SP	26	11	SM6051402TP	40	11
SL4051091SC	52	24	SM4051655SP	38	50	SM6051402TP	46	9
SL6040892TN	2	34	SM4055001SF	8	6	SM6051602TP	28	12
SL6040892TN	6	40	SM4061255SP	2	13	SM6051602TP	42	71
SL6051092TN	28	38	SM4061255SP	30	50	SM6051602TP	46	6
SL6051292TN	72	16	SM5040655SN	6	24	SM6051802TP	48	37
SL6051492TN	28	33	SM5040655SN	26	10	SM6052002TP	70	21
SL6052592TN	14	41	SM6030602TP	42	50	SM6052502TP	42	60
SL6062592TN	48	21	SM6031002TP	40	32	SM6053052TN	42	59
SL6082092TN	60	60	SM6031402TP	42	51	SM6060802TP	48	29

NUMERICAL INDEX OF PARTS

PART NO	PAGE	REF NO.	PART NO	PAGE	REF NO.	PART NO	PAGE	REF NO.
SM6061010TP	30	53	SM8480652TP	22	10	WP0450846SP	36	44
SM6061202TP	8	42	SM9087533SC	66	31	WP0482086SD	32	34
SM6061402TP	18	24	SM9124503SB	8	7	WP0510516SD	34	45
SM6061602TP	48	41	SM9129013SB	66	19	WP0520656SA	10	73
SM6061802TP	22	21	SS1060210TP	36	26	WP0520656SA	22	38
SM6061802TP	36	46	SS1110640TP	18	30	WP0522016SH	22	39
SM6062502TN	50	54	SS6090910SP	18	41	WP0531000SD	26	12
SM6087002TN	60	61	SS6110430TP	36	42	WP0531000SD	28	13
SM6450610TP	10	55	SS6111210SP	68	7~10	WP0531000SD	40	93
SM6450610TP	26	3	SS7110740TP	36	43	WP0531000SD	42	93
SM7030450SC	10	71	SS7111120TP	68	4~6	WP0531000SD	46	12
SM7751160TP	20	51	SS7111810TP	18	42	WP0531000SD	48	51
SM8030412TP	16	63	SS8110410TP	18	34	WP0531000SD	50	51
SM8030412TP	34	7	SS8110520TP	28	28	WP0531001SC	32	40
SM8040310SS	16	53	SS8660522TP	26	35	WP0531001SC	54	22
SM8040412TP	4	54	SS8660612TP	28	8	WP0553216SD	68	7~10
SM8040412TP	32	26	SS8660612TP	40	36	WP0561616SC	8	9
SM8040502TP	28	67	SS9151240SN	8	8	WP0611626SP	18	9
SM8040502TP	30	67	TA0550604R0	20	61	WP0611626SP	48	39
SM8040802TP	6	26	TA0550604R0	28	31	WP0641600SC	48	55
SM8050412TP	22	43	TA0750404R0	10	93	WP0641600SC	50	55
SM8050412TP	42	73	TA0750404R0	18	21	WP0641601SC	8	43
SM8050412TP	50	48	TA0850604R0	2	23	WP0641601SD	30	54
SM8050502TP	6	25	TA1050504R0	2	24	WP0651001SC	36	47
SM8050512TP	26	32	TA2100904R0	2	10	WP0820516SP	14	15
SM8050592TP	36	22	TA2100904R0	10	75	WP0841601SC	58	62
SM8050592TP	42	91	TA2351004R0	2	27	WP0841601SC	60	62
SM8050612TP	26	7	WP0320500SC	36	34	WP0841601SC	66	33
SM8050612TP	28	19	WP0320501SC	32	31	WP0850002SP	22	14
SM8050612TP	42	75	WP0320501SD	42	98	WP1021016SD	28	37
SM8050812TP	48	22	WP0320501SD	44	98	WP1221016SP	18	27
SM8060552TP	44	95	WP0330501SB	8	38	WP1221016SP	30	58
SM8060602TP	22	19	WP0430800SC	20	54	WP1302501SC	66	10
SM8060602TP	46	8	WP0430800SD	40	45	WP1302501SE	8	10
SM8060612TP	28	16	WP0430800SD	48	45	WP1612616SE	54	15
SM8060802TP	42	63	WP0430801SC	34	10	WS0451040KP	4	52
SM8060812TP	14	3	WP0450000SD	8	40	WS0451040KP	68	7~10
SM8060812TP	18	66	WP0450801SD	2	39	WS0510002KN	54	21
SM8060812TP	20	66	WP0450801SD	8	39	WS0610002KP	48	38
SM8060812TP	22	34	WP0450801SD	68	7~10	WS0820002KN	58	34
SM8060812TP	28	30	WP0450801SP	10	58	WS0820002KN	66	35
SM8060812TP	36	14	WP0450801SP	32	39	WS1220002KN	66	11
SM8060812TP	42	64	WP0450826SC	6	23	WS1253010KN	8	11
SM8061612TP	14	36	WP0450846SP	12	99	WZ0850302K0	22	28
SM8061612TP	34	47	WP0450846SP	24	52			