

MODEL : AK154

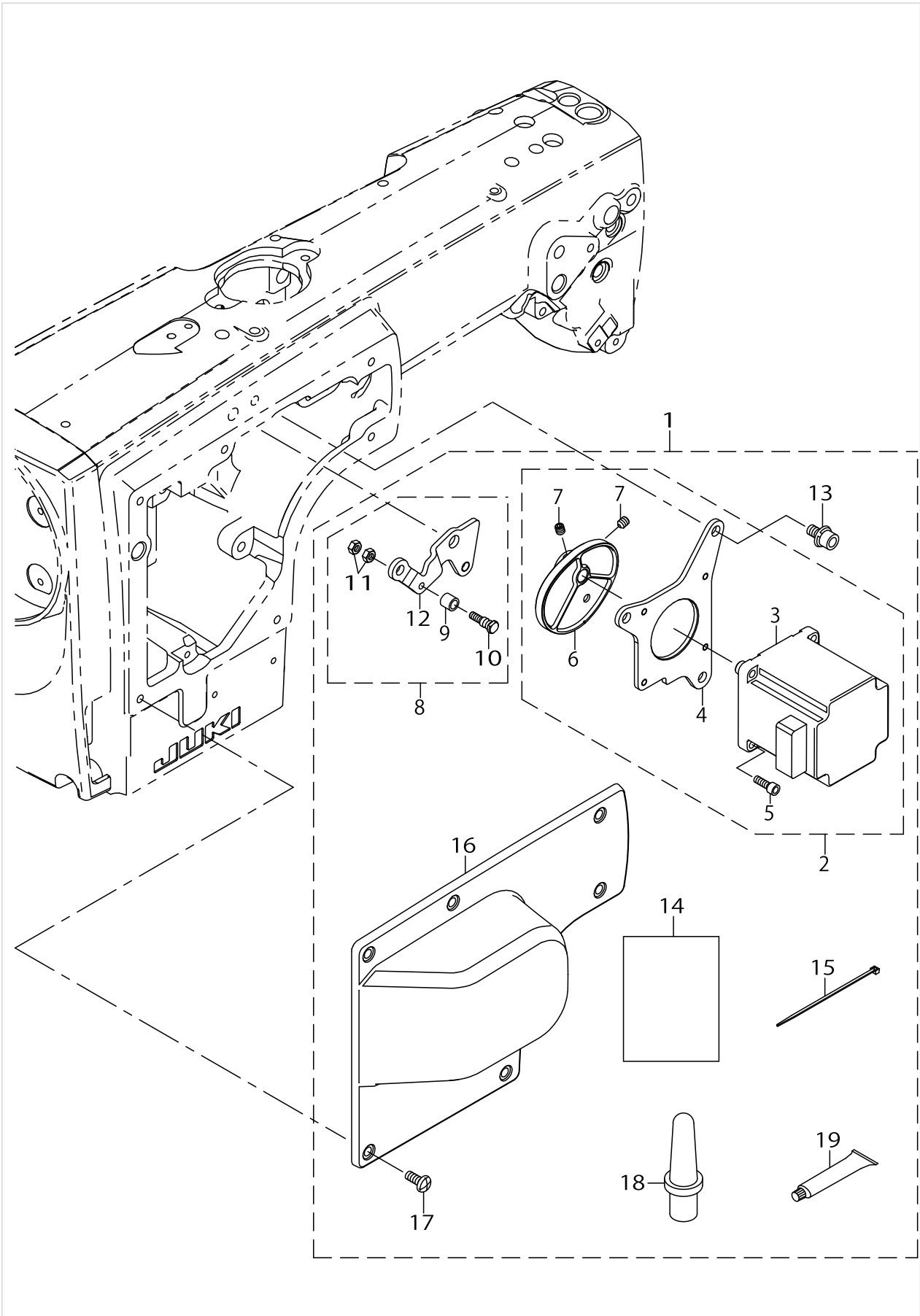
List No : 1692-00

PARTS LIST

Published:09/10/2017

CONTENTS

AK-154	1
HOW TO MAKE USE OF THIS PARTS LIST	3



AK-154

No.	Parts No.	Parts name	Remarks	Level	Cons	Qty
2	40174614	AK_MOTOR_ASSY		*		1
3	40168923	PRESSER MOTOR		*		1
4	40172466	MOTOR_BASE		*		1
5	SM6041202TP	SCREW M4X0.7 L=12		*		4
6	40174375	CAM		*		1
7	SM80508A2TP	SCREW M5 L=8		*		2
8	40174615	AK_LEVER_ASSY		*		1
9	40004254	UTT_CAM_ROLLER		*		1
10	40040256	CAM_ROLLER_SHAFT		*		1
11	NM6040001SP	NUT M4X0.7		*		2
12	40172401	AK_LEVER		*		1
13	SL6061292TN	SCREW M6 L=12		*		3
14	40174382	AK154 INSTRUCTION MANUAL/PARTS LIST		*		1
15	EA9500B0100	CABLE BAND	PLEASE REFER WHEN YOU USE.	*		2
16	40089270	SIDE_PLATE_AK		*		1
17	SM4051255SP	SCREW M5 L=12		*		6
18	40024081	HEAD SUPPORT ROD	PLEASE REFER WHEN YOU USE.	*		1
19	40006323	JUKI GREASE A TUBE	PLEASE REFER WHEN YOU USE.	*		1

HOW TO MAKE USE OF THIS PARTS LIST

- 1.As to "#01" and "#02" refer to the "Note" given at the bottom of the respective pages.
- 2.Codes on the "Qty" column
 - Each numeral indicates the number of parts required.
 - "0.1" and "2.5" indicate the length (in meters) of the respective parts.
- 3.Parentheses mean that the corresponding part is a subpart that constructs an assembly part.
- 4.Dotted lines on the Figures indicate assembly parts.

1. リストページの# 0 1、# 0 2の印は、ページ下の"注記"の説明を参照下さい。
2. 数量欄の数字は、個数を表し、0. 1、2. 5等の数値は、長さ（単位メートル）を表します。
3. 数量欄の（ ）は、組部品を構成している子部品であることを意味します。
4. イラストページの-----枠は、組構成であることを意味します。

"*1: Since the AK-154 device which is purchased in the factory-shipped state has already been appropriately adjusted, the parts marked with "*1" are not shipped.

※：AK154装置工場出荷状態で購入された場合、調整済の為同封しておりません。"

NUMERICAL INDEX OF PARTS

PART NO	PAGE	REF NO.
40004254	2	9
40006323	2	19
40024081	2	18
40040256	2	10
40089270	2	16
40168923	2	3
40172401	2	12
40172466	2	4
40174375	2	6
40174382	2	14
40174614	2	2
40174615	2	8
EA9500B0100	2	15
NM6040001SP	2	11
SL6061292TN	2	13
SM4051255SP	2	17
SM6041202TP	2	5
SM80508A2TP	2	7