

MODEL : LU-2810ES-7,LU-2818ES-7

List No : 1691-01

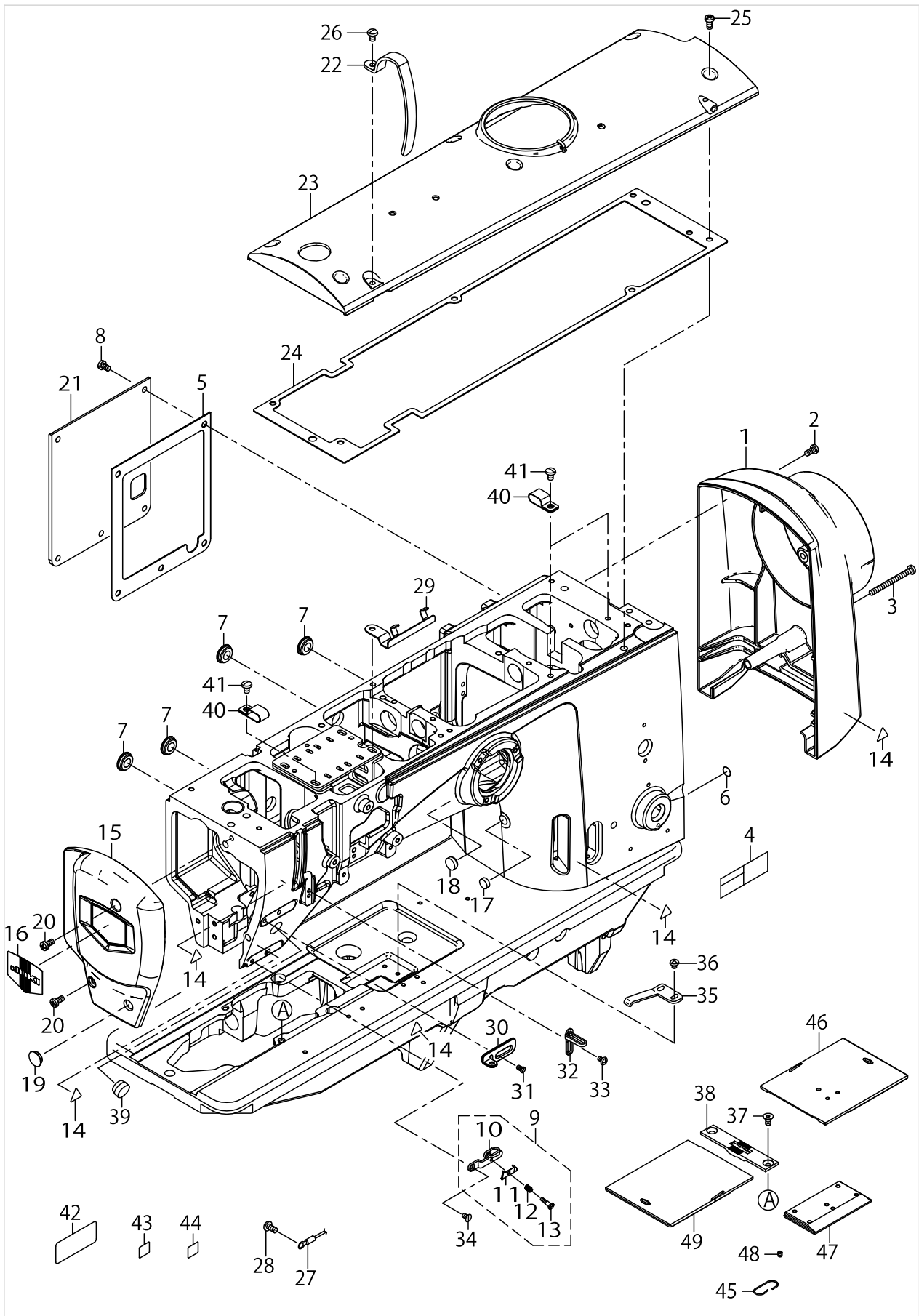
PARTS LIST

Published:09/10/2017

CONTENTS

FRAME & MISCELLANEOUS COVER COMPONENTS	1
MAIN SHAFT & THREAD TAKE-UP LEVER COMPONENTS	5
NEEDLE BAR COMPONENTS	9
LOWER SHAFT COMPONENTS.....	11
OPENNER COMPONENTS	15
HOOK COMPONENTS.....	17
UPPER FEED COMPONENTS.....	19
HAND LIFTER & AUTO LIFTER COMPONENTS.....	25
LOWER FEED COMPONENTS	27
FEED ADJUST COMPONENTS.....	33
DL COMPONENTS.....	39
AUTO BT COMPONENTS	41
6-RANGE SW COMPONENTS.....	43
SPEED ADJUST COMPONENTS	45
THREAD CUTTING COMPONENTS.....	47
CONDENSE COMPONENTS.....	51
THREAD TENSION COMPONENTS	53
TENSION RELEASE COMPONENTS	55
PNEUMATIC COMPONENTS	57
BOBBIN WINDER COMPONENTS.....	59
LUBRICATION COMPONENTS	61
THREAD STAND COMPONENTS.....	65
BOTTOM COVER COMPONENTS.....	67
ACCESSORIES PARTS COMPONENTS	69
TABLE OF EXCHANGING GAUGE PARTS.....	71
TABLE OF EXCHANGING GAUGE PARTS SET.....	73
TABLE OF OPTIONAL GAUGE PARTS (1)	75
TABLE OF OPTIONAL GAUGE PARTS (2)	77
TABLE OF OPTIONAL GAUGE PARTS (3)	79
OPTIONAL PARTS	81
LIST FOR INFORMATION OF CHANGE.....	83
CORRECTION AND SUPPLEMENT (1).....	84
CORRECTION AND SUPPLEMENT (2).....	85
HOW TO MAKE USE OF THIS PARTS LIST	86

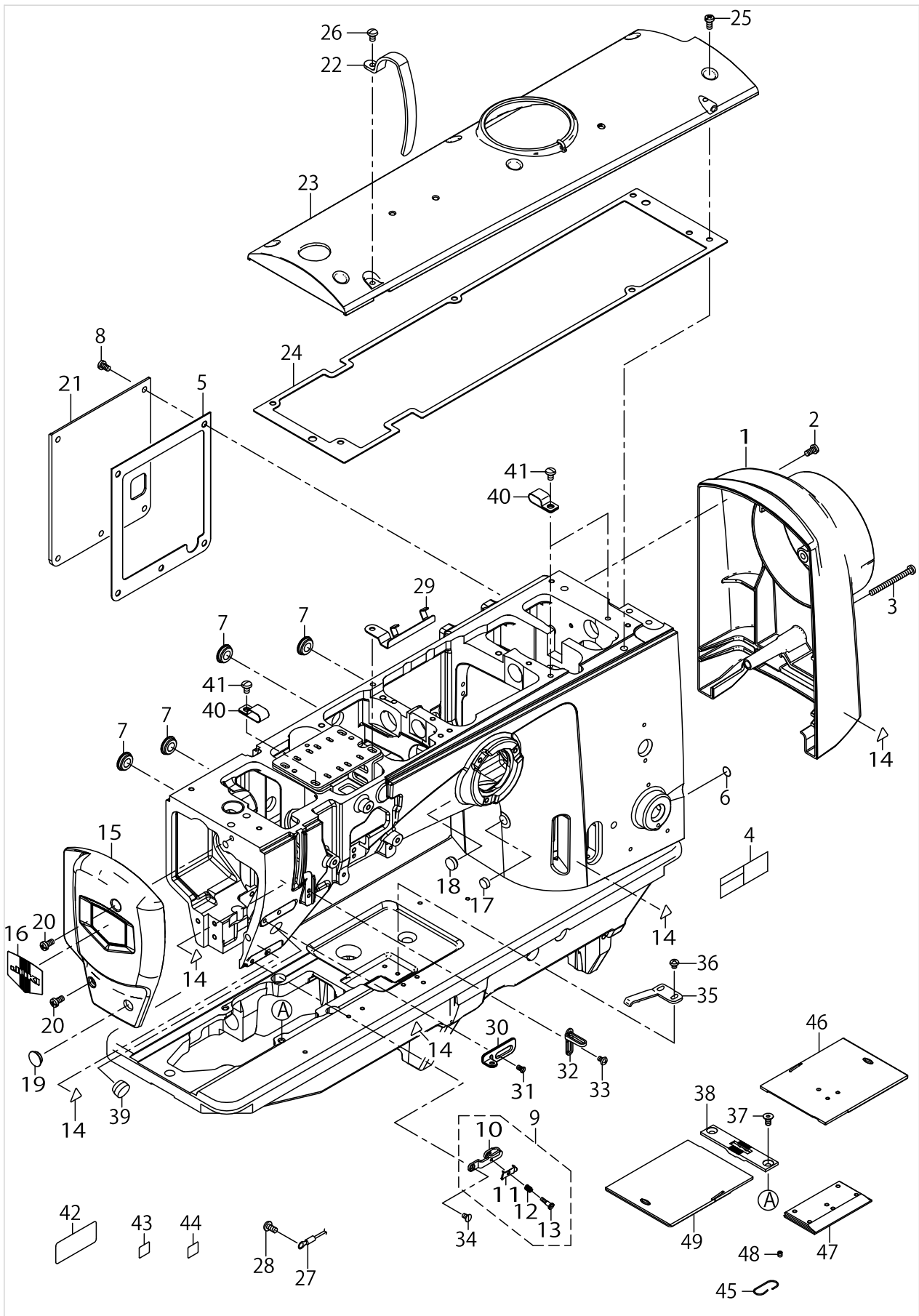
FRAME & MISCELLANEOUS COVER COMPONENTS



FRAME & MISCELLANEOUS COVER COMPONENTS

No.	Parts No.	Parts name	Remarks	Level	Cons	Qty
1	40169640	MOTOR_COVER				1
2	SM4051055SP	SCREW				2
3	SM4055501SC	SCREW M5X0.8 L=55				1
4	40102261	SAFETY_LABEL_S				1
5	40151799	WINDOW_PLATE_PACKING				1
6	22901805	GROUND MARK				1
7	TA1650406R0	PRUG				4
8	SM4051055SP	SCREW				5
9	40034675	THREAD_GUIDE_ASM_E				1
10	40034674	THREAD_GUIDE		*		1
11	40042716	THREAD_PRESSER_PLATE		*		1
12	B1132521000	THREAD PRESSER PLATE SPRING		*		1
13	SD0380556TL	SHOULDER SCREW D=3.8 H=5.5		*		1
14	CM300200001	FINGER INJURY CAUTION LABLE (16)				5
15	40130704	FACE_PLATE				1
16	22902506	PLATE				1
17	TA1030402R0	RUBBER PLUG D=10.3 L=4				1
18	TA1270502R0	RUBBER PLUG				1
19	TA1250406R0	RUBBER PLUG D=12.5 L=4				1
20	SM4051055SP	SCREW				2
21	40129995	APERTURE_COVER				1
22	40134834	THREAD_TAKE_UP_LEVER COVER				1
23	40148283	TOP COVER LP				1
24	40147919	TOP_COVER_PACKING				1
25	SM4051055SP	SCREW				6
26	SM4040855SP	SCREW				1
27	22951552	GROUND WIRE ASM.				1
28	SM4051055SP	SCREW				1
29	40134805	CABLE HOLDER				1
30	40169642	THREAD_GUIDE_B				1
31	SM1040750TP	SCREW M4 L=7				1
32	40126221	THREAD_GUIDE				1
33	SM4040655SP	SCREW M4 L=6				1
34	SM1040750TP	SCREW M4 L=7				1
35	B1111563000	BED SLIDE SPRING				1
36	SM4040655SP	SCREW M4 L=6				2
37	SM1051052TN	PLATE SCREW M5 L=10				2
38	40147949	THROAT_PLATE_2818AL	EXCHANGING GAUGE PARTS (SEE.P.43)			1
39	TA1550902R0	PLUG				1
40	D2112555B00	CORD HOLDER				3
41	SM4050855SP	SCREW				3
42	40094561	SEWING MACHINE LABEL (EU)	FOR JE			1
43	CM600100101	WEEE MARK LABEL S	FOR JE			1
44	40150131	EAC_MARK_LABEL_S	FOR JE			1
45	B111105100B	SPRING				1
46	40147944	SLIDE_PLATE_2810R	EXCHANGING GAUGE PARTS (SEE.P.43)			1

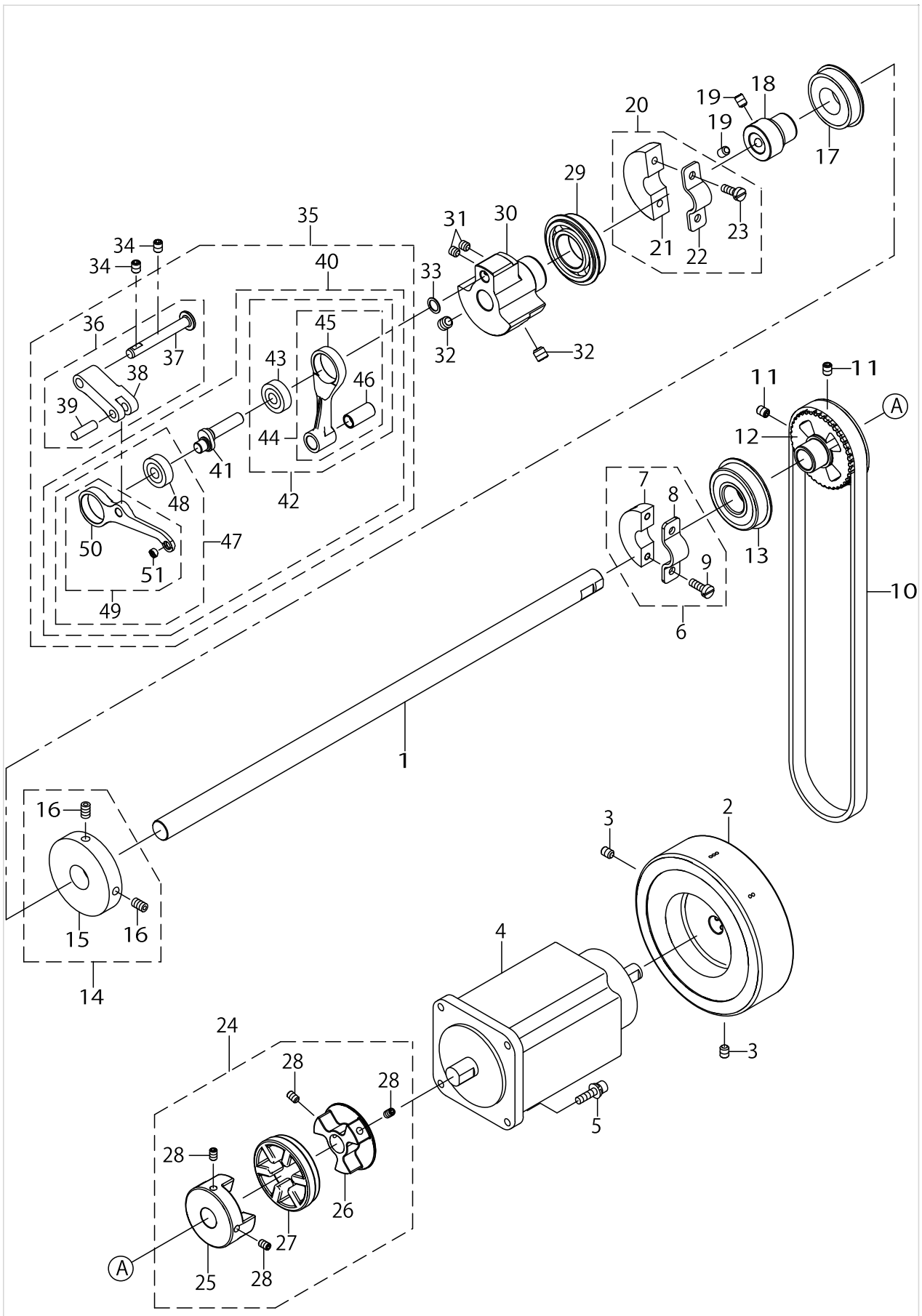
FRAME & MISCELLANEOUS COVER COMPONENTS



FRAME & MISCELLANEOUS COVER COMPONENTS

No.	Parts No.	Parts name	Remarks	Level	Cons	Qty
47	40147918	SLIDE_PLATE_FRONT	EXCHANGING GAUGE PARTS (SEE.P.43)			1
48	SM8040412TP	SET SCREW M4 L=4				3
49	40112224	SLIDE_PLATE_2810L	EXCHANGING GAUGE PARTS (SEE.P.43)			2

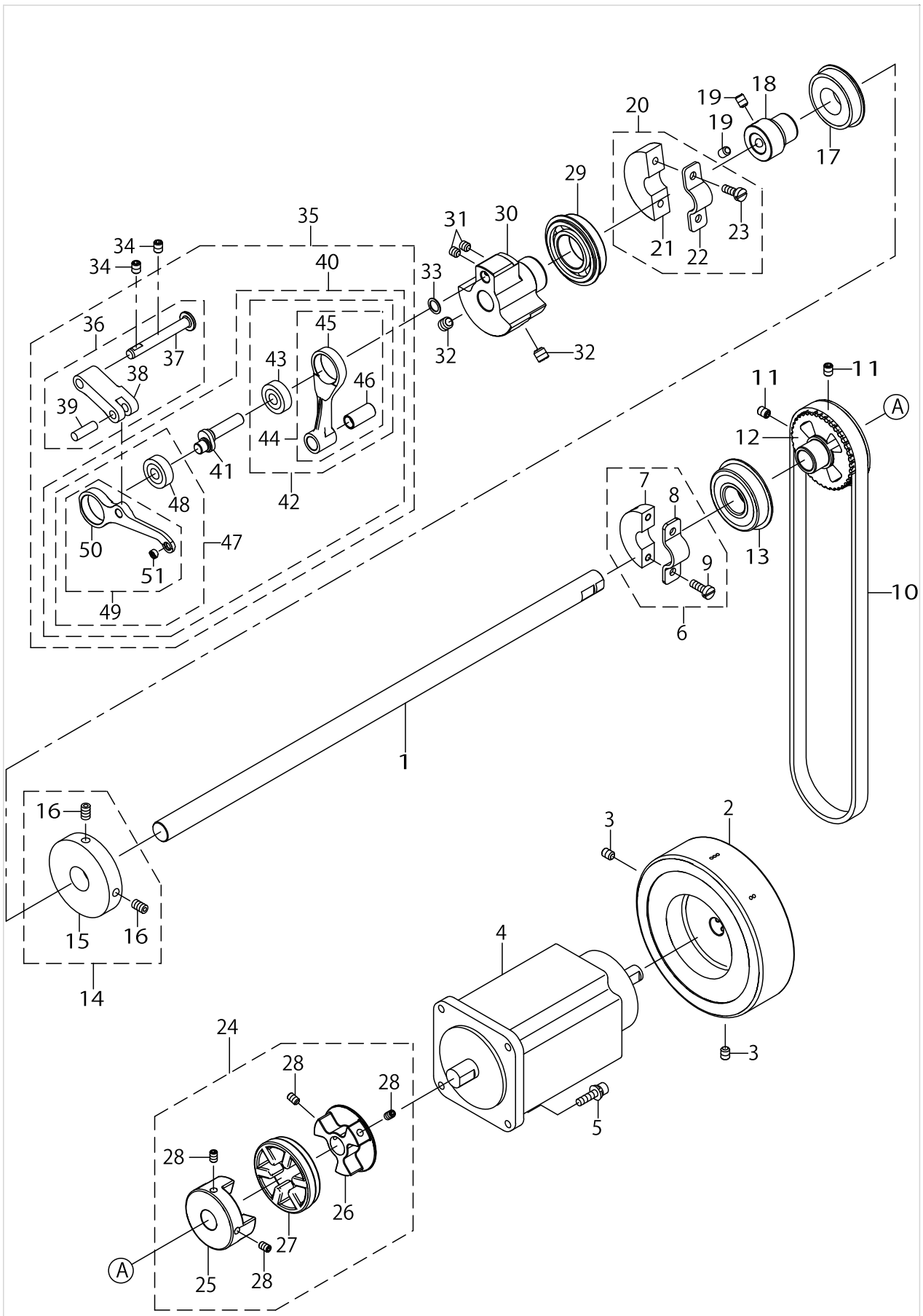
MAIN SHAFT & THREAD TAKE-UP LEVER COMPONENTS



MAIN SHAFT & THREAD TAKE-UP LEVER COMPONENTS

No.	Parts No.	Parts name	Remarks	Level	Cons	Qty
1	40112087	MAIN_SHAFT_DD				1
2	40169644	HAND_WHEEL				1
3	SM80608A2TP	SCREW M6 L=8				2
4	40169647	SERVO_MOTOR_800W				1
5	SL6052092TN	SCREW				4
6	40169700	CRANK_BALANCER_ASM				1
7	40169701	CRANK_BALANCER		*		1
8	40010439	CRANK_BALANCER_FIX_PLATE		*		1
9	40010440	CRANK_BALANCER_FIX_PLATE_SCREW		*		2
10	40112274	TIMING_BELT			☆	1
11	SM80608A2TP	SCREW M6 L=8				2
12	40126321	SPROCKET_UPPER				1
13	40143088	BEARING				1
14	40010533	BTW_DRIVING_WHEEL_ASM.				1
15	40010534	BTW_DRIVING_WHEEL		*		1
16	40010535	DRIVING_WHEEL_SCREW		*		2
17	SB120001800	BEARING				1
18	23605207	MAIN SHAFT BEARING SUPPORT				1
19	SM80608A2TP	SCREW M6 L=8				2
20	40010437	CRANK_BALANCER_ASM				1
21	40010438	CRANK_BALANCER		*		1
22	40010439	CRANK_BALANCER_FIX_PLATE		*		1
23	40010440	CRANK_BALANCER_FIX_PLATE_SCREW		*		2
24	40112312	COUPLING_ASSY				1
25	40130277	HUB_L		*		1
26	40112106	HUB_R		*		1
27	40125950	SPIDER		*		1
28	SM8050812TP	SCREW M5X8		*		4
29	40143083	BEARING				1
30	40112091	COUNTER_WEIGHT				1
31	SM8060612TP	SCREW M6 L=6				2
32	SM8080812TP	SCREW M8X8				2
33	WP0820516SP	WASHER 11.6X8.2X0.6				1
34	SM8060812TP	SCREW M6 L=8				2
35	40160240	THREAD_TAKE_UP_COMP_L				1
36	40143077	TAKE_UP_CRANK_ASM		*		1
37	40011902	THREAD_TAKE_UP_CRANK_SHAFT		*		1
38	40125930	TAKE_UP_LEVER_CRANK		*		1
39	10721504	FEED ADJUSTING PIN		*		1
40	40160241	THREAD_TAKE_UP_ASM_L_B		*		1
41	40112092	NEEDLE_BAR_CRANK		*		1
42	40143075	NEEDLE_BAR_CRANK_ROD_COMP		*		1
43	SB108002400	BEARING		*		1
44	40143076	NEEDLE_BAR_CRANK_ROD_ASM		*		1
45	40112093	NEEDLE_BAR_CRANK_ROD		*		1
46	40112094	CRANK_ROD_BUSH		*		1
47	40160242	THREAD_TAKE_UP_ASM_L_A		*		1

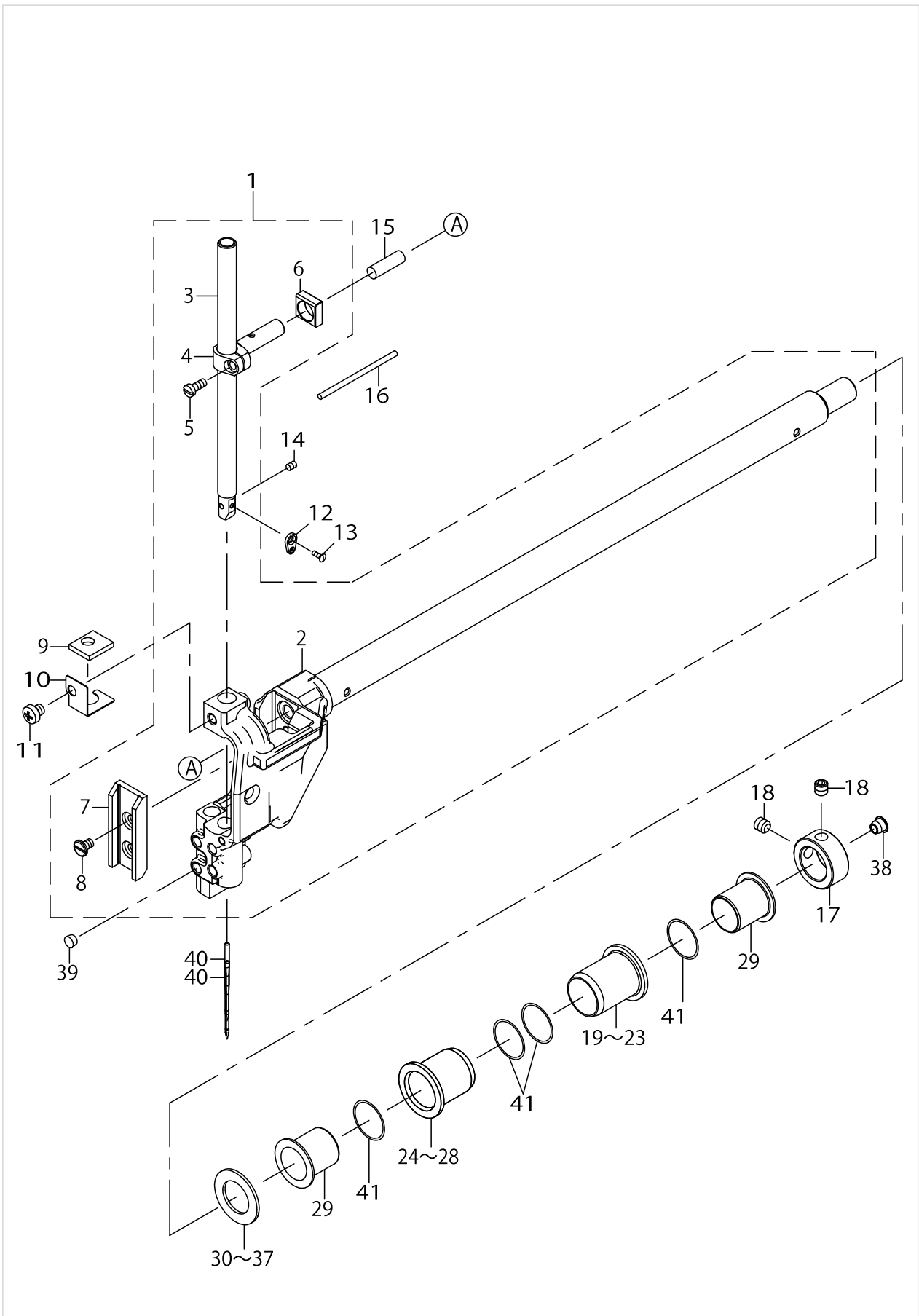
MAIN SHAFT & THREAD TAKE-UP LEVER COMPONENTS



MAIN SHAFT & THREAD TAKE-UP LEVER COMPONENTS

No.	Parts No.	Parts name	Remarks	Level	Cons	Qty
48	SB108002400	BEARING		*		1
49	40134545	THREAD_TAKE_UP_ASM		*		1
50	40134532	THREAD_TAKE_UP		*		1
51	10546901	BUSH		*		1

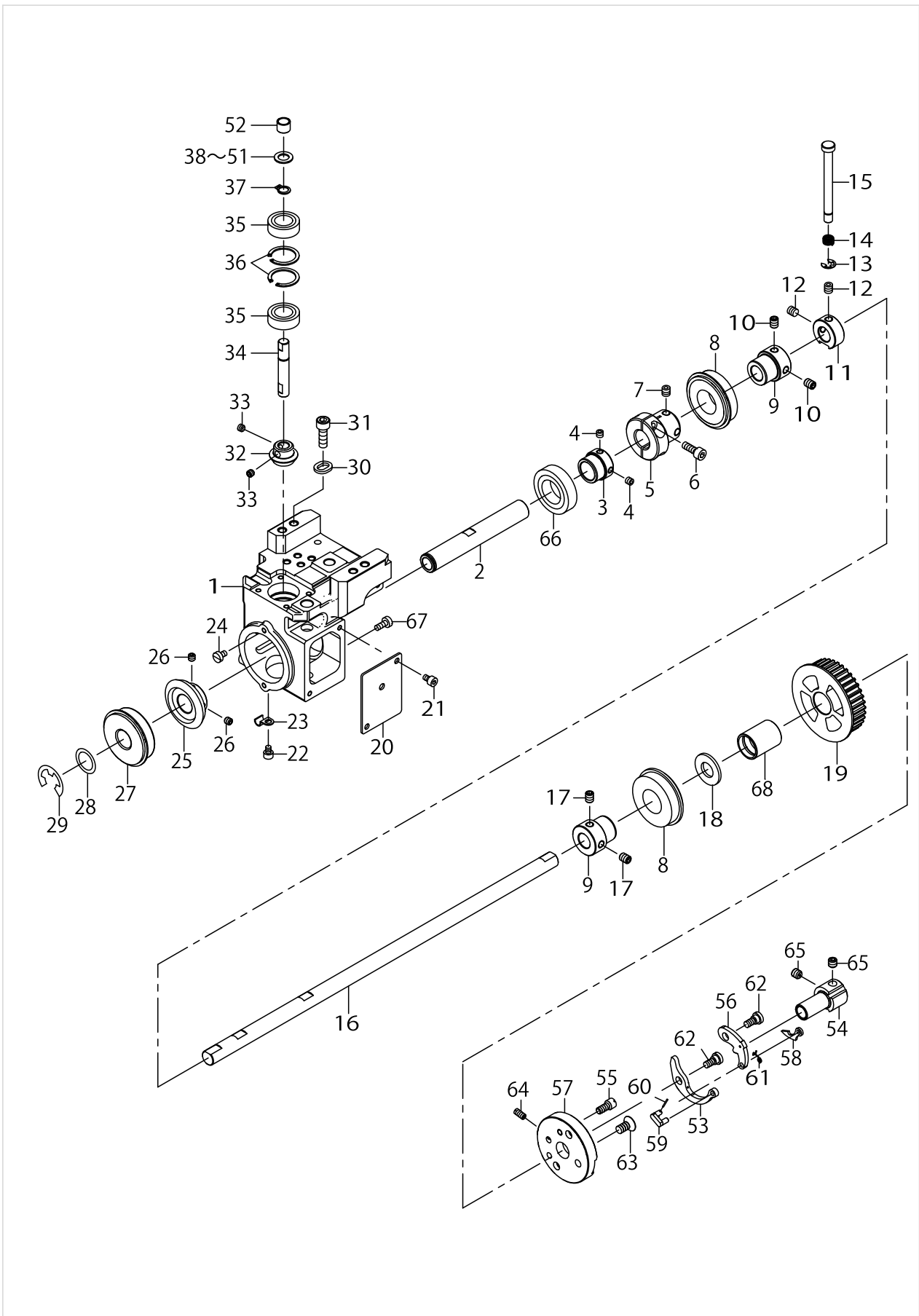
NEEDLE BAR COMPONENTS



NEEDLE BAR COMPONENTS

No.	Parts No.	Parts name	Remarks	Level	Cons	Qty
1	40169656	N_B_ROCKING_BASE_ASM_2800ES				1
2	40169659	N_B_ROCKING_BASE_ASM_ES		*		1
3	40169657	NEEDLE_BAR_2800ES		*		1
4	40169658	NEEDLE BAR CONNECTION		*		1
5	SS7090910TP	SCREW 9/64-40 L=8.5		*		1
6	40112152	NEEDLE_ROD_SQUARE_BLOCK		*		1
7	40127041	NEEDLE_BAR_GUIDE		*		1
8	SM6040650TP	SCREW		*		2
9	40112272	NEEDLE_BAR_FELT_E				1
10	40112270	FELT HOLDER				1
11	SM4050501SC	SCREW M5X0.8 L=5				1
12	40143221	NEEDLE_BAR_THREAD_GUIDE_2810A				1
13	SS2060310SP	SCREW 3/32-56 L=3				1
14	SS8080410TP	SCREW 1/8-44 L=3.5				1
15	B1412051000	FELT				1
16	CQ252000000	COTTON OIL WICK D=2.5				0.05
17	CS1701181TP	THRUST COLLAR D=17 W=11				1
18	SM8060612TP	SCREW M6 L=6				2
19	40171403	NEE_BAR_ROCKING_SHAFT_B_BUSHING	SELECTIVE PARTS			1
20	40169649	NEE_BAR_ROCKING_SHAFT_B_BUSHING	SELECTIVE PARTS			1
21	40169650	NEE_BAR_ROCKING_SHAFT_B_BUSHING	SELECTIVE PARTS			1
22	40174557	NEE_BAR_ROCKING_SHAFT_B_BUSHING	SELECTIVE PARTS			1
23	40174558	NEE_BAR_ROCKING_SHAFT_B_BUSHING	SELECTIVE PARTS			1
24	40169652	NEE_BAR_ROCKING_SHAFT_F_BUSHING	SELECTIVE PARTS			1
25	40169653	NEE_BAR_ROCKING_SHAFT_F_BUSHING	SELECTIVE PARTS			1
26	40169654	NEE_BAR_ROCKING_SHAFT_F_BUSHING	SELECTIVE PARTS			1
27	40174559	NEE_BAR_ROCKING_SHAFT_F_BUSHING	SELECTIVE PARTS			1
28	40174560	NEE_BAR_ROCKING_SHAFT_F_BUSHING	SELECTIVE PARTS			1
29	40169651	ROCKING_SHAFT_PLASTIC_BUSHING				2
30	B1438512B00	WASHER 17.1X28X1.5	SELECTIVE PARTS			1
31	22606206	SPACER Y	SELECTIVE PARTS			1
32	22606305	SPACER Z	SELECTIVE PARTS			1
33	22607600	SPACER A	SELECTIVE PARTS			1
34	22607709	SPACER B	SELECTIVE PARTS			1
35	22607808	SPACER D	SELECTIVE PARTS			1
36	22607907	SPACER E	SELECTIVE PARTS			1
37	22606404	SPACER F	SELECTIVE PARTS			1
38	TA0620504R0	CAP				1
39	TA0500301R0	PLUG 5X5.8 L=3				4
40	M13517B1600	NEEDLE 135X17 #160			☆	1
41	40178188	O-RING				4

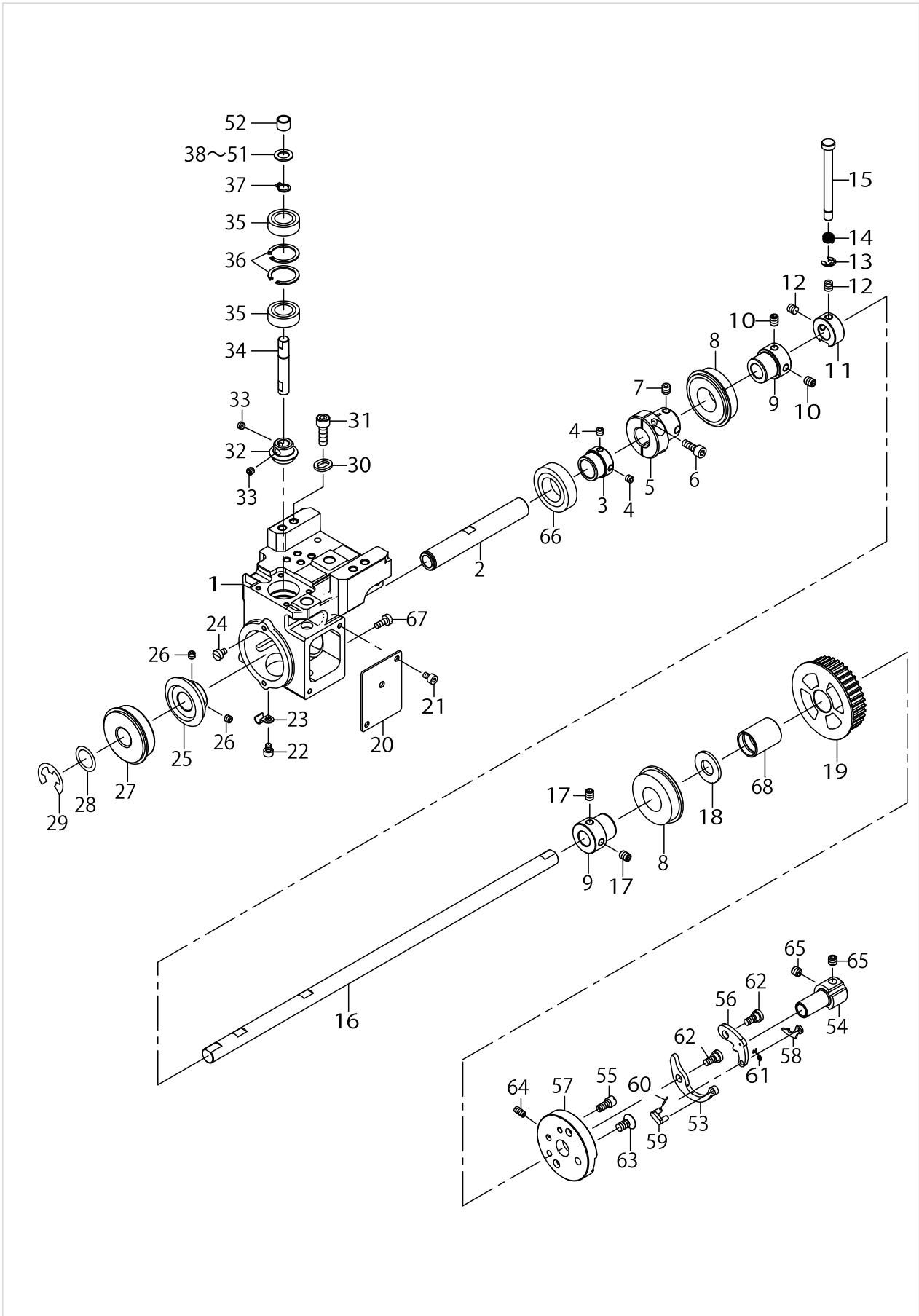
LOWER SHAFT COMPONENTS



LOWER SHAFT COMPONENTS

No.	Parts No.	Parts name	Remarks	Level	Cons	Qty
1	40169661	HOOK_SHAFT_BASE_RIGHT_TC				1
2	40169662	LOWER_SHAFT_C				1
3	40169663	BEARING_COLLAR				1
4	SM8050412TP	SCREW M5 L=4				2
5	40169664	CONNECTING_COLLAR				1
6	SM6051202TP	SCREW M5X0.8 L=12				2
7	SM80606A2TP	SCREW M6 L=6				2
8	SB120001800	BEARING				2
9	40169668	BEARING_COLLAR				2
10	SM8060812TP	SCREW M6 L=8				2
11	40169673	SAFETY CLUTCH DISC				1
12	SM80606A2TP	SCREW M6 L=6				2
13	RE0500000K0	E-RING				1
14	B1639051000	SPRING				1
15	40112240	SAFETY_REVERSE_BUTTON				1
16	40169667	LOWER_SHAFT				1
17	SM80606A2TP	SCREW M6 L=6				2
18	WP1252210SC	WASHER 12.5X25.6X2.2				1
19	40169671	LOWER_SHAFT_SPROCKET				1
20	40123340	HOOK_SHAFT_BASE_SIDE_PLATE				1
21	SM6040602TP	SCREW M4X0.7 L=6				2
22	SM6040502TP	SCREW M4X0.7 L=5				1
23	B3538112000	OIL RETURN TUBE HOLDER				1
24	SM6040650TP	SCREW				2
25	40126372	LOWER_SHAFT_GEAR				1
26	SM80506A2TP	SCREW M5 L=6				2
27	40143084	BUSHING				1
28	D1231555B00	WASHER				1
29	RE1200000K0	E-RING 12				1
30	40139043	HOOK_SHAFT_BASE_WASHER_2810				2
31	SM6061802TP	SCREW M6 L=18				2
32	40169666	HOOK_SHAFT_GEAR				1
33	SM8050412TP	SCREW M5 L=4				2
34	40169665	HOOK_SHAFT				1
35	SB108000600	BEARING				2
36	RC2400002KP	C-RING 24 (25.9)				2
37	RC0740816K0	C-RING 8 (7.4)				1
38	B255728000A	WASHER FOR DRIVING ARM	SELECTIVE PARTS			1
39	B255728000B	WASHER	SELECTIVE PARTS			1
40	B255728000C	WASHER	SELECTIVE PARTS			1
41	B255728000D	WASHER D	SELECTIVE PARTS			1
42	B255728000E	WASHER	SELECTIVE PARTS			1
43	40138418	WASHER_T=1.3	SELECTIVE PARTS			1
44	40138419	WASHER_T=1.4	SELECTIVE PARTS			1
45	40138420	WASHER_T=1.5	SELECTIVE PARTS			1
46	40138421	WASHER_T=1.6	SELECTIVE PARTS			1
47	40138422	WASHER_T=1.7	SELECTIVE PARTS			1

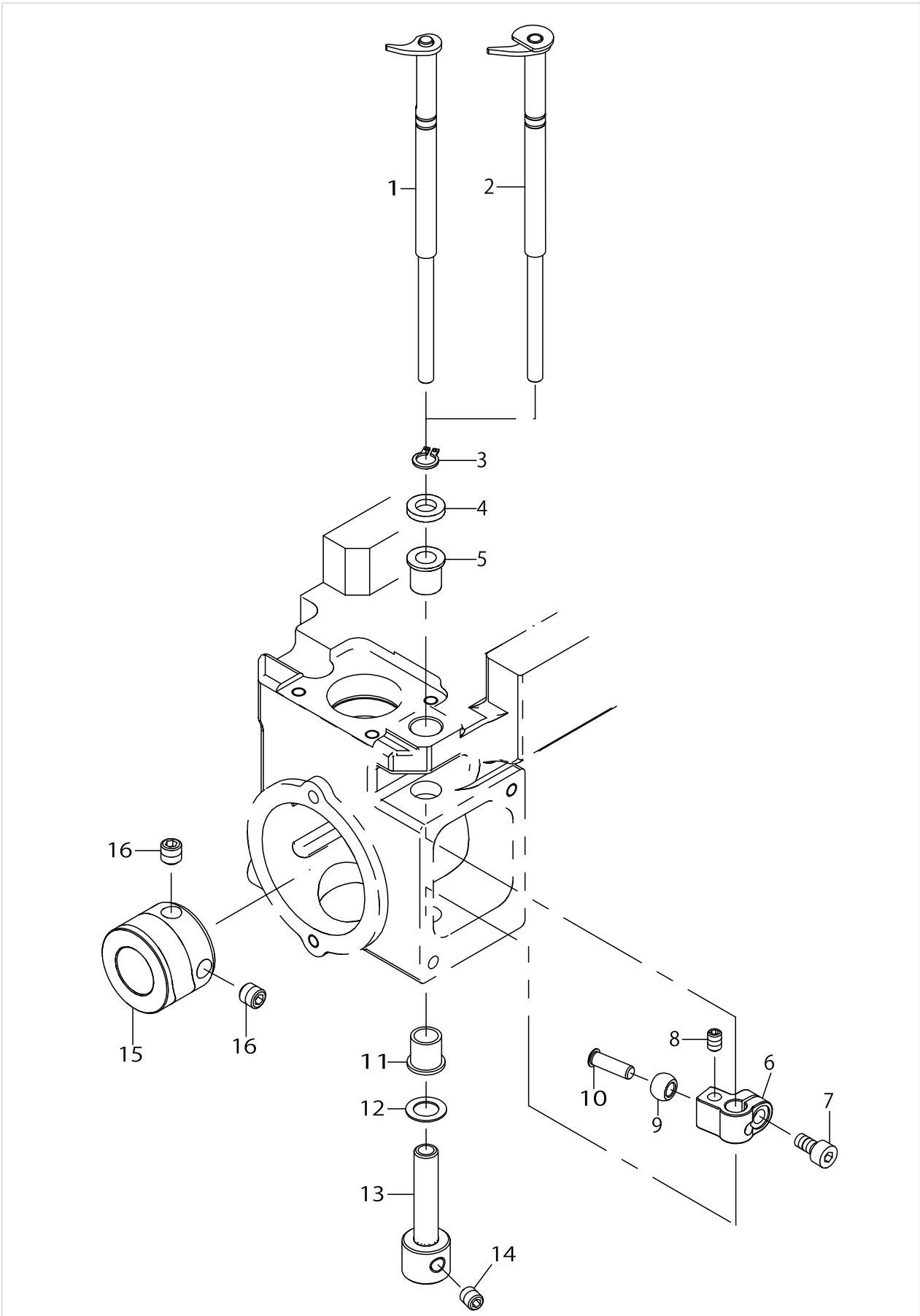
LOWER SHAFT COMPONENTS



LOWER SHAFT COMPONENTS

No.	Parts No.	Parts name	Remarks	Level	Cons	Qty
48	40138423	WASHER_T=1.8	SELECTIVE PARTS			1
49	40143185	WASHER_T=0.5	SELECTIVE PARTS			1
50	40143188	WASHER_T=0.6	SELECTIVE PARTS			1
51	40143581	WASHER_T=0.7	SELECTIVE PARTS			1
52	40126382	HOOK_SHAFT_COLLAR				1
53	21387709	SAFETY CLUTCH SPRING				1
54	40176783	SAFETY BASE				1
55	21387907	ADJUSTING PIN (1.2)				1
56	40169669	SAFETY_CLUTCH_HOOK				1
57	40169672	CLUTCH_BASE				1
58	B1308055000	SAFETY CLUTCH COUNTER-HOOK				1
59	B1310055000	SAFETY CLUTCH SMALL LINK				1
60	B1314055000	SAFETY CLUTCH SMALL LINK PIN				1
61	40113224	COUNTER HOOK SPRING				1
62	SD0640322TP	SHOULDER SCREW D=6.35 H=3.2				2
63	SM1061201SN	SCREW M6 L=12				2
64	SS8111010TP	SCREW 11/64-40 L=9.5				1
65	SM80606A2TP	SCREW M6 L=6				2
66	SB120003200	BEARING				1
67	SM6041050SN	SCREW M4 L=10				1
68	40178330	SAFETY_BASE_BUSHING				1

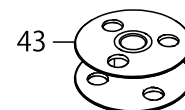
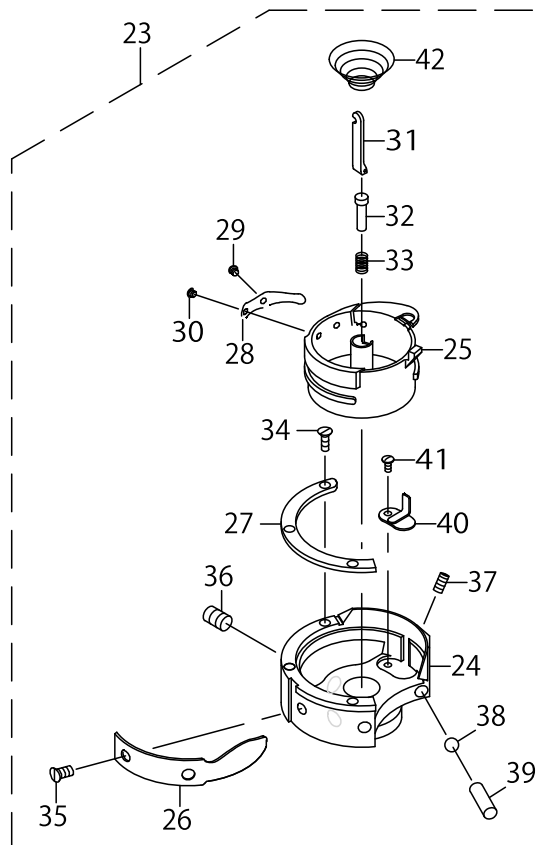
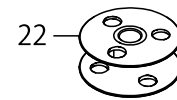
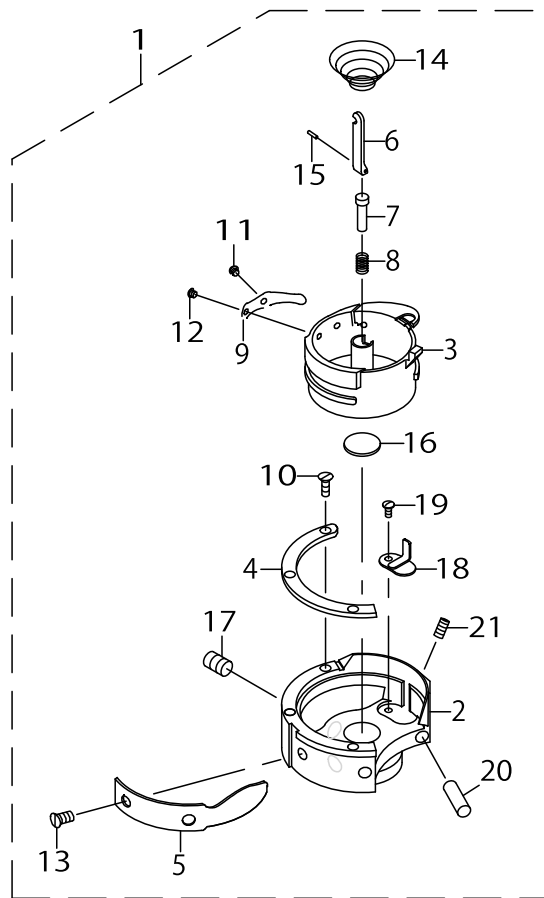
OPENNER COMPONENTS



OPENNER COMPONENTS

No.	Parts No.	Parts name	Remarks	Level	Cons	Qty
1	40147915	OPENER_ASM_XXL	FOR LU-2818ES-7		☆	1
2	40137431	OPENER_ASM_L	FOR LU-2810ES-7		☆	2
3	RC0560711KP	C-RING 6(5.6)				1
4	WP0612066SP	WASHER 6.1X11X2				1
5	40112252	OPENER_METAL				1
6	40135475	OPENER_DRIVING_ARM				1
7	SM6040802TP	SCREW M4X0.7 L=8				2
8	SM8040612TP	SCREW M4 L=6				2
9	40126351	OPENER_CAM_ROLLER				2
10	40126360	OPENER_CAM_ROLLAR_SHAFT				2
11	40135473	OPENER_METAL				1
12	WP0740516SP	WASHER 7.4X11.8X0.5				1
13	40135472	OPENNER_SLEEVE				1
14	SM8050612TP	SCREW M5X6				2
15	40126391	OPENER_CAM_R				1
16	SM8060612TP	SCREW M6 L=6				2

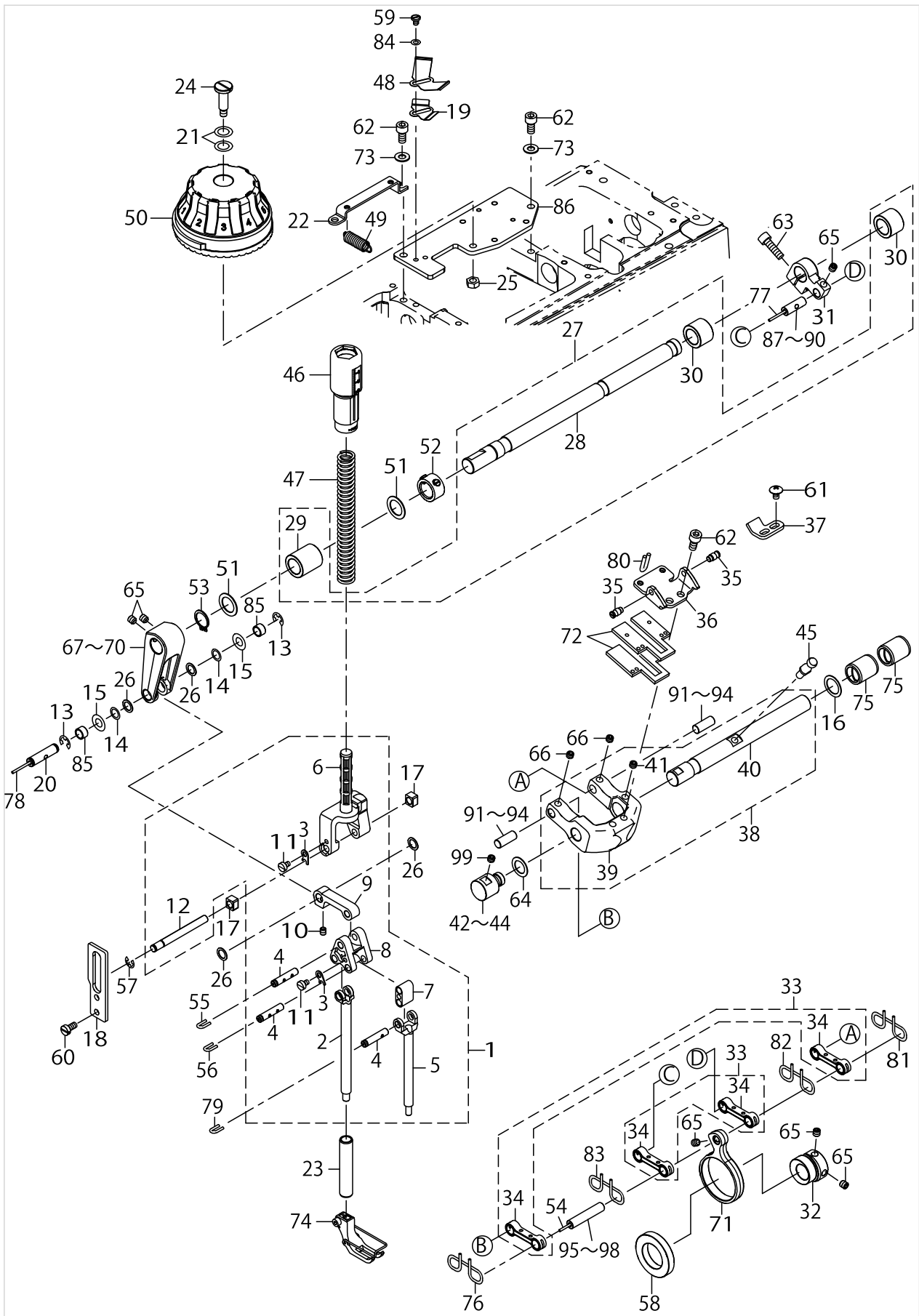
HOOK COMPONENTS



HOOK COMPONENTS

No.	Parts No.	Parts name	Remarks	Level	Cons	Qty
1	40142204	HOOK_T_ASM	FOR LU-2810ES-7			1
2	40169451	OUTER_HOOK		*		1
3	40169452	INNER_HOOK		*		1
4	40169433	INNER_HOOK_HOLDER		*		1
5	40169434	NEEDLE HOLDER		*		1
6	40169435	BOBBIN_PRESSER		*		1
7	40169436	BOBBIN_PRESSER_PIN		*		1
8	40169437	BOBBIN_PRESSER_SPRING		*		1
9	40169453	TENTION_SPRING		*		1
10	40169439	INNER_HOOK_HOLDER_SETSCREW		*		3
11	40169454	ADJUSTING_SCREW		*		1
12	40169455	TENTION_SPRING_SETSCREW		*		1
13	40169442	NEEDLE HOLDER_SETSCREW		*		2
14	40169443	IDLING_PRIVENTION_SPRING		*		1
15	40169444	BOBBIN_PRESSER_PIN		*		1
16	40169445	SHAFT_COVER		*		1
17	40169446	OUTER_HOOK_SETSCREW		*		2
18	40169447	OIL_COVER		*		1
19	40169448	OIL_COVER_SETSCREW		*		1
20	40169449	SLIDE_PIN		*		1
21	40169450	NEEDLE HOLDER_ADJUSTING_SCREW		*		1
22	21334800	ALUMINUM BOBBIN WITH KNURL	FOR LU-2810ES-7		☆	1
23	40147985	TRIM HOOK ASM. XXL LP	FOR LU-2818ES-7		☆	1
24	40149030	OUTER_HOOK		*	☆	1
25	40149038	INNER_HOOK		*	☆	1
26	40149032	NEEDLE HOLDER		*	☆	1
27	40149033	INNER_HOOK_HOLDER		*	☆	1
28	40079898	TENTION SPRING		*	☆	1
29	40079899	ADJUSTING SCREW		*	☆	1
30	40079900	TENTION SPRING SETSCREW		*	☆	1
31	40149034	BOBBIN_PRESSER		*	☆	1
32	40079902	PRESSER LIFTER		*	☆	1
33	40079903	PRESSER LIFTER SPRING		*	☆	1
34	40149035	INNER_HOOK_HOLDER_SETSCREW		*	☆	3
35	40149036	NEEDLE HOLDER_SETSCREW		*	☆	2
36	40075542	OUTER_HOOK_SETSCREW		*	☆	2
37	40079909	NEEDLE HOLDER ADJUSTING SCREW		*	☆	1
38	40148037	BALL		*	☆	1
39	40149037	SLIDE_PIN		*	☆	1
40	40075547	OIL_COVER_SETSCREW		*	☆	1
41	40075548	OIL_COVER		*	☆	1
42	40079912	IDLING PRIVENTION SPRING		*	☆	1
43	40147913	BOBBIN	FOR LU-2818ES-7		☆	1

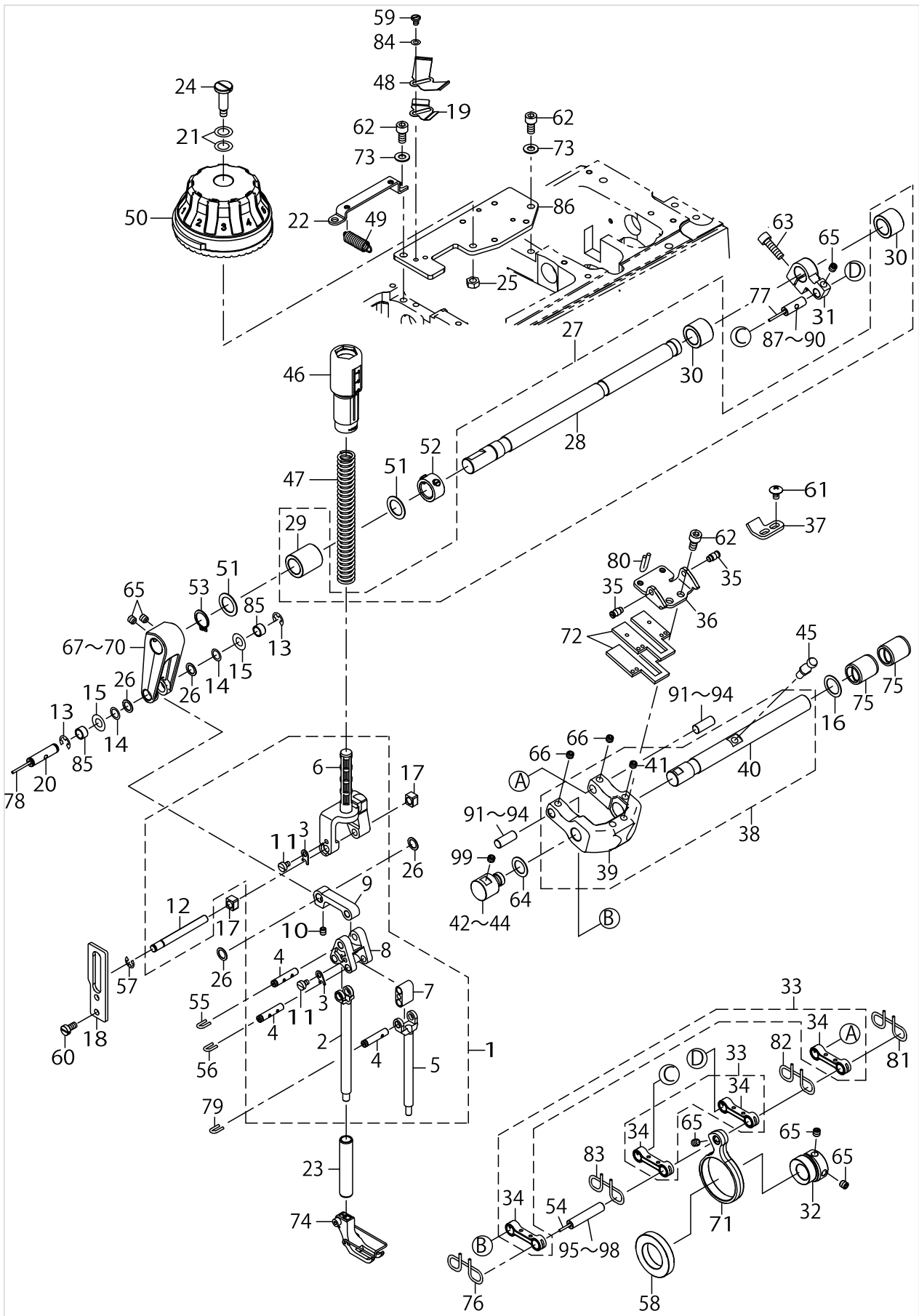
UPPER FEED COMPONENTS



UPPER FEED COMPONENTS

No.	Parts No.	Parts name	Remarks	Level	Cons	Qty
1	40169674	UPPER_FEED_F_ASM_E				1
2	40169678	PRESSURE_BAR_E		*		1
3	40178095	TRIANGLE_LEVER_SHAFT_STOPPER		*		2
4	40169675	CONNECTION_PIN		*		3
5	40169676	WALKING_BAR_E		*		1
6	40178169	SPRING_RECEIVING_E_ASM		*		1
7	40176628	WALKING BAR DRIVING LINK		*		1
8	40178171	TRIANGULAR_LEVER		*		1
9	40125854	UPPER_FEED_LINK_A		*		1
10	SM8050612TP	SCREW M5X6		*		1
11	SM6040650TP	SCREW		*		2
12	40169677	PRESSURE_BAR_GUIDE_SHAFT		*		1
13	RE0600000K0	E-RING 6				2
14	WP0820516SP	WASHER 11.6X8.2X0.6				2
15	B1223771000	NEEDLE ROD CRANK WASHER				2
16	40169681	UF_CHANGE_BASE_SHAFT_WASHER				1
17	40090058	SLIDE BLOCK				2
18	40125943	PRESSER ROD GUIDE				1
19	40154199	LEAF_SPRING_ADJUSTING_PLATE				1
20	40173071	UPPER_FEED_FRONT_ARM_PIN				1
21	40023627	PRESSER PLATE SHEET WASHER				2
22	40125867	SPRING_HOOK				1
23	40171574	PRESSER_BAR_BUSHING				1
24	SD0802126TP	SHOULDER SCREW D=8 H=21.2				1
25	NM6060001SD	NUT M6X1 TYPE1				1
26	E2613700000	WASHER				4
27	40123319	UPPER_FEED_SHAFT_ASM				1
28	40123262	UPPER_FEED_SHAFT		*		1
29	40123320	UPPER_FEED_SHAFT_METAL_F		*		1
30	40123321	UPPER_FEED_SHAFT_METAL_R		*		2
31	40126160	UPPER_FEED_REAR_ARM				1
32	40126390	UPPER_FEED_CAM				1
33	40126338	CONNECTION_LINK_ASM				2
34	40126223	CONNECTION_LINK		*		2
35	40038494	THREAD_BIND_ARM_SPRING RAC				2
36	40126269	CHANGE_BASE_SPRING_RACK				1
37	40126264	CHANGE_BASE_STOPPER				1
38	40169679	UPPER_FEED_CHANGE_BASE_ASM				1
39	40123414	UPPER_FEED_CHANGE_BASE		*		1
40	40169680	UF_CHANGE_BASE_SHAFT		*		1
41	SM80608A2TP	SCREW M6 L=8		*		1
42	40145548	UF_CHANGE_BASE_SUPPORT_PIN_A	SELECTIVE PARTS			1
43	40145549	UF_CHANGE_BASE_SUPPORT_PIN_B	SELECTIVE PARTS			1
44	40145550	UF_CHANGE_BASE_SUPPORT_PIN_C	SELECTIVE PARTS			1
45	40126374	VERTICAL_ADJUSTING_PIN				1
46	40125926	PRESSER_ADJUSTING_SCREW				1
47	40178333	PRESSER_SPRING			☆	1

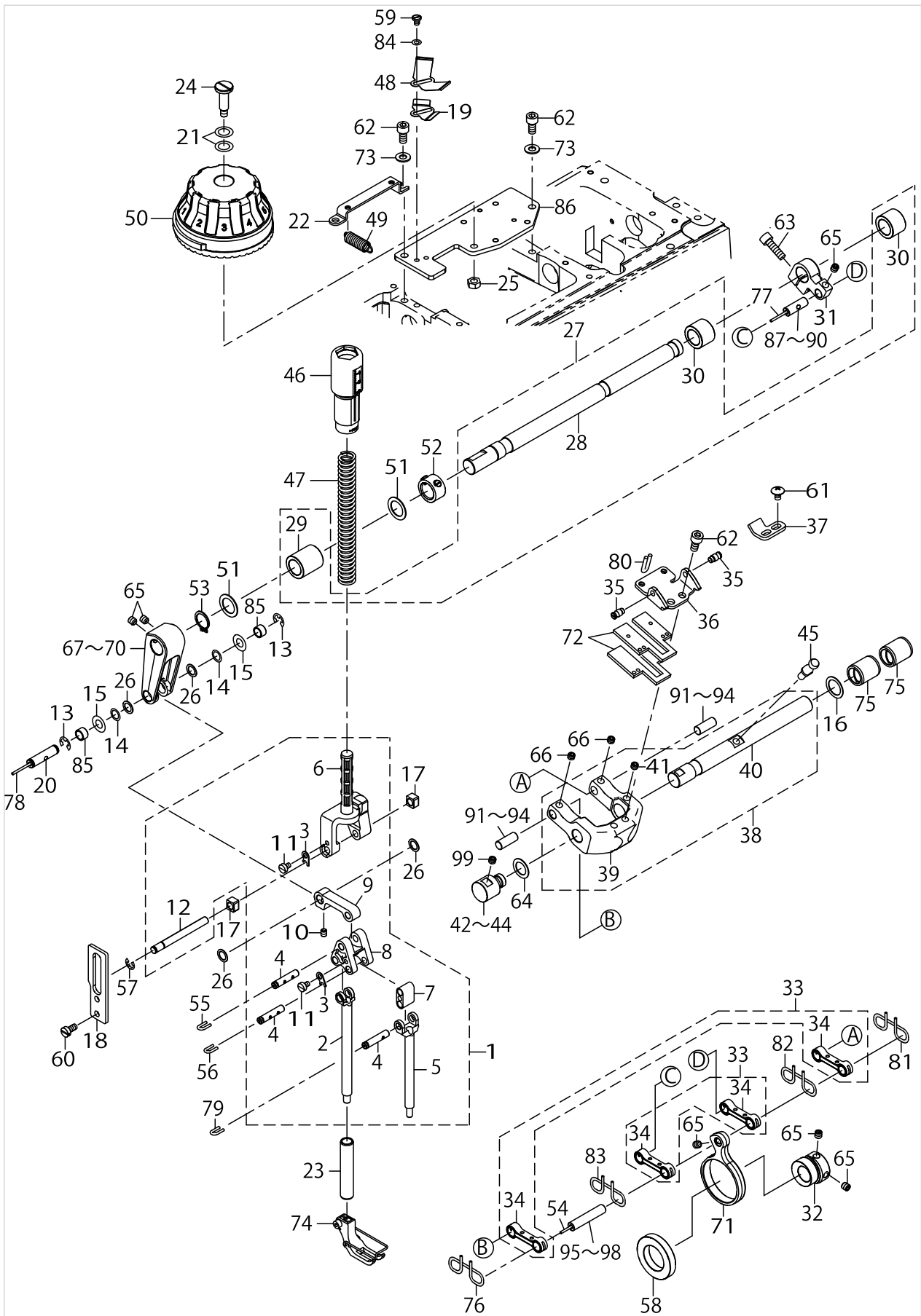
UPPER FEED COMPONENTS



UPPER FEED COMPONENTS

No.	Parts No.	Parts name	Remarks	Level	Cons	Qty
48	40112199	LEAF_SPRING				1
49	40126400	SPRING				2
50	40125850	VERTICAL_DIAL(VE)				1
51	40169682	UPPER_FEED_SHAFT_PLASTIC_WASHER				2
52	22904155	MAIN SHAFT THRUST COLLAR ASM.				1
53	RC0150001KP	C-RING 15(13.8)				1
54	CQ202000000	COTTON OIL WICK D=2				0.5
55	CQ252000000	COTTON OIL WICK D=2.5				0.21
56	CQ252000000	COTTON OIL WICK D=2.5				0.24
57	RE0500000K0	E-RING				1
58	SB125000600	BEARING				1
59	SM6040650TP	SCREW				2
60	SM6051000SP	SCREW				2
61	SM0050801SC	SCREW				2
62	SM6061202TP	SCREW M6 L=12				5
63	SM6062002TP	SCREW M6 L=20				1
64	40169687	WASHER				1
65	SM80606A2TP	SCREW M6 L=6				6
66	SM8060552TP	SCREW M6 L=5				2
67	40169683	UPPER_FEED_FRONT_ARM_A	SELECTIVE PARTS			1
68	40169684	UPPER_FEED_FRONT_ARM_B	SELECTIVE PARTS			1
69	40174550	UPPER_FEED_FRONT_ARM_C	SELECTIVE PARTS			1
70	40174551	UPPER_FEED_FRONT_ARM_D	SELECTIVE PARTS			1
71	40125876	UPPER_FEED_CAM_ROD				1
72	40123345	FELT				2
73	WP0651001SC	WASHER				2
74	10712552	PRESSER FOOT ASM.	EXCHANGING GAUGE PARTS (SEE.P.43)			1
75	40169686	FEED ROCKER SHAFT BUSHING				2
76	CQ202000000	COTTON OIL WICK D=2				0.25
77	CQ202000000	COTTON OIL WICK D=2				0.02
78	CQ202000000	COTTON OIL WICK D=2				0.02
79	CQ252000000	COTTON OIL WICK D=2.5				0.048
80	CQ202000000	COTTON OIL WICK D=2				0.1
81	CQ202000000	COTTON OIL WICK D=2				0.25
82	CQ202000000	COTTON OIL WICK D=2				0.25
83	CQ202000000	COTTON OIL WICK D=2				0.25
84	WP0430800SD	WASHER M4				4
85	40169685	UPPER_FEED_FRONT_ARM_PLASTIC_BUSH				2
86	40125868	INSTALLING_PLATE				1
87	40149115	ROCKING_LINK_PIN_A	SELECTIVE PARTS			1
88	40149116	ROCKING_LINK_PIN_B	SELECTIVE PARTS			1
89	40149117	ROCKING_LINK_PIN_C	SELECTIVE PARTS			1
90	40149118	ROCKING_LINK_PIN_D	SELECTIVE PARTS			1
91	40149120	FEED_ADJUSTING_PIN_A	SELECTIVE PARTS			2
92	40149121	FEED_ADJUSTING_PIN_B	SELECTIVE PARTS			2
93	40149122	FEED_ADJUSTING_PIN_C	SELECTIVE PARTS			2

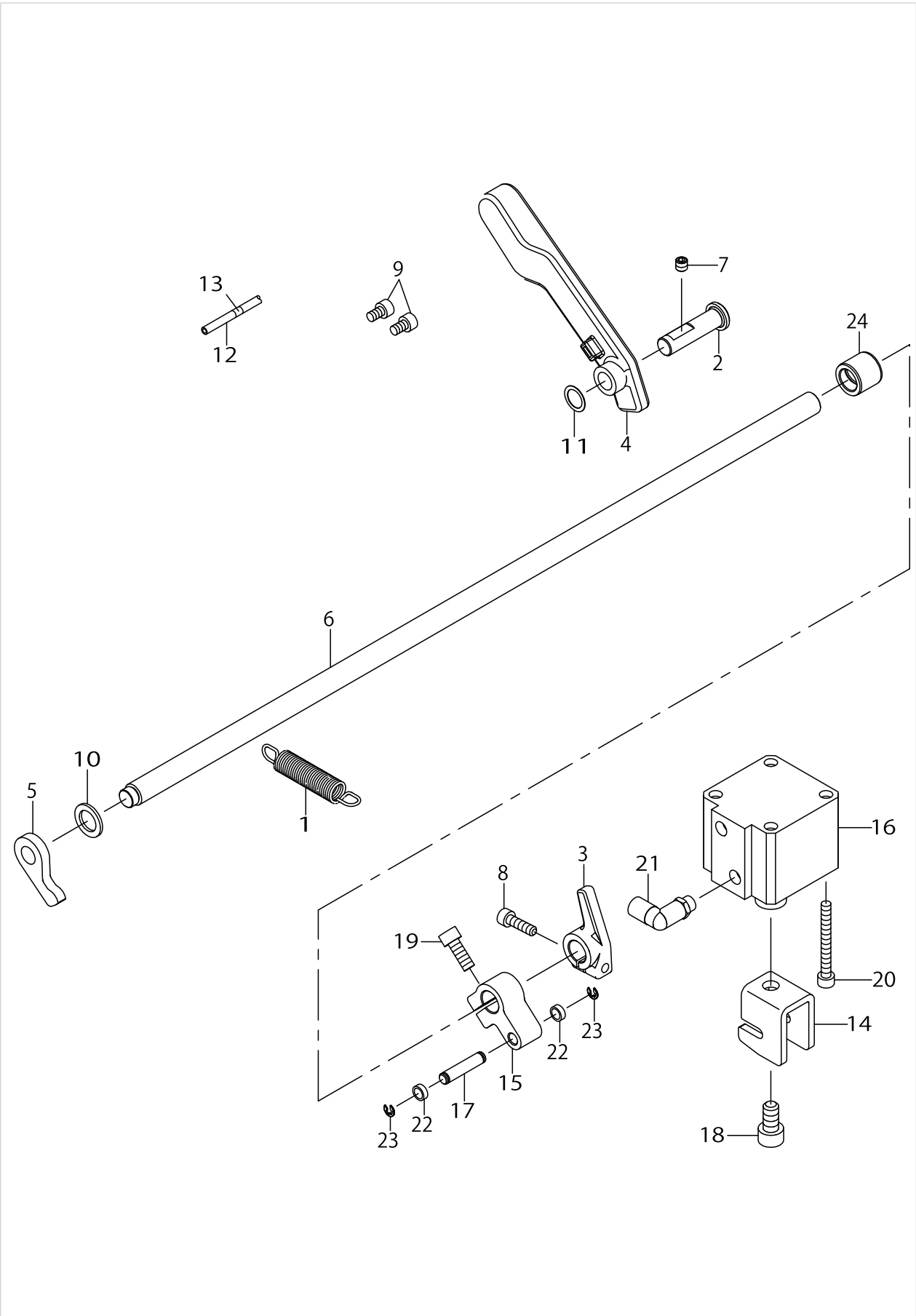
UPPER FEED COMPONENTS



UPPER FEED COMPONENTS

No.	Parts No.	Parts name	Remarks	Level	Cons	Qty
94	40149123	FEED_ADJUSTING_PIN_D	SELECTIVE PARTS			2
95	40149125	FEED_ROD_PIN_A	SELECTIVE PARTS			1
96	40149126	FEED_ROD_PIN_B	SELECTIVE PARTS			1
97	40149127	FEED_ROD_PIN_C	SELECTIVE PARTS			1
98	40149128	FEED_ROD_PIN_D	SELECTIVE PARTS			1
99	SM80608A2TP	SCREW M6 L=8				1

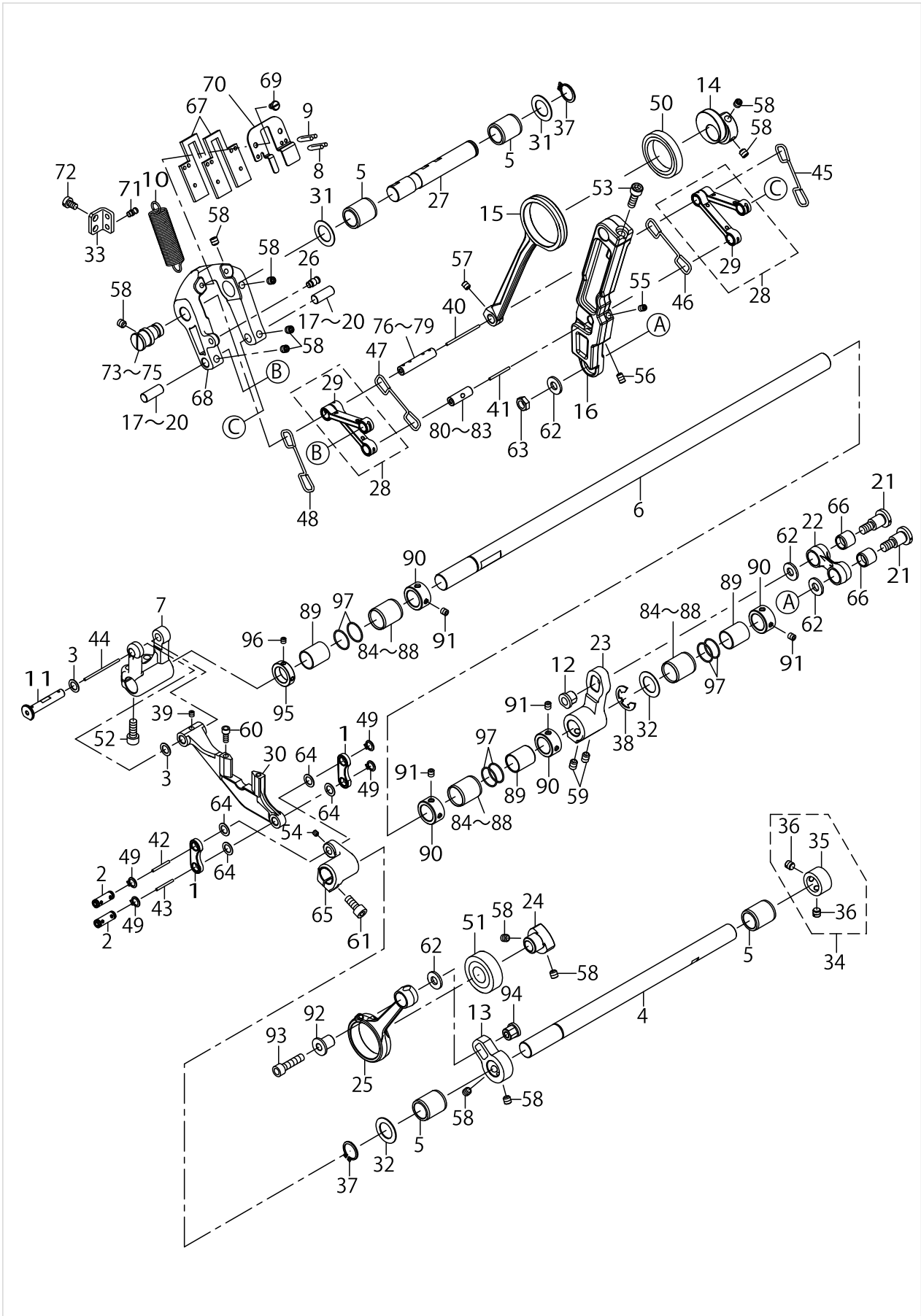
HAND LIFTER & AUTO LIFTER COMPONENTS



HAND LIFTER & AUTO LIFTER COMPONENTS

No.	Parts No.	Parts name	Remarks	Level	Cons	Qty
1	40126367	SPRING				1
2	40006716	THREAD_TRIMMER_SHAFT				1
3	40112184	LIFTER_LEVER_A				1
4	40126150	LIFTER_LEVER_B				1
5	40144283	LIFTER PLATE				1
6	40126364	LIFTER_SHAFT				1
7	SM8060612TP	SCREW M6 L=6				1
8	SM6051802TP	SCREW M5 L=18				1
9	SM6050802TP	SCREW M5X0.8 L=8				2
10	13409107	WASHER				1
11	WZ1052010KP	WAVED WASHER				1
12	BT0400251EB	URETHANE HOSE BLACK				1
13	18035303	WIRE MARK (4)				1
14	40112187	KNUCKLE_JOINT_A				1
15	40112188	LIFTING_ARM				1
16	PA400150200	AIR CYLINDER				1
17	22949101	ROLLER FULCRUM SHAFT				1
18	SM6081552TP	SCREW M8 L=15				1
19	SM6061602TP	SCREW M6 L=16				1
20	SM6054502TN	SCREW M5 L=45				4
21	PJ304045102	ELBOW UNION C				1
22	13951009	PRESSER FOOT ROLLER				2
23	RE0400000K0	E-RING 4				2
24	40086018	BUSHING_MAIN_FEED				1

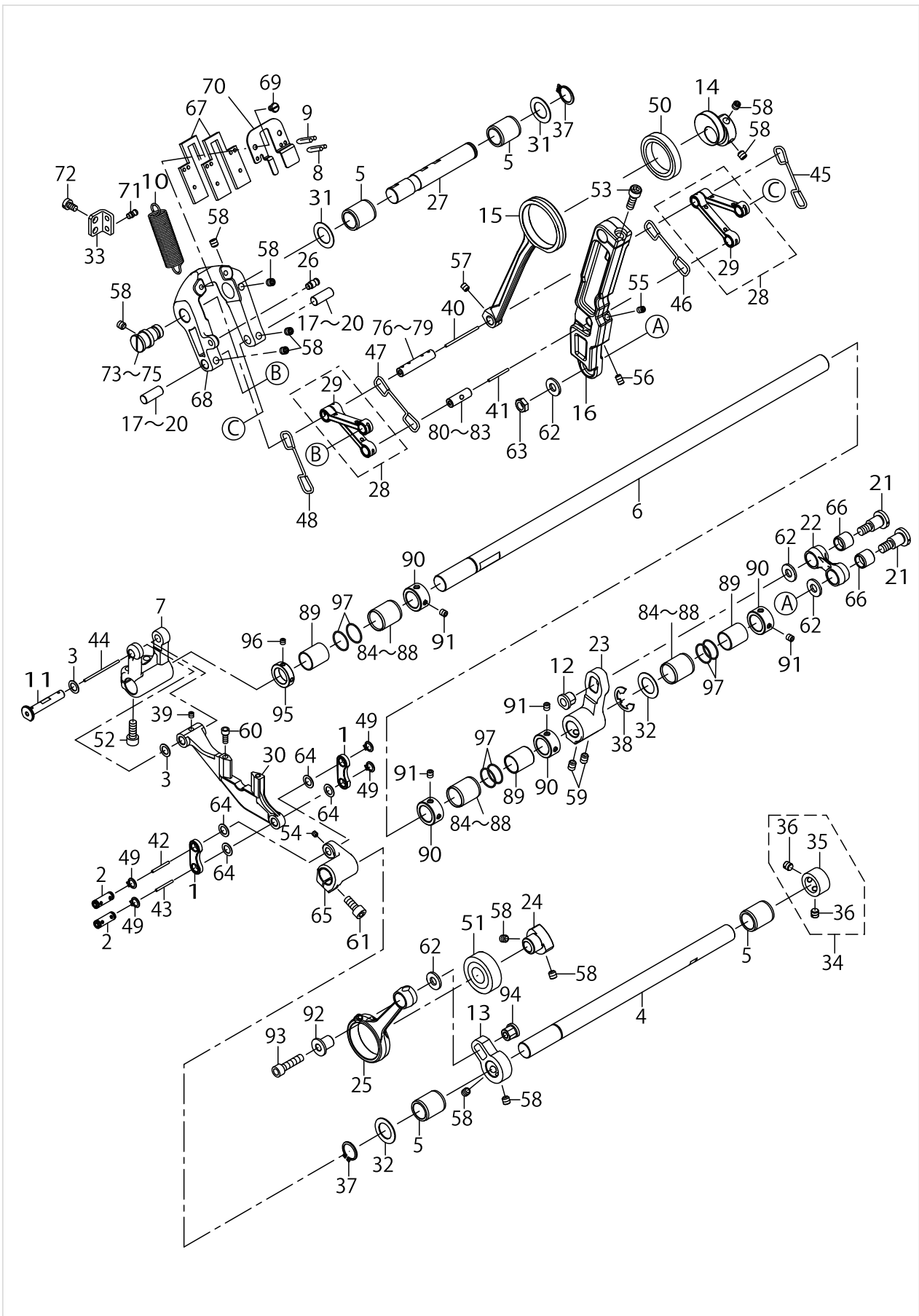
LOWER FEED COMPONENTS



LOWER FEED COMPONENTS

No.	Parts No.	Parts name	Remarks	Level	Cons	Qty
1	40123666	VERTICAL_LINK				2
2	40169688	VERTICAL_FEED_LINK_SHAFT				2
3	WP0740516SP	WASHER 7.4X11.8X0.5				2
4	40123667	VERTICAL_FEED_LINK				1
5	40169686	FEED ROCKER SHAFT BUSHING				4
6	40169694	HORIZONTAL_FEED_SHAFT				1
7	40169695	FEED_BASE_ARM				1
8	CQ202000000	OIL WICK				0.05
9	CQ202000000	COTTON OIL WICK D=2				0.05
10	40126401	SPRING_B				1
11	40169696	FEED_BASE_SHAFT				1
12	40126357	VERTICAL_FEED_ROD_NUT				1
13	40125843	VERTICAL_FEED_ARM_REAR				1
14	40123626	HORIZONTAL_FEED_CAM				1
15	40126151	HORIZONTAL_FEED_ROD				1
16	40123547	NEEDLE_BAR_ROCKING_LINK				1
17	40149120	FEED_ADJUSTING_PIN_A	SELECTIVE PARTS			2
18	40149121	FEED_ADJUSTING_PIN_B	SELECTIVE PARTS			2
19	40149122	FEED_ADJUSTING_PIN_C	SELECTIVE PARTS			2
20	40149123	FEED_ADJUSTING_PIN_D	SELECTIVE PARTS			2
21	SD1021251SP	SHOULDER SCREW D=10.2 H=12.5				2
22	40125856	CONNECTION_LINK				1
23	40169697	HORIZONTAL_FEED_ARM				1
24	40169698	VERTICAL_FEED_CAM				1
25	40125857	VERTICAL_FEED_ROD				1
26	40137780	SPRING_RAC				1
27	40123332	CHANGE_BASE_SHAFT				1
28	40126339	CONNECTION_LINK_ASM				2
29	40123252	CONNECTION_LINK		*		2
30	40112293	FEED_BASE				1
31	D1231555B00	WASHER				2
32	B125578100A	WASHER A				2
33	40137779	SUPPORT_PLATE				1
34	22904155	MAIN SHAFT THRUST COLLAR ASM.				1
35	22904106	MAIN SHAFT THRUST COLLAR		*		1
36	SS8660610TP	SCREW 1/4-40 L=6		*		2
37	RC0150001KP	C-RING 15(13.8)				2
38	RE1200000K0	E-RING 12				1
39	SS8110422TP	SCREW 11/64-40 L=4				1
40	CQ202000000	COTTON OIL WICK D=2				0.042
41	CQ202000000	COTTON OIL WICK D=2				0.02
42	CQ202000000	COTTON OIL WICK D=2				0.024
43	CQ202000000	COTTON OIL WICK D=2				0.024
44	CQ202000000	COTTON OIL WICK D=2				0.04
45	CQ202000000	COTTON OIL WICK D=2				0.3
46	CQ202000000	COTTON OIL WICK D=2				0.3
47	CQ202000000	COTTON OIL WICK D=2				0.3

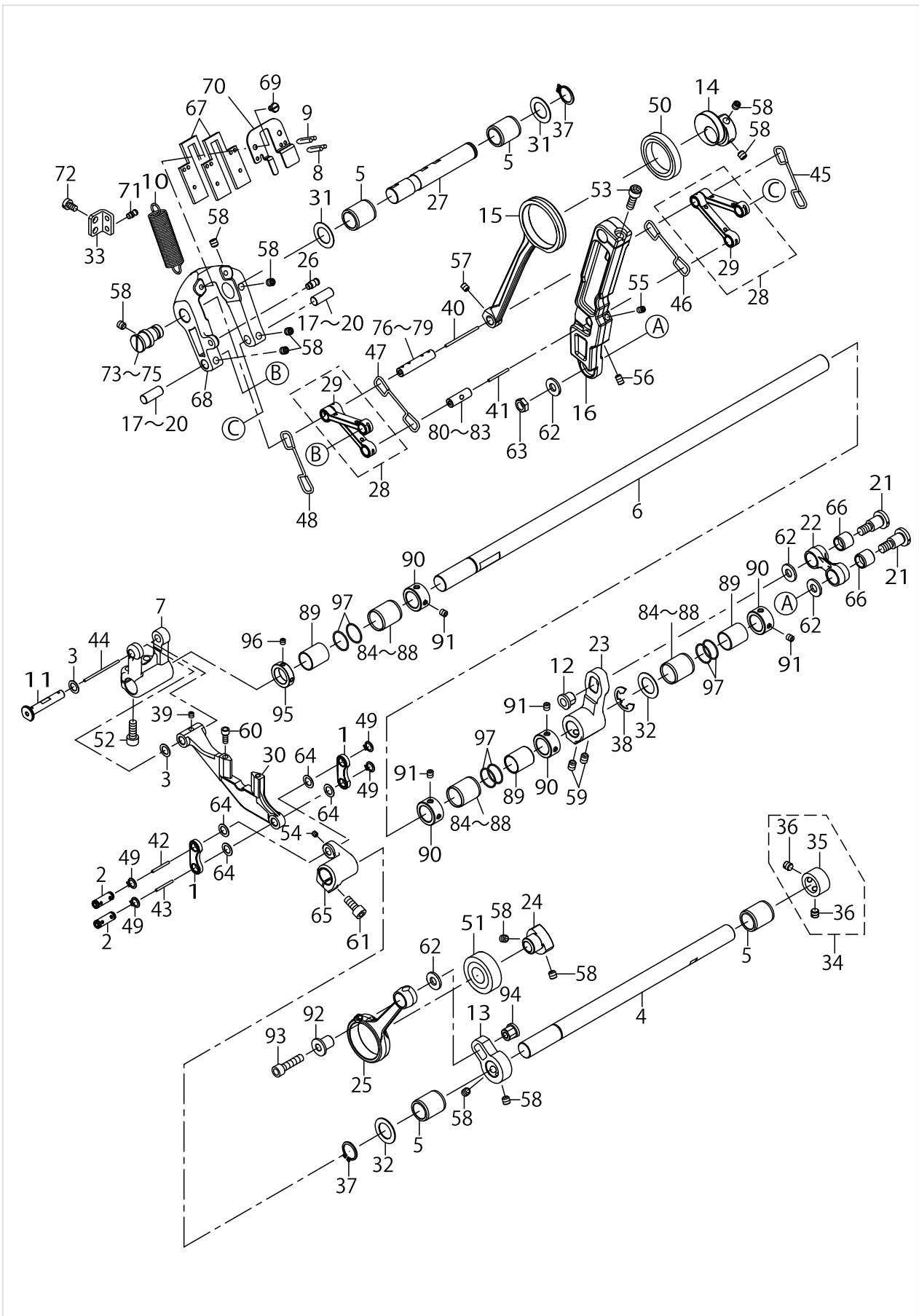
LOWER FEED COMPONENTS



LOWER FEED COMPONENTS

No.	Parts No.	Parts name	Remarks	Level	Cons	Qty
48	CQ20200000	COTTON OIL WICK D=2				0.3
49	RC0650811KP	C-RING 7(6.5)				4
50	40143087	BEARING				1
51	SB117000700	BEARING				1
52	SM6061602TP	SCREW M6 L=16				2
53	SM6061802TP	SCREW M6 L=18				1
54	SM8040412TP	SET SCREW M4 L=4				1
55	SM8050842TP	SETSCREW				1
56	SM8050812TP	SCREW M5X8				1
57	SM80506A2TP	SCREW M5 L=6				1
58	SM80606A2TP	SCREW M6 L=6				11
59	SM80608A2TP	SCREW M6 L=8				2
60	SS6111052TP	SCREW				2
61	SM6061402TP	SCREW M6 L=14				1
62	26018705	WASHER				4
63	NS6680410SP	NUT 9/32-28				1
64	WP0740516SP	WASHER 7.4X11.8X0.5				4
65	40125935	VERTICAL_FEED_ARM_FRONT				1
66	40126359	CONNECTION LINK BUSH				2
67	40123345	FELT				2
68	40137553	HORIZONTAL_FEED_CHANGE_BASE				1
69	SM6040650TP	SCREW				1
70	40137554	FELE HOLDER				1
71	26017400	SPRING RAC				1
72	SM6050800SP	SCREW M5 L=8				2
73	40171795	HF_CHANGE_BASE_SUPPORT_PIN_A	SELECTIVE PARTS			1
74	40171796	HF_CHANGE_BASE_SUPPORT_PIN_B	SELECTIVE PARTS			1
75	40171797	HF_CHANGE_BASE_SUPPORT_PIN_C	SELECTIVE PARTS			1
76	40149125	FEED_ROD_PIN_A	SELECTIVE PARTS			1
77	40149126	FEED_ROD_PIN_B	SELECTIVE PARTS			1
78	40149127	FEED_ROD_PIN_C	SELECTIVE PARTS			1
79	40149128	FEED_ROD_PIN_D	SELECTIVE PARTS			1
80	40149115	ROCKING_LINK_PIN_A	SELECTIVE PARTS			1
81	40149116	ROCKING_LINK_PIN_B	SELECTIVE PARTS			1
82	40149117	ROCKING_LINK_PIN_C	SELECTIVE PARTS			1
83	40149118	ROCKING_LINK_PIN_D	SELECTIVE PARTS			1
84	40178995	HORIZONTAL FEED SHAFT BUSHING F	SELECTIVE PARTS			3
85	40178996	HORIZONTAL FEED SHAFT BUSHING G	SELECTIVE PARTS			3
86	40169693	HORIZONTAL FEED SHAFT BUSHING C	SELECTIVE PARTS			3
87	40174552	HORIZONTAL FEED SHAFT BUSHING D	SELECTIVE PARTS			1
88	40174553	HORIZONTAL FEED SHAFT BUSHING E	SELECTIVE PARTS			1
89	40169690	H_FEED_SHAFT_PLASTIC_BUSHING				3
90	CS1501181TP	THRUST COLLAR D=15 W=11				4
91	SM8050512TP	SCREW				8
92	40154833	VERTICAL FEED COLLAR				1
93	SM6062502TP	SCREW M6 L=25				1
94	40154832	VERTICAL FEED ROD NUT				1

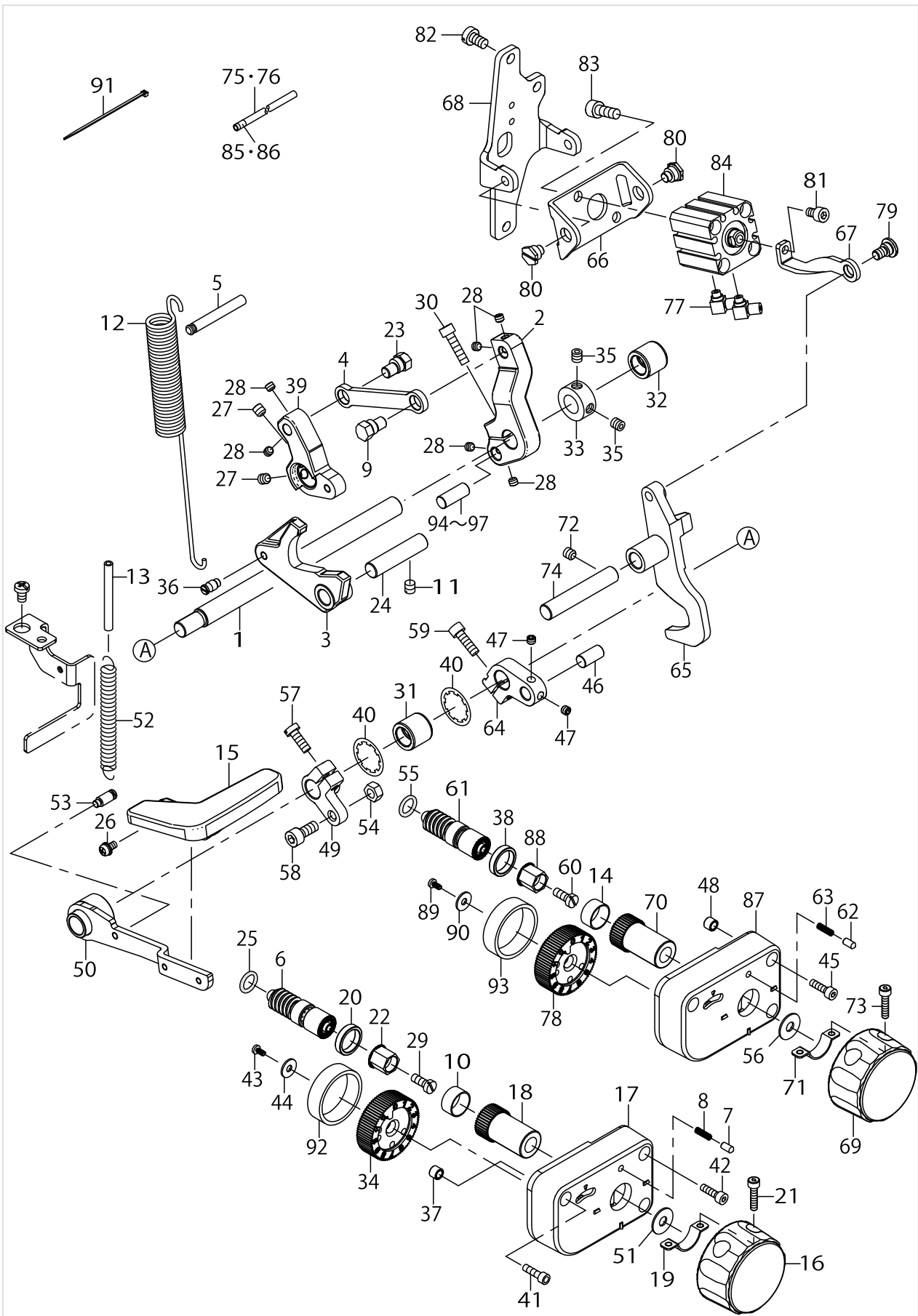
LOWER FEED COMPONENTS



LOWER FEED COMPONENTS

No.	Parts No.	Parts name	Remarks	Level	Cons	Qty
95	40171825	THRUST_COLLAR				1
96	SM8040412TP	SET SCREW M4 L=4				2
97	40176440	O-RING				6

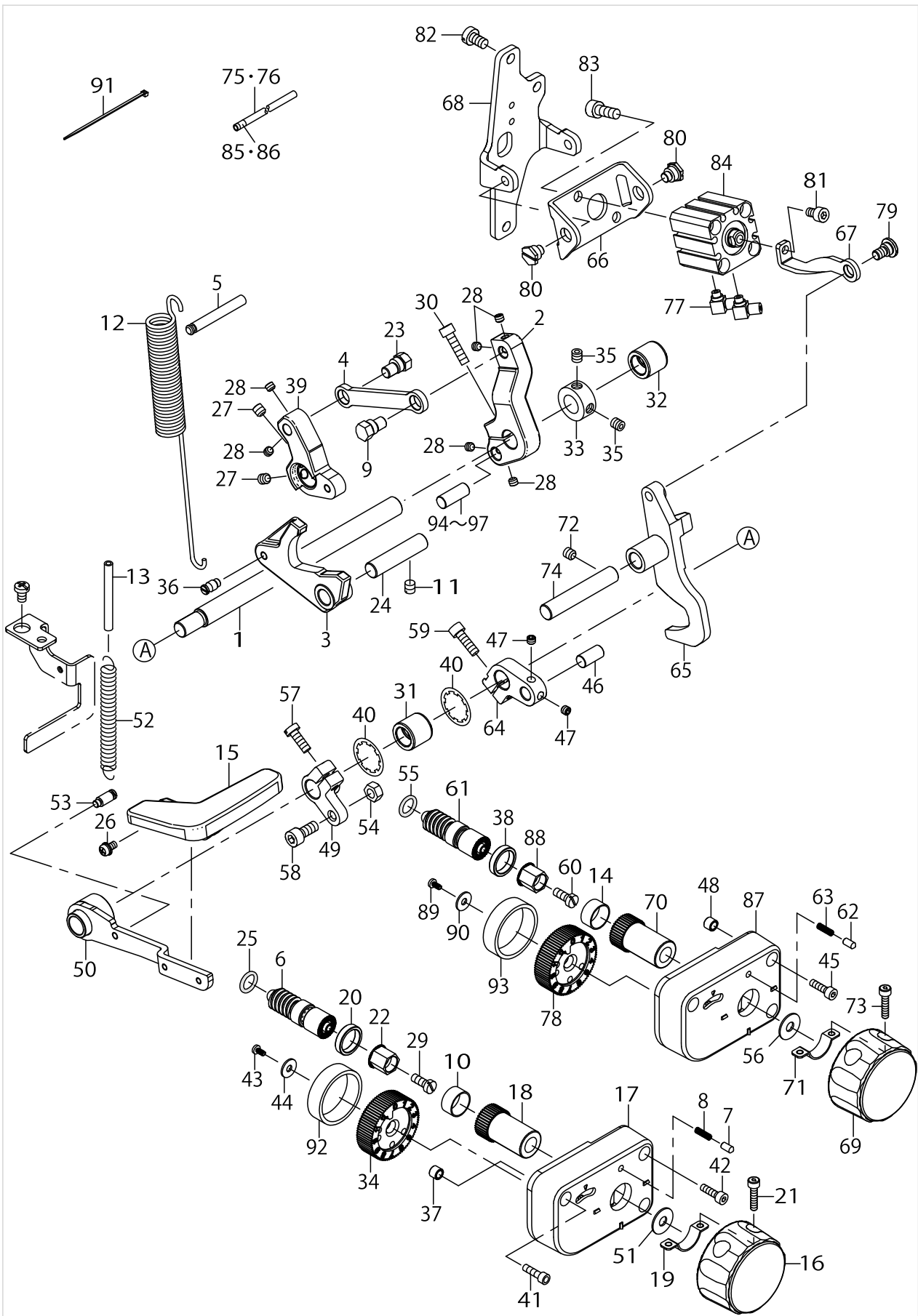
FEED ADJUST COMPONENTS



FEED ADJUST COMPONENTS

No.	Parts No.	Parts name	Remarks	Level	Cons	Qty
1	40126363	BACKWARD_FEED_LEVER_SHAFT				1
2	40129986	FEED_ADJUSTING_PIN HOLDER_A				1
3	40129984	ADJUSTING_BASE_A				1
4	40129988	FEED_ADJUSTING_LINK				1
5	40134528	ANCHOR				1
6	22911804	FEED REGULATOR SCREW			☆	1
7	10715704	VERTICAL DIAL PIN			☆	1
8	B152652700G	SPRING				1
9	40169702	FEED_ADJUST_PIN				1
10	40137613	DIAL_GEAR_BUSH				1
11	SM8060612TP	SCREW M6 L=6				1
12	40134105	FEED_ADJUSTING_BASE_SPRING				1
13	23630007	TUBE				0.08
14	40137613	DIAL_GEAR_BUSH				1
15	40126116	REVERSE_FEED_LEVER_DRAFT				1
16	40130004	FEED_DIAL_KNOB			☆	1
17	40130001	FEED_DIAL_COVER_A				1
18	40130003	FEED_DIAL_GEAR				1
19	40130005	FEED_DIAL_SUPPORT_PLATE				1
20	40133826	SPACER				1
21	SM6041802TP	SCREW M4 L=18				2
22	40130006	HEXA_SHAFT				1
23	40169702	FEED_ADJUST_PIN				1
24	40169629	HEAD_FIXED_SHAFT				1
25	RO092270200	O-RING			☆	1
26	SL4040881SC	SCREW M4 L=8				2
27	SM8060612TP	SCREW M6 L=6				2
28	SM8050412TP	SCREW M5 L=4				6
29	SS6121210SP	SCREW 3/16-28 L=12				1
30	SM6052002TP	SCREW M5X0.8 L=20				1
31	13424502	BUSHING FRONT				1
32	40143624	BACKWARD_LEVER_SHAFT_BUSH				1
33	CS1201171TP	THRUST COLLAR D=12 W=11				1
34	40132118	FEED_DIAL_PLATE_A				1
35	SM8060612TP	SCREW M6 L=6				2
36	40137780	SPRING RAC				1
37	B4122804000	ROLLER				1
38	40133826	SPACER				1
39	40130412	FEED_ADJUSTING_ARM_BT				1
40	WT1780011KP	TOOTHED WASHER 18				2
41	SM6041402TP	SCREW M4 L=14				1
42	SM6040802TP	SCREW M4X0.7 L=8				2
43	40130820	SCREW				1
44	WP0431005SP	PLAIN WASHER				1
45	SM6041402TP	SCREW M4 L=14				3
46	40171826	FEED_ADJUSTING_PIN				1
47	SM8050412TP	SCREW M5 L=4				2

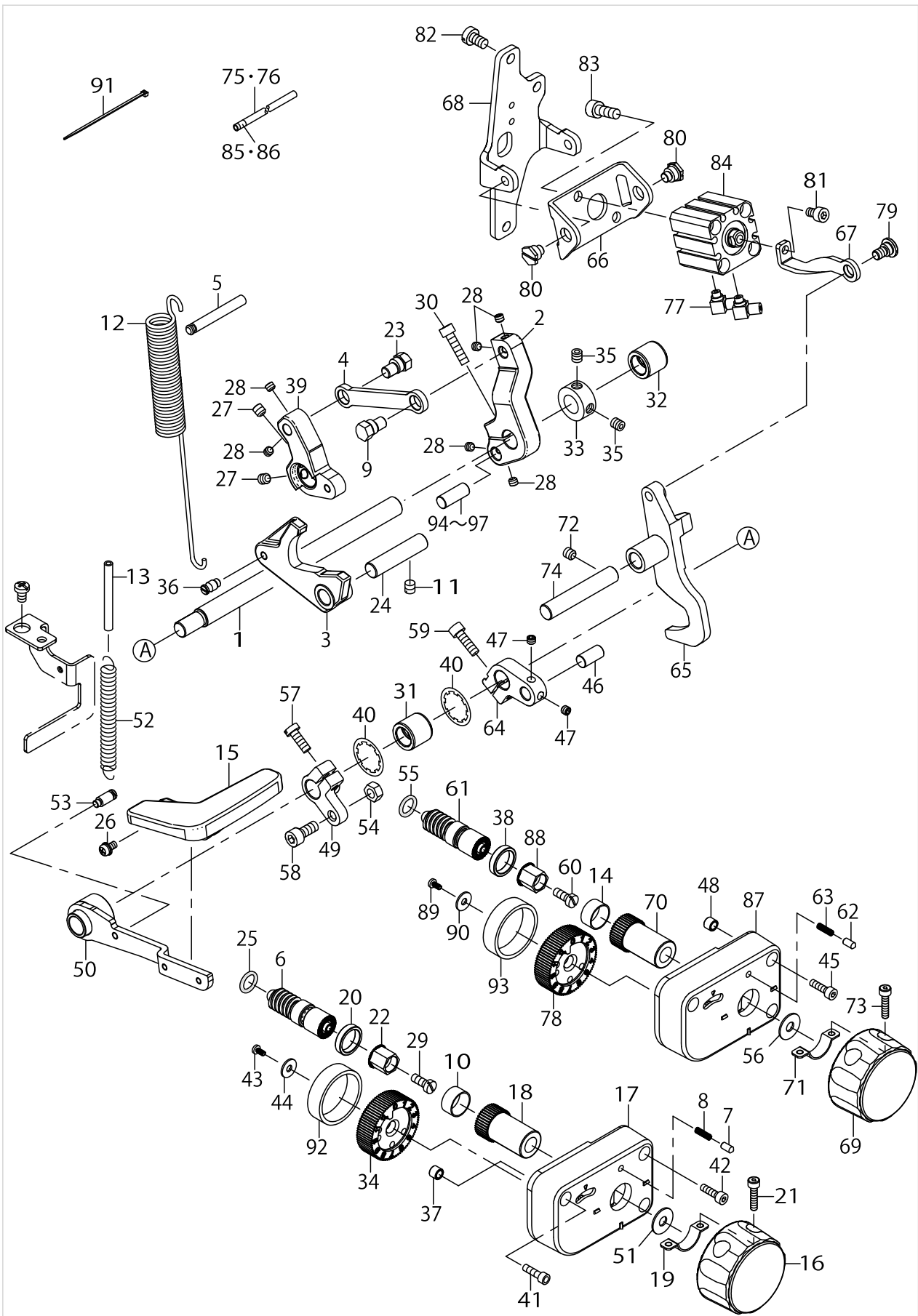
FEED ADJUST COMPONENTS



FEED ADJUST COMPONENTS

No.	Parts No.	Parts name	Remarks	Level	Cons	Qty
48	B4122804000	ROLLER				3
49	40112127	BACKWARD_FEED_CONNECTING_ARM				1
50	40129991	REVERSE_FEED_LEVER_ASM				1
51	WP0621036SP	WASHER				4
52	D2629M1YC0F	SPRING				1
53	26229302	SUSPENSION SCREW				1
54	NM6050001SD	NUT M5X0.8 TYPE1				1
55	RO092270200	O-RING			☆	1
56	WP0621036SP	WASHER				4
57	SM6051400SP	SCREW				1
58	SM6051202TP	SCREW M5X0.8 L=12				1
59	SM6051602TP	SCREW M5X0.8 L=16				1
60	SS6121210SP	SCREW 3/16-28 L=12				1
61	22911804	FEED REGULATOR SCREW			☆	1
62	10715704	VERTICAL DIAL PIN			☆	1
63	B152652700G	SPRING				1
64	40125858	FEED_ADJUSTING_PIN HOLDER_B				1
65	40129985	ADJUSTING_BASE_B				1
66	40126642	CYLINDER_BASE_A				1
67	40129999	CYLINDER_JOINT_B				1
68	40126643	CYLINDER_BASE_B				1
69	40130004	FEED_DIAL_KNOB			☆	1
70	40130003	FEED_DIAL_GEAR				1
71	40130005	FEED_DIAL_SUPPORT_PLATE				1
72	SM8060612TP	SCREW M6 L=6				1
73	SM6041802TP	SCREW M4 L=18				2
74	40077931	PRESSURE_LOWERING_SHAFT				1
75	BT0400251EB	URETHANE TUBE BLACK 4X2.5				0.36
76	BT0400251EB	URETHANE TUBE BLACK 4X2.5				0.36
77	PJ046052503	HOSE ELBOW				2
78	40132118	FEED_DIAL_PLATE_A				1
79	SD0800346TP	SHOULDER SCREW D=8 H=3.4				1
80	SD0900426TP	SHOULDER SCREW D=9 H=4.2				2
81	SM6050802TP	SCREW M5X0.8 L=8				1
82	SM6061010TP	SCREW M6 L=10				3
83	SM6061602TP	SCREW M6 L=16				2
84	PA200150900	AIR CYLINDER				1
85	18035006	CABLE MARK NO.1				1
86	18035105	WIRE MARK (2)				1
87	40130819	FEED_DIAL_COVER_B				1
88	40130006	HEXA_SHAFT				1
89	40130820	SCREW				1
90	WP0431005SP	PLAIN WASHER				1
91	EA9500B0100	CABLE BAND				1
92	40137612	DIAL PLATE BUSH				1
93	40137612	DIAL PLATE BUSH				1
94	40149120	FEED_ADJUSTING_PIN_A	SELECTIVE PARTS			1

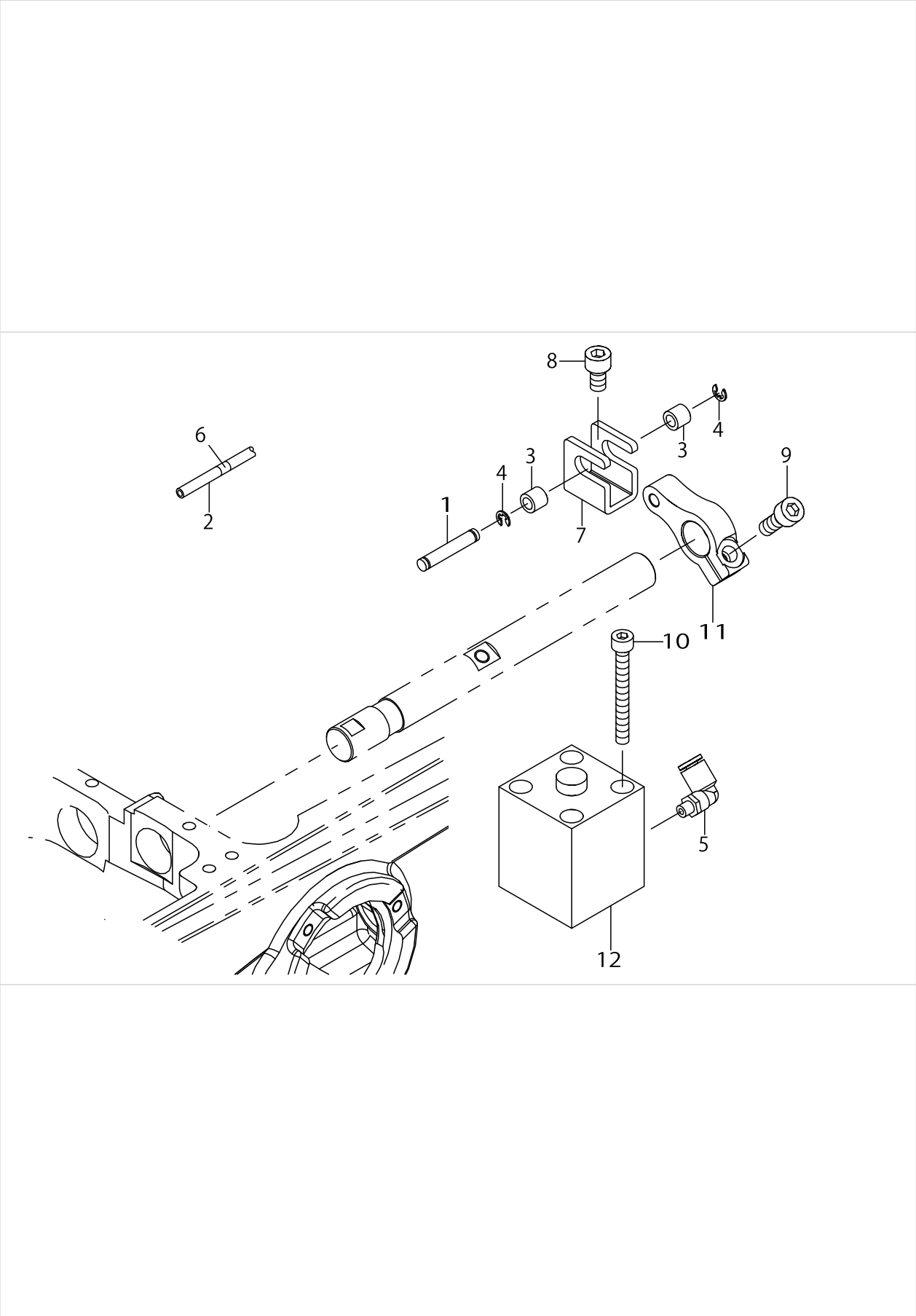
FEED ADJUST COMPONENTS



FEED ADJUST COMPONENTS

No.	Parts No.	Parts name	Remarks	Level	Cons	Qty
95	40149121	FEED_ADJUSTING_PIN_B	SELECTIVE PARTS			1
96	40149122	FEED_ADJUSTING_PIN_C	SELECTIVE PARTS			1
97	40149123	FEED_ADJUSTING_PIN_D	SELECTIVE PARTS			1

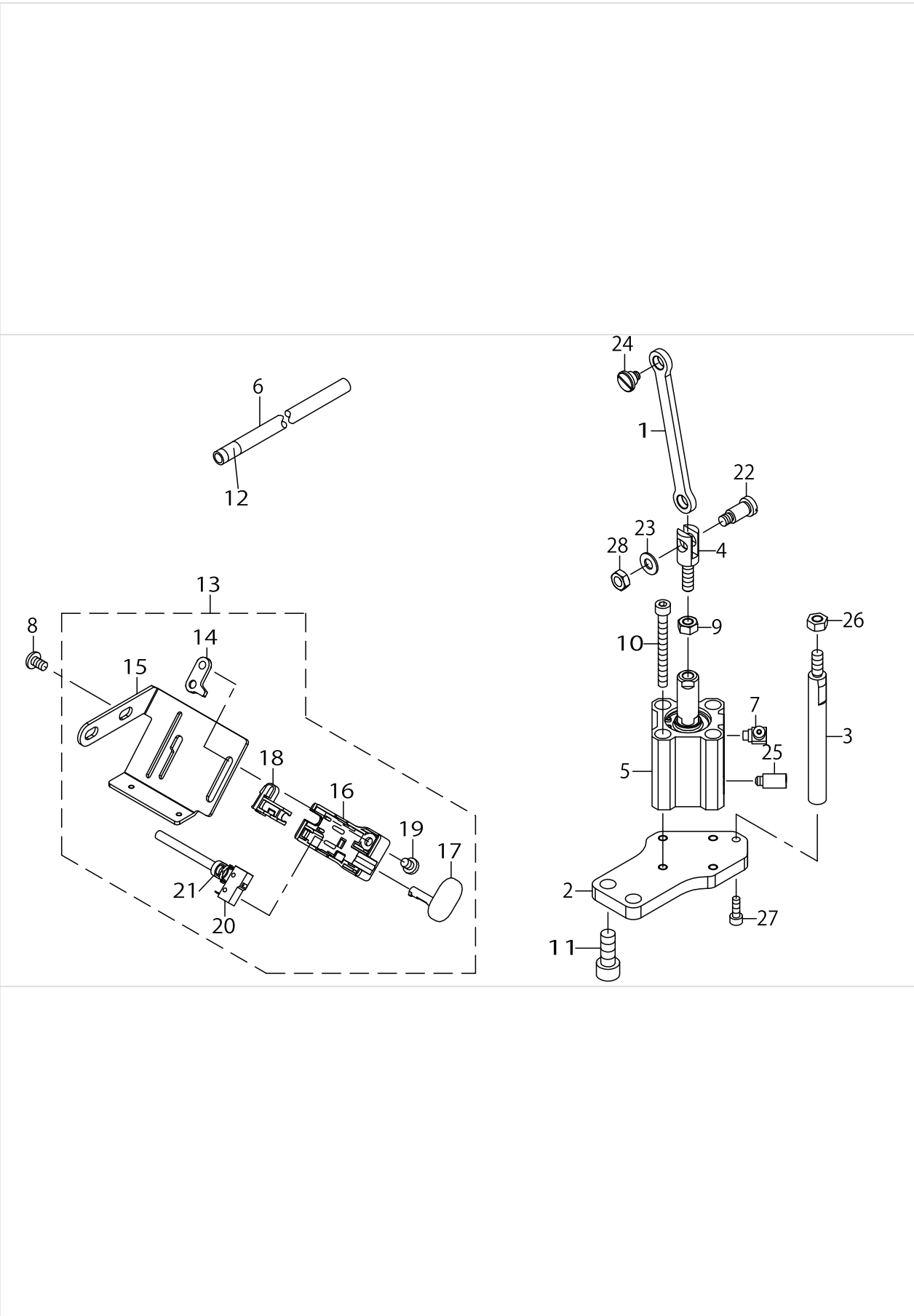
DL COMPONENTS



DL COMPONENTS

No.	Parts No.	Parts name	Remarks	Level	Cons	Qty
1	B1504210000	CONNECTING SHAFT				1
2	BT0400251EB	URETHANE TUBE BLACK 4X2.5				0.58
3	B3031141H00	CONNECTING STUD				2
4	RE0320000K0	E-RING 3.2				2
5	PJ304040504	UNION				1
6	18035501	WIRE MARK (6)				1
7	40112191	KNUCKLE_JOINT_B				1
8	SM6061002TP	SCREW M6 L=10				1
9	SM6061602TP	SCREW M6 L=16				1
10	SM6054502TP	SCREW M5X0.8 L=45				2
11	40112192	TERTICAL_CYLINDER_ARM				1
12	PA250250900	AIR CYLINDER				1

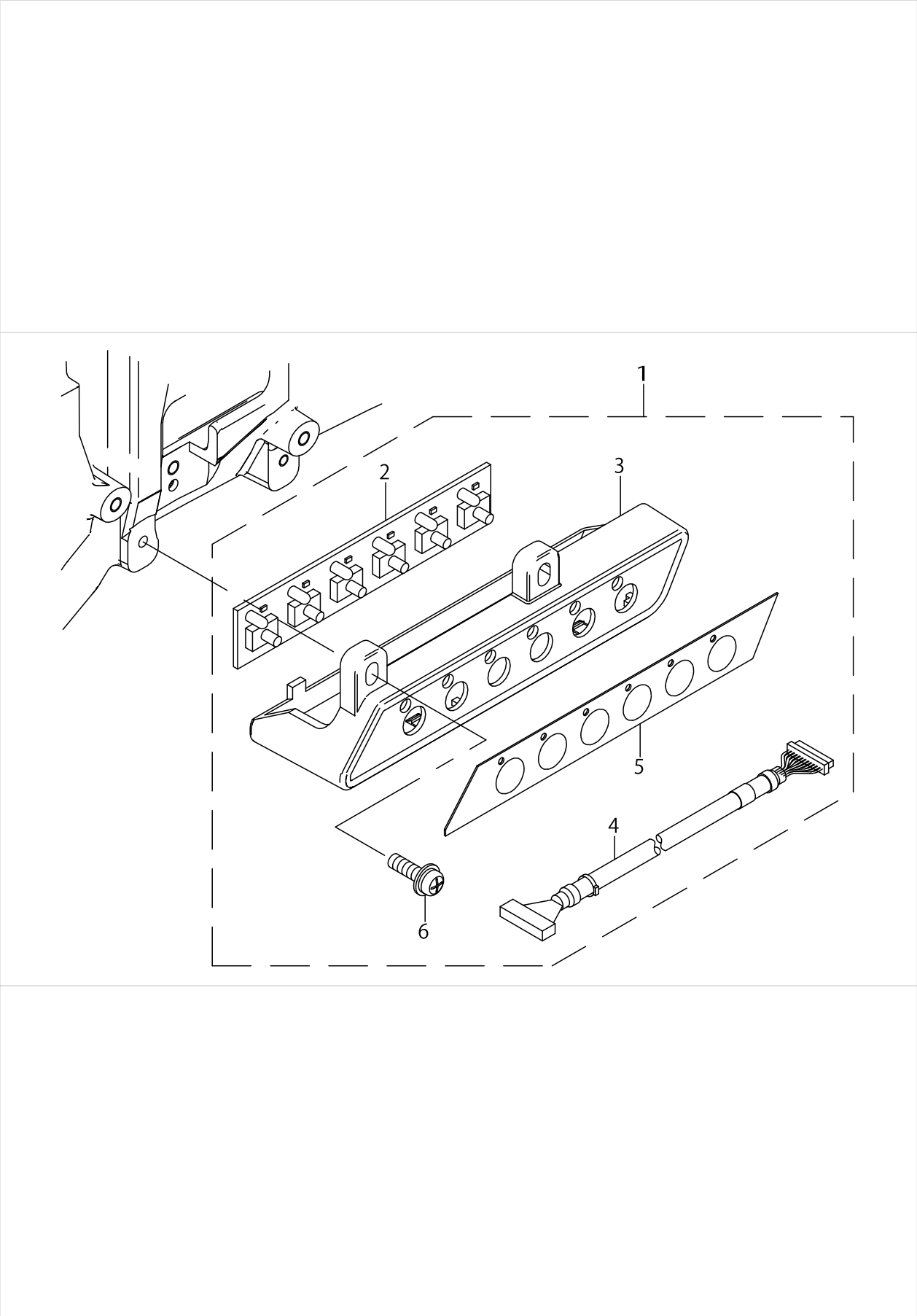
AUTO BT COMPONENTS



AUTO BT COMPONENTS

No.	Parts No.	Parts name	Remarks	Level	Cons	Qty
1	40147946	BT_LINK				1
2	40147947	BT_CYLINDER_PLATE				1
3	40147948	BT_PLATE_STUD				1
4	40052254	CYLINDER KNUCKLE JOINT				1
5	PA250250900	AIR CYLINDER				1
6	BT0400251EB	URETHANE TUBE BLACK 4X2.5				0.3
7	PJ046052503	HOSE ELBOW				1
8	SM4050855SP	SCREW				2
9	NM6060001CP	NUT M6X1 TYPE1				1
10	SM6055002TP	SCREW M5 L=50				4
11	SM6082002TP	SCREW M8 L=20				2
12	18035907	WIRE MARK (10)				1
13	40112288	TB_SWITCH_ASSY				1
14	23632102	REVERSE FEED SWITCH BASE GUIDE		*		1
15	40112213	TB_SW_MOUNTING_PLATE		*		1
16	23631708	REVERSE FEED SWITCH COVER		*		1
17	23631807	REVERSE FEED SWITCH SHAFT		*		1
18	23631906	REVERSE FEED SWITCH SUPPORT		*		1
19	SS7110740TP	SCREW 11/64-40 L=7		*		1
20	40126129	REVERSE FEED CORD ASM		*		1
21	EA9500B0100	CABLE BAND		*		1
22	SD0791271SP	HINGE SCREW D=7.94 H=12.7				1
23	WP0621016SD	WASHER 6.2X13X1				1
24	SD0800406TP	SHOULDER SCREW D=8 H=4				1
25	PX050501000	SILENCER				1
26	NM6060001SC	NUT M6X1 TYPE1				1
27	SM6041202TP	SCREW M4X0.7 L=12				1
28	NS6150430SP	HEXAGONAL NUT 15/64-28				1

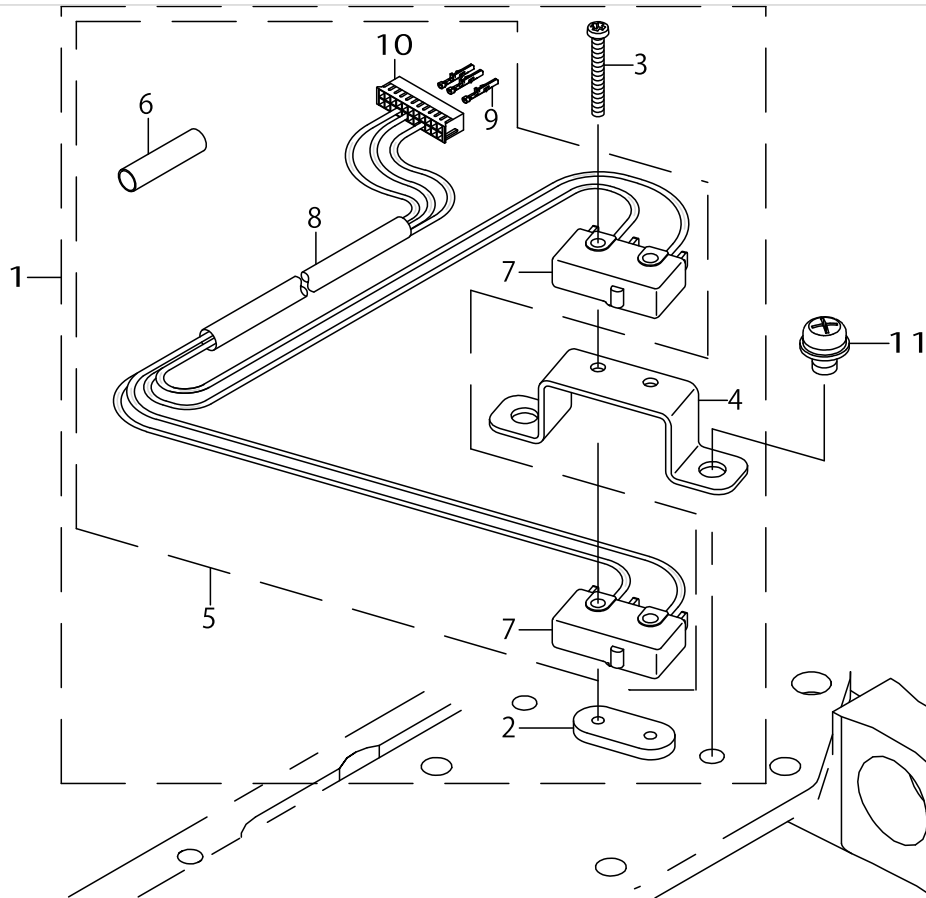
6-RANGE SW COMPONENTS



6-RANGE SW COMPONENTS

No.	Parts No.	Parts name	Remarks	Level	Cons	Qty
1	40105508	6RANGE SWITCH ASM				1
2	40105510	6RANGE SWITCH PCB ASSY		*		1
3	40112215	6RANGE_SWITCH_COVER		*		1
4	40105509	6RANGE SWITCH CABLE ASM		*		1
5	40112216	PANEL SHEET		*		1
6	SL4041491SC	SCREW 4X14		*		2

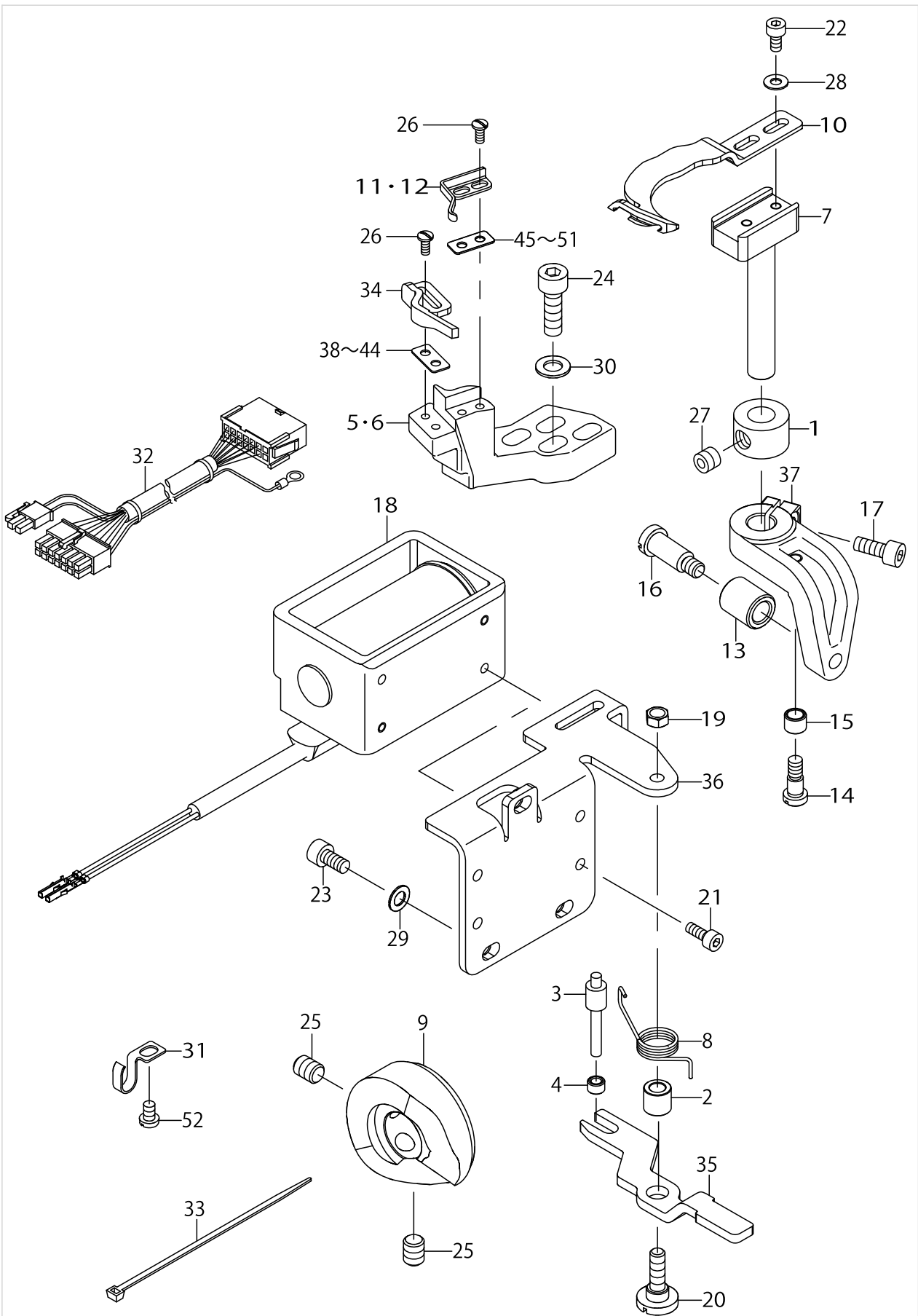
SPEED ADJUST COMPONENTS



SPEED ADJUST COMPONENTS

No.	Parts No.	Parts name	Remarks	Level	Cons	Qty
1	40126260	VERTICAL_DETECTOR_SWITCH_ASM				1
2	23638406	SAFETY SWITCH NUT		*		1
3	SM4021601SN	SCREW M2 L=16		*		2
4	40126259	SENSOR_BRACKET		*		1
5	40126131	SPEED CONTROL CORD ASM		*		1
6	E8760452D00	TUBE 0.015M		*		0.03
7	HA004680000	SWITCH		*		2
8	HW000840040	SHEATH CABLE		*		1.37
9	HK075230000	TERMINAL		*		3
10	HK063610220	CONNECTOR		*		1
11	SL4040691SC	SCREW M4 L=6				2

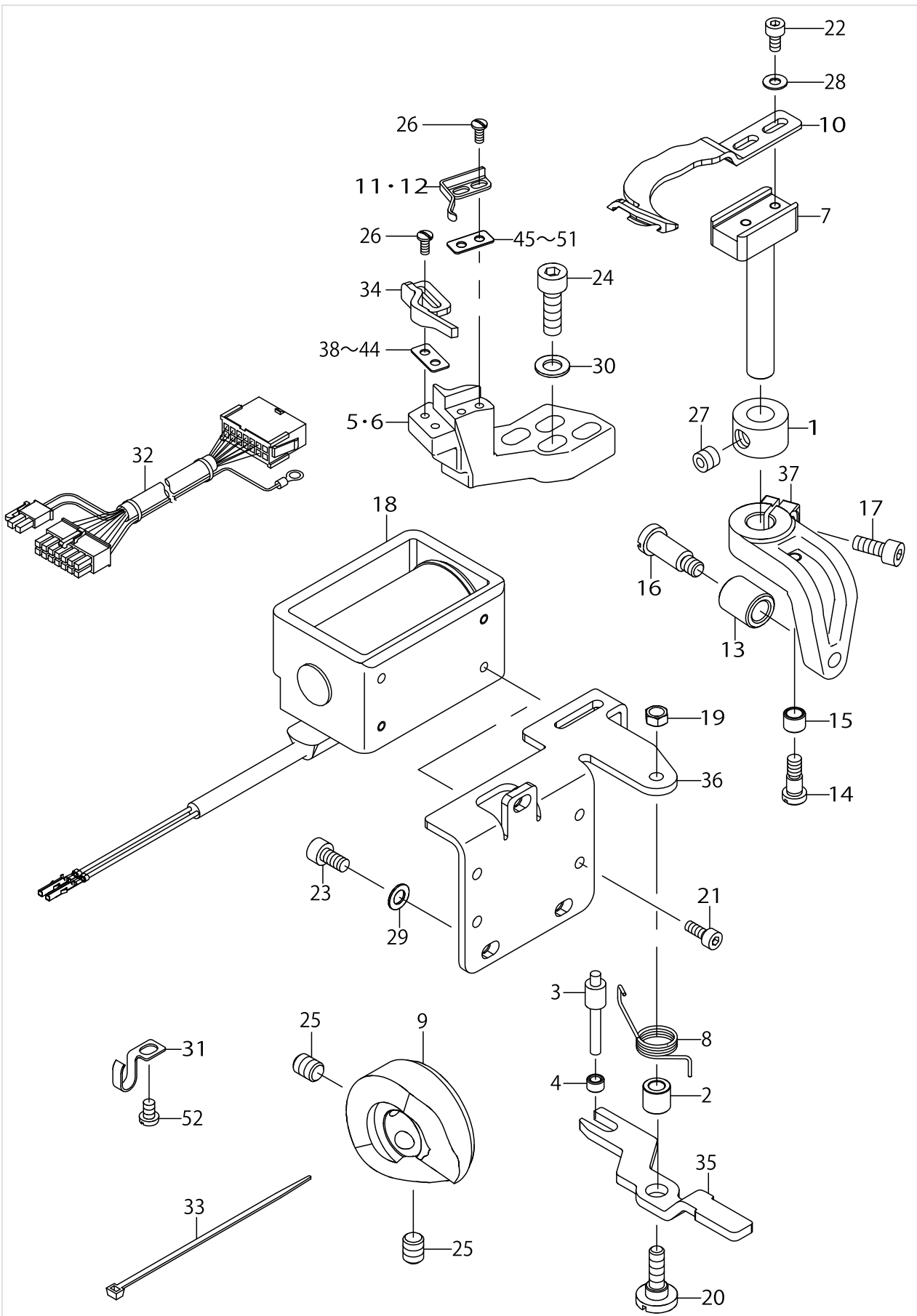
THREAD CUTTING COMPONENTS



THREAD CUTTING COMPONENTS

No.	Parts No.	Parts name	Remarks	Level	Cons	Qty
1	40154825	THRUST_COLLAR				1
2	22956205	WIPER HINGE SCREW COLLAR				1
3	22957104	WIPER SOLENOID SHAFT				1
4	22957203	WIPER LINK COLLAR				1
5	40125879	FIXED_KNIFE_BASE	FOR LU-2810ES-7			1
6	40147942	FIXED_KNIFE_BASE_XXL	FOR LU-2818ES-7			1
7	40169703	MOVING_KNIFE_SHAFT_ES				1
8	40112235	DRIVING_ARM_RETURN_SPRING				1
9	40112278	THREAD_TRIMMER_RIGHT				1
10	40169704	MOVING_KNIFE_ES			☆	1
11	21389408	CLAMP_SPRING_XXL	FOR LU-2810ES-7		☆	1
12	40147943	CLAMP_SPRING_XXL	FOR LU-2818ES-7		☆	1
13	40112232	THREAD_TRIMMER_CAM_ROLLER				1
14	SD0460576TP	SHOULDER SCREW D=4.6 H=5.7				1
15	B2508047000	BLOCK ROLLER				1
16	SD0651301TH	SHOULDER SCREW D=6.5 H=13				1
17	SM6041002TP	SCREW M4X0.7 L=10				1
18	40137921	THREAD_TRIMMER_SOLENOID				1
19	NS6110310SP	HEXAGONAL NUT 11/64-40				1
20	SD0650321TP	SHOULDER SCREW D=6.56 H=3.2				1
21	SM6030602TP	SCREW M3X0.5 L=6				4
22	SM6030602TP	SCREW M3X0.5 L=6				2
23	SM6040802TP	SCREW M4X0.7 L=8				3
24	SM6051602TP	SCREW M5X0.8 L=16				2
25	SM8060812TP	SCREW M6 L=8				2
26	SS7060610SP	SCREW 3/32-56 L=5.5			☆	4
27	SM8060552TP	SCREW M6 L=5				2
28	WP0320501SC	WASHER M3				2
29	WP0450000SD	WASHER 4.5X8X0.5				3
30	WP0550800SP	WASHER 5.5X10X0.8				2
31	26231902	OIL WICK PIPE STOPPER				1
32	40126130	SOLENOID RELAY CABLE ASM				1
33	EA9500B0100	CABLE BAND				3
34	40169705	FIXED KNIFE_ES			☆	1
35	40112234	KNIFE_DRIVING_ARM_LINK				1
36	40112233	THREAD_TRIMMER_SOL_BASE_PLATE				1
37	40123248	MOVING_KNIFE_DRIVING_ARM				1
38	40155295	F_KNIFE_SPACER_T=0.2	SELECTIVE PARTS (FOR LU-2818ES-7)			1
39	40155296	F_KNIFE_SPACER_T=0.4	SELECTIVE PARTS (FOR LU-2818ES-7)			1
40	40155297	F_KNIFE_SPACER_T=0.6	SELECTIVE PARTS (FOR LU-2818ES-7)			1
41	40155298	F_KNIFE_SPACER_T=0.8	SELECTIVE PARTS (FOR LU-2818ES-7)			1
42	40155299	F_KNIFE_SPACER_T=1.0	SELECTIVE PARTS (FOR LU-2818ES-7)			1
43	40157628	F_KNIFE_SPACER_T=1.2	SELECTIVE PARTS (FOR LU-2818ES-7)			1
44	40157629	F_KNIFE_SPACER_T=1.4	SELECTIVE PARTS (FOR LU-2818ES-7)			1
45	40155301	CLAMP_SPRING_SPACER_T=0.2	SELECTIVE PARTS (FOR LU-2818ES-7)			1
46	40155302	CLAMP_SPRING_SPACER_T=0.4	SELECTIVE PARTS (FOR LU-2818ES-7)			1
47	40155303	CLAMP_SPRING_SPACER_T=0.6	SELECTIVE PARTS (FOR LU-2818ES-7)			1

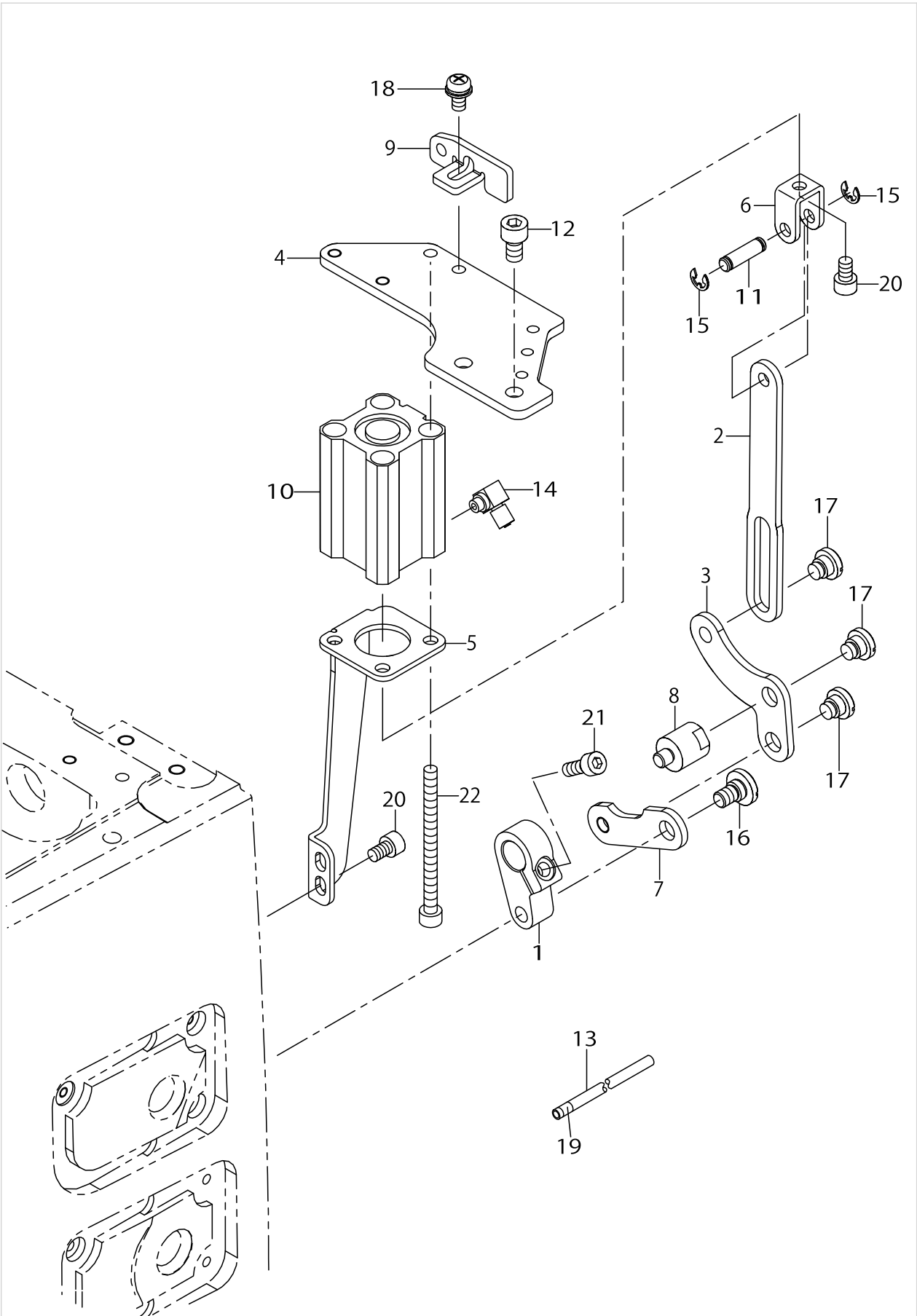
THREAD CUTTING COMPONENTS



THREAD CUTTING COMPONENTS

No.	Parts No.	Parts name	Remarks	Level	Cons	Qty
48	40155304	CLAMP_SPRING_SPACER_T=0.8	SELECTIVE PARTS (FOR LU-2818ES-7)			1
49	40155305	CLAMP_SPRING_SPACER_T=1.0	SELECTIVE PARTS (FOR LU-2818ES-7)			1
50	40157625	CLAMP_SPRING_SPACER_T=1.2	SELECTIVE PARTS (FOR LU-2818ES-7)			1
51	40157626	CLAMP_SPRING_SPACER_T=1.4	SELECTIVE PARTS (FOR LU-2818ES-7)			1
52	SM4040855SP	SCREW				1

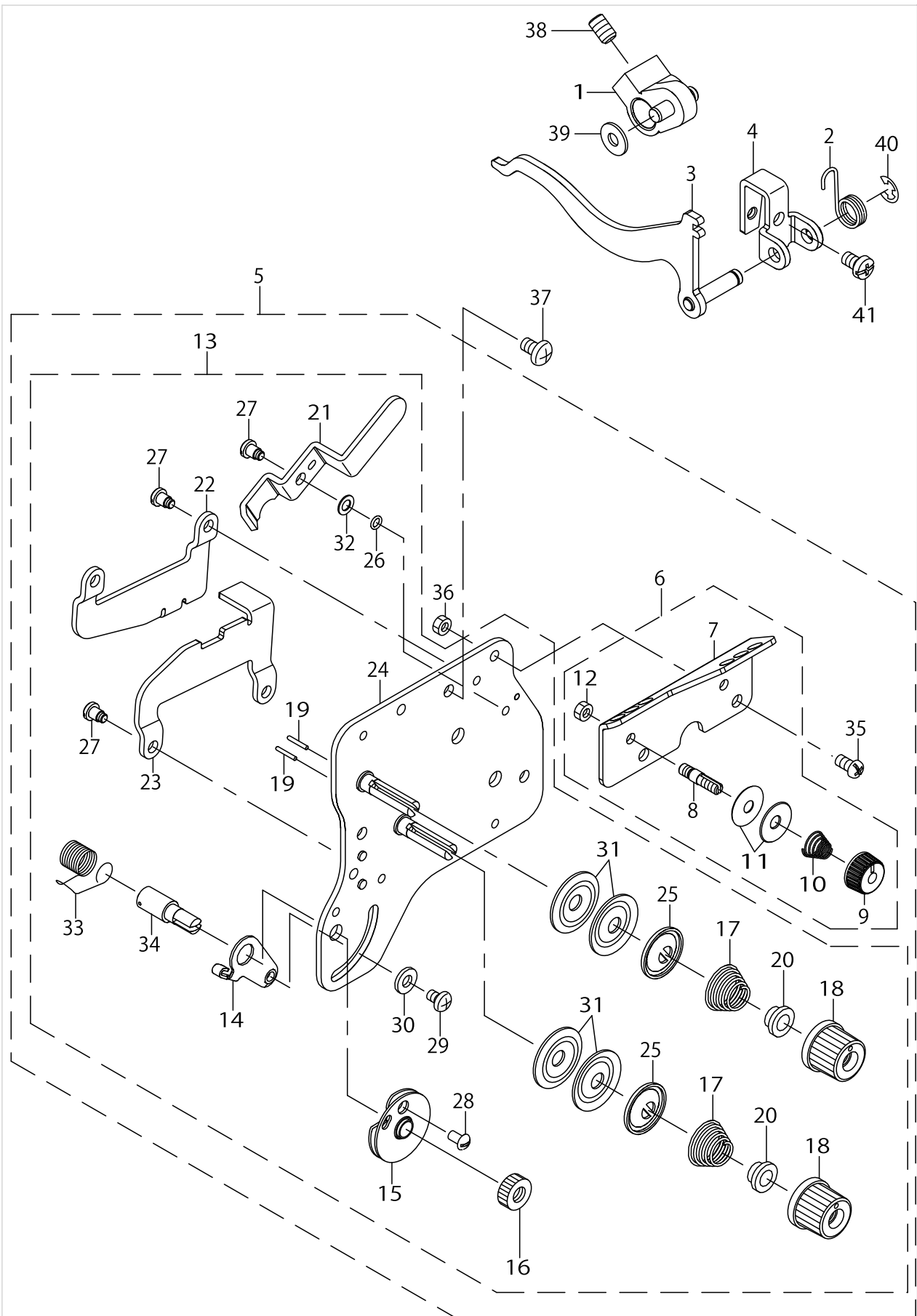
CONDENSE COMPONENTS



CONDENSE COMPONENTS

No.	Parts No.	Parts name	Remarks	Level	Cons	Qty
1	40133612	CONDENSE ARM				1
2	40112137	LINK_A				1
3	40112138	LINK_B				1
4	40125872	CYLINDER_BRACKET				1
5	40112140	CYLINDER_STAY				1
6	40112149	CYLINDER_KNUCKLE				1
7	40133655	LINK D				1
8	40112151	BT_LINK_STUD				1
9	40112228	MOTOR_COVER_FITTING_PLATE				1
10	40142208	AIR CYLINDER				1
11	D2464555B00	LINK DRIVING MAGNET PIN				1
12	SM6061002TP	SCREW M6 L=10				2
13	BT0400251EB	URETHANE TUBE BLACK 4X2.5				0.27
14	PJ046052503	HOSE ELBOW				1
15	RE0400000K0	E-RING 4				2
16	SD0800321TH	SHOULDER SCREW D=8 H=3.2				1
17	SD0800341SP	SHOULDER SCREW D=8 H=3.4				3
18	SL4051091SC	SCREW M5X0.8 L=10				1
19	18035709	WIRE MARK (8)				1
20	SM6050802TP	SCREW M5X0.8 L=8				3
21	SM6051402TP	SCREW M5X0.8 L=14				1
22	SM6056552TP	SCREW				3

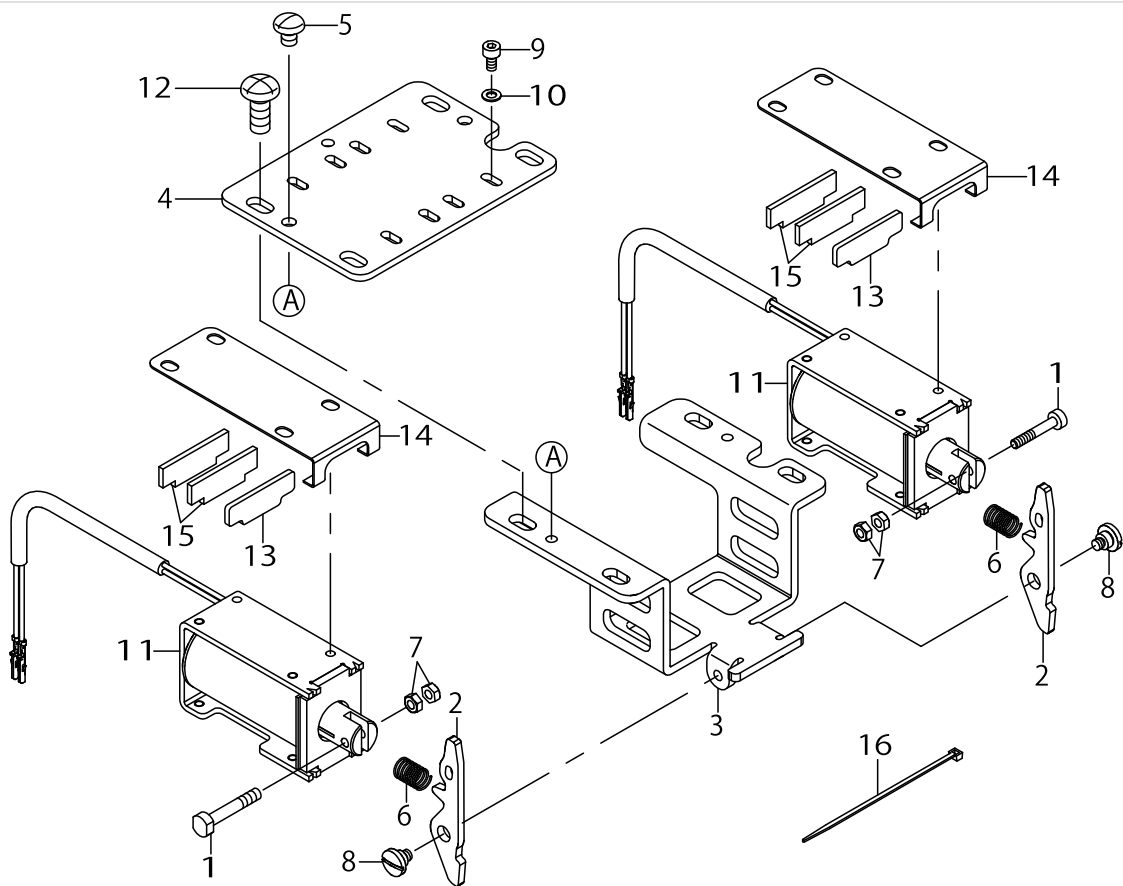
THREAD TENSION COMPONENTS



THREAD TENSION COMPONENTS

No.	Parts No.	Parts name	Remarks	Level	Cons	Qty
1	22912257	FEED REVERSE ARM ASM.				1
2	22954309	REVERSE FEED SWITCH SPRING				1
3	40126265	DISK_RELEASE_LINK_ASM				1
4	40125873	DISK_RELEASE_LINK_BASE				1
5	40155956	THREAD_TENSION_ASSY_2810				1
6	40155958	THREAD_GUIDE_PLATE_ASM_2810		*		1
7	40155960	THREAD_GUIDE_PLATE		*		1
8	40155994	TEREAD_TENSION_POST_A		*		1
9	22945703	THREAD TENSION NUT		*		1
10	22963409	THREAD TENSION SPRING		*	☆	1
11	22945802	THREAD TENSION DISK		*		2
12	NS6110310SP	NUT 11/64-40		*		1
13	40161459	THREAD_TENSION_PLATE_ASM_2810		*		1
14	10697506	THREAD TENSION BRACKET A		*		1
15	B31375270A0	TAKE-UP SPRING GUIDE ASM.		*		1
16	22617807	NUT		*		1
17	12938304	TENSION SPRING		*	☆	2
18	13817408	THREAD TENSION NUT		*	☆	2
19	22618201	TENSION RELEASE PIN A		*		2
20	B3112704000	TENSION SPRING BUSHING		*		2
21	40112204	TENSION_RELEASE_LEVER		*		1
22	40112218	DISK_RELEASE_PLATE_A		*		1
23	40112219	DISK_RELEASE_PLATE_B		*		1
24	40126404	ASSY_TENSION_BASE_PLATE_2810		*		1
25	40126724	TENSION_DISC HOLDER		*		2
26	RO037180100	RUBBER RING		*		1
27	SD0450401SP	SHOULDER SCREW D=4.5 H=4		*		5
28	SS3090710TP	SCREW 9/64-40 L=7		*		1
29	SS4110615SP	SCREW 11/64-40 L=6		*		1
30	WP0501016SD	WASHER 5X10.5X1		*		1
31	22921506	THREAD TENSION DISK		*		4
32	WP0460556SD	WASHER 4.6X7.5X0.5		*		1
33	22618706	THREAD TAKE-UP SPRING A		*	☆	1
34	10320109	SCREW STUD		*		1
35	SS4110815SP	SCREW 11/64-40 L=8		*		2
36	NS6110310SP	HEXAGONAL NUT 11/64-40		*		2
37	SM4051001SN	SCREW M5				3
38	SS8661012TP	SCREW				1
39	22528509	FELT				1
40	RE0500000K0	E-RING				1
41	SM4050855SP	SCREW				1

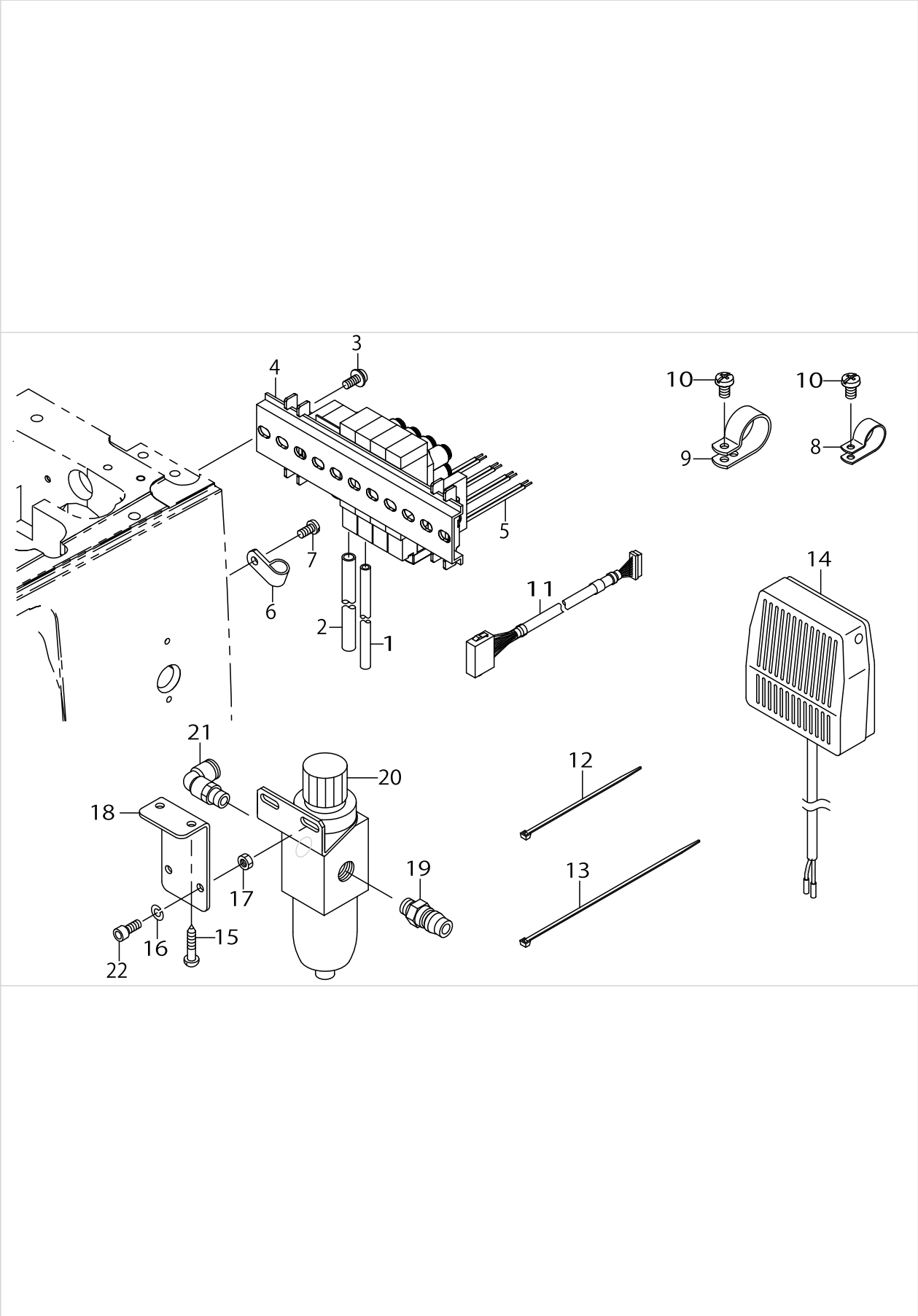
TENSION RELEASE COMPONENTS



TENSION RELEASE COMPONENTS

No.	Parts No.	Parts name	Remarks	Level	Cons	Qty
1	40139345	PLUNGER_LINK_PIN				2
2	40125948	RELEASE_SOLENOID_LINK				2
3	40126263	SOLENOID_LINK_MOUNTING_PLATE				1
4	40125949	RELEASE_SOLENOID_BASE				1
5	SS4090515SP	SCREW 9/64-40 L=5				2
6	32055501	AT (UPPER) SPRING				2
7	NM6030001SC	NUT M3X0.5 TYPE1				4
8	SD0550271TP	SHOULDER SCREW D=5.50 H=2.7				2
9	SM6030602TP	SCREW M3X0.5 L=6				8
10	WP0320501SE	WASHER 3				8
11	40112285	TENSION_RELEASE_SOLENOID				2
12	SM4051255SP	SCREW M5 L=12				4
13	40126563	STOPPER_PLATE				2
14	40126562	RUBBER HOLDER				2
15	40086679	WIPER_STOPPER_RUBBER				4
16	EA9500B0100	CABLE BAND				4

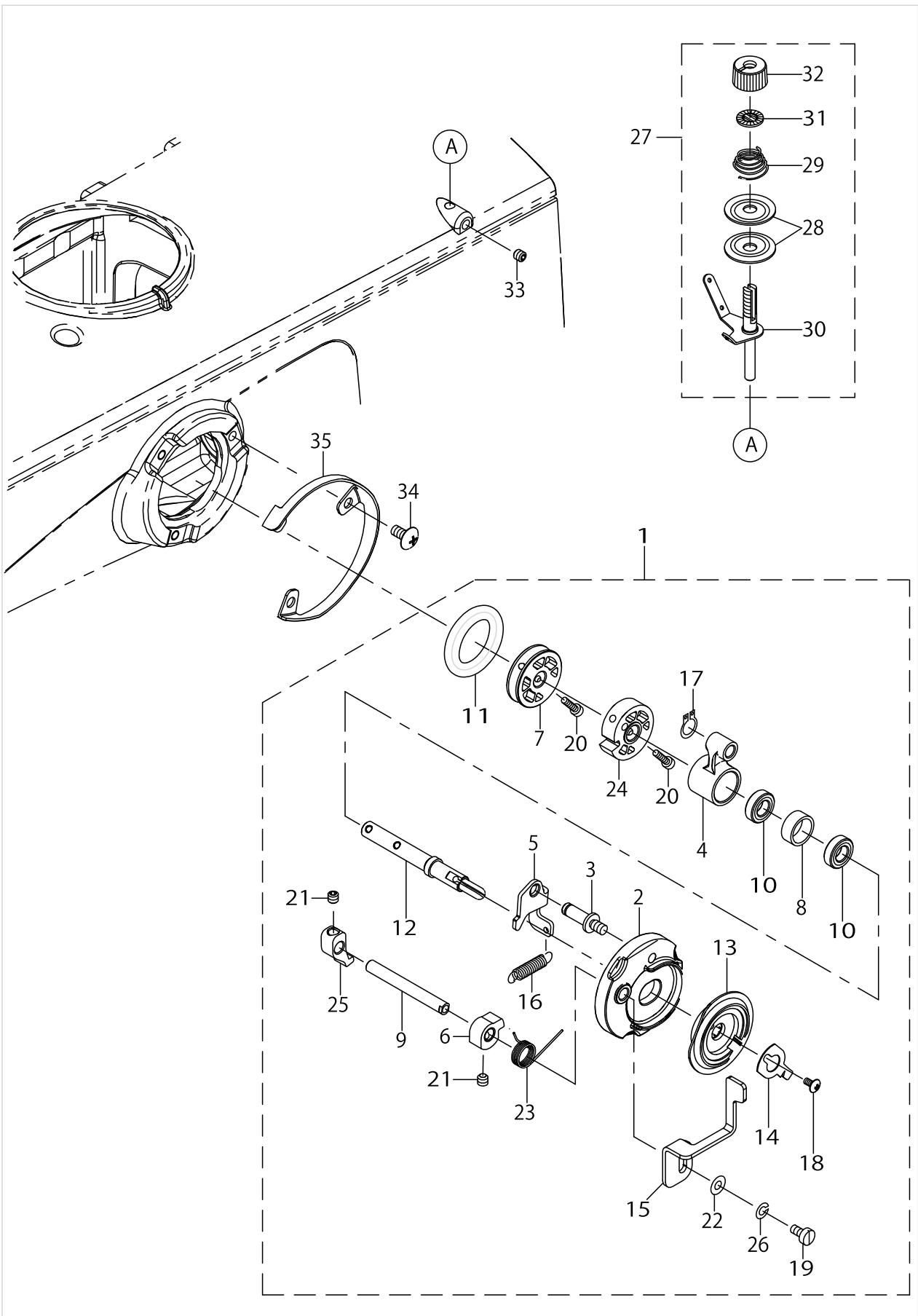
PNEUMATIC COMPONENTS



PNEUMATIC COMPONENTS

No.	Parts No.	Parts name	Remarks	Level	Cons	Qty
1	BT0600401EB	URETHANE TUBE BLACK 6X4				1.1
2	BT0800501EB	URETHANE TUBE BLACK 8X5				1.1
3	SL4041091SC	SCREW M4 L=10				2
4	40130283	SOLENOID_VALVE_ASM				1
5	40130284	SOLENOID VALVE CABLE ASM				1
6	HX00150000C	CABLE CLAMP				1
7	SM4040855SP	SCREW				1
8	HX00150000H	CABLE CLAMP				1
9	HX00150000M	CABLE CLAMP				1
10	SM4040855SP	SCREW				2
11	40126127	AIR VALVE RELAY CABLE ASM				1
12	EA9500B0100	CABLE BAND				1
13	EA9500B0200	CABLE BAND 150				4
14	40143553	KNEE_SWITCH_ASM				1
15	SK3482001SE	WOOD SCREW D=4.8 L=20				2
16	WS0510002KN	SPRING WASHER M5				2
17	NM6050001SP	NUT M5X0.8 TYPE1				2
18	13860408	REGULATOR BRACKET				1
19	PJ025100003	PLUG				1
20	PF055107000	FILTER REGULATOR				1
21	PJ304065101	ELBOW UNION 6XPT1/8				1
22	SM6051202TP	SCREW M5X0.8 L=12				2

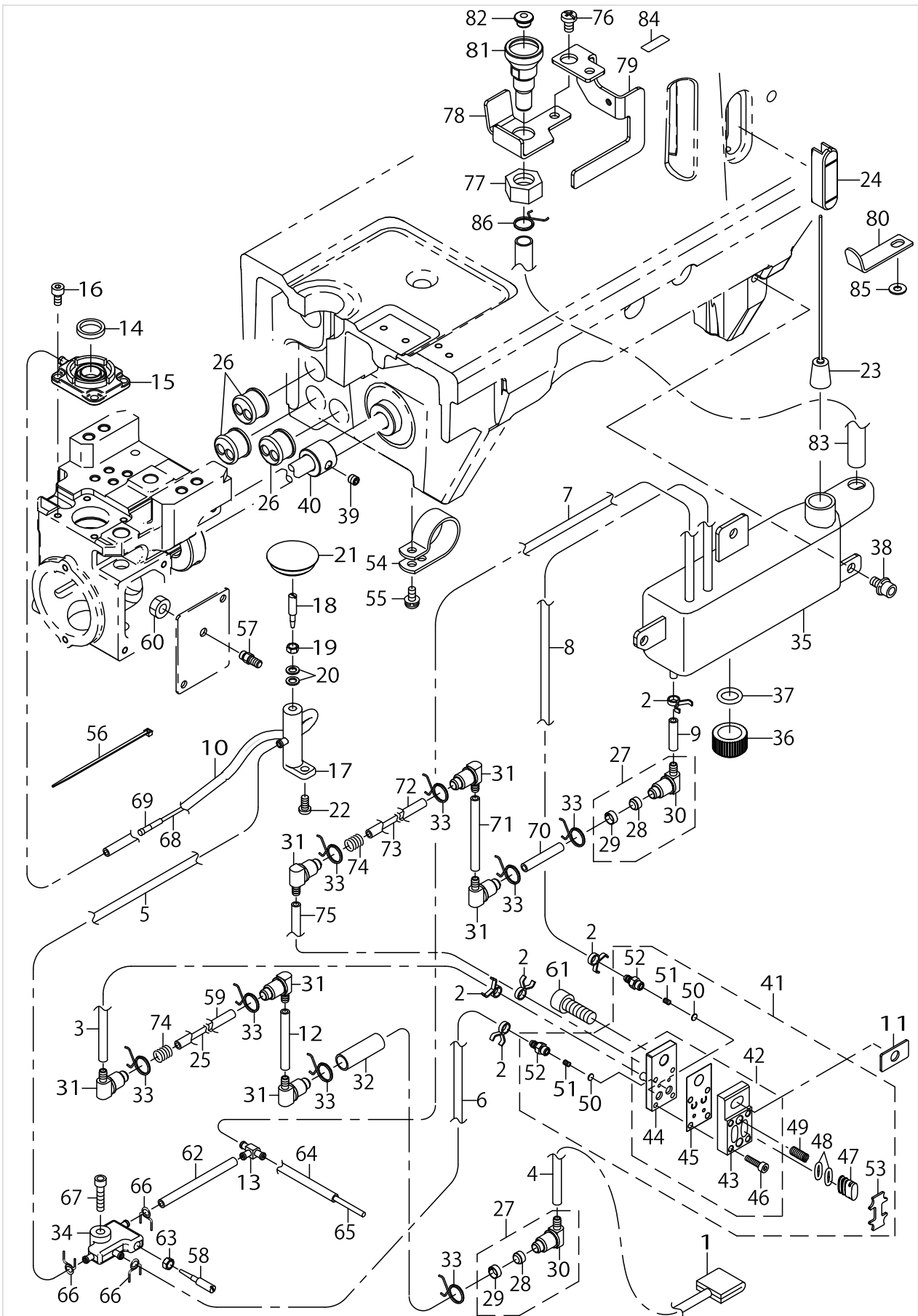
BOBBIN WINDER COMPONENTS



BOBBIN WINDER COMPONENTS

No.	Parts No.	Parts name	Remarks	Level	Cons	Qty
1	40126355	BOBBIN_WINDER_UNIT				1
2	26260109	BTW_BASE		*		1
3	26260307	BTW_BASE_SHAFT		*		1
4	26260406	BTW_SHAFT_BASE		*		1
5	40126594	WINDER_CAM_PLATE		*		1
6	26260505	BTW_CAM_LEVER		*		1
7	40125851	WINDER_WHEEL		*		1
8	26260802	BTW_BEARING_SPACER		*		1
9	26261008	BTW_LEVER_SHAFT		*		1
10	40126354	WINDER_BEARING		*		1
11	26261503	BTW_WHEEL_RUBBER		*	☆	1
12	40126550	BOBBIN_SHAFT		*		1
13	40125927	BOBBIN_BASE		*		1
14	40126311	WINDER_CUTTER		*		1
15	40151791	BOBBIN_LEVER		*		1
16	13718507	SPRING		*		1
17	RC0560711KP	C-RING 6(5.6)		*		1
18	SM0030601SC	SCREW M3X6		*		1
19	SM6040860TP	SCREW M4 L=8		*		1
20	SM6031202TP	SCREW M3X0.5 L=12		*		1
21	SM8050502TP	SCREW M5 L=5		*		2
22	WP0450801SP	WASHER		*		1
23	40126549	HELICAL_TORSION_COIL_SPRING		*		1
24	40125928	WINDER_LATCH_CAM		*		1
25	40125844	WINDER_LATCH_B		*		1
26	WS0451040KP	SPRING WASHER 4.5X8.5X1		*		1
27	40088958	BOBBIN_THREAD_TENSION_ASM.				1
28	22921506	THREAD_TENSION_DISK		*		2
29	22921704	THREAD_TENSION_SPRING		*	☆	1
30	40088959	BOBBIN_THREAD_TENSION_ROD_ASM.		*		1
31	22921407	ROTATION_STOPPER		*		1
32	22921308	THREAD_TENSION_NUT		*		1
33	SM8051002TP	SCREW M5 L=10				1
34	SM0051001SC	SCREW				3
35	40152022	BTW_GUARD				1

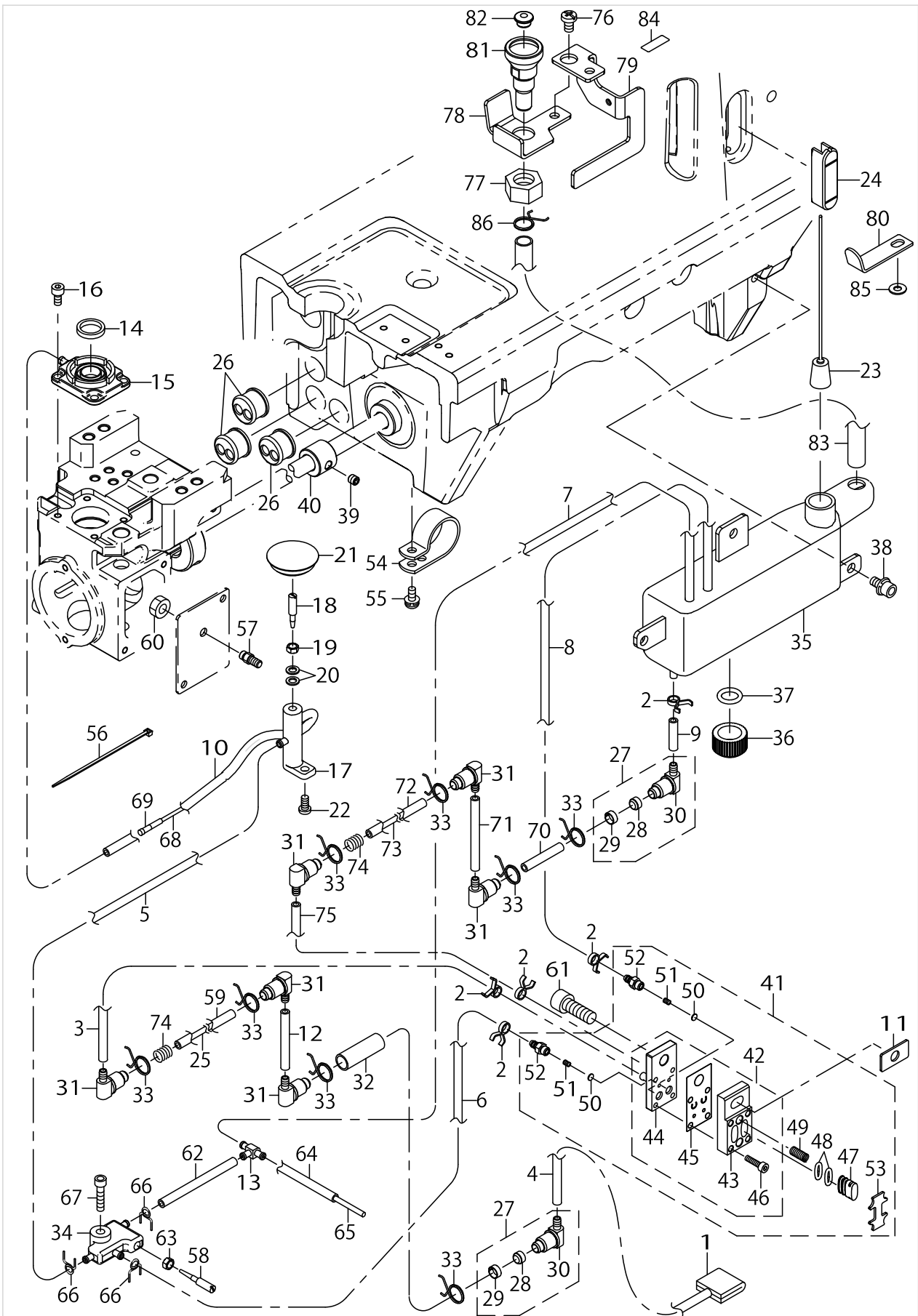
LUBRICATION COMPONENTS



LUBRICATION COMPONENTS

No.	Parts No.	Parts name	Remarks	Level	Cons	Qty
1	40112320	FELT				1
2	13142609	OIL TUBE HOLDER				5
3	23630007	TUBE				0.1
4	23630007	TUBE				0.4
5	23630007	TUBE				0.12
6	23630007	TUBE				0.08
7	23630007	TUBE				0.31
8	23630007	TUBE				0.4
9	23630007	TUBE				0.02
10	23630007	TUBE				0.22
11	40169707	PUMP_SPACER				1
12	23630007	TUBE				0.04
13	13765607	OIL_CONNEC_ARM				1
14	40112318	OIL_SUPPLY_FELT				1
15	40112246	OIL_SUPPLY				1
16	SM6040802TP	SCREW_M4X0.7_L=8				4
17	40069741	OIL_REGULATING_VALVE				1
18	B1843563000	OIL_ADJUSTING_SCREW				1
19	NS6110310SP	HEXAGONAL NUT 11/64-40				1
20	WP0450846SP	WASHER				2
21	40028294	FEED_ADJUSTING_CAP				1
22	SM4040855SP	SCREW				1
23	23628357	FLOATERASM.				1
24	40036167	OIL_GAGE				1
25	CQ303000000	COTTON OIL WICK D=3				0.26
26	22935308	MAGNETCORDRUBBER				3
27	23630650	OIL_FILTER_JOINT_ASM.				2
28	23630403	OIL_FILTER_STOPPER		*	☆	1
29	23630502	OIL_FILTER		*		1
30	23630601	OIL_FILTER_JOINT		*		1
31	23630601	OIL_FILTER_JOINT				6
32	23630106	TUBE_B				0.03
33	23629405	PIPE STOPPER B				8
34	40032804	BASE				1
35	40125929	OIL_TANK				1
36	40013595	OIL_EXIT_CAP				1
37	RO098240100	O-RING				1
38	SL6051092TN	SCREW M5 L=10				3
39	SM8050512TP	SCREW				1
40	40169706	ECCENTRIC_CAM				1
41	40101719	PUMP_BASE_ASSY				1
42	40102249	PUMP_BASE_ASM		*		1
43	40101715	PUMP_BASE_TOP		*		1
44	40101716	PUMP_BASE_BOTTOM		*		1
45	40101717	VALVE_SHEET		*		1
46	SM6031202TP	SCREW_M3X0.5_L=12		*		4
47	40101713	OVAL_PLUNGER		*		2

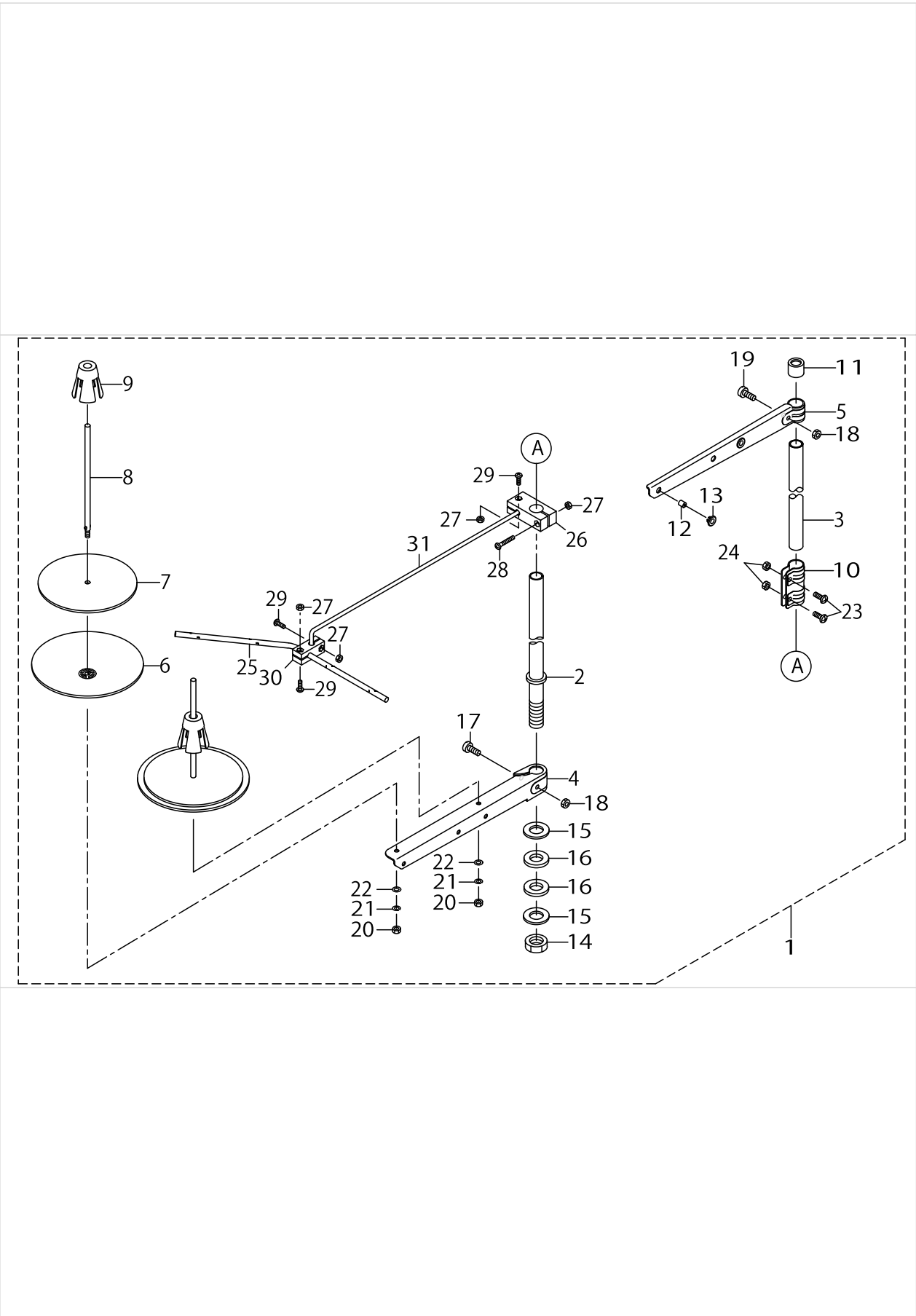
LUBRICATION COMPONENTS



LUBRICATION COMPONENTS

No.	Parts No.	Parts name	Remarks	Level	Cons	Qty
48	40116455	OVAL_O_RING		*		4
49	40127446	SPRING		*		2
50	40116457	FREE_VALVE		*		2
51	40116458	SPRING		*		2
52	40116459	CONNECTING_SCREW		*		2
53	40101714	PLUNGER_HOLD_PLATE		*		1
54	HX00150000M	CABLE_CLAMP				1
55	SL4041091SC	SCREW M4 L=10				1
56	EA9500B0100	CABLE_BAND				4
57	SQ2050452MZ	CONNECTING_SCREW				1
58	B1843563000	OIL_ADJUSTING_SCREW				1
59	23630106	TUBE B				0.09
60	NM6050003SC	NUT M5X0.8 TYPE3				1
61	SM6061802TP	SCREW_M6_L=18				1
62	23630007	TUBE				0.06
63	NS6110310SP	HEXAGONAL NUT 11/64-40				1
64	23630007	TUBE				0.28
65	CQ202000000	COTTON OIL WICK D=2				0.05
66	13142609	OIL TUBE HOLDER				3
67	SM6041802TP	SCREW M4 L=18				1
68	CQ202000000	COTTON OIL WICK D=2				0.18
69	11015906	OIL WICK				2
70	23630106	TUBE B				0.03
71	23630007	TUBE				0.05
72	23630106	TUBE B				0.09
73	CQ303000000	COTTON OIL WICK D=3				0.26
74	12210803	SPRING				2
75	23630007	TUBE				0.1
76	SM4050855SP	SCREW				1
77	NM6120001CP	NUT M12X1.75 TYPE1				1
78	40147956	INLET_PLATE				1
79	40171133	TUBE HOLDER A				1
80	40155371	TUBE HOLDER B				1
81	40155440	LUBRICATING INLET				1
82	40126582	RUBBER_PLUG				1
83	23630106	TUBE B				0.35
84	B1140761000	OILING LABEL				1
85	WP0450801SP	WASHER				1
86	23629405	PIPE STOPPER B				1

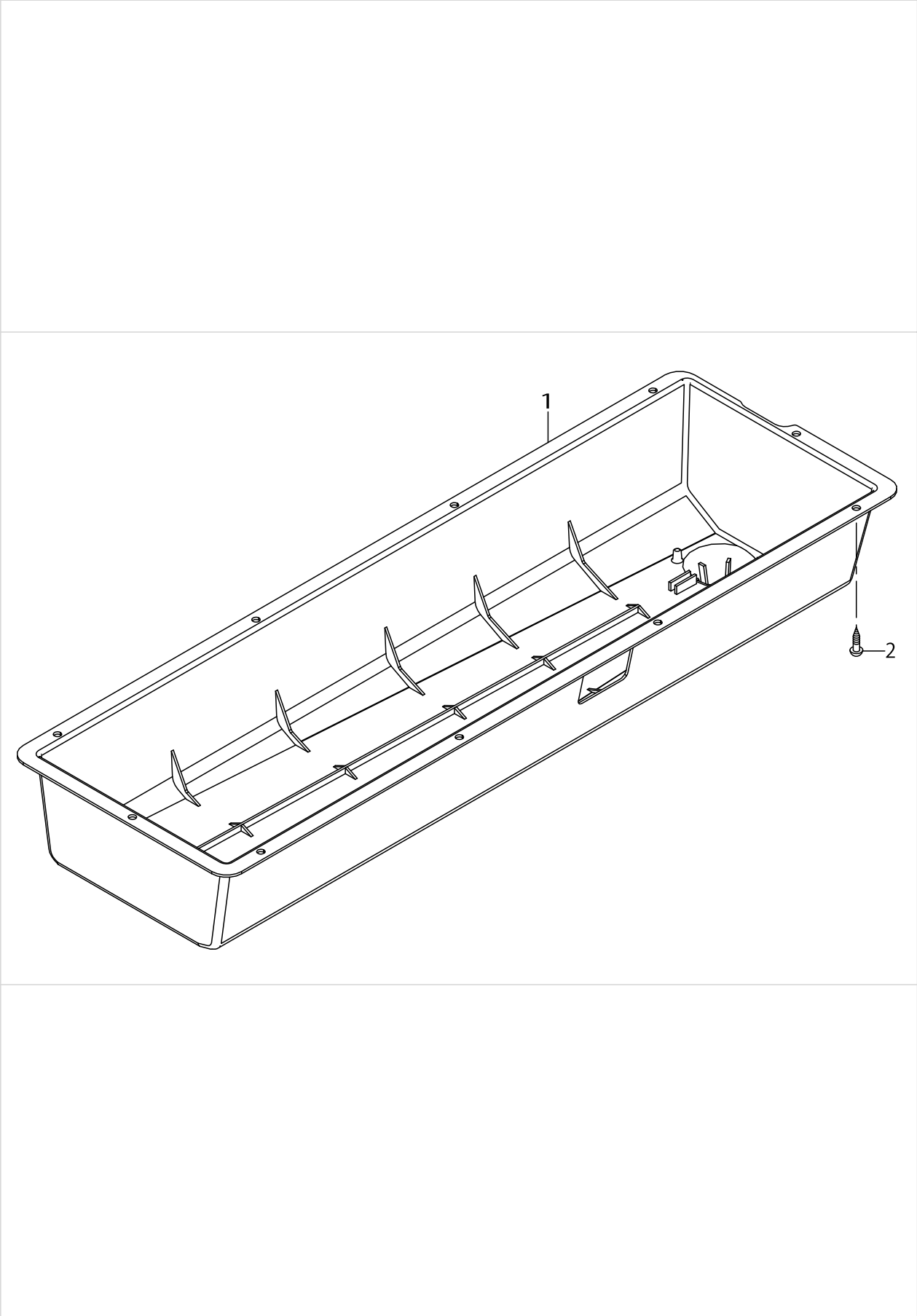
THREAD STAND COMPONENTS



THREAD STAND COMPONENTS

No.	Parts No.	Parts name	Remarks	Level	Cons	Qty
1	40142213	THREAD_STAND_PACKING				1
2	40085784	SPOOL_REST_ROD_LOWER		*		1
3	40085785	SPOOL_REST_ROD_UPPER		*		1
4	40085786	SPOOL_REST_ARM_LOWER		*		1
5	40085787	SPOOL_REST_ARM_UPPER		*		1
6	40085788	SPOOL_REST		*		2
7	40085789	SPOOL_REST_CUSHION		*		2
8	40085790	SPOOL_PIN		*		2
9	40085791	SPOOL_RETAINER		*		2
10	40085792	SPOOL_REST_ROD_JOINT		*		1
11	40085793	SPOOL_REST_ROD_RUBBER_CAP		*		1
12	40085794	THREAD_GUIDE		*		2
13	40085795	THREAD_GUIDE_BUSHING		*		2
14	40096325	SPOOL_REST_ROD_NUT		*		1
15	WP1612616SE	WASHER_16X30X2.6		*		2
16	40085796	SPOOL_REST_ROD_RUBBER_CUSHION		*		2
17	40096326	SPOOL_REST_ARM_LOWER_SCREW		*		1
18	NM6050001SE	NUT M5X0.8 TYPE1		*		2
19	40096327	SPOOL_REST_ARM_UPPER_SCREW		*		1
20	NM6050001SE	NUT M5X0.8 TYPE1		*		2
21	WS0510002KN	SPRING_WASHER_M5		*		2
22	WP0531001SC	WASHER_M5		*		2
23	SM4051405SE	SCREW_M5_L=14		*		2
24	NM6050001SE	NUT M5X0.8 TYPE1		*		2
25	40106582	THREAD_GUIDE_4		*		1
26	40106579	THREAD_GUIDE_ARM_BASE		*		1
27	NM6040002SC	NUT_M4X0.7 TYPE2		*		4
28	SM4042501SC	SCREW_M4X0.7_L=25		*		1
29	SM4041201SC	SCREW_M4X0.7_L=12		*		3
30	40106580	THREAD_GUIDE_UNDER_BASE		*		1
31	40106576	THREAD_GUIDE_ARM		*		1

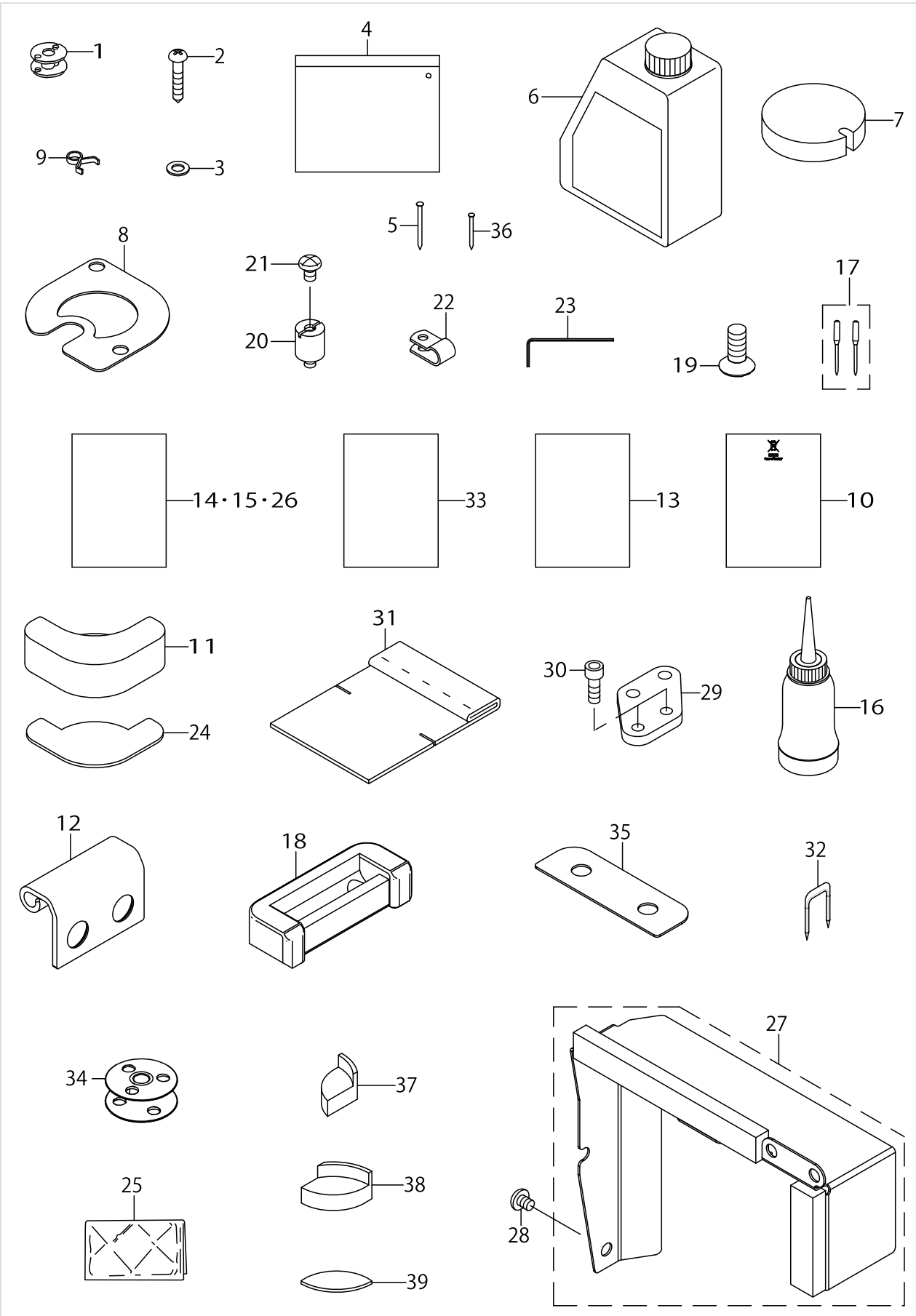
BOTTOM COVER COMPONENTS



BOTTOM COVER COMPONENTS

No.	Parts No.	Parts name	Remarks	Level	Cons	Qty
1	40126155	OIL_PAN				1
2	SK3482001SE	WOOD SCREW D=4.8 L=20				10

ACCESSORIES PARTS COMPONENTS



ACCESSORIES PARTS COMPONENTS

No.	Parts No.	Parts name	Remarks	Level	Cons	Qty
1	21334800	ALUMINUM BOBBIN WITH KNURL	FOR LU-2810ES-7		☆	1
2	SK3452501SE	WOOD SCREW D=4.5 L=25				4
3	WP0550800SP	WASHER 5.5X10X0.8				4
4	21413158	ACCESSORY BAG ASM.				1
5	10539906	SET NAIL				6
6	40102087	JUKI_CORPORATION_GENUINE_OIL_7				1
7	40126405	OIL_FILTER				1
8	40126267	FELT HOLDER				1
9	23629306	PIPE STOPPER A				2
10	CM600100201	WEEE INFORMATION SHEET	FOR JE			1
11	40151800	CUSHION_RUBBER				2
12	40125869	HINGE				2
13	40142430	DECLARATION OF INCORPORATION (LU2800)	FOR JE			1
14	40169632	INSTRUCTION_MANUAL_CHINESE	FOR CHINA			1
15	40169631	INSTRUCTION_MANUAL_4K	EXCEPT CHINA			1
16	B91210120A0	OILER ASM.				1
17	M13517B1602	NEEDLE 135X17 #160-2			☆	1
18	40164521	HINGE RUBBER				2
19	B1516210D00	SCREW				4
20	40126222	CP_SPACER				2
21	SM4050855SP	SCREW				2
22	HX00150000B	CABLE CLAMP				2
23	40079298	WRENCH				1
24	10740900	RUBBER				8
25	40048536	HEAD_COVER				1
26	40169633	INSTRUCTION_MANUAL_9K	FOR JE			1
27	40131916	OIL_SHIELD_PLATE_ASSY				1
28	SM4050655SP	SCREW M5 L=6				4
29	40112214	EDGE_GUIDE_FITTING_PLATE				1
30	SM6051402TP	SCREW M5X0.8 L=14				2
31	40133730	OIL FILTER				1
32	MAO11532000	CORD STAPLE				3
33	40169630	PARTS_LIST				1
34	40147913	BOBBIN	FOR LU-2818ES-7		☆	1
35	40163914	HINGE SPACER				2
36	22926208	NAIL				2
37	40151803	RUBBER_CUSHION_LEFT				1
38	40151804	RUBBER_CUSHION_RIGHT				1
39	40151805	RUBBER_CUSHION_SHEET				4

TABLE OF EXCHANGING GAUGE PARTS



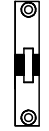

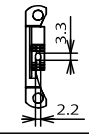
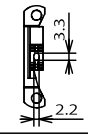
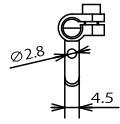
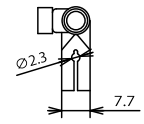
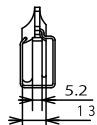
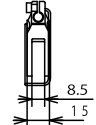
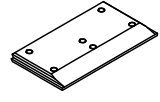
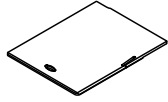
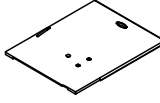
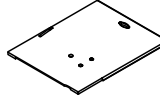
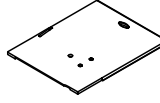
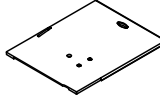
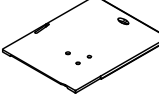
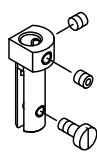
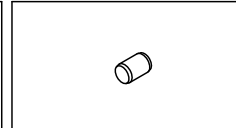
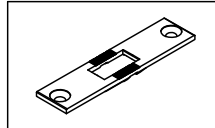
Item 品名	Standard gauge 標準ゲージ				Europe gauge ヨーロッパゲージ					
Throat plate 針板										
	No.	1	No.	2	No.	3	No.	4		
	Part No.	401-12212	Part No.	401-26349	Part No.	401-12211	Part No.	401-26350		
Feed dog 送り歯										
	No.	5			No.	6				
	Part No.	401-33270			Part No.	401-33272				
Working foot asm. 送り足組										
	No.	7			No.	8				
	Part No.	401-43061			Part No.	107-11653				
Presser foot asm. 押え足組										
	No.	9			No.	10				
	Part No.	213-50152			Part No.	107-12552				
Slide plate (front) 正面滑り板										
	No.	-			No.	11				
	Part No.	-			Part No.	401-47918				
Slide plate (left) 滑り板左										
	No.	12								
	Part No.	401-12224								
Slide plate (right) 滑り板右										
	No.	13	No.	14	No.	13	No.	14	No.	15
	Part No.	401-42215	Part No.	401-12225	Part No.	401-42215	Part No.	401-12225	Part No.	401-47944
Presser bar s 押え棒 S			No.	Part No.						
			16	401-25877						
			17	SM-8040412-TP						
			18	SS-6090910-TP						

TABLE OF EXCHANGING GAUGE PARTS

No.	Parts No.	Parts name	Remarks	Level	Cons	Qty
1	40112212	THROAT_PLATE_2810_S				1
2	40126349	THROAT_PLATE_2810				1
3	40112211	THROAT_PLATE_2810_E				1
4	40126350	THROAT_PLATE_2810				1
5	40133270	FEED_DOG_S(2.2X3.3)				1
6	40133272	FEED_DOS_E(2.2X3.3)				1
7	40143061	WALKING_FOOT_ASM				1
8	10711653	FEED FOOT ASM.				1
9	21350152	PRESSER FOOT ASM.				1
10	10712552	PRESSER FOOT ASM.				1
11	40147918	SLIDE_PLATE_FRONT				1
12	40112224	SLIDE_PLATE_2810L				1
13	40142215	SLIDE_PLATE_2810R_N				1
14	40112225	SLIDE_PLATE_2810R				1
15	40147944	SLIDE_PLATE_2810R				1
16	40125877	PRESSURE_BAR_S_B				1
17	SM8040412TP	SET SCREW M4 L=4				1
18	SS6090910TP	SCREW 9/64-40 L=9				1

TABLE OF EXCHANGING GAUGE PARTS SET

• LU-2818A-7



12MM to 9MM EXCHANGE GAGE SET 12mm→9mm交換ゲージセット			THROAT PLATE 針板		STOPPER PIN 送りダイヤルストッパーピン	
No.	Part No.	Name	No.	Part No.	No.	Part No.
1	401-56013	P=9交換系切り付き	2	401-26350	3	PH-0400062-C0

A 12mm to 9mm exchange gauge set becomes the composition of the [9mm throat plate] + [sending dial stopper pin].

12mm→9mm交換ゲージセットは[9mm針板]+[送りダイヤルストッパーピン]の構成になります。

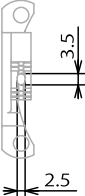
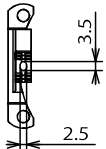
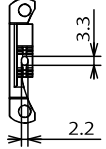
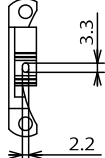
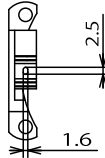
A slide plate is not contained in the contents of composition of a gauge set.

ゲージセットの構成内容に滑り板は含まれません

TABLE OF EXCHANGING GAUGE PARTS SET

No.	Parts No.	Parts name	Remarks	Level	Cons	Qty
1	40156013	EXCHANGE_GAUGE_SET_1N(P=9_TC)				1
2	40126350	THROAT_PLATE_2810				1
3	PH0400062C0	PIN				1

TABLE OF OPTIONAL GAUGE PARTS (1)

Item 品名	LU-2810S,S-7	LU-2810A,A-7	LU-2818A-7								
Feed dog 送り歯											
		<table border="1"> <tr> <th>No.</th> <th>Part No.</th> </tr> <tr> <td>2</td> <td>401-33273</td> </tr> </table>	No.	Part No.	2	401-33273	<table border="1"> <tr> <th>No.</th> <th>Part No.</th> </tr> <tr> <td>3</td> <td>401-33272</td> </tr> </table>	No.	Part No.	3	401-33272
		No.	Part No.								
		2	401-33273								
		No.	Part No.								
3	401-33272										
	Without groove. 溝なし										
<table border="1"> <tr> <th>No.</th> <th>Part No.</th> </tr> <tr> <td>4</td> <td>107-17205</td> </tr> </table>	No.	Part No.	4	107-17205							
No.	Part No.										
4	107-17205										
	For fine yarn 細糸用										
<table border="1"> <tr> <th>No.</th> <th>Part No.</th> </tr> <tr> <td>1</td> <td>401-33271</td> </tr> </table>	No.	Part No.	1	401-33271	<table border="1"> <tr> <th>No.</th> <th>Part No.</th> </tr> <tr> <td>5</td> <td>107-17304</td> </tr> </table>	No.	Part No.	5	107-17304		
No.	Part No.										
1	401-33271										
No.	Part No.										
5	107-17304										

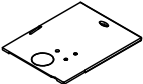
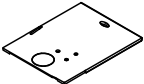


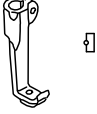
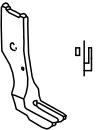

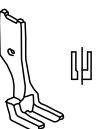
Item 品名	LU-2810S,S-7	LU-2810A,A-7	LU-2818A-7								
Slide plate (With a window) 滑り板 (窓付)											
<table border="1"> <tr> <th>No.</th> <th>Part No.</th> </tr> <tr> <td>6</td> <td>401-33312</td> </tr> </table>	No.	Part No.	6	401-33312	<table border="1"> <tr> <th>No.</th> <th>Part No.</th> </tr> <tr> <td>7</td> <td>401-55087</td> </tr> </table>	No.	Part No.	7	401-55087		
No.	Part No.										
6	401-33312										
No.	Part No.										
7	401-55087										

TABLE OF OPTIONAL GAUGE PARTS (1)

No.	Parts No.	Parts name	Remarks	Level	Cons	Qty
1	40133271	FEED_DOG_S(2.5X3.5)				1
2	40133273	FEED_DOS_E(2.5X3.5)				1
3	40133272	FEED_DOS_E(2.2X3.3)				1
4	10717205	FEED DOG,W10 GROOVE				1
5	10717304	FEED DOG (THIN THREAD)				1
6	40133312	SLIDE_PLATE_2810-7R_ASM				1
7	40155087	SLIDE_PLATE_1N_ASM				1

TABLE OF OPTIONAL GAUGE PARTS (2)

For piping パイピング用				
Feed foot 送り足		Presser foot asm. 押え足 (組)		
				
Size(mm)	No.	Part No.	No.	Part No.
Ø4.8mm(3/16)	1	B1478-245-000	2	B1530-245-0AD
Ø6.4mm(1/4)			3	B1530-245-0AF
Ø7.9mm(5/16)			4	B1530-245-0AH
Ø9.5mm(3/8)			5	B1530-245-0AK
				
Size(mm)	No.	Part No.	No.	Part No.
Ø4.8mm(3/16)	6	B1479-245-00D	9	B1531-245-0AD
Ø6.4mm(1/4)	7	B1479-245-00F	10	B1531-245-0AF
Ø7.9mm(5/16)	8	B1479-245-00H	11	B1531-245-0AH
Ø9.5mm(3/8)	-	-	-	-
				
Size(mm)	No.	Part No.	No.	Part No.
Ø4.8mm(3/16)	12	B1474-245-00D	16	B1527-245-0AD
Ø6.4mm(1/4)	13	B1474-245-00F	17	B1527-245-0AF
Ø7.9mm(5/16)	14	B1474-245-00H	18	B1527-245-0AH
Ø9.5mm(3/8)	15	B1474-245-00K	19	B1527-245-0AK

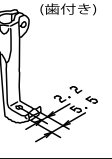

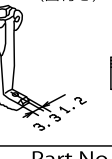



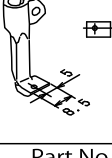

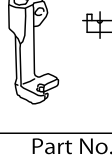

Right-edge presser 右片押え			
Feed foot 送り足		Presser foot asm. 押え足 (組)	
			
No.	Part No.	No.	Part No.
20	B1476-245-00A	21	B1529-245-0AA
Left-edge presser 左片押え			
			
No.	Part No.	No.	Part No.
22	103-38309	23	B1525-563-SA0
			
No.	Part No.	No.	Part No.
24	B1470-245-000	25	B1524-245-0A0
For binding テープ付け用			
			
No.	Part No.	No.	Part No.
26	MAQ-09307000		
			
No.	Part No.	No.	Part No.
27	MAN-10452000	28	MAQ-093080A0

TABLE OF OPTIONAL GAUGE PARTS (2)

No.	Parts No.	Parts name	Remarks	Level	Cons	Qty
1	B1478245000	INNER PRESSER				1
2	B15302450AD	OUTER PRESSER FOOT ASM.,3/16.				1
3	B15302450AF	OUTER PRESSER FOOT 1/4 ASM.				1
4	B15302450AH	OUTER PRESSER FOOT ASM. (5/16)				1
5	B15302450AK	OUTER PRESSER FOOT ASM. (3/8)				1
6	B147924500D	CENTER PRESSER FOOT 3/16				1
7	B147924500F	BACK CUT INNER PRESSER 1/4				1
8	B147924500H	BACK CUT INNER PRESSER 5/16				1
9	B15312450AD	OUTER PRESSER FOOT ASM. 3/16				1
10	B15312450AF	OUTER PRESSER ASM., 1/4				1
11	B15312450AH	FEEDING FRAME 5/16 ASM.				1
12	B147424500D	INNER PRESSER (BLADE) 3/16				1
13	B147424500F	WALKING FOOT, F				1
14	B147424500H	INNER PRESSER 5/16				1
15	B147424500K	CENTER PRESSER FOOT 3/8				1
16	B15272450AD	FEEDING FRAME 3/16 ASM.				1
17	B15272450AF	OUTER PRESSER ASM., 1/4				1
18	B15272450AH	OUTER PRESSER FOOT ASM. 5/16				1
19	B15272450AK	OUTER PRESSER FOOT ASM.3/8				1
20	B147624500A	INNER PRESSER				1
21	B15292450AA	OUTER PRESSER FOOT ASM., RIGHT				1
22	10338309	UPPER FEED FOOT				1
23	B1525563SA0	PRESSER FOOT ASM.				1
24	B1470245000	WALKING FOOT				1
25	B15242450A0	PRESSER FOOT ASM.				1
26	MAQ09307000	WALKING FOOT				1
27	MAN10452000	UPPER FEED FOOT				1
28	MAQ093080A0	PRESSER FOOT ASM.				1

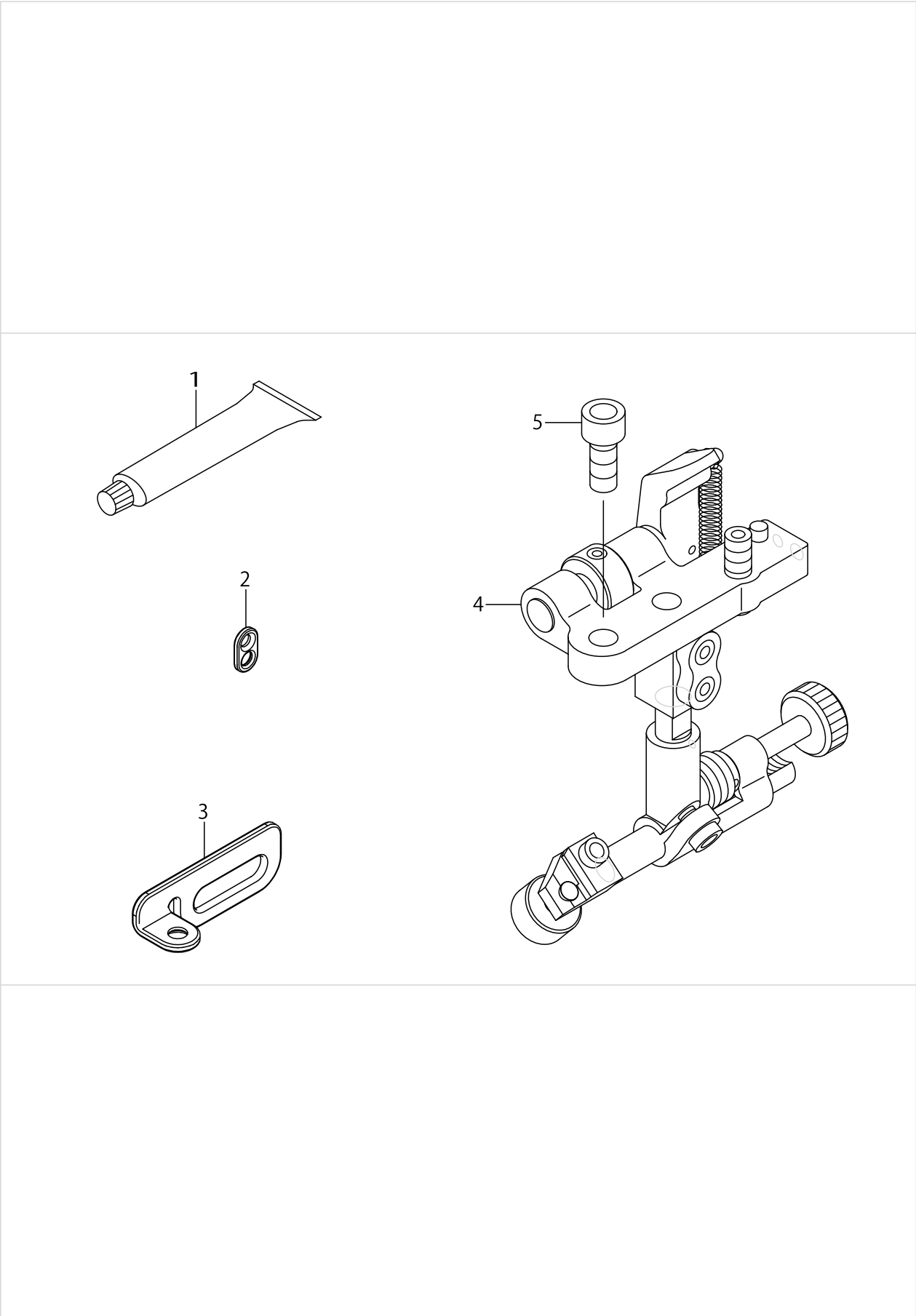
TABLE OF OPTIONAL GAUGE PARTS (3)

For piping パイピング用					Right-edge presser 右片押え				
		Feed foot asm. 送り足 (組)		Presser foot asm. 押え足 (組)		Feed foot asm. 送り足 (組)		Presser foot asm. 押え足 (組)	
Size(mm)	No.	Part No.	No.	Part No.	No.	Part No.	No.	Part No.	
∅3mm	1	107-45354	5	107-47350	19	107-11851	20	107-12859	
∅4mm	2	107-45453	6	107-47459					
∅5mm	3	107-45552	7	107-47558					
∅6mm	4	107-45651	8	107-47657					
		Adjustment type 調整式				Left-edge presser 左片押え			
Size(mm)	No.	Part No.	No.	Part No.	No.	Part No.	No.	Part No.	
∅3mm	9	107-46352	5	107-47350	21	107-11950	22	107-12958	
∅4mm	10	107-46451	6	107-47459					
∅5mm	11	107-46550	7	107-47558					
∅6mm	12	107-46659	8	107-47657					
For urethane ウレタン用					Wide type 幅広タイプ				
		Feed foot asm. 送り足 (組)		Presser foot asm. 押え足 (組)		Feed foot asm. 送り足 (組)		Presser foot asm. 押え足 (組)	
		For light-weight urethane 薄いウレタン用				No.		Part No.	
						23		107-12057	
		No.		Part No.		24		107-13055	
		13		107-11653					
		For light-weight urethane 薄いウレタン用							
		No.		Part No.					
		14		107-12354					
		For heavy-weight urethane 厚いウレタン用							
		No.		Part No.					
		15		107-11752					
		16		107-12750					
For thick thread 太糸用					Control area smallness 押え面積小				
		No.		Part No.		No.		Part No.	
		17		401-69655		13		107-11653	
		18		107-12552		14		107-12354	
		25		107-58456					
For overlapped sections of material 段部用									
		No.		Part No.		No.		Part No.	
		17		401-69655		13		107-11653	
		18		107-12552		14		107-12354	
		26		107-12651					

TABLE OF OPTIONAL GAUGE PARTS (3)

No.	Parts No.	Parts name	Remarks	Level	Cons	Qty
1	10745354	FEEDING FOOT (PIPING) 3MM				1
2	10745453	FEEDING FOOT (PIPING) 4MM				1
3	10745552	FEEDING FOOT (PIPING) 5MM				1
4	10745651	FEEDING FOOT (PIPING) 6MM				1
5	10747350	PRESSER FOOT (PIPING) 3MM				1
6	10747459	PRESSER FOOT (PIPING) 4MM				1
7	10747558	PRESSER FOOT (PIPING) 5MM				1
8	10747657	PIPING FOOT 6MM				1
9	10746352	FEEDING FOOT (PIPING) 3MM ADJUSTABL ASM.				1
10	10746451	FEEDING FOOT (PIPING) 4MM ADJUSTABL ASM.				1
11	10746550	FEEDING FOOT (PIPING) 5MM ADJUSTABL ASM.				1
12	10746659	FEEDING FOOT (PIPING) 6MM ADJUSTABL ASM.				1
13	10711653	FEED FOOT ASM.				1
14	10712354	FEED FOOT ASM.				1
15	10711752	FEEDING FOOT (URETHANE)				1
16	10712750	PRESSER FOOT, URETHANE				1
17	40169655	FEED_FOOT_3.0				1
18	10712552	PRESSER FOOT ASM.				1
19	10711851	FEEDING FOOT ASM. RIGHT				1
20	10712859	FEEDING FOOT, RIGHT				1
21	10711950	FEEDING FOOT ASM.,LEFT				1
22	10712958	PRESSER FOOT,LEFT				1
23	10712057	FEED FOOT ASM.				1
24	10713055	FEED FOOT ASM.				1
25	10758456	PRESSER FOOT ASM.				1
26	10712651	PRESSER FOOT ASM				1

OPTIONAL PARTS



OPTIONAL PARTS

No.	Parts No.	Parts name	Remarks	Level	Cons	Qty
1	40006323	JUKI GREASE A TUBE				1
2	40173070	NEEDLE_BAR_THREAD_GUIDE_10ESA				1
3	40169642	THREAD_GUIDE_B				1
4	MAH152010A0	RULER				1
5	SM6061402TP	SCREW M6 L=14				2

LIST FOR INFORMATION OF CHANGE

As to the place changed, refer to the corresponding Rev.No.
 When previous parts (Obsolated part) and new parts (Added parts) are
 not interchangeable with each other:
 In this case, even obsolated parts (D.) can be ordered with the
 obsolated part number, so select the parts with changed dates and
 place your orders.

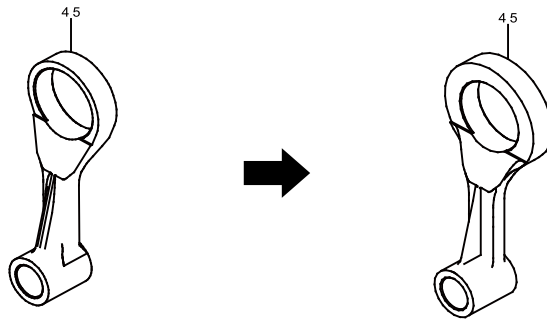
変更箇所は、該当Rev.No.版をご参照ください。
 部品の互換性がない変更の場合は、削除された品番でも、ご注文できます。

40169630
No.1691-01···Rev.No.

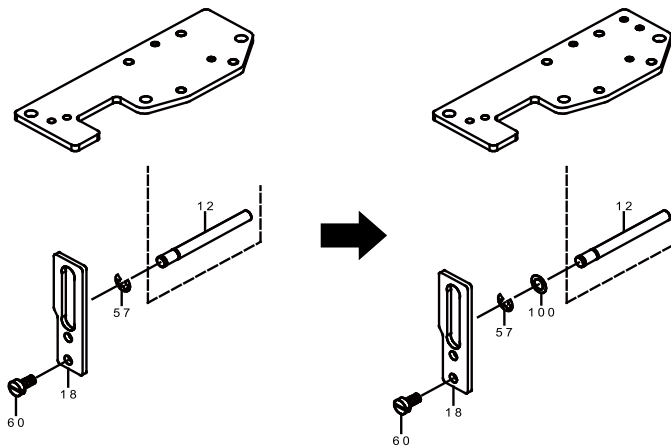
*A:Added parts追加部品/D:Obsolated parts削除部品/E:Erratum訂正

* Rev. No.	Page 頁	Ref. No.	Parts No. 品 番	* Rev. No.	Page 頁	Ref. No.	Parts No. 品 番
D 00	2	30	401-69689	A 01	2	30	401-69642
				A 01	6	41	401-78188
				A 01	8	68	401-78330
D 00	14	3	107-10804	A 01	14	3	401-78095
D 00	14	6	40144287	A 01	14	6	401-78169
D 00	14	8	401-25852	A 01	14	8	401-78171
D 00	14	11	SM-4030601-SN	A 01	14	11	SM-6040650-TP
D 00	14	23	401-35014	A 01	14	23	401-71574
D 00	14	47	401-12197	A 01	14	47	401-78333
D 00	18	83	401-69691	A 01	18	83	401-78995
D 00	18	84	401-69692	A 01	18	84	401-78996

CORRECTION AND SUPPLEMENT (1)



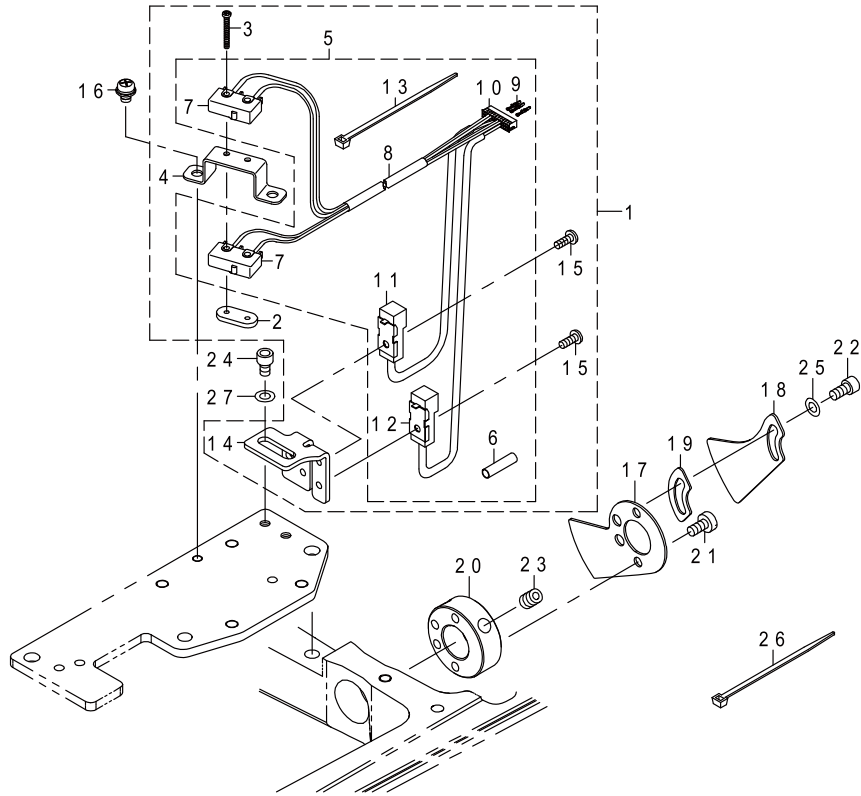
Page	Item	No.	Before a change	After a change	English Name	Japanese name	Qty.	Remarks
P.4	Main Shaft & Thread Take-up Lever Components	35	40160240	40182477	THREAD TAKE UP COMP L	L	1	-
		40	40160241	40182476	THREAD TAKE UP ASM L B	L_B	(1)	-
		42	40143075	40182475	NEEDLE BAR CRANK ROD COMP		(1)	-
		44	40143076	40182474	NEEDLE BAR CRANK ROD ASM		(1)	-
		45	40112093	40181687	NEEDLE BAR CRANK ROD		(1)	-



Page	Item	No.	Before a change	After a change	English Name	Japanese name	Qty.	Remarks
P.14	Upper Feed Components	57	RE0500000 K0	40181045	E_RING	E	1	-
		86	40125868	40182812	INSTALLING P LATE		1	-
		100	-	WP0650216 KD	WASHER 6.5X11 X0.2	6.5X11 X0.2	1	-

Page	Item	No.	Before a change	After a change	English Name	Japanese name	Qty.	Remarks
P.18	Upper Feed Components	96	SM8040412 TP	SM8030412 TP	SCREW	M3 L=4	2	-

CORRECTION AND SUPPLEMENT (2)



Page	Item	No.	Before a change	After a change	English Name	Japanese name	Qty.	Remarks	
P.24	Speed Adjust Components	1	40126260	40183808	VERTICAL DETECTOR SWITCH ASM	S W	1	-	
		5	40126131	40181864	SPEED CONTROL CORD ASM		(1)	-	
		11	-	HD00203000C	SENSOR		(1)	-	
		12	-	HD00203000D	SENSOR		(1)	-	
		14	-	40183720	SENSOR BRACKET		(1)	-	
		15	-	SM5030801SC	SCREW M 3X0.5 L=8		M3X0.5 L=8	(2)	-
		17	-	40183718	SLIT PLATE A		A	1	-
		18	-	40183719	SLIT PLATE B		B	1	-
		19	-	40183737	SLIT PLATE WASHER			1	-
		20	-	40183739	SLIT PLATE COLLAR			1	-
		21	-	SM6040860 TP	SCREW M 4 L=8			2	-
		22	-	SM6040802 TP	SCREW M 4X0.7 L=8		M4X0.7 L=8	2	-
		23	-	SM80608 A2TP	SCREW M 6 L=8		M6 L=8	2	-
		24	-	SM6040602 TP	SCREW M 4X0.7 L=6		M4X0.7 L=6	2	-
		25	-	WP0430800SD	WASHER M4		M4	2	-
		26	-	EA9500 B0100	CABLE BAND			1	-
		27	-	WP0450801SD	WASHER 4.5X10X0.8		4.5X10X0.8	2	-

HOW TO MAKE USE OF THIS PARTS LIST

1.Explanation of codes

1)"*"mark.....means this part is changed from the previous parts book.

As to the details of the change, refer to the "List for information of change".

2)"#01".....refer to "Note" explanation at bottom of page.

2.Codes on the "Qty" column

- Each numeral indicates the number of parts required.
- "0.1" and "2.5" indicate the length (in meters) of the respective parts.

3.Parentheses mean that the corresponding part is a subpart that constructs an assembly part.

4.Dotted lines on the Figures indicate assembly parts.

5.As to the parts with marks of "☆"(consumable parts) and "◎"(optional parts)on the respective parts, it is recommended to prepare spares.

1 ."注記"欄の記号説明

1) "*"印.....前回のパーツブックに比較して今回変更された部品を意味します。

変更内容は、"変更情報リスト"を参照してください。

2) "#01".....ページ下の"注記"の説明を参照してください。

2.数量欄の数字は、個数を表し、0.1、2.5等の数値は、長さ（単位メートル）を表します。

3.数量欄の（ ）は、組部品を構成している子部品であることを意味します。

4.イラストページの-----枠は、組構成であることを意味します。

5.リストページの"☆"（消耗部品）、"◎"（オプション部品）の印がついた部品は、予備を準備しておくことをお奨めします。

NUMERICAL INDEX OF PARTS

PART NO	PAGE	REF NO.	PART NO	PAGE	REF NO.	PART NO	PAGE	REF NO.
10320109	54	34	13424502	34	31	22945703	54	9
10338309	78	22	13718507	60	16	22945802	54	11
10539906	70	5	13765607	62	13	22949101	26	17
10546901	8	51	13817408	54	18	22951552	2	27
10697506	54	14	13860408	58	18	22954309	54	2
10711653	72	8	13951009	26	22	22956205	48	2
10711653	80	13	18035006	36	85·86	22957104	48	3
10711752	80	15	18035105	36	85·86	22957203	48	4
10711851	80	19	18035303	26	13	22963409	54	10
10711950	80	21	18035501	40	6	23605207	6	18
10712057	80	23	18035709	52	19	23628357	62	23
10712354	80	14	18035907	42	12	23629306	70	9
10712552	22	74	21334800	18	22	23629405	62	86
10712552	72	10	21334800	70	1	23629405	64	86
10712552	80	18	21350152	72	9	23630007	34	13
10712651	80	26	21387709	14	53	23630007	62	75
10712750	80	16	21387907	14	55	23630007	64	75
10712859	80	20	21389408	48	11·12	23630106	62	83
10712958	80	22	21413158	70	4	23630106	64	83
10713055	80	24	22528509	54	39	23630403	62	28
10715704	34	62	22606206	10	30~37	23630502	62	29
10715704	36	62	22606305	10	30~37	23630601	62	31
10717205	76	4	22606404	10	30~37	23630650	62	27
10717304	76	5	22607600	10	30~37	23631708	42	16
10721504	6	39	22607709	10	30~37	23631807	42	17
10740900	70	24	22607808	10	30~37	23631906	42	18
10745354	80	1	22607907	10	30~37	23632102	42	14
10745453	80	2	22617807	54	16	23638406	46	2
10745552	80	3	22618201	54	19	26017400	30	71
10745651	80	4	22618706	54	33	26018705	30	62
10746352	80	9	22901805	2	6	26229302	36	53
10746451	80	10	22902506	2	16	26231902	48	31
10746550	80	11	22904106	28	35	26260109	60	2
10746659	80	12	22904155	22	52	26260307	60	3
10747350	80	5	22904155	28	34	26260406	60	4
10747459	80	6	22911804	34	61	26260505	60	6
10747558	80	7	22911804	36	61	26260802	60	8
10747657	80	8	22912257	54	1	26261008	60	9
10758456	80	25	22921308	60	32	26261503	60	11
11015906	64	69	22921407	60	31	32055501	56	6
12210803	64	74	22921506	54	31	40006323	82	1
12938304	54	17	22921506	60	28	40006716	26	2
13142609	62	66	22921704	60	29	40010437	6	20
13142609	64	66	22926208	70	36	40010438	6	21
13409107	26	10	22935308	62	26	40010439	6	22

NUMERICAL INDEX OF PARTS

PART NO	PAGE	REF NO.	PART NO	PAGE	REF NO.	PART NO	PAGE	REF NO.
40010440	6	23	40088959	60	30	40112214	70	29
40010533	6	14	40090058	20	17	40112215	44	3
40010534	6	15	40094561	2	42	40112216	44	5
40010535	6	16	40096325	66	14	40112218	54	22
40011902	6	37	40096326	66	17	40112219	54	23
40013595	62	36	40096327	66	19	40112224	4	49
40023627	20	21	40101713	62	47	40112224	72	12
40028294	62	21	40101714	64	53	40112225	72	14
40032804	62	34	40101715	62	43	40112228	52	9
40034674	2	10	40101716	62	44	40112232	48	13
40034675	2	9	40101717	62	45	40112233	48	36
40036167	62	24	40101719	62	41	40112234	48	35
40038494	20	35	40102087	70	6	40112235	48	8
40042716	2	11	40102249	62	42	40112240	12	15
40048536	70	25	40102261	2	4	40112246	62	15
40052254	42	4	40105508	44	1	40112252	16	5
40069741	62	17	40105509	44	4	40112270	10	10
40075542	18	36	40105510	44	2	40112272	10	9
40075547	18	40	40106576	66	31	40112274	6	10
40075548	18	41	40106579	66	26	40112278	48	9
40077931	36	74	40106580	66	30	40112285	56	11
40079298	70	23	40106582	66	25	40112288	42	13
40079898	18	28	40112087	6	1	40112293	28	30
40079899	18	29	40112091	6	30	40112312	6	24
40079900	18	30	40112092	6	41	40112318	62	14
40079902	18	32	40112093	6	45	40112320	62	1
40079903	18	33	40112094	6	46	40113224	14	61
40079909	18	37	40112106	6	26	40116455	64	48
40079912	18	42	40112127	36	49	40116457	64	50
40085784	66	2	40112137	52	2	40116458	64	51
40085785	66	3	40112138	52	3	40116459	64	52
40085786	66	4	40112140	52	5	40123248	48	37
40085787	66	5	40112149	52	6	40123252	28	29
40085788	66	6	40112151	52	8	40123262	20	28
40085789	66	7	40112152	10	6	40123319	20	27
40085790	66	8	40112184	26	3	40123320	20	29
40085791	66	9	40112187	26	14	40123321	20	30
40085792	66	10	40112188	26	15	40123332	28	27
40085793	66	11	40112191	40	7	40123340	12	20
40085794	66	12	40112192	40	11	40123345	22	72
40085795	66	13	40112199	22	48	40123345	30	67
40085796	66	16	40112204	54	21	40123414	20	39
40086018	26	24	40112211	72	3	40123547	28	16
40086679	56	15	40112212	72	1	40123626	28	14
40088958	60	27	40112213	42	15	40123666	28	1

NUMERICAL INDEX OF PARTS

PART NO	PAGE	REF NO.	PART NO	PAGE	REF NO.	PART NO	PAGE	REF NO.
40123667	28	4	40126269	20	36	40130003	34	70
40125843	28	13	40126311	60	14	40130003	36	70
40125844	60	25	40126321	6	12	40130004	34	69
40125850	22	50	40126338	20	33	40130004	36	69
40125851	60	7	40126339	28	28	40130005	34	71
40125854	20	9	40126349	72	2	40130005	36	71
40125856	28	22	40126350	72	4	40130006	34	88
40125857	28	25	40126350	74	2	40130006	36	88
40125858	36	64	40126351	16	9	40130277	6	25
40125867	20	22	40126354	60	10	40130283	58	4
40125868	22	86	40126355	60	1	40130284	58	5
40125869	70	12	40126357	28	12	40130412	34	39
40125872	52	4	40126359	30	66	40130704	2	15
40125873	54	4	40126360	16	10	40130819	36	87
40125876	22	71	40126363	34	1	40130820	34	89
40125877	72	16	40126364	26	6	40130820	36	89
40125879	48	5-6	40126367	26	1	40131916	70	27
40125926	20	46	40126372	12	25	40132118	34	78
40125927	60	13	40126374	20	45	40132118	36	78
40125928	60	24	40126382	14	52	40133270	72	5
40125929	62	35	40126390	20	32	40133271	76	1
40125930	6	38	40126391	16	15	40133272	72	6
40125935	30	65	40126400	22	49	40133272	76	3
40125943	20	18	40126401	28	10	40133273	76	2
40125948	56	2	40126404	54	24	40133312	76	6
40125949	56	4	40126405	70	7	40133612	52	1
40125950	6	27	40126549	60	23	40133655	52	7
40126116	34	15	40126550	60	12	40133730	70	31
40126127	58	11	40126562	56	14	40133826	34	38
40126129	42	20	40126563	56	13	40134105	34	12
40126130	48	32	40126582	64	82	40134528	34	5
40126131	46	5	40126594	60	5	40134532	8	50
40126150	26	4	40126642	36	66	40134545	8	49
40126151	28	15	40126643	36	68	40134805	2	29
40126155	68	1	40126724	54	25	40134834	2	22
40126160	20	31	40127041	10	7	40135472	16	13
40126221	2	32	40127446	64	49	40135473	16	11
40126222	70	20	40129984	34	3	40135475	16	6
40126223	20	34	40129985	36	65	40137431	16	2
40126259	46	4	40129986	34	2	40137553	30	68
40126260	46	1	40129988	34	4	40137554	30	70
40126263	56	3	40129991	36	50	40137612	36	93
40126264	20	37	40129995	2	21	40137613	34	14
40126265	54	3	40129999	36	67	40137779	28	33
40126267	70	8	40130001	34	17	40137780	28	26

NUMERICAL INDEX OF PARTS

PART NO	PAGE	REF NO.	PART NO	PAGE	REF NO.	PART NO	PAGE	REF NO.
40137780	34	36	40147948	42	3	40151800	70	11
40137921	48	18	40147949	2	38	40151803	70	37
40138418	12	38~51	40147956	64	78	40151804	70	38
40138419	12	38~51	40147985	18	23	40151805	70	39
40138420	12	38~51	40148037	18	38	40152022	60	35
40138421	12	38~51	40148283	2	23	40154199	20	19
40138422	12	38~51	40149030	18	24	40154825	48	1
40138423	14	38~51	40149032	18	26	40154832	30	94
40139043	12	30	40149033	18	27	40154833	30	92
40139345	56	1	40149034	18	31	40155087	76	7
40142204	18	1	40149035	18	34	40155295	48	38~44
40142208	52	10	40149036	18	35	40155296	48	38~44
40142213	66	1	40149037	18	39	40155297	48	38~44
40142215	72	13	40149038	18	25	40155298	48	38~44
40142430	70	13	40149115	22	87~90	40155299	48	38~44
40143061	72	7	40149115	30	80~83	40155301	48	45~51
40143075	6	42	40149116	22	87~90	40155302	48	45~51
40143076	6	44	40149116	30	80~83	40155303	48	45~51
40143077	6	36	40149117	22	87~90	40155304	50	45~51
40143083	6	29	40149117	30	80~83	40155305	50	45~51
40143084	12	27	40149118	22	87~90	40155371	64	80
40143087	30	50	40149118	30	80~83	40155440	64	81
40143088	6	13	40149120	22	91~94	40155956	54	5
40143185	14	38~51	40149120	28	17~20	40155958	54	6
40143188	14	38~51	40149120	36	94~97	40155960	54	7
40143221	10	12	40149121	22	91~94	40155994	54	8
40143553	58	14	40149121	28	17~20	40156013	74	1
40143581	14	38~51	40149121	38	94~97	40157625	50	45~51
40143624	34	32	40149122	22	91~94	40157626	50	45~51
40144283	26	5	40149122	28	17~20	40157628	48	38~44
40145548	20	42~44	40149122	38	94~97	40157629	48	38~44
40145549	20	42~44	40149123	24	91~94	40160240	6	35
40145550	20	42~44	40149123	28	17~20	40160241	6	40
40147913	18	43	40149123	38	94~97	40160242	6	47
40147913	70	34	40149125	24	95~98	40161459	54	13
40147915	16	1	40149125	30	76~79	40163914	70	35
40147918	4	47	40149126	24	95~98	40164521	70	18
40147918	72	11	40149126	30	76~79	40169433	18	4
40147919	2	24	40149127	24	95~98	40169434	18	5
40147942	48	5·6	40149127	30	76~79	40169435	18	6
40147943	48	11·12	40149128	24	95~98	40169436	18	7
40147944	2	46	40149128	30	76~79	40169437	18	8
40147944	72	15	40150131	2	44	40169439	18	10
40147946	42	1	40151791	60	15	40169442	18	13
40147947	42	2	40151799	2	5	40169443	18	14

NUMERICAL INDEX OF PARTS

PART NO	PAGE	REF NO.	PART NO	PAGE	REF NO.	PART NO	PAGE	REF NO.
40169444	18	15	40169674	20	1	40174557	10	19~23
40169445	18	16	40169675	20	4	40174558	10	19~23
40169446	18	17	40169676	20	5	40174559	10	24~28
40169447	18	18	40169677	20	12	40174560	10	24~28
40169448	18	19	40169678	20	2	40176440	32	97
40169449	18	20	40169679	20	38	40176628	20	7
40169450	18	21	40169680	20	40	40176783	14	54
40169451	18	2	40169681	20	16	40178095	20	3
40169452	18	3	40169682	22	51	40178169	20	6
40169453	18	9	40169683	22	67~70	40178171	20	8
40169454	18	11	40169684	22	67~70	40178188	10	41
40169455	18	12	40169685	22	85	40178330	14	68
40169629	34	24	40169686	22	75	40178333	20	47
40169630	70	33	40169686	28	5	40178995	30	84~88
40169631	70	14·15·26	40169687	22	64	40178996	30	84~88
40169632	70	14·15·26	40169688	28	2	B111105100B	2	45
40169633	70	14·15·26	40169690	30	89	B1111563000	2	35
40169640	2	1	40169693	30	84~88	B1132521000	2	12
40169642	2	30	40169694	28	6	B1140761000	64	84
40169642	82	3	40169695	28	7	B1223771000	20	15
40169644	6	2	40169696	28	11	B125578100A	28	32
40169647	6	4	40169697	28	23	B1308055000	14	58
40169649	10	19~23	40169698	28	24	B1310055000	14	59
40169650	10	19~23	40169700	6	6	B1314055000	14	60
40169651	10	29	40169701	6	7	B1412051000	10	15
40169652	10	24~28	40169702	34	23	B1438512B00	10	30~37
40169653	10	24~28	40169703	48	7	B1470245000	78	24
40169654	10	24~28	40169704	48	10	B147424500D	78	12
40169655	80	17	40169705	48	34	B147424500F	78	13
40169656	10	1	40169706	62	40	B147424500H	78	14
40169657	10	3	40169707	62	11	B147424500K	78	15
40169658	10	4	40171133	64	79	B147624500A	78	20
40169659	10	2	40171403	10	19~23	B1478245000	78	1
40169661	12	1	40171574	20	23	B147924500D	78	6
40169662	12	2	40171795	30	73~75	B147924500F	78	7
40169663	12	3	40171796	30	73~75	B147924500H	78	8
40169664	12	5	40171797	30	73~75	B1504210000	40	1
40169665	12	34	40171825	32	95	B1516210D00	70	19
40169666	12	32	40171826	34	46	B15242450A0	78	25
40169667	12	16	40173070	82	2	B1525563SA0	78	23
40169668	12	9	40173071	20	20	B152652700G	34	63
40169669	14	56	40174550	22	67~70	B152652700G	36	63
40169671	12	19	40174551	22	67~70	B15272450AD	78	16
40169672	14	57	40174552	30	84~88	B15272450AF	78	17
40169673	12	11	40174553	30	84~88	B15272450AH	78	18

NUMERICAL INDEX OF PARTS

PART NO	PAGE	REF NO.	PART NO	PAGE	REF NO.	PART NO	PAGE	REF NO.
B15272450AK	78	19	CS1701181TP	10	17	NS6150430SP	42	28
B15292450AA	78	21	D1231555B00	12	28	NS6680410SP	30	63
B15302450AD	78	2	D1231555B00	28	31	PA200150900	36	84
B15302450AF	78	3	D2112555B00	2	40	PA250250900	40	12
B15302450AH	78	4	D2464555B00	52	11	PA250250900	42	5
B15302450AK	78	5	D2629M1YC0F	36	52	PA400150200	26	16
B15312450AD	78	9	E2613700000	20	26	PF055107000	58	20
B15312450AF	78	10	E8760452D00	46	6	PH0400062C0	74	3
B15312450AH	78	11	EA9500B0100	36	91	PJ025100003	58	19
B1639051000	12	14	EA9500B0100	42	21	PJ046052503	36	77
B1843563000	62	58	EA9500B0100	48	33	PJ046052503	42	7
B1843563000	64	58	EA9500B0100	56	16	PJ046052503	52	14
B2508047000	48	15	EA9500B0100	58	12	PJ304040504	40	5
B255728000A	12	38~51	EA9500B0100	64	56	PJ304045102	26	21
B255728000B	12	38~51	EA9500B0200	58	13	PJ304065101	58	21
B255728000C	12	38~51	HA004680000	46	7	PX050501000	42	25
B255728000D	12	38~51	HK063610220	46	10	RC0150001KP	22	53
B255728000E	12	38~51	HK075230000	46	9	RC0150001KP	28	37
B3031141H00	40	3	HW000840040	46	8	RC0560711KP	16	3
B3112704000	54	20	HX00150000B	70	22	RC0560711KP	60	17
B31375270A0	54	15	HX00150000C	58	6	RC0650811KP	30	49
B3538112000	12	23	HX00150000H	58	8	RC0740816K0	12	37
B4122804000	34	48	HX00150000M	58	9	RC2400002KP	12	36
B4122804000	36	48	HX00150000M	64	54	RE0320000K0	40	4
B91210120A0	70	16	M13517B1600	10	40	RE0400000K0	26	23
BT0400251EB	26	12	M13517B1602	70	17	RE0400000K0	52	15
BT0400251EB	36	75-76	MAH152010A0	82	4	RE0500000K0	12	13
BT0400251EB	40	2	MAN10452000	78	27	RE0500000K0	22	57
BT0400251EB	42	6	MAO11532000	70	32	RE0500000K0	54	40
BT0400251EB	52	13	MAQ09307000	78	26	RE0600000K0	20	13
BT0600401EB	58	1	MAQ093080A0	78	28	RE1200000K0	12	29
BT0800501EB	58	2	NM6030001SC	56	7	RE1200000K0	28	38
CM300200001	2	14	NM6040002SC	66	27	RO037180100	54	26
CM600100101	2	43	NM6050001SD	36	54	RO092270200	34	55
CM600100201	70	10	NM6050001SE	66	24	RO092270200	36	55
CQ202000000	22	83	NM6050001SP	58	17	RO098240100	62	37
CQ202000000	28	48	NM6050003SC	64	60	SB108000600	12	35
CQ202000000	30	48	NM6060001CP	42	9	SB108002400	6	48
CQ202000000	64	68	NM6060001SC	42	26	SB108002400	8	48
CQ252000000	10	16	NM6060001SD	20	25	SB117000700	30	51
CQ252000000	22	79	NM6120001CP	64	77	SB120001800	6	17
CQ303000000	62	73	NS6110310SP	48	19	SB120001800	12	8
CQ303000000	64	73	NS6110310SP	54	36	SB120003200	14	66
CS1201171TP	34	33	NS6110310SP	62	63	SB125000600	22	58
CS1501181TP	30	90	NS6110310SP	64	63	SD0380556TL	2	13

NUMERICAL INDEX OF PARTS

PART NO	PAGE	REF NO.	PART NO	PAGE	REF NO.	PART NO	PAGE	REF NO.
SD0450401SP	54	27	SM4050855SP	70	21	SM6054502TP	40	10
SD0460576TP	48	14	SM4051001SN	54	37	SM6055002TP	42	10
SD0550271TP	56	8	SM4051055SP	2	28	SM6056552TP	52	22
SD0640322TP	14	62	SM4051255SP	56	12	SM6061002TP	40	8
SD0650321TP	48	20	SM4051405SE	66	23	SM6061002TP	52	12
SD0651301TH	48	16	SM4055501SC	2	3	SM6061010TP	36	82
SD0791271SP	42	22	SM6030602TP	48	22	SM6061202TP	22	62
SD0800321TH	52	16	SM6030602TP	56	9	SM6061402TP	30	61
SD0800341SP	52	17	SM6031202TP	60	20	SM6061402TP	82	5
SD0800346TP	36	79	SM6031202TP	62	46	SM6061602TP	26	19
SD0800406TP	42	24	SM6040502TP	12	22	SM6061602TP	30	52
SD0802126TP	20	24	SM6040602TP	12	21	SM6061602TP	36	83
SD0900426TP	36	80	SM6040650TP	10	8	SM6061602TP	40	9
SD1021251SP	28	21	SM6040650TP	12	24	SM6061802TP	12	31
SK3452501SE	70	2	SM6040650TP	20	59	SM6061802TP	30	53
SK3482001SE	58	15	SM6040650TP	22	59	SM6061802TP	64	61
SK3482001SE	68	2	SM6040650TP	30	69	SM6062002TP	22	63
SL4040691SC	46	11	SM6040802TP	16	7	SM6062502TP	30	93
SL4040881SC	34	26	SM6040802TP	34	42	SM6081552TP	26	18
SL4041091SC	58	3	SM6040802TP	48	23	SM6082002TP	42	11
SL4041091SC	64	55	SM6040802TP	62	16	SM8040412TP	4	48
SL4041491SC	44	6	SM6040860TP	60	19	SM8040412TP	30	96
SL4051091SC	52	18	SM6041002TP	48	17	SM8040412TP	32	96
SL6051092TN	62	38	SM6041050SN	14	67	SM8040412TP	72	17
SL6052092TN	6	5	SM6041202TP	42	27	SM8040612TP	16	8
SM0030601SC	60	18	SM6041402TP	34	45	SM8050412TP	12	33
SM0050801SC	22	61	SM6041802TP	34	73	SM8050412TP	34	47
SM0051001SC	60	34	SM6041802TP	36	73	SM8050502TP	60	21
SM1040750TP	2	34	SM6041802TP	64	67	SM8050512TP	30	91
SM1051052TN	2	37	SM6050800SP	30	72	SM8050512TP	62	39
SM1061201SN	14	63	SM6050802TP	26	9	SM8050612TP	16	14
SM4021601SN	46	3	SM6050802TP	36	81	SM8050612TP	20	10
SM4040655SP	2	36	SM6050802TP	52	20	SM80506A2TP	12	26
SM4040855SP	2	26	SM6051000SP	22	60	SM80506A2TP	30	57
SM4040855SP	50	52	SM6051202TP	12	6	SM8050812TP	6	28
SM4040855SP	58	10	SM6051202TP	36	58	SM8050812TP	30	56
SM4040855SP	62	22	SM6051202TP	58	22	SM8050842TP	30	55
SM4041201SC	66	29	SM6051400SP	36	57	SM8051002TP	60	33
SM4042501SC	66	28	SM6051402TP	52	21	SM8060552TP	22	66
SM4050501SC	10	11	SM6051402TP	70	30	SM8060552TP	48	27
SM4050655SP	70	28	SM6051602TP	36	59	SM8060612TP	6	31
SM4050855SP	2	41	SM6051602TP	48	24	SM8060612TP	10	18
SM4050855SP	42	8	SM6051802TP	26	8	SM8060612TP	16	16
SM4050855SP	54	41	SM6052002TP	34	30	SM8060612TP	26	7
SM4050855SP	64	76	SM6054502TN	26	20	SM8060612TP	34	72

NUMERICAL INDEX OF PARTS

PART NO	PAGE	REF NO.	PART NO	PAGE	REF NO.
SM8060612TP	36	72	WP0450801SP	64	85
SM80606A2TP	12	65	WP0450846SP	62	20
SM80606A2TP	14	65	WP0460556SD	54	32
SM80606A2TP	22	65	WP0501016SD	54	30
SM80606A2TP	30	58	WP0531001SC	66	22
SM8060812TP	6	34	WP0550800SP	48	30
SM8060812TP	12	10	WP0550800SP	70	3
SM8060812TP	48	25	WP0612066SP	16	4
SM80608A2TP	6	19	WP0621016SD	42	23
SM80608A2TP	20	99	WP0621036SP	36	56
SM80608A2TP	24	99	WP0651001SC	22	73
SM80608A2TP	30	59	WP0740516SP	16	12
SM8080812TP	6	32	WP0740516SP	28	64
SQ2050452MZ	64	57	WP0740516SP	30	64
SS2060310SP	10	13	WP0820516SP	6	33
SS3090710TP	54	28	WP0820516SP	20	14
SS4090515SP	56	5	WP1252210SC	12	18
SS4110615SP	54	29	WP1612616SE	66	15
SS4110815SP	54	35	WS0451040KP	60	26
SS6090910TP	72	18	WS0510002KN	58	16
SS6111052TP	30	60	WS0510002KN	66	21
SS6121210SP	34	60	WT1780011KP	34	40
SS6121210SP	36	60	WZ1052010KP	26	11
SS7060610SP	48	26			
SS7090910TP	10	5			
SS7110740TP	42	19			
SS8080410TP	10	14			
SS8110422TP	28	39			
SS8111010TP	14	64			
SS8660610TP	28	36			
SS8661012TP	54	38			
TA0500301R0	10	39			
TA0620504R0	10	38			
TA1030402R0	2	17			
TA1250406R0	2	19			
TA1270502R0	2	18			
TA1550902R0	2	39			
TA1650406R0	2	7			
WP0320501SC	48	28			
WP0320501SE	56	10			
WP0430800SD	22	84			
WP0431005SP	34	90			
WP0431005SP	36	90			
WP0450000SD	48	29			
WP0450801SP	60	22			