

MODEL : AE-18 下系残量検知 (LU-1520NC用)

List No : 1690-00

# PARTS LIST

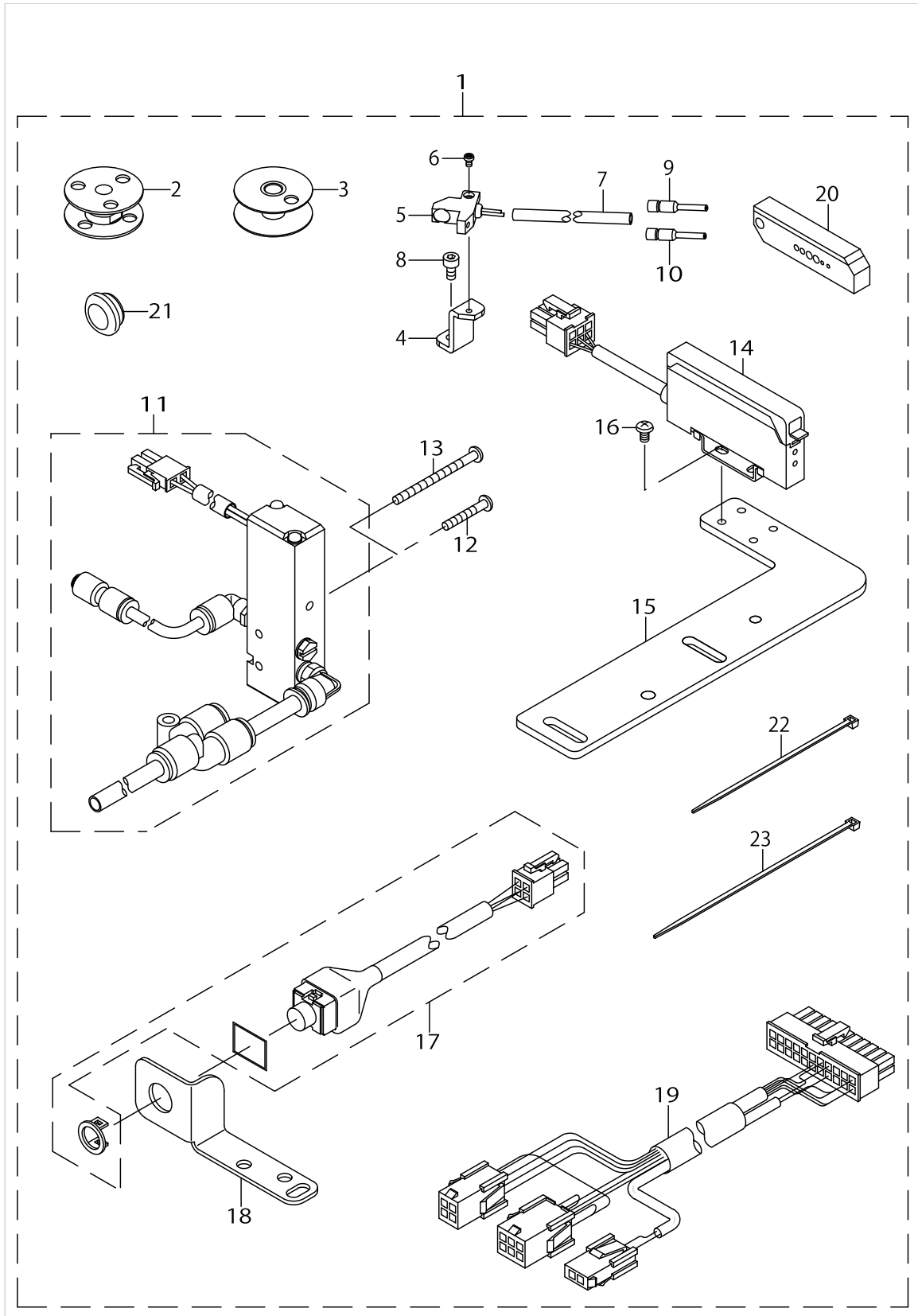
Published:09/10/2017

## CONTENTS

---

DETECTING DEVICE KIT .....	1
HOW TO MAKE USE OF THIS PARTS LIST .....	3

DETECTING DEVICE KIT



DETECTING DEVICE KIT

No.	Parts No.	Parts name	Remarks	Level	Cons	Qty
1	40171580	LU1520NC LOWER THREAD REMAIN KIT				1
2	40018386	ALUMINUM BOBBIN A		*		2
3	40018387	ALUMINUM BOBBIN B	OPTIONAL PARTS	*		2
4	40170773	SENSOR BASE		*		1
5	40064816	FAIBER SENSOR ASM.		*		1
6	SM4020301SC	SCREW M2 L=3		*		1
7	BT0400251EB	URETHANE HOSE BLACK		*		1.7
8	SM6030602TP	SCREW M3 L=6		*		1
9	GAE10117000	FIBER ADAPTER A		*		1
10	GAE10118000	FIBER ADAPTER B		*		1
11	40064819	ELECTROMAGNETIC VALVE ASM.		*		1
12	SM4032001SC	SCREW M3 L=20		*		2
13	SM4034001SN	SCREW M3 L=40		*		2
14	40102071	SENSOR AMP LIFIER A ASM.		*		1
15	40111752	SENSOR AMPLIFIER BRACKET		*		1
16	SM4030501SC	SCREW M3 L=5		*		2
17	40102073	DETECTING SWITCH ASM.		*		1
18	GAE10104000	SWITCHI BRACKET		*		1
19	40102074	AE RELAY CORD ASM.		*		1
20	GAE10116000	F CUTTER		*		1
21	10622009	COAD BUSH		*		1
22	EA9500B0000	CABLE BAND		*		10
23	A407855000A	CLIP BAND		*		1

## HOW TO MAKE USE OF THIS PARTS LIST

1.As to "#01" and "#02" refer to the "Note" given at the bottom of the respective pages.

2.Codes on the "Qty" column

- Each numeral indicates the number of parts required.
- "0.1" and "2.5" indicate the length (in meters) of the respective parts.

3.Parentheses mean that the corresponding part is a subpart that constructs an assembly part.

4.Dotted lines on the Figures indicate assembly parts.

1. リストページの# 0 1、# 0 2の印は、ページ下の"注記"の説明を参照下さい。
2. 数量欄の数字は、個数を表し、0. 1、2. 5等の数値は、長さ（単位メートル）を表します。
3. 数量欄の（ ）は、組部品を構成している子部品であることを意味します。
4. イラストページの-----枠は、組構成であることを意味します。

# NUMERICAL INDEX OF PARTS

PART NO	PAGE	REF NO.
10622009	2	21
40018386	2	2
40018387	2	3
40064816	2	5
40064819	2	11
40102071	2	14
40102073	2	17
40102074	2	19
40111752	2	15
40170773	2	4
40171580	2	1
A407855000A	2	23
BT0400251EB	2	7
EA9500B0000	2	22
GAE10104000	2	18
GAE10116000	2	20
GAE10117000	2	9
GAE10118000	2	10
SM4020301SC	2	6
SM4030501SC	2	16
SM4032001SC	2	12
SM4034001SN	2	13
SM6030602TP	2	8