

MODEL : LU-1520NCS-7

List No : 1688-02

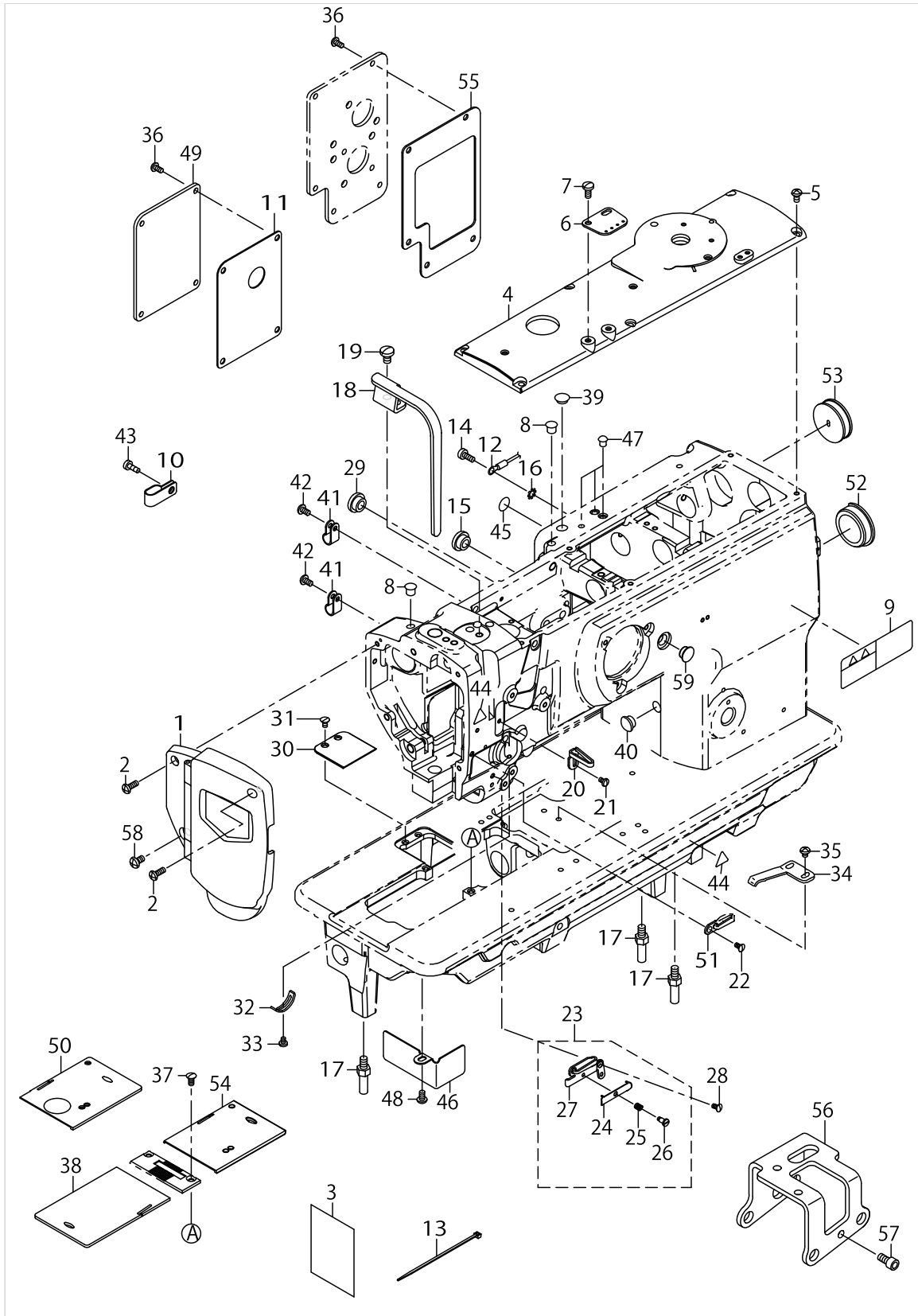
PARTS LIST

Published:11/30/2017

CONTENTS

FRAME & MISCELLANEOUS COVER COMPONENTS	1
UPPER SHAFT,LOWER SHAFT DRIVING & BALANCE COMPONENTS	5
NEEDLE BAR ROCKING COMPONENTS	9
PRESSURE ADJUSTING & UPPER FEED MECHANISM COMPONENTS (1).....	11
PRESSURE ADJUSTING & UPPER FEED MECHANISM COMPONENTS (2).....	15
FEED MECHANISM COMPONENTS.....	17
HOOK SHAFT & LOWER SHAFT COMPONENTS	21
THREAD CUTTING COMPONENTS.....	25
AUTOMATIC BACK & CONDENSE COMPONENTS.....	29
THREAD RELEASE COMPONENTS.....	31
THREAD TENSION COMPONENTS	33
LOWER THREAD WINDER MECHANISM COMPONENTS	35
AUTOMATIC PRESSER LIFTING MECHANISM COMPONENTS	37
AIR MECHANISM COMPONENTS.....	39
LUBRICATION COMPONENTS	41
BELT COVER & OIL RESERVOIR COMPONENTS.....	45
THREAD STAND COMPONENTS.....	47
ACCESSORIES PARTS COMPONENTS	49
GAUGE COMPONENTS (1).....	51
GAUGE COMPONENTS (2).....	53
GAUGE COMPONENTS (3).....	55
OPTIONAL PARTS (DL MECHANISM) COMPONENTS	57
OPTIONAL PARTS (ADDITIONAL SPRING FOR PRESSER BAR) COMPONENTS.....	59
OPTIONAL PARTS (SUSPENSION SQUARE) COMPONENTS	61
OPTIONAL PARTS (THREAD CLAMP DEVICE) COMPONENTS.....	63
LIST FOR INFORMATION OF CHANGE.....	65
HOW TO MAKE USE OF THIS PARTS LIST	66

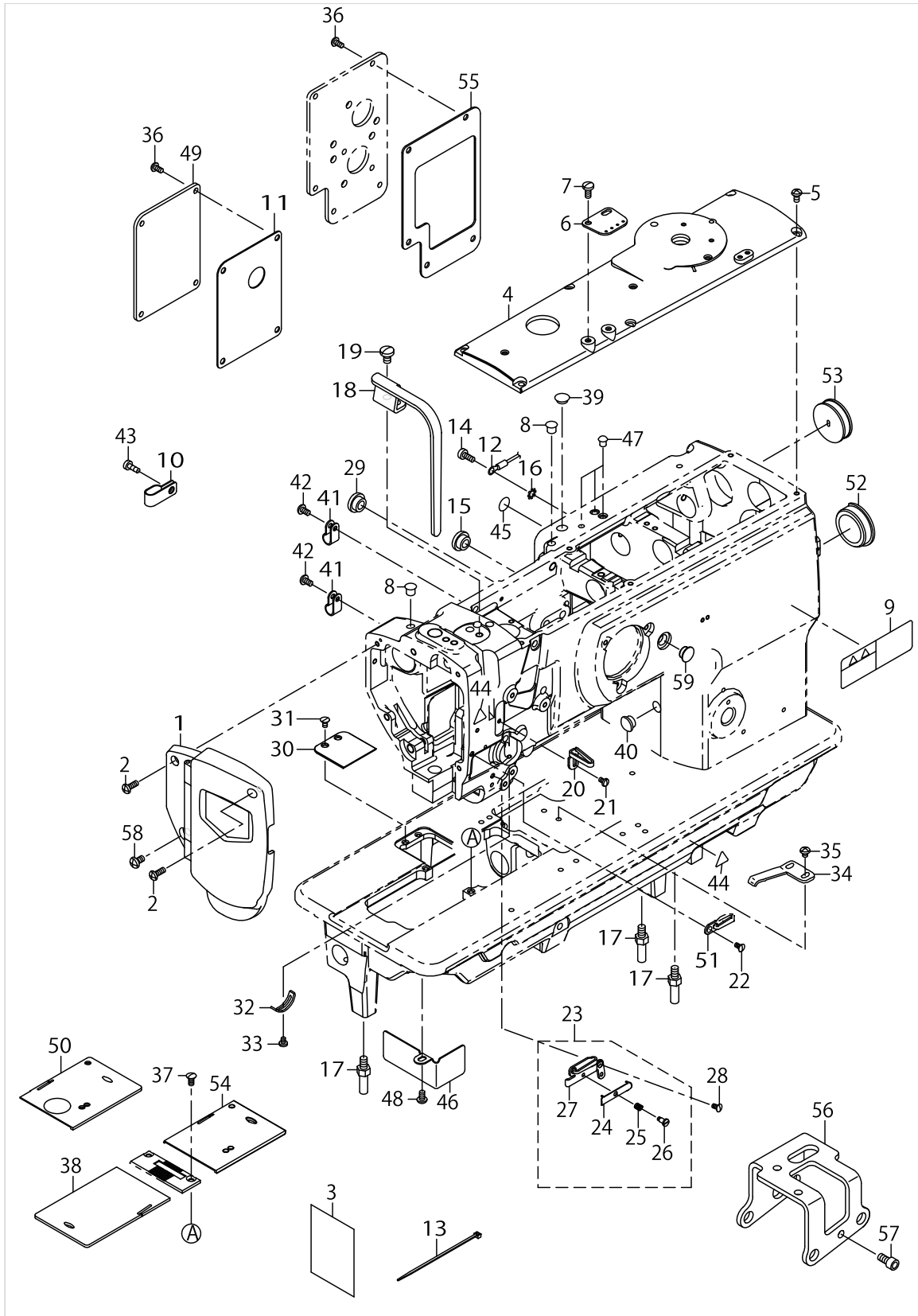
FRAME & MISCELLANEOUS COVER COMPONENTS



FRAME & MISCELLANEOUS COVER COMPONENTS

No.	Parts No.	Parts name	Remarks	Level	Cons	Qty
1	40016798	FACE PLATE ASM.				1
2	SS4111215SP	SCREW 11/64-40 L=12				2
3	40152631	LUBRICATION SUPPLEMENT				1
4	21331301	TOP COVER B				1
5	SS4110815SP	SCREW 11/64-40 L=8				6
6	21355904	ARM THREAD GUIDE				1
7	SS7621040SP	SCREW 3/16-32 L=9.5				2
8	TA0750704R0	RUBBER PLUG				2
9	CM301300001	SAFETY LABEL				1
10	D2112555B00	CORD HOLDER LARGE				1
11	21437306	WINDOW PLATE E PACKING				1
12	22951552	GROUND WIRE ASM.				1
13	EA9500B0100	CABLE BAND				1
14	SS6111140SP	SCREW 11/64-40 L=11				1
15	TA1250504R0	RUBBER PLUG				1
16	WT0530002KS	TOOTHED WASHER D=5.3				1
17	22602601	BED SCREW STUD				3
18	21331608	BALANCE COVER				1
19	SS7150910TP	SCREW 15/64-28 L=9				1
20	40125273	THREAD_GUIDE				1
21	SS5090610SP	SCREW 9/64-40 L=6				1
22	SS2090710TP	SCREW 9/64-40 L=7.2				1
23	21355656	THREAD GUIDE ASM.				1
24	17912106	NEEDLE THREAD PRESSER PLATE		*		1
25	B1132521000	THREAD PRESSER PLATE SPRING		*		1
26	SD0380551SL	HINGE SCREW D=3.80 H=5.5		*		1
27	21355607	THREAD GUIDE PLATE		*		1
28	SS2090710TP	SCREW 9/64-40 L=7.2				1
29	10622009	COAD BUSH				1
30	40162281	AUXILIARY_COVER				1
31	SM1040750TP	SCREW M4 L=7				2
32	B3138512000	TAKE-UP SPRING ADJUSTING PLATE				1
33	SS7090520TP	SCREW 9/64-40 L=4.5				1
34	B1111563000	BED SLIDE SPRING				1
35	SS4110515SP	SCREW 11/64-40 L=5				2
36	SS4110815SP	SCREW 11/64-40 L=8				4
37	SS2110920TP	SCREW 11/64-40 L=8.5				2
38	21349600	SLIDING PLATE (LEFT)				1
39	TA1250504R0	RUBBER PLUG				1
40	TA1050504R0	RUBBER PLUG				1
41	HX00123000A	CABLE CLIP				2
42	SS4110815SP	SCREW 11/64-40 L=8				2
43	SS6111140SP	SCREW 11/64-40 L=11				1
44	CM300200001	ATTENTION SEAL				2
45	22901805	GROUND MARK				1
46	21332200	OIL SHIELD (LEFT)				1
47	TA0550604R0	RUBBER PLUG				3

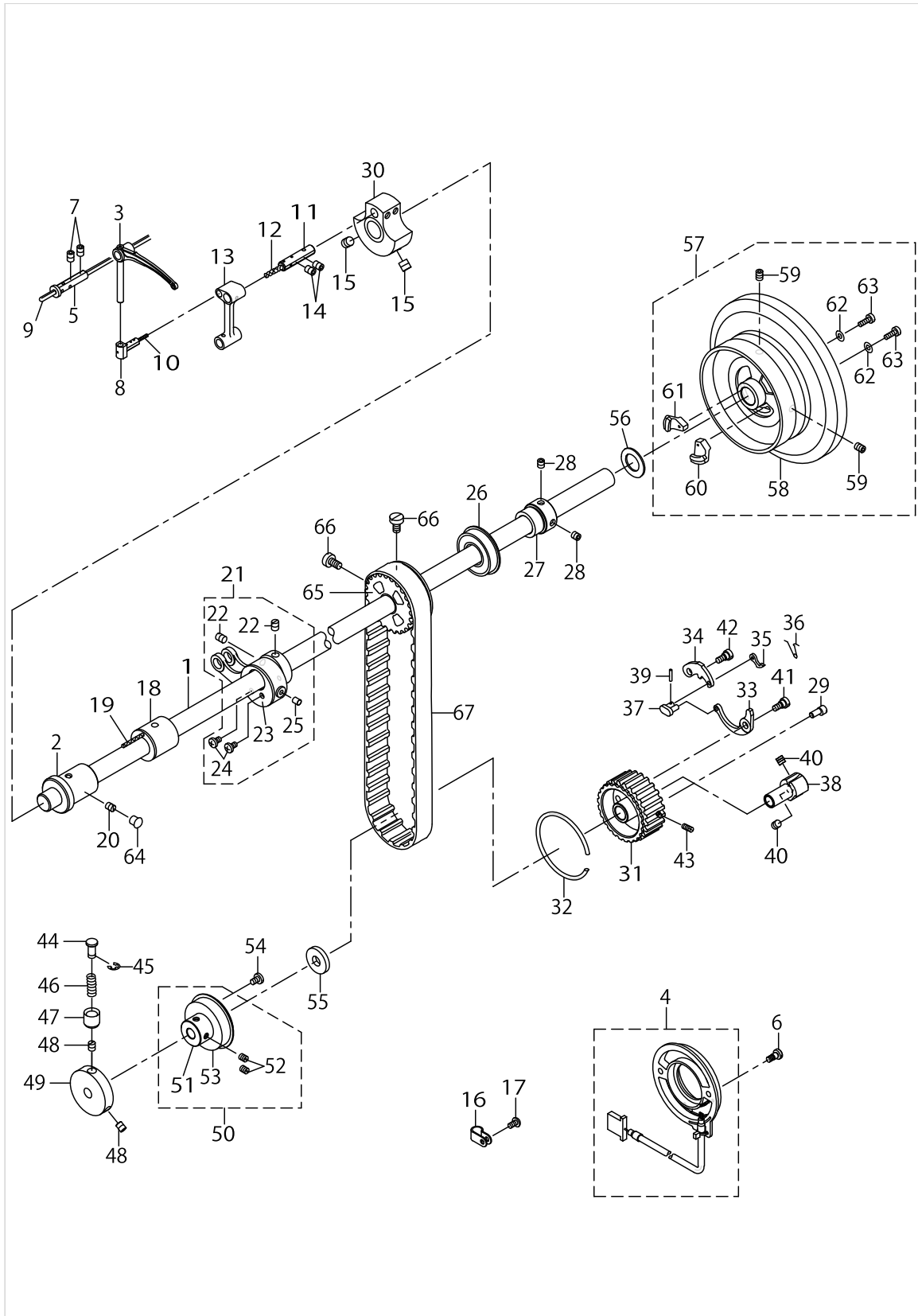
FRAME & MISCELLANEOUS COVER COMPONENTS



FRAME & MISCELLANEOUS COVER COMPONENTS

No.	Parts No.	Parts name	Remarks	Level	Cons	Qty
48	SS4110815SP	SCREW 11/64-40 L=8				1
49	21437108	WINDOW PLATE E				1
50	40172093	SLIDE_PLATE_WITH_WINDOW_R_ASM.	OPTIONAL PARTS			1
51	22603112	THREAD GUIDE				1
52	22619100	CAP				1
53	10201200	RUBBER PLUG				1
54	40162280	SLIDE_PLATE_R				1
55	21332002	WINDOW PLATE PACKING B				1
56	21343207	KNEE LIFTER SHAFT BASIS				1
57	SM6061202TP	SCREW M6 L=12				3
58	SS4150915SP	SCREW 15/64-28 L=9				1
59	TA1050504R0	RUBBER PLUG				1

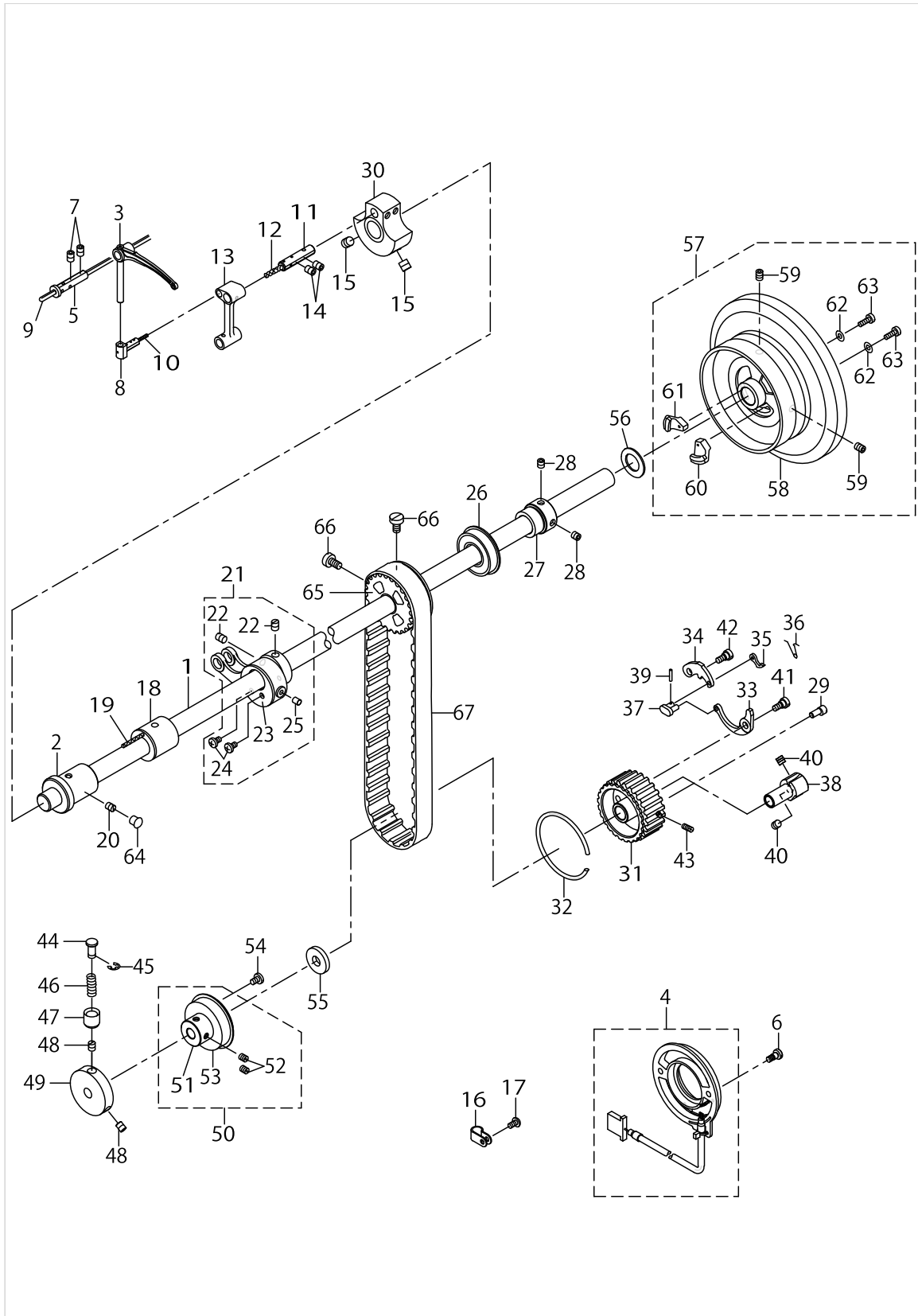
UPPER SHAFT, LOWER SHAFT DRIVING & BALANCE COMPONENTS



UPPER SHAFT,LOWER SHAFT DRIVING & BALANCE COMPONENTS

No.	Parts No.	Parts name	Remarks	Level	Cons	Qty
1	21332705	UPPER SHAFT				1
2	21333000	UPPER SHAFT FRONT METAL				1
3	40041734	THREAD TAKE-UP LEVER				1
4	40024855	CONTAIN SYNCHRO ASM.				1
5	B1906051000	TAKE-UP LEVER PIN				1
6	10604809	SCREW				2
7	SS8150822TP	SCREW 15/64-28 L=8				2
8	B1907526000	TAKE-UP LEVER THRUST PIN				1
9	CQ303000000	OIL WICK				0.45
10	CQ202000000	OIL WICK				0.03
11	B1210051000	NEEDLE BAR CRANK PIN				1
12	CQ505000000	OIL WICK				0.03
13	B1408051000	NEEDLE BAR CRANK ROD				1
14	SS8150822TP	SCREW 15/64-28 L=8				2
15	SM8080812TP	SCREW M8X8				2
16	HX00123000A	CABLE CLIP				1
17	SS4110815SP	SCREW 11/64-40 L=8				1
18	21333109	UPPER SHAFT INNER METAL				1
19	CQ202000000	OIL WICK				0.15
20	SS8150710TP	SCREW 15/64-28 L=7				1
21	40197296	HORIZONTAL_FEED_ROD_ASM				1
22	SS8660810TP	SCREW 1/4-40 L=8		*		2
23	21353008	HORIZONTAL FEED CAM COVER		*		1
24	SS7110710SP	SCREW 11/64-40 L=7		*		2
25	21387402	FELT		*		1
26	40143083	BEARING				1
27	21402300	UPPER SHAFT BEARING HOOK				1
28	SM8060602TP	SCREW M6X6				2
29	21387907	ADJUSTING PIN (1.2)				1
30	21332606	COUNTER WEIGHT (B) (38MM)				1
31	21387501	LOWER SPROCKET				1
32	B1214019000	SPROCKET RING				1
33	21387709	SAFETY CLUTCH SPRING				1
34	21387600	SAFETY CLUTCH HOOK				1
35	B1308055000	SAFETY CLUTCH COUNTER-HOOK				1
36	40113224	COUNTER HOOK SPRING				1
37	B1310055000	SAFETY CLUTCH SMALL LINK				1
38	21387808	SAFETY BASE				1
39	B1314055000	SAFETY CLUTCH SMALL LINK PIN				1
40	SS8660612TP	SCREW 1/4-40 L=6				2
41	SD0640322TP	HINGE SCREW D=6.35 H=3.2				1
42	SD0640322TP	HINGE SCREW D=6.35 H=3.2				1
43	SS8111010TP	SCREW 11/64-40 L=9.5				1
44	40104367	SAFETY CLUTCH PUSH BUTTON				1
45	RE0500000K0	E-RING 5				1
46	B1639051000	SPRING				1
47	B1313055000	SAFETY CLUTCH KNOB SLEEVE				1

UPPER SHAFT, LOWER SHAFT DRIVING & BALANCE COMPONENTS



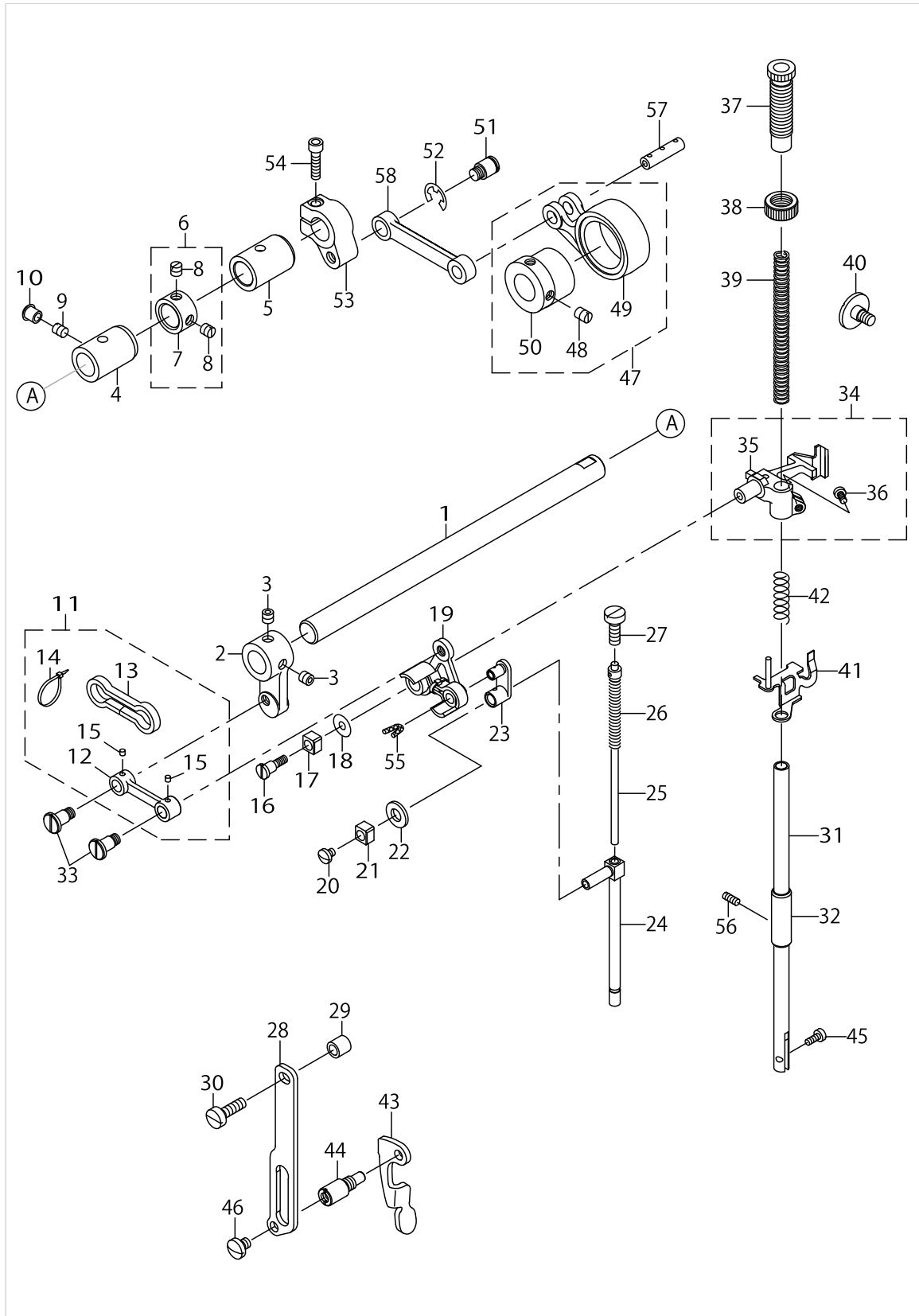
UPPER SHAFT,LOWER SHAFT DRIVING & BALANCE COMPONENTS

No.	Parts No.	Parts name	Remarks	Level	Cons	Qty
48	SS8660530TP	SCREW 1/4-40 L=4.5				2
49	21333901	SAFETY CLUTCH DISC				1
50	40038700	THRUST COLLAR ASM.				1
51	40038702	THRUST COLLAR		*		1
52	SS8661030SP	SCREW 1/4-40 L=10		*		2
53	SB120000200	BEARING 20X42		*		1
54	SS7120760SP	SCREW 3/16-28 L=7.0				2
55	40016148	THRUST COLLAR B WASHER				1
56	22606206	SPACER Y				1
57	40170679	FLYWHEEL ASM.				1
58	40165979	FLYWHEEL		*		1
59	SS8150822TP	SCREW 15/64-28 L=8		*		2
60	M40071100AA	MAGNET FITTING BASE A ASM.		*		1
61	M40071100AB	MAGNET FITTING BASE B ASM.		*		1
62	WP0450801SD	WASHER 4.5X10X0.8		*		2
63	SS6111210SP	SCREW 11/64-40 L=12		*		2
64	TA0750704R0	RUBBER PLUG				1
65	40038692	UPPER SPROCKET				1
66	SS6661110SP	SCREW 1/4-40 L=11				2
67	22604300	TIMING BELT			☆	1

NEEDLE BAR ROCKING COMPONENTS

No.	Parts No.	Parts name	Remarks	Level	Cons	Qty
1	B1420563000	NEEDLE BAR FRAME				1
2	21405204	HINGE STUD				1
3	21338504	NEEDLE BAR THREAD RACK			☆	1
4	CQ202000000	OIL WICK				0.05
5	SS8151150TP	SCREW 15/64-28 L=10.5				1
6	B1437051000	OIL WICK RETAINER				1
7	21387402	FELT				1
8	B1411053000	NEEDLE BAR CONNECTION				1
9	SS7090910SP	SCREW 9/64-40 L=8.5				1
10	B1412051000	FELT				1
11	22814909	FELT				1
12	SS7080510TP	SCREW 1/8-44 L=4.5			☆	1
13	M13517B1200	NEEDLE 135X17 #120			☆	1
14	B1467563000	UPPER FEED BAR GUIDE				1
15	SS7110910TP	SCREW 11/64-40 L=8.5				2
16	21388400	ROCKING BASE GUIDE				1
17	SS7110830SP	SCREW 11/64-40 L=7.5				2
18	21338603	ROCKING BASE GUIDE (B)				1
19	SS6091022TP	SCREW				2
20	21338801	ROCKING FRONT ARM				1
21	SM8080802TP	SCREW				2
22	21338900	ROCKING SHAFT				1
23	B1414232000	SQUARE BLOCK				1
24	B1410771000	STUD				1
25	21339304	ROCKING SHAFT FRONT METAL				1
26	40027746	BUSHING REAR				1
27	21339056	ROCKING REAR ARM ASM.				1
28	21339007	ROCKING REAR ARM		*		1
29	SS6152440SP	SCREW 15/64-28 L=23.5		*		1
30	21347406	ROCKING REAR ARM FELT		*		1
31	EA9500B0100	CABLE BAND		*		2
32	40162282	NEEDLE_BAR				1

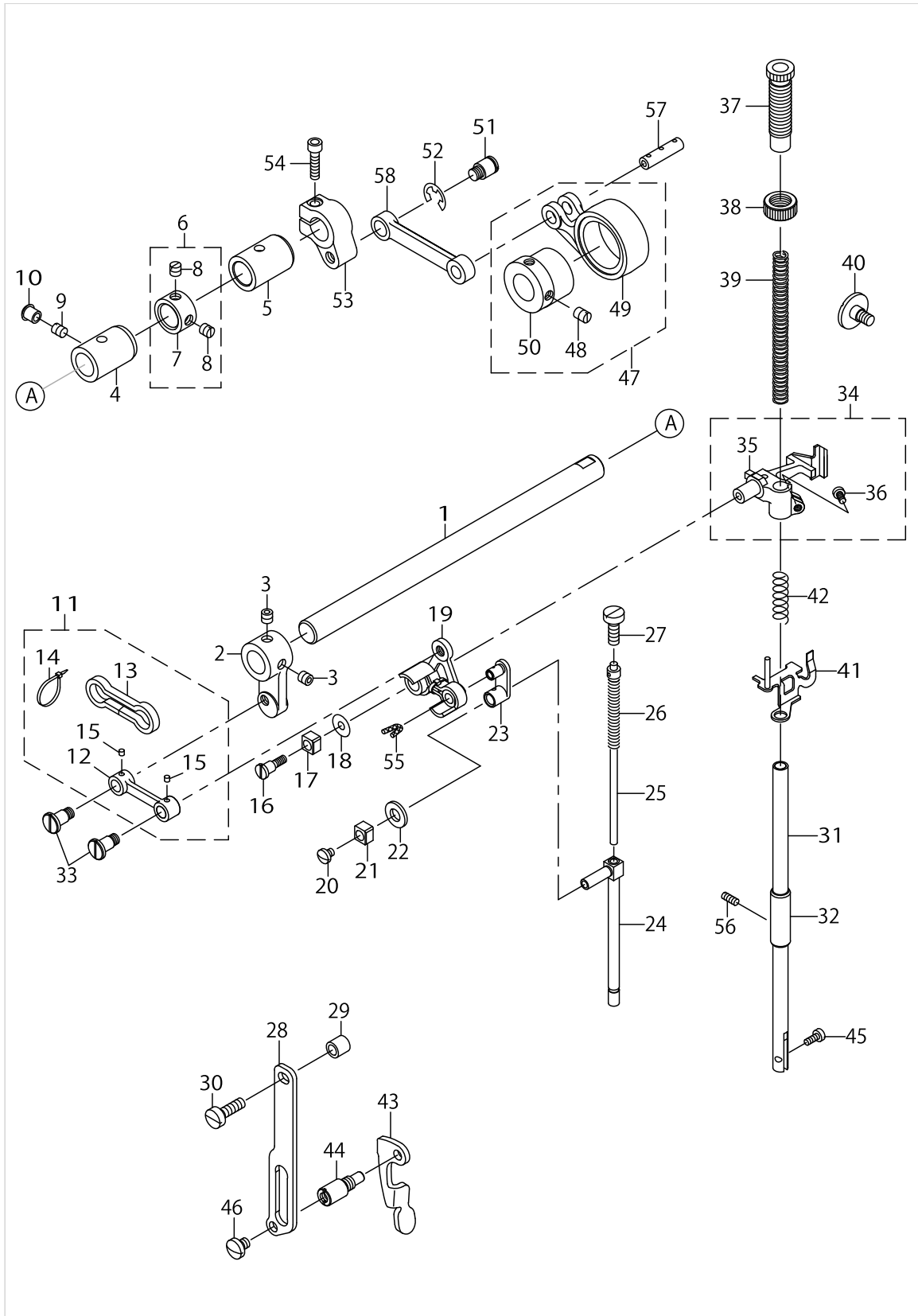
PRESSURE ADJUSTING & UPPER FEED MECHANISM COMPONENTS (1)



PRESSURE ADJUSTING & UPPER FEED MECHANISM COMPONENTS (1)

No.	Parts No.	Parts name	Remarks	Level	Cons	Qty
1	21340401	UPPER FEED SHAFT				1
2	21340500	UPPER FEED FRONT ARM				1
3	SS8660612TP	SCREW 1/4-40 L=6				2
4	40039326	FRONT METAL				1
5	21378302	FEED ROCK SHAFT METAL				1
6	22904155	MAIN SHAFT THRUST COLLAR ASM.				1
7	22904106	MAIN SHAFT THRUST COLLAR		*		1
8	SS8660610TP	SCREW 1/4-40 L=6		*		2
9	SS8150710TP	SCREW 15/64-28 L=7				1
10	TA0750704R0	RUBBER PLUG				1
11	40033027	UPPER FEED LINK ASM.				1
12	40033026	UPPER FEED LINK		*		1
13	21347109	FELT		*		1
14	EA9500B0000	CABLE BAND		*		2
15	CQ3000000F0	OIL FELT		*		0.0028
16	40018339	SCREW				1
17	B1414555000	SLIDE BLOCK				1
18	WP0501046SC	WASHER 5X13X1				1
19	40033029	TRIANGULAR LEVER ASM.				1
20	SS7110510SP	SCREW 11/64-40 L=5				1
21	B1414555000	SLIDE BLOCK				1
22	10509701	FELT				1
23	40018341	WALKING BAR DRIVING LINK				1
24	40033030	WALKING BAR A				1
25	B14670530A0	WALKING BAR ASM.				1
26	B1468053000	WALKING BAR SPRING				1
27	SS6151780SP	SCREW 15/64-28 L=17.0				1
28	21406509	UPPER FEED GUIDE PLATE				1
29	26225201	ROLLER				1
30	SS6151920SP	SCREW 15/64-28 L=19.0				1
31	B1501241H00	PRESSER BAR				1
32	B1510155000	PRESSER BAR LOWER BUSHING				1
33	40018340	SCREW				2
34	40033032	PRESSER BAR HOLDER A ASM.				1
35	40033031	PRESSER BAR HOLDER A		*		1
36	SS7110910TP	SCREW 11/64-40 L=8.5		*		1
37	21340906	PRESSER ADJUSTING SCREW				1
38	22907604	PRESSER SPRING REGULATOR NUT				1
39	B1502246000	PRESSER SPRING				1
40	SD0800481SP	HINGE SCREW D=8 H=4.9				1
41	21341151	THREAD RELEASE HOLDING PLATE				1
42	B1462053000	THREAD RELEASE SPRING				1
43	21406103	PRESSER LIFTER LEVER				1
44	21406608	GUIDE PLATE SPACER				1
45	SS6090910TP	SCREW 9/64-40 L=9				1
46	SS7150740SP	SCREW 15/64-28 L=7				1
47	40075553	ECCENTRIC ROD(SET)				1

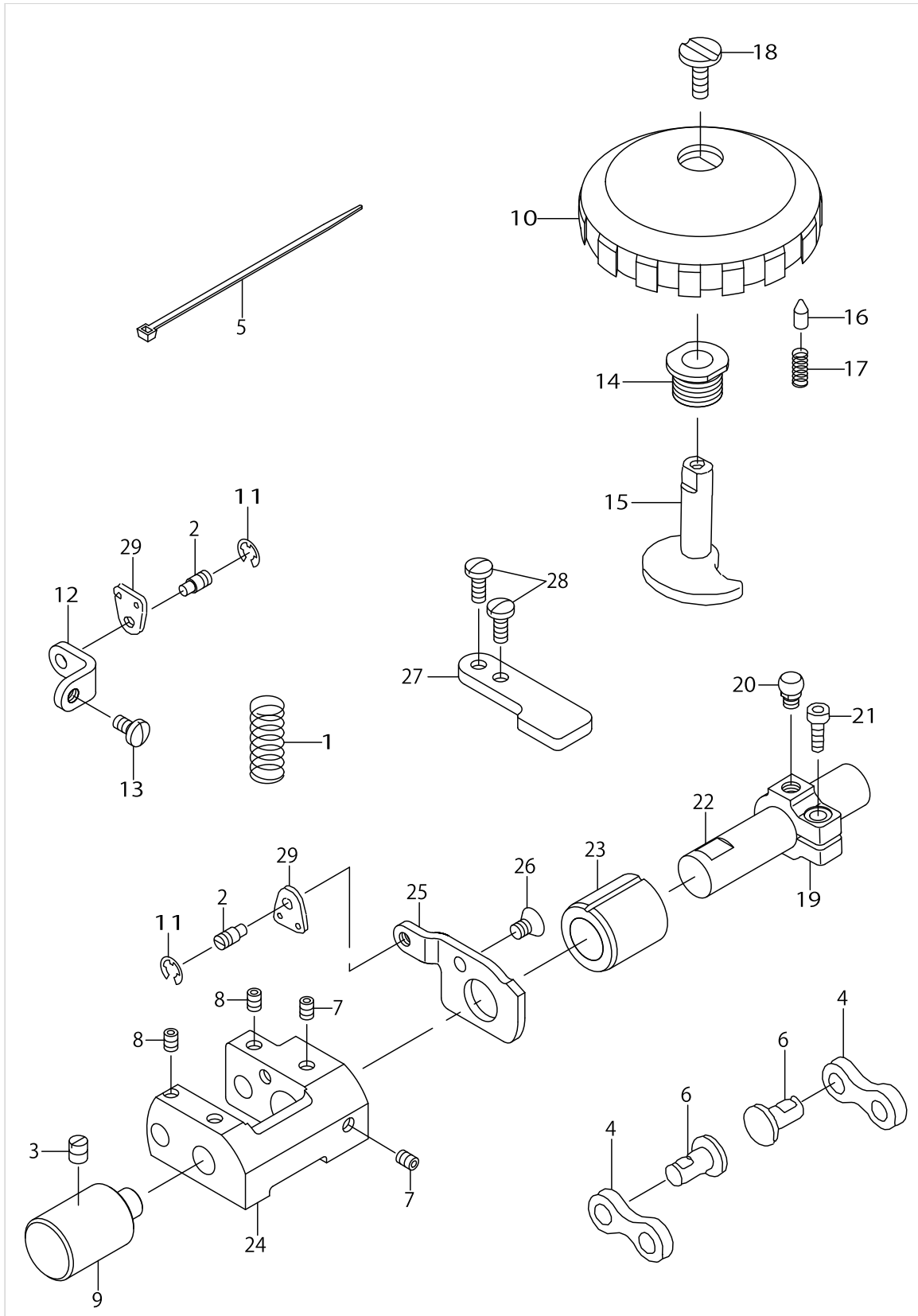
PRESSURE ADJUSTING & UPPER FEED MECHANISM COMPONENTS (1)



PRESSURE ADJUSTING & UPPER FEED MECHANISM COMPONENTS (1)

No.	Parts No.	Parts name	Remarks	Level	Cons	Qty
48	SS8660810TP	SCREW 1/4-40 L=8		*		2
49	10713758	UPPER FEED CAM ROD ASM.		*		1
50	10713600	UPPER FEED CUM		*		1
51	21048707	HINGE SCREW				1
52	RE0800000K0	E-SHAPED SNAP RING (8MM)				1
53	21340302	UPPER FEED REAR ARM (B)				1
54	SM6052002TP	SCREW M5 L=20				1
55	CQ252000000	OIL WICK				0.02
56	SS8111010TP	SCREW 11/64-40 L=9.5				1
57	10713808	CONNECTION LINK PIN B				1
58	21340005	UPPER FEED LINK (B)				1

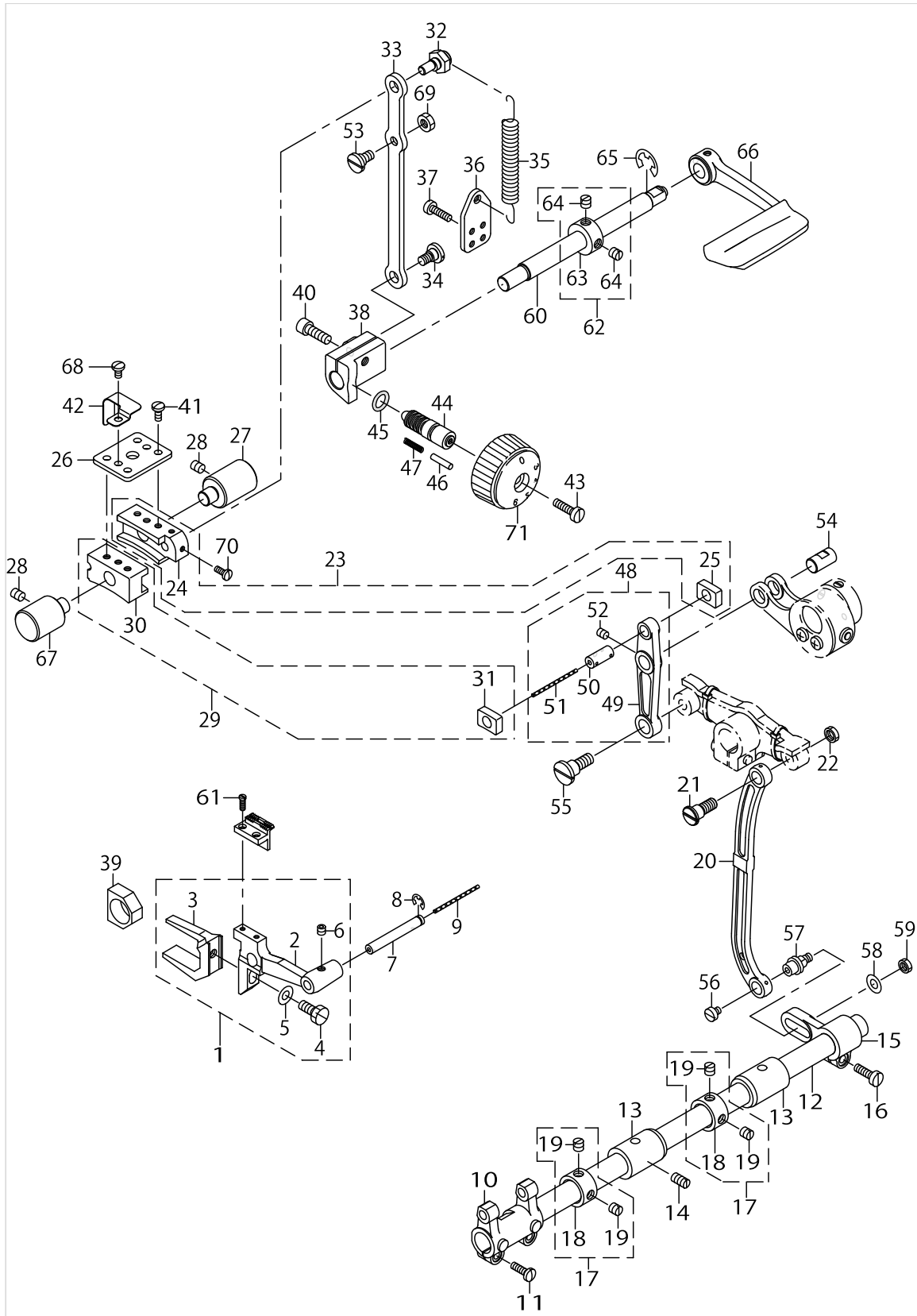
PRESSURE ADJUSTING & UPPER FEED MECHANISM COMPONENTS (2)



PRESSURE ADJUSTING & UPPER FEED MECHANISM COMPONENTS (2)

No.	Parts No.	Parts name	Remarks	Level	Cons	Qty
1	10716504	VERTICAL SHAFT SPRING				1
2	B3416552000	CONNECTING ROD HINGE SCREW				2
3	SS8150710SP	SCREW 15/64-28 L=7				1
4	40107949	CONNECTION LINK B				2
5	EA9500B0100	CABLE BAND				1
6	10714608	CONNECTION LINK B SUPPORT PIN				2
7	SM8050602TP	SCREW M5 L=6				2
8	SM8050602TP	SCREW M5 L=6				2
9	21337803	FEED ADJUSTING BASE SUPPORT				1
10	10774305	VERTICAL DIAL				1
11	RE0500000K0	E-RING				2
12	21339809	UPPER FEED DOG SPRING HOOK				1
13	SS7110830SP	SCREW 11/64-40 L=7.5				1
14	10715100	VERTICAL DIAL SHAFT BUSHING				1
15	40108542	VERTICAL ADJUSTING CAM				1
16	10715704	VERTICAL DIAL PIN				1
17	B152652700G	SPRING				1
18	SS6110630TP	SCREW 11/64-40 L=6				1
19	21341607	VERTICAL ADJUSTING ARM				1
20	10715308	PIN				1
21	SM6051402TP	SCREW M5X0.8 L=14				1
22	21341508	VERTICAL CHANGE BASE SHAFT				1
23	10718203	FEED SHAFT FRONT METAL				1
24	10714202	VERTICAL CHANGE BELT				1
25	21339601	UPPER FEED STOPPER PLATE (A)				1
26	SM1050801SR	SCREW M5 L=8				1
27	21339700	UPPER FEED STOPPER PLATE (B)				1
28	SS7111120TP	SCREW				2
29	10713501	SPRING HOOK				2

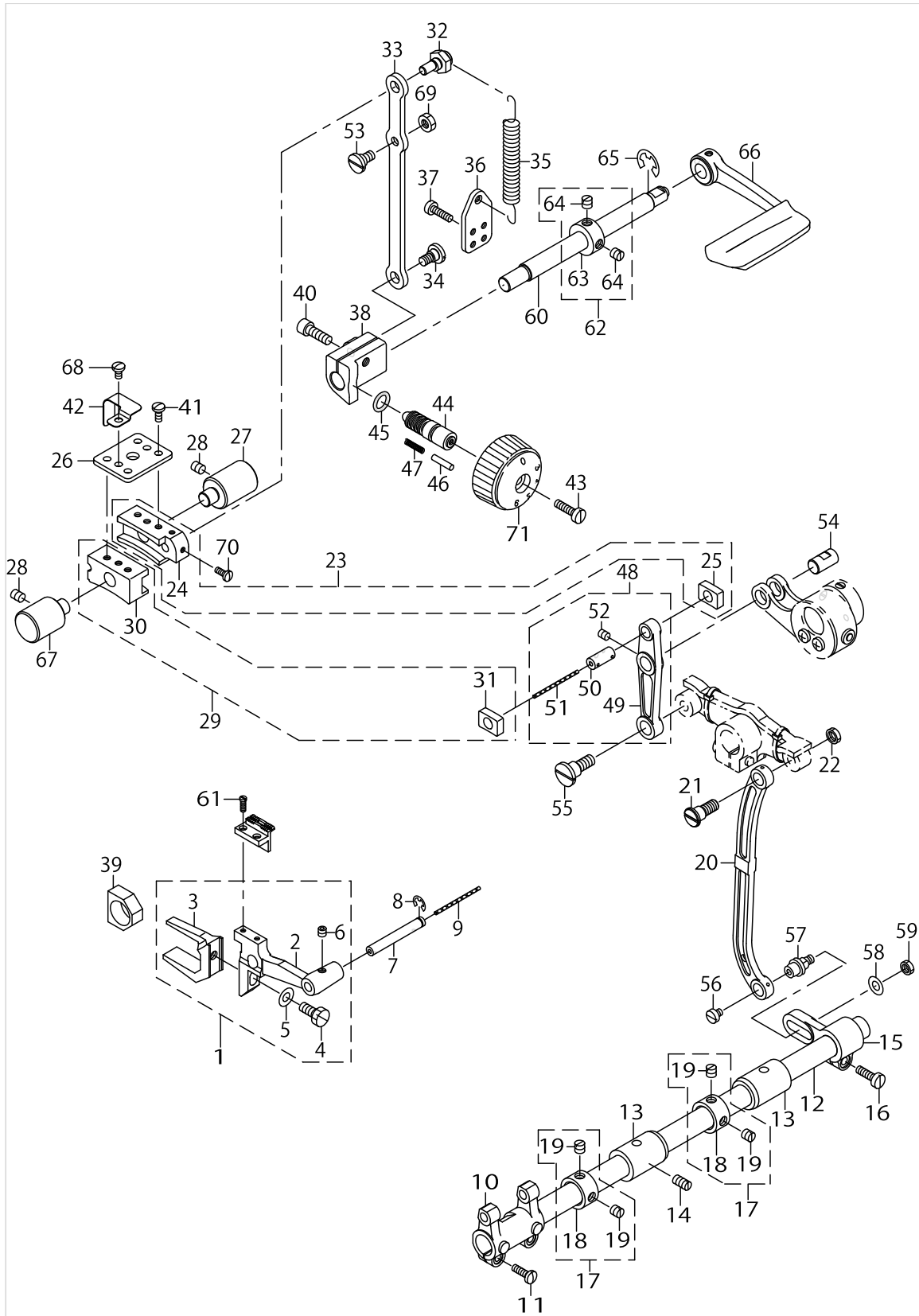
FEED MECHANISM COMPONENTS



FEED MECHANISM COMPONENTS

No.	Parts No.	Parts name	Remarks	Level	Cons	Qty
1	40104355	FEED BASE (B) ASM.				1
2	40104356	FEED BASE		*		1
3	40104357	FEED BASE FORK		*		1
4	SS9151440CP	SCREW 15/64-28 L=14		*		1
5	WP0621016SD	WASHER 6.2X13X1		*		1
6	SM8050502TP	SCREW M5 L=5		*		1
7	B1604012000A	FEED BAR SHAFT				1
8	RE0500711KP	SNAP RING 5				1
9	CQ202000000	OIL WICK				0.14
10	21364104	FEED ROCKER				1
11	SS7111410SP	SCREW 11/64-40 L=14				2
12	22609408	FEED ROCK SHAFT				1
13	21378302	FEED ROCK SHAFT METAL				2
14	SS8151150TP	SCREW 15/64-28 L=10.5				1
15	B3025141H00A	CONNECTING ARM				1
16	SS6121610TP	SCREW 3/16-28 L=15.5				1
17	22904155	MAIN SHAFT THRUST COLLAR ASM.				2
18	22904106	MAIN SHAFT THRUST COLLAR		*		1
19	SS8660610TP	SCREW 1/4-40 L=6		*		2
20	10205201	NEEDLE BAR FRAME ROD				1
21	SD0900701TP	HINGE SCREW D=9 H=7				1
22	NS6680320SP	NUT 9/32-28				1
23	40081970	FEED ADJUSTING BASE				1
24	21407200	FEED ADJUSTING BASE		*		1
25	21407309	SQUARE BLOCK		*		1
26	21407408	FITTING PLATE				1
27	21337803	FEED ADJUSTING BASE SUPPORT				1
28	SS8150822TP	SCREW 15/64-28 L=8				2
29	40081969	FEED ADJUSTING BASE B SET				1
30	40038711	FEED ADJUSTING BASE B		*		1
31	21407309	SQUARE BLOCK		*		1
32	21337902	ECCENTRIC PIN				1
33	21337308	FEED ADJUSTING ROD				1
34	SD0800402TP	HINGE SCREW D=8 H=4				1
35	21337605	SPRING				1
36	40019926	SPRING HOOK				1
37	SS6111610SP	SCREW 11/64-40 L=16				2
38	21337209	FEED ADJUSTING A				1
39	B1610512000	FEED DRIVING SLIDE BLOCK				1
40	SM6061802TP	SCREW M6 L=18				1
41	SS7110910TP	SCREW 11/64-40 L= 8.5				4
42	40038712	FELT HOLDER				1
43	SS6121860SP	SCREW 3/16-28 L=18				1
44	22911804	FEED REGULATOR SCREW				1
45	RO092270200	RUBBER RING				1
46	22912000	FEED REGULATOR PIN				1
47	22912109	FEED REGULATOR PIN SPRING				1

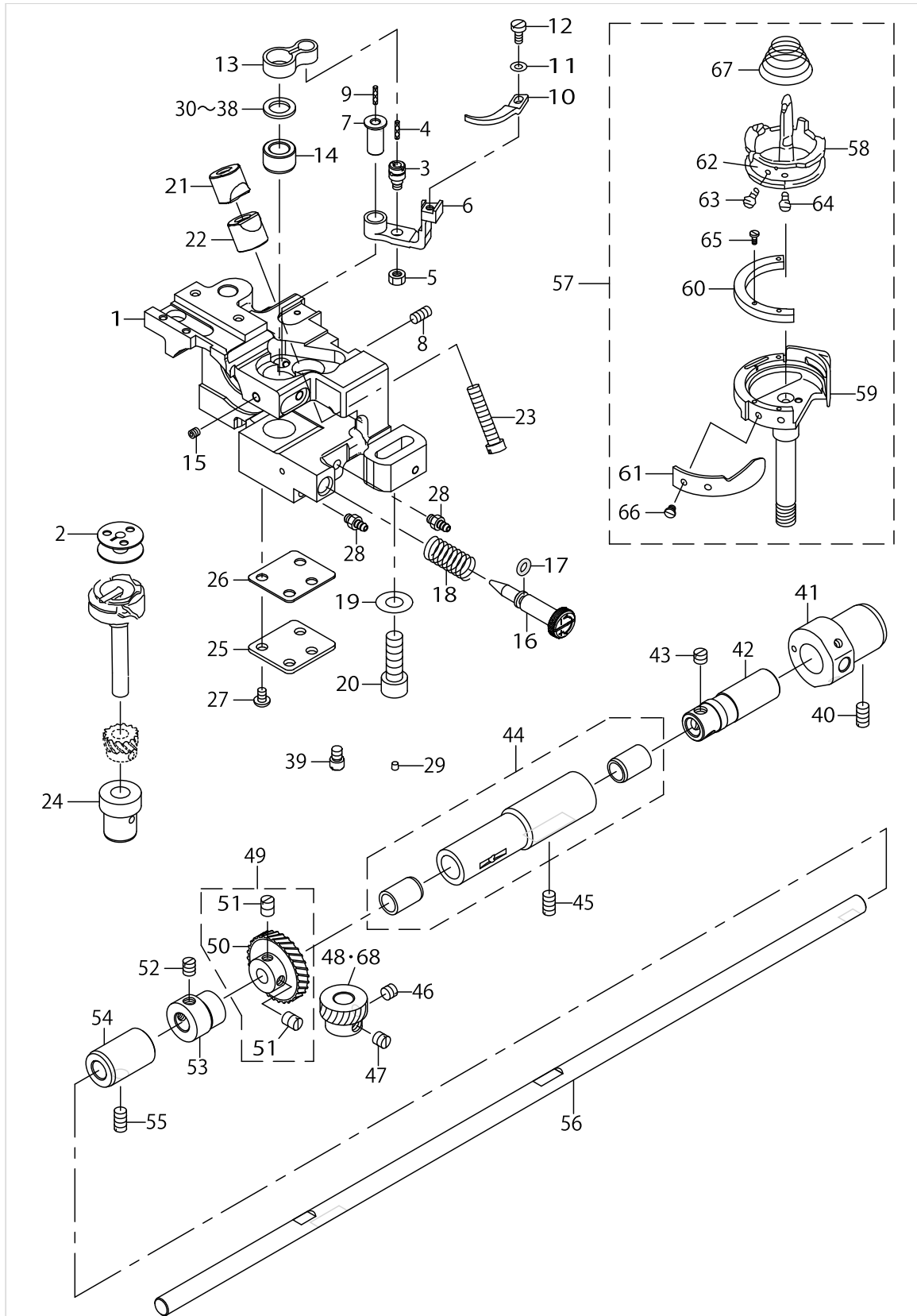
FEED MECHANISM COMPONENTS



FEED MECHANISM COMPONENTS

No.	Parts No.	Parts name	Remarks	Level	Cons	Qty
48	21336656	FEED LINK ASM.				1
49	21336607	FEED LINK		*		1
50	40009103	CONNECTING FORKED LINK PIN		*		1
51	CQ202000000	OIL WICK		*		0.04
52	SM8050612TP	SCREW M5X6		*		1
53	SD0800402TP	HINGE SCREW D=8 H=4				1
54	21378906	FEED LINK PIN				1
55	SD1000801SH	HINGE SCREW D=10 H=8				1
56	SS6110520TP	SCREW 11/64-40 L=4.5				1
57	40108541	FEED ROCK SHAFT HINGE SCREW				1
58	WP0650876SD	WASHER 6.5X13X0.8				1
59	NS6150310SP	NUT 15/64-28				1
60	21336300	BACKWARD FEED LEVER SHAFT				1
61	B1611055000	SCREW FEED ROCK SHAFT				2
62	CS1201010SH	THRUST COLLAR ASM. D=12 W=10				1
63	CS1201011SH	THRUST COLLAR D=12 W=10		*		1
64	SS8660610TP	SCREW 1/4-40 L=6		*		2
65	RE0900000K0	E-RING 9				1
66	21388004	REVERSE FEED ROCK SHAFT				1
67	21430400	FEED ADJUSTER SUPPORT				1
68	SS7110710SP	SCREW 11/64-40 L=7				1
69	NS6150430SP	NUT 15/64-28				1
70	SS7090910TP	SCREW 9/64-40 L=8.5				2
71	40049663	FEED DIAL(P=7) ASM.				1

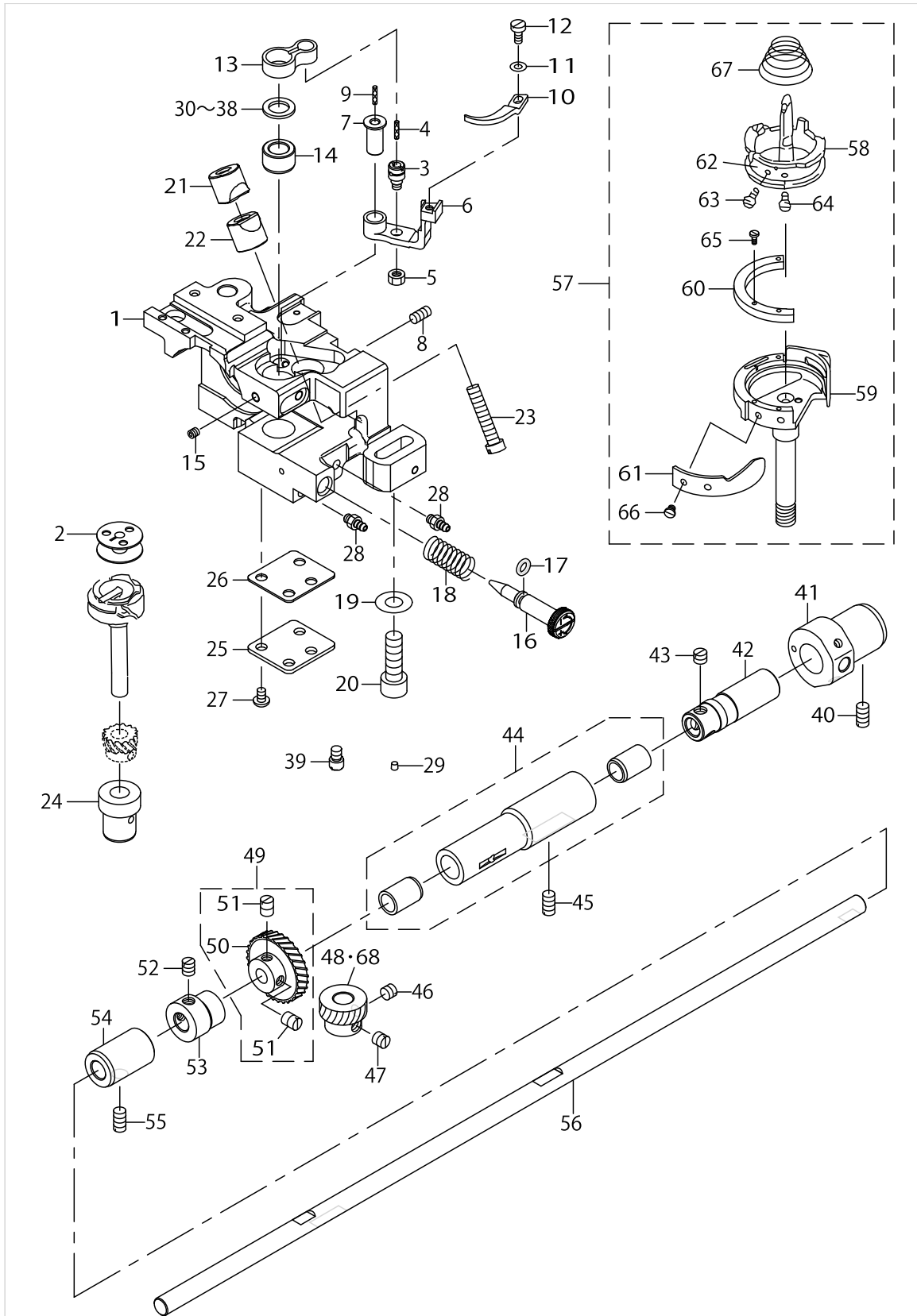
HOOK SHAFT & LOWER SHAFT COMPONENTS



HOOK SHAFT & LOWER SHAFT COMPONENTS

No.	Parts No.	Parts name	Remarks	Level	Cons	Qty
1	40162275	HOOK_SHAFT_BASE_TRIM				1
2	21334800	ALUMINUM BOBBIN WITH KNURL			☆	1
3	B1821051000	CRANK SCREW STUD				1
4	CQ202000000	OIL WICK				0.01
5	NS6110420SP	NUT 11/64-40				1
6	B1822563000	BOBBIN CASE OPENING LEVER CRANK				1
7	21335708	INNER HOOK GUIDE ARM SHAFT				1
8	SM8051002TP	SCREW M5 L=10				1
9	CQ202000000	OIL WICK				0.01
10	B1824563000	BOBBIN CASE OPENING LEVER				1
11	WP0371016SD	WASHER 3.7X8X1				1
12	SS6090810TP	SCREW 9/64-40 L=7.5				1
13	B1820563000	BOBBIN CASE OPENING LEVER LINK				1
14	21378401	HOOK SHAFT UPPER METAL				1
15	SM80506A2TP	SCREW M5 L=6				2
16	40042141	OIL_ADJUSTING_SCREW				1
17	RO044240100	RUBBER RING				1
18	40029570	OIL_ADJUSTING_SPRING				1
19	WP0621046SP	WASHER				1
20	SM6062500SP	SCREW M6 L=25				1
21	10109908	SADDLE INSTALLING BLOCK UPPER				1
22	10112407	SADDLE INSTALLING BLOCK LOWER				1
23	SS6153040SP	SCREW 15/64-28 L=30				1
24	40162279	HOOK_LOWER_BUSH				1
25	40022589	BOTTOM_COVER				1
26	40022590	BOTTOM_COVER_GASKET				1
27	SM4050855SP	SCREW				4
28	SQ2050453MZ	CONNECTING SCREW				2
29	TA0290301M0	PLUG				6
30	10109700	THRUST WASHER A	SELECTIVE PARTS			2
31	10110906	BUSHING THRUST 1.1	SELECTIVE PARTS			2
32	10111003	THRUST WASHER 1.2	SELECTIVE PARTS			2
33	10111102	THRUST WASHER 1.3	SELECTIVE PARTS			2
34	10111201	THRUST WASHER F	SELECTIVE PARTS			2
35	10109809	THRUST WASHER B	SELECTIVE PARTS			2
36	10112506	THRUST WASHER 1.6	SELECTIVE PARTS			2
37	10112605	THRUST WASHER 1.7	SELECTIVE PARTS			2
38	10112704	THRUST WASHER 1.8	SELECTIVE PARTS			2
39	40012503	KNIFE_DRIVING_ARM_PIN				1
40	SS8151150SP	SCREW 15/64-28 L=10.5				1
41	22611701	PLUNGER BUSHING B				1
42	22611909	OIL PUMP SHAFT				1
43	SS8660530TP	SCREW 1/4-40 L=4.5				3
44	B18035150A0	BUSHING ASM. INTERMEDIATE				1
45	SS8151150SP	SCREW 15/64-28 L=10.5				1
46	SS8660530TP	SCREW 1/4-40 L=4.5				1
47	SS8660670SP	SCREW 1/4-40 L=6.1				1

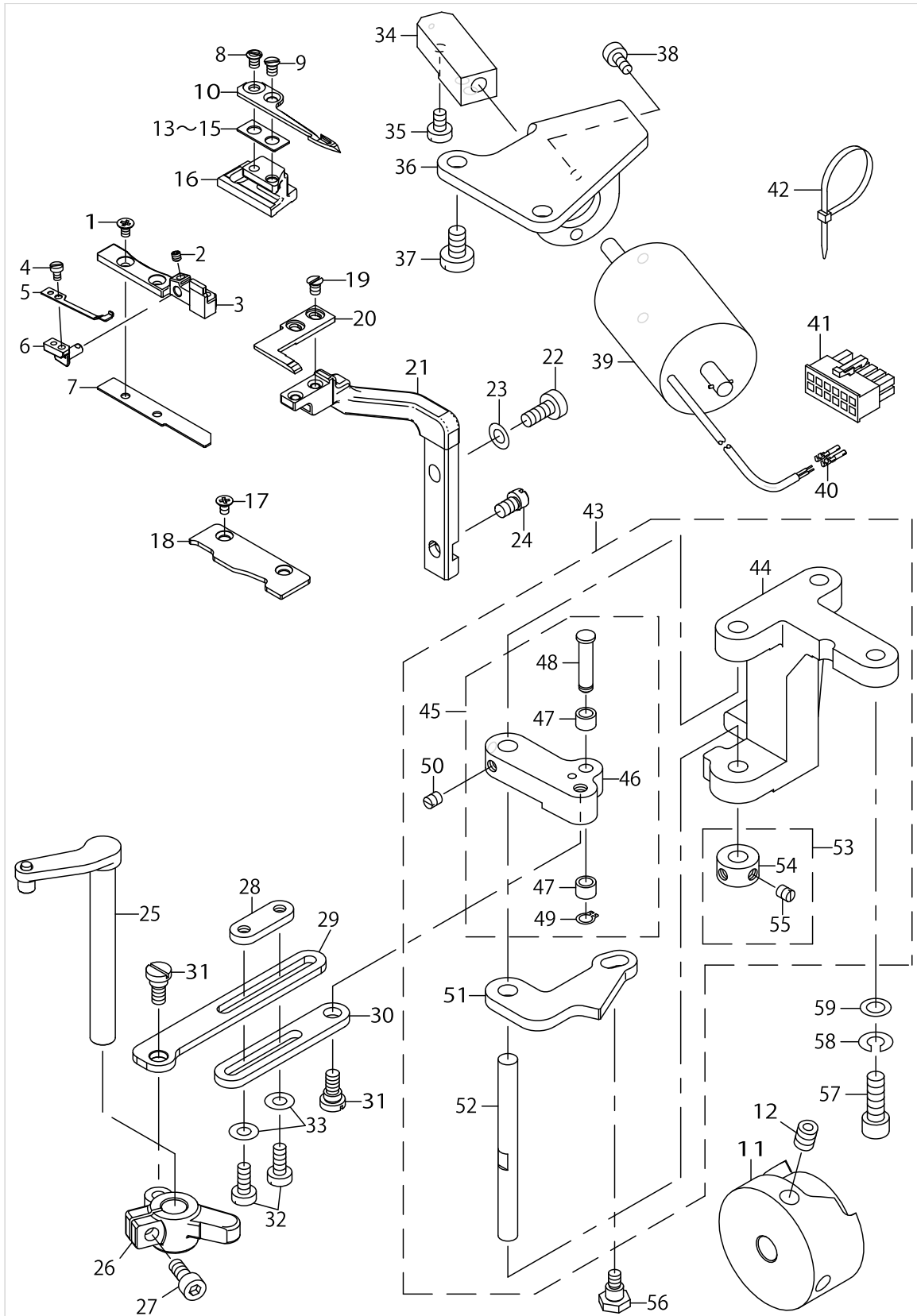
HOOK SHAFT & LOWER SHAFT COMPONENTS



HOOK SHAFT & LOWER SHAFT COMPONENTS

No.	Parts No.	Parts name	Remarks	Level	Cons	Qty
48	B1817051000	HOOK DRIVING SHAFT GEAR SMALL	SELECTIVE PARTS			1
49	40162860	HOOK DRIVING SHAFT GEAR ASM				1
50	B1816051000	HOOK DRIVING SHAFT GEAR LARGE		*		1
51	SS8660810TP	SCREW 1/4-40 L=8		*		2
52	SS8150710TP	SCREW 15/64-28 L=7				2
53	23024409	VERTICAL FEED CAM (1.5)				1
54	21427307	LOWER SHAFT METAL REAR				1
55	SS8151150SP	SCREW 15/64-28 L=10.5				1
56	21333604	LOWER SHAFT				1
57	40165974	HOOK_ASM			☆	1
58	40165975	INNER_HOOK		*		1
59	40095615	OUTER_HOOK		*		1
60	40148033	INNER_HOOK_HOLDER		*		1
61	40095617	NEEDLE_HOLDER		*		1
62	40165976	TENTION_ADJUSTING_SPRING		*		1
63	40095619	ADJUSTING_SCREW		*		1
64	40095620	TENTION_SPRING_SCREW		*		1
65	40079905	NEEDLE HOLDER SETSCREW		*		3
66	40079905	NEEDLE HOLDER SETSCREW		*		2
67	40167402	IDLING PRIVENTION SPRING		*		1
68	40042611	HOOK DRIVING SHAFT GEAR (A)	SELECTIVE PARTS			1

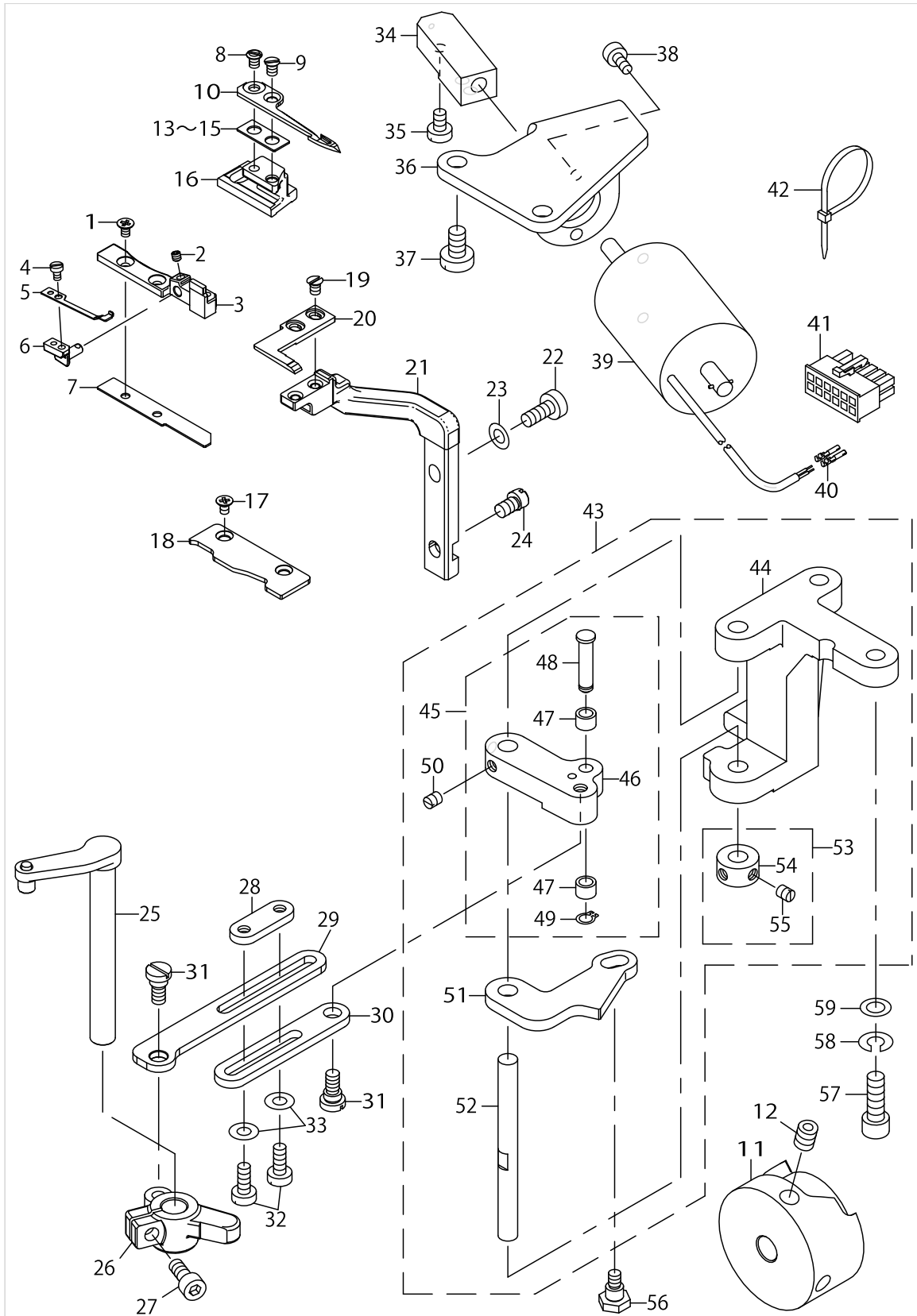
THREAD CUTTING COMPONENTS



THREAD CUTTING COMPONENTS

No.	Parts No.	Parts name	Remarks	Level	Cons	Qty
1	SM1030801SC	SCREW M3 L=8				2
2	SM8030312TP	SCREW M3 L=3				1
3	40176766	D KNIFE SUPPORT R				1
4	SM6850400SP	SCREW M2.5 L=4				1
5	40135955	CLAMP_SPRING			☆	1
6	40134967	CLAMP_SPRING_BASE				1
7	40176683	DRIVING KNIFE SUPPORT SPACER				1
8	SS6090520SP	SCREW 9/64-40 L=5.0			☆	1
9	SS1090520TP	SCREW 9/64-40 L=5			☆	1
10	40147938	DRIVING_KNIFE			☆	1
11	40162285	MOVING_KNIFE_CAM				1
12	SS8660612TP	SCREW 1/4-40 L=6				2
13	40176684	DRIVING_KNIFE_SPACER_T=0.9	SELECTIVE PARTS			1
14	40176685	DRIVING_KNIFE_SPACER_T=1.0	SELECTIVE PARTS			1
15	40147936	DRIVING_KNIFE_SPACER_T=0.8	SELECTIVE PARTS			1
16	40147937	DRIVING_KNIFE_BASE				1
17	SM1030601SA	SCREW M3 L=6				2
18	40021883	D_KNIFE_BASE_GUIDE_R_LH				1
19	SS6090620TP	SCREW			☆	2
20	40169762	FIXED KNIFE			☆	1
21	40170676	FIXED KNIFE BASE				1
22	SM6051202TP	SCREW M5X0.8 L=12				1
23	WP0531000SD	WASHER M5				1
24	40012496	FIXED_KNIFE_BASE_ADJUST				1
25	40012497	ASSY_KNIFE_BASE_SHAFT				1
26	40162278	KNIFE_DRIVING_ARM				1
27	SM6051202TP	SCREW M5X0.8 L=12				1
28	21354204	STOPPING PLATE				1
29	40162286	CONNECTING_PLATE				1
30	21354105	CONNECTING PLATE				1
31	SD0640325SP	HINGE SCREW				2
32	SS9111510SP	SCREW 11/64-40 L=15				2
33	WP0501016SD	WASHER 5X10.5X1				2
34	21354709	SOLENOID CONNECTING PLATE				1
35	SS6110710TP	SCREW 11/64-40 L=6.5				2
36	21354600	SOLENOID FITTING PLATE				1
37	SS6151040SP	SCREW 15/64-28 L=10				2
38	SM6040802TP	SCREW M4X0.7 L=8				2
39	21355102	THREAD CUTTING SOLENOID				1
40	HK03464000A	TERMINAL FEMALE				2
41	HK034610120	CONNECTOR				1
42	EA9500B0100	CABLE BAND				1
43	21353750	VERTICAL FITTING BASIS ASM.				1
44	21353701	VERTICAL FITTING BASIS		*		1
45	40119279	THREAD CUTTING ROLLER ARM ASM.		*		1
46	40104368	THREAD CUTTING ROLLER ARM		*		1
47	D2427555B00B	CAM ROLLER		*		1

THREAD CUTTING COMPONENTS



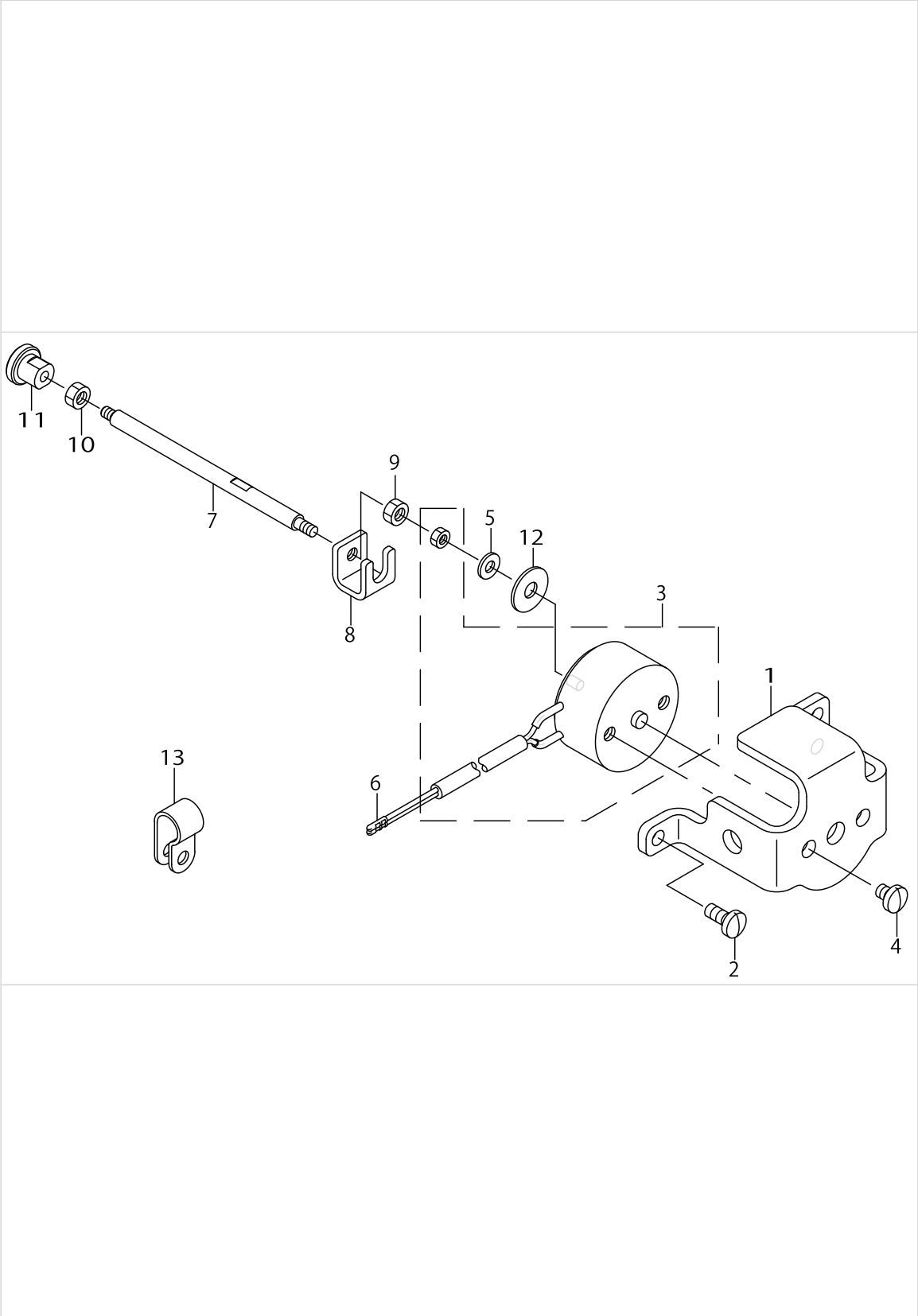
THREAD CUTTING COMPONENTS

No.	Parts No.	Parts name	Remarks	Level	Cons	Qty
48	40104369	CAM ROLLER SHAFT		*		1
49	D2430555B00	SNAP RING		*		1
50	SS8110510SP	SCREW 11/64-40 L=5		*		2
51	21354006	THREAD CUTTING DRIVING PLATE		*		1
52	10116804	SHAFT		*		1
53	CS070081BSH	THRUST COLLAR ASM. D=7 W=8		*		1
54	CS0700811SH	THRUST COLLAR D=7 W=8		*		1
55	SS8110510SP	SCREW 11/64-40 L=5		*		2
56	SD0640482SP	HINGE SCREW D=6.35 H=4.8				1
57	SS6151812TP	SCREW 15/64-28 L=18				2
58	WS0610002KP	SPRING WASHER				2
59	WP0651056SD	WASHER 6.5X11X1				2

AUTOMATIC BACK & CONDENSE COMPONENTS

No.	Parts No.	Parts name	Remarks	Level	Cons	Qty
1	40039608	WINDOW PLATE G ASM.				1
2	PA320150200	JIG CYLINDER		*		1
3	PA320100300	JIG CYLINDER		*		1
4	21398409	CYLINDER FITTING BASE		*		1
5	21349105	CYLINDER PACKING		*		3
6	SM6061602TP	SCREW M6 L=16		*		2
7	WP0641601SD	WASHER M6		*		2
8	SM6061002TP	SCREW M6 L=10		*		2
9	WP0641601SD	WASHER M6		*		2
10	SM6043552TN	SCREW M4 L=35		*		2
11	21348602	CYLINDER CONNECTING SCREW		*		1
12	NM6060003SC	NUT M6		*		1
13	21398508	SCREW		*		1
14	NM6080003SC	NUT M8		*		1
15	21348503	FITTING BASE		*		1
16	SS7151210SP	SCREW 15/64-28 L=12		*		2
17	21398300	LINK		*		1
18	SD0800352SP	HINGE SCREW D=8 H=3.5		*		2
19	PJ301065104	HALF UNION		*		1
20	PJ304065101	ELBOW UNION 6XPT1/8		*		1
21	PX015101000	MUFFLER		*		2
22	HX002950000	WIRE MARK(1)		*		1
23	HX00295000D	WIRE MARK(5)		*		1
24	21392907	WIDOW PLATE G		*		1
25	40023289	SPRING SUSPENSION				1
26	26226209	SPRING				1
27	SS4120615SP	SCREW 3/16-28 L=6				1
28	22656003	SPRING SUSPENSION				1
29	22656102	REVERSE FEED LINK (1)				1
30	SS7120760SP	SCREW 3/16-28 L=7.0				1
31	22952501	BACK LEVER STOPPER				1
32	SS7111810SP	SCREW 11/64-40 L=18				1
33	40056366	BT SWITCH C ASM.				1
34	40056365	BT SWITCH B ASM.		*		1
35	EA9500B0100	CABLE BAND		*		1
36	GTS01037000	CONNECTOR COVER		*		1
37	40056364	BT SWITCH A ASM.		*		1
38	21388608	CABLE BAND		*		1
39	HK03464000A	TERMINAL FEMALE		*		2
40	WP0501016SD	WASHER 5X10.5X1				2
41	SS7110840SP	SCREW 11/64-40 L=7.8				2

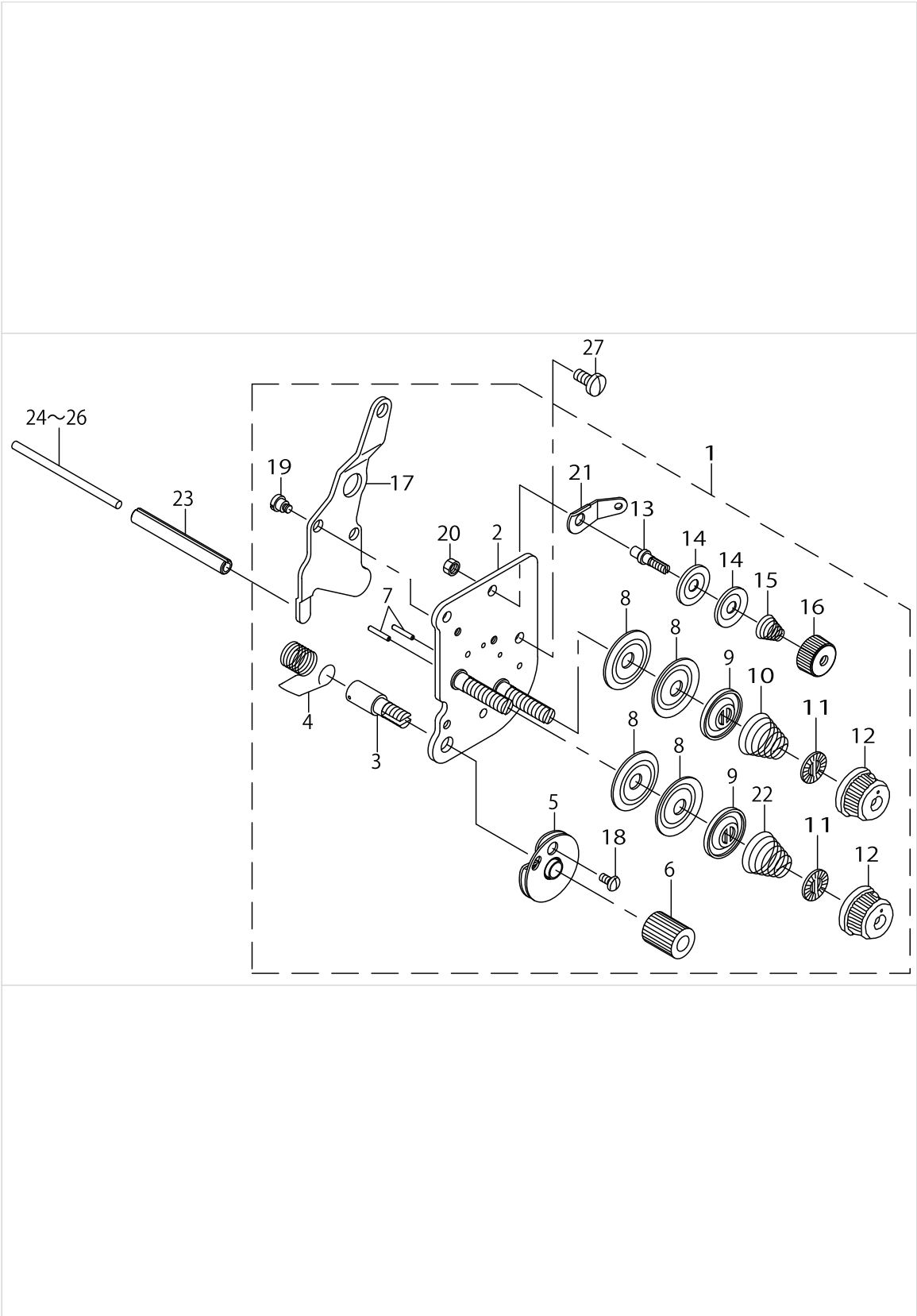
THREAD RELEASE COMPONENTS



THREAD RELEASE COMPONENTS

No.	Parts No.	Parts name	Remarks	Level	Cons	Qty
1	21441407	SOLENOID INSTALLING PLATE				1
2	SS7110910TP	SCREW 11/64-40 L=8.5				2
3	21363106	TENSION RELEASE SOLENOID				1
4	SS7110570SP	SCREW 11/64-40 L=4.8				2
5	40062388	WASHER				1
6	HK03464000B	PIN CONTACT				2
7	21441209	TENSION RELEASE BAR				1
8	21441308	COUPLING				1
9	NM6040001SN	NUT M4X0.7				1
10	NM6040001SN	NUT M4X0.7				1
11	40165973	PUSH_BUTTON				1
12	WP0501046SC	WASHER 5X14X1				1
13	HX00123000A	CABLE CLIP				1

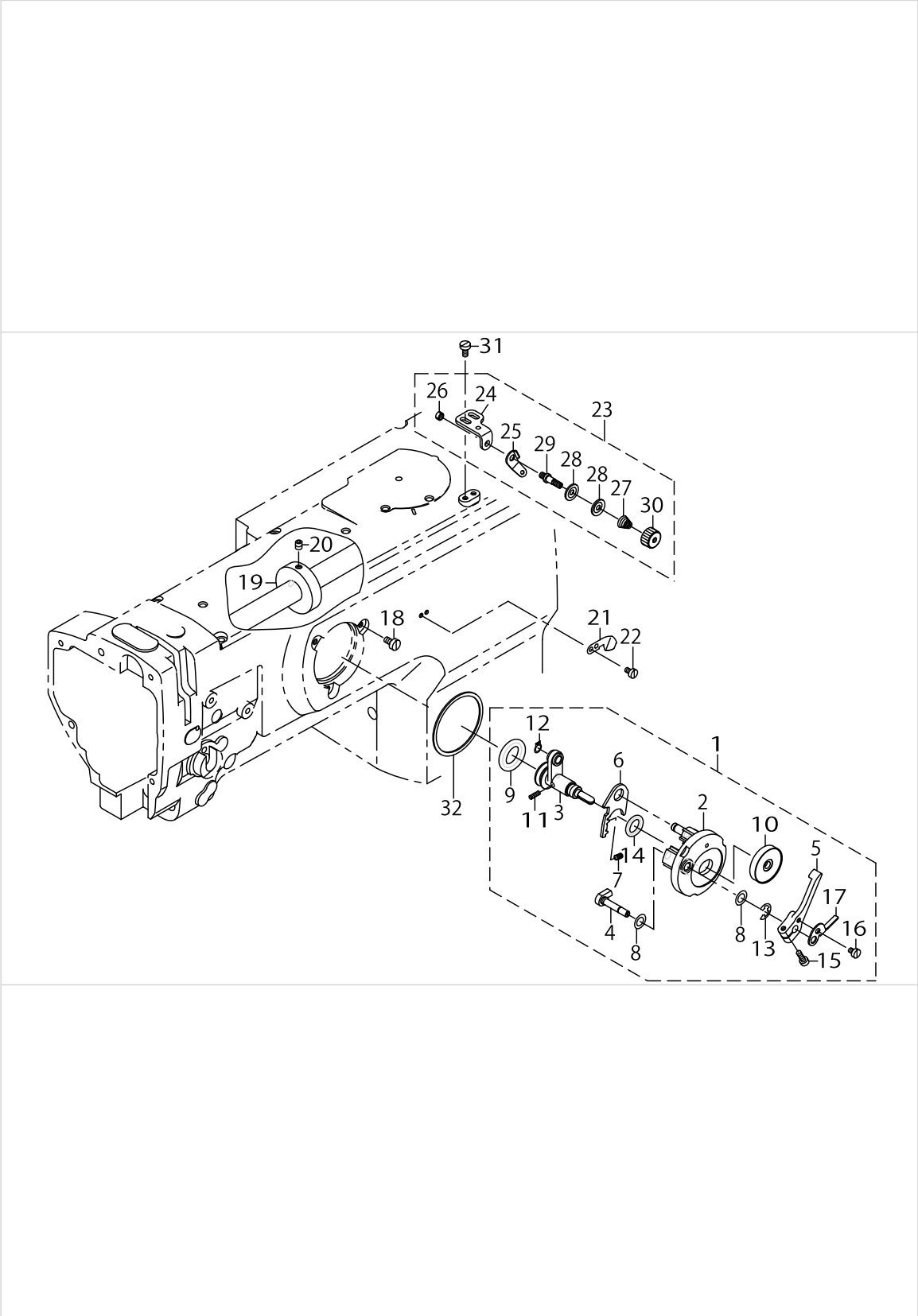
THREAD TENSION COMPONENTS



THREAD TENSION COMPONENTS

No.	Parts No.	Parts name	Remarks	Level	Cons	Qty
1	40143787	THREAD TENSION ASM.				1
2	21441050	TENSION POST COMPL.		*		1
3	10320109	SCREW STUD		*		1
4	B3128051000	THREAD TAKE-UP SPRING A		*	☆	1
5	B31375270A0	TAKE-UP SPRING GUIDE ASM.		*		1
6	10320208	THRED TENSION STUD NUT		*		1
7	22618201	TENSION RELEASE PIN A		*		2
8	13138201	THREAD TENSION DISK		*		4
9	22617906	THREAD TENSION DISK PRESSER		*		2
10	B3129526000	TENSION SPRING (1.2)		*		1
11	B3120125000	ROTATING STOPPER		*		2
12	11956802	THREAD TENSION KNOB BLUE		*		2
13	10124204	THREAD TENSION POST A		*		1
14	10741106	FIRST THREAD TENSION PLATE		*		2
15	11045101	THREAD TENSION SPRING		*		1
16	11072402	THREAD TENSION NUT		*		1
17	21441100	TENSION RELEASE PLATE		*		1
18	SS4080610SP	SCREW 1/8-44 L=6.4		*		1
19	SD0470281SP	HINGE SCREW D=4.7 H=2.8		*		2
20	NS6110310SP	NUT 11/64-40		*		1
21	D3162555B00	THREAD GUIDE		*		1
22	B3129053000	TENSION SPRING		*		1
23	PS0600502KP	SPRING PIN				1
24	21348206	TENSION RELEASE BAR	SELECTIVE PARTS			1
25	10321107	TENSION RELEASE BAR	SELECTIVE PARTS			1
26	23006406	TENSION RELEASE BAR	SELECTIVE PARTS			1
27	SS7110910TP	SCREW 11/64-40 L=8.5				2

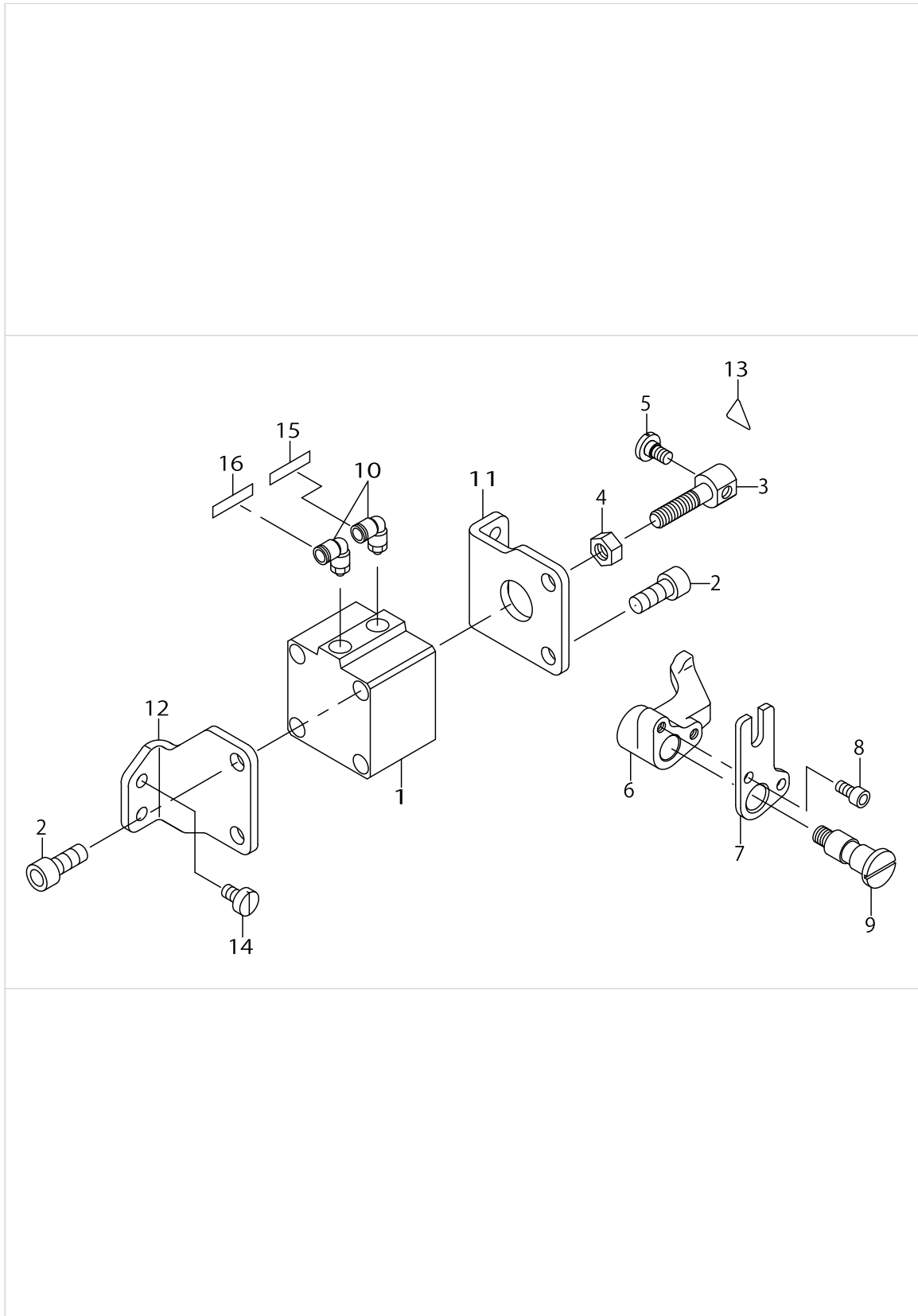
LOWER THREAD WINDER MECHANISM COMPONENTS



LOWER THREAD WINDER MECHANISM COMPONENTS

No.	Parts No.	Parts name	Remarks	Level	Cons	Qty
1	21357967	BOBBIN DEVICE ASM.				1
2	22537658	BOBBIN FITTING BASIS COMPL.		*		1
3	21357959	BOBIN SHAFT COMPL.		*		1
4	22538151	BOBBIN CAM SHAFT COMPL.		*		1
5	23636202	BOBBIN LEVER		*		1
6	21356001	ADJUSTING PLATE		*		1
7	B152989000CA	PRESSUR FOOT SPRING		*		1
8	10618304	VERTICAL ROLLER WASHER		*		2
9	21358205	RUBBER RING		*	☆	1
10	40099618	BOBBIN_SPACER		*		1
11	B1148555000	SPRING		*		1
12	RC0560711KP	RETAINING RING		*		1
13	RE0500000K0	E-RING		*		1
14	RO092270200	RUBBER RING		*		1
15	SS7091410SP	SCREW 9/64-40 L=13.5		*		1
16	SS6090520SP	SCREW 9/64-40 L=5.0		*		1
17	14512503	BOBBIN ADJUSTING PLATE		*		1
18	SS6110810TP	SCREW 11/64-40 L=8				3
19	10704807	BOBBIN FRICTION WHEEL				1
20	SM8050602TP	SCREW M5 L=6				2
21	10502300	THREAD CUTTER				1
22	SS6090620SP	SCREW 9/64-40 L=6				2
23	21355755	LOWER THREAD GUIDE ASM.				1
24	21355706	FITTING BASE		*		1
25	D3162555B00	THREAD GUIDE		*		1
26	NS6110310SP	NUT 11/64-40		*		1
27	22945505	THREAD TENSION SPRING		*		1
28	40113092	THREAD TENSION DISK		*		2
29	21378708	THREAD TENSION POST		*		1
30	22945703	THREAD TENSION NUT		*		1
31	SM6040800SP	SCREW				2
32	22538706	PACKING				1

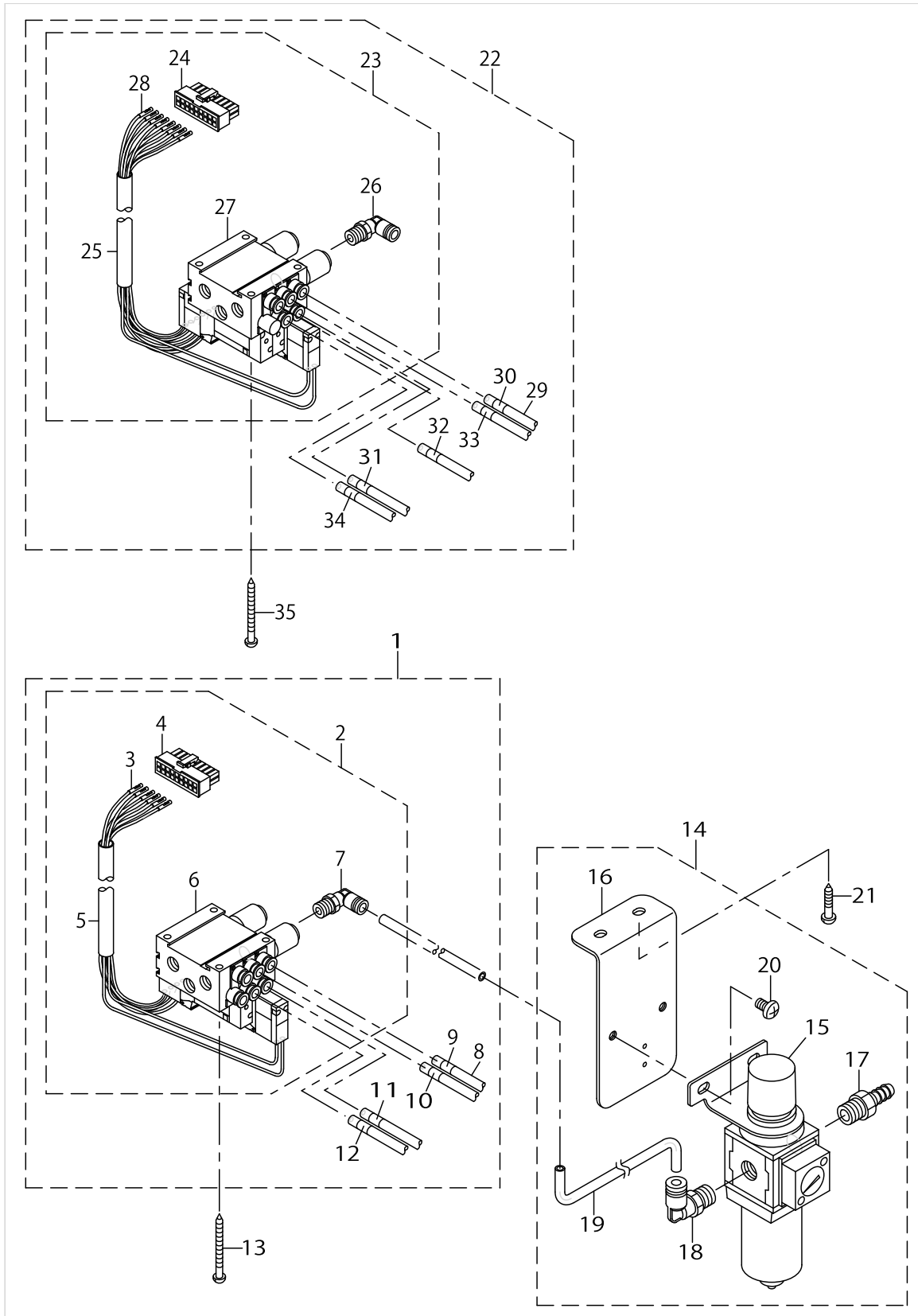
AUTOMATIC PRESSER LIFTING MECHANISM COMPONENTS



AUTOMATIC PRESSER LIFTING MECHANISM COMPONENTS

No.	Parts No.	Parts name	Remarks	Level	Cons	Qty
1	PA400150100	AIR CYLINDER				1
2	SM6082002TP	SCREW M8 L=20				4
3	21356506	CYLINDER CONNECTING SCREW				1
4	NM6080001SE	NUT M8				1
5	SD0720331SP	HINGE SCREW D=7.24 H=3.3				1
6	21388509	PRESSER LIFTER LEVER A				1
7	21356803	PRESSER LIFTER LEVER B				1
8	SM6051002TP	SCREW M5X0.8 L=10				2
9	21356704	SHAFT				1
10	PJ304065101	ELBOW UNION 6XPT1/8				2
11	21356308	CYLINDER STAY(FRONT)				1
12	21356407	CYLINDER STAY(REAR)				1
13	CM300200001	ATTENTION SEAL				1
14	SS6151040SP	SCREW 15/64-28 L=10				4
15	HX00295000A	WIRE MARK(2)				1
16	HX00295000B	WIRE MARK(3)				1

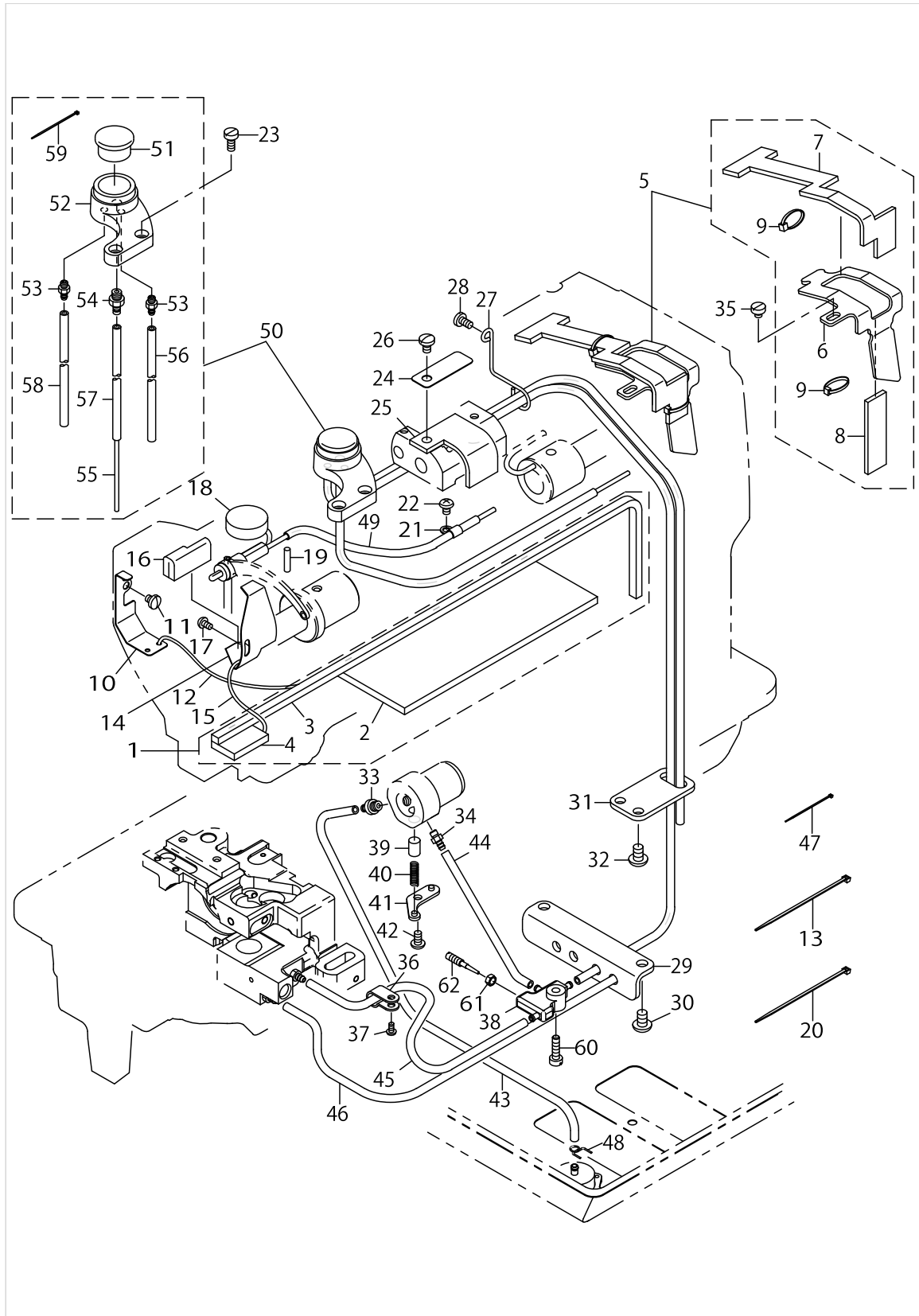
AIR MECHANISM COMPONENTS



AIR MECHANISM COMPONENTS

No.	Parts No.	Parts name	Remarks	Level	Cons	Qty
1	40166317	AIR_APPARATUS S ASM.	NO DL EQUIPMENT			1
2	40166316	ELECTRONMAGNETIC VALVE S ASM.		*		1
3	HK03464000A	TERMINAL FEMALE		*		6
4	HK034610180	CONNECTOR		*		1
5	GAKA1503000	INSULATION TUBE		*		1
6	40038908	MAGNETIC VALVE(N)		*		1
7	GAK29010000	ELBOW B		*		1
8	BT0600401EB	TUBE		*		4
9	HX002950000	WIRE MARK(1)		*		4
10	HX00295000A	WIRE MARK(2)		*		4
11	HX00295000D	WIRE MARK(5)		*		4
12	HX00295000B	WIRE MARK(3)		*		4
13	SK3385001SE	WOOD SCREW D=3.8 L=50				2
14	40038722	FILTER REGULATAR ASM.				1
15	PF0552170A0	FILTER REGULATOR		*		1
16	40038723	FILTER REGULATOR MOUNTING PLATE		*		1
17	40107618	NIPPLE		*		1
18	GAK29009000	ELBOW		*		1
19	BT0600401EB	TUBE		*		1
20	SM4061001SB	SCREW M6 L=10		*		2
21	SK3482501SE	WOOD SCREW D=4.8 L=25				2
22	40103001	AIR APPARATUS(M)ASM.	THERE DL EQUIPMENT			1
23	40103000	ELECTROMAGNETIC VALVE (M) ASM.		*		1
24	HK034610180	CONNECTOR		*		1
25	GAKA1503000	INSULATION TUBE		*		1
26	GAK29010000	ELBOW B		*		1
27	40038717	ELECTROMAGNETIC VALVE(M)		*		1
28	HK03464000A	TERMINAL FEMALE		*		8
29	BT0600401EB	TUBE		*		5
30	HX002950000	WIRE MARK(1)		*		4
31	HX00295000D	WIRE MARK(5)		*		4
32	HX00295000C	WIRE MARK(4)		*		4
33	HX00295000A	WIRE MARK(2)		*		4
34	HX00295000B	WIRE MARK(3)		*		4
35	SK3385001SE	WOOD SCREW D=3.8 L=50				1

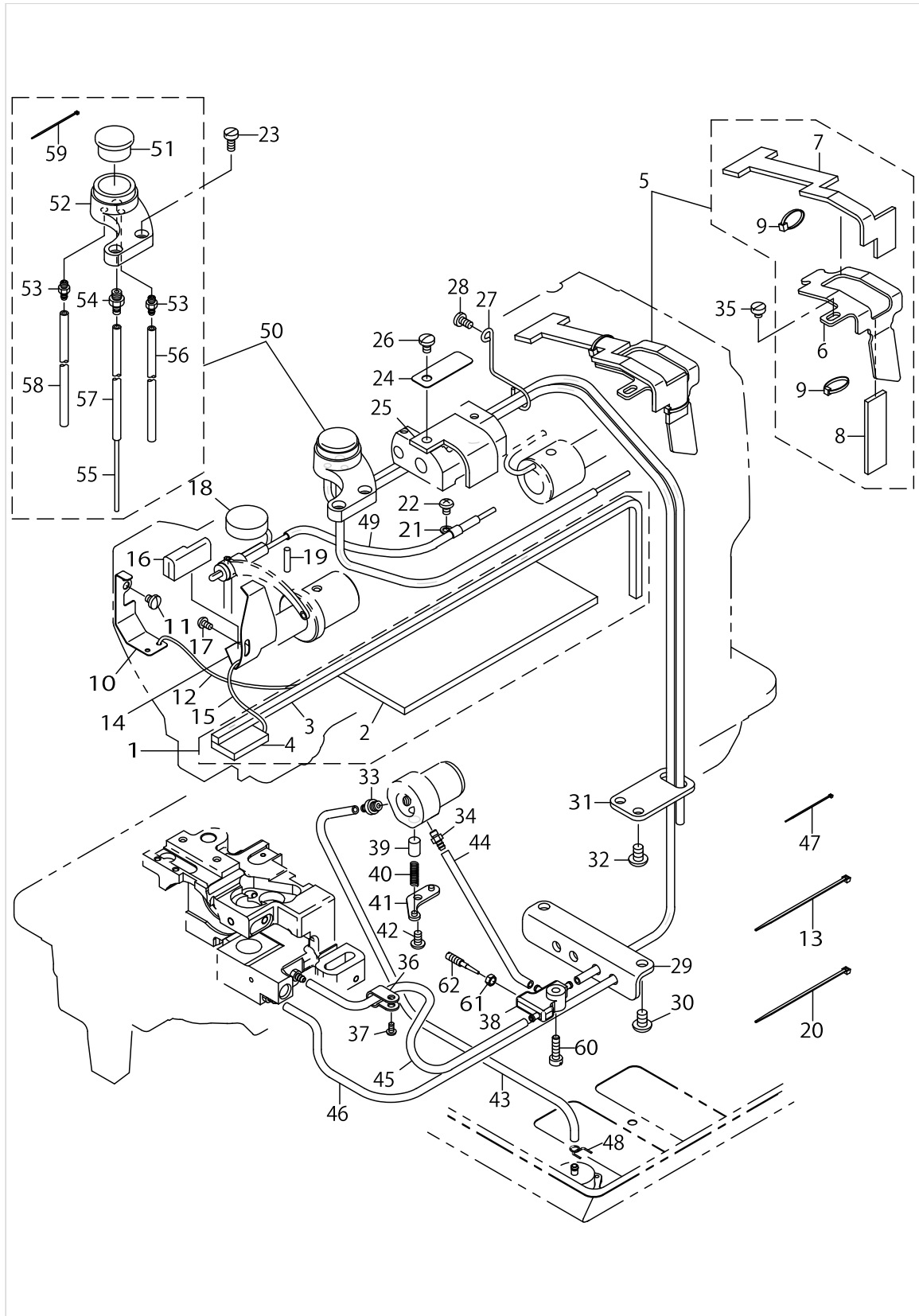
LUBRICATION COMPONENTS



LUBRICATION COMPONENTS

No.	Parts No.	Parts name	Remarks	Level	Cons	Qty
1	21345756	ARM ONCE THROUGH OIL FELT ASM.				1
2	21345707	ARM ONCE THROUGH FELT A		*		1
3	21345806	FELT B		*		1
4	21345905	FACE ONCE THROUGH FELT		*		1
5	21346358	FELT SUPPORT ASM.				1
6	21346309	FELT		*		1
7	21346507	FEED CHANGE FELT		*		1
8	21346408	FELT		*		1
9	EA9500B0000	CLIP CV-70S		*		2
10	21340708	UPPER FEED OIL BAR PLATE				1
11	SS7110510SP	SCREW 11/64-40 L=5				1
12	CQ202000000	OIL WICK				0.2
13	EA9500B0100	CABLE BAND				1
14	21347000	TAKE-UP OIL PLATE				1
15	CQ202000000	OIL WICK				0.25
16	21347208	TAKE-UP LUBRICATION FELT				1
17	SS3090610SP	SCREW 9/64-40 L=6				1
18	21346002	FELT				1
19	B1412051000	FELT				1
20	A407855000A	CLIP BAND				1
21	B3538112000	OIL RETURN TUBE HOLDER				1
22	SS4110615SP	SCREW 11/64-40 L=6				1
23	SS6111010TP	SCREW 11/64-40 L=9.5				2
24	21346101	LUBRICATION FELT PRESSER				1
25	21346200	MUTUAL VERTICAL CHANGE FELT				1
26	SS7120760SP	SCREW 3/16-28 L=7.0				1
27	21346606	PIPE SUPPORT				1
28	SS7110830SP	SCREW 11/64-40 L=7.5				1
29	21345103	LUBRICATION BRACKET				1
30	SS4150915SP	SCREW 15/64-28 L=9				2
31	21345202	OIL PIPE STAY				1
32	SS4150915SP	SCREW 15/64-28 L=9				2
33	40064409	CONNECTION SCREW ASM.				1
34	SQ1110401MZ	CONNECTING SCREW				1
35	SS6110480SP	SCREW 11/64-40 L=4.3				1
36	HX00123000A	CABLE CLIP				1
37	SM5030655SP	SCREW				1
38	40032804	BASE				1
39	B3534155000	PLUNGER				1
40	B1214038000	PLUNGER SPRING				1
41	B3524552000	PLUNGER THRUST PLATE				1
42	SS4110815SP	SCREW 11/64-40 L=8				1
43	23630007	TUBE				0.36
44	23630007	TUBE				0.13
45	23630007	TUBE				0.185
46	23630007	TUBE				0.38
47	EA9500B0100	CABLE BAND				11

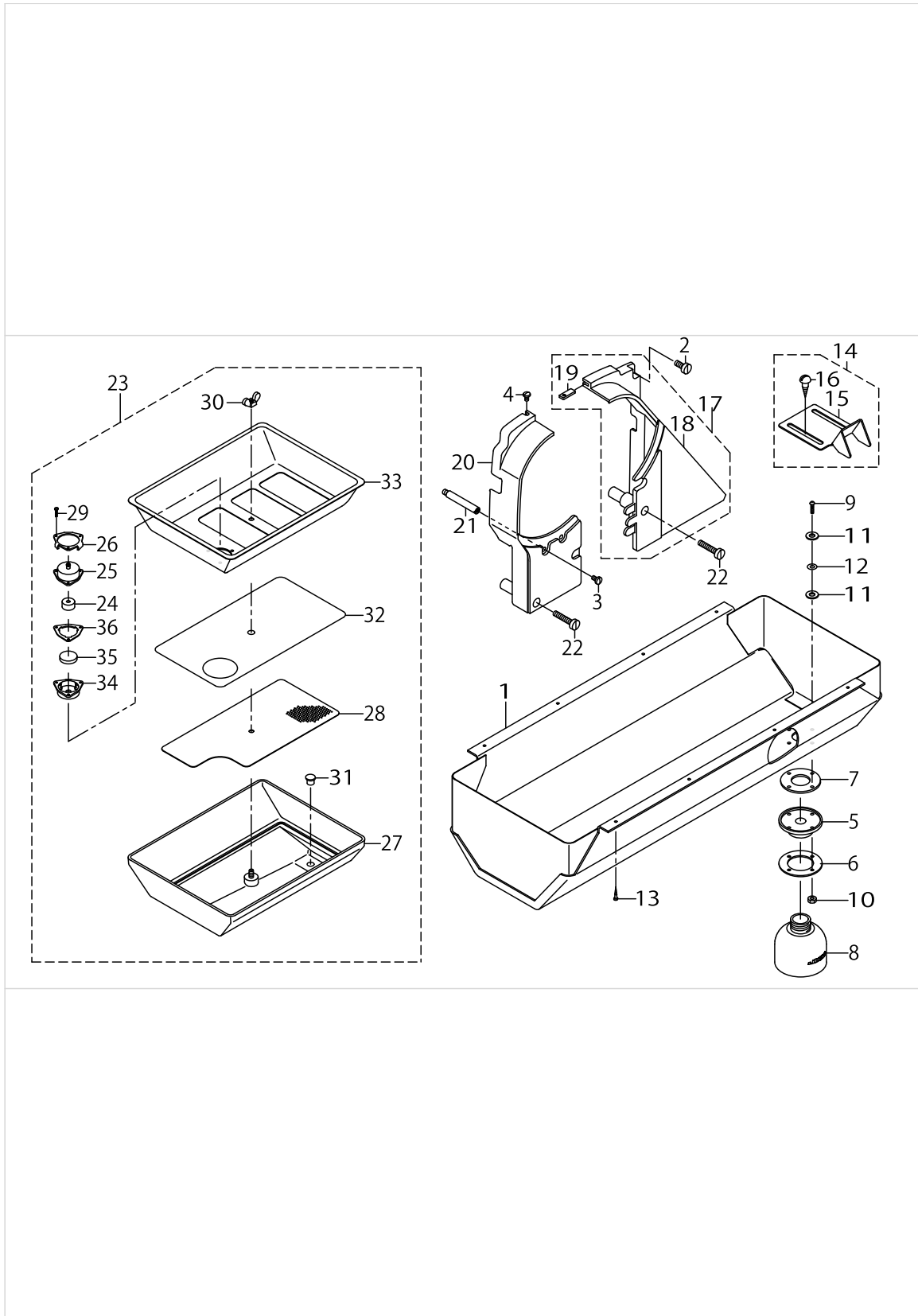
LUBRICATION COMPONENTS



LUBRICATION COMPONENTS

No.	Parts No.	Parts name	Remarks	Level	Cons	Qty
48	10126803	OIL TUBE HOLDER				1
49	BT0600402EA	OIL TUBE				0.12
50	40051503	ARM OIL TANK ASM.				1
51	B3520586000	OIL SIGHT WINDOW		*		1
52	21345608	ARM OIL TANK		*		1
53	SQ1110401MZ	CONNECTING SCREW		*		2
54	SQ1150451MZ	CONNECTING SCREW		*		1
55	CQ252000000	OIL WICK		*		0.7
56	23630007	TUBE		*		0.5
57	23630007	TUBE		*		0.2
58	23630007	TUBE		*		0.6
59	EA9500B0100	CABLE BAND		*		3
60	SS6111620SP	SCREW 11/64-40 L=16.0				1
61	NS6110310SP	NUT 11/64-40				1
62	B1834512000A	OIL ADJUSTING SCREW				1

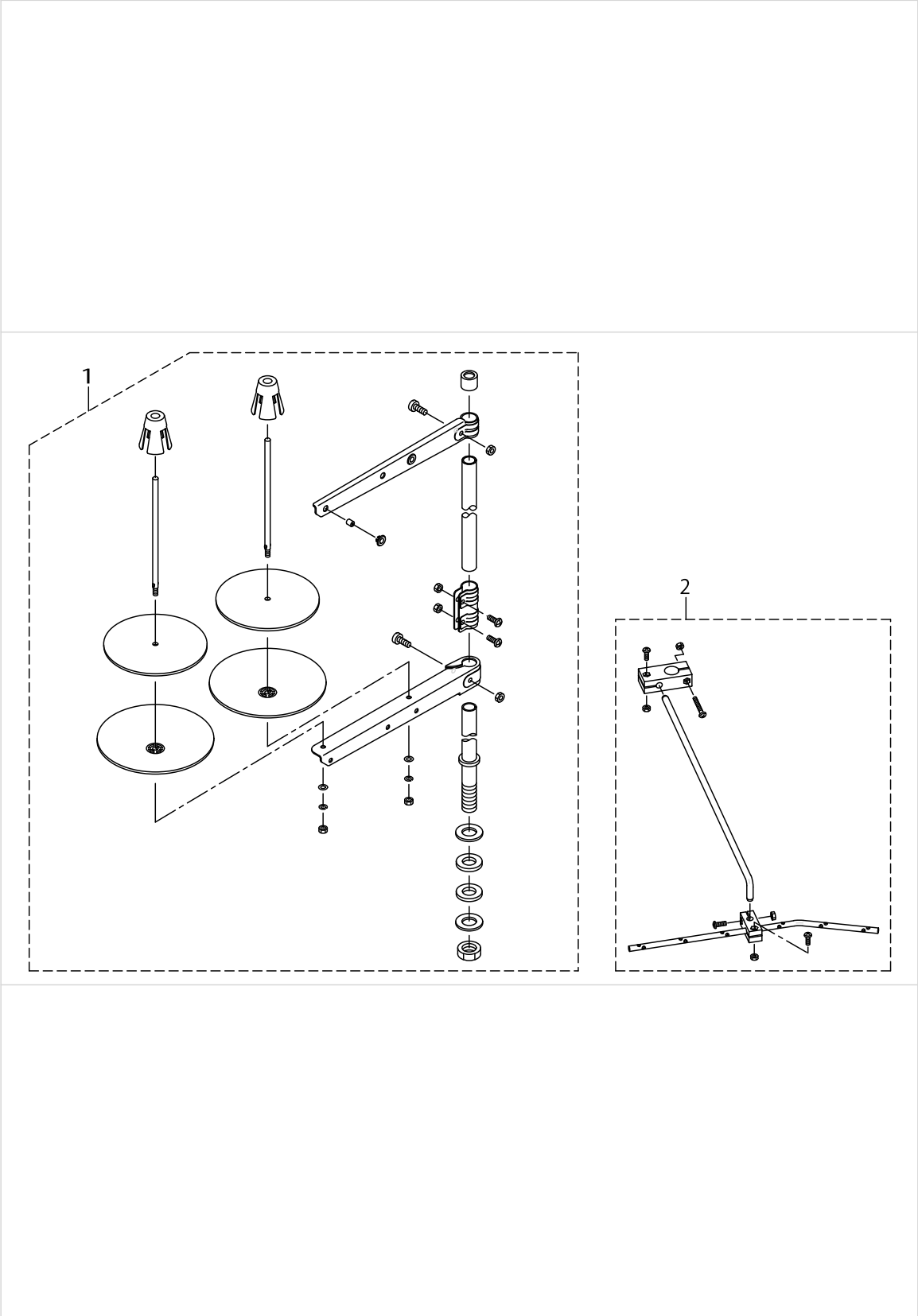
BELT COVER & OIL RESERVOIR COMPONENTS



BELT COVER & OIL RESERVOIR COMPONENTS

No.	Parts No.	Parts name	Remarks	Level	Cons	Qty
1	21351457	OIL RESERVOIR ASM.				1
2	SS6151440SP	SCREW 15/64-28 L=14				1
3	SS7110840SP	SCREW 11/64-40 L=7.8				1
4	SS5110740TP	SCREW 11/64-40 L= 6.5				1
5	40025299	OIL POT JOINT				1
6	21379003	OIL MANAGEMENT WASHER				1
7	B8112220000	OIL SEAL				1
8	40025300	OIL POT				1
9	SM3031401SE	SCREW M3X0.5 L=14				4
10	NM6030001SC	NUT M3				4
11	10748101	OIL REMOVING SETSCREW PACKING				8
12	WP0320501SC	WASHER M3				4
13	SK3241601SC	WOOD SCREW D=2.4 L=16				8
14	10755254	BELT COVER C ASM. (FOR JE)				1
15	10755205	BELT COVER C(JE)		*		1
16	SK3482500SC	WOOD SCREW D=4.8 L=25		*		2
17	21351150	BELT COVER ASM. (RIGHT)				1
18	21351101	BELT COVER (RIGHT)		*		1
19	21351002	BELT COVER AUXILIARY PLATE		*		1
20	21351200	BELT COVER (LEFT)				1
21	D8232241E00	BELT COVER SUPPORT A				1
22	SS6153040SP	SCREW 15/64-28 L=30				2
23	21345350	OIL TANK ASM.				1
24	10727303	FILTER		*	☆	1
25	10727204	FILTER CAP		*		1
26	10753002	FILTER PLATE		*		1
27	21345301	OIL TANK		*		1
28	21346804	COVER(LOWER)		*		1
29	SM6021000TP	SCREW		*		3
30	NM9050001SC	WING NUT M5X0.8		*		1
31	TA0800704R0	RUBBER PLUG		*		1
32	21346903	FILTER		*	☆	1
33	21346705	COVER(REAR)		*		1
34	21345509	FILTER CASE		*		1
35	B8228125000	OIL RESERVOIR MAGNET		*		1
36	10739209	FILTER PACKING		*		1

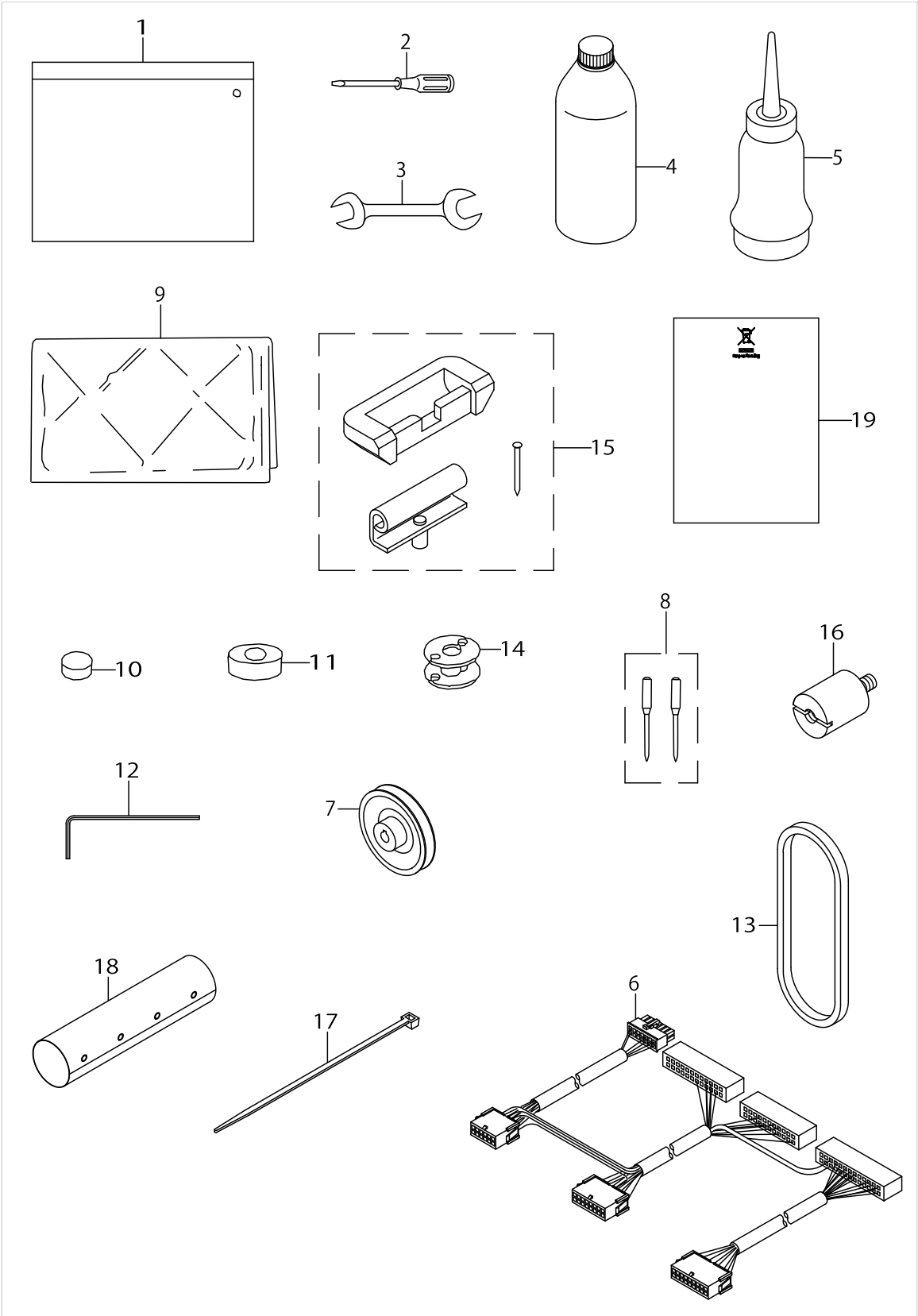
THREAD STAND COMPONENTS



THREAD STAND COMPONENTS

No.	Parts No.	Parts name	Remarks	Level	Cons	Qty
1	40096354	THREAD STAND ASM.				1
2	26910059	THREAD GUIDE ARM ASM.				1


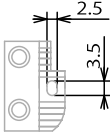
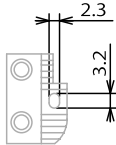
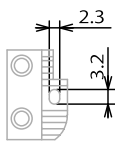
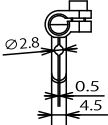
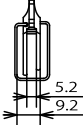
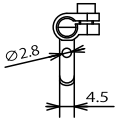
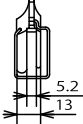
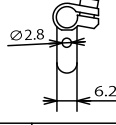
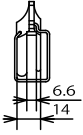
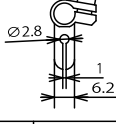
ACCESSORIES PARTS COMPONENTS



ACCESSORIES PARTS COMPONENTS

No.	Parts No.	Parts name	Remarks	Level	Cons	Qty
1	21413158	ACCESSORY BAG ASM.				1
2	22933006	SCREW DRIVER LARGE				1
3	B9113012000	WRENCH (9X10)				1
4	MDFRX2700C0	NEW DEFRIX OIL NO.2(700CC)				1
5	J1067000000	OILER				1
6	40101742	RELAY CORD ASM.				1
7	MTSP00900B0	MOTOR PULLEY ASM. P.C.D 90				1
8	M13517B1202	NEEDLE 135X17 #120-2			☆	1
9	22933303	VINYL COVER				1
10	B8206012000	FELT CUSHION				4
11	B8209012000	RUBBER CUSHION				4
12	40079298	WRENCH				1
13	MTJVH00430A	V BELT 43INCH				1
14	21334800	ALUMINUM BOBBIN WITH KNURL			☆	1
15	21413257	RUBBER HINGE ASM.				1
16	40101368	PANEL STUD				2
17	EA9500B0100	CABLE BAND				3
18	40102736	BUTTON TUBE				0.35
19	CM600100201	WEEE INFORMATION SHEET				1




















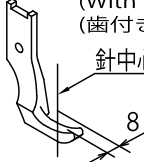

GAUGE COMPONENTS (1)

		Item 品名		
Throat plate 針板	Standard 標準			
		Ref.No.	1	
		Part No.	401-62276	
Feed dog 送り歯	Standard 標準			
		Ref.No.	2	
		Part No.	401-62277	
	Option オプション			
		Ref.No.	3	
		Part No.	401-65977	
				
Ref.No.	4			
Part No.	401-65978			
		Working foot 中足	Presser foot 押え足	
Standard 標準				
	Ref.No.	5	Ref.No.	9
	Part No.	400-41246	Part No.	400-41243
Option オプション				
	Ref.No.	6	Ref.No.	10
	Part No.	B1470-053-0A0	Part No.	213-50152
				
	Ref.No.	7		
	Part No.	D1470-241-EA0		
				
Ref.No.	8	Ref.No.	11	
Part No.	D1470-241-EAA	Part No.	B1525-241-HA0	

GAUGE COMPONENTS (1)

No.	Parts No.	Parts name	Remarks	Level	Cons	Qty
1	40162276	THROAT_PLATE_TRIM				1
2	40162277	FEED_DOG				1
3	40165977	FEED DOG NM120				1
4	40165978	FEED DOG NM130				1
5	40041246	UPPER FEED FOOT(FOR AM)ASM.				1
6	B14700530A0	WALKING FOOT ASM.				1
7	D1470241EA0	WALKING FOOT ASM.				1
8	D1470241EAA	WALKING FOOT ASM.				1
9	40041243	PRESSER FOOT(FOR AM)				1
10	21350152	PRESSER FOOT ASM.				1
11	B1525241HA0	PRESSER FOOT ASM.				1

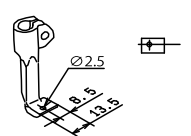
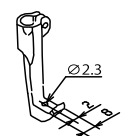
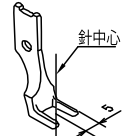
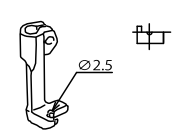
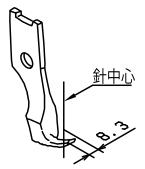
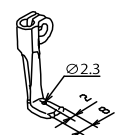
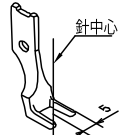
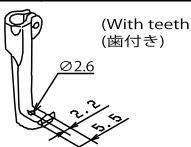
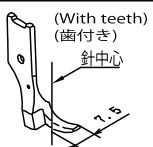
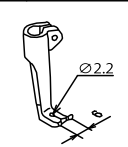

GAUGE COMPONENTS (2)

Item	Walking foot		Item	Presser foot						
	品名	中足		品名	外足					
For piping パイピング用	 (Commonly used for every size of presser foot) (各サイズ共用)		 		Ref.No.	Part No.	Size(mm)	Ref.No.	Part No.	
					1	B1478-245-000	4.4mm(5/32)	12	B1530-245-0AC	
							4.8mm(3/16)	13	B1530-245-0AD	
							6.4mm(1/4)	14	B1530-245-0AF	
							7.9mm(5/16)	15	B1530-245-0AH	
							9.5mm(3/8)	16	B1530-245-0AK	
	 		 		Size(mm)	Ref.No.	Part No.	Size(mm)	Ref.No.	Part No.
					4.4mm(5/32)	2	B1478-245-000	4.4mm(5/32)	17	B1531-245-0AC
					4.8mm(3/16)	3	B1479-245-00D	4.8mm(3/16)	18	B1531-245-0AD
					6.4mm(1/4)	4	B1479-245-00F	6.4mm(1/4)	19	B1531-245-0AF
7.9mm(5/16)					5	B1479-245-00H	7.9mm(5/16)	20	B1531-245-0AH	
9.5mm(3/8)							9.5mm(3/8)			
 		 		Size(mm)	Ref.No.	Part No.	Size(mm)	Ref.No.	Part No.	
				4.4mm(5/32)	6	B1474-245-00C	4.4mm(5/32)	21	B1527-245-0AC	
				4.8mm(3/16)	7	B1474-245-00D	4.8mm(3/16)	22	B1527-245-0AD	
				6.4mm(1/4)	8	B1474-245-00F	6.4mm(1/4)	23	B1527-245-0AF	
				7.9mm(5/16)	9	B1474-245-00H	7.9mm(5/16)	24	B1527-245-0AH	
				9.5mm(3/8)	10	B1474-245-00K	9.5mm(3/8)	25	B1527-245-0AK	
 (With teeth) (歯付き)		 (With teeth) (歯付き) 針中心		Ref.No.	Part No.	Ref.No.	Part No.			
				11	103-38309	26	B1525-563-SA0			

GAUGE COMPONENTS (2)

No.	Parts No.	Parts name	Remarks	Level	Cons	Qty
1	B1478245000	INNER PRESSER				1
2	B1478245000	INNER PRESSER				1
3	B147924500D	CENTER PRESSER FOOT 3/16				1
4	B147924500F	BACK CUT INNER PRESSER 1/4				1
5	B147924500H	BACK CUT INNER PRESSER 5/16				1
6	B147424500C	INNER PRESSER 5/32				1
7	B147424500D	INNER PRESSER (BLADE) 3/16				1
8	B147424500F	WALKING FOOT F				1
9	B147424500H	INNER PRESSER 5/16				1
10	B147424500K	CENTER PRESSER FOOT 3/8				1
11	10338309	UPPER FEED FOOT				1
12	B15302450AC	OUTER PRESSER ASM. 5/32				1
13	B15302450AD	OUTER PRESSER FOOT ASM. 3/16.				1
14	B15302450AF	OUTER PRESSER FOOT 1/4 ASM.				1
15	B15302450AH	OUTER PRESSER FOOT ASM. (5/16)				1
16	B15302450AK	OUTER PRESSER FOOT ASM. (3/8)				1
17	B15312450AC	OUTER PRESSER ASM. 5/32				1
18	B15312450AD	OUTER PRESSER FOOT ASM. 3/16				1
19	B15312450AF	OUTER PRESSER ASM. 1/4				1
20	B15312450AH	FEEDING FRAME 5/16 ASM.				1
21	B15272450AC	OUTER PRESSER FOOT ASM. 5/32				1
22	B15272450AD	FEEDING FRAME 3/16 ASM.				1
23	B15272450AF	OUTER PRESSER ASM. 1/4				1
24	B15272450AH	OUTER PRESSER FOOT ASM. 5/16				1
25	B15272450AK	OUTER PRESSER FOOT ASM.3/8				1
26	B1525563SA0	PRESSER FOOT ASM.				1

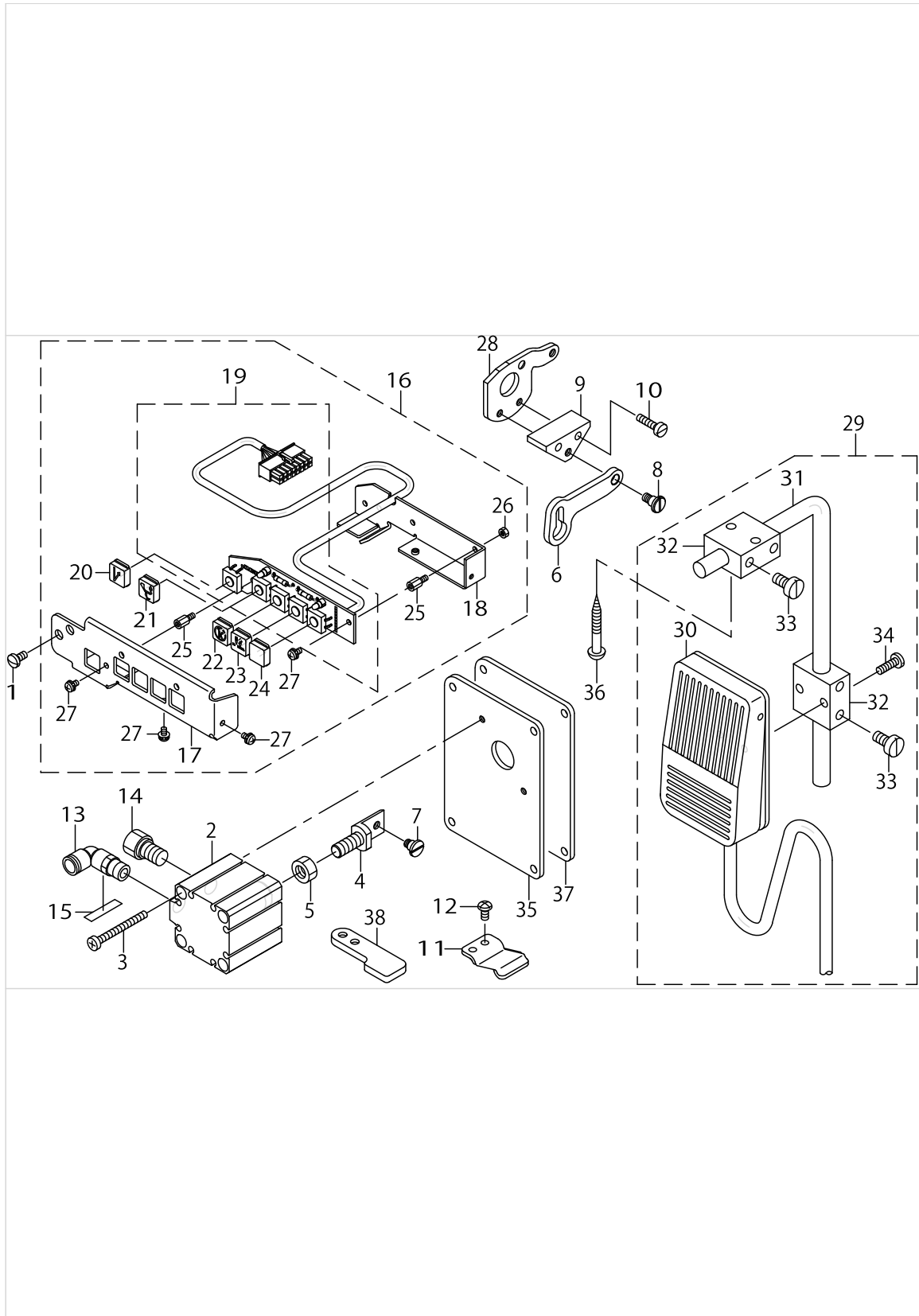
GAUGE COMPONENTS (3)

Item 品名	Walking foot 中足	Presser foot 外足	Item 品名	Walking foot 中足	Presser foot 外足
		(With teeth) (歯付き) テープ付け用 FOR BINDING			
Ref.No.	1		Ref.No.	4	8
Part No.	MAQ-09307000		Part No.	103-25306	103-25157
					
Ref.No.	2	6	Ref.No.	5	9
Part No.	MAN-10452000	MAQ-093080A0	Part No.	103-26205	103-26304
	(With teeth) (歯付き)				
Ref.No.	3	7	Ref.No.	10	11
Part No.	B1476-245-00A	B1529-245-0AA	Part No.	B1470-245-000	B1524-245-0A0

GAUGE COMPONENTS (3)

No.	Parts No.	Parts name	Remarks	Level	Cons	Qty
1	MAQ09307000	WALKING FOOT				1
2	MAN10452000	UPPER FEED FOOT				1
3	B147624500A	INNER PRESSER				1
4	10325306	WALKING FOOT				1
5	10326205	UPPER FEED FOOT				1
6	MAQ093080A0	PRESSER FOOT ASM.				1
7	B15292450AA	OUTER PRESSER FOOT ASM. RIGHT				1
8	10325157	PRESSER FOOT ASM.				1
9	10326304	PRESSER FOOT				1
10	B1470245000	WALKING FOOT				1
11	B15242450A0	PRESSER FOOT ASM.				1

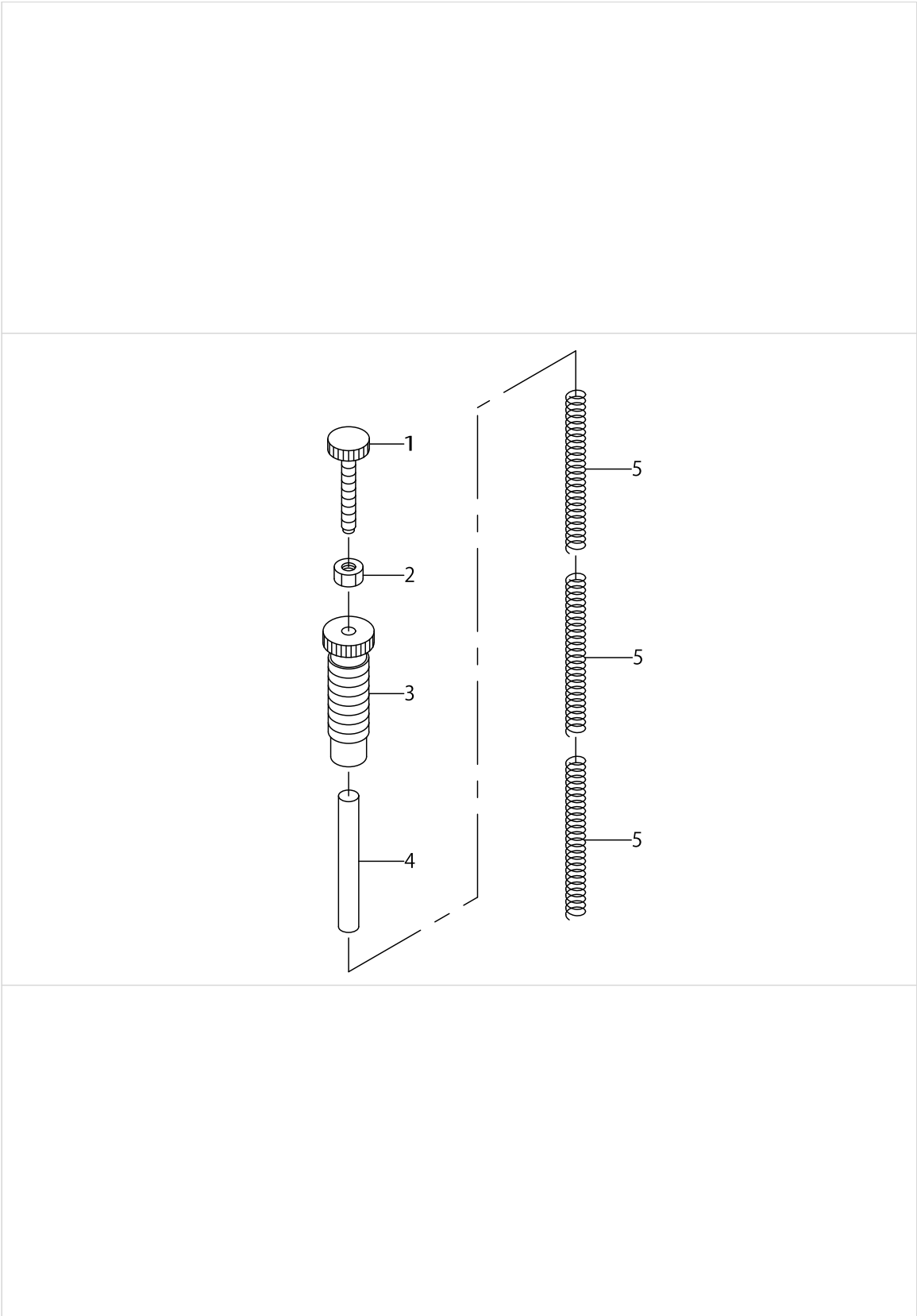
OPTIONAL PARTS (DL MECHANISM) COMPONENTS



OPTIONAL PARTS (DL MECHANISM) COMPONENTS

No.	Parts No.	Parts name	Remarks	Level	Cons	Qty
1	SS7110840SP	SCREW 11/64-40 L=7.8				2
2	PA320200100	JIG CYLINDER				1
3	SM6044002TP	SCREW				2
4	21438403	CYLYNDER CONNECTING SCREW				1
5	NM6080721SE	NUT M8				1
6	21438502	MUTUAL VERTICAL LINK				1
7	SD0600403TP	HINGE SCREW				1
8	SD0600454TP	SHOULDER SCREW				1
9	21438601	MUTUAL VERTICAL LINK SPASER				1
10	SS6111610SP	SCREW 11/64-40 L=16				2
11	21438700	MUTUAL VERTICAL LINK SUPPORT				1
12	SS4110815SP	SCREW 11/64-40 L=8				2
13	PJ304065101	ELBOW UNION 6XPT1/8				1
14	PX015101000	MUFFLER				1
15	HX00295000C	WIRE MARK(4)				1
16	40102062	5RANGE SWITCH ASM.				1
17	21442603	SWITCH COVER		*		1
18	21442702	SWITCH CIRCUIT FITTING BASE		*		1
19	40102061	5RANGE SWITCH SUB ASM.		*		1
20	21442900	KEY TOP A		*		1
21	21443007	KEY TOP B		*		1
22	21443106	KEY TOP C		*		1
23	21443205	KEY TOP D		*		1
24	21443809	KEY TOP F		*		1
25	HX00354000N	SPACER		*		4
26	NM6030001SC	NUT M3		*		3
27	SL4030631SC	SCREW M3X6		*		4
28	21438106	STOPPER PLATE B				1
29	40025036	KNEE SWITCH ASM.				1
30	40025035	KNEE SWITCH ASM.		*		1
31	MAT80231T00	DRIVING BAR T002		*		1
32	MAT80230T00	KNEE SWITCH SUPPORT BASE		*		2
33	SS6151220SP	SCREW 15/64-28 L=11.5		*		4
34	SS7111410SP	SCREW 11/64-40 L=14		*		2
35	21437207	WINDOW PLATE F				1
36	SK3514000SC	WOOD SCREW D=5.1 L=40				2
37	21437306	WINDOW PLATE E PACKING				1
38	21438205	UPPER FEED STOPPER PLATE				1

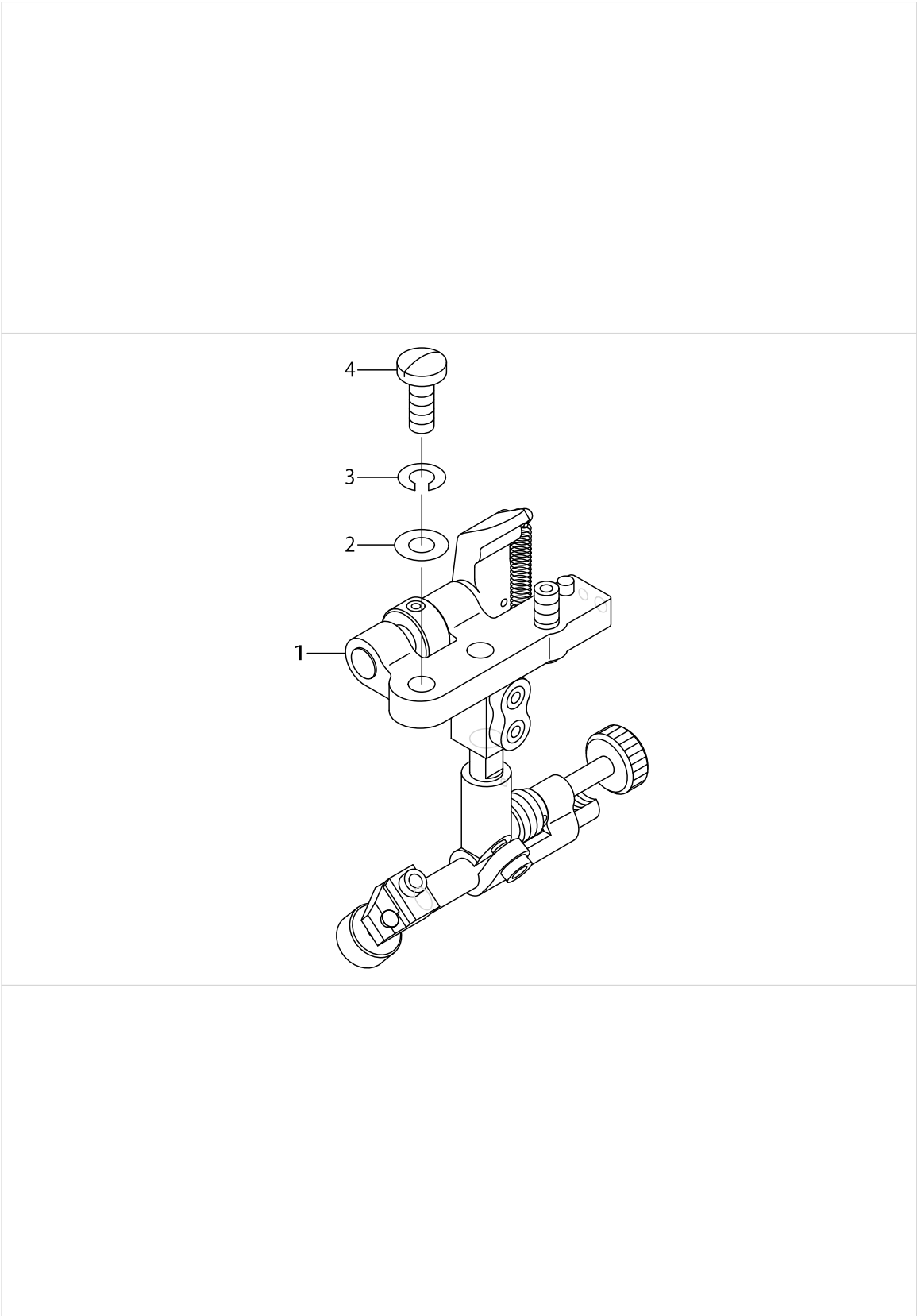
OPTIONAL PARTS (ADDITIONAL SPRING FOR PRESSER BAR) COMPONENTS



OPTIONAL PARTS (ADDITIONAL SPRING FOR PRESSER BAR) COMPONENTS

No.	Parts No.	Parts name	Remarks	Level	Cons	Qty
1	21006507	ADJUST SCREW B				1
2	NS6110530SP	NUT 11/64-40				1
3	21006408	ADJUST SCREW A				1
4	21342407	GUIDE SHAFT				1
5	21006002	ADJUST SPRING B				3

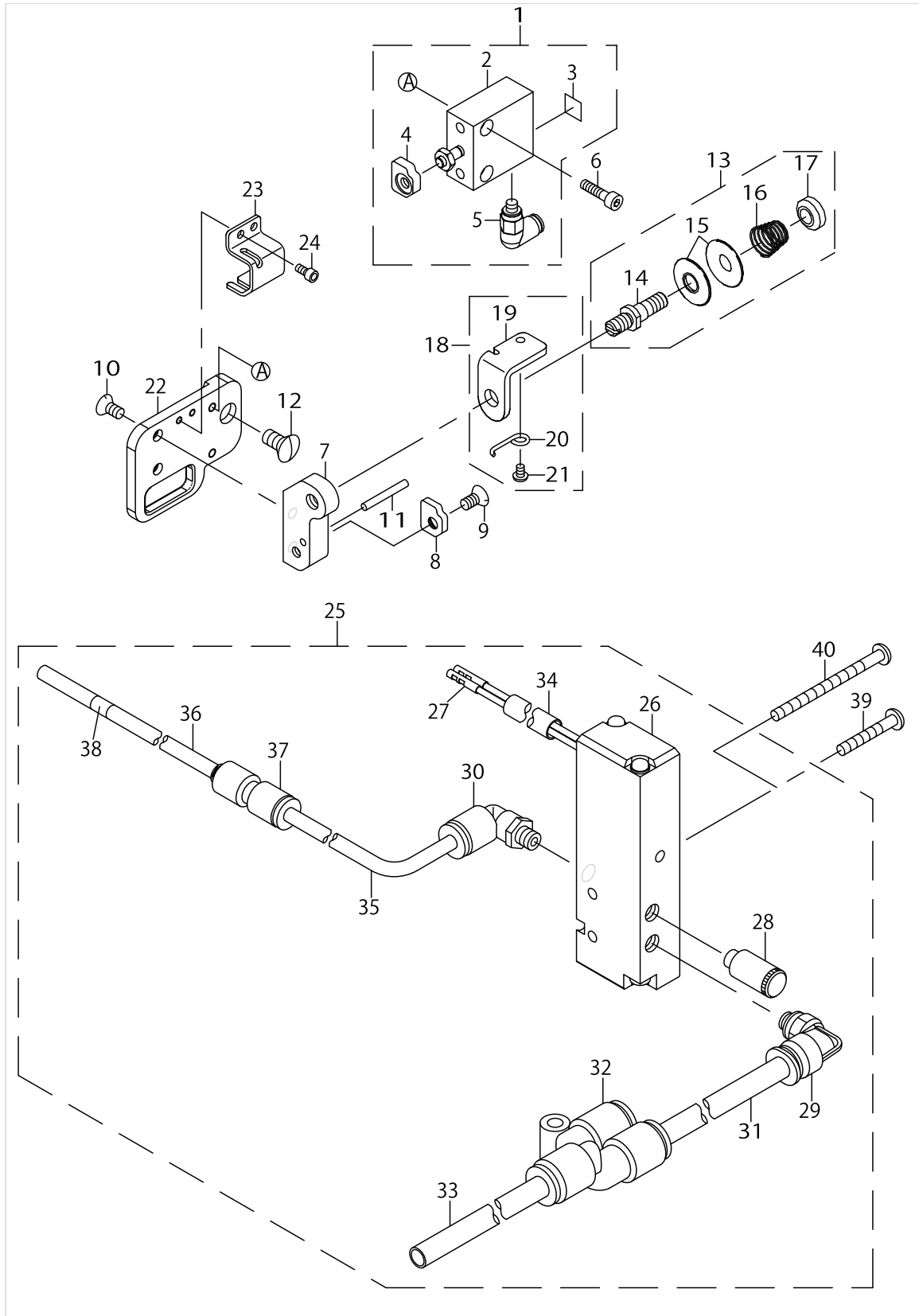
OPTIONAL PARTS (SUSPENSION SQUARE) COMPONENTS



OPTIONAL PARTS (SUSPENSION SQUARE) COMPONENTS

No.	Parts No.	Parts name	Remarks	Level	Cons	Qty
1	MAH152010A0	RULER				1
2	WP0621016SD	WASHER 6.2X13X1				2
3	WS0610002KN	SPRING WASHER 6.1X12.2X1.5				2
4	SS7151610SP	SCREW 15/64-28 L=16				2

OPTIONAL PARTS (THREAD CLAMP DEVICE) COMPONENTS



OPTIONAL PARTS (THREAD CLAMP DEVICE) COMPONENTS

No.	Parts No.	Parts name	Remarks	Level	Cons	Qty
1	40098856	THREAD_CLAMP_CYLINDER_ASM.				1
2	PA0800401A0	AIR CYLINDER		*		1
3	HX00295000E	WIRE MARK (6)		*		1
4	40058067	THREAD_PRESSER		*		1
5	PJ304020302	ELBOW		*		1
6	SM6851002TP	SCREW M2.5 L=10				2
7	40058069	THREAD HOLDER_BASE				1
8	40058068	THREAD HOLDER				1
9	SM1030601SC	SCREW M3 L=6				1
10	SM1030601SC	SCREW M3 L=6				2
11	22683403	NEEDLE BAR CONNECTION PIN				1
12	SS2090840SP	SCREW				1
13	40062426	THREAD_TENSION_ASM.				1
14	40062427	TENSION_POST		*		1
15	12939708	TENSION DISC		*		2
16	12939807	TENSION SPRING		*		1
17	12939906	TENSION NUT		*		1
18	40062438	THREAD_GUIDE_ASM.				1
19	40062428	THREAD_GUIDE		*		1
20	40062429	THREAD_GUIDE_SPRING		*		1
21	SS5060310SP	SCREW 3/32-56 L=2.8		*		1
22	40162887	THREAD CLAMP BASE				1
23	40058065	THREAD_CATCHER_COVER				1
24	SM6020452TP	HEXAGONAL HOLE BOLT				2
25	40169758	SOLENOID VALVE ASM.				1
26	PV130523000	MAGNETIC VALVE		*		1
27	HK03464000A	TERMINAL FEMALE		*		2
28	PX010501000	MUFFLER M5		*		1
29	PJ304060504	QUICK JOINT (MINI-TYPE)		*		1
30	PJ304040504	ELBOW UNION		*		1
31	BT0600401EB	TUBE		*		1
32	PJ308060003	Y UNION		*		1
33	BT0600401EB	TUBE		*		1
34	D2428141E00	CORD TUBE 5X0.4		*		1
35	BT0400251EB	URETHANE HOSE BLACK		*		1
36	BT0200121EB	URETHANE TUBE BLACK 2X1.2		*		1
37	PJ303040006	JOINT		*		1
38	HX00295000E	WIRE MARK (6)		*		1
39	SM4032001SC	SCREW M3X0.5 L=20				2
40	SM4034001SN	SCREW M3 L=40				2

HOW TO MAKE USE OF THIS PARTS LIST

1.Explanation of codes

1)"*"mark.....means this part is changed from the previous parts book.

As to the details of the change, refer to the "List for information of change".

2)"#01".....refer to "Note" explanation at bottom of page.

2.Codes on the "Qty" column

- Each numeral indicates the number of parts required.
- "0.1" and "2.5" indicate the length (in meters) of the respective parts.

3.Parentheses mean that the corresponding part is a subpart that constructs an assembly part.

4.Dotted lines on the Figures indicate assembly parts.

5.As to the parts with marks of "☆"(consumable parts) and "◎"(optional parts)on the respective parts, it is recommended to prepare spares.

1 ."注記"欄の記号説明

1) "*"印.....前回のパーツブックに比較して今回変更された部品を意味します。

変更内容は、"変更情報リスト"を参照してください。

2) "#01".....ページ下の"注記"の説明を参照してください。

2.数量欄の数字は、個数を表し、0.1、2.5等の数値は、長さ（単位メートル）を表します。

3.数量欄の（ ）は、組部品を構成している子部品であることを意味します。

4.イラストページの-----枠は、組構成であることを意味します。

5.リストページの"☆"（消耗部品）、"◎"（オプション部品）の印がついた部品は、予備を準備しておくことをお奨めします。

NUMERICAL INDEX OF PARTS

PART NO	PAGE	REF NO.	PART NO	PAGE	REF NO.	PART NO	PAGE	REF NO.
10109700	22	30~38	10748101	46	11	21339056	10	27
10109809	22	30~38	10753002	46	26	21339304	10	25
10109908	22	21	10755205	46	15	21339601	16	25
10110906	22	30~38	10755254	46	14	21339700	16	27
10111003	22	30~38	10774305	16	10	21339809	16	12
10111102	22	30~38	11045101	34	15	21340005	14	58
10111201	22	30~38	11072402	34	16	21340302	14	53
10112407	22	22	11956802	34	12	21340401	12	1
10112506	22	30~38	12939708	64	15	21340500	12	2
10112605	22	30~38	12939807	64	16	21340708	42	10
10112704	22	30~38	12939906	64	17	21340906	12	37
10116804	28	52	13138201	34	8	21341151	12	41
10124204	34	13	14512503	36	17	21341508	16	22
10126803	44	48	17912106	2	24	21341607	16	19
10201200	4	53	21006002	60	5	21342407	60	4
10205201	18	20	21006408	60	3	21343207	4	56
10320109	34	3	21006507	60	1	21345103	42	29
10320208	34	6	21048707	14	51	21345202	42	31
10321107	34	24~26	21331301	2	4	21345301	46	27
10325157	56	8	21331608	2	18	21345350	46	23
10325306	56	4	21332002	4	55	21345509	46	34
10326205	56	5	21332200	2	46	21345608	44	52
10326304	56	9	21332606	6	30	21345707	42	2
10338309	54	11	21332705	6	1	21345756	42	1
10502300	36	21	21333000	6	2	21345806	42	3
10509701	12	22	21333109	6	18	21345905	42	4
10604809	6	6	21333604	24	56	21346002	42	18
10618304	36	8	21333901	8	49	21346101	42	24
10622009	2	29	21334800	22	2	21346200	42	25
10704807	36	19	21334800	50	14	21346309	42	6
10713501	16	29	21335708	22	7	21346358	42	5
10713600	14	50	21336300	20	60	21346408	42	8
10713758	14	49	21336607	20	49	21346507	42	7
10713808	14	57	21336656	20	48	21346606	42	27
10714202	16	24	21337209	18	38	21346705	46	33
10714608	16	6	21337308	18	33	21346804	46	28
10715100	16	14	21337605	18	35	21346903	46	32
10715308	16	20	21337803	16	9	21347000	42	14
10715704	16	16	21337803	18	27	21347109	12	13
10716504	16	1	21337902	18	32	21347208	42	16
10718203	16	23	21338504	10	3	21347406	10	30
10727204	46	25	21338603	10	18	21348206	34	24~26
10727303	46	24	21338801	10	20	21348503	30	15
10739209	46	36	21338900	10	22	21348602	30	11
10741106	34	14	21339007	10	28	21349105	30	5

NUMERICAL INDEX OF PARTS

PART NO	PAGE	REF NO.	PART NO	PAGE	REF NO.	PART NO	PAGE	REF NO.
21349600	2	38	21388004	20	66	22602601	2	17
21350152	52	10	21388400	10	16	22603112	4	51
21351002	46	19	21388509	38	6	22604300	8	67
21351101	46	18	21388608	30	38	22606206	8	56
21351150	46	17	21392907	30	24	22609408	18	12
21351200	46	20	21398300	30	17	22611701	22	41
21351457	46	1	21398409	30	4	22611909	22	42
21353008	6	23	21398508	30	13	22617906	34	9
21353701	26	44	21402300	6	27	22618201	34	7
21353750	26	43	21405204	10	2	22619100	4	52
21354006	28	51	21406103	12	43	22656003	30	28
21354105	26	30	21406509	12	28	22656102	30	29
21354204	26	28	21406608	12	44	22683403	64	11
21354600	26	36	21407200	18	24	22814909	10	11
21354709	26	34	21407309	18	31	22901805	2	45
21355102	26	39	21407408	18	26	22904106	12	7
21355607	2	27	21413158	50	1	22904106	18	18
21355656	2	23	21413257	50	15	22904155	12	6
21355706	36	24	21427307	24	54	22904155	18	17
21355755	36	23	21430400	20	67	22907604	12	38
21355904	2	6	21437108	4	49	22911804	18	44
21356001	36	6	21437207	58	35	22912000	18	46
21356308	38	11	21437306	2	11	22912109	18	47
21356407	38	12	21437306	58	37	22933006	50	2
21356506	38	3	21438106	58	28	22933303	50	9
21356704	38	9	21438205	58	38	22945505	36	27
21356803	38	7	21438403	58	4	22945703	36	30
21357959	36	3	21438502	58	6	22951552	2	12
21357967	36	1	21438601	58	9	22952501	30	31
21358205	36	9	21438700	58	11	23006406	34	24~26
21363106	32	3	21441050	34	2	23024409	24	53
21364104	18	10	21441100	34	17	23630007	42	58
21378302	12	5	21441209	32	7	23630007	44	58
21378302	18	13	21441308	32	8	23636202	36	5
21378401	22	14	21441407	32	1	26225201	12	29
21378708	36	29	21442603	58	17	26226209	30	26
21378906	20	54	21442702	58	18	26910059	48	2
21379003	46	6	21442900	58	20	40009103	20	50
21387402	6	25	21443007	58	21	40012496	26	24
21387402	10	7	21443106	58	22	40012497	26	25
21387501	6	31	21443205	58	23	40012503	22	39
21387600	6	34	21443809	58	24	40016148	8	55
21387709	6	33	22537658	36	2	40016798	2	1
21387808	6	38	22538151	36	4	40018339	12	16
21387907	6	29	22538706	36	32	40018340	12	33

NUMERICAL INDEX OF PARTS

PART NO	PAGE	REF NO.	PART NO	PAGE	REF NO.	PART NO	PAGE	REF NO.
40018341	12	23	40062388	32	5	40147937	26	16
40019926	18	36	40062426	64	13	40147938	26	10
40021883	26	18	40062427	64	14	40148033	24	60
40022589	22	25	40062428	64	19	40152631	2	3
40022590	22	26	40062429	64	20	40162275	22	1
40023289	30	25	40062438	64	18	40162276	52	1
40024855	6	4	40064409	42	33	40162277	52	2
40025035	58	30	40075553	12	47	40162278	26	26
40025036	58	29	40079298	50	12	40162279	22	24
40025299	46	5	40079905	24	66	40162280	4	54
40025300	46	8	40081969	18	29	40162281	2	30
40027746	10	26	40081970	18	23	40162282	10	32
40029570	22	18	40095615	24	59	40162285	26	11
40032804	42	38	40095617	24	61	40162286	26	29
40033026	12	12	40095619	24	63	40162860	24	49
40033027	12	11	40095620	24	64	40162887	64	22
40033029	12	19	40096354	48	1	40165973	32	11
40033030	12	24	40098856	64	1	40165974	24	57
40033031	12	35	40099618	36	10	40165975	24	58
40033032	12	34	40101368	50	16	40165976	24	62
40038692	8	65	40101742	50	6	40165977	52	3
40038700	8	50	40102061	58	19	40165978	52	4
40038702	8	51	40102062	58	16	40165979	8	58
40038711	18	30	40102736	50	18	40166316	40	2
40038712	18	42	40103000	40	23	40166317	40	1
40038717	40	27	40103001	40	22	40167402	24	67
40038722	40	14	40104355	18	1	40169758	64	25
40038723	40	16	40104356	18	2	40169762	26	20
40038908	40	6	40104357	18	3	40170676	26	21
40039326	12	4	40104367	6	44	40170679	8	57
40039608	30	1	40104368	26	46	40172093	4	50
40041243	52	9	40104369	28	48	40176683	26	7
40041246	52	5	40107618	40	17	40176684	26	13~15
40041734	6	3	40107949	16	4	40176685	26	13~15
40042141	22	16	40108541	20	57	40176766	26	3
40042611	24	48-68	40108542	16	15	40197296	6	21
40049663	20	71	40113092	36	28	A407855000A	42	20
40051503	44	50	40113224	6	36	B1111563000	2	34
40056364	30	37	40119279	26	45	B1132521000	2	25
40056365	30	34	40125273	2	20	B1148555000	36	11
40056366	30	33	40134967	26	6	B1210051000	6	11
40058065	64	23	40135955	26	5	B1214019000	6	32
40058067	64	4	40143083	6	26	B1214038000	42	40
40058068	64	8	40143787	34	1	B1308055000	6	35
40058069	64	7	40147936	26	13~15	B1310055000	6	37

NUMERICAL INDEX OF PARTS

PART NO	PAGE	REF NO.	PART NO	PAGE	REF NO.	PART NO	PAGE	REF NO.
B1313055000	6	47	B15302450AK	54	16	CQ202000000	6	19
B1314055000	6	39	B15312450AC	54	17	CQ202000000	10	4
B1408051000	6	13	B15312450AD	54	18	CQ202000000	18	51
B1410771000	10	24	B15312450AF	54	19	CQ202000000	20	51
B1411053000	10	8	B15312450AH	54	20	CQ202000000	22	9
B1412051000	10	10	B1604012000A	18	7	CQ202000000	42	15
B1412051000	42	19	B1610512000	18	39	CQ252000000	14	55
B1414232000	10	23	B1611055000	20	61	CQ252000000	44	55
B1414555000	12	21	B1639051000	6	46	CQ3000000F0	12	15
B1420563000	10	1	B18035150A0	22	44	CQ303000000	6	9
B1437051000	10	6	B1816051000	24	50	CQ505000000	6	12
B1462053000	12	42	B1817051000	24	48-68	CS0700811SH	28	54
B14670530A0	12	25	B1820563000	22	13	CS070081BSH	28	53
B1467563000	10	14	B1821051000	22	3	CS1201010SH	20	62
B1468053000	12	26	B1822563000	22	6	CS1201011SH	20	63
B14700530A0	52	6	B1824563000	22	10	D1470241EA0	52	7
B1470245000	56	10	B1834512000A	44	62	D1470241EAA	52	8
B147424500C	54	6	B1906051000	6	5	D2112555B00	2	10
B147424500D	54	7	B1907526000	6	8	D2427555B00B	26	47
B147424500F	54	8	B3025141H00A	18	15	D2428141E00	64	34
B147424500H	54	9	B3120125000	34	11	D2430555B00	28	49
B147424500K	54	10	B3128051000	34	4	D3162555B00	34	21
B147624500A	56	3	B3129053000	34	22	D3162555B00	36	25
B1478245000	54	2	B3129526000	34	10	D8232241E00	46	21
B147924500D	54	3	B31375270A0	34	5	EA9500B0000	12	14
B147924500F	54	4	B3138512000	2	32	EA9500B0000	42	9
B147924500H	54	5	B3416552000	16	2	EA9500B0100	2	13
B1501241H00	12	31	B3520586000	44	51	EA9500B0100	10	31
B1502246000	12	39	B3524552000	42	41	EA9500B0100	16	5
B1510155000	12	32	B3534155000	42	39	EA9500B0100	26	42
B15242450A0	56	11	B3538112000	42	21	EA9500B0100	30	35
B1525241HA0	52	11	B8112220000	46	7	EA9500B0100	42	59
B1525563SA0	54	26	B8206012000	50	10	EA9500B0100	44	59
B152652700G	16	17	B8209012000	50	11	EA9500B0100	50	17
B15272450AC	54	21	B8228125000	46	35	GAK29009000	40	18
B15272450AD	54	22	B9113012000	50	3	GAK29010000	40	26
B15272450AF	54	23	BT0200121EB	64	36	GAKA1503000	40	25
B15272450AH	54	24	BT0400251EB	64	35	GTS01037000	30	36
B15272450AK	54	25	BT0600401EB	40	29	HK034610120	26	41
B15292450AA	56	7	BT0600401EB	64	33	HK034610180	40	24
B152989000CA	36	7	BT0600402EA	44	49	HK03464000A	26	40
B15302450AC	54	12	CM300200001	2	44	HK03464000A	30	39
B15302450AD	54	13	CM300200001	38	13	HK03464000A	40	28
B15302450AF	54	14	CM301300001	2	9	HK03464000A	64	27
B15302450AH	54	15	CM600100201	50	19	HK03464000B	32	6

NUMERICAL INDEX OF PARTS

PART NO	PAGE	REF NO.	PART NO	PAGE	REF NO.	PART NO	PAGE	REF NO.
HX00123000A	2	41	NS6680320SP	18	22	SD1000801SH	20	55
HX00123000A	6	16	PA0800401A0	64	2	SK3241601SC	46	13
HX00123000A	32	13	PA320100300	30	3	SK3385001SE	40	35
HX00123000A	42	36	PA320150200	30	2	SK3482500SC	46	16
HX002950000	30	22	PA320200100	58	2	SK3482501SE	40	21
HX002950000	40	30	PA400150100	38	1	SK3514000SC	58	36
HX00295000A	38	15	PF0552170A0	40	15	SL4030631SC	58	27
HX00295000A	40	33	PJ301065104	30	19	SM1030601SA	26	17
HX00295000B	38	16	PJ303040006	64	37	SM1030601SC	64	10
HX00295000B	40	34	PJ304020302	64	5	SM1030801SC	26	1
HX00295000C	40	32	PJ304040504	64	30	SM1040750TP	2	31
HX00295000C	58	15	PJ304060504	64	29	SM1050801SR	16	26
HX00295000D	30	23	PJ304065101	30	20	SM3031401SE	46	9
HX00295000D	40	31	PJ304065101	38	10	SM4032001SC	64	39
HX00295000E	64	38	PJ304065101	58	13	SM4034001SN	64	40
HX00354000N	58	25	PJ308060003	64	32	SM4050855SP	22	27
J1067000000	50	5	PS0600502KP	34	23	SM4061001SB	40	20
M13517B1200	10	13	PV130523000	64	26	SM5030655SP	42	37
M13517B1202	50	8	PX010501000	64	28	SM6020452TP	64	24
M40071100AA	8	60	PX015101000	30	21	SM6021000TP	46	29
M40071100AB	8	61	PX015101000	58	14	SM6040800SP	36	31
MAH152010A0	62	1	RC0560711KP	36	12	SM6040802TP	26	38
MAN10452000	56	2	RE0500000K0	6	45	SM6043552TN	30	10
MAQ09307000	56	1	RE0500000K0	16	11	SM6044002TP	58	3
MAQ093080A0	56	6	RE0500000K0	36	13	SM6051002TP	38	8
MAT80230T00	58	32	RE0500711KP	18	8	SM6051202TP	26	27
MAT80231T00	58	31	RE0800000K0	14	52	SM6051402TP	16	21
MDFRX2700C0	50	4	RE0900000K0	20	65	SM6052002TP	14	54
MTJVH00430A	50	13	RO044240100	22	17	SM6061002TP	30	8
MTSP00900B0	50	7	RO092270200	18	45	SM6061202TP	4	57
NM6030001SC	46	10	RO092270200	36	14	SM6061602TP	30	6
NM6030001SC	58	26	SB120000200	8	53	SM6061802TP	18	40
NM6040001SN	32	10	SD0380551SL	2	26	SM6062500SP	22	20
NM6060003SC	30	12	SD0470281SP	34	19	SM6082002TP	38	2
NM6080001SE	38	4	SD0600403TP	58	7	SM6850400SP	26	4
NM6080003SC	30	14	SD0600454TP	58	8	SM6851002TP	64	6
NM6080721SE	58	5	SD0640322TP	6	42	SM8030312TP	26	2
NM9050001SC	46	30	SD0640325SP	26	31	SM8050502TP	18	6
NS6110310SP	34	20	SD0640482SP	28	56	SM8050602TP	16	8
NS6110310SP	36	26	SD0720331SP	38	5	SM8050602TP	36	20
NS6110310SP	44	61	SD0800352SP	30	18	SM8050612TP	20	52
NS6110420SP	22	5	SD0800402TP	18	53	SM80506A2TP	22	15
NS6110530SP	60	2	SD0800402TP	20	53	SM8051002TP	22	8
NS6150310SP	20	59	SD0800481SP	12	40	SM8060602TP	6	28
NS6150430SP	20	69	SD0900701TP	18	21	SM8080802TP	10	21

NUMERICAL INDEX OF PARTS

PART NO	PAGE	REF NO.	PART NO	PAGE	REF NO.	PART NO	PAGE	REF NO.
SM8080812TP	6	15	SS6151040SP	26	37	SS8111010TP	6	43
SQ1110401MZ	42	53	SS6151040SP	38	14	SS8111010TP	14	56
SQ1110401MZ	44	53	SS6151220SP	58	33	SS8150710SP	16	3
SQ1150451MZ	44	54	SS6151440SP	46	2	SS8150710TP	6	20
SQ2050453MZ	22	28	SS6151780SP	12	27	SS8150710TP	12	9
SS1090520TP	26	9	SS6151812TP	28	57	SS8150710TP	24	52
SS2090710TP	2	28	SS6151920SP	12	30	SS8150822TP	6	59
SS2090840SP	64	12	SS6152440SP	10	29	SS8150822TP	8	59
SS2110920TP	2	37	SS6153040SP	22	23	SS8150822TP	18	28
SS3090610SP	42	17	SS6153040SP	46	22	SS8151150SP	22	55
SS4080610SP	34	18	SS6661110SP	8	66	SS8151150SP	24	55
SS4110515SP	2	35	SS7080510TP	10	12	SS8151150TP	10	5
SS4110615SP	42	22	SS7090520TP	2	33	SS8151150TP	18	14
SS4110815SP	2	48	SS7090910SP	10	9	SS8660530TP	8	48
SS4110815SP	4	48	SS7090910TP	20	70	SS8660530TP	22	46
SS4110815SP	6	17	SS7091410SP	36	15	SS8660610TP	12	8
SS4110815SP	42	42	SS7110510SP	12	20	SS8660610TP	18	64
SS4110815SP	58	12	SS7110510SP	42	11	SS8660610TP	20	64
SS4111215SP	2	2	SS7110570SP	32	4	SS8660612TP	6	40
SS4120615SP	30	27	SS7110710SP	6	24	SS8660612TP	12	3
SS4150915SP	4	58	SS7110710SP	20	68	SS8660612TP	26	12
SS4150915SP	42	32	SS7110830SP	10	17	SS8660670SP	22	47
SS5060310SP	64	21	SS7110830SP	16	13	SS8660810TP	6	22
SS5090610SP	2	21	SS7110830SP	42	28	SS8660810TP	14	48
SS5110740TP	46	4	SS7110840SP	30	41	SS8660810TP	24	51
SS6090520SP	26	8	SS7110840SP	46	3	SS8661030SP	8	52
SS6090520SP	36	16	SS7110840SP	58	1	SS9111510SP	26	32
SS6090620SP	36	22	SS7110910TP	10	15	SS9151440CP	18	4
SS6090620TP	26	19	SS7110910TP	12	36	TA0290301M0	22	29
SS6090810TP	22	12	SS7110910TP	18	41	TA0550604R0	2	47
SS6090910TP	12	45	SS7110910TP	32	2	TA0750704R0	2	8
SS6091022TP	10	19	SS7110910TP	34	27	TA0750704R0	8	64
SS6110480SP	42	35	SS7111120TP	16	28	TA0750704R0	12	10
SS6110520TP	20	56	SS7111410SP	18	11	TA0800704R0	46	31
SS6110630TP	16	18	SS7111410SP	58	34	TA1050504R0	2	59
SS6110710TP	26	35	SS7111810SP	30	32	TA1050504R0	4	59
SS6110810TP	36	18	SS7120760SP	8	54	TA1250504R0	2	39
SS6111010TP	42	23	SS7120760SP	30	30	WP0320501SC	46	12
SS6111140SP	2	43	SS7120760SP	42	26	WP0371016SD	22	11
SS6111210SP	8	63	SS7150740SP	12	46	WP0450801SD	8	62
SS6111610SP	18	37	SS7150910TP	2	19	WP0501016SD	26	33
SS6111610SP	58	10	SS7151210SP	30	16	WP0501016SD	30	40
SS6111620SP	44	60	SS7151610SP	62	4	WP0501046SC	12	18
SS6121610TP	18	16	SS7621040SP	2	7	WP0501046SC	32	12
SS6121860SP	18	43	SS8110510SP	28	55	WP0531000SD	26	23

NUMERICAL INDEX OF PARTS

PART NO	PAGE	REF NO.
WP0621016SD	18	5
WP0621016SD	62	2
WP0621046SP	22	19
WP0641601SD	30	9
WP0650876SD	20	58
WP0651056SD	28	59
WS0610002KN	62	3
WS0610002KP	28	58
WT0530002KS	2	16