

MODEL : SC-923

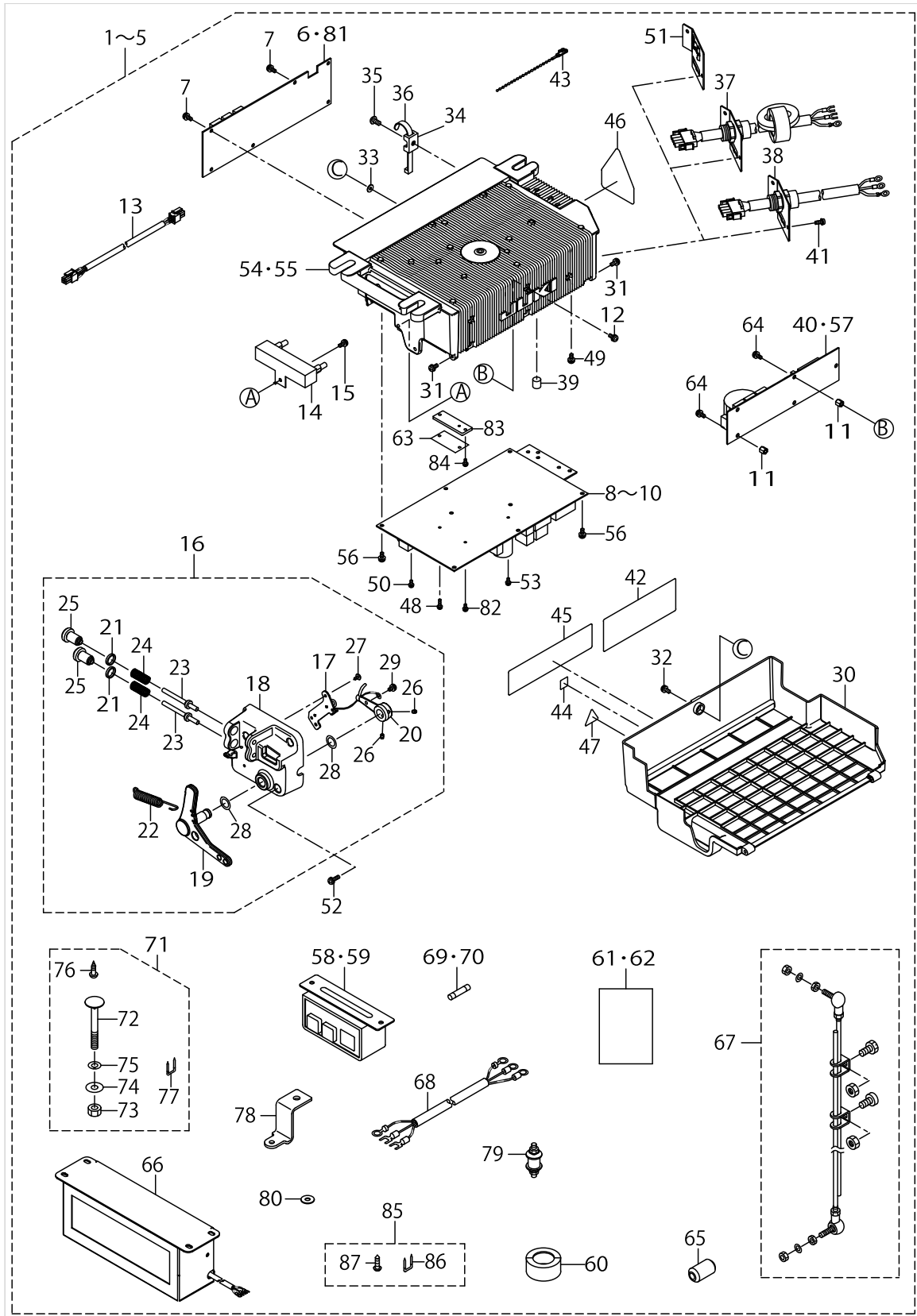
List No : 1687-02

PARTS LIST

Published:11/30/2017

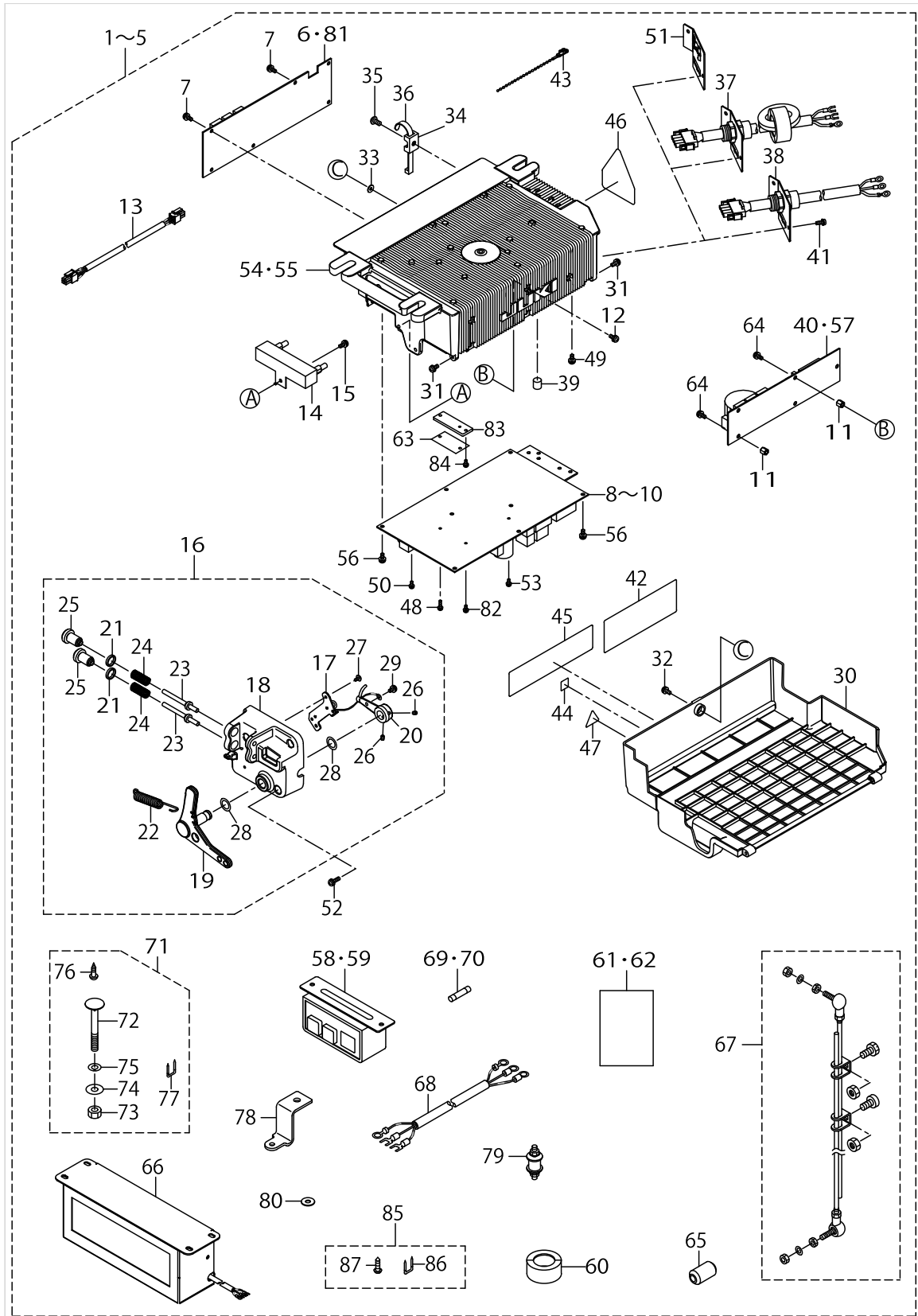
CONTENTS

SC-923.....	1
HOW TO MAKE USE OF THIS PARTS LIST	7

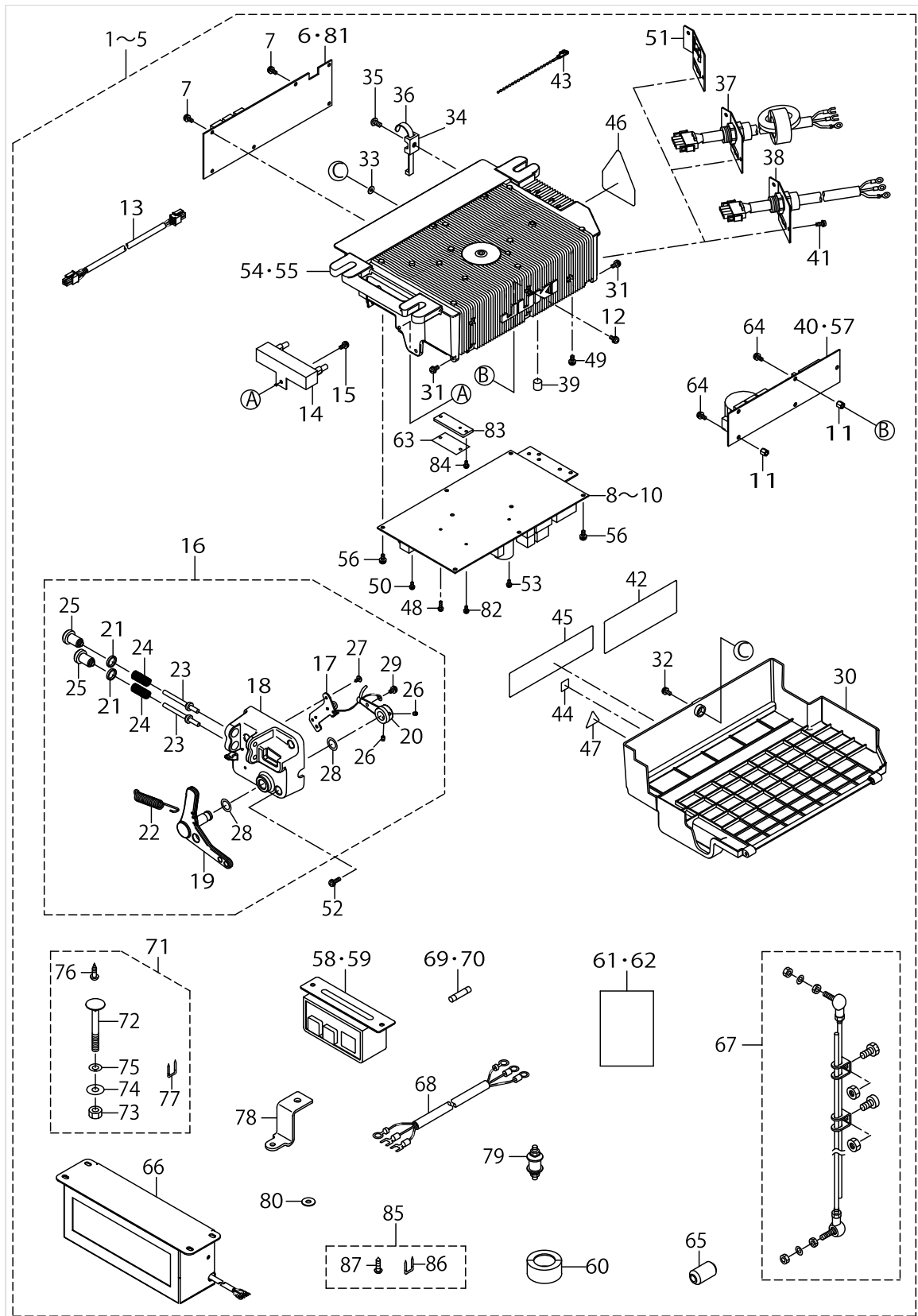


SC-923

No.	Parts No.	Parts name	Remarks	Level	Cons	Qty
1	40171470	SC-923DD 1P 220-240V CE PFL NO-OPT	FOR DD 1P 220-240V CE PFL NO-OPT			1
2	40171472	SC-923 DD 1P 220-240V PFL NO-OPT	FOR DD 1P 220-240V PFL NO-OPT			1
3	40171468	SC-923 DD 3P 200-240V PFL NO-OPT	FOR DD 3P 200-240V PFL NO-OPT			1
4	40171469	SC-923DD 3P 200-240V PFL NO-OPT JA	FOR DD 3P 200-240V PFL NO-OPT JA			1
5	40171473	SC-923 DD 1P 100-120V PFL NO-OPT JA_LA	FOR DD 1P 100-120V PFL NO-OPT JA_LA			1
6	40171475	CTL PCB ASSY		*		1
7	SL4041081SC	SCREW M4 L=10		*		6
8	40171477	PWR-CE PCB ASSY	FOR DD 1P 220-240V CE PFL NO-OPT	*		1
9	40171478	PWR-S PCB ASSY	FOR DD 1P 220-240V PFL NO-OPT	*		1
10	40171479	PWR-T PCB ASSY	FOR DD 3P 200-240V PFL NO-OPT, DD 3P 200-240V PFL NO-O-PT JA, DD 1P 100-120V PFL NO-OPT JA_LA	*		1
11	40088311	STUD	FOR DD 1P 220-240V CE PFL NO-OPT, DD 3P 200-240V PFL NO-OPT, DD 3P 200-240V PFL NO-OPT JA DD 1P 100-120V PFL NO-OPT JA_LA	*		5
12	SL4041081SC	SCREW M4 L=10	FOR DD 1P 220-240V CE PFL NO-OPT, DD 3P 200-240V PFL NO-OPT, DD 3P 200-240V PFL NO-OPT JA DD 1P 100-120V PFL NO-OPT JA_LA	*		5
13	40087153	DC POWER SUPPLY CORD ASSY		*		1
14	40087154	RESISTANCE A ASSY		*		1
15	SL4041091SC	SCREW M4 L=10		*		1
16	40171467	PEDAL SENSOR FG ASSY		*		1
17	40177066	SENSOR COIL HOLD ASSY		*		1
18	40042130	PEDAL SENSOR BASE		*		1
19	40087156	PEDAL LEVER A		*		1
20	40177068	PEDAL LEVER FG		*		1
21	40006202	ADJUST NUT		*		2
22	40006207	FRONT SPRING		*		1
23	40006208	SPRING SHAFT A		*		2
24	40049426	SPRING C		*		2
25	40006212	ADJUST SCREW		*		2
26	SM8040612TP	SCREW M4 L=6		*		2
27	SV4030601SR	SCREW M3 L=6		*		2
28	40088315	THRUST COLLAR		*		2
29	SL4040681SC	COMBINATION SCREW M4 X 8		*		1
30	40087167	UNDER COVER		*		1
31	40087157	HINGE SCREW		*		2
32	SL4041681SC	SCREW M4 L=16		*		1
33	M8002430000	STOPPER		*		1
34	KX000000210	SADDLE TYPE TIE MOUNT		*		1
35	SM4051001SC	SCREW M5 L=10		*		1
36	KX000000230	RELEASIBLE CABLE TIE		*		1
37	40130582	POWER SUPPLY PLATE ASSY CE	FOR DD 1P 220-240V CE PFL NO-OPT	*		1



No.	Parts No.	Parts name	Remarks	Level	Cons	Qty
38	40089563	POWER SUPPLY PLATE ASSY LA	FOR DD 1P 100-120V PFL NO-OPT JA_LA	*		1
39	40088316	RUBBER CUSHION		*		2
40	40087139	FLT-T PCB ASSY	FOR DD 3P 200-240V PFL NO-OPT, DD 3P 200-240V PFL NO-O- PT JA, DD 1P 100-12- 0V PFL NO-OPT JA_LA	*		1
41	SL4041081SC	SCREW M4 L=10		*		2
42	CM300100402	VOLTAGE DANGER LABEL(SMALL)	FOR DD 3P 200-240V PFL NO-OPT, DD 3P 200-240V PFL NO-O- PT JA, DD 1P 100-12- 0V PFL NO-OPT JA_LA	*		1
43	KX000000280	BEAD BAND		*		3
44	CM600100101	WEEE MARK LABEL S	FOR DD 1P 220-240V CE PFL NO-OPT	*		1
45	CM300100302	VOLTAGE DANGER LABEL(SMALL)	FOR DD 1P 220-240V CE PFL NO-OPT	*		1
46	CM300400602	VOLTAGE CAUTION LABEL L=25		*		1
47	CM300100003	VOLTAGE WARNING LABEL(25)	FOR DD 1P 220-240V PFL NO-OPT	*		1
48	SL4031281SC	SCREW M3 L=12		*		1
49	SL4040881SC	SCREW M4 L=8		*		3
50	SL4030881SC	SCREW M3 L=8		*		1
51	40087168	HOUSING PLATE A	FOR DD 1P 220-240V PFL NO-OPT, DD 3P 200-240V PFL NO-O- PT, DD 3P 200-240V PFL NO-OPT JA	*		1
52	SL4041491SC	SCREW 4 L=14		*		3
53	SL4030881SC	SCREW M3 L=8	FOR DD 1P 220-240V PFL NO-OPT	*		1
54	40087166	FRAME B	FOR DD 1P 220-240V CE PFL NO-OPT, DD 3P 200-240V PFL NO- -OPT, DD 3P 200-240- V PFL NO-OPT JA DD 1P 100-120V PFL NO-OPT JA_LA	*		1
55	40087165	FRAME A	FOR DD 1P 220-240V PFL NO-OPT	*		1
56	SL4041081SC	SCREW M4 L=10		*		10
57	40162977	FLT-CE PCB ASSY	FOR DD 1P 220-240V CE PFL NO-OPT	*		1
58	40102693	AC POWER SUPPLY CORD C	FOR DD 1P 220-240V PFL NO-OPT	*		1
59	40102979	AC POWER SUPPLY CORD F	FOR DD 3P 200-240V PFL NO-OPT JA	*		1
60	HN002460000	CORE		*		2
61	40171446	EC DECLARATION (BOX)	FOR DD 1P 220-240V CE PFL NO-OPT	*		1
62	CM600100201	WEEE INFORMATION SHEET	FOR DD 1P 220-240V CE PFL NO-OPT	*		1
63	40176444	IPM HEAT SHEET		*		1
64	SL4040681SC	COMBINATION SCREW M4X6	FOR DD 1P 220-240V CE PFL NO-OPT, DD 3P 200-240V PFL NO- -OPT, DD 3P 200-240- V PFL NO-OPT JA DD 1P 100-120V PFL NO-OPT JA_LA	*		5
65	HN002840000	CORES		*		2
66	40161412	REACTOR BOX ASSY 1P	FOR DD 1P 220-240V CE PFL NO-OPT	*		1
67	40088314	CONNECING ROD ASSY		*		1
68	M6102461DAA	AC INPUT CABLE ASM.(CE)	FOR DD 1P 220-240V CE PFL NO-OPT	*		1
69	KF000000080	SLO-BLO FUSE		*		1



SC-923

No.	Parts No.	Parts name	Remarks	Level	Cons	Qty
70	KF000000030	SLO-BLO FUSE		*		1
71	M4401471AA0	BOX ACCESSORIE PART A ASM.		*		1
72	MTSHJ100003	BOLT		*		3
73	NM6080002SC	NUT M8		*		3
74	WP0851846SC	WASHER 8.5X22.0X1.8		*		3
75	WS0820002KR	SPRING WASHER M8		*		3
76	SK3512001SE	WOOD SCREW D=5.1 L=20		*		2
77	MAO11532000	CORD STAPLE		*		5
78	40074444	CONTROL BOX BRACKET		*		3
79	40084716	RUBBER MOUNTING		*		3
80	WP0621036SP	WASHER		*		3
81	40171476	CTL_PCB_ASSY_CE	FOR DD 1P 220-240V CE PFL NO-OPT	*		1
82	SL4030881SC	SCREW M3 L=8		*		1
83	40171497	IPM HEAT SINK		*		1
84	SL4030881SC	SCREW M3 L=8		*		1
85	40162979	REACTOR BOX ACCESSORY	FOR DD 1P 220-240V CE PFL NO-OPT	*		1
86	MAO11532000	CORD STAPLE	FOR DD 1P 220-240V CE PFL NO-OPT	*		4
87	SK3512001SE	WOOD SCREW D=5.1 L=20	FOR DD 1P 220-240V CE PFL NO-OPT	*		4

HOW TO MAKE USE OF THIS PARTS LIST

1.As to "#01" and "#02" refer to the "Note" given at the bottom of the respective pages.

2.Codes on the "Qty" column

- Each numeral indicates the number of parts required.
- "0.1" and "2.5" indicate the length (in meters) of the respective parts.

3.Parentheses mean that the corresponding part is a subpart that constructs an assembly part.

4.Dotted lines on the Figures indicate assembly parts.

1. リストページの# 0 1、# 0 2の印は、ページ下の"注記"の説明を参照下さい。
2. 数量欄の数字は、個数を表し、0. 1、2. 5等の数値は、長さ（単位メートル）を表します。
3. 数量欄の（ ）は、組部品を構成している子部品であることを意味します。
4. イラストページの-----枠は、組構成であることを意味します。

NUMERICAL INDEX OF PARTS

PART NO	PAGE	REF NO.	PART NO	PAGE	REF NO.
40006202	2	21	CM300100302	4	45
40006207	2	22	CM300100402	4	42
40006208	2	23	CM300400602	4	46
40006212	2	25	CM600100101	4	44
40042130	2	18	CM600100201	4	61·62
40049426	2	24	HN002460000	4	60
40074444	6	78	HN002840000	4	65
40084716	6	79	KF000000030	6	69·70
40087139	4	40·57	KF000000080	4	69·70
40087153	2	13	KX000000210	2	34
40087154	2	14	KX000000230	2	36
40087156	2	19	KX000000280	4	43
40087157	2	31	M4401471AA0	6	71
40087165	4	54·55	M6102461DAA	4	68
40087166	4	54·55	M8002430000	2	33
40087167	2	30	MAO11532000	6	86
40087168	4	51	MTSHJ100003	6	72
40088311	2	11	NM6080002SC	6	73
40088314	4	67	SK3512001SE	6	87
40088315	2	28	SL4030881SC	4	84
40088316	4	39	SL4030881SC	6	84
40089563	4	38	SL4031281SC	4	48
40102693	4	58·59	SL4040681SC	2	64
40102979	4	58·59	SL4040681SC	4	64
40130582	2	37	SL4040881SC	4	49
40161412	4	66	SL4041081SC	2	56
40162977	4	40·57	SL4041081SC	4	56
40162979	6	85	SL4041091SC	2	15
40171446	4	61·62	SL4041491SC	4	52
40171467	2	16	SL4041681SC	2	32
40171468	2	1~5	SM4051001SC	2	35
40171469	2	1~5	SM8040612TP	2	26
40171470	2	1~5	SV4030601SR	2	27
40171472	2	1~5	WP0621036SP	6	80
40171473	2	1~5	WP0851846SC	6	74
40171475	2	6·81	WS0820002KR	6	75
40171476	6	6·81			
40171477	2	8~10			
40171478	2	8~10			
40171479	2	8~10			
40171497	6	83			
40176444	4	63			
40177066	2	17			
40177068	2	20			
CM300100003	4	47			