

MODEL : AB-1360

List No : 1680-01

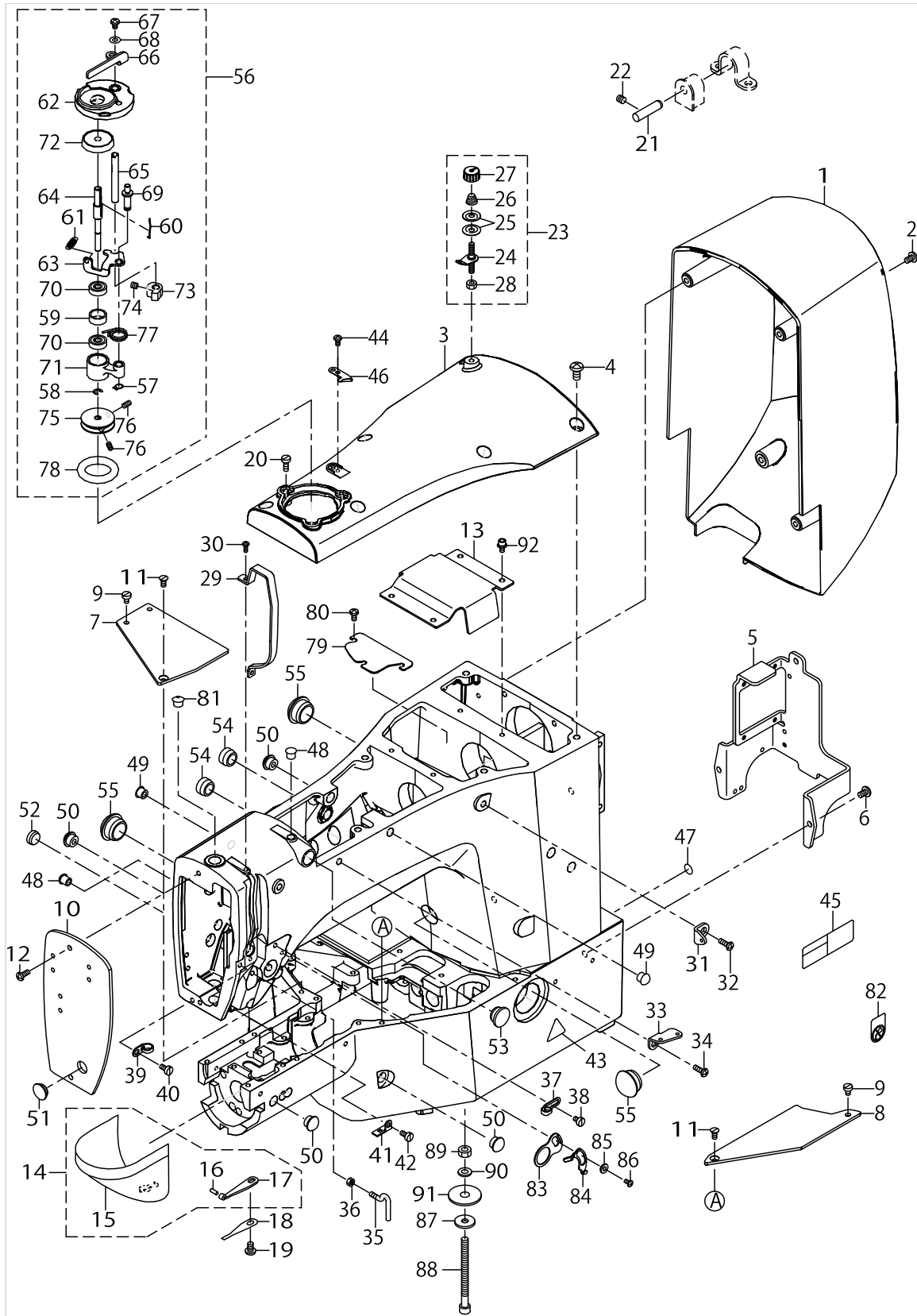
PARTS LIST

Published:11/07/2017

CONTENTS

FRAME & MISCELLANEOUS COVER COMPONENTS (1)	1
FRAME & MISCELLANEOUS COVER COMPONENTS (2)	5
MAIN SHAFT & NEEDLE BAR COMPONENTS	7
PRESSER LIFTER & WIPER COMPONENTS	11
SHUTTLE DRIVER SHAFT COMPONENTS.....	15
THREAD TENSION COMPONENTS	19
THREAD TRIMMER MECHANISM COMPONENTS.....	21
FEED MECHANISM COMPONENTS.....	25
CLOTH FEED COMPONENTS	29
TC CLAMP COMPONENTS	33
SENSOR COMPONENTS	35
THREAD STAND COMPONENTS.....	37
TABLE STAND COMPONENTS	39
LOOP PULL SUPPORT COMPONENTS.....	43
CONTROL BOX COMPONENTS	45
WIRING DIAGRAM	47
OPERATION PANEL COMPONENTS	51
ACCESSORIES PARTS COMPONENTS	53
MECHANISM & MISCELLANEOUS COVER COMPONENTS.....	55
Y MOVEMENT COMPONENTS.....	59
X MOVEMENT COMPONENTS.....	61
LOOP CLAMP COMPONENTS.....	65
FORK COMPONENTS	69
HEAT CUTTER COMPONENTS.....	71
SUB TABLE COMPONENTS	77
LOOP LOOSENER COMPONENTS.....	79
CLAMP FEED COMPONENTS.....	81
OPTIONAL PARTS COMPONENTS.....	85
LIST FOR INFORMATION OF CHANGE.....	87
HOW TO MAKE USE OF THIS PARTS LIST	88

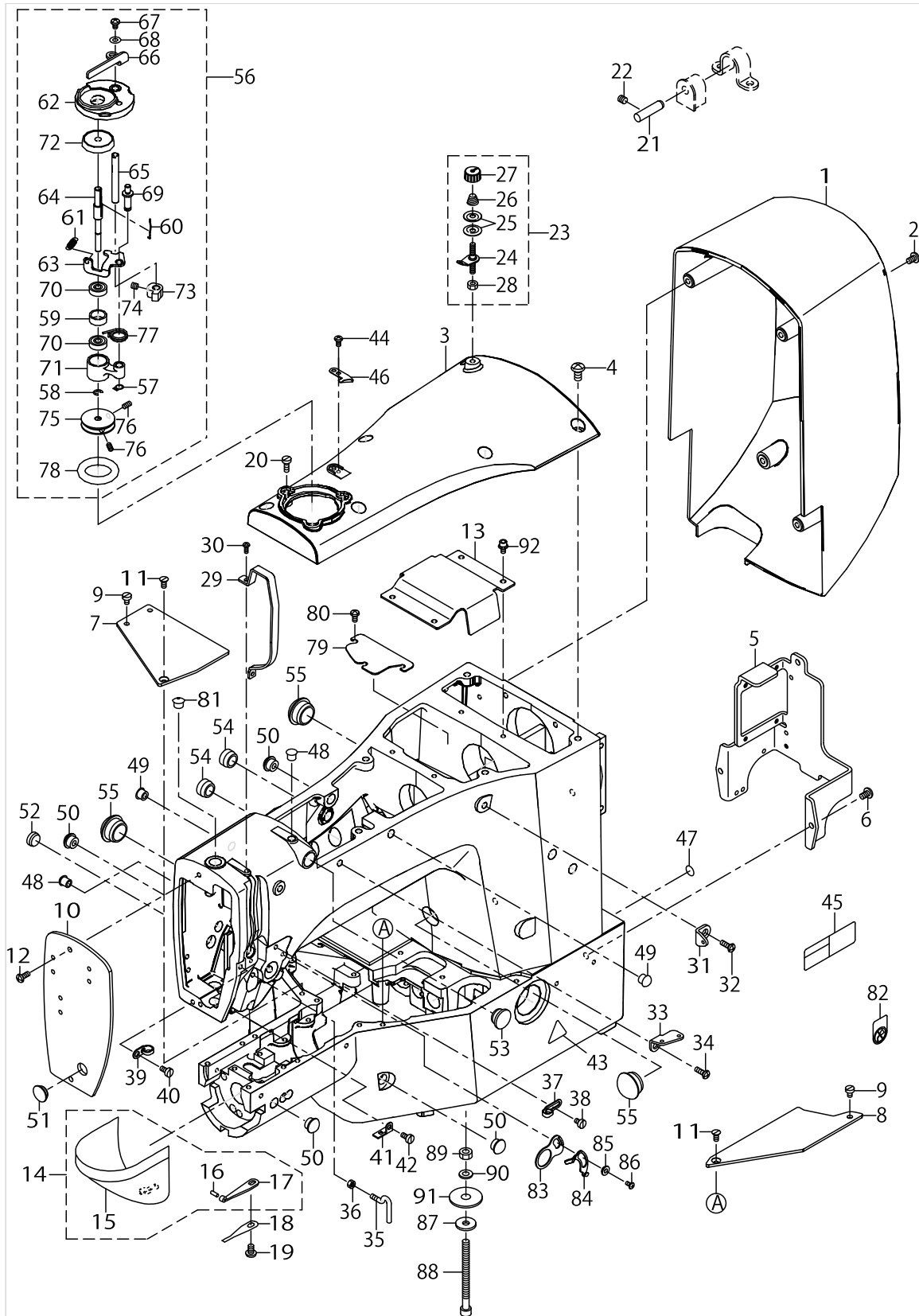
FRAME & MISCELLANEOUS COVER COMPONENTS (1)



FRAME & MISCELLANEOUS COVER COMPONENTS (1)

No.	Parts No.	Parts name	Remarks	Level	Cons	Qty
1	40006475	MOTOR COVER				1
2	SM5040855SN	SCREW				4
3	40006478	UPSIDE COVER				1
4	SM4061255SP	SCREW M6 L=12				6
5	40010404	PROTECTION PLATE				1
6	SM4050855SP	SCREW				3
7	70005238	BET_COVER_LEFT				1
8	40076004	BET COVER RIGHT				1
9	SM6040650TP	SCREW M4 L=6				3
10	40112387	FACE PLATE				1
11	SM1040650TP	SCREW				2
12	SM4041055SP	SCREW				2
13	40010405	CRANK ROD COVER				1
14	40104918	CYLINDER ARM CAP ASM.				1
15	13816855	CYLINDER ARM CAP		*		1
16	13508700	HOOK COVER PRESSER SPRING PIN		*		1
17	26221101	HOOK COVER PRESSER SPRING A		*		1
18	26221200	HOOK COVER PRESSER SPRING B				1
19	SM5040855SN	SCREW				1
20	SM6041150TP	SCREW M4 L=11				3
21	40009290	HINGE STUD				2
22	SM8060612TP	SCREW M6 L=6				4
23	14113468	BOBBIN THREAD TENSION ASM.				1
24	14113450	BOBBIN THREAD TENSION ROD ASM.		*		1
25	B3126012000	THREAD TENSION DISK		*		2
26	D7133555B00	CONNECTING ROD SPRING		*		1
27	11072402	THREAD TENSION NUT		*		1
28	NS6110310SP	NUT 11/64-40		*		1
29	26211607	BALANCE COVER				1
30	SM4030855SN	SCREW M3 L=8.0				2
31	40010414	THREAD GUIDE NO.1				1
32	SM4061255SP	SCREW M6 L=12				1
33	26211904	THREAD GUIDE PLATE				1
34	SM4061255SP	SCREW M6 L=12				1
35	40010571	L SHAPED THREAD GUIDE A				1
36	NM6040000SN	NUT M4				1
37	22920508	ARM THREAD GUIDE A				1
38	SM6040650TP	SCREW M4 L=6				1
39	13705108	TAKE-UP THREAD GUIDE B				1
40	SM6040860TP	SCREW M4 L=8				1
41	B1129210000	FRAME THREAD GUIDE(B)				1
42	SM6040860TP	SCREW M4 L=8				1
43	CM300200002	CAUTION LABEL(25)				1
44	SM4030601SN	SCREW M3X6				1
45	40102261	SAFETY LABEL S				1
46	10502300	THREAD CUTTER				1
47	22901805	GROUND MARK				1

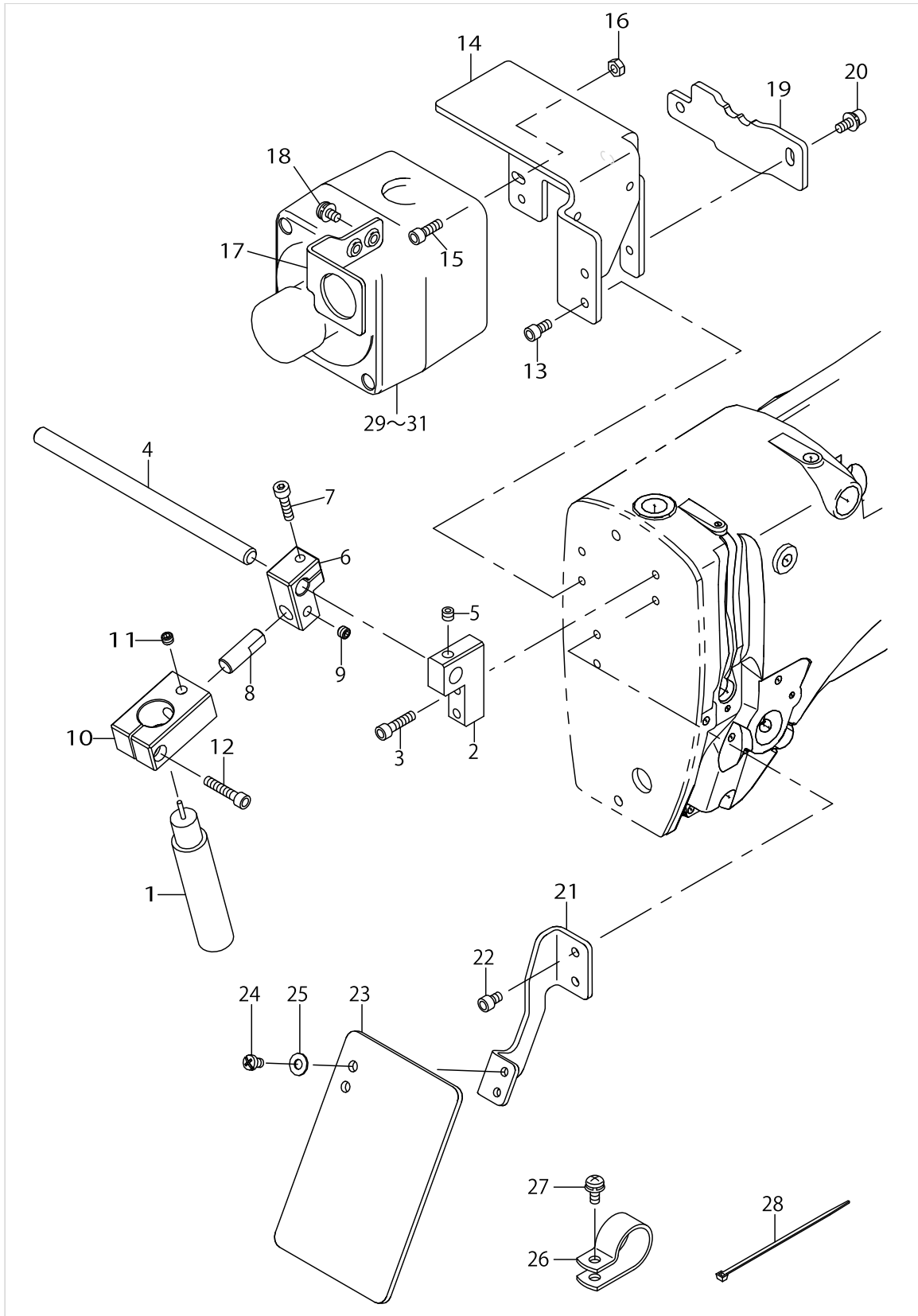
FRAME & MISCELLANEOUS COVER COMPONENTS (1)



FRAME & MISCELLANEOUS COVER COMPONENTS (1)

No.	Parts No.	Parts name	Remarks	Level	Cons	Qty
48	TA0750704R0	RUBBER PLUG				2
49	TA0850604R0	RUBBER PLUG				2
50	TA1050504R0	RUBBER PLUG				4
51	TA1250406R0	RUBBER PLUG D=12.5 L=4				1
52	TA1270502R0	RUBBER PLUG				1
53	TA1470704R0	RUBBER PLUG				1
54	TA1550902R0	PLUG				2
55	TA2100904R0	RUBBER PLUG				3
56	26260000	BOBBIN WINDER UNIT				1
57	RC0560711KP	RETAINING RING		*		1
58	RE0400000K0	E-RING 4		*		1
59	26260802	BTW BEARING SPACER		*		1
60	26261602	BOBBIN SPRING		*	☆	1
61	26261701	BTW SPRING		*		1
62	26260109	BTW BASE		*		1
63	26260208	BTW CAM PLATE		*		1
64	26260901	BTW SHAFT		*		1
65	26261008	BTW LEVER SHAFT		*		1
66	26261107	BTW LEVER		*		1
67	SM5040655SN	SCREW		*		1
68	WP0450826SC	WASHER 4.5X10X0.8		*		1
69	26260307	BTW BASE SHAFT		*		1
70	26261305	BTW BEARING		*		2
71	26260406	BTW SHAFT BASE		*		1
72	26261206	BTW SPACER		*		1
73	26260505	BTW CAM LEVER		*		1
74	SM8050502TP	SCREW M5 L=5		*		1
75	26260604	BTW WHEEL		*		1
76	SM8040802TP	SCREW M4X8		*		2
77	26260703	BTW TORSION SPRING		*		1
78	26261503	BTW WHEEL RUBBER		*	☆	1
79	40011928	CRANK ROD UNDER COVER				1
80	SM5040855SN	SCREW				2
81	22901409	NEEDLE BAR UPPER BUSH CAP				1
82	CM100100001	OIL INJECTION PROHIBITION LABEL				1
83	40028834	GUIDE PLATE				1
84	40090646	THB SENSOR CABLE ASSY				1
85	40028835	BUSHING				1
86	SM0030601SC	SCREW M3X0.5 L=6				1
87	WP0612056SD	WASHER 6.1X18.5X2				1
88	SM6067552TP	HEXAGONAL-HOLE BOLT M6 L=75				1
89	NM6060001SC	NUT M6				1
90	WS0610002KN	SPRING WASHER 6.1X12.2X1.5				1
91	WP0852086SC	WASHER M8				1
92	SL6040892TN	BOLT				4

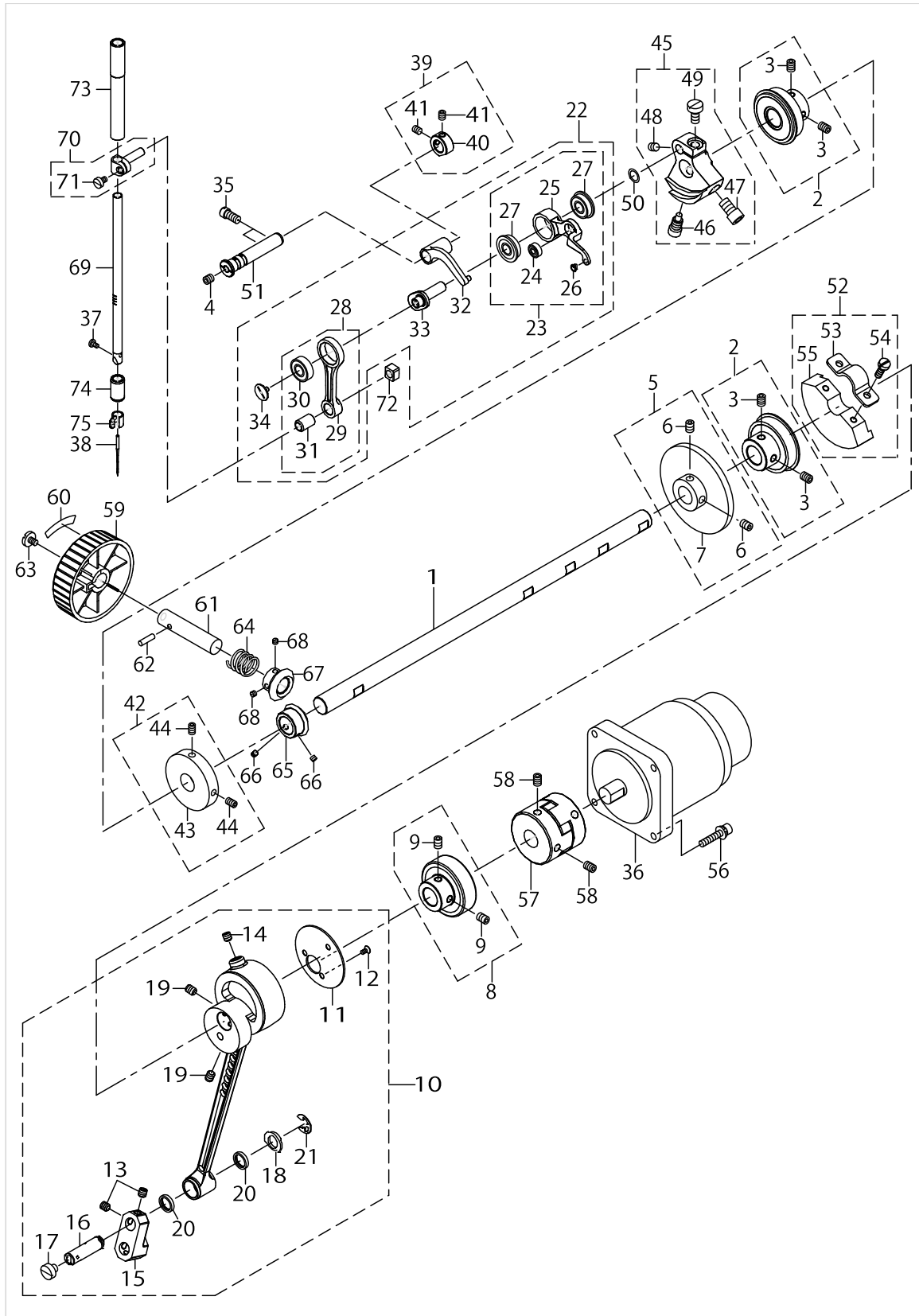
FRAME & MISCELLANEOUS COVER COMPONENTS (2)



FRAME & MISCELLANEOUS COVER COMPONENTS (2)

No.	Parts No.	Parts name	Remarks	Level	Cons	Qty
1	40090637	LED MARKING				1
2	40091171	MARKER FIXED ROD HOLDER				1
3	SM6041602TP	SCREW M4X0.7 L=16				2
4	20104402	HANDLE				1
5	SM8050412TP	SCREW M5 L=4				1
6	40091172	MARKER FIXED BLOCK				1
7	SM6041602TP	SCREW M4X0.7 L=16				1
8	40091173	MARKER FIXED SUB ROD				1
9	SM8050412TP	SCREW M5 L=4				1
10	40067813	MARKER BRACKET				1
11	SM8050412TP	SCREW M5 L=4				1
12	SM6042002TP	SCREW M4X0.7 L=20				1
13	SM6040802TP	SCREW M4X0.7 L=8				2
14	40091334	OFF SW BOX BRACKET				1
15	SM6041202TP	SCREW M4X0.7 L=12				2
16	NM6040001SC	NUT M4				2
17	40091335	OFF SW BOX GND PLATE				1
18	SL4040891SC	SCREW M4 L=8				2
19	40091336	OFF SW SUB BRACKET				1
20	SL6041092TN	SCREW				2
21	40091930	SAFTETY BRACKET				1
22	SM6040802TP	SCREW M4X0.7 L=8				2
23	26037200	SAFETY PLATE				1
24	SM4040655SP	SCREW M4 L=6				2
25	WP0450801SD	WASHER 4.5X10X0.8				2
26	HX00150000K	CABLE CLIP				3
27	SL4041091SC	SCREW M4 L=10				2
28	EA9500B0100	CABLE BAND				2
29	HA006280000	SWITCH				1
30	HA006280010	SWITCH COVER				1
31	HA006280020	SWITCH PLATE				1

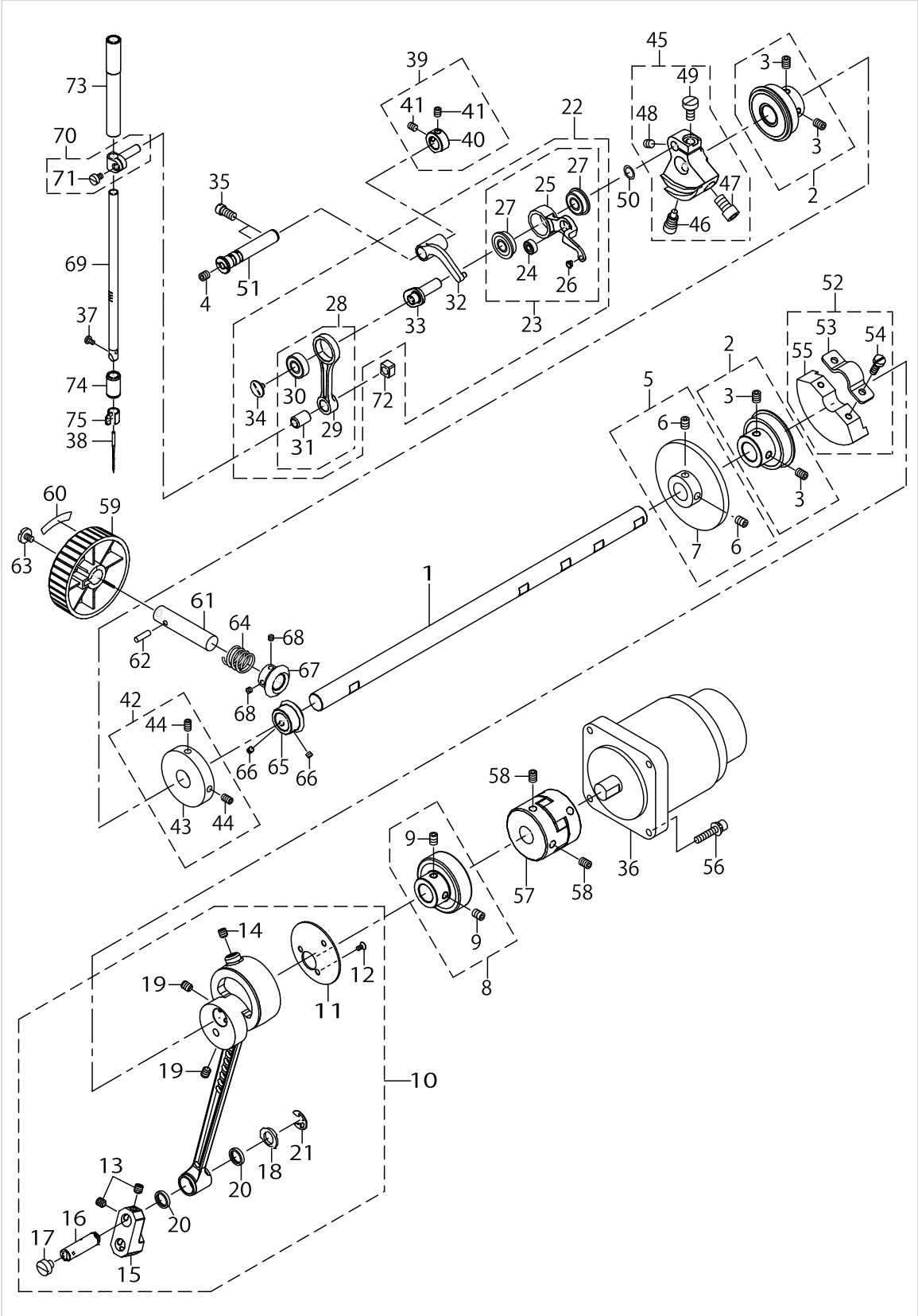
MAIN SHAFT & NEEDLE BAR COMPONENTS



MAIN SHAFT & NEEDLE BAR COMPONENTS

No.	Parts No.	Parts name	Remarks	Level	Cons	Qty
1	40010572	MAIN SHAFT				1
2	40110836	FRONT BEARING BUSH ASM.				2
3	40010417	BEARING BUSH SCREW		*		2
4	SM80606A2TP	SCREW M6 L=6				1
5	40111911	MAIN SHAFT WHEEL ASM.				1
6	40010417	BEARING BUSH SCREW		*		2
7	40111425	MAIN SHAFT WHEEL		*		1
8	40110838	BACK BEARING BUSH ASM.				1
9	40010417	BEARING BUSH SCREW		*		2
10	40112990	CRANK ROD ALL ASM.				1
11	40110825	CRANK ROD SUPPORT PLATE		*		1
12	SM1030601SP	SCREW M3 L=6		*		3
13	SM8480652TP	SCREW		*		2
14	SM8480652TP	SCREW		*		1
15	40112993	OSCILLATOR ARM		*		1
16	40030939	OSCILLATOR PIN		*		1
17	SM6060550TP	SCREW M6 L=4.5		*		1
18	40026818	WASHER		*		1
19	SM8060812TP	SCREW M6 L=8		*		2
20	10108009	OIL SEAL		*		2
21	RE0800000K0	E-SHAPED SNAP RING (8MM)		*		1
22	40006923	THREAD TAKE UP B COMPL.				1
23	40006924	THREAD TAKE UP LEVER B ASM.		*		1
24	SB104001600	BEARING		*		1
25	40006925	THREAD TAKE UP LEVER B		*		1
26	B1908505000	THREAD PASS BUSH		*		1
27	SB108002200	BEARING		*		2
28	40006534	NEEDLE BAR CRANK ROD ASM.		*		1
29	40006535	NEEDLE BAR CRANK ROD		*		1
30	SB108002300	BEARING		*		1
31	22891006	NEEDLE BAR CRANK ROD METAL		*		1
32	40006532	THREAD TAKE UP CRANK		*		1
33	40006926	NEEDLE ROD CRANK B		*		1
34	B1903552000	LEFT SCREW		*		1
35	40010470	SHUTTLE ASM. SCREW				2
36	40028015	AC SERVO MOTOR				1
37	SM7030550TP	SCREW M3 L=4.5			☆	1
38	MDP170B1400	NEEDLE DPX17 #14			☆	1
39	40110841	THRUST COLLAR ASM.				1
40	40110842	THRUST COLLAR		*		1
41	SM80506A2TP	SCREW M5 L=6		*		2
42	40010533	BTW DRIVING WHEEL ASM.				1
43	40010534	BTW DRIVING WHEEL		*		1
44	40010535	DRIVING WHEEL SCREW		*		2
45	40010428	COUNTER WEIGHT B ASM.				1
46	40010424	COUNTER WEIGHT SCREW A		*		1
47	40010425	COUNTER WEIGHT SCREW B		*		1

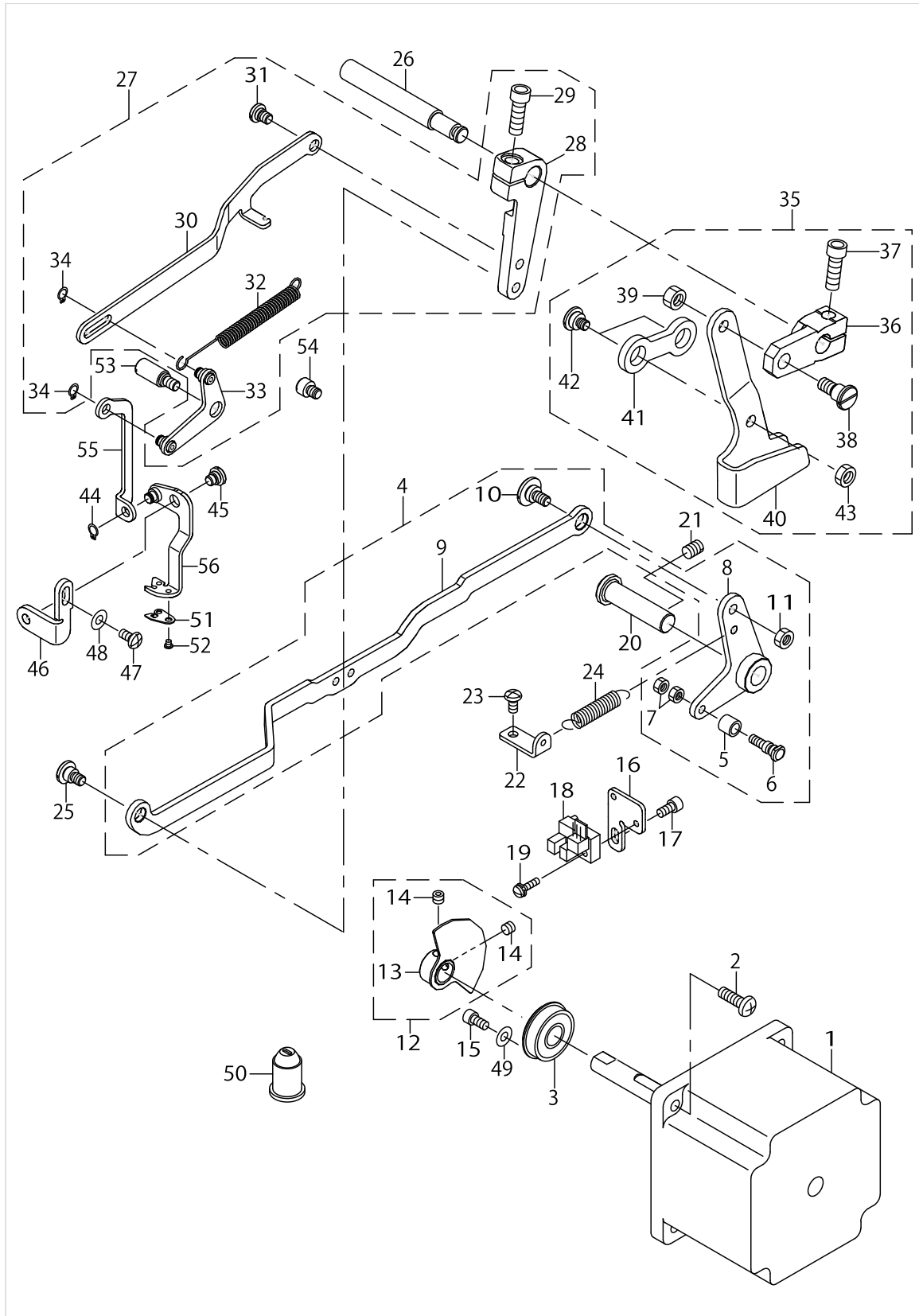
MAIN SHAFT & NEEDLE BAR COMPONENTS



MAIN SHAFT & NEEDLE BAR COMPONENTS

No.	Parts No.	Parts name	Remarks	Level	Cons	Qty
48	40010426	COUNTER WEIGHT SCREW C		*		1
49	40010427	COUNTER WEIGHT SCREW D		*		1
50	WP0820516SP	WASHER 11.6X8.2X0.6				1
51	40112861	THREAD_TAKE_UP_CRANK_SHAFT_D				1
52	40110812	CRANK BALANCER ASM.				1
53	40010439	CRANK BALANCER FIX PLATE		*		1
54	40010440	CRANK BALANCER FIX PLATE SCREW		*		2
55	40110813	CRANK BALANCER		*		1
56	SL6052592TN	BOLT				4
57	23604309	COUPLING				1
58	SM8060812TP	SCREW M6 L=8				4
59	B1212210D00	PULLEY				1
60	B1144210000	REVOLVING DIRECTION LABEL				1
61	26500306	HAND PULLEY SHAFT				1
62	PS0400142KH	SPRING PIN 4X14				1
63	A123050000A	SET-SCREW				1
64	GAF01007000	SPRING				1
65	40006515	GEAR A				1
66	SM8040310SS	SCREW M4 L=3				2
67	40006516	GEAR B				1
68	SM8040310SS	SCREW M4 L=3				2
69	40010573	NEEDLE BAR				1
70	B14115520A0	NEEDLE BAR CONNECTING ASM.				1
71	SS6090670TP	SCREW 9/64-40 L=6		*		1
72	B1414555000	SLIDE BLOCK				1
73	40010441	NEEDLE ROD METAL				1
74	40010442	NEEDLE ROD LOWER METAL				1
75	40010574	THREAD GUIDE				1

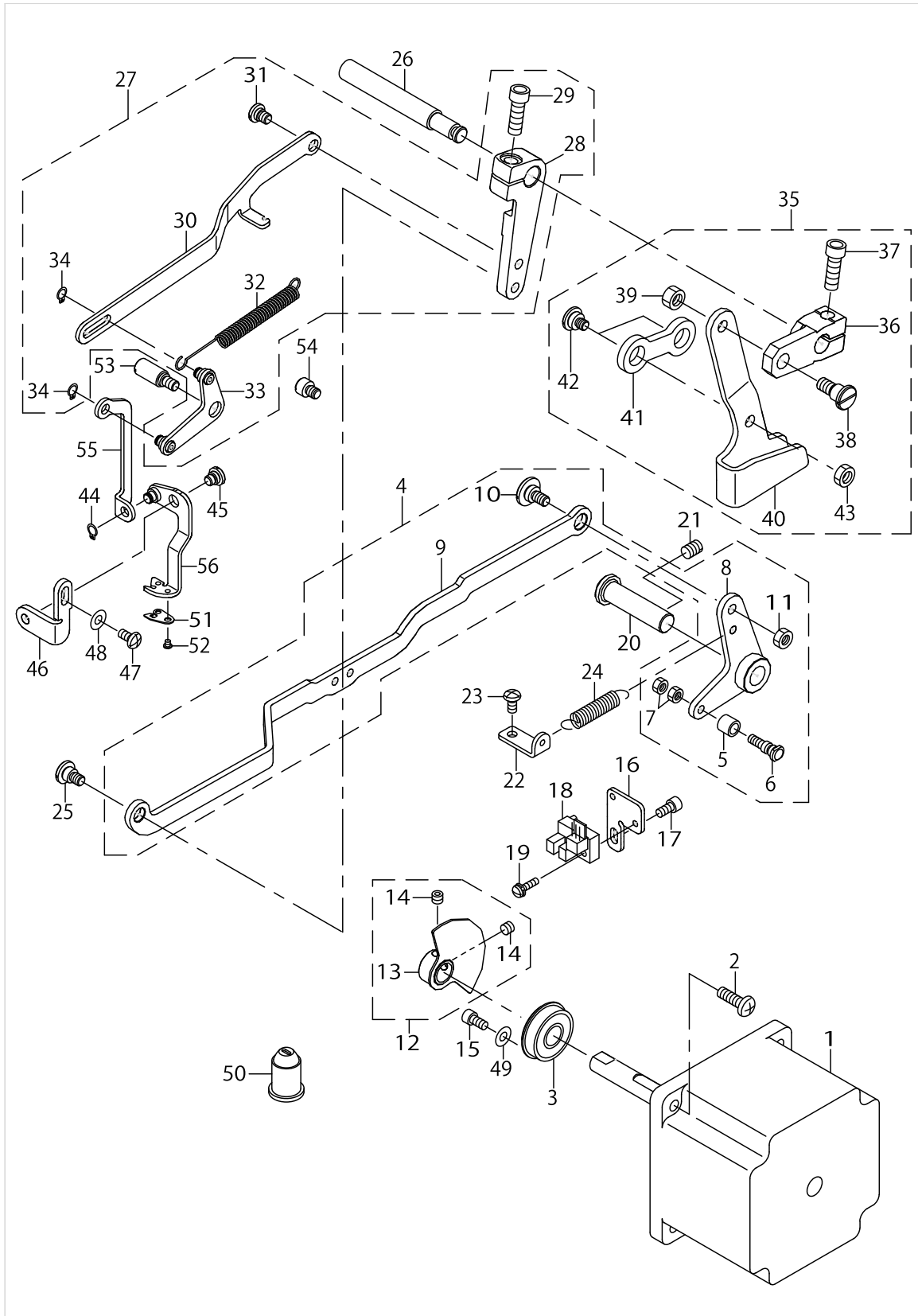
PRESSER LIFTER & WIPER COMPONENTS



PRESSER LIFTER & WIPER COMPONENTS

No.	Parts No.	Parts name	Remarks	Level	Cons	Qty
1	40090628	PRESSER LIFT MOTOR				1
2	SM4051655SP	SCREW M5 L=16				4
3	SB110002400	BEARING				1
4	40104902	LIFTER_LINK_ASM				1
5	40004254	UTT CAM ROLLER		*		1
6	40040256	CAM ROLLER SHAFT		*		1
7	NM6040001SP	NUT M4X0.7		*		2
8	40006661	LIFTER LINK A ASM.		*		1
9	40006665	LIFTER LINK B		*		1
10	SD0800327TP	HINGE SCREW D=8 H=3.2		*		1
11	NM6050001SP	NUT M5		*		1
12	40104921	PF_SENSOR_SLIT_ASSY				1
13	40006666	SENSOR SLIT ASM.		*		1
14	SM8050402TP	SCREW		*		2
15	SM6040802TP	SCREW M4X0.7 L=8				1
16	40010443	SENSOR INSTALLING BASE				1
17	SM6040802TP	SCREW M4X0.7 L=8				1
18	HD00057000A	PHOTO SENSOR				1
19	SL4031291SC	SCREW M3X12				1
20	40006716	THREAD TRIMMER SHAFT				1
21	SM8060812TP	SCREW M6 L=8				1
22	40023831	SPRING RACK				1
23	SM4040855SP	SCREW				1
24	26226209	SPRING				1
25	SD0700406TP	HINGE SCREW D=7 H=4				1
26	40083882	CONNECTING SHAFT				1
27	40104899	WIPER_CONNECTING_ARM_ASM_ST				1
28	40006671	CONNECTING ARM		*		1
29	SM6061802TP	SCREW M6 L=18		*		1
30	40010460	WIPER CONNECTING LINK		*		1
31	SD0600206TP	HINGE SCREW D=6 H=2		*		1
32	26218008	SPRING		*		1
33	40010451	WIPER CONNECTING ARM ASM.		*		1
34	RC0470611KP	RETAINING RING 4.7		*		2
35	40104898	LOWERING ARM_ASM				1
36	40008693	LOWERING ARM		*		1
37	SM6061802TP	SCREW M6 L=18		*		1
38	SD0790606TP	HINGE SCREW D=7.94 H=6		*		1
39	NM6060001CP	NUT M6		*		1
40	40010450	LOWERING FOOT		*		1
41	14104400	CONNECTING LINK		*		1
42	SD1000406TP	HINGE SCREW D=10 H=4		*		2
43	NM6060003SC	NUT M6		*		1
44	RC0470611KP	RETAINING RING 4.7				1
45	SD0640216TP	HINGE SCREW D=6.35 H=2.1				1
46	40006678	WIPER BASE PLATE				1
47	SM4040855SP	SCREW				1

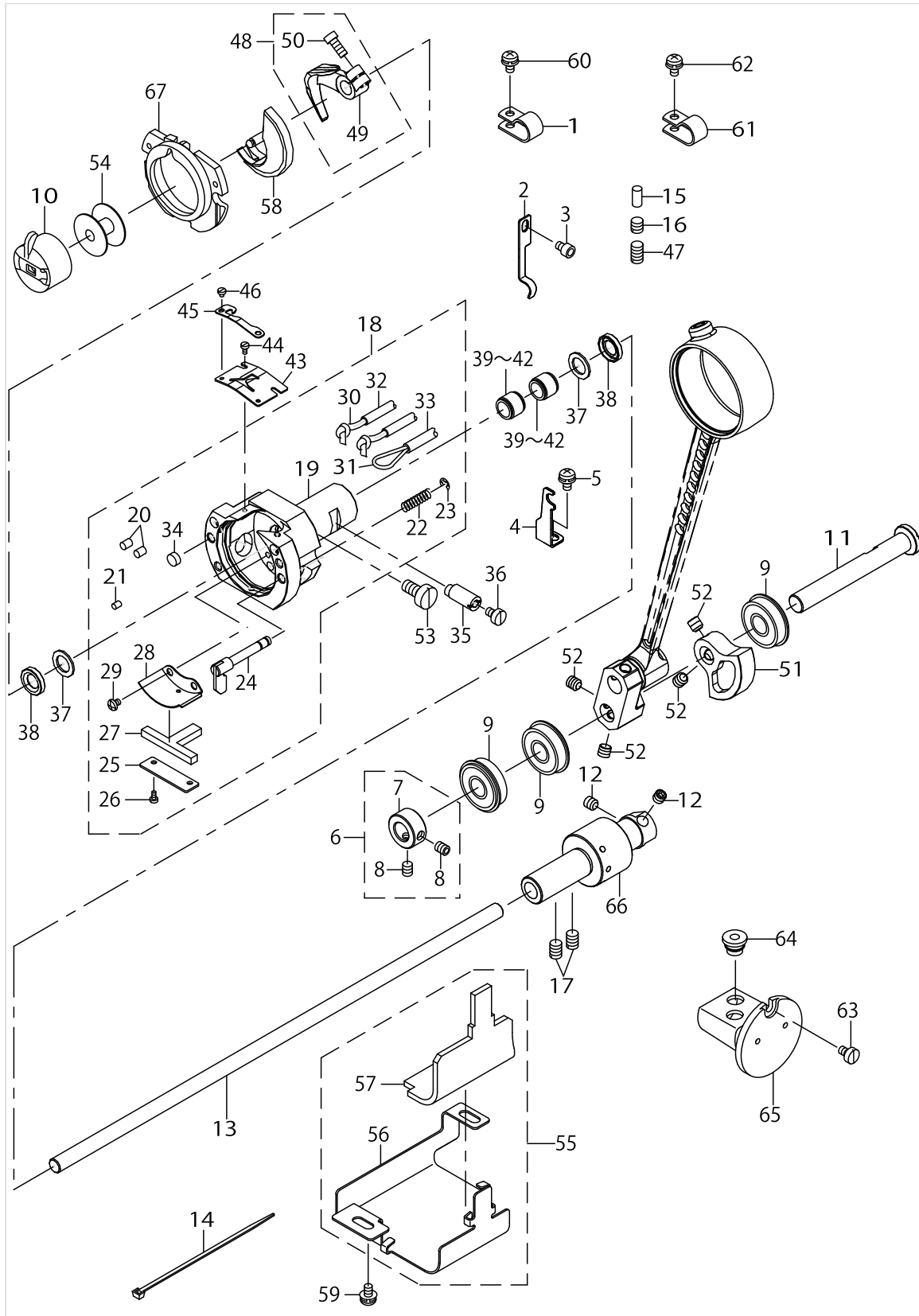
PRESSER LIFTER & WIPER COMPONENTS



PRESSER LIFTER & WIPER COMPONENTS

No.	Parts No.	Parts name	Remarks	Level	Cons	Qty
48	WP0450801SP	WASHER				1
49	WP0450801SP	WASHER				1
50	13509807	OIL SHIELD CAP				1
51	40091929	WIPER PLATE A			☆	1
52	SS5060310SP	SCREW 3/32-56 L=2.8			☆	1
53	40010455	WIPER CONNECTING LINK SHAFT				1
54	40010457	WIPER STOPPER				1
55	40006937	WIPER CONNECTING PLATE B				1
56	40033047	WIPER ASM.				1

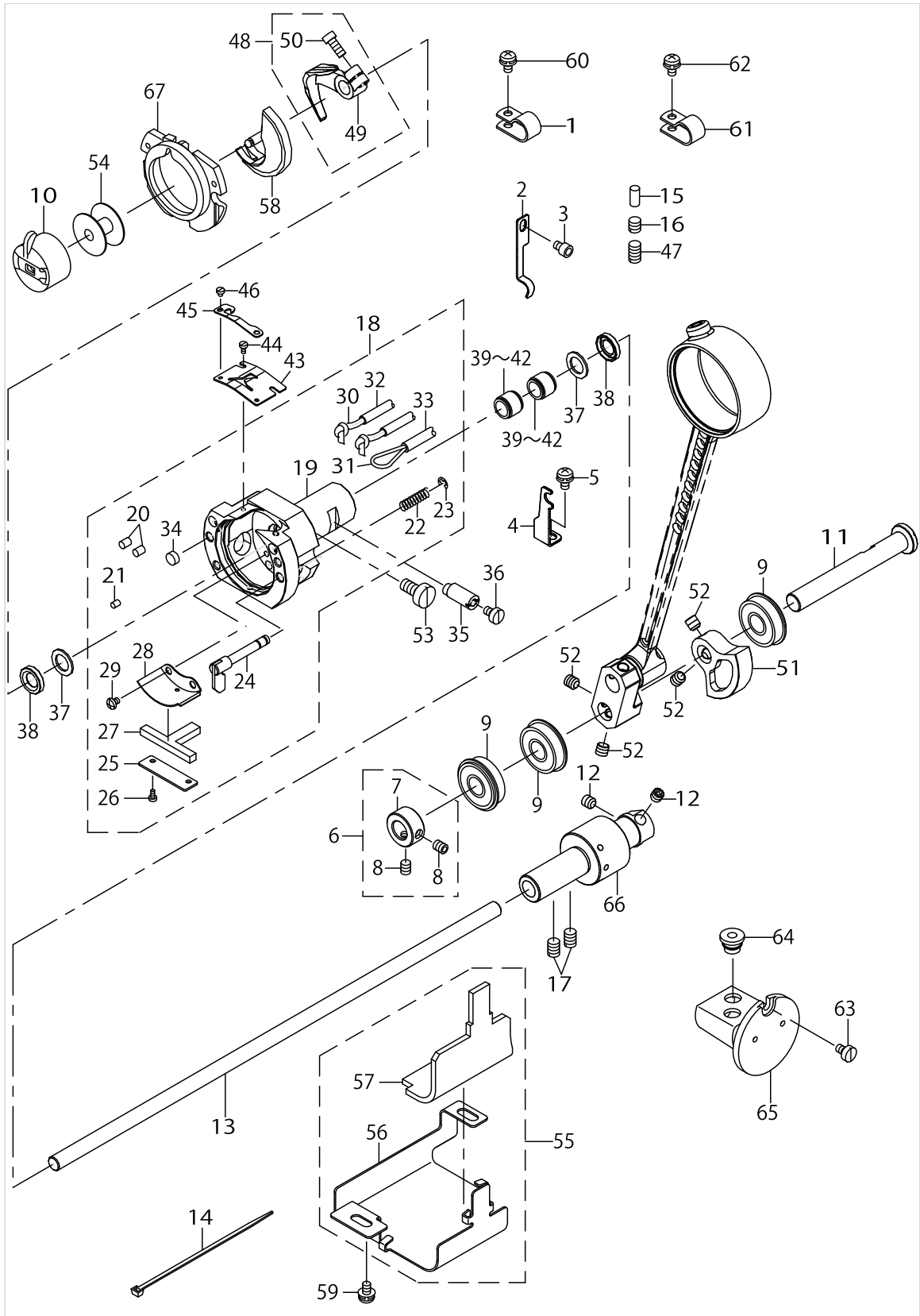
SHUTTLE DRIVER SHAFT COMPONENTS



SHUTTLE DRIVER SHAFT COMPONENTS

No.	Parts No.	Parts name	Remarks	Level	Cons	Qty
1	HX00150000D	CABLE CLIP				1
2	40012127	OIL PIPE HOLDER				1
3	SM6040502TP	SCREW M4X0.7 L=5				1
4	40013721	TUBE CLAMP				1
5	SL4040891SC	SCREW M4 L=8				1
6	40010464	THRUST COLLAR ASM.				1
7	40010467	THRUST COLLAR		*		1
8	40010469	THRUST COLLAR SCREW		*		2
9	SB110002400	BEARING				3
10	B18289800BB	BOBBIN CASE ASM. (RACING PREVE)			☆	1
11	40112994	OSCILLATOR SHAFT				1
12	SM8060612TP	SCREW M6 L=6				2
13	40010575	LOWER SHAFT				1
14	EA9500B0100	CABLE BAND				2
15	40006578	OIL WICK PRESSER				1
16	SM8060610TP	SCREW				1
17	SM8060812TP	SCREW M6 L=8				2
18	40006573	SHUTTLE ASM.				1
19	40089365	SHUTTLE		*		1
20	B1820210D00	SHUTTLE OIL FELT A		*		2
21	B1821210D00	SHUTTLE OIL FELT B		*		1
22	B1822215P00	INNER HOOK PRESSER SPRING		*		2
23	RE0300000K0	E-RING 3		*		2
24	26501858	INNER-HOOK-PRESSER ASM.		*		2
25	14104004	ONCE THROUGH OIL FELT PRESSER		*		1
26	SM6020460TP	SCREW M2 L=3.5		*		2
27	14103907	SHUTTLE ONCE THROUGH OIL FELT		*		1
28	40006577	SHUTTLE LUBRICATING PLATE		*		1
29	SM4030455SP	SCREW		*		2
30	CQ200000000	OIL WICK		*		2.6
31	CQ200000000	OIL WICK		*		1.4
32	23630007	TUBE		*		1
33	23630007	TUBE		*		0.6
34	13529607	SHUTTLE PACKING		*		2
35	40010471	SHUTTLE RACE ADJUSTING SHAFT				1
36	SM6040650TP	SCREW M4 L=6				1
37	40010472	SHUTTLE BEARING RING				2
38	40110856	SUTTLE OIL SEAL				2
39	SB30800100A	BEARING	SELECTIVE PARTS			2
40	SB30800100B	BEARING	SELECTIVE PARTS			2
41	SB30800100C	BEARING	SELECTIVE PARTS			2
42	SB30800100D	BEARING	SELECTIVE PARTS			2
43	40036117	SHUTTLE UPPER SPRING				1
44	SM6020460TP	SCREW				2
45	40036118	LOWER THREAD HOLDER				1
46	SM6020250TP	SCREW				2
47	SM8061050TP	SCREW				1

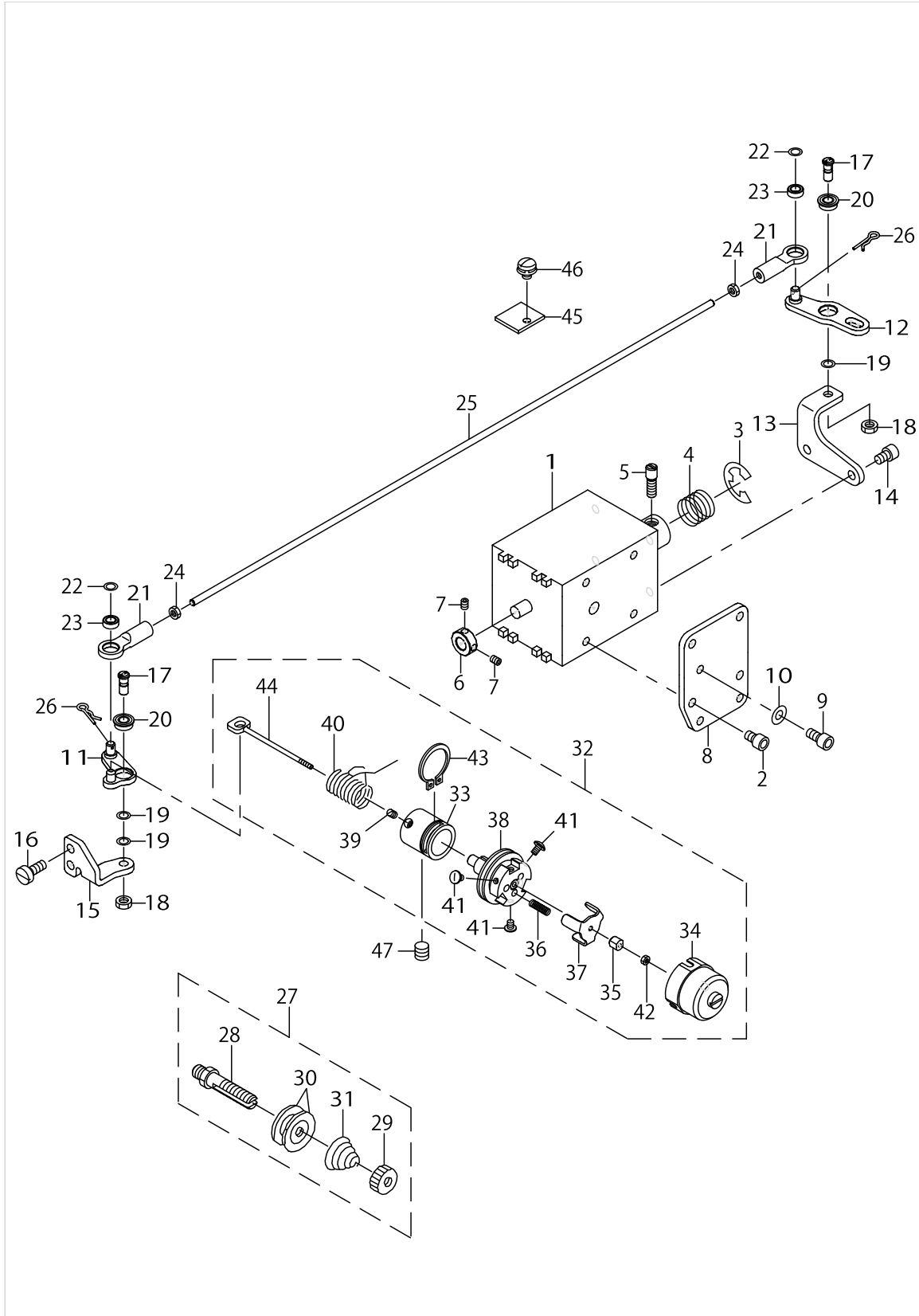
SHUTTLE DRIVER SHAFT COMPONENTS



SHUTTLE DRIVER SHAFT COMPONENTS

No.	Parts No.	Parts name	Remarks	Level	Cons	Qty
48	40011512	DRIVER ASM.				1
49	40011511	SHUTTLE DRIVER		*		1
50	SS6121212TP	SCREW 3/16-28 L=12.0		*		1
51	40110827	OSCILLATOR				1
52	SM8480652TP	SCREW				4
53	40010470	SHUTTLE ASM. SCREW				1
54	13812102	BOBBIN			☆	1
55	40010473	LOWER SHAFT GEAR COVER ASM.				1
56	40010474	LOWER SHAFT GEAR COVER		*		1
57	40010475	LOWER SHAFT GEAR FELT		*		1
58	40006580	SHUTTLE			☆	1
59	SL4040891SC	SCREW M4 L=8				2
60	SL4040891SC	SCREW M4 L=8				1
61	HX00150000B	CABLE CLIP				2
62	SL4040891SC	SCREW M4 L=8				2
63	SM6040650TP	SCREW M4 L=6				1
64	40006840	RUBBER BUSH				2
65	40006836	OIL TANK ASM.				1
66	40110830	LOWER SHAFT GEAR ASM.				1
67	14103352	INNER HOOK PRESSER ASM. B				1

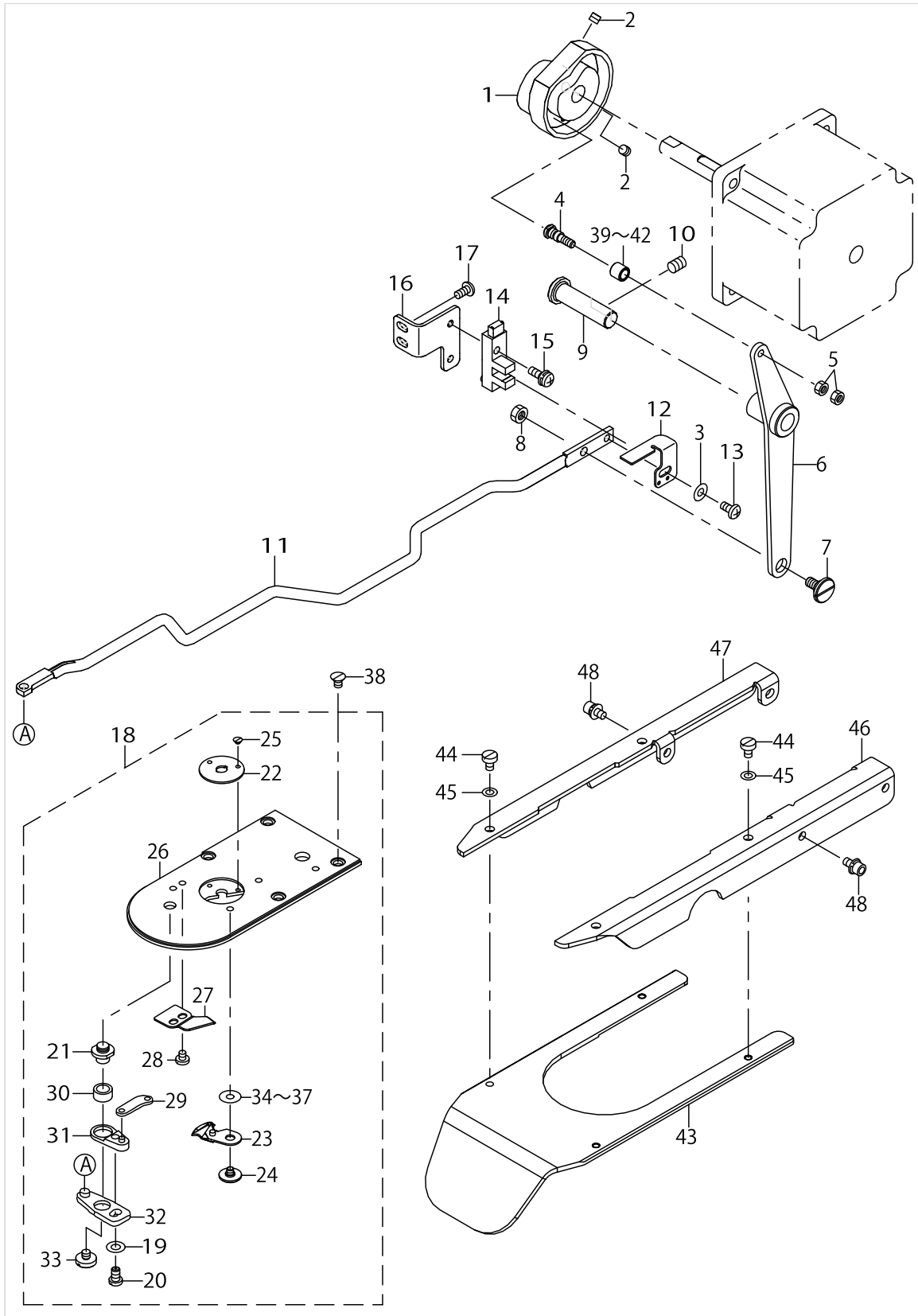
THREAD TENSION COMPONENTS



THREAD TENSION COMPONENTS

No.	Parts No.	Parts name	Remarks	Level	Cons	Qty
1	40006628	AT SOLENOID				1
2	SM6040602TP	SCREW M4 L=6				4
3	RE0900000K0	E-RING 9				1
4	40006625	SPRING				1
5	40006617	AT SOL PIN				1
6	40010477	AT SOL COLLAR				1
7	SM8030412TP	SCREW				2
8	40010479	AT PLATE				1
9	SM6040802TN	SCREW				2
10	WP0430801SC	WASHER 4.3X9X0.8				2
11	40010482	AT DRIVE LINK(F) ASM.				1
12	40010492	AT DRIVE LINK(R) ASM.				1
13	40010495	AT PIVOT BASE(R)				1
14	SM6040602TP	SCREW M4 L=6				2
15	40010486	AT PIVOT BASE(F)				1
16	SM6041050TP	SCREW M4 L=10				2
17	40010487	AT PIVOT SCREW				2
18	40010488	AT PIVOT NUT				2
19	40010489	AT PIVOT SCREW WASHER				3
20	40010490	AT PIVOT BEARING				2
21	40010497	AT JOINT				2
22	40010489	AT PIVOT SCREW WASHER				2
23	40010498	AT JOINT BEARING				2
24	40010499	AT JOINT NUT				2
25	40010500	AT CONNECTION BAR				1
26	40006622	AT SNAP PIN				2
27	40010503	THREAD TENSION 1 ASM.				1
28	40010504	THREAD TENSION SHAFT		*		1
29	22928808	NUT		*		1
30	22921506	THREAD TENSION DISK		*		2
31	26218602	FIRST THREAD TENSION SPRING		*		1
32	40010508	THREAD TENSION 2 ASM.				1
33	40010510	THREAD TENSION POST BASE		*		1
34	40010511	DISK STOPPER HOLDER CAP		*		1
35	40010512	THREAD TENSION SHAFT COLLAR		*		1
36	40010513	DISK STOPPER SP		*		3
37	40010514	DISK STOPPER		*		1
38	40010515	ASSY THREAD TENSION POST		*		1
39	40010478	AT SOL COLLAR SCREW		*		1
40	22921605	THREAD TAKE-UP SPRING		*	☆	1
41	40010521	HOLD CAP SCREW		*		3
42	40010522	SHAFT NUT		*		1
43	40010523	POST BASE C RING		*		1
44	40010509	THREAD TENSION SHAFT		*		1
45	40013967	AT-FELT				1
46	SL4040681SC	SCREW M4 L=6				1
47	SM8061612TP	SCREW M6X16				1

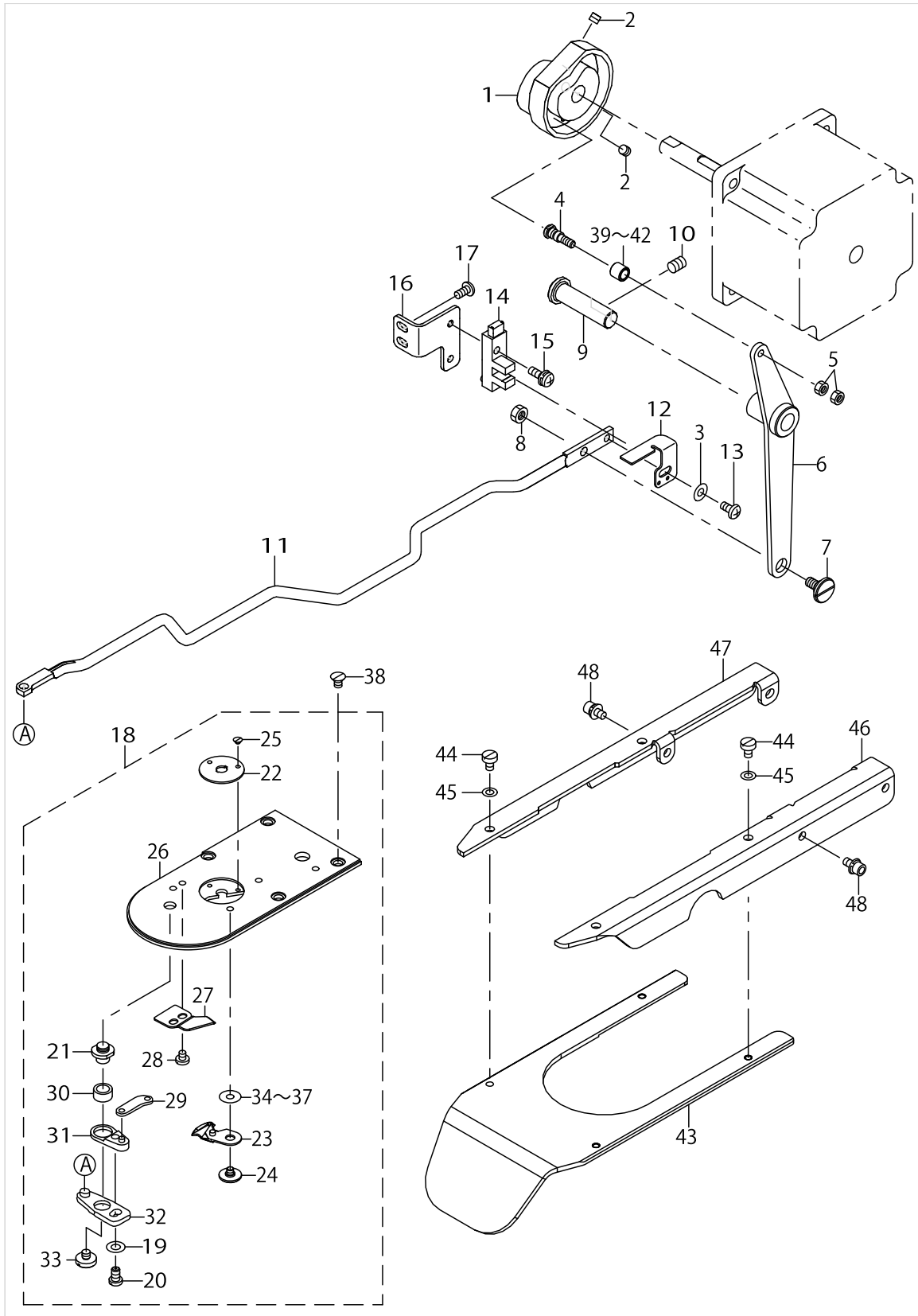
THREAD TRIMMER MECHANISM COMPONENTS



THREAD TRIMMER MECHANISM COMPONENTS

No.	Parts No.	Parts name	Remarks	Level	Cons	Qty
1	40006711	THREAD TRIMMER CAM				1
2	SM8050592TP	SCREW				2
3	WP0450801SP	WASHER				1
4	40040256	CAM ROLLER SHAFT				1
5	NM6040001SP	NUT M4X0.7				2
6	40006712	THREAD TRIMMER LINK ASM.				1
7	SD0800327TP	HINGE SCREW D=8 H=3.2				1
8	NM6050001SP	NUT M5				1
9	40006716	THREAD TRIMMER SHAFT				1
10	SM8060812TP	SCREW M6 L=8				1
11	40006717	CONNECTING BAR				1
12	40010525	THREAD TRIMMER SENSOR SLIT				1
13	SM4040855SP	SCREW				1
14	HD002230000	PHOTO SENSOR				1
15	SL4041291SC	SCREW M4 L=12				1
16	40010526	THREAD TRIMMER SENSOR BASE				1
17	SM4040855SP	SCREW				2
18	70005454	NEEDLE PLATE ASM.				1
19	WP0450846SP	WASHER		*		1
20	SS7110740TP	SCREW 11/64-40 L=7		*		1
21	B2417280000	THREAD CUTTER LEVER SHAFT		*		1
22	B242628000B	NEEDLE HOLE GUIDE B		*	☆	1
23	B2421210AA0	MOVING KNIFE COMPL.		*	☆	1
24	B2417210000	MOVING KNIFE HINGE SCREW		*		1
25	SS1060210TP	SCREW 3/32-56 L=2.2		*		2
26	40006721	NEEDLE PLATE		*		1
27	B2424210000	COUNTER KNIFE		*	☆	1
28	SS7090410SP	SCREW 9/64-40 L=3.5		*		2
29	B2418280000	MOVING KNIFE LINK		*		1
30	B2416280000	THREAD CUTTING LEVER RING		*		1
31	B24152800A0	THREAD CUTTER LEVER ASM. SMALL		*		1
32	B24142800A0	THREAD CUTTER LEVER ASM. LARGE		*		1
33	SS6110430TP	SCREW 11/64-40 L=4.0		*		1
34	B242328000A	MOVING KNIFE WASHER A	SELECTIVE PARTS	*		1
35	B242328000B	MOVING KNIFE WASHER B	SELECTIVE PARTS	*		1
36	B242328000C	MOVING KNIFE WASHER C	SELECTIVE PARTS	*		1
37	B242328000D	MOVING KNIFE WASHER D	SELECTIVE PARTS	*		1
38	SM1040650TP	SCREW M4 L=6				4
39	23517501	NEEDLE CAM ROLLER A	SELECTIVE PARTS			1
40	23517600	NEEDLE CAM ROLLER B	SELECTIVE PARTS			1
41	23517709	NEEDLE CAM ROLLER C	SELECTIVE PARTS			1
42	23517808	NEEDLE CAM ROLLER D	SELECTIVE PARTS			1
43	40110721	NEEDLE_PLATE_SUPPORT				1
44	SM6450610TP	SCREW				4
45	WP0430800SC	WASHER M4				4
46	40110722	NEEDLE_PLATE_BR_R				1
47	40110723	NEEDLE_PLATE_BR_L				1

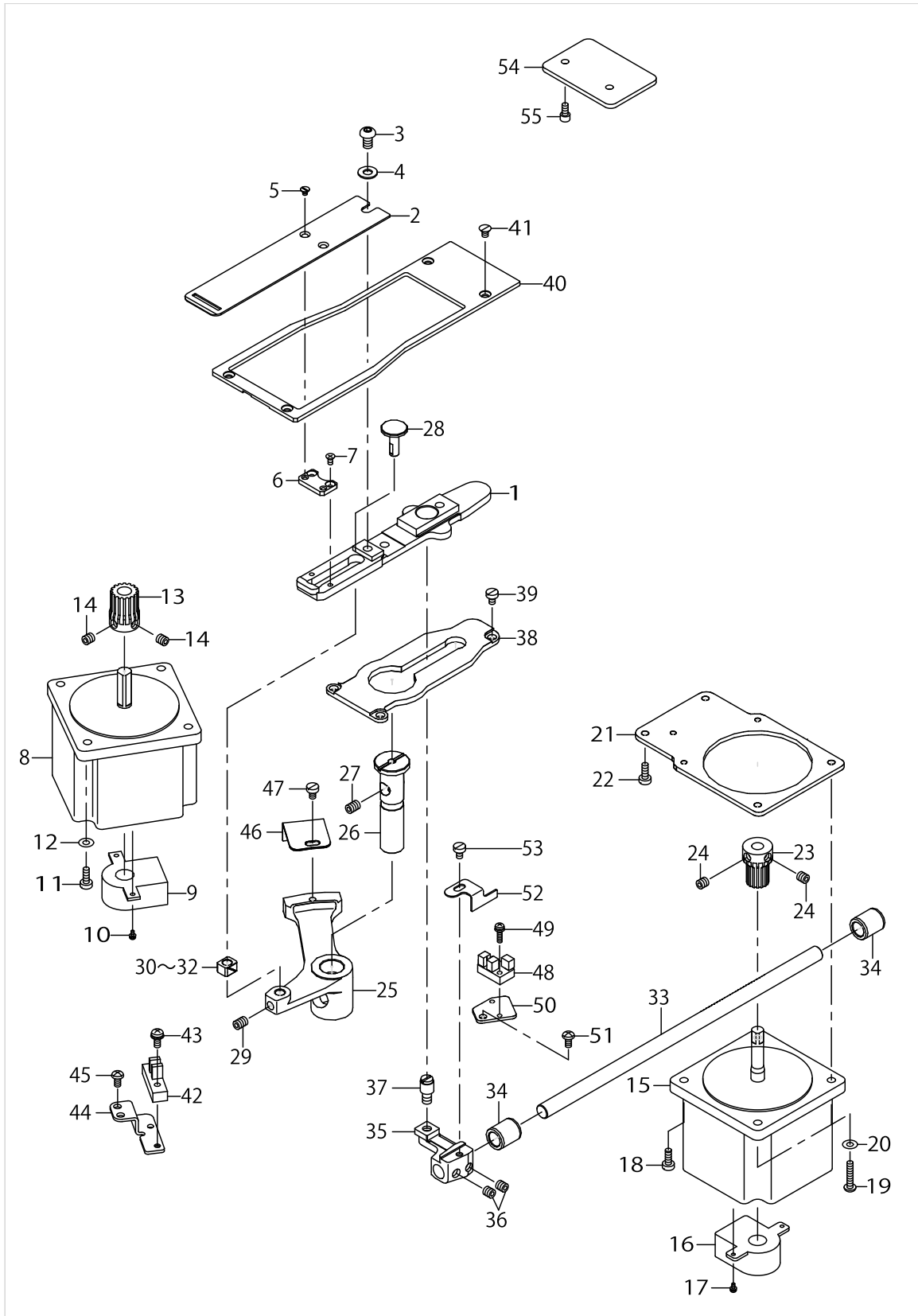
THREAD TRIMMER MECHANISM COMPONENTS



THREAD TRIMMER MECHANISM COMPONENTS

No.	Parts No.	Parts name	Remarks	Level	Cons	Qty
48	SL6040892TN	BOLT				4

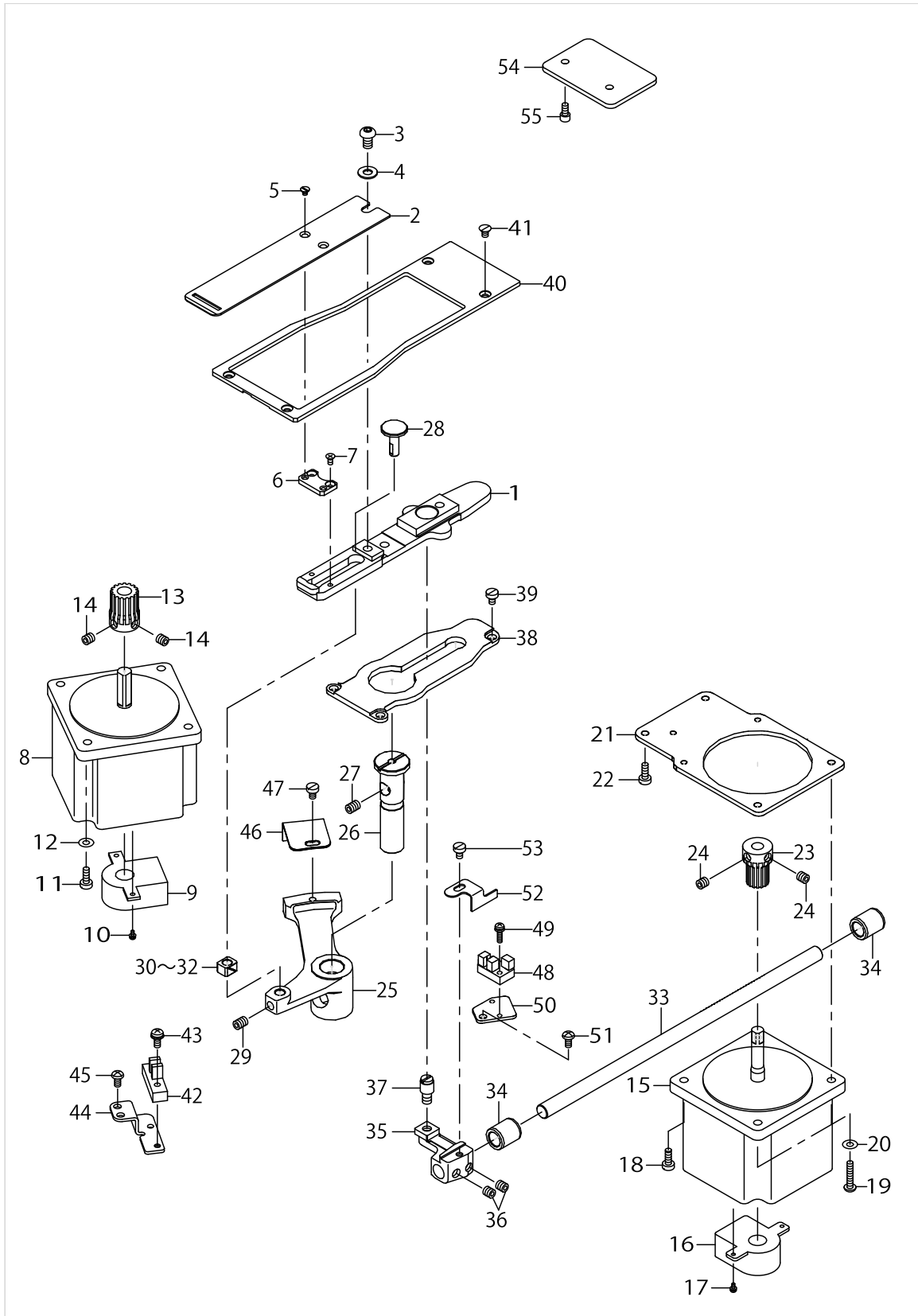
FEED MECHANISM COMPONENTS



FEED MECHANISM COMPONENTS

No.	Parts No.	Parts name	Remarks	Level	Cons	Qty
1	40078100	CLOTH FEED PLATE A ASM.				1
2	70005236	FEED_PLATE_A				1
3	SM3061052TP	SCREW M6 L=10				1
4	WP0621016SD	WASHER 6.2X13X1				1
5	SM1030400SP	SCREW M3 L=4				2
6	70005237	SPACER_PLATE				1
7	SM1030601SP	SCREW M3 L=6				2
8	40090626	X FEED MOTOR				1
9	HD002780000	SENSOR				1
10	SL4020591SC	SCREW M2X5				2
11	SM4041655SP	SCREW M4 L=16				4
12	WP0450801SP	WASHER				4
13	26501403	X FEED GEAR				1
14	SM8060602TP	SCREW M6X6				2
15	40090627	Y FEED MOTOR				1
16	HD002780000	SENSOR				1
17	SL4020591SC	SCREW M2X5				2
18	SM6041150TP	SCREW				2
19	SM4042055SP	SCREW				2
20	WP0450801SP	WASHER				2
21	40010536	Y FEED MOTOR BASE				1
22	SM6041150TP	SCREW				2
23	26501502	Y FEED GEAR				1
24	SM8060602TP	SCREW M6X6				2
25	40006736	CLOTH FEED ARM				1
26	26222703	FEED DRIVING ARM SHAFT				1
27	SM8060812TP	SCREW M6 L=8				1
28	26223305	SLIDE BLOCK STUD				1
29	SM8060812TP	SCREW M6 L=8				1
30	B1414232000	SQUARE BLOCK	SELECTIVE PARTS			1
31	B141423200A	CRANK SLIDE BLOCK	SELECTIVE PARTS			1
32	B141423200B	GUIDE ROLLER	SELECTIVE PARTS			1
33	40006738	Y FEED SHAFT				1
34	B2509704000	BUSHING REAR				2
35	40042897	LENGTHWISE FEED ARM(M)				1
36	SM8480652TP	SCREW				2
37	40078098	HINGE STUD A				1
38	40006740	CLOTH FEED SUPPORT PLATE				1
39	SM6040650TP	SCREW				3
40	40066739	CLOTH FEED PRESSER PLATE				1
41	SM1040650TP	SCREW				4
42	HD002230000	PHOTO SENSOR				1
43	SL4041281SC	SCREW M4X0.7 L=12				1
44	14111702	SENSOR INSTALLING BASE				1
45	SM4040855SP	SCREW				2
46	14111504	CROSSFEED SENSOR SLIT				1
47	SM6040650TP	SCREW				1

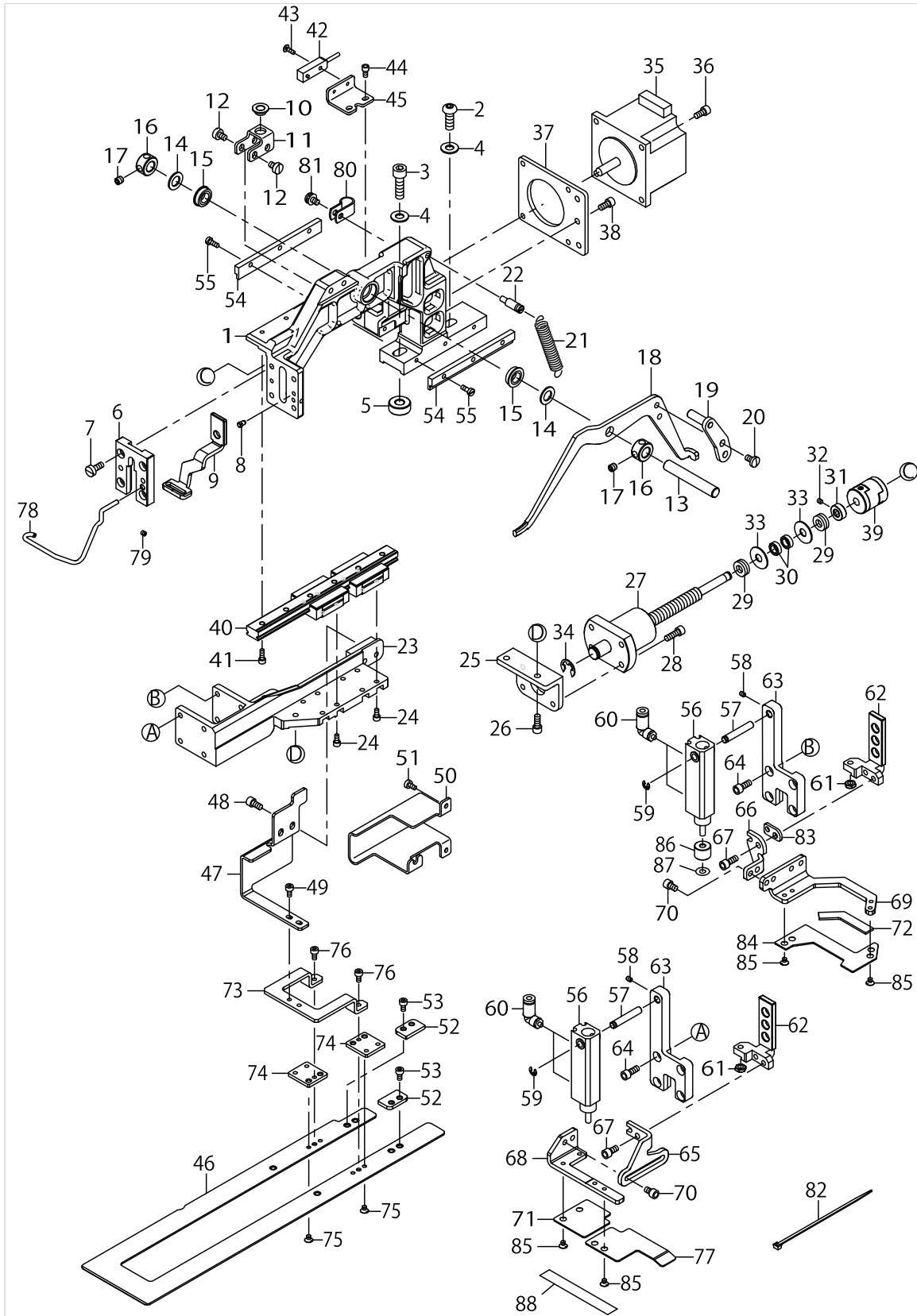
FEED MECHANISM COMPONENTS



FEED MECHANISM COMPONENTS

No.	Parts No.	Parts name	Remarks	Level	Cons	Qty
48	HD00057000A	PHOTO SENSOR				1
49	SL4031291SC	SCREW M3X12				1
50	40028986	SENSOR INSTALLING BASE				1
51	SM4040855SP	SCREW				1
52	14136402	LENGTHWISE FEED SENSOR SLIT				1
53	SM6040650TP	SCREW				1
54	40039255	SUPPORT PLATE				1
55	SM6040802TP	SCREW M4X0.7 L=8				2

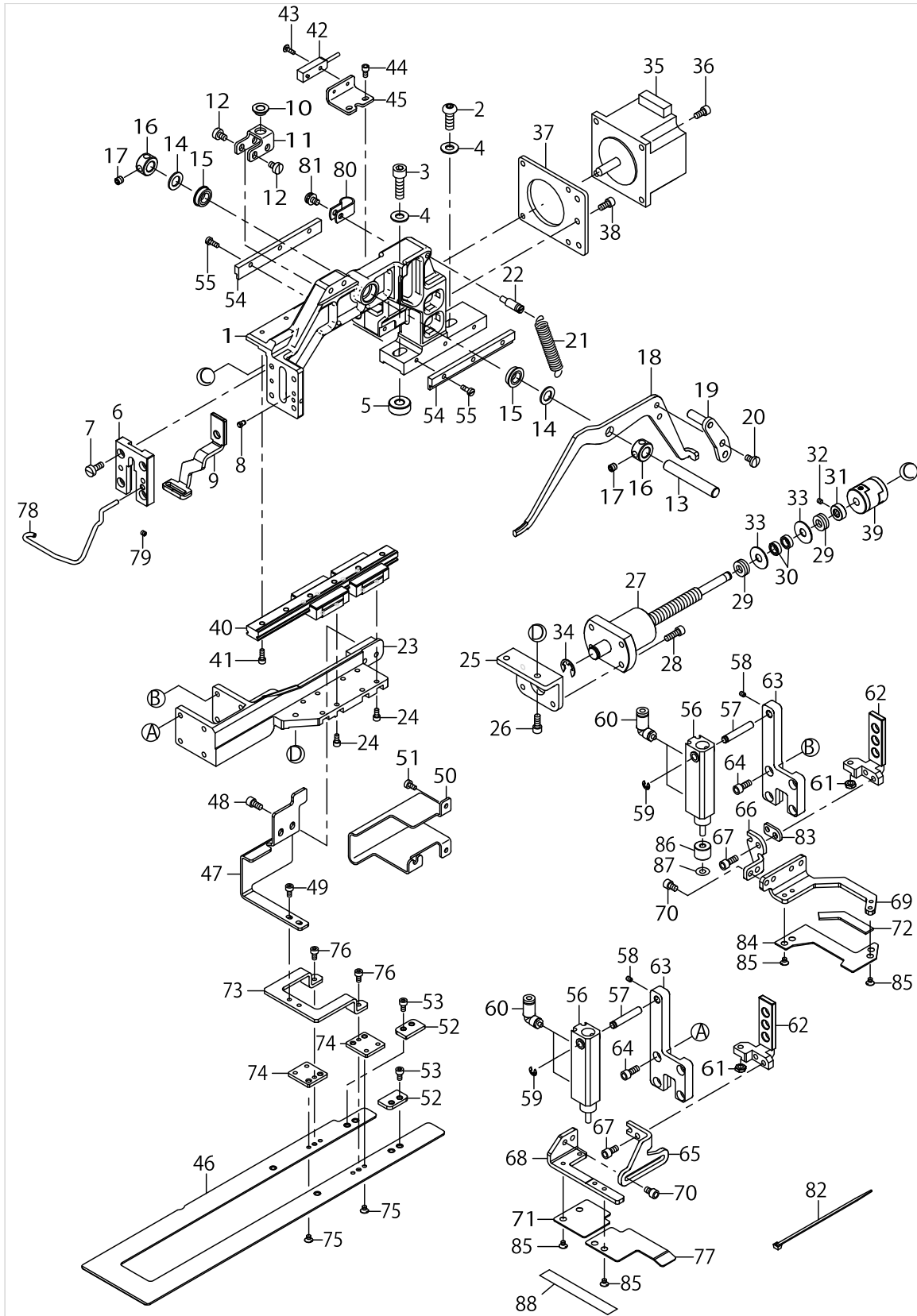
CLOTH FEED COMPONENTS



CLOTH FEED COMPONENTS

No.	Parts No.	Parts name	Remarks	Level	Cons	Qty
1	40066402	FEED BRACKET				1
2	SM3061652TN	SCREW M6 L=16				1
3	SM6062002TP	SCREW M6 L=20				1
4	WP0621016SD	WASHER 6.2X13X1				2
5	40075988	FEED SPACER				1
6	40066651	CLOTH FEED BASE COVER				1
7	SM6041000SP	SCREW M4 L=10				4
8	B1816280000	GUIDE PIN				2
9	70005222	WORK_CLAMP_FOOT_B_N				1
10	G5126172000	CLAMP SHAFT HOLDER				1
11	40091163	SLIDER BASE				1
12	SM6040650TP	SCREW				4
13	40083883	LIFTING LEVER SHAFT B				1
14	40083885	WASHER				2
15	SB108000700	BEARING				2
16	40083884	THRUST COLLAR D=8 W=8				2
17	SM8050512TP	SCREW				4
18	26204008	LIFTING LEVER RIGHT				1
19	40103154	LEVER DRIVING PLATE R ASM.				1
20	SS7110740TP	SCREW 11/64-40 L=7				2
21	14105407	CLOTH PRESSER SPRING				1
22	40038207	NIPPER BAR SPRING SCREW				1
23	40066443	CLOTH FEED BASE				1
24	SM6030602TP	SCREW M3X0.5 L=6				8
25	40066444	CLOTH FEED BASE B				1
26	SM6041002TP	SCREW M4 L=10				2
27	40109548	BALL_SCREW_1010				1
28	SM6041202TP	SCREW M4X0.7 L=12				4
29	SB406000100	THRUST BEARING				2
30	SB106000500	BEARING				2
31	40010477	AT SOL COLLAR				1
32	SM8030302TP	SCREW M3X0.5 L=3				2
33	G5236254000	THRUST RING				2
34	RE0700000K0	E-RING 7				1
35	40090635	CLOTH FEED MOTOR				1
36	SM6040802TP	SCREW M4X0.7 L=8				4
37	40073100	MOTOR BASE PLATE				1
38	SM6041002TP	SCREW M4 L=10				3
39	40091160	COUPLING				1
40	40091161	LM GUIDE 12				1
41	SM6030802TP	SCREW M3X0.5 L=8				6
42	40090642	CLOTH FEED ORG SENSOR ASSY				1
43	SM0850801SC	SCREW M2.5 L=8				1
44	SM6030602TP	SCREW M3X0.5 L=6				2
45	40066761	SENSOR_BASE				1
46	70005230	UNDER_FEED_PLATE				1
47	70005227	CONNECTION_PLATE				1

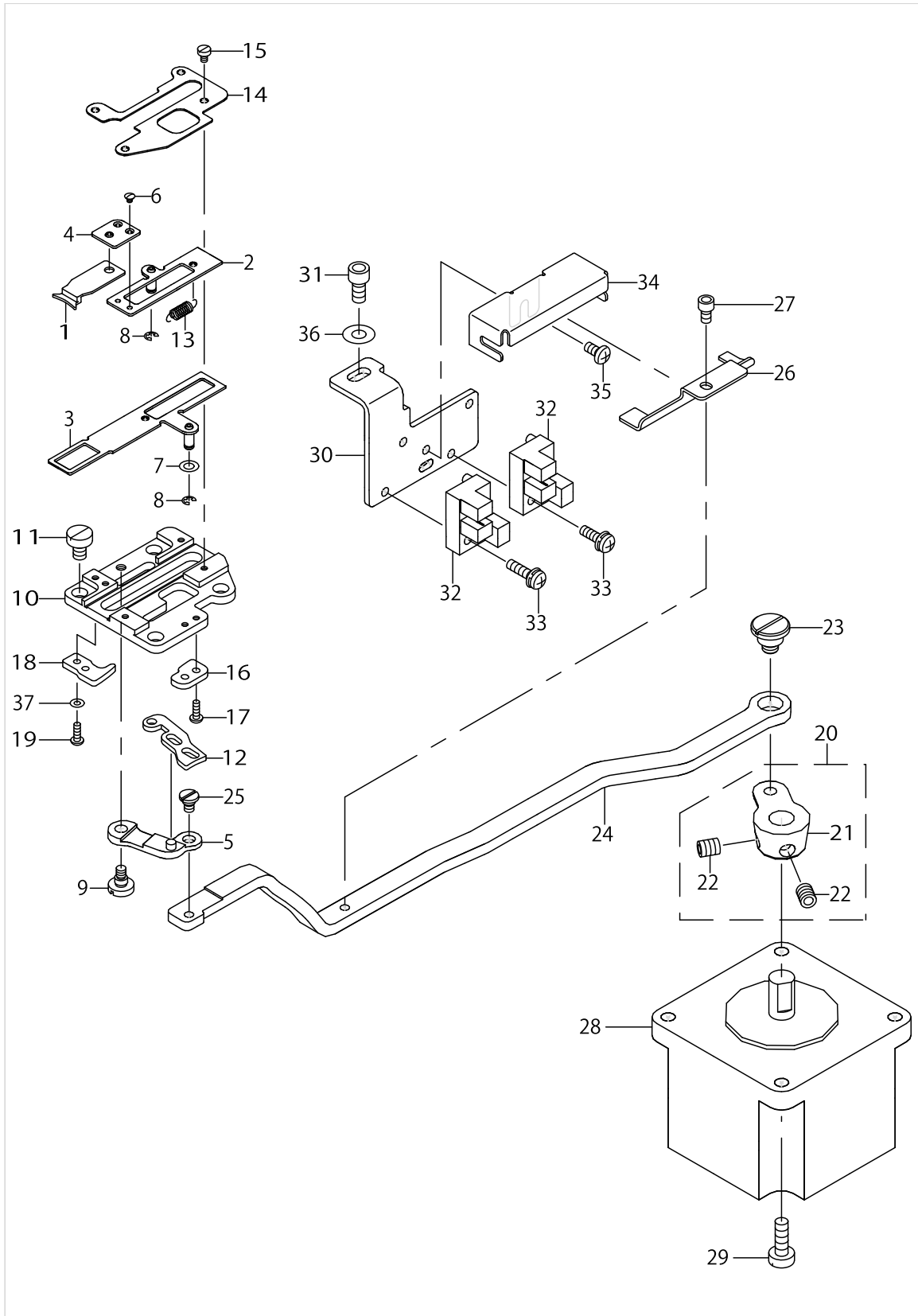
CLOTH FEED COMPONENTS



CLOTH FEED COMPONENTS

No.	Parts No.	Parts name	Remarks	Level	Cons	Qty
48	SM6040802TP	SCREW M4X0.7 L=8				2
49	SM6030402TP	SCREW M3X0.5 L=4				2
50	40091159	FEED COVER				1
51	SM6030600SP	SCREW M3X0.5 L=6				3
52	40066748	FEED PLATE GUIDE B				2
53	SM6030602TP	SCREW M3X0.5 L=6				4
54	40066745	FEED PLATE GUIDE				2
55	SM6030800SP	SCREW M3X0.5 L=8				6
56	PA1003027A0	AIR CYLINDER				2
57	14411003	CLOTH PRESSER CYLINDER SHAFT				2
58	SM8030412TP	SCREW				2
59	RE0400000K0	E-RING 4				2
60	PJ304040301	UNION ELBOW M3				4
61	NM6040003SC	NUT M4				2
62	40091158	PRESSURE SLIDE PLATE				2
63	40075982	CLOTH PRESSER BASE COVER				2
64	SM6041002TP	SCREW M4 L=10				8
65	40091339	CLAMP FOOT F				1
66	40100422	CLAMP FOOT R				1
67	SM6041002TP	SCREW M4 L=10				4
68	40107534	CLOTH CLAMP A F				1
69	70005223	CLOTH_CLAMP_A_R				1
70	SM6040652TP	SCREW M4 L=6				4
71	70005225	CLOTH_CLAMP_SUPPORT_C				1
72	40100426	PRESSURE SPONGE R B			☆	1
73	70005228	GUIDE_BASE				1
74	70005229	PLATE				2
75	SM1030400SP	SCREW M3 L=4				4
76	SM6030602TP	SCREW M3X0.5 L=6				2
77	70005226	CLOTH_CLAMP_SUPPORT_D				1
78	40075977	FINGER GUARD				1
79	SM8030302TP	SCREW M3X0.5 L=3				1
80	HX00150000C	CABLE CLIP				1
81	SL4040891SC	SCREW M4 L=8				1
82	EA9500B0100	CABLE BAND				2
83	40100420	SPACER				1
84	70005224	CLOTH_CLAMP_SUPPORT_A				1
85	SM1030400SP	SCREW M3 L=4				8
86	70005235	BUSH				1
87	WP0450801SP	WASHER				1
88	40066088	TAPE				1

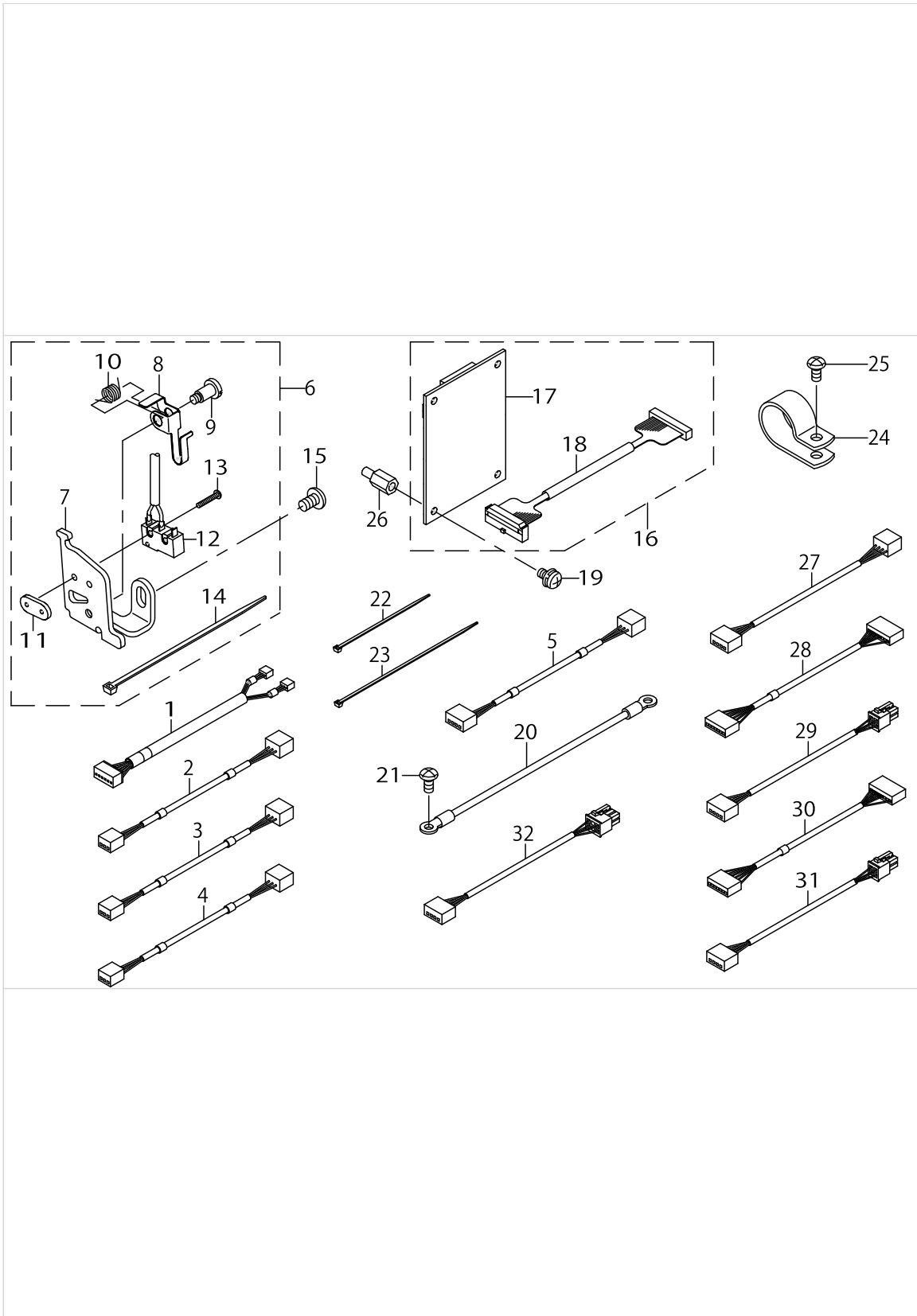
TC CLAMP COMPONENTS



TC CLAMP COMPONENTS

No.	Parts No.	Parts name	Remarks	Level	Cons	Qty
1	40006761	TC CLAMP				1
2	40006762	TC CLAMP PLATE ASM.				1
3	40006765	TC SUPPERT PLATE ASM.				1
4	40012815	TC JOINT ASM.				1
5	40015800	TC-LINK ASM.				1
6	SM2360110TP	SCREW M1.6X0.2 L=1.35				2
7	WP0320500SC	WASHER M3				1
8	RE0200000K0	E-RING				2
9	SD0400266TP	HINGE SCREW D=4 H=2.6				1
10	40010589	TC BASE				1
11	SM6040650TP	SCREW M4 L=6				4
12	40010590	TC CAM PLATE				1
13	40006780	TC SPRING				1
14	40006781	TC BASE COVER				1
15	SM6020350SP	SCREW M2 L=2.5				4
16	40006782	TC NOTCH R				1
17	SM4020600SP	SCREW M2 L=6				2
18	40006777	TC NOTCH F				1
19	SM6020450TP	SCREW				2
20	40010527	TC DRIVING ARM ASM.				1
21	40010528	TC DRIVING ARM		*		1
22	40011152	TC ARM SCREW		*		2
23	SD0800406TP	SHOULDER SCREW D8 H4				1
24	40006776	TC CONNECTING LINK				1
25	SD0350156TP	SHOULDER SCREW				1
26	40010530	SENSOR SLIT				1
27	SM6030502TP	BOLT M3X5				1
28	40075079	STEPPING MOTOR				1
29	SM6041200SP	SCREW M4 L=12				4
30	40010531	SENSOR INSTALLING BASE				1
31	SM6040802TP	SCREW M4X0.7 L=8				1
32	HD00057000A	PHOTO SENSOR				2
33	SL4031091SC	SCREW M3X10				2
34	40010532	DUST GUARD				1
35	SM4030601SN	SCREW M3X6				1
36	WP0450801SP	WASHER				1
37	WP0220300SC	WASHER				2

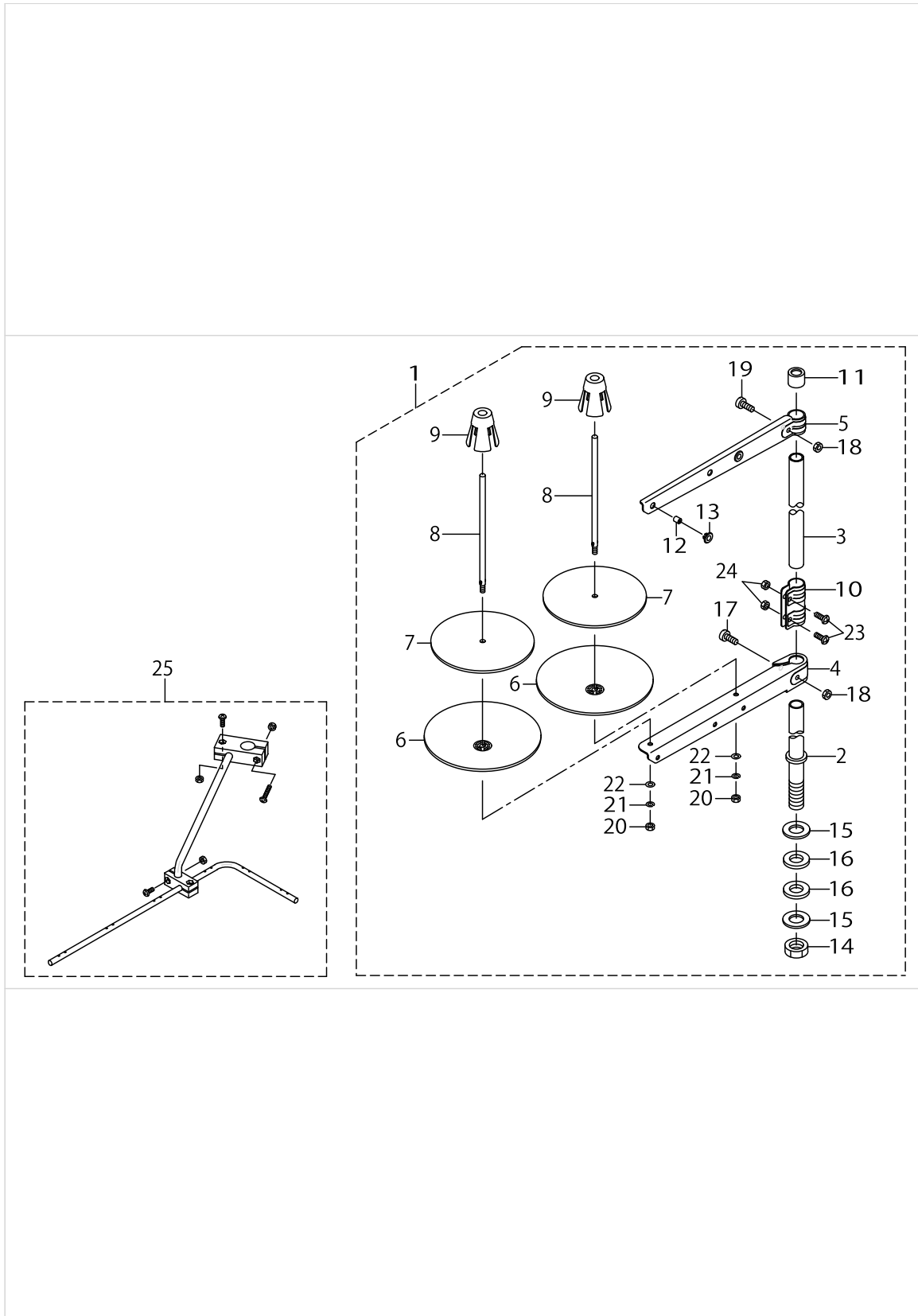
SENSOR COMPONENTS



SENSOR COMPONENTS

No.	Parts No.	Parts name	Remarks	Level	Cons	Qty
1	40005729	TH SENSOR CABLE ASM.				1
2	40005731	Y SENSOR CABLE ASM.				1
3	40005732	PF SENSOR CABLE ASM.				1
4	40005730	X SENSOR CABLE ASM.				1
5	40005733	TT SENSOR CABLE ASM.				1
6	40006495	SAFETY SW ASM.				1
7	40006496	SAFETY SW BASE		*		1
8	23638109	SAFETY SWITCH ARM.		*		1
9	40006497	SAFETY SW ARM SHAFT		*		1
10	23638208	SAFETY SWITCH SPRING		*		1
11	23638406	SAFETY SWITCH NUT		*		1
12	40005734	SAFETY SW CABLE ASM.		*		1
13	SM4021201SC	SCREW M2 L=12		*		2
14	EA9500B0100	CABLE BAND		*		1
15	SM4050855SP	SCREW				1
16	40005664	INT PCB ASM.				1
17	40005660	INT PCB		*		1
18	40005725	INT CABLE ASM.		*		1
19	SL4040881SF	SCREW M4 L=8				4
20	14115554	HEAD GROUND CABLE A ASM.				1
21	SM4040855SP	SCREW				1
22	EA9500B0100	CABLE BAND				6
23	EA9500B0200	CABLE BAND 150				3
24	HX00150000K	CABLE CLIP				1
25	SM4040855SP	SCREW				1
26	HX003390000	STUD				4
27	40090633	THREAD CLAMP MOTOR RELAY CORD ASM.				1
28	40073632	X ENCODER CABLE ASM.				1
29	40090630	X FEED MOTOR RELAY CORD ASM.				1
30	40073638	Y ENCODER CABLE ASM.				1
31	40090631	Y FEED MOTOR RELAY CORD ASM.				1
32	40090632	PRESSER LIFTING MOTOR RELAY CORD ASM.				1

THREAD STAND COMPONENTS



THREAD STAND COMPONENTS

No.	Parts No.	Parts name	Remarks	Level	Cons	Qty
1	40096354	THREAD STAND ASM.				1
2	40085784	SPOOL REST ROD LOWER		*		1
3	40085785	SPOOL REST ROD UPPER		*		1
4	40085786	SPOOL REST ARM LOWER		*		1
5	40085787	SPOOL REST ARM UPPER		*		1
6	40085788	SPOOL REST		*		2
7	40085789	SPOOL REST CUSHION		*		2
8	40085790	SPOOL PIN		*		2
9	40085791	SPOOL RETAINER		*		2
10	40085792	SPOOL REST ROD JOINT		*		1
11	40085793	SPOOL REST ROD RUBBER CAP		*		1
12	40085794	THREAD GUIDE		*		2
13	40085795	THREAD GUIDE BUSHING		*		2
14	40096325	SPOOL REST ROD NUT		*		1
15	WP1612616SE	WASHER 16X30X2.6		*		2
16	40085796	SPOOL REST ROD RUBBER CUSHION		*		2
17	40096326	SPOOL REST ARM LOWER SCREW		*		1
18	NM6050001SE	NUT M5		*		2
19	40096327	SPOOL REST ARM UPPER SCREW		*		1
20	NM6050001SE	NUT M5		*		2
21	WS0510002KN	SPRING WASHER M5		*		2
22	WP0531001SC	WASHER M5		*		2
23	SM4051405SE	SCREW M5 L=14		*		2
24	NM6050001SE	NUT M5		*		2
25	26910059	THREAD GUIDE ARM ASM.				1

TABLE STAND COMPONENTS

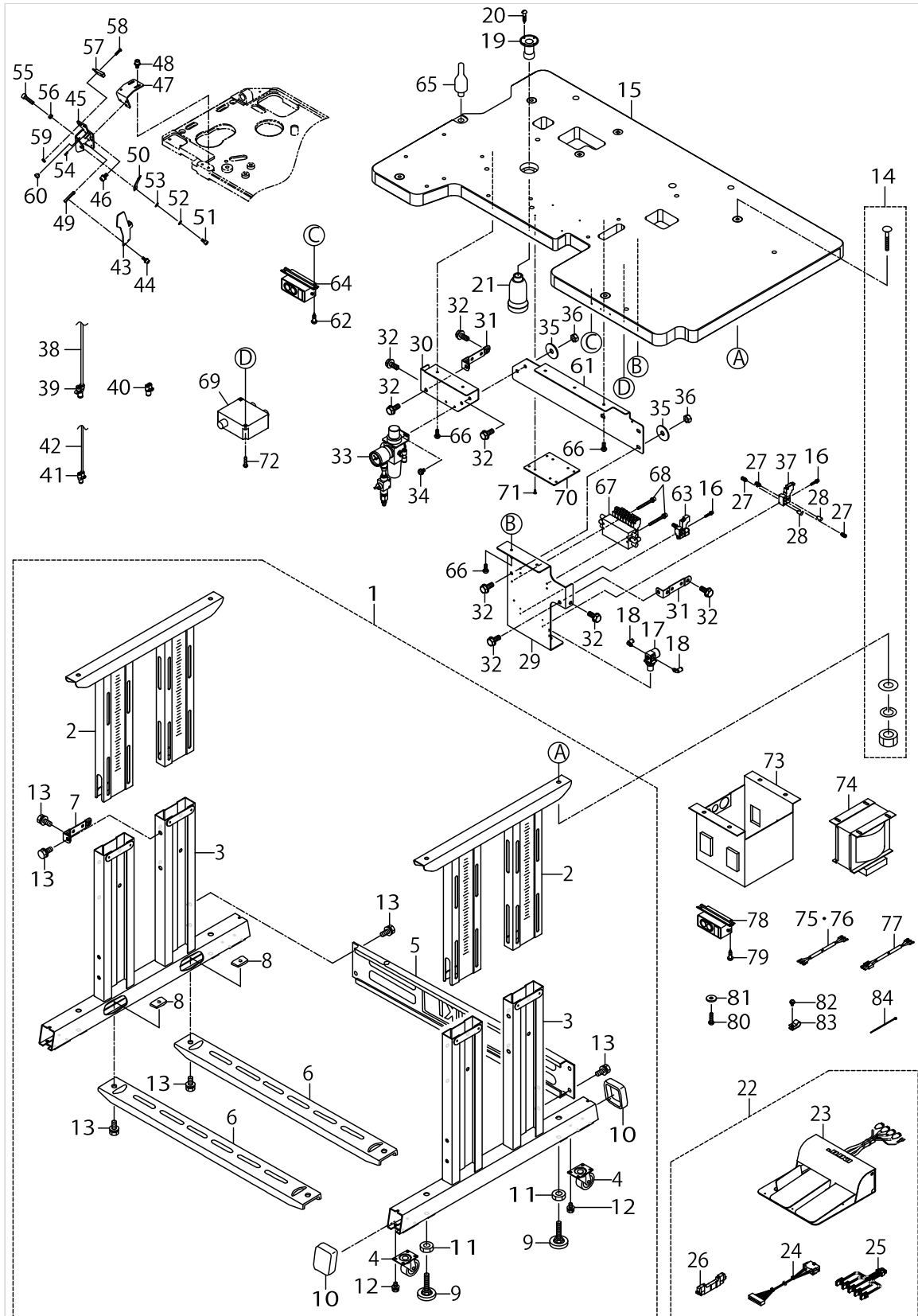


TABLE STAND COMPONENTS

No.	Parts No.	Parts name	Remarks	Level	Cons	Qty
1	B8101221DA0	STAND ASM.				1
2	B8102221DA0	UPPER STAND COMPL.		*		2
3	B8103221DA0	STAND COMPL.		*		2
4	B8150221D00	CASTER		*		4
5	11158300	STAND SIDE SUPPORT		*		1
6	11158409	STAND SIDE SUPPORT		*		2
7	11158516	UPPER STAND PLATE		*		4
8	17007402	NUT		*		4
9	17833658	ADJUSTING BOLT ASM.		*		4
10	B8110373N00	CAP		*		4
11	NM6120003SE	NUT M12		*		4
12	SL9061293SE	WASHER HEXAGONAL BOLT		*		16
13	SL9082093SE	SCREW		*		20
14	MTJMS00000S	SCREW SET				4
15	70005340	TABLE				1
16	SL6031642TN	SCREW				4
17	PF0205010C0	AIR REGULATOR				1
18	PJ304040504	ELBOW UNION				2
19	B8202205000	OIL MANAGEMENT				1
20	SK3311600SC	WOOD SCREW D=3.1 L=16				4
21	B9121012000	OIL CAN				1
22	40111910	3-PEDAL_ASSY				1
23	GPK470010AB	3-PEDAL ASM.		*		1
24	40073659	SW RELAY CORD ASM		*		1
25	40033875	PK47 RELAY CABLE ASM		*		1
26	PV150106000	5-PORT SOLENOID VALVE		*		1
27	PJ304040511	ELBOW UNION				3
28	E2605760000	SILENCER				2
29	40100430	BRIDGE PLATE R				1
30	40093485	BRIDGE PLATE L				1
31	11158516	UPPER STAND PLATE				2
32	SL9082093SE	SCREW				10
33	40091545	FILTER REGULATER ASM.				1
34	SL4051091SC	SCREW M5X0.8 L=10				2
35	WP0852086SC	WASHER M8				4
36	NM6080001SC	NUT M8X1.25				4
37	70005221	VALVE_B				1
38	BT0600401EB	TUBE				2
39	PJ308060003	UNION Y				1
40	PJ308060005	DIFFERENT DIAMETER UNION Y				1
41	PJ308040002	QUICK COUPLING				1
42	BT0400251EB	URETHANE HOSE BLACK				16
43	40067545	START SW				1
44	SM6040802TN	SCREW				2
45	40067541	START SW BRACKET B				1
46	SL6051092TN	BOLT				2
47	40067550	START SW BRACKET A				1

TABLE STAND COMPONENTS

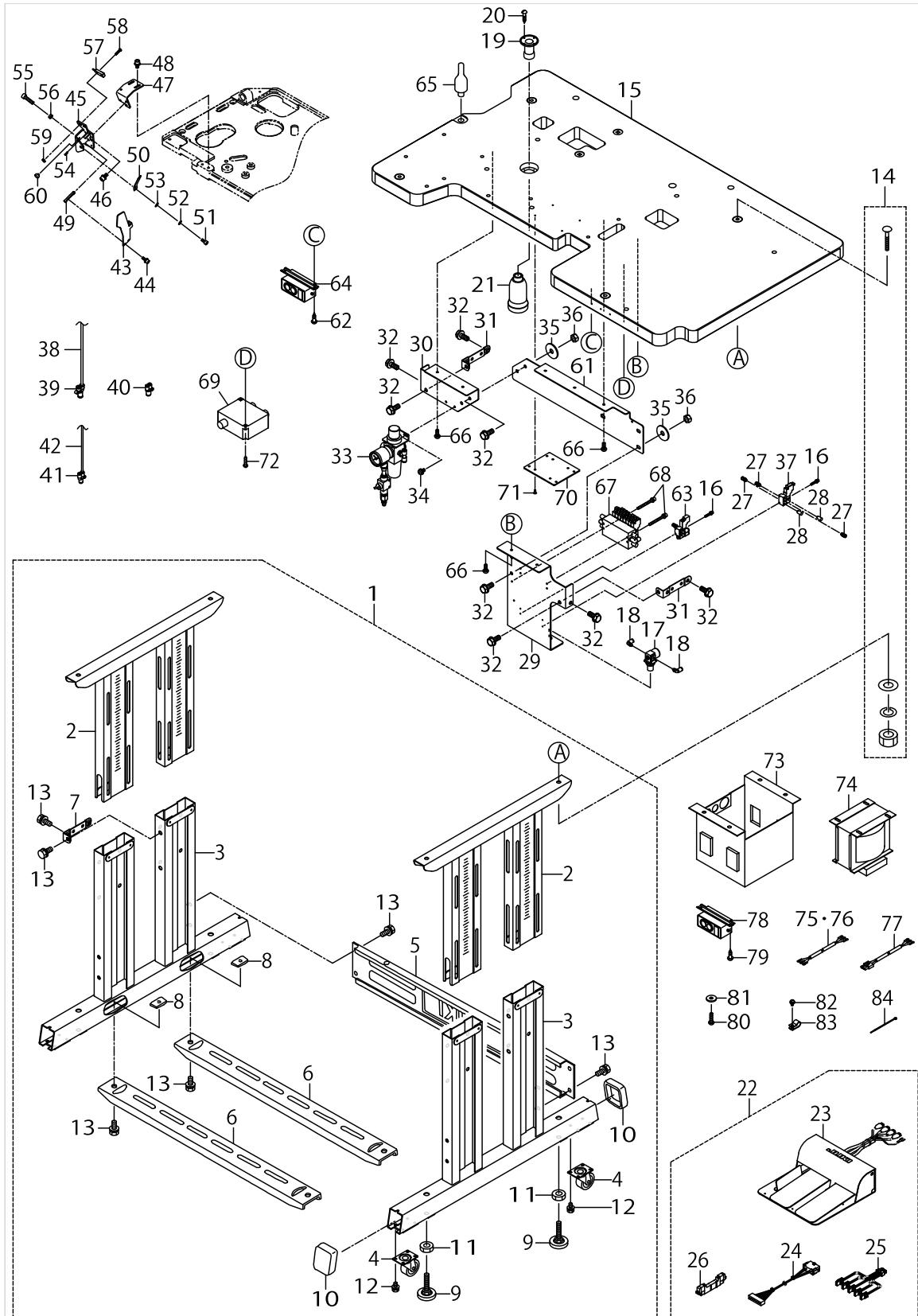
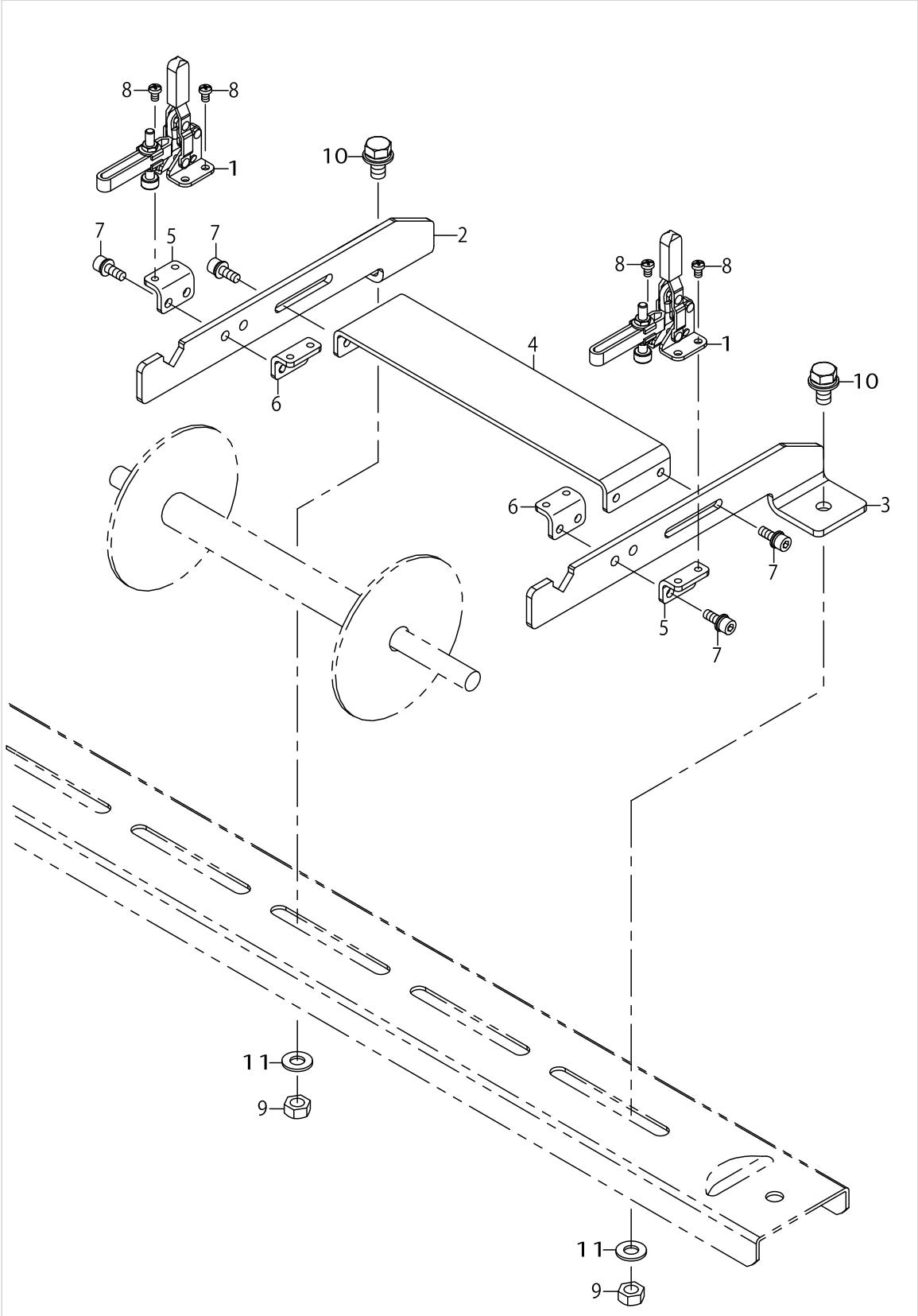


TABLE STAND COMPONENTS

No.	Parts No.	Parts name	Remarks	Level	Cons	Qty
48	SL6051092TN	BOLT				2
49	17079906	START SW FULCRUM SHAFT				1
50	17079807	START SWITCH RETURN SPRING				1
51	SM6040602TN	BOLT				2
52	WS0410002KN	SPRING WASHER				2
53	WP0430800SC	WASHER M4				2
54	PS0300102K0	SPRING PIN 3.0X10				4
55	SM6052002TN	BOLT				1
56	NM6050001SC	NUT M5				1
57	40090644	START SW SENSOR ASSY				1
58	SM4031201SC	SCREW M3X12				1
59	NM6030003SC	NUT M3				1
60	22955900	WIPER RUBBER A				1
61	40101999	BRIDGE PLATE				1
62	SK3512001SE	WOOD SCREW D=5.1 L=20				2
63	40091548	VALVE ASSY A				1
64	HA004250000	SWITCH				1
65	14101208	HEAD SUPPORT BAR				1
66	SK3513201SE	WOOD SCREW D=5.1 L=32				7
67	40109086	MANIFOLD_VALVE_ASSY				1
68	SL6044092TN	SCREW				4
69	70005479	TERMINAL BOX ASSY				1
70	70005415	PLATE				1
71	SM1040800SP	SCREW				4
72	SK3412001SE	WOOD SCREW D=4.1 L=20				2
73	40179295	TARANSFORMER_CASE				1
74	40179305	POWER_TRANSFORMAR				1
75	40179365	TARANS P POWER CABLE ASM				1
76	40179367	HEATER SW POWER CABLE ASM				1
77	40179366	TARANS S POWER CABLE ASM				1
78	HA004250000	SWITCH				1
79	SK3512001SE	WOOD SCREW D=5.1 L=20				2
80	SK3582501SE	WOOD SCREW D=5.8 L=25				4
81	WP0612056SE	WASHER 6.1X18.5X2				4
82	SL4040881SC	SCREW M4 L=8				2
83	HX00150000C	CABLE CLAMP				2
84	EA9500B0100	CABLE BAND				1

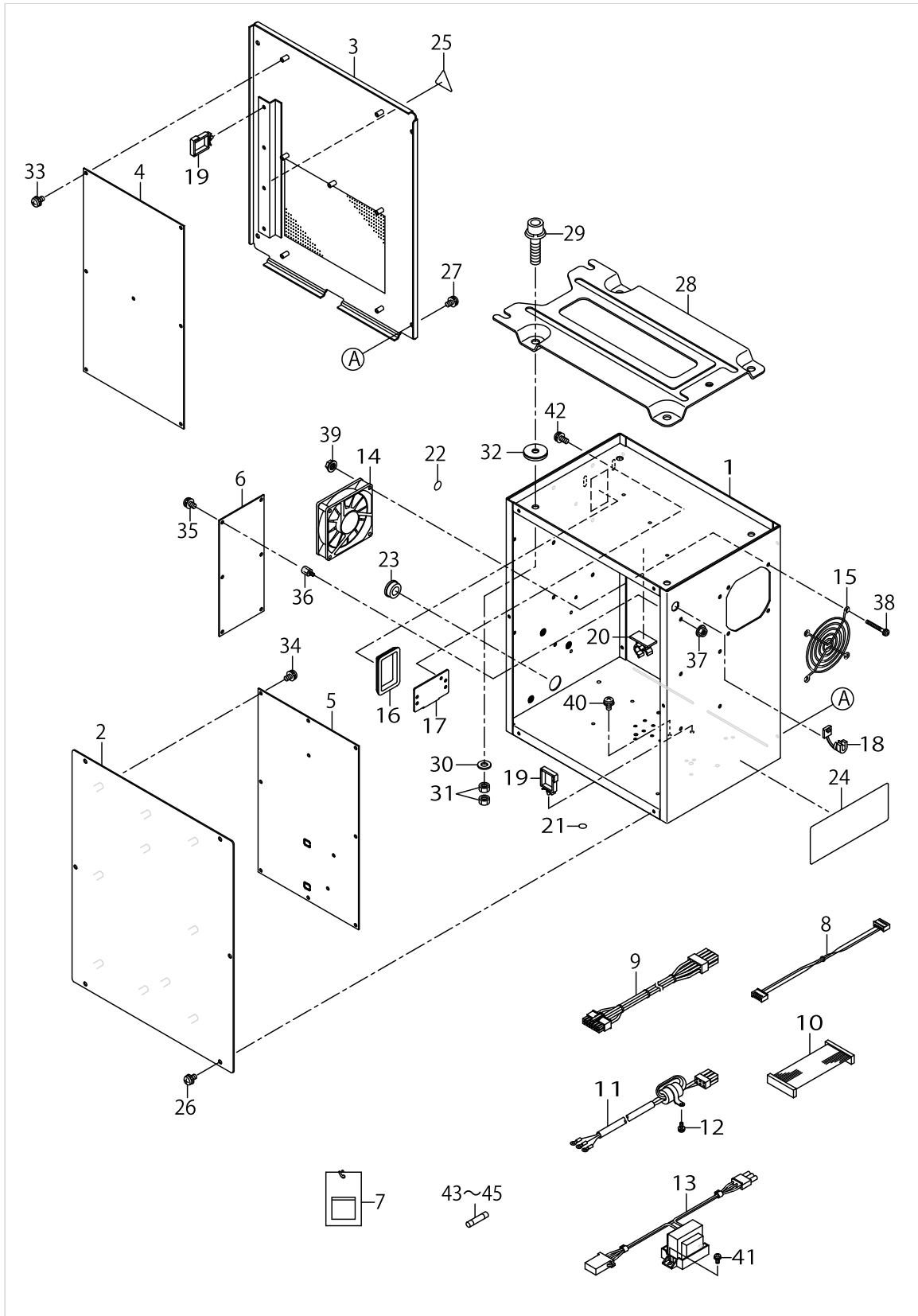
LOOP PULL SUPPORT COMPONENTS



LOOP PULL SUPPORT COMPONENTS

No.	Parts No.	Parts name	Remarks	Level	Cons	Qty
1	70005246	TOGGLE_CLAMP				2
2	70005240	SUPPORT_LEFT				1
3	70005241	SUPPORT_RIGHT				1
4	70005242	STRUT				1
5	70005243	CLAMP_SUPPORT_PLATE_LEFT				2
6	70005244	CLAMP_SUPPORT_PLATE_RIGHT				2
7	SL6051492TN	BOLT				8
8	SM4040655SP	SCREW M4 L=6				8
9	NM6080001SC	NUT M8X1.25				2
10	SL9081693SE	HEXAGON SCREW WITH WASHER				2
11	WP0841601SC	WASHER 8.4X17.4X1.6				2

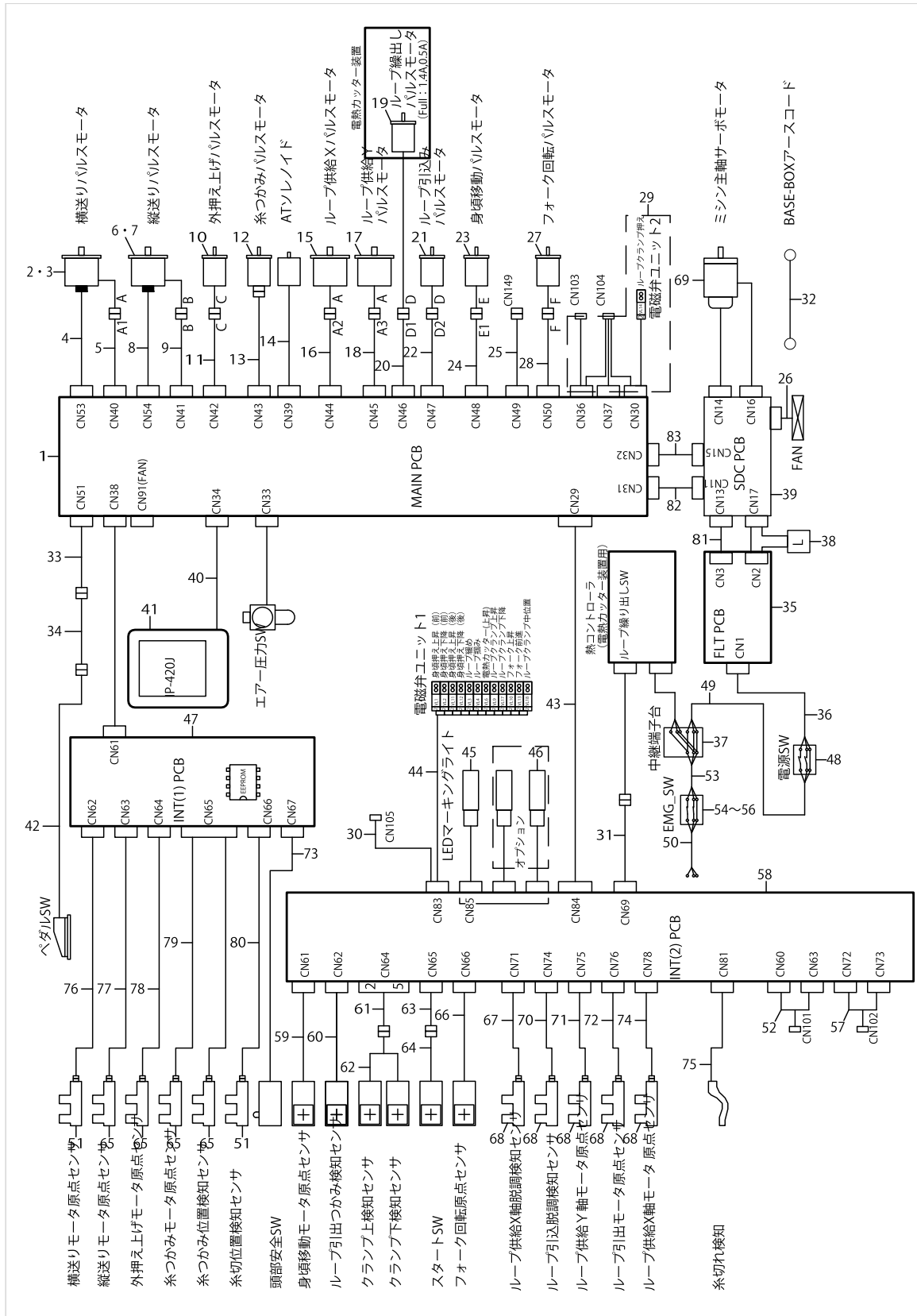
CONTROL BOX COMPONENTS



CONTROL BOX COMPONENTS

No.	Parts No.	Parts name	Remarks	Level	Cons	Qty
1	40055355	CONTROL BOX				1
2	40055356	CONTROL BOX FRONT COVER				1
3	40055357	CONTROL BOX REAR COVER				1
4	40101200	MAIN PCB ASSY				1
5	40082758	SDC PCB A ASSY				1
6	40000046	FLT-S PCB A ASS'Y				1
7	M300451100A	VOLTAGE INDICATION CARD A				1
8	40005394	FLT-SDC CORD S ASS'Y				1
9	40005726	SDC-MAIN CORD P ASSY				1
10	40005727	SDC-MAIN CORD S ASSY				1
11	40090587	POWER CORD A ASSY				1
12	SL4041081SC	SCREW M4 L=10				1
13	40090589	REACTOR				1
14	40005401	FAN MOTOR ASS'Y				1
15	KM000000480	FAN MOTOR				1
16	HX004070000	BUSH				1
17	17845009	CORD FITTING PLATE				1
18	KX000000320	BUSH				1
19	HX005110000	WIRE SADDLE				5
20	KX000000330	WIRE SADDLE				1
21	E9567319000	EARTH MARK				1
22	40003458	MASK SEAL				16
23	HX00326000K	GROMMET				1
24	40057278	ELECTRICAL RATING LABEL CE UNIVERSAL				1
25	CM300100001	LABEL				1
26	SL4040891SC	SCREW M4 L=8				6
27	SL4040891SC	SCREW M4 L=8				4
28	M3801476000	CONTROL BOX FITTING PLATE				1
29	SL6083092TN	SCREW				4
30	WP0841601SC	WASHER 8.4X17.4X1.6				4
31	NM6080001SC	NUT M8X1.25				8
32	M4206461000	WASHER				4
33	SL4040881SC	SCREW M4 L=8				4
34	SL4040881SC	SCREW M4 L=8				10
35	SL4040881SC	SCREW M4 L=8				6
36	HX003390000	STUD				6
37	NM3040520SC	NUT M4				6
38	SL4043591SC	SCREW				4
39	NM3040520SC	NUT M4				4
40	SL4040891SC	SCREW M4 L=8				2
41	SL4040881SC	SCREW M4 L=8				2
42	SL4041091SC	SCREW M4 L=10				2
43	HF00130315S	FUSE 3.15A 250V REF. NO.112				1
44	HF0013050P0	FUSE 5A				1
45	HF003000200	FUSE 2A (220/240V)				1

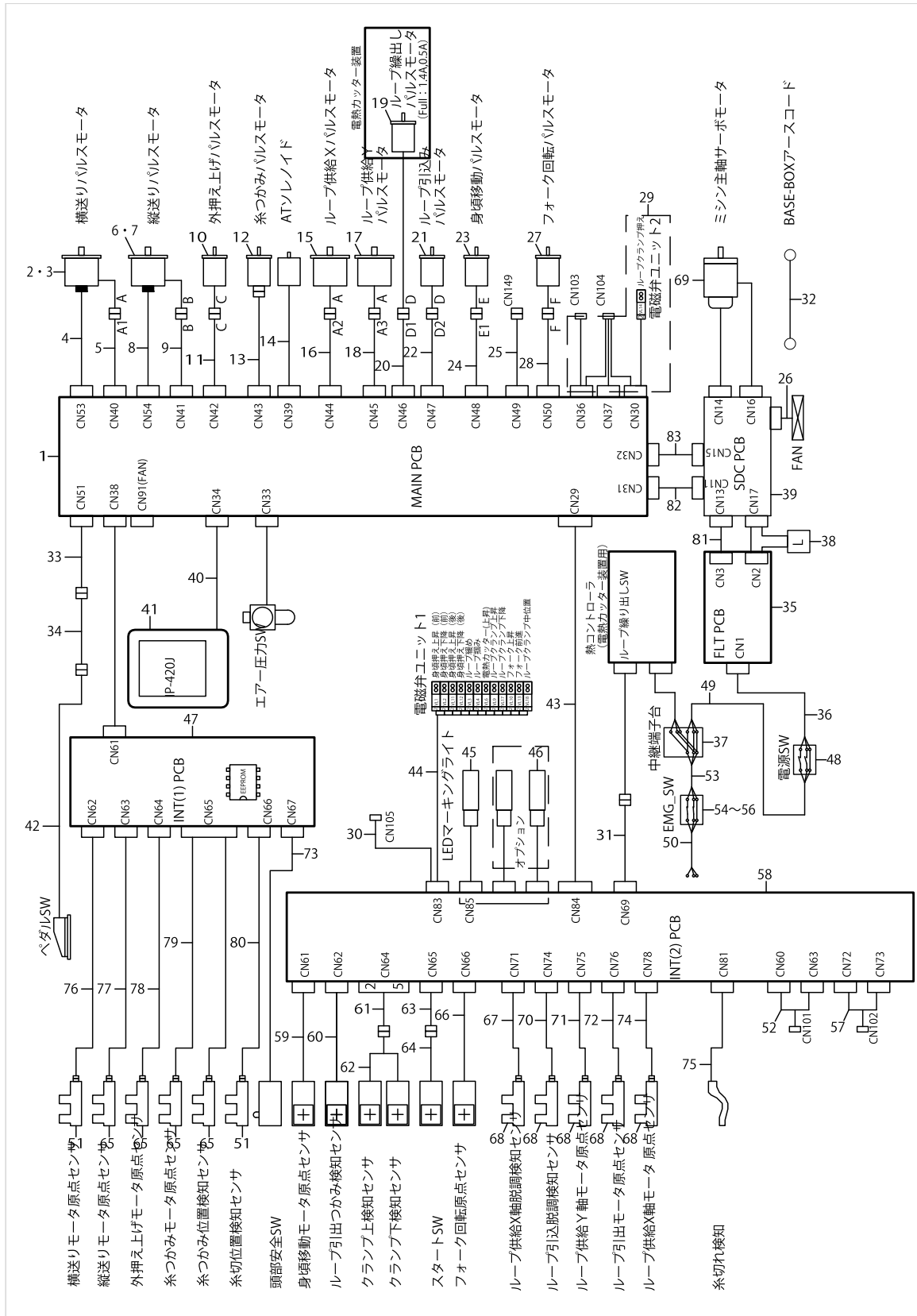
WIRING DIAGRAM



WIRING DIAGRAM

No.	Parts No.	Parts name	Remarks	Level	Cons	Qty
1	40101200	MAIN PCB ASSY				1
2	40090626	X FEED MOTOR				1
3	HD002780000	SENSOR				1
4	40073632	X ENCODER CABLE ASM.				1
5	40090630	X FEED MOTOR RELAY CORD				1
6	40090627	Y FEED MOTOR				1
7	HD002780000	SENSOR				1
8	40073638	Y ENCODER CABLE ASM.				1
9	40090631	Y FEED MOTOR RELAY CORD				1
10	40090628	PRESSER LIFT MOTOR				1
11	40090632	PRESSER LIFTING MOTOR RELAY CORD				1
12	40075079	STEPPING MOTOR				1
13	40090633	THREAD CLAMP MOTOR RELAY CORD				1
14	40006628	AT_SOLENOID				1
15	40090626	X FEED MOTOR				1
16	40090569	LOOP SUPPLY MOTOR(X)RELAY CORD ASM.				1
17	40090626	X FEED MOTOR				1
18	40090570	LOOP SUPPLY MOTOR(Y) RELAY CORD				1
19	40090634	LOOP FEED MOTOR				1
20	40090571	LOOP FEED MOTOR RELAY CORD ASSY				1
21	40090634	LOOP FEED MOTOR				1
22	40090572	LOOP PULL MOTOR RELAY CORD ASSY				1
23	40090635	CLOTH FEED MOTOR				1
24	40090573	CLOTHFEEDMOTORRELAYCORD ASSY				1
25	70005183	LOOPLOOSEMOTORRELAYCORDASSY				1
26	40005401	FAN MOTOR ASS'Y				1
27	70005177	FOLK MOTOR				1
28	40090575	FORK TURN MOTOR RELAY CORD ASSY				1
29	70005182	SENSOR/AIR SOLENOID RELAY CORD ASSY				1
30	70005179	AIR SOLENOID VALVE CORD ASSY				1
31	70005184	LOOP FEED SWITCH RELAY CORD ASSY				1
32	M90206200A0	EARTH CORD ASM.				1
33	40073659	SW RELAY CORD ASM.				1
34	40033875	PK47 RELAY CABLE ASM				1
35	40000046	FLT-S PCB A ASSY				1
36	40090587	POWER CORD A ASSY				1
37	70005174	TERMINAL BOX				1
38	40090589	REACTOR				1
39	40082758	SDC PCB A ASSY				1
40	40065566	PANEL CABLE D ASM.				1
41	40090622	IP-420J PANEL ASM.				1
42	GPK470010AB	3-PEDAL ASM.				1
43	40043977	INT-I/F CORD A ASM.				1
44	40090649	AIR SOLENOID VALVE CORD				1
45	40090637	LED MARKING				1
46	40090637	LED MARKING				1
47	40005664	INT PCB ASM.				1

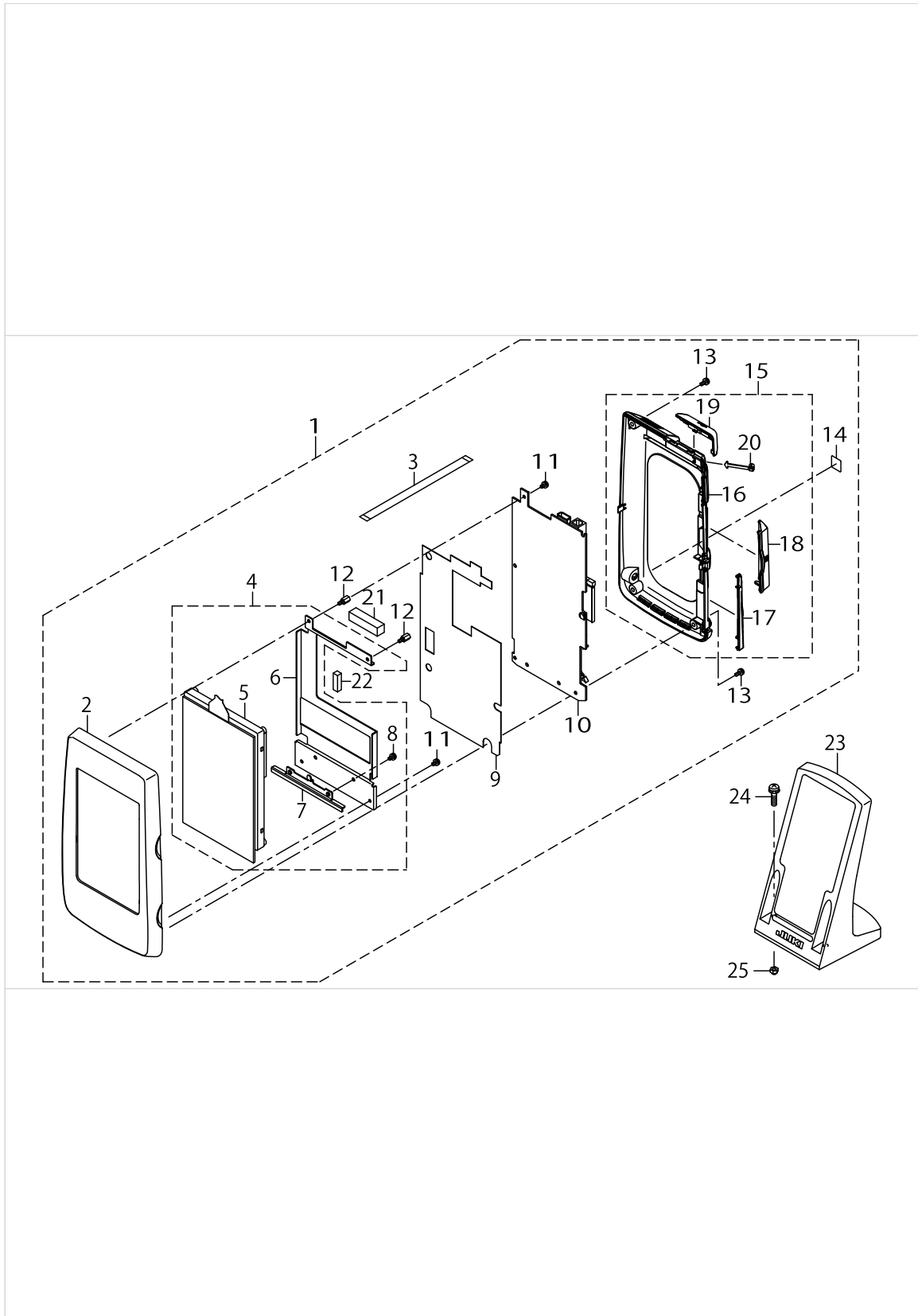
WIRING DIAGRAM



WIRING DIAGRAM

No.	Parts No.	Parts name	Remarks	Level	Cons	Qty
48	HA004250000	SWITCH				1
49	70005433	POWER CORD A ASSY				1
50	40058397	AC POWER CORD B ASM.				1
51	HD002230000	PHOTO SENSOR				2
52	70005180	SENSOR RELAY CORD ASSY				1
53	40090584	EMG POWER CORD ASSY				1
54	HA006280000	SWITCH				1
55	HA006280010	SWITCH				1
56	HA006280020	SWITCH				1
57	70005181	SENSOR RELAY CORD ASSY				1
58	40025260	INT PCB ASSY				1
59	40090642	CLOTH FEED ORG SENSOR ASSY				1
60	40090643	LOOP CATCH DETECT SENSOR ASSY				1
61	40090657	LOOP CLAMP U/D SENSOR RELAY CORD ASM.				1
62	40090647	LOOPCLAMPU/DDETECTSENSORASM.				1
63	40090655	START SW RELAY CORD ASSY				1
64	40090644	START SW SENSOR ASSY				1
65	HD00057000A	PHOTO SENSOR				4
66	40090645	FORK TURN MOTOR ORG SENSOR ASSY				1
67	40090577	LOOP SUPPLY MOTOR(X)STEP-OUT CORD ASM.				1
68	HD00057000A	PHOTO SENSOR				5
69	40028015	AC SERVO MOTOR				1
70	40090581	LOOP PULL MOTOR STEP-OUT SENSOR CORD ASM				1
71	40090578	LOOP SUPPLY MOTOR(Y)ORG SENSOR CORD ASM.				1
72	40090580	LOOP PULL MOTOR ORG SENSOR CORD ASM.				1
73	40005734	SAFETY SW CABLE ASM.				1
74	40090576	LOOP SUPPLY MOTOR(X)ORG SENSOR CORD ASM.				1
75	40090646	THB SENSOR CABLE ASSY				1
76	40005730	X SENSOR CABLE ASM.				1
77	40005731	Y SENSOR CABLE ASM.				1
78	40005732	PF SENSOR CABLE ASM.				1
79	40005729	TH SENSOR CABLE ASM.				1
80	40005733	TT SENSOR CABLE ASM.				1
81	40005394	FLT-SDC CORD S ASS'Y				1
82	40005726	SDC-MAIN CORD P ASSY				1
83	40005727	SDC-MAIN CORD S ASSY				1

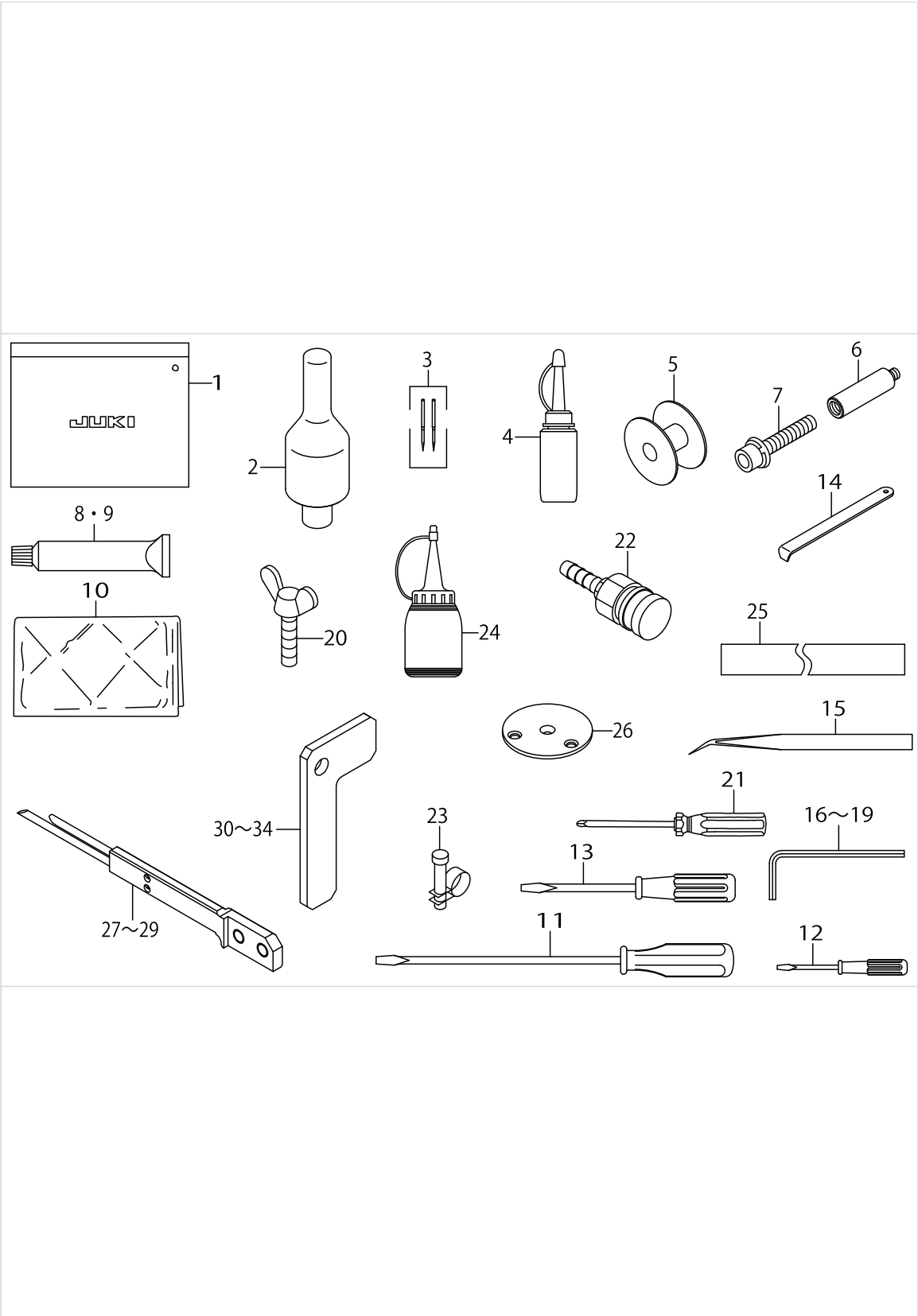
OPERATION PANEL COMPONENTS



OPERATION PANEL COMPONENTS

No.	Parts No.	Parts name	Remarks	Level	Cons	Qty
1	40086192	PANEL ASSY				1
2	40078163	FRONT CASE		*		1
3	HW002180200	FLAT CABLE		*		1
4	40080800	LCD ASSY		*		1
5	40086541	LCD TOUCH PANEL ASSY		*		1
6	40083668	LCD BRACKET		*		1
7	40083666	LCD STAY		*		1
8	SL4030681SC	SCREW M3 L=6		*		2
9	40078168	INSULATION SHEET		*		1
10	40083960	PANEL PCB ASSY		*		1
11	SL4030681SC	SCREW M3 L=6		*		3
12	HX00354000B	PCB SUPPORT L=8MM		*		2
13	SL4030881SC	SCREW M3 L=8		*		4
14	CM600100101	WEEE MARK LABEL S		*		1
15	40080799	REAR CASE ASSY		*		1
16	40078166	REAR CASE		*		1
17	40078162	CONNECTOR COVER		*		1
18	40083667	CF COVER		*		1
19	40078167	USB COVER		*		1
20	40078164	UNITY STRING		*		1
21	40096507	GASKET A		*		1
22	40096508	GASKET B		*		1
23	40035024	OPERATION BOX FIXED PLATE(B)ASM.				1
24	SL4042591SC	SCREW M4 L=25				2
25	NM7040062SB	NUT M4				2

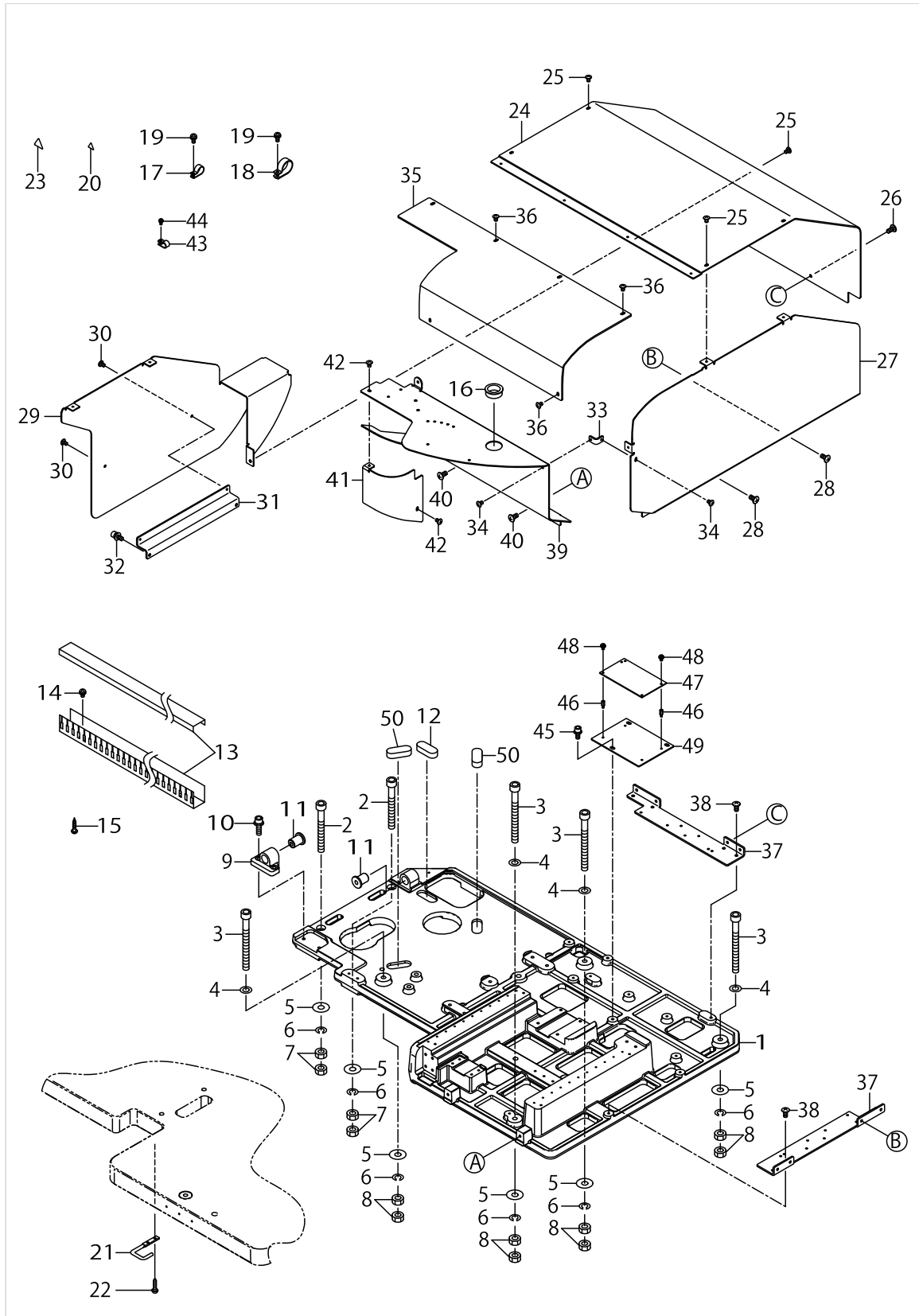
ACCESSORIES PARTS COMPONENTS



ACCESSORIES PARTS COMPONENTS

No.	Parts No.	Parts name	Remarks	Level	Cons	Qty
1	22932800	ACCESSORIE BAG				1
2	14101208	HEAD SUPPORT BAR				1
3	MDP170B1802	NEEDLE DPX17#18-2				1
4	B91212200A0	OILER (CONTAINING NO.2 OIL)				1
5	13812102	BOBBIN				1
6	40036110	GREASE JOINT B				1
7	SM6084002TN	SCREW M8 L=40				1
8	40013640	JUKI GREASE B TUBE				1
9	40006323	JUKI GREASE A TUBE				1
10	40049817	COVER				1
11	22933006	SCREW DRIVER LARGE				1
12	22933204	SCREW DRIVER SMALL				1
13	22933105	SCREW DRIVER MIDDLE				1
14	B9101490000	DRIVER				1
15	12288403	TWEEZERS				1
16	J106600000C	HEXAGONAL WRENCH KEY 2.5				1
17	J106600000D	HEXAGONAL WRENCH KEY				1
18	J106600000F	HEXAGONAL WRENCH KEY				1
19	J106600000G	HEXAGONAL WRENCH KEY				1
20	GES01022000	VERTICAL ADJUSTMENT SCREW				2
21	J1071000000	CROSS SCREW DRIVER 2				1
22	PJ309520001	SOCKET				1
23	PB000010000	HOSE BAND				1
24	J1067000A00	OILER				1
25	40066088	TAPE				0.4
26	14109607	NEEDLE HOLE GUIDE				1
27	70005195	FORK_PIN_BS_ASM				1
28	70005201	FORK_PIN_BS_ASM				1
29	70005203	FORK_PIN_BS_ASM				1
30	70005323	STOPPER_PLATE				1
31	70005324	STOPPER_PLATE				1
32	70005325	STOPPER_PLATE				1
33	70005327	STOPPER_PLATE				1
34	70005328	STOPPER_PLATE				1

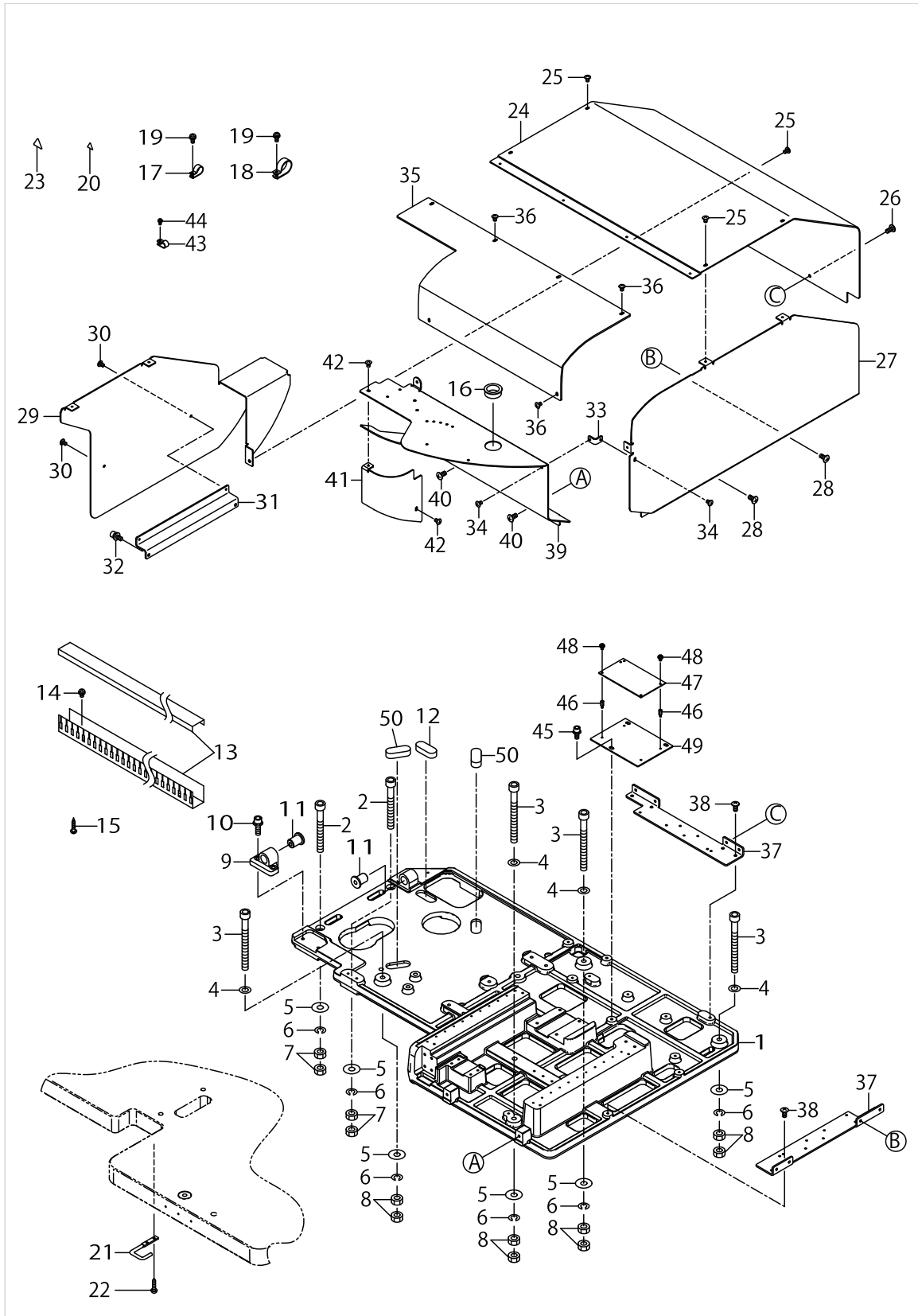
MECHANISM & MISCELLANEOUS COVER COMPONENTS



MECHANISM & MISCELLANEOUS COVER COMPONENTS

No.	Parts No.	Parts name	Remarks	Level	Cons	Qty
1	40093466	UNIT BASE				1
2	SM6087002TN	SCREW M8 L=70				2
3	SM6088502TP	SCREW M8 L=85				4
4	WP0841601SC	WASHER 8.4X17.4X1.6				4
5	WP0852086SC	WASHER M8				6
6	WS0820002KN	SPRING WASHER M8				6
7	NM6080001SC	NUT M8X1.25				4
8	NM6080003SC	NUT M8				8
9	G5506254000	FRAME FIXING HINGE				1
10	SL6062042TN	BOLT				2
11	40068638	BASE PLATE BUSH				2
12	40093468	RUBBER_PAD				1
13	HX000130000	CONDUIT				0.25
14	SL4041091SC	SCREW M4 L=10				4
15	SK3382001SE	SCREW D=3.8 L=20				3
16	HX00188000E	BUSH				1
17	HX00150000H	CABLE CLIP				3
18	HX00150000N	CABLE CLIP				2
19	SL4041091SC	SCREW M4 L=10				5
20	CM300200001	ATTENTION SEAL				3
21	40110938	LOOP GUIDE	WITHOUT LOOP PULL SUPPORT (- AB-1351**A*)			1
22	SK3382001SE	SCREW D=3.8 L=20	WITHOUT LOOP PULL SUPPORT (- AB-1351**A*)			2
23	CM300200002	CAUTION LABEL(25)				4
24	40093438	ROOF COVER				1
25	SM0040601SC	SCREW M4X0.7 L=6				5
26	SM0051001SC	SCREW				2
27	40093437	RIGHT COVER				1
28	SM0051001SC	SCREW				2
29	40093435	LEFT COVER				1
30	SM0040601SC	SCREW M4X0.7 L=6				2
31	40093436	LEFT COVER BR				1
32	SL6051292TN	BOLT				2
33	40075985	COVER ANGLE				1
34	SM0040601SC	SCREW M4X0.7 L=6				2
35	70005247	WINDOW_COVER				1
36	SM0040601SC	SCREW M4X0.7 L=6				6
37	40093450	SBC BRACKET L				2
38	SM0051001SC	SCREW				4
39	70005239	FRONT_COVER				1
40	SM0051001SC	SCREW				2
41	70005280	FRONT_UNDER_COVER				1
42	SM0040601SC	SCREW M4X0.7 L=6				2
43	HX00150000D	CABLE CLIP				4
44	SL4040891SC	SCREW M4 L=8				4
45	SL6051292TN	BOLT				3

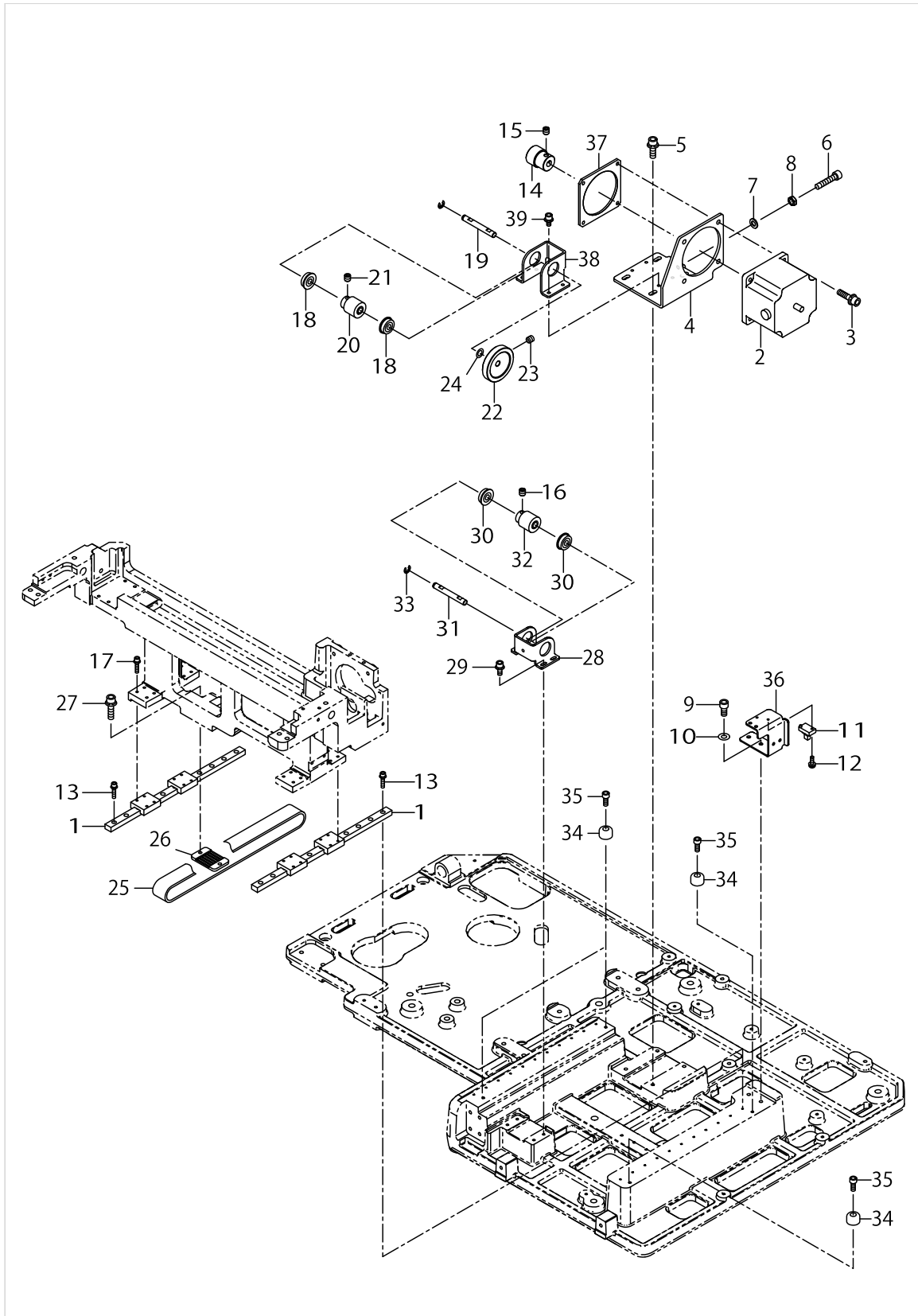
MECHANISM & MISCELLANEOUS COVER COMPONENTS



MECHANISM & MISCELLANEOUS COVER COMPONENTS

No.	Parts No.	Parts name	Remarks	Level	Cons	Qty
46	HX00056000B	SPACER				4
47	40025260	INT PCB ASSY				1
48	SL4030691SC	SCREW M3X6				4
49	40100431	INT PCB PLATE				1
50	70005468	RUBBER PAD ASM.				2

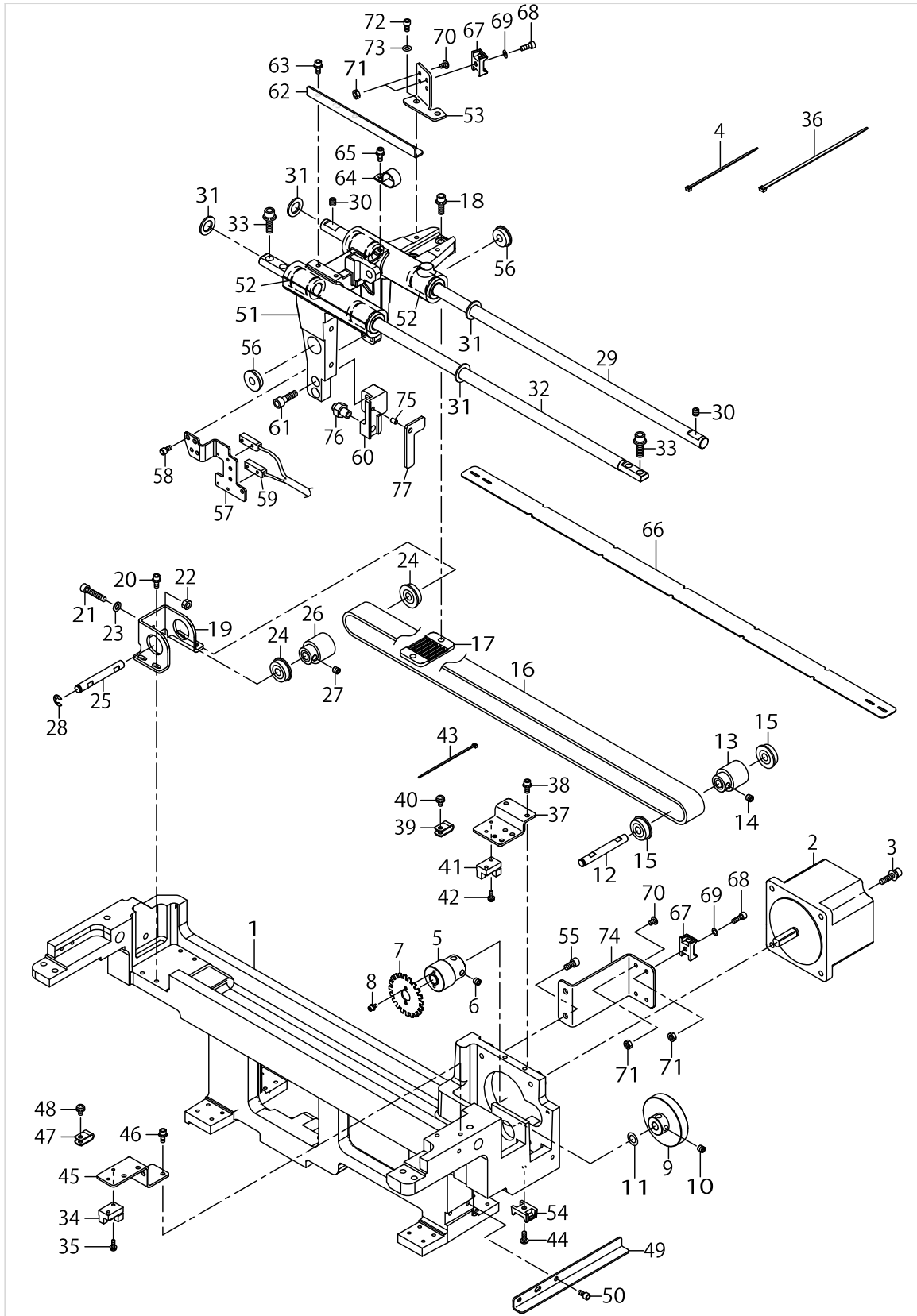
Y MOVEMENT COMPONENTS



Y MOVEMENT COMPONENTS

No.	Parts No.	Parts name	Remarks	Level	Cons	Qty
1	40109547	L_LINEAR_GUIDE				2
2	40090626	X FEED MOTOR				1
3	SL6052092TN	SCREW				4
4	40111144	Y_MOTOR_BRACKET				1
5	SL6051692TN	BOLT				4
6	SM6052502TN	HEXAGONAL-HOLE BOLT				1
7	WP0531001SC	WASHER				1
8	NM6050003SC	NUT M5X0.8				1
9	SM6051002TN	BOLT				2
10	WP0531001SC	WASHER				2
11	HD00057000A	PHOTO SENSOR				1
12	SL4031081SC	SCREW M3X10				2
13	SL6031492TN	SCREW M3 L=14				16
14	40066844	DRIVE GEAR				1
15	SM8060602TP	SCREW M6X6				2
16	SM8060612TP	SCREW M6 L=6				2
17	SL6031492TN	SCREW M3 L=14				16
18	SB108000500	RADIAL BEARING				2
19	40077178	DRIVE SPROCKET SHAFT				1
20	40109552	DRIVE_SPROCKET				1
21	SM8060612TP	SCREW M6 L=6				2
22	40066845	IDLER GEAR 66				1
23	SM8060612TP	SCREW M6 L=6				2
24	WP0820526SD	WASHER 8.2X14X0.5				1
25	40109551	TIMING_BELT				1
26	40032219	BELT RECEIVER				1
27	SL6052092TN	SCREW				2
28	40032191	Y DRIVEN BRACKET				1
29	SL6041092TN	SCREW				4
30	SB108000500	RADIAL BEARING				2
31	40077178	DRIVE SPROCKET SHAFT				1
32	40109552	DRIVE_SPROCKET				1
33	RE0600000K0	E-RING 6				1
34	G5009172000	STOPPER RUBBER				4
35	SL6041242TN	BOLT				4
36	40091420	SENSOR BRACKET Y				1
37	40123249	Y_MOTOR_NUT_PLATE				1
38	40111143	Y_DRIVEN_BRACKET				1
39	SL6040892TN	BOLT				4

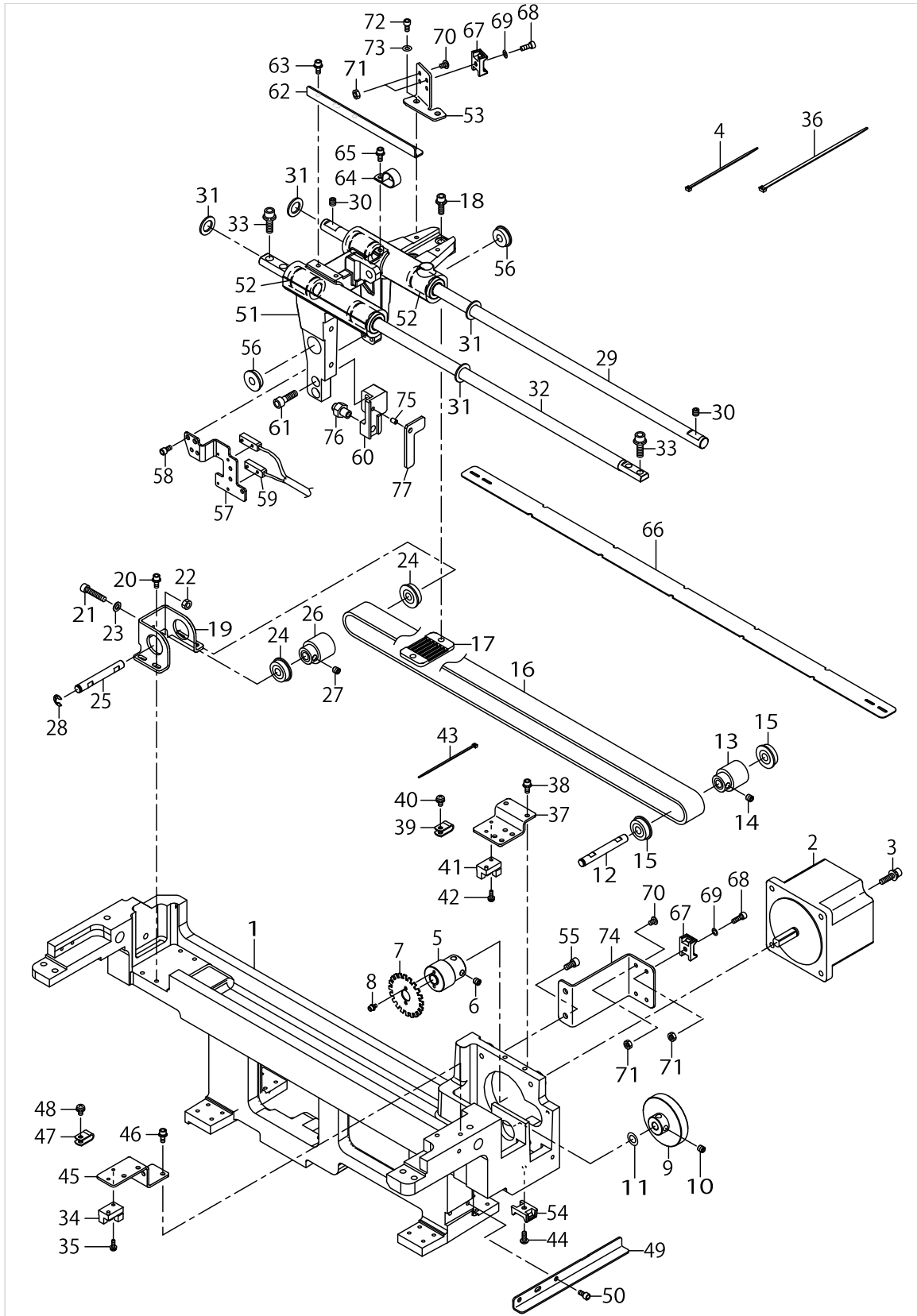
X MOVEMENT COMPONENTS



X MOVEMENT COMPONENTS

No.	Parts No.	Parts name	Remarks	Level	Cons	Qty
1	40091457	XY BASE				1
2	40090626	X FEED MOTOR				1
3	SL6052092TN	SCREW				4
4	EA9500B0100	CABLE BAND				20
5	40066844	DRIVE GEAR				1
6	SM8060602TP	SCREW M6X6				2
7	40078127	DETECTIVE PLATE				1
8	SM6030502TN	SCREW M3 L=5				2
9	40066845	IDLER GEAR 66				1
10	SM8060612TP	SCREW M6 L=6				2
11	WP0820526SD	WASHER 8.2X14X0.5				1
12	40077178	DRIVE SPROCKET SHAFT				1
13	40109552	DRIVE_SPROCKET				1
14	SM8060612TP	SCREW M6 L=6				2
15	SB108000500	RADIAL BEARING				2
16	40109550	TIMING_BELT				1
17	40032219	BELT RECEIVER				1
18	SL6051692TN	BOLT				2
19	40032191	Y DRIVEN BRACKET				1
20	SL6041092TN	SCREW				4
21	SM6052502TN	HEXAGONAL-HOLE BOLT				1
22	NM6050001SC	NUT M5				1
23	WP0531001SC	WASHER				1
24	SB108000500	RADIAL BEARING				2
25	40077178	DRIVE SPROCKET SHAFT				1
26	40109552	DRIVE_SPROCKET				1
27	SM8060612TP	SCREW M6 L=6				2
28	RE0600000K0	E-RING 6				1
29	40111404	X_GUIDE_SHAFT_A				1
30	SM8060612TP	SCREW M6 L=6				2
31	11234408	SOLENOID RUBBER				4
32	40091449	X GUIDE SHAFT B				1
33	SL6062092TN	SCREW M6 L=20				4
34	HD00057000A	PHOTO SENSOR				1
35	SL4031081SC	SCREW M3X10				1
36	EA9500B0200	CABLE BAND 150				20
37	40091455	SENSOR PLATE XD				1
38	SM6040802TN	SCREW				2
39	HX00150000A	CABLE CLAMP				1
40	SL4040891SC	SCREW M4 L=8				1
41	HD00057000A	PHOTO SENSOR				1
42	SL4031081SC	SCREW M3X10				1
43	EA9500B0100	CABLE BAND				1
44	SM4041001SN	SCREW M4X0.7 L=10				1
45	40091456	SENSOR PLATE X HP				1
46	SM6040802TN	SCREW				2
47	HX00150000A	CABLE CLAMP				2

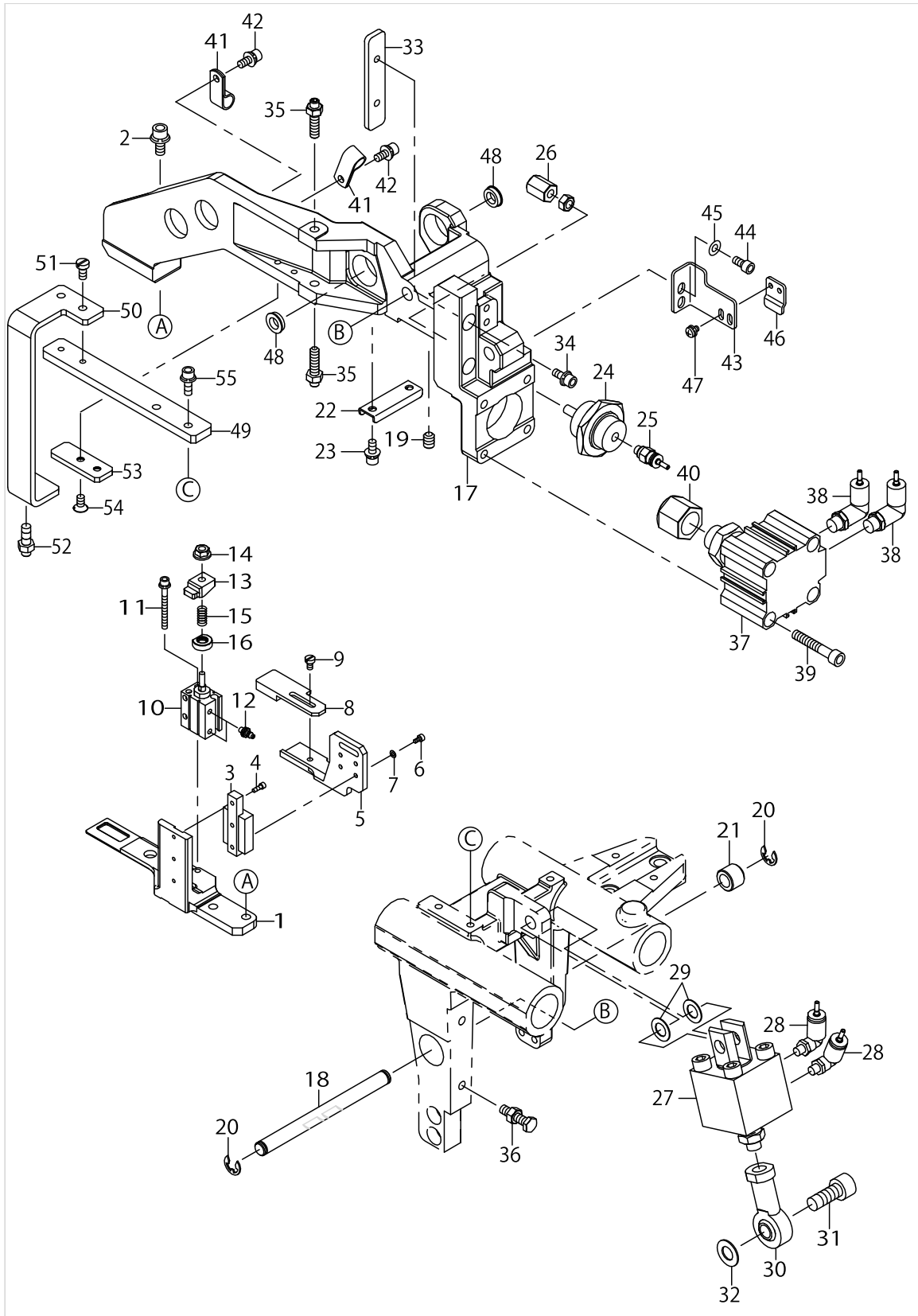
X MOVEMENT COMPONENTS



X MOVEMENT COMPONENTS

No.	Parts No.	Parts name	Remarks	Level	Cons	Qty
48	SL4040891SC	SCREW M4 L=8				2
49	40108790	Y HP SENSOR PLATE				1
50	SM6040802TN	SCREW				2
51	40096105	X M FRAME				1
52	40110934	BEARING				4
53	40091494	TUBE GUIDE PLATE				1
54	HX004540000	TIE MOUNT				1
55	SM6051002TN	BOLT				3
56	SB108002200	BEARING				2
57	40092996	SENSOR BRKT CF				1
58	SM6040802TN	SCREW				2
59	40090647	LOOP CLAMP U/D DETECT SENSOR A				1
60	70005213	STOPPER_BLOCK				1
61	SM6062002TP	SCREW M6 L=20				2
62	40108790	Y HP SENSOR PLATE				1
63	SM6040802TN	SCREW				2
64	HX00150000L	CABLE CLIP				1
65	SL4040891SC	SCREW M4 L=8				1
66	40091462	TUBE SUPPORT				2
67	HX004540000	TIE MOUNT				2
68	SM6041002TN	BOLT				2
69	WP0460556SD	WASHER 4.6X7.5X0.5				2
70	SM0040601SC	SCREW M4X0.7 L=6				2
71	NM6040003SC	NUT M4				4
72	SM6040802TN	SCREW				2
73	WP0430801SE	WASHER 4.3X9X0.8				2
74	40091493	CORD CLAMP PLATE				1
75	22682405	SLIDER BLOCK PIN				1
76	70005245	MAGNET_SCREW				1
77	70005326	STOPPER_PLATE				1

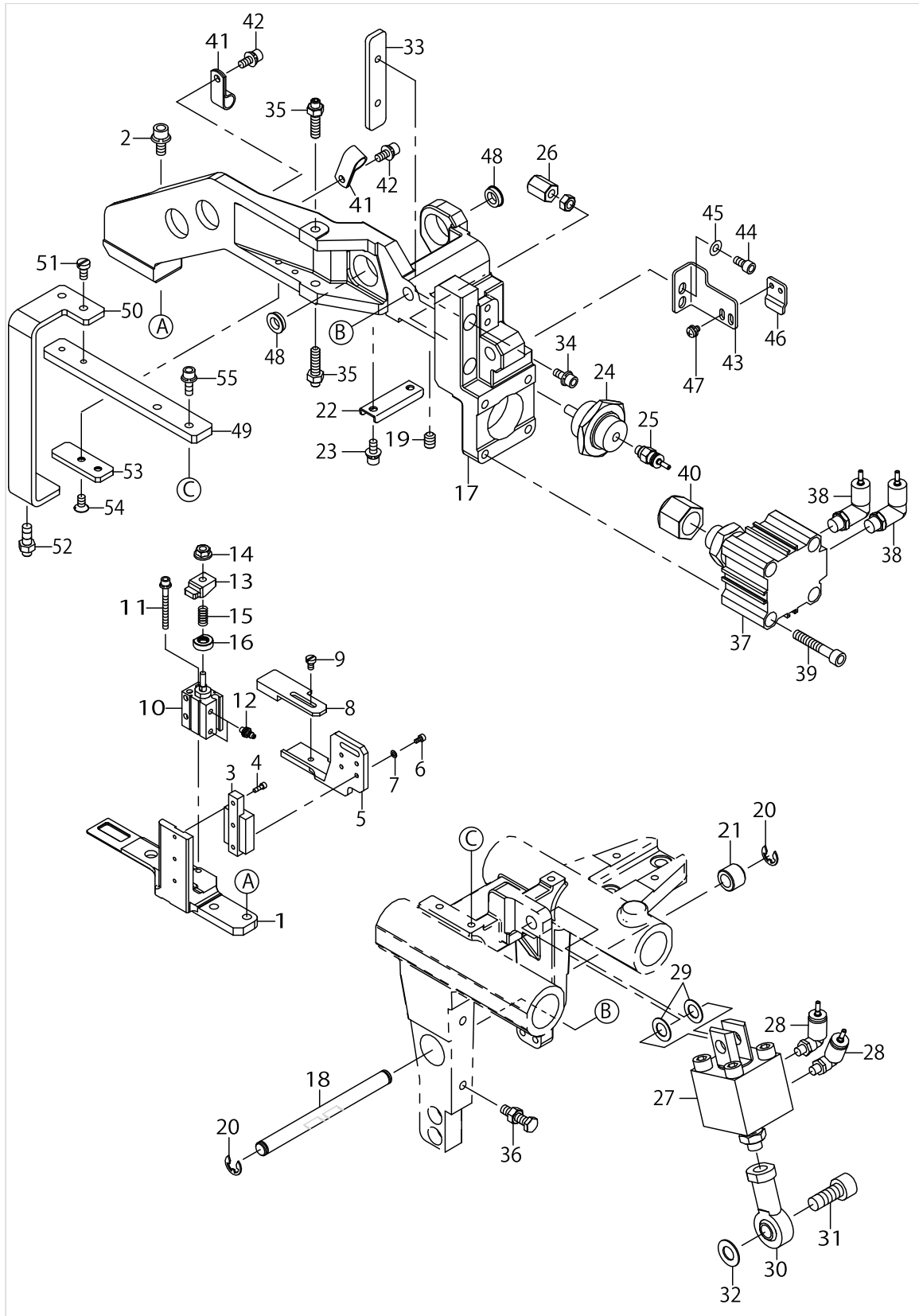
LOOP CLAMP COMPONENTS



LOOP CLAMP COMPONENTS

No.	Parts No.	Parts name	Remarks	Level	Cons	Qty
1	70005207	LOOP_CLAMP_BASE				1
2	SL6051292TN	BOLT				2
3	40109549	LC_LINER_GUIDE				1
4	SM6020602TN	SCREW M2 L=6				3
5	70005458	LOOP CLAMP UPPER				1
6	SM6020402TN	BOLT M2 L=4				4
7	WP0220300SC	WASHER				4
8	70005208	LOOP_CLAMP_C				1
9	SM6030500SN	SCREW M3 L=5				1
10	PA0601017A0	AIR CYLINDER				1
11	SM6033002TN	SCREW M3 L=30				2
12	PJ032039001	CONNECTOR				2
13	40092999	CYLINDER BLOCK M4				1
14	NM3040520SF	FLANGE NUT M4				1
15	40077829	CYLINDER SPRING				1
16	40077847	SPRING HOLDER				1
17	70005211	LOOP_CLAMP_FRAME				1
18	40092916	C F PIVOT				1
19	SM8060812TP	SCREW M6 L=8				2
20	RE0600000K0	E-RING 6				2
21	40077177	SPACE COLLAR				1
22	40067820	TUBE CLAMP				1
23	SL6041092TN	SCREW				2
24	PA1500505A0	AIR CYLINDER				1
25	PJ301040502	HALF UNION 4XM5				1
26	40092934	ROD CAP M5				1
27	PA200100300	THIN-TYPE CYLINDER				1
28	PJ304040504	ELBOW UNION				2
29	WP0820526SD	WASHER 8.2X14X0.5				2
30	16138109	ROD				1
31	SM6082502TN	BOLT				1
32	B1223771000	NEEDLE ROD CRANK WASHER				1
33	40092931	STOPPER PLATE				1
34	SL6041092TN	SCREW				2
35	40093288	STOPPER SCREW A				2
36	40093289	STOPPER SCREW B				1
37	PA3200503A0	AIR CYLINDER				1
38	PJ304040504	ELBOW UNION				2
39	SM6053002TP	SCREW M5X0.8 L=30				4
40	40103227	ROD CAP M14				1
41	HX00150000C	CABLE CLIP				2
42	SL6041092TN	SCREW				2
43	40092997	SENSOR PLATE CF				1
44	SM6040802TN	SCREW				2
45	WP0430801SE	WASHER 4.3X9X0.8				2
46	40092998	SENSOR PLATE SUB				1
47	SL4030581SC	COMBINATION SCREW M3X5				2

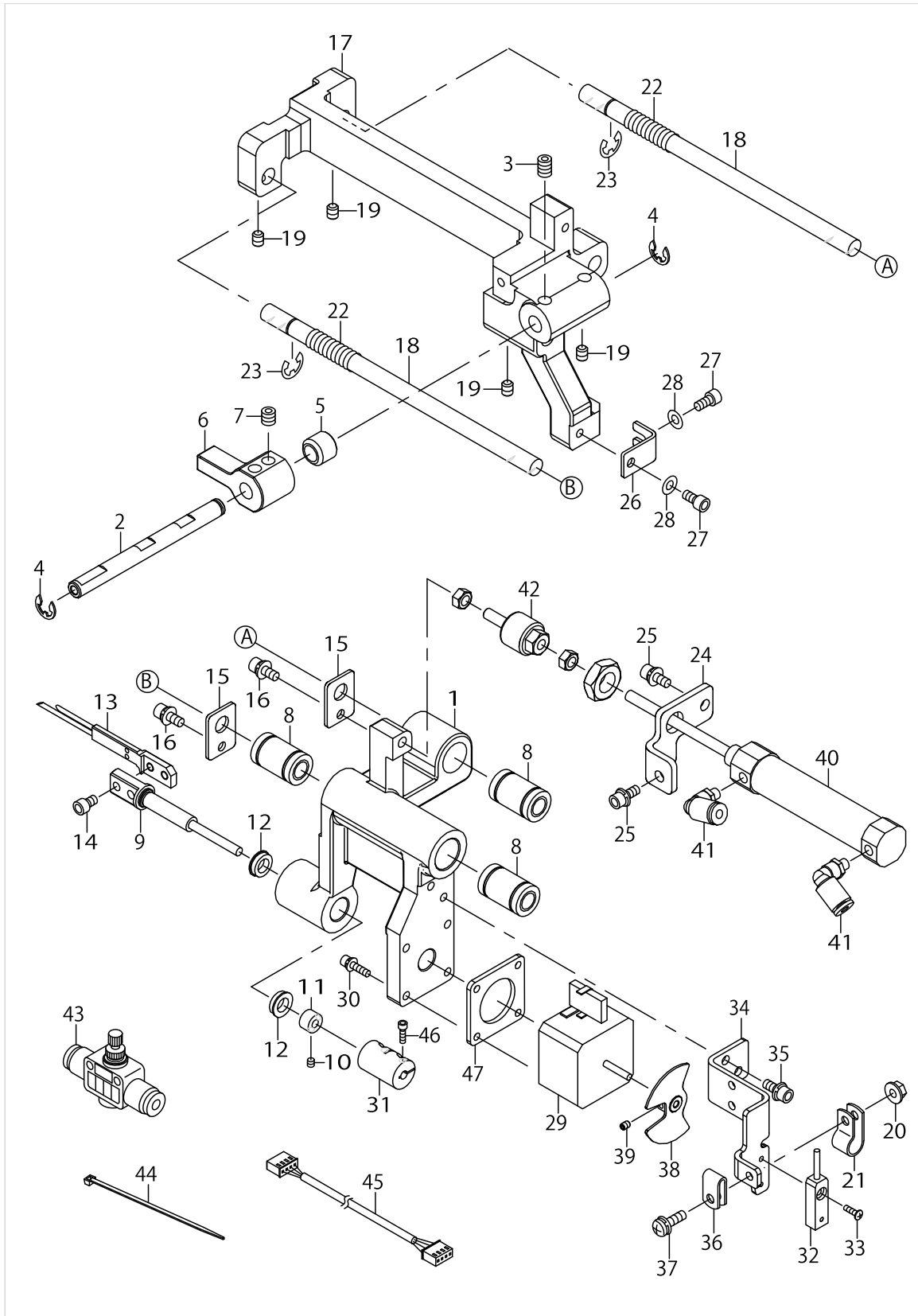
LOOP CLAMP COMPONENTS



LOOP CLAMP COMPONENTS

No.	Parts No.	Parts name	Remarks	Level	Cons	Qty
48	SB108002200	BEARING				2
49	70005210	BLOCK				1
50	70005209	STOPPER_BRACKET				1
51	SM6040800SP	SCREW				2
52	70005249	ADJUSTING_SCREW_SET				1
53	70005212	STOPPER_PLATE				1
54	SM1040800SP	SCREW				2
55	SL6041292TN	SCREW				2

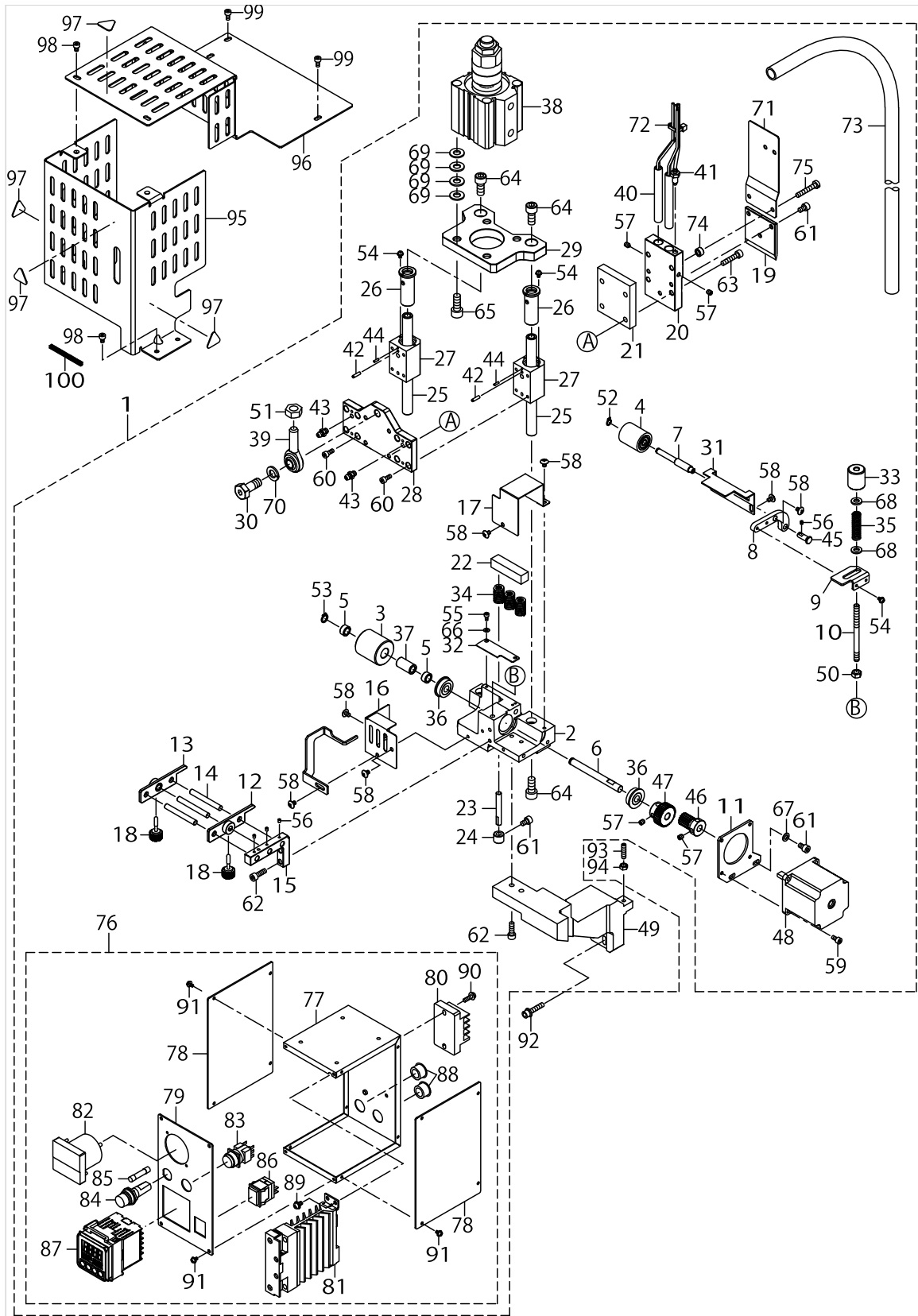
FORK COMPONENTS



FORK COMPONENTS

No.	Parts No.	Parts name	Remarks	Level	Cons	Qty
1	40096107	FORK BASE				1
2	40092926	FORK F PIVOT				1
3	SM8060812TP	SCREW M6 L=8				2
4	RE0600000K0	E-RING 6				1
5	40077177	SPACE COLLAR				1
6	40092910	STOPPER F				1
7	SM8060612TP	SCREW M6 L=6				2
8	40110932	BEARING				3
9	40099407	FORK SHAFT				1
10	SM8030312TP	SCREW M3 L=3				2
11	CS0400671TP	THRUST COLLAR D=4 W=5.5				1
12	SB107000400	BEARING				2
13	70005199	FORK_PIN_BS_ASM			☆	1
14	SM6040652TP	SCREW M4 L=6				2
15	40092929	SPRING HOLDER R				2
16	SM6040802TN	SCREW				2
17	40096106	FORK FRAME				1
18	40092925	F GUIDE SHAFT				2
19	SM8050612TP	SCREW M5X6				4
20	NM3040520SC	NUT M4				1
21	HX00150000C	CABLE CLIP				1
22	40092930	SPRING DAMPER				2
23	RE0600000K0	E-RING 6				2
24	40092927	CYLINDER BRACKET				1
25	SL6041092TN	SCREW				2
26	40092993	PROTECT PLATE				1
27	SM6040802TN	SCREW				2
28	WP0430801SE	WASHER 4.3X9X0.8				2
29	70005177	FOLK MOTOR				1
30	SL6031292TN	BOLT				4
31	40111701	FORK_COUPLING				1
32	40090645	FORK TURN MOTOR ORG SENSOR ASSY				1
33	SM0850801SC	SCREW M2.5 L=8				1
34	70005205	SENSER_BRACKET_FM				1
35	SM6040602TN	BOLT				2
36	HX001500000	CLIP				1
37	SL4041491SC	SCRE W4X14				1
38	40092935	SENSOR SLIT F ASM.				1
39	SM8030412TP	SCREW				2
40	PA1604510A0	AIR CYLINDER				1
41	PJ304040504	ELBOW UNION				2
42	PX5000100A0	FLOATING JOINT				1
43	PC012401000	SPEED CONTROLLER				2
44	EA9500B0100	CABLE BAND				5
45	40090575	FORK TURN MOTOR RELAY CORD ASSY				1
46	SM6850802TN	SCREW M2.5 L=8				1
47	70005206	BRACKET				1

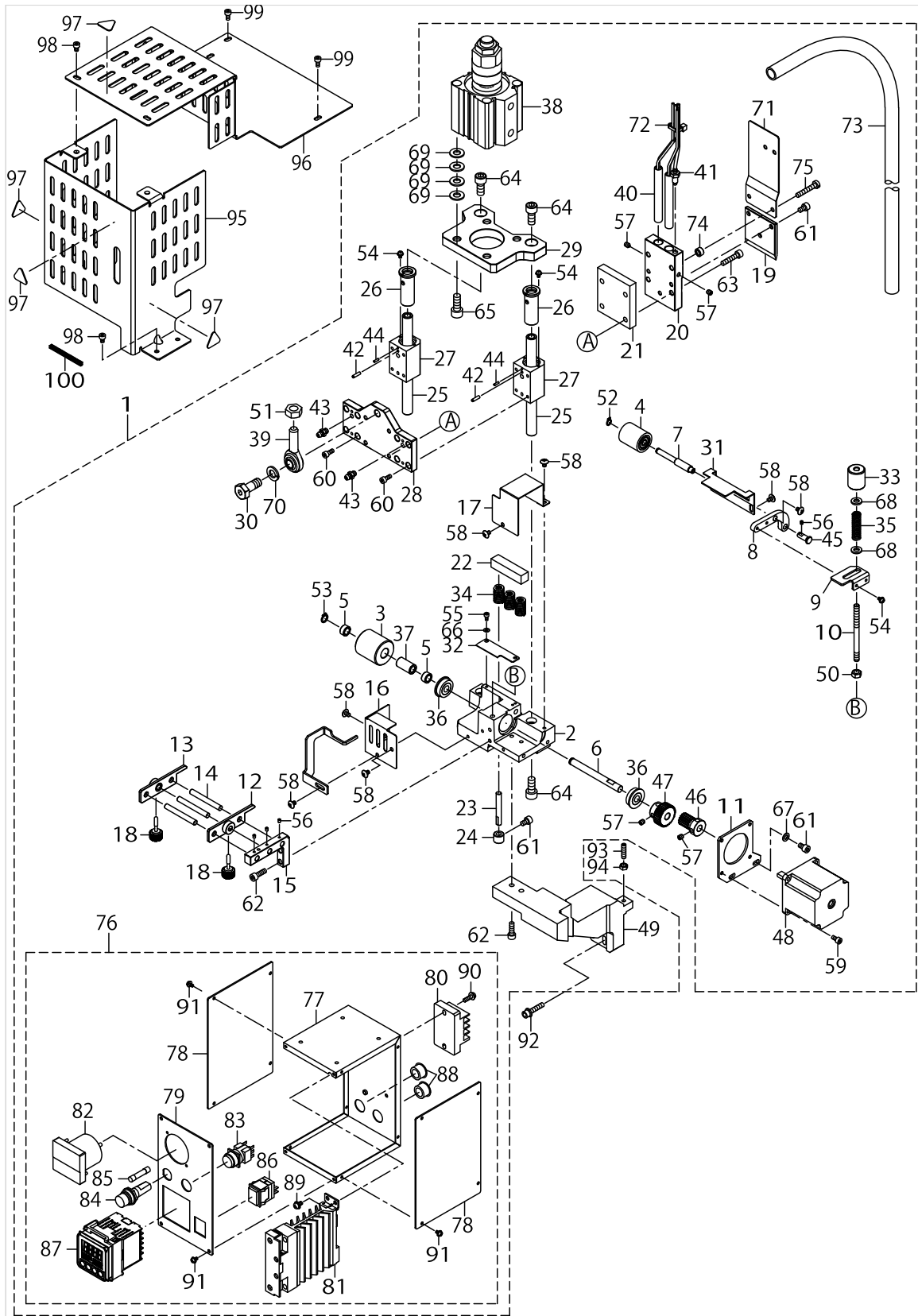
HEAT CUTTER COMPONENTS



HEAT CUTTER COMPONENTS

No.	Parts No.	Parts name	Remarks	Level	Cons	Qty
1	40172347	LOOP_FEED_CUT_DEVISE				1
2	40172182	FEED_BASE		*		1
3	40172183	FEED_ROLLAR		*		1
4	40172184	UPPER_ROLLAR		*		1
5	40172185	BUSHING		*		2
6	40172186	FEED_ROLLAR_SHAFT		*		1
7	40172187	UPPER_ROLLAR_SHAFT		*		1
8	40172188	LINK		*		1
9	40172189	LEVER		*		1
10	40172190	ROLLAR_PRESSURE_ADJUSTING		*		1
11	40172191	MOTOR BRACKET		*		1
12	40172192	GUIDE_PLATE_R		*		1
13	40172193	GUIDE_PLATE_L		*		1
14	40172194	LOOP_GUIDE_SHAFT		*		3
15	40172195	BASE		*		1
16	40172196	ROLLAR_COVER		*		1
17	40172197	GEAR_COVER		*		1
18	40172198	KNOB		*		2
19	40172199	CUTTER_MOVING_KNIFE		*		1
20	40172200	CUTTER_BLOCK		*		1
21	40172201	HEAT_INSLATION_BLOCK		*		1
22	40172202	KNIFE_CHOPPING_BOARD		*		1
23	40172203	BOLT		*		3
24	40172204	COLLAR		*		3
25	40172205	MIAN_SHAFT		*		2
26	40172206	BUSHING		*		2
27	40172207	CONNECTION_BLOCK		*		2
28	40172208	CUTTER_BRACKET		*		1
29	40172209	UPPER_BASE		*		1
30	40172210	REAMER_BOLT		*		1
31	40172211	UPPER_STOPPER		*		1
32	40172212	PLATE		*		1
33	40172213	KNOB		*		1
34	40172214	KNIFE_PRESSURE_SPRING		*		3
35	40172215	ROLLAR_PRESSURE_SPRING		*		1
36	SB108000500	BEARING		*		2
37	40172217	ROLLAR_CLUTCH		*		1
38	40172218	AIR_CYLINDER		*		1
39	40172219	ROD_END		*		1
40	40172220	CARTRIDGE_HEATER		*		1
41	40172221	SENSOR		*		1
42	40172222	KNOCK_PIN		*		2
43	40172223	GREASE_NIPPLE		*		2
44	40172224	SPRING_PIN		*		2
45	40172260	HINGE_PIN		*		1
46	26501502	LENGTHWISE FEED GEAR		*		1
47	40030947	X_DRIVEN_GEAR		*		1

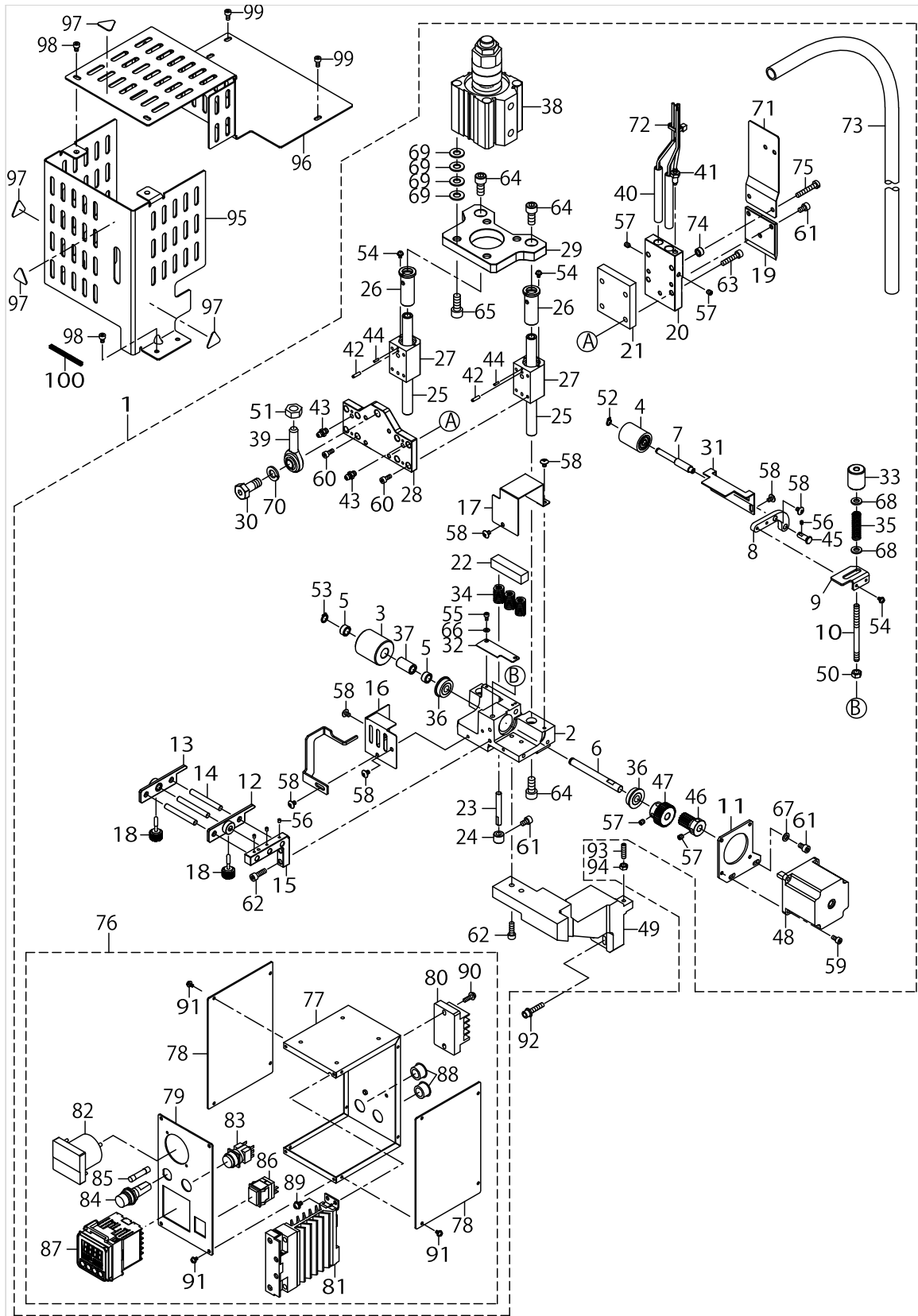
HEAT CUTTER COMPONENTS



HEAT CUTTER COMPONENTS

No.	Parts No.	Parts name	Remarks	Level	Cons	Qty
48	40090634	LOOP FEED MOTOR		*		1
49	40091846	FEED_ASSY_BLOCK		*		1
50	NM6100001SF	NUT M10 TYPE1		*		1
51	NM6060002SF	FINISH NUT M6		*		1
52	RC0560711KP	C-RING 6 (5.6)		*		1
53	RC0740811KP	C-RING 8 (7.4)		*		1
54	SL4030691SF	SCREW M3 L=6		*		8
55	SM6030602TP	SCREW M3X0.5 L=6		*		2
56	SM8030402TP	SCREW M3X0.5 L=4		*		4
57	SM8050602TP	SCREW M5 L=6		*		8
58	SM0040601SC	SCREW M4X0.7 L=6		*		8
59	SM6040802TP	SCREW M4X0.7 L=8		*		4
60	SM6041002TP	SCREW M4X0.7 L=10		*		8
61	SM6050802TP	SCREW M5X0.8 L=8		*		8
62	SM6051602TP	SCREW M5X0.8 L=16		*		4
63	SM6052502TP	SCREW M5X25		*		2
64	SM6081802TP	SCREW		*		4
65	SM6082002TP	SCREW M8 L=20		*		4
66	WP0320501SF	WASHER M3		*		2
67	WP0531001SF	WASHER M5		*		2
68	WP0641601SC	WASHER M6		*		2
69	WP0841601SC	WASHER M8		*		16
70	WS1002560KR	SPRING WASHER 10X18X2.5		*		1
71	40175802	PLATE		*		1
72	40175771	CABLE BAND		*		1
73	40175825	TUBE		*		1
74	40176404	COLLAR		*		2
75	SM6053000SE	SCREW M5X0.8 L=30		*		2
76	40182370	TEMPERATURE CONTROLLER ASSY		*		1
77	40172225	CONTROL BOX		*		1
78	40172226	GATE_PLATE		*		2
79	40182371	FACE_PLATE		*		1
80	40172228	TERMINAL		*		1
81	40172229	RELAY		*		1
82	40182372	CURRENT_METER		*		1
83	40172231	BUTTON_SWITCH		*		1
84	40172232	FUSE HOLDER		*		1
85	40172233	FUSE		*		1
86	40172234	SWITCH		*		1
87	40172235	TEMPERATURE_CONTROLLER		*		1
88	40172236	BUSH		*		2
89	SL4040891SC	SCREW M4X8		*		2
90	SL4041491SC	SCREW M4 L=14		*		2
91	SL4030691SF	SCREW M3 L=6		*		12
92	SL6052592TN	BOLT				2
93	SM8052002TP	SCREW M5X0.8 L=20				1
94	NM6050001SC	NUT M5X0.8 TYPE1				1

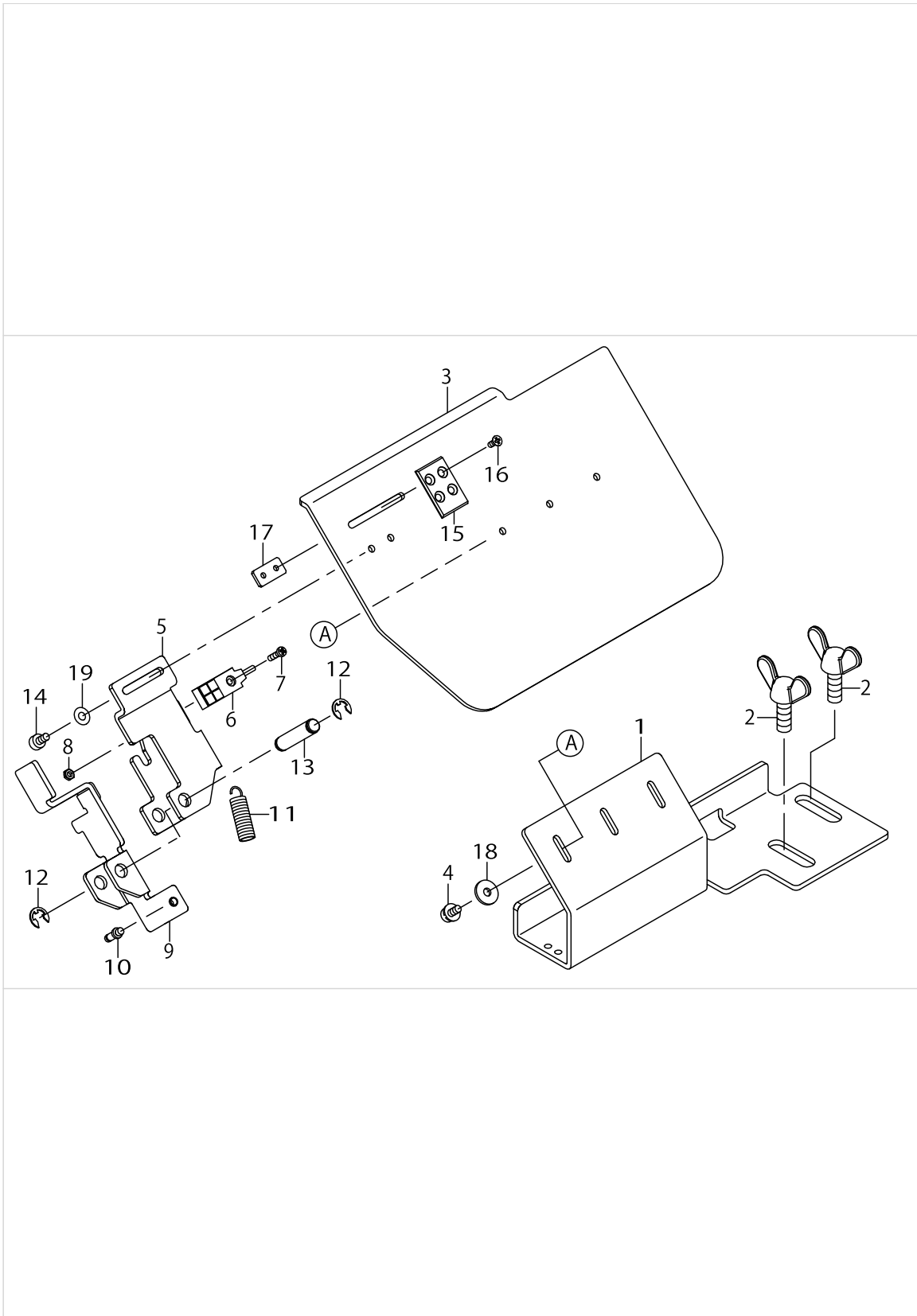
HEAT CUTTER COMPONENTS



HEAT CUTTER COMPONENTS

No.	Parts No.	Parts name	Remarks	Level	Cons	Qty
95	70005193	COVER				1
96	70005194	COVE_REAR				1
97	CM300300002	LABEL2 (25)				4
98	SM6040602TP	SCREW M4 L=6				4
99	SM6040802TP	SCREW M4X0.7 L=8				3
100	E5348033100	CABLE PROTECTOR 106MM				1

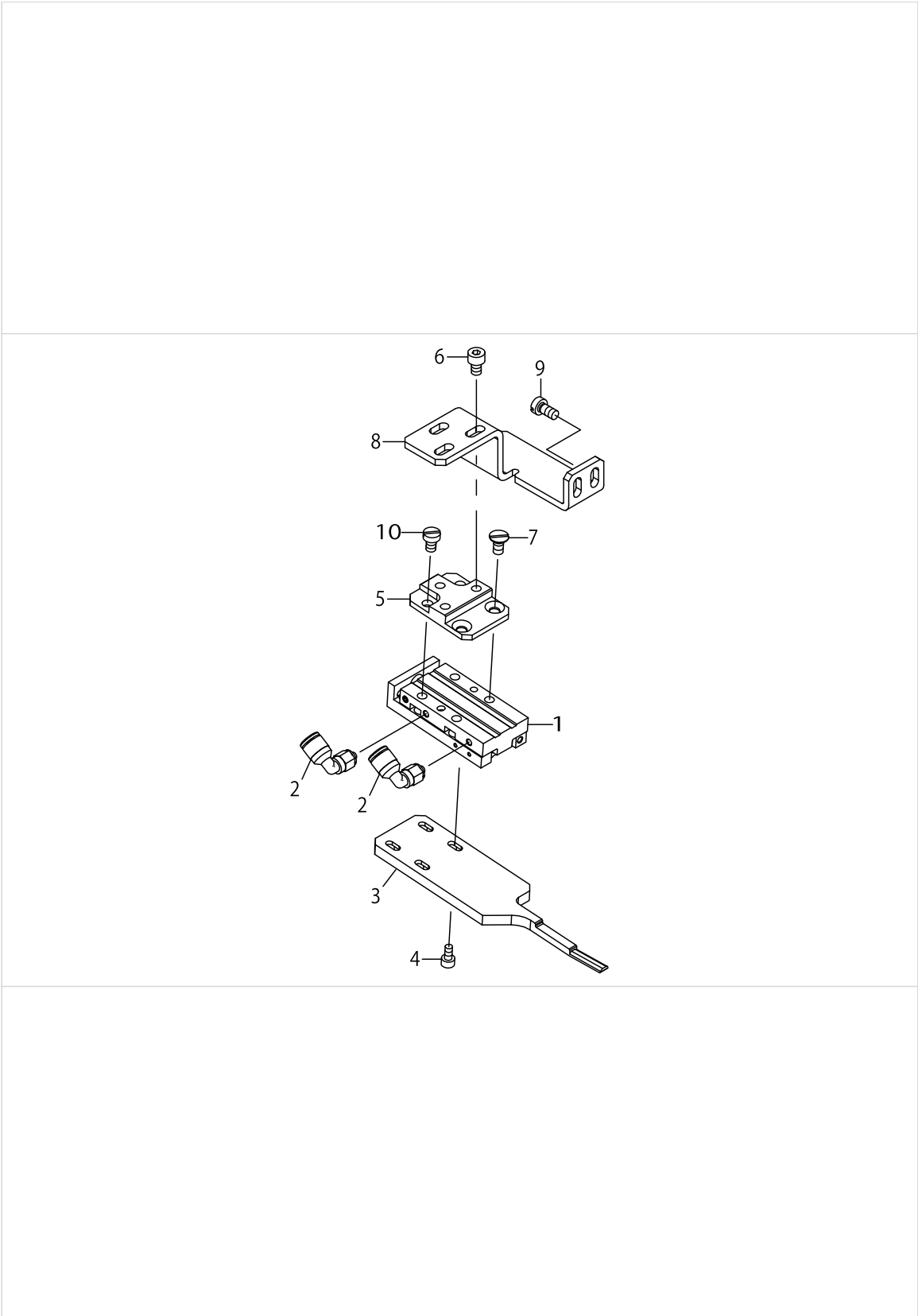
SUB TABLE COMPONENTS



SUB TABLE COMPONENTS

No.	Parts No.	Parts name	Remarks	Level	Cons	Qty
1	40106806	SUB TABLE R SUPPORT BR				1
2	GTR02013000	WING SCREW				2
3	40106809	BAND TABLE				1
4	SL6040842TN	SCREW M4 L=8				3
5	40106807	BAND SWITCH BR				1
6	40090644	START SW SENSOR ASSY				1
7	SM4031201SC	SCREW M3X12				1
8	NM6030003SC	NUT M3				1
9	40093402	BAND SWITCH PL				1
10	17850603	SPRING PACK SHAFT				1
11	23508104	ADJUSTING LINK SPRING				1
12	RE0600000K0	E-RING 6				2
13	G2581312000	IDLER A				1
14	SM6450610TP	SCREW				2
15	40097154	BAND CHECK PLATE L				1
16	SM1030801SN	SCREW M3X0.5 L=8				2
17	40097155	STOPPER NUT				1
18	WP0461516SH	WASHER				3
19	WP0450801SP	WASHER				2

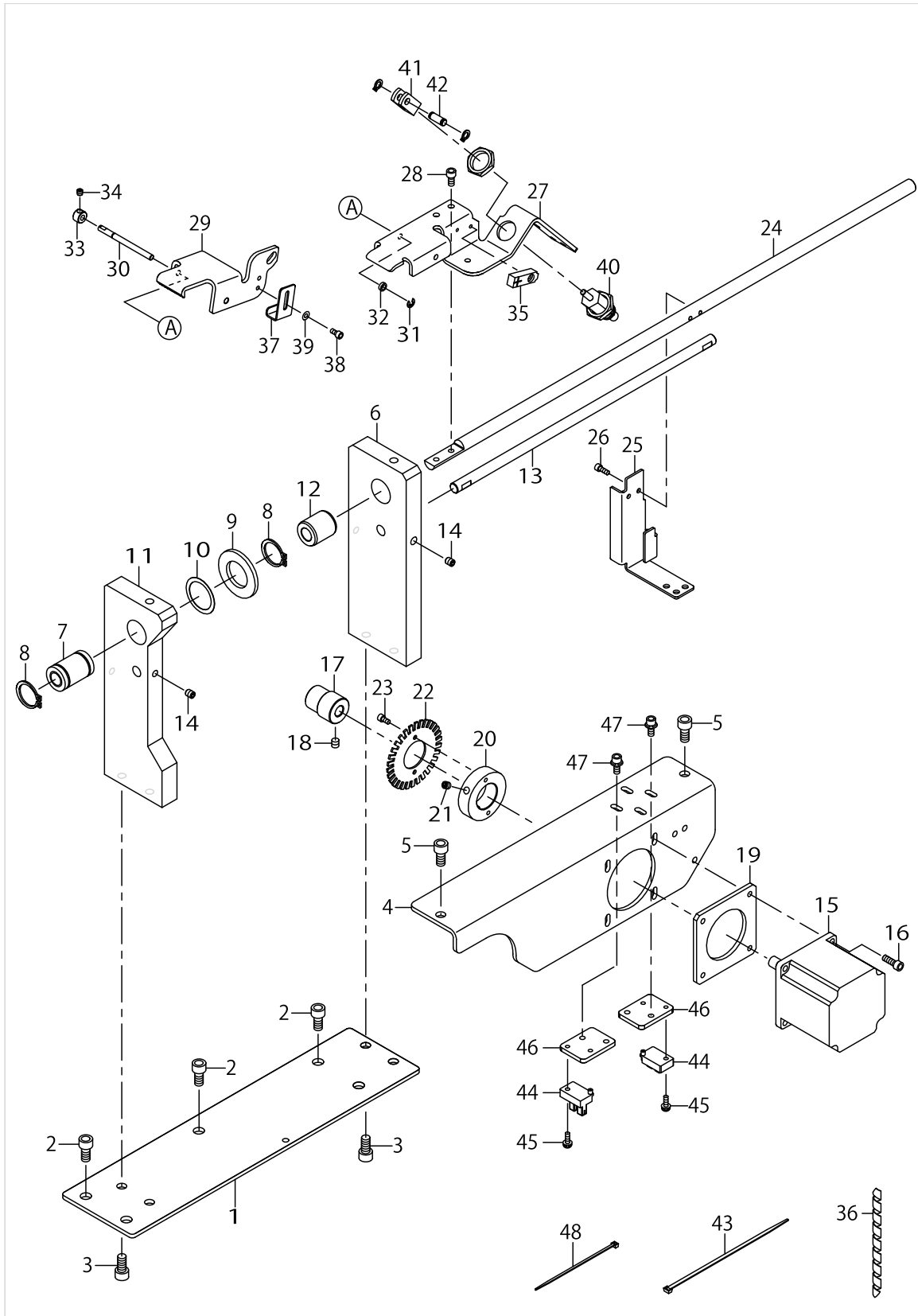
LOOP LOOSENER COMPONENTS



LOOP LOOSENER COMPONENTS

No.	Parts No.	Parts name	Remarks	Level	Cons	Qty
1	70005231	AIR_CYLINDER				1
2	PJ304040301	UNION ELBOW M3				2
3	70005232	LOOSENER				1
4	SM6030602TP	SCREW M3X0.5 L=6				4
5	70005233	BASE				1
6	SM6040602TP	SCREW M4 L=6				3
7	SM1040800SP	SCREW				2
8	70005234	BRACKET				1
9	SM6040800SP	SCREW				2
10	SM6040600SP	SCREW M4 L=6				2

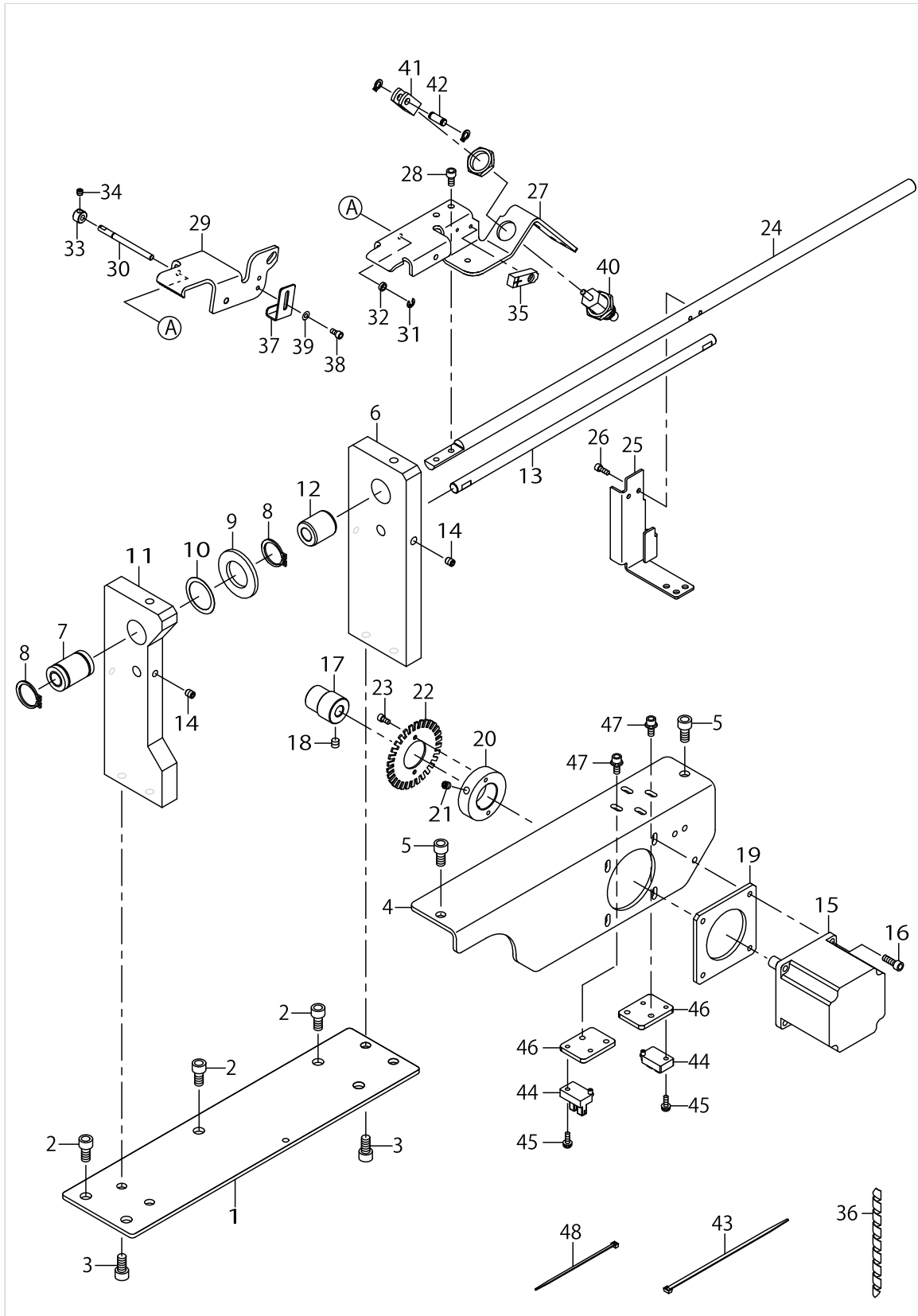
CLAMP FEED COMPONENTS



CLAMP FEED COMPONENTS

No.	Parts No.	Parts name	Remarks	Level	Cons	Qty
1	40110724	CLAMP_FEED_BASE_PLATE				1
2	SM6061202TN	BOLT				5
3	SM6061202TN	BOLT				4
4	40091388	MOTOR BASE				1
5	SM6061202TN	BOLT				2
6	40110725	BEARING_PLATE_R				1
7	SB710000200	SLIDE BEARING				1
8	RC1900001KP	C-RING				2
9	WP2103001SE	PLAIN WASHER				1
10	WZ2200300KP	WAVED WASHER				1
11	40110726	BEARING_PLATE_F				1
12	23612807	METAL A				1
13	40091390	GUIDE SHAFT				1
14	SM8050612TP	SCREW M5X6				2
15	40090634	LOOP FEED MOTOR				1
16	SM6041202TN	SCREW M4X0.7 L=12				4
17	40091391	CLAMP FEED MOTOR GEAR				1
18	SM8050592TP	SCREW				2
19	40071742	MOTOR NUT PLATE				1
20	40091392	D PLATE BOSS				1
21	SM8050512TP	SCREW				2
22	40091393	DETECTIVE PLATE				1
23	SM6030602TN	HEX SCREW M3X6				2
24	40091394	CLAMP FEED SHAFT				1
25	40091395	CLAMP FEED GUIDE PLATE				1
26	SM6030802TN	BOLT				2
27	40091398	LOOP CLAMP BASE PLATE				1
28	SM6040802TN	SCREW				2
29	40091399	LOOP CLAMP LEVER				1
30	40091400	LOOP CLAMP LEVER SHAFT				1
31	RE0300000K0	E-RING 3				1
32	13440904	SPACER 1				1
33	13172903	COLLAR				1
34	SM8040412TP	SET SCREW M4 L=4				1
35	40090643	LOOP CATCH DETECT SENSOR ASSY				1
36	HX001890000	SPIRAL TUBE				0.7
37	40066677	LOOP SENSOR PLATE				1
38	SM6030602TN	SCREW M3X6				2
39	WP0320500SC	WASHER M3				2
40	PA1001025A0	PIN CYLINDER				1
41	40091401	JOINT				1
42	16905606	KNUCKLE PIN B				1
43	EA9500B0200	CABLE BAND 150				2
44	HD00057000A	PHOTO SENSOR				2
45	SL4031081SC	SCREW M3X10				2
46	40091402	SENSOR PLATE				2
47	SL6041092TN	SCREW				4

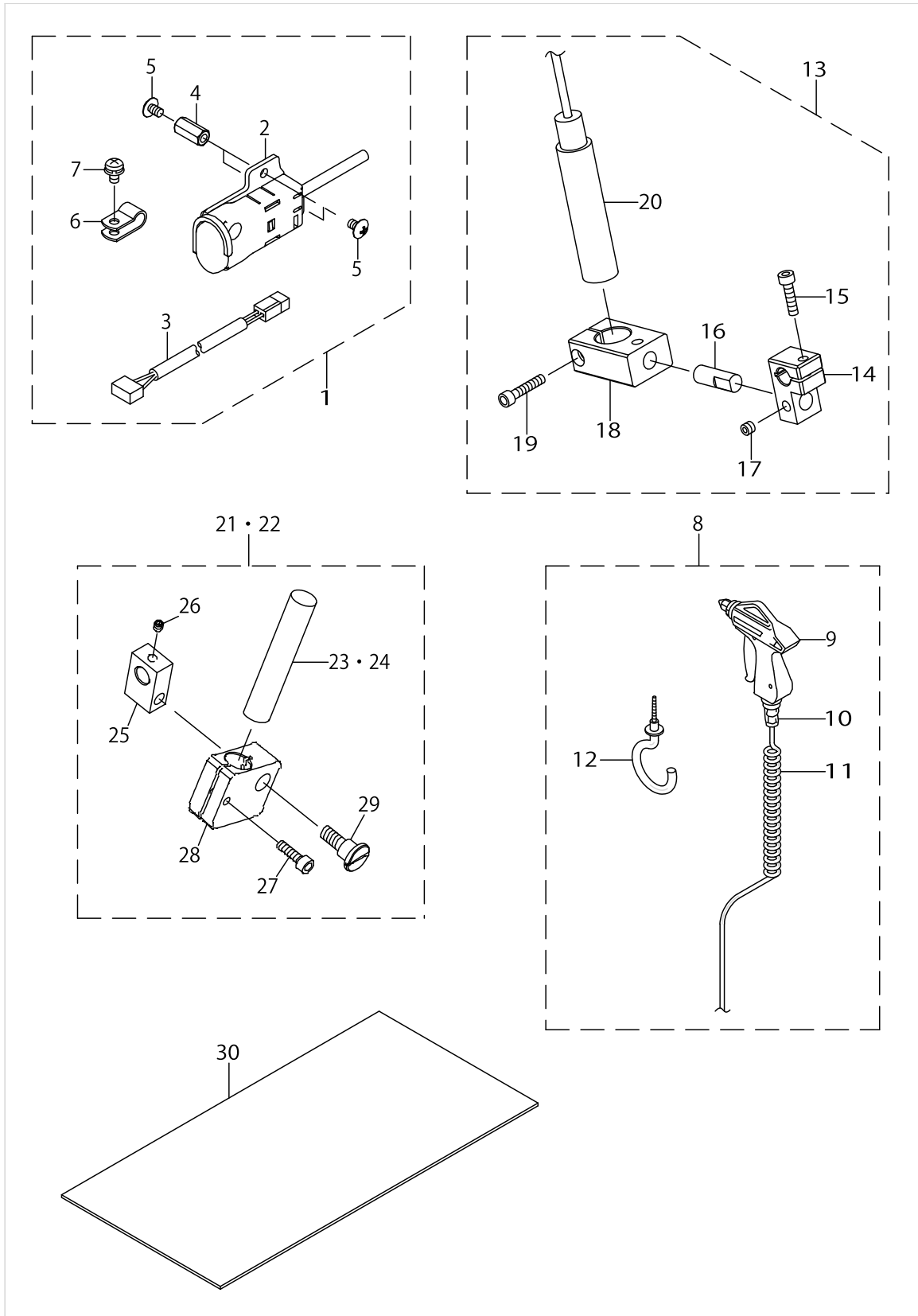
CLAMP FEED COMPONENTS



CLAMP FEED COMPONENTS

No.	Parts No.	Parts name	Remarks	Level	Cons	Qty
48	EA9500B0100	CABLE BAND				8

OPTIONAL PARTS COMPONENTS



OPTIONAL PARTS COMPONENTS

No.	Parts No.	Parts name	Remarks	Level	Cons	Qty
1	40097205	INTERMEDIATE STOP SWICH ASSY				1
2	32002354	SWITCH ASM.		*		1
3	40043994	STOP SW RELAY CORD ASM.		*		1
4	HX00337000A	SPACER		*		2
5	SM0040601SC	SCREW M4X0.7 L=6		*		4
6	HX00150000B	CABLE CLIP		*		1
7	SL4040891SC	SCREW M4 L=8		*		1
8	40111887	AIR GUN ASSY				1
9	40044823	AIR GUN		*		1
10	PJ301065201	HALF UNION 6XPT1/4		*		1
11	GSS36020000	COIL TUBE		*		1
12	MAT81163T00	CORD HOLDER		*		1
13	40111891	LED MARKING ASSY				1
14	40091172	MARKER FIXED BLOCK		*		1
15	SM6041602TP	SCREW M4X0.7 L=16		*		1
16	40091173	MARKER FIXED SUB ROD		*		1
17	SM8050412TP	SCREW M5 L=4		*		2
18	40067813	MARKER BRACKET		*		1
19	SM6042002TP	SCREW M4X0.7 L=20		*		1
20	40090637	LED MARKING		*		1
21	40111906	LASER MARKING 130 ASSY	TYPE 130MM			1
22	40111907	LASER MARKING 300 ASSY	TYPE 300MM			1
23	HE000520000	LAMP	TYPE 130MM	*		1
24	HE000530000	LAMP	TYPE 300MM	*		1
25	40034002	FIXED HOLDER B		*		1
26	SM8040412TP	SET SCREW M4 L=4		*		1
27	SM6041602TP	SCREW M4X0.7 L=16		*		1
28	40034001	FIXED HOLDER A		*		1
29	SD0900706TP	SHOULDER SCREW D=9 H=7		*		1
30	40091162	SPONGE				1

HOW TO MAKE USE OF THIS PARTS LIST

1.Explanation of codes

1)"*"mark.....means this part is changed from the previous parts book.

As to the details of the change, refer to the "List for information of change".

2)"#01".....refer to "Note" explanation at bottom of page.

2.Codes on the "Qty" column

- Each numeral indicates the number of parts required.
- "0.1" and "2.5" indicate the length (in meters) of the respective parts.

3.Parentheses mean that the corresponding part is a subpart that constructs an assembly part.

4.Dotted lines on the Figures indicate assembly parts.

5.As to the parts with marks of "☆"(consumable parts) and "◎"(optional parts)on the respective parts, it is recommended to prepare spares.

1."注記"欄の記号説明

1) "*"印.....前回のパーツブックに比較して今回変更された部品を意味します。

変更内容は、"変更情報リスト"を参照してください。

2) "#01".....ページ下の"注記"の説明を参照してください。

2.数量欄の数字は、個数を表し、0.1、2.5等の数値は、長さ（単位メートル）を表します。

3.数量欄の（ ）は、組部品を構成している子部品であることを意味します。

4.イラストページの-----枠は、組構成であることを意味します。

5.リストページの"☆"（消耗部品）、"◎"（オプション部品）の印がついた部品は、予備を準備しておくことをお奨めします。

NUMERICAL INDEX OF PARTS

PART NO	PAGE	REF NO.	PART NO	PAGE	REF NO.	PART NO	PAGE	REF NO.
10108009	8	20	22920508	2	37	26261503	4	78
10502300	2	46	22921506	20	30	26261602	4	60
11072402	2	27	22921605	20	40	26261701	4	61
11158300	40	5	22928808	20	29	26500306	10	61
11158409	40	6	22932800	54	1	26501403	26	13
11158516	40	31	22933006	54	11	26501502	26	23
11234408	62	31	22933105	54	13	26501502	72	46
12288403	54	15	22933204	54	12	26501858	16	24
13172903	82	33	22955900	42	60	26910059	38	25
13440904	82	32	23508104	78	11	32002354	86	2
13508700	2	16	23517501	22	39~42	40000046	46	6
13509807	14	50	23517600	22	39~42	40000046	48	35
13529607	16	34	23517709	22	39~42	40003458	46	22
13705108	2	39	23517808	22	39~42	40004254	12	5
13812102	18	54	23604309	10	57	40005394	46	8
13812102	54	5	23612807	82	12	40005394	50	81
13816855	2	15	23630007	16	33	40005401	46	14
14101208	42	65	23638109	36	8	40005401	48	26
14101208	54	2	23638208	36	10	40005660	36	17
14103352	18	67	23638406	36	11	40005664	36	16
14103907	16	27	26037200	6	23	40005664	48	47
14104004	16	25	26204008	30	18	40005725	36	18
14104400	12	41	26211607	2	29	40005726	46	9
14105407	30	21	26211904	2	33	40005726	50	82
14109607	54	26	26218008	12	32	40005727	46	10
14111504	26	46	26218602	20	31	40005727	50	83
14111702	26	44	26221101	2	17	40005729	36	1
14113450	2	24	26221200	2	18	40005729	50	79
14113468	2	23	26222703	26	26	40005730	36	4
14115554	36	20	26223305	26	28	40005730	50	76
14136402	28	52	26226209	12	24	40005731	36	2
14411003	32	57	26260000	4	56	40005731	50	77
16138109	66	30	26260109	4	62	40005732	36	3
16905606	82	42	26260208	4	63	40005732	50	78
17007402	40	8	26260307	4	69	40005733	36	5
17079807	42	50	26260406	4	71	40005733	50	80
17079906	42	49	26260505	4	73	40005734	36	12
17833658	40	9	26260604	4	75	40005734	50	73
17845009	46	17	26260703	4	77	40006323	54	8·9
17850603	78	10	26260802	4	59	40006475	2	1
20104402	6	4	26260901	4	64	40006478	2	3
22682405	64	75	26261008	4	65	40006495	36	6
22891006	8	31	26261107	4	66	40006496	36	7
22901409	4	81	26261206	4	72	40006497	36	9
22901805	2	47	26261305	4	70	40006515	10	65

NUMERICAL INDEX OF PARTS

PART NO	PAGE	REF NO.	PART NO	PAGE	REF NO.	PART NO	PAGE	REF NO.
40006516	10	67	40010405	2	13	40010504	20	28
40006532	8	32	40010414	2	31	40010508	20	32
40006534	8	28	40010417	8	9	40010509	20	44
40006535	8	29	40010424	8	46	40010510	20	33
40006573	16	18	40010425	8	47	40010511	20	34
40006577	16	28	40010426	10	48	40010512	20	35
40006578	16	15	40010427	10	49	40010513	20	36
40006580	18	58	40010428	8	45	40010514	20	37
40006617	20	5	40010439	10	53	40010515	20	38
40006622	20	26	40010440	10	54	40010521	20	41
40006625	20	4	40010441	10	73	40010522	20	42
40006628	20	1	40010442	10	74	40010523	20	43
40006628	48	14	40010443	12	16	40010525	22	12
40006661	12	8	40010450	12	40	40010526	22	16
40006665	12	9	40010451	12	33	40010527	34	20
40006666	12	13	40010455	14	53	40010528	34	21
40006671	12	28	40010457	14	54	40010530	34	26
40006678	12	46	40010460	12	30	40010531	34	30
40006711	22	1	40010464	16	6	40010532	34	34
40006712	22	6	40010467	16	7	40010533	8	42
40006716	12	20	40010469	16	8	40010534	8	43
40006716	22	9	40010470	8	35	40010535	8	44
40006717	22	11	40010470	18	53	40010536	26	21
40006721	22	26	40010471	16	35	40010571	2	35
40006736	26	25	40010472	16	37	40010572	8	1
40006738	26	33	40010473	18	55	40010573	10	69
40006740	26	38	40010474	18	56	40010574	10	75
40006761	34	1	40010475	18	57	40010575	16	13
40006762	34	2	40010477	20	6	40010589	34	10
40006765	34	3	40010477	30	31	40010590	34	12
40006776	34	24	40010478	20	39	40011152	34	22
40006777	34	18	40010479	20	8	40011511	18	49
40006780	34	13	40010482	20	11	40011512	18	48
40006781	34	14	40010486	20	15	40011928	4	79
40006782	34	16	40010487	20	17	40012127	16	2
40006836	18	65	40010488	20	18	40012815	34	4
40006840	18	64	40010489	20	22	40013640	54	8-9
40006923	8	22	40010490	20	20	40013721	16	4
40006924	8	23	40010492	20	12	40013967	20	45
40006925	8	25	40010495	20	13	40015800	34	5
40006926	8	33	40010497	20	21	40023831	12	22
40006937	14	55	40010498	20	23	40025260	50	58
40008693	12	36	40010499	20	24	40025260	58	47
40009290	2	21	40010500	20	25	40026818	8	18
40010404	2	5	40010503	20	27	40028015	8	36

NUMERICAL INDEX OF PARTS

PART NO	PAGE	REF NO.	PART NO	PAGE	REF NO.	PART NO	PAGE	REF NO.
40028015	50	69	40066844	60	14	40083666	52	7
40028834	4	83	40066844	62	5	40083667	52	18
40028835	4	85	40066845	60	22	40083668	52	6
40028986	28	50	40066845	62	9	40083882	12	26
40030939	8	16	40067541	40	45	40083883	30	13
40030947	72	47	40067545	40	43	40083884	30	16
40032191	60	28	40067550	40	47	40083885	30	14
40032191	62	19	40067813	6	10	40083960	52	10
40032219	60	26	40067813	86	18	40085784	38	2
40032219	62	17	40067820	66	22	40085785	38	3
40033047	14	56	40068638	56	11	40085786	38	4
40033875	40	25	40071742	82	19	40085787	38	5
40033875	48	34	40073100	30	37	40085788	38	6
40034001	86	28	40073632	36	28	40085789	38	7
40034002	86	25	40073632	48	4	40085790	38	8
40035024	52	23	40073638	36	30	40085791	38	9
40036110	54	6	40073638	48	8	40085792	38	10
40036117	16	43	40073659	40	24	40085793	38	11
40036118	16	45	40073659	48	33	40085794	38	12
40038207	30	22	40075079	34	28	40085795	38	13
40039255	28	54	40075079	48	12	40085796	38	16
40040256	12	6	40075977	32	78	40086192	52	1
40040256	22	4	40075982	32	63	40086541	52	5
40042897	26	35	40075985	56	33	40089365	16	19
40043977	48	43	40075988	30	5	40090569	48	16
40043994	86	3	40076004	2	8	40090570	48	18
40044823	86	9	40077177	66	21	40090571	48	20
40049817	54	10	40077177	70	5	40090572	48	22
40055355	46	1	40077178	60	31	40090573	48	24
40055356	46	2	40077178	62	25	40090575	48	28
40055357	46	3	40077829	66	15	40090575	70	45
40057278	46	24	40077847	66	16	40090576	50	74
40058397	50	50	40078098	26	37	40090577	50	67
40065566	48	40	40078100	26	1	40090578	50	71
40066088	32	88	40078127	62	7	40090580	50	72
40066088	54	25	40078162	52	17	40090581	50	70
40066402	30	1	40078163	52	2	40090584	50	53
40066443	30	23	40078164	52	20	40090587	46	11
40066444	30	25	40078166	52	16	40090587	48	36
40066651	30	6	40078167	52	19	40090589	46	13
40066677	82	37	40078168	52	9	40090589	48	38
40066739	26	40	40080799	52	15	40090622	48	41
40066745	32	54	40080800	52	4	40090626	26	8
40066748	32	52	40082758	46	5	40090626	48	17
40066761	30	45	40082758	48	39	40090626	60	2

NUMERICAL INDEX OF PARTS

PART NO	PAGE	REF NO.	PART NO	PAGE	REF NO.	PART NO	PAGE	REF NO.
40090626	62	2	40091172	86	14	40092998	66	46
40090627	26	15	40091173	6	8	40092999	66	13
40090627	48	6-7	40091173	86	16	40093288	66	35
40090628	12	1	40091334	6	14	40093289	66	36
40090628	48	10	40091335	6	17	40093402	78	9
40090630	36	29	40091336	6	19	40093435	56	29
40090630	48	5	40091339	32	65	40093436	56	31
40090631	36	31	40091388	82	4	40093437	56	27
40090631	48	9	40091390	82	13	40093438	56	24
40090632	36	32	40091391	82	17	40093450	56	37
40090632	48	11	40091392	82	20	40093466	56	1
40090633	36	27	40091393	82	22	40093468	56	12
40090633	48	13	40091394	82	24	40093485	40	30
40090634	48	21	40091395	82	25	40096105	64	51
40090634	74	48	40091398	82	27	40096106	70	17
40090634	82	15	40091399	82	29	40096107	70	1
40090635	30	35	40091400	82	30	40096325	38	14
40090635	48	23	40091401	82	41	40096326	38	17
40090637	6	1	40091402	82	46	40096327	38	19
40090637	48	46	40091420	60	36	40096354	38	1
40090637	86	20	40091449	62	32	40096507	52	21
40090642	30	42	40091455	62	37	40096508	52	22
40090642	50	59	40091456	62	45	40097154	78	15
40090643	50	60	40091457	62	1	40097155	78	17
40090643	82	35	40091462	64	66	40097205	86	1
40090644	42	57	40091493	64	74	40099407	70	9
40090644	50	64	40091494	64	53	40100420	32	83
40090644	78	6	40091545	40	33	40100422	32	66
40090645	50	66	40091548	42	63	40100426	32	72
40090645	70	32	40091846	74	49	40100430	40	29
40090646	4	84	40091929	14	51	40100431	58	49
40090646	50	75	40091930	6	21	40101200	46	4
40090647	50	62	40092910	70	6	40101200	48	1
40090647	64	59	40092916	66	18	40101999	42	61
40090649	48	44	40092925	70	18	40102261	2	45
40090655	50	63	40092926	70	2	40103154	30	19
40090657	50	61	40092927	70	24	40103227	66	40
40091158	32	62	40092929	70	15	40104898	12	35
40091159	32	50	40092930	70	22	40104899	12	27
40091160	30	39	40092931	66	33	40104902	12	4
40091161	30	40	40092934	66	26	40104918	2	14
40091162	86	30	40092935	70	38	40104921	12	12
40091163	30	11	40092993	70	26	40106806	78	1
40091171	6	2	40092996	64	57	40106807	78	5
40091172	6	6	40092997	66	43	40106809	78	3

NUMERICAL INDEX OF PARTS

PART NO	PAGE	REF NO.	PART NO	PAGE	REF NO.	PART NO	PAGE	REF NO.
40107534	32	68	40123249	60	37	40172228	74	80
40108790	64	62	40172182	72	2	40172229	74	81
40109086	42	67	40172183	72	3	40172231	74	83
40109547	60	1	40172184	72	4	40172232	74	84
40109548	30	27	40172185	72	5	40172233	74	85
40109549	66	3	40172186	72	6	40172234	74	86
40109550	62	16	40172187	72	7	40172235	74	87
40109551	60	25	40172188	72	8	40172236	74	88
40109552	60	32	40172189	72	9	40172260	72	45
40109552	62	26	40172190	72	10	40172347	72	1
40110721	22	43	40172191	72	11	40175771	74	72
40110722	22	46	40172192	72	12	40175802	74	71
40110723	22	47	40172193	72	13	40175825	74	73
40110724	82	1	40172194	72	14	40176404	74	74
40110725	82	6	40172195	72	15	40179295	42	73
40110726	82	11	40172196	72	16	40179305	42	74
40110812	10	52	40172197	72	17	40179365	42	75-76
40110813	10	55	40172198	72	18	40179366	42	77
40110825	8	11	40172199	72	19	40179367	42	75-76
40110827	18	51	40172200	72	20	40182370	74	76
40110830	18	66	40172201	72	21	40182371	74	79
40110836	8	2	40172202	72	22	40182372	74	82
40110838	8	8	40172203	72	23	70005174	48	37
40110841	8	39	40172204	72	24	70005177	48	27
40110842	8	40	40172205	72	25	70005177	70	29
40110856	16	38	40172206	72	26	70005179	48	30
40110932	70	8	40172207	72	27	70005180	50	52
40110934	64	52	40172208	72	28	70005181	50	57
40110938	56	21	40172209	72	29	70005182	48	29
40111143	60	38	40172210	72	30	70005183	48	25
40111144	60	4	40172211	72	31	70005184	48	31
40111404	62	29	40172212	72	32	70005193	76	95
40111425	8	7	40172213	72	33	70005194	76	96
40111701	70	31	40172214	72	34	70005195	54	27~29
40111887	86	8	40172215	72	35	70005199	70	13
40111891	86	13	40172217	72	37	70005201	54	27~29
40111906	86	21-22	40172218	72	38	70005203	54	27~29
40111907	86	21-22	40172219	72	39	70005205	70	34
40111910	40	22	40172220	72	40	70005206	70	47
40111911	8	5	40172221	72	41	70005207	66	1
40112387	2	10	40172222	72	42	70005208	66	8
40112861	10	51	40172223	72	43	70005209	68	50
40112990	8	10	40172224	72	44	70005210	68	49
40112993	8	15	40172225	74	77	70005211	66	17
40112994	16	11	40172226	74	78	70005212	68	53

NUMERICAL INDEX OF PARTS

PART NO	PAGE	REF NO.	PART NO	PAGE	REF NO.	PART NO	PAGE	REF NO.
70005213	64	60	B1144210000	10	60	CM300200002	56	23
70005221	40	37	B1212210D00	10	59	CM300300002	76	97
70005222	30	9	B1223771000	66	32	CM600100101	52	14
70005223	32	69	B14115520A0	10	70	CQ200000000	16	31
70005224	32	84	B1414232000	26	30~32	CS0400671TP	70	11
70005225	32	71	B141423200A	26	30~32	D7133555B00	2	26
70005226	32	77	B141423200B	26	30~32	E2605760000	40	28
70005227	30	47	B1414555000	10	72	E5348033100	76	100
70005228	32	73	B1816280000	30	8	E9567319000	46	21
70005229	32	74	B1820210D00	16	20	EA9500B0100	6	28
70005230	30	46	B1821210D00	16	21	EA9500B0100	16	14
70005231	80	1	B1822215P00	16	22	EA9500B0100	32	82
70005232	80	3	B18289800BB	16	10	EA9500B0100	36	22
70005233	80	5	B1903552000	8	34	EA9500B0100	42	84
70005234	80	8	B1908505000	8	26	EA9500B0100	62	43
70005235	32	86	B24142800A0	22	32	EA9500B0100	70	44
70005236	26	2	B24152800A0	22	31	EA9500B0100	84	48
70005237	26	6	B2416280000	22	30	EA9500B0200	36	23
70005238	2	7	B2417210000	22	24	EA9500B0200	62	36
70005239	56	39	B2417280000	22	21	EA9500B0200	82	43
70005240	44	2	B2418280000	22	29	G2581312000	78	13
70005241	44	3	B2421210AA0	22	23	G5009172000	60	34
70005242	44	4	B242328000A	22	34~37	G5126172000	30	10
70005243	44	5	B242328000B	22	34~37	G5236254000	30	33
70005244	44	6	B242328000C	22	34~37	G5506254000	56	9
70005245	64	76	B242328000D	22	34~37	GAF01007000	10	64
70005246	44	1	B2424210000	22	27	GES01022000	54	20
70005247	56	35	B242628000B	22	22	GPK470010AB	40	23
70005249	68	52	B2509704000	26	34	GPK470010AB	48	42
70005280	56	41	B3126012000	2	25	GSS36020000	86	11
70005323	54	30~34	B8101221DA0	40	1	GTR02013000	78	2
70005324	54	30~34	B8102221DA0	40	2	HA004250000	42	78
70005325	54	30~34	B8103221DA0	40	3	HA004250000	50	48
70005326	64	77	B8110373N00	40	10	HA006280000	6	29~31
70005327	54	30~34	B8150221D00	40	4	HA006280000	50	54~56
70005328	54	30~34	B8202205000	40	19	HA006280010	6	29~31
70005340	40	15	B9101490000	54	14	HA006280010	50	54~56
70005415	42	70	B9121012000	40	21	HA006280020	6	29~31
70005433	50	49	B91212200A0	54	4	HA006280020	50	54~56
70005454	22	18	BT0400251EB	40	42	HD00057000A	12	18
70005458	66	5	BT0600401EB	40	38	HD00057000A	28	48
70005468	58	50	CM100100001	4	82	HD00057000A	34	32
70005479	42	69	CM300100001	46	25	HD00057000A	50	68
A123050000A	10	63	CM300200001	56	20	HD00057000A	60	11
B1129210000	2	41	CM300200002	2	43	HD00057000A	62	41

NUMERICAL INDEX OF PARTS

PART NO	PAGE	REF NO.	PART NO	PAGE	REF NO.	PART NO	PAGE	REF NO.
HD00057000A	82	44	KM000000480	46	15	PA1500505A0	66	24
HD002230000	22	14	KX000000320	46	18	PA1604510A0	70	40
HD002230000	26	42	KX000000330	46	20	PA200100300	66	27
HD002230000	50	51	M300451100A	46	7	PA3200503A0	66	37
HD002780000	26	16	M3801476000	46	28	PB000010000	54	23
HD002780000	48	6·7	M4206461000	46	32	PC012401000	70	43
HE000520000	86	23·24	M90206200A0	48	32	PF0205010C0	40	17
HE000530000	86	23·24	MAT81163T00	86	12	PJ032039001	66	12
HF00130315S	46	43~45	MDP170B1400	8	38	PJ301040502	66	25
HF0013050P0	46	43~45	MDP170B1802	54	3	PJ301065201	86	10
HF003000200	46	43~45	MTJMS00000S	40	14	PJ304040301	32	60
HW002180200	52	3	NM3040520SC	46	39	PJ304040301	80	2
HX000130000	56	13	NM3040520SC	70	20	PJ304040504	40	18
HX00056000B	58	46	NM3040520SF	66	14	PJ304040504	66	38
HX001500000	70	36	NM6030003SC	42	59	PJ304040504	70	41
HX00150000A	62	47	NM6030003SC	78	8	PJ304040511	40	27
HX00150000B	18	61	NM6040000SN	2	36	PJ308040002	40	41
HX00150000B	86	6	NM6040001SC	6	16	PJ308060003	40	39
HX00150000C	32	80	NM6040001SP	12	7	PJ308060005	40	40
HX00150000C	42	83	NM6040001SP	22	5	PJ309520001	54	22
HX00150000C	66	41	NM6040003SC	32	61	PS0300102K0	42	54
HX00150000C	70	21	NM6040003SC	64	71	PS0400142KH	10	62
HX00150000D	16	1	NM6050001SC	42	56	PV150106000	40	26
HX00150000D	56	43	NM6050001SC	62	22	PX5000100A0	70	42
HX00150000H	56	17	NM6050001SC	74	94	RC0470611KP	12	44
HX00150000K	6	26	NM6050001SE	38	24	RC0560711KP	4	57
HX00150000K	36	24	NM6050001SP	12	11	RC0560711KP	74	52
HX00150000L	64	64	NM6050001SP	22	8	RC0740811KP	74	53
HX00150000N	56	18	NM6050003SC	60	8	RC1900001KP	82	8
HX00188000E	56	16	NM6060001CP	12	39	RE0200000K0	34	8
HX001890000	82	36	NM6060001SC	4	89	RE0300000K0	16	23
HX00326000K	46	23	NM6060002SF	74	51	RE0300000K0	82	31
HX00337000A	86	4	NM6060003SC	12	43	RE0400000K0	4	58
HX003390000	36	26	NM6080001SC	40	36	RE0400000K0	32	59
HX003390000	46	36	NM6080001SC	44	9	RE0600000K0	60	33
HX00354000B	52	12	NM6080001SC	46	31	RE0600000K0	62	28
HX004070000	46	16	NM6080001SC	56	7	RE0600000K0	66	20
HX004540000	64	67	NM6080003SC	56	8	RE0600000K0	70	23
HX005110000	46	19	NM6100001SF	74	50	RE0600000K0	78	12
J106600000C	54	16~19	NM6120003SE	40	11	RE0700000K0	30	34
J106600000D	54	16~19	NM7040062SB	52	25	RE0800000K0	8	21
J106600000F	54	16~19	NS6110310SP	2	28	RE0900000K0	20	3
J106600000G	54	16~19	PA0601017A0	66	10	SB104001600	8	24
J1067000A00	54	24	PA1001025A0	82	40	SB106000500	30	30
J1071000000	54	21	PA1003027A0	32	56	SB107000400	70	12

NUMERICAL INDEX OF PARTS

PART NO	PAGE	REF NO.	PART NO	PAGE	REF NO.	PART NO	PAGE	REF NO.
SB108000500	60	30	SL4040681SC	20	46	SL6051492TN	44	7
SB108000500	62	24	SL4040881SC	42	82	SL6051692TN	60	5
SB108000500	72	36	SL4040881SC	46	41	SL6051692TN	62	18
SB108000700	30	15	SL4040881SF	36	19	SL6052092TN	60	27
SB108002200	8	27	SL4040891SC	6	18	SL6052092TN	62	3
SB108002200	64	56	SL4040891SC	16	62	SL6052592TN	10	56
SB108002200	68	48	SL4040891SC	18	62	SL6052592TN	74	92
SB108002300	8	30	SL4040891SC	32	81	SL6062042TN	56	10
SB110002400	12	3	SL4040891SC	46	40	SL6062092TN	62	33
SB110002400	16	9	SL4040891SC	56	44	SL6083092TN	46	29
SB30800100A	16	39~42	SL4040891SC	62	65	SL9061293SE	40	12
SB30800100B	16	39~42	SL4040891SC	64	65	SL9081693SE	44	10
SB30800100C	16	39~42	SL4040891SC	74	89	SL9082093SE	40	32
SB30800100D	16	39~42	SL4040891SC	86	7	SM0030601SC	4	86
SB406000100	30	29	SL4041081SC	46	12	SM0040601SC	56	42
SB710000200	82	7	SL4041091SC	6	27	SM0040601SC	64	70
SD0350156TP	34	25	SL4041091SC	46	42	SM0040601SC	74	58
SD0400266TP	34	9	SL4041091SC	56	19	SM0040601SC	86	5
SD0600206TP	12	31	SL4041281SC	26	43	SM0051001SC	56	40
SD0640216TP	12	45	SL4041291SC	22	15	SM0850801SC	30	43
SD0700406TP	12	25	SL4041491SC	70	37	SM0850801SC	70	33
SD0790606TP	12	38	SL4041491SC	74	90	SM1030400SP	26	5
SD0800327TP	12	10	SL4042591SC	52	24	SM1030400SP	32	85
SD0800327TP	22	7	SL4043591SC	46	38	SM1030601SP	8	12
SD0800406TP	34	23	SL4051091SC	40	34	SM1030601SP	26	7
SD0900706TP	86	29	SL6031292TN	70	30	SM1030801SN	78	16
SD1000406TP	12	42	SL6031492TN	60	17	SM1040650TP	2	11
SK3311600SC	40	20	SL6031642TN	40	16	SM1040650TP	22	38
SK3382001SE	56	22	SL6040842TN	78	4	SM1040650TP	26	41
SK3412001SE	42	72	SL6040892TN	4	92	SM1040800SP	42	71
SK3512001SE	42	79	SL6040892TN	24	48	SM1040800SP	68	54
SK3513201SE	42	66	SL6040892TN	60	39	SM1040800SP	80	7
SK3582501SE	42	80	SL6041092TN	6	20	SM2360110TP	34	6
SL4020591SC	26	17	SL6041092TN	60	29	SM3061052TP	26	3
SL4030581SC	66	47	SL6041092TN	62	20	SM3061652TN	30	2
SL4030681SC	52	11	SL6041092TN	66	42	SM4020600SP	34	17
SL4030691SC	58	48	SL6041092TN	70	25	SM4021201SC	36	13
SL4030691SF	74	91	SL6041092TN	82	47	SM4030455SP	16	29
SL4030881SC	52	13	SL6041242TN	60	35	SM4030601SN	2	44
SL4031081SC	60	12	SL6041292TN	68	55	SM4030601SN	34	35
SL4031081SC	62	42	SL6044092TN	42	68	SM4030855SN	2	30
SL4031081SC	82	45	SL6051092TN	40	48	SM4031201SC	42	58
SL4031091SC	34	33	SL6051092TN	42	48	SM4031201SC	78	7
SL4031291SC	12	19	SL6051292TN	56	45	SM4040655SP	6	24
SL4031291SC	28	49	SL6051292TN	66	2	SM4040655SP	44	8

NUMERICAL INDEX OF PARTS

PART NO	PAGE	REF NO.	PART NO	PAGE	REF NO.	PART NO	PAGE	REF NO.
SM4040855SP	12	47	SM6040650TP	16	63	SM6051602TP	74	62
SM4040855SP	22	17	SM6040650TP	18	63	SM6052002TN	42	55
SM4040855SP	26	51	SM6040650TP	26	53	SM6052502TN	60	6
SM4040855SP	28	51	SM6040650TP	28	53	SM6052502TN	62	21
SM4040855SP	36	25	SM6040650TP	30	12	SM6052502TP	74	63
SM4041001SN	62	44	SM6040650TP	34	11	SM6053000SE	74	75
SM4041055SP	2	12	SM6040652TP	32	70	SM6053002TP	66	39
SM4041655SP	26	11	SM6040652TP	70	14	SM6060550TP	8	17
SM4042055SP	26	19	SM6040800SP	68	51	SM6061202TN	82	5
SM4050855SP	2	6	SM6040800SP	80	9	SM6061802TP	12	37
SM4050855SP	36	15	SM6040802TN	20	9	SM6062002TP	30	3
SM4051405SE	38	23	SM6040802TN	40	44	SM6062002TP	64	61
SM4051655SP	12	2	SM6040802TN	62	72	SM6067552TP	4	88
SM4061255SP	2	34	SM6040802TN	64	72	SM6081802TP	74	64
SM5040655SN	4	67	SM6040802TN	66	44	SM6082002TP	74	65
SM5040855SN	2	80	SM6040802TN	70	27	SM6082502TN	66	31
SM5040855SN	4	80	SM6040802TN	82	28	SM6084002TN	54	7
SM6020250TP	16	46	SM6040802TP	6	22	SM6087002TN	56	2
SM6020350SP	34	15	SM6040802TP	12	17	SM6088502TP	56	3
SM6020402TN	66	6	SM6040802TP	28	55	SM6450610TP	22	44
SM6020450TP	34	19	SM6040802TP	30	48	SM6450610TP	78	14
SM6020460TP	16	44	SM6040802TP	32	48	SM6850802TN	70	46
SM6020602TN	66	4	SM6040802TP	34	31	SM7030550TP	8	37
SM6030402TP	32	49	SM6040802TP	74	99	SM8030302TP	30	79
SM6030500SN	66	9	SM6040802TP	76	99	SM8030302TP	32	79
SM6030502TN	62	8	SM6040860TP	2	42	SM8030312TP	70	10
SM6030502TP	34	27	SM6041000SP	30	7	SM8030402TP	74	56
SM6030600SP	32	51	SM6041002TN	64	68	SM8030412TP	20	7
SM6030602TN	82	38	SM6041002TP	30	67	SM8030412TP	32	58
SM6030602TP	30	76	SM6041002TP	32	67	SM8030412TP	70	39
SM6030602TP	32	76	SM6041002TP	74	60	SM8040310SS	10	68
SM6030602TP	74	55	SM6041050TP	20	16	SM8040412TP	82	34
SM6030602TP	80	4	SM6041150TP	2	20	SM8040412TP	86	26
SM6030800SP	32	55	SM6041150TP	26	22	SM8040802TP	4	76
SM6030802TN	82	26	SM6041200SP	34	29	SM8050402TP	12	14
SM6030802TP	30	41	SM6041202TN	82	16	SM8050412TP	6	11
SM6033002TN	66	11	SM6041202TP	6	15	SM8050412TP	86	17
SM6040502TP	16	3	SM6041202TP	30	28	SM8050502TP	4	74
SM6040600SP	80	10	SM6041602TP	6	7	SM8050512TP	30	17
SM6040602TN	42	51	SM6041602TP	86	27	SM8050512TP	82	21
SM6040602TN	70	35	SM6042002TP	6	12	SM8050592TP	22	2
SM6040602TP	20	14	SM6042002TP	86	19	SM8050592TP	82	18
SM6040602TP	76	98	SM6050802TP	74	61	SM8050602TP	74	57
SM6040602TP	80	6	SM6051002TN	60	9	SM8050612TP	70	19
SM6040650TP	2	38	SM6051002TN	64	55	SM8050612TP	82	14

NUMERICAL INDEX OF PARTS

PART NO	PAGE	REF NO.	PART NO	PAGE	REF NO.	PART NO	PAGE	REF NO.
SM80506A2TP	8	41	WP0320501SF	74	66	WZ2200300KP	82	10
SM8052002TP	74	93	WP0430800SC	22	45			
SM8060602TP	26	24	WP0430800SC	42	53			
SM8060602TP	60	15	WP0430801SC	20	10			
SM8060602TP	62	6	WP0430801SE	64	73			
SM8060610TP	16	16	WP0430801SE	66	45			
SM8060612TP	2	22	WP0430801SE	70	28			
SM8060612TP	16	12	WP0450801SD	6	25			
SM8060612TP	60	23	WP0450801SP	14	49			
SM8060612TP	62	30	WP0450801SP	22	3			
SM8060612TP	70	7	WP0450801SP	26	20			
SM80606A2TP	8	4	WP0450801SP	32	87			
SM8060812TP	8	58	WP0450801SP	34	36			
SM8060812TP	10	58	WP0450801SP	78	19			
SM8060812TP	12	21	WP0450826SC	4	68			
SM8060812TP	16	17	WP0450846SP	22	19			
SM8060812TP	22	10	WP0460556SD	64	69			
SM8060812TP	26	29	WP0461516SH	78	18			
SM8060812TP	66	19	WP0531001SC	38	22			
SM8060812TP	70	3	WP0531001SC	60	10			
SM8061050TP	16	47	WP0531001SC	62	23			
SM8061612TP	20	47	WP0531001SF	74	67			
SM8480652TP	8	14	WP0612056SD	4	87			
SM8480652TP	18	52	WP0612056SE	42	81			
SM8480652TP	26	36	WP0621016SD	26	4			
SS1060210TP	22	25	WP0621016SD	30	4			
SS5060310SP	14	52	WP0641601SC	74	68			
SS6090670TP	10	71	WP0820516SP	10	50			
SS6110430TP	22	33	WP0820526SD	60	24			
SS6121212TP	18	50	WP0820526SD	62	11			
SS7090410SP	22	28	WP0820526SD	66	29			
SS7110740TP	22	20	WP0841601SC	44	11			
SS7110740TP	30	20	WP0841601SC	46	30			
TA0750704R0	4	48	WP0841601SC	56	4			
TA0850604R0	4	49	WP0841601SC	74	69			
TA1050504R0	4	50	WP0852086SC	4	91			
TA1250406R0	4	51	WP0852086SC	40	35			
TA1270502R0	4	52	WP0852086SC	56	5			
TA1470704R0	4	53	WP1612616SE	38	15			
TA1550902R0	4	54	WP2103001SE	82	9			
TA2100904R0	4	55	WS0410002KN	42	52			
WP0220300SC	34	37	WS0510002KN	38	21			
WP0220300SC	66	7	WS0610002KN	4	90			
WP0320500SC	34	7	WS0820002KN	56	6			
WP0320500SC	82	39	WS1002560KR	74	70			