

MODEL : ASN-690

List No : 1679-01

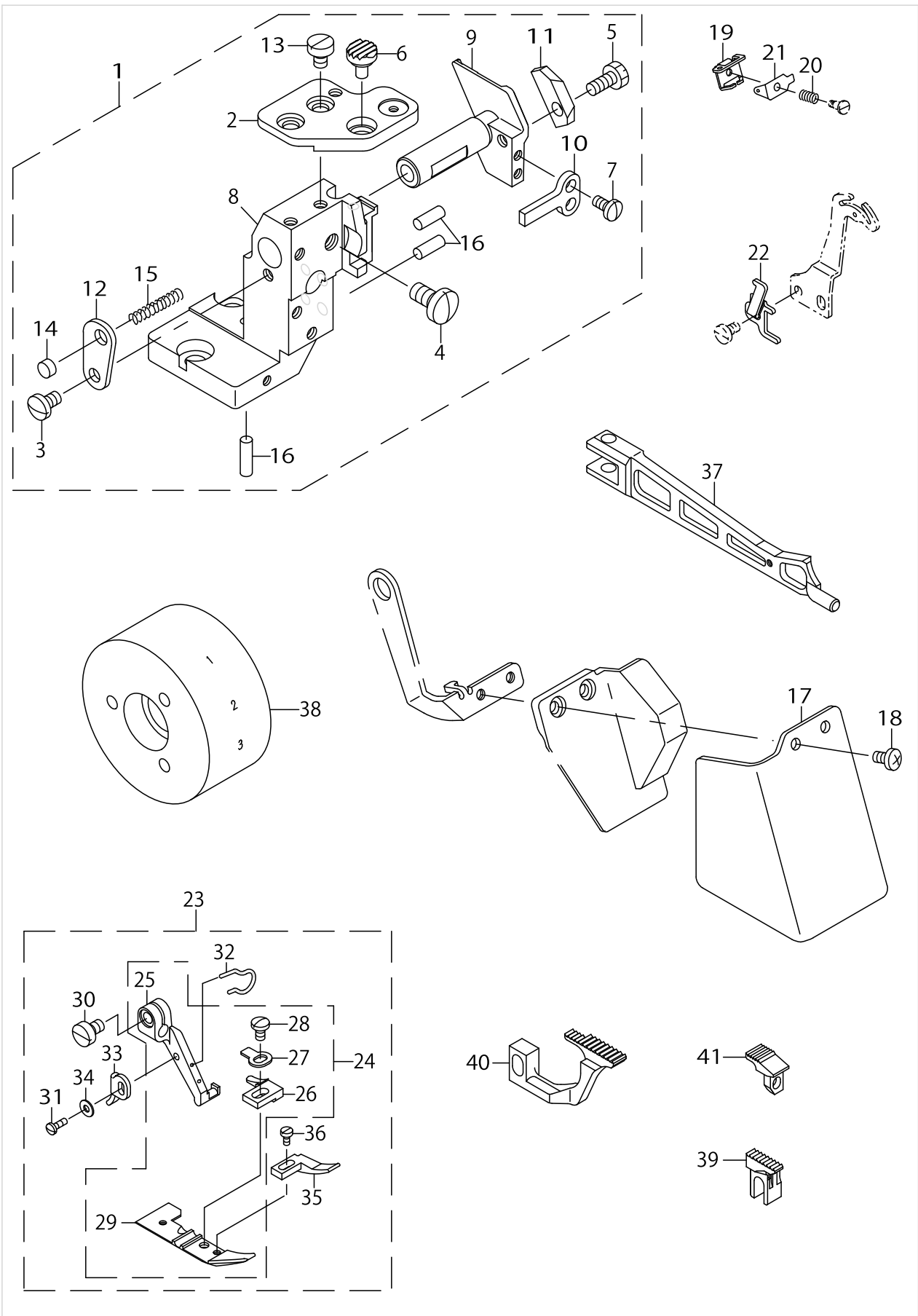
PARTS LIST

Published:09/10/2017

CONTENTS

FRAME EXCLUSIVE COMPONENTS.....	1
SIDE CUTTER COMPONENTS.....	3
CLOTH GUIDE & CLOTH BASE COMPONENTS.....	5
SS-51:STACKER MECHANISM COMPONENTS.....	7
VACUUMING COMPONENTS	11
FRAME COMPONENTS	13
FRAME MISCELLANEOUS COMPONENTS.....	17
CLOTH FEED BLOW COMPONENTS.....	21
SWITCH COMPONENTS	23
MOTOR ELECTRIC APPARATUS COMPONENTS	25
UPPER LOOPER ARM DUST COLLECTOR COMPONENTS	27
OPERATION PANEL COMPONENTS	29
PNEUMATIC CIRCUIT DIAGRAM.....	31
TABLE COMPONENTS (ASN-690S)	35
TABLE COMPONENTS (ASN-690L).....	37
ACCESSORIE PARTS COMPONENTS	39
THREAD STAND COMPONENTS.....	41
WIRING DIAGRAM (SC-921).....	43
PF-10:DIFFERENTIAL MECHANISM COMPONENTS (OPTIONAL PARTS)	45
AK-139:PRESSER FOOT LIFTER COMPONENTS (OPTIONAL PARTS).....	47
PK-79:PEDAL COMPONENTS (OPTIONAL PARTS)	49
KM-5:CLOTH TABLE COMPONENTS (OPTIONAL PARTS)	51
CL-5:CURVE SENSOR COMPONENTS (OPTIONAL PARTS)	53
GAUGE COMPONENTS.....	55
LIST FOR INFORMATION OF CHANGE.....	57
HOW TO MAKE USE OF THIS PARTS LIST	58

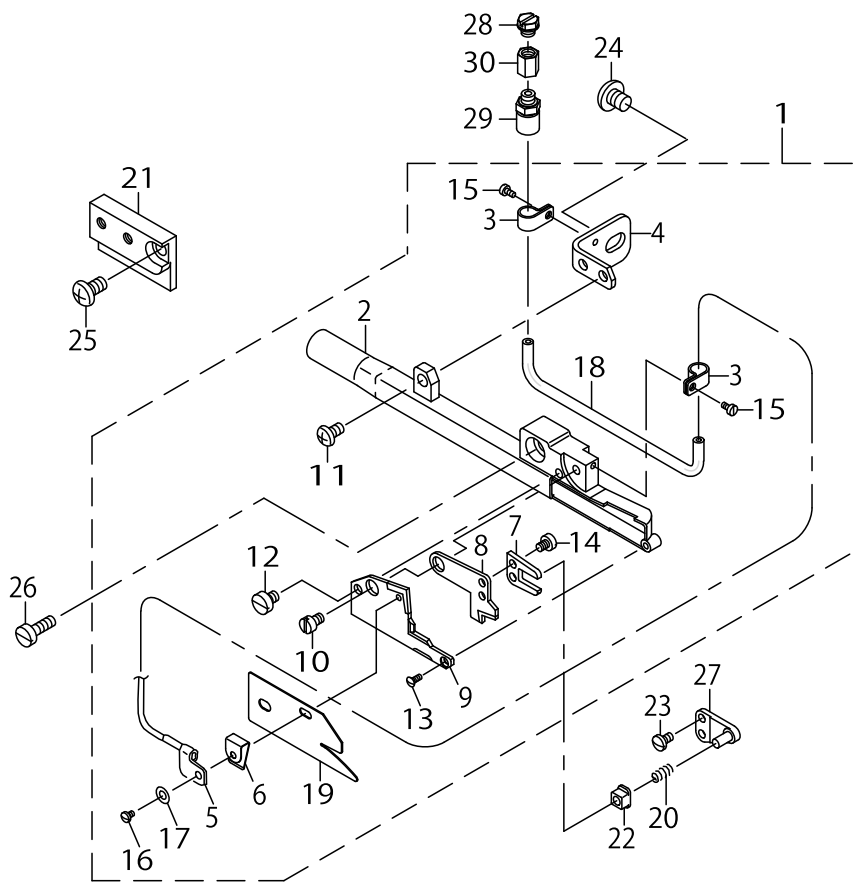
FRAME EXCLUSIVE COMPONENTS



FRAME EXCLUSIVE COMPONENTS

No.	Parts No.	Parts name	Remarks	Level	Cons	Qty
1	40082220	LOWER KNIFE BRACKET ASSY				1
2	40082221	NEEDLE_PLATE_BASE_A		*		1
3	SS7110720SP	SCREW 11/64-40 L=7		*		1
4	SS7151120SP	SCREW 15/64-28 L=11		*		1
5	SS9111010SP	SCREW 11/64-40 L=9.5		*		1
6	13235304	RUBBER PLUG A		*		1
7	SS7090710SP	SCREW 9/64-40 L=6.8		*		2
8	13149406	LOWER KNIFE BRACKET		*		1
9	13149505	LOWER KNIFE SLIDE STUD		*		1
10	13149703	ROTATING STOPPER		*		1
11	13149208	LEVER SHAFT		*		1
12	13149307	SPRING STOPPER		*		1
13	SS6110610TP	SCREW 11/64-40 L=6		*		3
14	13102702	THROAT PLATE COVER		*		1
15	13148101	SPRING		*		1
16	13149901	NEEDLE HOLDER SUPPORT PIN		*		3
17	40082229	SAFETY_PLATE				1
18	SS7090850SP	SCREW 9/64-40 L=8				2
19	13110804	NEEDLE THREAD PRESSER GUIDE B				1
20	12112702	NEEDLE THREAD PRESSER SPRING B				1
21	12112504	NEEDLE THREAD PRESSER PLATE C				1
22	12112603	DIFFERENTIAL FEED CAM				1
23	40082217	PRESSER_FOOT_ASSY				1
24	40082517	PRESSER_FOOT_ASM.		*		1
25	G5910397000	PRESSER FOOT HINGE		*		1
26	G5913397000	STITCH TONGUE		*	☆	1
27	B150880400B	SPRING		*		1
28	SS7080520SP	SCREW 1/8-44 L=4.9		*		1
29	40082215	PRESSER_FOOT		*		1
30	SS6090670TP	SCREW 9/64-40 L=6		*		1
31	SS7060610SP	SCREW 3/32-56 L=5.5		*		1
32	11820701	FINGER GUARD		*		1
33	B1530804000	STOPPER		*		1
34	WP0250516SD	WASHER 2.5X6X0.5		*		1
35	40082216	CURL_GUARD		*		1
36	SS6060440TP	SCREW 3/32-56 L=3.5		*		1
37	G5909397000A	PRESSER FOOT ARM				1
38	40082516	HAND WHEEL				1
39	G5811370000	MAIN FEED DOG			☆	1
40	40082207	DIFFERENTIAL_FEED_DOG			☆	1
41	G5813370000	AUXILIARY FEED DOG			☆	1

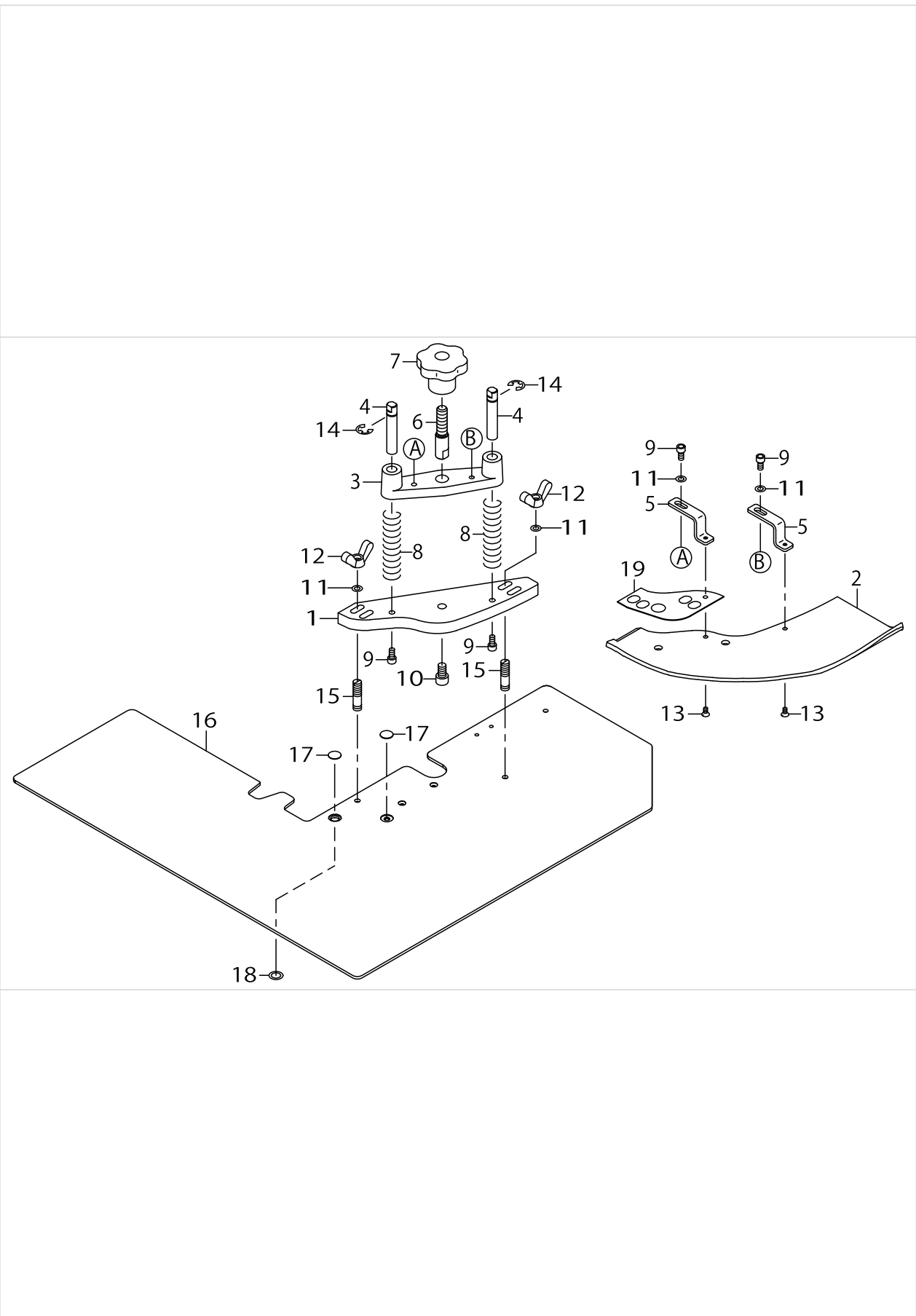
SIDE CUTTER COMPONENTS



SIDE CUTTER COMPONENTS

No.	Parts No.	Parts name	Remarks	Level	Cons	Qty
1	40085135	KNIFE REST ASSY				1
2	40045966	KNIFE REST COMPL.		*		1
3	MAT03610000	OIL SUPPLY PIPE BRACKET		*		2
4	MAT03604000	KNIFE REST PLATE		*		1
5	MAT036090A0	OIL SUPPLY HOLDER ASM.		*		1
6	MAT02111000	SPRING		*		1
7	MAT02502000	DRIVING LEVER		*		1
8	MAT03606000	WORK KNIFE		*	☆	1
9	MAT0360500A	FIXING KNIFE		*	☆	1
10	MAT03607000	KNIFE SHAFT		*		1
11	SS4110715SP	SCREW 11/64-40 L=7		*		1
12	SS6090520SP	SCREW 9/64-40 L=5.0		*		1
13	SS2060510SP	SCREW 3/32-56 L=4.5		*		1
14	SS6080410SP	SCREW 1/8-44 L=4		*		2
15	SS6060410TP	SCREW 3/32-56 L=3.5		*		2
16	SS7060310SP	SCREW 3/32-56 L=3		*		1
17	WP0250516SD	WASHER 2.5X6X0.5		*		1
18	BP400000000	VINYL TUBE WHITE D=4		*		0.14
19	MAT04400000	ADJUSTING PLATE		*		1
20	MAT02106000	SPRING			☆	1
21	MAT03603000A	KNIFE REST BRACKET				1
22	40045962	SLIDE BLOCK			☆	1
23	SS7080520SP	SCREW 1/8-44 L=4.9				2
24	SS4150715SP	SCREW 15/64-28 L=7				1
25	SS4120915SP	SCREW 3/16-28 L=9				1
26	SS6111210SP	SCREW 11/64-40 L=12				1
27	MAT03608000	DRIVE PIN				1
28	PJ020500001	PLUG				1
29	PJ032054001	HOSE NIPPLE				1
30	PX950005000	CUPLING				1

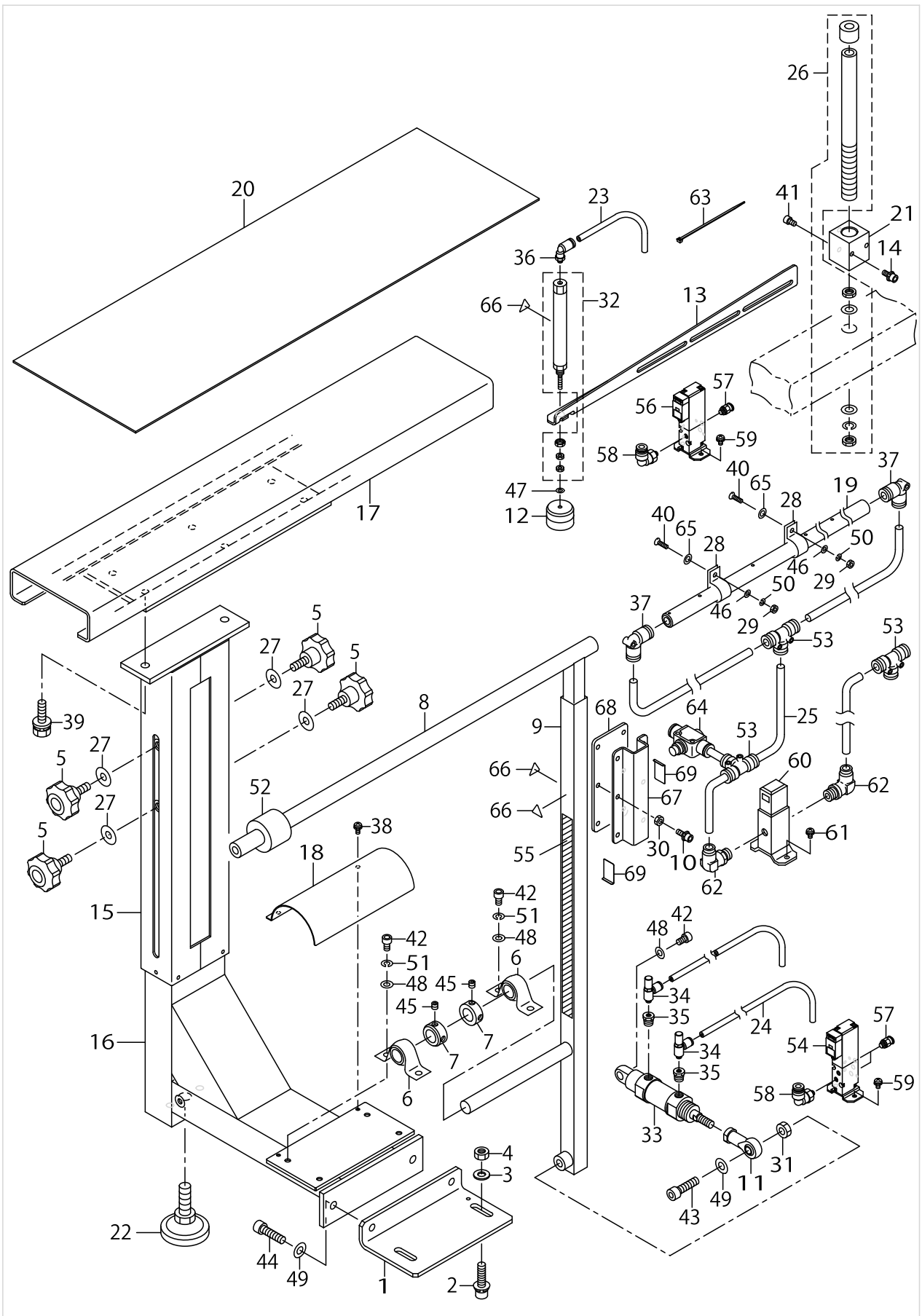
CLOTH GUIDE & CLOTH BASE COMPONENTS



CLOTH GUIDE & CLOTH BASE COMPONENTS

No.	Parts No.	Parts name	Remarks	Level	Cons	Qty
1	40082250	CLOTH_GUIDE_BASE				1
2	40082251	CLOTH_GUIDE				1
3	25020207	SLIDE BASE				1
4	25020009	SLIDE SHAFT				2
5	G5014397000	GUIDE CONNECTING PLATE				2
6	25020306	ADJUSTING SHAFT				1
7	25020405	KNOB				1
8	10901106	SPRING				2
9	SM6040802TP	SCREW M4X0.7 L=8				4
10	SM6061002TP	SCREW M6 L=10				1
11	WP0430800SD	WASHER M4				4
12	D2301M1YC0W	WING NUT				2
13	SM1030601SC	SCREW M3 L=6				2
14	RE0600000K0	E-RING 6				2
15	16187908	SCREW				2
16	40082252	CLOTH_PLATE				1
17	40082253	DUST_COVER				2
18	WP0720316RZ	WASHER 7.2X11X0.25				1
19	40082247	REFLECTION_SHEET_ASSY			☆	1

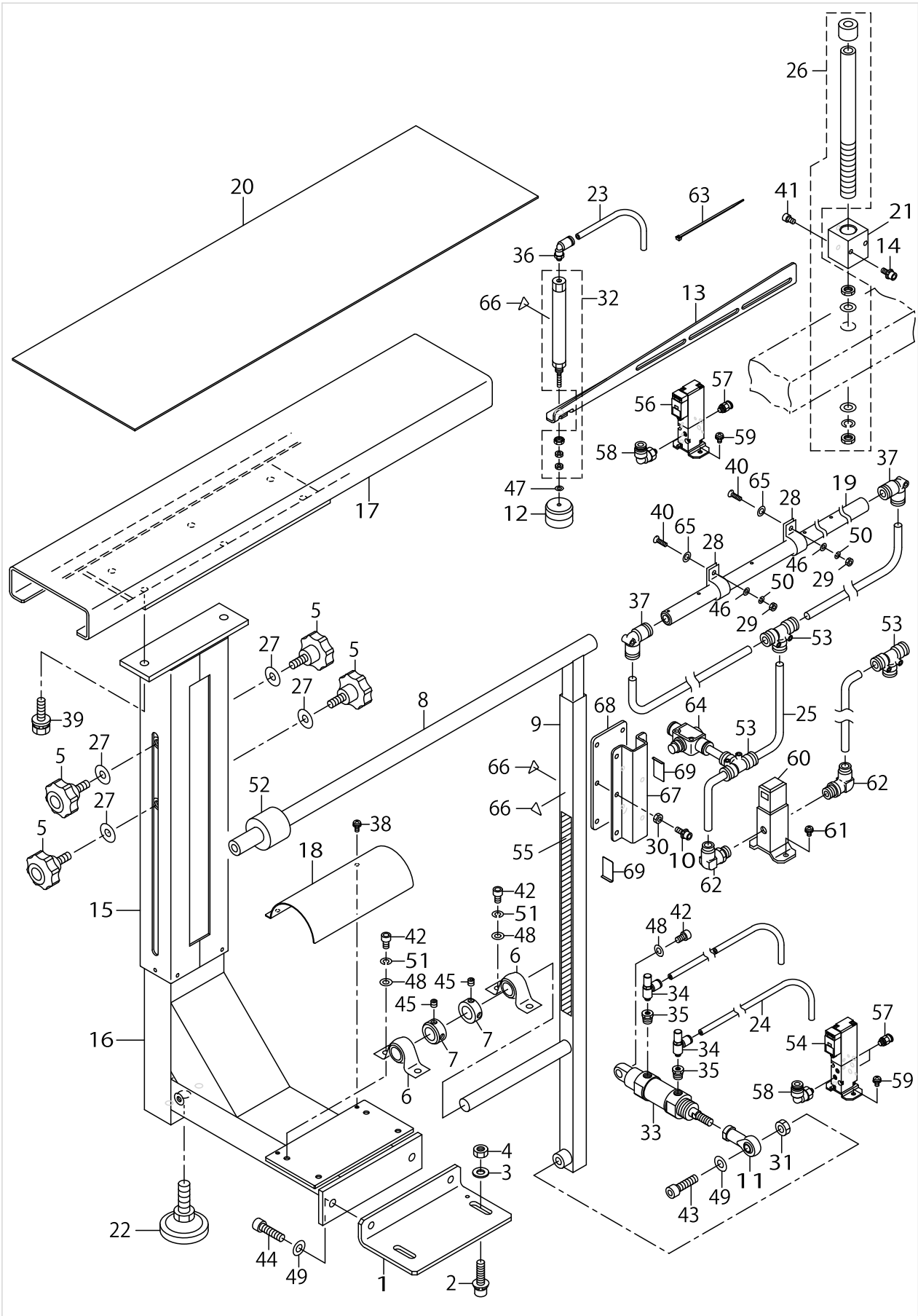
SS-51:STACKER MECHANISM COMPONENTS



SS-51:STACKER MECHANISM COMPONENTS

No.	Parts No.	Parts name	Remarks	Level	Cons	Qty
1	40075275	STACKER_BASE_PLATE				1
2	SL6082092TN	BOLT				2
3	WP0841601SC	WASHER 8.4X17.4X1.6				2
4	NM6080001SC	NUT M8X1.25				2
5	40084436	HANDLE				4
6	16136806	MINI PILLOW UNIT				2
7	CS1501011TH	THRUST COLLAR				2
8	40082275	CLAMP_BAR				1
9	40083302	STACKER STAND ASM.				1
10	SL6051492TN	BOLT				6
11	16138109	ROD				1
12	18072553	THREAD CUTTER SUPPORT ASM.			☆	1
13	40082514	CYLINDER_INSTALLING_ARM				1
14	SL6051292TN	BOLT				2
15	25031907	SLID PIPE				1
16	40082279	STACKER_POLE				1
17	25032103	STACKER SUPPORT				1
18	25032202	PILLOW COVER				1
19	40082276	STACKER_BLOW_PIPE				1
20	40083978	STACKER_CUSHION				1
21	40082515	PRESSER_ARM_HOLDER				1
22	17833658	ADJUSTING BOLT ASM.				1
23	BT0400251EB	URETHANE HOSE BLACK				1.2
24	BT0600401EB	TUBE				2.5
25	BT0800501EB	VINYL TUBE				1
26	G54041720A0	FRAME SHAFT ASM.				1
27	WP0851846SC	WASHER 8.5X22.0X1.8				4
28	HX00150000C	CABLE CLIP				2
29	NM6040001SC	NUT M4				2
30	NM6050001SC	NUT M5				6
31	NM6080001SC	NUT M8X1.25				1
32	PA1004505A0	CYLINDER				1
33	PA200500100	AIR CYLINDER				1
34	PC010523000	SPEED CONTROLLER				2
35	PJ015105001	BUSHING				2
36	PJ304040504	ELBOW UNION				1
37	PJ304080001	UNION ELBOW				2
38	SL4041081SF	SCREW M4 L=10				2
39	SL9082093SE	SCREW				2
40	SM1041201SC	SCREW M4 L=12				2
41	SM6050802TR	SCREW M5X0.8 L=8				2
42	SM6061002TP	SCREW M6 L=10				5
43	SM6083002TN	SCREW M8 L=30				1
44	SM6081202TP	SCREW M8 L=12				2
45	SS8660530TP	SCREW 1/4-40 L=4.5				4
46	WP0410846SC	WASHER				2
47	WP0430800SC	WASHER M4				1

SS-51:STACKER MECHANISM COMPONENTS



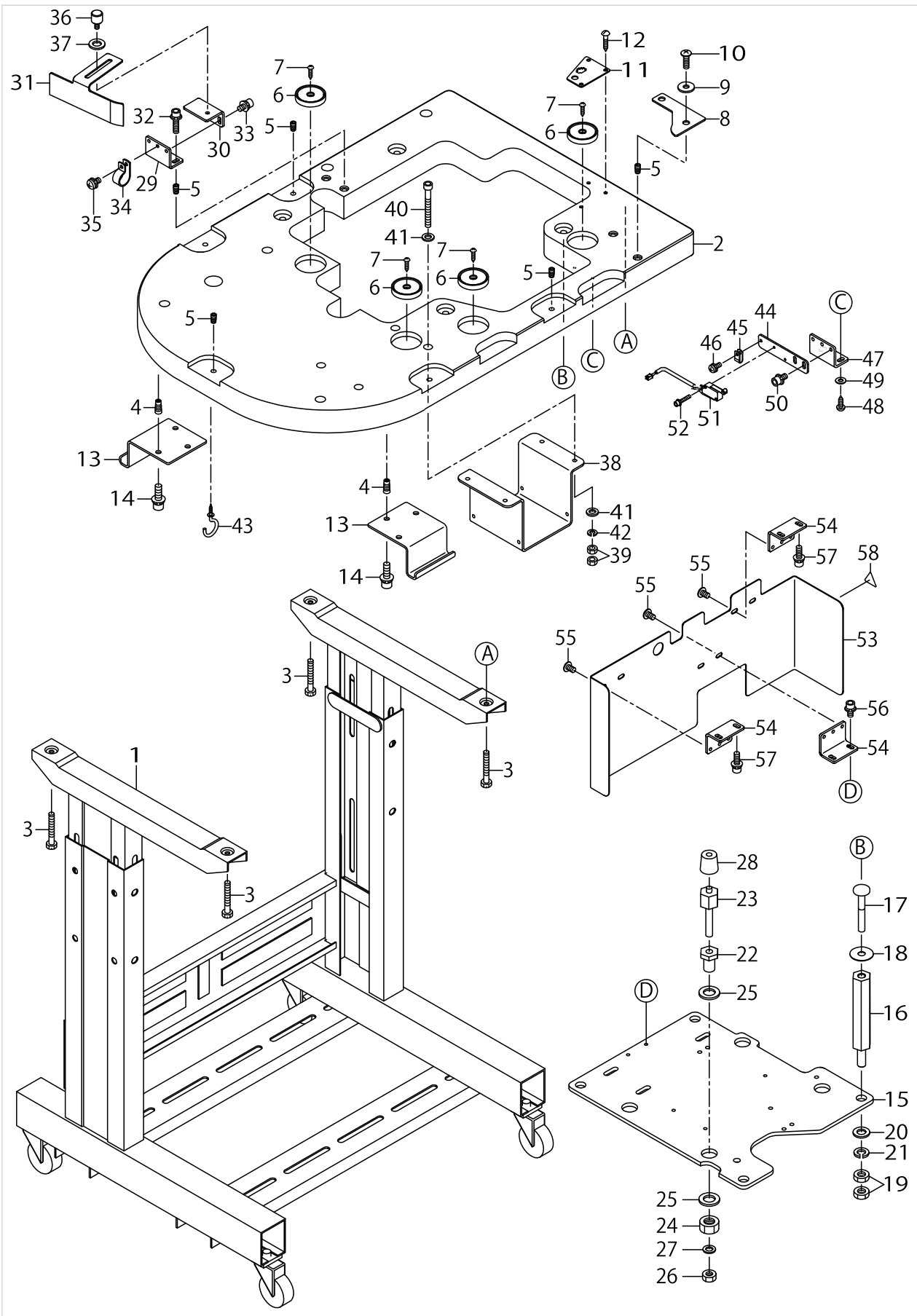
SS-51:STACKER MECHANISM COMPONENTS

No.	Parts No.	Parts name	Remarks	Level	Cons	Qty
48	WP0641601SC	WASHER				5
49	WP0841601SC	WASHER 8.4X17.4X1.6				3
50	WS0410002KN	SPRING WASHER				2
51	WS0610002KN	SPRING WASHER 6.1X12.2X1.5				4
52	GAS11154000	STACKER RING				5
53	PJ305080002	UNION TEE				3
54	PV150536000	5-PORT SOLENOID VALVE				1
55	40058951	AREA_CAUTION_LABEL				1
56	PV130540000	3-PORT SOLENOID VALVE				1
57	PJ301040506	STRAIGHT				3
58	PJ304060501	ELBOW				2
59	SL4040891SC	SCREW M4 L=8				4
60	PV125109000	2-PORT SOLENOID VALVE				1
61	SL4040891SC	SCREW M4 L=8				2
62	PJ304085102	ELBOW				2
63	EA9500B0100	CABLE BAND				5
64	PC022801000	THROTTLE VALVE				1
65	WP0641600SC	WASHER 6.4X12.5X1.6	FOR SHORT TABLE			2
66	CM300200001	ATTENTION SEAL				3
67	40091283	STACKER_BAR_HOLDER_A				1
68	40091284	STACKER_BAR_HOLDER_B				1
69	40091285	STACKER_BAR_SPACER				2

VACUUMING COMPONENTS

No.	Parts No.	Parts name	Remarks	Level	Cons	Qty
1	40099620	WASTE_REMOVAL_UNIT				1
2	40099635	WASTE_FUNNEL_ASSY		*		1
3	SM4041655SP	SCREW M4 L=16		*		2
4	WP0430801SC	WASHER M4		*		2
5	40083307	HOSE_A		*		1
6	40099627	WASTE_REMOVER		*		1
7	40099628	SILENCER_B		*		1
8	40099629	Y_TUBE		*		1
9	40099630	Y_TUBE_BASE		*		1
10	SM4050855SP	SCREW		*		1
11	40099631	SILENCER_A		*		1
12	SM4051255SP	SCREW M5 L=12		*		1
13	40083308	HOSE_B		*		1
14	40099632	WASTE_CANISTER_ELBOW		*		1
15	40099633	WASTE_CANISTER_NUT		*		1
16	40099634	WASTE_CANISTER		*		1
17	GMC08039000	CANISTER COVER		*		1
18	G5176136000	HOSE BAND		*		4
19	40123132	NYLON_TUBE_19X13		*		0.16
20	F1017003000	VINYL HOSE SADDLE				1
21	SM1031401SC	SCREW M3X0.5 L=14				2
22	WP0320500SC	WASHER M3				2
23	WS0310002KN	SPRING WASHER M3				2
24	NM6030001SC	NUT M3X0.5 TYPE1				2
25	F10120030A0	NOZZLE ASM.				1
26	BT1601001Z0	TUBE				1.8
27	16108508	CLOTH BASE HOLDER RUBBER				1

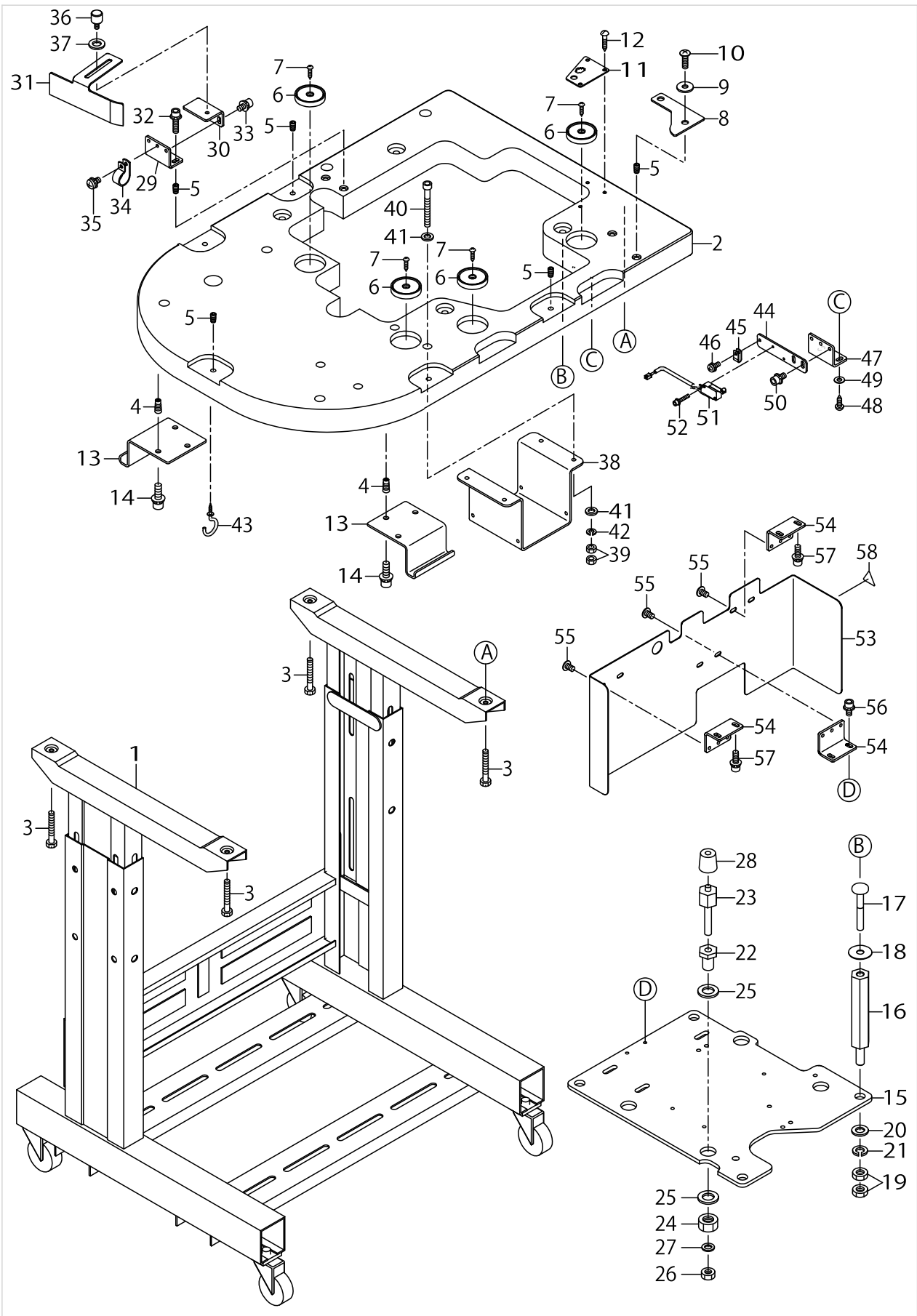
FRAME COMPONENTS



FRAME COMPONENTS

No.	Parts No.	Parts name	Remarks	Level	Cons	Qty
1	40082280	T_STAND_ASSY				1
2	40082231	MAIN_TABLE				1
3	ST9053511SR	TAPPING SCREW M5X35				4
4	40075287	INSERT_NUT M6X20				9
5	40082232	INSERT_NUT M5X13				13
6	40035100	MAGNET				4
7	SK3271301SE	WOOD SCREW D=2.7 L=13				4
8	40082233	GUIDE_PLATE				1
9	WP0561616SC	WASHER 5.6X16X1.6				2
10	SM0051601SC	SCREW M5 L=16				2
11	40082234	PLUG_BRACKET				1
12	SK3412000SE	WOOD SCREW D=4.1 L=20				3
13	40082237	SUPPORT_PLATE				2
14	SL6062092TN	SCREW M6 L=20				6
15	40082235	MACHINE_BASE				1
16	40082236	BASE_SHAFT				4
17	13155064	HOLDING PLATE BOLT ASM.				1
18	B1628191B00	BODY CAP B				4
19	NM6120003SC	NUT M12				8
20	WP1302501SC	WASHER 13X24X2.5				4
21	WS1253010KN	SPRING WASHER 12.5X21.5X3				4
22	40082277	ADJUSTING_SCREW_A				4
23	40082278	ADJUSTING_SCREW_B				4
24	NM6160001SB	NUT M16				4
25	WP1703001SC	WASHER 17X30X3				8
26	NM6100001SC	NUT M10X1.5				4
27	WP1052000SC	WASHER 10.5X18X2				4
28	13155403	DUST-PROOF RUBBER				4
29	40082208	ST_CLOTH_GUIDE_BRACKET_A				1
30	40082209	ST_CLOTH_GUIDE_BRACKET_B				1
31	40082239	ST_CLOTH_GUIDE				1
32	SL6052092TN	SCREW				2
33	SL6051092TN	BOLT				2
34	HX00150000K	CABLE CLIP				1
35	SL4051091SC	SCREW M5X0.8 L=10				1
36	16110405	SCREW				1
37	WP0841600SE	WASHER 8.4X15.5X1.6				1
38	40082238	BOX_HUNGER_B				1
39	NM6050002SE	NUT M5				8
40	SM6054502TN	SCREW				4
41	WP0641600SC	WASHEW 6.4X12.5X1.6				8
42	WS0510002KN	SPRING WASHER				4
43	MAT81163T00	CORD HOLDER				1
44	40082212	SWITCH_BRACKET				1
45	HX00150000A	CABLE CLAMP				1
46	SL4041091SC	SCREW M4 L=10				1
47	40082208	ST_CLOTH_GUIDE_BRACKET_A				1

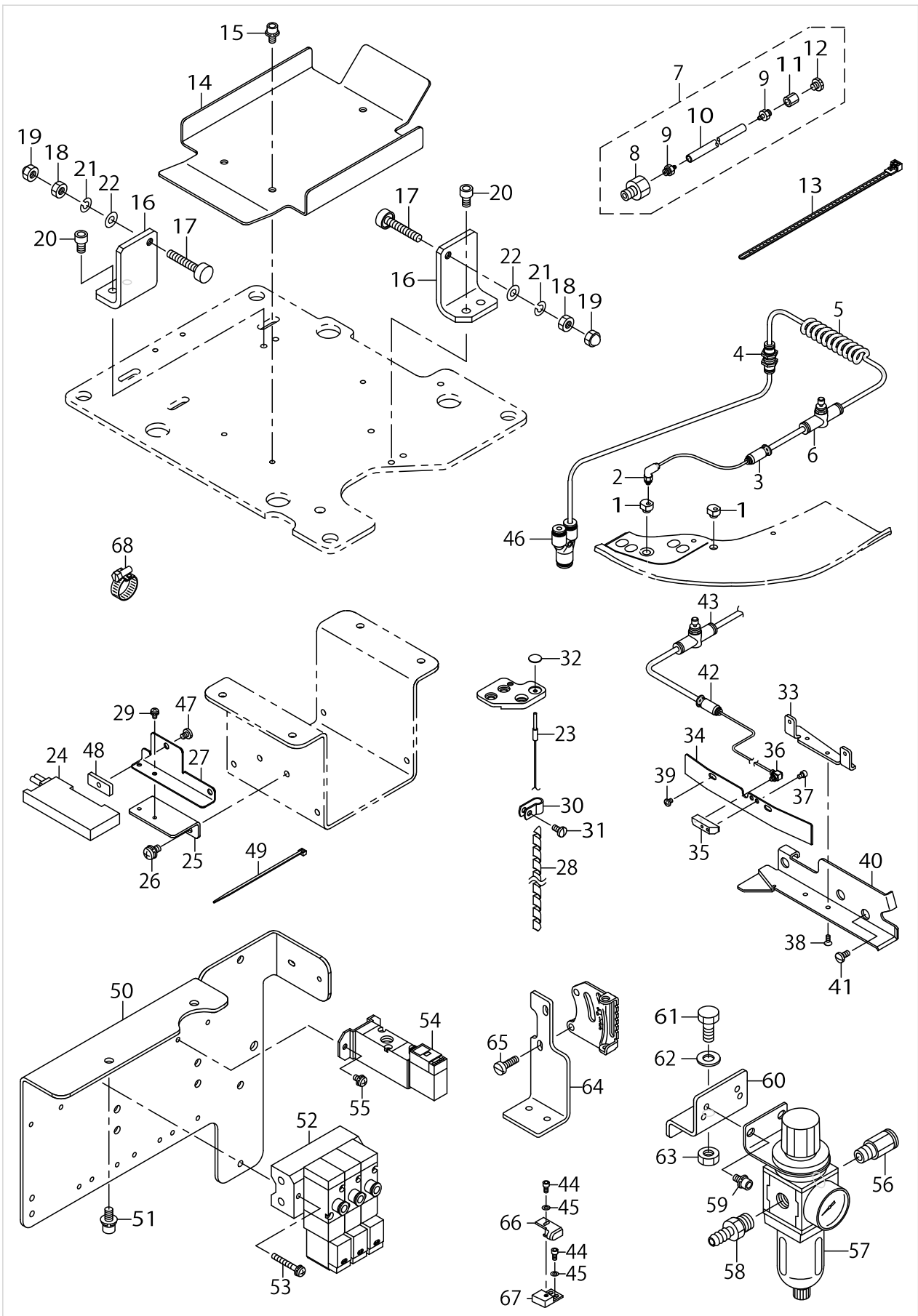
FRAME COMPONENTS



FRAME COMPONENTS

No.	Parts No.	Parts name	Remarks	Level	Cons	Qty
48	SK3412000SE	WOOD SCREW D=4.1 L=20				2
49	WP0450826SC	WASHER 4.5X10X0.8				2
50	SL6051092TN	BOLT				2
51	32002255	SWITCH ASM.				1
52	SL6031692TN	SCREW				2
53	40082240	MOTOR_COVER				1
54	40082208	ST_CLOTH_GUIDE_BRACKET_A				3
55	SM0050801SC	SCREW				6
56	SL6051092TN	BOLT				2
57	SL6051692TN	BOLT				4
58	CM300200002	CAUTION LABEL(25)				1

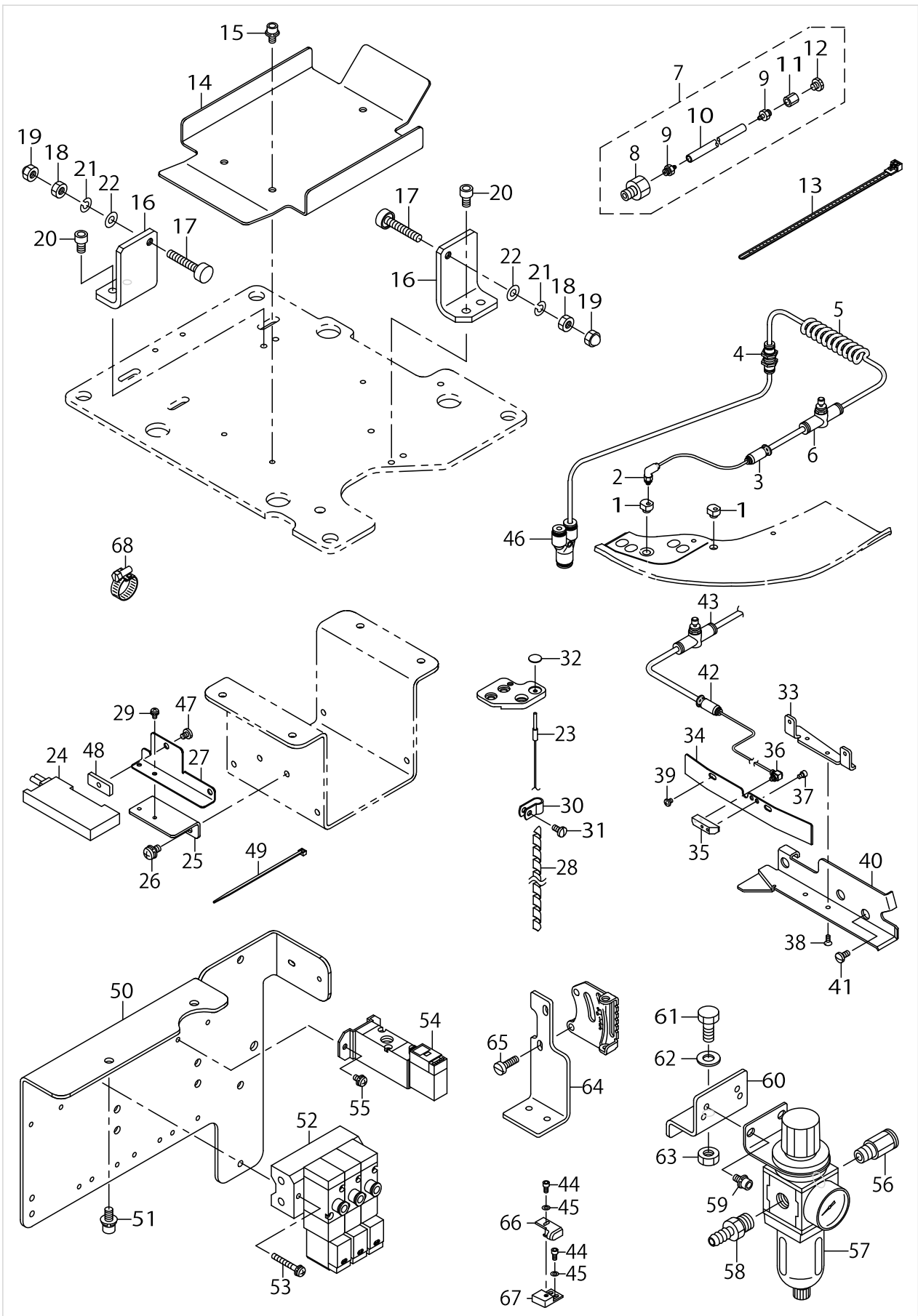
FRAME MISCELLANEOUS COMPONENTS



FRAME MISCELLANEOUS COMPONENTS

No.	Parts No.	Parts name	Remarks	Level	Cons	Qty
1	40082241	SENSOR_BLOW				2
2	PJ304020301	ELBOW				1
3	PJ303040005	UNION				1
4	PJ230004200	UNION				1
5	16232209	TUBE				1
6	PC012406000	SPEED CONTROLLER				1
7	G59273970A0	OIL PLUG ASM.				1
8	G5927397000	OIL PLUG		*		1
9	PJ032054001	HOSE NIPPLE		*		2
10	BT0600402EA	OIL TUBE		*		0.8
11	PX950005000	CUPLING		*		1
12	PJ020500001	PLUG		*		1
13	HX00292000A	CONNECTING PART				1
14	40082211	COOLING_FAN_CASE				1
15	SL6051092TN	BOLT				3
16	40082273	SEWING MACHINE SUPPORT PLATE				2
17	GAK01003B00	PRESSER LIFTER STOPPER B				2
18	NM6060003SC	NUT M6				2
19	NM7060032SC	HEXAGONAL CAP NUT TYPE 3 M6				2
20	SM6061002TP	SCREW M6 L=10				4
21	WS0610002KN	SPRING WASHER 6.1X12.2X1.5				2
22	WP0641600SC	WASHEW 6.4X12.5X1.6				2
23	HD002820010	SENSOR			☆	1
24	40156030	START SENSOR ASSY			☆	1
25	40083835	START SENSOR BRACKET				1
26	SL4051091SC	SCREW M5X0.8 L=10				2
27	40083834	SENSOR BASE				1
28	HX003140000	SPIRAL TABE				0.5
29	SL4030591SC	SCREW M3X5				2
30	HX00150000B	CABLE CLIP				1
31	SS7110840SP	SCREW 11/64-40 L=7.8				1
32	40082253	DUST_COVER				1
33	40099986	CLOTH_COVER_BKT				1
34	40099987	CLOTH_COVER				1
35	40099988	SIDE_COVER_AIR_BLOW				1
36	PJ046039003	ELBOW				1
37	SM6030402TP	SCREW M3X0.5 L=4				2
38	SM1030501SC	SCREW M3 L=5				2
39	SM5030455SN	SCREW				2
40	40082230	SIDE_COVER				1
41	SS7110840SP	SCREW 11/64-40 L=7.8				2
42	PJ303040005	UNION				1
43	PC012406000	SPEED CONTROLLER				1
44	SM8030402TP	SCREW M3X0.5 L=4				1
45	SM6030602TN	SCREW M3X6				3
46	WP0320500SC	WASHER M3				3
47	SS7110570SP	SCREW 11/64-40 L=4.8				1

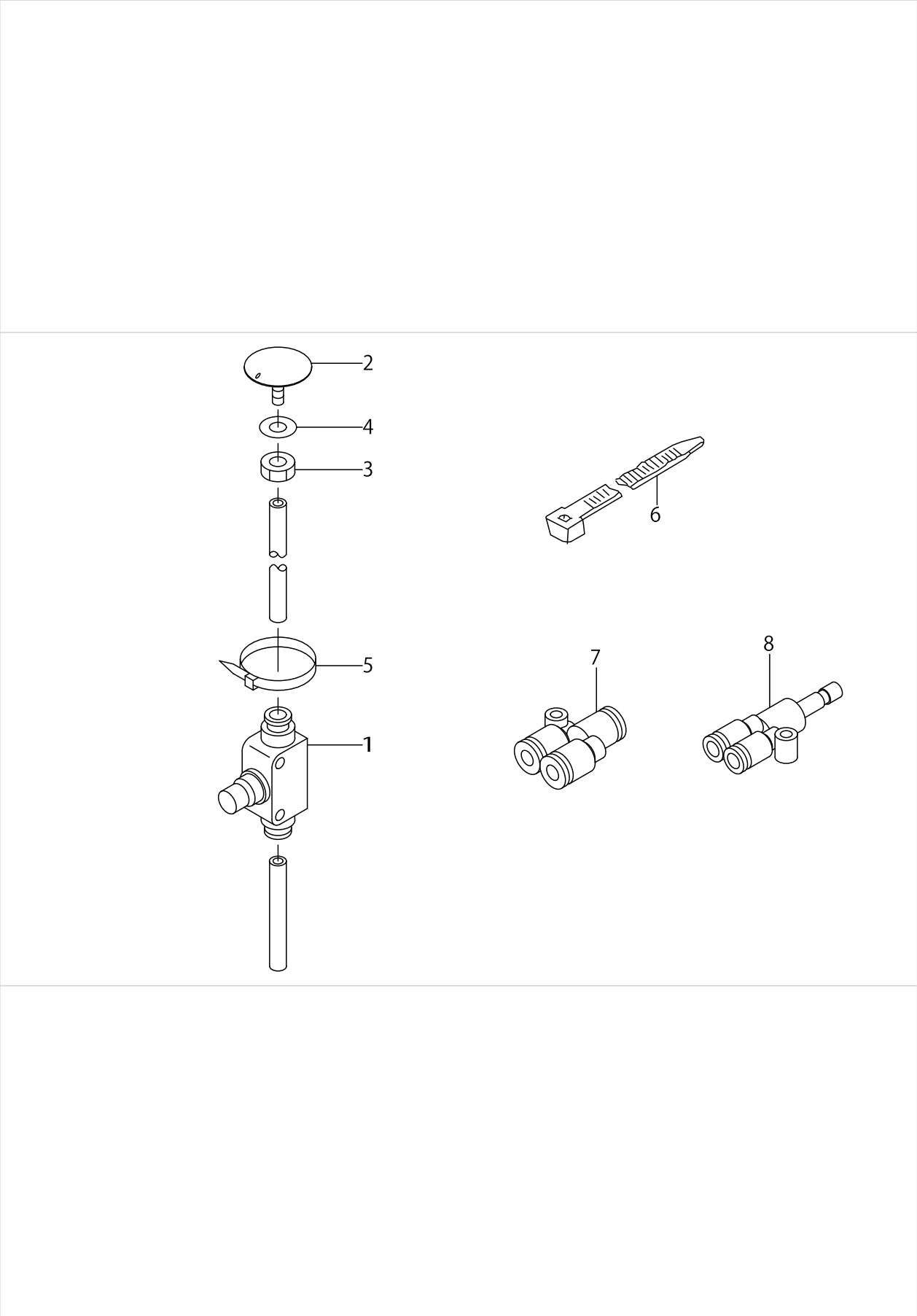
FRAME MISCELLANEOUS COMPONENTS



FRAME MISCELLANEOUS COMPONENTS

No.	Parts No.	Parts name	Remarks	Level	Cons	Qty
48	22556906	FIXED PLATE				1
49	EA9500B0100	CABLE BAND				1
50	40082254	SOLENOID_VALVE_BASE				1
51	SL6061492TN	BOLT				2
52	G51003970A0	MANIHOLD ASM.				1
53	SL4043091SC	SCREW M4 L=30				2
54	PV125109000	2-PORT SOLENOID VALVE				1
55	SL4040891SC	SCREW M4 L=8				2
56	PJ301085201	HALF UNION				1
57	16121006	FILTER REGULATOR				1
58	PJ309005203	QUICK JOINT PLUG				1
59	SL6051092TN	BOLT				2
60	40082218	FILTER_INSTALLING_PLATE				1
61	SL9082093SE	SCREW				1
62	WP0871602SE	WASHER 8.7X18X1.6				1
63	NM6080721SE	NUT M8				1
64	40012307	CYLINDER CONNECTING PLATE				1
65	SM6051600SP	SCREW M5 L=16				2
66	40082213	CLOTH_GUIDE_A				1
67	40082214	EDGE_GUIDE				1
68	40151059	HOSE_BAND				1

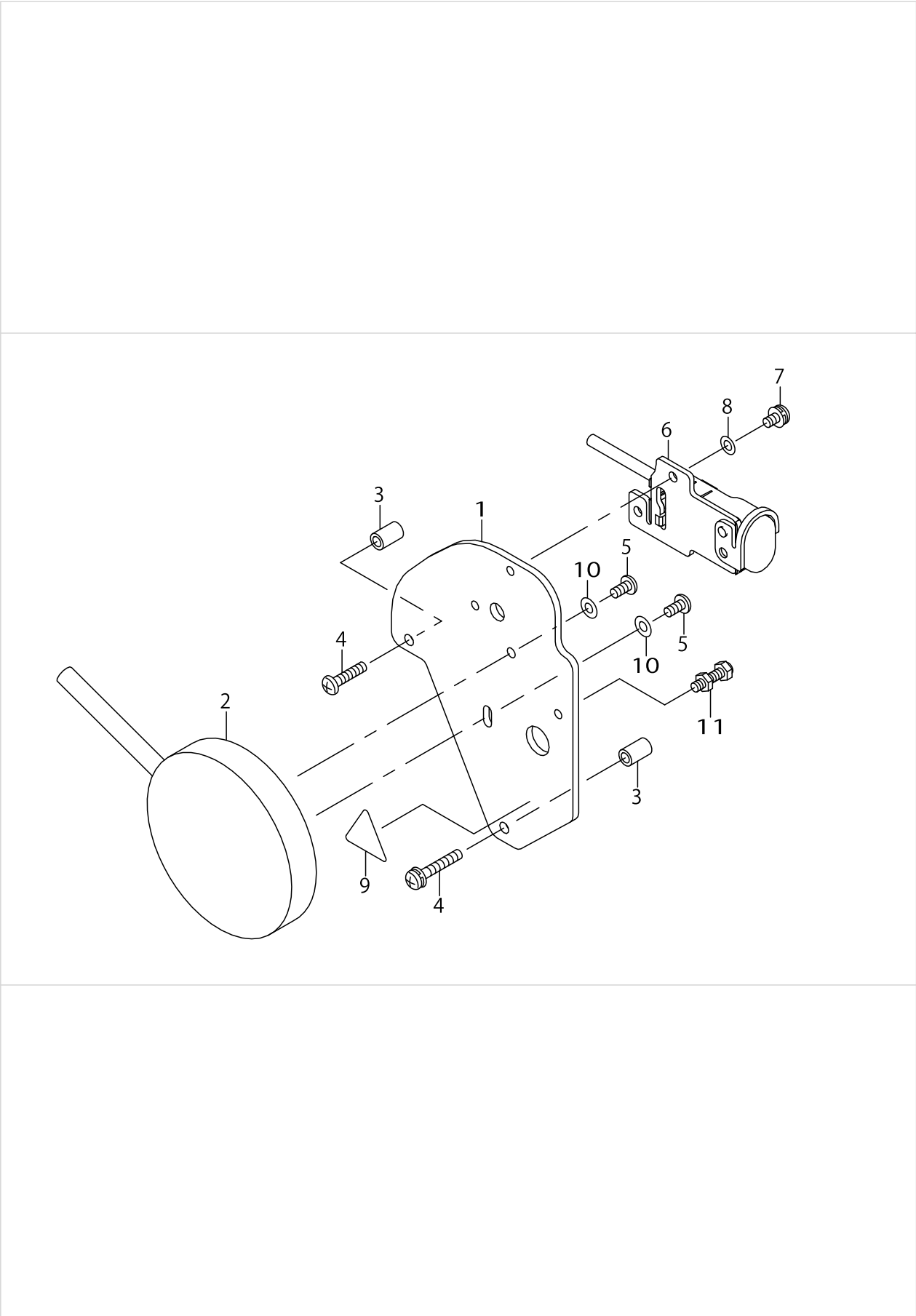
CLOTH FEED BLOW COMPONENTS



CLOTH FEED BLOW COMPONENTS

No.	Parts No.	Parts name	Remarks	Level	Cons	Qty
1	PC012601000	SPEED CONTROLLER				3
2	G5080397000	TABLE BLOW				3
3	NM6040001SC	NUT M4				3
4	WP0450826SC	WASHER 4.5X10X0.8				3
5	EA9500B0200	CABLE BAND 150				6
6	HX00233000B	CABLE BAND				1
7	PJ308060003	Y UNION				1
8	PJ308060004	Y UNION				1

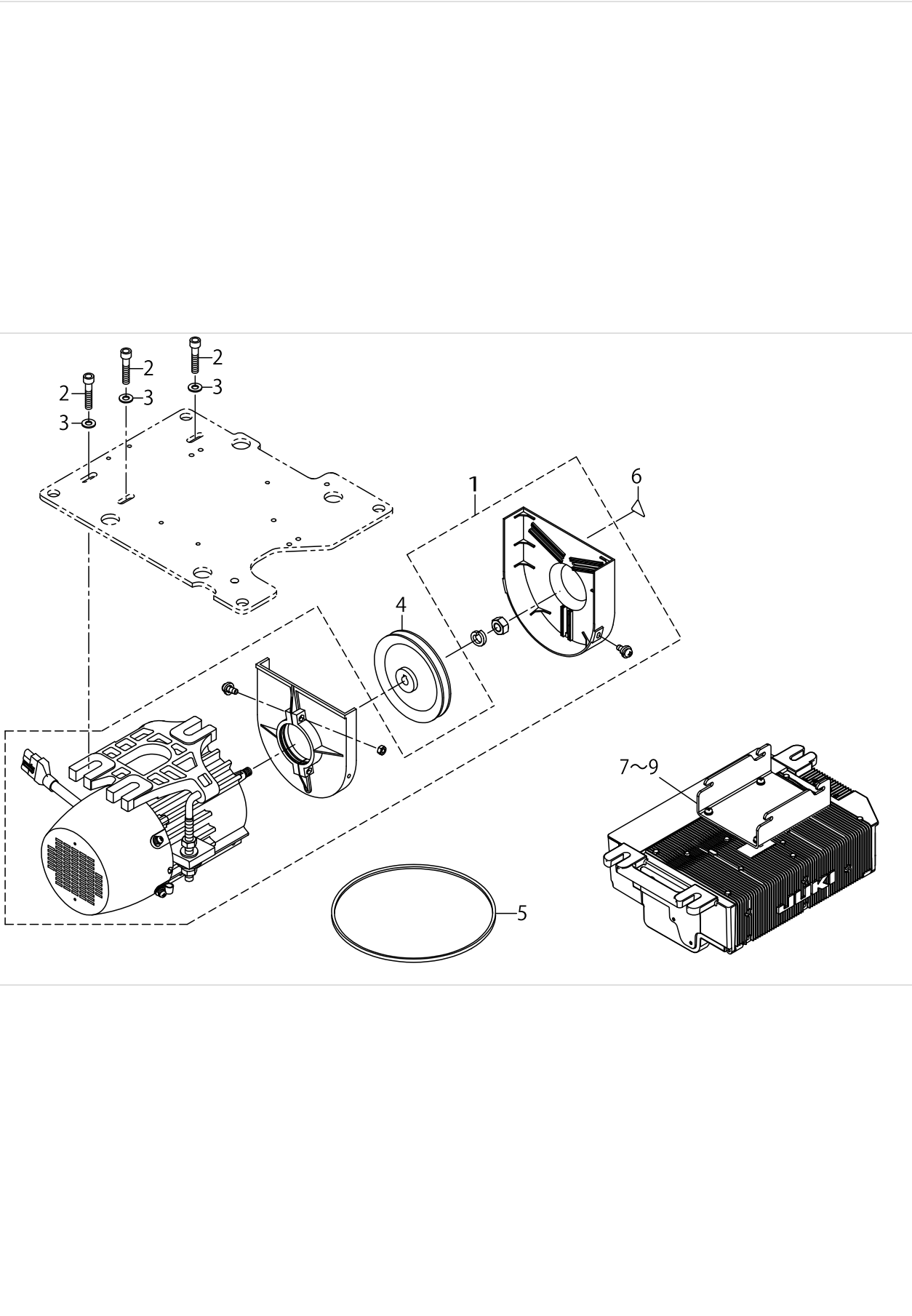
SWITCH COMPONENTS



SWITCH COMPONENTS

No.	Parts No.	Parts name	Remarks	Level	Cons	Qty
1	40075279	SENSOR_BASE				1
2	40082341	STACKER_SWITCH_ASM.				1
3	12209706	COLLAR				2
4	SL4042591SC	SCREW M4 L=25				2
5	ST4041451SN	TAPPING SCREW				2
6	32002354	SWITCH ASM.				1
7	SL4040891SC	SCREW M4 L=8				2
8	WP0430800SC	WASHER M4				2
9	CM300200002	CAUTION LABEL(25)				1
10	WP0430801SE	WASHER 4.3X9X0.8				1
11	G5912254000	STOPPER BOLT				1

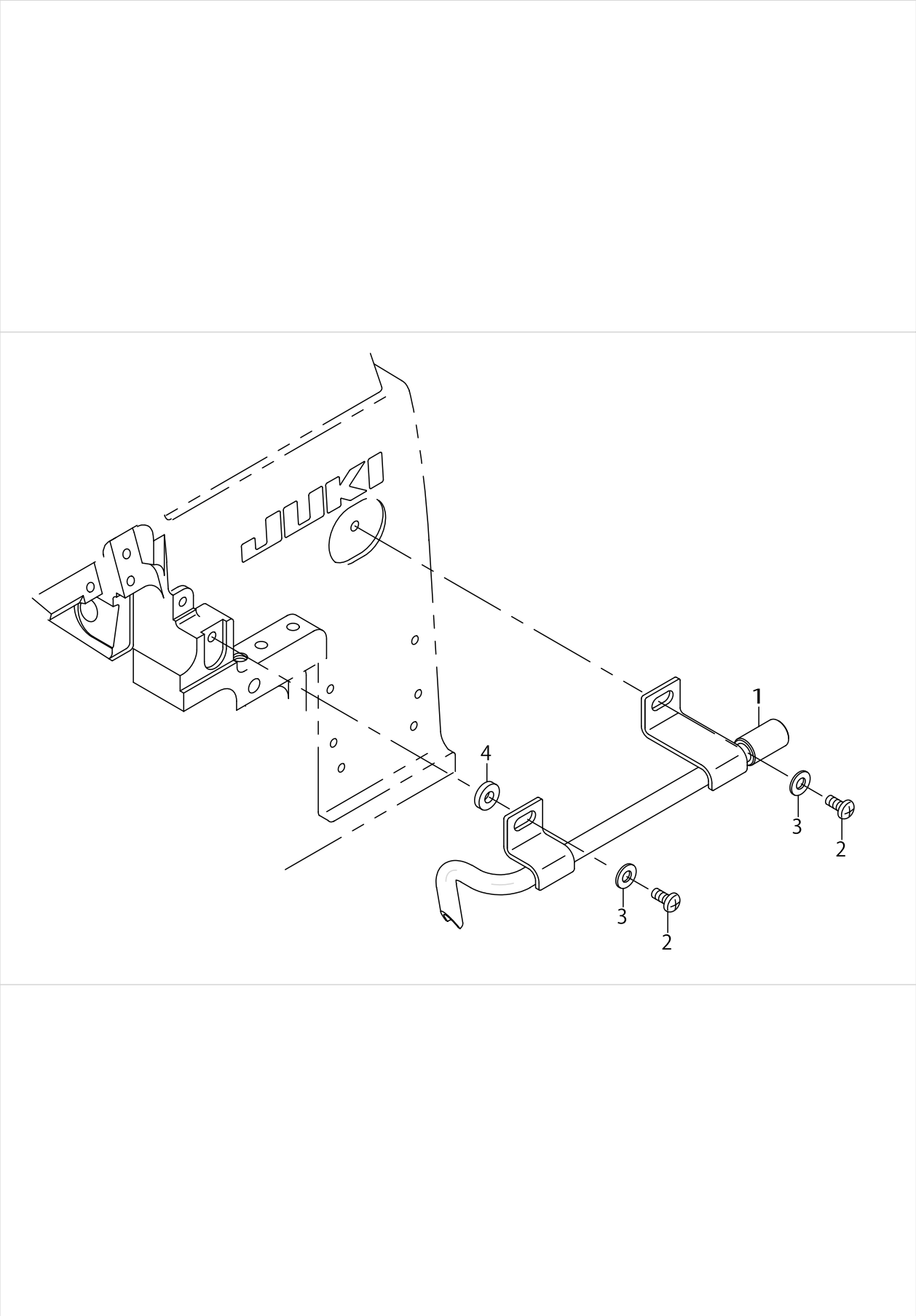
MOTOR ELECTRIC APPARATUS COMPONENTS



MOTOR ELECTRIC APPARATUS COMPONENTS

No.	Parts No.	Parts name	Remarks	Level	Cons	Qty
1	40102015	M51N COMPLETE				1
2	SM6084002TN	SCREW M8 L=40				3
3	WP0841601SC	WASHER 8.4X17.4X1.6				3
4	MTSP01350B0	MOTOR PULLEY ASM. P.C.D 135				1
5	MTJVM003500	V-BELT 35 INCH				1
6	CM300200002	CAUTION LABEL(25)				1
7	40106058	SC-921 1PHASE 220-240V PFL BOX	FOR GENERAL EXPORT			1
8	40106057	SC-921 1PHASE 220-240V PFL BOX CE	FOR CE			1
9	40106060	SC-921 3PHASE 200-240V PFL BOX JA	FOR USE IN JAPAN			1

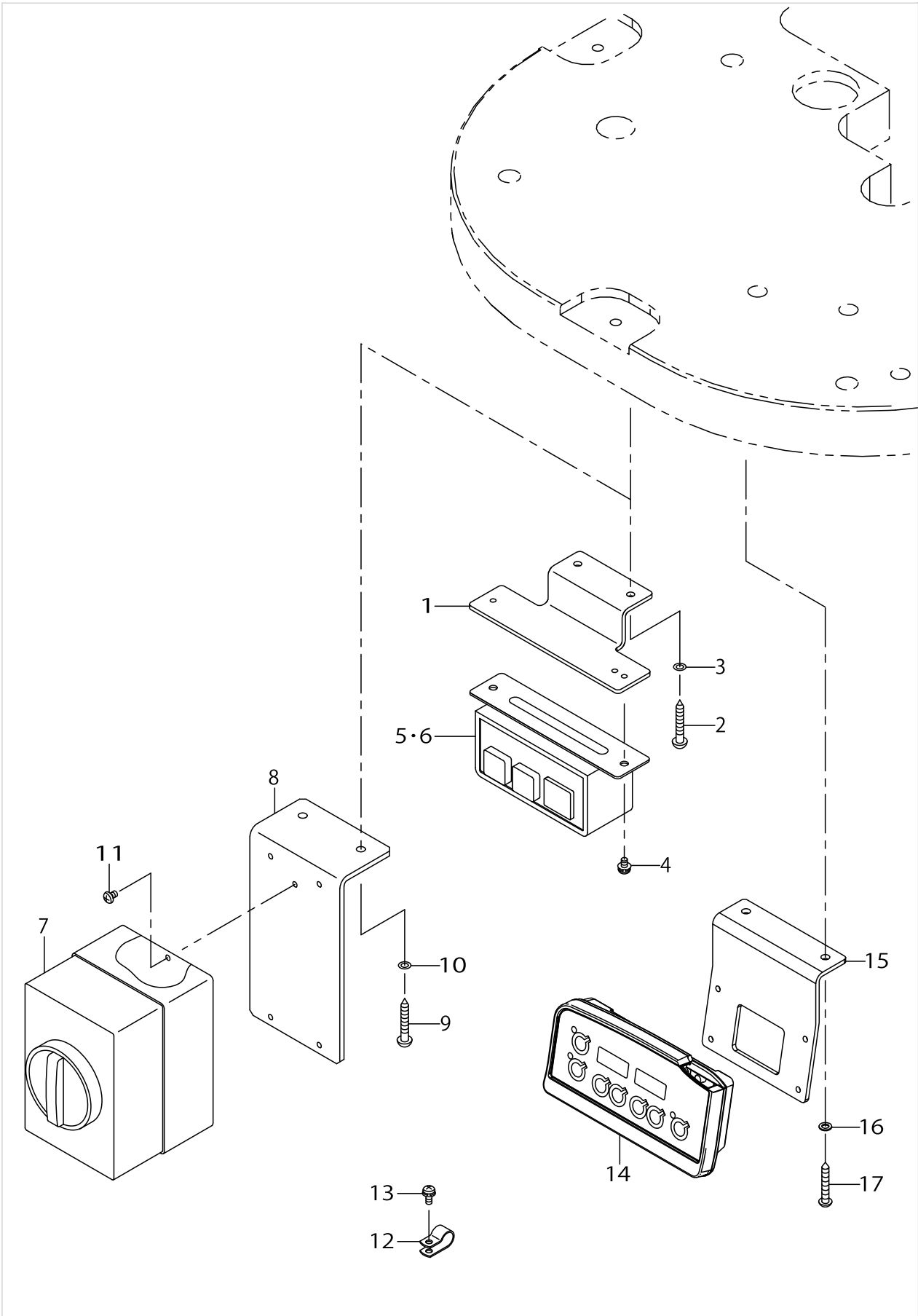
UPPER LOOPER ARM DUST COLLECTOR COMPONENTS



UPPER LOOPER ARM DUST COLLECTOR COMPONENTS

No.	Parts No.	Parts name	Remarks	Level	Cons	Qty
1	40082267	CLEANING_PIPE_ASSY				1
2	SS4110915SP	SCREW 11/64-40 L=9				2
3	WP0501016SD	WASHER 5X10.5X1				2
4	WP0502616SD	WASHER				1

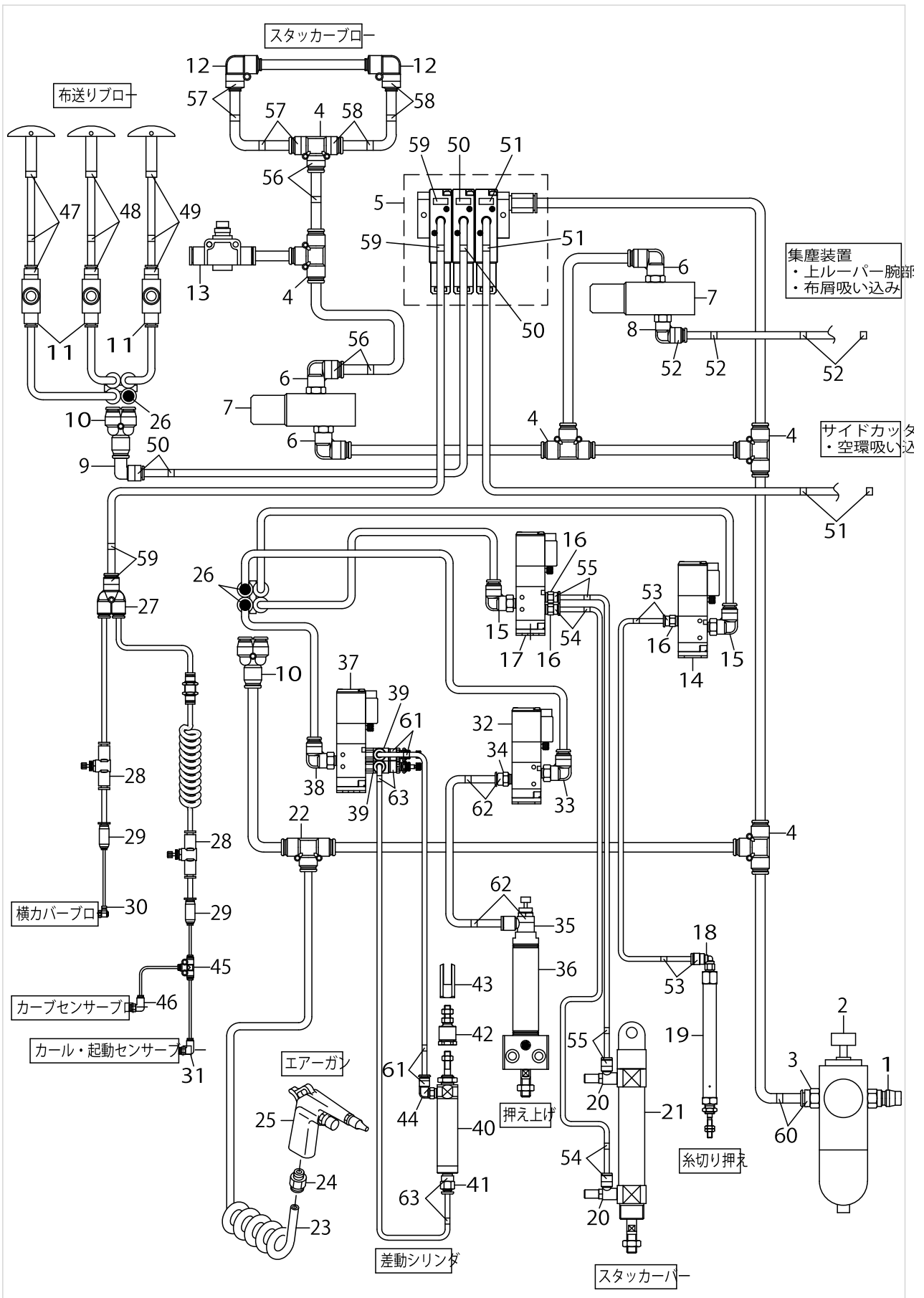
OPERATION PANEL COMPONENTS



OPERATION PANEL COMPONENTS

No.	Parts No.	Parts name	Remarks	Level	Cons	Qty
1	40082272	POWER_SWITCH_BRACKET				1
2	SK3483201SE	WOOD SCREW D=4.8 L=32				2
3	WP0480856SP	WASHER 4.8X8.4X0.8				2
4	SL6040892TN	BOLT				2
5	M6101471CA0	POWER SWITCH C ASM.	FOR GENERAL EXPORT (1-PHASE 200V~240V)			1
6	40049385	POWER SWITCH D ASM.	FOR USE IN JAPAN (3-PHASE 200V)			1
7	HA005820000	SWITCH	FOR CE			1
8	40082265	MAIN_SWITCH_BRACKET	FOR CE			1
9	SK3483201SE	WOOD SCREW D=4.8 L=32	FOR CE			2
10	WP0480856SP	WASHER 4.8X8.4X0.8	FOR CE			2
11	SM4040655SN	SCREW M4X0.7 L=6	FOR CE			2
12	HX00150000D	CABLE CLIP	FOR CE			4
13	SL4041091SC	SCREW M4 L=10	FOR CE			4
14	40101883	CP-18 TYPE-C COMPLETE				1
15	40160233	PANEL BRACKET				1
16	WP0480856SP	WASHER 4.8X8.4X0.8				2
17	SK3483201SE	WOOD SCREW D=4.8 L=32				2

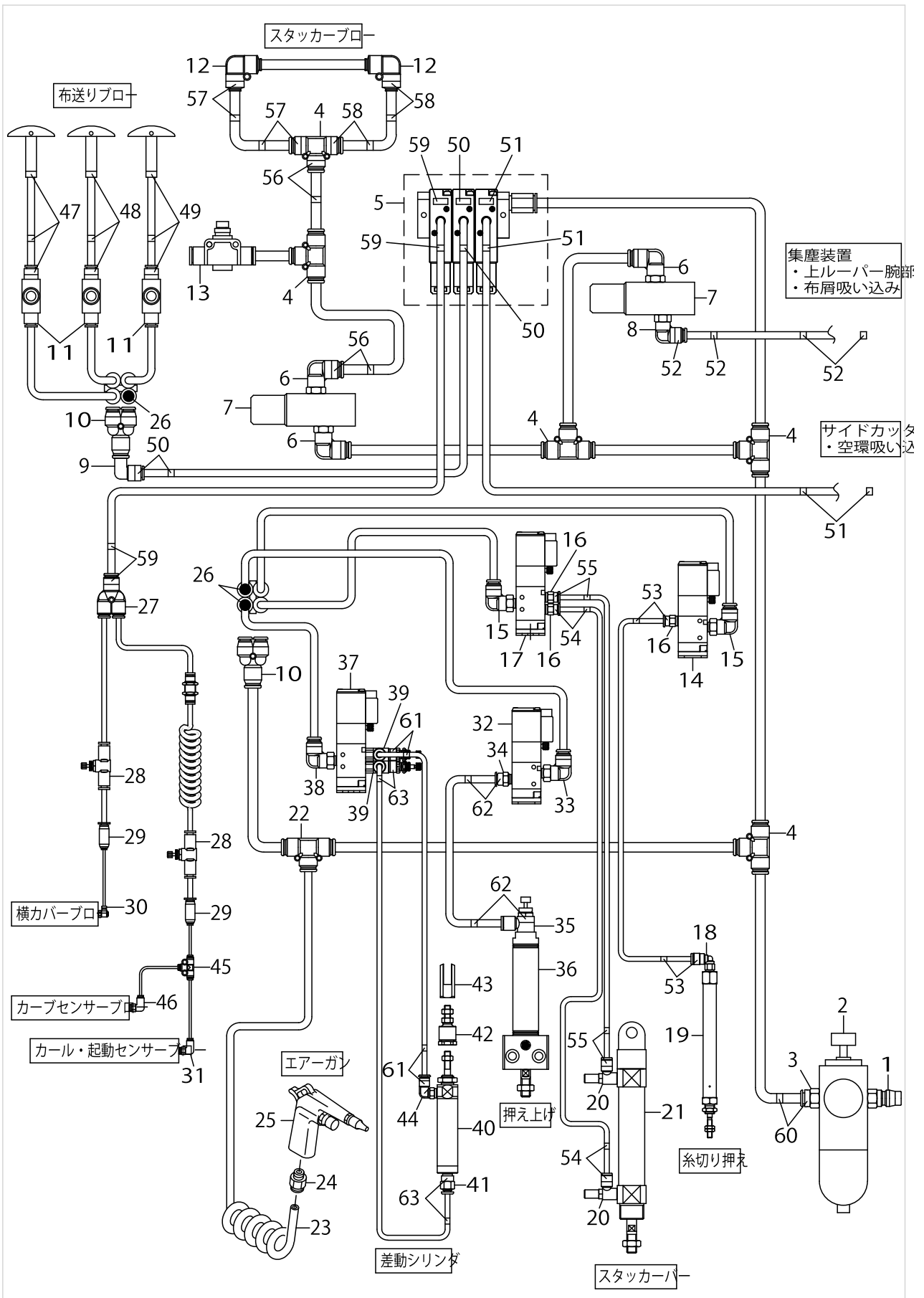
PNEUMATIC CIRCUIT DIAGRAM



PNEUMATIC CIRCUIT DIAGRAM

No.	Parts No.	Parts name	Remarks	Level	Cons	Qty
1	PJ309005203	QUICK JOINT PLUG				1
2	16121006	FILTER REGULATOR				1
3	PJ301085201	HALF UNION				1
4	PJ305080002	UNION TEE				5
5	G51003970A0	MANIHOLD ASM.				1
6	PJ304085102	ELBOW				3
7	G51023970A0	SOLENOID VALVE ASM.				2
8	PJ304065102	ELBOW				1
9	PJ304060001	ELBOW				1
10	PJ309080004	UNION Y				2
11	PC012601000	SPEED CONTROLLER				3
12	PJ304080001	UNION ELBOW				2
13	PC022801000	THROTTLE VALVE				1
14	PV130540000	3-PORT SOLENOID VALVE				1
15	PJ304060501	ELBOW				2
16	PJ301040506	STRAIGHT				3
17	PV150536000	5-PORT SOLENOID VALVE				1
18	PJ304040504	ELBOW UNION				1
19	PA1004505A0	CYLINDER				1
20	PC010523000	SPEED CONTROLLER				2
21	PA200500100	AIR CYLINDER				1
22	PJ305080001	PIPE TEE				1
23	GSS36020000	COIL TUBE				1
24	PJ301065103	HALF UNION 6XPT1/8				1
25	16111403	AIR GUN				1
26	PX950001000	PLUG				3
27	PJ308060002	TEE UNION				1
28	PC012406000	SPEED CONTROLLER				2
29	PJ303040005	UNION				2
30	PJ046039003	ELBOW				1
31	PJ304020301	ELBOW				1
32	PV130540000	3-PORT SOLENOID VALVE	OPTIONAL PARTS			1
33	PJ304060501	ELBOW	OPTIONAL PARTS			1
34	PJ301060504	JOINT	OPTIONAL PARTS			1
35	PC015114000	SPEED CONTROLLER	OPTIONAL PARTS			1
36	PA2002514A0	AIR CYLINDER	OPTIONAL PARTS			1
37	PV150536000	5-PORT SOLENOID VALVE	OPTIONAL PARTS			1
38	PJ304060501	ELBOW	OPTIONAL PARTS			1
39	PF070501000	PRESSURE DECREASING VALVE	OPTIONAL PARTS			1
40	PA1503002A0	AIR CYLINDER	OPTIONAL PARTS			1
41	PJ301040501	HALF UNION M5 D=4	OPTIONAL PARTS			1
42	PA900036000	CYLINDER JOINT	OPTIONAL PARTS			1
43	PA900056000	KNUCKLE Y	OPTIONAL PARTS			1
44	PJ304040508	ELBOW	OPTIONAL PARTS			1
45	PJ305020001	T-JOINT	OPTIONAL PARTS			1
46	PJ304020301	ELBOW	OPTIONAL PARTS			1
47	18035006	WIRE MARK (1)				4

PNEUMATIC CIRCUIT DIAGRAM



PNEUMATIC CIRCUIT DIAGRAM

No.	Parts No.	Parts name	Remarks	Level	Cons	Qty
48	18035105	WIRE MARK (2)				4
49	18035204	WIRE MARK (3)				4
50	18035303	WIRE MARK (4)				4
51	18035402	WIRE MARK (5)				4
52	18035501	WIRE MARK (6)				4
53	18035600	WIRE MARK (7)				4
54	18035709	WIRE MARK (8)				4
55	18035808	WIRE MARK (9)				4
56	18035907	WIRE MARK (10)				4
57	18036004	WIRE MARK (11)				4
58	18036103	WIRE MARK (12)				4
59	18036202	WIRE MARK (13)				4
60	18036301	WIRE MARK (14)				2
61	18036400	WIRE MARK (15)				4
62	18036509	WIRE MARK (16)				4
63	18036608	WIRE MARK (17)				4

TABLE COMPONENTS (ASN-690S)

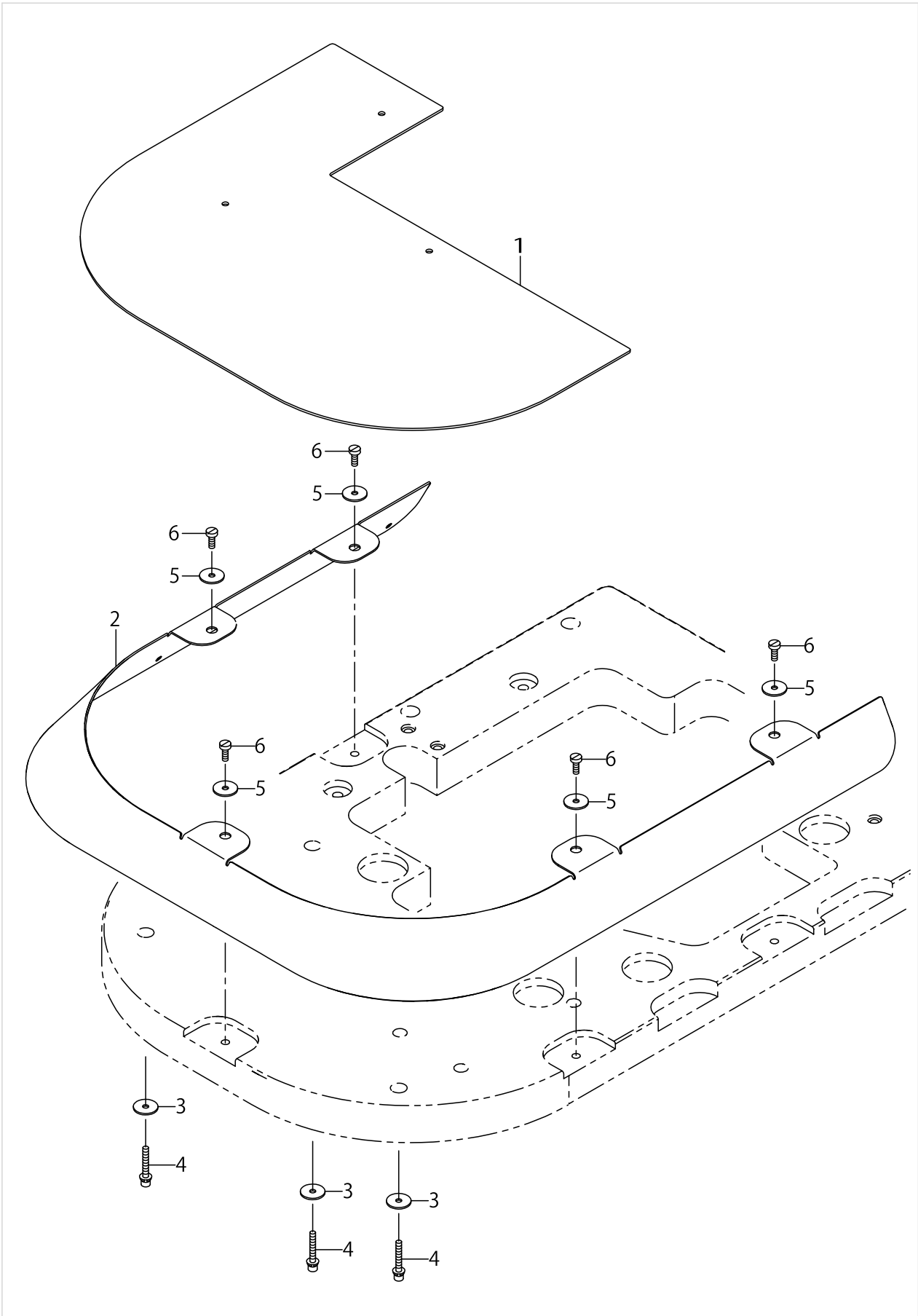


TABLE COMPONENTS (ASN-690S)

No.	Parts No.	Parts name	Remarks	Level	Cons	Qty
1	40082259	SEWING_TABLE_S_MAIN				1
2	40082260	SEWING_TABLE_S_SUB				1
3	WP0551626SD	WASHER 5.5X22.0X1.6				3
4	SL6053592TN	BOLT				3
5	WP0551626SD	WASHER 5.5X22.0X1.6				5
6	SM6051400SP	SCREW				5

TABLE COMPONENTS (ASN-690L)

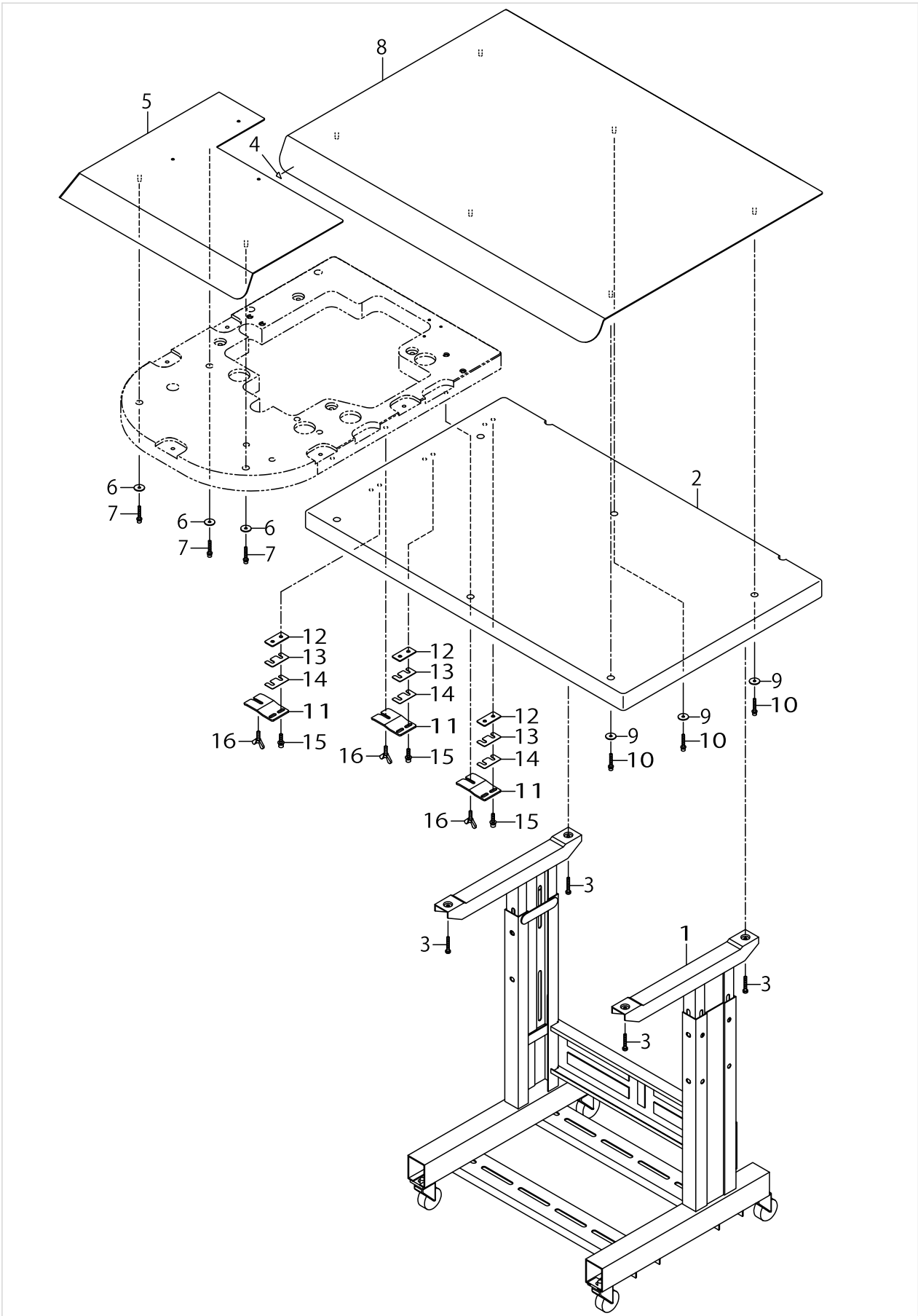
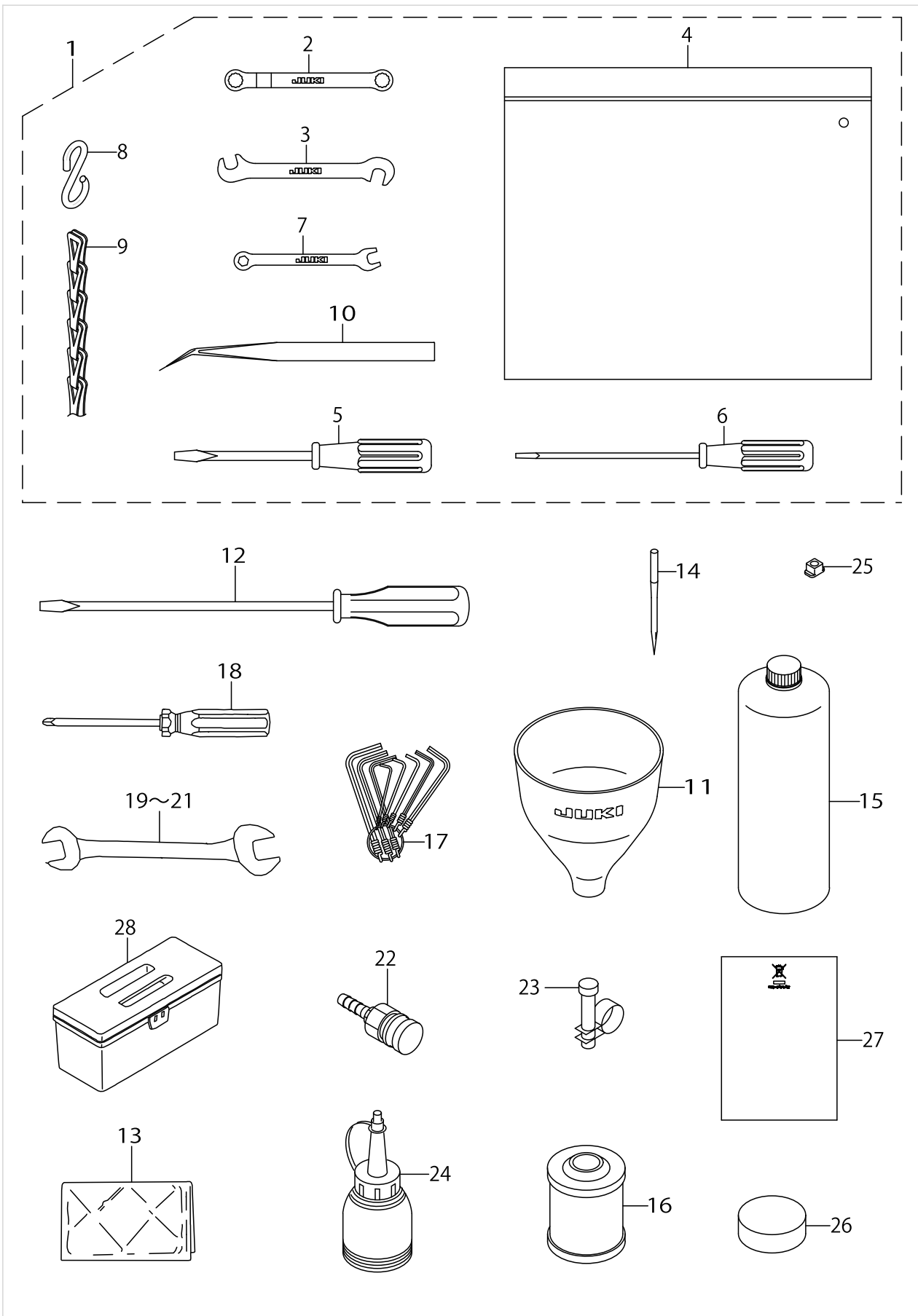


TABLE COMPONENTS (ASN-690L)

No.	Parts No.	Parts name	Remarks	Level	Cons	Qty
1	40082280	T_STAND_ASSY				1
2	40085313	SUB_TABLE_ASSY				1
3	ST9053511SR	TAPPING SCREW M5X35				4
4	CM300200001	ATTENTION SEAL				1
5	40082262	SEWING_TABLE_L_MAIN				1
6	WP0551626SD	WASHER 5.5X22.0X1.6				3
7	SL6053592TN	BOLT				3
8	40085315	SEWING_TABLE_L_SUB				1
9	WP0551626SD	WASHER 5.5X22.0X1.6				6
10	SL6053592TN	BOLT				6
11	40082264	SUB_TABLE_BRACKET				3
12	40076142	SPACER2.0	SELECTIVE PARTS			3
13	40076143	SPACER1.0	SELECTIVE PARTS			6
14	40076144	SPACER0.5	SELECTIVE PARTS			3
15	SL6062592TN	SCREW				6
16	16187007	WING BOLT				3

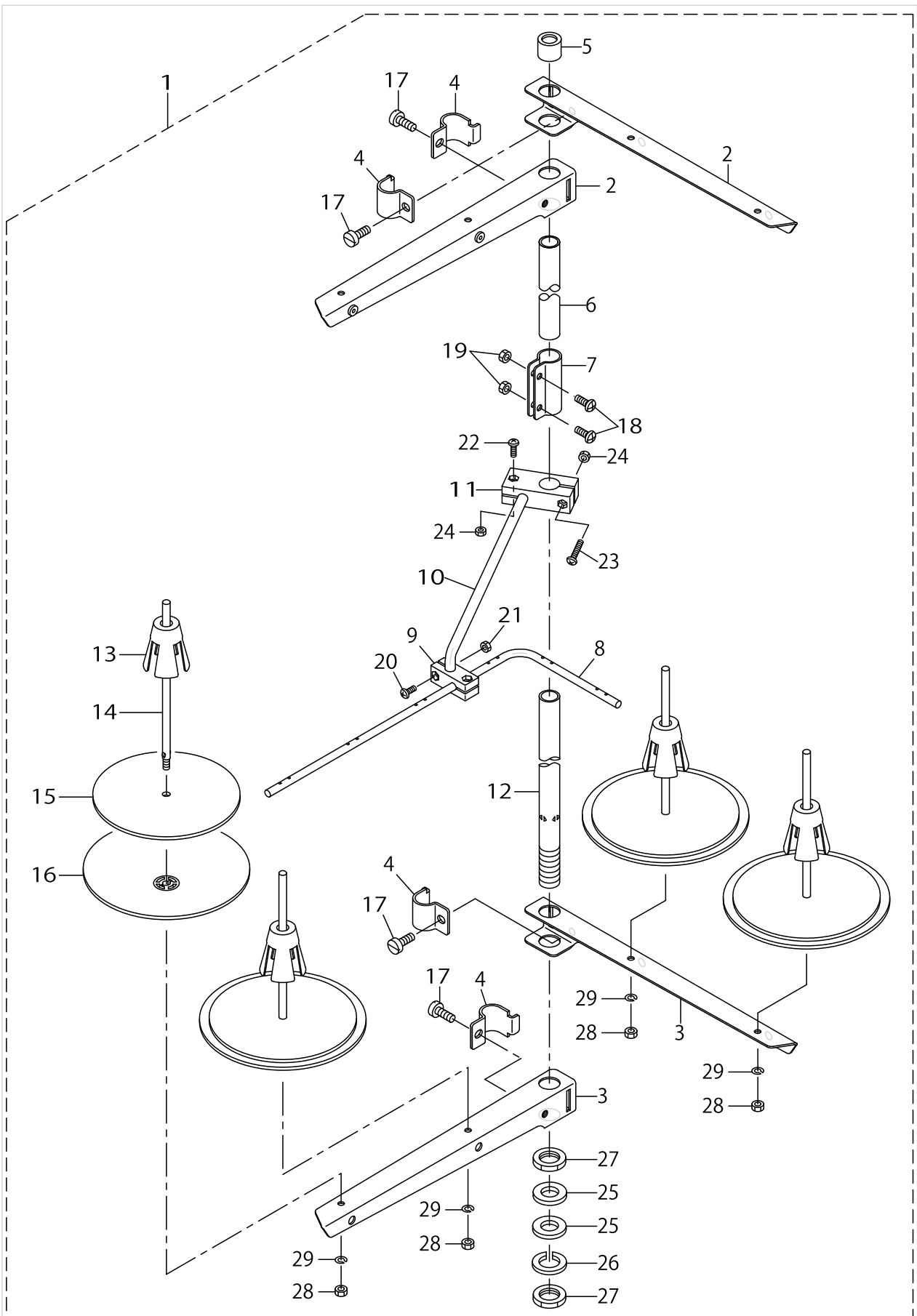
ACCESSORIE PARTS COMPONENTS



ACCESSORIE PARTS COMPONENTS

No.	Parts No.	Parts name	Remarks	Level	Cons	Qty
1	13160858	ACCESSORIE BAG ASM.				1
2	13160007	RING SPANNER		*		1
3	13160205	PIN SPANNER		*		1
4	22932800	ACCESSORIE BAG		*		1
5	22933105	SCREW DRIVER (MIDDLE)		*		1
6	12347308	SCREW DRIVER (SMALL)		*		1
7	13160106	SPANNER (5X6)		*		1
8	13160304	S SHAPED HOOK		*		2
9	13160403	CHAIN		*		1
10	12288403	TWEEZERS		*		1
11	13160601	FUNNEL				1
12	22933006	SCREW DRIVER (LARGE)				1
13	40048535	HEAD_COVER				1
14	MDC270B1104	NEEDLE DCX27 #11-4EA.				1
15	MML018900CA	JUKI MACHINE OIL 18				1
16	13142500	CARTRIDGE FILTER				1
17	G91011160A0	L-SHAPED WRENCH ASM.				1
18	J1071000000	SCREW DRIVER				1
19	J1043000A0A	WRENCH 10X13				1
20	B9102761000	WRENCH (17X19)				1
21	B9110804000	WRENCH (8X9)				1
22	PJ309520001	SOCKET				1
23	PB000010000	HOSE BAND				1
24	J1067000000	OILER				2
25	MAT02503000	SLIDE BLOCK				1
26	18072603	THREAD CUTTER SUPPORT CUSHION				1
27	CM600100201	WEEE INFORMATION SHEET	FOR CE			1
28	B8601WP10A0	TOOL BOX ASM.				1

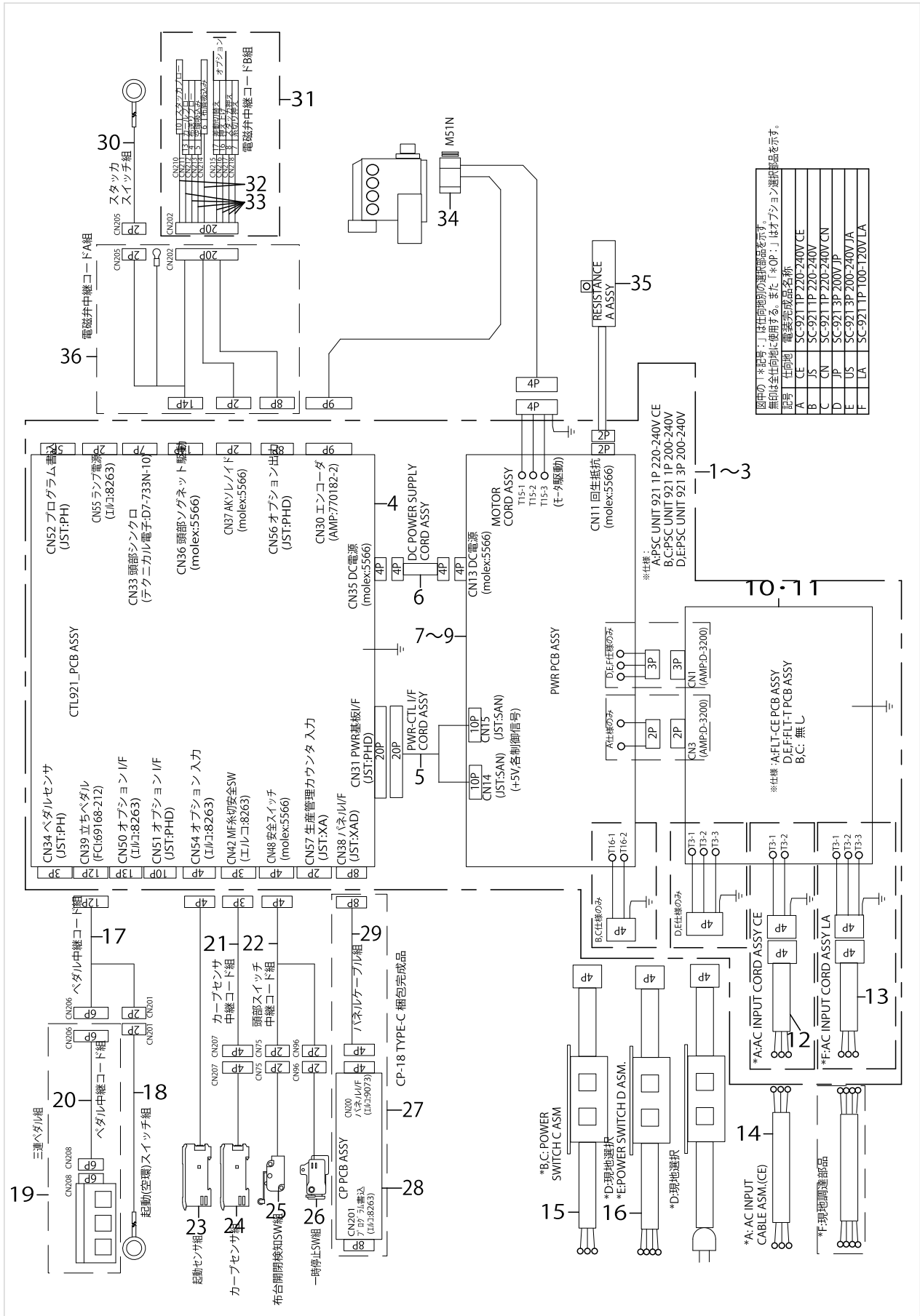
THREAD STAND COMPONENTS



THREAD STAND COMPONENTS

No.	Parts No.	Parts name	Remarks	Level	Cons	Qty
1	13167556	THREAD STANDING DEVICE ASM.				1
2	22930556	THREAD STANDING ARM ASM.		*		2
3	22930507	SPOOL REST ARM		*		2
4	22930705	THREAD GUIDE ARM JOINT		*		4
5	22931406	SPOOL REST ROD RUBBER CAP		*		1
6	22930408	SPOOL REST ROD (UPPER)		*		1
7	22931307	SPOOL REST ROD JOINT		*		1
8	13167903	THREAD STANDING THREAD GUIDE		*		1
9	13168000	THREAD GUIDE BASE (LOWER)		*		1
10	13168109	THREAD GUIDE ARM BASE		*		1
11	13168208	THREAD GUIDE ARM BASE		*		1
12	22930309	SPOOL REST ROD (LOWER)		*		1
13	22931109	SPOOL RETAINER		*		4
14	22931000	SPOOL PIN		*		4
15	22930903	SPOOL REST CUSHION		*		4
16	22930804	SPOOL REST		*		4
17	SM6061610SC	SCREW M6 L=16		*		4
18	SM4051405SE	SCREW M5 L=14		*		2
19	NM6050001SE	NUT M5		*		2
20	SM4041001SC	SCREW M4X0.7 L=10		*		2
21	NM6040002SE	NUT M4X0.7		*		2
22	SM4041201SC	SCREW M4 L=12		*		1
23	SM4042001SC	SCREW M4X20		*		1
24	NM6040002SE	NUT M4X0.7		*		2
25	WP1612616SE	WASHER 16X30X2.6		*		2
26	WS1643202KR	SPRING WASHER		*		1
27	NM6160511SE	NUT M16X1.5		*		2
28	NM6050001SE	NUT M5		*		4
29	WS0510002KN	SPRING WASHER		*		4

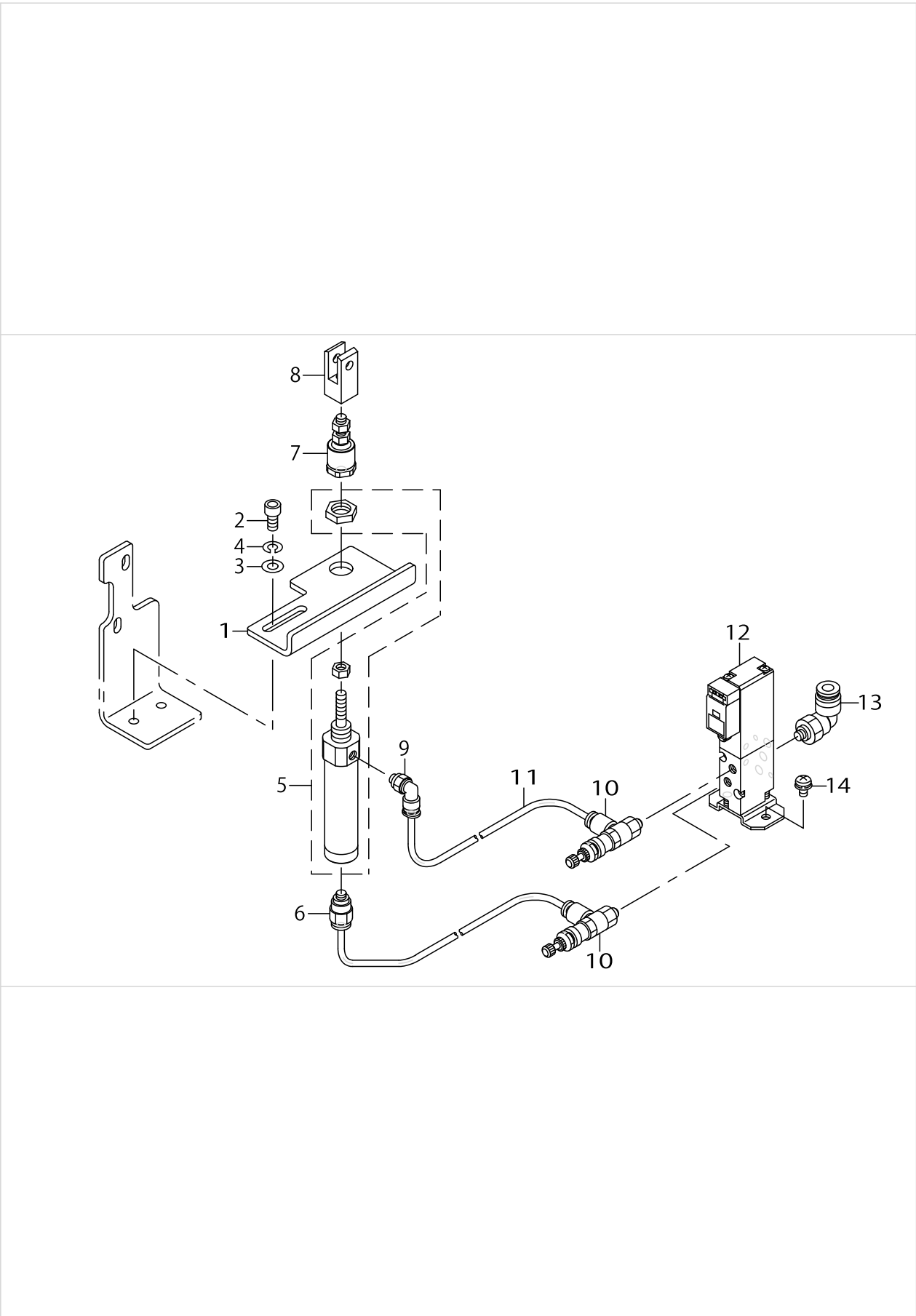
WIRING DIAGRAM (SC-921)



WIRING DIAGRAM (SC-921)

No.	Parts No.	Parts name	Remarks	Level	Cons	Qty
1	40106057	SC-921 1PHASE 220-240V PFL BOX CE	FOR 1-PHASE 220~240V CE			1
2	40106058	SC-921 1PHASE 220-240V PFL BOX	FOR 1-PHASE 220~240V, 1-PHASE 220~240V CN			1
3	40106060	SC-921 3PHASE 200-240V PFL BOX JA	FOR 3-PHASE 200V JP, 3-PHASE 200~240V JA			1
4	40095143	CTL921_PCB ASSY		*		1
5	40087150	PWR-CTL I/F CORD ASSY		*		1
6	40087153	DC POWER SUPPLY CORD ASSY		*		1
7	40089241	PWR-CE PCB ASSY	FOR 1-PHASE 220~240V CE	*		1
8	40087129	PWR-S PCB ASSY	FOR 1-PHASE 220~240V, 1-PHASE 220~240V CN	*		1
9	40087147	PWR-T PCB ASSY	FOR 3-PHASE 200V JP, 3-PHASE 200~240V JA, 1-PHASE 100~120V LA	*		1
10	40085811	FLT-CE PCB ASSY	FOR 1-PHASE 220~240V CE	*		1
11	40087139	FLT-T PCB ASSY	FOR 3-PHASE 200V JP, 3-PHASE 200~240V JA, 1-PHASE 100~120V LA	*		1
12	40088052	AC INPUT CORD ASSY CE	FOR 1-PHASE 220~240V CE	*		1
13	40089575	AC INPUT CORD ASSY LA	FOR 1-PHASE 100~120V LA	*		1
14	M6102461DAA	AC INPUT CABLE ASM.(CE)	FOR 1-PHASE 220~240V CE			1
15	M6101471CA0	POWER SWITCH C ASM.	FOR 1-PHASE 220~240V, 1-PHASE 220~240V CN			1
16	40049385	POWER SWITCH D ASM.	FOR 3-PHASE 200~240V JA			1
17	40082337	PEDAL_JOINT_CORD_ASSY				1
18	40082348	START_SWITCH_ASM				1
19	40082455	3-PEDAL(PK-79)				1
20	40082349	PEDAL_JOINT_CORD_ASM		*		1
21	40156031	CURVE_SENSOR_JOINT_CORD_ASSY				1
22	40156032	SWITCH_JOINT_CORD_ASSY				1
23	40156030	STARTSENSOR ASSY				1
24	40082339	CURVE_SENSOR_ASSY				1
25	32002255	SWITCH ASM.				1
26	32002354	SWITCH ASM.				1
27	40101883	CP-18 TYPE-C COMPLETE				1
28	40101889	CP PCB ASSY		*		1
29	40101885	PANEL CORD ASSY		*		1
30	40082341	STACKER_SWITCH_ASM				1
31	40082344	VALVE_JOINT_CORD_ASSY_B				1
32	40082346	VALVE_CORD_ASSY_A		*		2
33	40082347	VALVE_CORD_ASSY_B		*		7
34	40102015	M51N COMPLETE				1
35	40087154	RESISTANCE_A_ASSY				1
36	40156029	VALVE_JOINT_CORD_ASSY_A				1

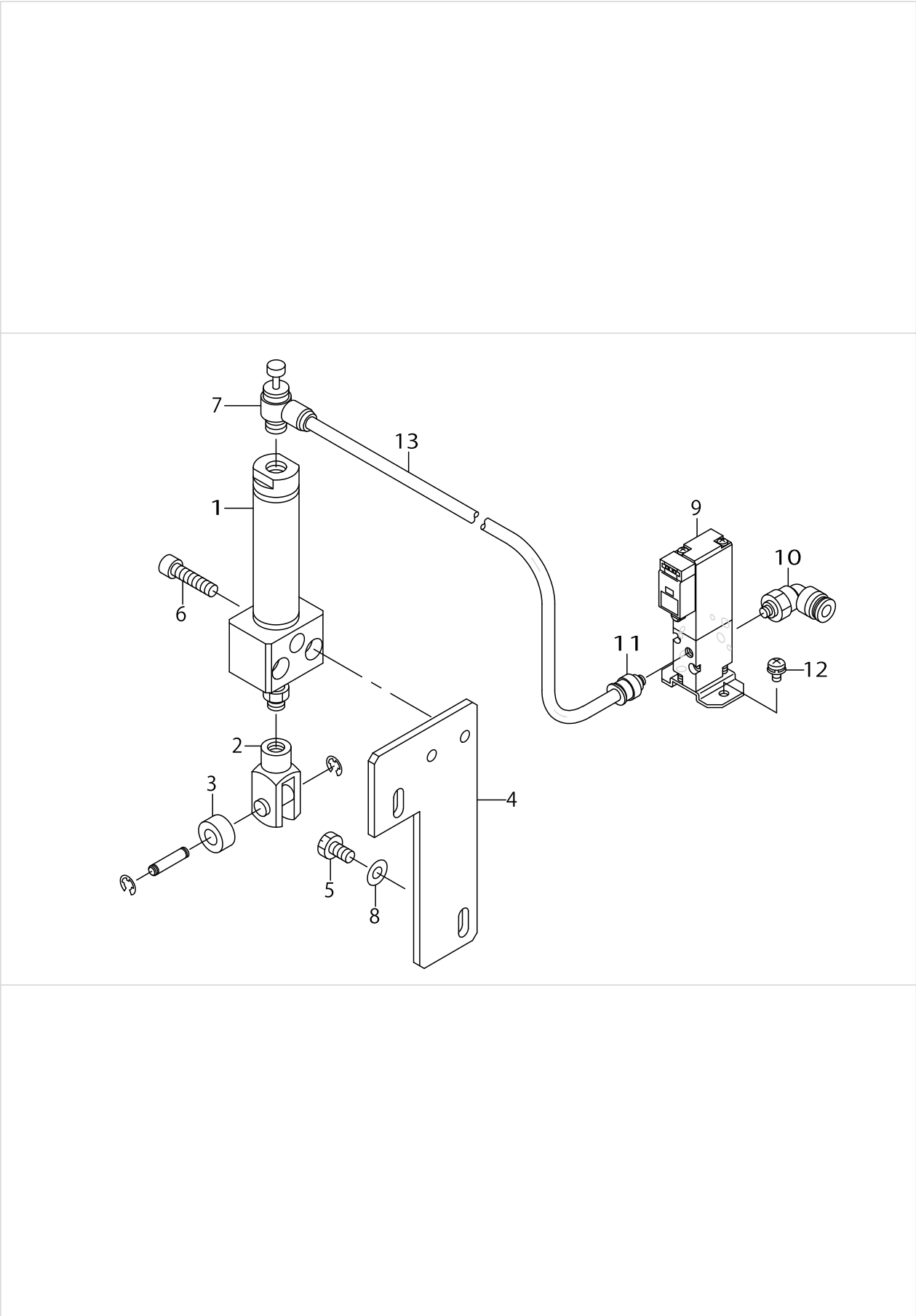
PF-10:DIFFERENTIAL MECHANISM COMPONENTS (OPTIONAL PARTS)



PF-10:DIFFERENTIAL MECHANISM COMPONENTS (OPTIONAL PARTS)

No.	Parts No.	Parts name	Remarks	Level	Cons	Qty
1	G5020397000	CYLINDER INSTALLING PLATE				1
2	SM6051002TP	SCREW M5X0.8 L=10				2
3	WP0550800SP	WASHER 5.5X10X0.8				2
4	WS0510002KP	SPRING WASHER 5.1X9.2X1.3				2
5	PA1503002A0	AIR CYLINDER				1
6	PJ301040501	HALF UNION M5 D=4				1
7	PA900036000	CYLINDER JOINT				1
8	PA900056000	KNUCKLE Y				1
9	PJ304040508	ELBOW				1
10	PF070501000	PRESSURE DECREASING VALVE				2
11	BT0400251EB	URETHANE HOSE BLACK				1
12	PV150536000	5-PORT SOLENOID VALVE				1
13	PJ304060501	ELBOW				1
14	SL4040891SC	SCREW M4 L=8				2

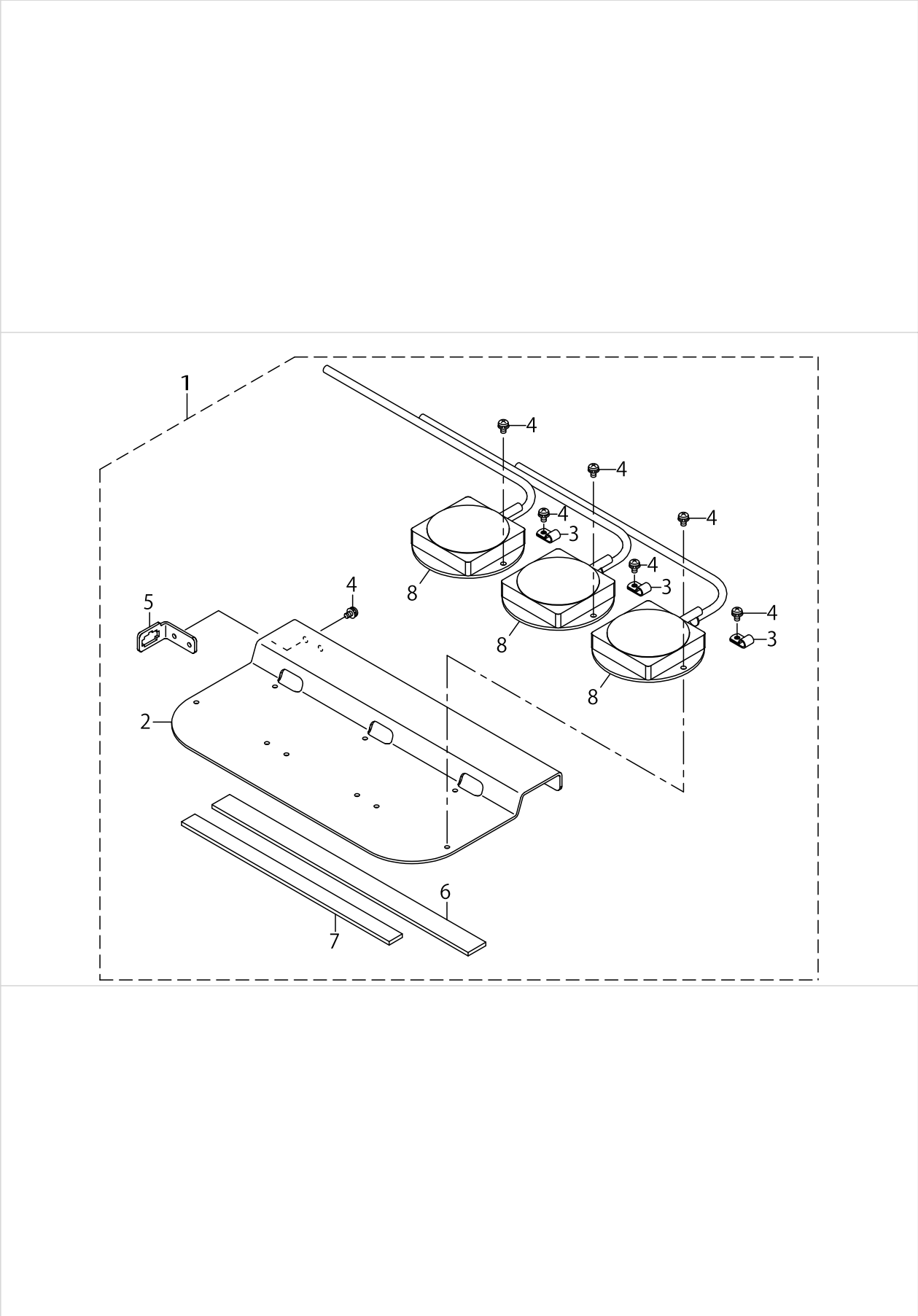
AK-139:PRESSER FOOT LIFTER COMPONENTS (OPTIONAL PARTS)



AK-139:PRESSER FOOT LIFTER COMPONENTS (OPTIONAL PARTS)

No.	Parts No.	Parts name	Remarks	Level	Cons	Qty
1	PA2002514A0	AIR CYLINDER				1
2	PX500003000	KNUCKLE				1
3	B1210111000	NEEDLE BAR CRANK COLLAR				1
4	40082219	CYLINDER PLATE				1
5	SS9151120CP	SCREW 15/64-28 L=11				2
6	SM6062502TP	SCREW M6 L=25				2
7	PC015114000	SPEED CONTROLLER				1
8	WP0641600SC	WASHEW 6.4X12.5X1.6				2
9	PV130540000	3-PORT SOLENOID VALVE				1
10	PJ304060501	ELBOW				1
11	PJ301060504	JOINT				1
12	SL4040891SC	SCREW M4 L=8				2
13	BT0600401EB	TUBE				1

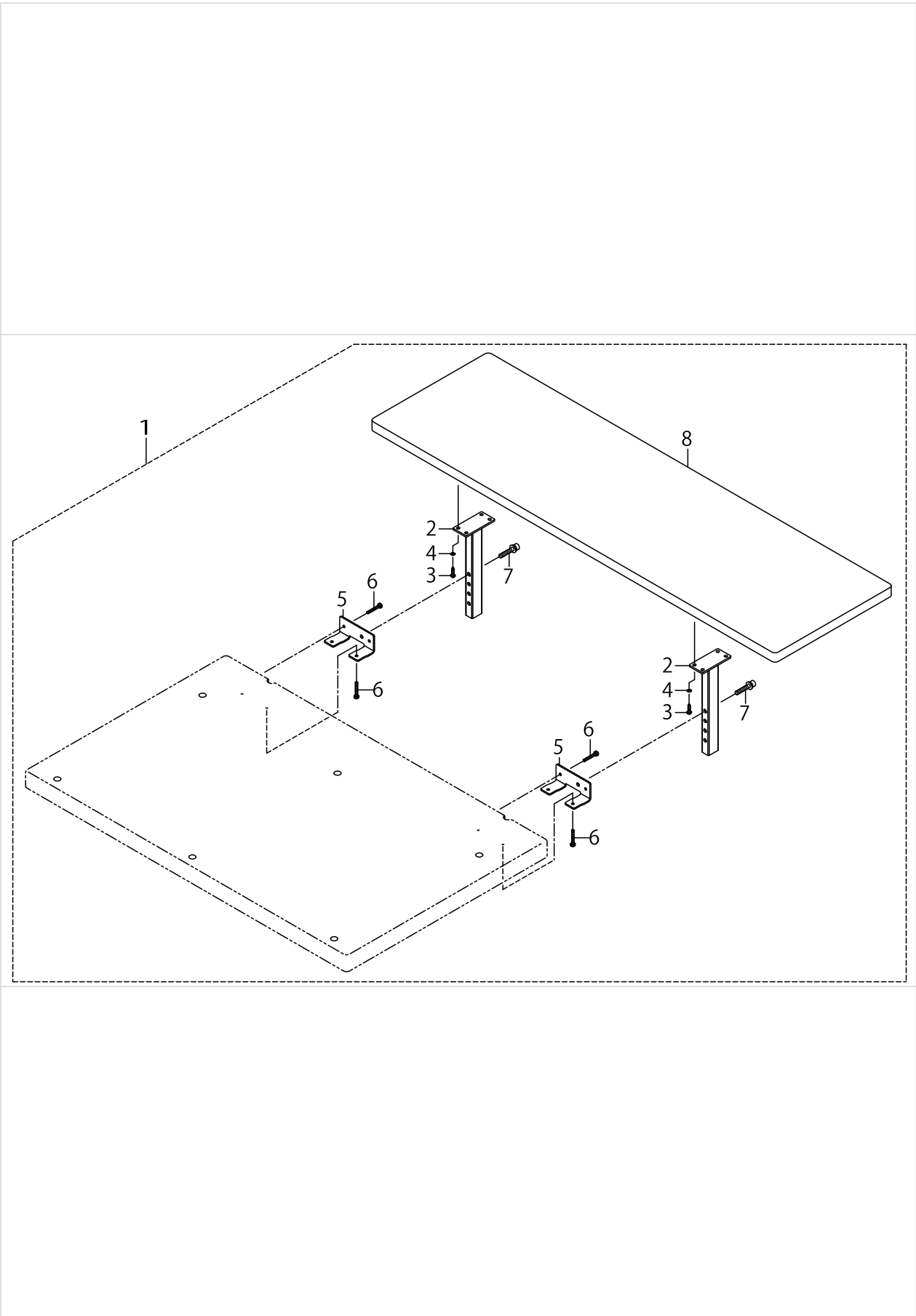
PK-79:PEDAL COMPONENTS (OPTIONAL PARTS)



PK-79:PEDAL COMPONENTS (OPTIONAL PARTS)

No.	Parts No.	Parts name	Remarks	Level	Cons	Qty
1	40082455	3-PEDAL(PK-79)				1
2	40082257	PEDAL_BASE		*		1
3	HX00150000C	CABLE CLIP		*		3
4	SL4040891SC	SCREW M4 L=8		*		11
5	40082255	PEDAL_PLUG_BRACKET		*		1
6	GPK18020000	PEDAL BASE RUBBER		*		1
7	GPK26002000	PEDAL BASE RUBBER		*		1
8	HA006230000	SWITCH		*		3

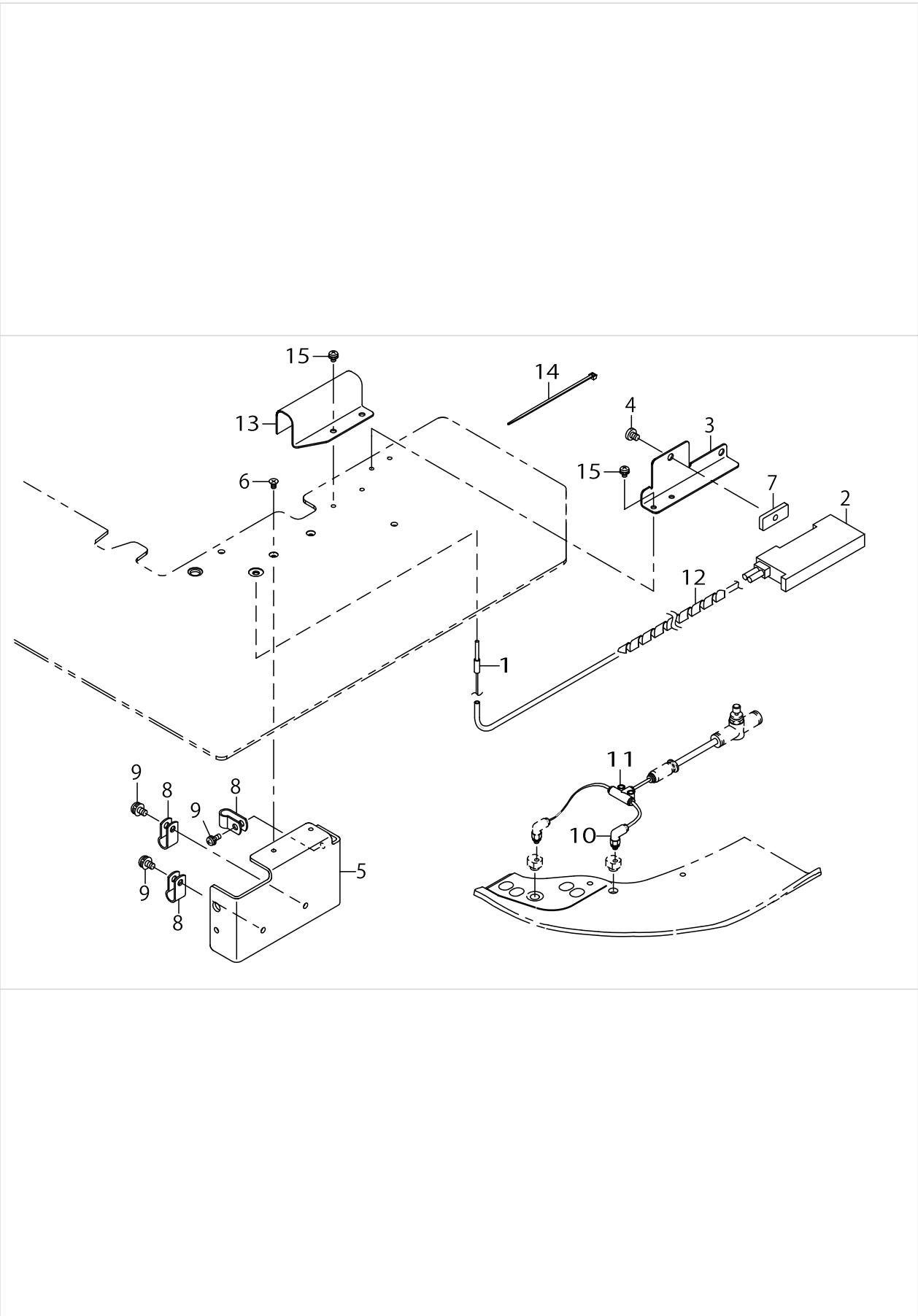
KM-5:CLOTH TABLE COMPONENTS (OPTIONAL PARTS)



KM-5:CLOTH TABLE COMPONENTS (OPTIONAL PARTS)

No.	Parts No.	Parts name	Remarks	Level	Cons	Qty
1	40082456	CLOTH_TABLE(KM-5)				1
2	40082245	CLOTH_TABLE_FOOT		*		2
3	SK3552000SC	WOOD SCREW D=5.5 L=20		*		8
4	WP0450826SC	WASHER 4.5X10X0.8		*		8
5	40075281	CLOTH_TABLE_BRACKET		*		2
6	ST9053511SR	TAPPING SCREW M5X35		*		8
7	SL6084092TN	BOLT		*		2
8	40082222	CLOTH TABLE		*		1

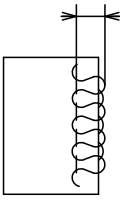
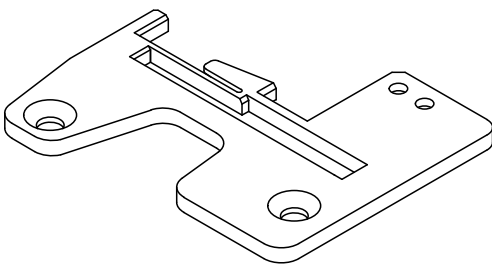
CL-5:CURVE SENSOR COMPONENTS (OPTIONAL PARTS)



CL-5:CURVE SENSOR COMPONENTS (OPTIONAL PARTS)

No.	Parts No.	Parts name	Remarks	Level	Cons	Qty
1	HD002820010	SENSOR			☆	1
2	40082339	CURVE_SENSOR_ASSY			☆	1
3	40083834	SENSOR COVER				1
4	SS7110570SP	SCREW 11/64-40 L=4.8				1
5	40082244	SENSOR_COVER				1
6	SM1030501SC	SCREW M3 L=5				2
7	22556906	FIXED PLATE				1
8	HX00150000B	CABLE CLIP				3
9	SL4040891SC	SCREW M4 L=8				3
10	PJ304020301	ELBOW				1
11	PJ305020001	T-JOINT				1
12	HX003140000	SPIRAL TABE				0.2
13	40083836	FIBER COVER				1
14	EA9500B0100	CABLE BAND				1
15	SL4030591SC	SCREW M3X5				1

GAUGE COMPONENTS

Overredging width かがり幅	Throat plate 針板	
		
mm	Ref.No.	Part No.
4.0	1	400-82223
4.8	2	400-82224
5.6	3	400-82225

GAUGE COMPONENTS

No.	Parts No.	Parts name	Remarks	Level	Cons	Qty
1	40082223	NEEDLE_PLATE_E			☆	1
2	40082224	NEEDLE_PLATE_F			☆	1
3	40082225	NEEDLE_PLATE_G			☆	1

HOW TO MAKE USE OF THIS PARTS LIST

1.Explanation of codes

1)"*"mark.....means this part is changed from the previous parts book.

As to the details of the change, refer to the "List for information of change".

2)"#01".....refer to "Note" explanation at bottom of page.

2.Codes on the "Qty" column

- Each numeral indicates the number of parts required.
- "0.1" and "2.5" indicate the length (in meters) of the respective parts.

3.Parentheses mean that the corresponding part is a subpart that constructs an assembly part.

4.Dotted lines on the Figures indicate assembly parts.

5.As to the parts with marks of "☆"(consumable parts) and "◎"(optional parts)on the respective parts, it is recommended to prepare spares.

1 ."注記"欄の記号説明

1) "*"印.....前回のパーツブックに比較して今回変更された部品を意味します。

変更内容は、"変更情報リスト"を参照してください。

2) "#01".....ページ下の"注記"の説明を参照してください。

2.数量欄の数字は、個数を表し、0.1、2.5等の数値は、長さ（単位メートル）を表します。

3.数量欄の（ ）は、組部品を構成している子部品であることを意味します。

4.イラストページの-----枠は、組構成であることを意味します。

5.リストページの"☆"（消耗部品）、"◎"（オプション部品）の印がついた部品は、予備を準備しておくことをお奨めします。

NUMERICAL INDEX OF PARTS

PART NO	PAGE	REF NO.	PART NO	PAGE	REF NO.	PART NO	PAGE	REF NO.
10901106	6	8	18035105	34	48	40012307	20	64
11820701	2	32	18035204	34	49	40035100	14	6
12112504	2	21	18035303	34	50	40045962	4	22
12112603	2	22	18035402	34	51	40045966	4	2
12112702	2	20	18035501	34	52	40048535	40	13
12209706	24	3	18035600	34	53	40049385	30	5-6
12288403	40	10	18035709	34	54	40049385	44	16
12347308	40	6	18035808	34	55	40058951	10	55
13102702	2	14	18035907	34	56	40075275	8	1
13110804	2	19	18036004	34	57	40075279	24	1
13142500	40	16	18036103	34	58	40075281	52	5
13148101	2	15	18036202	34	59	40075287	14	4
13149208	2	11	18036301	34	60	40076142	38	12
13149307	2	12	18036400	34	61	40076143	38	13
13149406	2	8	18036509	34	62	40076144	38	14
13149505	2	9	18036608	34	63	40082207	2	40
13149703	2	10	18072553	8	12	40082208	14	54
13149901	2	16	18072603	40	26	40082208	16	54
13155064	14	17	22556906	20	48	40082209	14	30
13155403	14	28	22556906	54	7	40082211	18	14
13160007	40	2	22930309	42	12	40082212	14	44
13160106	40	7	22930408	42	6	40082213	20	66
13160205	40	3	22930507	42	3	40082214	20	67
13160304	40	8	22930556	42	2	40082215	2	29
13160403	40	9	22930705	42	4	40082216	2	35
13160601	40	11	22930804	42	16	40082217	2	23
13160858	40	1	22930903	42	15	40082218	20	60
13167556	42	1	22931000	42	14	40082219	48	4
13167903	42	8	22931109	42	13	40082220	2	1
13168000	42	9	22931307	42	7	40082221	2	2
13168109	42	10	22931406	42	5	40082222	52	8
13168208	42	11	22932800	40	4	40082223	56	1
13235304	2	6	22933006	40	12	40082224	56	2
16108508	12	27	22933105	40	5	40082225	56	3
16110405	14	36	25020009	6	4	40082229	2	17
16111403	32	25	25020207	6	3	40082230	18	40
16121006	20	57	25020306	6	6	40082231	14	2
16121006	32	2	25020405	6	7	40082232	14	5
16136806	8	6	25031907	8	15	40082233	14	8
16138109	8	11	25032103	8	17	40082234	14	11
16187007	38	16	25032202	8	18	40082235	14	15
16187908	6	15	32002255	16	51	40082236	14	16
16232209	18	5	32002255	44	25	40082237	14	13
17833658	8	22	32002354	24	6	40082238	14	38
18035006	32	47	32002354	44	26	40082239	14	31

NUMERICAL INDEX OF PARTS

PART NO	PAGE	REF NO.	PART NO	PAGE	REF NO.	PART NO	PAGE	REF NO.
40082240	16	53	40083302	8	9	40106057	26	7~9
40082241	18	1	40083307	12	5	40106057	44	1~3
40082244	54	5	40083308	12	13	40106058	26	7~9
40082245	52	2	40083834	18	27	40106058	44	1~3
40082247	6	19	40083834	54	3	40106060	26	7~9
40082250	6	1	40083835	18	25	40106060	44	1~3
40082251	6	2	40083836	54	13	40123132	12	19
40082252	6	16	40083978	8	20	40151059	20	68
40082253	6	17	40084436	8	5	40156029	44	36
40082253	18	32	40085135	4	1	40156030	18	24
40082254	20	50	40085313	38	2	40156030	44	23
40082255	50	5	40085315	38	8	40156031	44	21
40082257	50	2	40085811	44	10·11	40156032	44	22
40082259	36	1	40087129	44	7~9	40160233	30	15
40082260	36	2	40087139	44	10·11	B1210111000	48	3
40082262	38	5	40087147	44	7~9	B150880400B	2	27
40082264	38	11	40087150	44	5	B1530804000	2	33
40082265	30	8	40087153	44	6	B1628191B00	14	18
40082267	28	1	40087154	44	35	B8601WP10A0	40	28
40082272	30	1	40088052	44	12	B9102761000	40	19~21
40082273	18	16	40089241	44	7~9	B9110804000	40	19~21
40082275	8	8	40089575	44	13	BP400000000	4	18
40082276	8	19	40091283	10	67	BT0400251EB	8	23
40082277	14	22	40091284	10	68	BT0400251EB	46	11
40082278	14	23	40091285	10	69	BT0600401EB	8	24
40082279	8	16	40095143	44	4	BT0600401EB	48	13
40082280	14	1	40099620	12	1	BT0600402EA	18	10
40082280	38	1	40099627	12	6	BT0800501EB	8	25
40082337	44	17	40099628	12	7	BT1601001Z0	12	26
40082339	44	24	40099629	12	8	CM300200001	10	66
40082339	54	2	40099630	12	9	CM300200001	38	4
40082341	24	2	40099631	12	11	CM300200002	16	58
40082341	44	30	40099632	12	14	CM300200002	24	9
40082344	44	31	40099633	12	15	CM300200002	26	6
40082346	44	32	40099634	12	16	CM600100201	40	27
40082347	44	33	40099635	12	2	CS1501011TH	8	7
40082348	44	18	40099986	18	33	D2301M1YCOW	6	12
40082349	44	20	40099987	18	34	EA9500B0100	10	63
40082455	44	19	40099988	18	35	EA9500B0100	20	49
40082455	50	1	40101883	30	14	EA9500B0100	54	14
40082456	52	1	40101883	44	27	EA9500B0200	22	5
40082514	8	13	40101885	44	29	F10120030A0	12	25
40082515	8	21	40101889	44	28	F1017003000	12	20
40082516	2	38	40102015	26	1	G5014397000	6	5
40082517	2	24	40102015	44	34	G5020397000	46	1

NUMERICAL INDEX OF PARTS

PART NO	PAGE	REF NO.	PART NO	PAGE	REF NO.	PART NO	PAGE	REF NO.
G5080397000	22	2	MAT02503000	40	25	PC012406000	18	43
G51003970A0	20	52	MAT03603000A	4	21	PC012406000	32	28
G51003970A0	32	5	MAT03604000	4	4	PC012601000	22	1
G51023970A0	32	7	MAT0360500A	4	9	PC012601000	32	11
G5176136000	12	18	MAT03606000	4	8	PC015114000	32	35
G54041720A0	8	26	MAT03607000	4	10	PC015114000	48	7
G5811370000	2	39	MAT03608000	4	27	PC022801000	10	64
G5813370000	2	41	MAT036090A0	4	5	PC022801000	32	13
G5909397000A	2	37	MAT03610000	4	3	PF070501000	32	39
G5910397000	2	25	MAT04400000	4	19	PF070501000	46	10
G5912254000	24	11	MAT81163T00	14	43	PJ015105001	8	35
G5913397000	2	26	MDC270B1104	40	14	PJ020500001	4	28
G5927397000	18	8	MML018900CA	40	15	PJ020500001	18	12
G59273970A0	18	7	MTJVM003500	26	5	PJ032054001	4	29
G91011160A0	40	17	MTSP01350B0	26	4	PJ032054001	18	9
GAK01003B00	18	17	NM6030001SC	12	24	PJ046039003	18	36
GAS11154000	10	52	NM6040001SC	8	29	PJ046039003	32	30
GMC08039000	12	17	NM6040001SC	22	3	PJ230004200	18	4
GPK18020000	50	6	NM6040002SE	42	24	PJ301040501	32	41
GPK26002000	50	7	NM6050001SC	8	30	PJ301040501	46	6
GSS36020000	32	23	NM6050001SE	42	28	PJ301040506	10	57
HA005820000	30	7	NM6050002SE	14	39	PJ301040506	32	16
HA006230000	50	8	NM6060003SC	18	18	PJ301060504	32	34
HD002820010	18	23	NM6080001SC	8	31	PJ301060504	48	11
HD002820010	54	1	NM6080721SE	20	63	PJ301065103	32	24
HX00150000A	14	45	NM6100001SC	14	26	PJ301085201	20	56
HX00150000B	18	30	NM6120003SC	14	19	PJ301085201	32	3
HX00150000B	54	8	NM6160001SB	14	24	PJ303040005	18	42
HX00150000C	8	28	NM6160511SE	42	27	PJ303040005	32	29
HX00150000C	50	3	NM7060032SC	18	19	PJ304020301	18	2
HX00150000D	30	12	PA1004505A0	8	32	PJ304020301	32	46
HX00150000K	14	34	PA1004505A0	32	19	PJ304020301	54	10
HX00233000B	22	6	PA1503002A0	32	40	PJ304040504	8	36
HX00292000A	18	13	PA1503002A0	46	5	PJ304040504	32	18
HX003140000	18	28	PA2002514A0	32	36	PJ304040508	32	44
HX003140000	54	12	PA2002514A0	48	1	PJ304040508	46	9
J1043000A0A	40	19~21	PA200500100	8	33	PJ304060001	32	9
J1067000000	40	24	PA200500100	32	21	PJ304060501	10	58
J1071000000	40	18	PA900036000	32	42	PJ304060501	32	38
M6101471CA0	30	5-6	PA900036000	46	7	PJ304060501	46	13
M6101471CA0	44	15	PA900056000	32	43	PJ304060501	48	10
M6102461DAA	44	14	PA900056000	46	8	PJ304065102	32	8
MAT02106000	4	20	PB000010000	40	23	PJ304080001	8	37
MAT02111000	4	6	PC010523000	8	34	PJ304080001	32	12
MAT02502000	4	7	PC010523000	32	20	PJ304085102	10	62

NUMERICAL INDEX OF PARTS

PART NO	PAGE	REF NO.	PART NO	PAGE	REF NO.	PART NO	PAGE	REF NO.
PJ304085102	32	6	SL4051091SC	14	35	SM6061002TP	6	10
PJ305020001	32	45	SL4051091SC	18	26	SM6061002TP	8	42
PJ305020001	54	11	SL6031692TN	16	52	SM6061002TP	18	20
PJ305080001	32	22	SL6040892TN	30	4	SM6061610SC	42	17
PJ305080002	10	53	SL6051092TN	14	56	SM6062502TP	48	6
PJ305080002	32	4	SL6051092TN	16	56	SM6081202TP	8	44
PJ308060002	32	27	SL6051092TN	18	59	SM6083002TN	8	43
PJ308060003	22	7	SL6051092TN	20	59	SM6084002TN	26	2
PJ308060004	22	8	SL6051292TN	8	14	SM8030402TP	18	44
PJ309005203	20	58	SL6051492TN	8	10	SS2060510SP	4	13
PJ309005203	32	1	SL6051692TN	16	57	SS4110715SP	4	11
PJ309080004	32	10	SL6052092TN	14	32	SS4110915SP	28	2
PJ309520001	40	22	SL6053592TN	36	4	SS4120915SP	4	25
PV125109000	10	60	SL6053592TN	38	10	SS4150715SP	4	24
PV125109000	20	54	SL6061492TN	20	51	SS6060410TP	4	15
PV130540000	10	56	SL6062092TN	14	14	SS6060440TP	2	36
PV130540000	32	32	SL6062592TN	38	15	SS6080410SP	4	14
PV130540000	48	9	SL6082092TN	8	2	SS6090520SP	4	12
PV150536000	10	54	SL6084092TN	52	7	SS6090670TP	2	30
PV150536000	32	37	SL9082093SE	8	39	SS6110610TP	2	13
PV150536000	46	12	SL9082093SE	20	61	SS6111210SP	4	26
PX500003000	48	2	SM0050801SC	16	55	SS7060310SP	4	16
PX950001000	32	26	SM0051601SC	14	10	SS7060610SP	2	31
PX950005000	4	30	SM1030501SC	18	38	SS7080520SP	2	28
PX950005000	18	11	SM1030501SC	54	6	SS7080520SP	4	23
RE0600000K0	6	14	SM1030601SC	6	13	SS7090710SP	2	7
SK3271301SE	14	7	SM1031401SC	12	21	SS7090850SP	2	18
SK3412000SE	14	48	SM1041201SC	8	40	SS7110570SP	18	47
SK3412000SE	16	48	SM4040655SN	30	11	SS7110570SP	54	4
SK3483201SE	30	17	SM4041001SC	42	20	SS7110720SP	2	3
SK3552000SC	52	3	SM4041201SC	42	22	SS7110840SP	18	41
SL4030591SC	18	29	SM4041655SP	12	3	SS7151120SP	2	4
SL4030591SC	54	15	SM4042001SC	42	23	SS8660530TP	8	45
SL4040891SC	10	61	SM4050855SP	12	10	SS9111010SP	2	5
SL4040891SC	20	55	SM4051255SP	12	12	SS9151120CP	48	5
SL4040891SC	24	7	SM4051405SE	42	18	ST4041451SN	24	5
SL4040891SC	46	14	SM5030455SN	18	39	ST9053511SR	14	3
SL4040891SC	48	12	SM6030402TP	18	37	ST9053511SR	38	3
SL4040891SC	50	4	SM6030602TN	18	45	ST9053511SR	52	6
SL4040891SC	54	9	SM6040802TP	6	9	WP0250516SD	2	34
SL4041081SF	8	38	SM6050802TR	8	41	WP0250516SD	4	17
SL4041091SC	14	46	SM6051002TP	46	2	WP0320500SC	12	22
SL4041091SC	30	13	SM6051400SP	36	6	WP0320500SC	18	46
SL4042591SC	24	4	SM6051600SP	20	65	WP0410846SC	8	46
SL4043091SC	20	53	SM6054502TN	14	40	WP0430800SC	8	47

NUMERICAL INDEX OF PARTS

PART NO	PAGE	REF NO.
WP0430800SC	24	8
WP0430800SD	6	11
WP0430801SC	12	4
WP0430801SE	24	10
WP0450826SC	16	49
WP0450826SC	22	4
WP0450826SC	52	4
WP0480856SP	30	16
WP0501016SD	28	3
WP0502616SD	28	4
WP0550800SP	46	3
WP0551626SD	36	5
WP0551626SD	38	9
WP0561616SC	14	9
WP0641600SC	10	65
WP0641600SC	14	41
WP0641600SC	18	22
WP0641600SC	48	8
WP0641601SC	10	48
WP0720316RZ	6	18
WP0841600SE	14	37
WP0841601SC	8	49
WP0841601SC	10	49
WP0841601SC	26	3
WP0851846SC	8	27
WP0871602SE	20	62
WP1052000SC	14	27
WP1302501SC	14	20
WP1612616SE	42	25
WP1703001SC	14	25
WS0310002KN	12	23
WS0410002KN	10	50
WS0510002KN	14	42
WS0510002KN	42	29
WS0510002KP	46	4
WS0610002KN	10	51
WS0610002KN	18	21
WS1253010KN	14	21
WS1643202KR	42	26