

MODEL : MO-6800S

List No : 1672-02

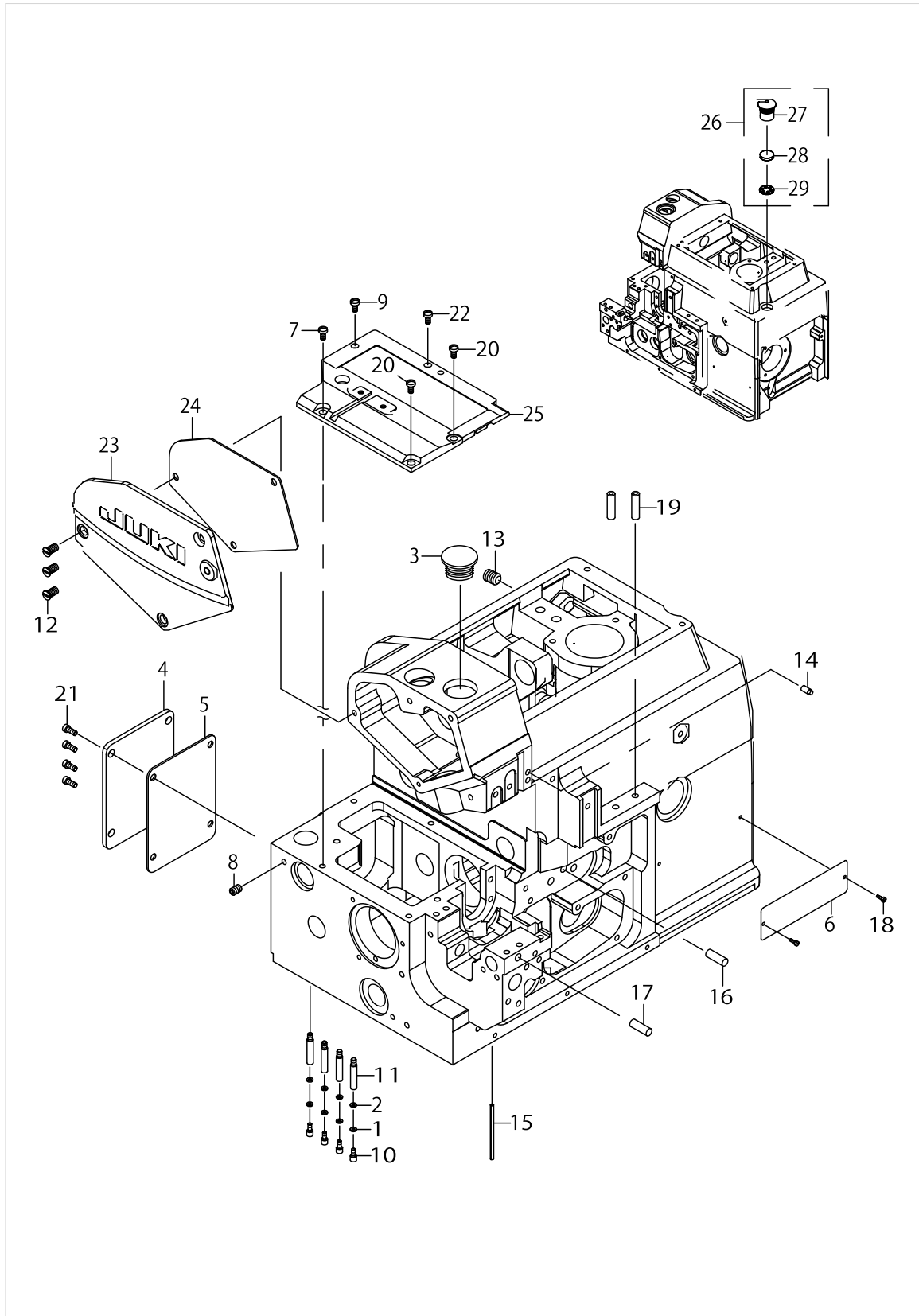
PARTS LIST

Published:11/21/2017

CONTENTS

MISCELLANEOUS COVER COMPONENTS (1).....	1
MISCELLANEOUS COVER COMPONENTS (2).....	3
MISCELLANEOUS COVER COMPONENTS (3).....	5
CRANKSHAFT COMPONENTS	7
NEEDLE DRIVING SHAFT COMPONENTS	11
THREAD TENSION COMPONENTS	13
UPPER LOOPER COMPONENTS	19
LOWER LOOPER COMPONENTS	23
CHAIN LOOPER COMPONENTS (1).....	25
CHAIN LOOPER COMPONENTS (2).....	27
FEED MECHANISM COMPONENTS (1).....	29
FEED MECHANISM COMPONENTS (2).....	33
KNIFE COMPONENTS.....	37
PRESSER FOOT COMPONENTS.....	39
LUBRICATION MECHANISM COMPONENTS.....	43
NEEDLE COOLER UNIT COMPONENTS.....	47
THREAD STAND COMPONENTS (FOR MO-6804S).....	49
THREAD STAND COMPONENTS (FOR MO-6814S).....	51
THREAD STAND COMPONENTS (FOR MO-6816S).....	53
THREAD STAND COMPONENTS (FOR MO-6843S).....	55
SEMI-SUNKEN TYPE TABLE COMPONENTS.....	57
FULLY-SUNKEN TYPE TABLE COMPONENTS.....	59
ACCESSORIES PARTS COMPONENTS	61
PACKING COMPONENTS.....	63
TAPE INSERTION COMPONENTS	65
30P COMPONENTS.....	67
60H COMPONENTS.....	69
MO-6800S GAUGE TABLE	73
LIST FOR INFORMATION OF CHANGE (1).....	81
LIST FOR INFORMATION OF CHANGE (2).....	82
HOW TO MAKE USE OF THIS PARTS LIST	

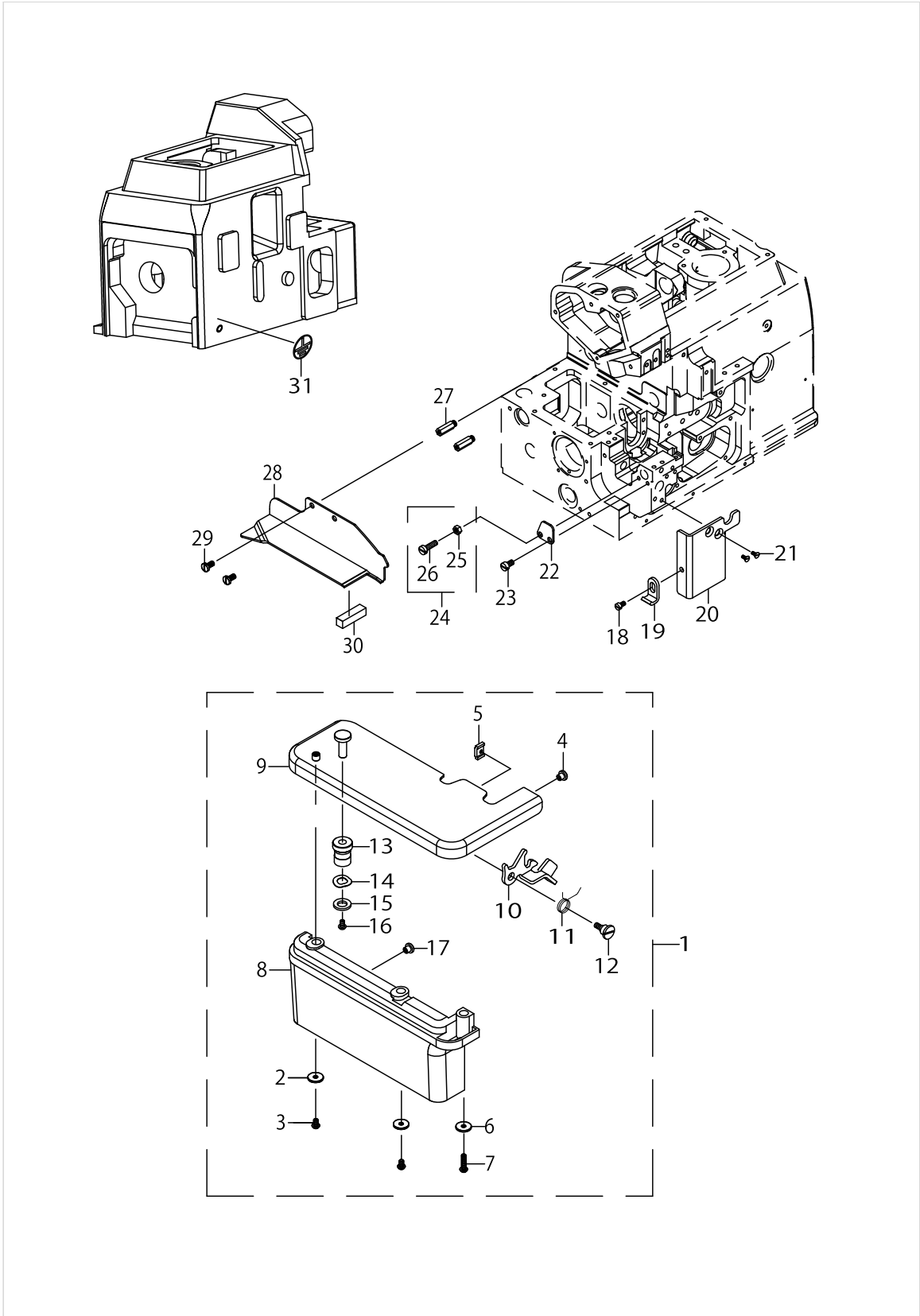
MISCELLANEOUS COVER COMPONENTS (1)



MISCELLANEOUS COVER COMPONENTS (1)

No.	Parts No.	Parts name	Remarks	Level	Cons	Qty
1	70000363	WASHER				4
2	70000365	WASHER				4
3	40159534	RUBBER PLUG				1
4	40172525	COVER				1
5	70000443	METAL FOAM GASKET				1
6	*****	NAME PLATE				1
7	70000515	E_SCREW				1
8	70000522	E_SCREW				1
9	70000529	E_SCREW				1
10	70000543	E_SCREW				4
11	70000544	E_SCREW				4
12	70000550	E_SCREW				3
13	70000586	M_SCREW				1
14	70000659	PIN				1
15	70000670	PIN				1
16	70000671	PIN				1
17	70000672	PIN				1
18	70000753	RIVET				2
19	70000754	DUCT				2
20	70000515	E_SCREW				2
21	70000515	E_SCREW				4
22	70000529	E_SCREW				1
23	40159531	SIDE COVER				1
24	40159532	METAL FOAM GASKET				1
25	40159533	COVER				1
26	40159537	RUBBER PLUG COMB.				1
27	40159538	RUBBER PLUG		*		1
28	40159539	FELT		*		1
29	40159540	RUBBER PLUG COVER		*		1

MISCELLANEOUS COVER COMPONENTS (2)

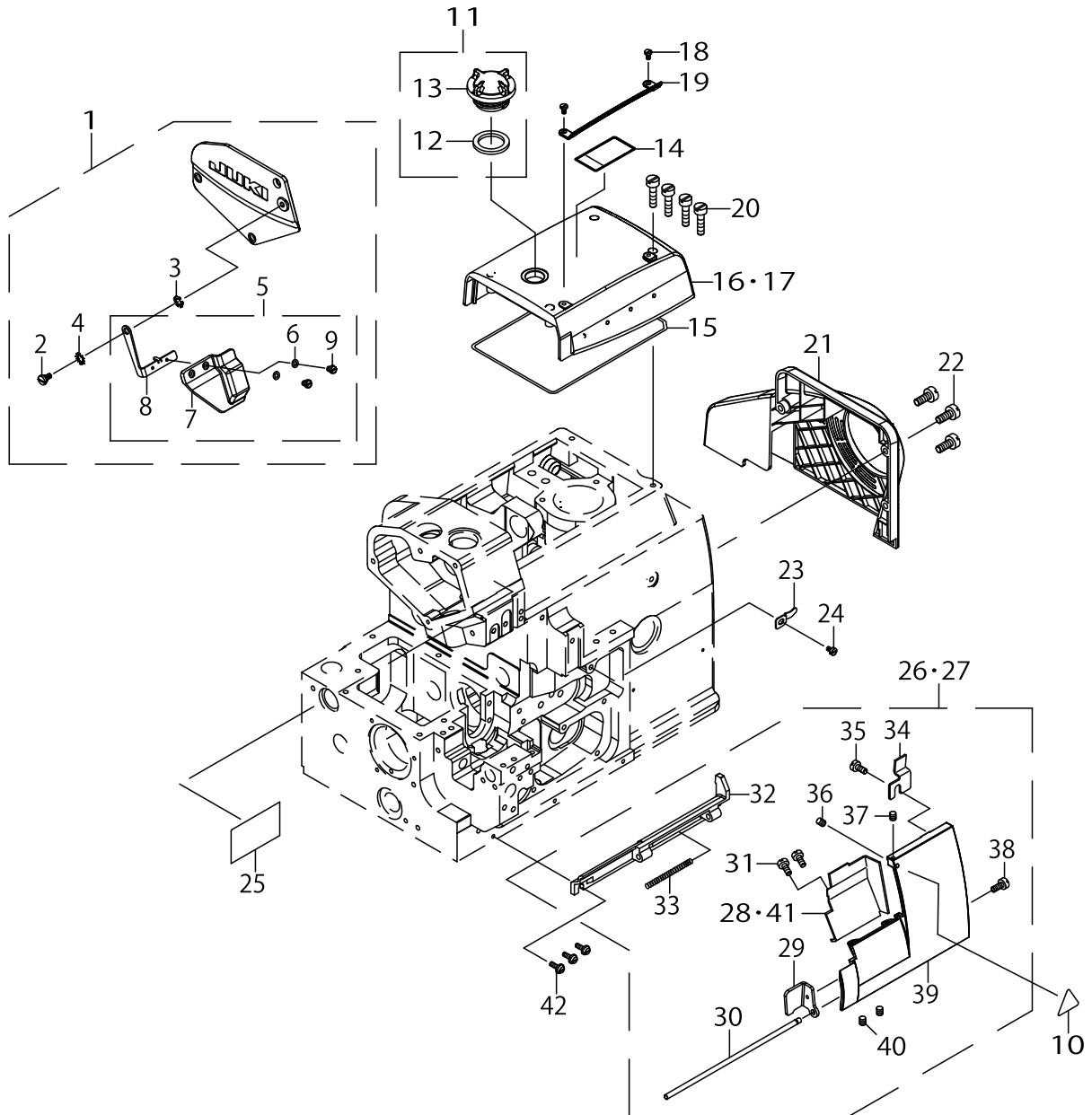


MISCELLANEOUS COVER COMPONENTS (2)

No.	Parts No.	Parts name	Remarks	Level	Cons	Qty
1	40159557	FABRIC PLATE COVER COMB.				1
2	70000368	WASHER		*		2
3	70000574	M_SCREW		*		2
4	70000490	RUBBER PLUG		*		1
5	70000334	FIXED SEAT		*		1
6	40159562	WASHER		*		1
7	40159563	M_SCREW		*		1
8	40159556	SIDE COVER		*		1
9	40159555	FABRIC PLATE COVER		*		1
10	40159564	LEVER		*		1
11	40159565	SPRING		*		1
12	70000528	E_SCREW		*		1
13	40159558	BUSHING		*		1
14	40159559	WASHER		*		1
15	40159560	WASHER		*		1
16	70000577	M_SCREW		*		1
17	40159561	RUBBER PLUG		*		1
18	40159552	M_SCREW				1
19	40159553	GUIDE PLATE				1
20	40159554	OILER COVER				1
21	70000516	E_SCREW				2
22	70000404	FIXED PLATE				1
23	70000518	E_SCREW				1
24	70000453	NUT				1
25	70000452	NUT		*		1
26	70000563	E_SCREW		*		1
27	70000494	SCREW				2
28	70000493	FABRIC GUIDE				1
29	70000515	E_SCREW				2
30	70000755	SPONGY CUSHION				1
31	40159551	LABEL_(GROUND_MARK)				1

MISCELLANEOUS COVER COMPONENTS (3)

MODEL	04S/14S	16S/43S
PARTS NO	28	41
	26	27

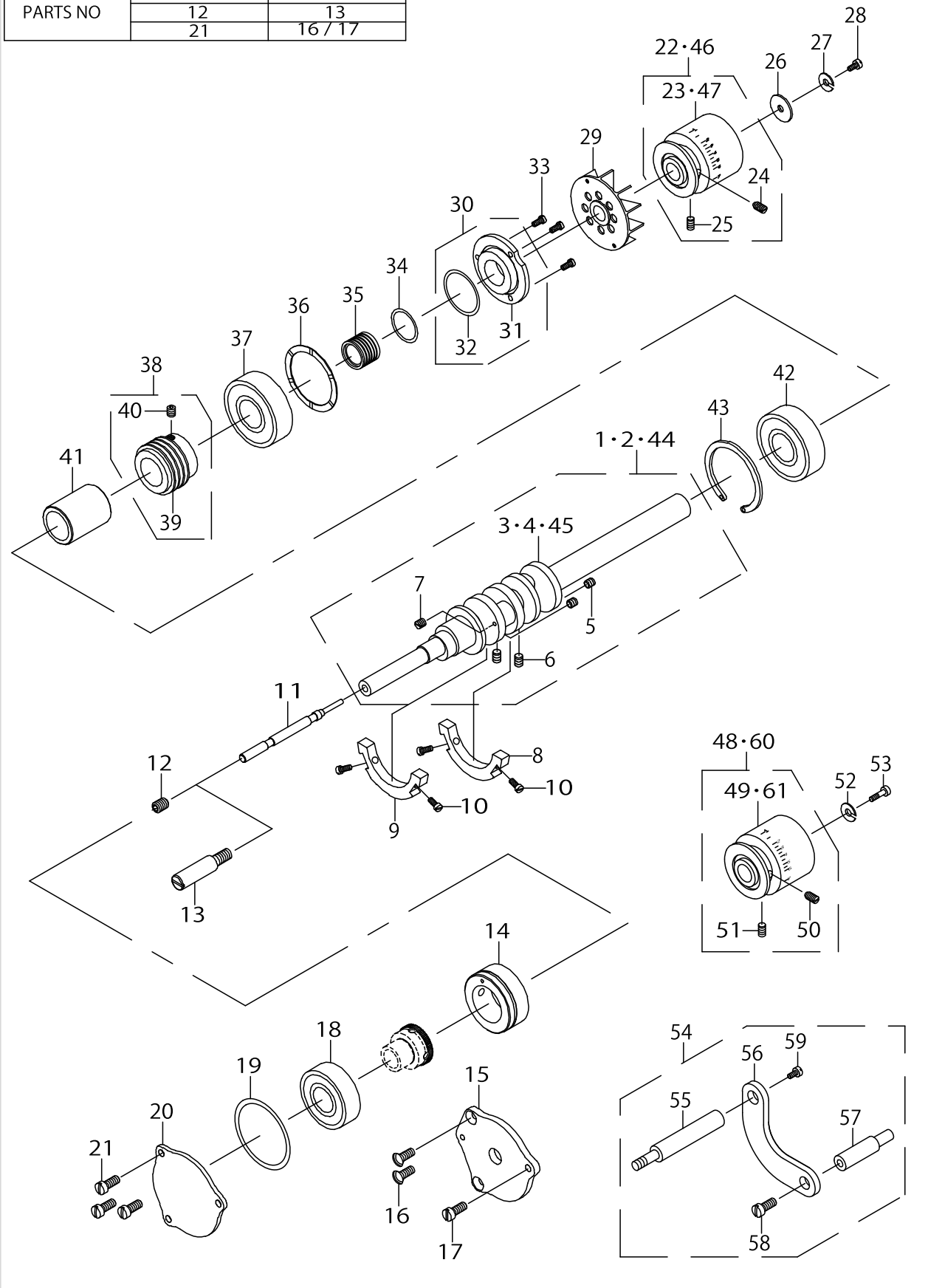


MISCELLANEOUS COVER COMPONENTS (3)

No.	Parts No.	Parts name	Remarks	Level	Cons	Qty
1	40159571	SIDE COVER				1
2	40159573	M_SCREW		*		1
3	40159572	WASHER		*		1
4	40159572	WASHER		*		1
5	40159577	SAFETY PLATE COMB.		*		1
6	40159576	WASHER		*		2
7	40159575	SAFETY PLATE		*		1
8	40159574	SAFETY PLATE BRACKET		*		1
9	70000908	M_SCREW		*		2
10	70000736	LABEL				1
11	40159579	OIL LEVEL INSPECTION LENS COMB.				1
12	70000136	GASKET		*		1
13	40159578	OIL LEVEL INSPECTION LENS		*		1
14	70000161	LABEL				1
15	70000222	O-RING				1
16	40159582	TOP COVER				1
17	40159583	TOP COVER (43 SIZE)	FOR 43S			1
18	40159580	E_SCREW				2
19	40159581	THREAD GUIDE PLATE				1
20	70000563	E_SCREW				4
21	40159584	MOTOR COVER				1
22	70000520	E_SCREW				3
23	70000745	GUIDE PLATE				1
24	70000555	E_SCREW				1
25	*****	EMBLEM				1
26	40159585	FRONT COVER COMB.	FOR 04S,14S			1
27	40159593	FRONT COVER COMB.	FOR 16S,43S			1
28	70000481	FRONT COVER	FOR 04S,14S	*		1
29	70000660	PIN		*		1
30	40159590	SHAFT		*		1
31	70000577	M_SCREW		*		2
32	40159586	FIXED SEAT		*		1
33	40159587	SPRING		*		1
34	70000744	RETAINING CLIP		*		1
35	70000577	M_SCREW		*		1
36	70000570	M_SCREW		*		1
37	70000569	M_SCREW		*		1
38	40159591	E_SCREW		*		1
39	40159592	FRONT COVER		*		1
40	70000573	M_SCREW		*		2
41	70000820	FRONT COVER	FOR 16S,43S			1
42	40159589	E_SCREW				3

CRANKSHAFT COMPONENTS

MODEL	04S/14S	16S/43S
PARTS NO	20	15
	12	13
	21	16 / 17

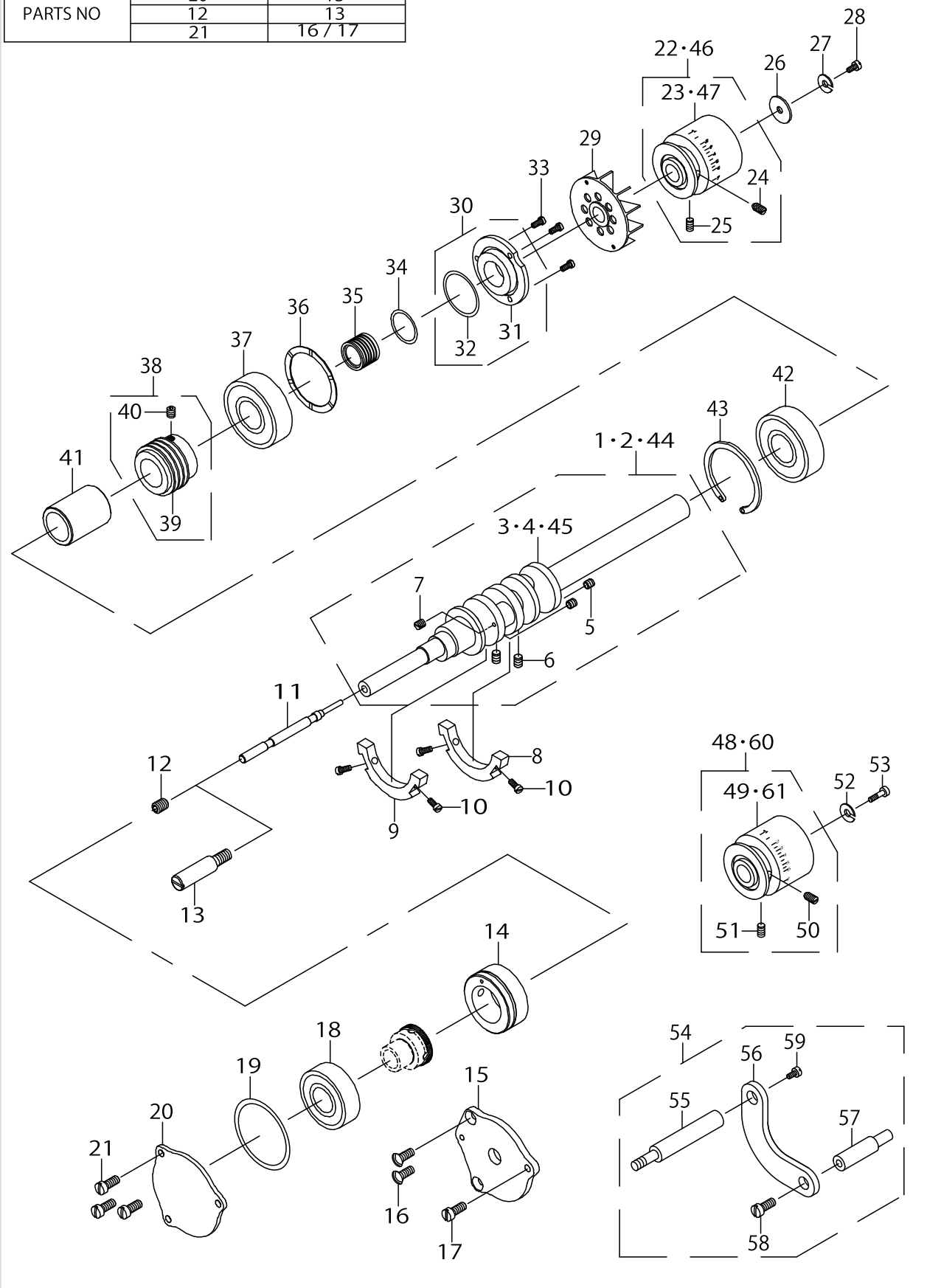


CRANKSHAFT COMPONENTS

No.	Parts No.	Parts name	Remarks	Level	Cons	Qty
1	40159606	MAIN SHAFT COMB.				1
2	40159607	MAIN SHAFT COMB. (HIGH TYPE)	FOR 14S-40H,14S-44H,16S-50H			1
3	40159604	MAIN SHAFT		*		1
4	40159605	MAIN SHAFT (HIGH TYPE)	FOR 14S-40H,14S-44H,16S-50H	*		1
5	70000565	E_SCREW		*		2
6	70000564	E_SCREW		*		2
7	70000565	E_SCREW		*		1
8	70000619	BALANCE BLOCK				1
9	70000620	BALANCE BLOCK				1
10	70000535	E_SCREW				4
11	70000737	SHAFT				1
12	40159608	M_SCREW	FOR 04S,14S			1
13	70000460	FASTENER PIN	FOR 16S,43S			1
14	70000130	BUSHING				1
15	70000701	BEARING COVER	FOR 16S,43S			1
16	70000554	E_SCREW	FOR 16S,43S			2
17	70000562	E_SCREW	FOR 16S,43S			1
18	70000694	BEARING				1
19	70000145	O-RING				1
20	70000700	BEARING COVER	FOR 04S,14S			1
21	70000508	E_SCREW	FOR 04S,14S			3
22	40159602	HAND WHEEL COMB.				1
23	40159601	HAND WHEEL		*		1
24	70000536	E_SCREW		*		1
25	70000546	E_SCREW		*		1
26	70000341	GASKET				1
27	70000612	WASHER				1
28	40159603	M_SCREW				1
29	70000750	FAN BLADE				1
30	70000431	SIDE COVER COMB.				1
31	70000430	SIDE COVER		*		1
32	70000145	O-RING		*		1
33	70000521	E_SCREW				3
34	70000143	O-RING				1
35	70000149	WORM WHEEL				1
36	70000699	WASHER				1
37	70000695	BEARING				1
38	70000259	WORM WHEEL				1
39	70000257	WORM WHEEL		*		1
40	70000522	E_SCREW		*		1
41	70000314	SHAFT				1
42	70000696	BEARING				1
43	70000449	STOP RING				1
44	40164012	MAIN SHAFT COMB.(30P)	FOR 30P			1
45	40164011	MAIN SHAFT (30P)	FOR 30P	*		1
46	40164057	HAND WHEEL COMB.(30P)	FOR 30P			1
47	40164058	HAND WHEEL (30P)	FOR 30P	*		1

CRANKSHAFT COMPONENTS

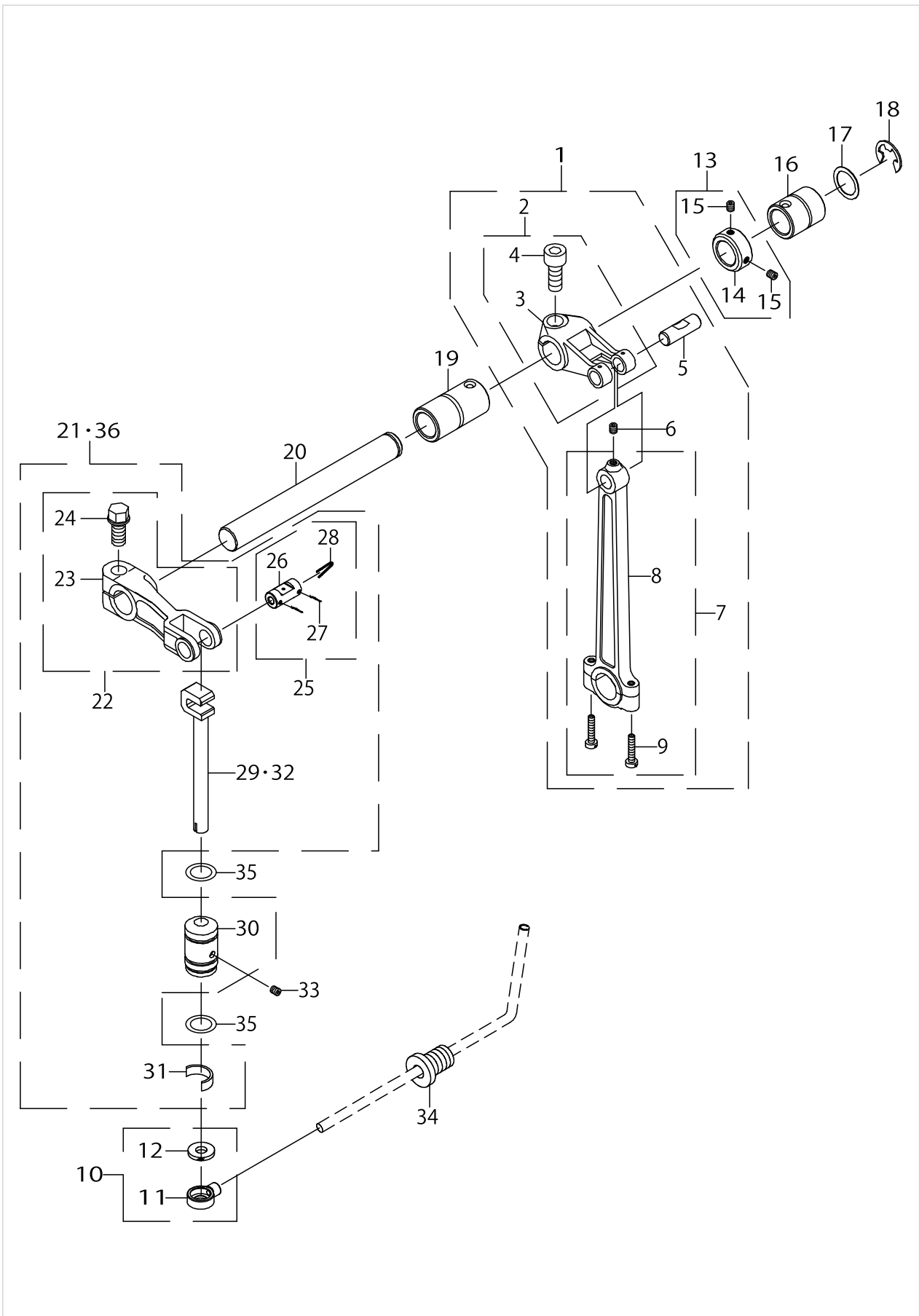
MODEL	04S/14S	16S/43S
PARTS NO	20	15
	12	13
	21	16 / 17



CRANKSHAFT COMPONENTS

No.	Parts No.	Parts name	Remarks	Level	Cons	Qty
48	40159660	HAND WHEEL COMB.(SYNCHRO)	OPTIONAL PARTS			1
49	40159659	HAND WHEEL (SYNCHRO)		*		1
50	70000536	E_SCREW		*		1
51	70000546	E_SCREW		*		1
52	70000612	WASHER	OPTIONAL PARTS			1
53	70000928	M_SCREW	OPTIONAL PARTS			1
54	40170846	SYNCHRONIZER_STOPPER_ASM	OPTIONAL PARTS			1
55	40170847	SYNCHRONIZER_BASE_STUD		*		1
56	40170848	SYNCHRONIZER_STOPPER_BASE		*		1
57	40022255	SYNCHRONIZER STOPPER		*		1
58	SS6120940SP	SCREW 3/16-28 L=9		*		1
59	SS6111010TP	SCREW 11/64-40 L= 9.5		*		1
60	40164010	HAND WHEEL COMB.(30P_SYNCHRO)	OPTIONAL PARTS			1
61	40164059	HAND WHEEL (30P_SYNCHRO)		*		1

NEEDLE DRIVING SHAFT COMPONENTS

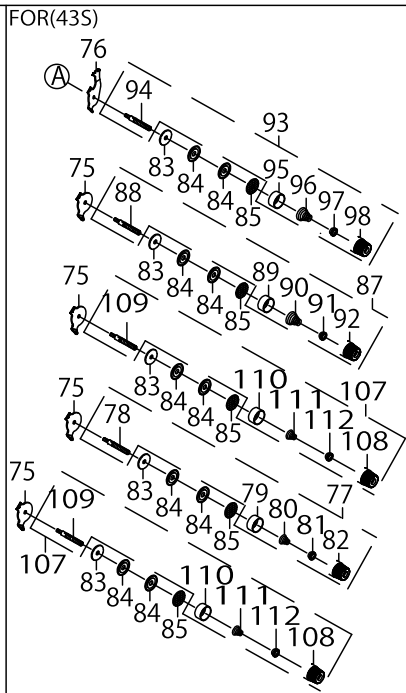
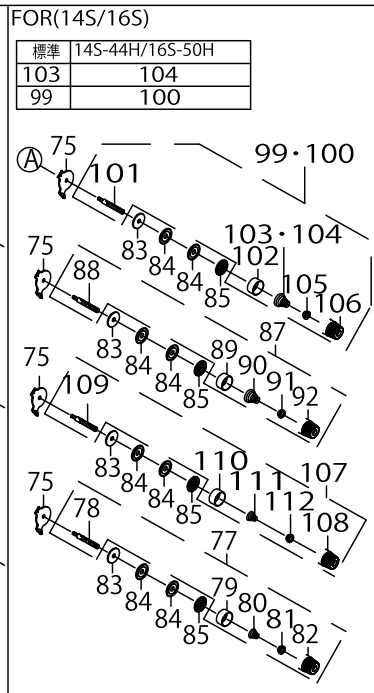
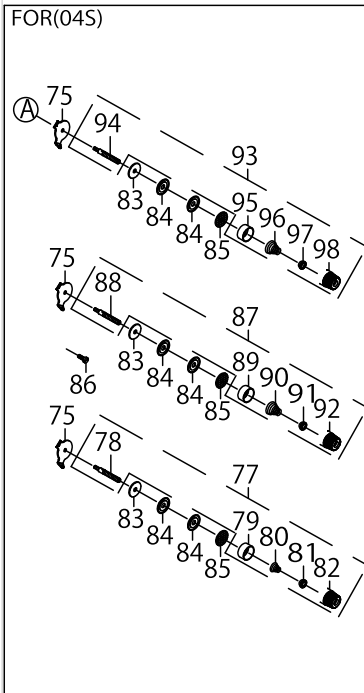
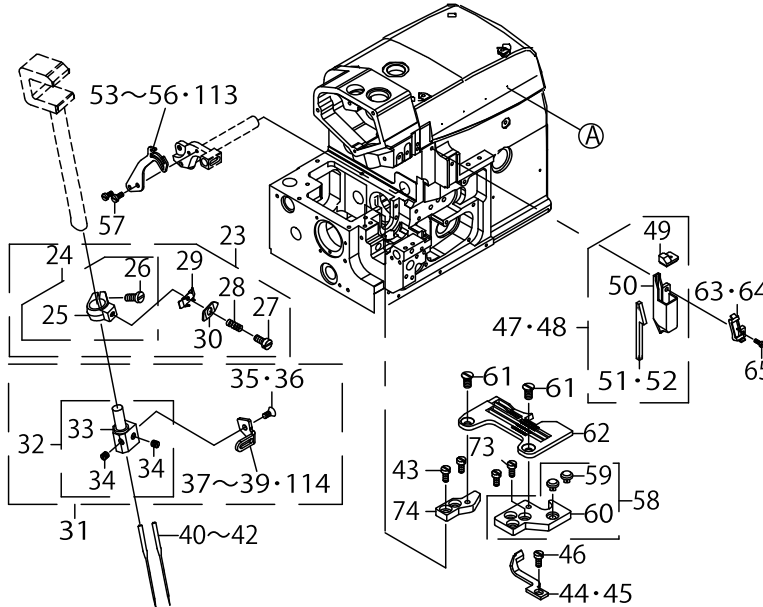
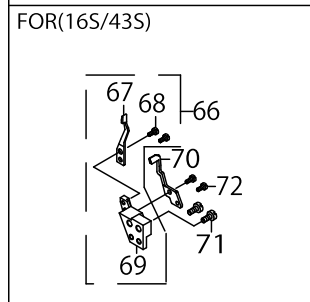
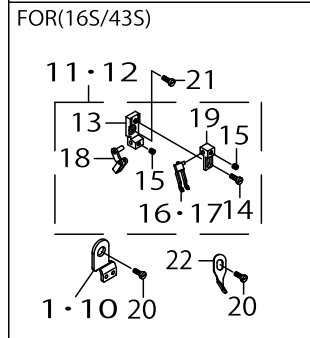
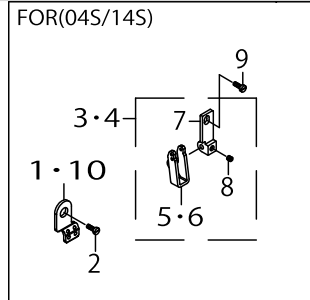


NEEDLE DRIVING SHAFT COMPONENTS

No.	Parts No.	Parts name	Remarks	Level	Cons	Qty
1	40159615	SHAFT COMB.				1
2	70000643	SHAFT		*		1
3	70000640	NEEDLE BAR ROCKER		*		1
4	70000588	M_SCREW		*		1
5	70000646	PIN		*		1
6	70000522	E_SCREW		*		1
7	40159618	CONNECTING ROD COMB.		*		1
8	40159617	CONNECTING ROD		*		1
9	70000578	M_SCREW		*		2
10	70000267	OIL FELT				1
11	70000266	PLUG		*		1
12	70000677	OIL FELT		*		1
13	70000437	COLLAR				1
14	70000432	COLLAR		*		1
15	70000522	E_SCREW		*		2
16	70000637	BUSHING				1
17	70000362	WASHER				1
18	70000134	E_CIRCLIPS				1
19	70000639	BUSHING				1
20	70000635	ARBOR				1
21	40159619	NEEDLE BAR COMB.				1
22	70000633	CONNECTING ROD COMB.		*		1
23	70000632	CONNECTING ROD		*		1
24	70000593	M_SCREW		*		1
25	70000638	SHAFT COMB.		*		1
26	70000636	SHAFT		*		1
27	70000728	OIL YARN		*		2
28	70000729	OIL WICK		*		1
29	70000654	NEEDLE BAR		*		1
30	40159620	BUSHING		*		1
31	70000676	OIL FELT		*		1
32	40159658	NEEDLE BAR (44H)	FOR 14S-44H	*		1
33	70000503	E_SCREW				1
34	70000445	PLUG				1
35	70000141	O-RING				2
36	40159623	NEEDLE BAR COMB.(44H)	FOR 14S-44H			1

THREAD TENSION COMPONENTS

MODEL	04S	14S	16S	43S	14S-30P
PARTS NO	10	1	10	1	113
	5	6	16	17	
	54	53	55	56	
	51	51	52	52	
	63	63	64	64	
	44	44	45	45	
	38	37	114	39	
	8	8	15	15	
	2	2	20	20	
	9	9	21	21	
			14	14	
	35	35	36	36	
	3	4	11	12	
	47	47	48	48	

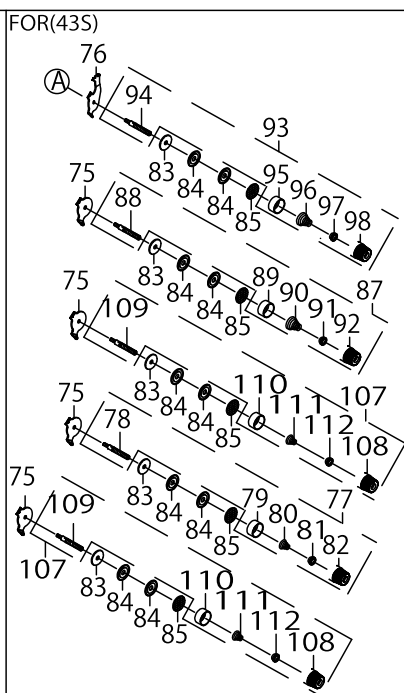
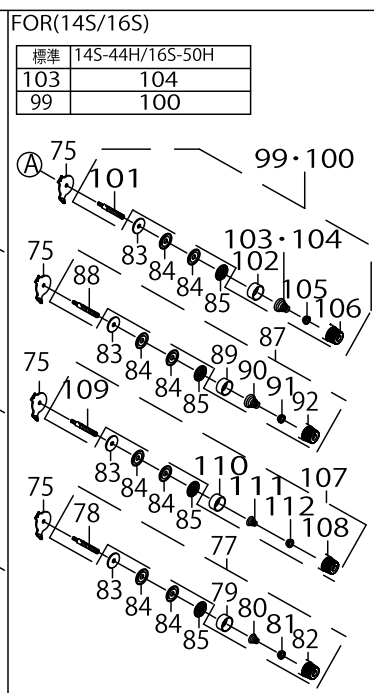
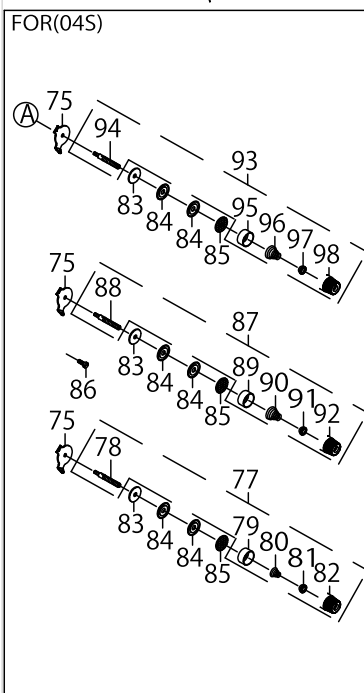
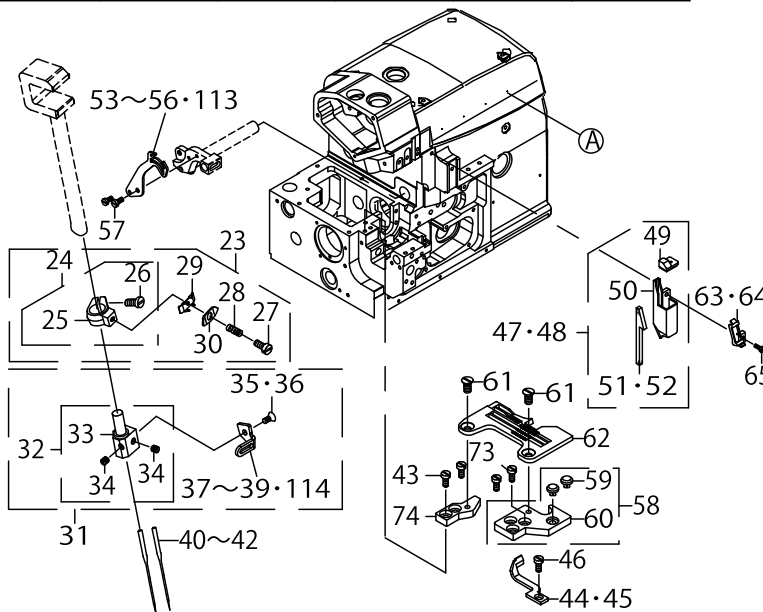
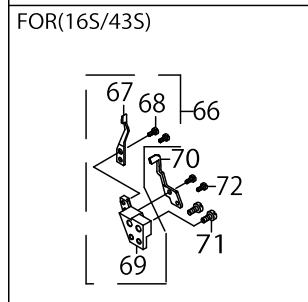
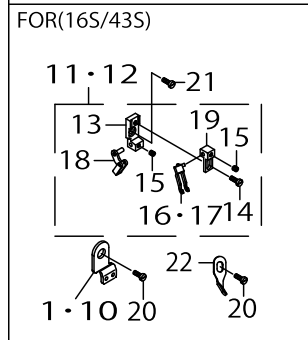
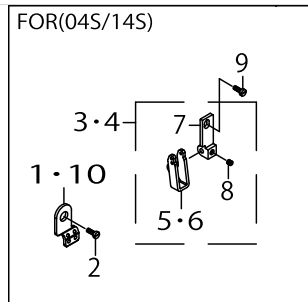


THREAD TENSION COMPONENTS

No.	Parts No.	Parts name	Remarks	Level	Cons	Qty
1	40159645	THREAD GUIDE PLATE	FOR 14S,43S			1
2	70000513	E_SCREW	FOR 04S,14S			1
3	70000173	FIXED PLATE COMB.	FOR 04S			1
4	70000832	FIXED PLATE COMB.	FOR 14S			1
5	70000822	THREAD GUIDE PLATE	FOR 04S	*		1
6	40159650	THREAD GUIDE PLATE	FOR 14S	*		1
7	70000164	FIXED PLATE		*		1
8	70000498	E_SCREW	FOR 04S,14S	*		1
9	70000549	E_SCREW	FOR 04S,14S			1
10	40159646	THREAD GUIDE PLATE	FOR 04S,16S			1
11	70000174	FIXED PLATE COMB.	FOR 16S			1
12	70000833	FIXED SEAT COMB.	FOR 43S			1
13	70000171	FIXED SEAT		*		1
14	70000559	E_SCREW	FOR 16S,43S	*		1
15	70000498	E_SCREW	FOR 16S,43S	*		2
16	40159647	THREAD GUIDE PLATE	FOR 16S	*		1
17	40159651	THREAD GUIDE PLATE	FOR 43S	*		1
18	40159648	THREAD GUIDE PLATE		*		1
19	70000169	FIXED BLOCK		*		1
20	70000513	E_SCREW	FOR 16S,43S			2
21	70000555	E_SCREW	FOR 16S,43S			1
22	70000168	THREAD GUIDE PLATE				1
23	70000629	CATCHER				1
24	70000653	CRAMP		*		1
25	70000652	CRAMP		*		1
26	70000572	M_SCREW		*		1
27	40159629	M_SCREW		*		1
28	70000598	SPRING		*		1
29	70000626	THREAD GRIP		*		1
30	70000627	THREAD GRIP		*		1
31	*****	NEEDLE CLAMP	REFER "MO-6800S GAUGE TABLE			1
32	*****	NEEDLE CLAMP	REFER "MO-6800S GAUGE TABLE	*		1
33	*****	NEEDLE CLAMP	REFER "MO-6800S GAUGE TABLE	*		1
34	70000498	E_SCREW		*		2
35	70000567	M_SCREW	FOR 04S,14S	*		1
36	70000831	M_SCREW	FOR 16S,43S	*		1
37	70000628	THREAD CROSSING	FOR 14S	*		1
38	70000828	THREAD CROSSING	FOR 04S	*		1
39	70000829	THREAD CROSSING	FOR 43S	*		1
40	*****	NEEDLE	REFER "MO-6800S GAUGE TABLE			2
41	*****	NEEDLE	REFER "MO-6800S GAUGE TABLE			1
42	*****	NEEDLE	REFER "MO-6800S GAUGE TABLE			3
43	70000550	E_SCREW				2
44	70000469	NEEDLE GUARD	FOR 04S,14S			1

THREAD TENSION COMPONENTS

MODEL	04S	14S	16S	43S	14S-30P
PARTS NO	10	1	10	1	113
	5	6	16	17	
	54	53	55	56	
	51	51	52	52	
	63	63	64	64	
	44	44	45	45	
	38	37	114	39	
	8	8	15	15	
	2	2	20	20	
	9	9	21	21	
			14	14	
	35	35	36	36	
	3	4	11	12	
	47	47	48	48	

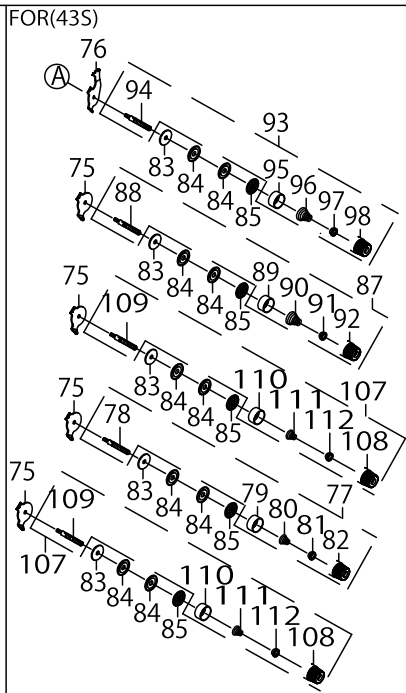
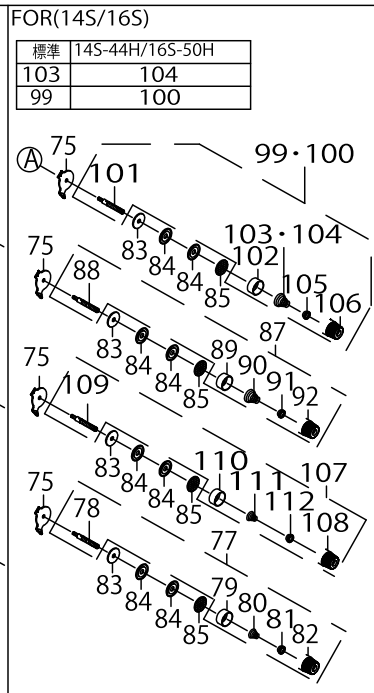
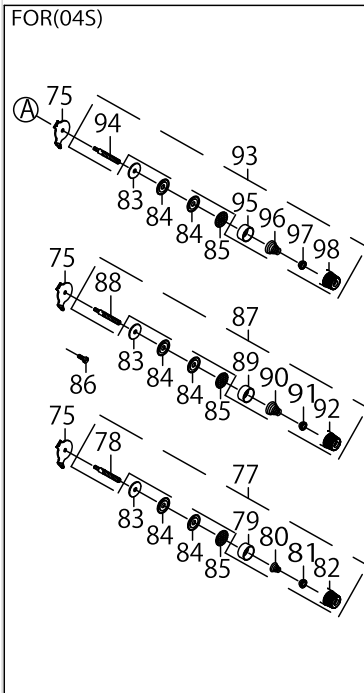
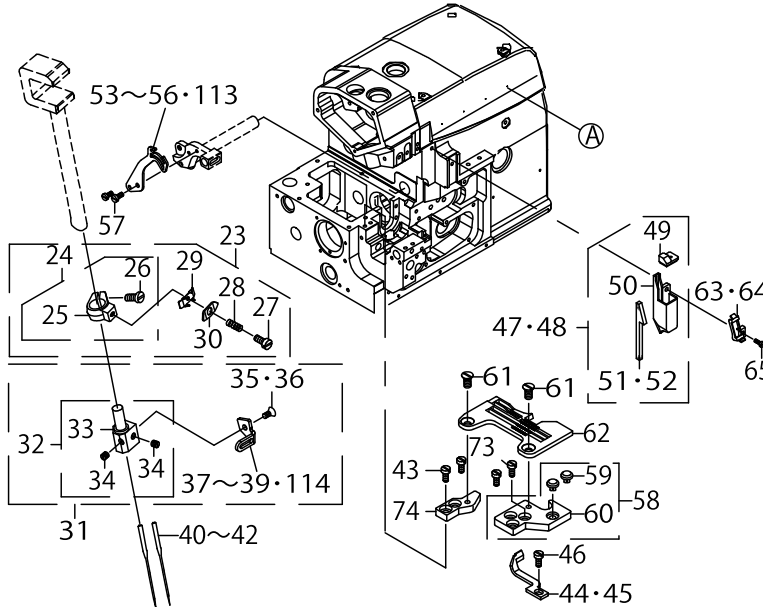
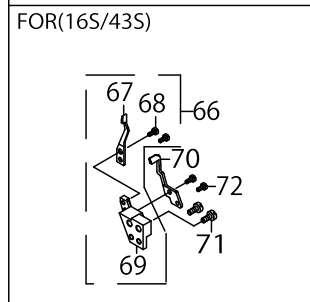
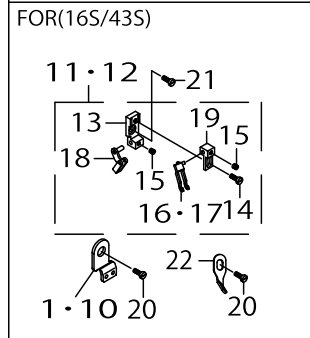
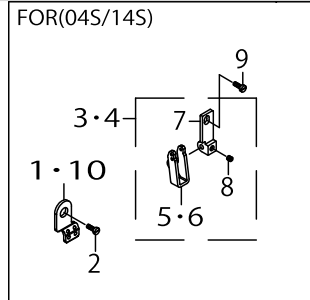


THREAD TENSION COMPONENTS

No.	Parts No.	Parts name	Remarks	Level	Cons	Qty
45	7000827	NEEDLE GUARD	FOR 16S,43S			1
46	7000555	E_SCREW				1
47	7000887	OILER	FOR 04S,14S			1
48	40159652	OILER	FOR 16S,43S			1
49	7000849	OILER COVER		*		1
50	7000847	OILER		*		1
51	7000848	OIL FELT	FOR 04S,14S	*		1
52	7000885	OIL FELT	FOR 16S,43S	*		1
53	40159630	THREAD TAKE-UP LEVER	FOR 14S			1
54	40159653	THREAD TAKE-UP LEVER	FOR 04S			1
55	40159654	THREAD TAKE-UP LEVER	FOR 16S			1
56	40159655	THREAD TAKE-UP LEVER	FOR 43S			1
57	7000505	E_SCREW				2
58	40159628	NEEDLE PLATE BRACKET COMB.				1
59	7000704	RUBBER PLUG		*		2
60	40159626	NEEDLE PLATE BRACKET		*		1
61	7000516	E_SCREW				2
62	*****	THROAT PLATE	REFER "MO-6800S GAUGE TABLE			1
63	7000850	THREAD GUIDE PLATE	FOR 04S,14S			1
64	40159649	THREAD GUIDE PLATE	FOR 16S,43S			1
65	40159625	E_SCREW				1
66	7000337	FIXED SEAT COMB.				1
67	7000336	NEEDLE GUARD		*		1
68	7000497	E_SCREW		*		2
69	7000630	NEEDLE GUARD		*		1
70	7000335	NEEDLE GUARD				1
71	7000526	E_SCREW				2
72	7000497	E_SCREW				2
73	7000550	E_SCREW				2
74	40159627	NEEDLE PLATE BRACKET				1
75	40159631	THREAD GUIDE PLATE				11
76	40159644	THREAD GUIDE PLATE				1
77	40159640	THREAD TENSION COMB.(R)				3
78	40159632	THREAD TENSION SHAFT		*		1
79	40159634	SLEEVE		*		1
80	7000211	SPRING		*		1
81	40159636	FIXED RING		*		1
82	40178548	THREAD TENSION KNOB.(R)		*		1
83	40159633	THREAD TENSION RUBBER WASHER				12
84	7000203	THREAD GRIP				24
85	7000213	OIL FELT				12
86	7000513	E_SCREW				1
87	40159641	THREAD TENSION COMB.(Y)				3
88	40159632	THREAD TENSION SHAFT		*		1
89	40159634	SLEEVE		*		1
90	40159624	SPRING		*		1

THREAD TENSION COMPONENTS

MODEL	04S	14S	16S	43S	14S-30P
PARTS NO	10	1	10	1	113
	5	6	16	17	
	54	53	55	56	
	51	51	52	52	
	63	63	64	64	
	44	44	45	45	
	38	37	114	39	
	8	8	15	15	
	2	2	20	20	
	9	9	21	21	
			14	14	
	35	35	36	36	
	3	4	11	12	
	47	47	48	48	

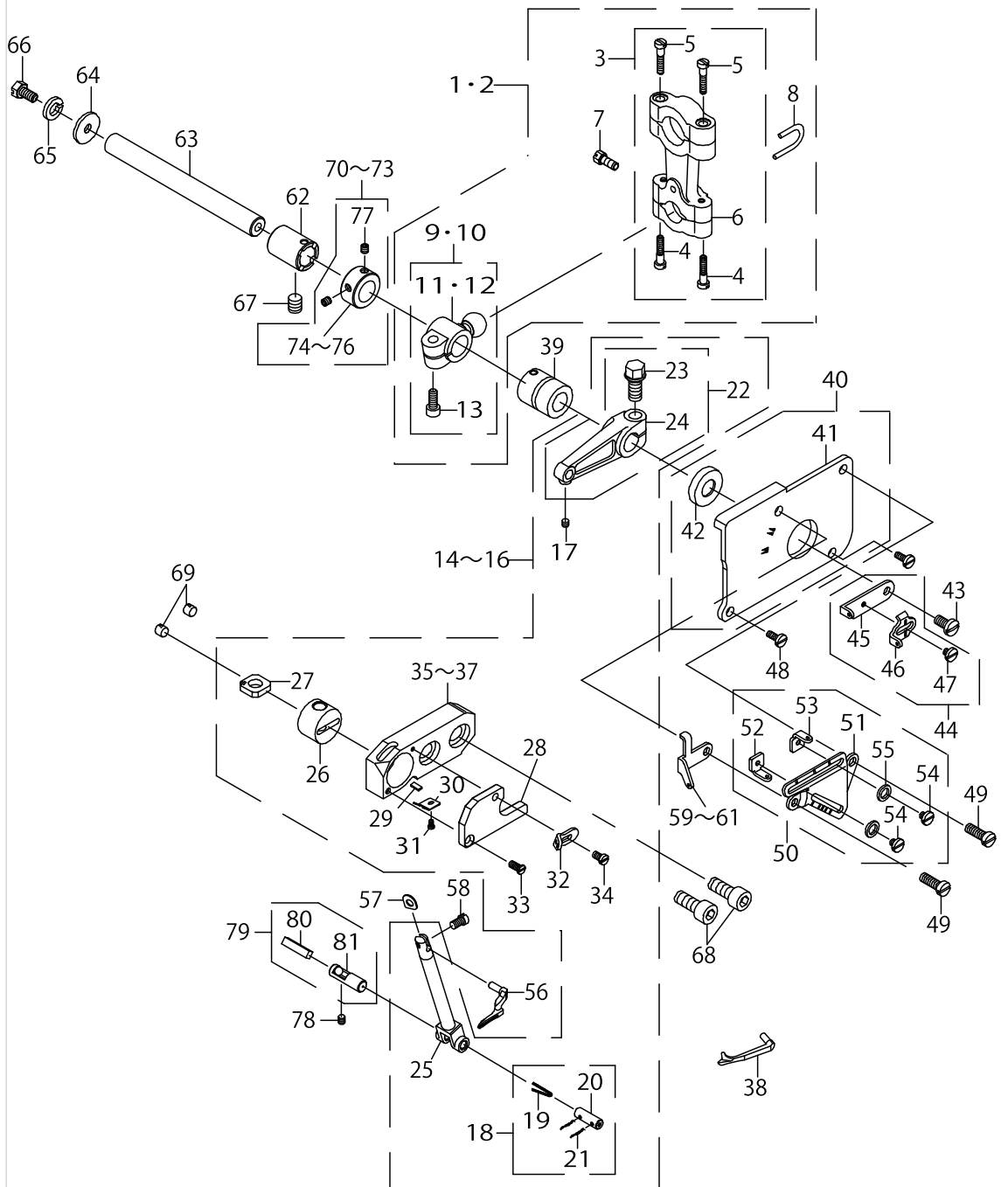


THREAD TENSION COMPONENTS

No.	Parts No.	Parts name	Remarks	Level	Cons	Qty
91	40159636	FIXED RING		*		1
92	40178550	THREAD TENSION KNOB.(Y)		*		1
93	40159642	THREAD TENSION COMB.				2
94	40159632	THREAD TENSION SHAFT		*		1
95	40159634	SLEEVE		*		1
96	40159624	SPRING		*		1
97	40159636	FIXED RING		*		1
98	40178549	THREAD TENSION KNOB.(G)		*		1
99	40159642	THREAD TENSION COMB.(G)				1
100	40159656	THREAD TENSION COMB.(G1)	FOR 14S-44H,16S-50H			1
101	40159632	THREAD TENSION SHAFT		*		1
102	40159634	SLEEVE		*		1
103	40159624	SPRING		*		1
104	40159657	SPRING		*		1
105	40159636	FIXED RING	FOR 14S-44H,16S-50H	*		1
106	40178549	THREAD TENSION KNOB.(G)		*		1
107	40159643	THREAD TENSION COMB.(Y1)				3
108	40178550	THREAD TENSION KNOB.(Y)		*		1
109	40159632	THREAD TENSION SHAFT		*		1
110	40159634	SLEEVE		*		1
111	70000211	SPRING		*		1
112	40159636	FIXED RING		*		1
113	40164056	THREAD TAKE-UP LEVER	FOR 14S-30P			1
114	40172527	THREAD CROSSING	FOR 16S	*		1

UPPER LOOPER COMPONENTS

MODEL	04S/16S	14S/43S	14S-44H	16S-50H
PARTS NO	73	72	70	71 + 72
	12	11	11	12
	10	9	9	10
	2	1	1	2
	35	36	37	35
		59	16	61
	14	15	81	14
	75	76	74	76

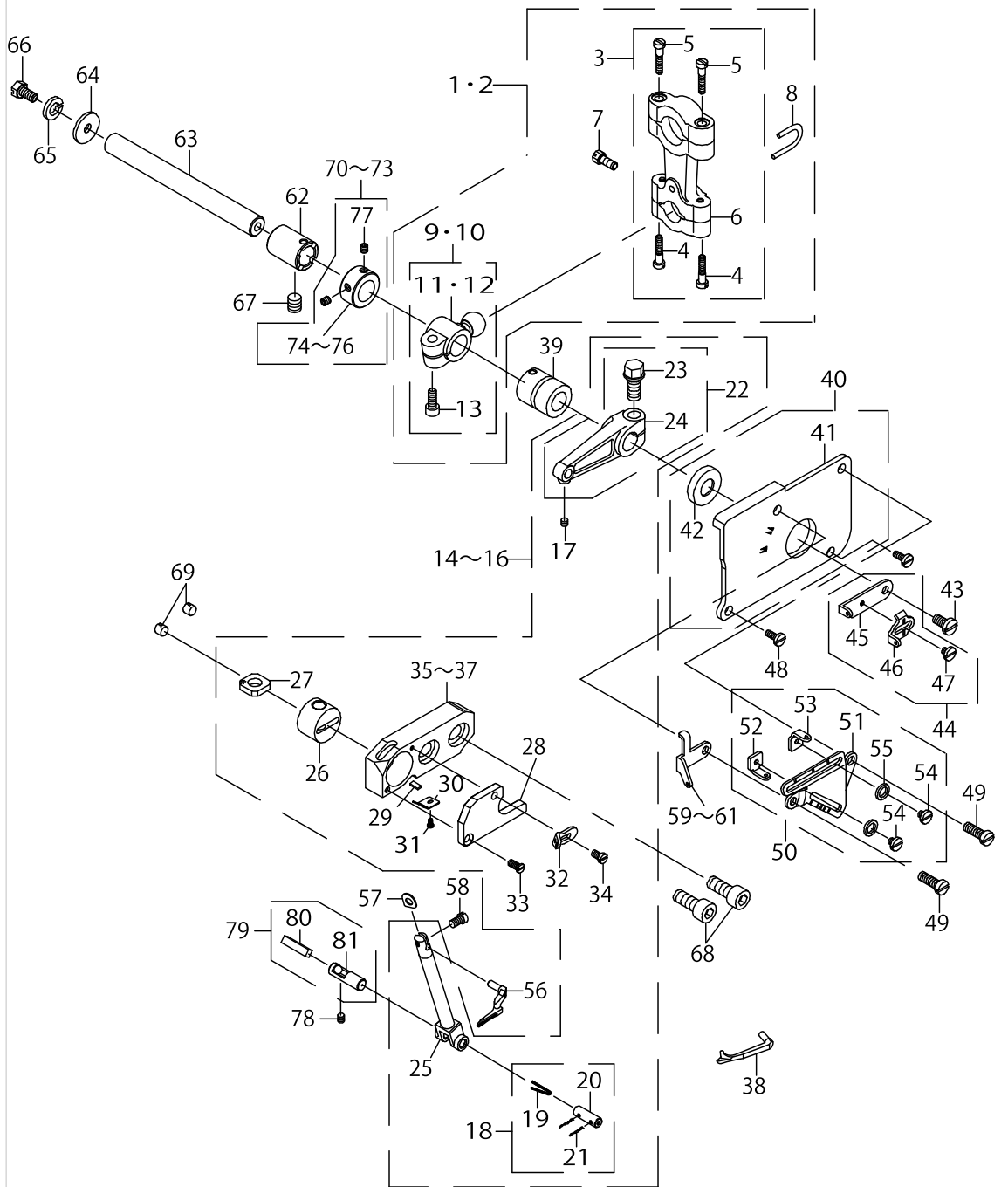


UPPER LOOPER COMPONENTS

No.	Parts No.	Parts name	Remarks	Level	Cons	Qty
1	40159686	BALL CONNECTING ROD COMB.	FOR 14S,43S,14S-44H			1
2	40159687	BALL CONNECTING ROD COMB.	FOR 04S,16S,16S-50H			1
3	40179596	CONNECTING ROD		*		1
4	40179597	E_SCREW		*		2
5	40179597	E_SCREW		*		2
6	40178084	BALL CONNECTING ROD		*		1
7	70000545	E_SCREW		*		1
8	40159684	FIXED JAW		*		1
9	70000254	BALL CONNECTING ROD COMB.	FOR 14S,43S,14S-44H	*		1
10	40159678	BALL CONNECTING ROD COMB.	FOR 04S,16S,16S-50H	*		1
11	70000253	BALL CONNECTING ROD	FOR 14S,43S,14S-44H	*		1
12	70000834	BALL CONNECTING ROD	FOR 04S,16S,16S-50H	*		1
13	70000590	M_SCREW		*		1
14	40159675	CONNECTING ROD SEAT COMB.	FOR 04S,16S			1
15	40159681	CONNECTING ROD SEAT COMB.	FOR 14S,43S			1
16	40159682	CONNECTING ROD SEAT COMB.	FOR 14S-44H			1
17	70000498	E_SCREW		*		1
18	70000251	LOOPER CONNECTING ROD PIN COMB.		*		1
19	70000729	OIL WICK		*		1
20	70000661	PIN		*		1
21	70000728	OIL YARN		*		2
22	70000240	CONNECTING ROD COMB.		*		1
23	70000593	M_SCREW		*		1
24	70000239	CONNECTING ROD		*		1
25	40172535	LOOPER CONNECTING ROD		*		1
26	70000241	LOOPER GUIDE SHAFT		*		1
27	70000678	OIL WICK		*		1
28	70000243	FIXED PLATE		*		1
29	40159671	OIL FELT		*		1
30	40159672	FELT COVER		*		1
31	70000538	E_SCREW		*		1
32	70000193	THREAD CROSSING		*		1
33	70000560	E_SCREW		*		1
34	40159674	E_SCREW		*		1
35	40159673	CONNECTING ROD SEAT	FOR 04S,16S,16S-50H	*		1
36	40159679	CONNECTING ROD SEAT	FOR 14S,43S	*		1
37	40159680	CONNECTING ROD SEAT	FOR 14S-44H	*		1
38	40176583	LOOPER	OPTIONAL PARTS			1
39	70000248	BUSHING				1
40	70000749	COVER				1
41	70000748	COVER		*		1
42	70000268	OIL SEAL		*		1
43	70000515	E_SCREW				1
44	70000202	THREAD CROSSING COMB.				1
45	70000197	THREAD CROSSING		*		1
46	70000198	THREAD CROSSING		*		1
47	70000501	E_SCREW		*		1

UPPER LOOPER COMPONENTS

MODEL	04S/16S	14S/43S	14S-44H	16S-50H
PARTS NO	73	72	70	71 + 72
	12	11	11	12
	10	9	9	10
	2	1	1	2
	35	36	37	35
		59	16	61
	14	15	81	14
	75	76	74	76

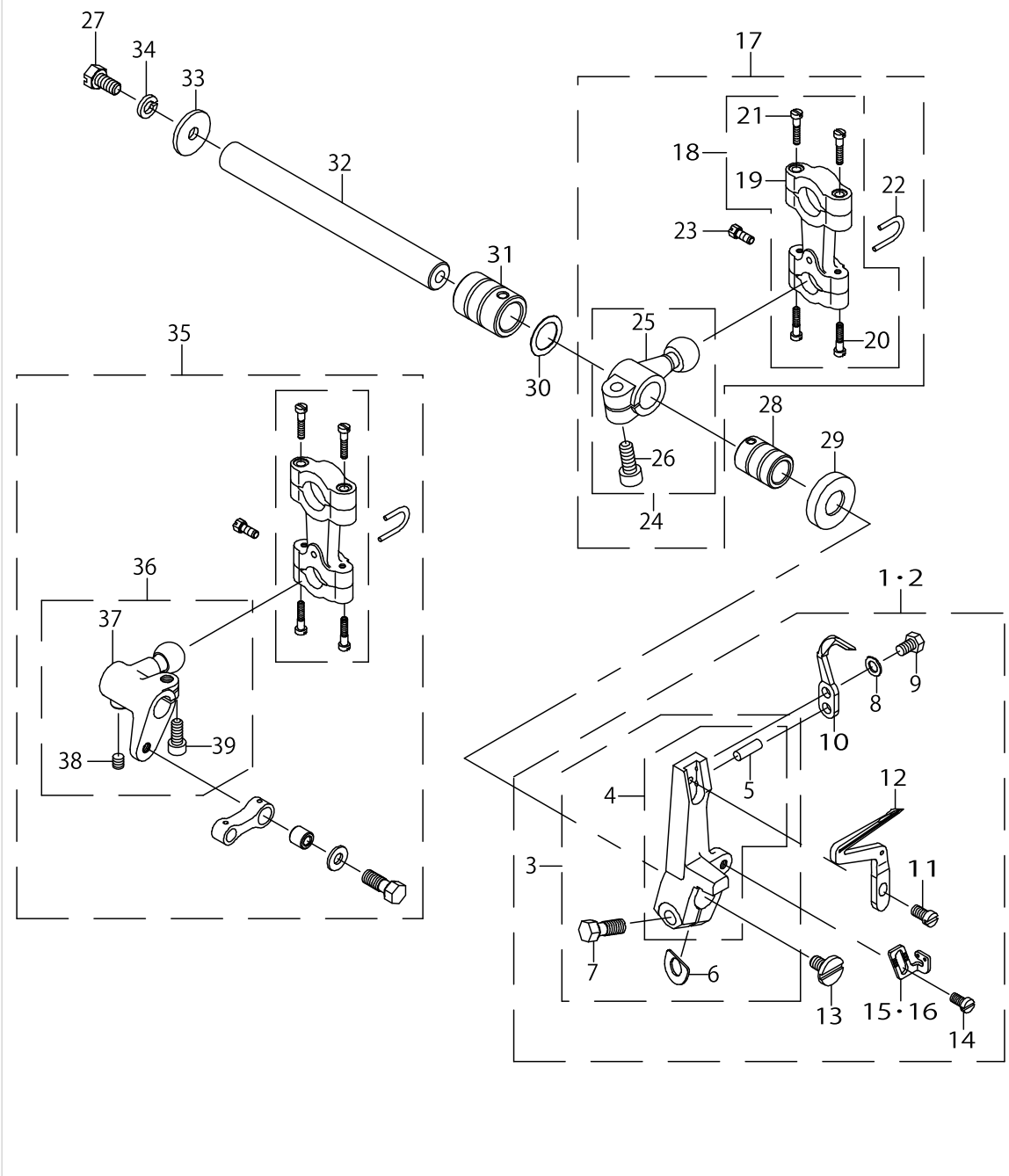


UPPER LOOPER COMPONENTS

No.	Parts No.	Parts name	Remarks	Level	Cons	Qty
48	70000521	E_SCREW				2
49	70000521	E_SCREW				2
50	70000201	GRADUATED PLATE COMB.				1
51	70000194	FIXED PLATE		*		1
52	70000200	THREAD CROSSING		*		1
53	70000195	THREAD CROSSING		*		1
54	70000501	E_SCREW		*		2
55	70000350	WASHER		*		2
56	*****	LOOPER	REFER "MO-6800S GAUGE TABLE			1
57	40159670	WASHER				1
58	70000504	E_SCREW				1
59	70000196	THREAD CROSSING	FOR 04S,14S,16S,43S			1
60	70000812	THREAD GUIDE	FOR 14S-44H			1
61	40159683	THREAD GUIDE	FOR 16S-50H			1
62	70000247	BUSHING				1
63	70000246	ARBOR COMB.				1
64	70000342	GASKET				1
65	70000613	WASHER				1
66	70000517	E_SCREW				1
67	70000522	E_SCREW				1
68	70000587	M_SCREW				2
69	70000679	OIL WICK				2
70	40159666	COLLAR COMB.	FOR 14S-44H			1
71	70000807	COLLAR COMB.	FOR 16S-50H			1
72	40159676	COLLAR COMB.	FOR 14S,43S,16S-50H			1
73	40159677	COLLAR COMB.	FOR 04S,16S			1
74	40159665	COLLAR	FOR 14S-44H	*		1
75	40177859	COLLAR	FOR 04S,16S	*		1
76	40159715	COLLAR	FOR 14S,43S,16S-50H	*		1
77	70000522	E_SCREW		*		2
78	70000522	E_SCREW				1
79	40159669	OIL TUBE				1
80	40159668	OIL WICK		*		1
81	40159667	OIL TUBE		*		1

LOWER LOOPER COMPONENTS

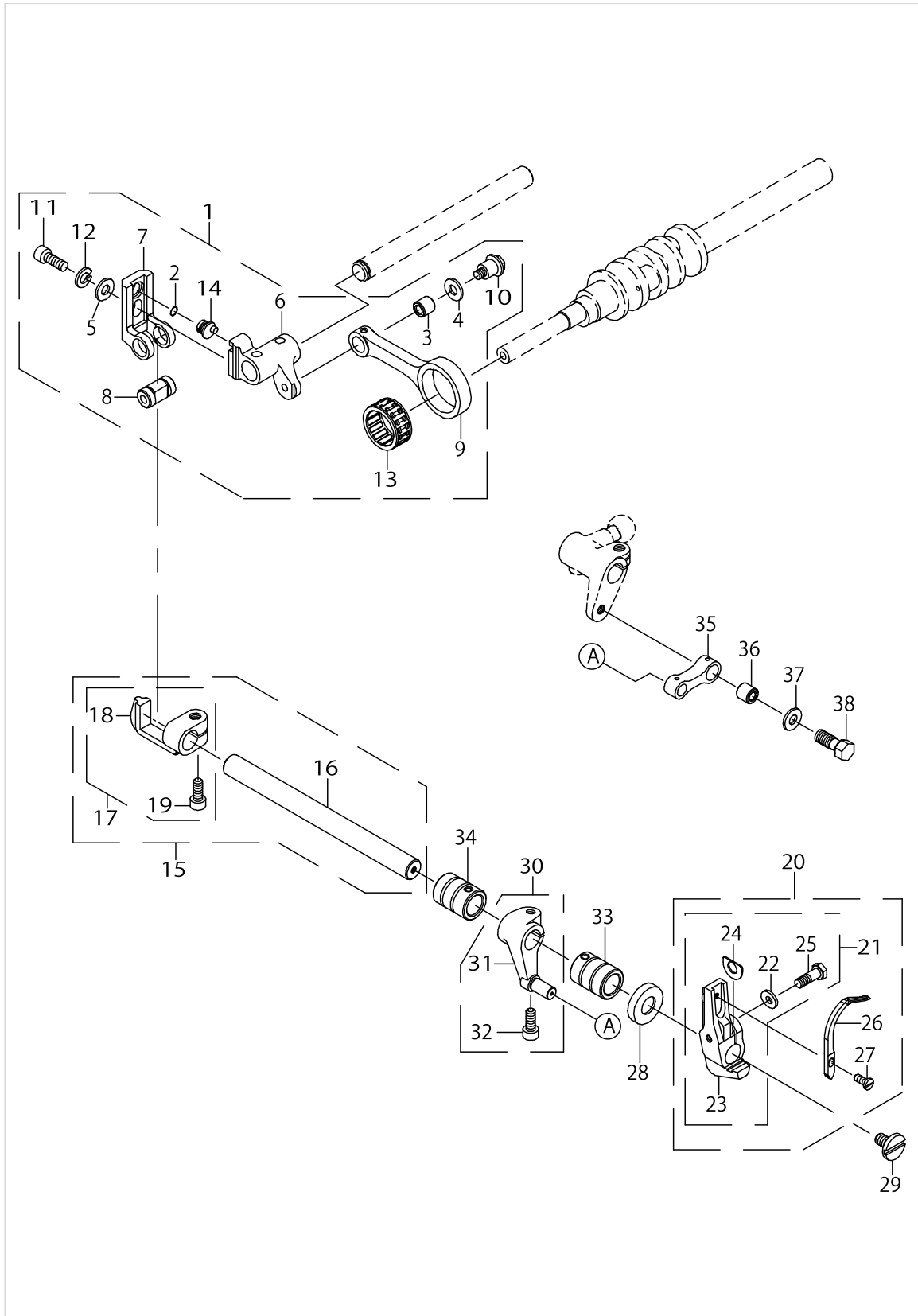
MODEL	04S/14S	16S/43S	16S-50H
PARTS NO	15	16	
	1	2	
	25	37	
	24	38	
	17	35	



LOWER LOOPER COMPONENTS

No.	Parts No.	Parts name	Remarks	Level	Cons	Qty
1	40159692	LOOPER HOLDER COMB.	FOR 04S,14S,16S,43S			1
2	40159694	LOOPER HOLDER COMB.	FOR 16-50H			1
3	70000407	LOOPER HOLDER		*		1
4	70000406	LOOPER HOLDER		*		1
5	70000667	PIN		*		1
6	70000380	GASKET		*		1
7	70000531	E_SCREW		*		1
8	70000751	WASHER		*		1
9	70000511	E_SCREW		*		1
10	70000175	EJECTOR PLATE		*		1
11	70000505	E_SCREW		*		1
12	70000405	LOOPER		*		1
13	70000525	E_SCREW		*		1
14	70000506	E_SCREW		*		1
15	70000199	THREAD GUIDE PLATE	FOR 04S,14S,16S,43S	*		1
16	40159693	THREAD GUIDE PLATE	FOR 16-50H	*		1
17	40159689	BALL CONNECTING ROD COMB.	FOR 04S,14S			1
18	40179596	CONNECTING ROD		*		1
19	40178084	BALL CONNECTING ROD		*		1
20	40179597	E_SCREW		*		2
21	40179597	E_SCREW		*		2
22	40159684	FIXED JAW		*		1
23	70000545	E_SCREW		*		1
24	70000415	BALL CONNECTING ROD	FOR 04S,14S	*		1
25	70000413	BALL CONNECTING ROD	FOR 04S,14S	*		1
26	70000590	M_SCREW		*		1
27	70000517	E_SCREW				1
28	70000410	BUSHING				1
29	70000270	OIL SEAL				1
30	70000752	WASHER				1
31	70000410	BUSHING				1
32	70000409	ARBOR				1
33	70000343	GASKET				1
34	70000614	WASHER				1
35	40159690	BALL CONNECTING ROD COMB.	FOR 16S,43S			1
36	70000416	BALL CONNECTING ROD	FOR 16S,43S	*		1
37	70000414	BALL CONNECTING ROD	FOR 16S,43S	*		1
38	70000522	E_SCREW	FOR 16S,43S	*		1
39	70000590	M_SCREW		*		1

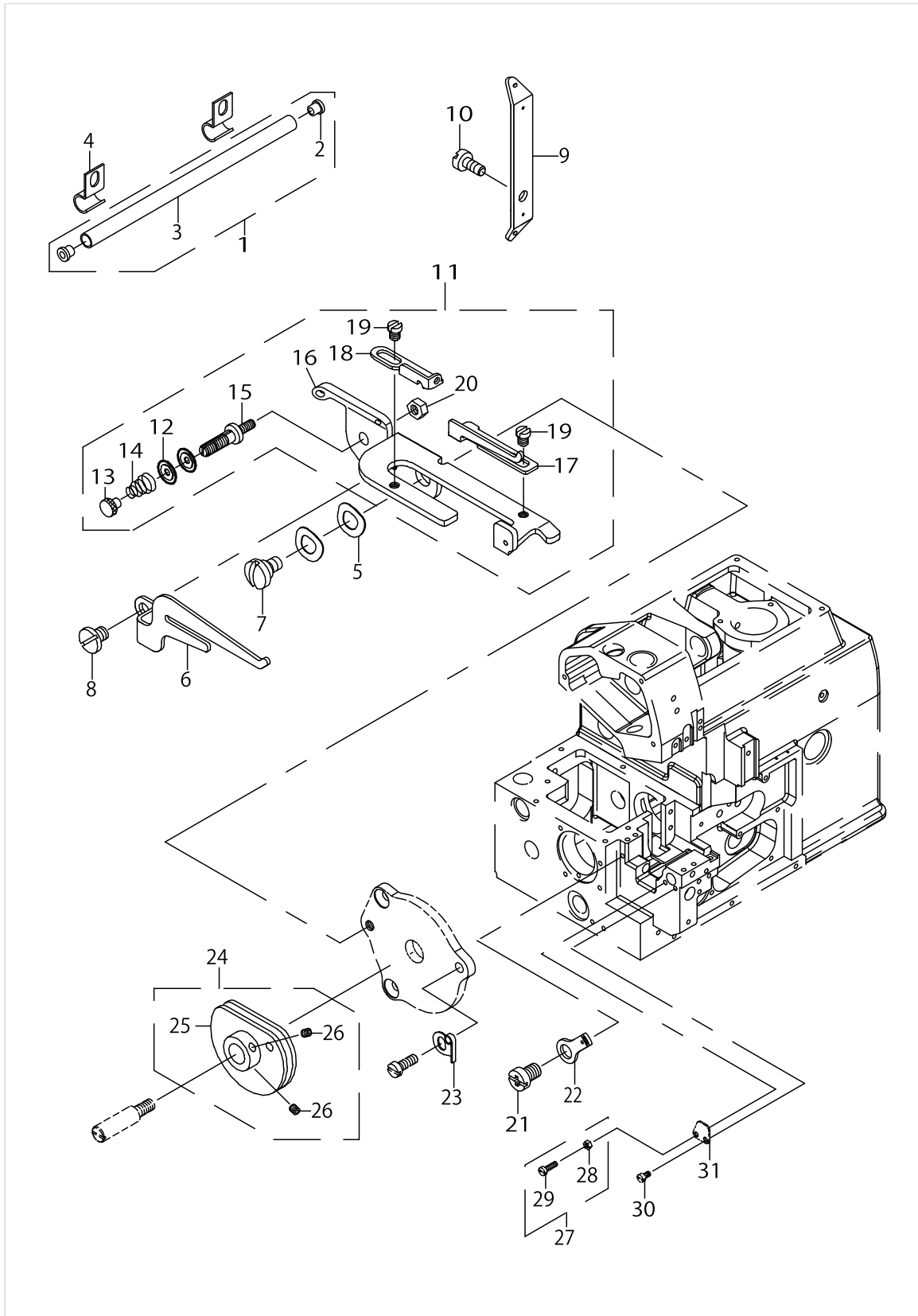
CHAIN LOOPER COMPONENTS (1)



CHAIN LOOPER COMPONENTS (1)

No.	Parts No.	Parts name	Remarks	Level	Cons	Qty
1	70000479	CONNECTING ROD COMB.				1
2	70000139	O-RING		*		1
3	70000317	BUSHING		*		1
4	70000346	GASKET		*		1
5	70000357	WASHER		*		1
6	70000463	ADJUSTING SEAT		*		1
7	70000464	ADJUSTING SEAT		*		1
8	70000467	SHAFT		*		1
9	70000478	CONNECTING ROD		*		1
10	70000514	E_SCREW		*		1
11	70000561	E_SCREW		*		1
12	70000616	WASHER		*		1
13	70000697	BEARING		*		1
14	70000703	ECCENTRIC		*		1
15	70000465	SLIDE BLOCK GUIDE				1
16	70000461	SHAFT		*		1
17	70000466	SLIDE BLOCK GUIDE		*		1
18	70000462	SLIDE BLOCK GUIDE		*		1
19	70000590	M_SCREW		*		1
20	70000475	LOOPER COMB.				1
21	70000476	LOOPER HOLDER		*		1
22	70000351	WASHER		*		1
23	70000474	LOOPER HOLDER		*		1
24	70000380	GASKET		*		1
25	70000531	E_SCREW		*		1
26	70000473	LOOPER		*		1
27	70000508	E_SCREW		*		1
28	70000270	OIL SEAL				1
29	70000525	SCREW				1
30	70000471	LOOPER CONNECTING ROD				1
31	70000470	LOOPER CONNECTING ROD		*		1
32	70000590	M_SCREW		*		1
33	70000477	BUSHING				1
34	70000410	BUSHING				1
35	70000472	CONNECTING ROD				1
36	70000317	BUSHING				1
37	70000346	GASKET				1
38	70000514	E_SCREW				1

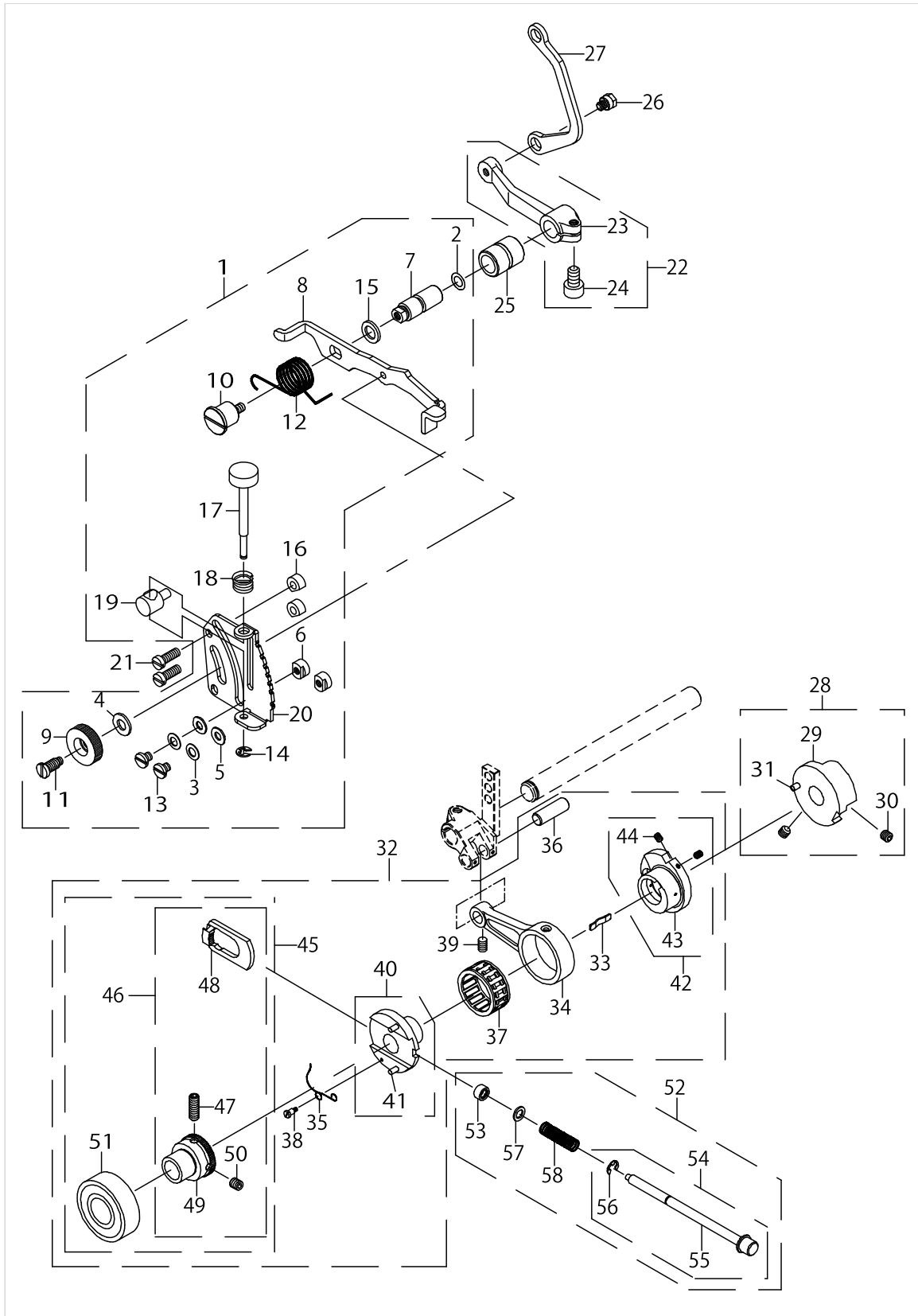
CHAIN LOOPER COMPONENTS (2)



CHAIN LOOPER COMPONENTS (2)

No.	Parts No.	Parts name	Remarks	Level	Cons	Qty
1	70000397	DUCT COMB.				1
2	70000172	PLUG		*		2
3	70000396	DUCT		*		1
4	70000398	FIXED PLATE				2
5	70000359	WASHER				2
6	70000387	THREAD GUIDE PLATE				1
7	70000519	E_SCREW				1
8	70000576	M_SCREW				1
9	70000384	THREAD CROSSING				1
10	70000513	E_SCREW				1
11	70000391	THREAD TAKE-UP DEVICE				1
12	70000392	THREAD GRIP		*		2
13	70000393	THREAD TENSION KNOB		*		1
14	70000394	SPRING		*		1
15	70000395	THREAD TENSION SHAFT		*		1
16	70000388	BRACKET		*		1
17	70000389	THREAD GUIDE PLATE		*		1
18	70000390	THREAD GUIDE PLATE		*		1
19	70000571	M_SCREW		*		2
20	70000452	NUT		*		1
21	70000557	E_SCREW				1
22	70000383	THREAD GUIDE PLATE				1
23	70000448	SPRING PLATE				1
24	70000386	THREAD TENSION CAM				1
25	70000385	THREAD TENSION CAM		*		1
26	70000498	E_SCREW		*		2
27	70000453	NUT				1
28	70000452	NUT		*		1
29	70000563	E_SCREW		*		1
30	70000518	E_SCREW				1
31	70000610	FIXED PLATE				1

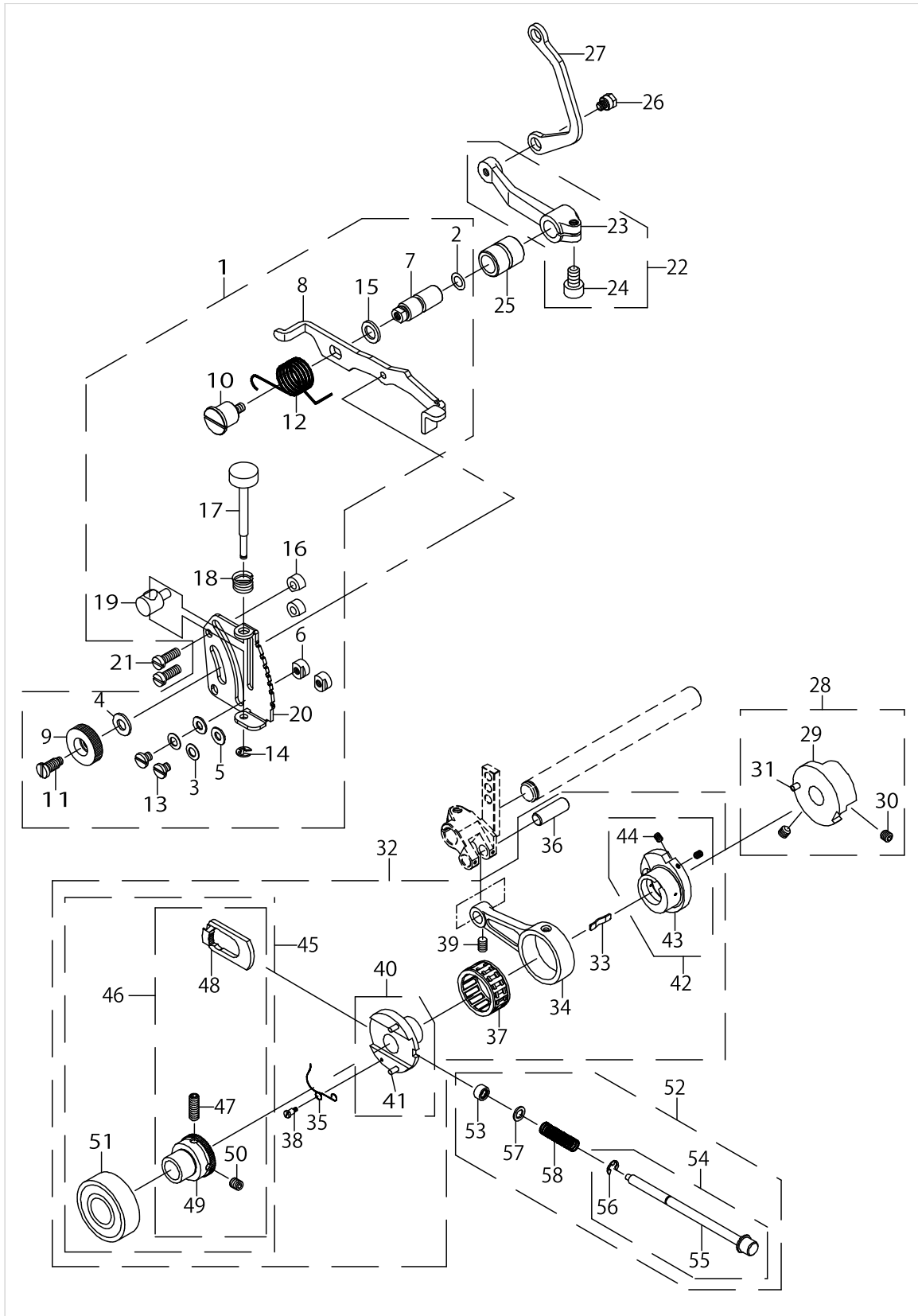
FEED MECHANISM COMPONENTS (1)



FEED MECHANISM COMPONENTS (1)

No.	Parts No.	Parts name	Remarks	Level	Cons	Qty
1	40159707	FEED DOG SEAT COMB.				1
2	70000140	O-RING		*		1
3	70000344	GASKET		*		2
4	70000345	WASHER		*		1
5	70000349	WASHER		*		2
6	70000372	FIXED BLOCK		*		2
7	70000373	ADJUSTING SEAT		*		1
8	70000379	ADJUSTING PLATE		*		1
9	70000450	NUT		*		1
10	70000495	SCREW		*		1
11	70000542	E_SCREW		*		1
12	70000601	SPRING		*		1
13	70000512	E_SCREW		*		2
14	70000131	E_CIRCLIPS		*		1
15	70000353	WASHER		*		1
16	40159702	SPACER		*		2
17	40159703	ADJUSTING SCREW		*		1
18	40159704	SPRING		*		1
19	40159705	BLOCK		*		1
20	40159706	FEED DOG SEAT		*		1
21	70000523	E_SCREW				2
22	70000370	DIFFERENTIAL CONNECTING ROD ASM.				1
23	70000369	DIFFERENTIAL CONNECTING ROD		*		1
24	70000590	M_SCREW		*		1
25	40159700	BUSHING				1
26	70000552	E_SCREW				1
27	40159701	CONNECTING ROD				1
28	70000276	ADJUSTING WHEEL				1
29	70000275	ADJUSTING WHEEL		*		1
30	70000582	M_SCREW		*		2
31	70000666	PIN		*		1
32	40159709	CONNECTING ROD COMB.				1
33	70000162	SPRING PLATE		*		1
34	70000277	CONNECTING ROD		*		1
35	70000602	SPRING		*		1
36	70000662	PIN		*		1
37	70000698	BEARING		*		1
38	40159629	M_SCREW		*		1
39	70000503	E_SCREW		*		1
40	70000282	ECCENTRIC		*		1
41	70000665	PIN		*		2
42	70000289	ECCENTRIC		*		1
43	70000288	ECCENTRIC		*		1
44	70000502	E_SCREW		*		2
45	70000741	ADJUSTING WHEEL COMB.		*		1
46	70000740	ADJUSTING WHEEL		*		1
47	70000583	M_SCREW		*		1

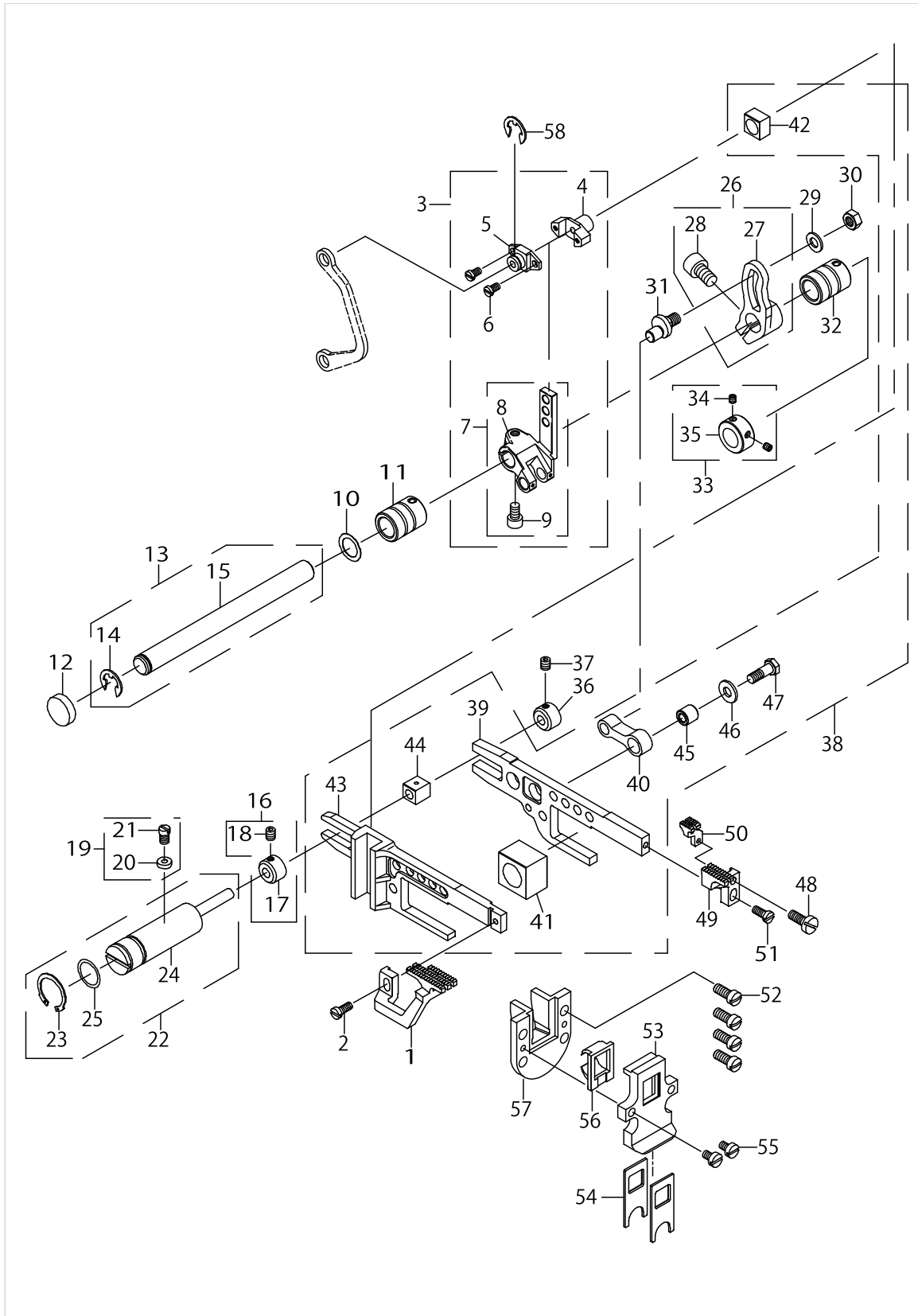
FEED MECHANISM COMPONENTS (1)



FEED MECHANISM COMPONENTS (1)

No.	Parts No.	Parts name	Remarks	Level	Cons	Qty
48	70000738	SLIDE BLOCK		*		1
49	70000739	ADJUSTING WHEEL		*		1
50	70000582	M_SCREW		*		1
51	70000694	BEARING		*		1
52	70000284	SHAFT COMB.				1
53	70000137	O-RING		*		1
54	70000286	SHAFT		*		1
55	70000283	SHAFT		*		1
56	70000131	E_CIRCLIPS		*		1
57	70000358	WASHER		*		1
58	70000600	SPRING		*		1

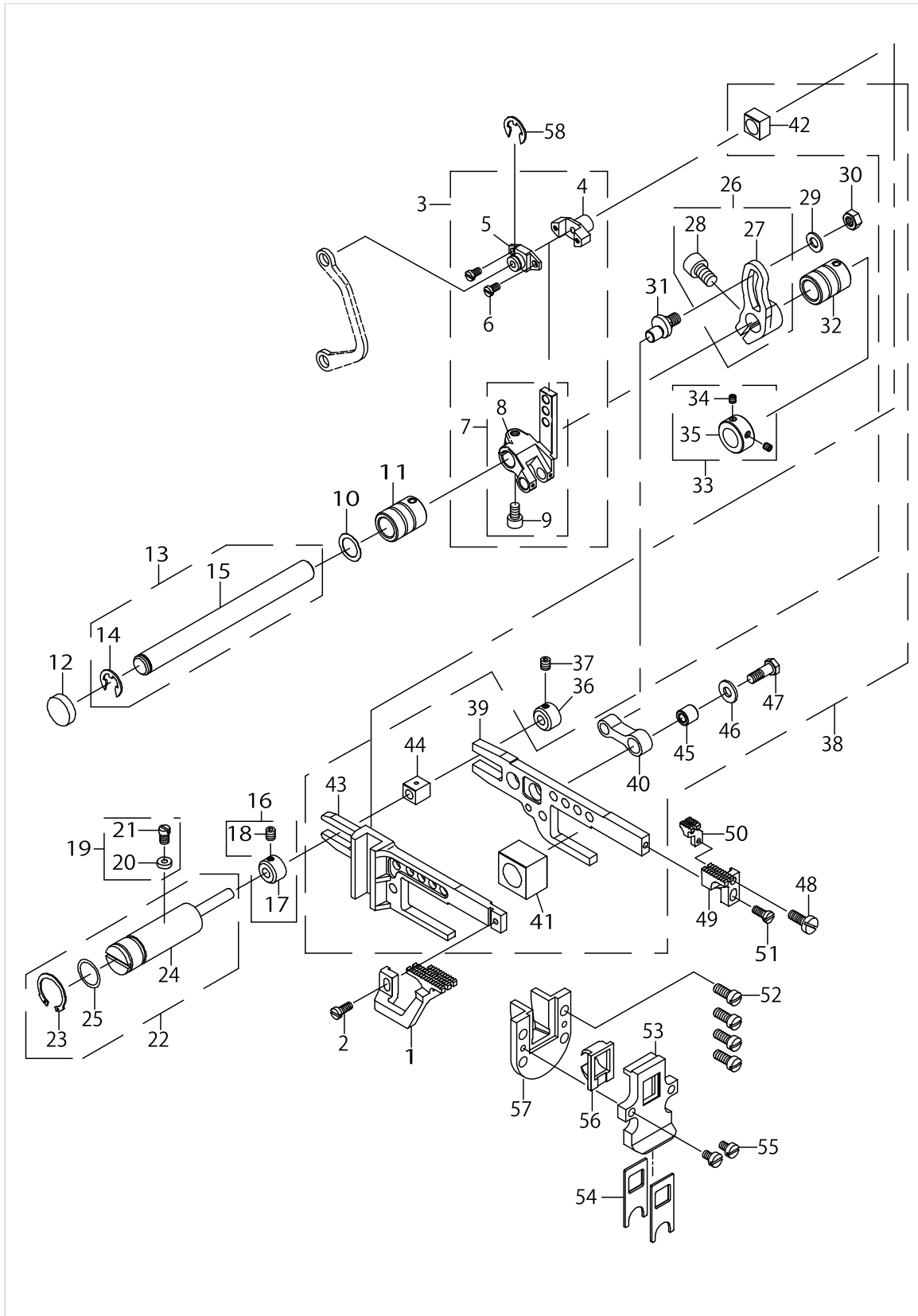
FEED MECHANISM COMPONENTS (2)



FEED MECHANISM COMPONENTS (2)

No.	Parts No.	Parts name	Remarks	Level	Cons	Qty
1	*****	FEED DOG	REFER "MO-6800S GAUGE TABLE			1
2	70000509	E_SCREW				1
3	70000683	CRANK COMB.				1
4	70000374	ROCKING SEAT		*		1
5	70000375	ROCKING SEAT		*		1
6	70000558	E_SCREW		*		2
7	70000684	CRANK		*		1
8	70000681	CRANK		*		1
9	70000590	M_SCREW		*		1
10	70000361	WASHER				1
11	70000280	BUSHING				1
12	70000446	OIL SEAL				1
13	40159717	ECCENTRIC SHAFT COMB.				1
14	70000133	E_CIRCLIPS		*		1
15	40159716	ECCENTRIC SHAFT		*		1
16	70000435	COLLAR				1
17	70000433	COLLAR		*		1
18	70000522	E_SCREW		*		1
19	70000147	OIL SEAL COMB.				1
20	70000138	OIL SEAL		*		1
21	70000548	E_SCREW		*		1
22	70000734	ECCENTRIC SHAFT				1
23	70000135	E_CIRCLIPS		*		1
24	70000733	ECCENTRIC SHAFT		*		1
25	70000141	O-RING		*		1
26	70000685	CRANK				1
27	70000682	CRANK		*		1
28	70000590	M_SCREW		*		1
29	70000356	WASHER				1
30	70000458	NUT				1
31	70000688	ADJUSTING SHAFT				1
32	70000410	BUSHING				1
33	40159676	COLLAR				1
34	70000522	E_SCREW		*		2
35	40159715	COLLAR		*		1
36	70000433	COLLAR				1
37	70000522	E_SCREW				1
38	70000731	FEED DOG SEAT COMB.				1
39	70000422	FEED DOG SEAT		*		1
40	70000423	CONNECTING ROD		*		1
41	70000429	SLIDE BLOCK		*		1
42	70000686	SLIDE BLOCK		*		1
43	70000689	FEED DOG SEAT		*		1
44	70000732	SLIDE BLOCK		*		1
45	70000317	BUSHING		*		1
46	70000346	GASKET		*		1

FEED MECHANISM COMPONENTS (2)

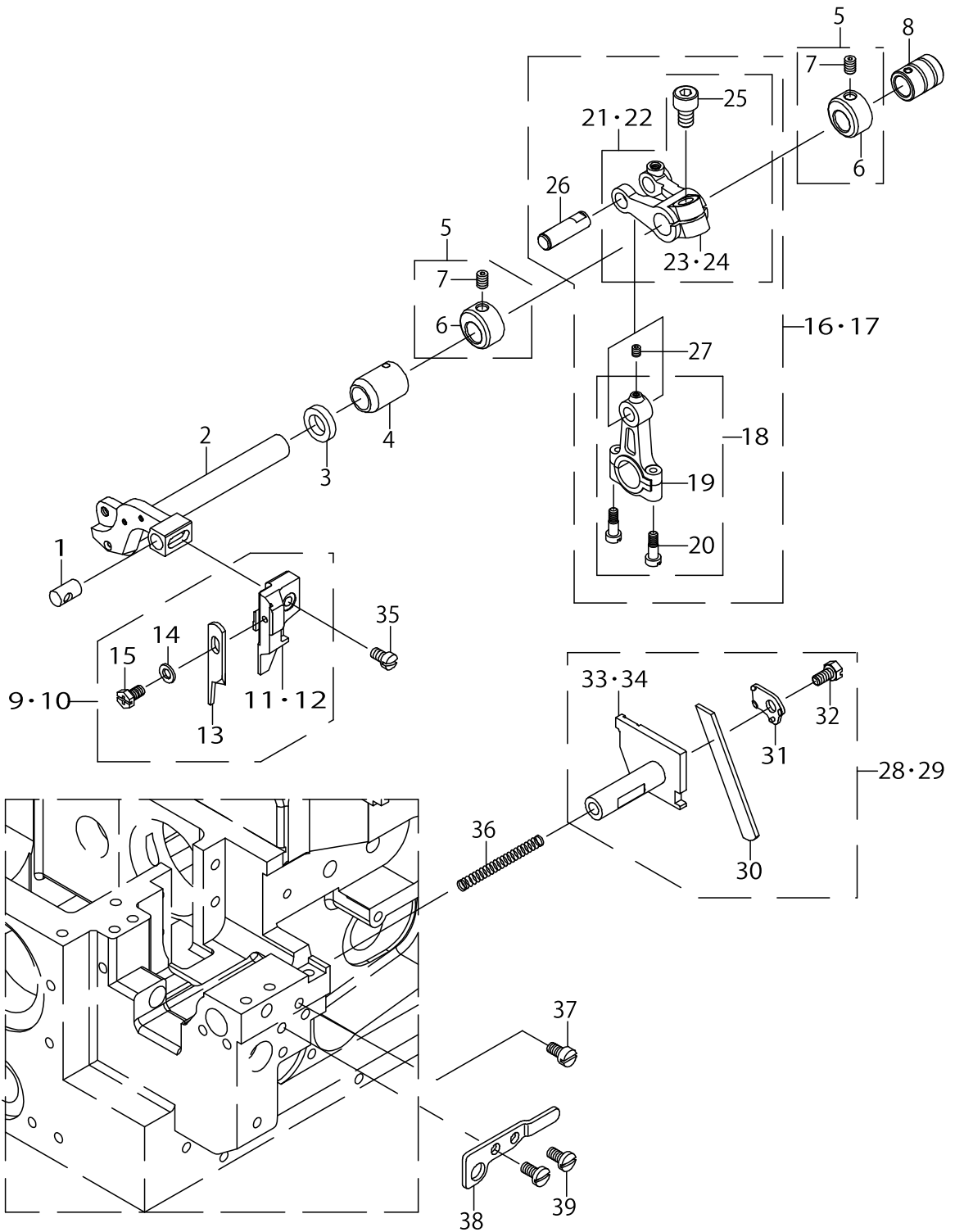


FEED MECHANISM COMPONENTS (2)

No.	Parts No.	Parts name	Remarks	Level	Cons	Qty
47	7000514	E_SCREW		*		1
48	7000572	M_SCREW				1
49	*****	FEED DOG	REFER "MO-6800S GAUGE TABLE			1
50	*****	FEED DOG	REFER "MO-6800S GAUGE TABLE			1
51	7000509	E_SCREW				1
52	7000530	E_SCREW				4
53	7000151	OIL SCRAPER HOLDER				1
54	7000152	OIL SEAL				2
55	7000508	E_SCREW				2
56	40159718	OIL SEAL				1
57	40159719	SLIDE BLOCK				1
58	7000132	E_CIRCLIPS				1

KNIFE COMPONENTS

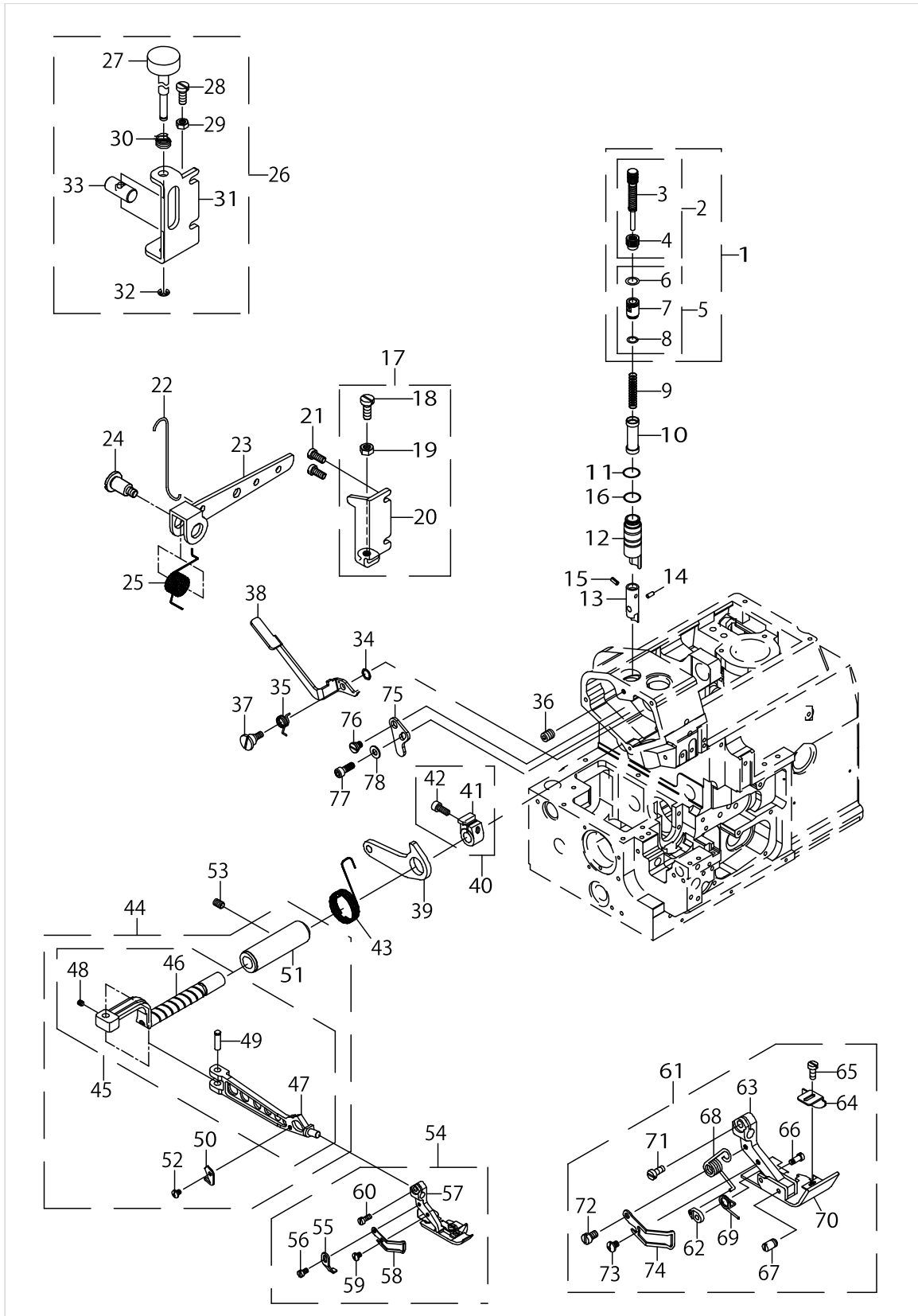
MODEL	04S/14S	16S/43S
PARTS NO	23	24
	21	22
	16	17
	11	12
	9	10
	33	34
	28	29



KNIFE COMPONENTS

No.	Parts No.	Parts name	Remarks	Level	Cons	Qty
1	70000230	SHAFT				1
2	70000235	SWING AXLE				1
3	70000269	OIL SEAL				1
4	70000237	BUSHING				1
5	70000436	COLLAR				2
6	70000434	COLLAR		*		2
7	70000522	E_SCREW		*		2
8	70000236	BUSHING				1
9	40178003	KNIFE SEAT COMB.	FOR 04S,14S			1
10	40159734	KNIFE SEAT COMB	FOR 16S,43S			1
11	40172528	KNIFE SEAT	FOR 04S,14S	*		1
12	40172529	KNIFE SEAT	FOR 16S,43S	*		1
13	70000229	KNIFE		*		1
14	70000347	GASKET		*		1
15	70000510	E_SCREW		*		1
16	40159729	CONNECTING ROD	FOR 04S,14S			1
17	40159732	CONNECTING ROD	FOR 16S,43S			1
18	40159728	CONNECTING ROD		*		1
19	40159727	CONNECTING ROD		*		1
20	70000578	M_SCREW		*		2
21	70000721	ROCKING BAR	FOR 04S,14S	*		1
22	70000842	ROCKING BAR COMB.	FOR 16S,43S	*		1
23	70000720	ROCKING BAR	FOR 04S,14S	*		1
24	70000841	ROCKING BAR	FOR 16S,43S	*		1
25	70000590	M_SCREW		*		1
26	40159726	PIN		*		1
27	70000522	E_SCREW		*		1
28	70000402	KNIFE SEAT COMB.	FOR 04S,14S			1
29	70000845	KNIFE SEAT COMB.	FOR 16S,43S			1
30	70000399	KNIFE		*		1
31	70000400	FIXED PLATE		*		1
32	70000517	E_SCREW		*		1
33	70000403	KNIFE SEAT	FOR 04S,14S	*		1
34	70000813	KNIFE SEAT	FOR 16S,43S	*		1
35	70000521	E_SCREW				1
36	70000603	SPRING				1
37	70000524	E_SCREW				1
38	70000401	FIXED PLATE				1
39	70000515	E_SCREW				2

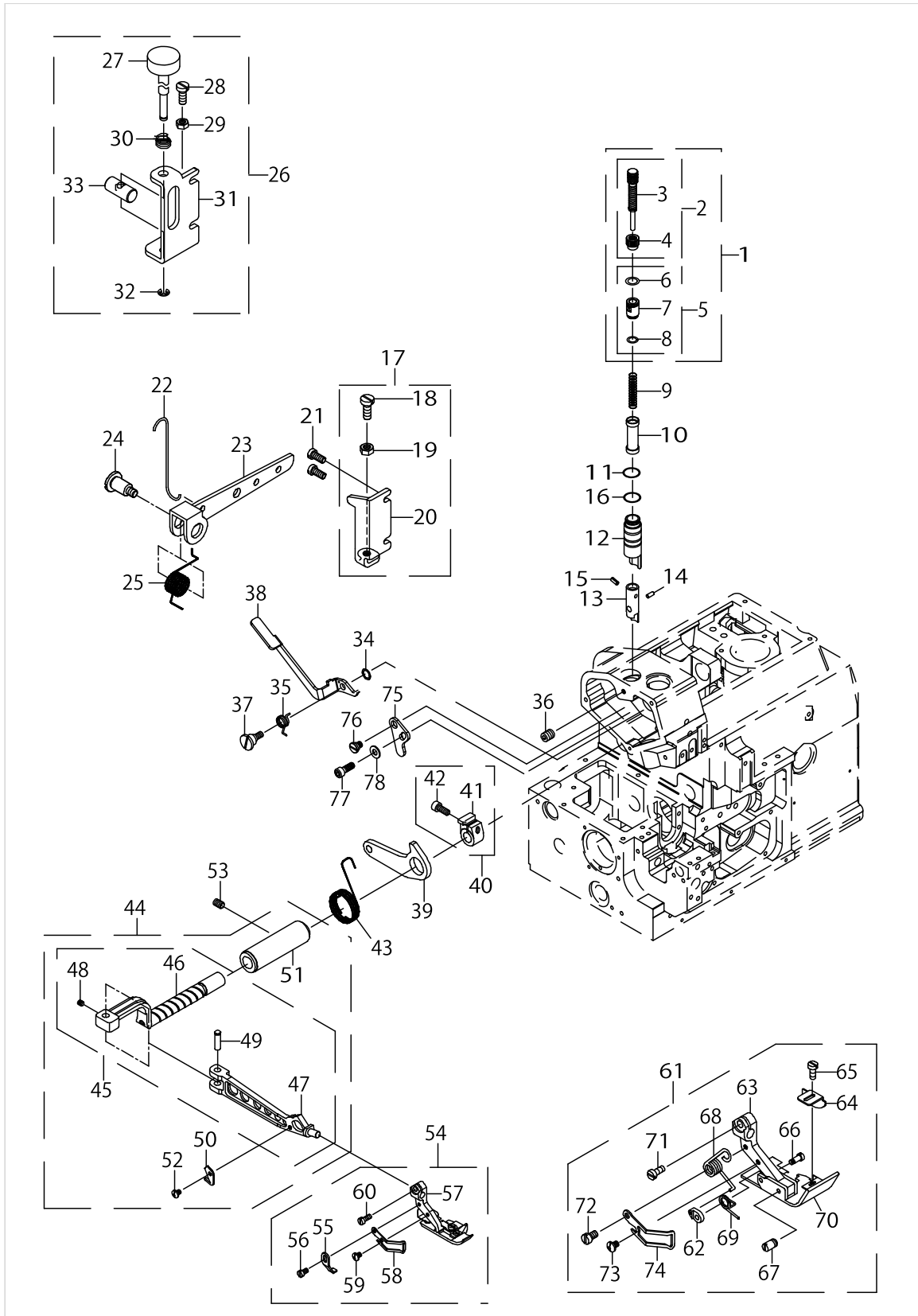
PRESSER FOOT COMPONENTS



PRESSER FOOT COMPONENTS

No.	Parts No.	Parts name	Remarks	Level	Cons	Qty
1	40159745	SCREW ROD COMB.				1
2	40159746	SCREW ROD COMB.		*		1
3	40159741	SCREW ROD		*		1
4	40159742	NUT		*		1
5	40159744	FIXED BUTTON		*		1
6	70000141	O-RING		*		1
7	40159743	FIXED BUTTON		*		1
8	70000142	O-RING		*		1
9	70000608	SPRING				1
10	40159753	THIMBLE				1
11	70000142	O-RING				1
12	40170670	PRESSER FOOT ARM				1
13	70000309	SLIDER				1
14	70000664	SHAFT				1
15	70000669	PIN				1
16	70000141	O-RING				1
17	70000293	SUPPORTER				1
18	70000584	M_SCREW		*		1
19	70000458	NUT		*		1
20	70000292	STOPPER		*		1
21	70000515	E_SCREW				2
22	70000294	HOOK BAR				1
23	70000295	PRESSER FOOT ARM				1
24	70000592	M_SCREW				1
25	70000604	SPRING				1
26	40159749	SUPPORTER	OPTIONAL PARTS			1
27	40159703	ADJUSTING SCREW		*		1
28	70000584	M_SCREW		*		1
29	70000458	NUT		*		1
30	40159704	SPRING		*		1
31	40159748	STOPPER		*		1
32	70000131	E_CIRCLIPS		*		1
33	40159750	BLOCK		*		1
34	70000355	WASHER				1
35	40159754	SPRING				1
36	70000522	E_SCREW				1
37	70000528	E_SCREW				1
38	40159752	LEVER				1
39	70000291	DRAG LINK				1
40	70000302	COLLAR				1
41	70000301	COLLAR		*		1
42	40159751	M_SCREW		*		1
43	70000605	SPRING				1
44	40178006	PRESSER FOOT SEAT COMB.				1
45	40178007	PRESSER BAR COMB.		*		1
46	40172530	PRESSER FOOT LIFTING LEVER		*		1
47	70000297	PRESSER FOOT ARM		*		1

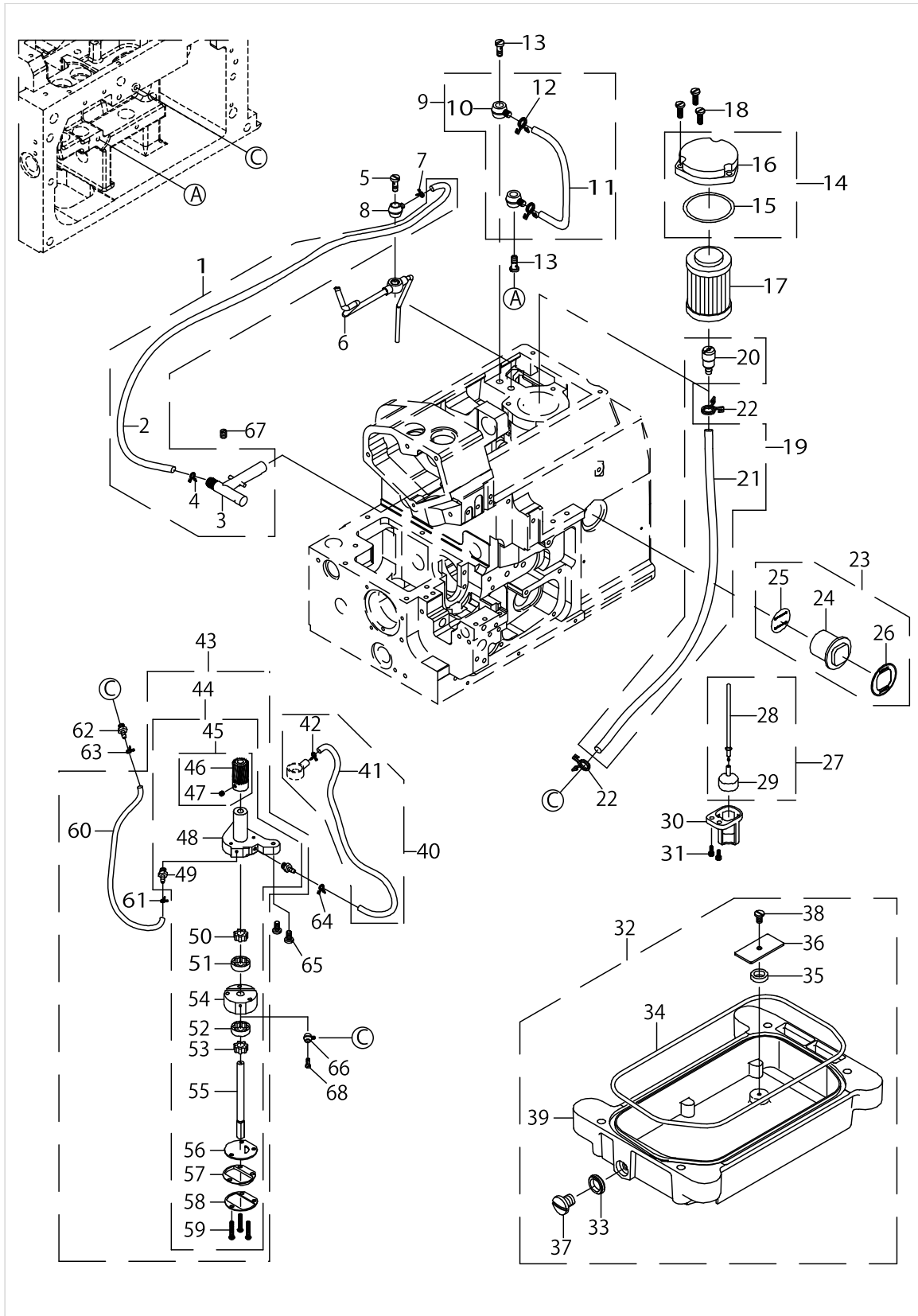
PRESSER FOOT COMPONENTS



PRESSER FOOT COMPONENTS

No.	Parts No.	Parts name	Remarks	Level	Cons	Qty
48	70000566	M_SCREW		*		1
49	70000673	SHAFT		*		1
50	70000176	KNIFE		*		1
51	70000303	BUSHING		*		1
52	70000538	E_SCREW		*		1
53	70000522	E_SCREW				1
54	*****	PRESSER FOOT	REFER "MO-6800S GAUGE TABLE			1
55	70000304	FIXED PLATE		*		1
56	70000500	E_SCREW		*		1
57	*****	PRESSER FOOT	REFER "MO-6800S GAUGE TABLE	*		1
58	70000735	FINGER GUARD		*		1
59	70000538	E_SCREW		*		1
60	70000505	E_SCREW		*		1
61	*****	PRESSER FOOT	REFER "MO-6800S GAUGE TABLE			1
62	70000419	LEVER		*		1
63	70000420	PRESSER FOOT LIFTING LEVER		*		1
64	70000480	THREAD GUIDE PLATE		*		1
65	70000496	E_SCREW		*		1
66	70000499	E_SCREW		*		1
67	70000537	E_SCREW		*		1
68	70000606	SPRING		*		1
69	70000609	SPRING		*		1
70	*****	PRESSER FOOT	REFER "MO-6800S GAUGE TABLE	*		1
71	70000505	E_SCREW		*		1
72	70000500	E_SCREW		*		1
73	70000538	E_SCREW		*		1
74	70000735	FINGER GUARD		*		1
75	40172531	PRESSER ARM STOPPER				1
76	40178005	E_SCREW				1
77	70000561	E_SCREW				1
78	70000349	WASHER				1

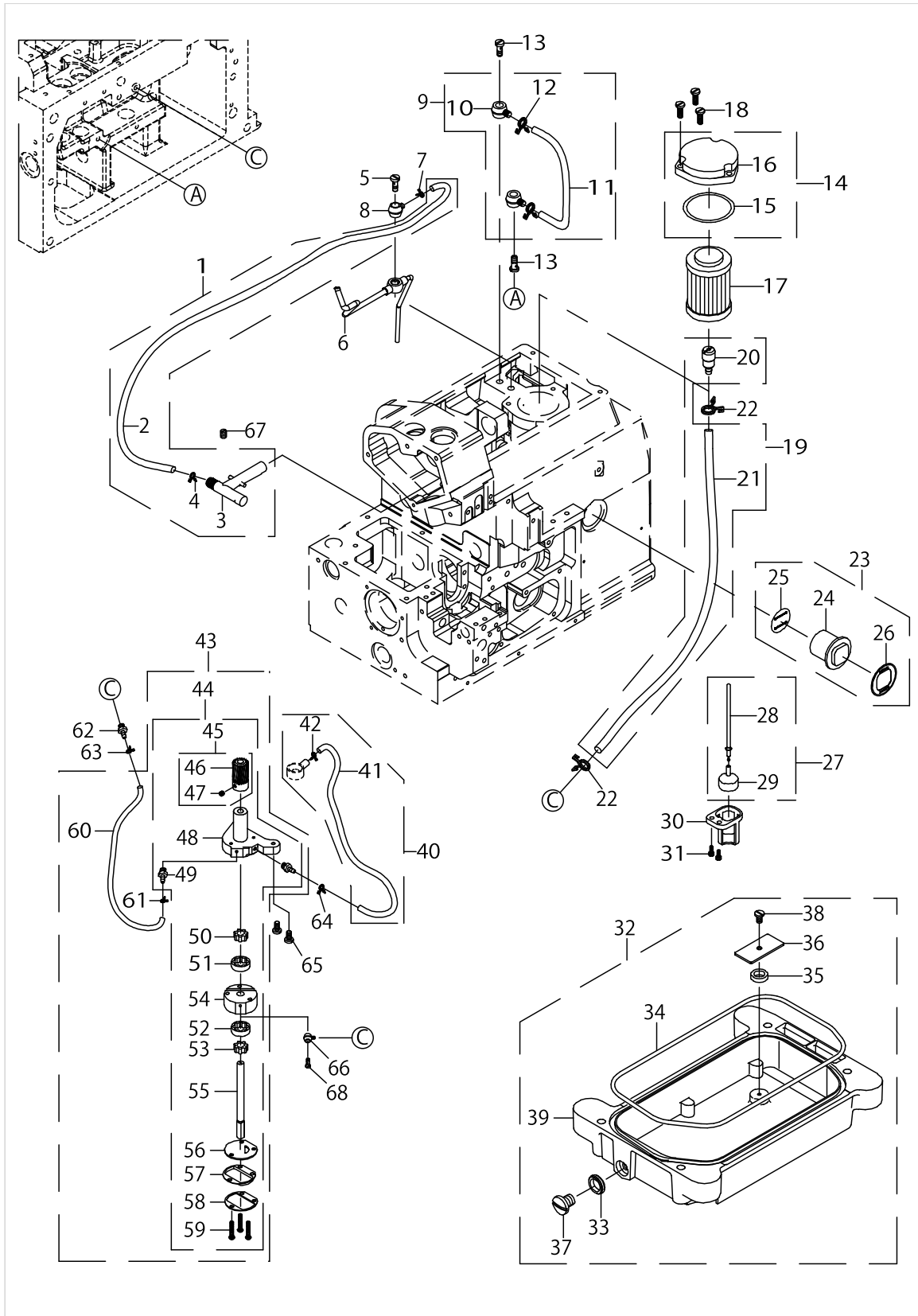
LUBRICATION MECHANISM COMPONENTS



LUBRICATION MECHANISM COMPONENTS

No.	Parts No.	Parts name	Remarks	Level	Cons	Qty
1	70000327	OIL TUBU GROUP				1
2	70000326	HOSE		*		1
3	70000631	OIL TUBE		*		1
4	70000658	SPRING CLAMP		*		1
5	70000534	E_SCREW				1
6	70000693	COPPER TUBE				1
7	70000658	SPRING CLAMP				1
8	40159760	JOINT				1
9	70000329	HOSE COMB.				1
10	70000323	JOINT		*		2
11	70000325	HOSE		*		1
12	70000658	SPRING CLAMP		*		2
13	70000532	E_SCREW				2
14	70000675	OIL FILTER				1
15	70000144	O-RING		*		1
16	70000674	OIL FILTER COVER		*		1
17	70000312	OIL FILTER				1
18	70000520	E_SCREW				3
19	70000328	OIL TUBE COMB				1
20	70000428	JOINT		*		1
21	70000326	HOSE		*		1
22	70000658	SPRING CLAMP				2
23	40159762	OIL LEVEL INSPECTION LENS COMB.				1
24	70000157	OIL LEVEL INSPECTION LENS		*		1
25	70000158	NAME PLATE		*		1
26	40159761	NAME PLATE		*		1
27	70000160	OIL INDICATOR ROD COMB.				1
28	70000159	OIL INDICATOR ROD		*		1
29	70000261	OIL INDICATOR		*		1
30	70000262	BAFFLE				1
31	70000521	E_SCREW				2
32	40159764	OIL RESERVOIR COMB.				1
33	70000146	OIL SEAL		*		1
34	70000273	O-RING		*		1
35	70000381	MAGNET		*		1
36	70000382	BAFFLE		*		1
37	70000533	E_SCREW		*		1
38	70000518	E_SCREW		*		1
39	40159763	OIL RESERVOIR COMB.		*		1
40	70000267	HOSE COMB.				1
41	70000318	HOSE		*		1
42	70000657	SPRING CLAMP		*		1
43	70000716	PUMP COMB.				1
44	70000715	PUMP COMB.		*		1
45	70000260	GEAR		*		1
46	70000258	WORM WHEEL		*		1
47	70000582	M_SCREW		*		1

LUBRICATION MECHANISM COMPONENTS

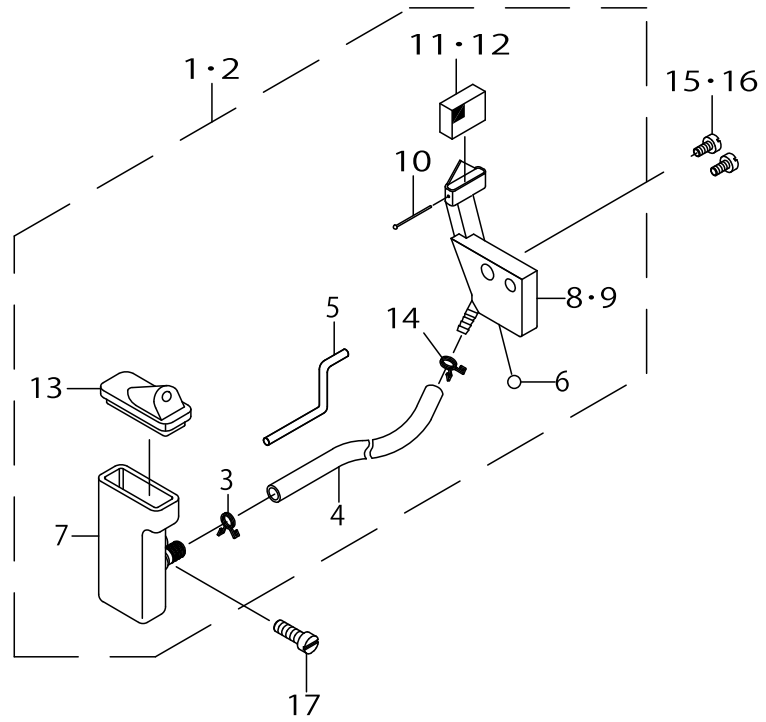


LUBRICATION MECHANISM COMPONENTS

No.	Parts No.	Parts name	Remarks	Level	Cons	Qty
48	70000713	PUMP BODY		*		1
49	70000322	JOINT		*		2
50	40159765	GEAR		*		1
51	70000148	GEAR		*		1
52	70000148	GEAR		*		1
53	40159765	GEAR		*		1
54	70000714	PUMP BODY		*		1
55	70000712	SHAFT		*		1
56	70000717	PUMP COVER		*		1
57	70000710	FILTER NET		*		1
58	70000711	GASKET		*		1
59	70000575	M_SCREW		*		3
60	70000324	HOSE		*		1
61	70000657	SPRING CLAMP		*		1
62	70000322	JOINT				1
63	70000657	SPRING CLAMP				1
64	70000657	SPRING CLAMP				1
65	70000527	E_SCREW				2
66	70000323	JOINT				1
67	70000522	E_SCREW				1
68	70000532	E_SCREW				1

NEEDLE COOLER UNIT COMPONENTS

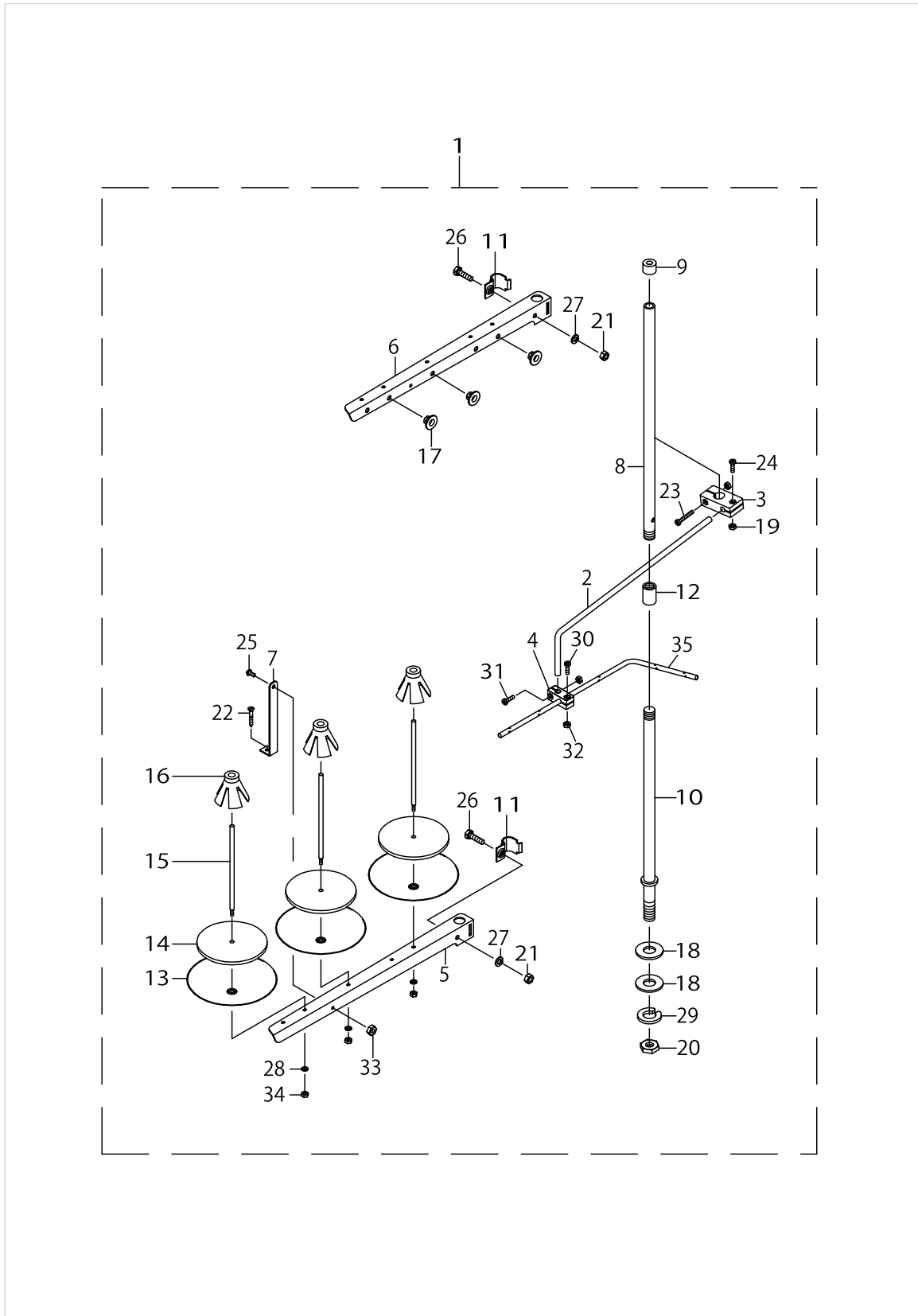
MODEL	04S/14S	16S/43S
PARTS NO	11	12
	8	9
	1	2
	15	16



NEEDLE COOLER UNIT COMPONENTS

No.	Parts No.	Parts name	Remarks	Level	Cons	Qty
1	40159772	OILER	FOR 04S,14S			1
2	40159775	OILER	FOR 16S,43S			1
3	70000658	SPRING CLAMP		*		1
4	40159768	HOSE		*		1
5	40159769	OIL WICK		*		1
6	40159770	BALL		*		1
7	40159771	OILER		*		1
8	40159776	DIVIDING SEAT	FOR 04S,14S	*		1
9	40159774	DIVIDING SEAT	FOR 16S,43S	*		1
10	40159778	NAIL		*		1
11	40159777	OIL FELT	FOR 04S,14S	*		1
12	40159773	OIL FELT	FOR 16S,43S	*		1
13	40159779	OILER COVER		*		1
14	70000658	SPRING CLAMP		*		1
15	70000526	E_SCREW	FOR 04S,14S			1
16	70001060	E_SCREW	FOR 16S,43S			2
17	70000518	E_SCREW				1

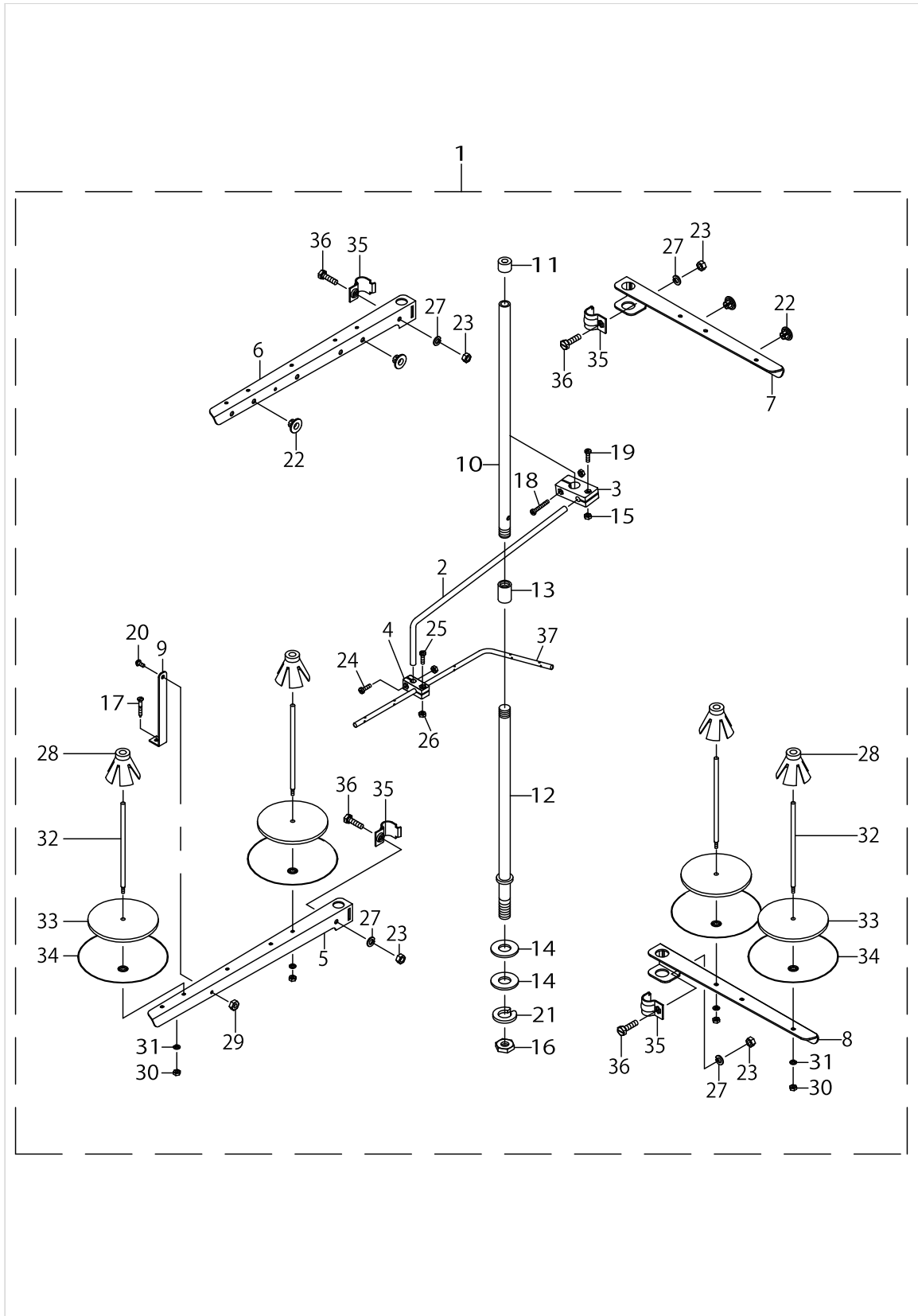
THREAD STAND COMPONENTS (FOR MO-6804S)



THREAD STAND COMPONENTS (FOR MO-6804S)

No.	Parts No.	Parts name	Remarks	Level	Cons	Qty
1	40179483	THREAD STAND COMB.				1
2	70000179	THREAD GUIDE BAR		*		1
3	70000180	FIXED SEAT		*		1
4	70000181	FIXED SEAT		*		1
5	70000182	THREAD GUIDE BAR		*		1
6	70000183	THREAD GUIDE BAR		*		1
7	70000186	SUPPORTER		*		1
8	70000188	THREAD STAND ROD		*		1
9	70000189	THREAD STAND COVER		*		1
10	70000190	THREAD STAND ROD		*		1
11	70000191	FIXED PLATE		*		2
12	70000192	CONNECTING LOOP		*		1
13	70000215	COILING SEAT		*		3
14	70000216	SPONGY CUSHION		*		3
15	70000217	CONNECTING LOOP		*		3
16	70000218	THREAD STEADY BALL SEAT		*		3
17	70000219	PLUG		*		3
18	70000354	WASHER		*		2
19	70000454	NUT		*		2
20	70000455	NUT		*		1
21	70000456	NUT		*		2
22	70000547	E_SCREW		*		1
23	70000579	M_SCREW		*		1
24	70000580	M_SCREW		*		1
25	70000581	M_SCREW		*		1
26	70000589	M_SCREW		*		2
27	70000611	WASHER		*		2
28	70000615	WASHER		*		3
29	70000618	WASHER		*		1
30	70000580	M_SCREW		*		1
31	70000580	M_SCREW		*		1
32	70000454	NUT		*		2
33	70000454	NUT		*		1
34	70000454	NUT		*		3
35	70000178	THREAD GUIDE PLATE		*		1

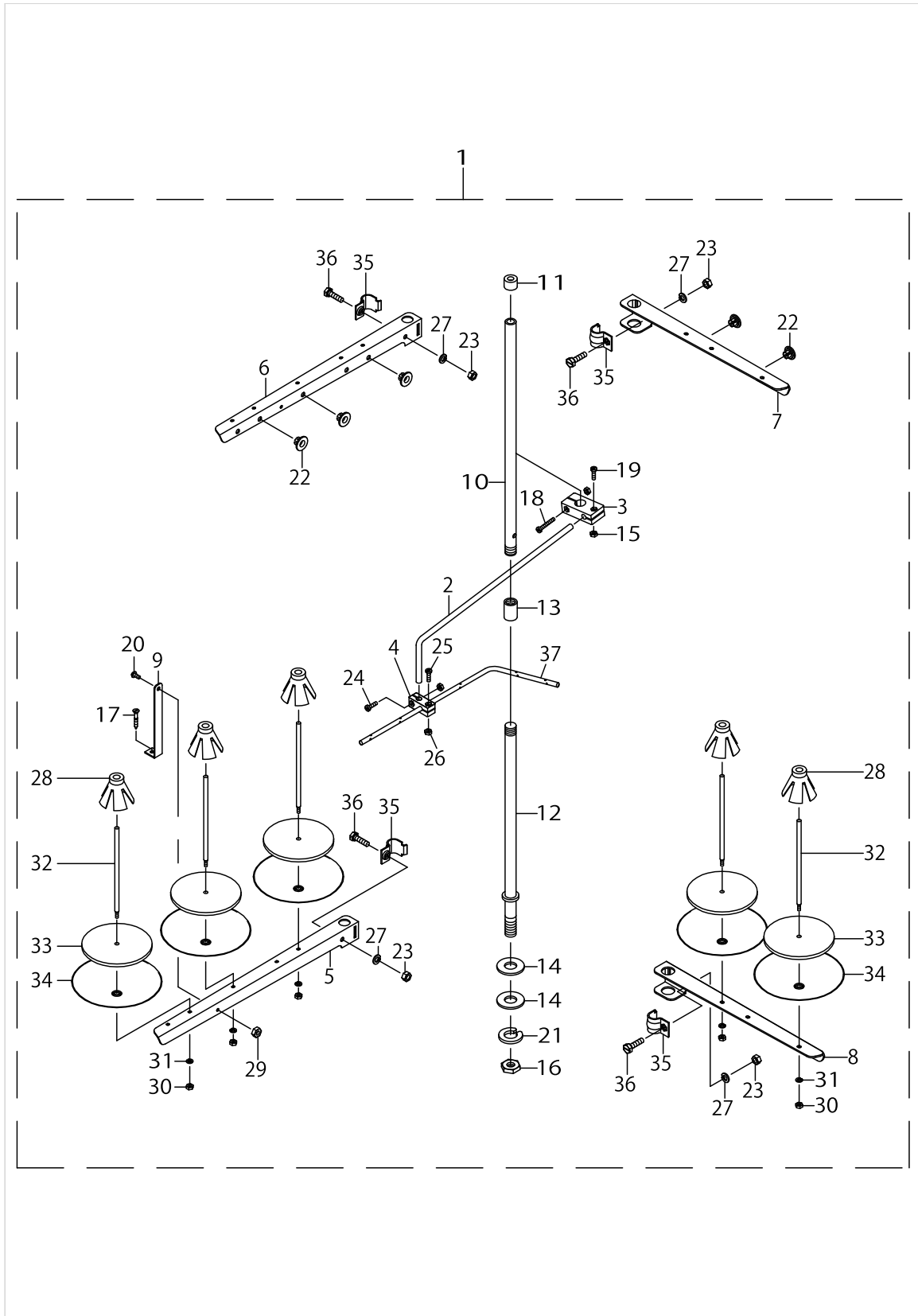
THREAD STAND COMPONENTS (FOR MO-6814S)



THREAD STAND COMPONENTS (FOR MO-6814S)

No.	Parts No.	Parts name	Remarks	Level	Cons	Qty
1	40179484	THREAD STAND COMB.				1
2	70000179	THREAD GUIDE BAR		*		1
3	70000180	FIXED SEAT		*		1
4	70000181	FIXED SEAT		*		1
5	70000182	THREAD GUIDE BAR		*		1
6	70000183	THREAD GUIDE BAR		*		1
7	70000184	THREAD GUIDE BAR		*		1
8	70000185	THREAD GUIDE BAR		*		1
9	70000186	SUPPORTER		*		1
10	70000188	THREAD STAND ROD		*		1
11	70000189	THREAD STAND COVER		*		1
12	70000190	THREAD STAND ROD		*		1
13	70000192	CONNECTING LOOP		*		1
14	70000354	WASHER		*		2
15	70000454	NUT		*		2
16	70000455	NUT		*		1
17	70000547	E_SCREW		*		1
18	70000579	M_SCREW		*		1
19	70000580	M_SCREW		*		1
20	70000581	M_SCREW		*		1
21	70000618	WASHER		*		1
22	70000219	PLUG		*		4
23	70000456	NUT		*		4
24	70000580	M_SCREW		*		1
25	70000580	M_SCREW		*		1
26	70000454	NUT		*		2
27	70000611	WASHER		*		4
28	70000218	THREAD STEADY BALL SEAT		*		4
29	70000454	NUT		*		1
30	70000454	NUT		*		4
31	70000615	WASHER		*		4
32	70000217	CONNECTING LOOP		*		4
33	70000216	SPONGY CUSHION		*		4
34	70000215	COILING SEAT		*		4
35	70000191	FIXED PLATE		*		4
36	70000589	M_SCREW		*		4
37	70000178	THREAD GUIDE PLATE		*		1

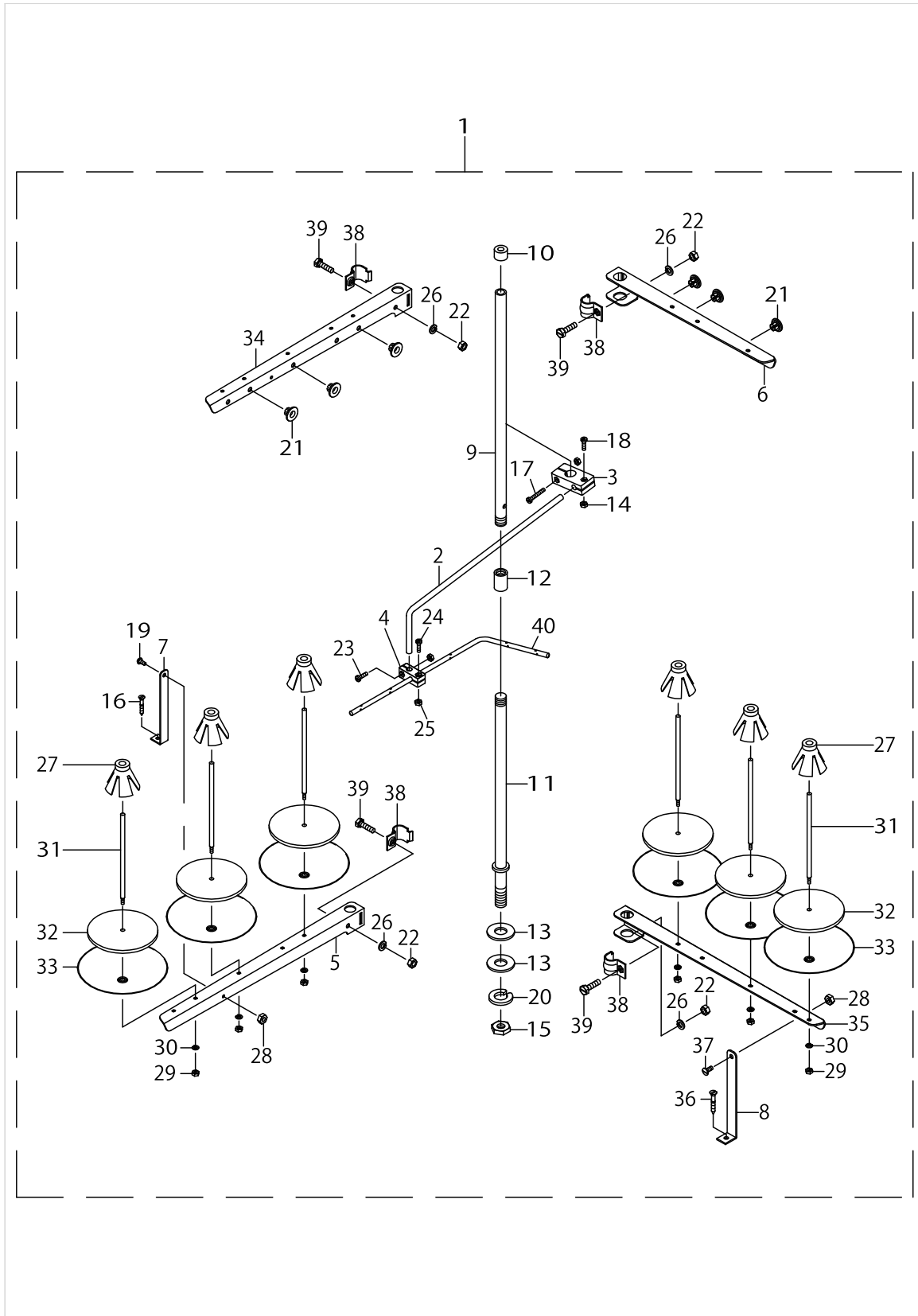
THREAD STAND COMPONENTS (FOR MO-6816S)



THREAD STAND COMPONENTS (FOR MO-6816S)

No.	Parts No.	Parts name	Remarks	Level	Cons	Qty
1	40179485	THREAD STAND COMB.				1
2	70000179	THREAD GUIDE BAR		*		1
3	70000180	FIXED SEAT		*		1
4	70000181	FIXED SEAT		*		1
5	70000182	THREAD GUIDE BAR		*		1
6	70000183	THREAD GUIDE BAR		*		1
7	70000184	THREAD GUIDE BAR		*		1
8	70000185	THREAD GUIDE BAR		*		1
9	70000186	SUPPORTER		*		1
10	70000188	THREAD STAND ROD		*		1
11	70000189	THREAD STAND COVER		*		1
12	70000190	THREAD STAND ROD		*		1
13	70000192	CONNECTING LOOP		*		1
14	70000354	WASHER		*		2
15	70000454	NUT		*		2
16	70000455	NUT		*		1
17	70000547	E_SCREW		*		1
18	70000579	M_SCREW		*		1
19	70000580	M_SCREW		*		1
20	70000581	M_SCREW		*		1
21	70000618	WASHER		*		1
22	70000219	PLUG		*		5
23	70000456	NUT		*		4
24	70000580	M_SCREW		*		1
25	70000580	M_SCREW		*		1
26	70000454	NUT		*		2
27	70000611	WASHER		*		4
28	70000218	THREAD STEADY BALL SEAT		*		5
29	70000454	NUT		*		1
30	70000454	NUT		*		5
31	70000615	WASHER		*		5
32	70000217	CONNECTING LOOP		*		5
33	70000216	SPONGY CUSHION		*		5
34	70000215	COILING SEAT		*		5
35	70000191	FIXED PLATE		*		4
36	70000589	M_SCREW		*		4
37	70000177	THREAD GUIDE BAR		*		1

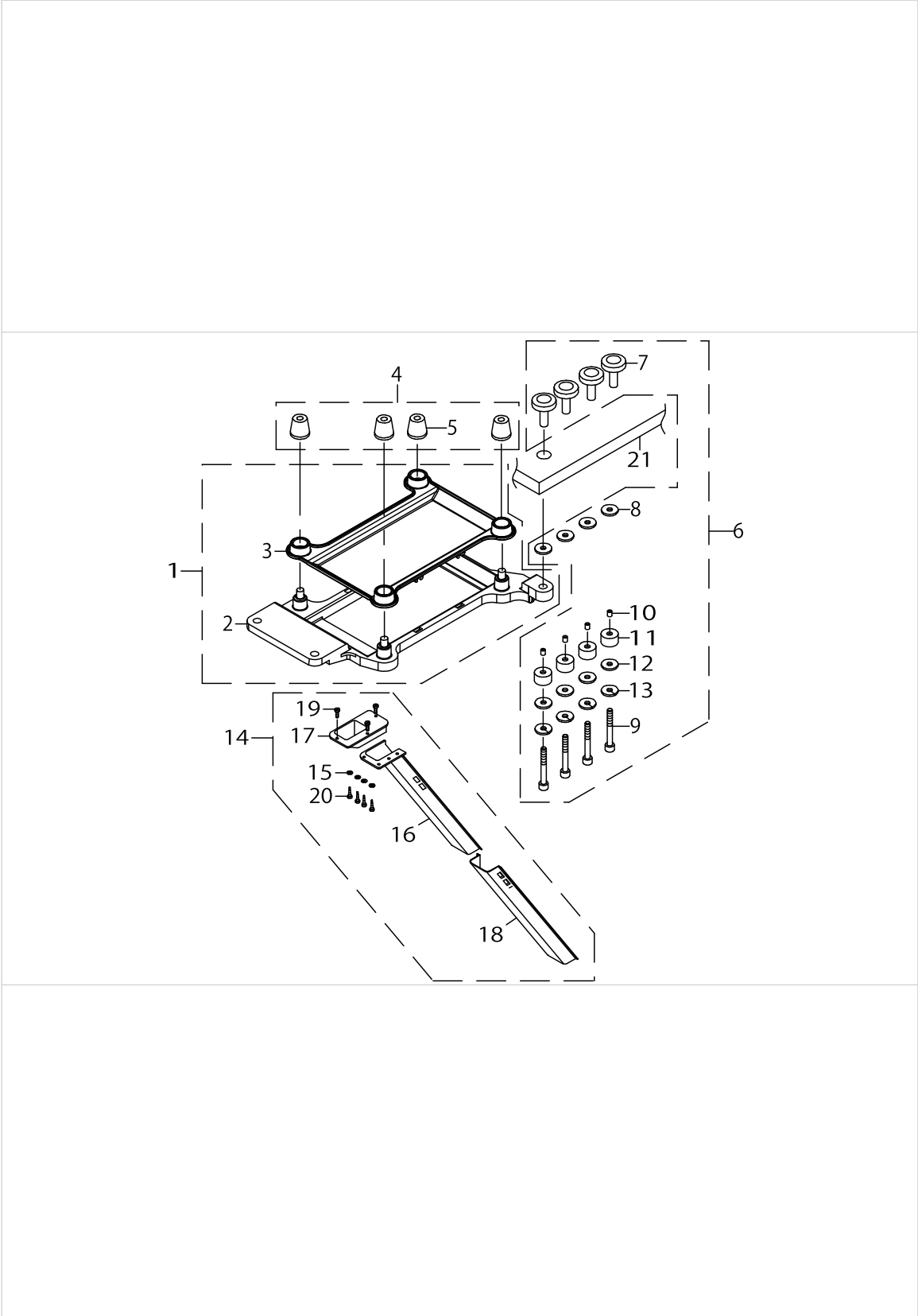
THREAD STAND COMPONENTS (FOR MO-6843S)



THREAD STAND COMPONENTS (FOR MO-6843S)

No.	Parts No.	Parts name	Remarks	Level	Cons	Qty
1	40179486	THREAD STAND COMB.				1
2	70000179	THREAD GUIDE BAR		*		1
3	70000180	FIXED SEAT		*		1
4	70000181	FIXED SEAT		*		1
5	70000182	THREAD GUIDE BAR		*		1
6	70000183	THREAD GUIDE BAR		*		1
7	70000186	SUPPORTER		*		1
8	70000187	SUPPORTER		*		1
9	70000188	THREAD STAND ROD		*		1
10	70000189	THREAD STAND COVER		*		1
11	70000190	THREAD STAND ROD		*		1
12	70000192	CONNECTING LOOP		*		1
13	70000354	WASHER		*		2
14	70000454	NUT		*		2
15	70000455	NUT		*		1
16	70000547	E_SCREW		*		1
17	70000579	M_SCREW		*		1
18	70000580	M_SCREW		*		1
19	70000581	M_SCREW		*		1
20	70000618	WASHER		*		1
21	70000219	PLUG		*		6
22	70000456	NUT		*		4
23	70000580	M_SCREW		*		1
24	70000580	M_SCREW		*		1
25	70000454	NUT		*		2
26	70000611	WASHER		*		4
27	70000218	THREAD STEADY BALL SEAT		*		6
28	70000454	NUT		*		2
29	70000454	NUT		*		6
30	70000615	WASHER		*		6
31	70000217	CONNECTING LOOP		*		6
32	70000216	SPONGY CUSHION		*		6
33	70000215	COILING SEAT		*		6
34	70000183	THREAD GUIDE BAR		*		1
35	70000182	THREAD GUIDE BAR		*		1
36	70000547	E_SCREW		*		1
37	70000581	M_SCREW		*		1
38	70000191	FIXED PLATE		*		4
39	70000589	M_SCREW		*		4
40	70000177	THREAD GUIDE BAR		*		1

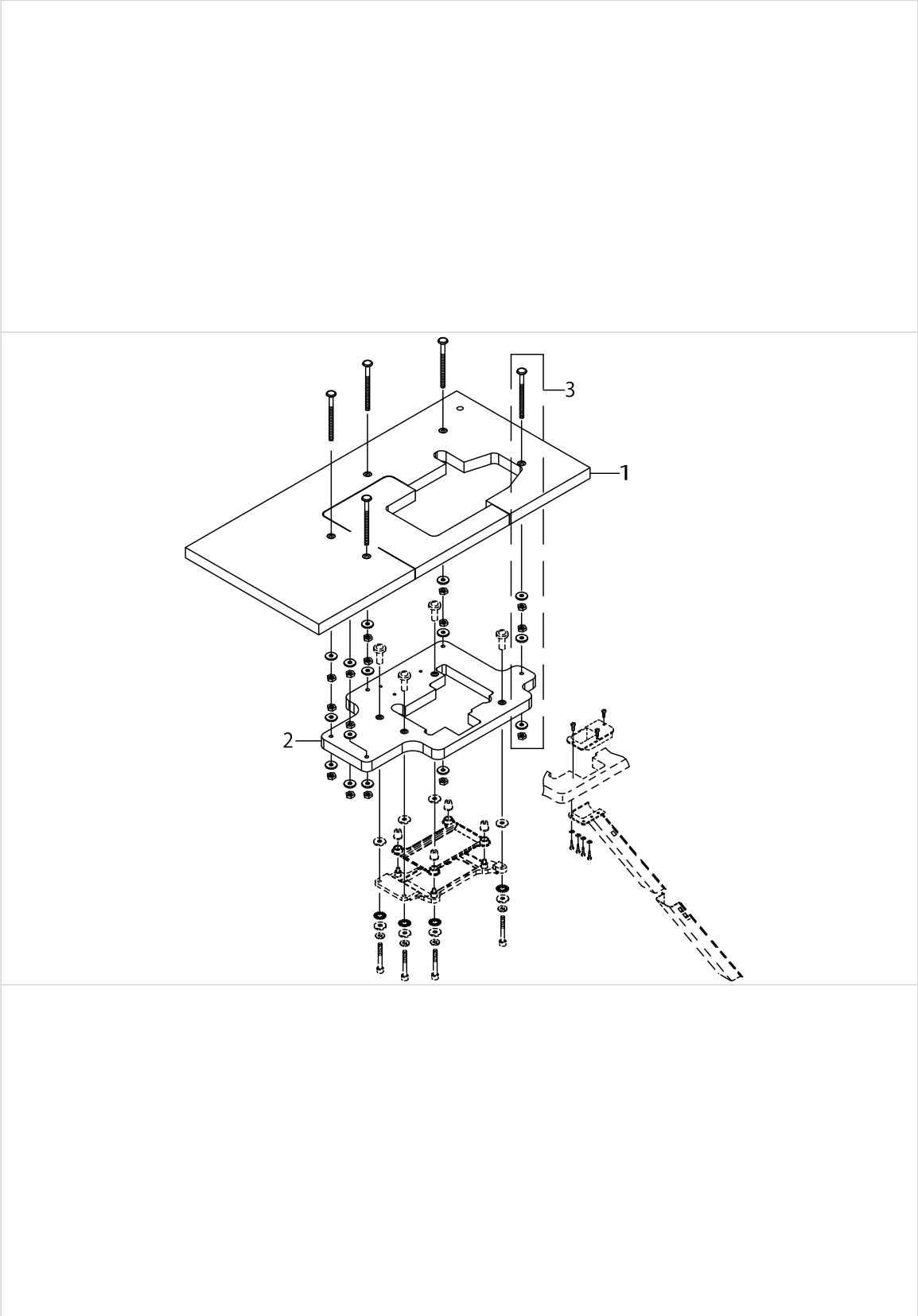
SEMI-SUNKEN TYPE TABLE COMPONENTS



SEMI-SUNKEN TYPE TABLE COMPONENTS

No.	Parts No.	Parts name	Remarks	Level	Cons	Qty
1	70000264	CHASSIS				1
2	70000263	CHASSIS		*		1
3	70000438	RUBBER PAD		*		1
4	70000340	RUBBER BLOCK				1
5	70000338	RUBBER BLOCK		*		4
6	70000265	BOLT COMB.				1
7	70000332	FIXED SHAFT		*		4
8	70000339	RUBBER BLOCK		*		4
9	70000707	BOLT		*		4
10	40159780	GASKET		*		4
11	40159781	GASKET		*		4
12	70000348	WASHER		*		4
13	70000617	WASHER		*		4
14	70000484	WASTE FABRIC CHUTE COMB.				1
15	70000352	WASHER		*		4
16	70000482	WASTE FABRIC CHUTE		*		1
17	70000483	WASTE FABRIC CHUTE		*		1
18	70000485	WASTE FABRIC CHUTE		*		1
19	70000540	E_SCREW		*		3
20	70000541	E_SCREW		*		4
21	70000854	TABLE				1

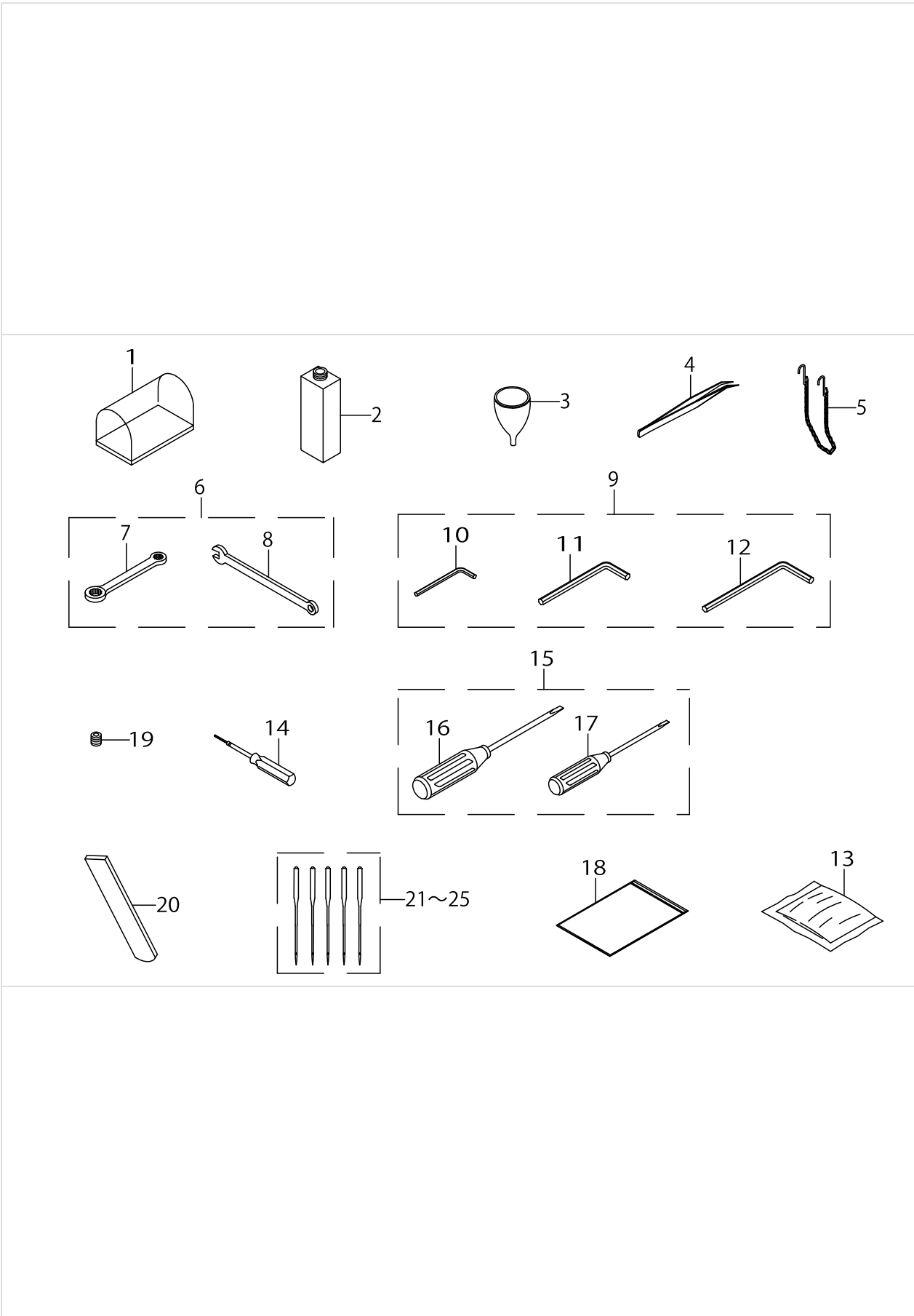
FULLY-SUNKEN TYPE TABLE COMPONENTS



FULLY-SUNKEN TYPE TABLE COMPONENTS

No.	Parts No.	Parts name	Remarks	Level	Cons	Qty
1	70000444	TABLE				1
2	70000706	FIXED TABLE				1
3	70000884	BOLT ASM.	FIVE PARTS ENCLOSED WITH THE DOTTED LINEARE ENCLOSED			1

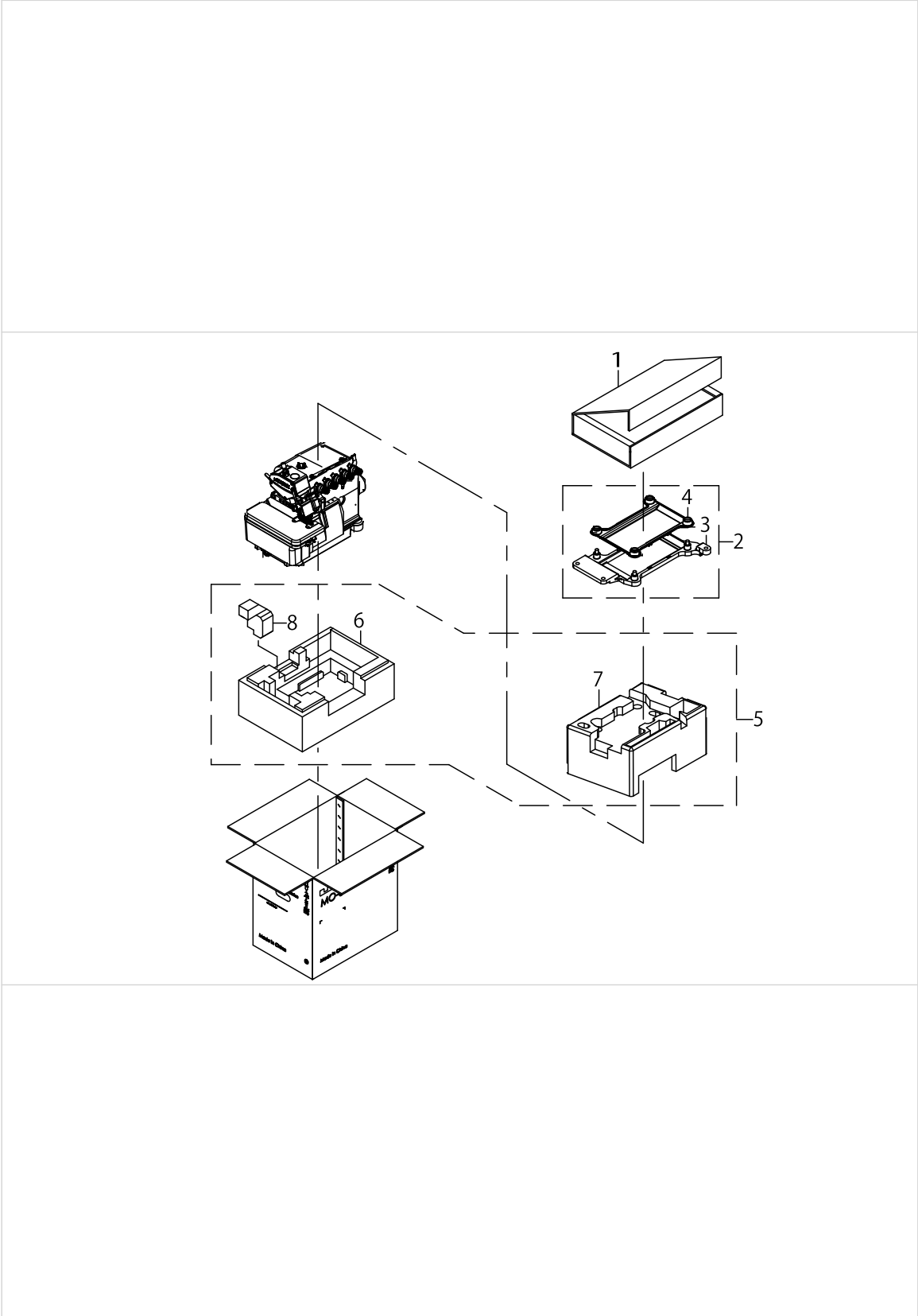
ACCESSORIES PARTS COMPONENTS



ACCESSORIES PARTS COMPONENTS

No.	Parts No.	Parts name	Remarks	Level	Cons	Qty
1	40159786	HEAD COVER				1
2	40159785	SEWING OIL J18(3)				1
3	70000757	FUNNEL				1
4	70000759	TWEEZERS				1
5	70000760	CHAIN				1
6	40159796	SPANNER COMB.				1
7	40159794	RING SPANNER		*		1
8	40159795	SPANNER		*		1
9	40159793	HEXAGONAL ROD SPANNER KEY COMB.				1
10	40159789	HEXAGONAL ROD SPANNER KEY		*		1
11	40159790	HEXAGONAL ROD SPANNER KEY		*		1
12	40159791	HEXAGONAL ROD SPANNER KEY		*		1
13	70000763	DESICCATIVE				1
14	70000758	HEXAGON SCREWDRIVER				1
15	40159792	SCREW DRIVER COMB.				1
16	40159787	SCREW DRIVER		*		1
17	40159788	SCREW DRIVER		*		1
18	70000761	TOOL BAG				1
19	70000498	E_SCREW				1
20	70000399	KNIFE				1
21	MDC270B1100	NEEDLE DCX27 #11				5
22	MDC270B0800	NEEDLE DCX27 #8	FOR 04S-150			5
23	MDC270B0900	NEEDLE DCX27 #9	FOR 14S-24H			5
24	MDC270B1400	NEEDLE DCX27 #14	FOR 14S-44H,43S			5
25	MDC270B1600	NEEDLE DCX27 #16	FOR 16S-50H			5
26	MDC270B2100	NEEDLE DCX27 #21	FOR 16S-60H			5
27	40178596	KNIFE	FOR 16S-60H			1

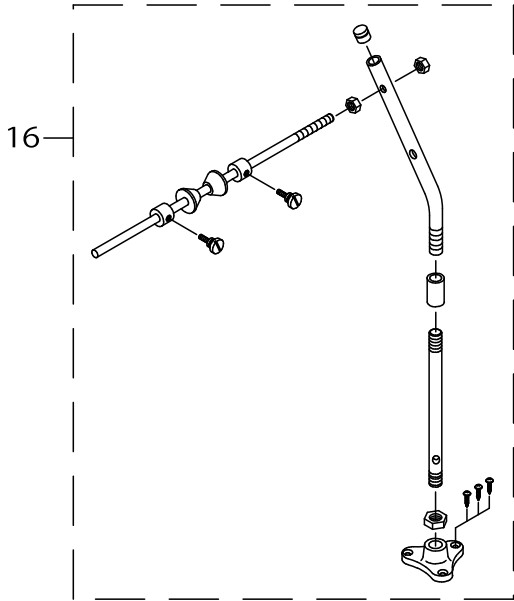
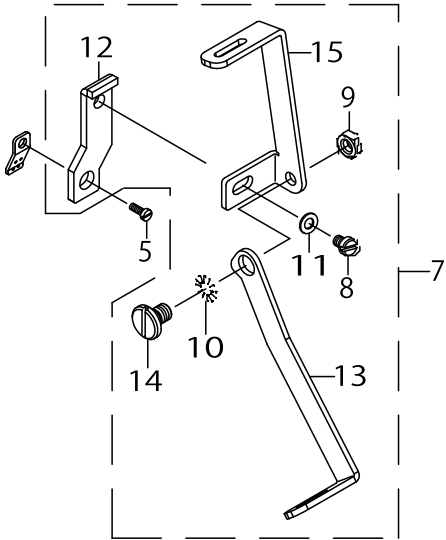
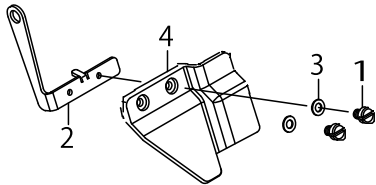
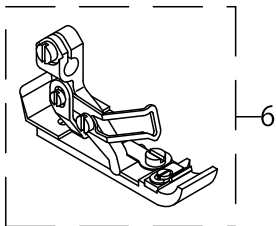
PACKING COMPONENTS



PACKING COMPONENTS

No.	Parts No.	Parts name	Remarks	Level	Cons	Qty
1	40159800	THREAD STAND				1
2	70000264	CHASSIS				1
3	70000263	CHASSIS		*		1
4	70000438	RUBBER PAD		*		1
5	40159803	POLYSTYRENE				1
6	70000767	POLYSTYRENE		*		1
7	40159801	POLYSTYRENE		*		1
8	40159802	POLYSTYRENE		*		1

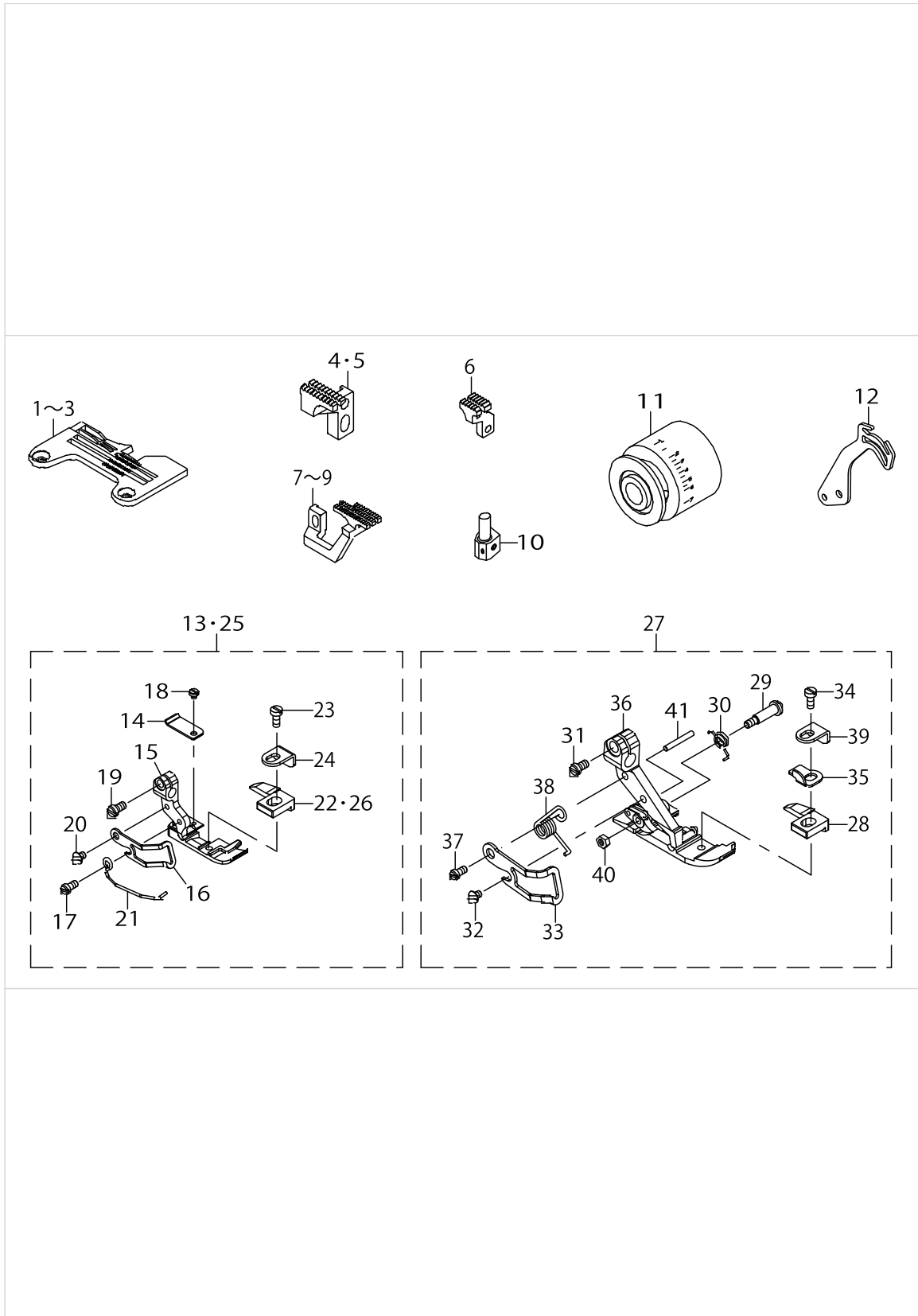
TAPE INSERTION COMPONENTS



TAPE INSERTION COMPONENTS

No.	Parts No.	Parts name	Remarks	Level	Cons	Qty
1	70000908	M_SCREW				2
2	40159574	SAFETY PLATE BRACKET				1
3	40159576	WASHER				2
4	40159810	SAFETY PLATE				1
5	70000549	E_SCREW				1
6	40159817	PRESSER FOOT				1
7	40159815	TAPE GUIDE COMB.				1
8	70000908	M_SCREW		*		1
9	70000452	NUT		*		1
10	70000359	WASHER		*		1
11	40159576	WASHER		*		1
12	40159811	TAPE GUIDE		*		1
13	40159813	TAPE GUIDE		*		1
14	40159814	E_SCREW		*		1
15	40159812	TAPE GUIDE		*		1
16	70000098	TAPE HOLDER	OPTIONAL PARTS			1

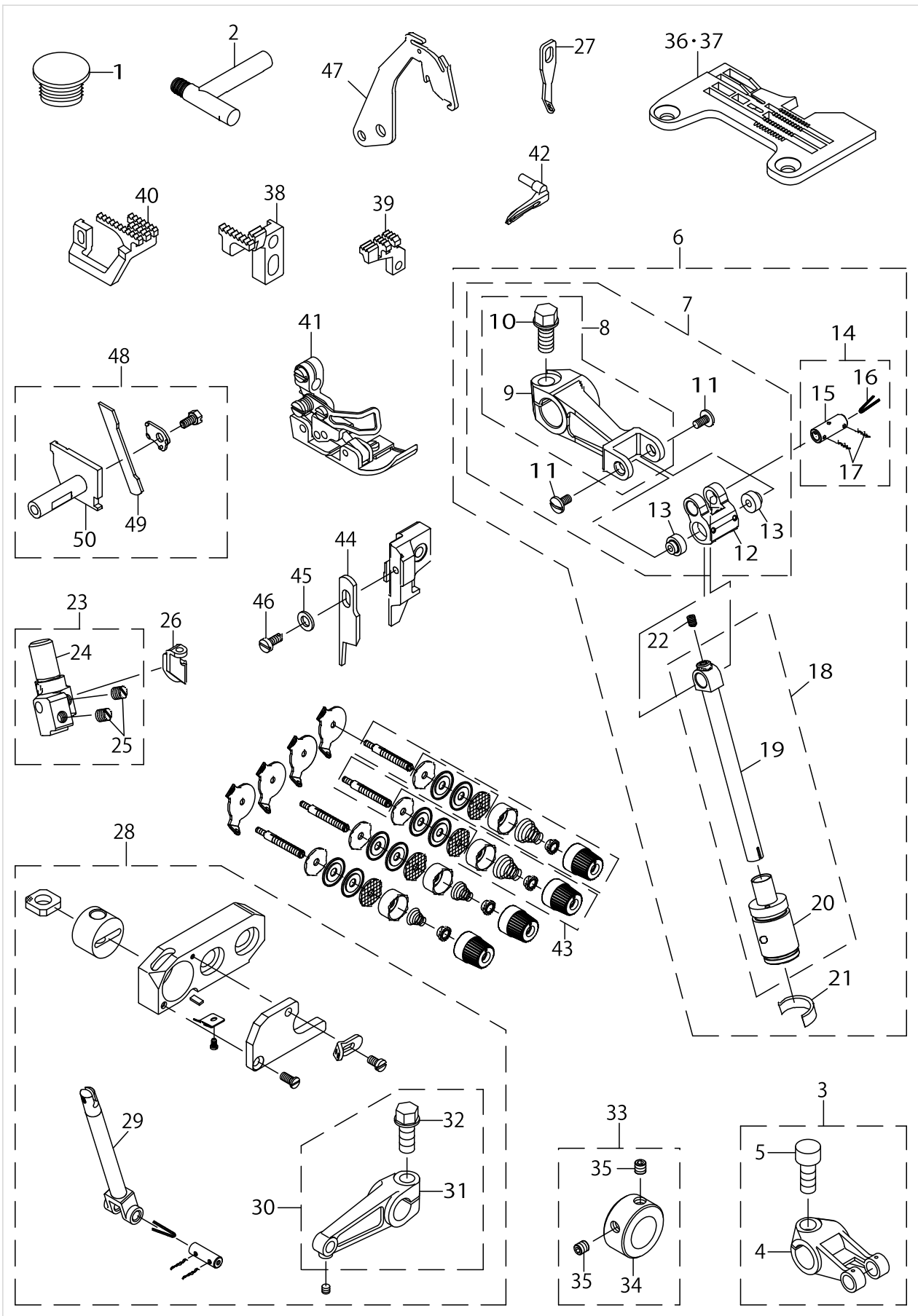
30P COMPONENTS



30P COMPONENTS

No.	Parts No.	Parts name	Remarks	Level	Cons	Qty
1	40164048	THROAT PLATE	FOR 14S-BE6-30P			1
2	40164047	THROAT PLATE	FOR 14S-BB6-30P			1
3	40164049	THROAT PLATE	FOR 16S-DE4-30P			1
4	40164050	FEED DOG	FOR 14S-BE6-30P,14S-BB6-30P			1
5	40164052	FEED DOG	FOR 16S-DE4-30P			1
6	40164051	FEED DOG	FOR 14S-BE6-30P,14S-BB6-30P, 16S-DE4-30P			1
7	40164044	FEED DOG	FOR 14S-BE6-30P			1
8	40164046	FEED DOG	FOR 14S-BB6-30P			1
9	40164045	FEED DOG	FOR 16S-DE4-30P			1
10	40164055	NEEDLE CLAMP	FOR 14S-BE6-30P,14S-BB6-30P			1
11	40164058	HAND WHEEL(30P)	FOR 14S-BE6-30P,14S-BB6-30P, 16S-DE4-30P			1
12	40164056	THREAD TAKE-UP LEVER	FOR 14S-BE6-30P,14S-BB6-30P			1
13	40164021	PRESSER FOOT ASM.	FOR 14S-BE6-30P			1
14	40164026	REAR PRESSER FOOT	FOR 14S-BE6-30P,14S-BB6-30P	*		1
15	40164027	PRESSER FOOT HINGE	FOR 14S-BE6-30P,14S-BB6-30P	*		1
16	70000735	FINGER GUARD	FOR 14S-BE6-30P,14S-BB6-30P	*		1
17	70000500	E_SCREW	FOR 14S-BE6-30P,14S-BB6-30P	*		1
18	70000496	E_SCREW	FOR 14S-BE6-30P,14S-BB6-30P	*		1
19	70000505	E_SCREW	FOR 14S-BE6-30P,14S-BB6-30P	*		1
20	70000538	E_SCREW	FOR 14S-BE6-30P,14S-BB6-30P	*		1
21	40164028	PRESSER FOOT ARM SPRING	FOR 14S-BE6-30P,14S-BB6-30P	*		1
22	40164024	STITCH TONGUE	FOR 14S-BE6-30P	*		1
23	70000558	E_SCREW	FOR 14S-BE6-30P,14S-BB6-30P	*		1
24	40164053	PRESSER FOOT 514_30P	FOR 14S-BE6-30P,14S-BB6-30P	*		1
25	40164020	PRESSER FOOT ASM.	FOR 14S-BB6-30P			1
26	40164023	STITCH TONGUE	FOR 14S-BB6-30P	*		1
27	40164029	PRESSER FOOT ASM.	FOR 16S-DE4-30P			1
28	40164032	STITCH TONGUE	FOR 16S-DE4-30P	*		1
29	40164039	HINGE SCREW	FOR 16S-DE4-30P	*		1
30	40164037	SPRING	FOR 16S-DE4-30P	*		1
31	70000505	E_SCREW	FOR 16S-DE4-30P	*		1
32	70000538	E_SCREW	FOR 16S-DE4-30P	*		1
33	40164034	FINGER GUARD	FOR 16S-DE4-30P	*		1
34	40159855	E_SCREW	FOR 16S-DE4-30P	*		1
35	40164036	SPRING	FOR 16S-DE4-30P	*		1
36	40164038	PRESSER FOOT HINGE	FOR 16S-DE4-30P	*		1
37	70000500	E_SCREW	FOR 16S-DE4-30P	*		1
38	40164033	PRESSER FOOT ARM SPRING	FOR 16S-DE4-30P	*		1
39	40164035	PRESSER FOOT	FOR 16S-DE4-30P	*		1
40	40164043	NUT	FOR 16S-DE4-30P	*		1
41	40164042	PIN	FOR 16S-DE4-30P	*		1

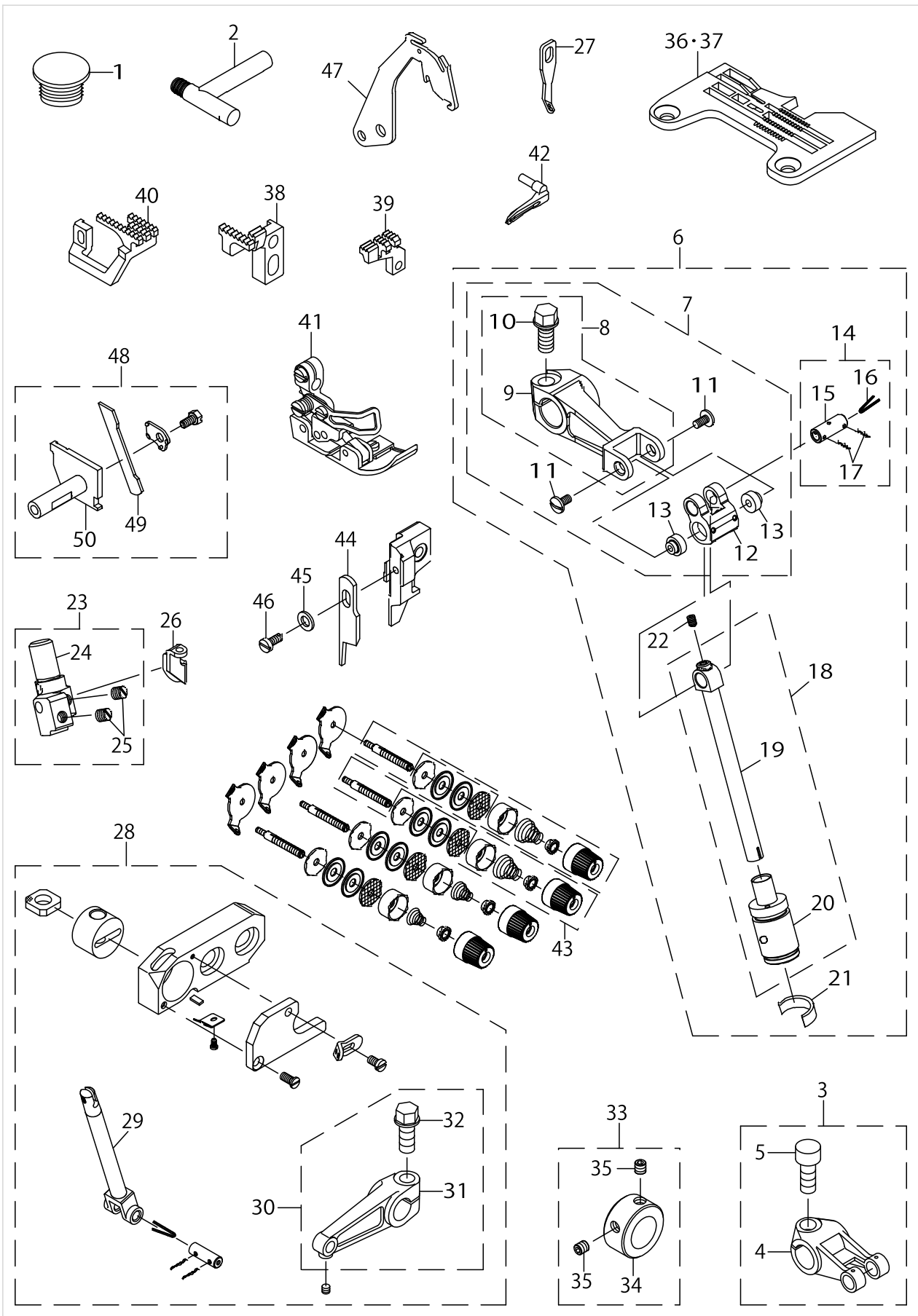
60H COMPONENTS



60H COMPONENTS

No.	Parts No.	Parts name	Remarks	Level	Cons	Qty
1	40178574	RUBBER PLUG				1
2	40178575	OIL TUBE				1
3	40178605	NEEDLE BAR ROCKER COMB.				1
4	40178576	NEEDLE BAR ROCKER		*		1
5	70000588	M_SCREW		*		1
6	40178606	NEEDLE BAR COMB.				1
7	40178607	NEEDLE BAR COMB.		*		1
8	40178609	CONNECTING ROD COMB.		*		1
9	40178577	CONNECTING ROD		*		1
10	70000593	M_SCREW		*		1
11	40178578	M_SCREW		*		2
12	40178579	NEEDLE DRIVING LINK		*		1
13	40178580	NEEDLE DRIVING ARM PIN		*		2
14	40178608	SHAFT COMB.		*		1
15	40178584	SHAFT		*		1
16	70000729	OIL WICK		*		1
17	70000728	OIL YARN		*		2
18	40178616	NEEDLE BAR COMB.		*		1
19	40178581	NEEDLE BAR		*		1
20	40178583	BUSHING		*		1
21	70000676	OIL FELT		*		1
22	40178582	M_SCREW		*		1
23	70000804	NEEDLE CLAMP				1
24	40159613	NEEDLE CLAMP		*		1
25	70000498	E_SCREW		*		2
26	40178586	THREAD CROSSING				1
27	40179600	THREAD GUIDE				1
28	40178611	CONNECTING ROD SEAT COMB.				1
29	40178613	LOOPER CONNECTING ROD COMB.		*		1
30	40178612	CONNECTING ROD COMB.		*		1
31	40178588	CONNECTING ROD		*		1
32	70000593	M_SCREW		*		1
33	40178610	COLLAR COMB.				1
34	40178587	COLLAR		*		1
35	70000522	E_SCREW		*		2
36	40178593	THROAT PLATE	FOR MO-6816S-FF6-60H			1
37	40178594	THROAT PLATE	FOR MO-6816S-FH6-60H			1
38	40178597	FEED DOG				1
39	40178598	FEED DOG				1
40	40178599	FEED DOG				1
41	40178595	PRESSER FOOT ASM.				1
42	40178592	LOOPER				1
43	40178615	THREAD TENSION COMB. (Y2)				1
44	40159725	KNIFE				1
45	70000350	WASHER				1
46	70000508	E_SCREW				1
47	40178585	THREAD TAKE-UP LEVER				1


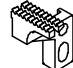


60H COMPONENTS







60H COMPONENTS

No.	Parts No.	Parts name	Remarks	Level	Cons	Qty
48	40178617	KNIFE SEAT COMB.				1
49	40178596	KNIFE		*		1
50	40178600	KNIFE SEAT		*		1

MO-6800S GAUGE TABLE


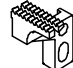


								
MODEL	THROAT PLATE		FEED DOG		FEED DOG		FEED DOG	
	NO		NO		NO		NO	
MO-6804S-0E4-30H	1	401-59827	23	401-59820	45	700-00782	67	401-59836
MO-6804S-0A4-150	2	401-59825	24	401-59820	46	700-00784	68	401-59836
MO-6814S-BD6-30H	3	401-59828	25	401-59822	47	700-00782	69	401-59837
MO-6814S-BD6-24H/G44/Q143	4	401-59828	26	401-59822	48	700-00782	70	401-59837
MO-6814S-BD6-34H	5	401-59828	27	401-59822	49	700-00782	71	401-59837
MO-6814S-BE6-24H/G44/Q143	6	401-59829	28	401-59822	50	700-00782	72	401-59837
MO-6814S-BE6-34H	7	401-59829	29	401-59822	51	700-00782	73	401-59837
MO-6814S-BE6-40H	8	401-59829	30	401-59822	52	700-00782	74	401-59837
MO-6814S-BE6-44H/G44/Q143	9	401-59829	31	401-59822	53	700-00782	75	401-59837
MO-6814S-BB6-30P	10	401-64047	32	401-64050	54	700-00782	76	401-64046
MO-6814S-BE6-30P	11	401-64048	33	401-64050	55	700-00782	77	401-64044
MO-6816S-DE4-30H-E35	12	401-69858	34	401-69860	56	700-00782	78	401-69861
MO-6816S-DE6-30H	13	401-59830	35	401-59821	57	700-00782	79	401-59838
MO-6816S-FF6-30H	14	401-59831	36	401-59821	58	700-00782	80	401-59839
MO-6816S-FF6-50H	15	401-59834	37	401-59821	59	700-00782	81	401-59839
MO-6816S-FH6-50H	16	401-59835	38	401-59821	60	700-00782	82	401-59839
MO-6816S-FF6-60H	17	401-78593	39	401-78597	61	401-78598	83	401-78599
MO-6816S-FH6-60H	18	401-78594	40	401-78597	62	401-78598	84	401-78599
MO-6816S-DE4-30P	19	401-64049	41	401-64052	63	700-00782	85	401-64045
MO-6843S-1D6-40H	20	401-59833	42	401-59821	64	700-00782	86	401-59839
MO-6843S-2D6-40H	21	401-59832	43	401-59821	65	700-00782	87	401-59839
MO-6845S-FF6-360-N075	22	401-59826	44	401-59823	66	401-59824	88	401-59840





								
MODEL	PRESSER FOOT		LOOPER		NEEDLE CLAMP		NEEDLE	
	NO		NO		NO			
MO-6804S-0E4-30H	89	401-59844	111	700-00798	132	700-00801	DCX27#11	
MO-6804S-0A4-150	90	401-59842	112	700-00798	133	700-00801	DCX27#8	
MO-6814S-BD6-30H	91	401-69857	113	700-00238	134	700-00802	DCX27#11*2	
MO-6814S-BD6-24H/G44/Q143	92	401-59817	114	700-00238	135	700-00802	DCX27#9*2	
MO-6814S-BD6-34H	93	401-59817	115	700-00238	136	700-00802	DCX27#11*2	
MO-6814S-BE6-24H/G44/Q143	94	401-59817	116	700-00238	137	700-00802	DCX27#9*2	
MO-6814S-BE6-34H	95	401-59817	117	700-00238	138	700-00802	DCX27#11*2	
MO-6814S-BE6-40H	96	401-59843	118	700-00799	139	700-00802	DCX27#11*2	
MO-6814S-BE6-44H/G44/Q143	97	401-59817	119	700-00799	140	700-00802	DCX27#14*2	
MO-6814S-BB6-30P	98	401-64020	120	700-00238	141	401-64055	DCX27#11*2	
MO-6814S-BE6-30P	99	401-64021	121	700-00238	142	401-64055	DCX27#11*2	
MO-6816S-DE4-30H-E35	100	401-59850	122	700-00238	143	700-00803	DCX27#11*2	
MO-6816S-DE6-30H	101	401-59850	123	700-00238	144	700-00803	DCX27#11*2	
MO-6816S-FF6-30H	102	401-59849	124	700-00238	145	700-00804	DCX27#11*2	
MO-6816S-FF6-50H	103	401-59849	125	700-00799	146	700-00804	DCX27#16*2	
MO-6816S-FH6-50H	104	401-59849	126	700-00799	147	700-00804	DCX27#16*2	
MO-6816S-FF6-60H	105	401-78595	127	401-78592	148	700-00804	DCX27#21*2	
MO-6816S-FH6-60H	106	401-78595	128	401-78592	149	700-00804	DCX27#21*2	
MO-6816S-DE4-30P	107	401-64029	129	700-00238	150	700-00803	DCX27#11*2	
MO-6843S-1D6-40H	108	401-59848	130	700-00238	151	700-00806	DCX27#11*3	
MO-6843S-2D6-40H	109	401-59847	131	700-00238	152	700-00805	DCX27#11*3	
MO-6845S-FF6-360-N075	110	700-00798			153	401-59841	DCX27#14*2	

MO-6800S GAUGE TABLE

No.	Parts No.	Parts name	Remarks	Level	Cons	Qty
1	40159827	THROAT PLATE				1
2	40159825	THROAT PLATE				1
3	40159828	THROAT PLATE				1
4	40159828	THROAT PLATE				1
5	40159828	THROAT PLATE				1
6	40159829	THROAT PLATE				1
7	40159829	THROAT PLATE				1
8	40159829	THROAT PLATE				1
9	40159829	THROAT PLATE				1
10	40164047	THROAT PLATE				1
11	40164048	THROAT PLATE				1
12	40169858	THROAT PLATE				1
13	40159830	THROAT PLATE				1
14	40159831	THROAT PLATE				1
15	40159834	THROAT PLATE				1
16	40159835	THROAT PLATE				1
17	40178593	THROAT PLATE				1
18	40178594	THROAT PLATE				1
19	40164049	THROAT PLATE				1
20	40159833	THROAT PLATE				1
21	40159832	THROAT PLATE				1
22	40159826	THROAT PLATE				1
23	40159820	FEED DOG				1
24	40159820	FEED DOG				1
25	40159822	FEED DOG				1
26	40159822	FEED DOG				1
27	40159822	FEED DOG				1
28	40159822	FEED DOG				1
29	40159822	FEED DOG				1
30	40159822	FEED DOG				1
31	40159822	FEED DOG				1
32	40164050	FEED DOG				1
33	40164050	FEED DOG				1
34	40169860	FEED DOG				1
35	40159821	FEED DOG				1
36	40159821	FEED DOG				1
37	40159821	FEED DOG				1
38	40159821	FEED DOG				1
39	40178597	FEED DOG				1
40	40178597	FEED DOG				1
41	40164052	FEED DOG				1
42	40159821	FEED DOG				1
43	40159821	FEED DOG				1
44	40159823	FEED DOG				1
45	70000782	FEED DOG				1
46	70000784	FEED DOG				1
47	70000782	FEED DOG				1

MO-6800S GAUGE TABLE





								
MODEL	THROAT PLATE		FEED DOG		FEED DOG		FEED DOG	
	NO		NO		NO		NO	
MO-6804S-0E4-30H	1	401-59827	23	401-59820	45	700-00782	67	401-59836
MO-6804S-0A4-150	2	401-59825	24	401-59820	46	700-00784	68	401-59836
MO-6814S-BD6-30H	3	401-59828	25	401-59822	47	700-00782	69	401-59837
MO-6814S-BD6-24H/G44/Q143	4	401-59828	26	401-59822	48	700-00782	70	401-59837
MO-6814S-BD6-34H	5	401-59828	27	401-59822	49	700-00782	71	401-59837
MO-6814S-BE6-24H/G44/Q143	6	401-59829	28	401-59822	50	700-00782	72	401-59837
MO-6814S-BE6-34H	7	401-59829	29	401-59822	51	700-00782	73	401-59837
MO-6814S-BE6-40H	8	401-59829	30	401-59822	52	700-00782	74	401-59837
MO-6814S-BE6-44H/G44/Q143	9	401-59829	31	401-59822	53	700-00782	75	401-59837
MO-6814S-BB6-30P	10	401-64047	32	401-64050	54	700-00782	76	401-64046
MO-6814S-BE6-30P	11	401-64048	33	401-64050	55	700-00782	77	401-64044
MO-6816S-DE4-30H-E35	12	401-69858	34	401-69860	56	700-00782	78	401-69861
MO-6816S-DE6-30H	13	401-59830	35	401-59821	57	700-00782	79	401-59838
MO-6816S-FF6-30H	14	401-59831	36	401-59821	58	700-00782	80	401-59839
MO-6816S-FF6-50H	15	401-59834	37	401-59821	59	700-00782	81	401-59839
MO-6816S-FH6-50H	16	401-59835	38	401-59821	60	700-00782	82	401-59839
MO-6816S-FF6-60H	17	401-78593	39	401-78597	61	401-78598	83	401-78599
MO-6816S-FH6-60H	18	401-78594	40	401-78597	62	401-78598	84	401-78599
MO-6816S-DE4-30P	19	401-64049	41	401-64052	63	700-00782	85	401-64045
MO-6843S-1D6-40H	20	401-59833	42	401-59821	64	700-00782	86	401-59839
MO-6843S-2D6-40H	21	401-59832	43	401-59821	65	700-00782	87	401-59839
MO-6845S-FF6-360-N075	22	401-59826	44	401-59823	66	401-59824	88	401-59840





								
MODEL	PRESSER FOOT		LOOPER		NEEDLE CLAMP		NEEDLE	
	NO		NO		NO			
MO-6804S-0E4-30H	89	401-59844	111	700-00798	132	700-00801	DCX27#11	
MO-6804S-0A4-150	90	401-59842	112	700-00798	133	700-00801	DCX27#8	
MO-6814S-BD6-30H	91	401-69857	113	700-00238	134	700-00802	DCX27#11*2	
MO-6814S-BD6-24H/G44/Q143	92	401-59817	114	700-00238	135	700-00802	DCX27#9*2	
MO-6814S-BD6-34H	93	401-59817	115	700-00238	136	700-00802	DCX27#11*2	
MO-6814S-BE6-24H/G44/Q143	94	401-59817	116	700-00238	137	700-00802	DCX27#9*2	
MO-6814S-BE6-34H	95	401-59817	117	700-00238	138	700-00802	DCX27#11*2	
MO-6814S-BE6-40H	96	401-59843	118	700-00799	139	700-00802	DCX27#11*2	
MO-6814S-BE6-44H/G44/Q143	97	401-59817	119	700-00799	140	700-00802	DCX27#14*2	
MO-6814S-BB6-30P	98	401-64020	120	700-00238	141	401-64055	DCX27#11*2	
MO-6814S-BE6-30P	99	401-64021	121	700-00238	142	401-64055	DCX27#11*2	
MO-6816S-DE4-30H-E35	100	401-59850	122	700-00238	143	700-00803	DCX27#11*2	
MO-6816S-DE6-30H	101	401-59850	123	700-00238	144	700-00803	DCX27#11*2	
MO-6816S-FF6-30H	102	401-59849	124	700-00238	145	700-00804	DCX27#11*2	
MO-6816S-FF6-50H	103	401-59849	125	700-00799	146	700-00804	DCX27#16*2	
MO-6816S-FH6-50H	104	401-59849	126	700-00799	147	700-00804	DCX27#16*2	
MO-6816S-FF6-60H	105	401-78595	127	401-78592	148	700-00804	DCX27#21*2	
MO-6816S-FH6-60H	106	401-78595	128	401-78592	149	700-00804	DCX27#21*2	
MO-6816S-DE4-30P	107	401-64029	129	700-00238	150	700-00803	DCX27#11*2	
MO-6843S-1D6-40H	108	401-59848	130	700-00238	151	700-00806	DCX27#11*3	
MO-6843S-2D6-40H	109	401-59847	131	700-00238	152	700-00805	DCX27#11*3	
MO-6845S-FF6-360-N075	110	700-00798			153	401-59841	DCX27#14*2	

MO-6800S GAUGE TABLE

No.	Parts No.	Parts name	Remarks	Level	Cons	Qty
48	70000782	FEED DOG				1
49	70000782	FEED DOG				1
50	70000782	FEED DOG				1
51	70000782	FEED DOG				1
52	70000782	FEED DOG				1
53	70000782	FEED DOG				1
54	70000782	FEED DOG				1
55	70000782	FEED DOG				1
56	70000782	FEED DOG				1
57	70000782	FEED DOG				1
58	70000782	FEED DOG				1
59	70000782	FEED DOG				1
60	70000782	FEED DOG				1
61	40178598	FEED DOG				1
62	40178598	FEED DOG				1
63	70000782	FEED DOG				1
64	70000782	FEED DOG				1
65	70000782	FEED DOG				1
66	40159824	FEED DOG				1
67	40159836	FEED DOG				1
68	40159836	FEED DOG				1
69	40159837	FEED DOG				1
70	40159837	FEED DOG				1
71	40159837	FEED DOG				1
72	40159837	FEED DOG				1
73	40159837	FEED DOG				1
74	40159837	FEED DOG				1
75	40159837	FEED DOG				1
76	40164046	FEED DOG				1
77	40164044	FEED DOG				1
78	40169861	FEED DOG				1
79	40159838	FEED DOG				1
80	40159839	FEED DOG				1
81	40159839	FEED DOG				1
82	40159839	FEED DOG				1
83	40178599	FEED DOG				1
84	40178599	FEED DOG				1
85	40164045	FEED DOG				1
86	40159839	FEED DOG				1
87	40159839	FEED DOG				1
88	40159840	FEED DOG				1
89	40159844	PRESSER FOOT ASM.				1
90	40159842	PRESSER FOOT ASM.				1
91	40169857	PRESSER FOOT ASM.				1
92	40159817	PRESSER FOOT ASM.				1
93	40159817	PRESSER FOOT ASM.				1
94	40159817	PRESSER FOOT ASM.				1

MO-6800S GAUGE TABLE



								
MODEL	THROAT PLATE		FEED DOG		FEED DOG		FEED DOG	
	NO		NO		NO		NO	
MO-6804S-0E4-30H	1	401-59827	23	401-59820	45	700-00782	67	401-59836
MO-6804S-0A4-150	2	401-59825	24	401-59820	46	700-00784	68	401-59836
MO-6814S-BD6-30H	3	401-59828	25	401-59822	47	700-00782	69	401-59837
MO-6814S-BD6-24H/G44/Q143	4	401-59828	26	401-59822	48	700-00782	70	401-59837
MO-6814S-BD6-34H	5	401-59828	27	401-59822	49	700-00782	71	401-59837
MO-6814S-BE6-24H/G44/Q143	6	401-59829	28	401-59822	50	700-00782	72	401-59837
MO-6814S-BE6-34H	7	401-59829	29	401-59822	51	700-00782	73	401-59837
MO-6814S-BE6-40H	8	401-59829	30	401-59822	52	700-00782	74	401-59837
MO-6814S-BE6-44H/G44/Q143	9	401-59829	31	401-59822	53	700-00782	75	401-59837
MO-6814S-BB6-30P	10	401-64047	32	401-64050	54	700-00782	76	401-64046
MO-6814S-BE6-30P	11	401-64048	33	401-64050	55	700-00782	77	401-64044
MO-6816S-DE4-30H-E35	12	401-69858	34	401-69860	56	700-00782	78	401-69861
MO-6816S-DE6-30H	13	401-59830	35	401-59821	57	700-00782	79	401-59838
MO-6816S-FF6-30H	14	401-59831	36	401-59821	58	700-00782	80	401-59839
MO-6816S-FF6-50H	15	401-59834	37	401-59821	59	700-00782	81	401-59839
MO-6816S-FH6-50H	16	401-59835	38	401-59821	60	700-00782	82	401-59839
MO-6816S-FF6-60H	17	401-78593	39	401-78597	61	401-78598	83	401-78599
MO-6816S-FH6-60H	18	401-78594	40	401-78597	62	401-78598	84	401-78599
MO-6816S-DE4-30P	19	401-64049	41	401-64052	63	700-00782	85	401-64045
MO-6843S-1D6-40H	20	401-59833	42	401-59821	64	700-00782	86	401-59839
MO-6843S-2D6-40H	21	401-59832	43	401-59821	65	700-00782	87	401-59839
MO-6845S-FF6-360-N075	22	401-59826	44	401-59823	66	401-59824	88	401-59840



								
MODEL	PRESSER FOOT		LOOPER		NEEDLE CLAMP		NEEDLE	
	NO		NO		NO			
MO-6804S-0E4-30H	89	401-59844	111	700-00798	132	700-00801	DCX27#11	
MO-6804S-0A4-150	90	401-59842	112	700-00798	133	700-00801	DCX27#8	
MO-6814S-BD6-30H	91	401-69857	113	700-00238	134	700-00802	DCX27#11*2	
MO-6814S-BD6-24H/G44/Q143	92	401-59817	114	700-00238	135	700-00802	DCX27#9*2	
MO-6814S-BD6-34H	93	401-59817	115	700-00238	136	700-00802	DCX27#11*2	
MO-6814S-BE6-24H/G44/Q143	94	401-59817	116	700-00238	137	700-00802	DCX27#9*2	
MO-6814S-BE6-34H	95	401-59817	117	700-00238	138	700-00802	DCX27#11*2	
MO-6814S-BE6-40H	96	401-59843	118	700-00799	139	700-00802	DCX27#11*2	
MO-6814S-BE6-44H/G44/Q143	97	401-59817	119	700-00799	140	700-00802	DCX27#14*2	
MO-6814S-BB6-30P	98	401-64020	120	700-00238	141	401-64055	DCX27#11*2	
MO-6814S-BE6-30P	99	401-64021	121	700-00238	142	401-64055	DCX27#11*2	
MO-6816S-DE4-30H-E35	100	401-59850	122	700-00238	143	700-00803	DCX27#11*2	
MO-6816S-DE6-30H	101	401-59850	123	700-00238	144	700-00803	DCX27#11*2	
MO-6816S-FF6-30H	102	401-59849	124	700-00238	145	700-00804	DCX27#11*2	
MO-6816S-FF6-50H	103	401-59849	125	700-00799	146	700-00804	DCX27#16*2	
MO-6816S-FH6-50H	104	401-59849	126	700-00799	147	700-00804	DCX27#16*2	
MO-6816S-FF6-60H	105	401-78595	127	401-78592	148	700-00804	DCX27#21*2	
MO-6816S-FH6-60H	106	401-78595	128	401-78592	149	700-00804	DCX27#21*2	
MO-6816S-DE4-30P	107	401-64029	129	700-00238	150	700-00803	DCX27#11*2	
MO-6843S-1D6-40H	108	401-59848	130	700-00238	151	700-00806	DCX27#11*3	
MO-6843S-2D6-40H	109	401-59847	131	700-00238	152	700-00805	DCX27#11*3	
MO-6845S-FF6-360-N075	110	700-00798			153	401-59841	DCX27#14*2	

MO-6800S GAUGE TABLE

No.	Parts No.	Parts name	Remarks	Level	Cons	Qty
95	40159817	PRESSER FOOT ASM.				1
96	40159843	PRESSER FOOT ASM.				1
97	40159817	PRESSER FOOT ASM.				1
98	40164020	PRESSER FOOT ASM.				1
99	40164021	PRESSER FOOT ASM.				1
100	40159850	PRESSER FOOT ASM.				1
101	40159850	PRESSER FOOT ASM.				1
102	40159849	PRESSER FOOT ASM.				1
103	40159849	PRESSER FOOT ASM.				1
104	40159849	PRESSER FOOT ASM.				1
105	40178595	PRESSER FOOT ASM.				1
106	40178595	PRESSER FOOT ASM.				1
107	40164029	PRESSER FOOT ASM.				1
108	40159848	PRESSER FOOT ASM.				1
109	40159847	PRESSER FOOT ASM.				1
110	40159845	PRESSER FOOT ASM.				1
111	70000798	LOOPER				1
112	70000798	LOOPER				1
113	70000238	LOOPER				1
114	70000238	LOOPER				1
115	70000238	LOOPER				1
116	70000238	LOOPER				1
117	70000238	LOOPER				1
118	70000799	LOOPER				1
119	70000799	LOOPER				1
120	70000238	LOOPER				1
121	70000238	LOOPER				1
122	70000238	LOOPER				1
123	70000238	LOOPER				1
124	70000238	LOOPER				1
125	70000799	LOOPER				1
126	70000799	LOOPER				1
127	40178592	LOOPER				1
128	40178592	LOOPER				1
129	70000238	LOOPER				1
130	70000238	LOOPER				1
131	70000238	LOOPER				1
132	70000801	NEEDLE CLAMP				1
133	70000801	NEEDLE CLAMP				1
134	70000802	NEEDLE CLAMP				1
135	70000802	NEEDLE CLAMP				1
136	70000802	NEEDLE CLAMP				1
137	70000802	NEEDLE CLAMP				1
138	70000802	NEEDLE CLAMP				1
139	70000802	NEEDLE CLAMP				1
140	70000802	NEEDLE CLAMP				1
141	40164055	NEEDLE CLAMP				1

MO-6800S GAUGE TABLE

								
MODEL	THROAT PLATE		FEED DOG		FEED DOG		FEED DOG	
	NO		NO		NO		NO	
MO-6804S-0E4-30H	1	401-59827	23	401-59820	45	700-00782	67	401-59836
MO-6804S-0A4-150	2	401-59825	24	401-59820	46	700-00784	68	401-59836
MO-6814S-BD6-30H	3	401-59828	25	401-59822	47	700-00782	69	401-59837
MO-6814S-BD6-24H/G44/Q143	4	401-59828	26	401-59822	48	700-00782	70	401-59837
MO-6814S-BD6-34H	5	401-59828	27	401-59822	49	700-00782	71	401-59837
MO-6814S-BE6-24H/G44/Q143	6	401-59829	28	401-59822	50	700-00782	72	401-59837
MO-6814S-BE6-34H	7	401-59829	29	401-59822	51	700-00782	73	401-59837
MO-6814S-BE6-40H	8	401-59829	30	401-59822	52	700-00782	74	401-59837
MO-6814S-BE6-44H/G44/Q143	9	401-59829	31	401-59822	53	700-00782	75	401-59837
MO-6814S-BB6-30P	10	401-64047	32	401-64050	54	700-00782	76	401-64046
MO-6814S-BE6-30P	11	401-64048	33	401-64050	55	700-00782	77	401-64044
MO-6816S-DE4-30H-E35	12	401-69858	34	401-69860	56	700-00782	78	401-69861
MO-6816S-DE6-30H	13	401-59830	35	401-59821	57	700-00782	79	401-59838
MO-6816S-FF6-30H	14	401-59831	36	401-59821	58	700-00782	80	401-59839
MO-6816S-FF6-50H	15	401-59834	37	401-59821	59	700-00782	81	401-59839
MO-6816S-FH6-50H	16	401-59835	38	401-59821	60	700-00782	82	401-59839
MO-6816S-FF6-60H	17	401-78593	39	401-78597	61	401-78598	83	401-78599
MO-6816S-FH6-60H	18	401-78594	40	401-78597	62	401-78598	84	401-78599
MO-6816S-DE4-30P	19	401-64049	41	401-64052	63	700-00782	85	401-64045
MO-6843S-1D6-40H	20	401-59833	42	401-59821	64	700-00782	86	401-59839
MO-6843S-2D6-40H	21	401-59832	43	401-59821	65	700-00782	87	401-59839
MO-6845S-FF6-360-N075	22	401-59826	44	401-59823	66	401-59824	88	401-59840

								
MODEL	PRESSER FOOT		LOOPER		NEEDLE CLAMP		NEEDLE	
	NO		NO		NO			
MO-6804S-0E4-30H	89	401-59844	111	700-00798	132	700-00801		DCX27#11
MO-6804S-0A4-150	90	401-59842	112	700-00798	133	700-00801		DCX27#8
MO-6814S-BD6-30H	91	401-69857	113	700-00238	134	700-00802		DCX27#11*2
MO-6814S-BD6-24H/G44/Q143	92	401-59817	114	700-00238	135	700-00802		DCX27#9*2
MO-6814S-BD6-34H	93	401-59817	115	700-00238	136	700-00802		DCX27#11*2
MO-6814S-BE6-24H/G44/Q143	94	401-59817	116	700-00238	137	700-00802		DCX27#9*2
MO-6814S-BE6-34H	95	401-59817	117	700-00238	138	700-00802		DCX27#11*2
MO-6814S-BE6-40H	96	401-59843	118	700-00799	139	700-00802		DCX27#11*2
MO-6814S-BE6-44H/G44/Q143	97	401-59817	119	700-00799	140	700-00802		DCX27#14*2
MO-6814S-BB6-30P	98	401-64020	120	700-00238	141	401-64055		DCX27#11*2
MO-6814S-BE6-30P	99	401-64021	121	700-00238	142	401-64055		DCX27#11*2
MO-6816S-DE4-30H-E35	100	401-59850	122	700-00238	143	700-00803		DCX27#11*2
MO-6816S-DE6-30H	101	401-59850	123	700-00238	144	700-00803		DCX27#11*2
MO-6816S-FF6-30H	102	401-59849	124	700-00238	145	700-00804		DCX27#11*2
MO-6816S-FF6-50H	103	401-59849	125	700-00799	146	700-00804		DCX27#16*2
MO-6816S-FH6-50H	104	401-59849	126	700-00799	147	700-00804		DCX27#16*2
MO-6816S-FF6-60H	105	401-78595	127	401-78592	148	700-00804		DCX27#21*2
MO-6816S-FH6-60H	106	401-78595	128	401-78592	149	700-00804		DCX27#21*2
MO-6816S-DE4-30P	107	401-64029	129	700-00238	150	700-00803		DCX27#11*2
MO-6843S-1D6-40H	108	401-59848	130	700-00238	151	700-00806		DCX27#11*3
MO-6843S-2D6-40H	109	401-59847	131	700-00238	152	700-00805		DCX27#11*3
MO-6845S-FF6-360-N075	110	700-00798			153	401-59841		DCX27#14*2

MO-6800S GAUGE TABLE

No.	Parts No.	Parts name	Remarks	Level	Cons	Qty
142	40164055	NEEDLE CLAMP				1
143	70000803	NEEDLE CLAMP				1
144	70000803	NEEDLE CLAMP				1
145	70000804	NEEDLE CLAMP				1
146	70000804	NEEDLE CLAMP				1
147	70000804	NEEDLE CLAMP				1
148	70000804	NEEDLE CLAMP				1
149	70000804	NEEDLE CLAMP				1
150	70000803	NEEDLE CLAMP				1
151	70000806	NEEDLE CLAMP				1
152	70000805	NEEDLE CLAMP				1
153	40159841	NEEDLE CLAMP		*		1

LIST FOR INFORMATION OF CHANGE (1)

As to the place changed, refer to the corresponding Rev.No.
 When previous parts(Obsoleted part)and new parts(Added parts)are
 not interchangeable with each other:
 In this case,even obsoleted parts(D.)can be ordered with the
 obsoleted part number,so select the parts with changed dates and
 place your orders.

変更箇所は、該当Rev.No.版をご参照ください。
 部品の互換性がない変更の場合は、削除された品番でも、ご注文できます。

40159375
 No.1672-02 Rev.No.

*A:Added parts追加部品/D:Obsoleted parts削除部品/E:Erratum訂正

* Rev. No.	Page 頁	Ref. No.	Parts No. 品番	* Rev. No.	Page 頁	Ref. No.	Parts No. 品番
D 01	2	4	700-00442	A 02	2	4	401-72525
D 01	6	2	401-59531				
				A 02	8	48	401-59660
				A 02	8	52	700-00612
				A 02	8	53	700-00928
				A 02	8	54	401-70846
				A 02	8	60	401-64010
D 01	12	82	401-59639	A 02	12	82	401-78548
D 01	12	90	401-59635	A 02	12	90	401-59624
D 01	12	92	401-59639	A 02	12	92	401-78550
D 01	12	96	401-59635	A 02	12	96	401-59624
D 01	12	98	401-59639	A 02	12	98	401-78549
D 01	12	103	401-59635	A 02	12	103	401-59624
D 01	12	106	401-59639	A 02	12	106	401-78549
D 01	12	108	401-59639	A 02	12	108	401-78550
				A 02	12	114	401-72527
D 01	14	1	700-00252	A 02	14	1	401-59686
D 01	14	2	700-00835	A 02	14	2	401-59687
D 01	14	3	700-00256	A 02	14	3	401-79596
D 01	14	4	700-00539	A 02	14	4	401-79597
D 01	14	5	700-00539	A 02	14	5	401-79597
D 01	14	6	700-00255	A 02	14	6	401-78084
D 01	14	14	700-00250	A 02	14	14	401-59675
D 01	14	20	700-00249	A 02	14	25	401-72535
				A 02	14	15	401-59681
				A 02	14	16	401-59682
				A 02	14	75	401-77859
				A 02	14	76	401-59715
				A 02	14	38	401-76583
D 01	16	3	401-59691	A 02	16	3	700-00407
D 01	16	17	700-00411	A 02	16	17	401-59689
D 01	16	18	700-00418	A 02	16	18	401-79596
D 01	16	19	700-00417	A 02	16	19	401-78084
D 01	16	20	700-00539	A 02	16	20	401-79597
D 01	16	21	700-00539	A 02	16	21	401-79597
D 01	16	35	700-00412	A 02	16	35	401-59690

NUMERICAL INDEX OF PARTS

PART NO	PAGE	REF NO.	PART NO	PAGE	REF NO.	PART NO	PAGE	REF NO.
*****	2	6	40159582	6	16·17	40159641	16	87
*****	6	25	40159583	6	16·17	40159642	18	99·100
*****	14	62	40159584	6	21	40159643	18	107
*****	16	62	40159585	6	26·27	40159644	16	76
*****	22	56	40159586	6	32	40159645	14	1·10
*****	34	50	40159587	6	33	40159646	14	1·10
*****	36	50	40159589	6	42	40159647	14	16·17
*****	42	70	40159590	6	30	40159648	14	18
40022255	10	57	40159591	6	38	40159649	16	63·64
40159531	2	23	40159592	6	39	40159650	14	5·6
40159532	2	24	40159593	6	26·27	40159651	14	16·17
40159533	2	25	40159601	8	23·47	40159652	16	47·48
40159534	2	3	40159602	8	22·46	40159653	16	53~ 56·113
40159537	2	26	40159603	8	28	40159654	16	53~ 56·113
40159538	2	27	40159604	8	3·4·45	40159655	16	53~ 56·113
40159539	2	28	40159605	8	3·4·45	40159656	18	99·100
40159540	2	29	40159606	8	1·2·44	40159657	18	103·104
40159551	4	31	40159607	8	1·2·44	40159658	12	29·32
40159552	4	18	40159608	8	12	40159659	10	49·61
40159553	4	19	40159613	70	24	40159660	10	48·60
40159554	4	20	40159615	12	1	40159665	22	74~76
40159555	4	9	40159617	12	8	40159666	22	70~73
40159556	4	8	40159618	12	7	40159667	22	81
40159557	4	1	40159619	12	21·36	40159668	22	80
40159558	4	13	40159620	12	30	40159669	22	79
40159559	4	14	40159623	12	21·36	40159670	22	57
40159560	4	15	40159624	16	103·104	40159671	20	29
40159561	4	17	40159624	18	103·104	40159672	20	30
40159562	4	6	40159625	16	65	40159673	20	35~37
40159563	4	7	40159626	16	60	40159674	20	34
40159564	4	10	40159627	16	74	40159675	20	14~16
40159565	4	11	40159628	16	58	40159676	22	70~73
40159571	6	1	40159629	14	27	40159676	34	33
40159572	6	4	40159629	30	38	40159677	22	70~73
40159573	6	2	40159630	16	53~ 56·113	40159678	20	9·10
40159574	6	8	40159631	16	75	40159679	20	35~37
40159574	66	2	40159632	16	109	40159680	20	35~37
40159575	6	7	40159632	18	109	40159681	20	14~16
40159576	6	6	40159633	16	83	40159682	20	14~16
40159576	66	11	40159634	16	110	40159683	22	59~61
40159577	6	5	40159634	18	110	40159684	20	8
40159578	6	13	40159636	16	112	40159684	24	22
40159579	6	11	40159636	18	112	40159686	20	1·2
40159580	6	18	40159640	16	77			
40159581	6	19						

NUMERICAL INDEX OF PARTS

PART NO	PAGE	REF NO.	PART NO	PAGE	REF NO.	PART NO	PAGE	REF NO.
40159687	20	1·2	40159762	44	23	40159822	74	31
40159689	24	17	40159763	44	39	40159823	74	44
40159690	24	35	40159764	44	32	40159824	76	66
40159692	24	1·2	40159765	46	53	40159825	74	2
40159693	24	15·16	40159768	48	4	40159826	74	22
40159694	24	1·2	40159769	48	5	40159827	74	1
40159700	30	25	40159770	48	6	40159828	74	5
40159701	30	27	40159771	48	7	40159829	74	9
40159702	30	16	40159772	48	1·2	40159830	74	13
40159703	30	17	40159773	48	11·12	40159831	74	14
40159703	40	27	40159774	48	8·9	40159832	74	21
40159704	30	18	40159775	48	1·2	40159833	74	20
40159704	40	30	40159776	48	8·9	40159834	74	15
40159705	30	19	40159777	48	11·12	40159835	74	16
40159706	30	20	40159778	48	10	40159836	76	68
40159707	30	1	40159779	48	13	40159837	76	75
40159709	30	32	40159780	58	10	40159838	76	79
40159715	22	74~76	40159781	58	11	40159839	76	87
40159715	34	35	40159785	62	2	40159840	76	88
40159716	34	15	40159786	62	1	40159841	80	153
40159717	34	13	40159787	62	16	40159842	76	90
40159718	36	56	40159788	62	17	40159843	78	96
40159719	36	57	40159789	62	10	40159844	76	89
40159725	70	44	40159790	62	11	40159845	78	110
40159726	38	26	40159791	62	12	40159847	78	109
40159727	38	19	40159792	62	15	40159848	78	108
40159728	38	18	40159793	62	9	40159849	78	104
40159729	38	16·17	40159794	62	7	40159850	78	101
40159732	38	16·17	40159795	62	8	40159855	68	34
40159734	38	9·10	40159796	62	6	40164010	10	48·60
40159741	40	3	40159800	64	1	40164011	8	3·4·45
40159742	40	4	40159801	64	7	40164012	8	1·2·44
40159743	40	7	40159802	64	8	40164020	68	13·25
40159744	40	5	40159803	64	5	40164020	78	98
40159745	40	1	40159810	66	4	40164021	68	13·25
40159746	40	2	40159811	66	12	40164021	78	99
40159748	40	31	40159812	66	15	40164023	68	22·26
40159749	40	26	40159813	66	13	40164024	68	22·26
40159750	40	33	40159814	66	14	40164026	68	14
40159751	40	42	40159815	66	7	40164027	68	15
40159752	40	38	40159817	66	6	40164028	68	21
40159753	40	10	40159817	76	97	40164029	68	27
40159754	40	35	40159817	78	97	40164029	78	107
40159760	44	8	40159820	74	24	40164032	68	28
40159761	44	26	40159821	74	43	40164033	68	38

NUMERICAL INDEX OF PARTS

PART NO	PAGE	REF NO.	PART NO	PAGE	REF NO.	PART NO	PAGE	REF NO.
40164034	68	33	40172527	18	37~ 39·114	40178598	70	39
40164035	68	39	40172528	38	11·12	40178598	76	62
40164036	68	35	40172529	38	11·12	40178599	70	40
40164037	68	30	40172530	40	46	40178599	76	84
40164038	68	36	40172531	42	75	40178600	72	50
40164039	68	29	40172535	20	25	40178605	70	3
40164042	68	41	40176583	20	38	40178606	70	6
40164043	68	40	40177859	22	74~76	40178607	70	7
40164044	68	7~9	40178003	38	9·10	40178608	70	14
40164044	76	77	40178005	42	76	40178609	70	8
40164045	68	7~9	40178006	40	44	40178610	70	33
40164045	76	85	40178007	40	45	40178611	70	28
40164046	68	7~9	40178084	20	6	40178612	70	30
40164046	76	76	40178084	24	19	40178613	70	29
40164047	68	1~3	40178548	16	82	40178615	70	43
40164047	74	10	40178549	18	106	40178616	70	18
40164048	68	1~3	40178550	18	108	40178617	72	48
40164048	74	11	40178574	70	1	40179483	50	1
40164049	68	1~3	40178575	70	2	40179484	52	1
40164049	74	19	40178576	70	4	40179485	54	1
40164050	68	4·5	40178577	70	9	40179486	56	1
40164050	74	33	40178578	70	11	40179596	20	3
40164051	68	6	40178579	70	12	40179596	24	18
40164052	68	4·5	40178580	70	13	40179597	20	5
40164052	74	41	40178581	70	19	40179597	24	21
40164053	68	24	40178582	70	22	40179600	70	27
40164055	68	10	40178583	70	20	70000098	66	16
40164055	78	142	40178584	70	15	70000130	8	14
40164055	80	142	40178585	70	47	70000131	30	56
40164056	18	53~ 56·113	40178586	70	26	70000131	32	56
40164056	68	12	40178587	70	34	70000131	40	32
40164057	8	22·46	40178588	70	31	70000132	36	58
40164058	8	23·47	40178592	70	42	70000133	34	14
40164058	68	11	40178592	78	128	70000134	12	18
40164059	10	49·61	40178593	70	36·37	70000135	34	23
40169857	76	91	40178593	74	17	70000136	6	12
40169858	74	12	40178594	70	36·37	70000137	32	53
40169860	74	34	40178594	74	18	70000138	34	20
40169861	76	78	40178595	70	41	70000139	26	2
40170670	40	12	40178595	78	106	70000140	30	2
40170846	10	54	40178596	62	27	70000141	12	35
40170847	10	55	40178596	72	49	70000141	34	25
40170848	10	56	40178597	70	38	70000141	40	16
40172525	2	4	40178597	74	40	70000142	40	11
						70000143	8	34

NUMERICAL INDEX OF PARTS

PART NO	PAGE	REF NO.	PART NO	PAGE	REF NO.	PART NO	PAGE	REF NO.
70000144	44	15	70000183	54	6	70000215	50	13
70000145	8	32	70000183	56	34	70000215	52	34
70000146	44	33	70000184	52	7	70000215	54	34
70000147	34	19	70000184	54	7	70000215	56	33
70000148	46	52	70000185	52	8	70000216	50	14
70000149	8	35	70000185	54	8	70000216	52	33
70000151	36	53	70000186	50	7	70000216	54	33
70000152	36	54	70000186	52	9	70000216	56	32
70000157	44	24	70000186	54	9	70000217	50	15
70000158	44	25	70000186	56	7	70000217	52	32
70000159	44	28	70000187	56	8	70000217	54	32
70000160	44	27	70000188	50	8	70000217	56	31
70000161	6	14	70000188	52	10	70000218	50	16
70000162	30	33	70000188	54	10	70000218	52	28
70000164	14	7	70000188	56	9	70000218	54	28
70000168	14	22	70000189	50	9	70000218	56	27
70000169	14	19	70000189	52	11	70000219	50	17
70000171	14	13	70000189	54	11	70000219	52	22
70000172	28	2	70000189	56	10	70000219	54	22
70000173	14	3-4	70000190	50	10	70000219	56	21
70000174	14	11-12	70000190	52	12	70000222	6	15
70000175	24	10	70000190	54	12	70000229	38	13
70000176	42	50	70000190	56	11	70000230	38	1
70000177	54	37	70000191	50	11	70000235	38	2
70000177	56	40	70000191	52	35	70000236	38	8
70000178	50	35	70000191	54	35	70000237	38	4
70000178	52	37	70000191	56	38	70000238	78	131
70000179	50	2	70000192	50	12	70000239	20	24
70000179	52	2	70000192	52	13	70000240	20	22
70000179	54	2	70000192	54	13	70000241	20	26
70000179	56	2	70000192	56	12	70000243	20	28
70000180	50	3	70000193	20	32	70000246	22	63
70000180	52	3	70000194	22	51	70000247	22	62
70000180	54	3	70000195	22	53	70000248	20	39
70000180	56	3	70000196	22	59~61	70000251	20	18
70000181	50	4	70000197	20	45	70000253	20	11-12
70000181	52	4	70000198	20	46	70000254	20	9-10
70000181	54	4	70000199	24	15-16	70000257	8	39
70000181	56	4	70000200	22	52	70000258	44	46
70000182	50	5	70000201	22	50	70000259	8	38
70000182	52	5	70000202	20	44	70000260	44	45
70000182	54	5	70000203	16	84	70000261	44	29
70000182	56	35	70000211	16	111	70000262	44	30
70000183	50	6	70000211	18	111	70000263	58	2
70000183	52	6	70000213	16	85	70000263	64	3

NUMERICAL INDEX OF PARTS

PART NO	PAGE	REF NO.	PART NO	PAGE	REF NO.	PART NO	PAGE	REF NO.
70000264	58	1	70000329	44	9	70000375	34	5
70000264	64	2	70000332	58	7	70000379	30	8
70000265	58	6	70000334	4	5	70000380	24	6
70000266	12	11	70000335	16	70	70000380	26	24
70000267	12	10	70000336	16	67	70000381	44	35
70000267	44	40	70000337	16	66	70000382	44	36
70000268	20	42	70000338	58	5	70000383	28	22
70000269	38	3	70000339	58	8	70000384	28	9
70000270	24	29	70000340	58	4	70000385	28	25
70000270	26	28	70000341	8	26	70000386	28	24
70000273	44	34	70000342	22	64	70000387	28	6
70000275	30	29	70000343	24	33	70000388	28	16
70000276	30	28	70000344	30	3	70000389	28	17
70000277	30	34	70000345	30	4	70000390	28	18
70000280	34	11	70000346	26	37	70000391	28	11
70000282	30	40	70000346	34	46	70000392	28	12
70000283	32	55	70000347	38	14	70000393	28	13
70000284	32	52	70000348	58	12	70000394	28	14
70000286	32	54	70000349	30	5	70000395	28	15
70000288	30	43	70000349	42	78	70000396	28	3
70000289	30	42	70000350	22	55	70000397	28	1
70000291	40	39	70000350	70	45	70000398	28	4
70000292	40	20	70000351	26	22	70000399	38	30
70000293	40	17	70000352	58	15	70000399	62	20
70000294	40	22	70000353	30	15	70000400	38	31
70000295	40	23	70000354	50	18	70000401	38	38
70000297	40	47	70000354	52	14	70000402	38	28·29
70000301	40	41	70000354	54	14	70000403	38	33·34
70000302	40	40	70000354	56	13	70000404	4	22
70000303	42	51	70000355	40	34	70000405	24	12
70000304	42	55	70000356	34	29	70000406	24	4
70000309	40	13	70000357	26	5	70000407	24	3
70000312	44	17	70000358	32	57	70000409	24	32
70000314	8	41	70000359	28	5	70000410	24	31
70000317	26	36	70000359	66	10	70000410	26	34
70000317	34	45	70000361	34	10	70000410	34	32
70000318	44	41	70000362	12	17	70000413	24	25
70000322	46	62	70000363	2	1	70000414	24	37
70000323	44	66	70000365	2	2	70000415	24	24
70000323	46	66	70000368	4	2	70000416	24	36
70000324	46	60	70000369	30	23	70000419	42	62
70000325	44	11	70000370	30	22	70000420	42	63
70000326	44	21	70000372	30	6	70000422	34	39
70000327	44	1	70000373	30	7	70000423	34	40
70000328	44	19	70000374	34	4	70000428	44	20

NUMERICAL INDEX OF PARTS

PART NO	PAGE	REF NO.	PART NO	PAGE	REF NO.	PART NO	PAGE	REF NO.
70000429	34	41	70000469	14	44-45	70000508	36	55
70000430	8	31	70000470	26	31	70000508	70	46
70000431	8	30	70000471	26	30	70000509	34	51
70000432	12	14	70000472	26	35	70000509	36	51
70000433	34	36	70000473	26	26	70000510	38	15
70000434	38	6	70000474	26	23	70000511	24	9
70000435	34	16	70000475	26	20	70000512	30	13
70000436	38	5	70000476	26	21	70000513	14	86
70000437	12	13	70000477	26	33	70000513	16	86
70000438	58	3	70000478	26	9	70000513	28	10
70000438	64	4	70000479	26	1	70000514	26	38
70000443	2	5	70000480	42	64	70000514	36	47
70000444	60	1	70000481	6	28-41	70000515	2	21
70000445	12	34	70000482	58	16	70000515	4	29
70000446	34	12	70000483	58	17	70000515	20	43
70000448	28	23	70000484	58	14	70000515	38	39
70000449	8	43	70000485	58	18	70000515	40	21
70000450	30	9	70000490	4	4	70000516	4	21
70000452	4	25	70000493	4	28	70000516	16	61
70000452	28	28	70000494	4	27	70000517	22	66
70000452	66	9	70000495	30	10	70000517	24	27
70000453	4	24	70000496	42	65	70000517	38	32
70000453	28	27	70000496	68	18	70000518	4	23
70000454	50	34	70000497	16	72	70000518	28	30
70000454	52	30	70000498	14	34	70000518	44	38
70000454	54	30	70000498	20	17	70000518	48	17
70000454	56	29	70000498	28	26	70000519	28	7
70000455	50	20	70000498	62	19	70000520	6	22
70000455	52	16	70000498	70	25	70000520	44	18
70000455	54	16	70000499	42	66	70000521	8	33
70000455	56	15	70000500	42	72	70000521	22	49
70000456	50	21	70000500	68	37	70000521	38	35
70000456	52	23	70000501	20	54	70000521	44	31
70000456	54	23	70000501	22	54	70000522	2	8
70000456	56	22	70000502	30	44	70000522	8	40
70000458	34	30	70000503	12	33	70000522	12	15
70000458	40	29	70000503	30	39	70000522	22	78
70000460	8	13	70000504	22	58	70000522	24	38
70000461	26	16	70000505	16	57	70000522	34	37
70000462	26	18	70000505	24	11	70000522	38	27
70000463	26	6	70000505	42	71	70000522	40	53
70000464	26	7	70000505	68	31	70000522	42	53
70000465	26	15	70000506	24	14	70000522	46	67
70000466	26	17	70000508	8	21	70000522	70	35
70000467	26	8	70000508	26	27	70000523	30	21

NUMERICAL INDEX OF PARTS

PART NO	PAGE	REF NO.	PART NO	PAGE	REF NO.	PART NO	PAGE	REF NO.
70000524	38	37	70000555	14	46	70000583	30	47
70000525	24	13	70000555	16	46	70000584	40	28
70000525	26	29	70000557	28	21	70000586	2	13
70000526	16	71	70000558	34	6	70000587	22	68
70000526	48	15-16	70000558	68	23	70000588	12	4
70000527	46	65	70000559	14	14	70000588	70	5
70000528	4	12	70000560	20	33	70000589	50	26
70000528	40	37	70000561	26	11	70000589	52	36
70000529	2	22	70000561	42	77	70000589	54	36
70000530	36	52	70000562	8	17	70000589	56	39
70000531	24	7	70000563	4	26	70000590	20	13
70000531	26	25	70000563	6	20	70000590	24	39
70000532	44	68	70000563	28	29	70000590	26	32
70000532	46	68	70000564	8	6	70000590	30	24
70000533	44	37	70000565	8	7	70000590	34	28
70000534	44	5	70000566	42	48	70000590	38	25
70000535	8	10	70000567	14	35-36	70000592	40	24
70000536	8	50	70000569	6	37	70000593	12	24
70000536	10	50	70000570	6	36	70000593	20	23
70000537	42	67	70000571	28	19	70000593	70	32
70000538	20	31	70000572	14	26	70000598	14	28
70000538	42	73	70000572	36	48	70000600	32	58
70000538	68	32	70000573	6	40	70000601	30	12
70000540	58	19	70000574	4	3	70000602	30	35
70000541	58	20	70000575	46	59	70000603	38	36
70000542	30	11	70000576	28	8	70000604	40	25
70000543	2	10	70000577	4	16	70000605	40	43
70000544	2	11	70000577	6	35	70000606	42	68
70000545	20	7	70000578	12	9	70000608	40	9
70000545	24	23	70000578	38	20	70000609	42	69
70000546	8	51	70000579	50	23	70000610	28	31
70000546	10	51	70000579	52	18	70000611	50	27
70000547	50	22	70000579	54	18	70000611	52	27
70000547	52	17	70000579	56	17	70000611	54	27
70000547	54	17	70000580	50	31	70000611	56	26
70000547	56	36	70000580	52	25	70000612	8	52
70000548	34	21	70000580	54	25	70000612	10	52
70000549	14	9	70000580	56	24	70000613	22	65
70000549	66	5	70000581	50	25	70000614	24	34
70000550	2	12	70000581	52	20	70000615	50	28
70000550	14	73	70000581	54	20	70000615	52	31
70000550	16	73	70000581	56	37	70000615	54	31
70000552	30	26	70000582	30	50	70000615	56	30
70000554	8	16	70000582	32	50	70000616	26	12
70000555	6	24	70000582	44	47	70000617	58	13

NUMERICAL INDEX OF PARTS

PART NO	PAGE	REF NO.	PART NO	PAGE	REF NO.	PART NO	PAGE	REF NO.
70000618	50	29	70000676	12	31	70000733	34	24
70000618	52	21	70000676	70	21	70000734	34	22
70000618	54	21	70000677	12	12	70000735	42	74
70000618	56	20	70000678	20	27	70000735	68	16
70000619	8	8	70000679	22	69	70000736	6	10
70000620	8	9	70000681	34	8	70000737	8	11
70000626	14	29	70000682	34	27	70000738	32	48
70000627	14	30	70000683	34	3	70000739	32	49
70000628	14	37~ 39·114	70000684	34	7	70000740	30	46
70000629	14	23	70000685	34	26	70000741	30	45
70000630	16	69	70000686	34	42	70000744	6	34
70000631	44	3	70000688	34	31	70000745	6	23
70000632	12	23	70000689	34	43	70000748	20	41
70000633	12	22	70000693	44	6	70000749	20	40
70000635	12	20	70000694	8	18	70000750	8	29
70000636	12	26	70000694	32	51	70000751	24	8
70000637	12	16	70000695	8	37	70000752	24	30
70000638	12	25	70000696	8	42	70000753	2	18
70000639	12	19	70000697	26	13	70000754	2	19
70000640	12	3	70000698	30	37	70000755	4	30
70000643	12	2	70000699	8	36	70000757	62	3
70000646	12	5	70000700	8	20	70000758	62	14
70000652	14	25	70000701	8	15	70000759	62	4
70000653	14	24	70000703	26	14	70000760	62	5
70000654	12	29·32	70000704	16	59	70000761	62	18
70000657	44	64	70000706	60	2	70000763	62	13
70000657	46	64	70000707	58	9	70000767	64	6
70000658	44	22	70000710	46	57	70000782	74	65
70000658	48	14	70000711	46	58	70000782	76	65
70000659	2	14	70000712	46	55	70000784	74	46
70000660	6	29	70000713	46	48	70000798	78	112
70000661	20	20	70000714	46	54	70000799	78	126
70000662	30	36	70000715	44	44	70000801	78	133
70000664	40	14	70000716	44	43	70000802	78	140
70000665	30	41	70000717	46	56	70000803	80	150
70000666	30	31	70000720	38	23·24	70000804	70	23
70000667	24	5	70000721	38	21·22	70000804	80	149
70000669	40	15	70000728	12	27	70000805	80	152
70000670	2	15	70000728	20	21	70000806	80	151
70000671	2	16	70000728	70	17	70000807	22	70~73
70000672	2	17	70000729	12	28	70000812	22	59~61
70000673	42	49	70000729	20	19	70000813	38	33·34
70000674	44	16	70000729	70	16	70000820	6	28·41
70000675	44	14	70000731	34	38	70000822	14	5·6
			70000732	34	44	70000827	16	44·45

NUMERICAL INDEX OF PARTS

PART NO	PAGE	REF NO.
70000828	14	37~ 39·114
70000829	14	37~ 39·114
70000831	14	35·36
70000832	14	3·4
70000833	14	11·12
70000834	20	11·12
70000841	38	23·24
70000842	38	21·22
70000845	38	28·29
70000847	16	50
70000848	16	51·52
70000849	16	49
70000850	16	63·64
70000854	58	21
70000884	60	3
70000885	16	51·52
70000887	16	47·48
70000908	6	9
70000908	66	8
70000928	10	53
70001060	48	15·16
MDC270B0800	62	21~25
MDC270B0900	62	21~25
MDC270B1100	62	21~25
MDC270B1400	62	21~25
MDC270B1600	62	21~25
MDC270B2100	62	26
SS6111010TP	10	59
SS6120940SP	10	58