

MODEL : DDL-900A

List No : 1668-01

# PARTS LIST

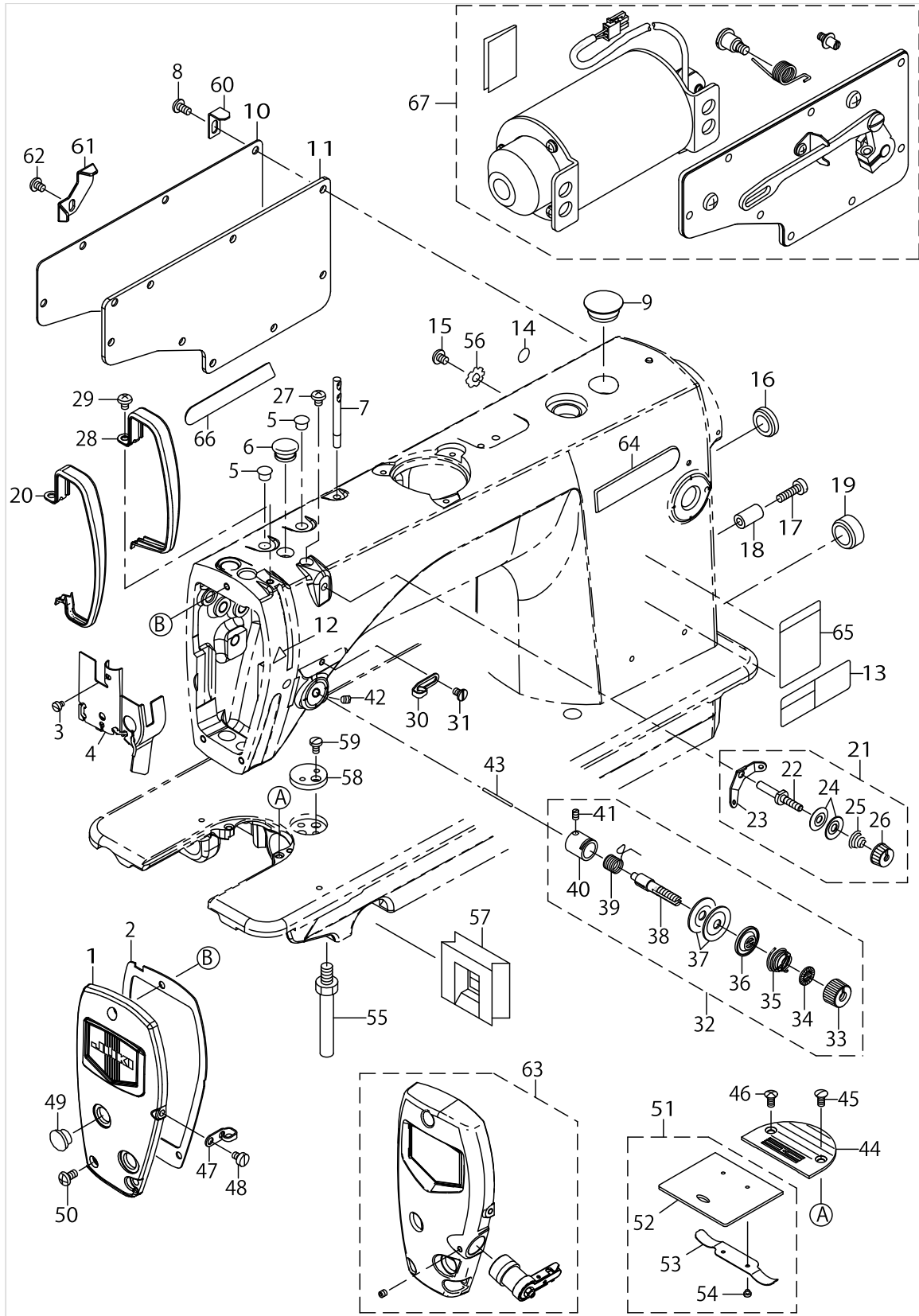
Published:09/10/2017

## CONTENTS

---

MACHINE FRAME & MISCELLANEOUS COVER COMPONENTS .....	1
BOBBIN WINDER COMPONENTS.....	5
MAIN SHAFT & THREAD TAKE-UP LEVER COMPONENTS .....	7
NEEDLE BAR, UPRIGHT SHAFT & HOOK DRIVING SHAFT COMPONENTS .....	9
HAND LIFTER COMPONENTS .....	13
FEED MECHANISM COMPONENTS.....	15
THREAD TRIMMER COMPONENTS .....	19
AUTOMATIC REVERSE FEED COMPONENTS.....	23
WIPER COMPONENTS.....	25
OIL LUBRICATION COMPONENTS .....	27
OIL RESERVOIR COMPONENTS .....	31
PSC UNIT.....	33
THREAD STAND COMPONENTS.....	35
ACCESSORIE PARTS COMPONENTS .....	37
LIST FOR INFORMATION OF CHANGE.....	39

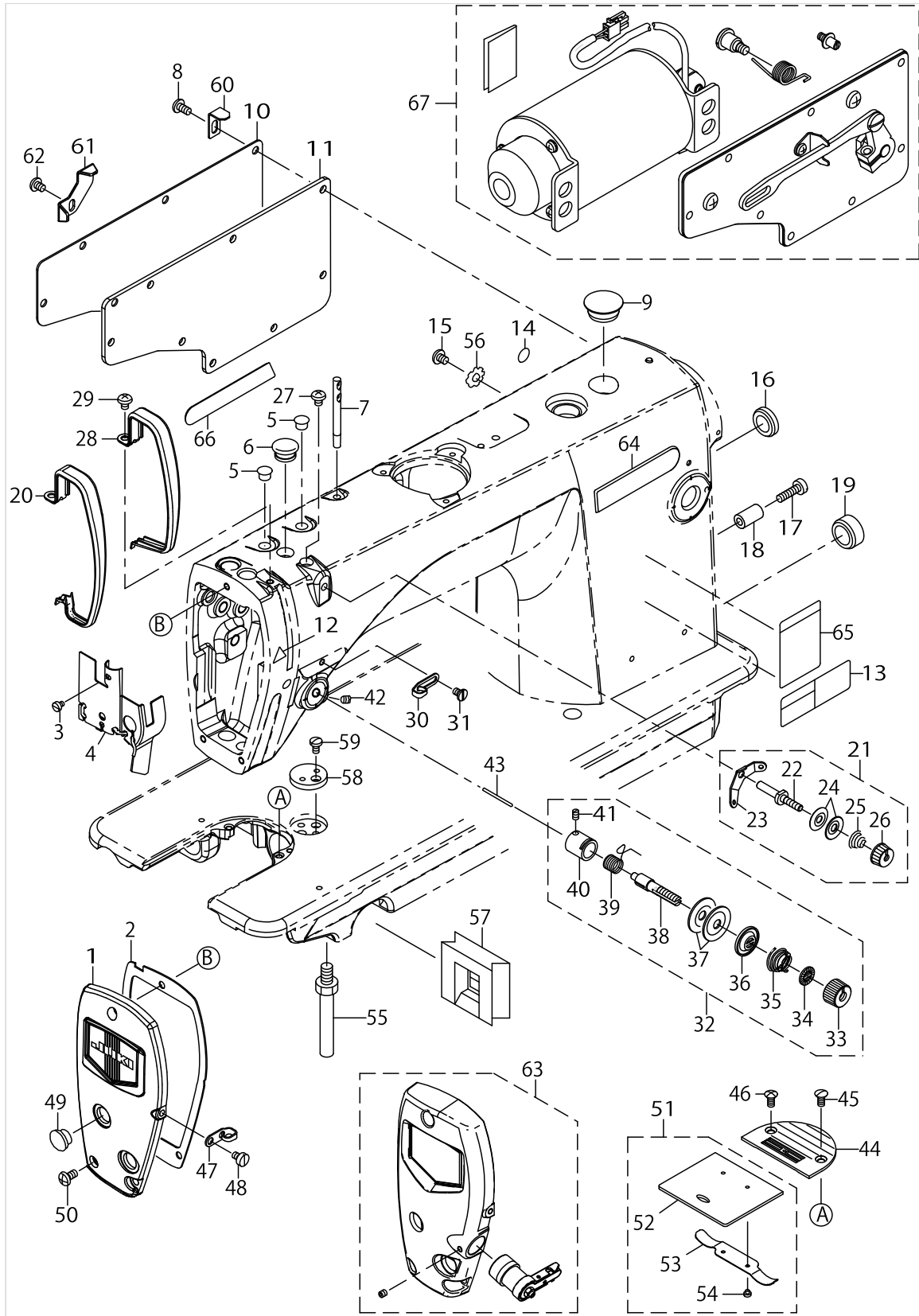
MACHINE FRAME & MISCELLANEOUS COVER COMPONENTS



MACHINE FRAME & MISCELLANEOUS COVER COMPONENTS

No.	Parts No.	Parts name	Remarks	Level	Cons	Qty
1	40102097	FACE_PLATE_ASM.				1
2	40012126	FACE PLATE PACKING				1
3	SS6080410SP	SCREW 1/8-44 L=4				1
4	40156677	ARM OIL SHIELD ASSY				1
5	TA0850604R0	RUBBER PLUG				2
6	TA1250705R0	RUBBER PLUG				1
7	22958300	NEEDLE THREAD GUIDE PIN				1
8	SS4120925SP	SCREW 3/16-28 L=9				8
9	TA2100904R0	RUBBER PLUG				1
10	22900401	WINDOW PLATE				1
11	40012129	SIDE PLATE PACKING				1
12	CM300200001	ATTENTION SEAL				2
13	40102261	SAFETY_LABEL_S				1
14	22901805	GROUND MARK				1
15	SS4120615SP	SCREW 3/16-28 L=6				1
16	TA2000502R0	RUBBER PLUG				1
17	SS6121840SP	SCREW 3/16-28 L=18				1
18	22952501	BACK LEVER STOPPER				1
19	TA2101002R0	RUBBER PLUG				1
20	11415205	THREAD TAKE-UP LEVER COVER(JE)	VARIOUS NOS. FOR DESTINATIONS			1
21	22945463	THREAD TENSION ASM. NO.1				1
22	22945414	THREAD TENSION POST		*		1
23	22945604	THREAD TENSION GUIDE		*		1
24	22945802	THREAD TENSION DISK		*		2
25	22945505	THREAD TENSION SPRING		*		1
26	22945703	THREAD TENSION NUT		*		1
27	SS4120615SP	SCREW 3/16-28 L=6				1
28	22900609	THREAD TAKE-UP LEVER COVER	VARIOUS NOS. FOR DESTINATIONS			1
29	SS4120615SP	SCREW 3/16-28 L=6				1
30	22920508	ARM THREAD GUIDE A				1
31	22921001	SCREW				1
32	22945356	THREAD TENSION ASM.				1
33	22921308	THREAD TENSION NUT		*		1
34	22921407	ROTATION STOPPER		*		1
35	22921704	THREAD TENSION SPRING A		*		1
36	22921803	DISK STOPPER		*		1
37	22921506	THREAD TENSION DISK		*		2
38	22921209	THREAD TENSION POST		*		1
39	22921605	THREAD TAKE-UP SPRING		*	☆	1
40	22945307	THREAD TENSION POST BASE		*		1
41	SS8090670SP	SCREW 9/64-40 L=5.5		*		1
42	SS8150710TP	SCREW 15/64-28 L=7				1
43	22920904	TENSION RELEASING				1
44	B1109552000	THROAT PLATE				1
45	SS2110920TP	SCREW 11/64-40 L=8.5				1
46	SS2110915SP	SCREW 11/64-40 L=8.5				1

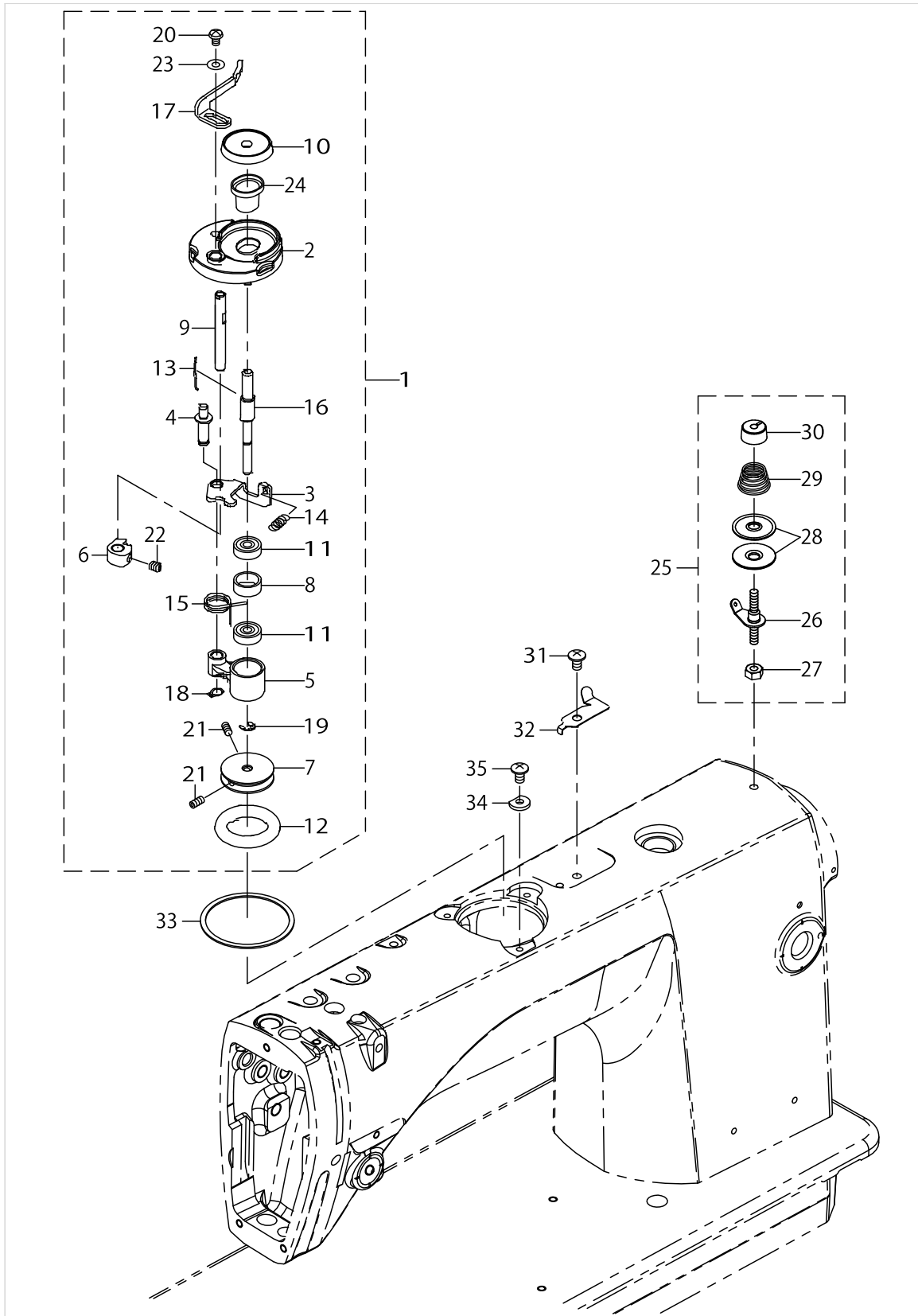
MACHINE FRAME & MISCELLANEOUS COVER COMPONENTS



MACHINE FRAME & MISCELLANEOUS COVER COMPONENTS

No.	Parts No.	Parts name	Remarks	Level	Cons	Qty
47	22920607	ARM THREAD GUIDE B				1
48	SS6110610TP	SCREW 11/64-40 L=6				1
49	TA1250406R0	RUBBER PLUG D=12.5 L=4				2
50	SS4120925SP	SCREW 3/16-28 L=9				3
51	22901250	SLIDE PLATE ASM.				1
52	22901201	SLIDE PLATE		*		1
53	22901300	SLIDE PLATE SPRING		*		1
54	SS6060210SP	SCREW 3/32-56 L=1.9		*		2
55	22901003	BED SCREW STUD				4
56	WT0530002KS	TOOTHED WASHER D=5.3				1
57	22935407	BED OIL SHIELD RUBBER				1
58	40099083	RULER STOP SEAT				1
59	SS7110720SP	SCREW 11/64-40 L=7				2
60	40126308	CORD_CLAMP				1
61	40111896	CORD_CLAMP				1
62	SS4120615SP	SCREW 3/16-28 L=6				1
63	40139555	THREAD_NIPPER_COMPONENTS	OPTIONAL PARTS			1
64	40156893	EMBLEM DDL900A F				1
65	40157335	OIL INJECTION CAUTION SEAL				1
66	40156894	EMBLEM DDL900A R				1
67	40140416	AK85B_DEVICE	OPTIONAL PARTS			1

BOBBIN WINDER COMPONENTS

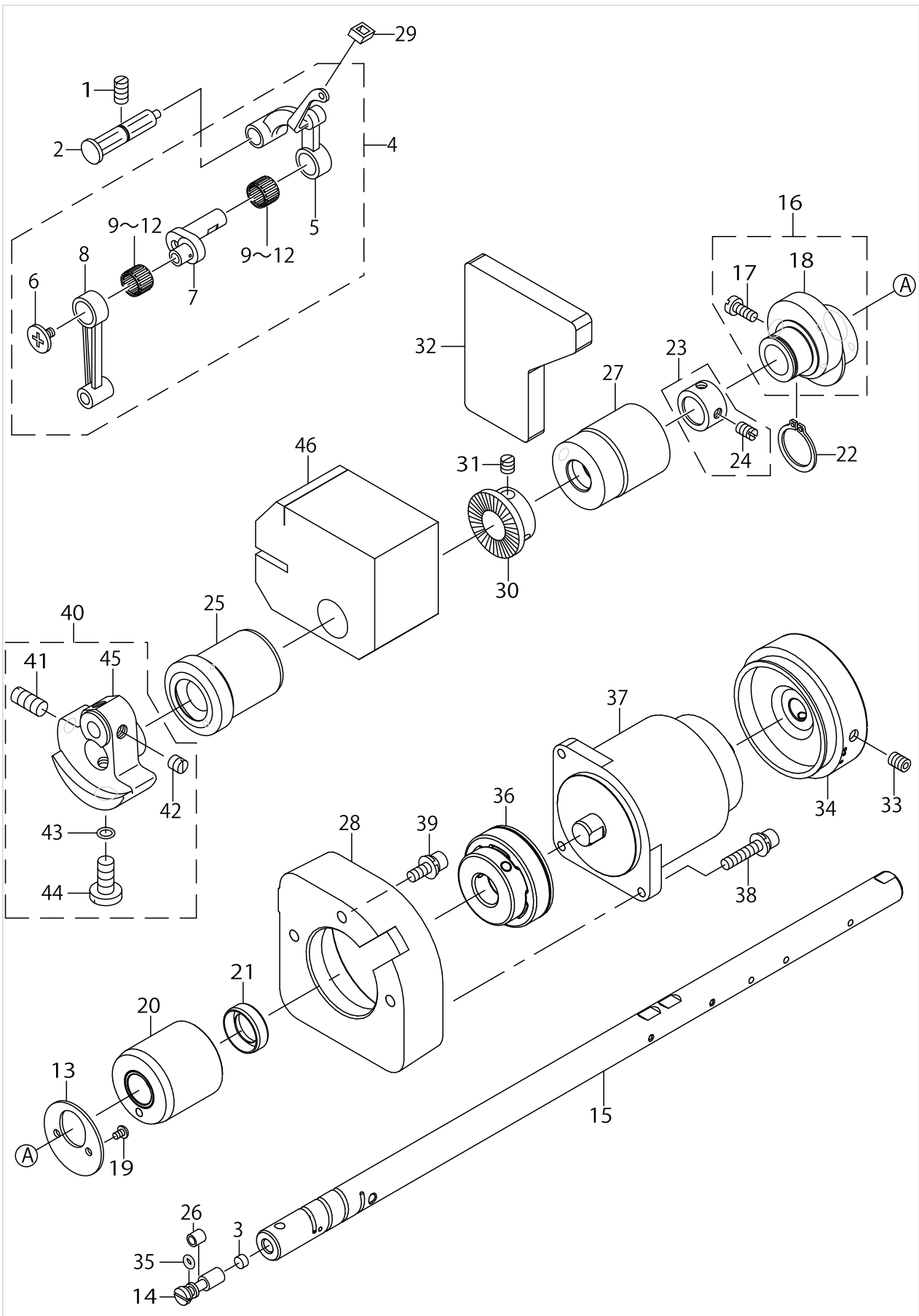


BOBBIN WINDER COMPONENTS

No.	Parts No.	Parts name	Remarks	Level	Cons	Qty
1	40110976	BOBBIN_WINDER_UNIT				1
2	26260109	BTW_BASE		*		1
3	26260208	BTW_CAM_PLATE		*		1
4	26260307	BTW_BASE_SHAFT		*		1
5	26260406	BTW_SHAFT_BASE		*		1
6	26260505	BTW_CAM_LEVER		*		1
7	26260604	BTW_WHEEL		*		1
8	26260802	BTW_BEARING_SPACER		*		1
9	26261008	BTW_LEVER_SHAFT		*		1
10	26261206	BTW_SPACER		*		1
11	26261305	BTW_BEARING		*		2
12	26261503	BTW_WHEEL_RUBBER		*	☆	1
13	26261602	BOBBIN_SPRING		*	☆	1
14	26261701	BTW_SPRING		*		1
15	40011144	BTW_TORSION_SPRING		*		1
16	40110975	BTW_SHAFT		*		1
17	40021933	BTW_LEVER		*		1
18	RC0560711KP	RETAINING RING		*		1
19	RE0400000K0	E-RING 4		*		1
20	SM5040655SN	SCREW		*		1
21	SM8040802TP	SCREW M4X8		*		2
22	SM8050502TP	SCREW M5 L=5		*		1
23	WP0450826SC	WASHER 4.5X10X0.8		*		1
24	40119475	OIL_GUARD		*		1
25	40110731	BOBBIN_THREAD_TENSION_ASSY				1
26	40110734	BOBBIN_THREAD_ROD_ASSY		*		1
27	NS6120630SP	NUT 3/16-28		*		1
28	22921506	THREAD TENSION DISK		*		2
29	D7133555B00	CONNECTING ROD SPRING		*		1
30	22945703	THREAD TENSION NUT		*		1
31	SM0050801SC	SCREW				1
32	40037008	THREAD_CUTTER				1
33	22538706	PACKING				1
34	40113241	BTW SPACER				1
35	SM0050801SC	SCREW				3



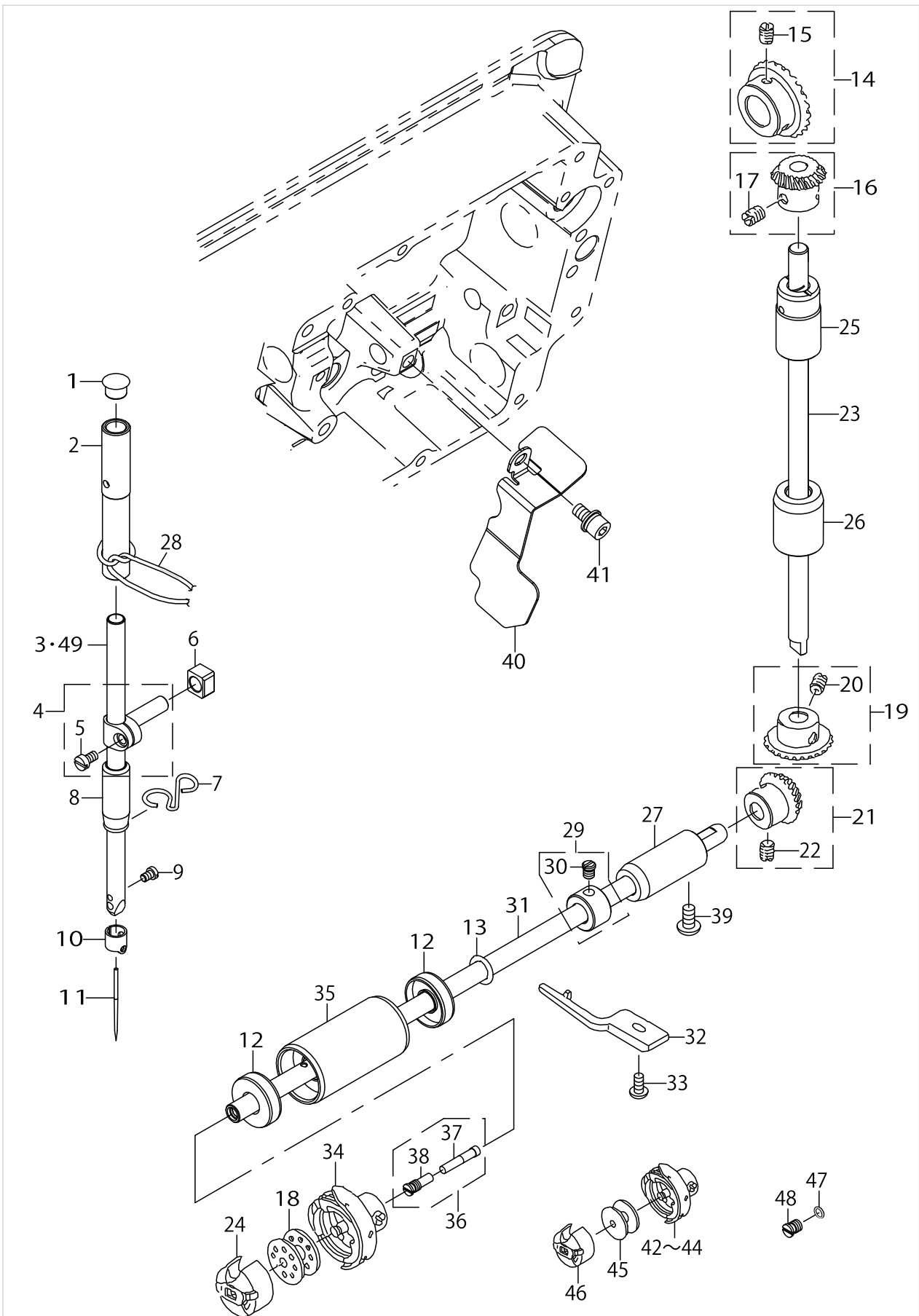
MAIN SHAFT & THREAD TAKE-UP LEVER COMPONENTS



MAIN SHAFT & THREAD TAKE-UP LEVER COMPONENTS

No.	Parts No.	Parts name	Remarks	Level	Cons	Qty
1	SS8151150TP	SCREW 15/64-28 L=10.5				1
2	22919559	THREAD TAKE-UP CRANK SHAFT ASM.				1
3	11002904	ROLLER FELT				1
4	22918072	THREAD TAKE-UP LEVER COMPL.				1
5	22918064	THREAD TAKE-UP LEVER ASM.		*		1
6	22918304	LEFT SCREW		*		1
7	22918106	NEEDLE BAR CRANK		*		1
8	22906606	NEEDLE BAR CRANK ROD		*		1
9	22918403	NEEDLE BEARING A	SELECTIVE PARTS	*		2
10	22918502	NEEDLE BEARING B	SELECTIVE PARTS	*		2
11	22918601	NEEDLE BEARING C	SELECTIVE PARTS	*		2
12	22918700	NEEDLE BEARING D	SELECTIVE PARTS	*		2
13	22910103	THRUST COLLAR				1
14	22903900	ADJUSTING PIN				1
15	40110977	MAIN_SHAFT				1
16	22910053	FEED DRIVE ECCENTRIC CAM ASM.				1
17	SS6661110SP	SCREW 1/4-40 L=11		*		2
18	22910004	FEED DRIVE ECCENTRIC CAM		*		1
19	SS4090615SP	SCREW 9/64-40 L=6				2
20	40110978	MAIN_SHAFT_BUSHING				1
21	40139216	OIL SEAL				1
22	RC1850001KP	SNAP RING 18.5				1
23	22904155	MAIN SHAFT THRUST COLLAR ASM.				1
24	SS8660610TP	SCREW 1/4-40 L=6		*		2
25	22903207	MAIN SHAFT BUSHING FRONT				1
26	B1215552000	OIL ADJUSTING COLLAR				1
27	22903306	BUSHING INTERMEDIATE				1
28	40110979	MAIN_MOTOR_BASE_76				1
29	22919203	OIL PROTECTING RUBBER				1
30	22538805	DRIVING WHEEL				1
31	SS8660610TP	SCREW 1/4-40 L=6				2
32	40111424	FILTER				1
33	SM80608A2TP	SCREW M6 L=8				2
34	40111872	HAND_PULLEY				1
35	RO029180100	RUBBER RING				1
36	40111025	COUPLING_ASM.				1
37	40140419	SERVO MOTOR				1
38	SL6052592TN	BOLT				3
39	SL6051492TN	BOLT				3
40	40110390	COUNTER_WEIGHT_ASM.				1
41	SS8681650TP	SCREW 9/32-28 L=16		*		1
42	SS8660610TP	SCREW 1/4-40 L=6		*		2
43	RO044240100	RUBBER RING		*		1
44	SS7681650TP	SCREW 9/32-28 L=16		*		1
45	40110376	COUNTER_WEIGHT		*		1
46	40156681	FILTER				1

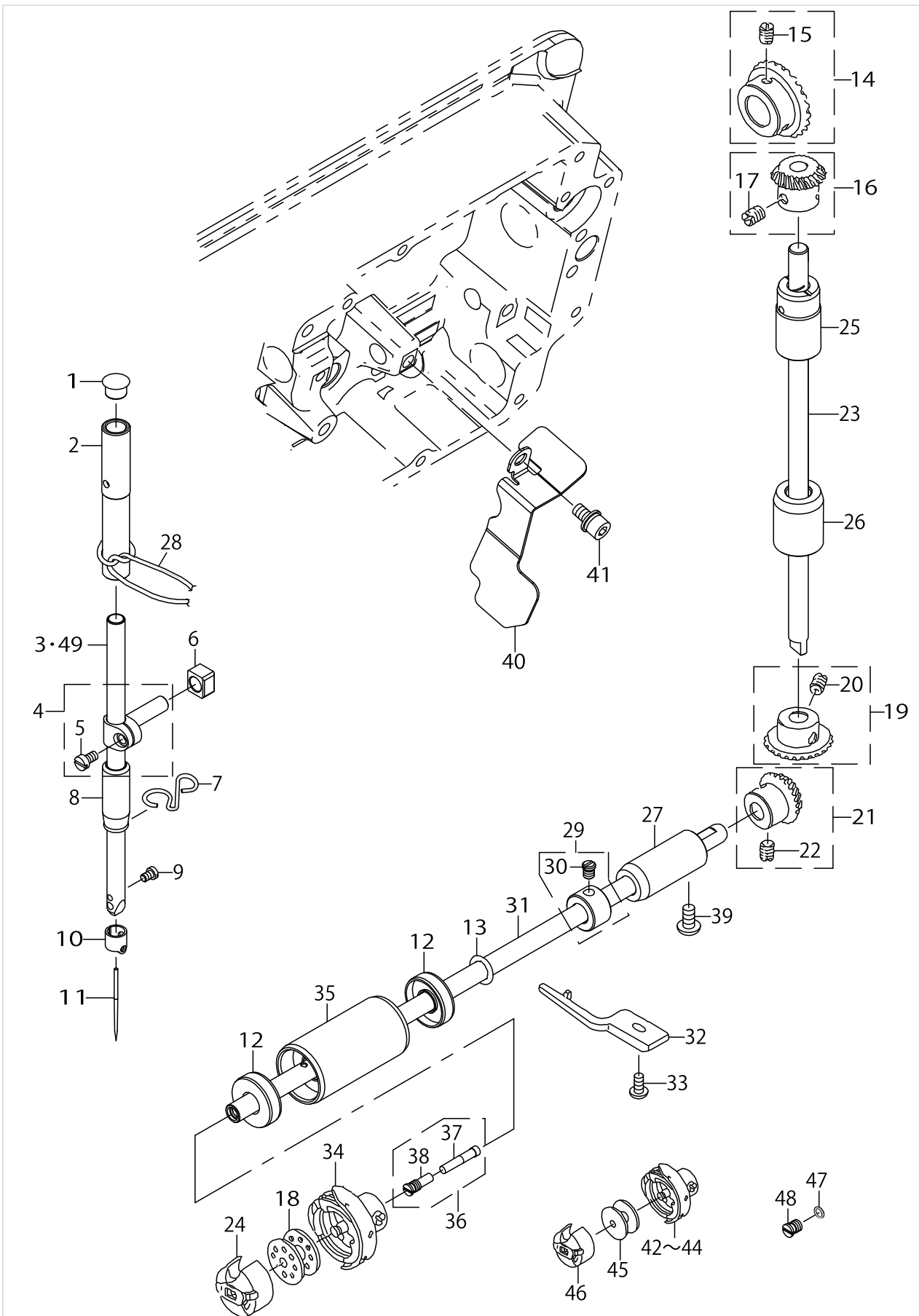
NEEDLE BAR, UPRIGHT SHAFT & HOOK DRIVING SHAFT COMPONENTS



NEEDLE BAR, UPRIGHT SHAFT & HOOK DRIVING SHAFT COMPONENTS

No.	Parts No.	Parts name	Remarks	Level	Cons	Qty
1	TA0850604R0	RUBBER PLUG				1
2	22906101	NEEDLE BAR BUSHING UPPER				1
3	22939508	NEEDLE BAR				1
4	22906457	NEEDLE BAR HOLDER ASM.				1
5	SS6090670TP	SCREW 9/64-40 L=6		*		1
6	40090058	SLIDE BLOCK				1
7	40141523	NEEDLE BAR THREAD GUIDE P				1
8	22906200	NEEDLE BAR BUSHING LOWER				1
9	SS7080510TP	SCREW 1/8-44 L=4.5			☆	1
10	22906309	NEEDLE BAR THREAD GUIDE				1
11	MDB100B1400	NEEDLE DBX1 #14			☆	1
12	40145927	OIL SEAL				2
13	RO069180100	RUBBER RING				1
14	40090002	UPPER LARGE BEVEL GEAR ASM.				1
15	SS8660810TP	SCREW 1/4-40 L=8		*		2
16	40090003	UPPER SMALL BEVEL GEAR ASM.				1
17	SS8660810TP	SCREW 1/4-40 L=8		*		2
18	22932909	BOBBIN			☆	1
19	40090004	LOWER LARGE BEVEL GEAR ASM.				1
20	SS8660810TP	SCREW 1/4-40 L=8		*		2
21	40090005	LOWER SMALL BEVEL GEAR ASM.				1
22	SS8660810TP	SCREW 1/4-40 L=8		*		2
23	22905004	UPRIGHT SHAFT				1
24	11038759	BOBBIN CASE ASM.			☆	1
25	22905103	UPRIGHT SHAFT BUSHING UPPER				1
26	22905202	UPRIGHT SHAFT BUSHING LOWER				1
27	22916308	HOOK DRIVING SHAFT BUSH REAR				1
28	CQ220000000	OUL WICK				0.3
29	22917157	THRUST COLLAR ASM. REAR				1
30	SS6110420TP	SCREW 11/64-40 L=4.8		*		2
31	40156687	HOOKDRIVING SHAFT				1
32	22942502	INNER HOOK PRESSER				1
33	SS4110915TP	SCREW 11/64-40 L=9				1
34	11038650	HOOK ASM.			☆	1
35	40156815	HOOK SHAFT METAL ASSY				1
36	22916555	OIL SEAL SCREW ASM.			☆	1
37	11015906	OIL WICK		*		1
38	22916506	SET SCREW		*		1
39	SS4120925SP	SCREW 3/16-28 L=9				1
40	40156698	GEAR OIL GUARD PLATE				1
41	SL6051092TN	BOLT				1
42	22890404	RP HOOK C	OPTIONAL PARTS		☆	1
43	22890206	RP HOOK	OPTIONAL PARTS		☆	1
44	22890305	RP HOOK S	OPTIONAL PARTS		☆	1
45	B9117552A00	BOBBIN	OPTIONAL PARTS		☆	1
46	22896252	BOBBIN CASE ASM.	OPTIONAL PARTS		☆	1
47	RO036080200	RUBBER RING	OPTIONAL PARTS			1

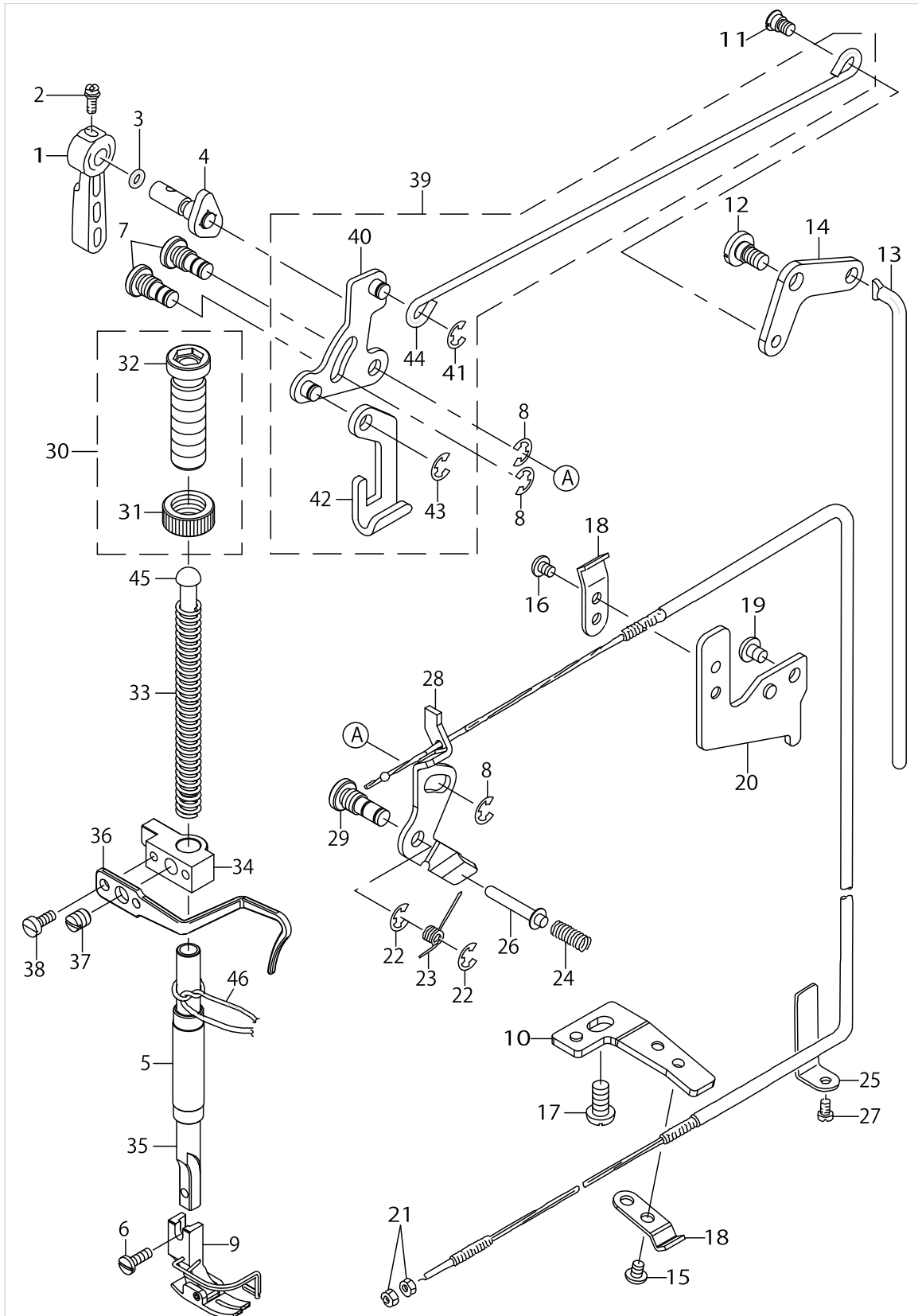
NEEDLE BAR, UPRIGHT SHAFT & HOOK DRIVING SHAFT COMPONENTS



NEEDLE BAR, UPRIGHT SHAFT & HOOK DRIVING SHAFT COMPONENTS

No.	Parts No.	Parts name	Remarks	Level	Cons	Qty
48	11079506	FRONT SCREW	OPTIONAL PARTS ACCORDING TO DESTINATIONS			1
49	22939607	NEEDLE BAR B				1

# HAND LIFTER COMPONENTS

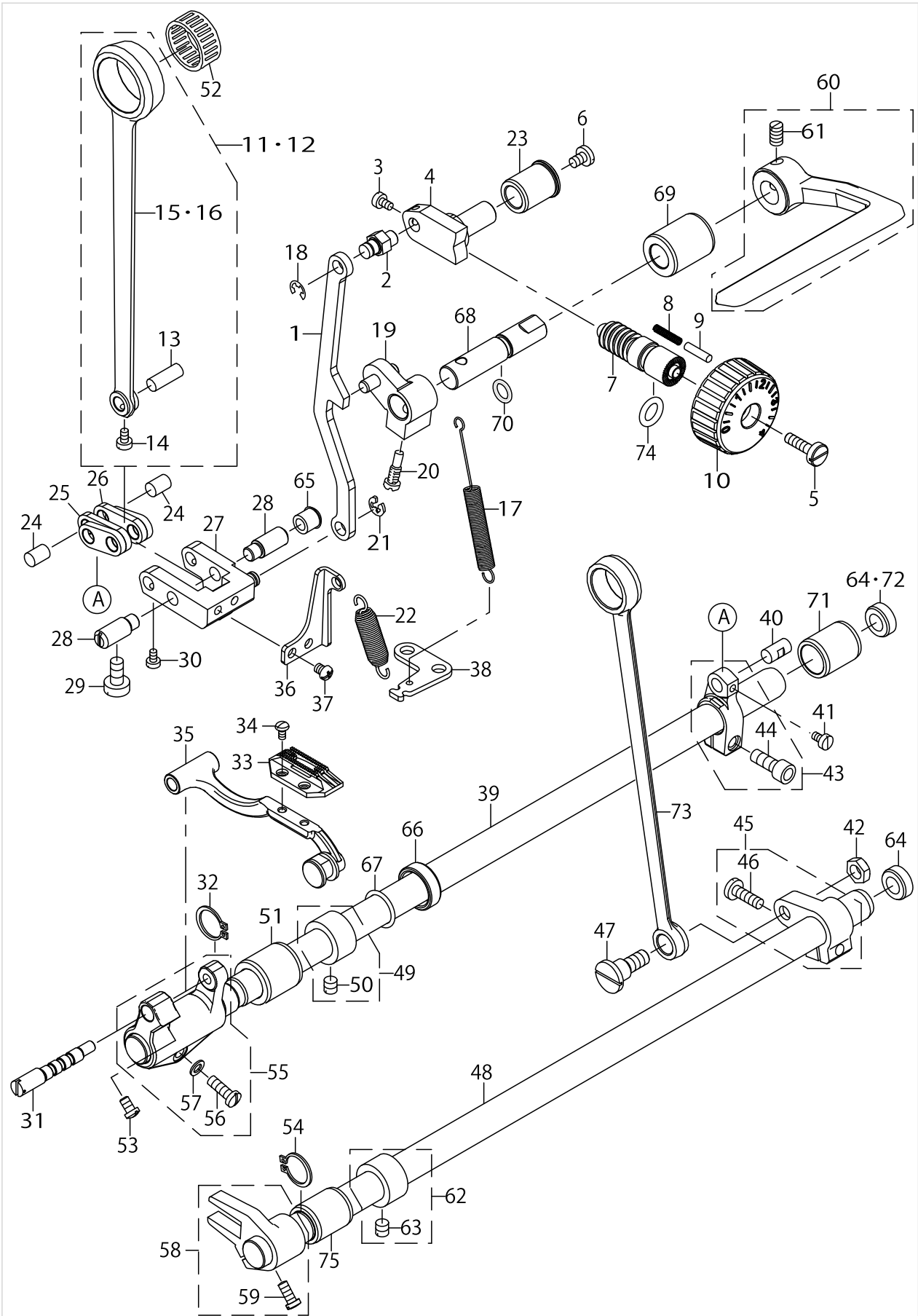


HAND LIFTER COMPONENTS

No.	Parts No.	Parts name	Remarks	Level	Cons	Qty
1	22907802	HAND LIFTER				1
2	B1521555000	SCREW				1
3	RO037180100	RUBBER RING				1
4	22908552	HAND LIFTER CAM ASM.				1
5	40060989	PRESSER BAR BUSHING LOWER				1
6	SS7091110TP	SCREW 9/64-40 L=10.5			☆	1
7	22908701	LINK SHAFT				2
8	RE0500000K0	E-RING				3
9	B15240120BA	PRESSER FOOT ASM.				1
10	22944706	WIRE PRESSER BASE LOWER				1
11	22908909	HINGE SCREW				1
12	SD0720331SP	HINGE SCREW D=7.24 H=3.3				1
13	22909006	KNEE LIFTER CONNECTING ROD				1
14	22908800	KNEE LIFTER LINK				1
15	SS4110515SP	SCREW 11/64-40 L=5				1
16	SS4110515SP	SCREW 11/64-40 L=5				1
17	SS4150915SP	SCREW 15/64-28 L=9				1
18	22944508	WIRE PRESSER A				2
19	SS4120615SP	SCREW 3/16-28 L=6				1
20	22944607	WIRE PRESSER BASE UPPER				1
21	NS6620310SP	NUT 3/16-32				2
22	RE0500000K0	E-RING				2
23	22920201	RETURN SPRING				1
24	22920409	THREAD RELEASE PIN SPRING				1
25	22945109	WIRE CABLE SUPPORT				1
26	22920300	THREAD RELEASE SUPPORTING PIN				1
27	SS4120615SP	SCREW 3/16-28 L=6				1
28	22944854	THREAD RELEASE WIRE ASM.				1
29	22920102	TENSION RELEASE SHAFT				1
30	22907554	PRESSER SPRING REGULATOR ASM.¥n				1
31	22907604	PRESSER SPRING REGULATOR NUT		*		1
32	22907505	PRESSER SPRING REGULATOR		*		1
33	22907406	PRESSER SPRING				1
34	22907208	PRESSER BAR GUIDE BRACKET				1
35	40017805	PRESSER BAR				1
36	22907307	THREAD GUIDE				1
37	SS8660810TP	SCREW 1/4-40 L=8				1
38	SS6090910SP	SCREW 9/64-40 L=9				2
39	22908354	KNEE LIFTING CROSS ROD ASM.				1
40	22908156	LIFTING LINK ASM.		*		1
41	RE0500000K0	E-RING		*		1
42	22908008	LIFTING PLATE		*		1
43	RE0500000K0	E-RING		*		1
44	22908305	KNEE LIFTER SIDE ROD		*		1
45	22907703	PRESSER GUIDE BAR				1
46	CQ202000000	OIL WICK				0.2



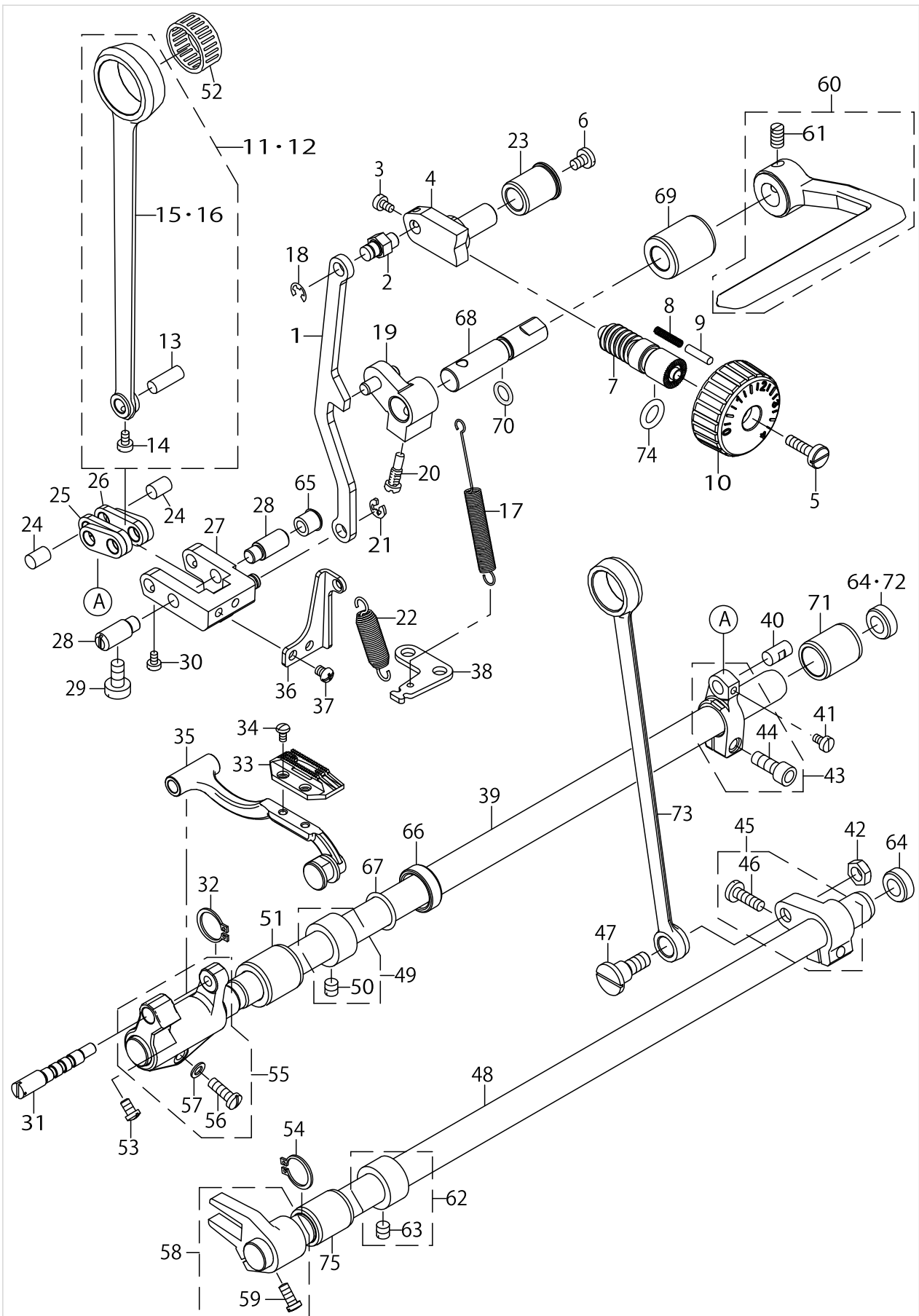
FEED MECHANISM COMPONENTS



FEED MECHANISM COMPONENTS

No.	Parts No.	Parts name	Remarks	Level	Cons	Qty
1	22941108	FEED ADJUST ROD				1
2	22911507	WALKING FOOT PIN C				1
3	SS6090670TP	SCREW 9/64-40 L=6				2
4	22911606	FEED REGULATOR				1
5	SS6121860SP	SCREW 3/16-28 L=18				1
6	SS7120770SH	SCREW 3/16-28 L=7				1
7	22911804	FEED REGULATOR SCREW				1
8	22912109	FEED REGULATOR PIN SPRING				1
9	22912000	FEED REGULATOR PIN				1
10	22940506	FEED DIAL				1
11	22910251	CONNECTING ROD ASM.				1
12	22913859	ROCKER SHAFT CONNECTING ROD B ASM.	ACCORDING TO DESTINATIONS			1
13	22911101	WALKING FOOT PIN C		*		1
14	SS6090620TP	SCREW		*		1
15	22910202	ROCKER SHAFT CONNECTING ROD		*		1
16	22913800	ROCKER SHAFT CONNECTING ROD B	ACCORDING TO DESTINATIONS	*		1
17	11010311	LEVER SPRING				1
18	RE0500000K0	E-RING				1
19	22912257	FEED REVERSE ARM ASM.				1
20	22912505	FEED REVERSE ARM SCREW				1
21	RE0500000K0	E-RING				1
22	11037405	SPRING				1
23	11009800	FEED REGULATOR BUSHING				1
24	22910905	WALKING FOOT PIN A				2
25	40089548	CONNECTING LINK B				2
26	40093417	CONNECTING LINK A				2
27	22940951	FEED ADJUST LINK ASM.				1
28	22910806	ADJUST LINK FULCRUM SHAFT A				2
29	SS6151220SP	SCREW 15/64-28 L=11.5				2
30	SS6090620TP	SCREW				2
31	40125485	FEED_BASE_SHAFT				1
32	RC0150001KP	RETAINING RING 13.8				1
33	B1613012I00	FEED DOG I				1
34	SS4080620TP	SCREW 1/8-44 L=6				2
35	22940753	FEED BAR ASM.				1
36	22941306	REGULATOR LINK SPRING HOOK				1
37	SS4110515SP	SCREW 11/64-40 L=5				2
38	22913701	FEED SPRING HOOK				1
39	40156684	FEED ROCKER SHAFT				1
40	22911002	WALKING FOOT PIN B				1
41	SS6090620TP	SCREW				1
42	NS6680410SP	NUT 9/32-28				1
43	40110379	ASSY_FEED_ROCKER_ARM				1
44	SS6121610SP	SCREW 3/16-28 L=15.5		*		1
45	40109422	FEED_ARM_ASM				1
46	SS7121610SP	SCREW 3/16-28 L=15.5		*		1

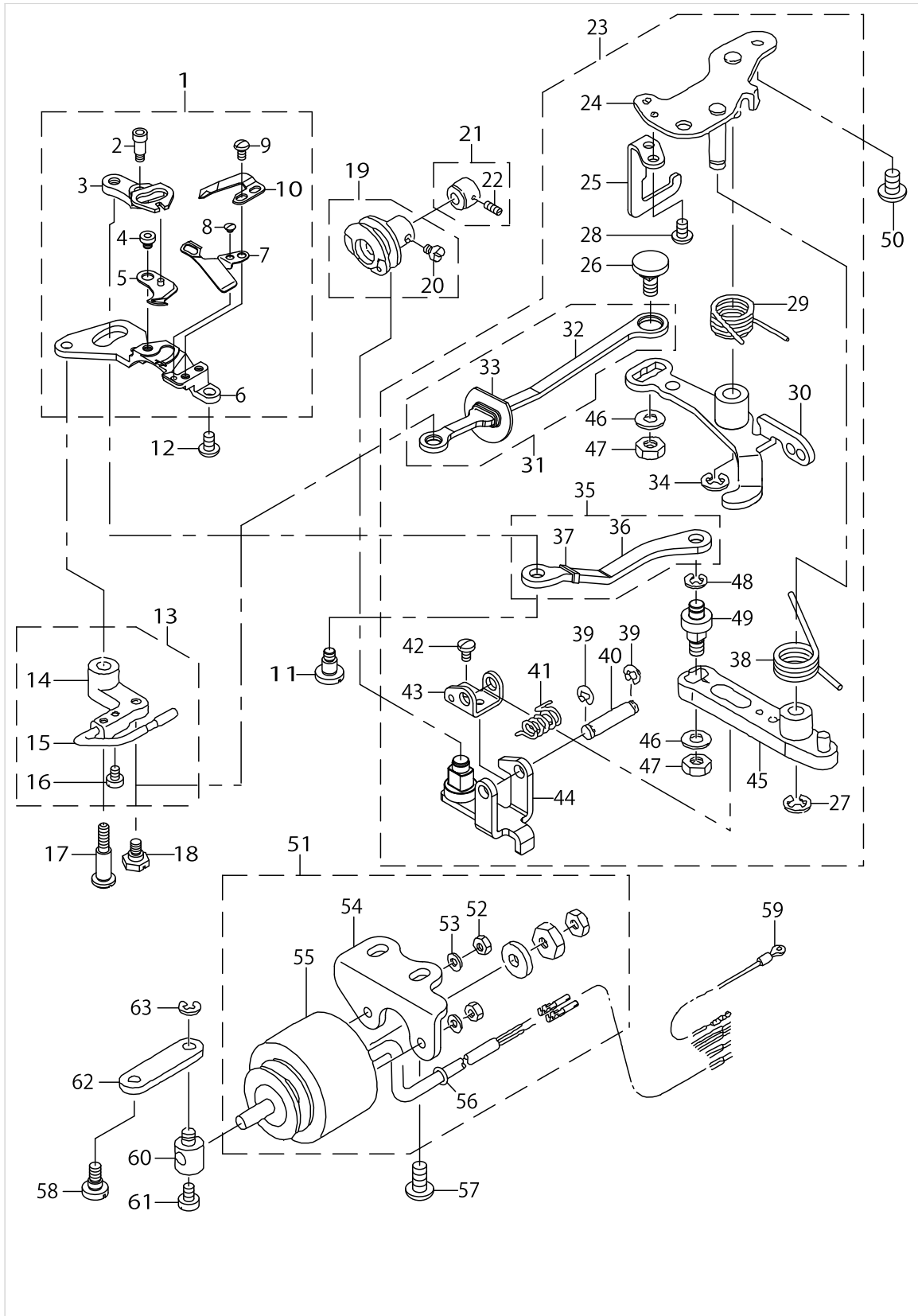
FEED MECHANISM COMPONENTS



FEED MECHANISM COMPONENTS

No.	Parts No.	Parts name	Remarks	Level	Cons	Qty
47	SD1000801SH	HINGE SCREW D=10 H=8				1
48	40156686	FEED DRIVING SHAFT				1
49	22904155	MAIN SHAFT THRUST COLLAR ASM.				1
50	SS8660610TP	SCREW 1/4-40 L=6		*		2
51	40156685	FEED ROCKER SHAFT BUSHING				1
52	40111897	BEARING	ACCORDING TO DESTINATIONS			1
53	SS7110740TP	SCREW 11/64-40 L=7				1
54	RC0150001KP	RETAINING RING 13.8				1
55	22940654	FEED ROCKER ASM.				1
56	SS7121410TP	SCREW 3/16-28 L=14		*		1
57	WP0480856SP	WASHER 4.8X8.4X0.8		*		1
58	22915359	DRIVING SHAFT CRANK ASM.				1
59	SS7111120SP	SCREW 11/64-40 L=10.5		*		1
60	40102264	FEED_REVER_ASM.				1
61	SM8061010TP	SCREW		*		2
62	22904155	MAIN SHAFT THRUST COLLAR ASM.				1
63	SS8660610TP	SCREW 1/4-40 L=6		*		2
64	40156758	FEED SHAFT RUBBER	ACCORDING TO MANUFACTURING BASE			2
65	TA0950806R0	RUBBER PLUG				1
66	40086740	OIL SEAL				1
67	RO133170100	RUBBER RING				1
68	40100812	FEED LEVER SHAFT				1
69	22912802	FEED LEVER SHAFT BUSHING				1
70	RO078190100	RUBBER RING				1
71	40158189	BUSHING	ACCORDING TO MANUFACTURING BASE			1
72	TA2000502R0	RUBBER PLUG	ACCORDING TO MANUFACTURING BASE			1
73	22915003	CONNECTING ROD				1
74	RO092270200	RUBBER RING				1
75	22913008	FEED ROCKER SHAFT BUSHING				1

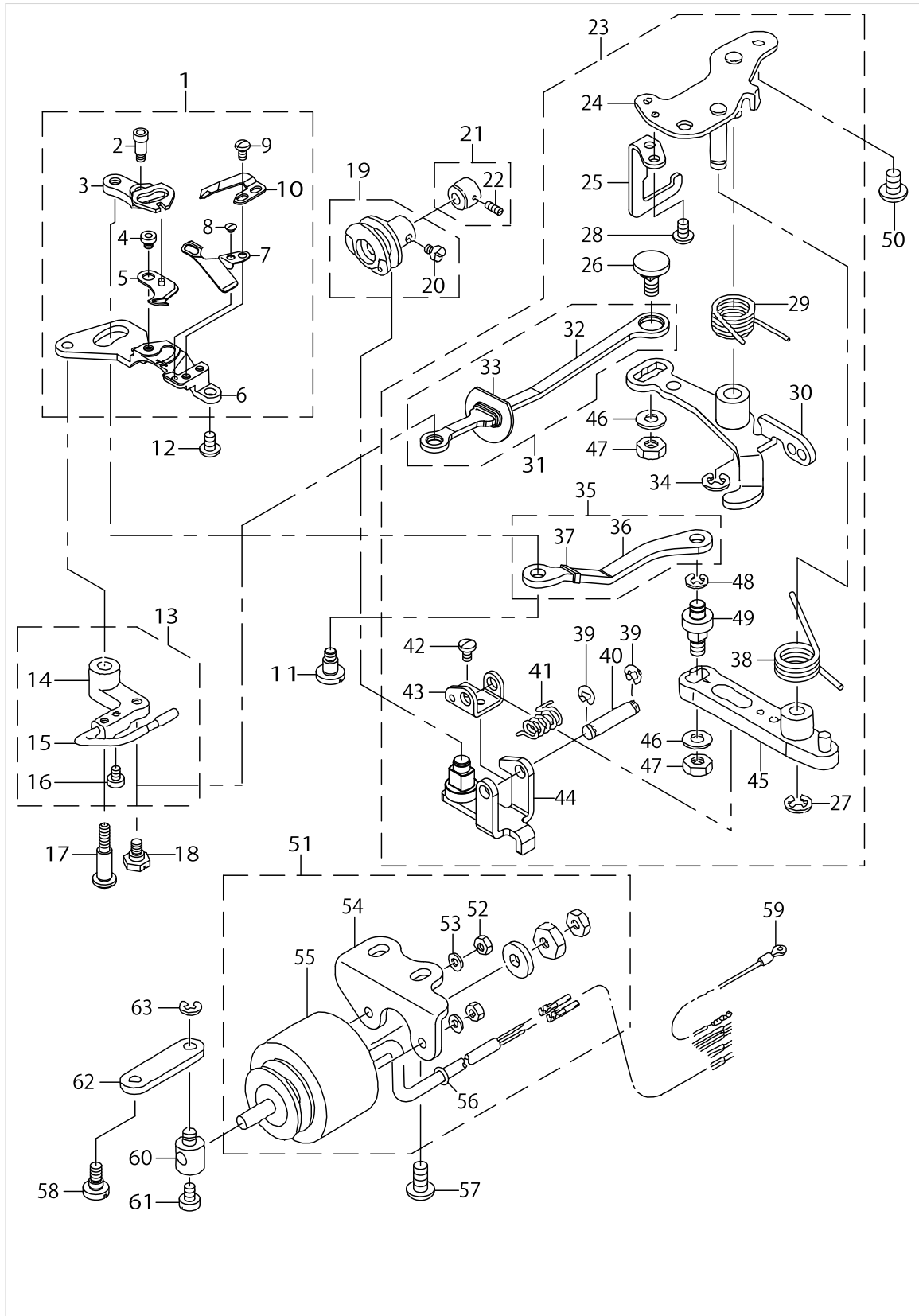
# THREAD TRIMMER COMPONENTS



THREAD TRIMMER COMPONENTS

No.	Parts No.	Parts name	Remarks	Level	Cons	Qty
1	40130579	KNIFE UNIT				1
2	SD0460703TP	HINGE SCREW D=4.6 H=7		*		1
3	22948202	FORKED BASE FOR KNIFE		*		1
4	11040409	MOVING KNIFE HINGE SCREW		*		1
5	11040052	MOVING KNIFE ASM.		*	☆	1
6	40130580	KNIFE INSTALLING BASE		*		1
7	22947808	THREAD GUIDE FOR KNIFE		*	☆	1
8	SS2060210SP	SCREW 3/32-56 L=2.3		*		1
9	SS4080620TP	SCREW 1/8-44 L=6		*		2
10	D2406555D0H	COUNTER KNIFE		*	☆	1
11	SD0640631TP	HINGE SCREW D=6.35 H=6.3				1
12	SS4110715SP	SCREW 11/64-40 L=7				1
13	22950257	PICKER ARM ASM.				1
14	22950208	PICKER ARM		*		1
15	22950356	HOOK THREAD PRESSER ASM.		*	☆	1
16	SS6090510TP	SCREW 9/64-40 L=5.0		*		2
17	SD0641451SP	HINGE SCREW D=6.35 H=14.5				1
18	SD0630275SP	HINGE SCREW D=6.35 H=2.7				1
19	22950851	THREAD TRIMMER CAM ASM.				1
20	SS6660610TP	SCREW 1/4-40 L=6		*		2
21	22950950	CAM COLLAR ASM.				1
22	SS8110520TP	SCREW 11/64-40 L=4.5		*		1
23	40156728	THREAD TRIMMER DRIVING UNIT				1
24	22949754	BASE PLATE ASM.		*		1
25	22950703	DRIVING ARM STOPPER		*		1
26	22950000	PICKER LINK PIN		*		1
27	RE0600000K0	E-RING 6		*		1
28	SS4110715SP	SCREW 11/64-40 L=7		*		2
29	22949408	CLUTCH SPRING		*		1
30	40087245	CLUTCH PLATE ASM.		*		1
31	40156999	PICKER_LINK_ASM		*		1
32	40156699	PICKER LINK		*		1
33	40156721	PICKER LINK RUBBER		*		1
34	RE0600000K0	E-RING 6		*		1
35	40157336	MOVING KNIFE LINK ASM.		*		1
36	22948301	MOVING KNIFE LINK		*		1
37	22919203	OIL PROTECTING RUBBER		*		1
38	22949309	KNIFE RETURN SPRING B		*		1
39	RE0400000K0	E-RING 4		*		2
40	22949101	ROLLER FULCRUM SHAFT		*		1
41	22949200	ROLLER RETURN SPRING		*		1
42	SS7090610SP	SCREW 9/64-40 L=6		*		1
43	22949002	ROLLER ARM SEAT		*		1
44	11040953	ROLLER ARM ASM.		*		1
45	22948558	KNIFE DRIVING ARM ASM.		*		1
46	WP0621016SH	WASHER		*		2
47	NS6150430SP	NUT 15/64-28		*		2

# THREAD TRIMMER COMPONENTS

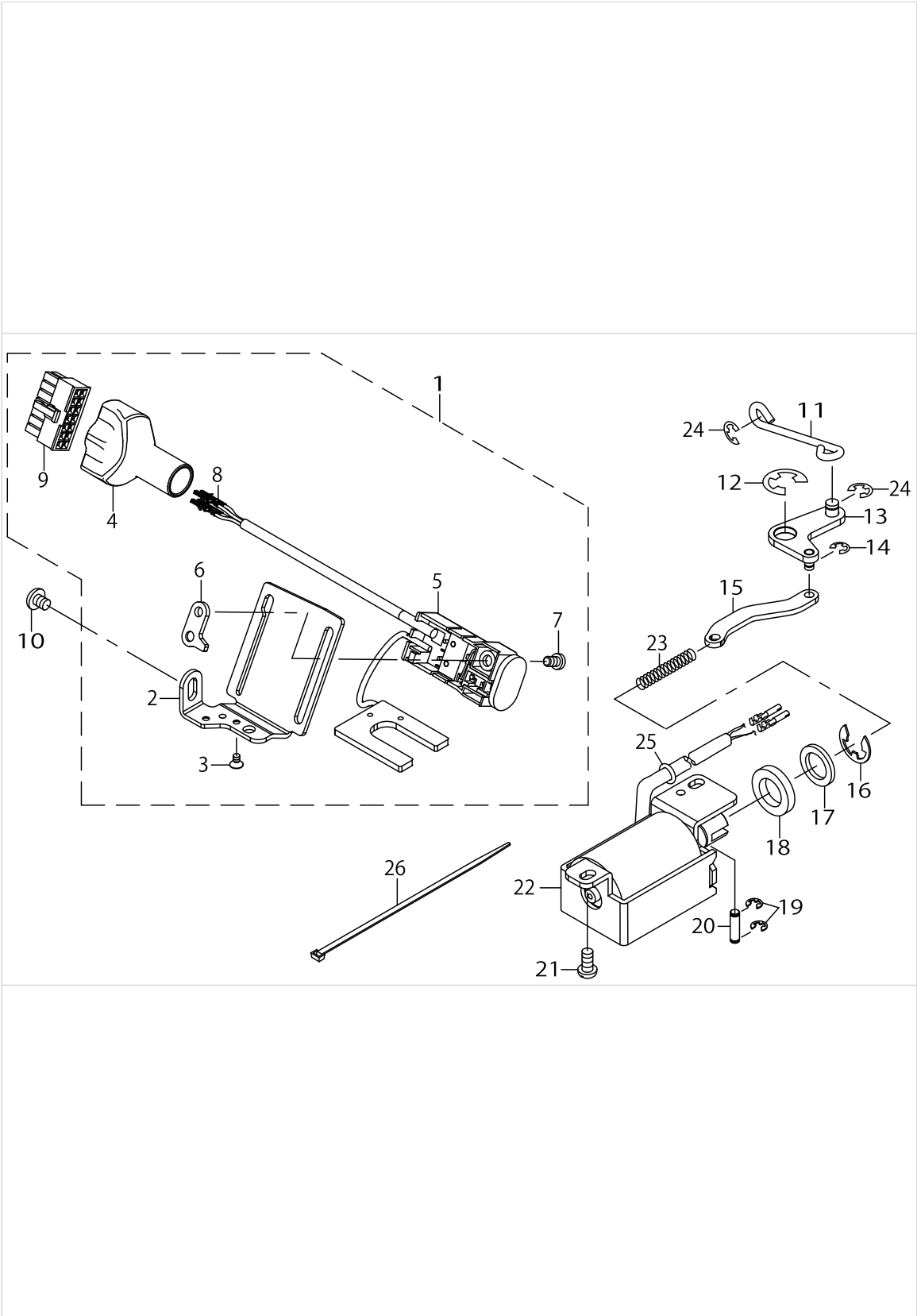


THREAD TRIMMER COMPONENTS

No.	Parts No.	Parts name	Remarks	Level	Cons	Qty
48	RE050000K0	E-RING		*		1
49	22948400	MOVING KNIFE LINK PIN		*		1
50	SS4150915SP	SCREW 15/64-28 L=9				2
51	40156700	THREAD TRIMMER SOLENOID ASM.				1
52	NM6040001SE	NUT M4		*		2
53	WS0410002KR	SPRING WASHER M4		*		2
54	22951404	SOLENOID BASE		*		1
55	40156701	THREAD TRIMMER SOLENOID		*		1
56	RO044240100	RUBBER RING		*		1
57	SS4151215SP	SCREW 15/64-28 L=12				2
58	SD0600361SP	HINGE SCREW D=6 H=3.6				1
59	40112907	GROUND WIRE ASM.				1
60	22951008	SOLENOID PIN				1
61	SS6110710TP	SCREW 11/64-40 L=6.5				1
62	22949903	CLUTCH LINK				1
63	RE050000K0	E-RING				1



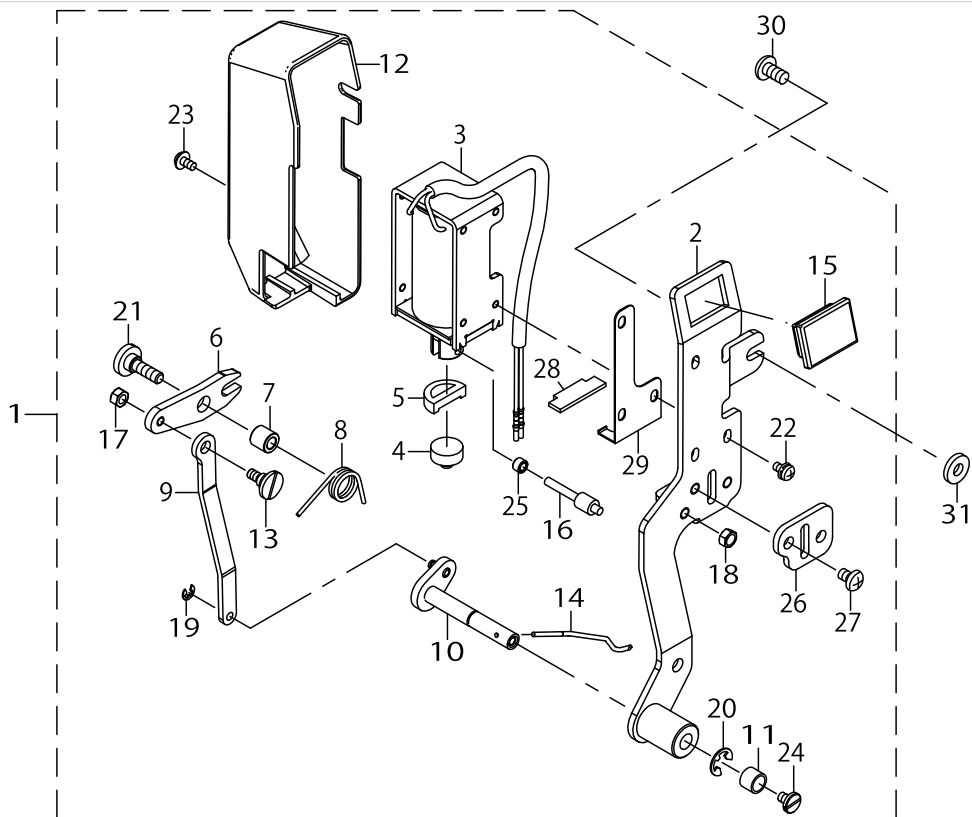
AUTOMATIC REVERSE FEED COMPONENTS



AUTOMATIC REVERSE FEED COMPONENTS

No.	Parts No.	Parts name	Remarks	Level	Cons	Qty
1	40148382	LED_BT_SWITCH_ASSY			☆	1
2	40139771	LED_BASE		*		1
3	40140191	LED_SCREW		*		2
4	40140306	CONNECTOR_COVER		*		1
5	40149069	LED_BT_SWITCH		*		1
6	23632102	REVERSE FEED SWITCH BASE GUIDE		*		1
7	SS7110740TP	SCREW 11/64-40 L=7		*		1
8	HK03464000B	PIN CONTACT		*		4
9	HK034610140	HOUSING 14P		*		1
10	SS4120615SP	SCREW 3/16-28 L=6				1
11	11101300	REVERSE FEED CONNECTING SHAFT				1
12	RE0900000K0	E-RING 9				1
13	22953657	CONNECTING ARM ASM.				1
14	RE0400000KP	E-RING 4				1
15	40156723	AUTO-BACK_SOLENOID_LINK				1
16	RE1200000K0	E-RING 12				1
17	WP1602616SZ	WASHER 16X24X2.6				1
18	22953400	RUBBER PLUNGER				1
19	RE0400000K0	E-RING 4				2
20	22953509	PLUNGER ARM PIN				1
21	SS4151215SP	SCREW 15/64-28 L=12				2
22	40156722	REVERSE_FEED_SOLENOID				1
23	22954002	PLUNGER SPRING				1
24	RE0500000KP	E-RING 5				2
25	RO044240100	RUBBER RING				1
26	HX00065000A	CABLE CLIP				1

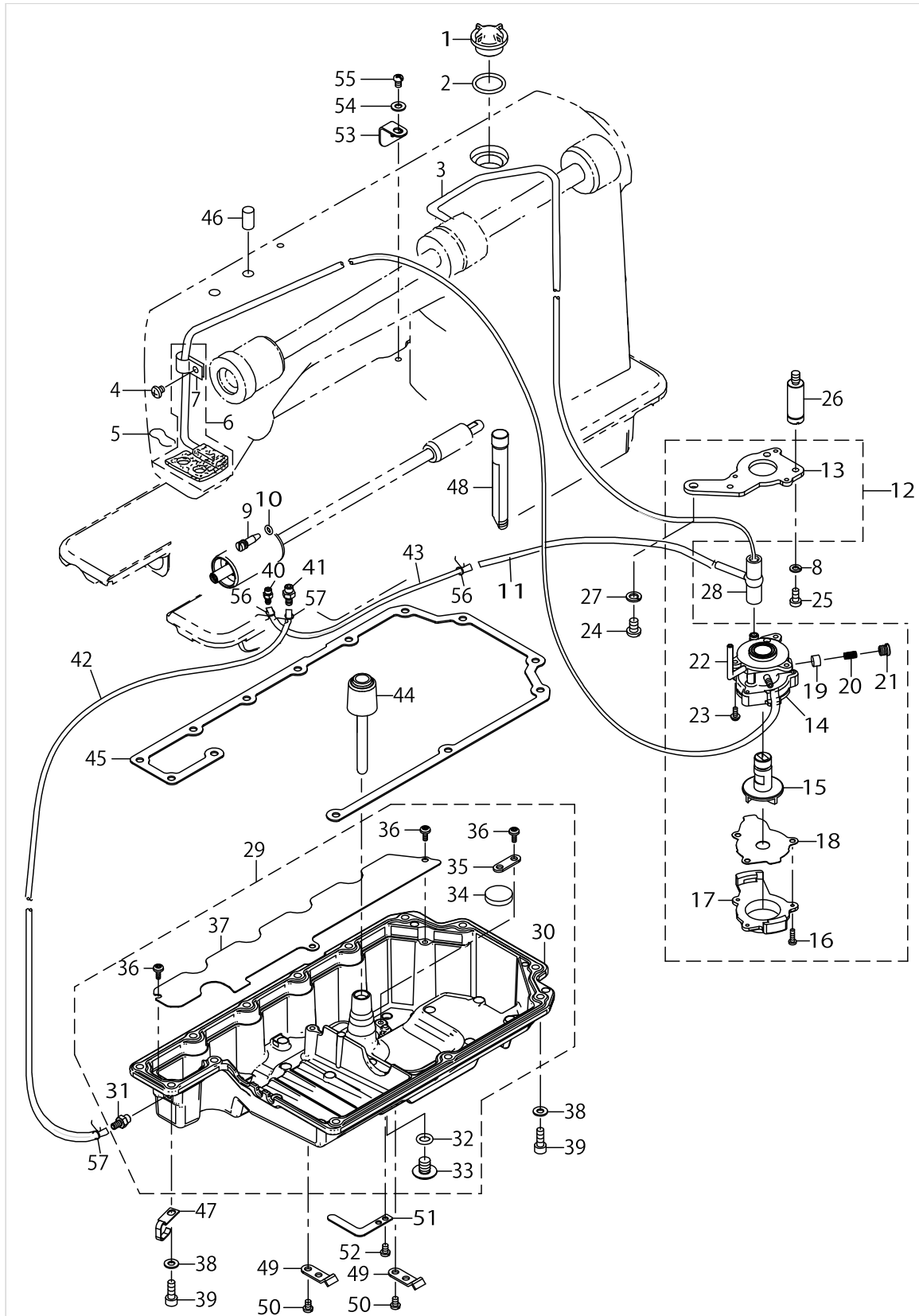
# WIPER COMPONENTS



WIPER COMPONENTS

No.	Parts No.	Parts name	Remarks	Level	Cons	Qty
1	40140992	WIPER_ASSY				1
2	40140994	WIPER_BASE_ASSY		*		1
3	40110999	WIPER SOLENOID		*		1
4	22955900	WIPER RUBBER A		*		1
5	22956007	WIPER RUBBER B		*		1
6	22956106	WIPER LINK A		*		1
7	22956205	WIPER HINGE SCREW COLLAR		*		1
8	22956304	WIPER SPRING		*		1
9	22956403	WIPER LINK B		*		1
10	40041419	WIPER LINK C ASM.		*		1
11	22956809	WIPER COLLAR		*		1
12	22955504	WIPER COVER		*		1
13	22956908	WIPER LINK B HINGE SCREW		*		1
14	40140991	WIPER		*		1
15	40086678	WIPER_SW_RUBBER		*		1
16	40077852	WIPER SOLENOID SHAFT		*		1
17	NS6090310SP	NUT 9/64-40		*		1
18	NS6110310SP	NUT 11/64-40		*		1
19	RE0250000K0	E-RING 2.5		*		1
20	RE0500000K0	E-RING		*		1
21	SD0650321TP	HINGE SCREW D=6.5 H=3.2		*		1
22	SL4030641SE	SCREW		*		3
23	SL4030631SC	SCREW M3X6		*		1
24	SS6090540SP	SCREW 9/64-40 L=5.0		*		1
25	22957203	WIPER LINK COLLAR		*		1
26	40077851	WIPER SOLENOID SHAFT GUIDE		*		1
27	SS4110615SP	SCREW 11/64-40 L=6		*		2
28	40086679	WIPER_STOPPER_RUBBER		*		1
29	40037500	RUBBER HOLDER		*		1
30	SS4120925SP	SCREW 3/16-28 L=9				1
31	WP0482086SD	WASHER 4.8X11.5X2				1

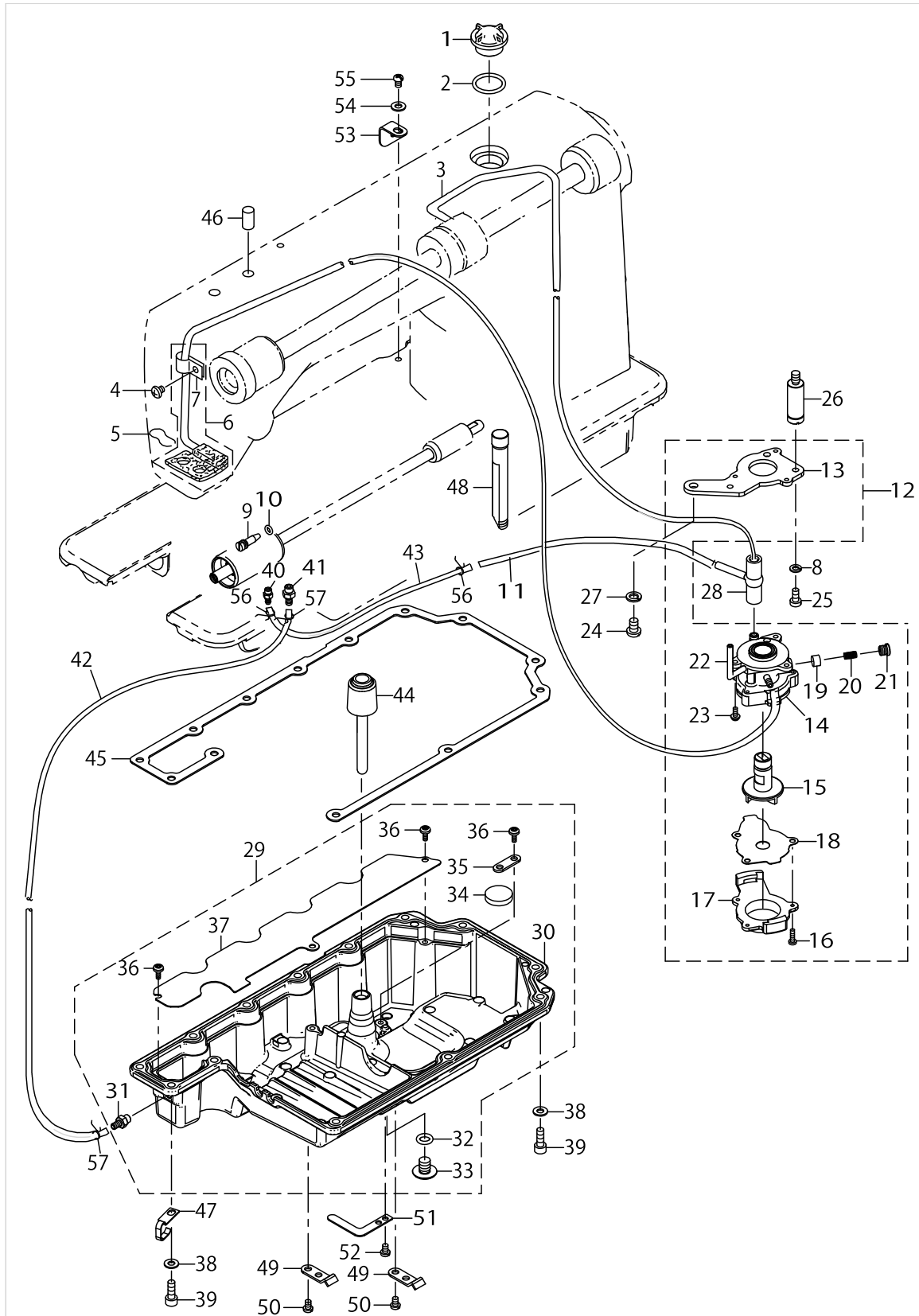
OIL LUBRICATION COMPONENTS



OIL LUBRICATION COMPONENTS

No.	Parts No.	Parts name	Remarks	Level	Cons	Qty
1	22924708	OIL SIGHT WINDOW				1
2	RO195240100	RUBBER RING				1
3	22924401	MAIN SHAFT OIL TUBE				1
4	SS4120615SP	SCREW 3/16-28 L=6				1
5	22925101	OIL FELT PRESSER				1
6	22924153	OIL RETURN TUBE ASM.				1
7	22924302	HOLDER		*		1
8	WS0451040KP	SPRING WASHER 4.5X8.5X1				0.3
9	40037502	OIL ADJUSTING SCREW				1
10	RO037180100	RUBBER RING				1
11	40156696	HOOK OIL PIPE				1
12	22923056	LUBRICATING OIL PUMP ASM.				1
13	22923312	OIL PUMP INSTALLING BASE		*		1
14	22923015	OIL PUMP		*		1
15	22923700	OIL PUMP IMPELLER		*		1
16	SE4301041SR	SCREW D=3 L=10		*		1
17	22923205	LUBRICATING OIL PUMP COVER		*		1
18	22923809	OIL PUMP IMPELLER COVER		*		1
19	22923403	PLUNGER		*		1
20	22923601	PLUNGER SPRING		*		1
21	22923502	PLUNGER SCREW		*		1
22	22923908	HOOK DRIVING SHAFT OIL TUBE		*		1
23	SL4030851SF	SCREW M3 L=8		*		3
24	SS4150915SP	SCREW 15/64-28 L=9				1
25	SS6111010TP	SCREW 11/64-40 L=9.5				1
26	22947105	OIL PUMP SUPPORT				1
27	WS0651310KP	SPRING WASHER 6.5X11X1.3				1
28	22924609	RUBBER JOINT				1
29	40156691	OIL SHIELD ASSY				1
30	40156692	OIL SHIELD		*		1
31	SQ2060451MZ	CONNECTING SCREW		*		1
32	13170105	RUBBER RING		*		1
33	13171004	DRAIN SCREW		*		1
34	B8228125000	OIL RESERVOIR MAGNET		*		1
35	40024644	MAGNET WASHER		*		1
36	ST4040821SS	TAPPING SCREW		*		1
37	40156693	DECK PLATE		*		4
38	WP0501016SD	WASHER 5X10.5X1				13
39	SM6051402TP	SCREW M5X0.8 L=14				13
40	SQ2050453MZ	CONNECTING SCREW				1
41	SQ2060451MZ	CONNECTING SCREW				1
42	23630007	TUBE				0.1
43	23630007	TUBE				0.1
44	40156694	KNEE LIFTER PUSH ROD				1
45	40156695	OIL SHIELD PACKING				1
46	11039203	FELT				1
47	40136258	CORD HOLDER				1

OIL LUBRICATION COMPONENTS

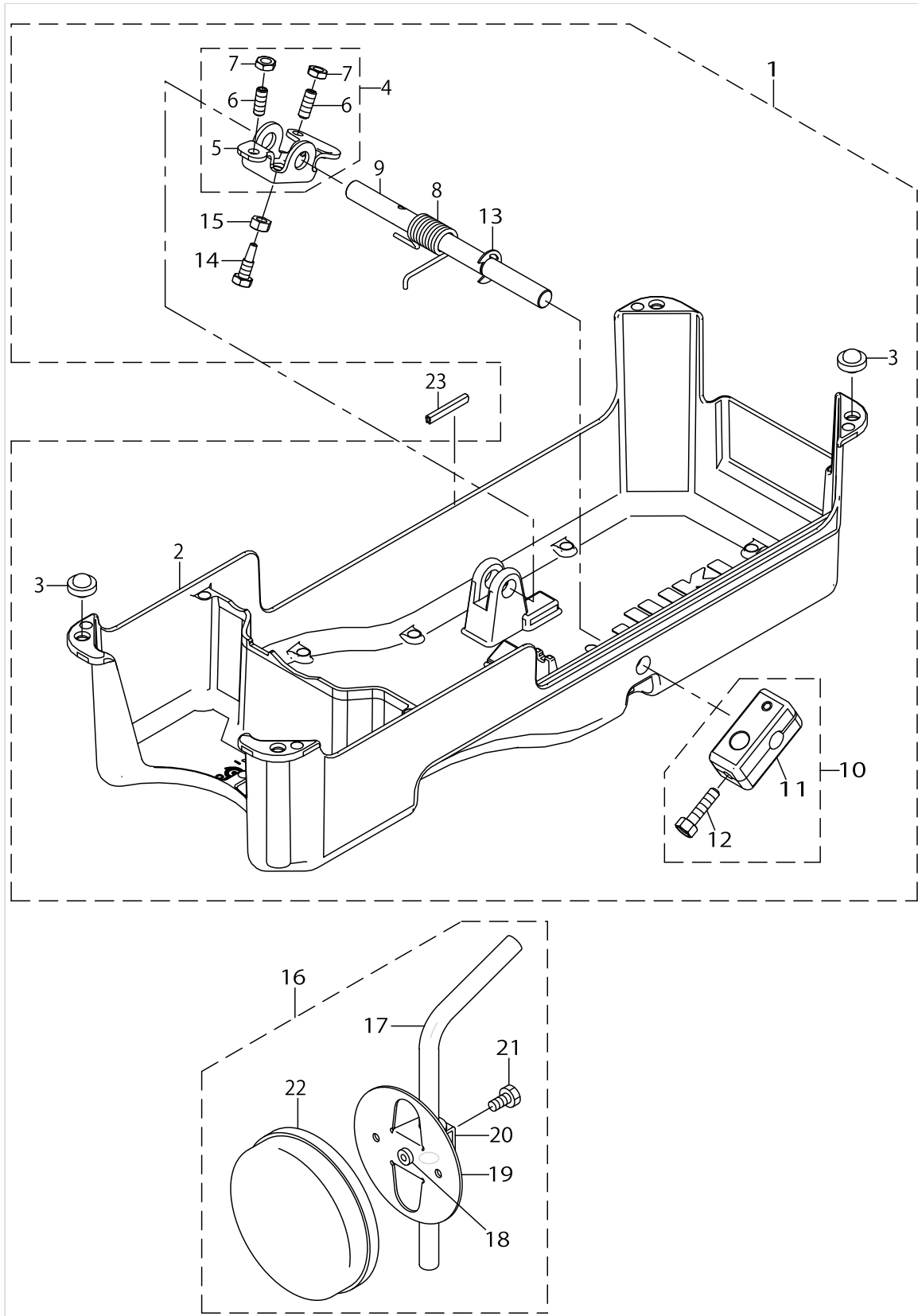


OIL LUBRICATION COMPONENTS

No.	Parts No.	Parts name	Remarks	Level	Cons	Qty
48	40156690	OIL SIGHT GAUGE				1
49	22944508	WIRE PRESSER A				2
50	SM4040655SP	SCREW M4 L=6				2
51	13101407	LOOPER COVER PRESSER PLATE				1
52	SM4040655SP	SCREW M4 L=6				1
53	40028281	FEED_ADJUSTING_STOPPER				1
54	WP0501016SD	WASHER 5X10.5X1				1
55	SS4110615SP	SCREW 11/64-40 L=6				1
56	23629306	PIPE STOPPER A				2
57	40162044	PIPE STOPPER				2



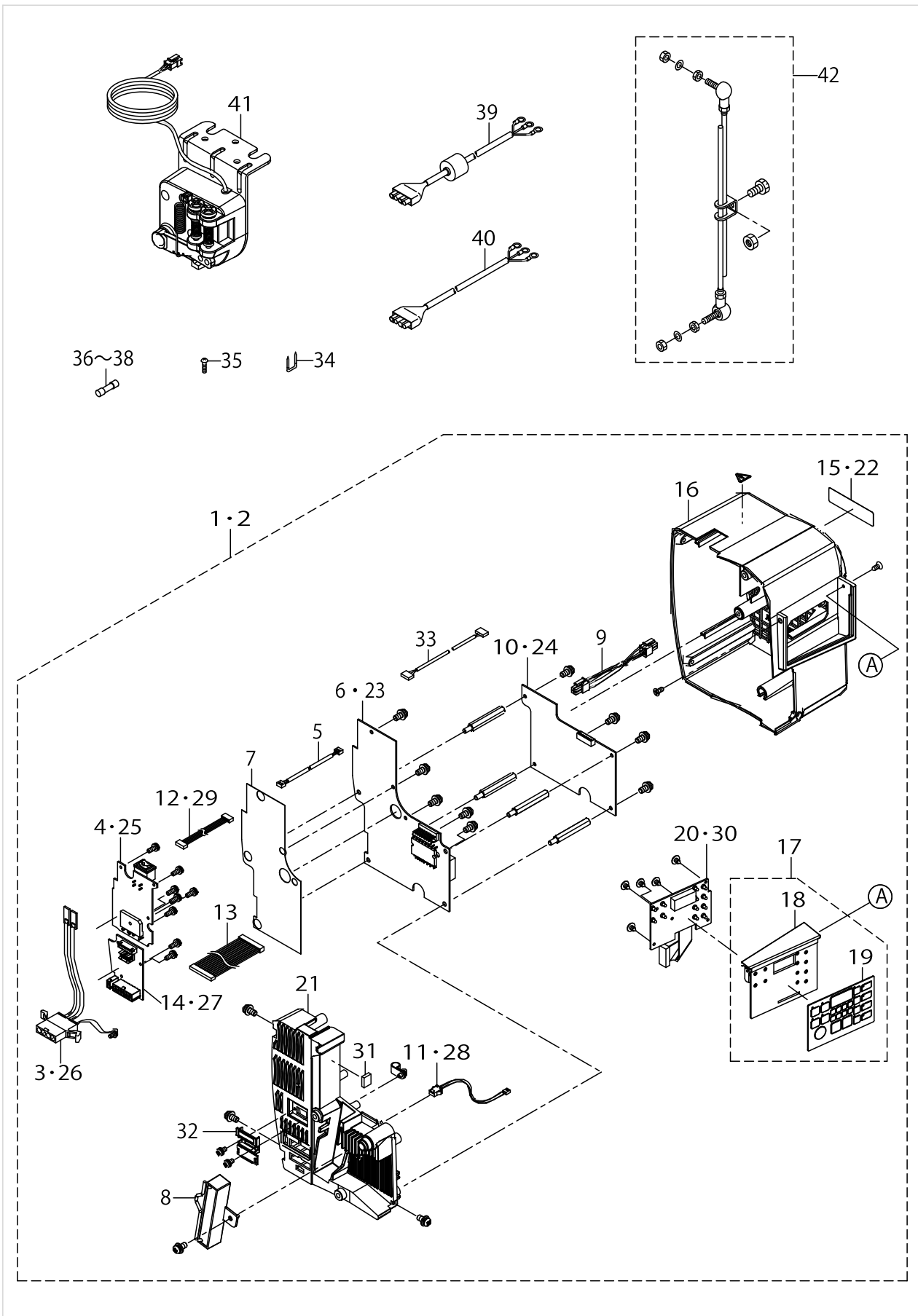
OIL RESERVOIR COMPONENTS



OIL RESERVOIR COMPONENTS

No.	Parts No.	Parts name	Remarks	Level	Cons	Qty
1	40156724	UNDER COVER ASSY				1
2	40156727	UNDER COVER		*		1
3	B1116210D00	FRAME SUPPORT RUBBER		*		4
4	40156725	KNEE LIFTER ROTATION ARM ASM.		*		1
5	22932107	KNEE LIFTER ROTATING ARM		*		1
6	SM8061612TP	SCREW M6X16		*		2
7	NM6060003SC	NUT M6		*		2
8	40156726	KNEE LIFTER SPRING		*		1
9	40101541	KNEE_PRESS_CROSS_SHAFT		*		1
10	22932453	BRACKET ASM.		*		1
11	22932404	BRACKET		*		1
12	22934707	SCREW		*		2
13	RE1000000K0	E-RING 10		*		1
14	SM9062563TR	SCREW M6 L=25		*		1
15	NM6060001SE	NUT M6		*		1
16	22934251	KNEE PAD PLATE ASM.				1
17	22934608	KNEE PAD UPRIGHT SHAFT		*		1
18	22934400	KNEE PAD PLATE RUBBER		*		1
19	22934202	KNEE PAD PLATE		*		1
20	22934301	KNEE PAD PLATE SUPPORT		*		1
21	SM9061203SE	SCREW M6 L=12		*		1
22	22934509	KNEE PAD PLATE COVER		*		1
23	HX006690000	GROMMET				0.03

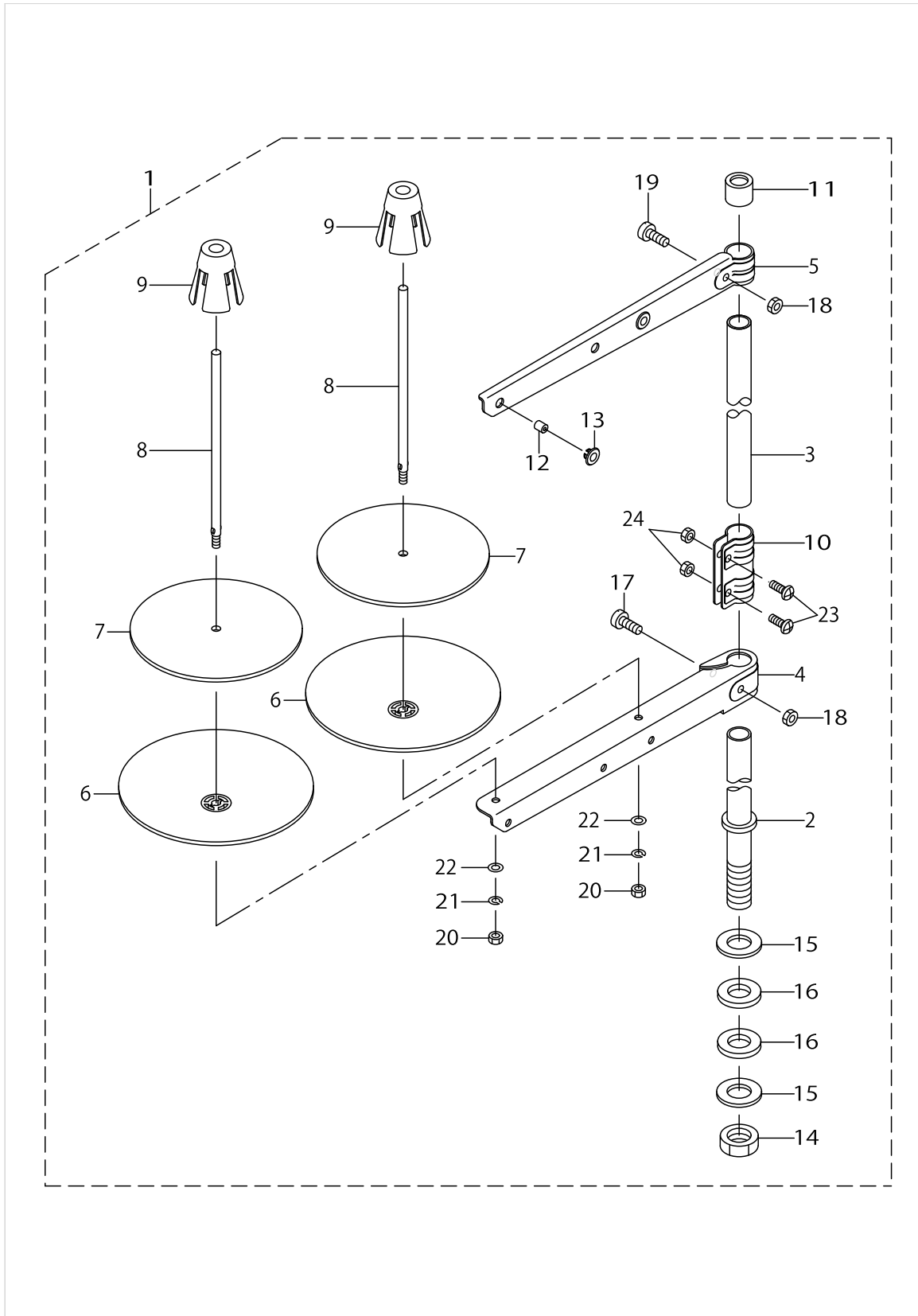
PSC UNIT



PSC UNIT

No.	Parts No.	Parts name	Remarks	Level	Cons	Qty
1	40156704	CONTROL BOX	VARIOUS NOS. FOR DESTINATIONS			1
2	40156705	CONTROL BOX CE	FOR CE			1
3	40141200	AC INPUT CORD ASSY	VARIOUS NOS. FOR DESTINATIONS	*		1
4	40141201	FLT PCB ASSY	VARIOUS NOS. FOR DESTINATIONS	*		1
5	40141203	INPUT CHECK CORD ASSY		*		1
6	40141204	PWR PCB ASSY	VARIOUS NOS. FOR DESTINATIONS	*		1
7	40141205	PWR PCB FILM SHEET		*		1
8	40141206	RESISTANCE_A_ASSY		*		1
9	40141207	DC POWER SUPPLY CORD ASSY		*		1
10	40141208	CTL PCB ASSY	VARIOUS NOS. FOR DESTINATIONS	*		1
11	40141209	PEDAL CORD ASSY	VARIOUS NOS. FOR DESTINATIONS	*		1
12	40141210	SOL POWER CORD ASSY	VARIOUS NOS. FOR DESTINATIONS	*		1
13	40141211	SOL SIGNAL CORD ASSY		*		1
14	40141212	SOL PCB ASSY	VARIOUS NOS. FOR DESTINATIONS	*		1
15	40156706	RATING LABEL A DRAWING	VARIOUS NOS. FOR DESTINATIONS	*		1
16	40141217	PSC COVER		*		1
17	40141214	PANEL COVER ASSY		*		1
18	40141215	PANEL COVER		*		1
19	40141216	MEMBRANE SWITCH		*		1
20	40141213	PNL PCB ASSY	VARIOUS NOS. FOR DESTINATIONS	*		1
21	40141199	FRAME		*		1
22	40156707	RATING LABEL C DRAWING	FOR CE	*		1
23	40145554	PWR-CE PCB ASSY	FOR CE	*		1
24	40145555	CTL-CE PCB ASSY	FOR CE	*		1
25	40145553	FLT-CE PCB ASSY	FOR CE	*		1
26	40149316	AC INPUT CORD ASSY	FOR CE	*		1
27	40145556	SOL-CE PCB ASSY	FOR CE	*		1
28	40145557	PEDAL CORD CE ASSY	FOR CE	*		1
29	40145558	SOL POWER CORD CE ASSY	FOR CE	*		1
30	40145921	PNL-CE PCB ASSY	FOR CE	*		1
31	40145944	EMI GASKET	FOR CE	*		1
32	401557011	CONNECTOR COVER		*		1
33	40145540	PRT CORD ASSY		*		1
34	40141223	CORD STAPLE	VARIOUS NOS. FOR DESTINATIONS			3
35	40141224	SCREW				3
36	40141225	SLO-BLO FUSE	VARIOUS NOS. FOR DESTINATIONS			1
37	40141226	SLO-BLO FUSE	VARIOUS NOS. FOR DESTINATIONS			1
38	40141227	SLO-BLO FUSE	VARIOUS NOS. FOR DESTINATIONS			1
39	40145128	AC POWER CORD ASSY CE	FOR CE			1
40	40141220	AC POWER CORD ASSY	FOR CE			1
41	40141219	PEDAL_SENSOR_A_ASSY				1
42	40042134	CONNECING_ROD_ASSY				1

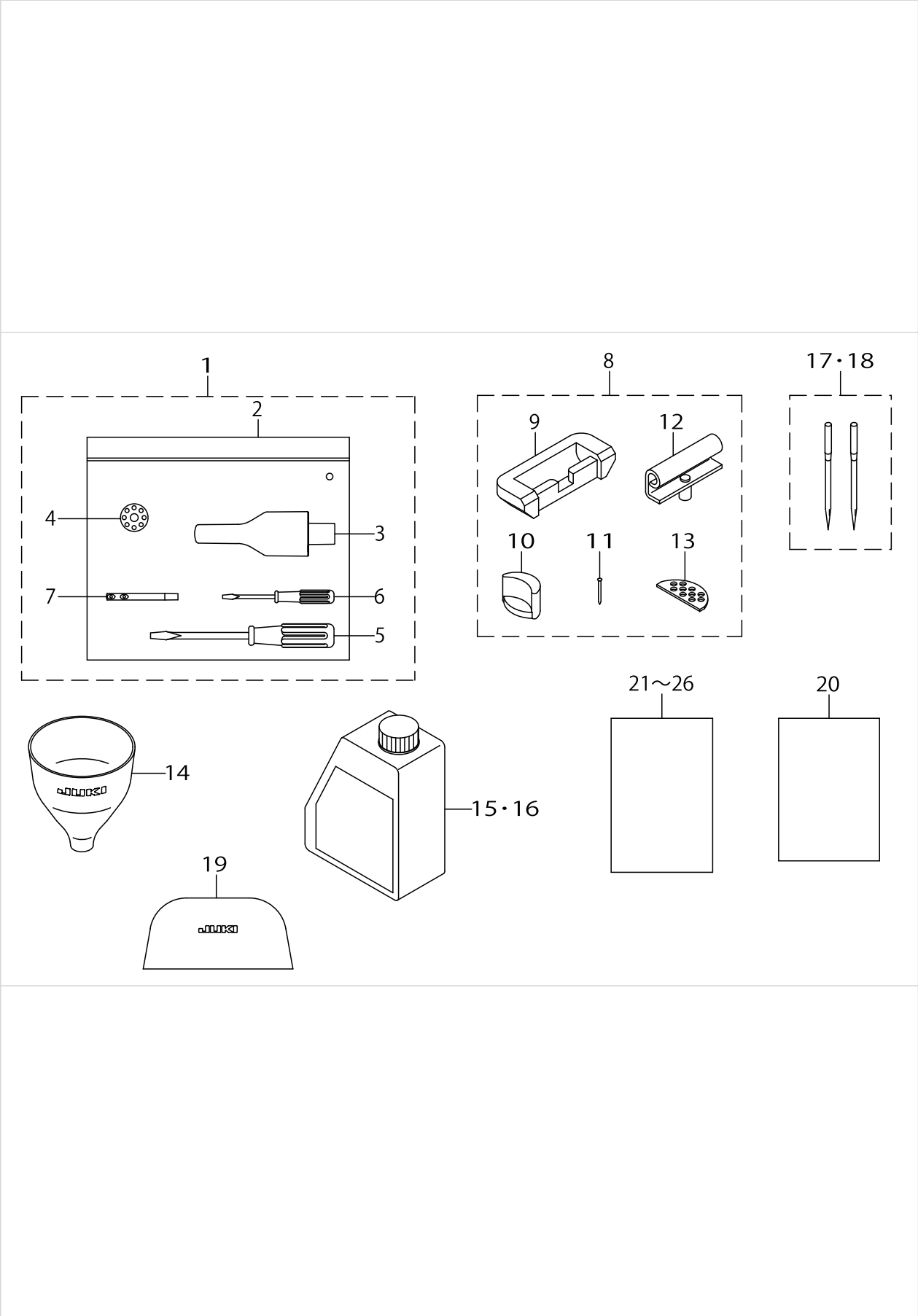
# THREAD STAND COMPONENTS



THREAD STAND COMPONENTS

No.	Parts No.	Parts name	Remarks	Level	Cons	Qty
1	40096354	THREAD STAND ASM.				1
2	40085784	SPOOL REST ROD LOWER		*		1
3	40085785	SPOOL REST ROD UPPER		*		1
4	40085786	SPOOL REST ARM LOWER		*		1
5	40085787	SPOOL REST ARM UPPER		*		1
6	40085788	SPOOL REST		*		2
7	40085789	SPOOL REST CUSHION		*		2
8	40085790	SPOOL PIN		*		2
9	40085791	SPOOL RETAINER		*		2
10	40085792	SPOOL REST ROD JOINT		*		1
11	40085793	SPOOL REST ROD RUBBER CAP		*		1
12	40085794	THREAD GUIDE		*		2
13	40085795	THREAD GUIDE BUSHING		*		2
14	40096325	SPOOL REST ROD NUT		*		1
15	WP1612616SE	WASHER 16X30X2.6		*		2
16	40085796	SPOOL REST ROD RUBBER CUSHION		*		2
17	40096326	SPOOL REST ARM LOWER SCREW		*		1
18	NM6050001SE	NUT M5		*		2
19	40096327	SPOOL REST ARM UPPER SCREW		*		1
20	NM6050001SE	NUT M5		*		2
21	WS0510002KN	SPRING WASHER M5		*		2
22	WP0531001SC	WASHER M5		*		2
23	SM4051405SE	SCREW M5 L=14		*		2
24	NM6050001SE	NUT M5		*		2

ACCESSORIE PARTS COMPONENTS



ACCESSORIE PARTS COMPONENTS

No.	Parts No.	Parts name	Remarks	Level	Cons	Qty
1	40156730	ACCESSORY BAG ASSY				1
2	22932800	ACCESSORIE BAG		*		1
3	14101208	HEAD SUPPORT BAR		*		1
4	22932909	BOBBIN		*	☆	1
5	22933105	SCREW DRIVER MIDDLE		*		1
6	22933204	SCREW DRIVER SMALL		*		1
7	22958300	NEEDLE THREAD GUIDE PIN		*		1
8	22958052	RUBBER HINGE ASM.				1
9	22926000	RUBBER CUSHION		*		2
10	22958003	FRAME BUBBER CUSHION		*		2
11	22926208	NAIL		*		8
12	22926356	HINGE COMPL.		*		2
13	22926505	WASHER		*		2
14	13160601	FUNNEL				1
15	40157520	NEW DEFRIX OIL NO.1 450ML	ACCORDING TO MANUFACTURING BASE		☆	1
16	40102087	JUKI CORPORATION GENUINE OIL 7	ACCORDING TO MANUFACTURING BASE		☆	1
17	MDB100B1402	NEEDLE DBX1#14-2	ACCORDING TO MANUFACTURING BASE		☆	1
18	MC200500902	NEEDLE 134 #90-2	ACCORDING TO MANUFACTURING BASE		☆	1
19	40135803	HEAD COVER				1
20	CM600100201	WEEE INFORMATION SHEET	ACCORDING TO MANUFACTURING BASE			1
21	40157451	SAFETY INSTRUCTION MANUAL C JPN	ACCORDING TO MANUFACTURING BASE			1
22	40157452	SAFETY INSTRUCTION MANUAL 5 JPN	ACCORDING TO MANUFACTURING BASE			1
23	40157453	SAFETY INSTRUCTION MANUAL 7 JPN	ACCORDING TO MANUFACTURING BASE			1
24	40156811	SAFETY INSTRUCTION MANUAL	ACCORDING TO MANUFACTURING BASE			1
25	40156812	SAFETY INSTRUCTION MANUAL	ACCORDING TO MANUFACTURING BASE			1
26	40156813	SAFETY INSTRUCTION MANUAL	ACCORDING TO MANUFACTURING BASE			1





# NUMERICAL INDEX OF PARTS

PART NO	PAGE	REF NO.	PART NO	PAGE	REF NO.	PART NO	PAGE	REF NO.
11002904	8	3	22907208	14	34	22918072	8	4
11009800	16	23	22907307	14	36	22918106	8	7
11010311	16	17	22907406	14	33	22918304	8	6
11015906	10	37	22907505	14	32	22918403	8	9~12
11037405	16	22	22907554	14	30	22918502	8	9~12
11038650	10	34	22907604	14	31	22918601	8	9~12
11038759	10	24	22907703	14	45	22918700	8	9~12
11039203	28	46	22907802	14	1	22919203	8	29
11040052	20	5	22908008	14	42	22919203	20	37
11040409	20	4	22908156	14	40	22919559	8	2
11040953	20	44	22908305	14	44	22920102	14	29
11079506	12	48	22908354	14	39	22920201	14	23
11101300	24	11	22908552	14	4	22920300	14	26
11415205	2	20	22908701	14	7	22920409	14	24
13101407	30	51	22908800	14	14	22920508	2	30
13160601	38	14	22908909	14	11	22920607	4	47
13170105	28	32	22909006	14	13	22920904	2	43
13171004	28	33	22910004	8	18	22921001	2	31
14101208	38	3	22910053	8	16	22921209	2	38
22538706	6	33	22910103	8	13	22921308	2	33
22538805	8	30	22910202	16	15·16	22921407	2	34
22890206	10	42~44	22910251	16	11·12	22921506	2	37
22890305	10	42~44	22910806	16	28	22921506	6	28
22890404	10	42~44	22910905	16	24	22921605	2	39
22896252	10	46	22911002	16	40	22921704	2	35
22900401	2	10	22911101	16	13	22921803	2	36
22900609	2	28	22911507	16	2	22923015	28	14
22901003	4	55	22911606	16	4	22923056	28	12
22901201	4	52	22911804	16	7	22923205	28	17
22901250	4	51	22912000	16	9	22923312	28	13
22901300	4	53	22912109	16	8	22923403	28	19
22901805	2	14	22912257	16	19	22923502	28	21
22903207	8	25	22912505	16	20	22923601	28	20
22903306	8	27	22912802	18	69	22923700	28	15
22903900	8	14	22913008	18	75	22923809	28	18
22904155	8	23	22913701	16	38	22923908	28	22
22904155	18	62	22913800	16	15·16	22924153	28	6
22905004	10	23	22913859	16	11·12	22924302	28	7
22905103	10	25	22915003	18	73	22924401	28	3
22905202	10	26	22915359	18	58	22924609	28	28
22906101	10	2	22916308	10	27	22924708	28	1
22906200	10	8	22916506	10	38	22925101	28	5
22906309	10	10	22916555	10	36	22926000	38	9
22906457	10	4	22917157	10	29	22926208	38	11
22906606	8	8	22918064	8	5	22926356	38	12

NUMERICAL INDEX OF PARTS

PART NO	PAGE	REF NO.	PART NO	PAGE	REF NO.	PART NO	PAGE	REF NO.
22926505	38	13	22948400	22	49	26260604	6	7
22932107	32	5	22948558	20	45	26260802	6	8
22932404	32	11	22949002	20	43	26261008	6	9
22932453	32	10	22949101	20	40	26261206	6	10
22932800	38	2	22949200	20	41	26261305	6	11
22932909	10	18	22949309	20	38	26261503	6	12
22932909	38	4	22949408	20	29	26261602	6	13
22933105	38	5	22949754	20	24	26261701	6	14
22933204	38	6	22949903	22	62	40011144	6	15
22934202	32	19	22950000	20	26	40012126	2	2
22934251	32	16	22950208	20	14	40012129	2	11
22934301	32	20	22950257	20	13	40017805	14	35
22934400	32	18	22950356	20	15	40021933	6	17
22934509	32	22	22950703	20	25	40024644	28	35
22934608	32	17	22950851	20	19	40028281	30	53
22934707	32	12	22950950	20	21	40037008	6	32
22935407	4	57	22951008	22	60	40037500	26	29
22939508	10	3-49	22951404	22	54	40037502	28	9
22939607	12	3-49	22952501	2	18	40041419	26	10
22940506	16	10	22953400	24	18	40042134	34	42
22940654	18	55	22953509	24	20	40060989	14	5
22940753	16	35	22953657	24	13	40077851	26	26
22940951	16	27	22954002	24	23	40077852	26	16
22941108	16	1	22955504	26	12	40085784	36	2
22941306	16	36	22955900	26	4	40085785	36	3
22942502	10	32	22956007	26	5	40085786	36	4
22944508	14	18	22956106	26	6	40085787	36	5
22944508	30	49	22956205	26	7	40085788	36	6
22944607	14	20	22956304	26	8	40085789	36	7
22944706	14	10	22956403	26	9	40085790	36	8
22944854	14	28	22956809	26	11	40085791	36	9
22945109	14	25	22956908	26	13	40085792	36	10
22945307	2	40	22957203	26	25	40085793	36	11
22945356	2	32	22958003	38	10	40085794	36	12
22945414	2	22	22958052	38	8	40085795	36	13
22945463	2	21	22958300	2	7	40085796	36	16
22945505	2	25	22958300	38	7	40086678	26	15
22945604	2	23	23629306	30	56	40086679	26	28
22945703	2	26	23630007	28	43	40086740	18	66
22945703	6	30	23632102	24	6	40087245	20	30
22945802	2	24	26260109	6	2	40089548	16	25
22947105	28	26	26260208	6	3	40090002	10	14
22947808	20	7	26260307	6	4	40090003	10	16
22948202	20	3	26260406	6	5	40090004	10	19
22948301	20	36	26260505	6	6	40090005	10	21

# NUMERICAL INDEX OF PARTS

PART NO	PAGE	REF NO.	PART NO	PAGE	REF NO.	PART NO	PAGE	REF NO.
40090058	10	6	40140419	8	37	40156677	2	4
40093417	16	26	40140991	26	14	40156681	8	46
40096325	36	14	40140992	26	1	40156684	16	39
40096326	36	17	40140994	26	2	40156685	18	51
40096327	36	19	40141199	34	21	40156686	18	48
40096354	36	1	40141200	34	3·26	40156687	10	31
40099083	4	58	40141201	34	4·25	40156690	30	48
40100812	18	68	40141203	34	5	40156691	28	29
40101541	32	9	40141204	34	6·23	40156692	28	30
40102087	38	15·16	40141205	34	7	40156693	28	37
40102097	2	1	40141206	34	8	40156694	28	44
40102261	2	13	40141207	34	9	40156695	28	45
40102264	18	60	40141208	34	10·24	40156696	28	11
40109422	16	45	40141209	34	11·28	40156698	10	40
40110376	8	45	40141210	34	12·29	40156699	20	32
40110379	16	43	40141211	34	13	40156700	22	51
40110390	8	40	40141212	34	14·27	40156701	22	55
40110731	6	25	40141213	34	20·30	40156704	34	1·2
40110734	6	26	40141214	34	17	40156705	34	1·2
40110975	6	16	40141215	34	18	40156706	34	15·22
40110976	6	1	40141216	34	19	40156707	34	15·22
40110977	8	15	40141217	34	16	40156721	20	33
40110978	8	20	40141219	34	41	40156722	24	22
40110979	8	28	40141220	34	40	40156723	24	15
40110999	26	3	40141223	34	34	40156724	32	1
40111025	8	36	40141224	34	35	40156725	32	4
40111424	8	32	40141225	34	36~38	40156726	32	8
40111872	8	34	40141226	34	36~38	40156727	32	2
40111896	4	61	40141227	34	36~38	40156728	20	23
40111897	18	52	40141523	10	7	40156730	38	1
40112907	22	59	40145128	34	39	40156758	18	64·72
40113241	6	34	40145540	34	33	40156811	38	21~26
40119475	6	24	40145553	34	4·25	40156812	38	21~26
40125485	16	31	40145554	34	6·23	40156813	38	21~26
40126308	4	60	40145555	34	10·24	40156815	10	35
40130579	20	1	40145556	34	14·27	40156893	4	64
40130580	20	6	40145557	34	11·28	40156894	4	66
40135803	38	19	40145558	34	12·29	40156999	20	31
40136258	28	47	40145921	34	20·30	40157335	4	65
40139216	8	21	40145927	10	12	40157336	20	35
40139555	4	63	40145944	34	31	40157451	38	21~26
40139771	24	2	40148382	24	1	40157452	38	21~26
40140191	24	3	40149069	24	5	40157453	38	21~26
40140306	24	4	40149316	34	3·26	40157520	38	15·16
40140416	4	67	401557011	34	32	40158189	18	71

NUMERICAL INDEX OF PARTS

PART NO	PAGE	REF NO.	PART NO	PAGE	REF NO.	PART NO	PAGE	REF NO.
40162044	30	57	RE0500000KP	24	24	SQ2060451MZ	28	41
B1109552000	2	44	RE0600000K0	20	34	SS2060210SP	20	8
B1116210D00	32	3	RE0900000K0	24	12	SS2110915SP	2	46
B1215552000	8	26	RE1000000K0	32	13	SS2110920TP	2	45
B1521555000	14	2	RE1200000K0	24	16	SS4080620TP	16	34
B15240120BA	14	9	RO029180100	8	35	SS4080620TP	20	9
B1613012I00	16	33	RO036080200	10	47	SS4090615SP	8	19
B8228125000	28	34	RO037180100	14	3	SS4110515SP	14	16
B9117552A00	10	45	RO037180100	28	10	SS4110515SP	16	37
CM300200001	2	12	RO044240100	8	43	SS4110615SP	26	27
CM600100201	38	20	RO044240100	22	56	SS4110615SP	30	55
CQ202000000	14	46	RO044240100	24	25	SS4110715SP	20	28
CQ220000000	10	28	RO069180100	10	13	SS4110915TP	10	33
D2406555D0H	20	10	RO078190100	18	70	SS4120615SP	2	62
D7133555B00	6	29	RO092270200	18	74	SS4120615SP	4	62
HK034610140	24	9	RO133170100	18	67	SS4120615SP	14	27
HK03464000B	24	8	RO195240100	28	2	SS4120615SP	24	10
HX00065000A	24	26	SD0460703TP	20	2	SS4120615SP	28	4
HX006690000	32	23	SD0600361SP	22	58	SS4120925SP	2	50
MC200500902	38	17-18	SD0630275SP	20	18	SS4120925SP	4	50
MDB100B1400	10	11	SD0640631TP	20	11	SS4120925SP	10	39
MDB100B1402	38	17-18	SD0641451SP	20	17	SS4120925SP	26	30
NM6040001SE	22	52	SD0650321TP	26	21	SS4150915SP	14	17
NM6050001SE	36	24	SD0720331SP	14	12	SS4150915SP	22	50
NM6060001SE	32	15	SD1000801SH	18	47	SS4150915SP	28	24
NM6060003SC	32	7	SE4301041SR	28	16	SS4151215SP	22	57
NS6090310SP	26	17	SL4030631SC	26	23	SS4151215SP	24	21
NS6110310SP	26	18	SL4030641SE	26	22	SS6060210SP	4	54
NS6120630SP	6	27	SL4030851SF	28	23	SS6080410SP	2	3
NS6150430SP	20	47	SL6051092TN	10	41	SS6090510TP	20	16
NS6620310SP	14	21	SL6051492TN	8	39	SS6090540SP	26	24
NS6680410SP	16	42	SL6052592TN	8	38	SS6090620TP	16	41
RC0150001KP	16	54	SM0050801SC	6	35	SS6090670TP	10	5
RC0150001KP	18	54	SM4040655SP	30	52	SS6090670TP	16	3
RC0560711KP	6	18	SM4051405SE	36	23	SS6090910SP	14	38
RC1850001KP	8	22	SM5040655SN	6	20	SS6110420TP	10	30
RE0250000K0	26	19	SM6051402TP	28	39	SS6110610TP	4	48
RE0400000K0	6	19	SM8040802TP	6	21	SS6110710TP	22	61
RE0400000K0	20	39	SM8050502TP	6	22	SS6111010TP	28	25
RE0400000K0	24	19	SM80608A2TP	8	33	SS6121610SP	16	44
RE0400000KP	24	14	SM8061010TP	18	61	SS6121840SP	2	17
RE0500000K0	14	43	SM8061612TP	32	6	SS6121860SP	16	5
RE0500000K0	16	21	SM9061203SE	32	21	SS6151220SP	16	29
RE0500000K0	22	63	SM9062563TR	32	14	SS6660610TP	20	20
RE0500000K0	26	20	SQ2050453MZ	28	40	SS6661110SP	8	17

## NUMERICAL INDEX OF PARTS

PART NO	PAGE	REF NO.
SS7080510TP	10	9
SS7090610SP	20	42
SS7091110TP	14	6
SS7110720SP	4	59
SS7110740TP	18	53
SS7110740TP	24	7
SS7111120SP	18	59
SS7120770SH	16	6
SS7121410TP	18	56
SS7121610SP	16	46
SS7681650TP	8	44
SS8090670SP	2	41
SS8110520TP	20	22
SS8150710TP	2	42
SS8151150TP	8	1
SS8660610TP	8	42
SS8660610TP	18	63
SS8660810TP	10	22
SS8660810TP	14	37
SS8681650TP	8	41
ST4040821SS	28	36
TA0850604R0	2	5
TA0850604R0	10	1
TA0950806R0	18	65
TA1250406R0	4	49
TA1250705R0	2	6
TA2000502R0	2	16
TA2000502R0	18	64-72
TA2100904R0	2	9
TA2101002R0	2	19
WP0450826SC	6	23
WP0480856SP	18	57
WP0482086SD	26	31
WP0501016SD	28	54
WP0501016SD	30	54
WP0531001SC	36	22
WP0621016SH	20	46
WP1602616SZ	24	17
WP1612616SE	36	15
WS0410002KR	22	53
WS0451040KP	28	8
WS0510002KN	36	21
WS0651310KP	28	27
WT0530002KS	4	56