

MODEL : LU-2810/LU-28107/LU-2860/LU-2860-7/LU-2818-7/LU-2868-7
List No : 1665-03

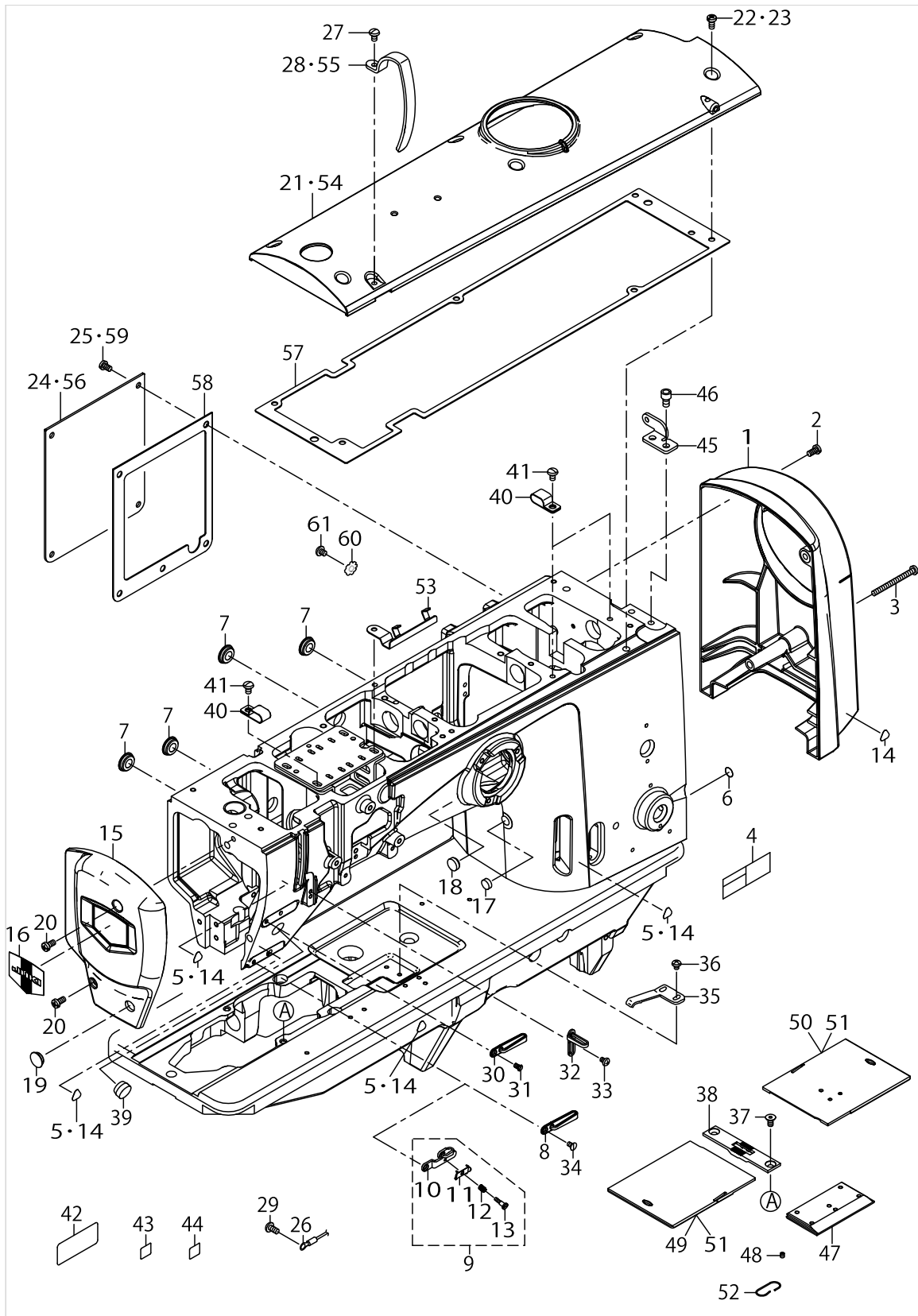
PARTS LIST

Published:10/31/2017

CONTENTS

FRAME & MISCELLANEOUS COVER COMPONENTS	1
MAIN SHAFT & THREAD TAKE-UP LEVER COMPONENTS	5
NEEDLE BAR COMPONENTS	9
LOWER SHAFT COMPONENTS.....	13
OPENNER COMPONENTS	19
HOOK COMPONENTS.....	21
UPPER FEED COMPONENTS.....	27
HAND LIFTER & AUTO LIFTER COMPONENTS.....	33
KNEE LIFTER COMPONENTS (FOR LU-2810,2860).....	35
LOWER FEED COMPONENTS.....	37
FEED ADJUST COMPONENTS (FOR LU-2810,2860,2810-7,2860-7).....	41
FEED ADJUST COMPONENTS (FOR LU-2818-7,2868-7)	45
DL COMPONENTS (FOR LU-2810-7,2860-7,2818-7,2868-7)	49
AUTO BT COMPONENTS (FOR LU-2810-7,2860-7)	51
AUTO BT COMPONENTS (FOR LU-2818-7,2868-7)	53
6-RANGE SW COMPONENTS (FOR LU-2810-7,2860-7,2818-7,2868-7)	55
SPEED ADJUST COMPONENTS (FOR LU-2810-7,2860-7,2818-7,2868-7).....	57
THREAD CUTTING COMPONENTS (FOR LU-2810-7,2860-7,2818-7,2868-7)	59
CONDENSE COMPONENTS (FOR LU-2818-7,2868-7).....	65
THREAD TENSION COMPONENTS (FOR LU-2810,2810-7,2818-7)	67
THREAD TENSION COMPONENTS (FOR LU-2860,2860-7,2868-7)	69
TENSION RELEASE COMPONENTS (FOR LU-2810-7,2860-7,2818-7,2868-7).....	73
PNEUMATIC COMPONENTS (FOR LU-2810-7,2860-7,2818-7,2868-7).....	75
BOBBIN WINDER COMPONENTS.....	77
LUBRICATION COMPONENTS (FOR LU-2810,2810-7,2818-7)	79
LUBRICATION COMPONENTS (FOR LU-2860,2860-7,2868-7)	83
THREAD STAND COMPONENTS (FOR LU-2810,2810-7,2818-7).....	89
THREAD STAND COMPONENTS (FOR LU-2860,2860-7,2868-7).....	91
BOTTOM COVER & BELT COVER COMPONENTS	93
ACCESSORIES PARTS COMPONENTS	95
TABLE OF EXCHANGING GAUGE PARTS (FOR LU-2810,2810-7,2818-7).....	97
TABLE OF EXCHANGING GAUGE PARTS (FOR LU-2860,2860-7,2868-7).....	99
TABLE OF EXCHANGING GAUGE PARTS SET.....	103
TABLE OF OPTIONAL GAUGE PARTS	107
TABLE OF OPTIONAL GAUGE PARTS (FOR LU-2810S,2810S-7)	109
TABLE OF OPTIONAL GAUGE PARTS (FOR LU-2810A,2810A-7,2818A-7).....	111
TABLE OF OPTIONAL GAUGE PARTS (FOR LU-2860S,2860S-7)	113
TABLE OF OPTIONAL GAUGE PARTS (FOR LU-2860A,2860A-7,2868A-7).....	115
GREASE COMPONENTS (OPTIONAL PARTS)	117
SUSPENSION SQUARE COMPONENTS (OPTIONAL PARTS)	119
LIST FOR INFORMATION OF CHANGE.....	121
HOW TO MAKE USE OF THIS PARTS LIST	122

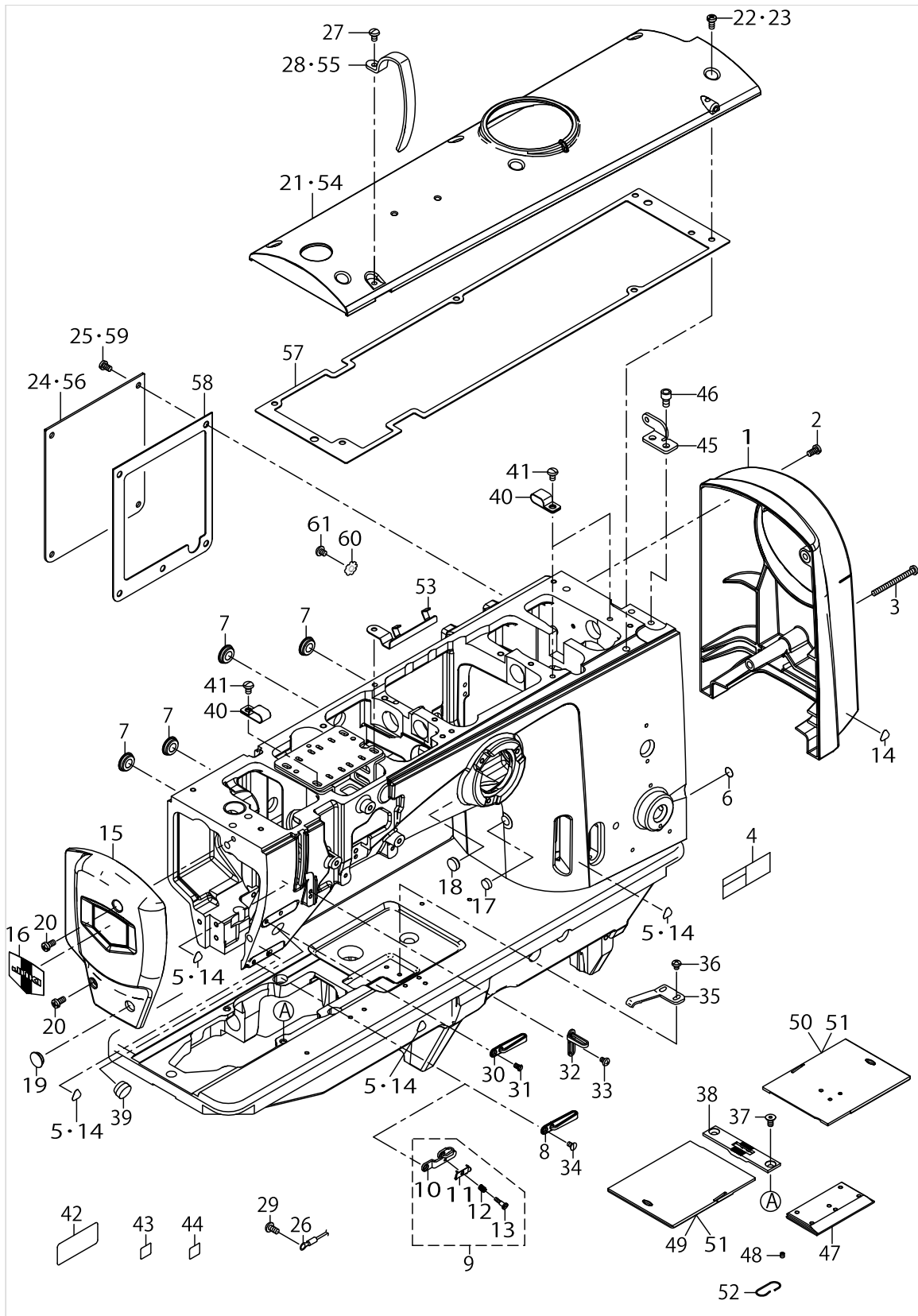
FRAME & MISCELLANEOUS COVER COMPONENTS



FRAME & MISCELLANEOUS COVER COMPONENTS

No.	Parts No.	Parts name	Remarks	Level	Cons	Qty
1	40130705	MOTOR_COVER	FOR LU-2810-7,2860-7, 2818-7,2868-7			1
2	SM4051055SP	SCREW	FOR LU-2810-7,2860-7, 2818-7,2868-7			2
3	SM4055501SC	SCREW M5X0.8 L=55	FOR LU-2810-7,2860-7, 2818-7,2868-7			1
4	40102261	SAFETY_LABEL_S				1
5	CM300200001	ATTENTION SEAL	FOR LU-2810,2860			4
6	22901805	GROUND MARK				1
7	TA1650406R0	PRUG				4
8	40084142	THREAD_GUIDE_LOWER	FOR LU-2810,2860			1
9	40034675	THREAD_GUIDE_ASM_E	FOR LU-2810-7,2860-7, 2818-7,2868-7			1
10	40034674	THREAD_GUIDE		*		1
11	40042716	THREAD_PRESSER_PLATE		*		1
12	B1132521000	THREAD PRESSER PLATE SPRING		*		1
13	SD0380556TL	SHOULDER SCREW D=3.8 H=5.5		*		1
14	CM300200001	ATTENTION SEAL	FOR LU-2810-7,2860-7, 2818-7,2868-7			5
15	40130704	FACE_PLATE				1
16	22902506	FACE PLATE				1
17	TA1030402R0	RUBBER PLUG D=10.3 L=4				1
18	TA1270502R0	RUBBER PLUG				1
19	TA1250406R0	RUBBER PLUG D=12.5 L=4				1
20	SM4051055SP	SCREW				2
21	40130706	TOP_COVER	FOR LU-2810,2860,2810-7, 2860-7			1
22	SM4051055SP	SCREW	FOR LU-2810-7,2860-7, 2818-7,2868-7			6
23	SM4051055SP	SCREW	FOR LU-2810,2860			9
24	40130703	APERTURE_COVER	FOR LU-2810,2860,2810-7, 2860-7			1
25	SM4050855SP	SCREW	FOR LU-2810,2860,2810-7, 2860-7			4
26	22951552	GROUND WIRE ASM.	FOR LU-2810-7,2860-7, 2818-7,2868-7			1
27	SM4040855SP	SCREW				1
28	23600505	THREAD TAKE-UP LEVER COVER	FOR LU-2810,2860,2810-7, 2860-7			1
29	SM4051055SP	SCREW	FOR LU-2810-7,2860-7, 2818-7,2868-7			1
30	40084142	THREAD_GUIDE_LOWER				1
31	SM1040750TP	SCREW M4 L=7				1
32	40126221	THREAD_GUIDE				1
33	SM4040655SP	SCREW M4 L=6				1
34	SM1040750TP	SCREW M4 L=7				1
35	B1111563000	BED SLIDE SPRING				1
36	SM4040655SP	SCREW M4 L=6				2
37	SM1051052TN	PLATE SCREW M5 L=10				2
38	40126349	THROAT_PLATE_2810	EXCHANGING GAUGE PARTS (SEE.P.53,54)			1
39	TA1550902R0	PLUG				1
40	D2112555B00	CORD HOLDER LARGE	FOR LU-2810-7,2860-7, 2818-7,2868-7			3
41	SM4050855SP	SCREW	FOR LU-2810-7,2860-7, 2818-7,2868-7			2
42	40094561	SEWING MACHINE LABEL (EU)	FOR JE			1
43	CM600100101	WEEE MARK LABEL S	FOR JE			1
44	40150131	EAC_MARK_LABEL_S	FOR JE			1
45	40112277	PLATE	FOR LU-2810,2860			1
46	SM6061002TP	SCREW M6 L=10	FOR LU-2810,2860			2
47	40147918	SLIDE_PLATE_FRONT	EXCHANGING GAUGE PARTS (SEE.P.53,54)			1

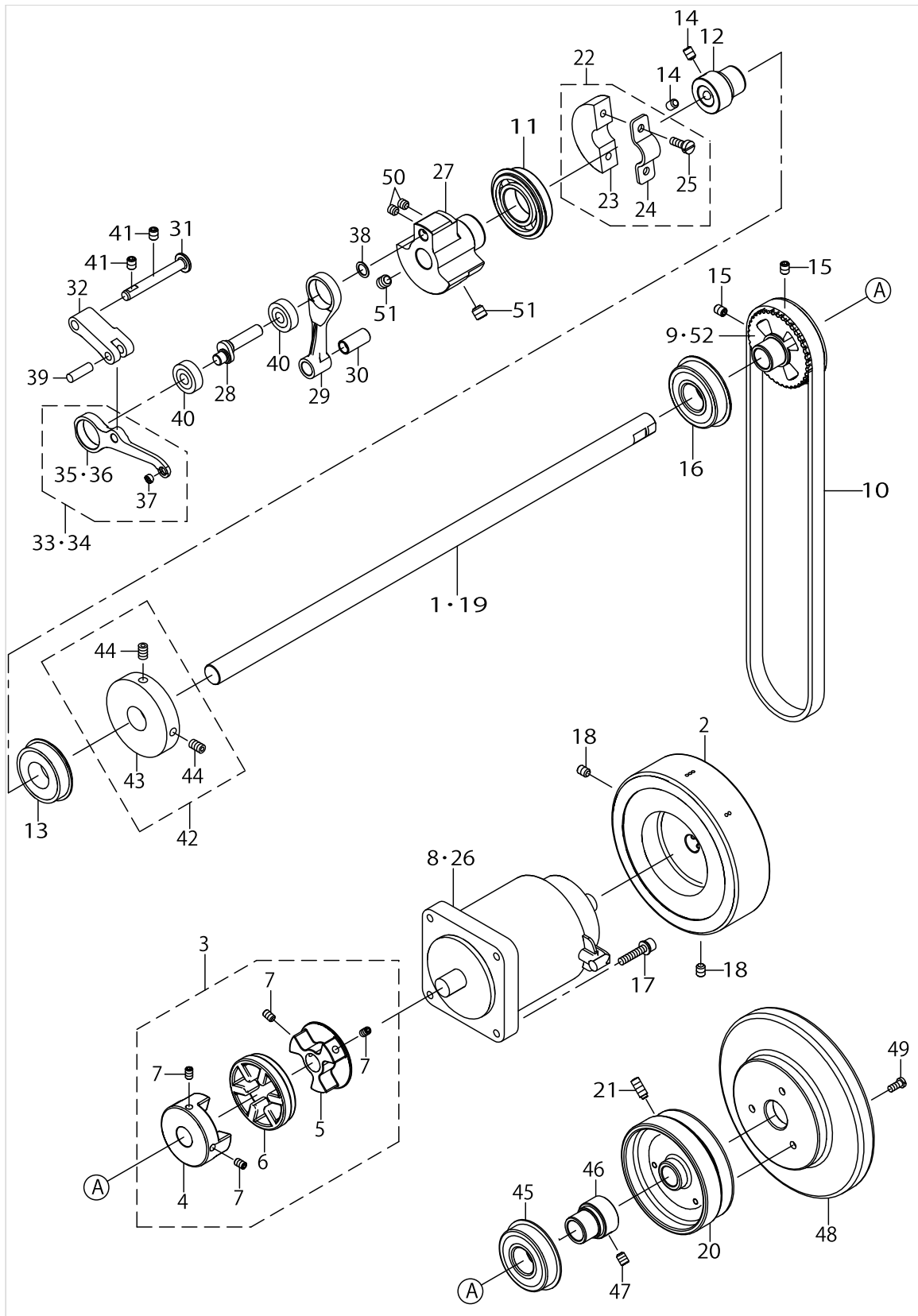
FRAME & MISCELLANEOUS COVER COMPONENTS



FRAME & MISCELLANEOUS COVER COMPONENTS

No.	Parts No.	Parts name	Remarks	Level	Cons	Qty
48	SM8040412TP	SET SCREW M4 L=4	FOR LU-2810A,2810A-7,2860A, 2860A-7,2818A-7,2868A-7			1
49	40112224	SLIDE_PLATE_2810L	EXCHANGING GAUGE PARTS (SEE.P.53,54)			2
50	40112225	SLIDE_PLATE_2810R	EXCHANGING GAUGE PARTS (SEE.P.53,54)			1
51	40127056	SLIDE_PLATE_2860R	EXCHANGING GAUGE PARTS (SEE.P.53,54)			1
52	B111105100B	SPRING	FOR LU-2810A,2810A-7,2860A, 2860A-7,2818A-7,2868A-7			1
53	40134805	CABLE HOLDER	FOR LU-2810-7,2860-7, 2818-7,2868-7			1
54	40148283	TOP COVER LP	FOR LU-2818-7,2868-7			1
55	40134834	THREAD_TAKE_UP_LEVER COVER	FOR LU-2818-7,2868-7			1
56	40129995	APERTURE_COVER	FOR LU-2818-7,2868-7			1
57	40147919	TOP_COVER_PACKING				1
58	40151799	WINDOW_PLATE_PACKING				1
59	SM4051055SP	SCREW	FOR LU-2818-7,2868-7			5
60	WT0530002KS	TOOTHED WASHER D=5.3	FOR LU-2810,2860			1
61	SM4050655SP	SCREW M5 L=6	FOR LU-2810,2860			1

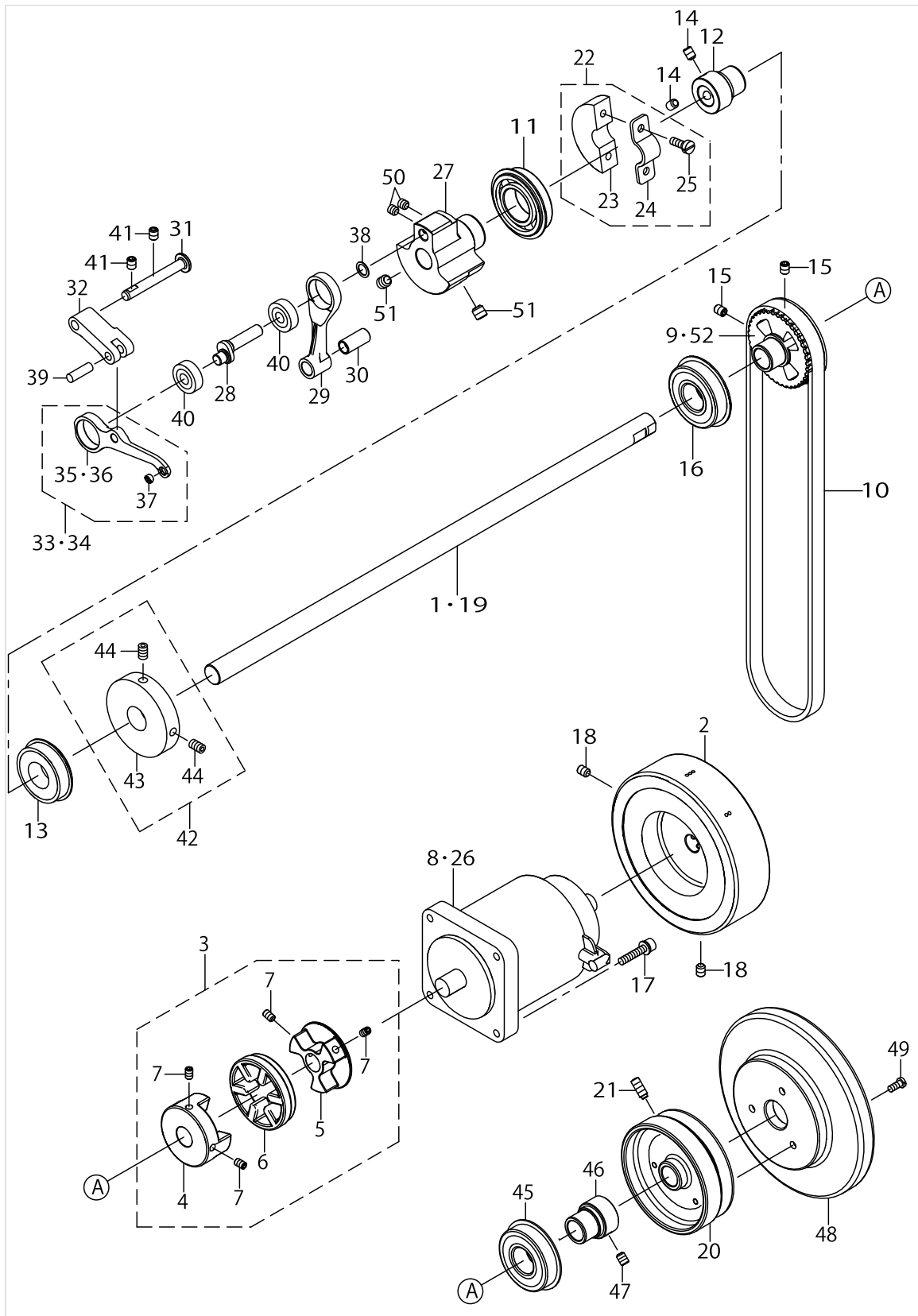
MAIN SHAFT & THREAD TAKE-UP LEVER COMPONENTS



MAIN SHAFT & THREAD TAKE-UP LEVER COMPONENTS

No.	Parts No.	Parts name	Remarks	Level	Cons	Qty
1	40112087	MAIN_SHAFT_DD	FOR LU-2810-7,2860-7, 2818-7,2868-7			1
2	40130702	HAND_WHEEL	FOR LU-2810-7,2860-7, 2818-7,2868-7			1
3	40112312	COUPLING_ASSY	FOR LU-2810-7,2860-7, 2818-7,2868-7			1
4	40130277	HUB_L	FOR LU-2810-7,2860-7, 2818-7,2868-7	*		1
5	40112106	HUB_R	FOR LU-2810-7,2860-7, 2818-7,2868-7	*		1
6	40125950	SPIDER	FOR LU-2810-7,2860-7, 2818-7,2868-7	*		1
7	SM8050812TP	SCREW M5X8	FOR LU-2810-7,2860-7, 2818-7,2868-7	*		4
8	40151488	SERVO_MOTOR_550W	FOR LU-2810-7,2818-7			1
9	40126321	SPROCKET_UPPER	FOR LU-2810-7,2860-7, 2818-7,2868-7			1
10	40112274	TIMING_BELT			☆	1
11	40143083	BUSHING				1
12	23605207	MAIN SHAFT BEARING SUPPORT				1
13	SB120001800	BEARING				1
14	SM80608A2TP	SCREW M6 L=8				2
15	SM8060812TP	SCREW M6 L=8				2
16	40143088	BEARING	FOR LU-2810-7,2860-7, 2818-7,2868-7			1
17	SL6052592TN	BOLT	FOR LU-2810-7,2860-7, 2818-7,2868-7			4
18	SM8060812TP	SCREW M6 L=8	FOR LU-2810-7,2860-7, 2818-7,2868-7			2
19	40112088	MAIN_SHAFT	FOR LU-2810,2860			1
20	40112299	HAND_WHEEL_A	FOR LU-2810,2860			1
21	SS8151550SP	SCREW 15/64-28 L=15	FOR LU-2810,2860			2
22	40010437	CRANK_BALANCER_ASM				1
23	40010438	CRANK_BALANCER		*		1
24	40010439	CRANK_BALANCER_FIX_PLATE		*		1
25	40010440	CRANK_BALANCER_FIX_PLATE_SCREW		*		2
26	40126244	AC SERVO MOTOR	FOR LU-2860-7,2868-7			1
27	40112091	COUNTER_WEIGHT				1
28	40112092	NEEDLE_BAR_CRANK				1
29	40112093	NEEDLE_BAR_CRANK_ROD				1
30	40112094	CRANK_ROD_BUSH				1
31	40011902	THREAD_TAKE_UP_CRANK_SHAFT				1
32	40125930	TAKE_UP_LEVER_CRANK				1
33	40127049	THREAD_TAKE_UP_ASM	FOR LU-2810,2860, 2810-7,2860-7			1
34	40134545	THREAD_TAKE_UP_ASM	FOR LU-2818-7,2868-7			1
35	40125939	THREAD_TAKE_UP	FOR LU-2810,2860, 2810-7,2860-7	*		1
36	40134532	THREAD_TAKE_UP	FOR LU-2818-7,2868-7	*		1
37	10546901	BUSH		*		1
38	WP0820516SP	WASHER 11.6X8.2X0.6				1
39	10721504	FEED ADJUSTING PIN				1
40	SB108002400	BEARING				2
41	SM8060812TP	SCREW M6 L=8				2
42	40010533	BTW_DRIVING_WHEEL_ASM.				1
43	40010534	BTW_DRIVING_WHEEL		*		1
44	40010535	DRIVING_WHEEL_SCREW		*		2
45	SB120002700	BEARING	FOR LU-2810,2860			1
46	23605207	MAIN SHAFT BEARING SUPPORT	FOR LU-2810,2860			1
47	SM80608A2TP	SCREW M6 L=8	FOR LU-2810,2860			2

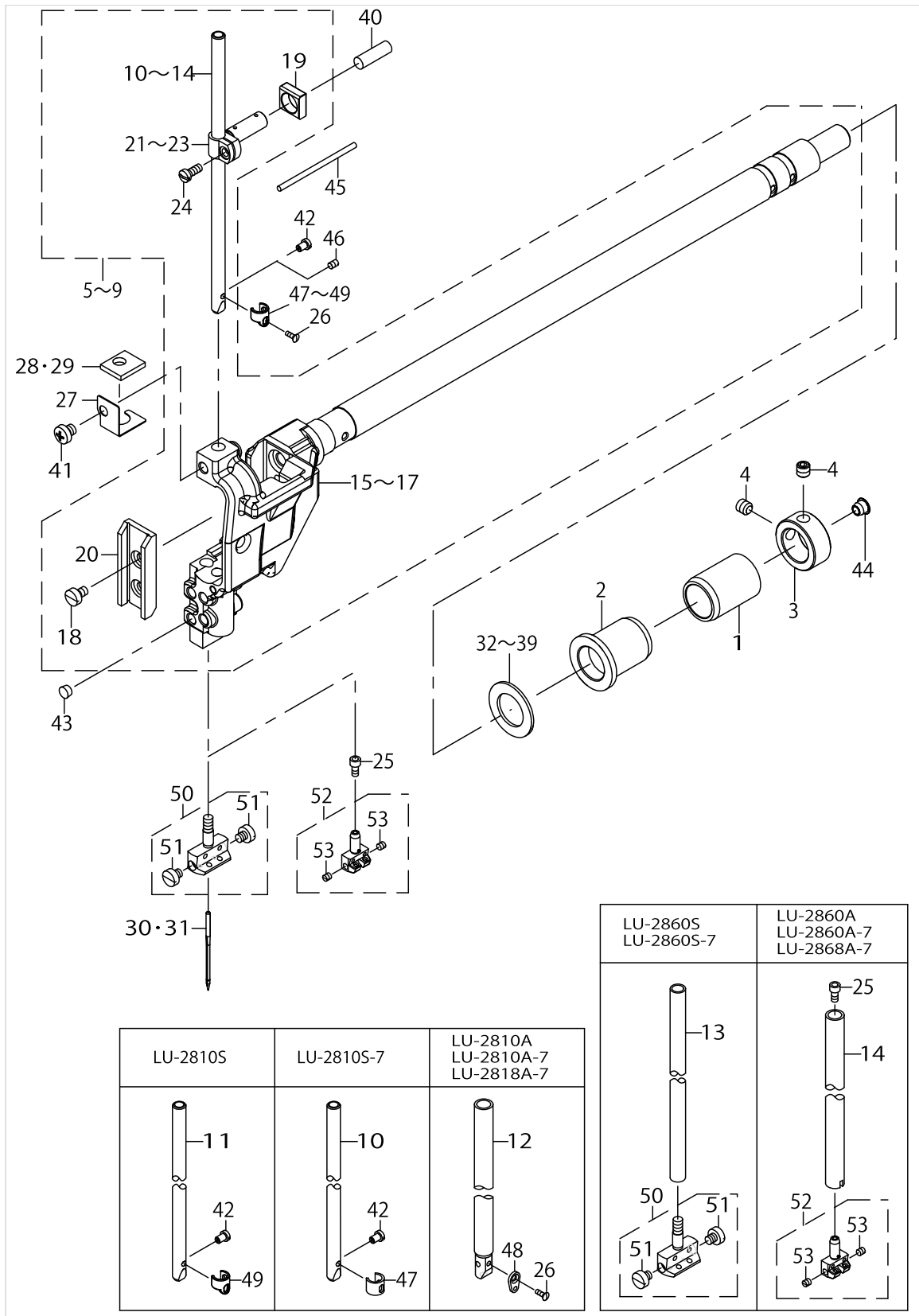
MAIN SHAFT & THREAD TAKE-UP LEVER COMPONENTS



MAIN SHAFT & THREAD TAKE-UP LEVER COMPONENTS

No.	Parts No.	Parts name	Remarks	Level	Cons	Qty
48	40026457	HAND WHEEL B	FOR LU-2810,2860			1
49	SM4051055SP	SCREW	FOR LU-2810,2860			3
50	SM8060612TP	SCREW M6 L=6				2
51	SM8080812TP	SCREW M8X8				2
52	40028116	MAIN_SHAFT_SPROCKET	FOR LU-2810,2860			1

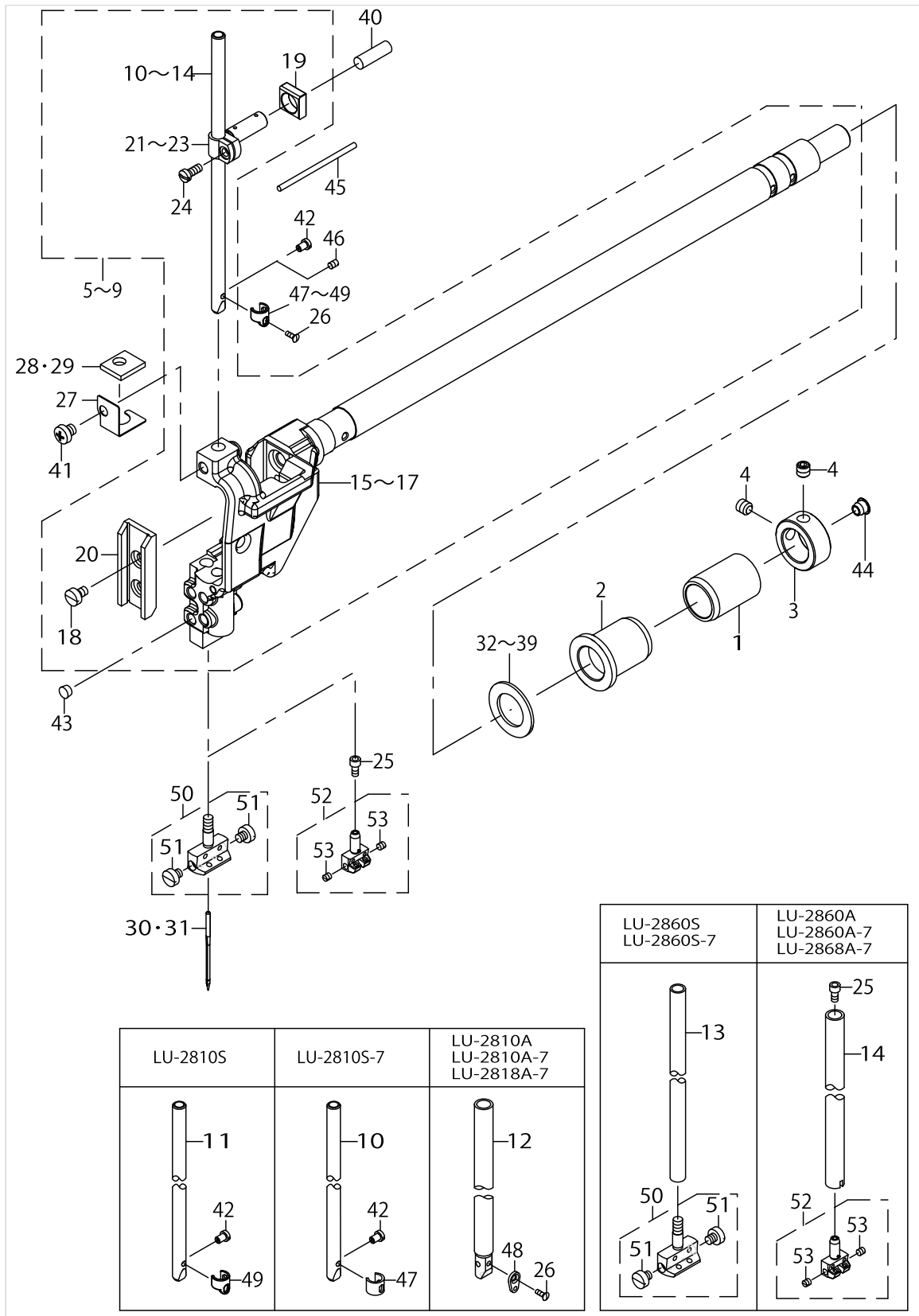
NEEDLE BAR COMPONENTS



NEEDLE BAR COMPONENTS

No.	Parts No.	Parts name	Remarks	Level	Cons	Qty
1	40010709	NF SHAFT BUSH R				1
2	40152451	BUSHING				1
3	CS1701181TP	THRUST COLLAR D=17 W=11				1
4	SM8060612TP	SCREW M6 L=6				2
5	40126403	N_B_ROCKING_BASE_ASM_2810S7	FOR LU-2810S-7			1
6	40127042	N_B_ROCKING_BASE_ASM_2810SS	FOR LU-2810S			1
7	40126402	N_B_ROCKING_BASE_ASM_2810E	FOR LU-2810A,2810A-7, 2818A-7			1
8	40127051	N_B_ROCKING_BASE_ASM_2860S	FOR LU-2860S,2860S-7			1
9	40127054	N_B_ROCKING_BASE_ASM_2860E	FOR LU-2860A,2860A-7,2868A-7			1
10	21338405	NEEDLE BAR THREAD RACK	FOR LU-2810S-7	*		1
11	B1401053000	NEEDLE BAR	FOR LU-2810S	*		1
12	40143220	NEEDLE_BAR_2810A	FOR LU-2810A,2810A-7, 2818A-7	*		1
13	40127052	NEEDLE BAR	FOR LU-2860S,2860S-7	*		1
14	21451406	NEEDLE BAR	FOR LU-2860A,2860A-7,2868A-7	*		1
15	40154226	N_B_ROCKING_BASE_ASM_2810S	FOR LU-2810S,2810S-7	*		1
16	40136296	N_B_ROCKING_BASE_ASM_2810E	FOR LU-2810A,2810A-7,2860A, 2860A-7,2818A-7,2868A-7	*		1
17	40154227	N_B_ROCKING_BASE_ASM_2860S	FOR LU-2860S,2860S-7	*		1
18	SM6040650TP	SCREW		*		2
19	40112152	NEEDLE_ROD_SQUARE_BLOCK		*		1
20	40127041	NEEDLE_BAR_GUIDE		*		1
21	B1411053000	NEEDLE BAR CONNECTION	FOR LU-2810S,2810S-7	*		1
22	40112273	NEEDLE BAR CONNECTION	FOR LU-2810A,2810A-7,2860A, 2860A-7,2818A-7,2868A-7	*		1
23	B1411521000	NEEDLE ROD HOLDER	FOR LU-2860S,2860S-7	*		1
24	SS7090910TP	SCREW 9/64-40 L=8.5		*		1
25	SM6030602TP	SCREW M3X0.5 L=6	FOR LU-2860A,2860A-7,2868A-7			1
26	SS2060310SP	SCREW 3/32-56 L=3	FOR LU-2810A,2810A-7, 2818A-7			1
27	40112270	FELT HOLDER				1
28	40112271	NEEDLE_BAR_FELT_S	FOR LU-2810S,2810S-7,2860S, 2860S-7			1
29	40112272	NEEDLE_BAR_FELT_E	FOR LU-2810A,2810A-7,2860A, 2860A-7,2818A-7,2868A-7			1
30	M13517B1600	NEEDLE 135X17 #160	FOR LU-2810,2810-7,2818-7		☆	1
31	M13517B1600	NEEDLE 135X17 #160	FOR LU-2860,2860-7,2868-7		☆	2
32	B1438512B00	WASHER 17.1X28X1.5	SELECTIVE PARTS			1
33	22606206	SPACER Y	SELECTIVE PARTS			1
34	22606305	SPACER Z	SELECTIVE PARTS			1
35	22607600	SPACER A	SELECTIVE PARTS			1
36	22607709	SPACER B	SELECTIVE PARTS			1
37	22607808	SPACER D	SELECTIVE PARTS			1
38	22607907	SPACER E	SELECTIVE PARTS			1
39	22606404	SPACER F	SELECTIVE PARTS			1
40	B1412051000	FELT	FOR LU-2810S,2810S-7,2860S, 2860S-7			1
41	SM4050501SC	SCREW M5X0.8 L=5				1
42	SS7080510TP	SCREW 1/8-44 L=4.5	FOR LU-2810S,2810S-7			1
43	TA0500301R0	PLUG 5X5.8 L=3				4
44	TA0620504R0	CAP				1
45	CQ252000000	OIL WICK	FOR LU-2810A,2810A-7,2860A, 2860A-7,2818A-7,2868A-7			0.05

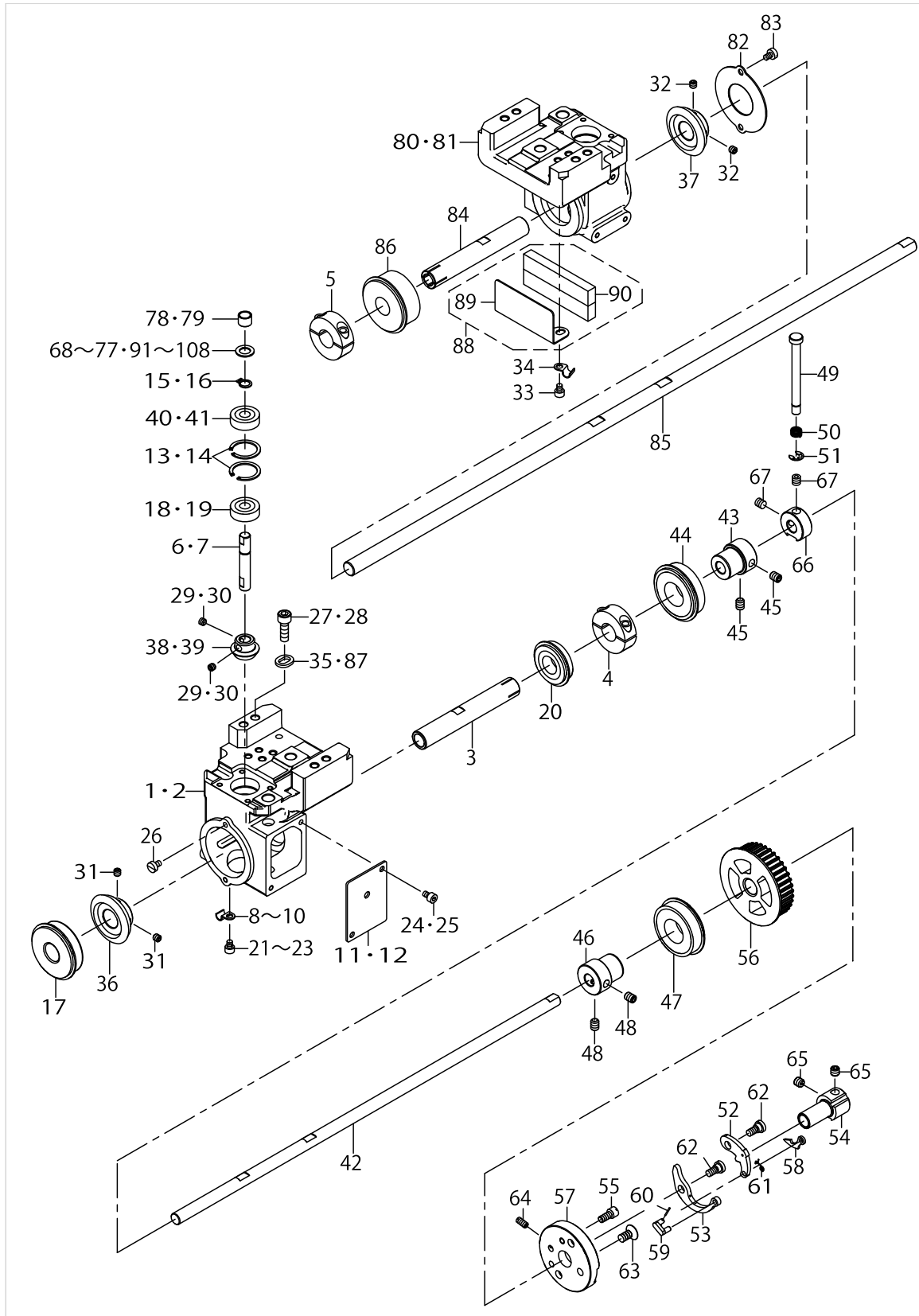
NEEDLE BAR COMPONENTS



NEEDLE BAR COMPONENTS

No.	Parts No.	Parts name	Remarks	Level	Cons	Qty
46	SS8080410TP	SCREW 1/8-44 L=3.5	FOR LU-2810A,2810A-7, 2818A-7			1
47	21338504	NEEDLE BAR THREAD RACK	FOR LU-2810S-7			1
48	40143221	NEEDLE_BAR_THREAD_GUIDE_2810A	FOR LU-2810A,2810A-7, 2818A-7			1
49	10308609	THREAD GUARD	FOR LU-2810S			1
50	21368154	NEEDLE CLAMP 3/16 ASM.	EXCHANGING GAUGE PARTS (SEE.P.54)			1
51	SS6090410TP	SCREW 9/64-40 L=3.5	EXCHANGING GAUGE PARTS (SEE.P.54)	*	☆	2
52	40038778	NEEDLE CLAMP(6MM)ASM.	EXCHANGING GAUGE PARTS (SEE.P.54)			1
53	SS8080310TP	SCREW 1/8-44 L=2.8	EXCHANGING GAUGE PARTS (SEE.P.54)	*	☆	2

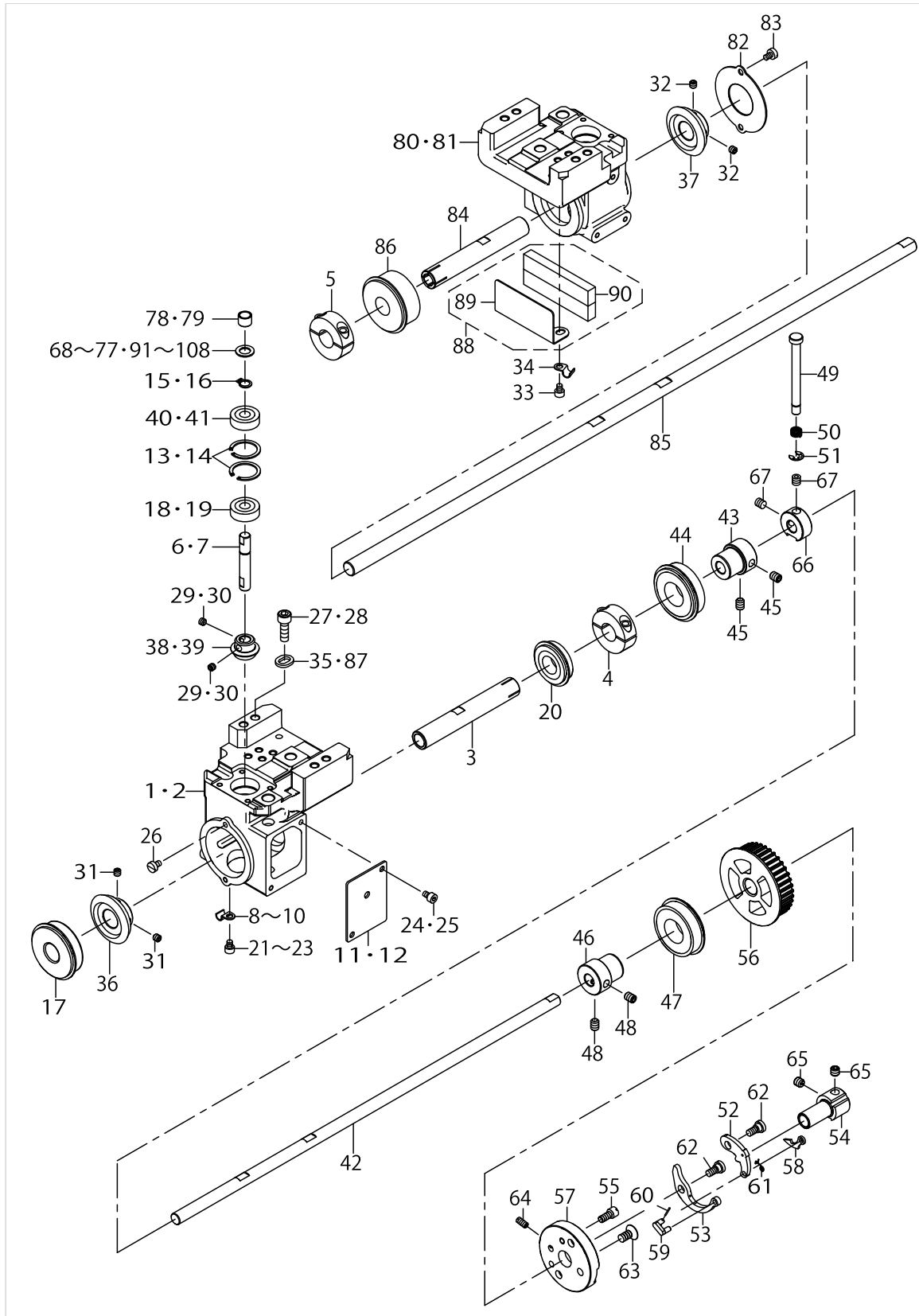
LOWER SHAFT COMPONENTS



LOWER SHAFT COMPONENTS

No.	Parts No.	Parts name	Remarks	Level	Cons	Qty
1	40125845	HOOK_SHAFT_BASE_RIGHT_TC	FOR LU-2810-7,2860-7, 2818-7,2868-7			1
2	40125846	HOOK_SHAFT_BASE_RIGHT_N	FOR LU-2810,2860			1
3	40112253	LOWER_SHAFT_C				1
4	40152295	LOWER_SHAFT_SET_COLLAR				1
5	40152295	LOWER_SHAFT_SET_COLLAR	FOR LU-2860,2860-7,2868-7			1
6	40126381	HOOK_SHAFT	FOR LU-2810,2810-7,2818-7			1
7	40126381	HOOK_SHAFT	FOR LU-2860,2860-7,2868-7			2
8	B3538112000	OIL RETURN TUBE HOLDER	FOR LU-2810			2
9	B3538112000	OIL RETURN TUBE HOLDER	FOR LU-2810-7,2818-7			1
10	B3538112000	OIL RETURN TUBE HOLDER	FOR LU-2860-7,2868-7			2
11	40123340	HOOK_SHAFT_BASE_SIDE_PLATE	FOR LU-2810,2810-7,2818-7			1
12	40135474	HOOK_SHAFT_BASE_SIDE_PLATE	FOR LU-2860,2860-7,2868-7			2
13	RC2351018KP	RETAINIG PIN 23.5	FOR LU-2810,2810-7,2818-7			2
14	RC2351018KP	RETAINIG PIN 23.5	FOR LU-2860,2860-7,2868-7			4
15	RC0740816K0	RETAINING RING	FOR LU-2810,2810-7,2818-7			1
16	RC0740816K0	RETAINING RING	FOR LU-2860,2860-7,2868-7			2
17	40143084	BUSHING				1
18	40143086	BUSHING	FOR LU-2810,2810-7,2818-7			1
19	40143086	BUSHING	FOR LU-2860,2860-7,2868-7			2
20	40143082	BUSHING				1
21	SM6040502TP	SCREW M4X0.7 L=5	FOR LU-2810			1
22	SM6040502TP	SCREW M4X0.7 L=5	FOR LU-2810,2810-7,2818-7			1
23	SM6040502TP	SCREW M4X0.7 L=5	FOR LU-2860-7,2868-7			2
24	SM6040602TP	SCREW M4 L=6	FOR LU-2810,2810-7,2818-7			2
25	SM6040602TP	SCREW M4 L=6	FOR LU-2860,2860-7,2868-7			4
26	SM6040650TP	SCREW				2
27	SM6061802TP	SCREW M6 L=18	FOR LU-2810,2810-7,2818-7			2
28	SM6061802TP	SCREW M6 L=18	FOR LU-2860,2860-7,2868-7			4
29	SM8050412TP	SCREW M5 L=4	FOR LU-2810,2810-7,2818-7			2
30	SM8050412TP	SCREW M5 L=4	FOR LU-2860,2860-7,2868-7			4
31	SM80506A2TP	SCREW M5 L=6				2
32	SM80506A2TP	SCREW M5 L=6	FOR LU-2860,2860-7,2868-7			2
33	SM6040502TP	SCREW M4X0.7 L=5	FOR LU-2860			3
34	B3538112000	OIL RETURN TUBE HOLDER	FOR LU-2860			5
35	40139043	WASHER	FOR LU-2810,2810-7,2818-7			2
36	40126372	LOWER_SHAFT_GEAR				1
37	40126372	LOWER_SHAFT_GEAR	FOR LU-2860,2860-7,2868-7			1
38	40112242	HOOK_SHAFT_GEAR	FOR LU-2810,2810-7,2818-7			1
39	40112242	HOOK_SHAFT_GEAR	FOR LU-2860,2860-7,2868-7			2
40	40143086	BUSHING	FOR LU-2810,2810-7,2818-7			1
41	40143086	BUSHING	FOR LU-2860,2860-7,2868-7			2
42	40126365	LOWER_SHAFT_1N	FOR LU-2810,2810-7,2818-7			1
43	40123247	BEARING_COLLAR				1
44	SB120001800	BEARING				1
45	SM8060812TP	SCREW M6 L=8				2
46	40123247	BEARING_COLLAR				1
47	SB120001800	BEARING				1

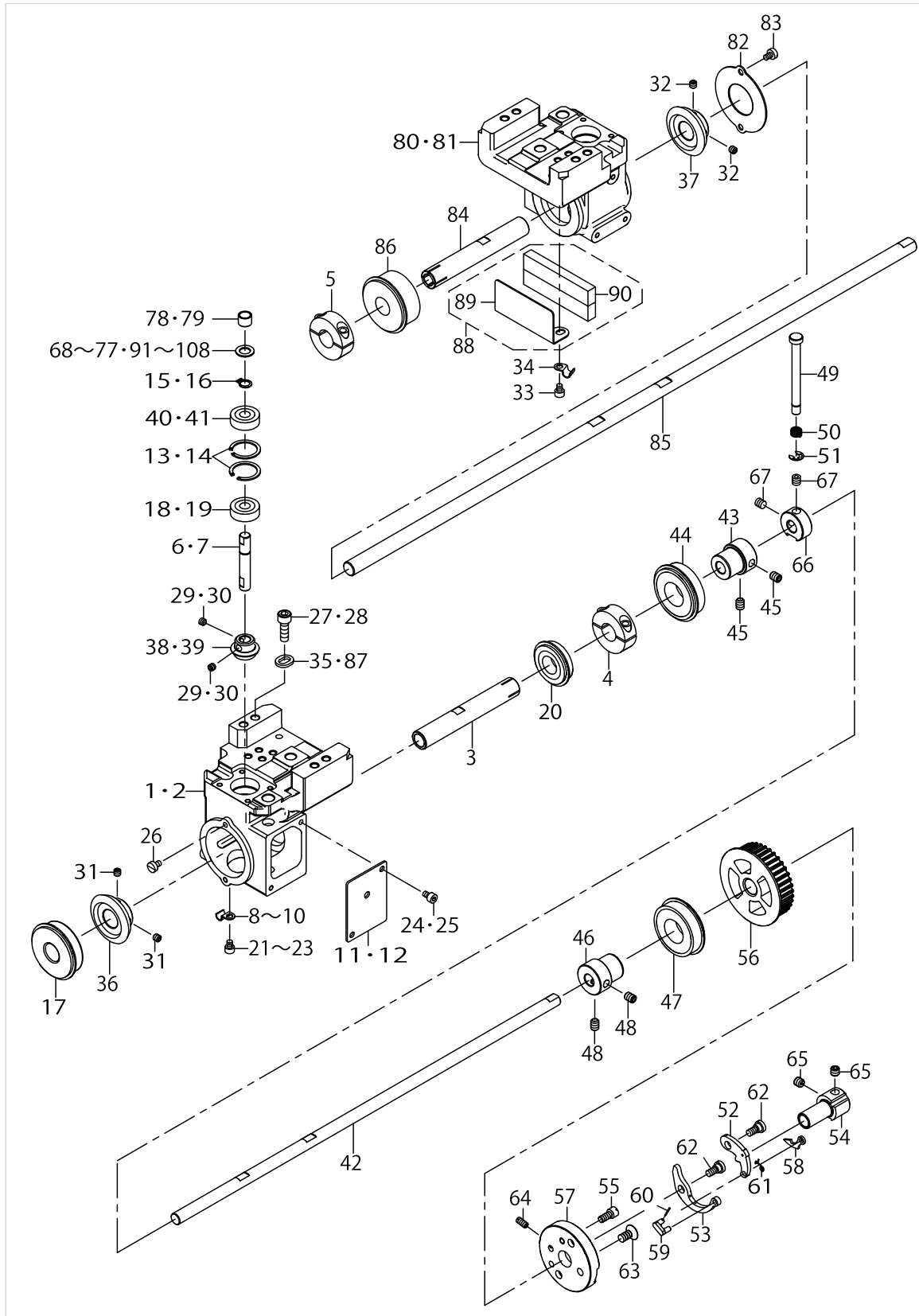
LOWER SHAFT COMPONENTS



LOWER SHAFT COMPONENTS

No.	Parts No.	Parts name	Remarks	Level	Cons	Qty
48	SM8060812TP	SCREW M6 L=8				2
49	40112240	SAFETY_REVERSE_BUTTON				1
50	B1639051000	SPRING				1
51	RE0500000K0	E-RING				1
52	21387600	SAFETY CLUTCH HOOK				1
53	21387709	SAFETY CLUTCH SPRING				1
54	21387808	SAFETY BASE				1
55	21387907	ADJUSTING PIN (1.2)				1
56	40125862	LOWER_SHAFT_SPROCKET				1
57	40126366	CLUTCH_BASE				1
58	B1308055000	SAFETY CLUTCH COUNTER-HOOK				1
59	B1310055000	SAFETY CLUTCH SMALL LINK				1
60	B1314055000	SAFETY CLUTCH SMALL LINK PIN				1
61	40113224	COUNTER HOOK SPRING				1
62	SD0640322TP	HINGE SCREW D=6.35 H=3.2				2
63	SM1061201SN	SCREW M6 L=12				2
64	SS8111010TP	SCREW 11/64-40 L=9.5				1
65	SS8660612TP	SCREW 1/4-40 L=6				2
66	21333901	SAFETY CLUTCH DISC				1
67	SS8660612TP	SCREW 1/4-40 L=6				2
68	B255728000A	WASHER FOR DRIVING ARM	SELECTIVE PARTS FOR LU-2810,2810-7,2818-7			1
69	B255728000B	WASHER	SELECTIVE PARTS FOR LU-2810,2810-7,2818-7			1
70	B255728000C	WASHER	SELECTIVE PARTS FOR LU-2810,2810-7,2818-7			1
71	B255728000D	WASHER D	SELECTIVE PARTS FOR LU-2810,2810-7,2818-7			1
72	B255728000E	WASHER	SELECTIVE PARTS FOR LU-2810,2810-7,2818-7			1
73	B255728000A	WASHER FOR DRIVING ARM	SELECTIVE PARTS FOR LU-2860,2860-7,2868-7			2
74	B255728000B	WASHER	SELECTIVE PARTS FOR LU-2860,2860-7,2868-7			2
75	B255728000C	WASHER	SELECTIVE PARTS FOR LU-2860,2860-7,2868-7			2
76	B255728000D	WASHER D	SELECTIVE PARTS FOR LU-2860,2860-7,2868-7			2
77	B255728000E	WASHER	SELECTIVE PARTS FOR LU-2860,2860-7,2868-7			2
78	40126382	HOOK_SHAFT_COLLAR	FOR LU-2810,2810-7,2818-7			1
79	40126382	HOOK_SHAFT_COLLAR	FOR LU-2860,2860-7,2868-7			2
80	40125847	HOOK_SHAFT_BASE_LEFT_TC	FOR LU-2860-7,2868-7			1
81	40125848	HOOK_SHAFT_BASE_LEFT_N	FOR LU-2860			1
82	40126455	HOOK_SHAFT_BASE_COVER	FOR LU-2860,2860-7,2868-7			1
83	SM6040650TP	SCREW	FOR LU-2860,2860-7,2868-7			2
84	40126454	LOWER_SHAFT_D	FOR LU-2860,2860-7,2868-7			1
85	40123428	LOWER_SHAFT_2N	FOR LU-2860,2860-7,2868-7			1
86	SB115002200	BEARING	FOR LU-2860,2860-7,2868-7			1
87	40139042	WASHER	FOR LU-2860,2860-7,2868-7			4
88	40135505	OIL_SHIELD_PLATE_ASM.	FOR LU-2860,2860-7,2868-7			1
89	40127345	OIL_SHIELD_PLATE	FOR LU-2860,2860-7,2868-7	*		1
90	40135504	GASKET	FOR LU-2860,2860-7,2868-7	*		2
91	40138418	WASHER_T=1.3	SELECTIVE PARTS FOR LU-2810,2810-7,2818-7			1
92	40138419	WASHER_T=1.4	SELECTIVE PARTS FOR LU-2810,2810-7,2818-7			1
93	40138420	WASHER_T=1.5	SELECTIVE PARTS FOR LU-2810,2810-7,2818-7			1
94	40138421	WASHER_T=1.6	SELECTIVE PARTS FOR LU-2810,2810-7,2818-7			1

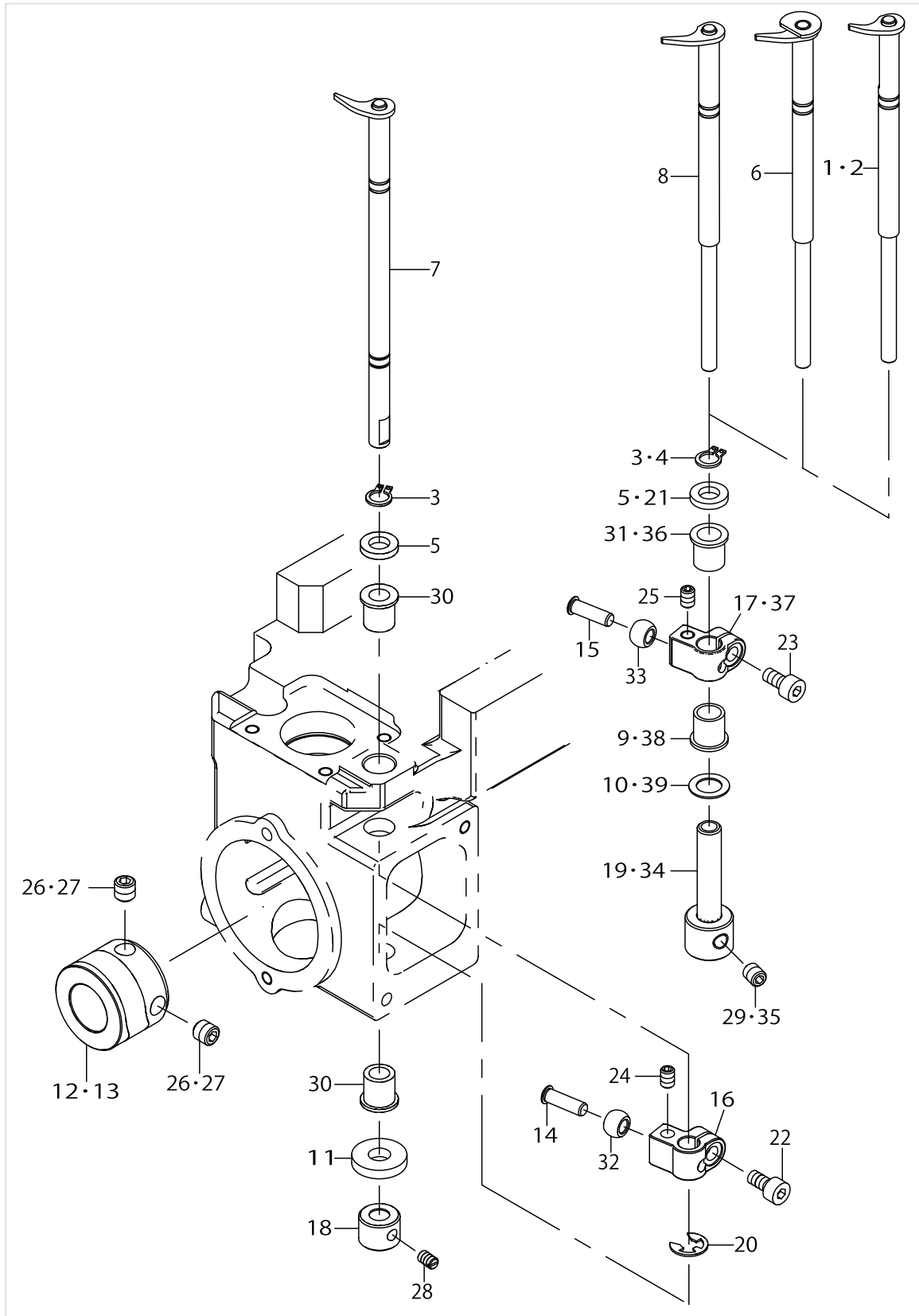
LOWER SHAFT COMPONENTS



LOWER SHAFT COMPONENTS

No.	Parts No.	Parts name	Remarks	Level	Cons	Qty
95	40138422	WASHER_T=1.7	SELECTIVE PARTS FOR LU-2810,2810-7,2818-7			1
96	40138423	WASHER_T=1.8	SELECTIVE PARTS FOR LU-2810,2810-7,2818-7			1
97	40143185	WASHER	SELECTIVE PARTS FOR LU-2810,2810-7,2818-7			1
98	40143188	WASHER	SELECTIVE PARTS FOR LU-2810,2810-7,2818-7			1
99	40143581	WASHER	SELECTIVE PARTS FOR LU-2810,2810-7,2818-7			1
100	40138418	WASHER_T=1.3	SELECTIVE PARTS FOR LU-2860,2860-7,2868-7			2
101	40138419	WASHER_T=1.4	SELECTIVE PARTS FOR LU-2860,2860-7,2868-7			2
102	40138420	WASHER_T=1.5	SELECTIVE PARTS FOR LU-2860,2860-7,2868-7			2
103	40138421	WASHER_T=1.6	SELECTIVE PARTS FOR LU-2860,2860-7,2868-7			2
104	40138422	WASHER_T=1.7	SELECTIVE PARTS FOR LU-2860,2860-7,2868-7			2
105	40138423	WASHER_T=1.8	SELECTIVE PARTS FOR LU-2860,2860-7,2868-7			2
106	40143185	WASHER	SELECTIVE PARTS FOR LU-2860,2860-7,2868-7			2
107	40143188	WASHER	SELECTIVE PARTS FOR LU-2860,2860-7,2868-7			2
108	40143581	WASHER	SELECTIVE PARTS FOR LU-2860,2860-7,2868-7			2

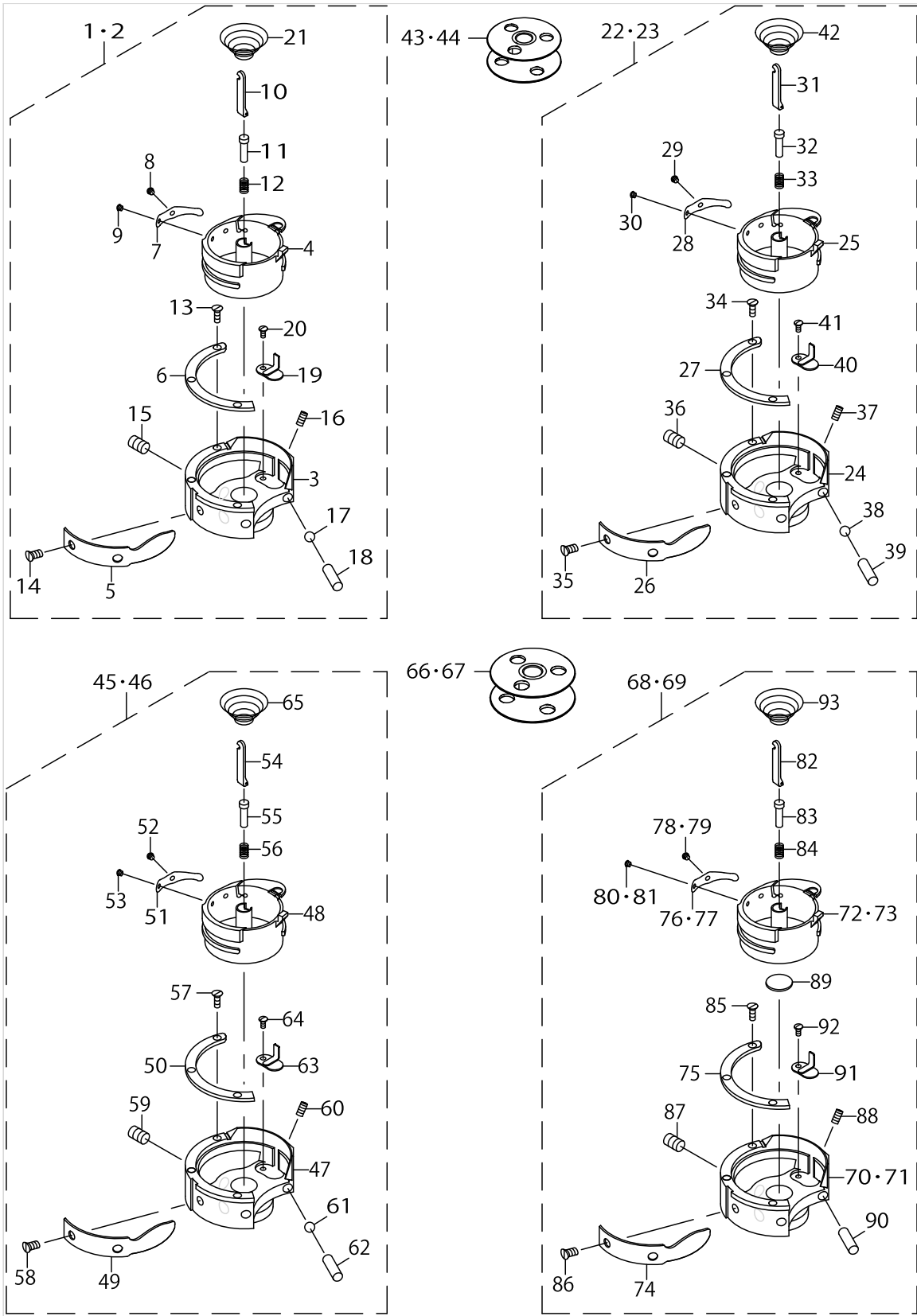
OPENNER COMPONENTS



OPENER COMPONENTS

No.	Parts No.	Parts name	Remarks	Level	Cons	Qty
1	40147915	OPENER_ASM_XXL	FOR LU-2818-7		☆	1
2	40147915	OPENER_ASM_XXL	FOR LU-2868-7		☆	2
3	RC0560711KP	RETAINING RING	FOR LU-2810,2810-7, 2818-7			1
4	RC0560711KP	RETAINING RING	FOR LU-2860,2860-7, 2868-7			2
5	WP0612066SP	WASHER 6.1X11X2	FOR LU-2810,2810-7, 2818-7			1
6	40137431	OPENER_ASM_L	FOR LU-2860-7		☆	2
7	40126361	OPENER_ASM.	FOR LU-2810,2810-7		☆	1
8	40135500	OPENER_ASM. L	FOR LU-2860		☆	2
9	40135473	METAL	FOR LU-2860,2860-7, 2868-7			2
10	WP0740516SP	WASHER 7.4X11.8X0.5	FOR LU-2860,2860-7, 2868-7			2
11	B3010141H00	WASHER	FOR LU-2810-7			1
12	40126547	OPENER_CAM_L	FOR LU-2860,2860-7, 2868-7			1
13	40126391	OPENER_CAM_R				1
14	40126360	OPENER_CAM_ROLLAR_SHAFT	FOR LU-2810,2810-7, 2818-7			1
15	40126360	OPENER_CAM_ROLLAR_SHAFT	FOR LU-2860,2860-7, 2868-7			2
16	40125859	OPENER_DRIVING_ARM	FOR LU-2810,2810-7			1
17	40135475	OPENER_DRIVING_ARM	FOR LU-2860,2860-7, 2868-7			2
18	40010298	JUNCTION SHAFT COLLAR	FOR LU-2810,2810-7			1
19	40135472	JUNCTION SHAFT COLLAR	FOR LU-2860,2860-7, 2868-7			2
20	RE0500000K0	E-RING	FOR LU-2810,2810-7			1
21	WP0612066SP	WASHER 6.1X11X2	FOR LU-2860,2860-7, 2868-7			2
22	SM6040802TP	SCREW M4X0.7 L=8	FOR LU-2810,2810-7, 2818-7			1
23	SM6040802TP	SCREW M4X0.7 L=8	FOR LU-2860,2860-7, 2868-7			2
24	SM8040612TP	SCREW M4 L=6	FOR LU-2810,2810-7, 2818-7			1
25	SM8040612TP	SCREW M4 L=6	FOR LU-2860,2860-7, 2868-7			2
26	SM8060612TP	SCREW M6 L=6	FOR LU-2810,2810-7, 2818-7			2
27	SM8060612TP	SCREW M6 L=6	FOR LU-2860,2860-7, 2868-7			4
28	SS8090670SP	SCREW 9/64-40 L=5.5	FOR LU-2810,2810-7			1
29	SM8050612TP	SCREW M5X6	FOR LU-2860,2860-7, 2868-7			4
30	40112252	OPENER_METAL	FOR LU-2810,2810-7			2
31	40112252	OPENER_METAL	FOR LU-2860,2860-7, 2868-7			2
32	40126351	OPENER_CAM_ROLLER	FOR LU-2810,2810-7, 2818-7			1
33	40126351	OPENER_CAM_ROLLER	FOR LU-2860,2860-7, 2868-7			2
34	40135472	OPENER_SLEEVE	FOR LU-2818-7			1
35	SM8050612TP	SCREW M5X6	FOR LU-2818-7			2
36	40112252	OPENER_METAL	FOR LU-2818-7			1
37	40135475	OPENER_DRIVING_ARM	FOR LU-2818-7			1
38	40135473	OPENER_METAL	FOR LU-2818-7			1
39	WP0740516SP	WASHER 7.4X11.8X0.5	FOR LU-2818-7			1

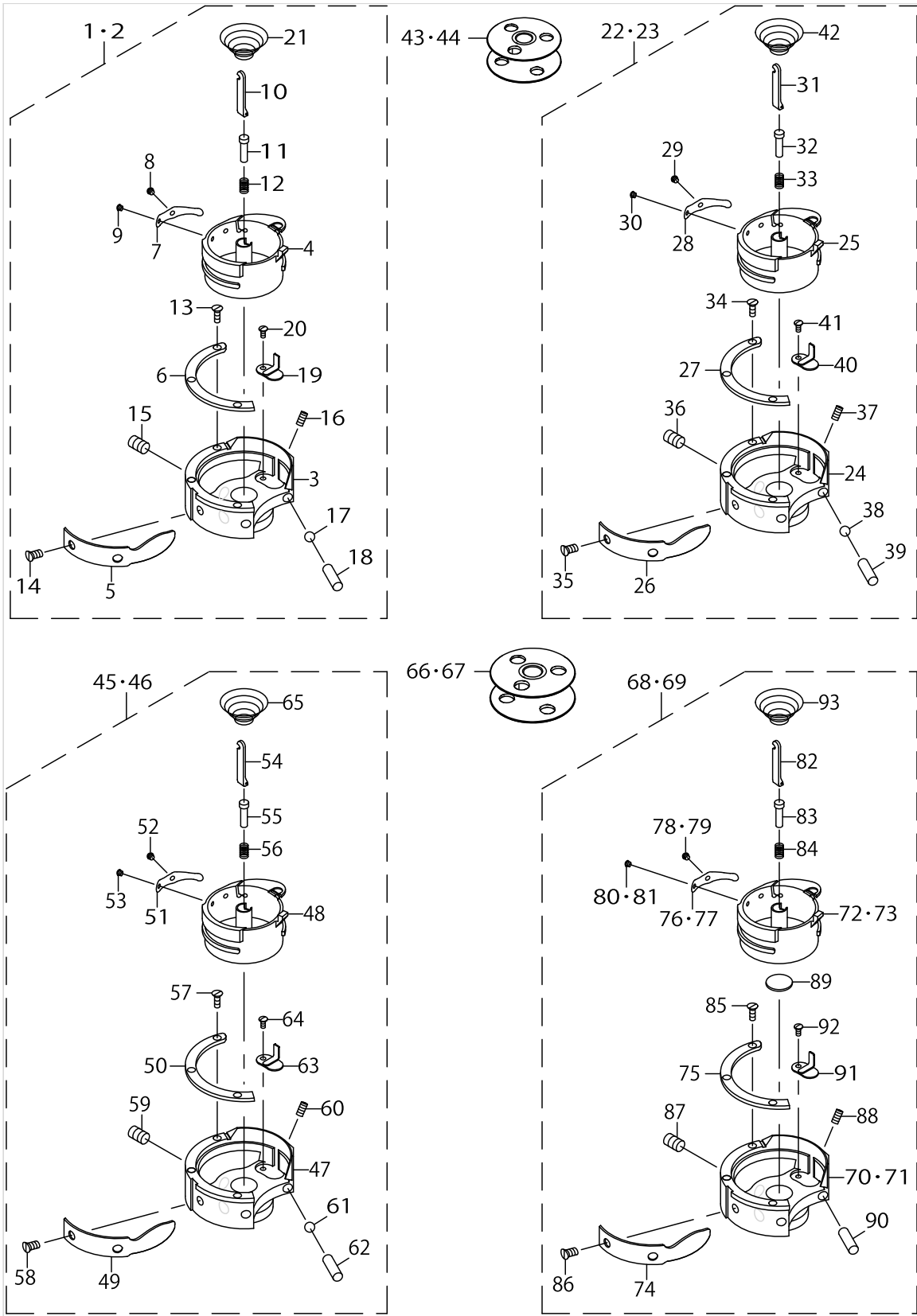
HOOK COMPONENTS



HOOK COMPONENTS

No.	Parts No.	Parts name	Remarks	Level	Cons	Qty
1	40131956	HOOK_ASM_T	SELECTIVE PARTS FOR LU-2810-7		☆	1
2	40131956	HOOK_ASM_T	SELECTIVE PARTS FOR LU-2860-7		☆	2
3	40148039	OUTER_HOOK		*	☆	1
4	40148040	INNER_HOOK		*	☆	1
5	40079896	NEEDLE HOLDER		*	☆	1
6	40148033	INNER_HOOK_HOLDER		*	☆	1
7	40079898	TENTION_SPRING		*	☆	1
8	40079899	ADJUSTING_SCREW		*	☆	1
9	40079900	TENTION_SPRING_SETSCREW		*	☆	1
10	40079901	BOBBIN_PRESSER		*	☆	1
11	40079902	PRESSER LIFTER		*	☆	1
12	40079903	PRESSER LIFTER SPRING		*	☆	1
13	40079904	INNER HOOK HOLDER SETSCREW		*	☆	3
14	40079905	NEEDLE HOLDER SETSCREW		*	☆	2
15	40075542	OUTER_HOOK_SETSCREW		*	☆	2
16	40079909	NEEDLE HOLDER ADJUSTING SCREW		*	☆	1
17	40148037	BALL		*	☆	1
18	40148038	SLIDE_PIN		*	☆	1
19	40075548	OIL_COVER		*	☆	1
20	40075547	OIL_COVER_SETSCREW		*	☆	1
21	40079912	IDLING PRIVENTION SPRING		*	☆	1
22	40126399	HOOK_ASM	FOR LU-2810		☆	1
23	40126399	HOOK_ASM	FOR LU-2860		☆	2
24	40148031	OUTER_HOOK		*	☆	1
25	40148032	INNER_HOOK		*	☆	1
26	40079896	NEEDLE HOLDER		*	☆	1
27	40148033	INNER_HOOK_HOLDER		*	☆	1
28	40148034	TENTION_SPRING		*	☆	1
29	40148035	ADJUSTING_SCREW		*	☆	1
30	40148036	TENTION_SPRING_SETSCREW		*	☆	1
31	40079901	BOBBIN PRESSER		*	☆	1
32	40079902	PRESSER LIFTER		*	☆	1
33	40079903	PRESSER LIFTER SPRING		*	☆	1
34	40079904	INNER HOOK HOLDER SETSCREW		*	☆	3
35	40079905	NEEDLE HOLDER SETSCREW		*	☆	2
36	40075542	OUTER_HOOK_SETSCREW		*	☆	2
37	40079909	NEEDLE HOLDER ADJUSTING SCREW		*	☆	1
38	40148037	BALL		*	☆	1
39	40148038	SLIDE_PIN		*	☆	1
40	40075548	OIL_COVER		*	☆	1
41	40075547	OIL_COVER_SETSCREW		*	☆	1
42	40079912	IDLING PRIVENTION SPRING		*	☆	1
43	21334800	ALUMINUM BOBBIN WITH KNURL	FOR LU-2810,2810-7		☆	1
44	21334800	ALUMINUM BOBBIN WITH KNURL	FOR LU-2860,2860-7		☆	2
45	40147985	TRIM HOOK ASM. XXL LP	FOR LU-2818-7		☆	1
46	40147985	TRIM HOOK ASM. XXL LP	FOR LU-2868-7		☆	2

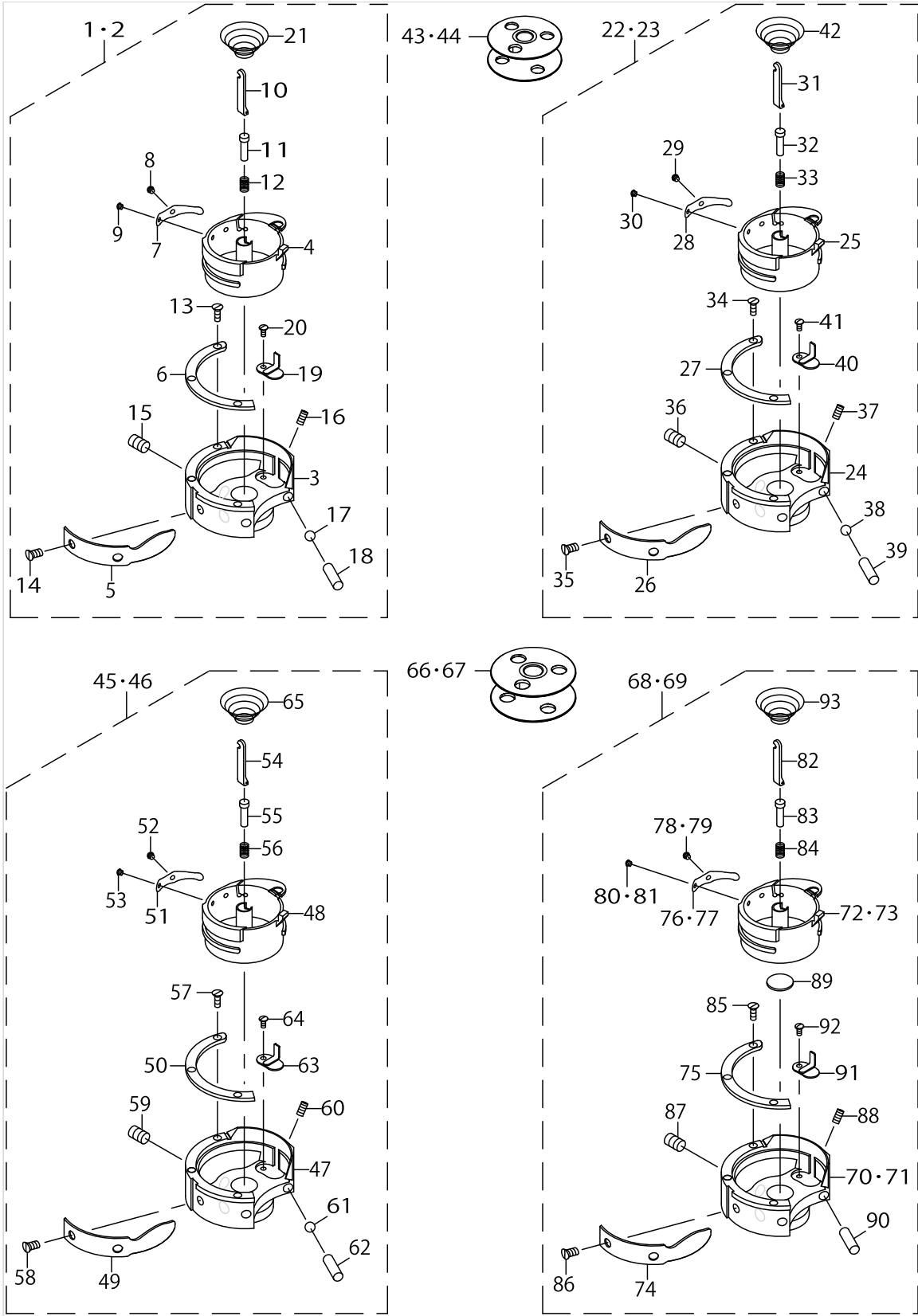
HOOK COMPONENTS



HOOK COMPONENTS

No.	Parts No.	Parts name	Remarks	Level	Cons	Qty
47	40149030	OUTER_HOOK		*	☆	1
48	40149038	INNER_HOOK		*	☆	1
49	40149032	NEEDLE HOLDER		*	☆	1
50	40149033	INNER_HOOK_HOLDER		*	☆	1
51	40079898	TENTION SPRING		*	☆	1
52	40079899	ADJUSTING SCREW		*	☆	1
53	40079900	TENTION SPRING SETSCREW		*	☆	1
54	40149034	BOBBIN_PRESSER		*	☆	1
55	40079902	PRESSER LIFTER		*	☆	1
56	40079903	PRESSER LIFTER SPRING		*	☆	1
57	40149035	INNER_HOOK_HOLDER_SETSCREW		*	☆	3
58	40149036	NEEDLE HOLDER_SETSCREW		*	☆	2
59	40075542	OUTER_HOOK_SETSCREW		*	☆	2
60	40079909	NEEDLE HOLDER ADJUSTING SCREW		*	☆	1
61	40148037	BALL		*	☆	1
62	40149037	SLIDE_PIN		*	☆	1
63	40075547	OIL_COVER_SETSCREW		*	☆	1
64	40075548	OIL_COVER		*	☆	1
65	40079912	IDLING PRIVENTION SPRING		*	☆	1
66	40147913	BOBBIN	FOR LU-2818-7		☆	1
67	40147913	BOBBIN	FOR LU-2868-7		☆	2
68	40142204	HOOK_T_ASM	SELECTIVE PARTS FOR JA(LU-2810-7,2860-7)			1
69	40142203	HOOK_S_ASM	SELECTIVE PARTS FOR JA(LU-2810,2860)			1
70	40169451	OUTER_HOOK	SELECTIVE PARTS FOR JA(LU-2810-7,2860-7)	*		1
71	40169431	OUTER_HOOK	SELECTIVE PARTS FOR JA(LU-2810,2860)	*		1
72	40169452	INNER_HOOK	SELECTIVE PARTS FOR JA(LU-2810-7,2860-7)	*		1
73	40169432	INNNER_HOOK	SELECTIVE PARTS FOR JA(LU-2810,2860)	*		1
74	40169434	NEEDLE HOLDER		*		1
75	40169433	INNNER_HOOK_HOLDER		*		1
76	40169453	TENTION_SPRING	SELECTIVE PARTS FOR JA(LU-2810-7,2860-7)	*		1
77	40169438	TENTION_SPRING	SELECTIVE PARTS FOR JA(LU-2810,2860)	*		1
78	40169455	TENTION_SPRING_SETSCREW	SELECTIVE PARTS FOR JA(LU-2810-7,2860-7)	*		1
79	40169441	TENTION_SPRING_SETSCREW	SELECTIVE PARTS FOR JA(LU-2810,2860)	*		1
80	40169454	ADJUSTING_SCREW	SELECTIVE PARTS FOR JA(LU-2810-7,2860-7)	*		1
81	40169440	ADJUSTING_SCREW	SELECTIVE PARTS FOR JA(LU-2810,2860)	*		1
82	40169435	BOBBIN_PRESSER		*		1
83	40169436	BOBBIN_PRESSER_PIN		*		1
84	40169437	BOBBIN_PRESSER_SPRING		*		1
85	40169439	INNER_HOOK_HOLDER_SETSCREW		*		3
86	40169442	NEEDLE HOLDER_SETSCREW		*		2
87	40169446	OUTER_HOOK_SETSCREW		*		2
88	40169450	NEEDLE HOLDER_ADJUSTING_SCREW		*		1

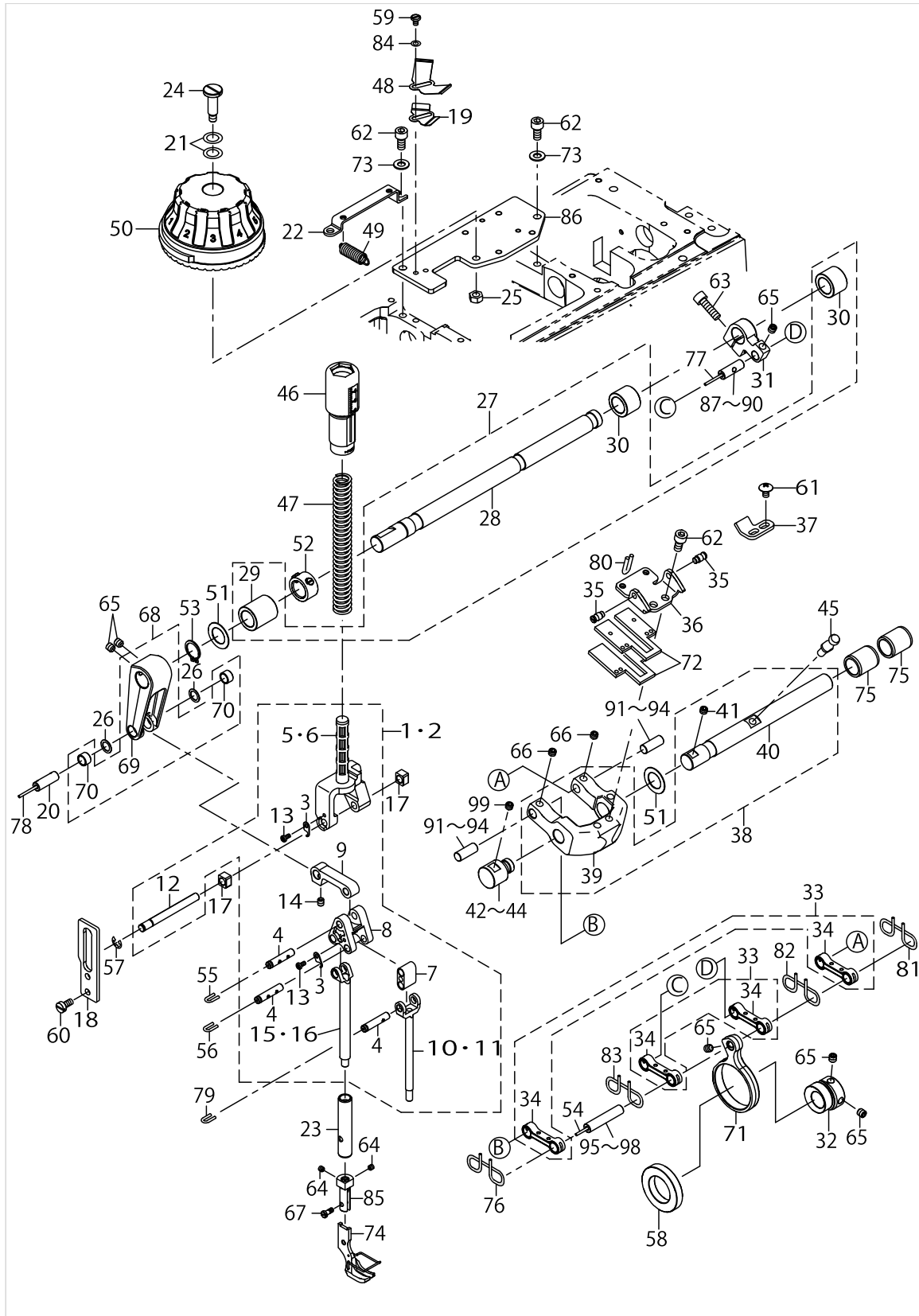
HOOK COMPONENTS



HOOK COMPONENTS

No.	Parts No.	Parts name	Remarks	Level	Cons	Qty
89	40169445	SHAFT_COVER		*		1
90	40169449	SLIDE_PIN		*		1
91	40169447	OIL_COVER		*		1
92	40169448	OIL_COVER_SETSCREW		*		1
93	40169443	IDLING_PRIVENTION_SPRING		*		1

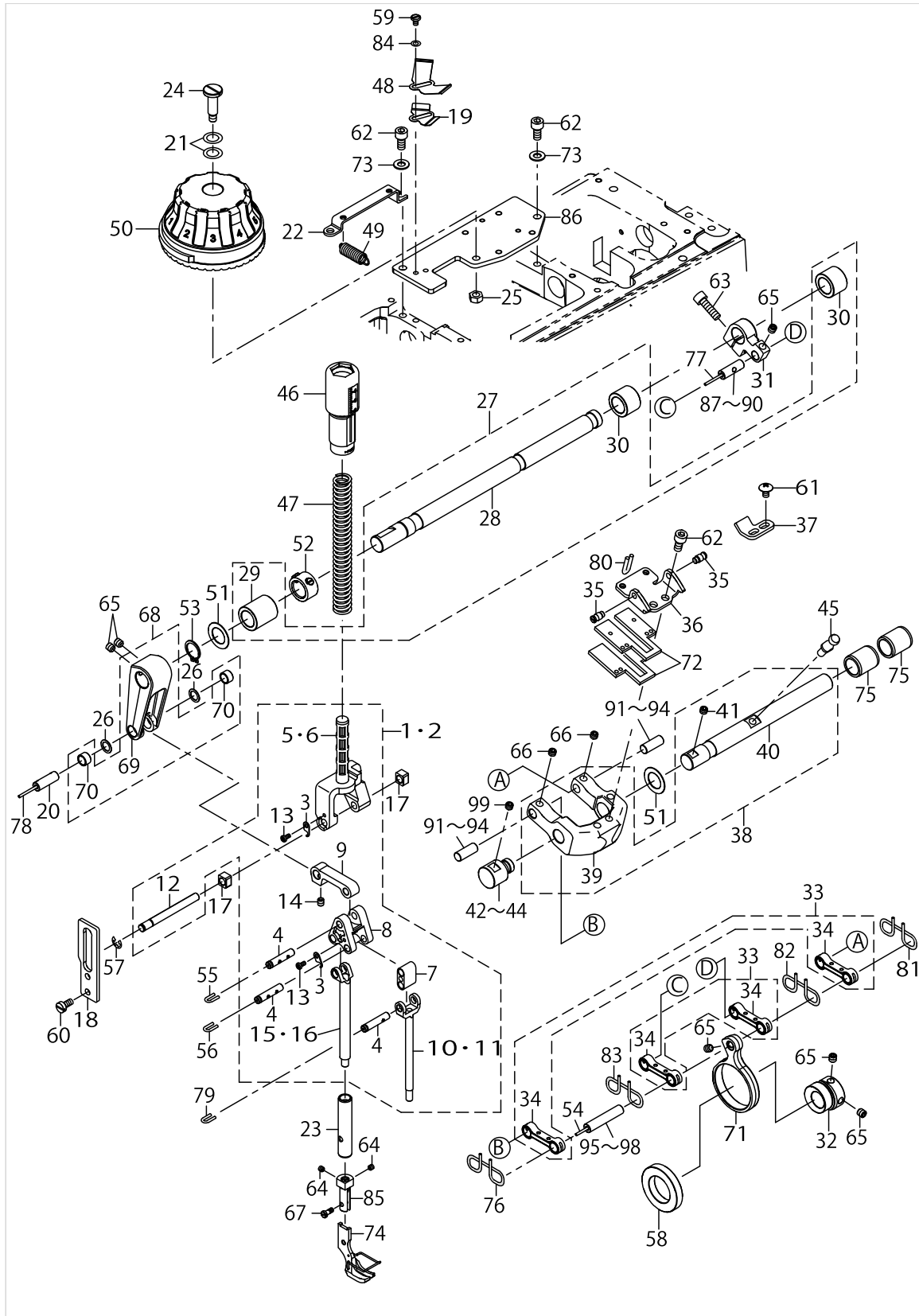
UPPER FEED COMPONENTS



UPPER FEED COMPONENTS

No.	Parts No.	Parts name	Remarks	Level	Cons	Qty
1	40144288	UPPER_FEED F ASM_S	FOR LU-2810S,2810S-7,2860S, 2860S-7			1
2	40144289	UPPER_FEED F ASM_E	FOR LU-2810A,2810A-7,2860-A, 2860A-7,2818A-7,2868A-7			1
3	10710804	TRIANGLE LEVER SHAFT STOPPER		*		2
4	40112176	CONNECTION_PIN		*		3
5	40144286	SPRING RECEIVING S	FOR LU-2810S,2810S-7,2860S, 2860S-7	*		1
6	40144287	SPRING RECEIVING E	FOR LU-2810A,2810A-7,2860-A, 2860A-7,2818A-7,2868A-7	*		1
7	40176628	WALKING_BAR_DRIVING_LINK		*		1
8	40125852	TRIANGULAR_LEVER		*		1
9	40125854	UPPER_FEED_LINK_A		*		1
10	40125936	WALKING_BAR_S	FOR LU-2810S,2810S-7,2860S, 2860S-7	*		1
11	40125937	WALKING_BAR_E	FOR LU-2810A,2810A-7,2860-A, 2860A-7,2818A-7,2868A-7	*		1
12	40126166	PRESSER_BAR_GUIDE_SHAFT		*		1
13	SM4030601SN	SCREW M3X6		*		2
14	SM8050612TP	SCREW M5X6		*		1
15	40125860	PRESSURE_BAR_S_A	FOR LU-2810S,2810S-7,2860S, 2860S-7	*		1
16	40125861	PRESSURE_BAR_E	FOR LU-2810A,2810A-7,2860-A, 2860A-7,2818A-7,2868A-7	*		1
17	40090058	SLIDE BLOCK				2
18	40125943	PRESSER ROD GUIDE				1
19	40154199	LEAF_SPRING_ADJUSTING_PLATE				1
20	40123634	ROCKING_LINK_PIN				1
21	40023627	PRESSER PLATE SHEET WASHER				2
22	40125867	SPRING_HOOK				1
23	40171574	PRESSER_BAR_BUSHING				1
24	SD0802126TP	SHOULDER SCREW D=8 H=21.2				1
25	NM6060001SD	NUT M6				1
26	E2613700000	WASHER				2
27	40123319	UPPER_FEED_SHAFT_ASM.				1
28	40123262	UPPER_FEED_SHAFT		*		1
29	40123320	UPPER_FEED_SHAFT_METAL_F		*		1
30	40123321	UPPER_FEED_SHAFT_METAL_R		*		2
31	40126160	UPPER_FEED_REAR_ARM				1
32	40126390	UPPER_FEED_CAM				1
33	40126338	CONNECTION_LINK_ASM.				2
34	40126223	CONNECTION_LINK		*		2
35	40038494	THREAD_BIND_ARM_SPRING RAC				2
36	40126269	CHANGE_BASE_SPRING_RACK				1
37	40126264	CHANGE_BASE_STOPPER				1
38	40123416	UPPER_FEED_CHANGE_BASE_ASM.				1
39	40123414	UPPER_FEED_CHANGE_BASE		*		1
40	40123555	UF_CHANGE_BASE_SHAFT		*		1
41	SM80608A2TP	SCREW M6 L=8		*		1
42	40145548	UF_CHANGE_BASE_SUPPORT_PIN	SELECTIVE PARTS			1
43	40145549	UF_CHANGE_BASE_SUPPORT_PIN	SELECTIVE PARTS			1
44	40145550	UF_CHANGE_BASE_SUPPORT_PIN	SELECTIVE PARTS			1
45	40126374	VERTICAL_ADJUSTING_PIN				1

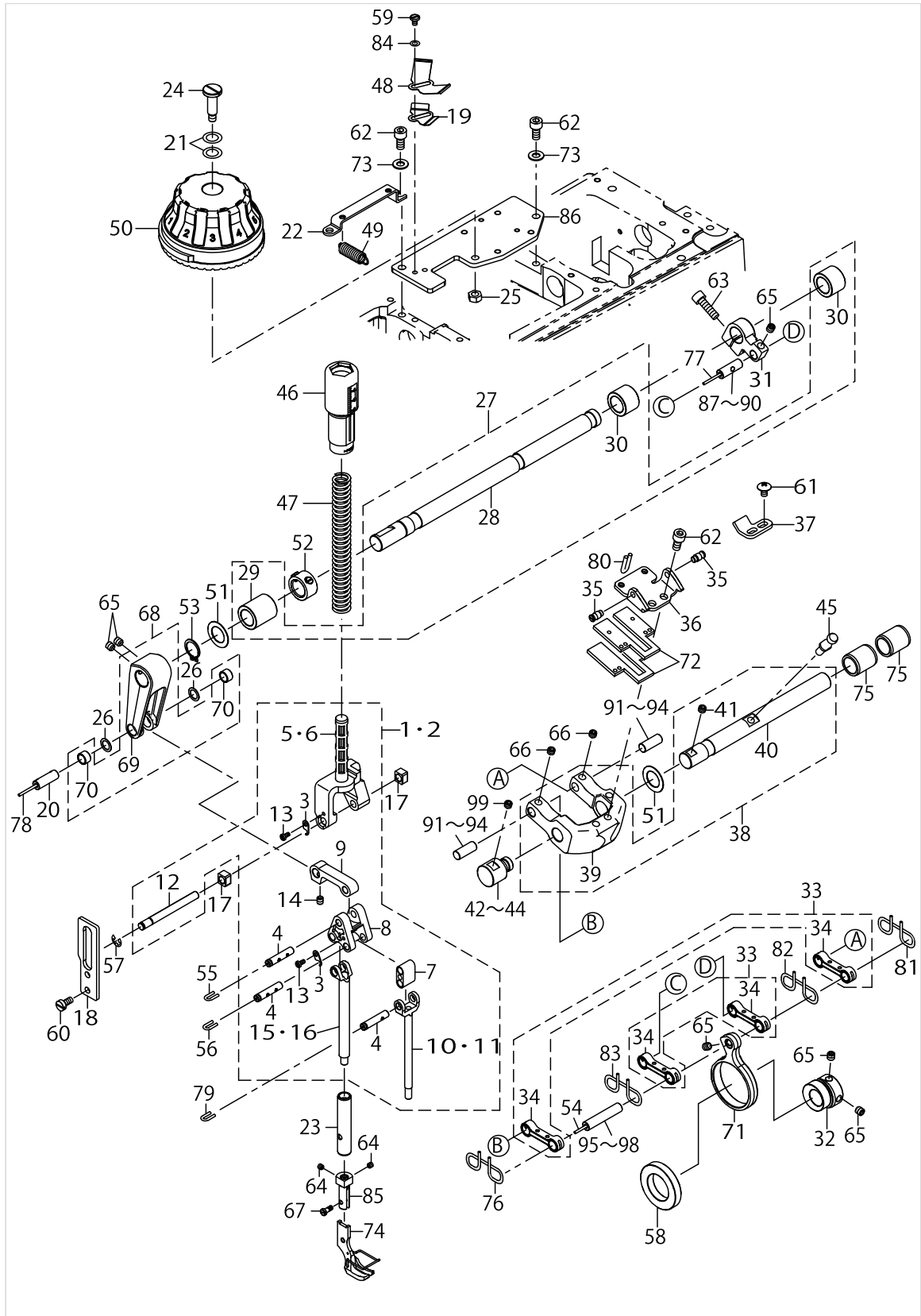
UPPER FEED COMPONENTS



UPPER FEED COMPONENTS

No.	Parts No.	Parts name	Remarks	Level	Cons	Qty
46	40125926	PRESSER_ADJUSTING_SCREW				1
47	40112197	PRESSER_SPRING			☆	1
48	40112199	LEAF_SPRING				1
49	40126400	SPRING				2
50	40125850	VERTICAL_DIAL(VE)				1
51	D1231555B00	WASHER				2
52	22904155	MAIN SHAFT THRUST COLLAR ASM.				1
53	RC0150001KP	RETAINING RING 13.8				1
54	CQ202000000	OIL WICK				0.042
55	CQ252000000	OIL WICK				0.048
56	CQ252000000	OIL WICK				0.048
57	RE0500000K0	E-RING				1
58	SB125000600	BEARING				1
59	SM6040650TP	SCREW				2
60	SM6051000SP	SCREW				2
61	SM0050801SC	SCREW				2
62	SM6061202TP	SCREW M6 L=12				5
63	SM6062002TP	SCREW M6 L=20				1
64	SM8040412TP	SET SCREW M4 L=4	FOR LU-2810S,2810S-7,2860S, 2860S-7			2
65	SM8060612TP	SCREW M6 L=6				6
66	SM8060552TP	SCREW M6 L=5				2
67	SS6090910TP	SCREW 9/64-40 L=9	FOR LU-2810S,2810S-7,2860S, 2860S-7			1
68	40126159	UPPER_FEED_FRONT_ARM_ASM.				1
69	40126157	UPPER_FEED_FRONT_ARM		*		1
70	40126158	UPPER_FEED_FRONT_ARM_BUSH		*		2
71	40125876	UPPER_FEED_CAM_ROD				1
72	40123345	FELT				2
73	WP0651001SC	WASHER				2
74	21350152	PRESSER FOOT ASM.	EXCHANGING GAUGE PARTS (SEE.P.53)			1
75	22913008	FEED ROCKER SHAFT BUSHING				2
76	CQ202000000	OIL WICK				0.25
77	CQ202000000	OIL WICK				0.02
78	CQ202000000	OIL WICK				0.02
79	CQ252000000	OIL WICK				0.048
80	CQ202000000	OIL WICK				0.1
81	CQ202000000	OIL WICK				0.25
82	CQ202000000	OIL WICK				0.25
83	CQ202000000	OIL WICK				0.25
84	WP0430800SD	WASHER M4				4
85	40125877	PRESSURE_BAR_S_B	FOR LU-2810S,2810S-7			1
86	40125868	INSTALLING_PLATE				1
87	40149115	ROCKING_LINK_PIN_A	SELECTIVE PARTS			1
88	40149116	ROCKING_LINK_PIN_B	SELECTIVE PARTS			1
89	40149117	ROCKING_LINK_PIN_C	SELECTIVE PARTS			1
90	40149118	ROCKING_LINK_PIN_D	SELECTIVE PARTS			1
91	40149120	FEED_ADJUSTING_PIN_A	SELECTIVE PARTS			2
92	40149121	FEED_ADJUSTING_PIN_B	SELECTIVE PARTS			2

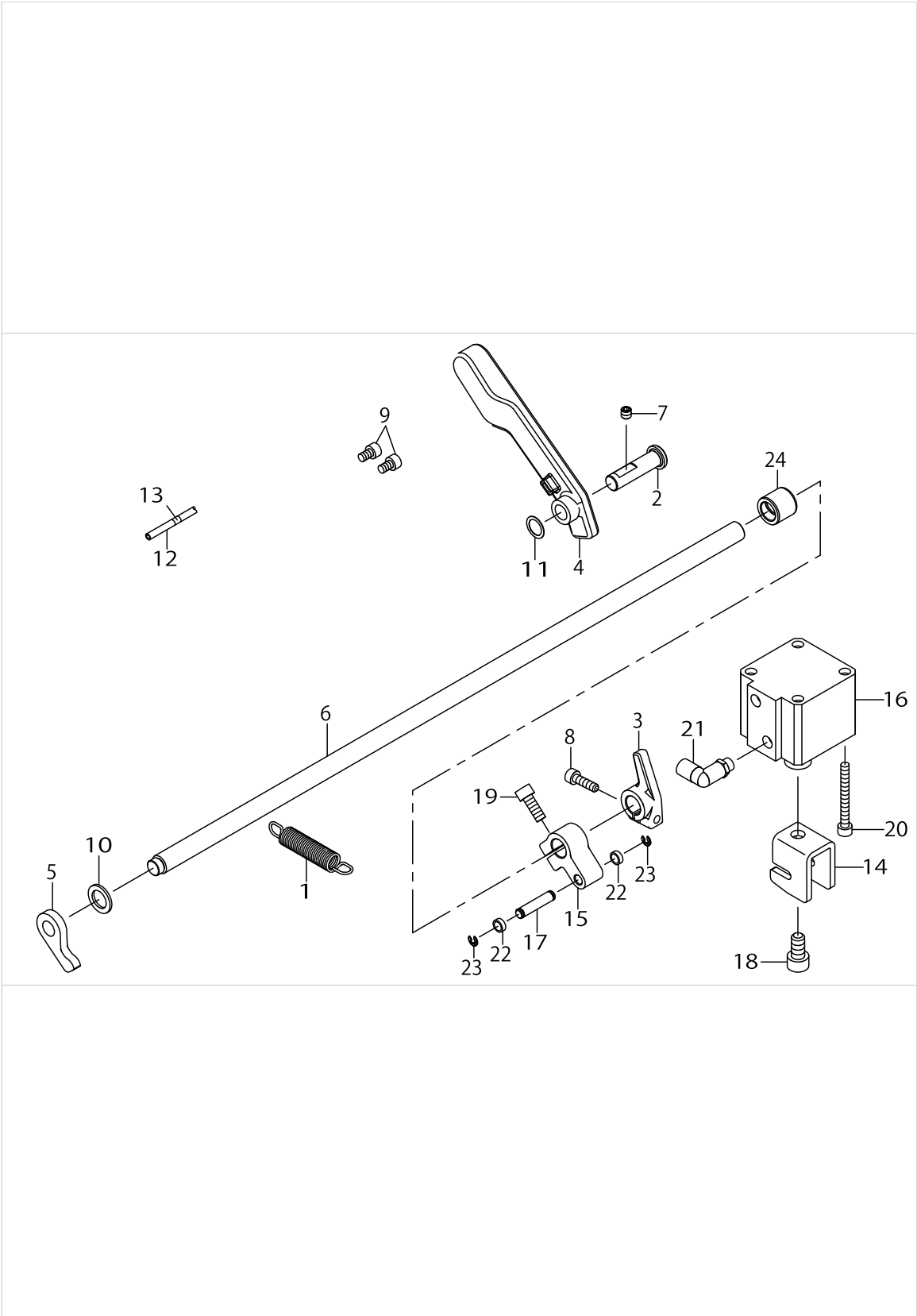
UPPER FEED COMPONENTS



UPPER FEED COMPONENTS

No.	Parts No.	Parts name	Remarks	Level	Cons	Qty
93	40149122	FEED_ADJUSTING_PIN_C	SELECTIVE PARTS			2
94	40149123	FEED_ADJUSTING_PIN_D	SELECTIVE PARTS			2
95	40149125	FEED_ROD_PIN_A	SELECTIVE PARTS			1
96	40149126	FEED_ROD_PIN_B	SELECTIVE PARTS			1
97	40149127	FEED_ROD_PIN_C	SELECTIVE PARTS			1
98	40149128	FEED_ROD_PIN_D	SELECTIVE PARTS			1
99	SM80608A2TP	SCREW M6 L=8				1

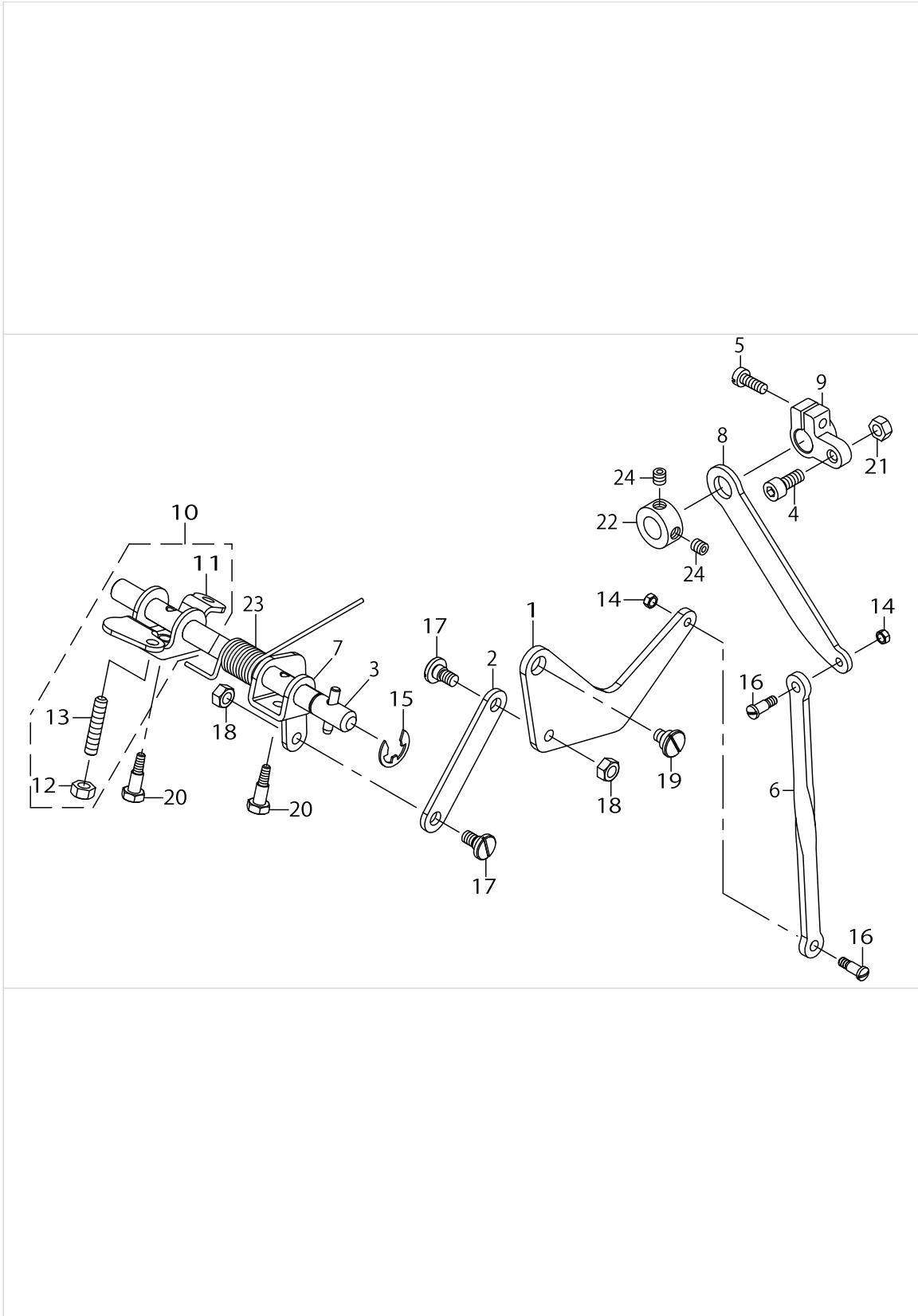
HAND LIFTER & AUTO LIFTER COMPONENTS



HAND LIFTER & AUTO LIFTER COMPONENTS

No.	Parts No.	Parts name	Remarks	Level	Cons	Qty
1	40126367	SPRING				1
2	40006716	THREAD_TRIMMER_SHAFT				1
3	40112184	LIFTER_LEVER_A				1
4	40126150	LIFTER_LEVER_B				1
5	40144283	LIFTER PLATE				1
6	40126364	LIFTER_SHAFT				1
7	SM8060612TP	SCREW M6 L=6				1
8	SM6051802TP	SCREW M5 L=18				1
9	SM6050802TP	SCREW M5X0.8 L=8				2
10	13409107	WASHER				1
11	WZ1052010KP	WAVED WASHER				1
12	BT0400251EB	URETHANE HOSE BLACK	FOR LU-2810-7,2860-7, 2818-7,2868-7			0.62
13	18035303	WIRE MARK (4)	FOR LU-2810-7,2860-7, 2818-7,2868-7			1
14	40112187	KNUCKLE_JOINT_A	FOR LU-2810-7,2860-7, 2818-7,2868-7			1
15	40112188	LIFTING_ARM	FOR LU-2810-7,2860-7, 2818-7,2868-7			1
16	PA400150200	AIR CYLINDER	FOR LU-2810-7,2860-7, 2818-7,2868-7			1
17	22949101	ROLLER FULCRUM SHAFT	FOR LU-2810-7,2860-7, 2818-7,2868-7			1
18	SM6081552TP	SCREW M8 L=15	FOR LU-2810-7,2860-7, 2818-7,2868-7			1
19	SM6061602TP	SCREW M6 L=16	FOR LU-2810-7,2860-7, 2818-7,2868-7			1
20	SM6054502TN	SCREW M5 L=45	FOR LU-2810-7,2860-7, 2818-7,2868-7			4
21	PJ304045102	ELBOW UNION C	FOR LU-2810-7,2860-7, 2818-7,2868-7			1
22	13951009	PRESSER FOOT ROLLER	FOR LU-2810-7,2860-7, 2818-7,2868-7			2
23	RE0400000K0	E-RING 4	FOR LU-2810-7,2860-7, 2818-7,2868-7			2
24	40086018	BUSHING_MAIN_FEED				1

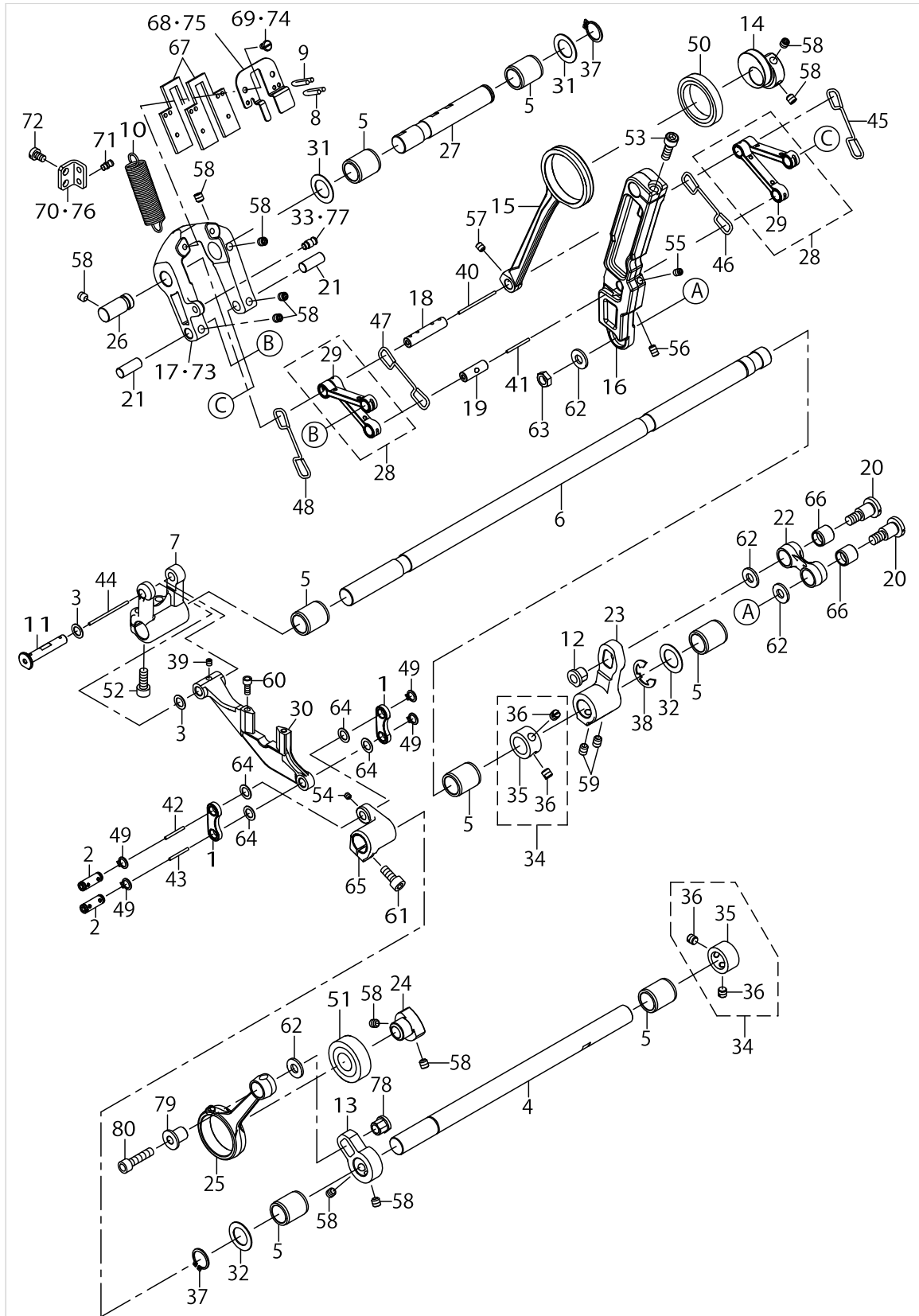
KNEE LIFTER COMPONENTS (FOR LU-2810,2860)



KNEE LIFTER COMPONENTS (FOR LU-2810,2860)

No.	Parts No.	Parts name	Remarks	Level	Cons	Qty
1	40126270	KNEE_PAD_LINK_A				1
2	40126271	KNEE_PAD_LINK_B				1
3	40126356	KNEE_LIFTER_SHAFT_ASM.				1
4	SM6051202TP	SCREW M5X0.8 L=12				1
5	SM6051400SP	SCREW				1
6	40126272	KNEE_PAD_LINK_D				1
7	40126273	KNEE_PAD_DRIVING_ARM				1
8	40126274	KNEE_PAD_LINK_C				1
9	40112127	BACKWARD_FEED_CONNECTING_ARM				1
10	22932156	KNEE LIFTER ROTATION ARM ASM.				1
11	22932107	KNEE LIFTING ROTATING ARM		*		1
12	NM6060001SE	NUT M6		*		2
13	SM8063012TR	SCREW M6 L=30		*		2
14	NS6110310SP	NUT 11/64-40				2
15	RE1000000K0	E-RING 10				1
16	SD0500803TP	HINGE SCREW D=5 H=8				2
17	40082078	SHOULDER SCREW D=7.24 H=3.3				2
18	NM6060001SE	NUT M6				2
19	SD1000406TP	SHOULDER SCREW				1
20	SM9061853SR	SCREW M6 L=17.5				2
21	NM6050001SD	NUT M5X0.8				1
22	CS1201171TP	THRUST COLLAR D=12 W=11				1
23	23639503	SPRING				1
24	SM8060612TP	SCREW M6 L=6				2

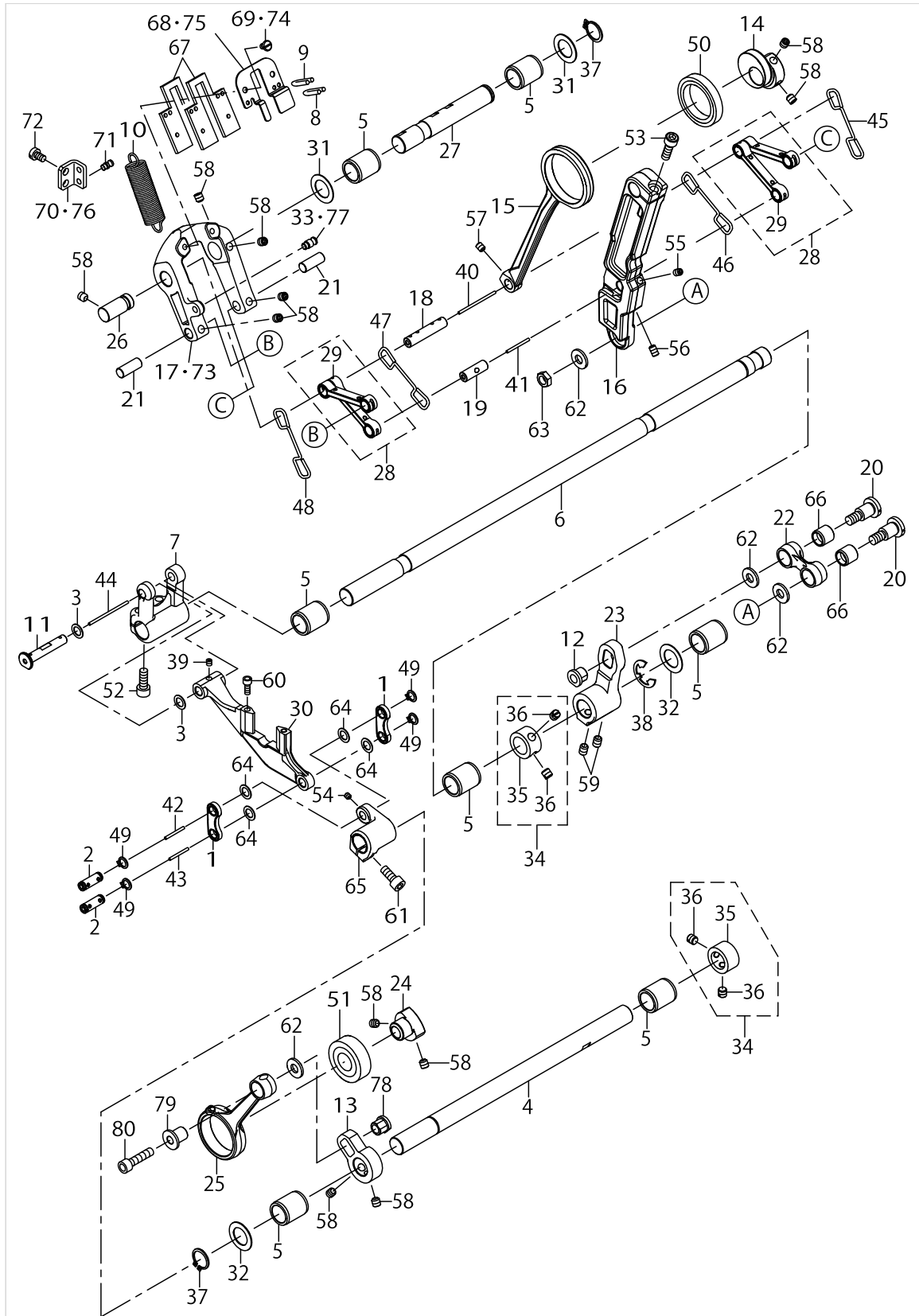
LOWER FEED COMPONENTS



LOWER FEED COMPONENTS

No.	Parts No.	Parts name	Remarks	Level	Cons	Qty
1	40123666	VERTICAL_LINK				2
2	40143626	VERTICAL FEED LINK SHAFT				2
3	WP0740516SP	WASHER 7.4X11.8X0.5				2
4	40123667	VERTICAL_FEED_LINK				1
5	22913008	FEED ROCKER SHAFT BUSHING				7
6	40126386	HORIZONTAL_FEED_SHAFT				1
7	40126161	FEED_BASE_ARM				1
8	CQ202000000	OIL WICK				0.05
9	CQ202000000	OIL WICK				0.05
10	40126401	SPRING_B				1
11	40112098	FEED_BASE_SHAFT				1
12	40126357	VERTICAL_FEED_ROD_NUT				1
13	40125843	VERTICAL_FEED_ARM_REAR				1
14	40123626	HORIZONTAL_FEED_CAM				1
15	40126151	HORIZONTAL_FEED_ROD				1
16	40123547	NEEDLE_BAR_ROCKING_LINK				1
17	40123629	HORIZONTAL_FEED_CHANGE_BASE	FOR LU-2810,2860,2810-7 2860-7			1
18	40112118	FEED_ROD_PIN				1
19	40123634	ROCKING_LINK_PIN				1
20	SD1021251SP	HINGE SCREW D=10.20 H=12.5				2
21	40126375	FEED_ADJUSTING_PIN_A				2
22	40125856	CONNECTION_LINK				1
23	40123668	HORIZONTAL_FEED_ARM				1
24	40123627	VERTICAL_FEED_CAM				1
25	40125857	VERTICAL_FEED_ROD				1
26	40123639	HF_CHANGE_BASE_SUPPORT_PIN				1
27	40123332	CHANGE_BASE_SHAFT				1
28	40126339	CONNECTION_LINK_ASM.				2
29	40123252	CONNECTION_LINK		*		2
30	40112293	FEED_BASE				1
31	D1231555B00	WASHER				2
32	B125578100A	WASHER A				2
33	40038494	THREAD_BIND_ARM_SPRING RAC	FOR LU-2810,2860,2810-7 2860-7			1
34	22904155	MAIN SHAFT THRUST COLLAR ASM.				2
35	22904106	MAIN SHAFT THRUST COLLAR		*		1
36	SS8660610TP	SCREW 1/4-40 L=6		*		2
37	RC0150001KP	RETAINING RING 13.8				2
38	RE1200000K0	E-RING 12				1
39	SS8110422TP	SCREW 11/64-40 L=4				1
40	CQ202000000	OIL WICK				0.042
41	CQ202000000	OIL WICK				0.02
42	CQ202000000	OIL WICK				0.024
43	CQ202000000	OIL WICK				0.024
44	CQ202000000	OIL WICK				0.04
45	CQ202000000	OIL WICK				0.3
46	CQ202000000	OIL WICK				0.3
47	CQ202000000	OIL WICK				0.3

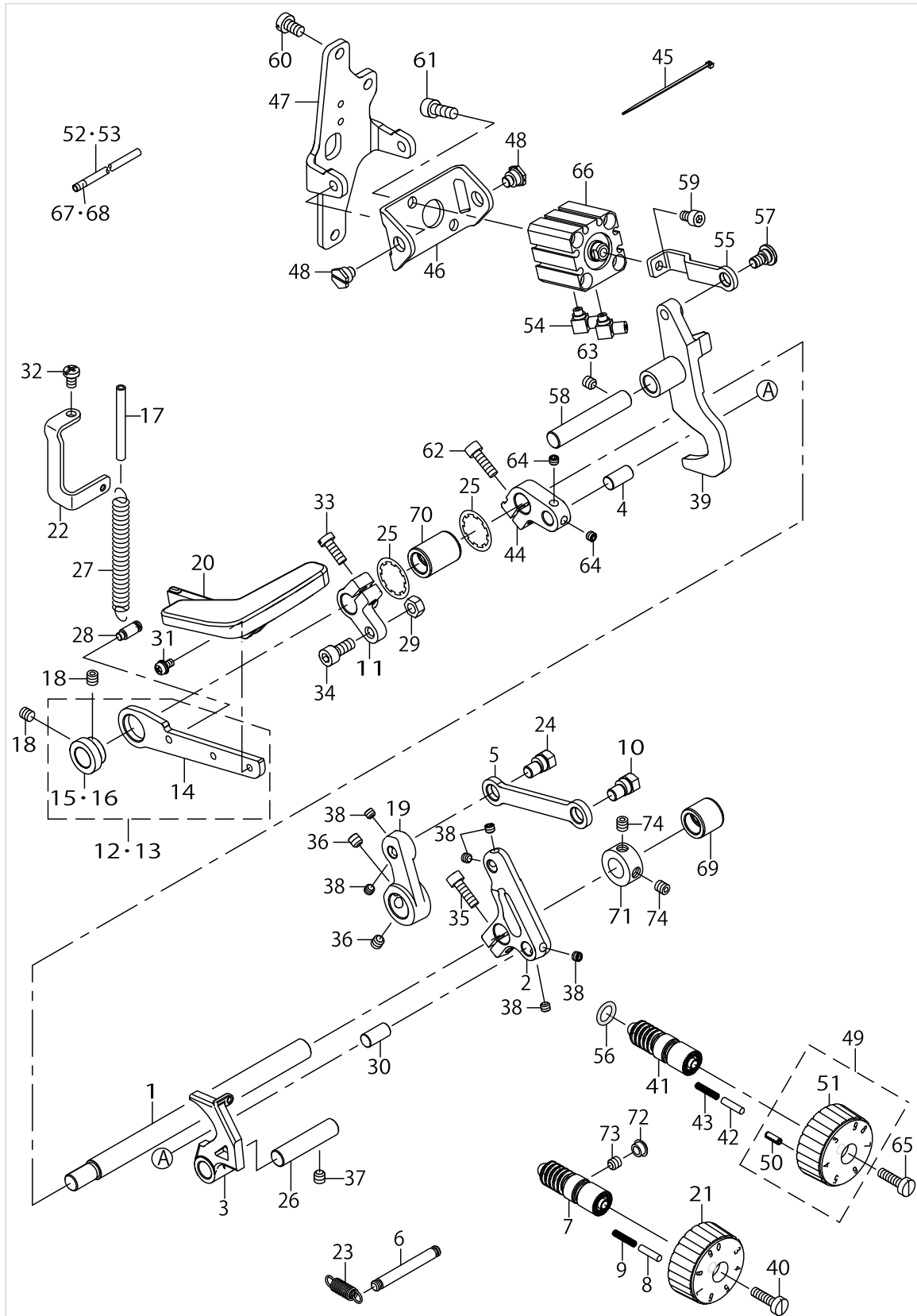
LOWER FEED COMPONENTS



LOWER FEED COMPONENTS

No.	Parts No.	Parts name	Remarks	Level	Cons	Qty
48	CQ202000000	OIL WICK				0.3
49	RC0650811KP	RETAINING RING				4
50	40143087	BEARING				1
51	40143085	BEARING				1
52	SM6061602TP	SCREW M6 L=16				2
53	SM6061802TP	SCREW M6 L=18				1
54	SM8040412TP	SET SCREW M4 L=4				1
55	SM8050842TP	SETSCREW				1
56	SM8050812TP	SCREW M5X8				1
57	SM8050612TP	SCREW M5X6				1
58	SM8060612TP	SCREW M6 L=6				11
59	SM8060812TP	SCREW M6 L=8				2
60	SS6111052TP	SCREW				2
61	SM6061402TP	SCREW M6 L=14				1
62	26018705	WASHER				4
63	NS6680410SP	NUT 9/32-28				1
64	WP0740516SP	WASHER 7.4X11.8X0.5				4
65	40125935	VERTICAL_FEED_ARM_FRONT				1
66	40126359	VERTICAL_FEED_ROD_BUSH				2
67	40123345	FELT				2
68	40123346	FELT HOLDER	FOR LU-2810,2860,2810-7 2860-7			1
69	SM6040650TP	SCREW	FOR LU-2810,2860,2810-7 2860-7			2
70	12288908	THROAT PLATE BASE B SUPPORT	FOR LU-2810,2860,2810-7 2860-7			1
71	26017400	SPRING RAC				1
72	SM6050800SP	SCREW M5 L=8				2
73	40137553	HORIZONTAL_FEED_CHANGE_BASE	FOR LU-2818-7,2868-7			1
74	SM6040650TP	SCREW	FOR LU-2818-7,2868-7			1
75	40137554	FELE HOLDER	FOR LU-2818-7,2868-7			1
76	40137779	SUPPORT_PLATE	FOR LU-2818-7,2868-7			1
77	40137780	SPRING_RAC	FOR LU-2818-7,2868-7			1
78	40154832	VERTICAL_FEED_ROD_NUT				1
79	40154833	VERTICAL_FEED_COLLAR				1
80	SM6062502TP	SCREW M6 L=25				1

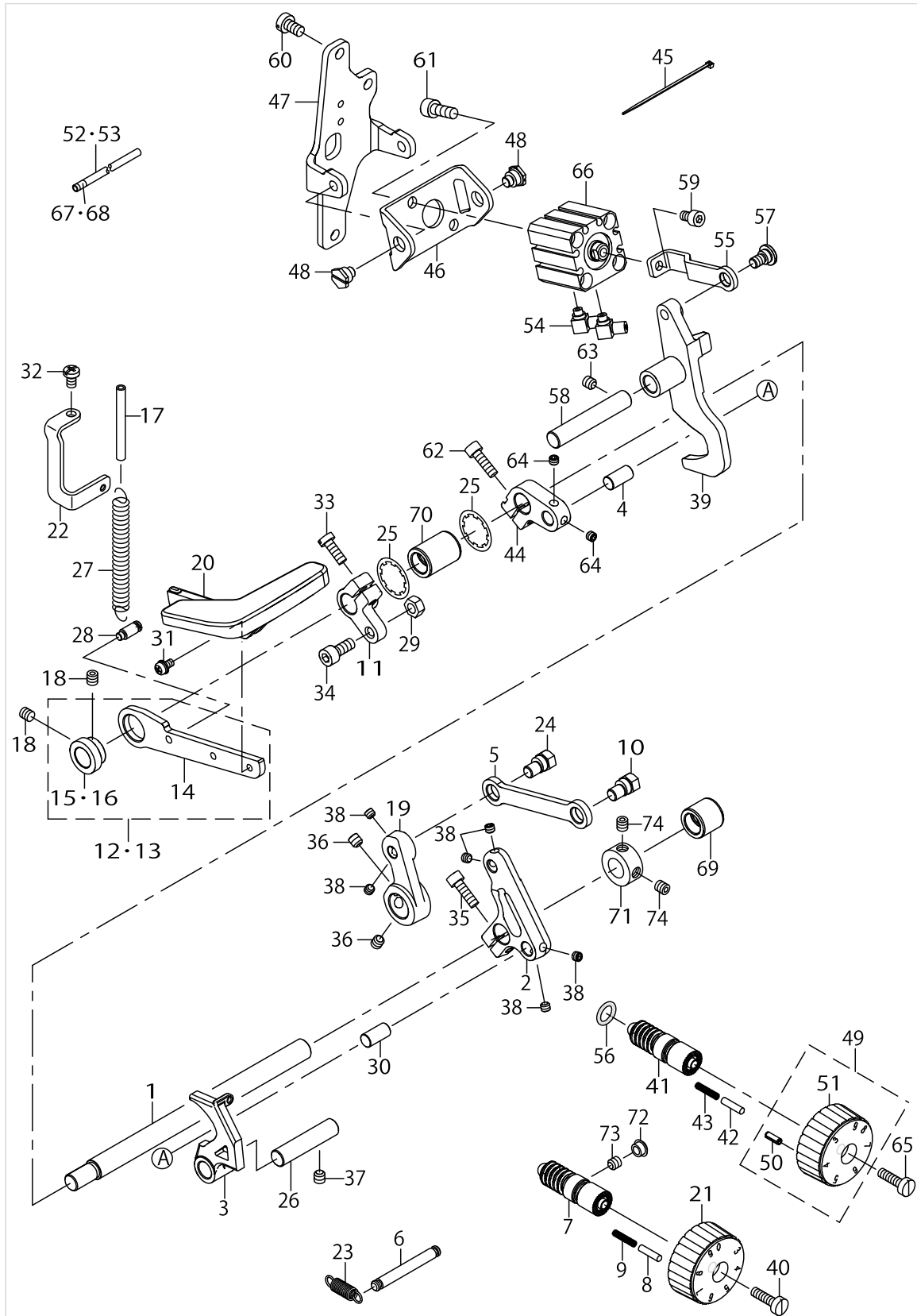
FEED ADJUST COMPONENTS (FOR LU-2810,2860,2810-7,2860-7)



FEED ADJUST COMPONENTS (FOR LU-2810,2860,2810-7,2860-7)

No.	Parts No.	Parts name	Remarks	Level	Cons	Qty
1	40126363	BACKWARD_FEED_LEVER_SHAFT				1
2	40125934	FEED_ADJUSTING_PIN_HOLDER_A				1
3	40125919	ADJUSTING_BASE_A				1
4	40131887	FEED_ADJUSTING_PIN	FOR LU-2810-7,2860-7			1
5	40126561	FEED_ADJUSTING_LINK				1
6	13518501	SPRING SUSPENSION				1
7	22911804	FEED REGULATOR SCREW			☆	1
8	40178899	FEED_REGULATOR_PIN				1
9	18053900	SPRIG				1
10	23613409	FEED ADJUSTING PIN				1
11	40112127	BACKWARD_FEED_CONNECTING_ARM	FOR LU-2810-7,2860-7			1
12	40112128	REVERSE_FEED_LEVER_PLATE_ASM.	FOR LU-2810-7,2860-7			1
13	40126362	REVERSE_FEED_LEVER_ASM.	FOR LU-2810,2860			1
14	40112281	REVERSE_FEED_REVER_PLATE		*		1
15	40112282	REVERSE_FEED_REVER_BUSH	FOR LU-2810-7,2860-7	*		1
16	40126555	REVERSE_FEED_LEVER_BUSH	FOR LU-2810,2860	*		1
17	23630007	TUBE	FOR LU-2810-7,2860-7			0.08
18	SM8060612TP	SCREW M6 L=6	FOR LU-2810,2860			2
19	40123628	FEED_ADJUSTING_ARM				1
20	40126116	REVERSE_FEED_LEVER_DRAFT				1
21	40167733	FEED_DIAL_ASM			☆	1
22	40125864	REVERSE_FEED_LEVER_SPRING_HOOK	FOR LU-2810-7,2860-7			1
23	40011327	PICKER_SPRING				1
24	23613409	FEED ADJUSTING PIN				1
25	WT1780011KP	TOOTHED WASHER 18				2
26	40033825	HEAD_FIXED_SHAFT				1
27	D2629M1YC0F	SPRING	FOR LU-2810-7,2860-7			1
28	26229302	SUSPENSION SCREW	FOR LU-2810-7,2860-7			1
29	NM6050001SD	NUT M5X0.8	FOR LU-2810-7,2860-7			1
30	40134959	FEED_ADJUSTING_PIN				1
31	SL4040881SC	SCREW M4 L=8				2
32	SM4050855SP	SCREW	FOR LU-2810-7,2860-7			1
33	SM6051400SP	SCREW	FOR LU-2810-7,2860-7			1
34	SM6051202TP	SCREW M5X0.8 L=12	FOR LU-2810-7,2860-7			1
35	SM6051602TP	SCREW M5X0.8 L=16				1
36	SM8060612TP	SCREW M6 L=6				2
37	SM8060612TP	SCREW M6 L=6				1
38	SM8050412TP	SCREW M5 L=4				6
39	40125920	ADJUSTING_BASE_B	FOR LU-2810-7,2860-7			1
40	SS6121860SP	SCREW 3/16-28 L=18				1
41	22911804	FEED REGULATOR SCREW	FOR LU-2810-7,2860-7		☆	1
42	22912000	FEED REGULATOR PIN	FOR LU-2810-7,2860-7			1
43	22912109	FEED REGULATOR PIN SPRING	FOR LU-2810-7,2860-7			1
44	40125858	FEED_ADJUSTING_PIN_HOLDER_B	FOR LU-2810-7,2860-7			1
45	EA9500B0100	CABLE BAND				1
46	40126642	CYLINDER_BASE_A	FOR LU-2810-7,2860-7			1
47	40126643	CYLINDER_BASE_B	FOR LU-2810-7,2860-7			1

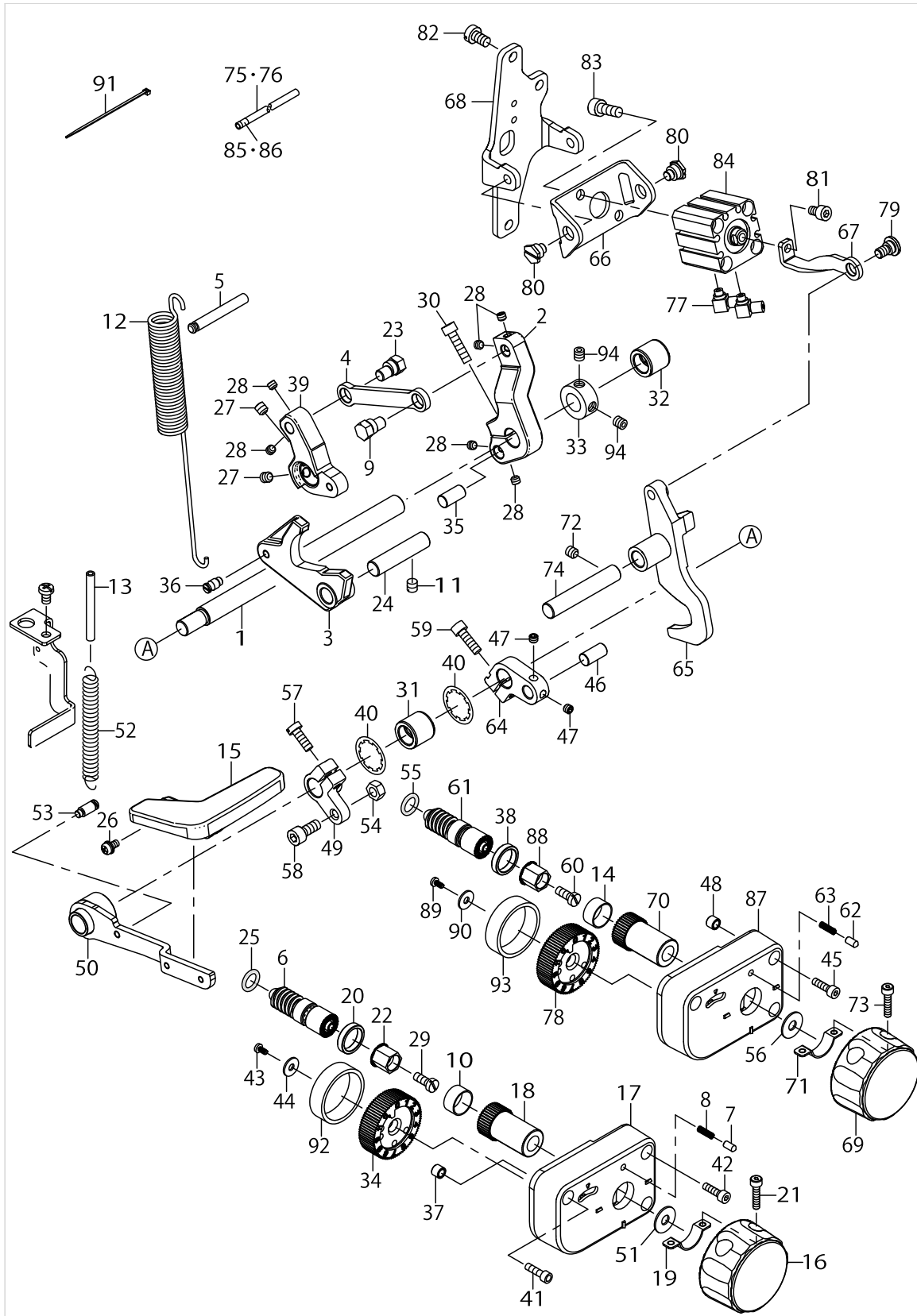
FEED ADJUST COMPONENTS (FOR LU-2810,2860,2810-7,2860-7)



FEED ADJUST COMPONENTS (FOR LU-2810,2860,2810-7,2860-7)

No.	Parts No.	Parts name	Remarks	Level	Cons	Qty
48	SD0900426TP	SHOULDER SCREW D=9 H=4.2	FOR LU-2810-7,2860-7			2
49	40142200	FEED_DIAL(A) ASM.	FOR LU-2810-7,2860-7			1
50	PS0350102KR	SPRING PIN 3.5X10	FOR LU-2810-7,2860-7	*		1
51	40142201	FEED_DIAL(A)		*	☆	1
52	BT0400251EB	URETHANE HOSE BLACK	FOR LU-2810-7,2860-7			0.36
53	BT0400251EB	URETHANE HOSE BLACK	FOR LU-2810-7,2860-7			0.36
54	PJ046052503	HOSE ELBOW	FOR LU-2810-7,2860-7			2
55	40112267	CYLINDER_JOINT	FOR LU-2810-7,2860-7			1
56	RO092270200	RUBBER RING	FOR LU-2810-7,2860-7		☆	1
57	SD0800346TP	SHOULDER SCREW	FOR LU-2810-7,2860-7			1
58	40077931	PRESSURE_LOWERING_SHAFT	FOR LU-2810-7,2860-7			1
59	SM6050802TP	SCREW M5X0.8 L=8	FOR LU-2810-7,2860-7			1
60	SM6061010TP	SCREW M6 L=10	FOR LU-2810-7,2860-7			3
61	SM6061602TP	SCREW M6 L=16	FOR LU-2810-7,2860-7			2
62	SM6051602TP	SCREW M5X0.8 L=16	FOR LU-2810-7,2860-7			1
63	SM8060612TP	SCREW M6 L=6	FOR LU-2810-7,2860-7			1
64	SM8050412TP	SCREW M5 L=4	FOR LU-2810-7,2860-7			2
65	SS6121860SP	SCREW 3/16-28 L=18	FOR LU-2810-7,2860-7			1
66	PA200150900	AIR CYLINDER	FOR LU-2810-7,2860-7			1
67	18035006	CABLE MARK NO.1	FOR LU-2810-7,2860-7			1
68	18035105	WIRE MARK (2)	FOR LU-2810-7,2860-7			1
69	40143624	BUSHING MAIN FEED				1
70	13424502	BUSHING FRONT				1
71	CS1201171TP	THRUST COLLAR D=12 W=11				1
72	TA0750404R0	PLUG D=7.5 L=3.5				1
73	SM8060612TP	SCREW M6 L=6				1
74	SM8060612TP	SCREW M6 L=6				2

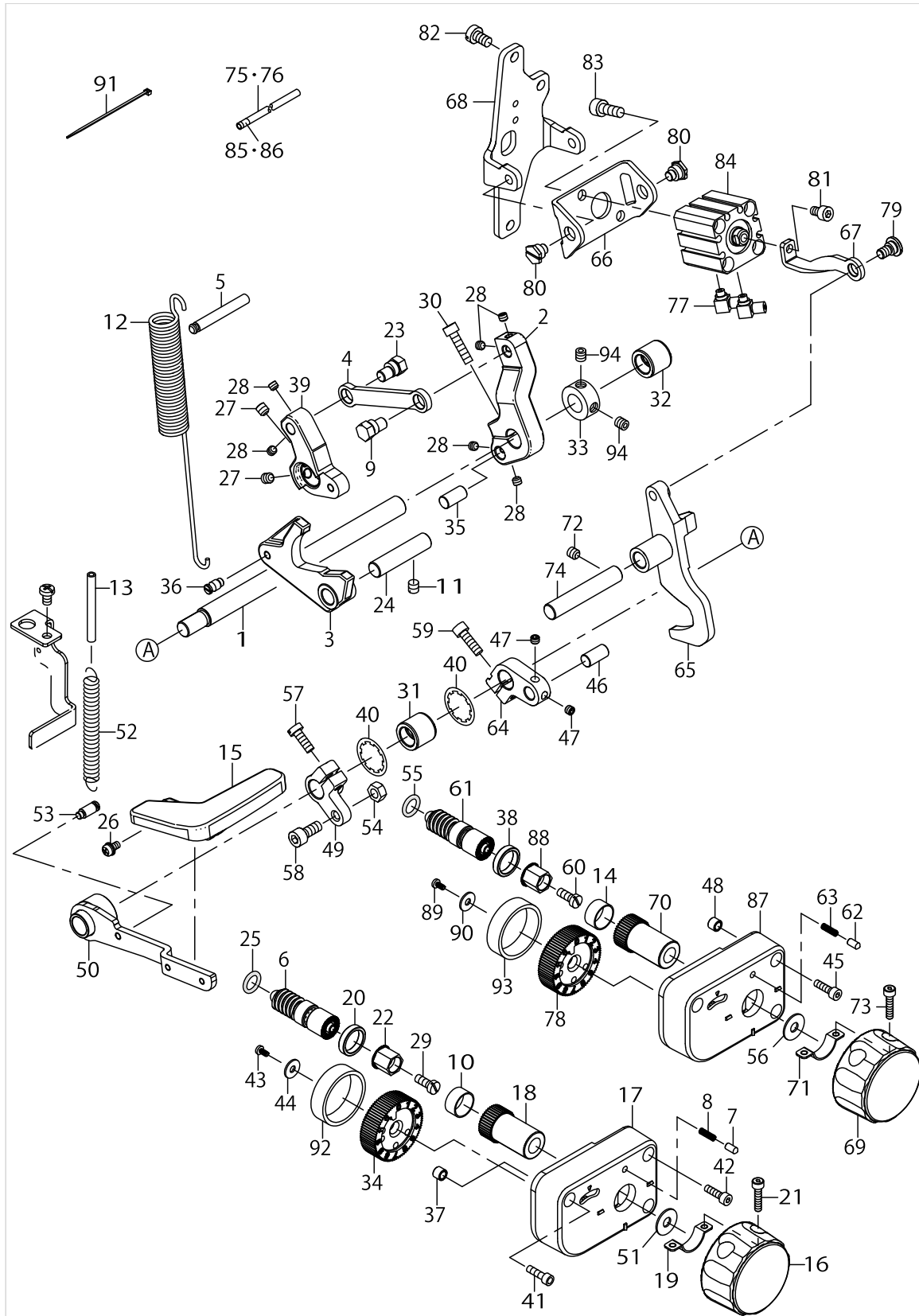
FEED ADJUST COMPONENTS (FOR LU-2818-7,2868-7)



FEED ADJUST COMPONENTS (FOR LU-2818-7,2868-7)

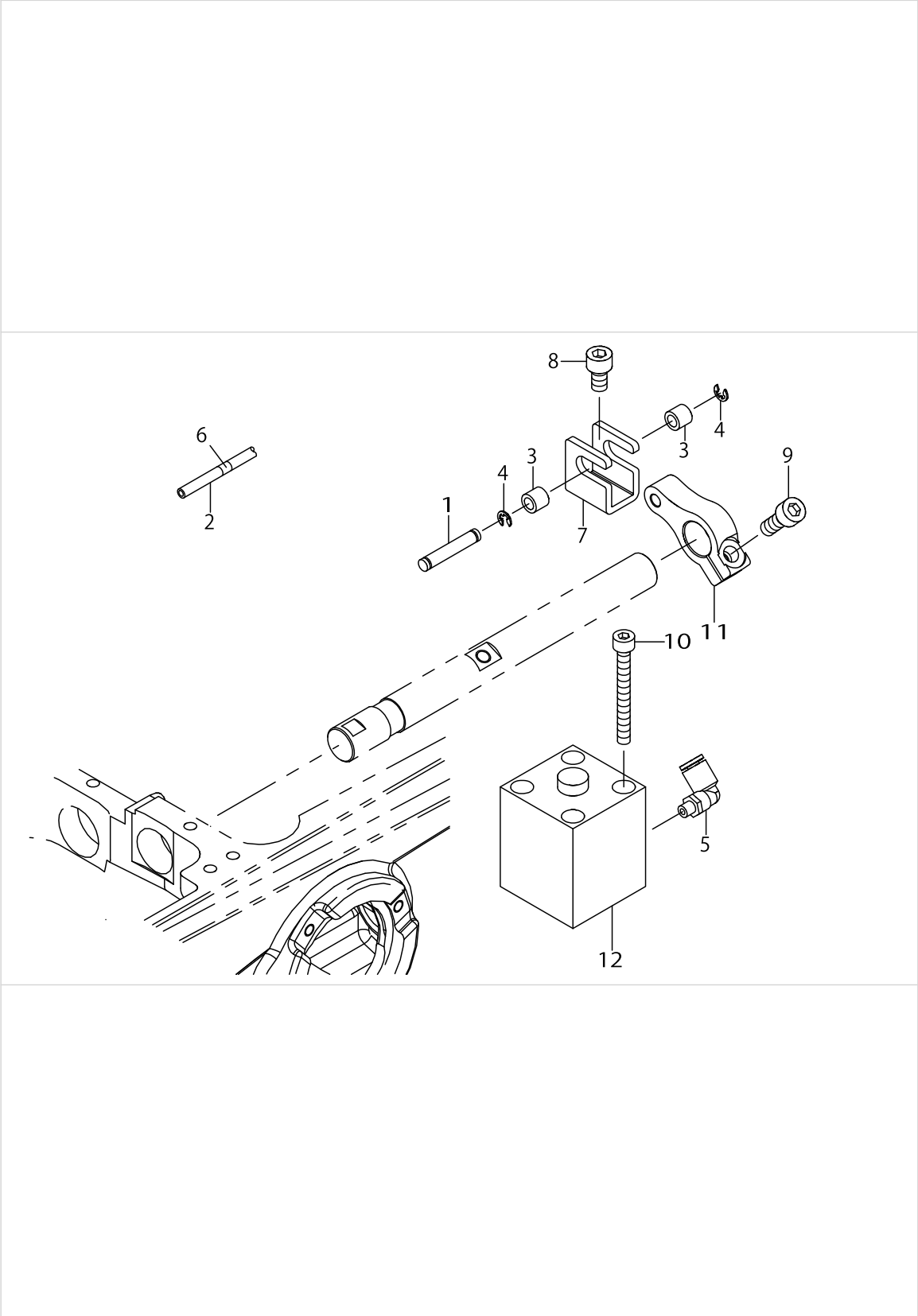
No.	Parts No.	Parts name	Remarks	Level	Cons	Qty
1	40126363	BACKWARD_FEED_LEVER_SHAFT				1
2	40129986	FEED_ADJUSTING_PIN_HOLDER_A				1
3	40129984	ADJUSTING_BASE_A				1
4	40129988	FEED_ADJUSTING_LINK				1
5	40134528	SPRING SUSPENSION				1
6	22911804	FEED REGULATOR SCREW			☆	1
7	10715704	VERTICAL DIAL PIN			☆	1
8	B152652700G	SPRING				1
9	23613409	FEED ADJUSTING PIN				1
10	40137613	DIAL PLATE BUSH				1
11	SM8060612TP	SCREW M6 L=6				1
12	40134105	FEED_ADJUSTING_BASE_SPRING				1
13	23630007	TUBE				0.08
14	40137613	DIAL PLATE BUSH				1
15	40126116	REVERSE_FEED_LEVER_DRAFT				1
16	40130004	FEED_DIAL_KNOB			☆	1
17	40130001	FEED_DIAL_COVER_A				1
18	40130003	FEED_DIAL_GEAR				1
19	40130005	FEED_DIAL_SUPPORT_PLATE				1
20	40133826	SPACER				1
21	SM6041802TP	SCREW M4 L=18				2
22	40130006	HEXA_SHAFT				1
23	23613409	FEED ADJUSTING PIN				1
24	40033825	HEAD_FIXED_SHAFT				1
25	RO092270200	O-RING			☆	1
26	SL4040881SC	SCREW M4 L=8				2
27	SM8060612TP	SCREW M6 L=6				2
28	SM8050412TP	SCREW M5 L=4				6
29	SS6121210SP	SCREW 3/16-28 L=12				1
30	SM6052002TP	SCREW M5X0.8 L=20				1
31	13424502	BUSHING FRONT				1
32	40143624	BUSHING MAIN FEED				1
33	CS1201171TP	THRUST COLLAR D=12 W=11				1
34	40132118	FEED_DIAL_PLATE_A				1
35	40134959	FEED ADJUSTING PIN A				1
36	40137780	SPRING RAC				1
37	B4122804000	ROLLER				1
38	40133826	SPACER				1
39	40130412	FEED_ADJUSTING_ARM_BT				1
40	WT1780011KP	TOOTHED WASHER 18				2
41	SM6041402TP	SCREW M4 L=14				1
42	SM6040802TP	SCREW M4X0.7 L=8				2
43	40130820	SCREW				1
44	WP0431005SP	PLAIN WASHER				1
45	SM6041402TP	SCREW M4 L=14				3
46	40131887	FEED_ADJUSTING_PIN				1
47	SM8050412TP	SCREW M5 L=4				2

FEED ADJUST COMPONENTS (FOR LU-2818-7,2868-7)



FEED ADJUST COMPONENTS (FOR LU-2818-7,2868-7)

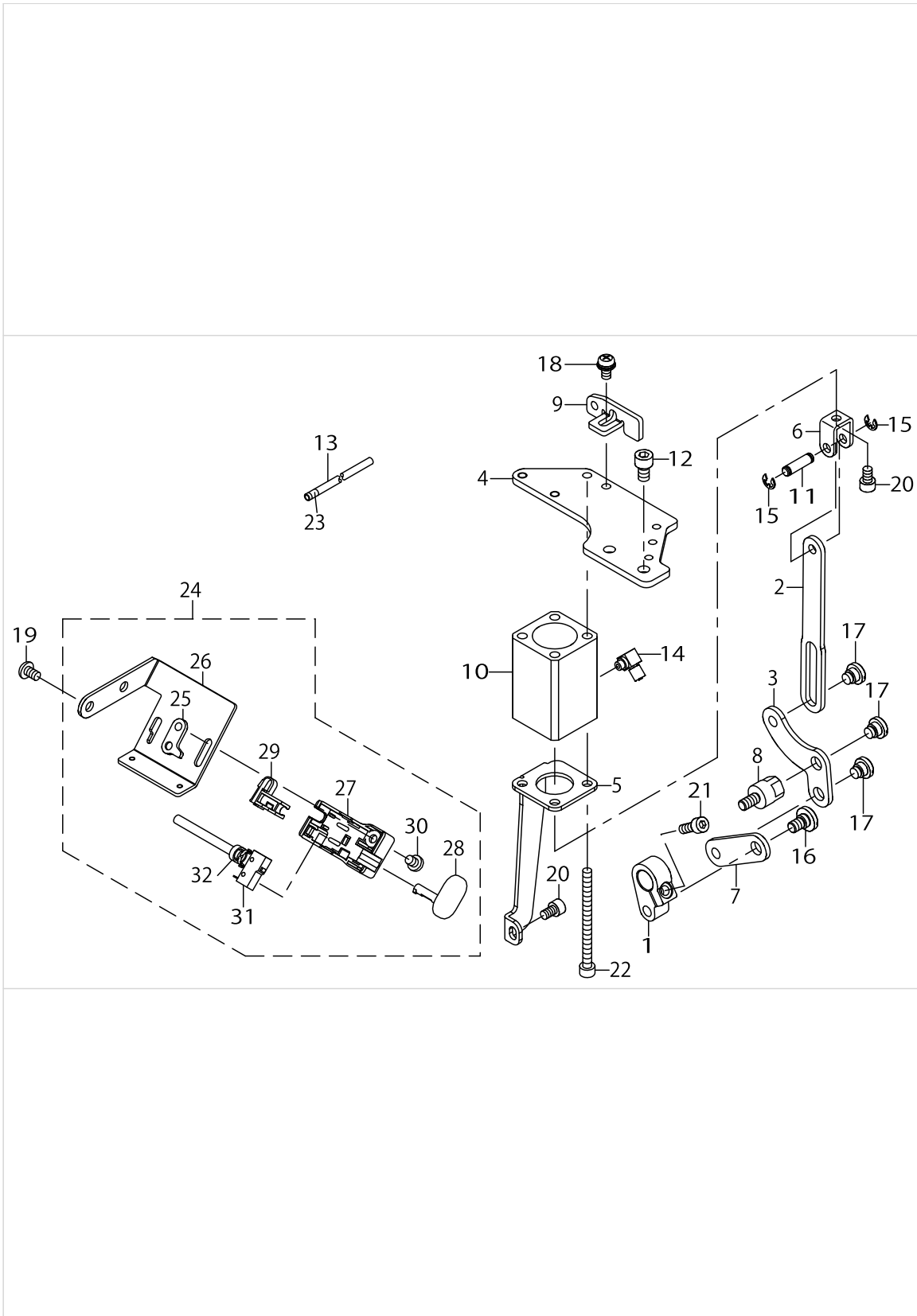
No.	Parts No.	Parts name	Remarks	Level	Cons	Qty
48	B4122804000	ROLLER				3
49	40112127	BACKWARD_FEED_CONNECTING_ARM				1
50	40129991	REVERSE_FEED_LEVER_ASM				1
51	WP0621036SP	WASHER				4
52	D2629M1YC0F	SPRING				1
53	26229302	SUSPENSION SCREW				1
54	NM6050001SD	NUT M5X0.8 TYPE1				1
55	RO092270200	O-RING			☆	1
56	WP0621036SP	WASHER				4
57	SM6051400SP	SCREW				1
58	SM6051202TP	SCREW M5X0.8 L=12				1
59	SM6051602TP	SCREW M5X0.8 L=16				1
60	SS6121210SP	SCREW 3/16-28 L=12				1
61	22911804	FEED REGULATOR SCREW			☆	1
62	10715704	VERTICAL DIAL PIN			☆	1
63	B152652700G	SPRING				1
64	40125858	FEED_ADJUSTING_PIN HOLDER_B				1
65	40129985	ADJUSTING_BASE_B				1
66	40126642	CYLINDER_BASE_A				1
67	40129999	CYLINDER_JOINT_B				1
68	40126643	CYLINDER_BASE_B				1
69	40130004	FEED_DIAL_KNOB			☆	1
70	40130003	FEED_DIAL_GEAR				1
71	40130005	FEED_DIAL_SUPPORT_PLATE				1
72	SM8060612TP	SCREW M6 L=6				1
73	SM6041802TP	SCREW M4 L=18				2
74	40077931	PRESSURE_LOWERING_SHAFT				1
75	BT0400251EB	URETHANE TUBE BLACK 4X2.5				0.36
76	BT0400251EB	URETHANE TUBE BLACK 4X2.5				0.36
77	PJ046052503	HOSE ELBOW				2
78	40132118	FEED_DIAL_PLATE_A				1
79	SD0800346TP	SHOULDER SCREW D=8 H=3.4				1
80	SD0900426TP	SHOULDER SCREW D=9 H=4.2				2
81	SM6050802TP	SCREW M5X0.8 L=8				1
82	SM6061010TP	SCREW M6 L=10				3
83	SM6061602TP	SCREW M6 L=16				2
84	PA200150900	AIR CYLINDER				1
85	18035006	CABLE MARK NO.1				1
86	18035105	WIRE MARK (2)				1
87	40130819	FEED_DIAL_COVER_B				1
88	40130006	HEXA_SHAFT				1
89	40130820	SCREW				2
90	WP0431005SP	PLAIN WASHER				2
91	EA9500B0100	CABLE BAND				2
92	40137612	DIAL PLATE BUSH				1
93	40137612	DIAL PLATE BUSH				1
94	SM8060612TP	SCREW M6 L=6				2



DL COMPONENTS (FOR LU-2810-7,2860-7,2818-7,2868-7)

No.	Parts No.	Parts name	Remarks	Level	Cons	Qty
1	B1504210000	CONNECTING SHAFT				1
2	BT0400251EB	URETHANE HOSE BLACK				0.58
3	B3031141H00	CONNECTING STUD				2
4	RE0320000K0	E-RING 3.2				2
5	PJ304040504	ELBOW UNION				1
6	18035501	WIRE MARK (6)				1
7	40112191	KNUCKLE_JOINT_B				1
8	SM6061002TP	SCREW M6 L=10				1
9	SM6061602TP	SCREW M6 L=16				1
10	SM6054502TP	SCREW M5X0.8 L=45				2
11	40112192	TERTICAL_CYLINDER_ARM				1
12	PA250250900	AIR CYLINDER				1

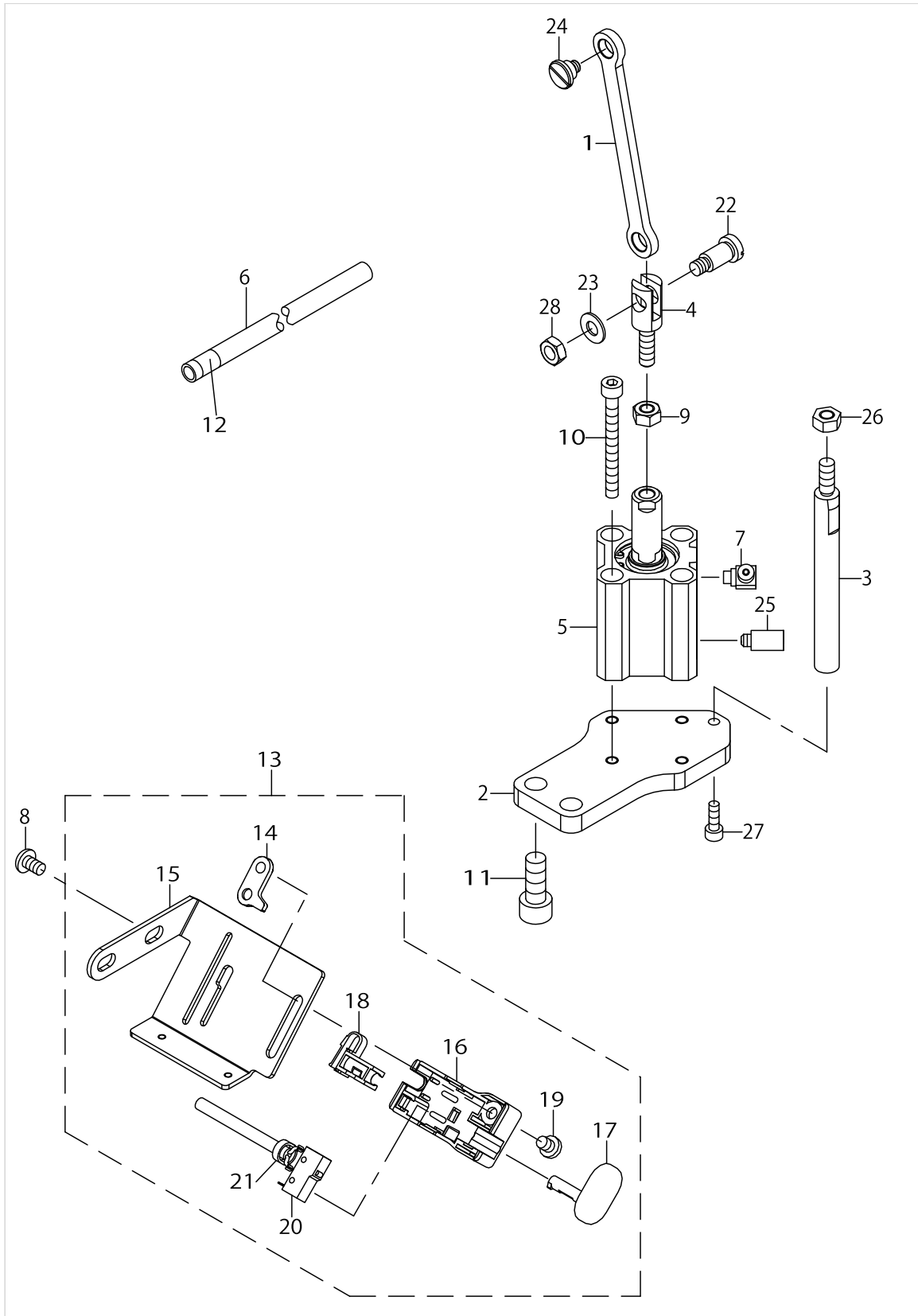
AUTO BT COMPONENTS (FOR LU-2810-7,2860-7)



AUTO BT COMPONENTS (FOR LU-2810-7,2860-7)

No.	Parts No.	Parts name	Remarks	Level	Cons	Qty
1	40112136	BT_ARM				1
2	40112137	LINK_A				1
3	40112138	LINK_B				1
4	40125872	CYLINDER_BRACKET				1
5	40112140	CYLINDER_STAY				1
6	40112149	CYLINDER_KNUCKLE				1
7	40112150	LINK_C				1
8	40171514	BT_LINK_STUD				1
9	40112228	MOTOR_COVER_FITTING_PLATE				1
10	40142208	AIR CYLINDER				1
11	D2464555B00	LINK DRIVING MAGNET PIN				1
12	SM6061002TP	SCREW M6 L=10				2
13	BT0400251EB	URETHANE HOSE BLACK				0.27
14	PJ046052503	HOSE ELBOW				1
15	RE0400000K0	E-RING 4				2
16	SD0800321TH	HINGE SCREW D=8 H=3.2				1
17	SD0800341SP	HINGE SCREW D=8 H=3.4				3
18	SL4051091SC	SCREW M5X0.8 L=10				1
19	SM4050855SP	SCREW				2
20	SM6050802TP	SCREW M5X0.8 L=8				2
21	SM6051402TP	SCREW M5X0.8 L=14				1
22	SM6056552TP	SCREW				3
23	18035709	WIRE MARK (8)				1
24	40112288	TB_SWITCH_ASSY				1
25	23632102	REVERSE FEED SWITCH BASE GUIDE		*		1
26	40112213	TB_SW_MOUNTING_PLATE		*		1
27	23631708	REVERSE FEED SWITCH COVER		*		1
28	23631807	REVERSE FEED SWITCH SHAFT		*		1
29	23631906	REVERSE FEED SWITCH SUPPORT		*		1
30	SS7110740TP	SCREW 11/64-40 L=7		*		1
31	40126129	REVERSE FEED CORD ASM.		*		1
32	EA9500B0100	CABLE BAND		*		1

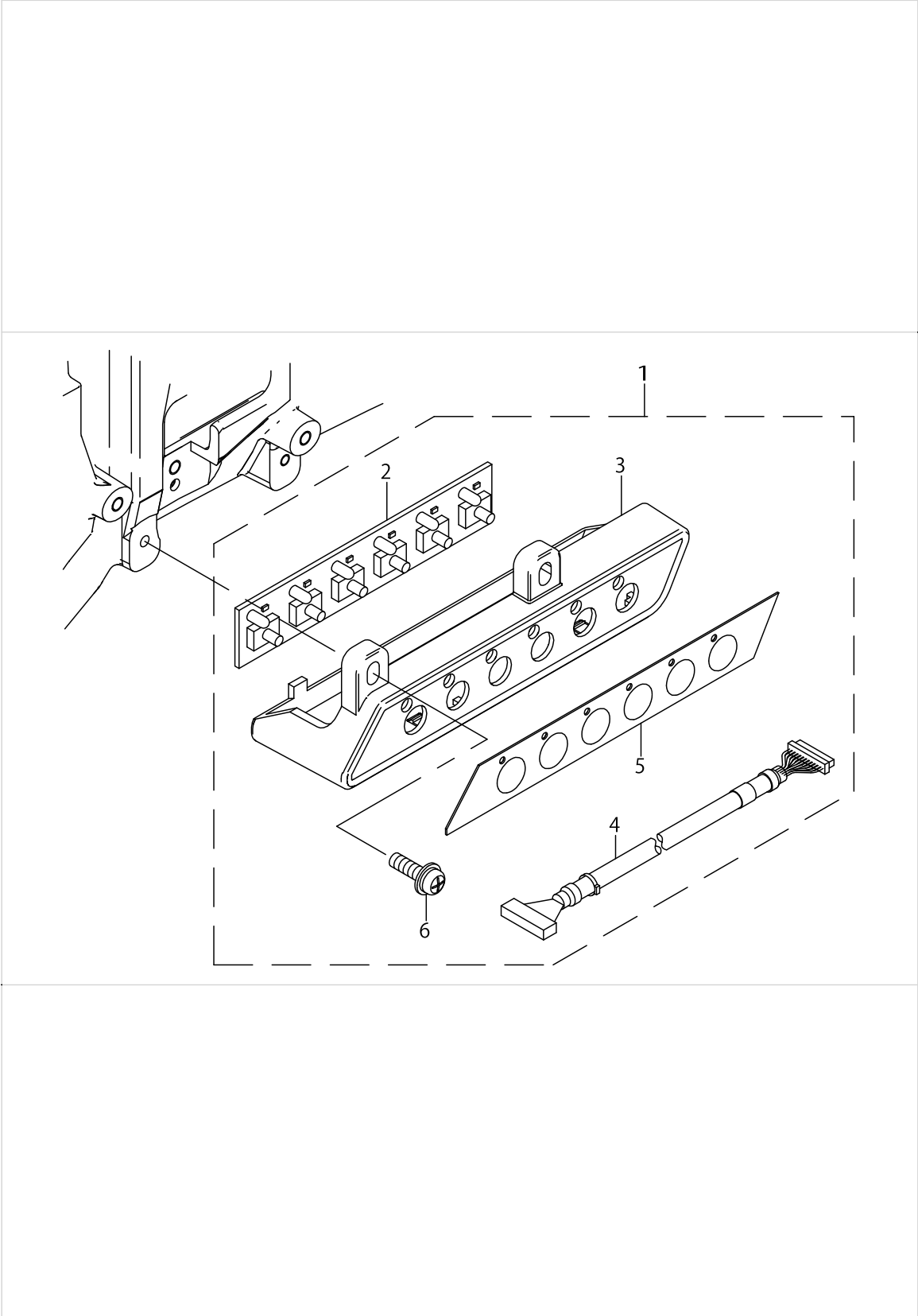
AUTO BT COMPONENTS (FOR LU-2818-7,2868-7)



AUTO BT COMPONENTS (FOR LU-2818-7,2868-7)

No.	Parts No.	Parts name	Remarks	Level	Cons	Qty
1	40147946	BT_LINK				1
2	40147947	BT_CYLINDER_PLATE				1
3	40147948	BT_PLATE_STUD				1
4	40052254	CYLINDER KNUCKLE JOINT				1
5	PA250250900	AIR CYLINDER				1
6	BT0400251EB	URETHANE TUBE BLACK 4X2.5				0.3
7	PJ046052503	HOSE ELBOW				1
8	SM4050855SP	SCREW				2
9	NM6060001CP	NUT M6X1 TYPE1				1
10	SM6055002TP	SCREW M5 L=50				4
11	SM6082002TP	SCREW M8 L=20				2
12	18035907	WIRE MARK (10)				1
13	40112288	TB_SWITCH_ASSY				1
14	23632102	REVERSE FEED SWITCH BASE GUIDE		*		1
15	40112213	TB_SW_MOUNTING_PLATE		*		1
16	23631708	REVERSE FEED SWITCH COVER		*		1
17	23631807	REVERSE FEED SWITCH SHAFT		*		1
18	23631906	REVERSE FEED SWITCH SUPPORT		*		1
19	SS7110740TP	SCREW 11/64-40 L=7		*		1
20	40126129	REVERSE FEED CORD ASM		*		1
21	EA9500B0100	CABLE BAND		*		1
22	SD0791271SP	HINGE SCREW D=7.94 H=12.7				1
23	WP0621016SD	WASHER 6.2X13X1				1
24	SD0800406TP	SHOULDER SCREW D=8 H=4				1
25	PX050501000	SILENCER				1
26	NM6060001SC	NUT M6				1
27	SM6041202TP	SCREW M4X0.7 L=12				1
28	NS6150430SP	NUT 15/64-28				1

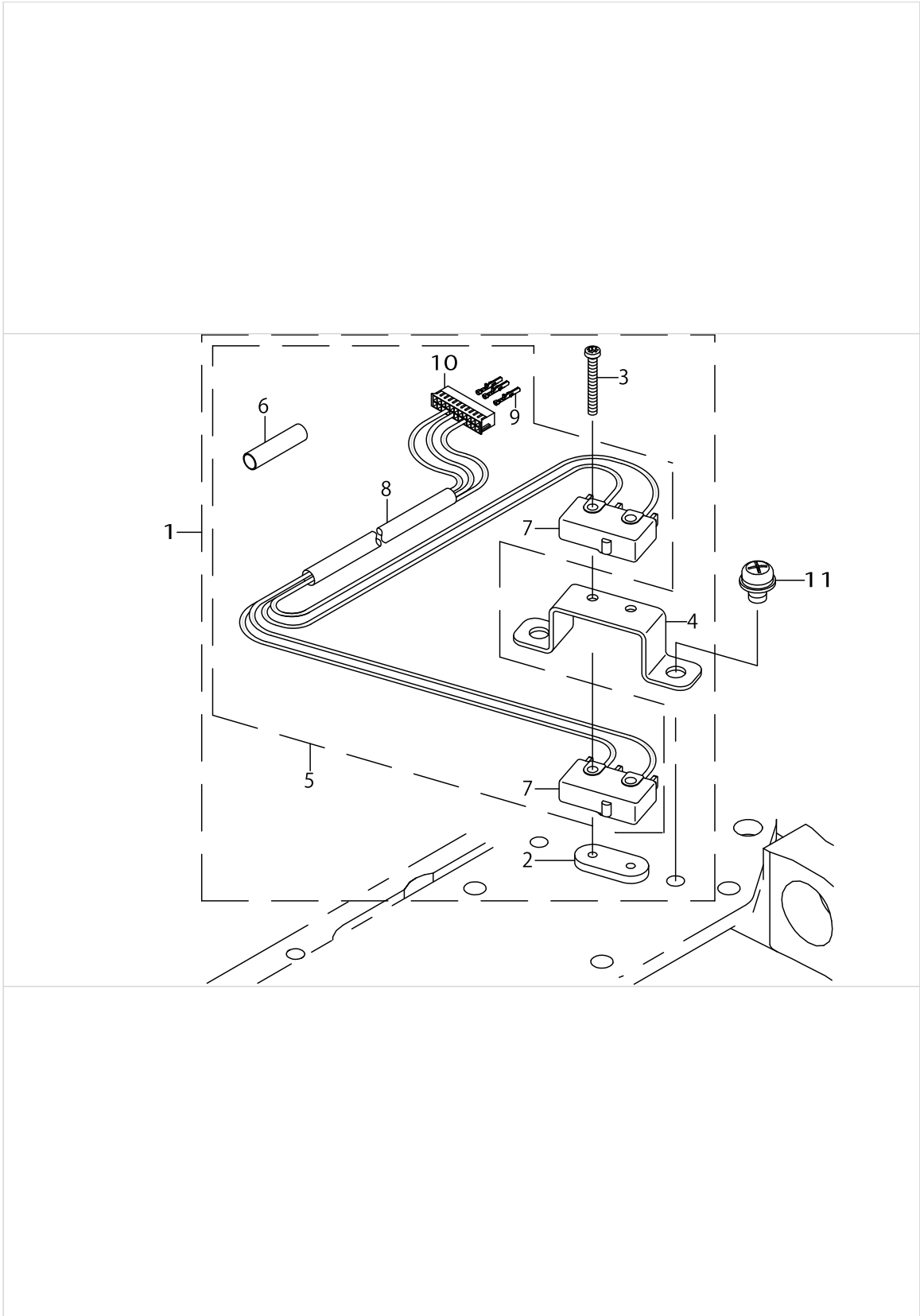
6-RANGE SW COMPONENTS (FOR LU-2810-7,2860-7,2818-7,2868-7)



6-RANGE SW COMPONENTS (FOR LU-2810-7,2860-7,2818-7,2868-7)

No.	Parts No.	Parts name	Remarks	Level	Cons	Qty
1	40105508	6RANGE SWITCH ASM.				1
2	40105510	6RANGE SWITCH PCB ASSY		*		1
3	40112215	6RANGE_SWITCH_COVER		*		1
4	40105509	6RANGE SWITCH CABLE ASM.		*		1
5	40112216	PANEL SHEET		*		1
6	SL4041491SC	SCREW 4X14		*		2

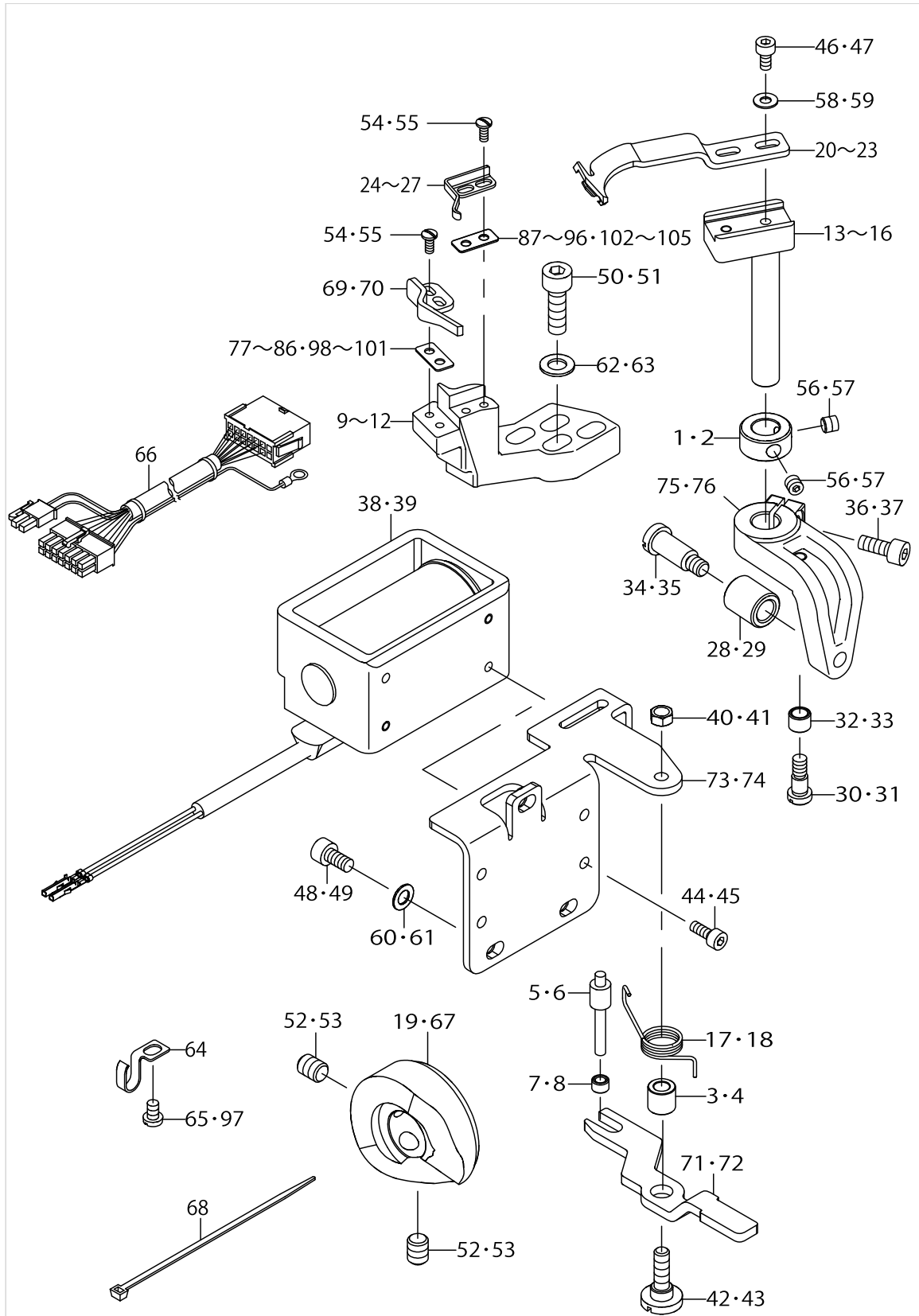
SPEED ADJUST COMPONENTS (FOR LU-2810-7,2860-7,2818-7,2868-7)



SPEED ADJUST COMPONENTS (FOR LU-2810-7,2860-7,2818-7,2868-7)

No.	Parts No.	Parts name	Remarks	Level	Cons	Qty
1	40126260	VERTICAL_DETECTOR_SWITCH_ASM.				1
2	23638406	SAFETY SWITCH NUT		*		1
3	SM4021601SN	SCREW M2 L=16		*		2
4	40126259	SENSOR_BRACKET		*		1
5	40126131	SPEED CONTROL CORD ASM.		*		1
6	E8760452D00	TUBE 0.015M		*		0.03
7	HA004680000	SWITCH		*		2
8	HW000840040	4-CORE CABTYRE CORD		*		1.37
9	HK075230000	TERMINAL		*		3
10	HK063610220	CONNECTOR		*		1
11	SL4040691SC	SCREW M4 L=6				2

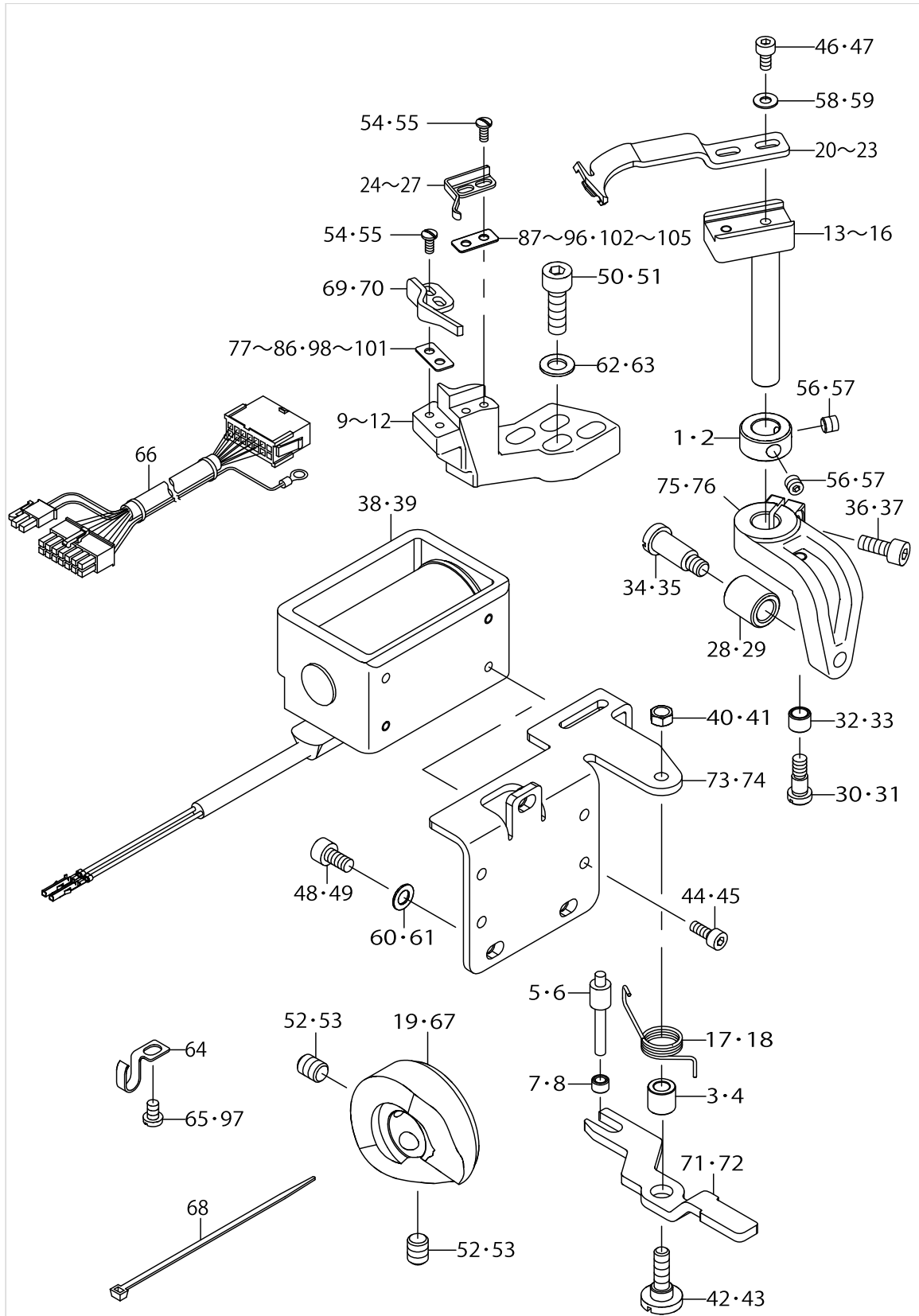
THREAD CUTTING COMPONENTS (FOR LU-2810-7,2860-7,2818-7,2868-7)



THREAD CUTTING COMPONENTS (FOR LU-2810-7,2860-7,2818-7,2868-7)

No.	Parts No.	Parts name	Remarks	Level	Cons	Qty
1	22917009	THRUST COLLAR	FOR LU-2810-7,2818-7			1
2	22917009	THRUST COLLAR	FOR LU-2860-7,2868-7			2
3	22956205	WIPER HINGE SCREW COLLAR	FOR LU-2810-7,2818-7			1
4	22956205	WIPER HINGE SCREW COLLAR	FOR LU-2860-7,2868-7			2
5	22957104	WIPER SOLENOID SHAFT	FOR LU-2810-7,2818-7			1
6	22957104	WIPER SOLENOID SHAFT	FOR LU-2860-7,2868-7			2
7	22957203	WIPER LINK COLLAR	FOR LU-2810-7,2818-7			1
8	22957203	WIPER LINK COLLAR	FOR LU-2860-7,2868-7			2
9	40125879	FIXED_KNIFE_BASE	FOR LU-2810-7			1
10	40125879	FIXED_KNIFE_BASE	FOR LU-2860-7			2
11	40147942	FIXED_KNIFE_BASE_XXL	FOR LU-2818-7			1
12	40147942	FIXED_KNIFE_BASE_XXL	FOR LU-2868-7			2
13	40112230	MOVING_KNIFE_SHAFT	FOR LU-2810-7			1
14	40112230	MOVING_KNIFE_SHAFT	FOR LU-2860-7			2
15	40147941	MOVING_KNIFE_SHAFT_XXL	FOR LU-2818-7			1
16	40147941	MOVING_KNIFE_SHAFT_XXL	FOR LU-2868-7			2
17	40112235	DRIVING_ARM_RETURN_SPRING	FOR LU-2810-7,2818-7			1
18	40112235	DRIVING_ARM_RETURN_SPRING	FOR LU-2860-7,2868-7			2
19	40136650	THREAD_TRIMMER_CAM_RIGHT				1
20	40132434	MOVING_KNIFE	FOR LU-2810-7		☆	1
21	40132434	MOVING KNIFE	FOR LU-2860-7		☆	2
22	40147940	MOVING_KNIFE_XXL	FOR LU-2818-7		☆	1
23	40147940	MOVING_KNIFE_XXL	FOR LU-2868-7		☆	2
24	21389408	CLAMP SPRING	FOR LU-2810-7		☆	1
25	21389408	CLAMP SPRING	FOR LU-2860-7		☆	2
26	40147943	CLAMP_SPRING_XXL	FOR LU-2818-7		☆	1
27	40147943	CLAMP_SPRING_XXL	FOR LU-2868-7		☆	2
28	40112232	THREAD_TRIMMER_CAM_ROLLER	FOR LU-2810-7,2818-7			1
29	40112232	THREAD_TRIMMER_CAM_ROLLER	FOR LU-2860-7,2868-7			2
30	SD0460576TP	SHOULDER SCREW D=4.6 H=5.7	FOR LU-2810-7,2818-7			1
31	SD0460576TP	SHOULDER SCREW D=4.6 H=5.7	FOR LU-2860-7,2868-7			2
32	B2508047000	BLOCK ROLLER	FOR LU-2810-7,2818-7			1
33	B2508047000	BLOCK ROLLER	FOR LU-2860-7,2868-7			2
34	SD0651301TH	HINGE SCREW D=6.5 H=13	FOR LU-2810-7,2818-7			1
35	SD0651301TH	HINGE SCREW D=6.5 H=13	FOR LU-2860-7,2868-7			2
36	SM6041002TP	SCREW M4 L=10	FOR LU-2810-7,2818-7			1
37	SM6041002TP	SCREW M4 L=10	FOR LU-2860-7,2868-7			2
38	40137921	THREAD_TRIMMER_SOLENOID	FOR LU-2810-7,2818-7			1
39	40137921	THREAD_TRIMMER_SOLENOID	FOR LU-2860-7,2868-7			2
40	NS6110310SP	NUT 11/64-40	FOR LU-2810-7,2818-7			1
41	NS6110310SP	NUT 11/64-40	FOR LU-2860-7,2868-7			2
42	SD0650321TP	HINGE SCREW D=6.5 H=3.2	FOR LU-2810-7,2818-7			1
43	SD0650321TP	HINGE SCREW D=6.5 H=3.2	FOR LU-2860-7,2868-7			2
44	SM6030602TP	SCREW M3X0.5 L=6	FOR LU-2810-7,2818-7			4
45	SM6030602TP	SCREW M3X0.5 L=6	FOR LU-2860-7,2868-7			8
46	SM6030602TP	SCREW M3X0.5 L=6	FOR LU-2810-7,2818-7			2
47	SM6030602TP	SCREW M3X0.5 L=6	FOR LU-2860-7,2868-7			4

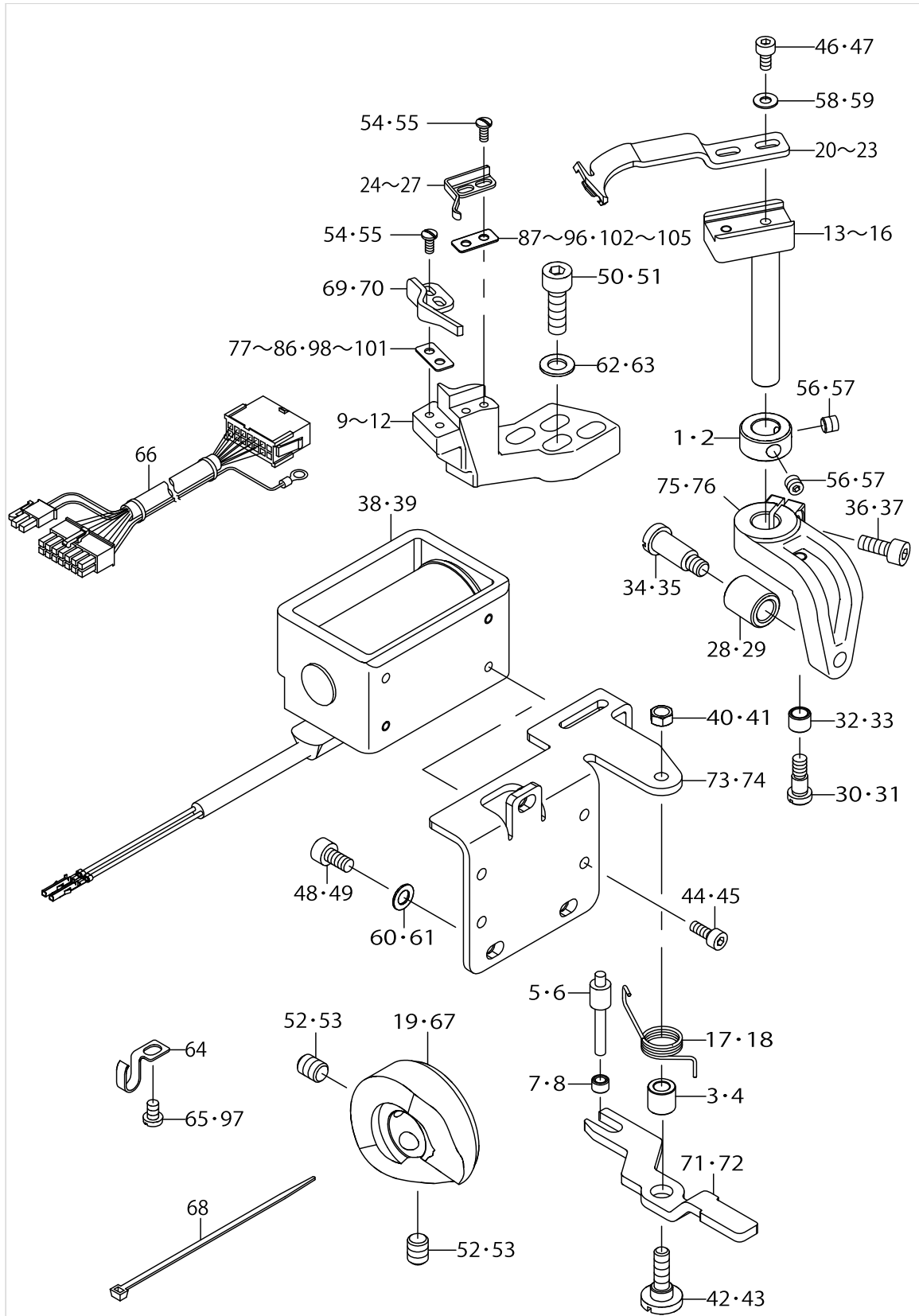
THREAD CUTTING COMPONENTS (FOR LU-2810-7,2860-7,2818-7,2868-7)



THREAD CUTTING COMPONENTS (FOR LU-2810-7,2860-7,2818-7,2868-7)

No.	Parts No.	Parts name	Remarks	Level	Cons	Qty
48	SM6040802TP	SCREW M4X0.7 L=8	FOR LU-2810-7,2818-7			3
49	SM6040802TP	SCREW M4X0.7 L=8	FOR LU-2860-7,2868-7			6
50	SM6051602TP	SCREW M5X0.8 L=16	FOR LU-2810-7,2818-7			2
51	SM6051602TP	SCREW M5X0.8 L=16	FOR LU-2860-7,2868-7			4
52	SM8060812TP	SCREW M6 L=8	FOR LU-2810-7,2818-7			2
53	SM8060812TP	SCREW M6 L=8	FOR LU-2860-7,2868-7			4
54	SS7060610SP	SCREW 3/32-56 L=5.5	FOR LU-2810-7,2818-7		☆	4
55	SS7060610SP	SCREW 3/32-56 L=5.5	FOR LU-2860-7,2868-7		☆	8
56	SS8110422TP	SCREW 11/64-40 L=4	FOR LU-2810-7,2818-7			2
57	SS8110422TP	SCREW 11/64-40 L=4	FOR LU-2860-7,2868-7			4
58	WP0320501SC	WASHER M3	FOR LU-2810-7,2818-7			2
59	WP0320501SC	WASHER M3	FOR LU-2860-7,2868-7			4
60	WP0450000SD	WASHER 4.5X8X0.5	FOR LU-2810-7,2818-7			3
61	WP0450000SD	WASHER 4.5X8X0.5	FOR LU-2860-7,2868-7			6
62	WP0550800SP	WASHER 5.5X10X0.8	FOR LU-2810-7,2818-7			2
63	WP0550800SP	WASHER 5.5X10X0.8	FOR LU-2860-7,2868-7			4
64	26231902	OIL WICK PIPE STOPPER				1
65	SM4040655SP	SCREW M4 L=6	FOR LU-2810-7,2860-7			1
66	40126130	SOLENOID RELAY CABLE ASM.				1
67	40126546	THREAD_TRIMMER_CAM_LEFT	FOR LU-2860-7,2868-7			1
68	EA9500B0100	CABLE BAND				1
69	21389309	FIXED KNIFE	FOR LU-2810-7,2818-7		☆	1
70	21389309	FIXED KNIFE	FOR LU-2860-7,2868-7		☆	2
71	40112234	KNIFE_DRIVING_ARM_LINK	FOR LU-2810-7,2818-7			1
72	40112234	KNIFE_DRIVING_ARM_LINK	FOR LU-2860-7,2868-7			2
73	40112233	THREAD_TRIMMER_SOL_BASE_PLATE	FOR LU-2810-7,2818-7			1
74	40112233	THREAD_TRIMMER_SOL_BASE_PLATE	FOR LU-2860-7,2868-7			2
75	40123248	MOVING_KNIFE_DRIVING_ARM	FOR LU-2810-7,2818-7			1
76	40123248	MOVING_KNIFE_DRIVING_ARM	FOR LU-2860-7,2868-7			2
77	40155295	F_KNIFE_SPACER_T=0.2	FOR LU-2818-7			1
78	40155296	F_KNIFE_SPACER_T=0.4	FOR LU-2818-7			1
79	40155297	F_KNIFE_SPACER_T=0.6	FOR LU-2818-7			1
80	40155298	F_KNIFE_SPACER_T=0.8	FOR LU-2818-7			1
81	40155299	F_KNIFE_SPACER_T=1.0	FOR LU-2818-7			1
82	40155295	F_KNIFE_SPACER_T=0.2	FOR LU-2868-7			2
83	40155296	F_KNIFE_SPACER_T=0.4	FOR LU-2868-7			2
84	40155297	F_KNIFE_SPACER_T=0.6	FOR LU-2868-7			2
85	40155298	F_KNIFE_SPACER_T=0.8	FOR LU-2868-7			2
86	40155299	F_KNIFE_SPACER_T=1.0	FOR LU-2868-7			2
87	40155301	CLAMP_SPRING_SPACER_T=0.2	FOR LU-2818-7			1
88	40155302	CLAMP_SPRING_SPACER_T=0.4	FOR LU-2818-7			1
89	40155303	CLAMP_SPRING_SPACER_T=0.6	FOR LU-2818-7			1
90	40155304	CLAMP_SPRING_SPACER_T=0.8	FOR LU-2818-7			1
91	40155305	CLAMP_SPRING_SPACER_T=1.0	FOR LU-2818-7			1
92	40155301	CLAMP_SPRING_SPACER_T=0.2	FOR LU-2868-7			2
93	40155302	CLAMP_SPRING_SPACER_T=0.4	FOR LU-2868-7			2
94	40155303	CLAMP_SPRING_SPACER_T=0.6	FOR LU-2868-7			2

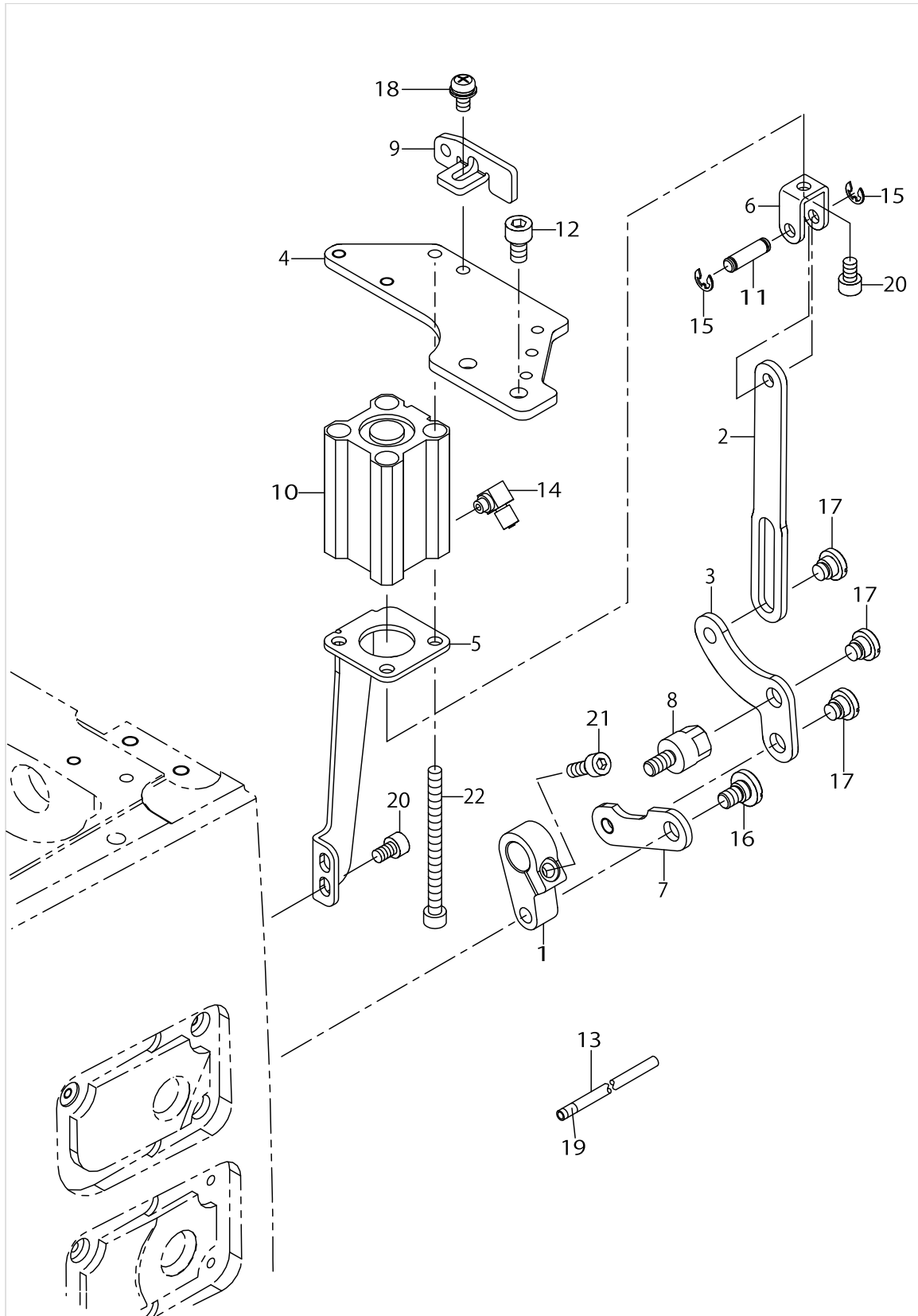
THREAD CUTTING COMPONENTS (FOR LU-2810-7,2860-7,2818-7,2868-7)



THREAD CUTTING COMPONENTS (FOR LU-2810-7,2860-7,2818-7,2868-7)

No.	Parts No.	Parts name	Remarks	Level	Cons	Qty
95	40155304	CLAMP_SPRING_SPACER_T=0.8	FOR LU-2868-7			2
96	40155305	CLAMP_SPRING_SPACER_T=1.0	FOR LU-2868-7			2
97	SM4040855SP	SCREW	FOR LU-2818-7,2868-7			1
98	40157628	F_KNIFE_SPACER	FOR LU-2818-7			1
99	40157629	F_KNIFE_SPACER	FOR LU-2818-7			1
100	40157628	F_KNIFE_SPACER	FOR LU-2868-7			2
101	40157629	F_KNIFE_SPACER	FOR LU-2868-7			2
102	40157625	CLAMP_SPRING_SPACER	FOR LU-2818-7			1
103	40157626	CLAMP_SPRING_SPACER	FOR LU-2818-7			1
104	40157625	CLAMP_SPRING_SPACER	FOR LU-2868-7			2
105	40157626	CLAMP_SPRING_SPACER	FOR LU-2868-7			2

CONDENSE COMPONENTS (FOR LU-2818-7,2868-7)



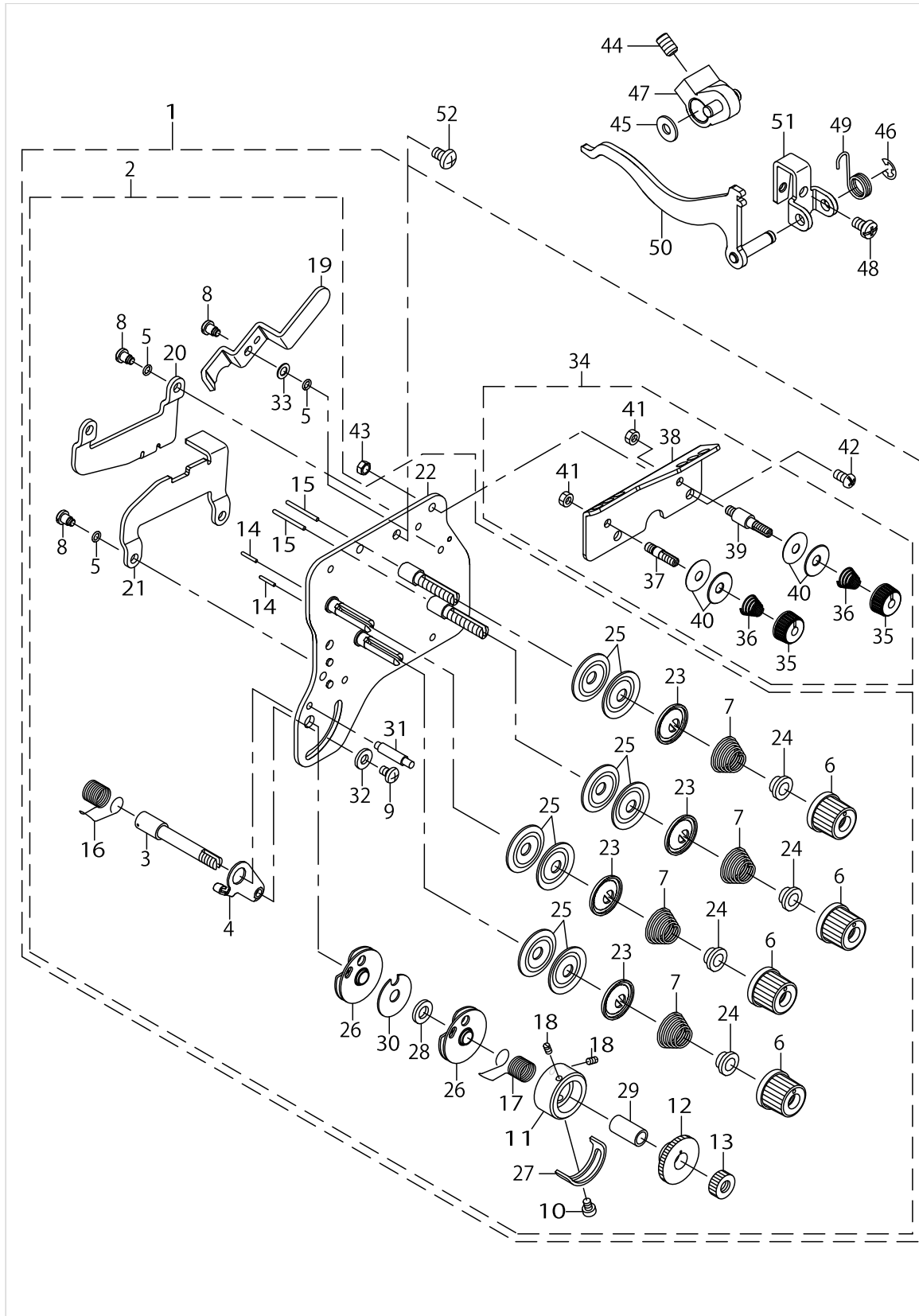
CONDENSE COMPONENTS (FOR LU-2818-7,2868-7)

No.	Parts No.	Parts name	Remarks	Level	Cons	Qty
1	40133612	CONDENSE ARM				1
2	40112137	LINK_A				1
3	40112138	LINK_B				1
4	40125872	CYLINDER_BRACKET				1
5	40112140	CYLINDER_STAY				1
6	40112149	CYLINDER_KNUCKLE				1
7	40133655	LINK D				1
8	40171514	BT_LINK_STUD				1
9	40112228	MOTOR_COVER_FITTING_PLATE				1
10	40142208	AIR CYLINDER				1
11	D2464555B00	LINK DRIVING MAGNET PIN				1
12	SM6061002TP	SCREW M6 L=10				2
13	BT0400251EB	URETHANE HOSE BLACK				0.27
14	PJ046052503	HOSE ELBOW				1
15	RE0400000K0	E-RING 4				2
16	SD0800321TH	HINGE SCREW D=8 H=3.2				1
17	SD0800341SP	HINGE SCREW D=8 H=3.4				3
18	SL4051091SC	SCREW M5X0.8 L=10				1
19	18035709	WIRE MARK (8)				1
20	SM6050802TP	SCREW M5X0.8 L=8				3
21	SM6051402TP	SCREW M5X0.8 L=14				1
22	SM6056552TP	SCREW				3

THREAD TENSION COMPONENTS (FOR LU-2810,2810-7,2818-7)

No.	Parts No.	Parts name	Remarks	Level	Cons	Qty
1	22912257	FEED REVERSE ARM ASM.				1
2	22954309	REVERSE FEED SWITCH SPRING				1
3	40126265	DISK_RELEASE_LINK_ASM.				1
4	40125873	DISK_RELEASE_LINK_BASE				1
5	40155956	THREAD_TENSION_ASSY_2810				1
6	40161459	THREAD_TENSION_PLATE_ASM_2810		*		1
7	22618201	TENSION RELEASE PIN A		*		2
8	B3112704000	TENSION SPRING BUSHING		*		2
9	40112204	TENSION_RELEASE_LEVER		*		1
10	40112218	DISK_RELEASE_PLATE_A		*		1
11	40112219	DISK_RELEASE_PLATE_B		*		1
12	40126404	ASSY_TENSION_BASE_PLATE_2810		*		1
13	40126724	TENSION_DISC HOLDER		*		2
14	10697506	THREAD TENSION BRACKET A		*		1
15	B31375270A0	TAKE-UP SPRING GUIDE ASM.		*		1
16	22617807	NUT		*		1
17	12938304	TENSION SPRING		*	☆	2
18	13817408	THREAD TENSION NUT		*	☆	2
19	SS3090710TP	SCREW 9/64-40 L=7		*		1
20	SS4110615SP	SCREW 11/64-40 L=6		*		1
21	WP0501016SD	WASHER 5X10.5X1		*		1
22	22921506	THREAD TENSION DISK		*		4
23	WP0460556SD	WASHER 4.6X7.5X0.5		*		1
24	22618706	THREAD TAKE-UP SPRING A		*	☆	1
25	10320109	SCREW STUD		*		1
26	RO037180100	RUBBER RING		*		5
27	SD0450401SP	HINGE SCREW D=4.5 H=4		*		5
28	40155958	THREAD_GUIDE_PLATE_ASM_2810		*		1
29	40155994	TEREAD_TENSION_POST_A		*		1
30	22945703	THREAD TENSION NUT		*		1
31	22963409	THREAD TENSION SPRING		*	☆	1
32	40155960	THREAD_GUIDE_PLATE		*		1
33	22945802	THREAD TENSION DISK		*		1
34	NS6110310SP	NUT 11/64-40		*		1
35	SS4110815SP	SCREW 11/64-40 L=8		*		2
36	NS6110310SP	HEXAGONAL NUT 11/64-40		*		2
37	SM4050855SP	SCREW				1
38	SM4051001SN	SCREW M5				3
39	SS8661012TP	SCREW				1
40	22528509	FELT				1
41	RE0500000K0	E-RING				1

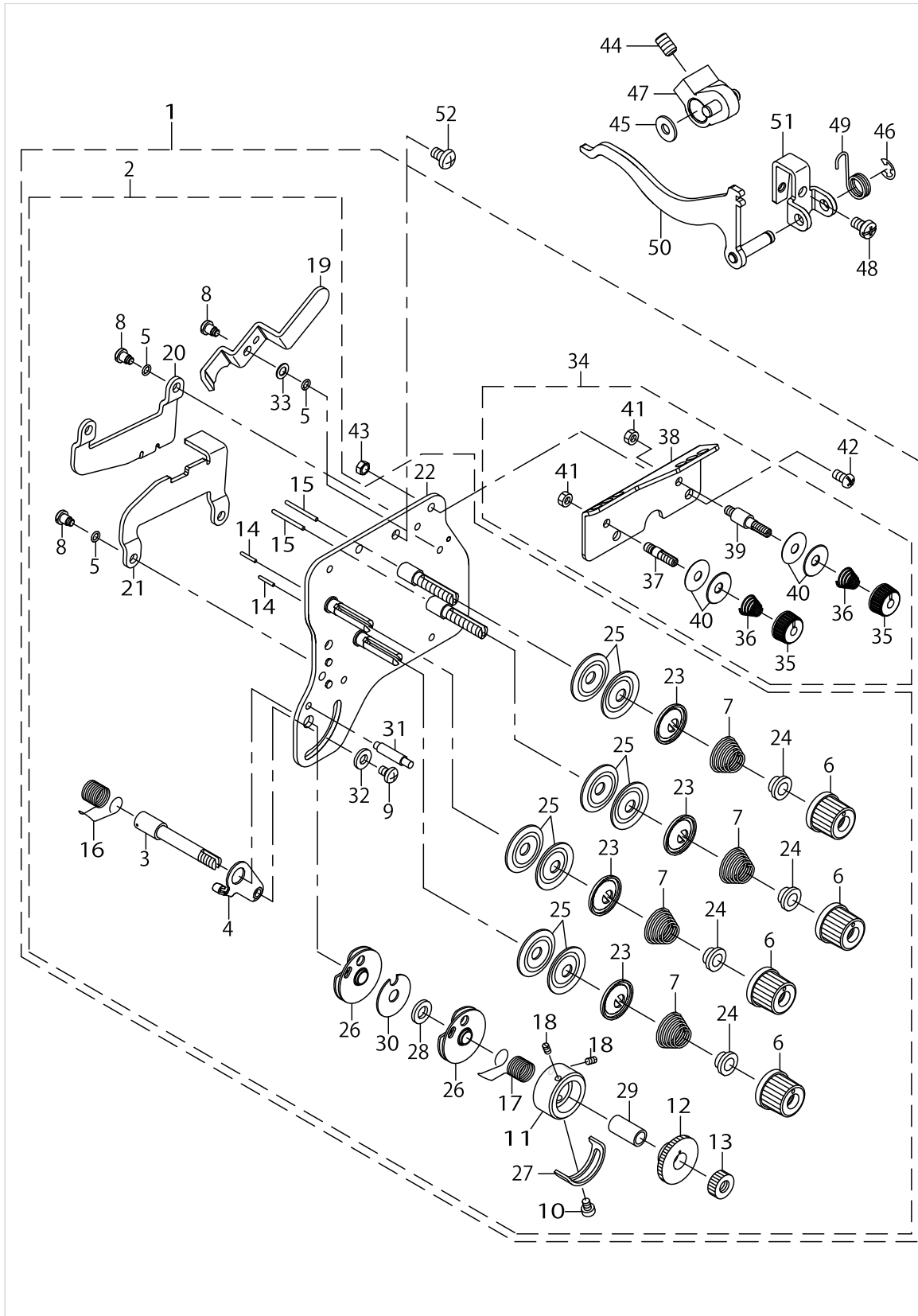
THREAD TENSION COMPONENTS (FOR LU-2860,2860-7,2868-7)



THREAD TENSION COMPONENTS (FOR LU-2860,2860-7,2868-7)

No.	Parts No.	Parts name	Remarks	Level	Cons	Qty
1	40155957	THREAD_TENSION_ASSY_2860				1
2	40161460	THREAD_TENSION_PLATE_ASM_2860		*		1
3	10697605	THREAD TAKE-UP SPRING STUD		*		1
4	10697506	THREAD TENSION BRACKET A		*		1
5	RO037180100	RUBBER RING		*		5
6	13817408	THREAD TENSION NUT		*	☆	4
7	12938304	TENSION SPRING		*	☆	4
8	SD0450401SP	HINGE SCREW D=4.5 H=4		*		5
9	SS4110615SP	SCREW 11/64-40 L=6		*		1
10	SS7090510SP	SCREW 9/64-40 L=4.6		*		1
11	22617609	THREAD TENSION POST		*		1
12	22617708	TAKE-UP SPRING GUIDE		*		1
13	22617807	NUT		*		1
14	22618201	TENSION RELEASE PIN A		*		2
15	22618300	TENSION RELEASE PIN B		*		2
16	22618706	THREAD TAKE-UP SPRING A		*	☆	1
17	22618805	THREAD TAKE-UP SPRING B		*	☆	1
18	22618904	SET SCREW		*		2
19	40112204	TENSION_RELEASE_LEVER		*		1
20	40112218	DISK_RELEASE_PLATE_A		*		1
21	40112219	DISK_RELEASE_PLATE_B		*		1
22	40126557	ASSY_TENSION_BASE_PLATE_2860		*		1
23	40126724	TENSION_DISC_HOLDER		*		4
24	B3112704000	TENSION SPRING BUSHING		*		4
25	22921506	THREAD TENSION DISK		*		8
26	B31375270A0	TAKE-UP SPRING GUIDE ASM.		*		2
27	B3138527000	ADJUSTING PLATE B		*		1
28	B3139527000	COLLAR		*		1
29	B3141527000	PRESSER COLLAR		*		1
30	B3142527000	TAKE-UP SPRING GUIDE PLATE		*		1
31	B3143527000	TAKE-UP SPRING GUIDE STUD		*		1
32	WP0501016SD	WASHER 5X10.5X1		*		1
33	WP0460556SD	WASHER 4.6X7.5X0.5		*		1
34	40155959	THREAD_GUIDE_PLATE_ASM_2860		*		1
35	22945703	THREAD TENSION NUT		*		2
36	22963409	THREAD TENSION SPRING		*	☆	2
37	40155994	TEREAD_TENSION_POST_A		*		1
38	40155960	THREAD_GUIDE_PLATE		*		1
39	40155995	TEREAD_TENSION_POST_B		*		1
40	22945802	THREAD TENSION DISK		*		4
41	NS6110310SP	NUT 11/64-40		*		2
42	SS4110815SP	SCREW 11/64-40 L=8		*		2
43	NS6110310SP	HEXAGONAL NUT 11/64-40		*		2
44	SS8661012TP	SCREW				1
45	22528509	FELT				1
46	RE0500000K0	E-RING				1
47	22912257	FEED REVERSE ARM ASM.				1

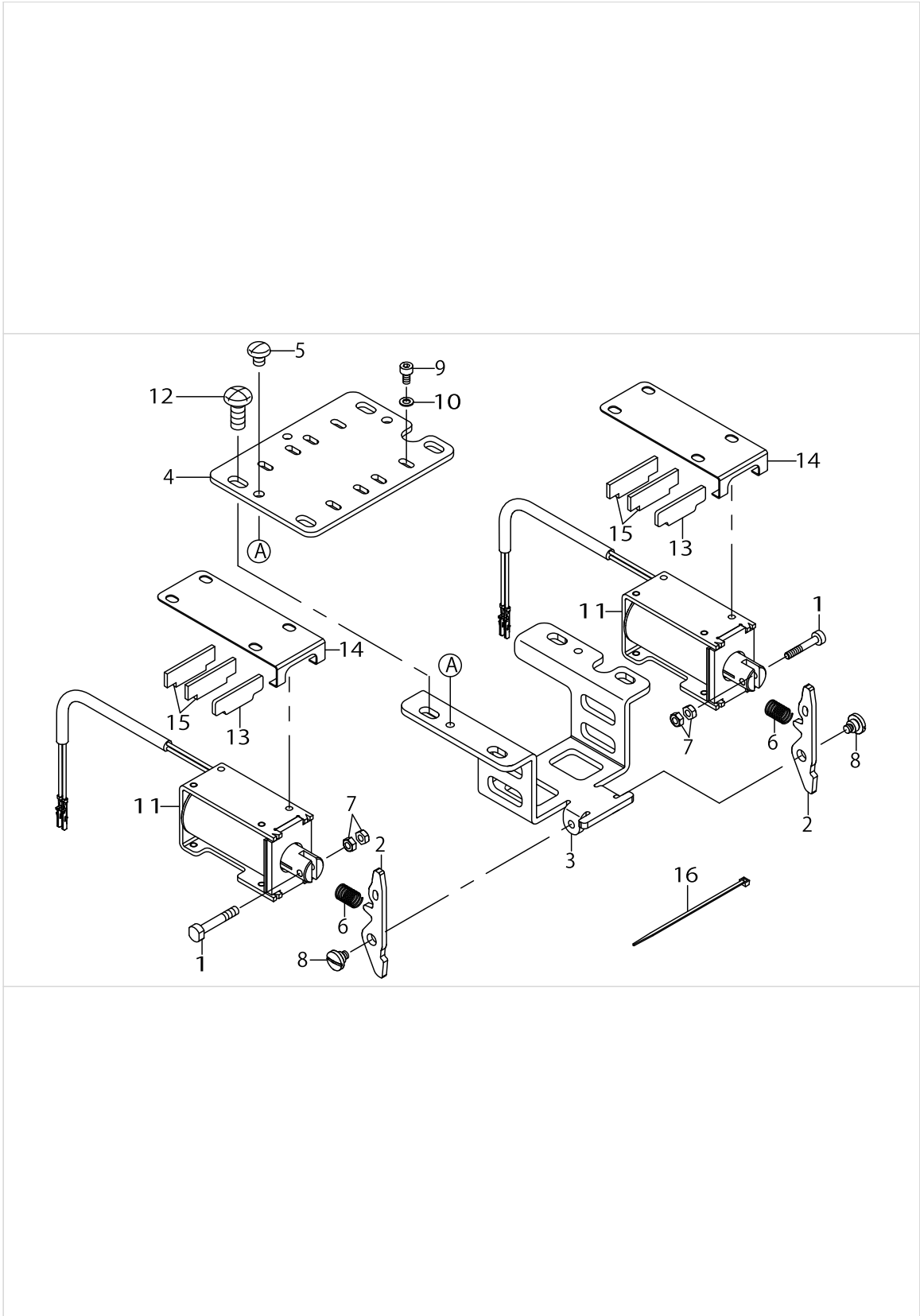
THREAD TENSION COMPONENTS (FOR LU-2860,2860-7,2868-7)



THREAD TENSION COMPONENTS (FOR LU-2860,2860-7,2868-7)

No.	Parts No.	Parts name	Remarks	Level	Cons	Qty
48	SM4050855SP	SCREW				1
49	22954309	REVERSE FEED SWITCH SPRING				1
50	40126265	DISK_RELEASE_LINK_ASM.				1
51	40125873	DISK_RELEASE_LINK_BASE				1
52	SM4051001SN	SCREW M5				3

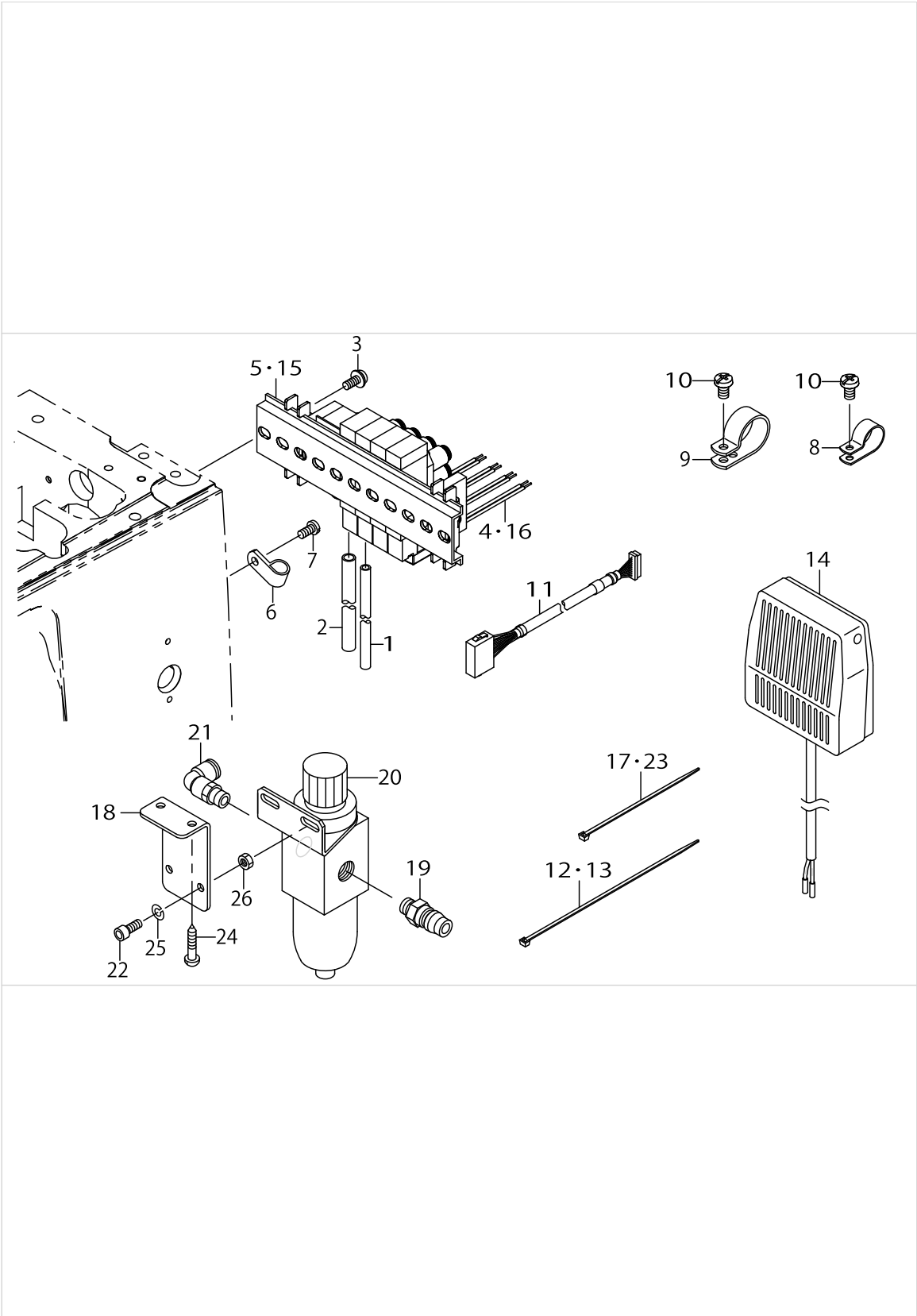
TENSION RELEASE COMPONENTS (FOR LU-2810-7,2860-7,2818-7,2868-7)



TENSION RELEASE COMPONENTS (FOR LU-2810-7,2860-7,2818-7,2868-7)

No.	Parts No.	Parts name	Remarks	Level	Cons	Qty
1	40139345	PLUNGER_LINK_PIN				2
2	40125948	RELEASE_SOLENOID_LINK				2
3	40126263	SOLENOID_LINK_MOUNTING_PLATE				1
4	40125949	RELEASE_SOLENOID_BASE				1
5	SS4090515SP	SCREW 9/64-40 L=5				2
6	32055501	AT (UPPER) SPRING				2
7	NM6030001SC	NUT M3X0.5 TYPE1				4
8	SD0550271TP	HINGE SCREW D=5.50 H=2.7				2
9	SM6030602TP	SCREW M3X0.5 L=6				8
10	WP0320501SE	WASHER 3.2X7.0X0.5				8
11	40112285	TENSION_RELEASE_SOLENOID				2
12	SM4051255SP	SCREW M5 L=12				4
13	40126563	STOPPER_PLATE				2
14	40126562	RUBBER HOLDER				2
15	40086679	WIPER_STOPPER_RUBBER				4
16	EA9500B0100	CABLE BAND				1

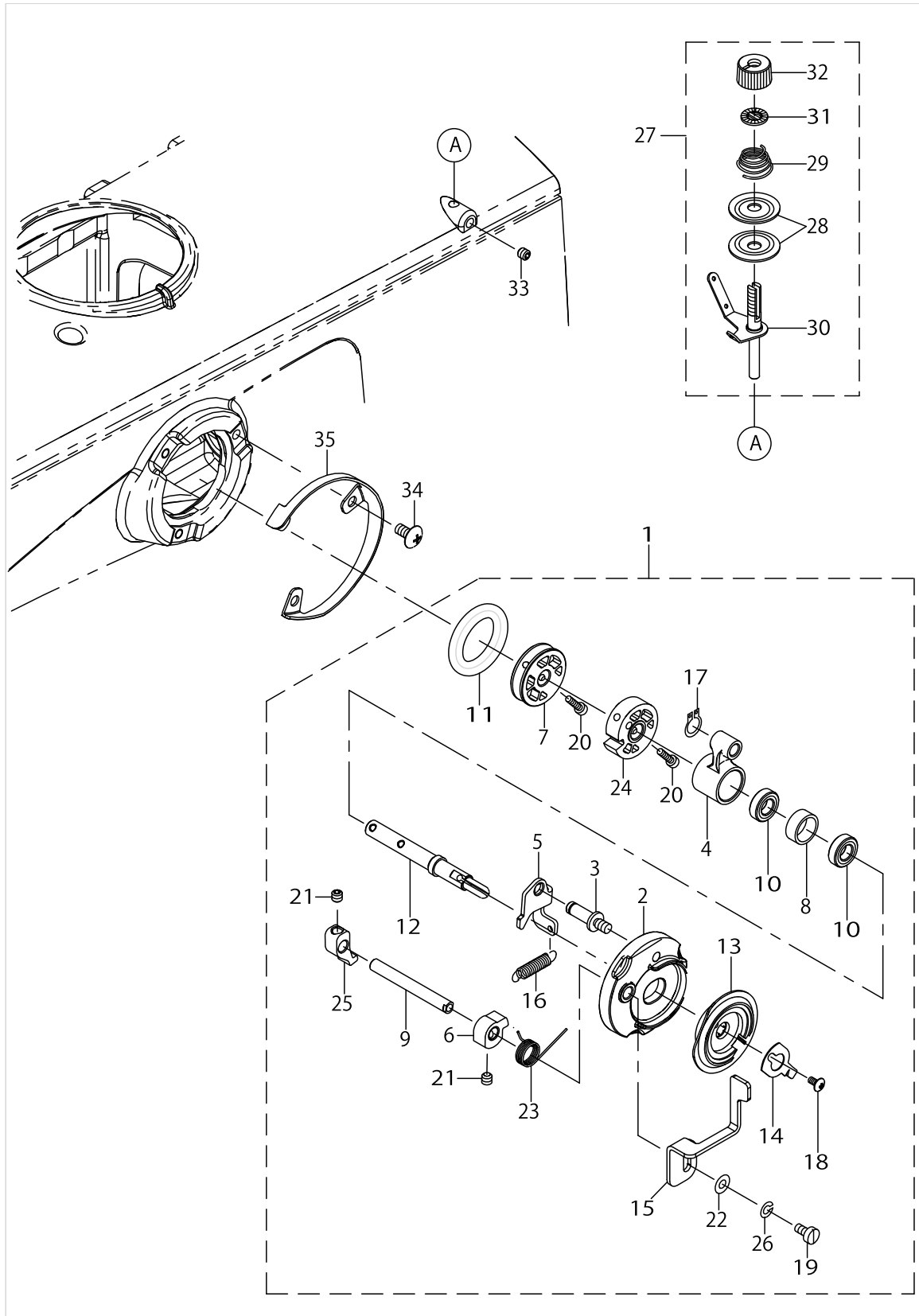
PNEUMATIC COMPONENTS (FOR LU-2810-7,2860-7,2818-7,2868-7)



PNEUMATIC COMPONENTS (FOR LU-2810-7,2860-7,2818-7,2868-7)

No.	Parts No.	Parts name	Remarks	Level	Cons	Qty
1	BT0600401EB	TUBE				1.1
2	BT0800501EB	VINYL TUBE				1.1
3	SL4041091SC	SCREW M4 L=10				2
4	40126128	SOLENOID VALVE CABLE ASM.	FOR LU-2810-7,2860-7			1
5	40126545	SOLENOID_VALVE_ASSY	FOR LU-2810-7,2860-7			1
6	HX00150000C	CABLE CLIP				1
7	SM4040855SP	SCREW				1
8	HX00150000H	CABLE CLIP				1
9	HX00150000M	CABLE CLIP				1
10	SM4040855SP	SCREW				2
11	40126127	AIR VALVE RELAY CABLE ASM.				1
12	EA9500B0200	CABLE BAND 150	FOR LU-2810-7,2860-7			2
13	EA9500B0200	CABLE BAND 150	FOR LU-2818-7,2868-7			4
14	40143553	KNEE_SWITCH_ASM.				1
15	40130283	SOLENOID_VALVE_ASM	FOR LU-2818-7,2868-7			1
16	40130284	SOLENOID VALVE CABLE ASM	FOR LU-2818-7,2868-7			1
17	EA9500B0100	CABLE BAND	FOR LU-2818-7,2868-7			1
18	13860408	REGULATOR BRACKET				1
19	PJ025100003	PLUG				1
20	PF055107000	FILTER REGULATOR				1
21	PJ304065101	ELBOW UNION 6XPT1/8				1
22	SM6051202TP	SCREW M5X0.8 L=12				2
23	EA9500B0100	CABLE BAND	FOR LU-2810-7,2860-7			1
24	SK3482001SE	WOOD SCREW D=4.8 L=20				2
25	WS0510002KN	SPRING WASHER M5				2
26	NM6050001SP	NUT M5				2

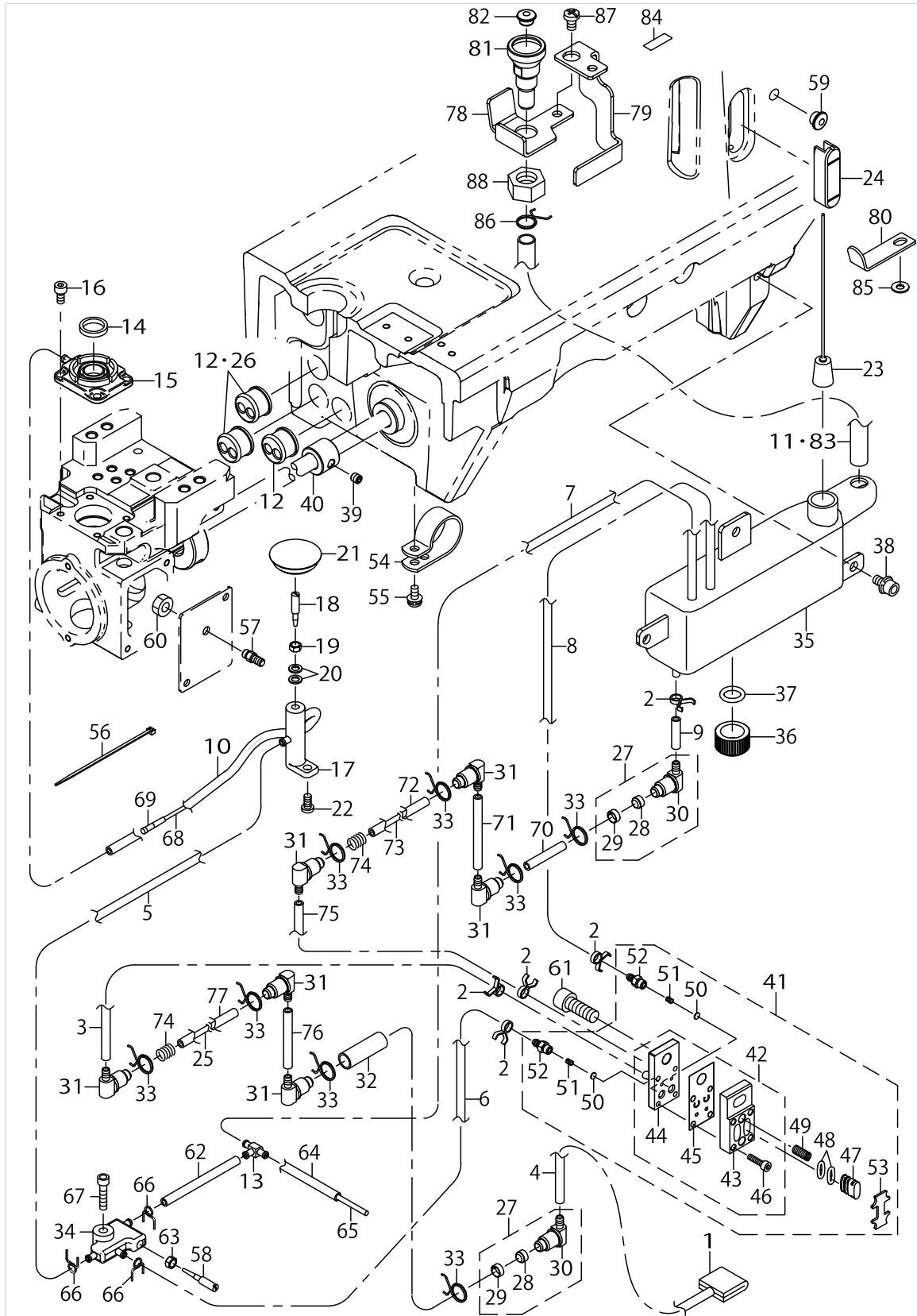
BOBBIN WINDER COMPONENTS



BOBBIN WINDER COMPONENTS

No.	Parts No.	Parts name	Remarks	Level	Cons	Qty
1	40126355	BOBBIN_WINDER_UNIT				1
2	26260109	BTW_BASE		*		1
3	26260307	BTW_BASE_SHAFT		*		1
4	26260406	BTW_SHAFT_BASE		*		1
5	40126594	BTW_CAM_PLATE		*		1
6	26260505	BTW_CAM_LEVER		*		1
7	40125851	WINDER_WHEEL		*		1
8	26260802	BTW_BEARING_SPACER		*		1
9	26261008	BTW_LEVER_SHAFT		*		1
10	40126354	WINDER_BEARING		*		1
11	26261503	BTW_WHEEL_RUBBER		*	☆	1
12	40126550	BOBBIN_SHAFT		*		1
13	40125927	BOBBIN_BASE		*		1
14	40126311	WINDER_CUTTER		*		1
15	40151791	BOBBIN_LEVER		*		1
16	13718507	SPRING		*		1
17	RC0560711KP	RETAINING RING		*		1
18	SM0030601SC	SCREW M3X0.5 L=6		*		1
19	SM6040860TP	SCREW M4 L=8		*		1
20	SM6031202TP	SCREW M3X0.5 L=12		*		1
21	SM8050502TP	SCREW M5 L=5		*		2
22	WP0450801SP	WASHER		*		1
23	40126549	HELICAL_TORSION_COIL_SPRING		*		1
24	40125928	WINDER_LATCH_CAM		*		1
25	40125844	WINDER_LATCH_B		*		1
26	WS0451040KP	SPRING WASHER 4.5X8.5X1		*		1
27	40088958	BOBBIN_THREAD_TENSION_ASM.				1
28	22921506	THREAD_TENSION_DISK		*		1
29	22921704	THREAD_TENSION_SPRING_A		*	☆	1
30	40088959	BOBBIN_THREAD_TENSION_ROD_ASM.		*		1
31	22921407	ROTATION_STOPPER		*		1
32	22921308	THREAD_TENSION_NUT		*		1
33	SM8051002TP	SCREW M5 L=10				1
34	SM0051001SC	SCREW				3
35	40152022	BTW_GUARD				1

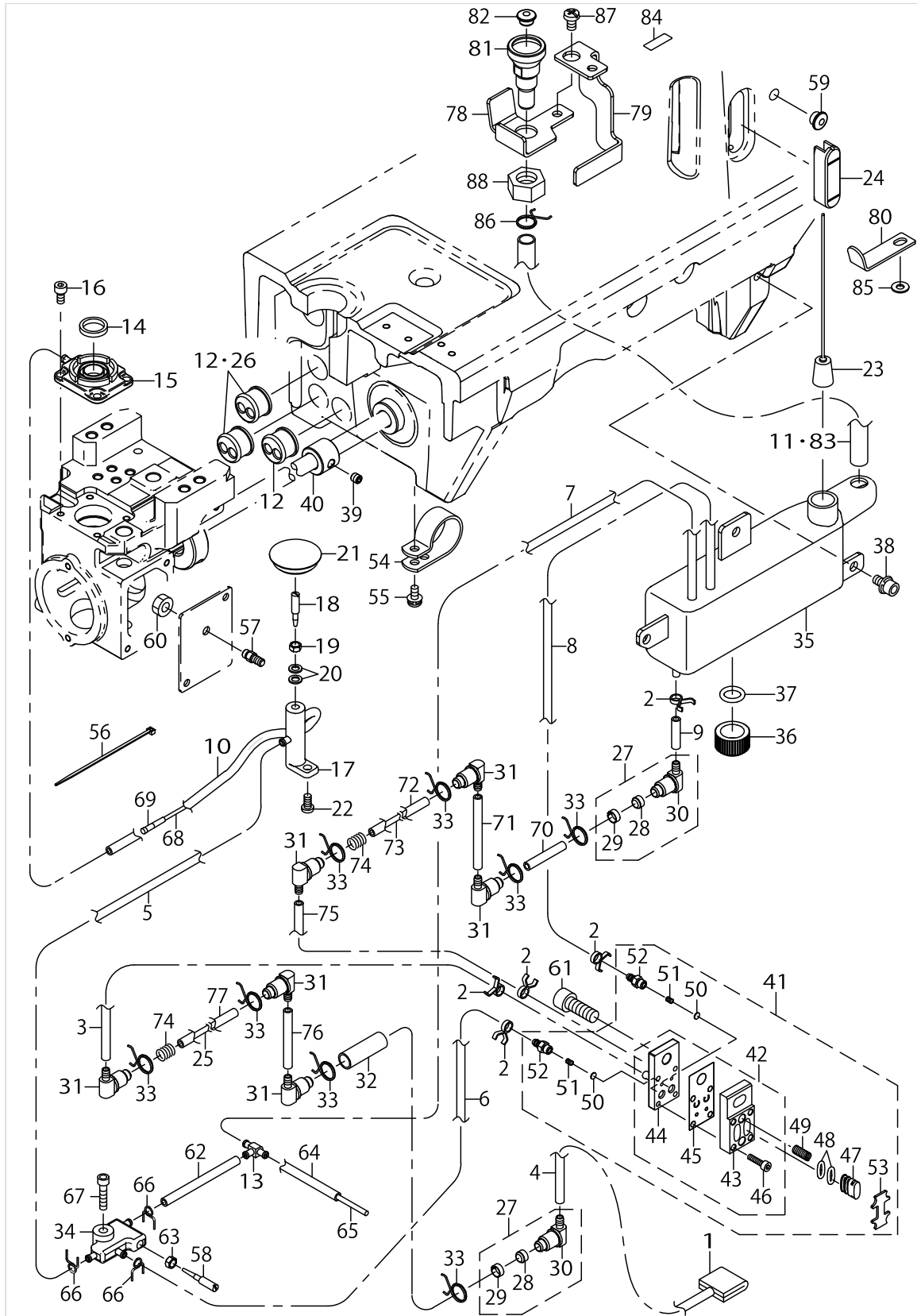
LUBRICATION COMPONENTS (FOR LU-2810,2810-7,2818-7)



LUBRICATION COMPONENTS (FOR LU-2810,2810-7,2818-7)

No.	Parts No.	Parts name	Remarks	Level	Cons	Qty
1	40112320	FELT				1
2	13142609	OIL TUBE HOLDER				5
3	23630007	TUBE				0.1
4	23630007	TUBE				0.4
5	23630007	TUBE				0.12
6	23630007	TUBE				0.08
7	23630007	TUBE				0.31
8	23630007	TUBE				0.4
9	23630007	TUBE				0.02
10	23630007	TUBE				0.22
11	23630106	TUBE_B	FOR LU-2810,2810-7			0.32
12	22935308	MAGNET_CORD_RUBBER				2
13	13765607	OIL_CONNEC_ARM				1
14	40112318	OIL_SUPPLY_FELT				1
15	40112246	OIL_SUPPLY				1
16	SM6040802TP	SCREW_M4X0.7_L=8				4
17	40069741	OIL_REGULATING_VALVE				1
18	B1843563000	OIL_ADJUSTING_SCREW				1
19	NS6110310SP	NUT_11/64-40_				1
20	WP0450846SP	WASHER				2
21	40028294	FEED_ADJUSTING_CAP				1
22	SM4040855SP	SCREW				1
23	23628357	FLOATERASM.				1
24	40036167	OIL_GAGE				1
25	CQ303000000	OIL WICK				0.26
26	22935308	MAGNETCORDRUBBER	FOR LU-2810-7			3
27	23630650	OIL_FILTER_JOINT_ASM.				2
28	23630403	OIL_FILTER_STOPPER		*	☆	1
29	23630502	OIL_FILTER		*		1
30	23630601	OIL_FILTER_JOINT		*		1
31	23630601	OIL_FILTER_JOINT				6
32	23630106	TUBE_B				0.03
33	23629405	PIPE STOPPER B				8
34	40032804	BASE				1
35	40125929	OIL_TANK				1
36	40013595	OIL_EXIT_CAP				1
37	RO098240100	RUBBER_RING				1
38	SL6051092TN	BOLT				3
39	SM8050512TP	SCREW				1
40	40101721	ECCENTRIC_CAM				1
41	40101719	PUMP_BASE_ASSY				1
42	40102249	PUMP_BASE_ASM.		*		1
43	40101715	PUMP_BASE_TOP		*		1
44	40101716	PUMP_BASE_BOTTOM		*		1
45	40101717	GASKET_SHEET		*		1
46	SM6031202TP	SCREW_M3X0.5_L=12		*		4
47	40101713	OVAL_PLUNGER		*		2

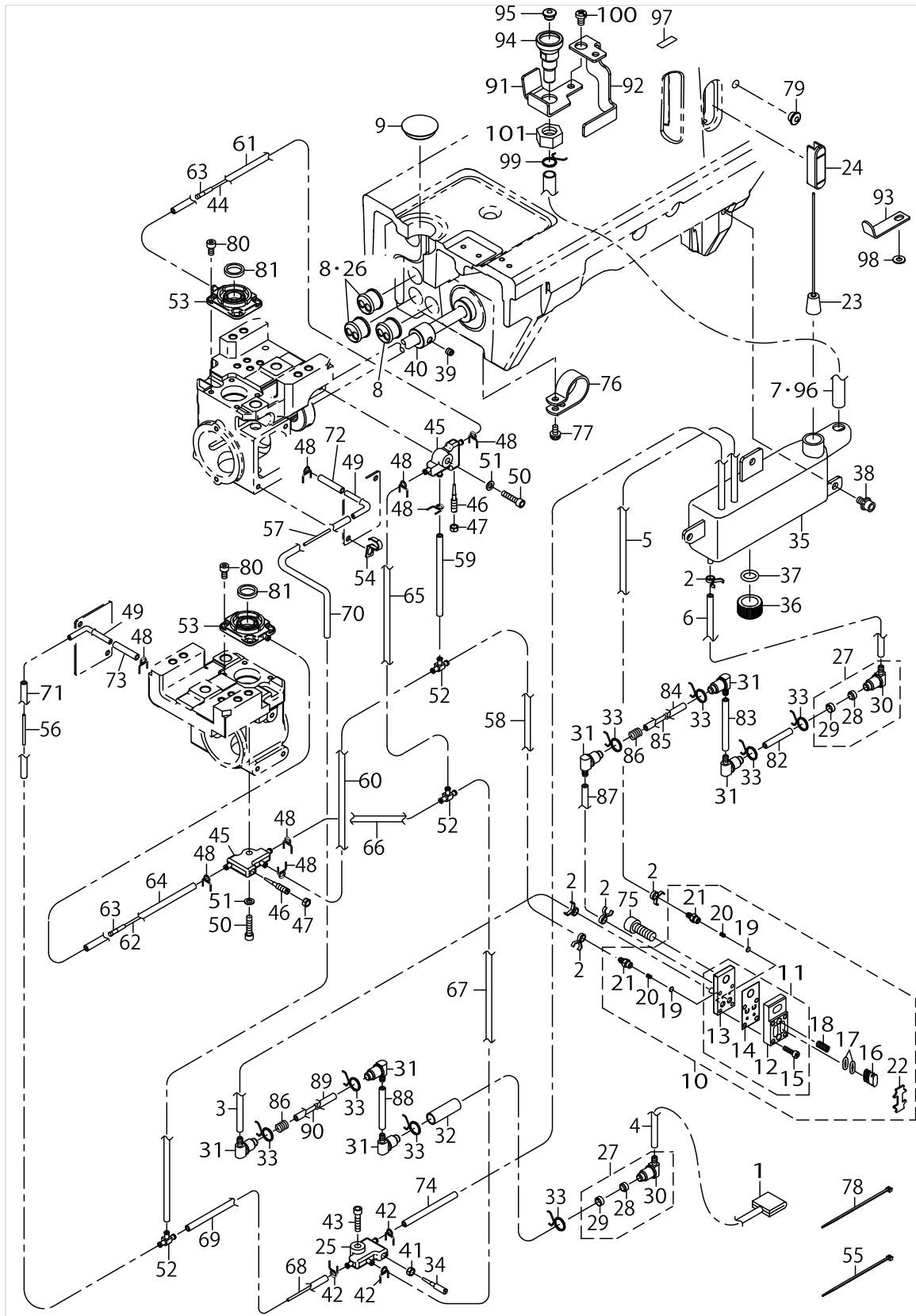
LUBRICATION COMPONENTS (FOR LU-2810,2810-7,2818-7)



LUBRICATION COMPONENTS (FOR LU-2810,2810-7,2818-7)

No.	Parts No.	Parts name	Remarks	Level	Cons	Qty
48	40116455	OVAL_O_RING		*		4
49	40116456	SPRING		*		2
50	40116457	FREE_VALVE		*		2
51	40116458	SPRING		*		2
52	40116459	CONNECTING_SCREW		*		2
53	40101714	PLUNGER_HOLD_PLATE		*		1
54	HX00150000M	CABLE_CLIP				1
55	SL4041091SC	SCREW M4 L=10				1
56	EA9500B0100	CABLE_BAND				4
57	SQ2050452MZ	CONNECTING_SCREW				1
58	B1843563000	OIL ADJUSTING SCREW				1
59	40126582	RUBBER_PLUG	FOR LU-2810,2810-7			1
60	NM6050003SC	NUT_M5X0.8				1
61	SM6061802TP	SCREW_M6_L=18				1
62	23630007	TUBE				0.06
63	NS6110310SP	NUT 11/64-40				1
64	23630007	TUBE				0.28
65	CQ202000000	COTTON OIL WICK D=2				0.05
66	13142609	OIL TUBE HOLDER				3
67	SM6041802TP	SCREW M4 L=18				1
68	CQ202000000	OIL WICK				0.18
69	11015906	OIL WICK				2
70	23630007	TUBE				0.03
71	23630007	TUBE				0.05
72	23630106	TUBE B				0.09
73	CQ303000000	OIL WICK				0.26
74	12210803	SPRING				2
75	23630007	TUBE				0.1
76	23630007	TUBE				0.04
77	23630106	TUBE B				0.09
78	40147956	INLET_PLATE	FOR LU-2818-7			1
79	40155370	TUBE HOLDER A	FOR LU-2818-7			1
80	40155371	TUBE HOLDER B	FOR LU-2818-7			1
81	40155440	LUBRICATING INLET	FOR LU-2818-7			1
82	40126582	RUBBER_PLUG	FOR LU-2818-7			1
83	23630106	TUBE B	FOR LU-2818-7			0.35
84	B1140761000	OILING LABEL	FOR LU-2818-7			1
85	WP0450801SP	WASHER	FOR LU-2818-7			1
86	23629405	PIPE STOPPER B	FOR LU-2818-7			1
87	SM4050855SP	SCREW	FOR LU-2818-7			1
88	NM6120001CP	NUT M12	FOR LU-2818-7			1

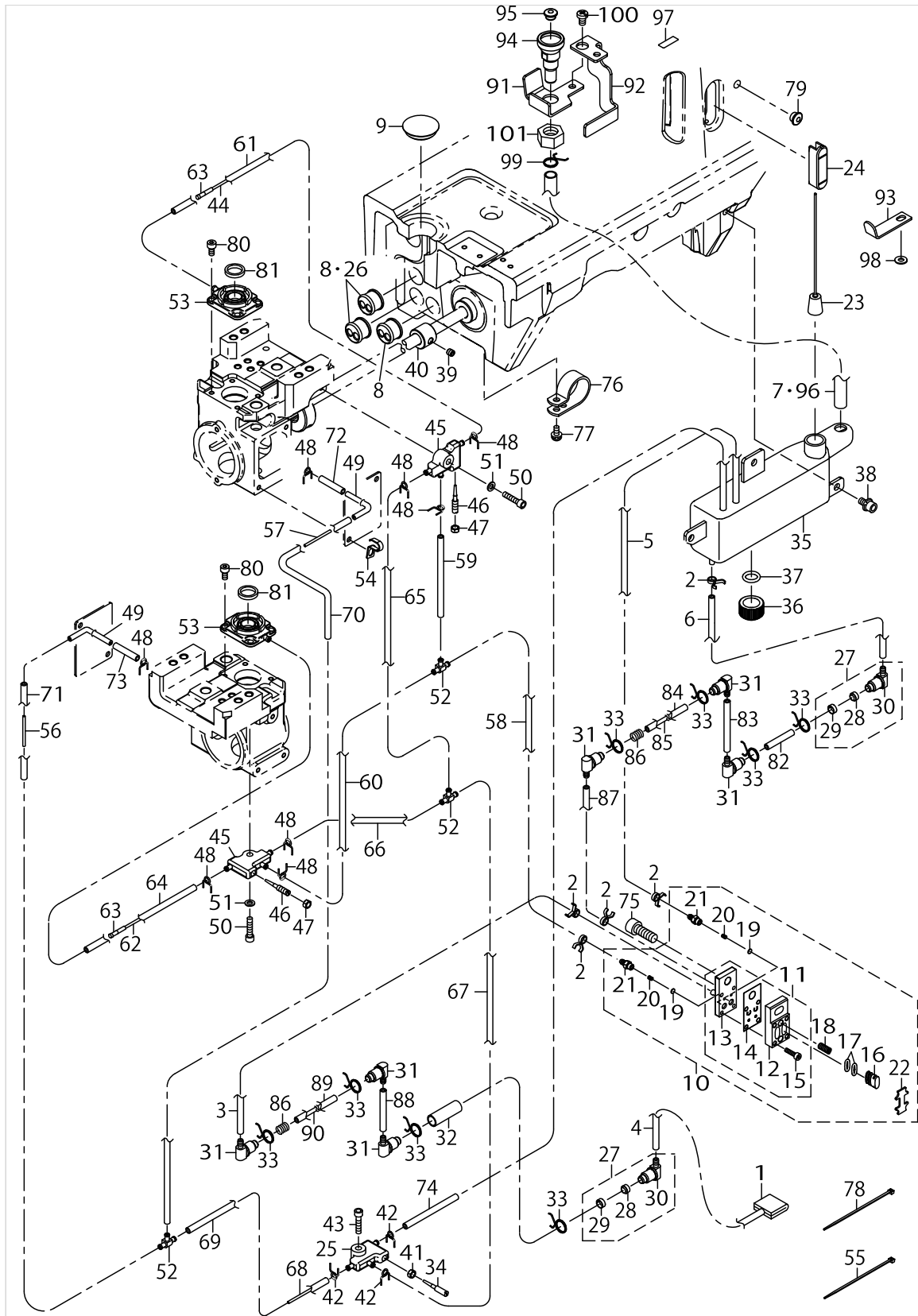
LUBRICATION COMPONENTS (FOR LU-2860,2860-7,2868-7)



LUBRICATION COMPONENTS (FOR LU-2860,2860-7,2868-7)

No.	Parts No.	Parts name	Remarks	Level	Cons	Qty
1	40112320	FELT				1
2	13142609	OIL TUBE HOLDER				5
3	23630007	TUBE				0.1
4	23630007	TUBE				0.4
5	23630007	TUBE				0.4
6	23630007	TUBE				0.02
7	23630106	TUBE_B	FOR LU-2860,2860-7			0.32
8	22935308	MAGNET_CORD_RUBBER				2
9	40028294	FEED_ADJUSTING_CAP				1
10	40101719	PUMP_BASE_ASSY				1
11	40102249	PUMP_BASE_ASM.		*		1
12	40101715	PUMP_BASE_TOP		*		1
13	40101716	PUMP_BASE_BOTTOM		*		1
14	40101717	GASKET_SHEET		*		1
15	SM6031202TP	SCREW_M3X0.5_L=12		*		4
16	40101713	OVAL_PLUNGER		*		2
17	40116455	OVAL_O_RING		*		4
18	40116456	SPRING		*		2
19	40116457	FREE_VALVE		*		2
20	40116458	SPRING		*		2
21	40116459	CONNECTING_SCREW		*		2
22	40101714	PLUNGER_HOLD_PLATE		*		1
23	23628357	FLOATER_ASM.				1
24	40036167	OIL_GAGE				1
25	40032804	BASE				1
26	22935308	MAGNET CORD RUBBER	FOR LU-2860-7			3
27	23630650	OIL_FILTER_JOINT_ASM.				2
28	23630403	OIL_FILTER_STOPPER		*	☆	1
29	23630502	OIL_FILTER		*		1
30	23630601	OIL_FILTER_JOINT		*		1
31	23630601	OIL_FILTER_JOINT				6
32	23630106	TUBE_B				0.03
33	23629405	PIPE STOPPER B				8
34	B1843563000	OIL ADJUSTING SCREW				1
35	40125929	OIL_TANK				1
36	40013595	OIL_EXIT_CAP				1
37	RO098240100	RUBBER_RING				1
38	SL6051092TN	BOLT				3
39	SM8050512TP	SCREW				1
40	40101721	ECCENTRIC_CAM				1
41	NS6110310SP	NUT 11/64-40				1
42	13142609	OIL TUBE HOLDER				3
43	SM6041802TP	SCREW M4 L=18				1
44	CQ202000000	OIL WICK				0.15
45	40032804	BASE				2
46	B1834512000A	OIL ADJUSTING SCREW				2
47	NS6110310SP	HEXAGONAL NUT 11/64-40				2

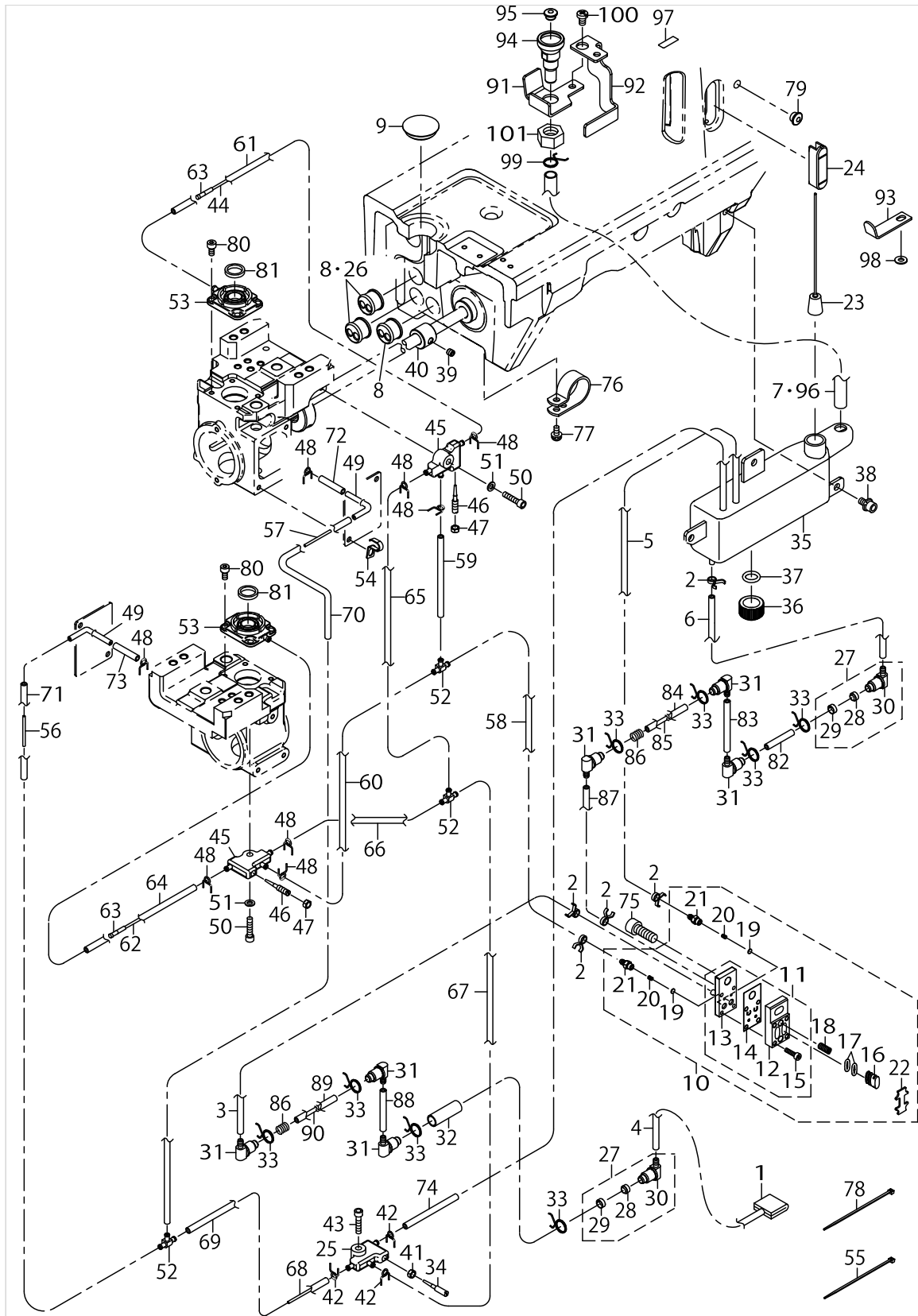
LUBRICATION COMPONENTS (FOR LU-2860,2860-7,2868-7)



LUBRICATION COMPONENTS (FOR LU-2860,2860-7,2868-7)

No.	Parts No.	Parts name	Remarks	Level	Cons	Qty
48	13142609	OIL TUBE HOLDER				8
49	22923908	HOOK DRIVING SHAFT OILING PIPE				2
50	SM6041802TP	SCREW M4 L=18				2
51	WP0430800SD	WASHER M4				2
52	13765607	OIL CONNEC. ARM				3
53	40112246	OIL_SUPPLY				2
54	26231902	OIL WICK PIPE STOPPER				1
55	EA9500B0100	CABLE_BAND				2
56	CQ202000000	COTTON OIL WICK D=2				0.03
57	CQ202000000	COTTON OIL WICK D=2				0.03
58	23630007	TUBE				0.19
59	23630007	TUBE				0.08
60	23630007	TUBE				0.145
61	23630007	TUBE				0.195
62	CQ202000000	OIL WICK				0.16
63	11015906	OIL WICK				4
64	23630007	TUBE				0.16
65	23630007	TUBE				0.065
66	23630007	TUBE				0.11
67	23630007	TUBE				0.18
68	CQ202000000	OIL WICK				0.1
69	23630007	TUBE				0.12
70	23630007	TUBE				0.13
71	23630007	TUBE				0.095
72	23630007	TUBE				0.026
73	23630007	TUBE				0.026
74	23630007	TUBE				0.33
75	SM6061802TP	SCREW_M6_L=18				1
76	HX00150000M	CABLE CLIP				1
77	SL4041091SC	SCREW M4 L=10				1
78	EA9500B0100	CABLE_BAND				5
79	40126582	RUBBER_PLUG	FOR LU-2860,2860-7			1
80	SM6040802TP	SCREW_M4X0.7_L=8				8
81	40112318	OIL_SUPPLY_FELT				2
82	23630007	TUBE				0.03
83	23630007	TUBE				0.05
84	23630106	TUBE B				0.09
85	CQ303000000	OIL WICK				0.26
86	12210803	SPRING				2
87	23630007	TUBE				0.1
88	23630007	TUBE				0.04
89	23630106	TUBE B				0.09
90	CQ303000000	OIL WICK				0.26
91	40147956	INLET_PLATE	FOR LU-2868-7			1
92	40155370	TUBE HOLDER A	FOR LU-2868-7			1
93	40155371	TUBE HOLDER B	FOR LU-2868-7			1
94	40155440	LUBRICATING INLET	FOR LU-2868-7			1

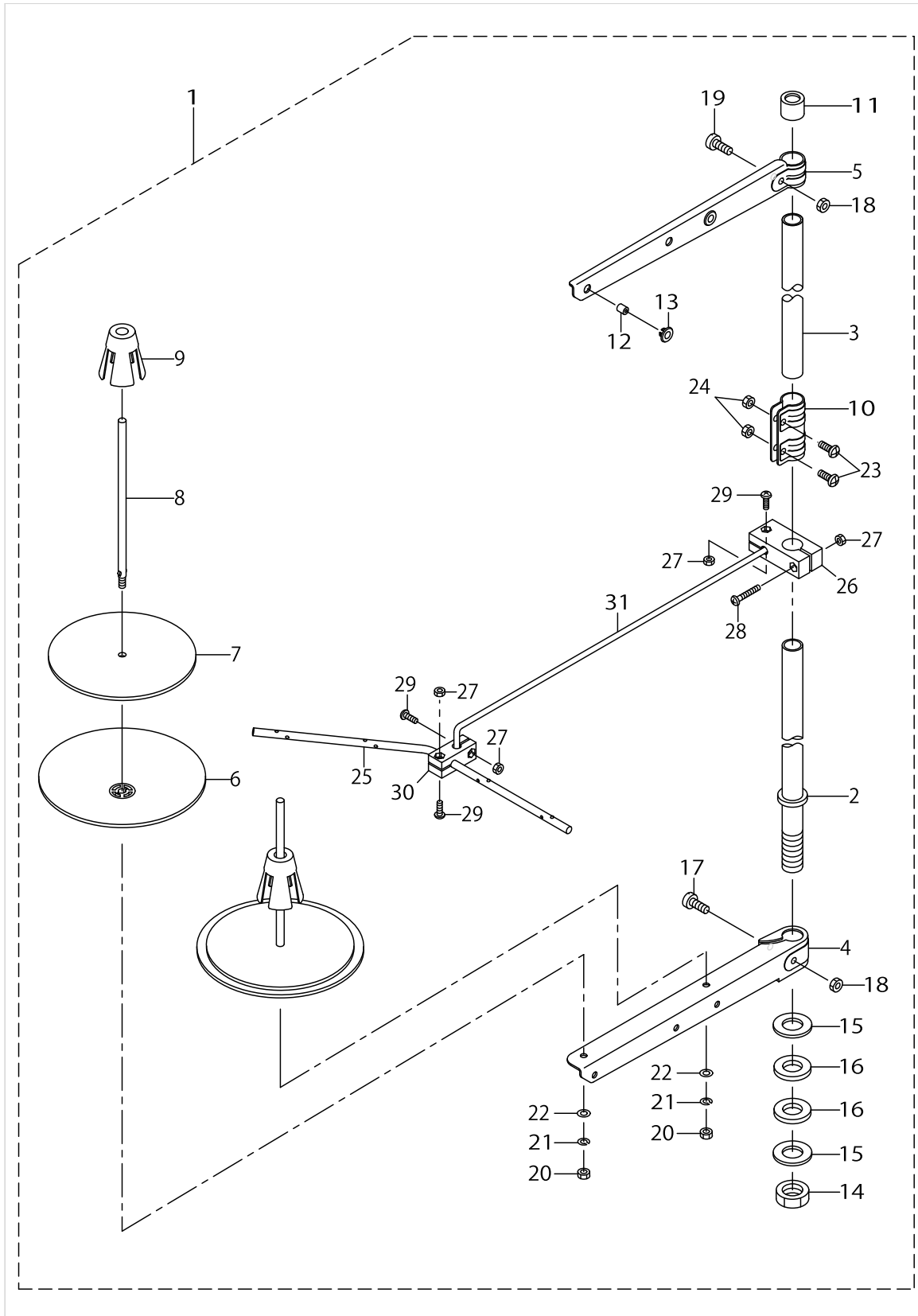
LUBRICATION COMPONENTS (FOR LU-2860,2860-7,2868-7)



LUBRICATION COMPONENTS (FOR LU-2860,2860-7,2868-7)

No.	Parts No.	Parts name	Remarks	Level	Cons	Qty
95	40126582	RUBBER_PLUG	FOR LU-2868-7			1
96	23630106	TUBE B	FOR LU-2868-7			0.35
97	B1140761000	OILING LABEL	FOR LU-2868-7			1
98	WP0450801SP	WASHER	FOR LU-2868-7			1
99	23629405	PIPE STOPPER B	FOR LU-2868-7			1
100	SM4050855SP	SCREW	FOR LU-2868-7			1
101	NM6120001CP	NUT M12	FOR LU-2868-7			1

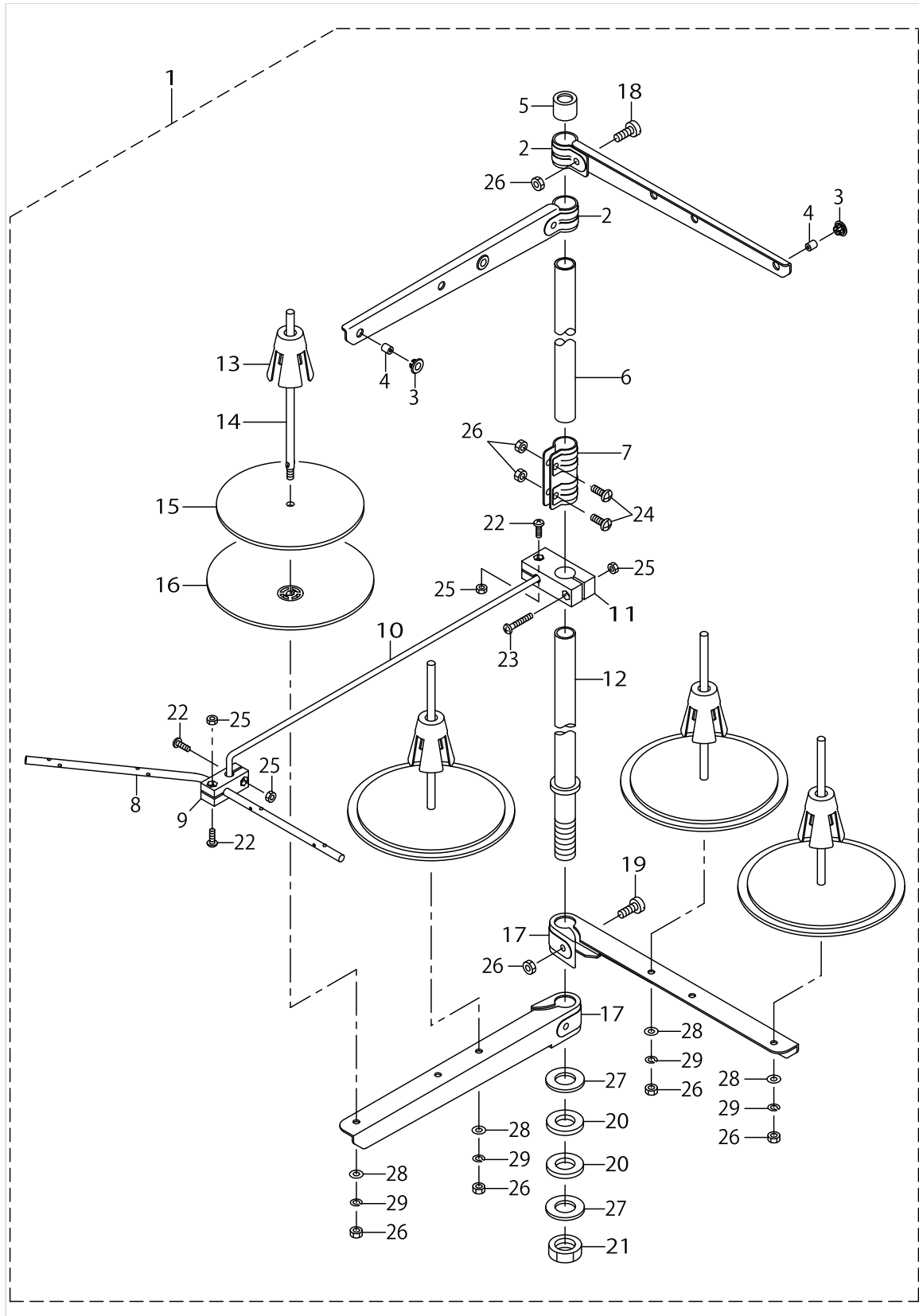
THREAD STAND COMPONENTS (FOR LU-2810,2810-7,2818-7)



THREAD STAND COMPONENTS (FOR LU-2810,2810-7,2818-7)

No.	Parts No.	Parts name	Remarks	Level	Cons	Qty
1	40142213	THREAD_STAND_PACKING				1
2	40085784	SPOOL_REST_ROD_LOWER		*		1
3	40085785	SPOOL_REST_ROD_UPPER		*		1
4	40085786	SPOOL_REST_ARM_LOWER		*		1
5	40085787	SPOOL_REST_ARM_UPPER		*		1
6	40085788	SPOOL_REST		*		2
7	40085789	SPOOL_REST_CUSHION		*		2
8	40085790	SPOOL_PIN		*		2
9	40085791	SPOOL_RETAINER		*		2
10	40085792	SPOOL_REST_ROD_JOINT		*		1
11	40085793	SPOOL_REST_ROD_RUBBER_CAP		*		1
12	40085794	THREAD_GUIDE		*		2
13	40085795	THREAD_GUIDE_BUSHING		*		2
14	40096325	SPOOL_REST_ROD_NUT		*		1
15	WP1612616SE	WASHER_16X30X2.6		*		2
16	40085796	SPOOL_REST_ROD_RUBBER_CUSHION		*		2
17	40096326	SPOOL_REST_ARM_LOWER_SCREW		*		1
18	NM6050001SE	NUT_M5		*		2
19	40096327	SPOOL_REST_ARM_UPPER_SCREW		*		1
20	NM6050001SE	NUT_M5		*		2
21	WS0510002KN	SPRING_WASHER_M5		*		2
22	WP0531001SC	WASHER_M5		*		2
23	SM4051405SE	SCREW_M5_L=14		*		2
24	NM6050001SE	NUT_M5		*		2
25	40106582	THREAD_GUIDE_4		*		1
26	40106579	THREAD_GUIDE_ARM_BASE		*		1
27	NM6040002SC	NUT_M4		*		4
28	SM4042501SC	SCREW_M4X0.7_L=25		*		1
29	SM4041201SC	SCREW_M4_L=12		*		3
30	40106580	THREAD_GUIDE_UNDER_BASE		*		1
31	40106576	THREAD_GUIDE_ARM		*		1

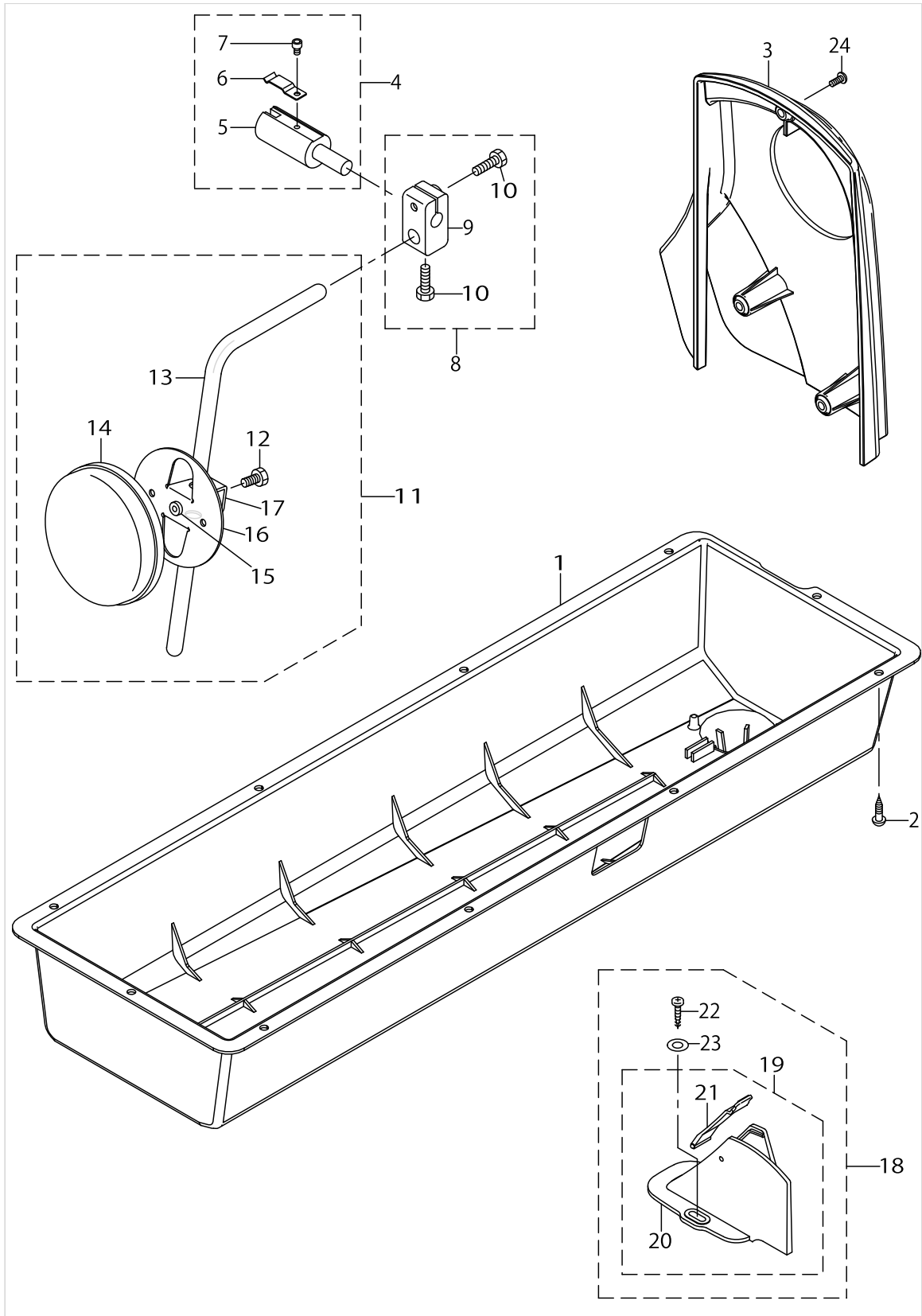
THREAD STAND COMPONENTS (FOR LU-2860,2860-7,2868-7)



THREAD STAND COMPONENTS (FOR LU-2860,2860-7,2868-7)

No.	Parts No.	Parts name	Remarks	Level	Cons	Qty
1	40106584	THREAD STAND PACKING				1
2	40085787	SPOOL REST ARM UPPER		*		2
3	40085795	THREAD GUIDE BUSHING		*		4
4	40085794	THREAD GUIDE		*		4
5	40085793	SPOOL REST ROD RUBBER CAP		*		1
6	40085785	SPOOL REST ROD UPPER		*		1
7	40085792	SPOOL REST ROD JOINT		*		1
8	40106582	THREAD GUIDE 4		*		1
9	40106580	THREAD GUIDE UNDER BASE		*		1
10	40106576	THREAD GUIDE ARM		*		1
11	40106579	THREAD GUIDE ARM BASE		*		1
12	40085784	SPOOL REST ROD LOWER		*		1
13	40085791	SPOOL RETAINER		*		4
14	40085790	SPOOL PIN		*		4
15	40085789	SPOOL REST CUSHION		*		4
16	40085788	SPOOL REST		*		4
17	40085786	SPOOL REST ARM LOWER		*		2
18	40096327	SPOOL REST ARM UPPER SCREW		*		2
19	40096326	SPOOL REST ARM LOWER SCREW		*		2
20	40085796	SPOOL REST ROD RUBBER CUSHION		*		2
21	40096325	SPOOL REST ROD NUT		*		1
22	SM4041201SC	SCREW M4 L=12		*		3
23	SM4042501SC	SCREW M4X0.7 L=25		*		1
24	SM4051405SE	SCREW M5 L=14		*		2
25	NM6040002SC	NUT M4		*		4
26	NM6050001SE	NUT M5		*		10
27	WP1612616SE	WASHER 16X30X2.6		*		2
28	WP0531001SC	WASHER M5		*		4
29	WS0510002KN	SPRING WASHER M5		*		4

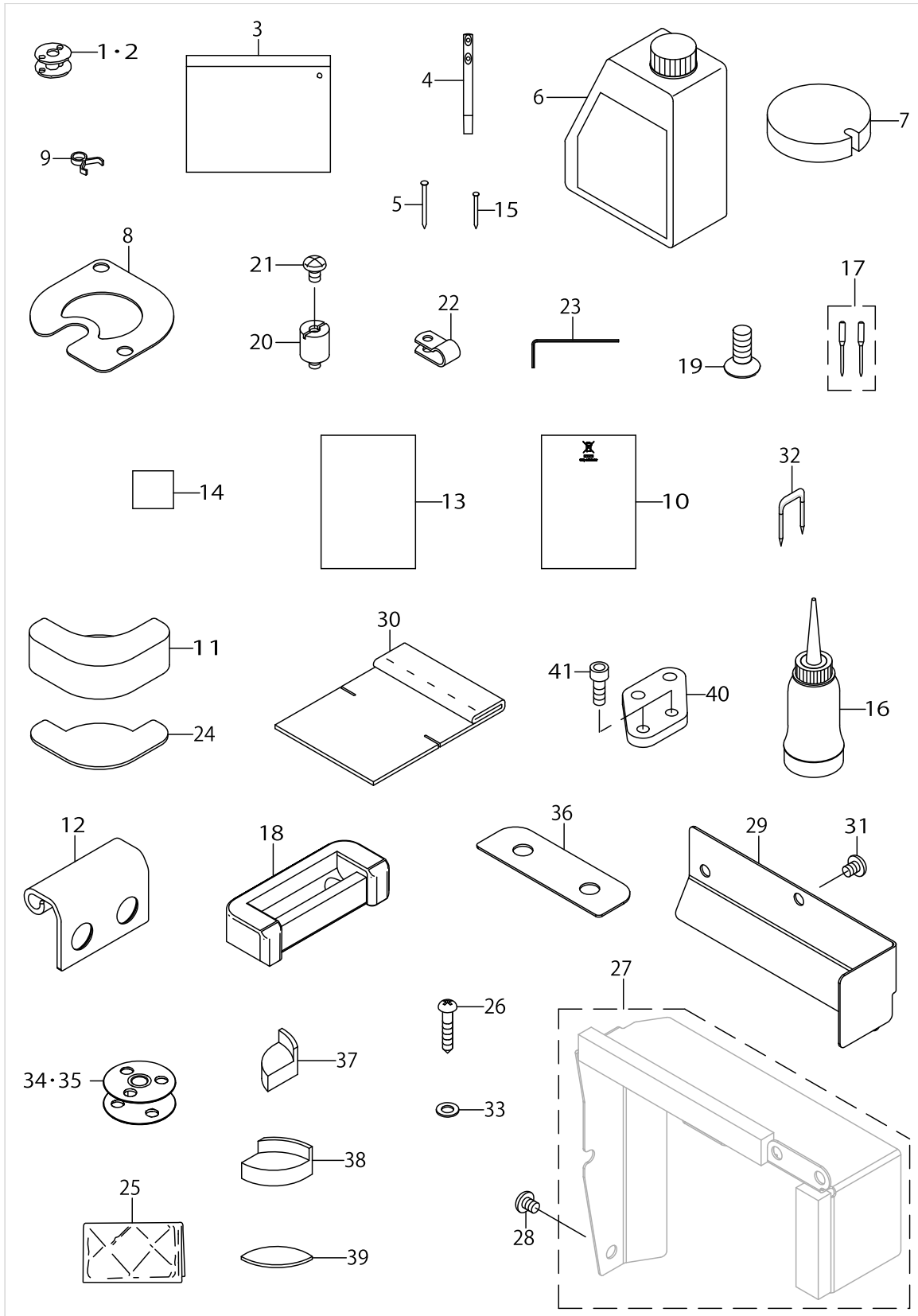
BOTTOM COVER & BELT COVER COMPONENTS



BOTTOM COVER & BELT COVER COMPONENTS

No.	Parts No.	Parts name	Remarks	Level	Cons	Qty
1	40126155	OIL_PAN				1
2	SK3482001SE	WOOD SCREW D=4.8 L=20				10
3	40126543	BELT_COVER	FOR LU-2810,2860			1
4	40143069	KNEE LIFTER JOINT ASM.	FOR LU-2810,2860			1
5	40143070	KNEE LIFTER JOINT		*		1
6	40143071	PRESSER SPRING		*		1
7	SM6040602TP	SCREW M4 L=6		*		1
8	22932453	BRACKET ASM.	FOR LU-2810,2860			1
9	22932404	BRACKET		*		1
10	22934707	SCREW		*		2
11	21343157	KNEE PRESS PLATE ASM.	FOR LU-2810,2860			1
12	SM9061203SE	SCREW M6 L=12		*		1
13	21343108	KNEE PRESS LEVER		*		1
14	22934509	KNEE PAD PLATE COVER		*		1
15	22934400	KNEE PAD PLATE RUBBER		*		1
16	22934202	KNEE PAD PLATE		*		1
17	22934301	KNEE PAD PLATE SUPPORT		*		1
18	40126560	ASSY_BELT_COVER_B2	FOR LU-2810,2860			1
19	40112296	BELT_COVER_B_COMPL.		*		1
20	40112314	BELT_COVER_B		*		1
21	40112313	BELT_COVER_B_LID_ASM.		*		1
22	SK3412000SC	WOOD SCREW D=4.1 L=20		*		2
23	WP0501016SD	WASHER 5X10.5X1		*		2
24	SM4051055SP	SCREW	FOR LU-2810,2860			3

ACCESSORIES PARTS COMPONENTS



ACCESSORIES PARTS COMPONENTS

No.	Parts No.	Parts name	Remarks	Level	Cons	Qty
1	21334800	ALUMINUM BOBBIN WITH KNURL	FOR LU-2810,2810-7		☆	1
2	21334800	ALUMINUM BOBBIN WITH KNURL	FOR LU-2860,2860-7		☆	2
3	21413158	ACCESSORY BAG ASM.				1
4	22958300	NEEDLE THREAD GUIDE PIN	FOR LU-2860,2860-7,2868-7			1
5	10539906	SET NAIL				6
6	40102087	JUKI_MACHINE_OIL_7				1
7	40126405	OIL_FILTER				1
8	40126267	FELT HOLDER				1
9	23629306	PIPE STOPPER A				2
10	CM600100201	WEEE INFORMATION SHEET	FOR JE			1
11	40151800	CUSHION_RUBBER				2
12	40125869	HINGE				2
13	40142430	DECLARATION OF INCORPORATION (LU2800)	FOR JE			1
14	40193158	LU2800 SAFETY NOTES				1
15	22926208	SET NAIL				2
16	B91210120A0	OILER ASM.				1
17	M13517B1602	NEEDLE 135X17 #160-2			☆	1
18	40164521	HINGE_RUBBER				2
19	B1516210D00	SCREW				4
20	40126222	CP_SPACER	FOR LU-2810-7,2860-7 2818-7,2868-7			2
21	SM4050855SP	SCREW	FOR LU-2810-7,2860-7 2818-7,2868-7			2
22	HX00150000B	CABLE CLIP	FOR LU-2810-7,2860-7 2818-7,2868-7			2
23	40079298	WRENCH				1
24	10740900	RUBBER				8
25	40048536	HEAD_COVER				1
26	SK3452501SE	SCREW D=4.5 L=25				4
27	40131916	OIL_SHIELD_PLATE_ASSY	FOR LU-2810,2810-7,2818-7			1
28	SM4050655SP	SCREW M5 L=6	FOR LU-2810,2810-7,2818-7			4
29	40131580	OIL_SHIELD_PLATE	FOR LU-2860,2860-7,2868-7			1
30	40133730	OIL FILTER				1
31	SM4050655SP	SCREW M5 L=6	FOR LU-2860,2860-7,2868-7			2
32	MAO11532000	CORD STAPLE	FOR LU-2810-7,2860-7 2818-7,2868-7			3
33	WP0550800SP	WASHER 5.5X10X0.8				4
34	40147913	BOBBIN	FOR LU-2818-7		☆	1
35	40147913	BOBBIN	FOR LU-2868-7		☆	2
36	40163914	HINGE_SPACER				2
37	40151803	RUBBER_CUSHION_LEFT				1
38	40151804	RUBBER_CUSHION_RIGHT				1
39	40151805	RUBBER_CUSHION_SHEET				4
40	40112214	EDGE_GUIDE_FITTING_PLATE				1
41	SM6051402TP	SCREW M5X0.8 L=14				2



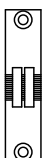
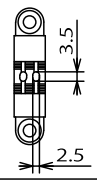
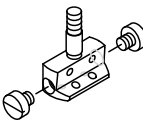
TABLE OF EXCHANGING GAUGE PARTS (FOR LU-2810,2810-7,2818-7)

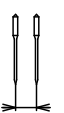
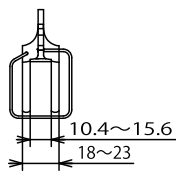
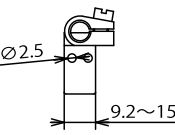
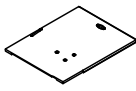
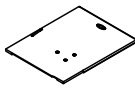
Item 品名	Standard gauge 標準ゲージ				Europe gauge ヨーロッパゲージ							
	LU-2810S		LU-2810S-7		LU-2810A		LU-2810A-7		LU-2818A-7			
Throat plate 針板												
	No.	1	No.	2	No.	3	No.	4	No.	5		
Part No.	401-12212		401-26349		401-12211		401-26350		401-47949			
Feed dog 送り歯												
	No.	6				No.	7		No.	8		
Part No.	401-33270				401-33272		401-25925					
Working foot asm. 送り足組												
	No.	9				No.	10		No.	11		
Part No.	401-43061				107-11653		107-12354					
Presser foot asm. 押え足組												
	No.	12				No.	13					
Part No.	213-50152				107-12552							
Slide plate (front) 正面滑り板												
					No.	14						
Part No.	-				401-47918							
Slide plate (left) 滑り板 左												
	No.	15										
Part No.	401-12224											
Slide plate (right) 滑り板 右												
	No.	16	No.	17	No.	16	No.	17	No.	18		
Part No.	401-42215		401-12225		401-42215		401-12225		401-47944			

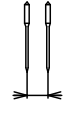


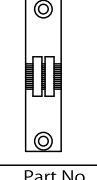
TABLE OF EXCHANGING GAUGE PARTS (FOR LU-2810,2810-7,2818-7)

No.	Parts No.	Parts name	Remarks	Level	Cons	Qty
1	40112212	THROAT_PLATE_2810_S				1
2	40126349	THROAT_PLATE_2810				1
3	40112211	THROAT_PLATE_2810_E				1
4	40126350	THROAT_PLATE_2810				1
5	40147949	THROAT_PLATE_2818AL				1
6	40133270	FEED_DOG_S(2.2X3.3)				1
7	40133272	FEED_DOS_E(2.2X3.3)				1
8	40125925	FEED_DOG_E				1
9	40143061	WALKING_FOOT_ASM				1
10	10711653	FEED FOOT ASM.				1
11	10712354	FEED FOOT ASM.				1
12	21350152	PRESSER FOOT ASM.				1
13	10712552	PRESSER FOOT ASM.				1
14	40147918	SLIDE_PLATE_FRONT				1
15	40112224	SLIDE_PLATE_2810L				1
16	40142215	SLIDE_PLATE_2810R_N				1
17	40112225	SLIDE_PLATE_2810R				1
18	40147944	SLIDE_PLATE_2810R				1

TABLE OF EXCHANGING GAUGE PARTS (FOR LU-2860,2860-7,2868-7)

Needle gauge size 針 幅			Throat plate 針 板				Feed dog 送 り 歯		Needle clamp asm. 針 留 め 組	
			LU-2860S		LU-2860S-7		LU-2860S,LU-2860S-7		LU-2860S,LU-2860S-7	
Code コード										
	inch	mm	No.	Part No.	No.	Part No.	No.	Part No.	No.	Part No.
D	3/16	4.8	1	401-27004	5	401-27023	9	401-26146	13	213-68154
F	1/4	6.4	2	401-27005	6	401-27024	10	401-26147	14	213-68253
H	5/16	7.9	3	401-27006	7	401-27025	11	401-26148	15	213-68352
K	3/8	9.5	4	401-27007	8	401-27026	12	401-26149	16	213-68451

Needle gauge size 針 幅			Presser foot asm. 押 え 足 組		Walking foot asm. 送 り 足 組		Slide plate 滑 り 板			
			LU-2860S,LU-2860S-7		LU-2860S,LU-2860S-7		LU-2860,LU-2860-7		LU-2868A-7	
Code コード										
	inch	mm	No.	Part No.	No.	Part No.	No.	Part No.	No.	Part No.
D	3/16	4.8	17	213-67651	21	213-67156	25	401-27056	26	401-47945
F	1/4	6.4	18	213-67750	22	213-67255				
H	5/16	7.9	19	213-67859	23	213-67354				
K	3/8	9.5	20	213-67958	24	213-67453				

Needle gauge size 針 幅			Throat plate 針 板				Feed dog 送 り 歯		
			LU-2860A		LU-2860A-7		LU-2868A-7		
Code コード									
	mm	No.	Part No.	No.	Part No.	No.	Part No.		
B	6	27	401-26976	31	401-26986	35	401-47951	39	401-26142
C	8	28	401-26977	32	401-26987	36	401-47952	40	401-26143
D	10	29	401-26978	33	401-26988	37	401-47953	41	401-26144
E	12	30	401-26979	34	401-26989	38	401-47954	42	401-26145

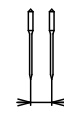
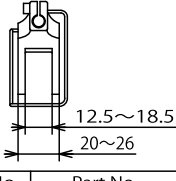
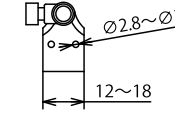

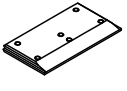


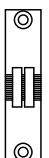
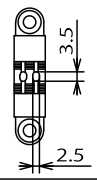
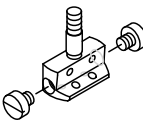
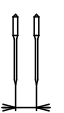
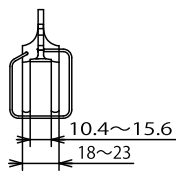
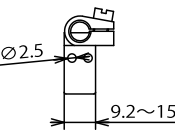
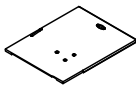
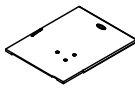
Needle gauge size 針 幅			Presser foot asm. 押 え 足 組		Walking foot asm. 送 り 足 組		Needle clamp asm. 針 留 め 組		Slide plate front 正面滑り板	
			LU-2860A,LU-2860A-7 LU-2868A-7		LU-2860A,LU-2860A-7 LU-2868A-7		LU-2860A,LU-2860A-7 LU-2868A-7		LU-2860A,LU-2860A-7 LU-2868A-7	
Code コード										
	mm	No.	Part No.	No.	Part No.	No.	Part No.	No.	Part No.	
B	6	43	107-81656	47	401-35589	51	400-38778	55	401-47918	
C	8	44	107-81755	48	401-35590	52	400-38776			
D	10	45	107-81854	49	400-38898	53	400-38774			
E	12	46	107-81953	50	400-95748	54	400-38772			

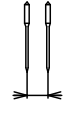


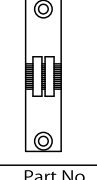
TABLE OF EXCHANGING GAUGE PARTS (FOR LU-2860,2860-7,2868-7)

No.	Parts No.	Parts name	Remarks	Level	Cons	Qty
1	40127004	THROAT_PLATE_S(3/16)				1
2	40127005	THROAT_PLATE_S(1/4)				1
3	40127006	THROAT_PLATE_S(5/16)				1
4	40127007	THROAT_PLATE_S(3/8)				1
5	40127023	THROAT_PLATE_S7(3/16)				1
6	40127024	THROAT_PLATE_S7(1/4)				1
7	40127025	THROAT_PLATE_S7(5/16)				1
8	40127026	THROAT_PLATE_S7(3/8)				1
9	40126146	FEED_DOG_S_(3/16)				1
10	40126147	FEED_DOG_S_(1/4)				1
11	40126148	FEED_DOG_S_(5/16)				1
12	40126149	FEED_DOG_S_(3/8)				1
13	21368154	NEEDLE CLAMP 3/16 ASM.				1
14	21368253	NEEDLE CLAMP 1/4 ASM.				1
15	21368352	NEEDLE CLAMP 5/16 ASM.				1
16	21368451	NEEDLE CLAMP 3/8 ASM.				1
17	21367651	PRESSER FOOT ASM. 3/16				1
18	21367750	PRESSER FOOT ASM. 1/4				1
19	21367859	PRESSER FOOT ASM. 5/16				1
20	21367958	PRESSER FOOT ASM. 3/8				1
21	21367156	WALKING FOOT 3/16 ASM.				1
22	21367255	WALKING FOOT 1/4 ASM.				1
23	21367354	WALKING FOOT 5/16 ASM.				1
24	21367453	WALKING FOOT 3/8 ASM.				1
25	40127056	SLIDE_PLATE_2860R				1
26	40147945	SLIDE_PLATE_2860R				1
27	40126976	THROAT_PLATE_E(6)				1
28	40126977	THROAT_PLATE_E(8)				1
29	40126978	THROAT_PLATE_E(10)				1
30	40126979	THROAT_PLATE_E(12)				1
31	40126986	THROAT_PLATE_E7(6)				1
32	40126987	THROAT_PLATE_E7(8)				1
33	40126988	THROAT_PLATE_E7(10)				1
34	40126989	THROAT_PLATE_E7(12)				1
35	40147951	THROAT_PLATE_60LA_6MM				1
36	40147952	THROAT_PLATE_60LA_8MM				1
37	40147953	THROAT_PLATE_60LA_10MM				1
38	40147954	THROAT_PLATE_60LA_12MM				1
39	40126142	FEED_DOG_(6MM)				1
40	40126143	FEED_DOG_(8MM)				1
41	40126144	FEED_DOG_E_(10MM)				1
42	40126145	FEED_DOG_E_(12MM)				1
43	10781656	PRESSER FOOT ASM. 6MM				1
44	10781755	PRESSER FOOT ASM. 8MM				1
45	10781854	PRESSER FOOT ASM.				1
46	10781953	PRESSER FOOT ASM. 12MM				1
47	40135589	WALKING_FOOT_ASM(6MM)				1

TABLE OF EXCHANGING GAUGE PARTS (FOR LU-2860,2860-7,2868-7)

Needle gauge size 針 幅	Throat plate 針 板				Feed dog 送 り 歯		Needle clamp asm. 針 留 め 組			
	LU-2860S		LU-2860S-7		LU-2860S,LU-2860S-7		LU-2860S,LU-2860S-7			
Code コード										
	inch	mm	No.	Part No.	No.	Part No.	No.	Part No.	No.	Part No.
D	3/16	4.8	1	401-27004	5	401-27023	9	401-26146	13	213-68154
F	1/4	6.4	2	401-27005	6	401-27024	10	401-26147	14	213-68253
H	5/16	7.9	3	401-27006	7	401-27025	11	401-26148	15	213-68352
K	3/8	9.5	4	401-27007	8	401-27026	12	401-26149	16	213-68451

Needle gauge size 針 幅	Presser foot asm. 押 え 足 組		Walking foot asm. 送 り 足 組		Slide plate 滑 り 板					
	LU-2860S,LU-2860S-7		LU-2860S,LU-2860S-7		LU-2860,LU-2860-7		LU-2868A-7			
Code コード										
	inch	mm	No.	Part No.	No.	Part No.	No.	Part No.	No.	Part No.
D	3/16	4.8	17	213-67651	21	213-67156	25	401-27056	26	401-47945
F	1/4	6.4	18	213-67750	22	213-67255				
H	5/16	7.9	19	213-67859	23	213-67354				
K	3/8	9.5	20	213-67958	24	213-67453				

Needle gauge size 針 幅	Throat plate 針 板				Feed dog 送 り 歯				
	LU-2860A		LU-2860A-7		LU-2868A-7				
Code コード									
	mm	No.	Part No.	No.	Part No.	No.	Part No.		
B	6	27	401-26976	31	401-26986	35	401-47951	39	401-26142
C	8	28	401-26977	32	401-26987	36	401-47952	40	401-26143
D	10	29	401-26978	33	401-26988	37	401-47953	41	401-26144
E	12	30	401-26979	34	401-26989	38	401-47954	42	401-26145

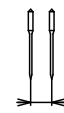
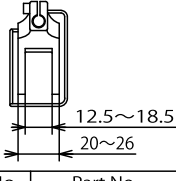
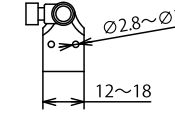

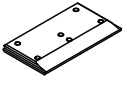
Needle gauge size 針 幅	Presser foot asm. 押 え 足 組		Walking foot asm. 送 り 足 組		Needle clamp asm. 針 留 め 組		Slide plate front 正面滑り板			
	LU-2860A,LU-2860A-7 LU-2868A-7		LU-2860A,LU-2860A-7 LU-2868A-7		LU-2860A,LU-2860A-7 LU-2868A-7		LU-2860A,LU-2860A-7 LU-2868A-7			
Code コード										
	mm	No.	Part No.	No.	Part No.	No.	Part No.	No.	Part No.	
B	6	43	107-81656	47	401-35589	51	400-38778	55	401-47918	
C	8	44	107-81755	48	401-35590	52	400-38776			
D	10	45	107-81854	49	400-38898	53	400-38774			
E	12	46	107-81953	50	400-95748	54	400-38772			

TABLE OF EXCHANGING GAUGE PARTS (FOR LU-2860,2860-7,2868-7)

No.	Parts No.	Parts name	Remarks	Level	Cons	Qty
48	40135590	WALKING_FOOT_ASM(8MM)				1
49	40038898	FEED FOOT(10MM 60L)ASM.				1
50	40095748	FEED_FOOT(12MM_60L)ASM.				1
51	40038778	NEEDLE CLAMP(6MM)ASM.				1
52	40038776	NEEDLE CLAMP(8MM)ASM.				1
53	40038774	NEEDLE CLAMP(10MM)ASM.				1
54	40038772	NEEDLE CLAMP(12MM)ASM.				1
55	40147918	SLIDE_PLATE_FRONT				1

TABLE OF EXCHANGING GAUGE PARTS SET

• LU-2860S,2860S-7

GAUGE SET ゲージセット			THROAT PLATE S 針板(糸切りなし)		THROAT PLATE S7 針板(糸切り有り)		FEED DOG 送り歯		NEEDLE CLAMP ASM. 針留め(組)		PRESSER FOOT ASM. 押え足(組)		FEED FOOT ASM. 送り足(組)	
No.	Part No.	Name	No.	Part No.	No.	Part No.	No.	Part No.	No.	Part No.	No.	Part No.	No.	Part No.
1	401-50791	GAUGE SET 3/16(NTC)	9	401-27004			17	401-26146	21	213-68154	25	213-67651	29	213-67156
2	401-50803	GAUGE SET 3/16(TC)			13	401-27023								
3	401-50792	GAUGE SET 1/4(NTC)	10	401-27005			18	401-26147	22	213-68253	26	213-67750	30	213-67255
4	401-50804	GAUGE SET 1/4(TC)			14	401-27024								
5	401-50793	GAUGE SET 5/16(NTC)	11	401-27006			19	401-26148	23	213-68352	27	213-67859	31	213-67354
6	401-50805	GAUGE SET 5/16(TC)			15	401-27025								
7	401-50794	GAUGE SET 3/8(NTC)	12	401-27007			20	401-26149	24	213-68451	28	213-67958	32	213-67453
8	401-50806	GAUGE SET 3/8(TC)			16	401-27026								

A slide plate is not contained in the contents of composition of a gauge set.
ゲージセットの構成内容に滑り板は含まれません

• LU-2860A,2860A-7

GAUGE SET ゲージセット			THROAT PLATE A 針板(糸切りなし)		THROAT PLATE A7 針板(糸切り有り)		FEED DOG 送り歯		NEEDLE CLAMP ASM. 針留め(組)		PRESSER FOOT ASM. 押え足(組)		FEED FOOT ASM. 送り足(組)	
No.	Part No.	Name	No.	Part No.	No.	Part No.	No.	Part No.	No.	Part No.	No.	Part No.	No.	Part No.
33	401-50762	GAUGE SET 6MM(NTC)	41	401-26976	45	401-26986	49	401-26142	53	400-38778	57	107-81656	61	401-35589
34	401-50777	GAUGE SET 6MM(TC)												
35	401-50763	GAUGE SET 8MM(NTC)	42	401-26977	46	401-26987	50	401-26143	54	400-38776	58	107-81755	62	401-35590
36	401-50778	GAUGE SET 8MM(TC)												
37	401-50764	GAUGE SET 10MM(NTC)	43	401-26978	47	401-26988	51	401-26144	55	400-38774	59	107-81854	63	400-38898
38	401-50779	GAUGE SET 10MM(TC)												
39	401-50765	GAUGE SET 12MM(NTC)	44	401-26979	48	401-26989	52	401-26145	56	400-38772	60	107-81953	64	400-95748
40	401-50780	GAUGE SET 12MM(TC)												

A slide plate is not contained in the contents of composition of a gauge set.
ゲージセットの構成内容に滑り板は含まれません

• LU-2868A-7

GAUGE SET ゲージセット			THROAT PLATE A 針板(糸切りなし)		THROAT PLATE A7 針板(糸切り有り)		FEED DOG 送り歯		NEEDLE CLAMP ASM. 針留め(組)		PRESSER FOOT ASM. 押え足(組)		FEED FOOT ASM. 送り足(組)	
No.	Part No.	Name	No.	Part No.	No.	Part No.	No.	Part No.	No.	Part No.	No.	Part No.	No.	Part No.
65	401-55973	GAUGE SET 6MM(P=12糸切り付き)	-	-	69	401-47951	49	401-26142	53	400-38778	57	107-81656	61	401-35589
66	401-55974	GAUGE SET 8MM(P=12糸切り付き)	-	-	70	401-47952	50	401-26143	54	400-38776	58	107-81755	62	401-35590
67	401-55975	GAUGE SET 10MM(P=12糸切り付き)	-	-	71	401-47953	51	401-26144	55	400-38774	59	107-81854	63	400-38898
68	401-55976	GAUGE SET 12MM(P=12糸切り付き)	-	-	72	401-47954	52	401-26145	56	400-38772	60	107-81953	64	400-95748

A slide plate is not contained in the contents of composition of a gauge set.
ゲージセットの構成内容に滑り板は含まれません

• LU-2868A-7

12MM to 9MM EXCHANGE GAGE SET 12mm→9mm交換ゲージセット			THROAT PLATE A 針板(糸切りなし)		THROAT PLATE A7 針板(糸切り有り)		FEED DOG 送り歯		NEEDLE CLAMP ASM. 針留め(組)		PRESSER FOOT ASM. 押え足(組)		FEED FOOT ASM. 送り足(組)		STOPPER PIN 送りダイヤルストップバーピン	
No.	Part No.	Name	No.	Part No.	No.	Part No.	No.	Part No.	No.	Part No.	No.	Part No.	No.	Part No.	No.	Part No.
73	401-55979	GAUGE SET 6MM(P=9交換糸切り付き)	-	-	45	401-26986	49	401-26142	53	400-38778	57	107-81656	61	401-35589		
74	401-55980	GAUGE SET 8MM(P=9交換糸切り付き)	-	-	46	401-26987	50	401-26143	54	400-38776	58	107-81755	62	401-35590		
75	401-55981	GAUGE SET 10MM(P=9交換糸切り付き)	-	-	47	401-26988	51	401-26144	55	400-38774	59	107-81854	63	400-38898		
76	401-55982	GAUGE SET 12MM(P=9交換糸切り付き)	-	-	48	401-26989	52	401-26145	56	400-38772	60	107-81953	64	400-95748	77	PH-0400062-C0

A 12mm to 9mm exchange gauge set becomes the composition of the [9mm gauge set] + [sending dial stopper pin].
12mm→9mm交換ゲージセットは[9mmのゲージセット]+[送りダイヤルストップバーピン]の構成になります。

A slide plate is not contained in the contents of composition of a gauge set.
ゲージセットの構成内容に滑り板は含まれません

• LU-2818A-7

12MM to 9MM EXCHANGE GAGE SET 12mm→9mm交換ゲージセット			THROAT PLATE 針板		STOPPER PIN 送りダイヤルストップバーピン	
No.	Part No.	Name	No.	Part No.	No.	Part No.
78	401-56013	P=9交換糸切り付き	79	401-26350	77	PH-0400062-C0

A 12mm to 9mm exchange gauge set becomes the composition of the [9mm throat plate] + [sending dial stopper pin].
12mm→9mm交換ゲージセットは[9mm針板]+[送りダイヤルストップバーピン]の構成になります。

A slide plate is not contained in the contents of composition of a gauge set.
ゲージセットの構成内容に滑り板は含まれません

TABLE OF EXCHANGING GAUGE PARTS SET

No.	Parts No.	Parts name	Remarks	Level	Cons	Qty
1	40150791	GAUGE_SET_3/16(NTC)				1
2	40150803	GAUGE_SET_3/16(TC)				1
3	40150792	GAUGE_SET_1/4(NTC)				1
4	40150804	GAUGE_SET_1/4(TC)				1
5	40150793	GAUGE_SET_5/16(NTC)				1
6	40150805	GAUGE_SET_5/16(TC)				1
7	40150794	GAUGE_SET_3/8(NTC)				1
8	40150806	GAUGE_SET_3/8(TC)				1
9	40127004	THROAT_PLATE_S(3/16)				1
10	40127005	THROAT_PLATE_S(1/4)				1
11	40127006	THROAT_PLATE_S(5/16)				1
12	40127007	THROAT_PLATE_S(3/8)				1
13	40127023	THROAT_PLATE_S7(3/16)				1
14	40127024	THROAT_PLATE_S7(1/4)				1
15	40127025	THROAT_PLATE_S7(5/16)				1
16	40127026	THROAT_PLATE_S7(3/8)				1
17	40126146	FEED_DOG_S_(3/16)				1
18	40126147	FEED_DOG_S_(1/4)				1
19	40126148	FEED_DOG_S_(5/16)				1
20	40126149	FEED_DOG_S_(3/8)				1
21	21368154	NEEDLE CLAMP 3/16 ASM.				1
22	21368253	NEEDLE CLAMP 1/4 ASM.				1
23	21368352	NEEDLE CLAMP 5/16 ASM.				1
24	21368451	NEEDLE CLAMP 3/8 ASM.				1
25	21367651	PRESSER FOOT ASM. 3/16				1
26	21367750	PRESSER FOOT ASM. 1/4				1
27	21367859	PRESSER FOOT ASM. 5/16				1
28	21367958	PRESSER FOOT ASM. 3/8				1
29	21367156	WALKING FOOT 3/16 ASM.				1
30	21367255	WALKING FOOT 1/4 ASM.				1
31	21367354	WALKING FOOT 5/16 ASM.				1
32	21367453	WALKING FOOT 3/8 ASM.				1
33	40150762	GAUGE_SET_6MM(NTC)				1
34	40150777	GAUGE_SET_6MM(TC)				1
35	40150763	GAUGE_SET_8MM(NTC)				1
36	40150778	GAUGE_SET_8MM(TC)				1
37	40150764	GAUGE_SET_10MM(NTC)				1
38	40150779	GAUGE_SET_10MM(TC)				1
39	40150765	GAUGE_SET_12MM(NTC)				1
40	40150780	GAUGE_SET_12MM(TC)				1
41	40126976	THROAT_PLATE_E(6)				1
42	40126977	THROAT_PLATE_E(8)				1
43	40126978	THROAT_PLATE_E(10)				1
44	40126979	THROAT_PLATE_E(12)				1
45	40126986	THROAT_PLATE_E7(6)				1
46	40126987	THROAT_PLATE_E7(8)				1
47	40126988	THROAT_PLATE_E7(10)				1

TABLE OF EXCHANGING GAUGE PARTS SET

• LU-2860S,2860S-7

GAUGE SET ゲージセット			THROAT PLATE S 針板(糸切りなし)		THROAT PLATE S7 針板(糸切り有り)		FEED DOG 送り歯		NEEDLE CLAMP ASM. 針留め(組)		PRESSER FOOT ASM. 押え足(組)		FEED FOOT ASM. 送り足(組)	
No.	Part No.	Name	No.	Part No.	No.	Part No.	No.	Part No.	No.	Part No.	No.	Part No.	No.	Part No.
1	401-50791	GAUGE SET 3/16(NTC)	9	401-27004			17	401-26146	21	213-68154	25	213-67651	29	213-67156
2	401-50803	GAUGE SET 3/16(NTC)			13	401-27023								
3	401-50792	GAUGE SET 1/4(NTC)	10	401-27005			18	401-26147	22	213-68253	26	213-67750	30	213-67255
4	401-50804	GAUGE SET 1/4(NTC)			14	401-27024								
5	401-50793	GAUGE SET 5/16(NTC)	11	401-27006			19	401-26148	23	213-68352	27	213-67859	31	213-67354
6	401-50805	GAUGE SET 5/16(NTC)			15	401-27025								
7	401-50794	GAUGE SET 3/8(NTC)	12	401-27007			20	401-26149	24	213-68451	28	213-67958	32	213-67453
8	401-50806	GAUGE SET 3/8(NTC)			16	401-27026								

A slide plate is not contained in the contents of composition of a gauge set.
ゲージセットの構成内容に滑り板は含まれません

• LU-2860A,2860A-7

GAUGE SET ゲージセット			THROAT PLATE A 針板(糸切りなし)		THROAT PLATE A7 針板(糸切り有り)		FEED DOG 送り歯		NEEDLE CLAMP ASM. 針留め(組)		PRESSER FOOT ASM. 押え足(組)		FEED FOOT ASM. 送り足(組)	
No.	Part No.	Name	No.	Part No.	No.	Part No.	No.	Part No.	No.	Part No.	No.	Part No.	No.	Part No.
33	401-50762	GAUGE SET 6MM(NTC)	41	401-26976	45	401-26986	49	401-26142	53	400-38778	57	107-81656	61	401-35589
34	401-50777	GAUGE SET 6MM(NTC)			42	401-26977								
35	401-50763	GAUGE SET 8MM(NTC)	42	401-26977	46	401-26987	50	401-26143	54	400-38776	58	107-81755	62	401-35590
36	401-50778	GAUGE SET 8MM(NTC)			43	401-26978								
37	401-50764	GAUGE SET 10MM(NTC)	43	401-26978	47	401-26988	51	401-26144	55	400-38774	59	107-81854	63	400-38898
38	401-50779	GAUGE SET 10MM(NTC)			44	401-26979								
39	401-50765	GAUGE SET 12MM(NTC)	44	401-26979	48	401-26989	52	401-26145	56	400-38772	60	107-81953	64	400-95748
40	401-50780	GAUGE SET 12MM(NTC)												

A slide plate is not contained in the contents of composition of a gauge set.
ゲージセットの構成内容に滑り板は含まれません

• LU-2868A-7

GAUGE SET ゲージセット			THROAT PLATE A 針板(糸切りなし)		THROAT PLATE A7 針板(糸切り有り)		FEED DOG 送り歯		NEEDLE CLAMP ASM. 針留め(組)		PRESSER FOOT ASM. 押え足(組)		FEED FOOT ASM. 送り足(組)	
No.	Part No.	Name	No.	Part No.	No.	Part No.	No.	Part No.	No.	Part No.	No.	Part No.	No.	Part No.
65	401-55973	GAUGE SET 6MM(P=12糸切り付き)	-	-	69	401-47951	49	401-26142	53	400-38778	57	107-81656	61	401-35589
66	401-55974	GAUGE SET 8MM(P=12糸切り付き)	-	-	70	401-47952	50	401-26143	54	400-38776	58	107-81755	62	401-35590
67	401-55975	GAUGE SET 10MM(P=12糸切り付き)	-	-	71	401-47953	51	401-26144	55	400-38774	59	107-81854	63	400-38898
68	401-55976	GAUGE SET 12MM(P=12糸切り付き)	-	-	72	401-47954	52	401-26145	56	400-38772	60	107-81953	64	400-95748

A slide plate is not contained in the contents of composition of a gauge set.
ゲージセットの構成内容に滑り板は含まれません

• LU-2868A-7

12MM to 9MM EXCHANGE GAGE SET 12mm→9mm交換ゲージセット			THROAT PLATE A 針板(糸切りなし)		THROAT PLATE A7 針板(糸切り有り)		FEED DOG 送り歯		NEEDLE CLAMP ASM. 針留め(組)		PRESSER FOOT ASM. 押え足(組)		FEED FOOT ASM. 送り足(組)		STOPPER PIN 送りダイヤルストップバービン	
No.	Part No.	Name	No.	Part No.	No.	Part No.	No.	Part No.	No.	Part No.	No.	Part No.	No.	Part No.	No.	Part No.
73	401-55979	GAUGE SET 6MM(P=9交換糸切り付き)	-	-	45	401-26986	49	401-26142	53	400-38778	57	107-81656	61	401-35589		
74	401-55980	GAUGE SET 8MM(P=9交換糸切り付き)	-	-	46	401-26987	50	401-26143	54	400-38776	58	107-81755	62	401-35590		
75	401-55981	GAUGE SET 10MM(P=9交換糸切り付き)	-	-	47	401-26988	51	401-26144	55	400-38774	59	107-81854	63	400-38898		
76	401-55982	GAUGE SET 12MM(P=9交換糸切り付き)	-	-	48	401-26989	52	401-26145	56	400-38772	60	107-81953	64	400-95748	77	PH-0400062-C0

A 12mm to 9mm exchange gauge set becomes the composition of the [9mm gauge set] + [sending dial stopper pin].
12mm→9mm交換ゲージセットは[9mmのゲージセット]+[送りダイヤルストップバービン]の構成になります。

A slide plate is not contained in the contents of composition of a gauge set.
ゲージセットの構成内容に滑り板は含まれません

• LU-2818A-7

12MM to 9MM EXCHANGE GAGE SET 12mm→9mm交換ゲージセット			THROAT PLATE 針板		STOPPER PIN 送りダイヤルストップバービン	
No.	Part No.	Name	No.	Part No.	No.	Part No.
78	401-56013	P=9交換糸切り付き	79	401-26350	77	PH-0400062-C0

A 12mm to 9mm exchange gauge set becomes the composition of the [9mm throat plate] + [sending dial stopper pin].
12mm→9mm交換ゲージセットは[9mm針板]+[送りダイヤルストップバービン]の構成になります。

A slide plate is not contained in the contents of composition of a gauge set.
ゲージセットの構成内容に滑り板は含まれません

TABLE OF EXCHANGING GAUGE PARTS SET

No.	Parts No.	Parts name	Remarks	Level	Cons	Qty
48	40126989	THROAT_PLATE_E7(12				1
49	40126142	FEED_DOG_(6MM)				1
50	40126143	FEED_DOG_(8MM)				1
51	40126144	FEED_DOG_E_(10MM)				1
52	40126145	FEED_DOG_E_(12MM)				1
53	40038778	NEEDLE_CLAMP(6MM)ASM.				1
54	40038776	NEEDLE_CLAMP(8MM)ASM.				1
55	40038774	NEEDLE_CLAMP(10MM)ASM.				1
56	40038772	NEEDLE_CLAMP(12MM)ASM.				1
57	10781656	PRESSER FOOT ASM. 6MM				1
58	10781755	PRESSER FOOT ASM. 8MM				1
59	10781854	PRESSER FOOT ASM.				1
60	10781953	PRESSER FOOT ASM. 12MM				1
61	40135589	WALKING_FOOT_ASM(6MM)				1
62	40135590	WALKING_FOOT_ASM(8MM)				1
63	40038898	FEED FOOT(10MM 60L)ASM.				1
64	40095748	FEED_FOOT(12MM_60L)ASM.				1
65	40155973	GAUGE_SET_6MM(P=12_TC)				1
66	40155974	GAUGE_SET_8MM(P=12_TC)				1
67	40155975	GAUGE_SET_10MM(P=12_TC)				1
68	40155976	GAUGE_SET_12MM(P=12_TC)				1
69	40147951	THROAT_PLATE_60LA_6MM				1
70	40147952	THROAT_PLATE_60LA_8MM				1
71	40147953	THROAT_PLATE_60LA_10MM				1
72	40147954	THROAT_PLATE_60LA_12MM				1
73	40155979	EXCHANGE_GAUGE_SET_6MM(P=9_TC)				1
74	40155980	EXCHANGE_GAUGE_SET_8MM(P=9_TC)				1
75	40155981	EXCHANGE_GAUGE_SET_10MM(P=9_TC)				1
76	40155982	EXCHANGE_GAUGE_SET_12MM(P=9_TC)				1
77	PH0400062C0	PIN				1
78	40156013	EXCHANGE_GAUGE_SET_1N(P=9_TC)				1
79	40126350	THROAT_PLATE_2810				1

TABLE OF OPTIONAL GAUGE PARTS

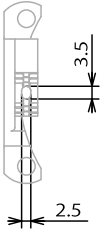
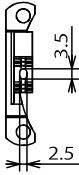
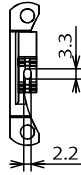
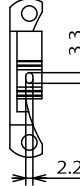
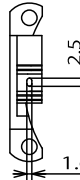
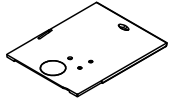
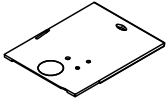
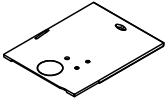
Item 品名	LU-2810S,S-7	LU-2810A,A-7	LU-2818A-7	LU-2868A-7		
Feed dog 送り歯						
		No.	Part No.		No.	Part No.
		2	401-33273		3	401-33272
			Without groove. 溝なし			
		No.	Part No.			
		4	107-17205			
	For fine yarn 細糸用					
No.	Part No.	No.	Part No.			
1	401-33271	5	107-17304			
Item 品名	LU-2810S,S-7	LU-2810A,A-7	LU-2818A-7	LU-2868A-7		
Slide plate (With a window) 滑り板 (窓付)						
	No.	Part No.	No.	Part No.	No.	Part No.
6	401-33312	7	401-55087	8	401-56017	

TABLE OF OPTIONAL GAUGE PARTS

No.	Parts No.	Parts name	Remarks	Level	Cons	Qty
1	40133271	FEED_DOG_S(2.5X3.5)				1
2	40133273	FEED_DOS_E(2.5X3.5)				1
3	40133272	FEED_DOS_E(2.2X3.3)				1
4	10717205	FEED DOG,W10 GROOVE				1
5	10717304	FEED DOG (THIN THREAD)				1
6	40133312	SLIDE_PLATE_2810-7R_ASM				1
7	40155087	SLIDE_PLATE_1N_ASM				1
8	40156017	SLIDE_PLATE_2N_ASM				1

TABLE OF OPTIONAL GAUGE PARTS (FOR LU-2810S,2810S-7)

For piping パイピング用					Right-edge presser 右片押え					
		Feed foot 送り足		Presser foot asm. 押え足 (組)				Presser foot asm. 押え足 (組)		
Size(mm)		No.	Part No.	No.	Part No.	No.	Part No.	No.	Part No.	
Ø4.8mm(3/16)		1	B1478-245-000	2	B1530-245-0AD	20	B1476-245-00A	21	B1529-245-0AA	
Ø6.4mm(1/4)				3	B1530-245-0AF	Left-edge presser 左片押え				
Ø7.9mm(5/16)				4	B1530-245-0AH					
Ø9.5mm(3/8)				5	B1530-245-0AK					
Size(mm)		No.	Part No.	No.	Part No.	No.	Part No.	No.	Part No.	
Ø4.8mm(3/16)		6	B1479-245-00D	9	B1531-245-0AD	22	103-38309	23	B1525-563-5A0	
Ø6.4mm(1/4)		7	B1479-245-00F	10	B1531-245-0AF	Slit スリット入り				
Ø7.9mm(5/16)		8	B1479-245-00H	11	B1531-245-0AH					
Ø9.5mm(3/8)		-	-	-	-					
Size(mm)		No.	Part No.	No.	Part No.	No.	Part No.	No.	Part No.	
Ø4.8mm(3/16)		12	B1474-245-00D	16	B1527-245-0AD	24	B1470-245-000	25	B1524-245-0A0	
Ø6.4mm(1/4)		13	B1474-245-00F	17	B1527-245-0AF	For binding テープ付け用				
Ø7.9mm(5/16)		14	B1474-245-00H	18	B1527-245-0AH					
Ø9.5mm(3/8)		15	B1474-245-00K	19	B1527-245-0AK					
Size(mm)		No.	Part No.	No.	Part No.	No.	Part No.	No.	Part No.	
Ø4.8mm(3/16)		26	MAQ-09307000			27	MAN-10452000	28	MAQ-093080A0	
Ø6.4mm(1/4)										

TABLE OF OPTIONAL GAUGE PARTS (FOR LU-2810S,2810S-7)

No.	Parts No.	Parts name	Remarks	Level	Cons	Qty
1	B1478245000	INNER PRESSER				1
2	B15302450AD	OUTER PRESSER FOOT ASM.,3/16.				1
3	B15302450AF	OUTER PRESSER FOOT 1/4 ASM.				1
4	B15302450AH	OUTER PRESSER FOOT ASM. (5/16)				1
5	B15302450AK	OUTER PRESSER FOOT ASM. (3/8)				1
6	B147924500D	CENTER PRESSER FOOT 3/16				1
7	B147924500F	BACK CUT INNER PRESSER 1/4				1
8	B147924500H	BACK CUT INNER PRESSER 5/16				1
9	B15312450AD	OUTER PRESSER FOOT ASM. 3116				1
10	B15312450AF	OUTER PRESSER ASM., 1/4				1
11	B15312450AH	FEEDING FRAME 5/16 ASM.				1
12	B147424500D	INNER PRESSER (BLADE) 3/16				1
13	B147424500F	WALKING FOOT, F				1
14	B147424500H	INNER PRESSER 5/16				1
15	B147424500K	CENTER PRESSER FOOT 3/8				1
16	B15272450AD	FEEDING FRAME 3/16 ASM.				1
17	B15272450AF	OUTER PRESSER ASM., 1/4				1
18	B15272450AH	OUTER PRESSER FOOT ASM. 5/16				1
19	B15272450AK	OUTER PRESSER FOOT ASM.3/8				1
20	B147624500A	INNER PRESSER				1
21	B15292450AA	OUTER PRESSER FOOT ASM., RIGHT				1
22	10338309	UPPER FEED FOOT				1
23	B1525563SA0	PRESSER FOOT ASM.				1
24	B1470245000	WALKING FOOT				1
25	B15242450A0	PRESSER FOOT ASM.				1
26	MAQ09307000	WALKING FOOT				1
27	MAN10452000	UPPER FEED FOOT				1
28	MAQ093080A0	PRESSER FOOT ASM.				1

TABLE OF OPTIONAL GAUGE PARTS (FOR LU-2810A,2810A-7,2818A-7)

For piping パイピング用				
Feed foot asm. 送り足 (組)		Presser foot asm. 押え足 (組)		
Size(mm)	No.	Part No.	No.	Part No.
Ø3mm	1	107-45354	5	107-47350
Ø4mm	2	107-45453	6	107-47459
Ø5mm	3	107-45552	7	107-47558
Ø6mm	4	107-45651	8	107-47657
Adjustment type 調整式				
Size(mm)	No.	Part No.	No.	Part No.
Ø3mm	9	107-46352	5	107-47350
Ø4mm	10	107-46451	6	107-47459
Ø5mm	11	107-46550	7	107-47558
Ø6mm	12	107-46659	8	107-47657

For urethane ウレタン用				
Feed foot asm. 送り足 (組)		Presser foot asm. 押え足 (組)		
For light-weight urethane 薄いウレタン用 				
No.	Part No.			
13	107-11653			
For light-weight urethane 薄いウレタン用 				
No.	Part No.			
14	107-12354			
For heavy-weight urethane 厚いウレタン用 				
No.	Part No.	No.	Part No.	
15	107-11752	16	107-12750	

Right-edge presser 右片押え			
Feed foot asm. 送り足 (組)		Presser foot asm. 押え足 (組)	
No.	Part No.	No.	Part No.
17	107-11851	18	107-12859
Left-edge presser 左片押え			
No.	Part No.	No.	Part No.
19	107-11950	20	107-12958
Wide type 幅広タイプ			
No.	Part No.	No.	Part No.
21	107-12057	22	107-13055
Control area smallness 押え面積小			
No.	Part No.		
13	107-11653		
No.	Part No.		
14	107-12354	23	107-58456
For overlapped sections of material 段部用			
No.	Part No.		
13	107-11653		
No.	Part No.		
14	107-12354	24	107-12651

TABLE OF OPTIONAL GAUGE PARTS (FOR LU-2810A,2810A-7,2818A-7)

No.	Parts No.	Parts name	Remarks	Level	Cons	Qty
1	10745354	FEEDING FOOT (PIPING) 3MM				1
2	10745453	FEEDING FOOT (PIPING) 4MM				1
3	10745552	FEEDING FOOT (PIPING) 5MM				1
4	10745651	FEEDING FOOT (PIPING) 6MM				1
5	10747350	PRESSER FOOT (PIPING) 3MM				1
6	10747459	PRESSER FOOT (PIPING) 4MM				1
7	10747558	PRESSER FOOT (PIPING) 5MM				1
8	10747657	PIPING FOOT 6MM				1
9	10746352	FEEDING FOOT (PIPING) 3MM ADJUSTABL ASM.				1
10	10746451	FEEDING FOOT (PIPING) 4MM ADJUSTABL ASM.				1
11	10746550	FEEDING FOOT (PIPING) 5MM ADJUSTABL ASM.				1
12	10746659	FEEDING FOOT (PIPING) 6MM ADJUSTABL ASM.				1
13	10711653	FEED FOOT ASM.				1
14	10712354	FEED FOOT ASM.				1
15	10711752	FEEDING FOOT (URETHANE)				1
16	10712750	PRESSER FOOT, URETHANE				1
17	10711851	FEEDING FOOT ASM. RIGHT				1
18	10712859	FEEDING FOOT, RIGHT				1
19	10711950	FEEDING FOOT ASM.,LEFT				1
20	10712958	PRESSER FOOT,LEFT				1
21	10712057	FEED FOOT ASM.				1
22	10713055	FEED FOOT ASM.				1
23	10758456	PRESSER FOOT ASM.				1
24	10712651	PRESSER FOOT ASM				1

TABLE OF OPTIONAL GAUGE PARTS (FOR LU-2860S,2860S-7)


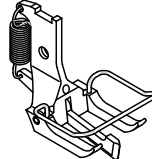

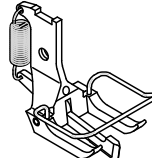
For center guide センターガイド用					
		Feed foot asm. 送り足 (組)		Presser foot asm. 押え足 (組)	
					
Size(mm)	No.	Part No.	No.	Part No.	
5/16	1	213-72552	3	213-74657	
3/8	2	213-72651	4	213-74756	
					
		Slit スリット入り			
Size(mm)	No.	Part No.	No.	Part No.	
5/16	5	213-73758	3	213-74657	
3/8	6	213-73857	4	213-74756	

TABLE OF OPTIONAL GAUGE PARTS (FOR LU-2860S,2860S-7)

No.	Parts No.	Parts name	Remarks	Level	Cons	Qty
1	21372552	WALKING FOOT 5/16 ASM.				1
2	21372651	WALKING FOOT 3/8 ASM.				1
3	21374657	PRESSER FOOT 5/16 ASM.				1
4	21374756	PRESSER FOOT 3/8 ASM.				1
5	21373758	WALKING FOOT ASM. 5/16				1
6	21373857	WALKING FOOT 3/8 ASM.				1

TABLE OF OPTIONAL GAUGE PARTS (FOR LU-2860A,2860A-7,2868A-7)


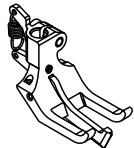
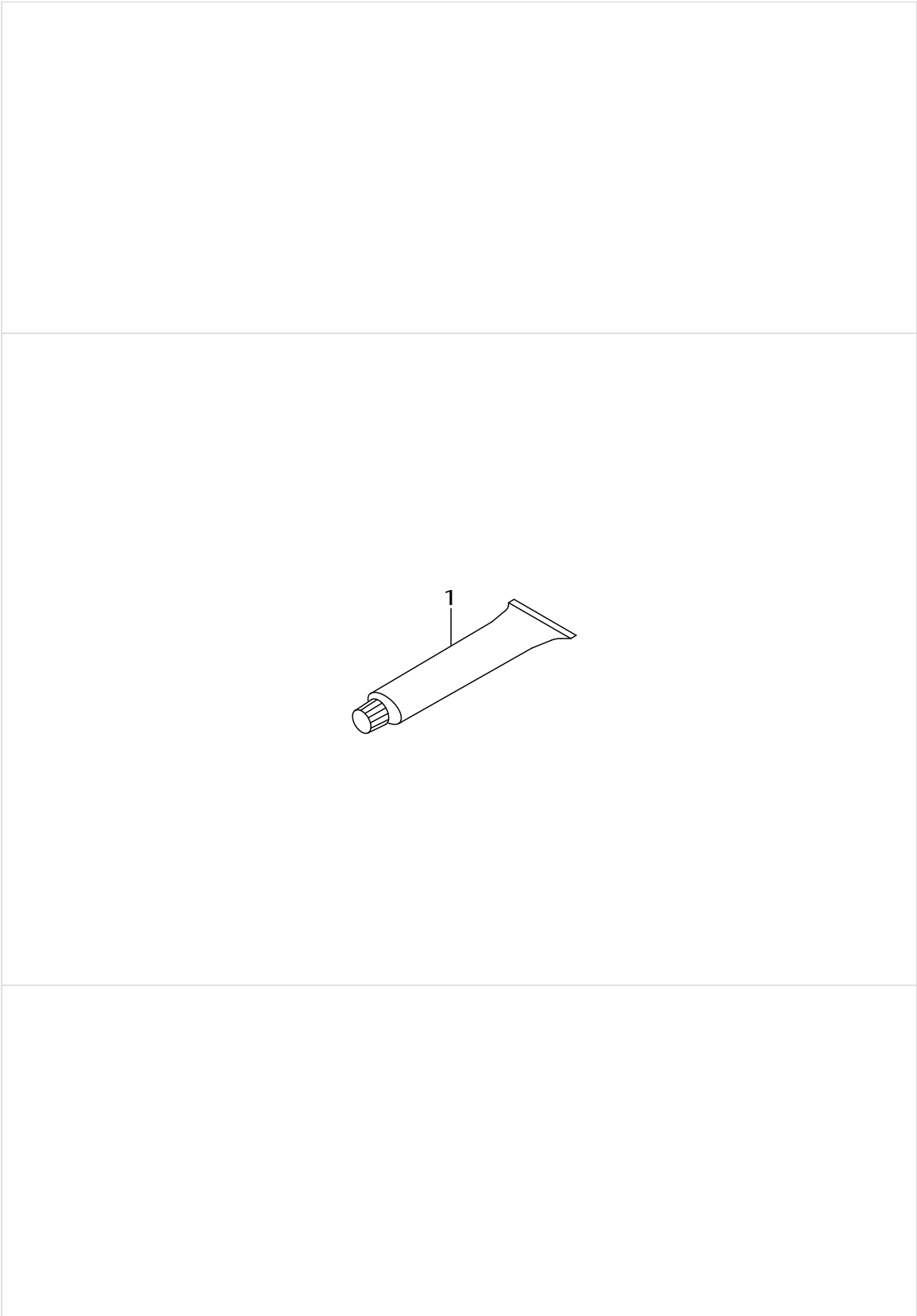
For center guide センターガイド用					
		Feed foot asm. 送り足 (組)		Presser foot asm. 押え足 (組)	
					
Size(mm)	No.	Part No.	No.	Part No.	
10mm	1	400-39271	3	400-38806	
12mm	2	400-95750	4	400-38802	

TABLE OF OPTIONAL GAUGE PARTS (FOR LU-2860A,2860A-7,2868A-7)

No.	Parts No.	Parts name	Remarks	Level	Cons	Qty
1	40039271	FEED FOOT FOR GUIDE(10MM 60L)ASM.				1
2	40095750	FEED_FOOT_FOR_GUIDE(12MM_60L)ASM.				1
3	40038806	PRESSERFOOTWITHGUIDE(10MM)ASM.				1
4	40038802	PRESSERFOOTWITHGUIDE(12MM)ASM.				1

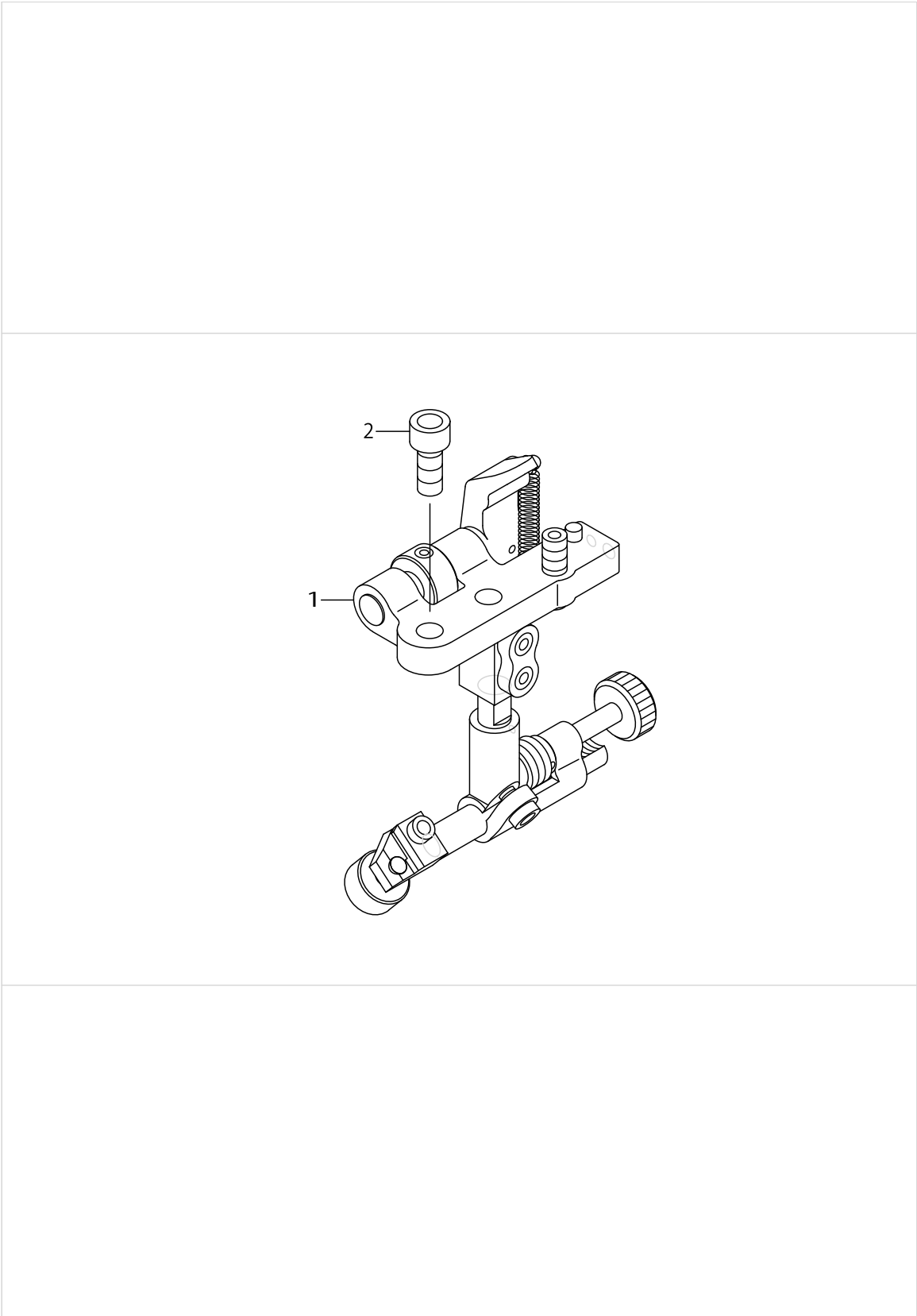
GREASE COMPONENTS (OPTIONAL PARTS)



GREASE COMPONENTS (OPTIONAL PARTS)

No.	Parts No.	Parts name	Remarks	Level	Cons	Qty
1	40006323	JUKI GREASE A TUBE				1

SUSPENSION SQUARE COMPONENTS (OPTIONAL PARTS)



SUSPENSION SQUARE COMPONENTS (OPTIONAL PARTS)

No.	Parts No.	Parts name	Remarks	Level	Cons	Qty
1	MAH152010A0	RULER				1
2	SM6061402TP	SCREW M6 L=14				2

HOW TO MAKE USE OF THIS PARTS LIST

1.Explanation of codes

1)"*"mark.....means this part is changed from the previous parts book.

As to the details of the change, refer to the "List for information of change".

2)"#01".....refer to "Note" explanation at bottom of page.

2.Codes on the "Qty" column

- Each numeral indicates the number of parts required.
- "0.1" and "2.5" indicate the length (in meters) of the respective parts.

3.Parentheses mean that the corresponding part is a subpart that constructs an assembly part.

4.Dotted lines on the Figures indicate assembly parts.

5.As to the parts with marks of "☆"(consumable parts) and "◎"(optional parts)on the respective parts, it is recommended to prepare spares.

1 ."注記"欄の記号説明

1) "*"印.....前回のパーツブックに比較して今回変更された部品を意味します。

変更内容は、"変更情報リスト"を参照してください。

2) "#01".....ページ下の"注記"の説明を参照してください。

2.数量欄の数字は、個数を表し、0.1、2.5等の数値は、長さ（単位メートル）を表します。

3.数量欄の（ ）は、組部品を構成している子部品であることを意味します。

4.イラストページの-----枠は、組構成であることを意味します。

5.リストページの"☆"（消耗部品）、"◎"（オプション部品）の印がついた部品は、予備を準備しておくことをお奨めします。

NUMERICAL INDEX OF PARTS

PART NO	PAGE	REF NO.	PART NO	PAGE	REF NO.	PART NO	PAGE	REF NO.
10308609	12	47~49	10781755	106	58	21350152	98	12
10320109	68	25	10781854	100	45	21367156	100	21
10338309	110	22	10781854	106	59	21367156	104	29
10539906	96	5	10781953	100	46	21367255	100	22
10546901	6	37	10781953	106	60	21367255	104	30
10697506	68	14	11015906	82	69	21367354	100	23
10697506	70	4	11015906	86	63	21367354	104	31
10697605	70	3	12210803	82	74	21367453	100	24
10710804	28	3	12210803	86	86	21367453	104	32
10711653	98	10	12288908	40	70·76	21367651	100	17
10711653	112	13	12938304	68	17	21367651	104	25
10711752	112	15	12938304	70	7	21367750	100	18
10711851	112	17	13142609	80	66	21367750	104	26
10711950	112	19	13142609	82	66	21367859	100	19
10712057	112	21	13142609	84	48	21367859	104	27
10712354	98	11	13142609	86	48	21367958	100	20
10712354	112	14	13409107	34	10	21367958	104	28
10712552	98	13	13424502	44	70	21368154	12	50
10712651	112	24	13424502	46	31	21368154	100	13
10712750	112	16	13518501	42	6	21368154	104	21
10712859	112	18	13718507	78	16	21368253	100	14
10712958	112	20	13765607	80	13	21368253	104	22
10713055	112	22	13765607	86	52	21368352	100	15
10715704	46	62	13817408	68	18	21368352	104	23
10715704	48	62	13817408	70	6	21368451	100	16
10717205	108	4	13860408	76	18	21368451	104	24
10717304	108	5	13951009	34	22	21372552	114	1
10721504	6	39	18035006	44	67·68	21372651	114	2
10740900	96	24	18035006	48	85·86	21373758	114	5
10745354	112	1	18035105	44	67·68	21373857	114	6
10745453	112	2	18035105	48	85·86	21374657	114	3
10745552	112	3	18035303	34	13	21374756	114	4
10745651	112	4	18035501	50	6	21387600	16	52
10746352	112	9	18035709	52	23	21387709	16	53
10746451	112	10	18035709	66	19	21387808	16	54
10746550	112	11	18035907	54	12	21387907	16	55
10746659	112	12	18053900	42	9	21389309	62	69·70
10747350	112	5	21333901	16	66	21389408	60	24~27
10747459	112	6	21334800	22	43·44	21413158	96	3
10747558	112	7	21334800	96	1·2	21451406	10	10~14
10747657	112	8	21338405	10	10~14	22528509	68	40
10758456	112	23	21338504	12	47~49	22528509	70	45
10781656	100	43	21343108	94	13	22606206	10	32~39
10781656	106	57	21343157	94	11	22606305	10	32~39
10781755	100	44	21350152	30	74	22606404	10	32~39

NUMERICAL INDEX OF PARTS

PART NO	PAGE	REF NO.	PART NO	PAGE	REF NO.	PART NO	PAGE	REF NO.
22607600	10	32~39	22934509	94	14	23630601	84	31
22607709	10	32~39	22934707	94	10	23630650	80	27
22607808	10	32~39	22935308	80	12·26	23630650	84	27
22607907	10	32~39	22935308	84	8·26	23631708	52	27
22617609	70	11	22945703	68	30	23631708	54	16
22617708	70	12	22945703	70	35	23631807	52	28
22617807	68	16	22945802	68	33	23631807	54	17
22617807	70	13	22945802	70	40	23631906	52	29
22618201	68	7	22949101	34	17	23631906	54	18
22618201	70	14	22951552	2	26	23632102	52	25
22618300	70	15	22954309	68	2	23632102	54	14
22618706	68	24	22954309	72	49	23638406	58	2
22618706	70	16	22956205	60	3·4	23639503	36	23
22618805	70	17	22957104	60	5·6	26017400	40	71
22618904	70	18	22957203	60	7·8	26018705	40	62
22901805	2	6	22958300	96	4	26229302	42	28
22902506	2	16	22963409	68	31	26229302	48	53
22904106	38	35	22963409	70	36	26231902	62	64
22904155	30	52	23600505	2	28·55	26231902	86	54
22904155	38	34	23605207	6	46	26260109	78	2
22911804	42	41	23613409	42	24	26260307	78	3
22911804	46	61	23613409	46	23	26260406	78	4
22911804	48	61	23628357	80	23	26260505	78	6
22912000	42	42	23628357	84	23	26260802	78	8
22912109	42	43	23629306	96	9	26261008	78	9
22912257	68	1	23629405	80	86	26261503	78	11
22912257	70	47	23629405	82	86	32055501	74	6
22913008	30	75	23629405	84	99	40006323	118	1
22913008	38	5	23629405	88	99	40006716	34	2
22917009	60	1·2	23630007	42	17	40010298	20	18
22921308	78	32	23630007	46	13	40010437	6	22
22921407	78	31	23630007	80	76	40010438	6	23
22921506	68	22	23630007	82	76	40010439	6	24
22921506	70	25	23630007	84	88	40010440	6	25
22921506	78	28	23630007	86	88	40010533	6	42
22921704	78	29	23630106	80	11·83	40010534	6	43
22923908	86	49	23630106	82	11·83	40010535	6	44
22926208	96	15	23630106	84	7·96	40010709	10	1
22932107	36	11	23630106	86	7·96	40011327	42	23
22932156	36	10	23630106	88	7·96	40011902	6	31
22932404	94	9	23630403	80	28	40013595	80	36
22932453	94	8	23630403	84	28	40013595	84	36
22934202	94	16	23630502	80	29	40023627	28	21
22934301	94	17	23630502	84	29	40026457	8	48
22934400	94	15	23630601	80	31	40028116	8	9·52

NUMERICAL INDEX OF PARTS

PART NO	PAGE	REF NO.	PART NO	PAGE	REF NO.	PART NO	PAGE	REF NO.
40028294	80	21	40079900	24	53	40094561	2	42
40028294	84	9	40079901	22	31	40095748	102	50
40032804	80	34	40079902	22	55	40095748	106	64
40032804	84	45	40079902	24	55	40095750	116	2
40033825	42	26	40079903	22	56	40096325	90	14
40033825	46	24	40079903	24	56	40096325	92	21
40034674	2	10	40079904	22	34	40096326	90	17
40034675	2	9	40079905	22	35	40096326	92	19
40036167	80	24	40079909	22	60	40096327	90	19
40036167	84	24	40079909	24	60	40096327	92	18
40038494	28	35	40079912	22	65	40101713	80	47
40038494	38	33-77	40079912	24	65	40101713	84	16
40038772	102	54	40082078	36	17	40101714	82	53
40038772	106	56	40084142	2	30	40101714	84	22
40038774	102	53	40085784	90	2	40101715	80	43
40038774	106	55	40085784	92	12	40101715	84	12
40038776	102	52	40085785	90	3	40101716	80	44
40038776	106	54	40085785	92	6	40101716	84	13
40038778	12	52	40085786	90	4	40101717	80	45
40038778	102	51	40085786	92	17	40101717	84	14
40038778	106	53	40085787	90	5	40101719	80	41
40038802	116	4	40085787	92	2	40101719	84	10
40038806	116	3	40085788	90	6	40101721	80	40
40038898	102	49	40085788	92	16	40101721	84	40
40038898	106	63	40085789	90	7	40102087	96	6
40039271	116	1	40085789	92	15	40102249	80	42
40042716	2	11	40085790	90	8	40102249	84	11
40048536	96	25	40085790	92	14	40102261	2	4
40052254	54	4	40085791	90	9	40105508	56	1
40069741	80	17	40085791	92	13	40105509	56	4
40075542	22	59	40085792	90	10	40105510	56	2
40075542	24	59	40085792	92	7	40106576	90	31
40075547	22	63	40085793	90	11	40106576	92	10
40075547	24	63	40085793	92	5	40106579	90	26
40075548	22	64	40085794	90	12	40106579	92	11
40075548	24	64	40085794	92	4	40106580	90	30
40077931	44	58	40085795	90	13	40106580	92	9
40077931	48	74	40085795	92	3	40106582	90	25
40079298	96	23	40085796	90	16	40106582	92	8
40079896	22	26	40085796	92	20	40106584	92	1
40079898	22	51	40086018	34	24	40112087	6	1-19
40079898	24	51	40086679	74	15	40112088	6	1-19
40079899	22	52	40088958	78	27	40112091	6	27
40079899	24	52	40088959	78	30	40112092	6	28
40079900	22	53	40090058	28	17	40112093	6	29

NUMERICAL INDEX OF PARTS

PART NO	PAGE	REF NO.	PART NO	PAGE	REF NO.	PART NO	PAGE	REF NO.
40112094	6	30	40112228	66	9	40123247	14	46
40112098	38	11	40112230	60	13~16	40123248	62	75·76
40112106	6	5	40112232	60	28·29	40123252	38	29
40112118	38	18	40112233	62	73·74	40123262	28	28
40112127	36	9	40112234	62	71·72	40123319	28	27
40112127	42	11	40112235	60	17·18	40123320	28	29
40112127	48	49	40112240	16	49	40123321	28	30
40112128	42	12·13	40112242	14	38·39	40123332	38	27
40112136	52	1	40112246	80	15	40123340	14	11·12
40112137	52	2	40112246	86	53	40123345	30	72
40112137	66	2	40112252	20	31·36	40123345	40	67
40112138	52	3	40112253	14	3	40123346	40	68·75
40112138	66	3	40112267	44	55	40123414	28	39
40112140	52	5	40112270	10	27	40123416	28	38
40112140	66	5	40112271	10	28·29	40123428	16	85
40112149	52	6	40112272	10	28·29	40123547	38	16
40112149	66	6	40112273	10	21~23	40123555	28	40
40112150	52	7	40112274	6	10	40123626	38	14
40112152	10	19	40112277	2	45	40123627	38	24
40112176	28	4	40112281	42	14	40123628	42	19
40112184	34	3	40112282	42	15·16	40123629	38	17·73
40112187	34	14	40112285	74	11	40123634	28	20
40112188	34	15	40112288	52	24	40123634	38	19
40112191	50	7	40112288	54	13	40123639	38	26
40112192	50	11	40112293	38	30	40123666	38	1
40112197	30	47	40112296	94	19	40123667	38	4
40112199	30	48	40112299	6	20	40123668	38	23
40112204	68	9	40112312	6	3	40125843	38	13
40112204	70	19	40112313	94	21	40125844	78	25
40112211	98	3	40112314	94	20	40125845	14	1·2
40112212	98	1	40112318	80	14	40125846	14	1·2
40112213	52	26	40112318	86	81	40125847	16	80·81
40112213	54	15	40112320	80	1	40125848	16	80·81
40112214	96	40	40112320	84	1	40125850	30	50
40112215	56	3	40113224	16	61	40125851	78	7
40112216	56	5	40116455	82	48	40125852	28	8
40112218	68	10	40116455	84	17	40125854	28	9
40112218	70	20	40116456	82	49	40125856	38	22
40112219	68	11	40116456	84	18	40125857	38	25
40112219	70	21	40116457	82	50	40125858	42	44
40112224	4	49	40116457	84	19	40125858	48	64
40112224	98	15	40116458	82	51	40125859	20	16
40112225	4	50	40116458	84	20	40125860	28	15·16
40112225	98	17	40116459	82	52	40125861	28	15·16
40112228	52	9	40116459	84	21	40125862	16	56

NUMERICAL INDEX OF PARTS

PART NO	PAGE	REF NO.	PART NO	PAGE	REF NO.	PART NO	PAGE	REF NO.
40125864	42	22	40126146	100	9	40126356	36	3
40125867	28	22	40126146	104	17	40126357	38	12
40125868	30	86	40126147	100	10	40126359	40	66
40125869	96	12	40126147	104	18	40126360	20	15
40125872	52	4	40126148	100	11	40126361	20	7
40125872	66	4	40126148	104	19	40126362	42	12·13
40125873	68	4	40126149	100	12	40126363	42	1
40125873	72	51	40126149	104	20	40126363	46	1
40125876	30	71	40126150	34	4	40126364	34	6
40125877	30	85	40126151	38	15	40126365	14	42
40125879	60	9~12	40126155	94	1	40126366	16	57
40125919	42	3	40126157	30	69	40126367	34	1
40125920	42	39	40126158	30	70	40126372	14	37
40125925	98	8	40126159	30	68	40126374	28	45
40125926	30	46	40126160	28	31	40126375	38	21
40125927	78	13	40126161	38	7	40126381	14	6·7
40125928	78	24	40126166	28	12	40126382	16	78·79
40125929	80	35	40126221	2	32	40126386	38	6
40125929	84	35	40126222	96	20	40126390	28	32
40125930	6	32	40126223	28	34	40126391	20	12·13
40125934	42	2	40126244	6	8·26	40126399	22	22·23
40125935	40	65	40126259	58	4	40126400	30	49
40125936	28	10·11	40126260	58	1	40126401	38	10
40125937	28	10·11	40126263	74	3	40126402	10	5~9
40125939	6	35·36	40126264	28	37	40126403	10	5~9
40125943	28	18	40126265	68	3	40126404	68	12
40125948	74	2	40126265	72	50	40126405	96	7
40125949	74	4	40126267	96	8	40126454	16	84
40125950	6	6	40126269	28	36	40126455	16	82
40126116	42	20	40126270	36	1	40126543	94	3
40126116	46	15	40126271	36	2	40126545	76	5·15
40126127	76	11	40126272	36	6	40126546	62	19·67
40126128	76	4·16	40126273	36	7	40126547	20	12·13
40126129	52	31	40126274	36	8	40126549	78	23
40126129	54	20	40126311	78	14	40126550	78	12
40126130	62	66	40126321	6	9·52	40126555	42	15·16
40126131	58	5	40126338	28	33	40126557	70	22
40126142	100	39	40126339	38	28	40126560	94	18
40126142	106	49	40126349	2	38	40126561	42	5
40126143	100	40	40126349	98	2	40126562	74	14
40126143	106	50	40126350	98	4	40126563	74	13
40126144	100	41	40126350	106	79	40126582	82	82
40126144	106	51	40126351	20	33	40126582	86	95
40126145	100	42	40126354	78	10	40126582	88	95
40126145	106	52	40126355	78	1	40126594	78	5

NUMERICAL INDEX OF PARTS

PART NO	PAGE	REF NO.	PART NO	PAGE	REF NO.	PART NO	PAGE	REF NO.
40126642	42	46	40127056	100	25	40133655	66	7
40126642	48	66	40127345	16	89	40133730	96	30
40126643	42	47	40129984	46	3	40133826	46	38
40126643	48	68	40129985	48	65	40134105	46	12
40126724	68	13	40129986	46	2	40134528	46	5
40126724	70	23	40129988	46	4	40134532	6	35·36
40126976	100	27	40129991	48	50	40134545	6	33·34
40126976	104	41	40129995	4	24·56	40134805	4	53
40126977	100	28	40129999	48	67	40134834	4	28·55
40126977	104	42	40130001	46	17	40134959	42	30
40126978	100	29	40130003	46	70	40134959	46	35
40126978	104	43	40130003	48	70	40135472	20	19·34
40126979	100	30	40130004	46	69	40135473	20	9·38
40126979	104	44	40130004	48	69	40135474	14	11·12
40126986	100	31	40130005	46	71	40135475	20	17·37
40126986	104	45	40130005	48	71	40135500	20	8
40126987	100	32	40130006	46	88	40135504	16	90
40126987	104	46	40130006	48	88	40135505	16	88
40126988	100	33	40130277	6	4	40135589	100	47
40126988	104	47	40130283	76	5·15	40135589	106	61
40126989	100	34	40130284	76	4·16	40135590	102	48
40126989	106	48	40130412	46	39	40135590	106	62
40127004	100	1	40130702	6	2	40136296	10	15~17
40127004	104	9	40130703	2	24·56	40136650	60	19·67
40127005	100	2	40130704	2	15	40137431	20	6
40127005	104	10	40130705	2	1	40137553	40	17·73
40127006	100	3	40130706	2	21·54	40137554	40	68·75
40127006	104	11	40130819	48	87	40137612	48	93
40127007	100	4	40130820	46	89	40137613	46	14
40127007	104	12	40130820	48	89	40137779	40	70·76
40127023	100	5	40131580	96	29	40137780	40	33·77
40127023	104	13	40131887	42	4	40137780	46	36
40127024	100	6	40131887	46	46	40137921	60	38·39
40127024	104	14	40131916	96	27			68~
40127025	100	7	40131956	22	1·2	40138418	16	77·91~ 108
40127025	104	15	40132118	46	78			68~
40127026	100	8	40132118	48	78	40138418	18	77·91~ 108
40127026	104	16	40132434	60	20~23			68~
40127041	10	20	40133270	98	6	40138419	16	77·91~ 108
40127042	10	5~9	40133271	108	1			68~
40127049	6	33·34	40133272	98	7			68~
40127051	10	5~9	40133272	108	3	40138419	18	77·91~ 108
40127052	10	10~14	40133273	108	2			68~
40127054	10	5~9	40133312	108	6	40138420	16	77·91~ 108
40127056	4	51	40133612	66	1			108

NUMERICAL INDEX OF PARTS

PART NO	PAGE	REF NO.	PART NO	PAGE	REF NO.	PART NO	PAGE	REF NO.
		68~	40143624	44	69	40148037	22	61
40138420	18	77·91~	40143624	46	32	40148037	24	61
		108	40143626	38	2	40148038	22	39
40138421	16	68~	40144283	34	5	40148039	22	3
		77·91~	40144286	28	5·6	40148040	22	4
		108	40144287	28	5·6	40148283	4	21·54
40138421	18	68~	40144288	28	1·2	40149030	24	47
		77·91~	40144289	28	1·2	40149032	24	49
		108	40145548	28	42~44	40149033	24	50
40138422	18	68~	40145549	28	42~44	40149034	24	54
		77·91~	40145550	28	42~44	40149035	24	57
		108	40147913	24	66·67	40149036	24	58
40139042	16	35·87	40147913	96	34·35	40149037	24	62
40139043	14	35·87	40147915	20	1·2	40149038	24	48
40139345	74	1	40147918	2	47	40149115	30	87~90
40142200	44	49	40147918	98	14	40149116	30	87~90
40142201	44	51	40147918	102	55	40149117	30	87~90
40142203	24	68·69	40147919	4	57	40149118	30	87~90
40142204	24	68·69	40147940	60	20~23	40149120	30	91~94
40142208	52	10	40147941	60	13~16	40149121	30	91~94
40142208	66	10	40147942	60	9~12	40149122	32	91~94
40142213	90	1	40147943	60	24~27	40149123	32	91~94
40142215	98	16	40147944	98	18	40149125	32	95~98
40142430	96	13	40147945	100	26	40149126	32	95~98
40143061	98	9	40147946	54	1	40149127	32	95~98
40143069	94	4	40147947	54	2	40149128	32	95~98
40143070	94	5	40147948	54	3	40150131	2	44
40143071	94	6	40147949	98	5	40150762	104	33
40143082	14	20	40147951	100	35	40150763	104	35
40143083	6	11	40147951	106	69	40150764	104	37
40143084	14	17	40147952	100	36	40150765	104	39
40143085	40	51	40147952	106	70	40150777	104	34
40143086	14	40·41	40147953	100	37	40150778	104	36
40143087	40	50	40147953	106	71	40150779	104	38
40143088	6	16	40147954	100	38	40150780	104	40
		68~	40147954	106	72	40150791	104	1
40143185	18	77·91~	40147956	82	78	40150792	104	3
		108	40147956	86	91	40150793	104	5
40143188	18	68~	40147985	22	45·46	40150794	104	7
		77·91~	40148031	22	24	40150803	104	2
		108	40148032	22	25	40150804	104	4
40143220	10	10~14	40148033	22	27	40150805	104	6
40143221	12	47~49	40148034	22	28	40150806	104	8
40143553	76	14	40148035	22	29	40151488	6	8·26
		68~	40148036	22	30	40151791	78	15
40143581	18	77·91~						
		108						

NUMERICAL INDEX OF PARTS

PART NO	PAGE	REF NO.	PART NO	PAGE	REF NO.	PART NO	PAGE	REF NO.
40151799	4	58	40155371	82	80	40169438	24	76·77
40151800	96	11	40155371	86	93	40169439	24	85
40151803	96	37	40155440	82	81	40169440	24	80·81
40151804	96	38	40155440	86	94	40169441	24	78·79
40151805	96	39	40155956	68	5	40169442	24	86
40152022	78	35	40155957	70	1	40169443	26	93
40152295	14	5	40155958	68	28	40169445	26	89
40152451	10	2	40155959	70	34	40169446	24	87
40154199	28	19	40155960	68	32	40169447	26	91
40154226	10	15~17	40155960	70	38	40169448	26	92
40154227	10	15~17	40155973	106	65	40169449	26	90
40154832	40	78	40155974	106	66	40169450	24	88
40154833	40	79	40155975	106	67	40169451	24	70·71
40155087	108	7	40155976	106	68	40169452	24	72·73
		77~	40155979	106	73	40169453	24	76·77
40155295	62	86·98~ 101	40155980	106	74	40169454	24	80·81
		77~	40155981	106	75	40169455	24	78·79
40155296	62	86·98~ 101	40155982	106	76	40171514	52	8
		77~	40155994	68	29	40171514	66	8
40155297	62	86·98~ 101	40155994	70	37	40171574	28	23
		77~	40155995	70	39	40176628	28	7
40155298	62	86·98~ 101	40156013	106	78	40178899	42	8
		77~	40156017	108	8	40193158	96	14
		77~	40157625	64	87~ 96·102 ~105	B111105100B	4	52
40155299	62	86·98~ 101				B1111563000	2	35
		77~				B1132521000	2	12
40155301	62	87~ 96·102 ~105	40157626	64	87~ 96·102 ~105	B1140761000	82	84
		77~				B1140761000	88	97
40155302	62	87~ 96·102 ~105	40157628	64	77~ 86·98~ 101	B125578100A	38	32
		77~				B1308055000	16	58
40155303	62	87~ 96·102 ~105	40157629	64	77~ 86·98~ 101	B1310055000	16	59
		77~				B1314055000	16	60
40155304	62	87~ 96·102 ~105	40161459	68	6	B1401053000	10	10~14
		77~	40161460	70	2	B1411053000	10	21~23
40155304	64	87~ 96·102 ~105	40163914	96	36	B1411521000	10	21~23
		77~	40164521	96	18	B1412051000	10	40
40155305	62	87~ 96·102 ~105	40167733	42	21	B1438512B00	10	32~39
		77~	40169431	24	70·71	B1470245000	110	24
40155305	62	87~ 96·102 ~105	40169432	24	72·73	B147424500D	110	12
		77~	40169433	24	75	B147424500F	110	13
40155305	64	87~ 96·102 ~105	40169434	24	74	B147424500H	110	14
		77~	40169435	24	82	B147424500K	110	15
40155370	82	79	40169436	24	83	B147624500A	110	20
40155370	86	92	40169437	24	84	B1478245000	110	1
						B147924500D	110	6

NUMERICAL INDEX OF PARTS

PART NO	PAGE	REF NO.	PART NO	PAGE	REF NO.	PART NO	PAGE	REF NO.
B147924500F	110	7	B3139527000	70	28	EA9500B0100	48	91
B147924500H	110	8	B3141527000	70	29	EA9500B0100	52	32
B1504210000	50	1	B3142527000	70	30	EA9500B0100	54	21
B1516210D00	96	19	B3143527000	70	31	EA9500B0100	62	68
B15242450A0	110	25	B3538112000	14	34	EA9500B0100	74	16
B1525563SA0	110	23	B4122804000	46	48	EA9500B0100	76	17·23
B152652700G	46	63	B4122804000	48	48	EA9500B0100	82	56
B152652700G	48	63	B91210120A0	96	16	EA9500B0100	86	78
B15272450AD	110	16	BT0400251EB	34	12	EA9500B0200	76	12·13
B15272450AF	110	17	BT0400251EB	44	52·53	HA004680000	58	7
B15272450AH	110	18	BT0400251EB	48	75·76	HK063610220	58	10
B15272450AK	110	19	BT0400251EB	50	2	HK075230000	58	9
B15292450AA	110	21	BT0400251EB	52	13	HW000840040	58	8
B15302450AD	110	2	BT0400251EB	54	6	HX00150000B	96	22
B15302450AF	110	3	BT0400251EB	66	13	HX00150000C	76	6
B15302450AH	110	4	BT0600401EB	76	1	HX00150000H	76	8
B15302450AK	110	5	BT0800501EB	76	2	HX00150000M	76	9
B15312450AD	110	9	CM300200001	2	5·14	HX00150000M	82	54
B15312450AF	110	10	CM600100101	2	43	HX00150000M	86	76
B15312450AH	110	11	CM600100201	96	10	M13517B1600	10	30·31
B1639051000	16	50	CQ202000000	30	83	M13517B1602	96	17
B1834512000A	84	46	CQ202000000	38	48	MAH152010A0	120	1
B1843563000	80	58	CQ202000000	40	48	MAN10452000	110	27
B1843563000	82	58	CQ202000000	82	68	MAO11532000	96	32
B1843563000	84	34	CQ202000000	84	68	MAQ09307000	110	26
B2508047000	60	32·33	CQ202000000	86	68	MAQ093080A0	110	28
		68~	CQ252000000	10	45	NM6030001SC	74	7
B255728000A	16	77·91~	CQ252000000	30	79	NM6040002SC	90	27
		108	CQ303000000	80	73	NM6040002SC	92	25
		68~	CQ303000000	82	73	NM6050001SD	36	21
B255728000B	16	77·91~	CQ303000000	86	90	NM6050001SD	42	29
		108	CS1201171TP	36	22	NM6050001SD	48	54
		68~	CS1201171TP	44	71	NM6050001SE	90	24
B255728000C	16	77·91~	CS1201171TP	46	33	NM6050001SE	92	26
		108	CS1701181TP	10	3	NM6050001SP	76	26
		68~	D1231555B00	30	51	NM6050003SC	82	60
B255728000D	16	77·91~	D1231555B00	38	31	NM6060001CP	54	9
		108	D2112555B00	2	40	NM6060001SC	54	26
		68~	D2464555B00	52	11	NM6060001SD	28	25
B3010141H00	20	11	D2464555B00	66	11	NM6060001SE	36	18
B3031141H00	50	3	D2629M1YC0F	42	27	NM6120001CP	82	88
B3112704000	68	8	D2629M1YC0F	48	52	NM6120001CP	88	101
B3112704000	70	24	E2613700000	28	26	NS6110310SP	36	14
B31375270A0	68	15	E8760452D00	58	6	NS6110310SP	60	40·41
B31375270A0	70	26	EA9500B0100	42	45	NS6110310SP	68	36
B3138527000	70	27						

NUMERICAL INDEX OF PARTS

PART NO	PAGE	REF NO.	PART NO	PAGE	REF NO.	PART NO	PAGE	REF NO.
NS6110310SP	70	43	RO092270200	46	55	SL6051092TN	80	38
NS6110310SP	80	63	RO092270200	48	55	SL6051092TN	84	38
NS6110310SP	82	63	RO098240100	80	37	SL6052592TN	6	17
NS6110310SP	84	47	RO098240100	84	37	SM0030601SC	78	18
NS6150430SP	54	28	SB108002400	6	40	SM0050801SC	30	61
NS6680410SP	40	63	SB115002200	16	86	SM0051001SC	78	34
PA200150900	44	66	SB120001800	6	13	SM1040750TP	2	34
PA200150900	48	84	SB120001800	14	47	SM1051052TN	2	37
PA250250900	50	12	SB120002700	6	45	SM1061201SN	16	63
PA250250900	54	5	SB125000600	30	58	SM4021601SN	58	3
PA400150200	34	16	SD0380556TL	2	13	SM4030601SN	28	13
PF055107000	76	20	SD0450401SP	68	27	SM4040655SP	2	36
PH0400062C0	106	77	SD0450401SP	70	8	SM4040655SP	62	65-97
PJ025100003	76	19	SD0460576TP	60	30-31	SM4040855SP	2	27
PJ046052503	44	54	SD0500803TP	36	16	SM4040855SP	64	65-97
PJ046052503	48	77	SD0550271TP	74	8	SM4040855SP	76	10
PJ046052503	52	14	SD0640322TP	16	62	SM4040855SP	80	22
PJ046052503	54	7	SD0650321TP	60	42-43	SM4041201SC	90	29
PJ046052503	66	14	SD0651301TH	60	34-35	SM4041201SC	92	22
PJ304040504	50	5	SD0791271SP	54	22	SM4042501SC	90	28
PJ304045102	34	21	SD0800321TH	52	16	SM4042501SC	92	23
PJ304065101	76	21	SD0800321TH	66	16	SM4050501SC	10	41
PS0350102KR	44	50	SD0800341SP	52	17	SM4050655SP	4	61
PX050501000	54	25	SD0800341SP	66	17	SM4050655SP	96	31
RC0150001KP	30	53	SD0800346TP	44	57	SM4050855SP	2	41
RC0150001KP	38	37	SD0800346TP	48	79	SM4050855SP	42	32
RC0560711KP	20	3-4	SD0800406TP	54	24	SM4050855SP	52	19
RC0560711KP	78	17	SD0802126TP	28	24	SM4050855SP	54	8
RC0650811KP	40	49	SD0900426TP	44	48	SM4050855SP	68	37
RC0740816K0	14	15-16	SD0900426TP	48	80	SM4050855SP	72	48
RC2351018KP	14	13-14	SD1000406TP	36	19	SM4050855SP	82	87
RE0320000K0	50	4	SD1021251SP	38	20	SM4050855SP	88	100
RE0400000K0	34	23	SK3412000SC	94	22	SM4050855SP	96	21
RE0400000K0	52	15	SK3452501SE	96	26	SM4051001SN	68	38
RE0400000K0	66	15	SK3482001SE	76	24	SM4051001SN	72	52
RE0500000K0	16	51	SK3482001SE	94	2	SM4051055SP	2	25-59
RE0500000K0	20	20	SL4040691SC	58	11	SM4051055SP	4	25-59
RE0500000K0	30	57	SL4040881SC	42	31	SM4051055SP	8	49
RE0500000K0	68	41	SL4040881SC	46	26	SM4051055SP	94	24
RE0500000K0	70	46	SL4041091SC	76	3	SM4051255SP	74	12
RE1000000K0	36	15	SL4041091SC	82	55	SM4051405SE	90	23
RE1200000K0	38	38	SL4041091SC	86	77	SM4051405SE	92	24
RO037180100	68	26	SL4041491SC	56	6	SM4055501SC	2	3
RO037180100	70	5	SL4051091SC	52	18	SM6030602TP	10	25
RO092270200	44	56	SL4051091SC	66	18	SM6030602TP	60	46-47

NUMERICAL INDEX OF PARTS

PART NO	PAGE	REF NO.	PART NO	PAGE	REF NO.	PART NO	PAGE	REF NO.
SM6030602TP	74	9	SM6051602TP	48	59	SM80506A2TP	14	32
SM6031202TP	78	20	SM6051602TP	62	50·51	SM8050812TP	6	7
SM6031202TP	80	46	SM6051802TP	34	8	SM8050812TP	40	56
SM6031202TP	84	15	SM6052002TP	46	30	SM8050842TP	40	55
SM6040502TP	14	33	SM6054502TN	34	20	SM8051002TP	78	33
SM6040602TP	14	24·25	SM6054502TP	50	10	SM8060552TP	30	66
SM6040602TP	94	7	SM6055002TP	54	10	SM8060612TP	8	50
SM6040650TP	10	18	SM6056552TP	52	22	SM8060612TP	10	4
SM6040650TP	14	83	SM6056552TP	66	22	SM8060612TP	20	26·27
SM6040650TP	16	83	SM6061002TP	2	46	SM8060612TP	30	65
SM6040650TP	30	59	SM6061002TP	50	8	SM8060612TP	34	7
SM6040650TP	40	69·74	SM6061002TP	52	12	SM8060612TP	36	24
SM6040802TP	20	23	SM6061002TP	66	12	SM8060612TP	40	58
SM6040802TP	46	42	SM6061010TP	44	60	SM8060612TP	42	74
SM6040802TP	62	48·49	SM6061010TP	48	82	SM8060612TP	44	74
SM6040802TP	80	16	SM6061202TP	30	62	SM8060612TP	46	94
SM6040802TP	86	80	SM6061402TP	40	61	SM8060612TP	48	94
SM6040860TP	78	19	SM6061402TP	120	2	SM8060812TP	6	41
SM6041002TP	60	36·37	SM6061602TP	34	19	SM8060812TP	14	48
SM6041202TP	54	27	SM6061602TP	40	52	SM8060812TP	16	48
SM6041402TP	46	45	SM6061602TP	44	61	SM8060812TP	40	59
SM6041802TP	46	73	SM6061602TP	48	83	SM8060812TP	62	52·53
SM6041802TP	48	73	SM6061602TP	50	9	SM80608A2TP	6	47
SM6041802TP	82	67	SM6061802TP	14	27·28	SM80608A2TP	28	99
SM6041802TP	84	50	SM6061802TP	40	53	SM80608A2TP	32	99
SM6041802TP	86	50	SM6061802TP	82	61	SM8063012TR	36	13
SM6050800SP	40	72	SM6061802TP	86	75	SM8080812TP	8	51
SM6050802TP	34	9	SM6062002TP	30	63	SM9061203SE	94	12
SM6050802TP	44	59	SM6062502TP	40	80	SM9061853SR	36	20
SM6050802TP	48	81	SM6081552TP	34	18	SQ2050452MZ	82	57
SM6050802TP	52	20	SM6082002TP	54	11	SS2060310SP	10	26
SM6050802TP	66	20	SM8040412TP	4	48	SS3090710TP	68	19
SM6051000SP	30	60	SM8040412TP	30	64	SS4090515SP	74	5
SM6051202TP	36	4	SM8040412TP	40	54	SS4110615SP	68	20
SM6051202TP	42	34	SM8040612TP	20	25	SS4110615SP	70	9
SM6051202TP	48	58	SM8050412TP	14	29·30	SS4110815SP	68	35
SM6051202TP	76	22	SM8050412TP	42	64	SS4110815SP	70	42
SM6051400SP	36	5	SM8050412TP	44	64	SS6090410TP	12	51
SM6051400SP	42	33	SM8050412TP	46	47	SS6090910TP	30	67
SM6051400SP	48	57	SM8050502TP	78	21	SS6111052TP	40	60
SM6051402TP	52	21	SM8050512TP	80	39	SS6121210SP	46	60
SM6051402TP	66	21	SM8050512TP	84	39	SS6121210SP	48	60
SM6051402TP	96	41	SM8050612TP	20	29·35	SS6121860SP	42	65
SM6051602TP	42	62	SM8050612TP	28	14	SS6121860SP	44	65
SM6051602TP	44	62	SM8050612TP	40	57	SS7060610SP	62	54·55

NUMERICAL INDEX OF PARTS

PART NO	PAGE	REF NO.	PART NO	PAGE	REF NO.
SS7080510TP	10	42	WP0621016SD	54	23
SS7090510SP	70	10	WP0621036SP	48	56
SS7090910TP	10	24	WP0651001SC	30	73
SS7110740TP	52	30	WP0740516SP	20	10·39
SS7110740TP	54	19	WP0740516SP	38	64
SS8080310TP	12	53	WP0740516SP	40	64
SS8080410TP	12	46	WP0820516SP	6	38
SS8090670SP	20	28	WP1612616SE	90	15
SS8110422TP	38	39	WP1612616SE	92	27
SS8110422TP	62	56·57	WS0451040KP	78	26
SS8111010TP	16	64	WS0510002KN	76	25
SS8151550SP	6	21	WS0510002KN	90	21
SS8660610TP	38	36	WS0510002KN	92	29
SS8660612TP	16	67	WT0530002KS	4	60
SS8661012TP	68	39	WT1780011KP	42	25
SS8661012TP	70	44	WT1780011KP	46	40
TA0500301R0	10	43	WZ1052010KP	34	11
TA0620504R0	10	44			
TA0750404R0	44	72			
TA1030402R0	2	17			
TA1250406R0	2	19			
TA1270502R0	2	18			
TA1550902R0	2	39			
TA1650406R0	2	7			
WP0320501SC	62	58·59			
WP0320501SE	74	10			
WP0430800SD	30	84			
WP0430800SD	86	51			
WP0431005SP	46	90			
WP0431005SP	48	90			
WP0450000SD	62	60·61			
WP0450801SP	78	22			
WP0450801SP	82	85			
WP0450801SP	88	98			
WP0450846SP	80	20			
WP0460556SD	68	23			
WP0460556SD	70	33			
WP0501016SD	68	21			
WP0501016SD	70	32			
WP0501016SD	94	23			
WP0531001SC	90	22			
WP0531001SC	92	28			
WP0550800SP	62	62·63			
WP0550800SP	96	33			
WP0612066SP	20	5·21			