

MODEL : LBH-1796A (マーキングライト装置)

List No : 1664-00

# PARTS LIST

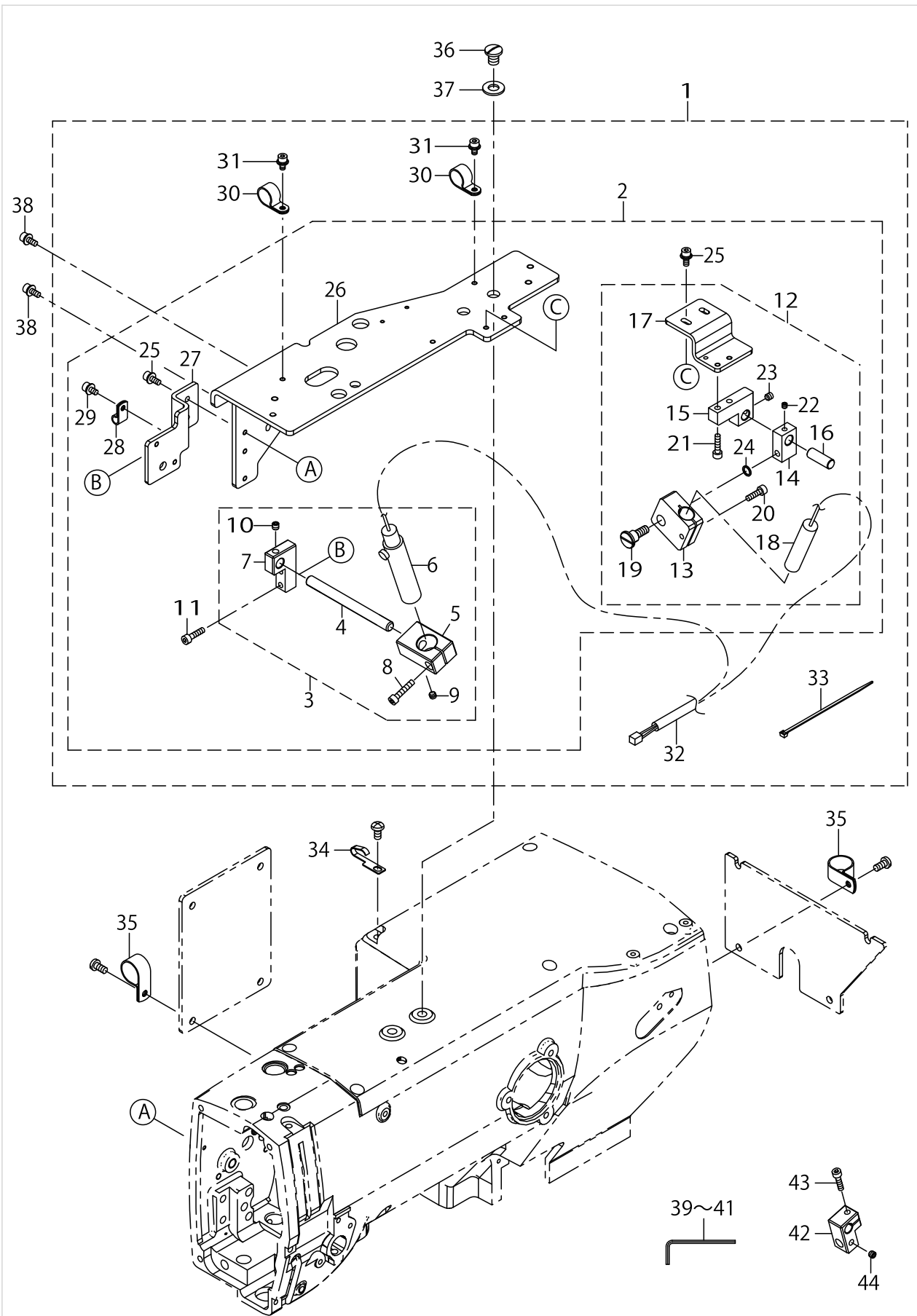
Published:09/10/2017

## CONTENTS

---

MARKING LIGHT DEVICE.....	1
HOW TO MAKE USE OF THIS PARTS LIST .....	3

MARKING LIGHT DEVICE



MARKING LIGHT DEVICE

No.	Parts No.	Parts name	Remarks	Level	Cons	Qty
1	40155455	MARKING LIGHT DEVICE ASSY				1
2	40154438	MARKING LIGHT ASSY		*		1
3	40154133	LED MARKING LIGHT ASSY		*		1
4	20104402	HANDLE		*		1
5	40067813	MARKER_BRACKET		*		1
6	40090637	LED MARKING		*		1
7	40091171	MARKER_FIXED_ROD HOLDER		*		1
8	SM6042002TN	BOLT		*		1
9	SM8050412TP	SCREW M5 L=4		*		1
10	SM8050512TP	SCREW		*		1
11	SM6041602TN	SCREW M4X16		*		2
12	4015134	LASER MARKING LIGHT ASSY		*		1
13	40034001	FIXED HOLDER_A		*		1
14	40034002	FIXED HOLDER_B		*		1
15	40091171	MARKER_FIXED_ROD HOLDER		*		1
16	40091173	MARKER_FIXED_SUB_ROD		*		1
17	40154427	MARKER_BRACKET		*		1
18	KE000000020	LAMP		*		1
19	SD0900706TP	SHOULDER SCREW D=9 H=7		*		1
20	SM6041402TN	SCREW M4X0.7 L=14		*		1
21	SM6041602TN	SCREW M4X16		*		2
22	SM80404A2TP	SCREW M4 L=4		*		1
23	SM8050512TP	SCREW		*		1
24	WP0650816SP	WASHER		*		1
25	SL6041092TN	SCREW		*		4
26	40154425	BASE_PLATE		*		1
27	40154426	SWITCH_BRACKET		*		1
28	HX00150000B	CABLE CLIP		*		1
29	SL6040892TN	BOLT		*		1
30	HX00150000G	CABLE CLIP		*		2
31	SL6040892TN	BOLT		*		2
32	40154436	MARKING LIGHT RELAY CORD ASSY		*		1
33	EA9500B0100	CABLE BAND		*		18
34	26230409	LUBRICATING OIL WICK STOPPER				1
35	HX00150000K	CABLE CLIP				2
36	SS7701010SP	SCREW 5/16-24 L=10				2
37	WP0841601SE	WASHER				2
38	SL6041092TN	SCREW				2
39	J106600000D	HEXAGONAL WRENCH KEY				1
40	J106600000C	HEXAGONAL WRENCH KEY 2.5				1
41	GCT02905000	SPANNER				1
42	40091172	MARKER_FIXED_BLOCK				1
43	SM6041602TP	SCREW M4X0.7 L=16				1
44	SM8050412TP	SCREW M5 L=4				1

## HOW TO MAKE USE OF THIS PARTS LIST

1.As to "#01" and "#02" refer to the "Note" given at the bottom of the respective pages.

2.Codes on the "Qty" column

- Each numeral indicates the number of parts required.
- "0.1" and "2.5" indicate the length (in meters) of the respective parts.

3.Parentheses mean that the corresponding part is a subpart that constructs an assembly part.

4.Dotted lines on the Figures indicate assembly parts.

1. リストページの# 0 1、# 0 2の印は、ページ下の"注記"の説明を参照下さい。
2. 数量欄の数字は、個数を表し、0. 1、2. 5等の数値は、長さ（単位メートル）を表します。
3. 数量欄の（ ）は、組部品を構成している子部品であることを意味します。
4. イラストページの-----枠は、組構成であることを意味します。

# NUMERICAL INDEX OF PARTS

PART NO	PAGE	REF NO.
20104402	2	4
26230409	2	34
40034001	2	13
40034002	2	14
40067813	2	5
40090637	2	6
40091171	2	15
40091172	2	42
40091173	2	16
4015134	2	12
40154133	2	3
40154425	2	26
40154426	2	27
40154427	2	17
40154436	2	32
40154438	2	2
40155455	2	1
EA9500B0100	2	33
GCT02905000	2	39~41
HX00150000B	2	28
HX00150000G	2	30
HX00150000K	2	35
J106600000C	2	39~41
J106600000D	2	39~41
KE000000020	2	18
SD0900706TP	2	19
SL6040892TN	2	31
SL6041092TN	2	38
SM6041402TN	2	20
SM6041602TN	2	21
SM6041602TP	2	43
SM6042002TN	2	8
SM80404A2TP	2	22
SM8050412TP	2	44
SM8050512TP	2	23
SS7701010SP	2	36
WP0650816SP	2	24
WP0841601SE	2	37