

MODEL : LK-1903B/BR35

List No : 1655-01

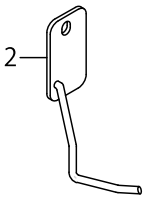
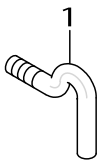
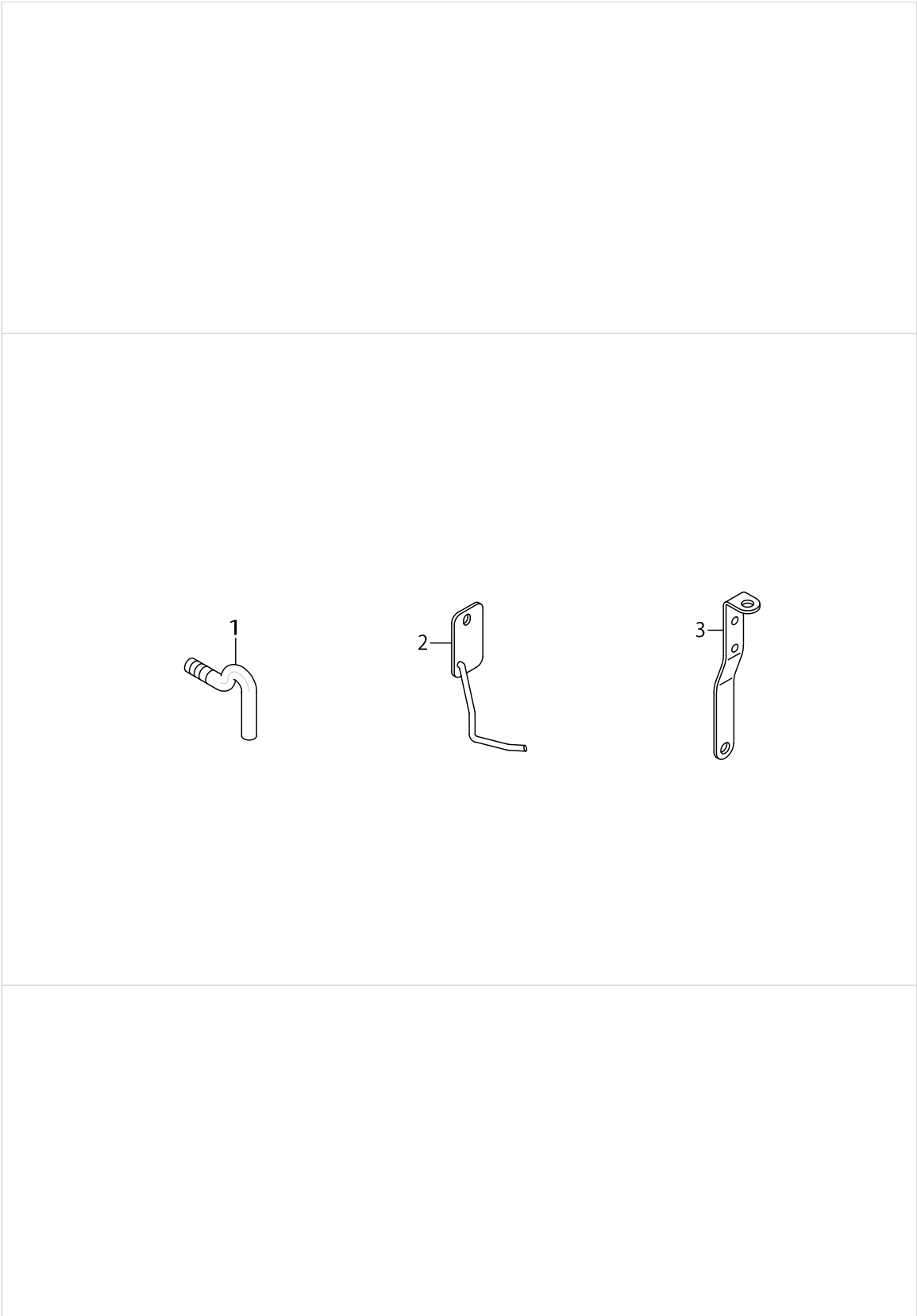
PARTS LIST

Published:09/10/2017

CONTENTS

THREAD TENSION COMPONENTS	1
WIPER MECHANISM COMPONENTS	3
EXCLUSIVE PARTS FOR LK-1903BS-311,LK-1903BS-312 (1)	5
EXCLUSIVE PARTS FOR LK-1903BS-311,LK-1903BS-312 (2)	7
BUTTON CLAMP COMPONENTS.....	11
FINE POSITION OF BUTTONS COMPONENTS (1).....	15
FINE POSITION OF BUTTONS COMPONENTS (2).....	17
DRIVE CAM COMPONENTS.....	21
INDEX COMPONENTS (1)	23
INDEX COMPONENTS (2)	27
FEEDER BALL COMPONENTS	31
TABLE & COVER COMPONENTS	33
BR CONTROL BOX COMPONENTS (FOR USE IN JAPAN AND GENERAL EXPORT).....	37
BR CONTROL BOX COMPONENTS (FOR EUROPE)	41
BR POWER SUPPLY COMPONENTS.....	45
CONTROL BOX COMPONENTS	47
OPERATION PANEL COMPONENTS	51
WIRING DIAGRAM.....	53
BR35 WIRING DIAGRAM	55
ACCESSORIE PARTS COMPONENTS	57
LIST FOR INFORMATION OF CHANGE.....	59
HOW TO MAKE USE OF THIS PARTS LIST	60

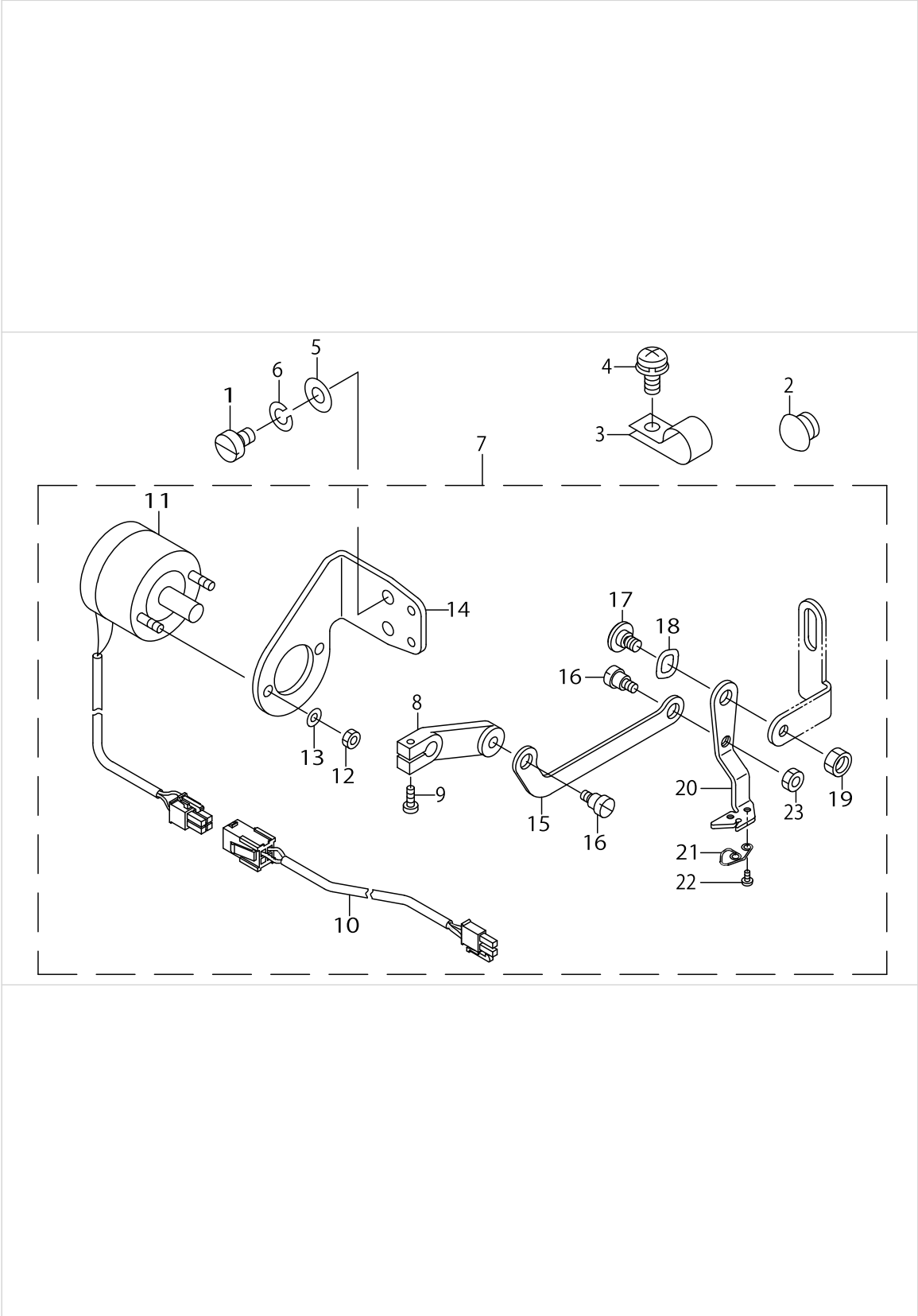
THREAD TENSION COMPONENTS



THREAD TENSION COMPONENTS

No.	Parts No.	Parts name	Remarks	Level	Cons	Qty
1	40013452	L SHAPED THREAD GUIDE B				1
2	B55412050A0	THREADING GUIDE ASM.				1
3	B1114581000	THREAD GUIDE PLATE				1

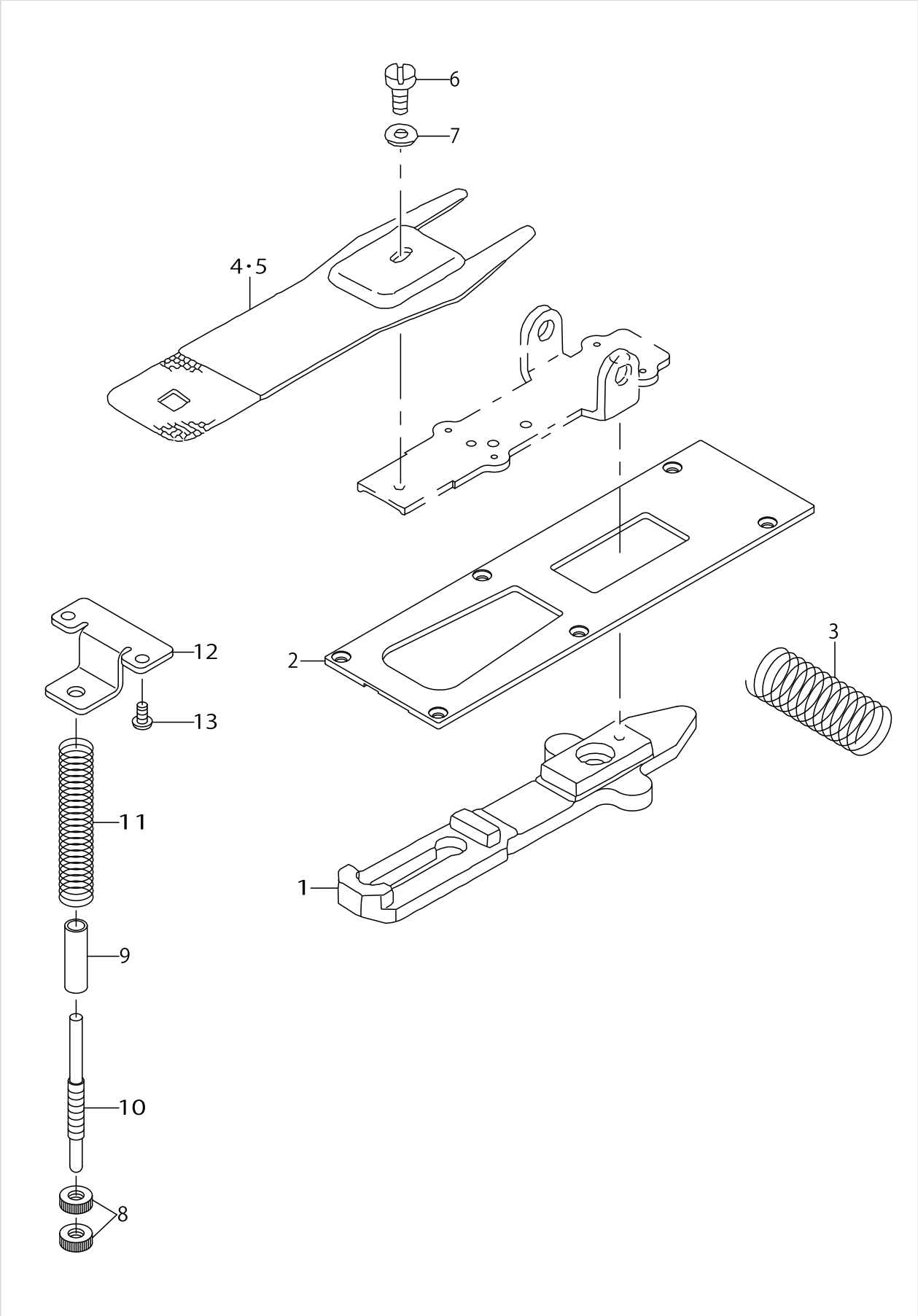
WIPER MECHANISM COMPONENTS



WIPER MECHANISM COMPONENTS

No.	Parts No.	Parts name	Remarks	Level	Cons	Qty
1	SM6040650TP	SCREW				2
2	TA1250705R0	RUBBER PLUG				1
3	HX00123000C	CABLE CLIP				4
4	SL4041091SC	SCREW M4 L=10				4
5	WP0450801SD	WASHER 4.5X10X0.8				2
6	WS0451040KP	SPRING WASHER 4.5X8.5X1				2
7	40018334	MAGNET WIPER ASM.				1
8	B210220500A	WIPER ARM		*		1
9	SS7111120TP	SCREW		*		1
10	40018335	SOLENOID RELAY CABLE ASM.		*		1
11	14147755	SOLENOID FOR WIPER ASM.		*		1
12	NM6040003SC	NUT M4		*		2
13	WS0410002KS	SPRING WASHER M4		*		2
14	13864509	SOLENOID FITTING PLATE		*		1
15	14147607	WIPER LINK		*		1
16	SD0600181TP	HINGE SCREW		*		2
17	SD0640261SP	HINGE SCREW D=6.35 H=2.6		*		1
18	WZ0640200KP	WAVE WASHER		*		1
19	NS6120310SP	NUT 3/16-28		*		1
20	40009859	WIPER		*		1
21	14147805	SPRING		*		1
22	SS7060310SP	SCREW 3/32-56 L=3		*		2
23	NS6110310SP	NUT 11/64-40		*		1

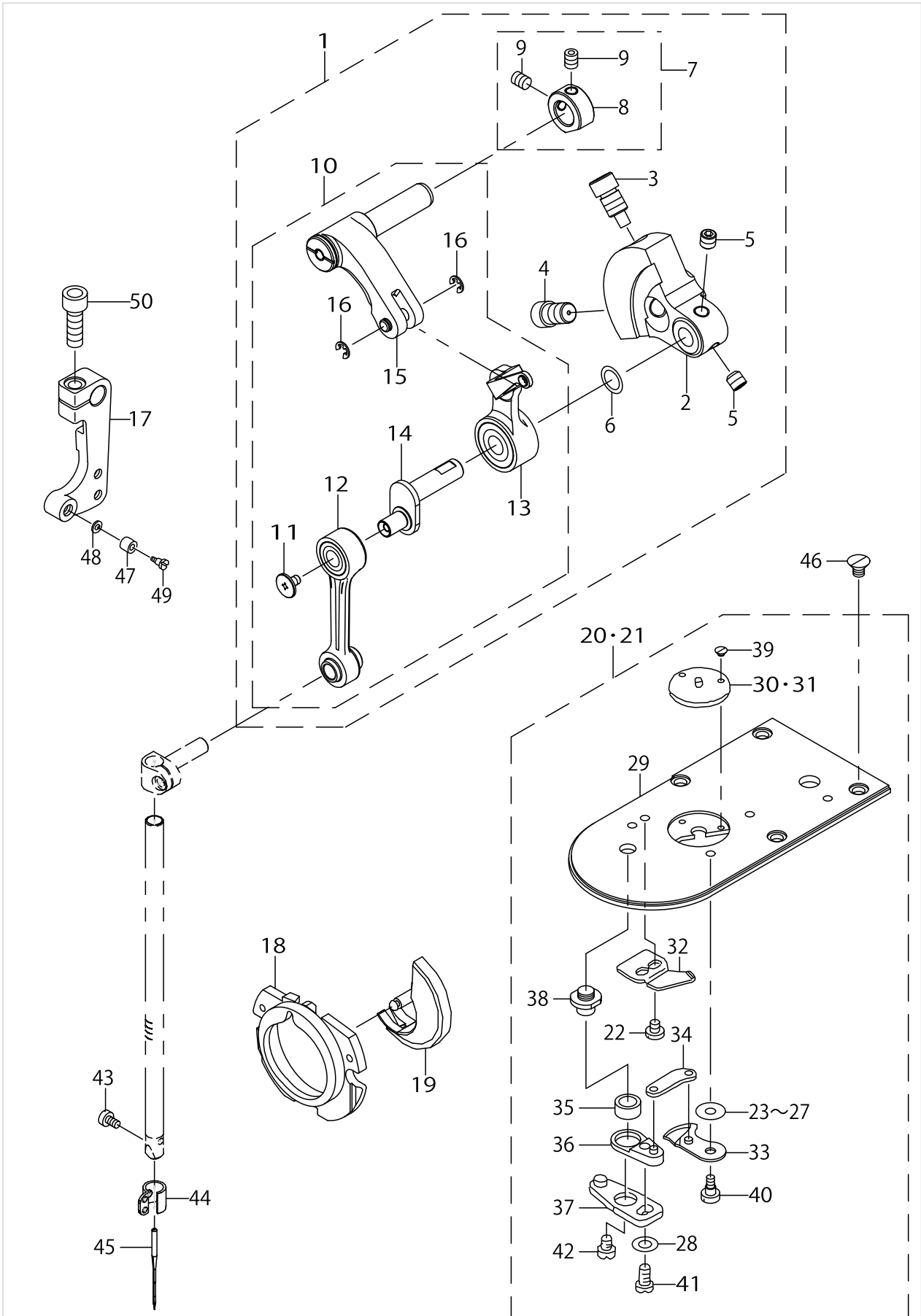
EXCLUSIVE PARTS FOR LK-1903BS-311,LK-1903BS-312 (1)



EXCLUSIVE PARTS FOR LK-1903BS-311,LK-1903BS-312 (1)

No.	Parts No.	Parts name	Remarks	Level	Cons	Qty
1	14145106	CLOTH FEED PLATE				1
2	40006935	CLOTH FEED PRESSER PLATE B				1
3	14148407	VERTICAL FEED SHAFT SPRING				1
4	MAZ15502000	PRESSURE PLATE	FOR LK-1903BS-311			1
5	MAZ15602000	PRESSURE PLATE	FOR LK-1903BS-312			1
6	SS9110543CP	SCREW 11/64-40 L=5.3				1
7	WP0501016SD	WASHER 5X10.5X1				1
8	22928808	NUT				2
9	D2527232D00	SLEEVE				1
10	14146906	ADJUSTING SHAFT				1
11	13812003	PRESSURE SPRING				1
12	13811906	ACCEPT PLATE UPPER				1
13	SM5040855SN	SCREW				2

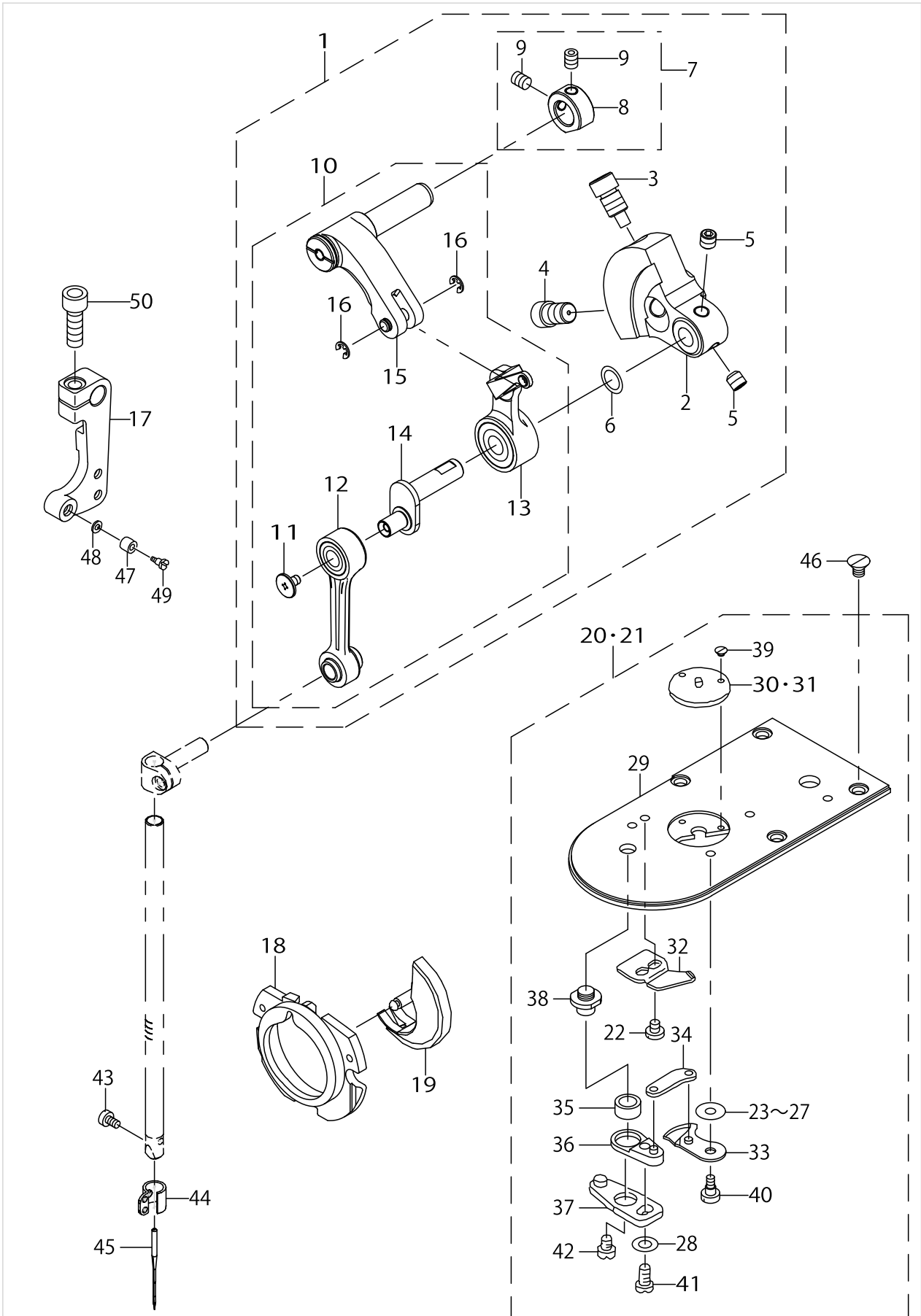
EXCLUSIVE PARTS FOR LK-1903BS-311,LK-1903BS-312 (2)



EXCLUSIVE PARTS FOR LK-1903BS-311,LK-1903BS-312 (2)

No.	Parts No.	Parts name	Remarks	Level	Cons	Qty
1	40142785	COUNTER_WEIGHT_COMPL_3				1
2	40142691	COUNTER_WEIGHT		*		1
3	40010424	COUNTER_WEIGHT_SCREW_A		*		1
4	40010425	COUNTER_WEIGHT_SCREW_B		*		1
5	40010426	COUNTER_WEIGHT_SCREW_C		*		2
6	WP0820516SP	WASHER 11.6X8.2X0.6		*		1
7	40110841	THRUST_COLLAR_ASM.		*		1
8	40110842	THRUST_COLLAR		*		1
9	SM80506A2TP	SCREW M5 L=6		*		2
10	40142786	THREAD_TAKE_UP_COMPL_3		*		1
11	40142701	LEFT_HAND_SCREW		*		1
12	40142697	NEEDLE_BAR_CRANK_ROD_COMPL.		*		1
13	40142787	THREAD_TAKE_UP_ASM_3		*		1
14	40142790	NEEDLE_BAR_CRANK_3		*		1
15	40142807	TAKE_UP_CRANK_ASM_3		*		1
16	RE0300000K0	E-RING 3		*		2
17	40011949	CONNECTING ARM B				1
18	14103352	INNER HOOK PRESSER ASM. B				1
19	40110846	SHUTTLE			☆	1
20	40142723	NEEDLE PLATE ASM. M	FOR LK-1903BS-311			1
21	40142724	NEEDLE PLATE ASM. K	FOR LK-1903BS-312			1
22	SS7090410SP	SCREW 9/64-40 L= 3.5		*		2
23	B242328000A	MOVING KNIFE WASHER A	SELECTIVE PARTS	*		1
24	B242328000B	MOVING KNIFE WASHER B	SELECTIVE PARTS	*		1
25	B242328000C	MOVING KNIFE WASHER C	SELECTIVE PARTS	*		1
26	B242328000D	MOVING KNIFE WASHER D	SELECTIVE PARTS	*		1
27	B242328000E	MOVING KNIFE WASHER E	SELECTIVE PARTS	*		1
28	WP0450846SP	WASHER		*		1
29	40142725	NEEDLE PLATE		*		1
30	MAZ15801000	GUIDE	FOR LK-1903BS-311	*	☆	1
31	MAZ15601000	GUIDE	FOR LK-1903BS-312	*	☆	1
32	B2424280000	FIXING KNIFE		*	☆	1
33	B24212800A0	MOVING KNIFE ASM.		*	☆	1
34	B2418280000	MOVING KNIFE LINK		*		1
35	B2416280000	THREAD CUTTING LEVER RING		*		1
36	B24152800A0	THREAD CUTTER LEVER ASM. (SMALL)		*		1
37	B24142800A0	THREAD CUTTER LEVER ASM. (LARGE)		*		1
38	B2417280000	THREAD CUTTER LEVER SHAFT		*		1
39	SS1060210TP	SCREW 3/32-56 L=2.2		*		2
40	SD0500091TP	HINGE SCREW D= 5.0 H=0.9		*		1
41	SS7110740TP	SCREW 11/64-40 L=7		*		1
42	SS6110430TP	SCREW 11/64-40 L= 4.0		*		1
43	SM6030500SN	SCREW M3 L=5			☆	1
44	40006525	NEEDLE BAR THREAD GUIDE			☆	1
45	MDP170B1400	NEEDLE DPX17 #14			☆	1
46	SM1040650TP	SCREW				4
47	B2619372000	STOP MOTION TRIPPING LEVER CAM				1

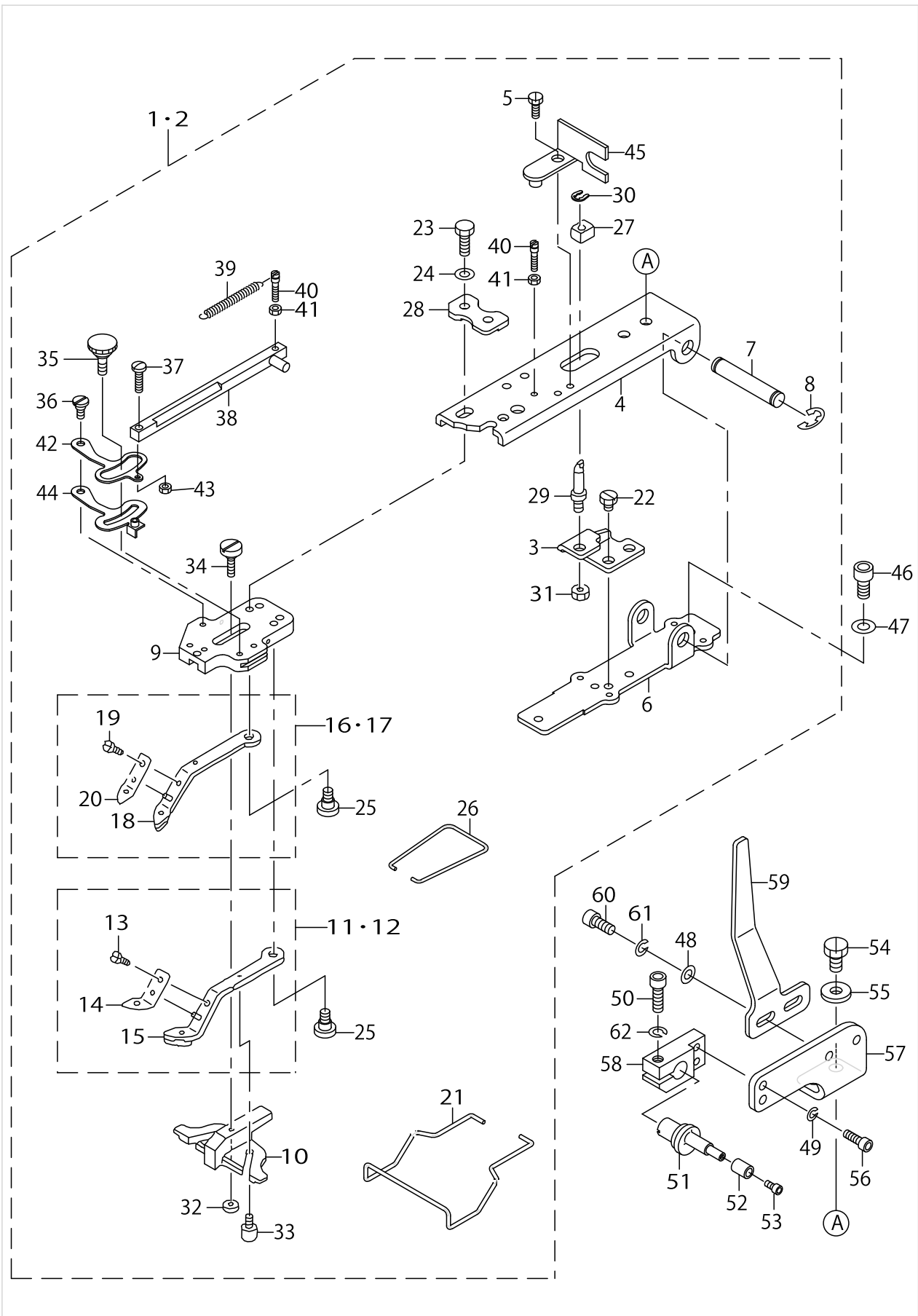
EXCLUSIVE PARTS FOR LK-1903BS-311,LK-1903BS-312 (2)



EXCLUSIVE PARTS FOR LK-1903BS-311,LK-1903BS-312 (2)

No.	Parts No.	Parts name	Remarks	Level	Cons	Qty
48	B185351200E	HOOK SHAFT WASHER				1
49	SD0791276TP	SHOULDER SCREW				1
50	SM6061802TP	SCREW M6 L=18				1

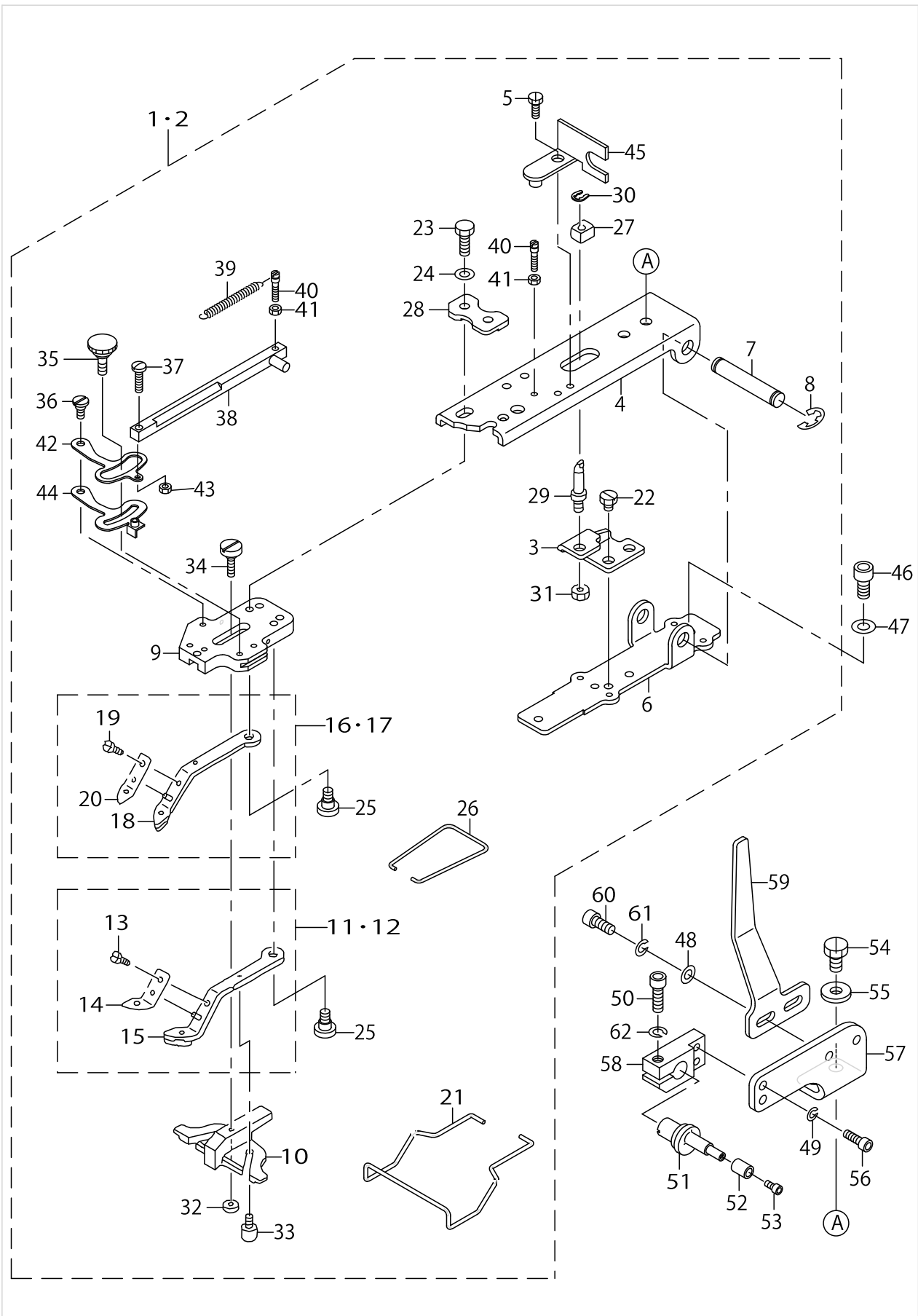
BUTTON CLAMP COMPONENTS



BUTTON CLAMP COMPONENTS

No.	Parts No.	Parts name	Remarks	Level	Cons	Qty
1	14190052	KNOB DEVICE JUNCTION COMPL.	FORLK-1903B-311			1
2	14190151	KNOB DEVICE JUNCTION COMPL.	FORLK-1903B-312			1
3	MAZ15514000	SUPPORT PLATE		*		1
4	14146203	PICK-UP FOOT INSTALLING BASE		*		1
5	SS9091010SP	SCREW 9/64-40 L=10		*		1
6	14146104	PICK-UP INSTALLING BASE		*		1
7	14141402	INSTALLING SHAFT		*		1
8	RE0700000K0	E-RING 7		*		2
9	14146302	PICK-UP FOOT INSTALLING BASE		*		1
10	MAZ16522000	BUTTON GUIDE FOOT		*		1
11	14190458	S BUTTON CLAMP JAW LEVER ASM. R	FORLK-1903B-311	*		1
12	MAZ166070B0	M BUTTON CLAMP JAW LEVER ASM. R	FORLK-1903B-312	*		1
13	SS7090410SP	SCREW 9/64-40 L=3.5		*		2
14	MAZ08829000	SPRING RIGHT		*		1
15	MAZ166070A0	M BUTTON CLAMP JAW LEVER ASM. R		*		1
16	14190557	S BUTTON CLAMP JAW LEVER ASM. L	FORLK-1903B-311	*		1
17	MAZ166080B0	KNOB FOOT JUNCTION (LEFT)	FORLK-1903B-312	*		1
18	MAZ166080A0	MIDDLE BUTTON CLAMP LEVER L		*		1
19	SS7090410SP	SCREW 9/64-40 L=3.5		*		2
20	MAZ08828000	SPRING LEFT		*		1
21	D3130M1YC00	FINGER GUARD		*		1
22	SS9110460CP	SCREW 11/64-40 L=4		*		2
23	SS9621413SP	SCREW 3/16-32 L=13.5		*		2
24	WP0501016SD	WASHER 5X10.5X1		*		2
25	SD0640391TP	HINGE SCREW D=6.35 H=3.9		*		2
26	B2561372000	BUTTON CLAMP SPRING		*		1
27	MAZ15515000	SLIDE BLOCK		*		1
28	14190300	FITTING BASE PRESSER PLATE		*		1
29	13540901	STATIONING BLOCK SHAFT		*		1
30	D2548232D00	SNAP RING FOR CONNECTING ROD		*		1
31	NS6150310SP	NUT 15/64-28		*		1
32	B2553372000	NUT		*		1
33	B2560372000	BUTTON CLAMP STOP PIN		*		2
34	SD0550303TP	HINGE SCREW D=5.5 H=3		*		1
35	B2549372R00	CLAMP SCREW A		*		1
36	SD0500404SP	HINGE SCREW		*		1
37	SS7091480SP	SCREW 9/64-40 L=13.5		*		1
38	MAZ088270A0	CLAMP PELEASE LINK ASM.		*		1
39	GBR01606000	RELEASE RETURN SPRING		*		1
40	GBR01607000	SPRING HOOK		*		2
41	NS6080210SP	NUT 1/8-44		*		2
42	GBR01601000A	CLAMP RELEASE LEVER		*		1
43	NS6090310SP	NUT 9/64-40		*		1
44	B2548372RA0	BUTTON CLAMP STOP LEVER ASM.		*		1
45	D2572M1YC0F	LINK SUPPORTING PLATE		*		1
46	SM6061202TP	SCREW M6 L=12				1
47	WP0612516SD	WASHER 6.1X15.2X2.5				1

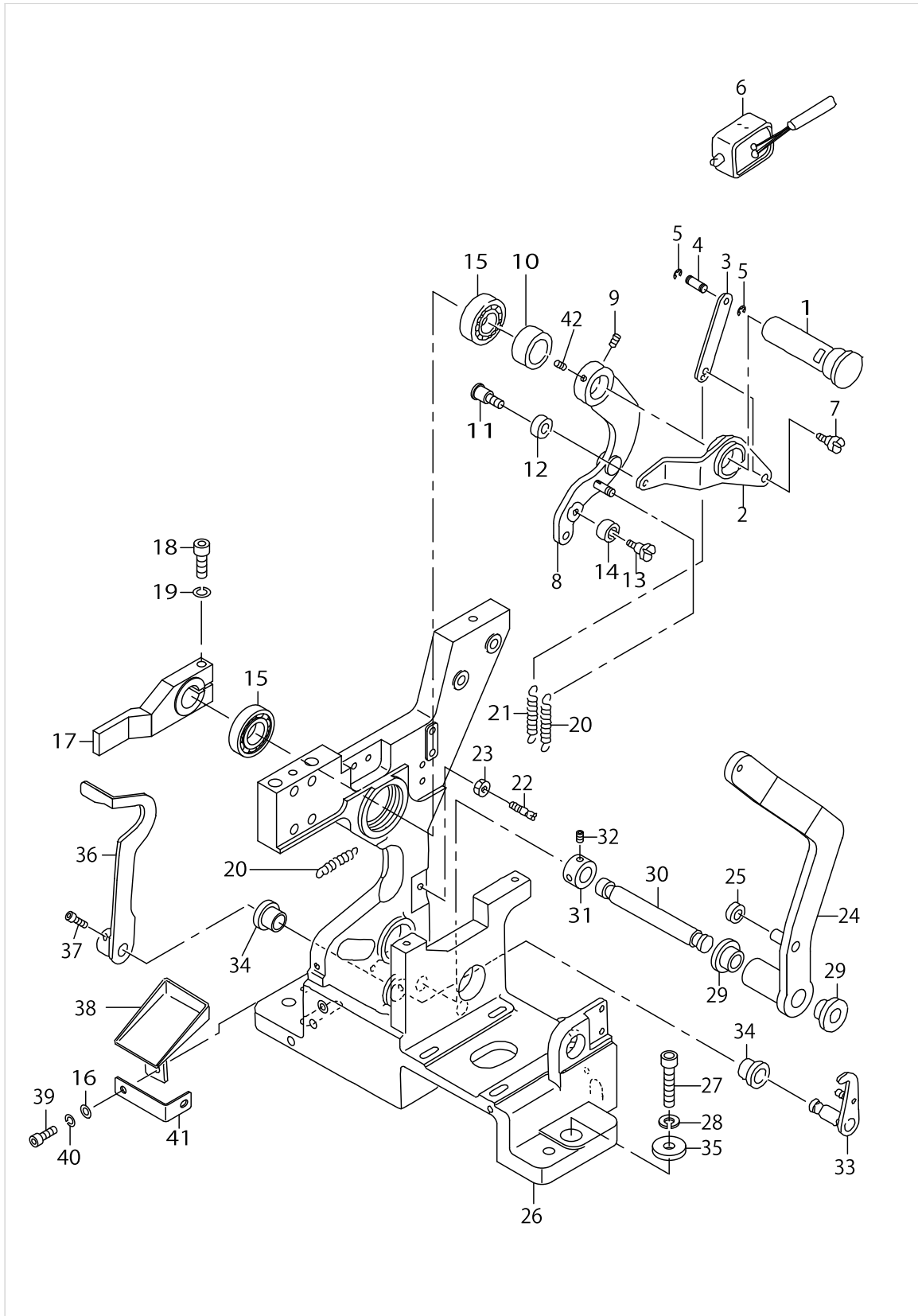
BUTTON CLAMP COMPONENTS



BUTTON CLAMP COMPONENTS

No.	Parts No.	Parts name	Remarks	Level	Cons	Qty
48	WP0531000SD	WASHER M5				2
49	WS0410002KN	SPRING WASHER				2
50	SM6051602TP	SCREW M5X0.8 L=16				1
51	18227603	HOOK				1
52	18200709	BUTTON GAUGE FOR FOUR HOLES				1
53	SM6030602TP	SCREW M3X0.5 L=6				1
54	SS9151120CP	SCREW 15/64-28 L=11				2
55	WP0612516SD	WASHER 6.1X15.2X2.5				2
56	SM6041202TP	SCREW M4X0.7 L=12				2
57	GBR25004000	HOLDER BRACKET				1
58	18209007	HOOK HOLDER				1
59	GBR25003000	LIFTING ACTUATING PLATE				1
60	SM6051202TP	SCREW M5X0.8 L=12				2
61	WS0510002KP	SPRING WASHER 5.1X9.2X1.3				2
62	WS0510002KP	SPRING WASHER 5.1X9.2X1.3				1

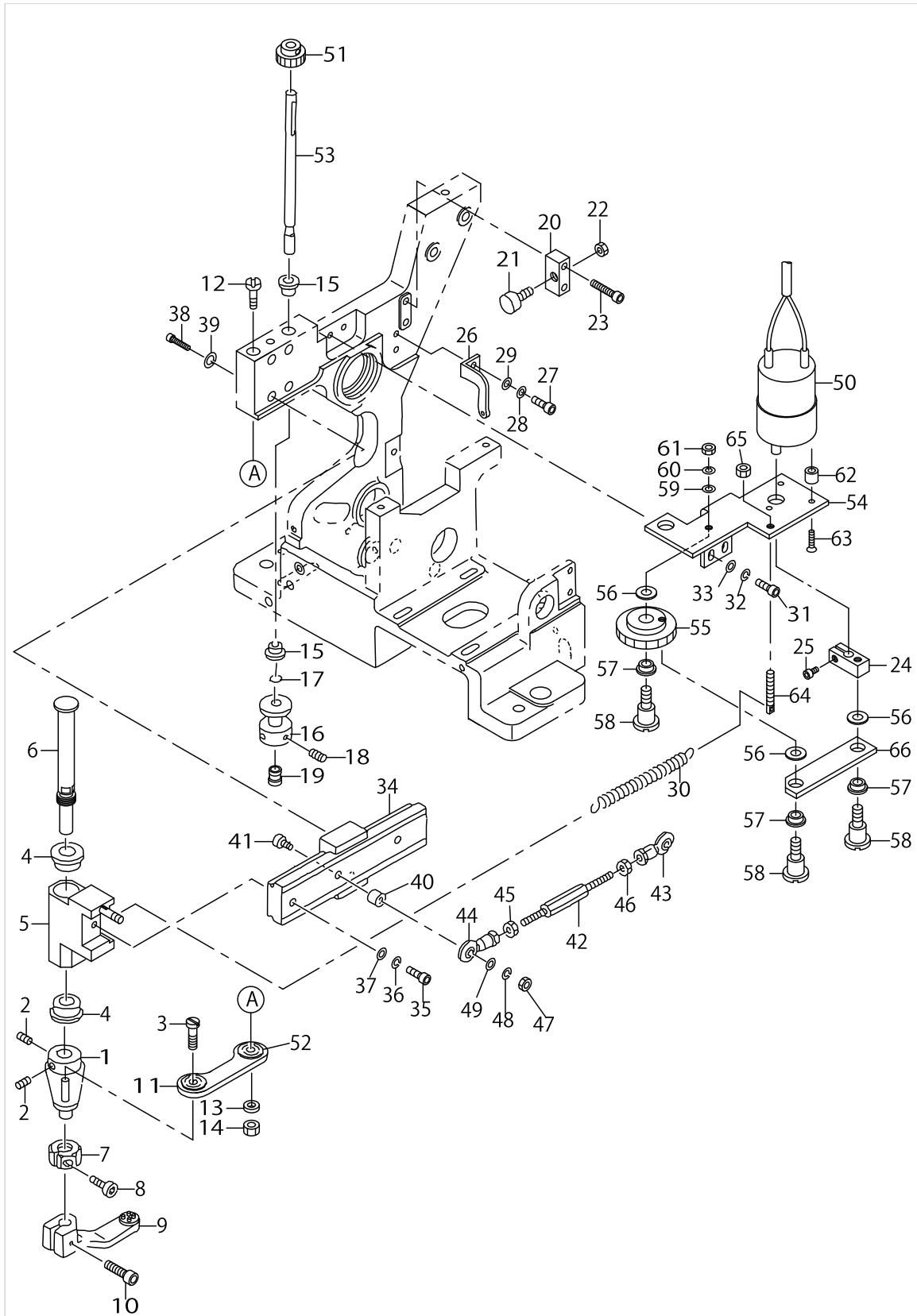
FINE POSITION OF BUTTONS COMPONENTS (1)



FINE POSITION OF BUTTONS COMPONENTS (1)

No.	Parts No.	Parts name	Remarks	Level	Cons	Qty
1	16552507	ARM SHAFT				1
2	18219709	RUBBING UP-AND-DOWN LEVER				1
3	18218206	RUBBING UP-AND-DOWN LINK				1
4	16557209	PIN				1
5	RE0200000K0	E-RING				2
6	GBR10852000	MAGNET				1
7	SD0600341TP	HINGE SCREW D=6.0 H=3.4				1
8	18227850	UP AND DOWN LEVER ASM.				1
9	SM8050602TP	SCREW M5 L=6				2
10	16552606	THRUST COLLAR				1
11	SD0600401TP	HINGE SCREW D=6 H=4				1
12	18219808	RUBBING ROLLER				1
13	SD0601021SP	HINGE SCREW D=6 H=10.2				1
14	16556706	BEARING				1
15	SB115000400	RADIAL BEARING				2
16	WP0430800SC	WASHER M4				1
17	18207902	UP AND DOWN ARM				1
18	SM6052502TP	SCREW M5X0.8 L=25				1
19	WS0510002KN	SPRING WASHER				1
20	16554008	SPRING				2
21	16553208	SPRING				1
22	16553307	HOOK				1
23	NM6050001SC	NUT M5				1
24	18206706	TURNING LEVER				1
25	16556805	COLLAR				1
26	18227702	MAIN BODY				1
27	SM6063002TP	SCREW M6 L=30				3
28	WS0610002KN	SPRING WASHER 6.1X12.2X1.5				3
29	16557506	LEVER SHAFT METAL				2
30	16554503	SHAFT				1
31	16559304	COLLAR				1
32	SM8040602TP	SCREW M4X0.7 L=6				2
33	18217752	CLAMP RELEASE ASM.				1
34	16557605	SHAFT BUSHING				2
35	16559601	WASHER				3
36	18206904	CLAMP RELEASE ARM				1
37	SM6050802TP	SCREW M5X0.8 L=8				2
38	16550105	SUPPORT PLATE				1
39	SM6040802TP	SCREW M4X0.7 L=8				1
40	WS0410002KN	SPRING WASHER				1
41	GBR25005000	CAM FIXING PLATE				1
42	SM8050612TP	SCREW M5X6				1

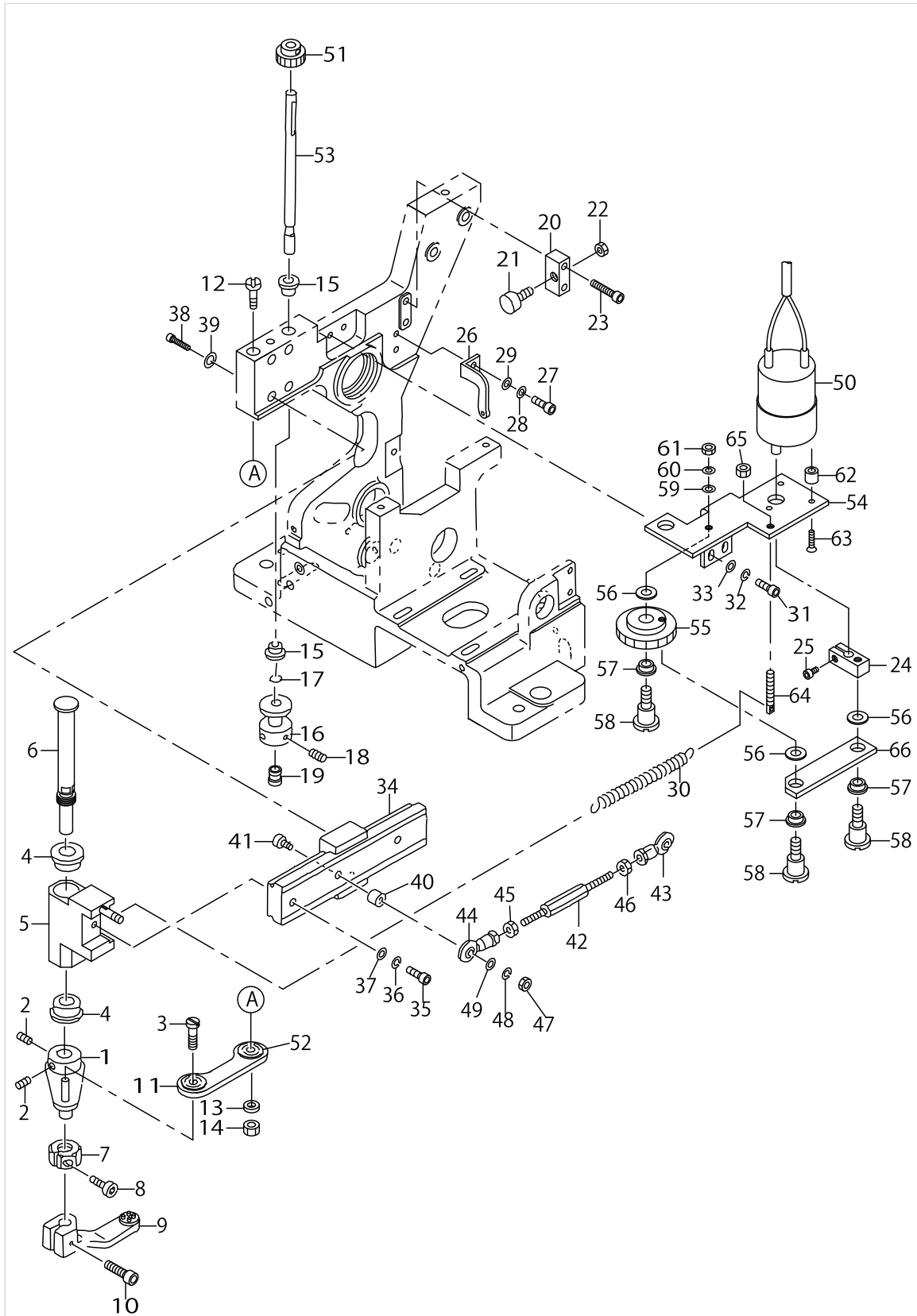
FINE POSITION OF BUTTONS COMPONENTS (2)



FINE POSITION OF BUTTONS COMPONENTS (2)

No.	Parts No.	Parts name	Remarks	Level	Cons	Qty
1	18206003	TURNING LEVER BOSS				1
2	SM8050602TP	SCREW M5 L=6				2
3	16550808	SCREW				1
4	16557407	ARM SHAFT METAL				2
5	18227959	TURNING HEAD ASM.				1
6	18205906	TURNING SHAFT				1
7	18206409	STOPPER				1
8	SM6031202TP	SCREW M3X0.5 L=12				1
9	16557902	BUTTON CARRIER A				1
10	SM6051402TP	SCREW M5X0.8 L=14				1
11	18206607	CONNECTING PLATE				1
12	18205708	SCREW				1
13	WS0510002KS	SPRING WASHER M5				1
14	NM6050001SC	NUT M5				1
15	16557308	METAL				2
16	16551905	HOOK				1
17	16558801	O-RING				1
18	SM8040602TP	SCREW M4X0.7 L=6				2
19	18200501	WORK ATTACHMENT (SMALL)			☆	1
20	18218800	STOPPER HOLDER				1
21	16552309	STOPPER				1
22	NM6040001SC	NUT M4				1
23	SM6042002TP	SCREW M4X0.7 L=20				2
24	GBR11112000	DRIVING ARM				1
25	SS6111052TP	SCREW				1
26	18205401	SPRING HOOK				1
27	SM6041202TP	SCREW M4X0.7 L=12				2
28	WS0410002KN	SPRING WASHER				2
29	WP0430800SC	WASHER M4				2
30	16551806	SPRING				1
31	SM6041002TP	SCREW M4 L=10				2
32	WS0410002KN	SPRING WASHER				2
33	WP0430800SC	WASHER M4				2
34	16556607	LM GUIDE				1
35	SM6041402TP	SCREW M4 L=14				1
36	WS0410002KN	SPRING WASHER				1
37	WP0430800SC	WASHER M4				1
38	SM6031402TP	SCREW				4
39	WS0310002KN	SPRING WASHER M3				4
40	16550402	COLLAR B				1
41	SM6042502TP	SCREW M4X0.7 L=25				1
42	16550204	CONNECTING ROD				1
43	16556409	ROD END				1
44	16556300	ROD END				1
45	NM6040001SC	NUT M4				1
46	GBR01175000	ROD END NUT LEFT				1
47	NM6040001SC	NUT M4				1

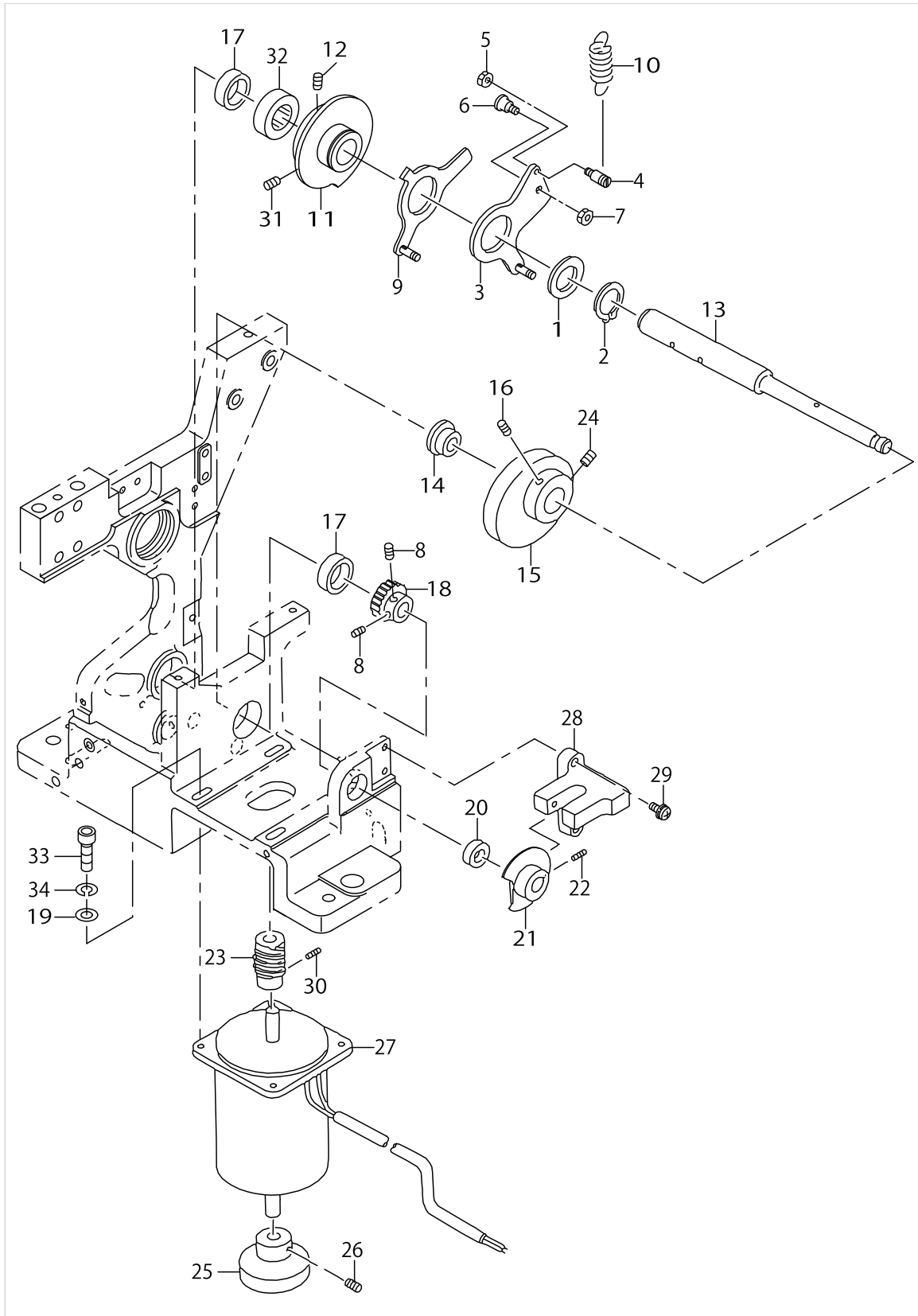
FINE POSITION OF BUTTONS COMPONENTS (2)



FINE POSITION OF BUTTONS COMPONENTS (2)

No.	Parts No.	Parts name	Remarks	Level	Cons	Qty
48	WS0410002KN	SPRING WASHER				1
49	WP0430800SC	WASHER M4				1
50	GBR108550A0	DC MOTOR ASM.				1
51	GBR11110000	PINION A				1
52	16556508	SPRIT				1
53	18206201	ROTATING ROD				1
54	GBR11109000	BRACKET				1
55	GBR11111000	PINION B				1
56	GBR11114000	WASHER				3
57	E5006171000	PS BEARING				3
58	SD0600651TP	HINGE SCREW				3
59	WP0430801SC	WASHER 4.3X9X0.8				1
60	WS0410002KN	SPRING WASHER				1
61	NS6110360SP	NUT				1
62	GBR11115000	MOTOR SPACER.				3
63	SM1031401SC	SCREW M3X0.5 L=14				3
64	26226506	SPRING HOOK				1
65	NS6110360SP	NUT				1
66	GBR11113000	LINK				1

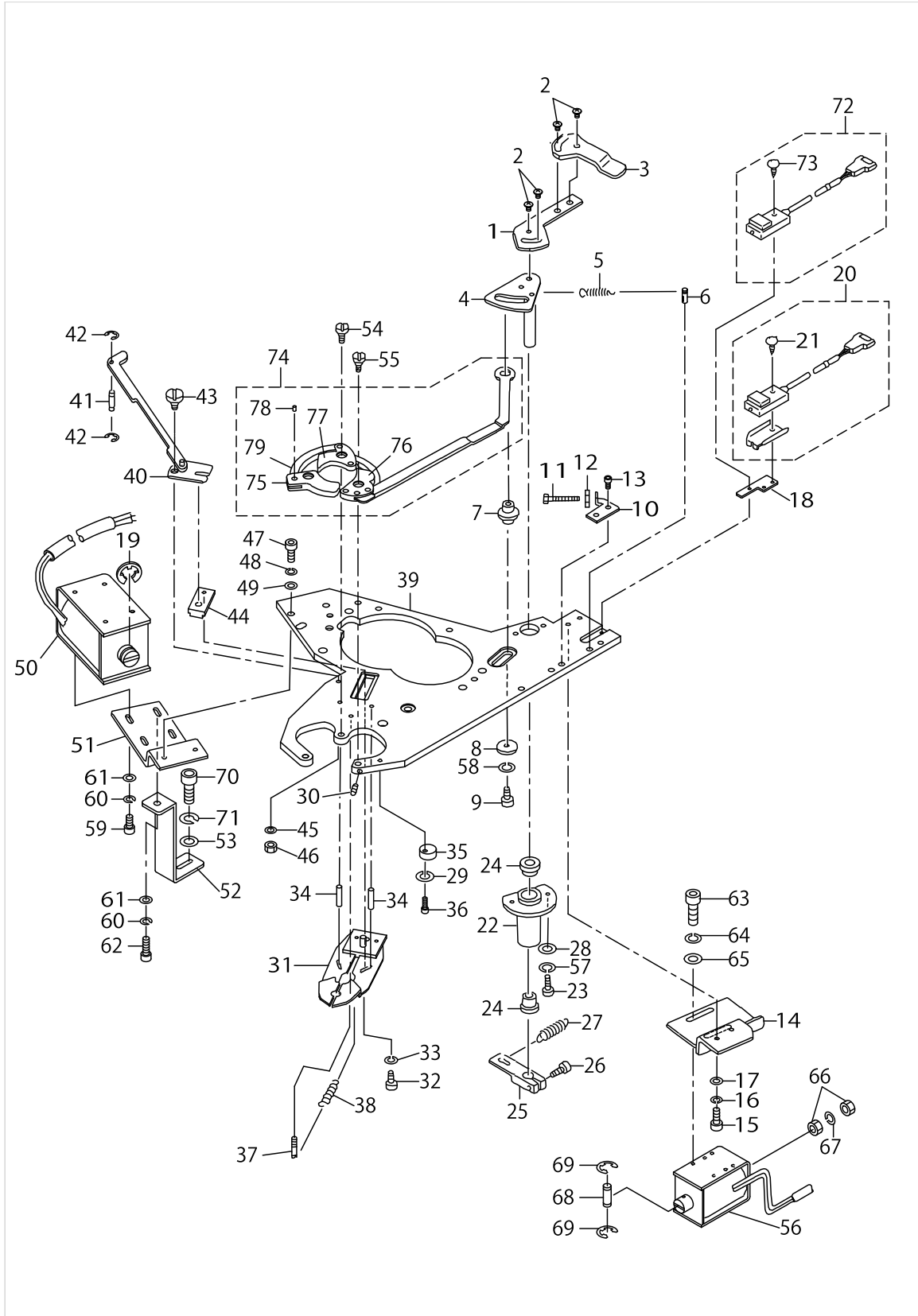
DRIVE CAM COMPONENTS



DRIVE CAM COMPONENTS

No.	Parts No.	Parts name	Remarks	Level	Cons	Qty
1	GBR01120000	COLLAR				1
2	RC2500001KP	RETAINING RING 25				1
3	18217950	START TIMING CAM ASM.				1
4	16562803	HOOK				1
5	NM6040001SC	NUT M4				1
6	16562902	HINGE SCREW				1
7	NM6050001SC	NUT M5				1
8	SM8050602TP	SCREW M5 L=6				2
9	18227553	HOLDING CLAMP DRIVE CAM ASM.				1
10	B1426771000	SPRING				1
11	18207209	DOUBLE CAM				1
12	SM8050612TP	SCREW M5X6				1
13	18207506	CAM SHAFT				1
14	16560104	CAM SHAFT COLLAR 1				1
15	16561607	SPINNER OSCILLATING ARM CAM				1
16	SM8050812TP	SCREW M5X8				1
17	GBR01168000	NEEDLE BEARING 3				2
18	16562001	WORM WHEEL				1
19	WP0641600SC	WASHEW 6.4X12.5X1.6				4
20	16562308	NEEDLE BEARING				1
21	16560302	SENSOR DOCK				1
22	SM8040602TP	SCREW M4X0.7 L=6				1
23	16562100	WORM GEAR				1
24	SM8050842TP	SETSCREW				1
25	16561904	MOTOR KNOB				1
26	SM8050602TP	SCREW M5 L=6				1
27	GBR108590A0	DC MOTOR ASM.				1
28	HD000360000	PHOTO MICRO SENSOR				1
29	SL4031081SC	SCREW M3 L=10				2
30	SM8040402TP	SCREW M4X0.7 L=4				2
31	SM8050842TP	SETSCREW				1
32	16560203	CAM SHAFT COLLAR 2				1
33	SM6062002TP	SCREW M6 L=20				4
34	WS0610002KN	SPRING WASHER 6.1X12.2X1.5				4

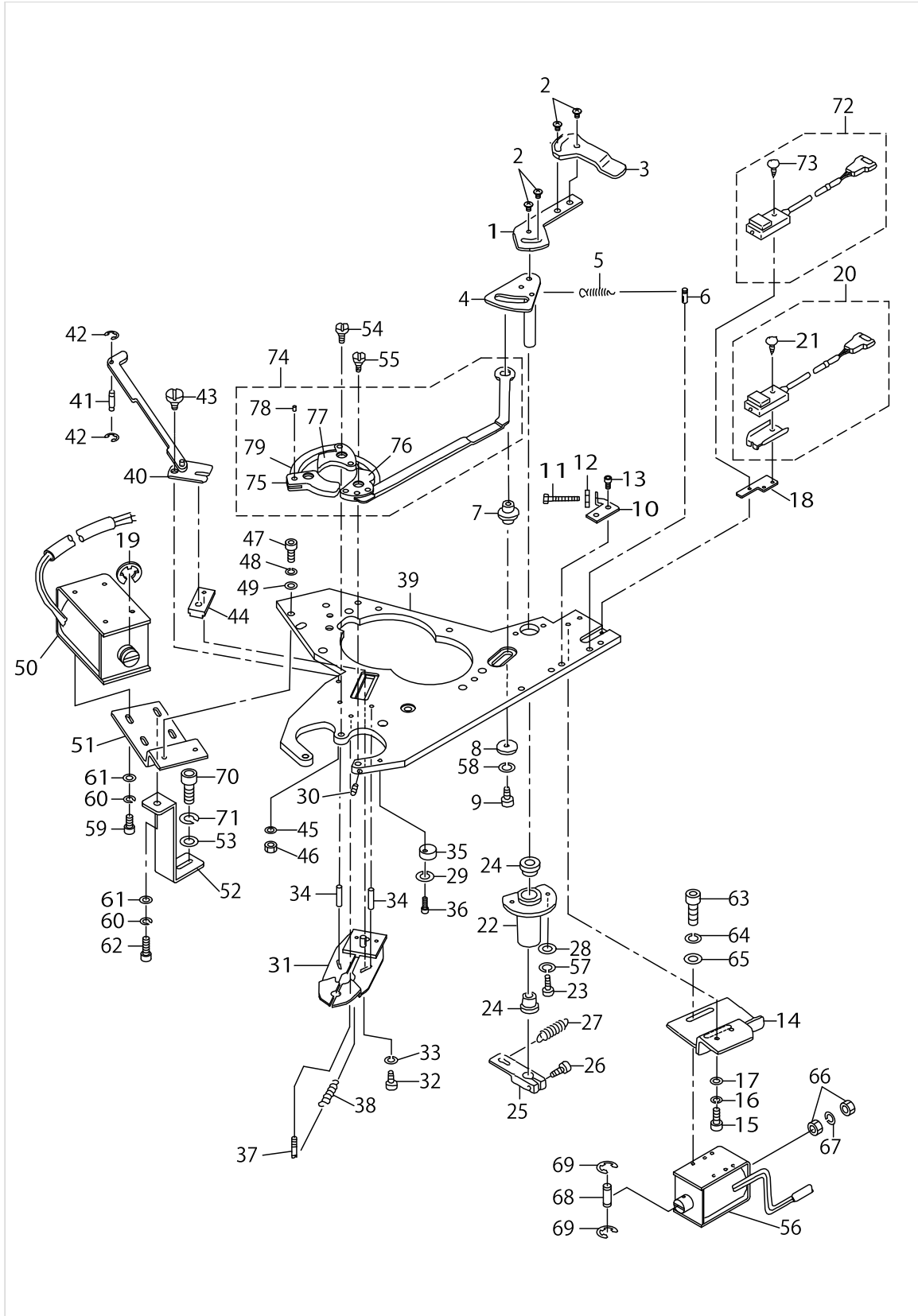
INDEX COMPONENTS (1)



INDEX COMPONENTS (1)

No.	Parts No.	Parts name	Remarks	Level	Cons	Qty
1	16566507	CHECK DOG				1
2	SM0040601SC	SCREW M4X0.7 L=6				4
3	16574105	DOG				1
4	16566002	SPINNER CAM				1
5	16553208	SPRING				1
6	18218909	DW PIN 4X12				1
7	16565707	SHAFT (3)				1
8	B2107816000A	WASHER				1
9	SM6041002TP	SCREW M4 L=10				1
10	16566606	STOPPER BKT				1
11	SM8042502TP	SCREW M4X0.7 L=25				1
12	NM6040001SC	NUT M4				1
13	SM6040802TR	SCREW M4X0.7 L=8				2
14	16567000	BRACKET (1)				1
15	SM6041002TP	SCREW M4 L=10				2
16	WS0410002KN	SPRING WASHER				2
17	WP0430800SC	WASHER M4				2
18	16574006	BRACKET				1
19	RE1200000K0	E-RING 12				1
20	GBR108430A0	RUB COMPLETION SWITCH ASM.				1
21	SM0861201SA	SCREW		*		1
22	16565905	CUPLING				1
23	SM6041002TP	SCREW M4 L=10				2
24	16572406	METAL				2
25	16566408	LINK LEVER				1
26	SM6041202TP	SCREW M4X0.7 L=12				1
27	18201608	SPRING 2				1
28	WP0430800SC	WASHER M4				2
29	WP0430800SC	WASHER M4				1
30	SM8030402TP	SCREW M3X0.5 L=4				1
31	16567166	SHUTTER PLATE ASM.				1
32	SM6041202TP	SCREW M4X0.7 L=12				1
33	WS0410002KN	SPRING WASHER				1
34	18204107	PIN				2
35	18209502	ECCENTRIC STOPPER				1
36	SM6041202TP	SCREW M4X0.7 L=12				1
37	18219204	DW PIN 4X18				1
38	16554008	SPRING				1
39	18217505	TOP PLATE				1
40	16567802	LINK PLATE				1
41	16572505	PIN				1
42	RE0250000K0	E-RING 2.5				2
43	16567901	HING SCREW				1
44	16573305	SLIDER BLOCK				1
45	WS0410002KN	SPRING WASHER				2
46	NM6040001SC	NUT M4				2
47	SM6041002TP	SCREW M4 L=10				2

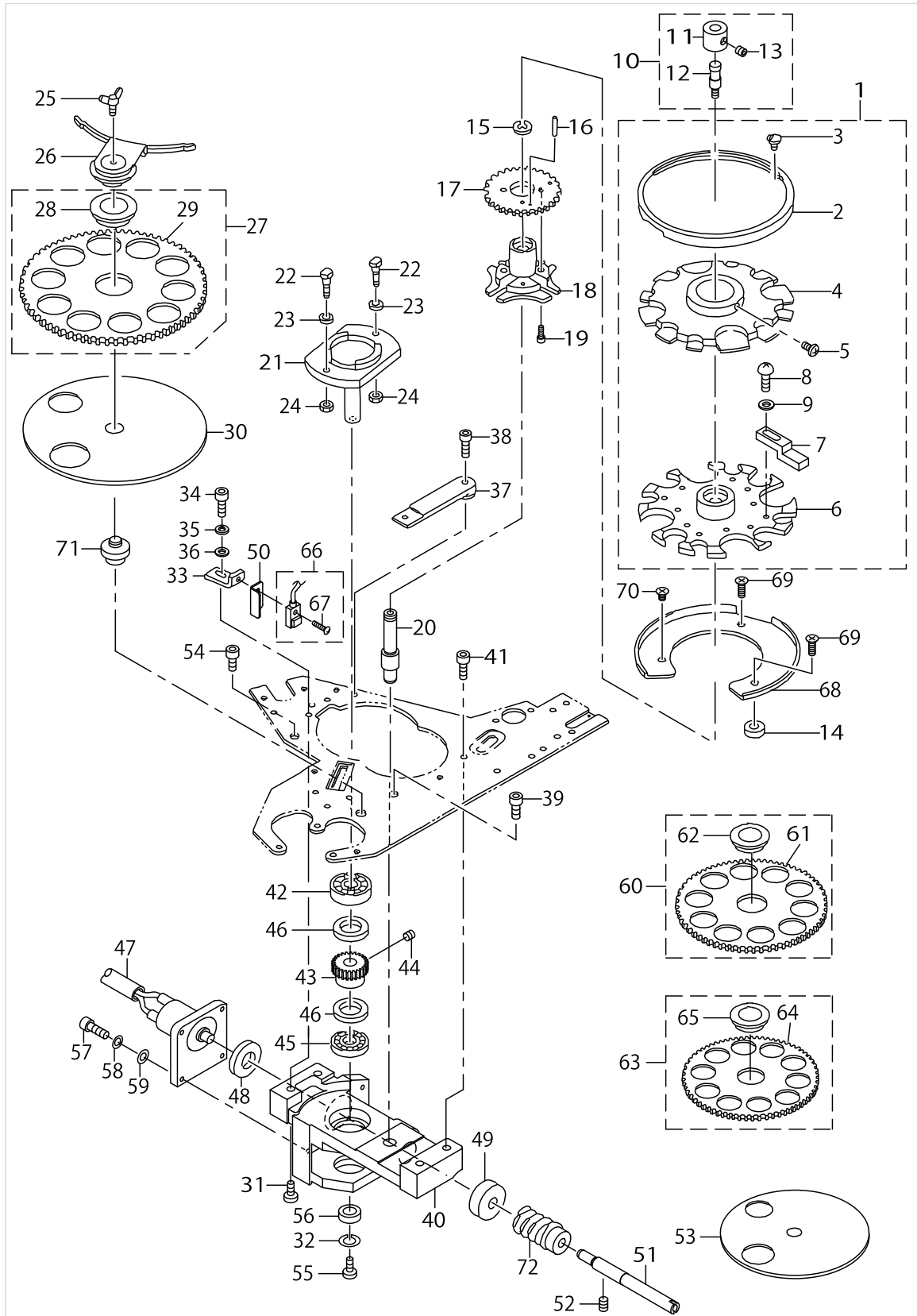
INDEX COMPONENTS (1)



INDEX COMPONENTS (1)

No.	Parts No.	Parts name	Remarks	Level	Cons	Qty
48	WS0410002KN	SPRING WASHER				2
49	WP0430800SC	WASHER M4				2
50	GBR10853000	MAGNET				1
51	16568206	BRACKET (2)				1
52	16574204	SUPPORT PLATE				1
53	WP0641600SC	WASHEW 6.4X12.5X1.6				1
54	16565400	HING PIN (2)				2
55	16565509	HING PIN (1)				1
56	GBR10854000	MAGNET				1
57	WS0410002KN	SPRING WASHER				2
58	WS0410002KN	SPRING WASHER				1
59	SM6040802TP	SCREW M4X0.7 L=8				3
60	WS0410002KN	SPRING WASHER				4
61	WP0430800SC	WASHER M4				4
62	SM6041202TP	SCREW M4X0.7 L=12				1
63	SM6040802TP	SCREW M4X0.7 L=8				2
64	WS0410002KN	SPRING WASHER				2
65	WP0430800SC	WASHER M4				2
66	NM6040001SC	NUT M4				2
67	WS0410002KN	SPRING WASHER				1
68	16557209	PIN				1
69	RE0200000K0	E-RING				2
70	SM6061602TP	SCREW M6 L=16				1
71	WS0610002KN	SPRING WASHER 6.1X12.2X1.5				1
72	GBR108440A0	BUTTON SENSOR SWITCH ASM.				1
73	SM0861201SA	SCREW M2.6 L=12		*		1
74	18202150	CHECK ASM. A				1
75	18204909	CHECK E		*		1
76	18202101	CHECK C		*		1
77	18202200	CHECK D		*		1
78	16572000	PIN		*		5
79	16565301	STITCH TONGUE LINK		*		2

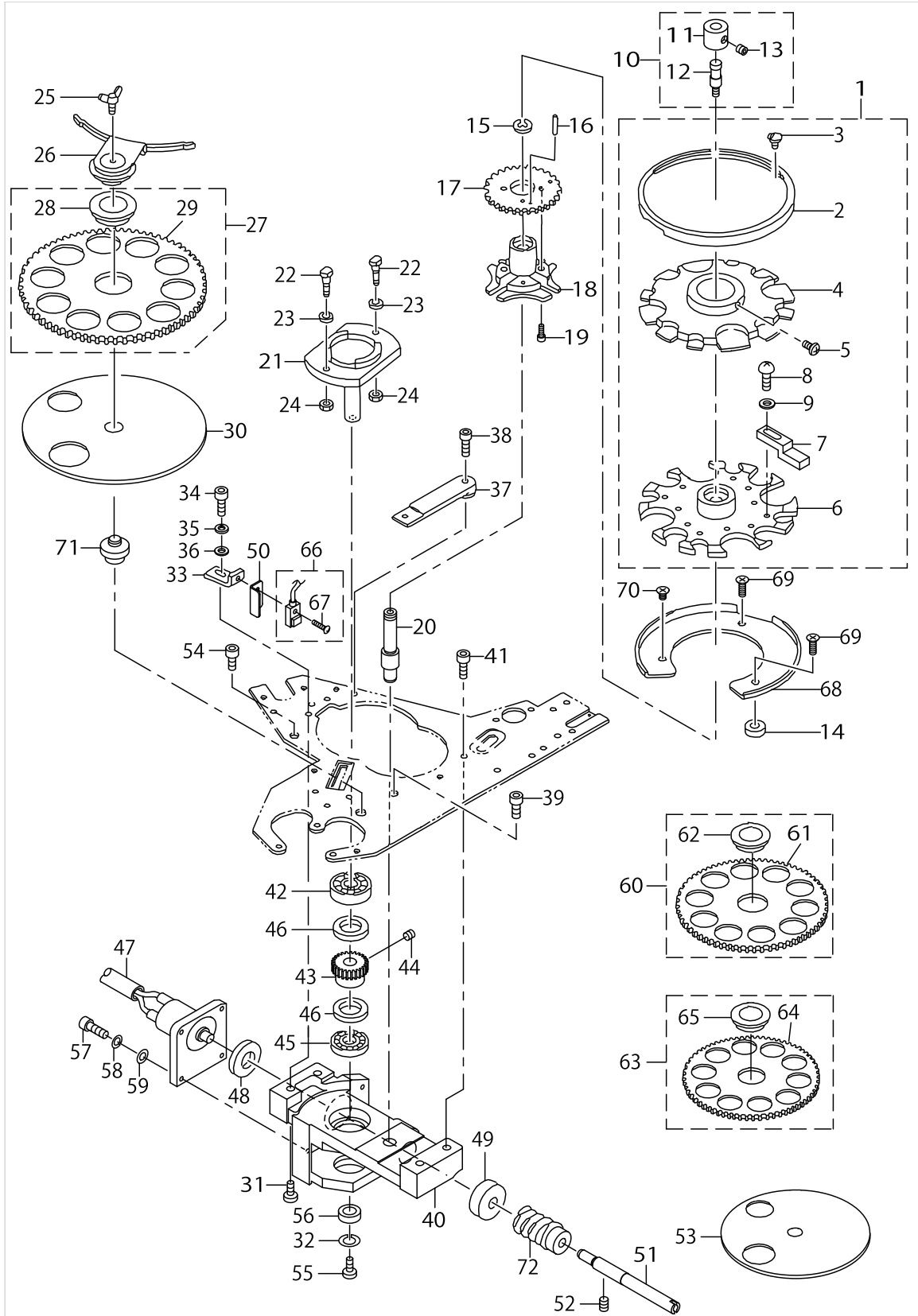
INDEX COMPONENTS (2)



INDEX COMPONENTS (2)

No.	Parts No.	Parts name	Remarks	Level	Cons	Qty
1	18201962	FEED ACROSS PLATE ASM. A				1
2	16573701	RING		*		1
3	SM0040601SC	SCREW M4X0.7 L=6		*		2
4	18203307	ADJUSTING PLATE		*		1
5	SL4030881SC	SCREW M3 L=8		*		1
6	18201905	FEED PLATE A		*		1
7	18202002	BUTTON ADJUST A		*		8
8	SM4860501SC	SCREW M 2.6 X 5		*		8
9	WP0280500SC	WASHER		*		8
10	18213454	LOCK SCREW ASM.				1
11	18213405	LOCK COLLAR		*		1
12	18213504	LOCK SHAFT		*		1
13	SM8050502TP	SCREW M5 L=5		*		1
14	16573008	COLLAR				2
15	16571903	CLIP				1
16	18204206	PIN				1
17	16569600	GEAR				1
18	16569501	GENEVA				1
19	SM6030802TP	SCREW M3X0.5 L=8				2
20	18219501	DIVIDING MAIN SHAFT				1
21	16570103	WHEEL				1
22	16570202	SCREW				2
23	16570301	COLLAR				2
24	NM6040001SC	NUT M4				2
25	18204503	WING BOLT				1
26	16568909	COVER CAP				1
27	18200352	FEED PLATE CIRCLE 16 ASM.	FOR SMALL-SIZED BUTTON			1
28	16572703	METAL		*		1
29	18200303	FEED PLATE 16		*		1
30	16568404	FERRULE DISC				1
31	SM6052002TP	SCREW M5 L=20				1
32	WS0410002KN	SPRING WASHER				1
33	16570707	SENSOR BRACKET				1
34	SM6040802TR	SCREW M4X0.7 L=8				1
35	WS0410002KN	SPRING WASHER				1
36	WP0430800SC	WASHER M4				1
37	16570905	STAND PLATE (1)				1
38	SM6041202TP	SCREW M4X0.7 L=12				1
39	SM6051202TP	SCREW M5X0.8 L=12				1
40	18219600	GENEVA HOUSE				1
41	SM6051602TP	SCREW M5X0.8 L=16				3
42	SB110000400	BALL BEARING				1
43	16562001	WORM WHEEL				1
44	SM8050602TP	SCREW M5 L=6				2
45	16571804	BEARING A				1
46	16573909	THRUST COLLAR				2
47	GBR108560A0	DC MOTOR ASM.				1

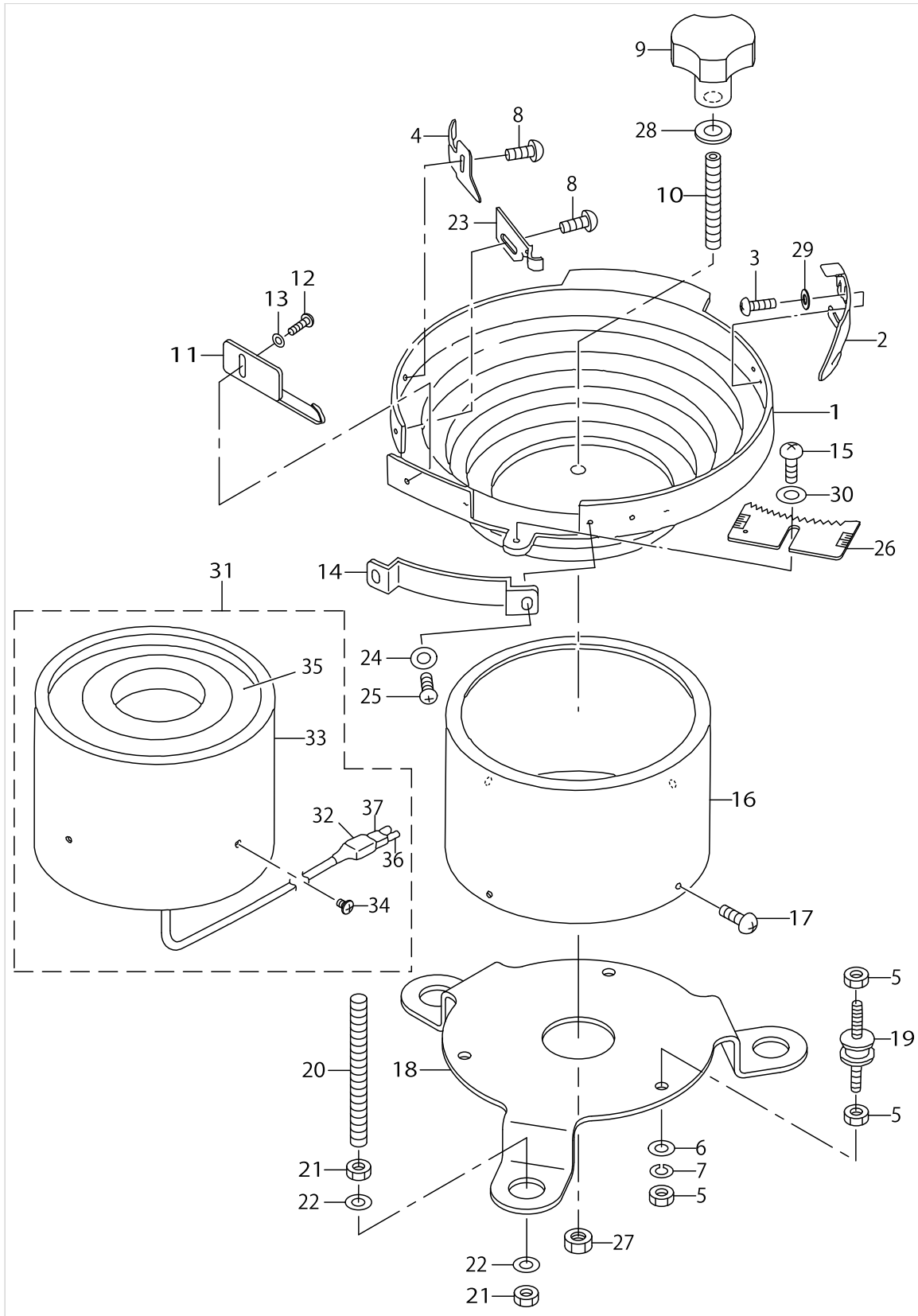
INDEX COMPONENTS (2)



INDEX COMPONENTS (2)

No.	Parts No.	Parts name	Remarks	Level	Cons	Qty
48	16570509	THRUST COLLAR				1
49	16571408	NEEDLE BEARING				1
50	18212902	SENSOR COVER				1
51	16570608	SHAFT				1
52	SM8040402TP	SCREW M4X0.7 L=4				2
53	18201103	HOLDING PLATE (SMALL)	OPTIONAL PARTS			1
54	SM6051202TP	SCREW M5X0.8 L=12				1
55	SM6041002TP	SCREW M4 L=10				1
56	B2107816000	WASHER				1
57	SM6030802TP	SCREW M3X0.5 L=8				4
58	WS0310002KN	SPRING WASHER M3				4
59	WP0320500SC	WASHER M3				4
60	16568651	FEED PLATE 22B ASM.	FOR MEDIUM-SIZED BUTTON			1
61	16568602	FEED PLATE 22B	FOR MEDIUM-SIZED BUTTON	*		1
62	16572703	METAL		*		1
63	18200956	FEED PLATE CIRCLE 13.5 ASM.	OPTIONAL PARTS			1
64	18200907	FEED PLATE 12.5	OPTIONAL PARTS	*		1
65	16572703	METAL		*		1
66	GBR108450A0	INDEX STARTING SWITCH ASM.				1
67	SM0861201SA	SCREW		*		1
68	16569204	REST				1
69	SM1041201SC	SCREW M4 L=12				2
70	SM1040601SC	SCREW M4X0.7 L=6				1
71	18218008	SHAFT (2)				1
72	16571606	WORM GEAR				1

FEEDER BALL COMPONENTS



FEEDER BALL COMPONENTS

No.	Parts No.	Parts name	Remarks	Level	Cons	Qty
1	16577009	FEEDER BOWL				1
2	GBR01426000	GUIDE PLATE				1
3	SS4110815SP	SCREW 11/64-40 L=8				2
4	GBR01441000	BUTTON STANDING PREVENT PLATE				1
5	NM6060001SC	NUT M6				9
6	WP0641600SC	WASHEW 6.4X12.5X1.6				3
7	WS0610002KN	SPRING WASHER 6.1X12.2X1.5				3
8	SM4040801SN	SCREW M4 L=8				2
9	18204602	BOWL FIXING KNOB				1
10	SM8086012TP	SCREW M8 L=60				1
11	16577504	SELECTOR PLATE				1
12	SM4040801SN	SCREW M4 L=8				1
13	WP0430800SC	WASHER M4				1
14	GBR01428000	GUIDE PLATE				1
15	SM4051001SN	SCREW M5				1
16	16577207	P/F COVER				1
17	SM0040601SC	SCREW M4X0.7 L=6				4
18	40014217	P/F INSTALLING BASE				1
19	16579203	RUBBER VIBRATION INSULATOR				3
20	16577306	MOUNTING BOLT				3
21	NM6080001SC	NUT M8X1.25				6
22	16577405	WASHER				6
23	18202408	BUTTON GUIDE A				1
24	WP0320500SC	WASHER M3				2
25	SM4030601SN	SCREW M3 X 6				2
26	GBR014220A0	SELECTION PLATE ASM. (SMALL)				1
27	NM6080001SC	NUT M8X1.25				1
28	WP0841601SC	WASHER 8.4X17.4X1.6				1
29	WP0450801SD	WASHER 4.5X10X0.8				2
30	WP0531000SC	WASHER 5.3X10X1				1
31	GBR107910A0	PARTS FEEDER ALL ASM.	FOR USE IN JAPAN AND GENERAL EXPORT			1
32	HK004490020	CONNECTOR COVER		*		1
33	16577207	P/F COVER		*		1
34	SM0040601SC	SCREW M4X0.7 L=6		*		4
35	GBR10791000	PARTS FEEDER		*		1
36	HK004440020	2-POLE RECEPTACLE		*		1
37	D6042555B00	PIN TERMINAL FEMALE		*		2

TABLE & COVER COMPONENTS

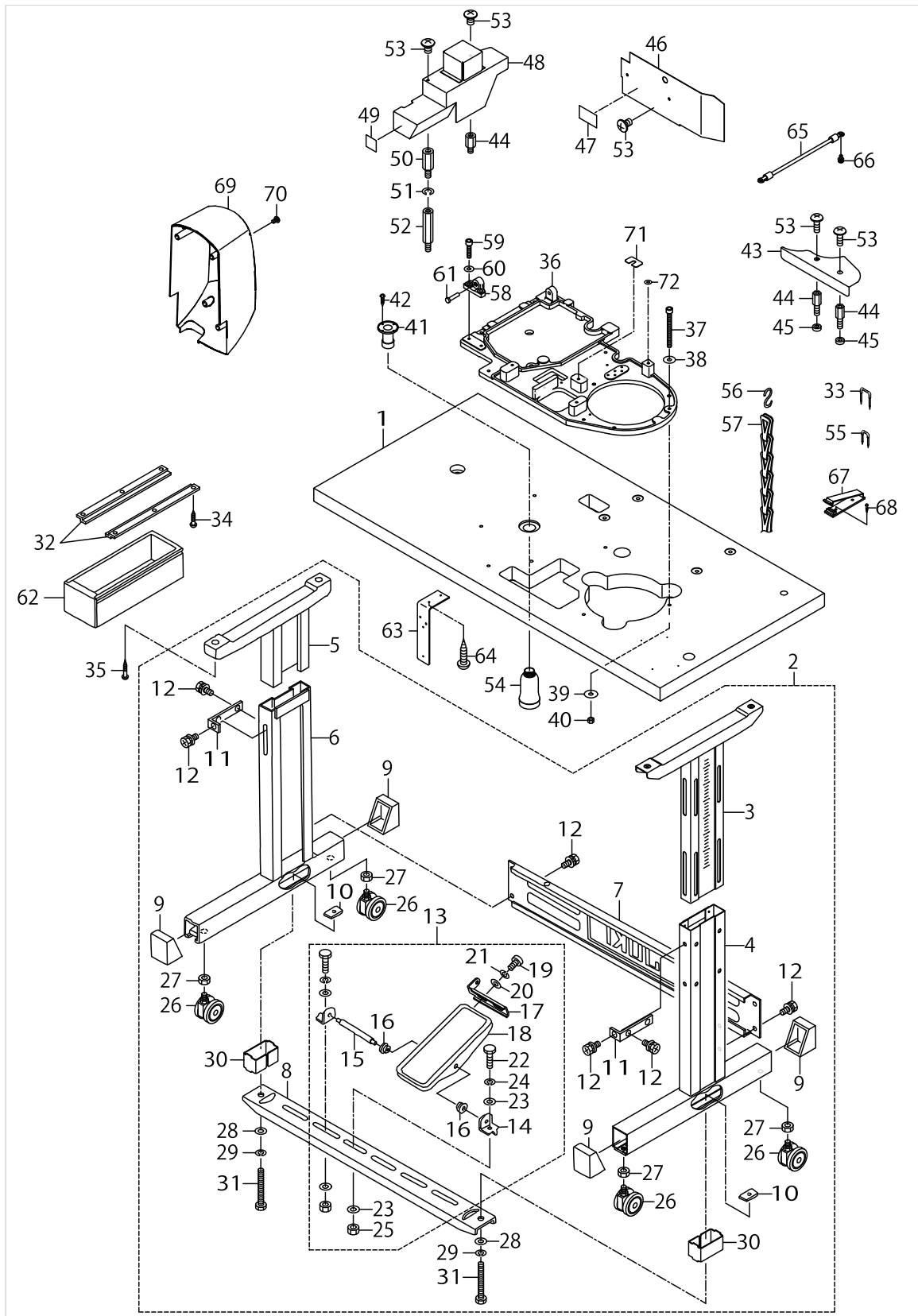


TABLE & COVER COMPONENTS

No.	Parts No.	Parts name	Remarks	Level	Cons	Qty
1	40148338	TABLE			☆	1
2	14191951	T-STAND COMPL.	OPTIONAL PARTS			1
3	14118152	UPPER STAND ASM. RIGHT		*		1
4	14118251	STAND ASM. RIGHT		*		1
5	B8101210AAB	UPPER STAND ASM.		*		1
6	B8105210AAA	STAND ASM.		*		1
7	11158300	STAND SIDE SUPPORT		*		1
8	11158409	STAND SIDE SUPPORT		*		1
9	11158607	RUBBER CAP		*		4
10	17007402	NUT		*		2
11	11158516	UPPER STAND PLATE		*		2
12	SL9082091SE	WASHER HEXAGONAL BOLT		*		10
13	13817754	Z-STAND PEDAL ASM.		*		1
14	11159001	PEDAL SHAFT BRACKET		*		2
15	B8153771000	PEDAL CONNECTING ROD		*		1
16	D8113555B00	PEDAL BUSHING		*		2
17	GPF06080000	PEDAL ADJUSTING PLATE		*		1
18	GPF060600A0	PEDAL ASM.		*		1
19	SM9061203SE	SCREW M6 L=12		*		2
20	WP0671016SE	WASHER 6.7X13X1		*		2
21	WS0621210KR	SPRING WASHER 6.2X11.4X1.2		*		2
22	SM9082023SE	SCREW M8 L=20		*		2
23	WP0871602SE	WASHER 8.7X18X1.6		*		4
24	WS0861410KR	SPRING WASHER 8.6X15X1.4		*		2
25	NM6080721SE	NUT M8		*		2
26	B8150210000	CASTER		*		4
27	NM6120003SE	NUT M12		*		4
28	WP0871602SE	WASHER 8.7X18X1.6		*		2
29	WS0861410KR	SPRING WASHER 8.6X15X1.4		*		2
30	11159506	STRUT AUXILIARY PLATE		*		2
31	SM9086523SE	HEXAGONAL BOLT		*		2
32	11155207	DRAWER SUPPORT	ACCESSORIE PARTS			2
33	D8204555D00	DRAWER STOPPER				3
34	SK3311601SE	WOOD SCREW D=3.1 L=16	ACCESSORIE PARTS			6
35	SK3483201SE	WOOD SCREW D=4.8 L=32				4
36	40014216	BASE				1
37	SM6066552TP	BOLT				6
38	WP0612056SD	WASHER 6.1X18.5X2				6
39	WP0651646SC	WASHER				6
40	NM6060001SC	NUT M6				6
41	B8202205000	OIL MANAGEMENT				1
42	SK3311601SE	WOOD SCREW D=3.1 L=16				4
43	18222604	FRONT COVER A				1
44	HX003390000	STUD				3
45	B3052816000	WASHER				2
46	40014221	FRONT COVER B				1

TABLE & COVER COMPONENTS

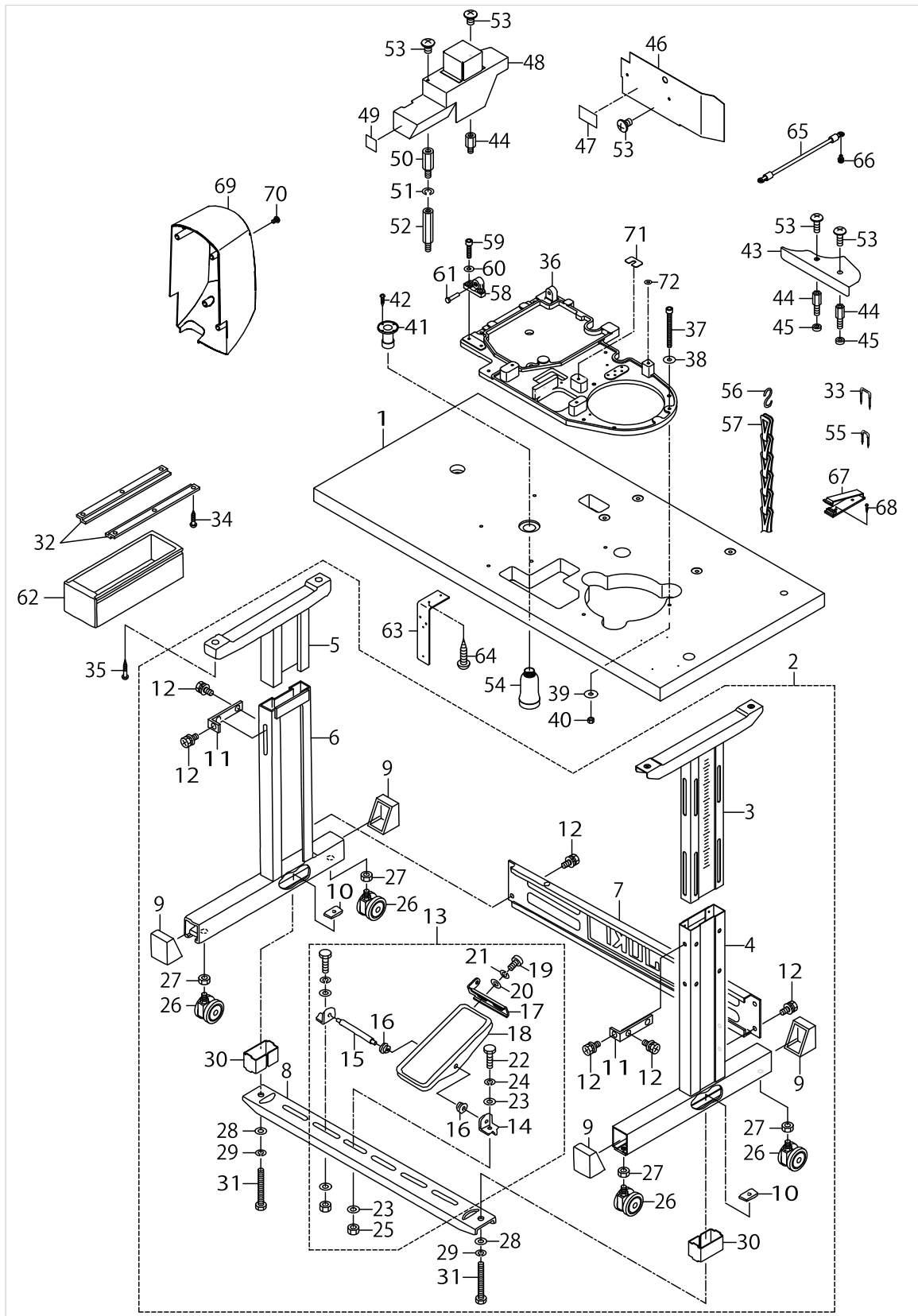
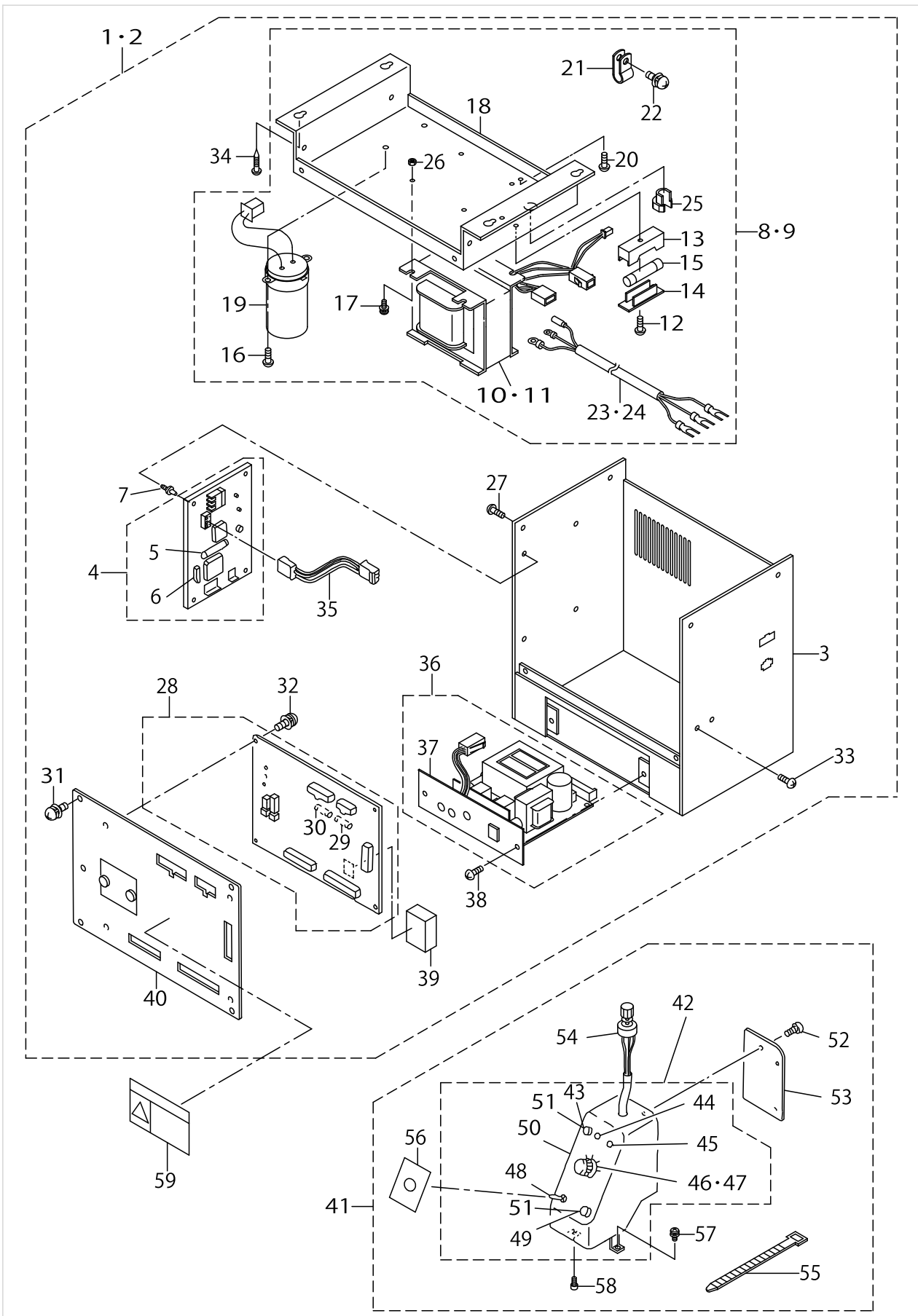


TABLE & COVER COMPONENTS

No.	Parts No.	Parts name	Remarks	Level	Cons	Qty
47	CM3002002B1	SAFETY LABEL 13	FOR USE IN JAPAN AND GENERAL EXPORT			1
48	40014220	HEAD COVER				1
49	16586505	DANGER PREVENTION STICKER				1
50	HX00339000F	SPACER				1
51	WS0410002KN	SPRING WASHER				1
52	HX00339000B	BOARD PARTS				1
53	SM0040601SA	SCREW				6
54	B9121012000	OIL CAN				1
55	MAO11532000	CORD STAPLE				11
56	13160304	S SHAPED HOOK	ACCESSORIE PARTS			2
57	26037903	CHAIN	ACCESSORIE PARTS			1
58	GBR25006000	HEAD FIXING HINGE				1
59	SM6062502TP	SCREW M6 L=25				2
60	WP0611626SP	WASHER 15X6X1.6				2
61	D2431555B00	THREAD TRIMMER SHAFT				2
62	11155108	DRAWER	ACCESSORIE PARTS			1
63	B5542205000	TERMINAL BRACKET				1
64	SK3311601SE	WOOD SCREW D=3.1 L=16				2
65	GBR308650A0	BASE EARTH CORD ASM.				1
66	SL4041091SC	SCREW M4 L=10				1
67	M964051000A	CABLE CLIP				1
68	SK3382001SE	SCREW D=3.8 L=20				2
69	40006475	MOTOR COVER				1
70	SM5040855SN	SCREW				4
71	GBR25010000	BODY FRAME SPACER A				3
72	WP0621036SP	WASHER				1

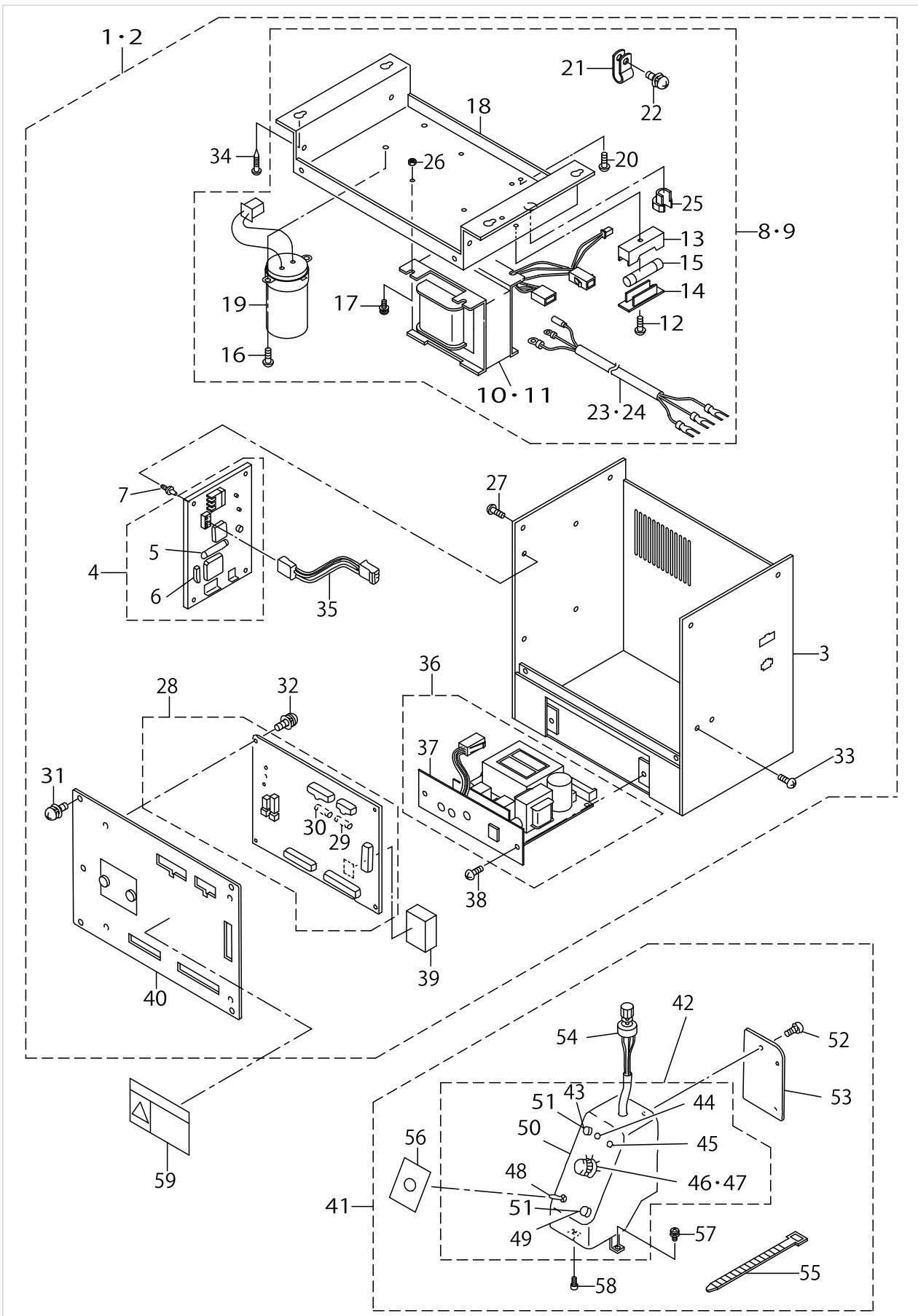
BR CONTROL BOX COMPONENTS (FOR USE IN JAPAN AND GENERAL EXPORT)



BR CONTROL BOX COMPONENTS (FOR USE IN JAPAN AND GENERAL EXPORT)

No.	Parts No.	Parts name	Remarks	Level	Cons	Qty
1	40014506	CONTROL BOX B ASM.	FOR 220V,240V			1
2	40014495	CONTROL BOX A ASM.	FOR 100V,200V			1
3	GBR107240A0	CONTROL BOX FRAME BODY ASM.		*		1
4	GBR107610A0	POWER BOARD		*		1
5	E9613601000	FUSE 2A		*		1
6	HA002980000	BREAKER 5A		*		1
7	HX00228000A	SPACER		*		4
8	GBR107460AB	TRANS BASE B COMPLE.	FOR 220V,240V	*		1
9	GBR107460AA	TRANS BASE A COMPLE.	FOR 100V,200V	*		1
10	GBR107480AA	TRANS A ASM.	FOR 100V,200V	*		1
11	GBR107480AB	TRANS B ASM.	FOR 220V,240V	*		1
12	SM4041001SC	SCREW M4X0.7 L=10		*		1
13	HF005111000	FUSE HOLDER		*		1
14	HF00511100B	FUSE HOLDER COVER		*		1
15	E9613601000	FUSE 2A		*		1
16	SL4030681SC	SCREW M3 L=6		*		2
17	SL4041291SC	SCREW M4 L=12		*		4
18	GBR10747000	TRANSFORMER BASE		*		1
19	GBR107430A0	CONDENSER ASM.		*		1
20	SL4040891SC	SCREW M4 L=8		*		2
21	HX00150000B	CABLE CLIP		*		1
22	SL4030881SC	SCREW M3X8		*		1
23	GBR107450A0	AC INPUT POWER CABLE CORD ASM.	FOR 100V,200V	*		1
24	GBR107440A0	AC INPUT POWER CABLE CORD ASM.	FOR 220V,240V	*		1
25	HX000980000	CORD BUSH		*		1
26	NM6040001SF	NUT M4		*		4
27	SL4040891SC	SCREW M4 L=8		*		4
28	GBR107510A0	CPU BOARD ASM.		*		1
29	HF0084020P0	FUSE 2A		*		1
30	HF0084063P0	FUSE		*		1
31	SL4040891SC	SCREW M4 L=8		*		4
32	SL4030681SC	SCREW M3 L=6		*		4
33	SL4040891SC	SCREW M4 L=8		*		2
34	SK3452501SE	SCREW D=4.5 L=25		*		4
35	GBR107720A0	CPU BOARD POWER CORD ASM.		*		1
36	GBR107740A0	P/F CONTROLLER ASM.		*		1
37	GBR10775000	P/F PANEL		*		1
38	SM5040601SC	SCREW M4X0.7 L=6		*		2
39	HL008730140	IC		*		1
40	GBR207340A0	CONTROL BOX FRAME COVER ASM.		*		1
41	GBR30784AA0	OPERATION PANEL WHOLE ASM. (A)				1
42	GBR107850A0	PANEL ASM.		*		1
43	HA00191001B	OPERATION BUTTON		*		1
44	HG00291000A	LED (GREEN)		*		1
45	HG002910000	LAMP		*		1
46	HA002900000	DIP SWITCH		*		1
47	HX00114000A	KNOB		*		1

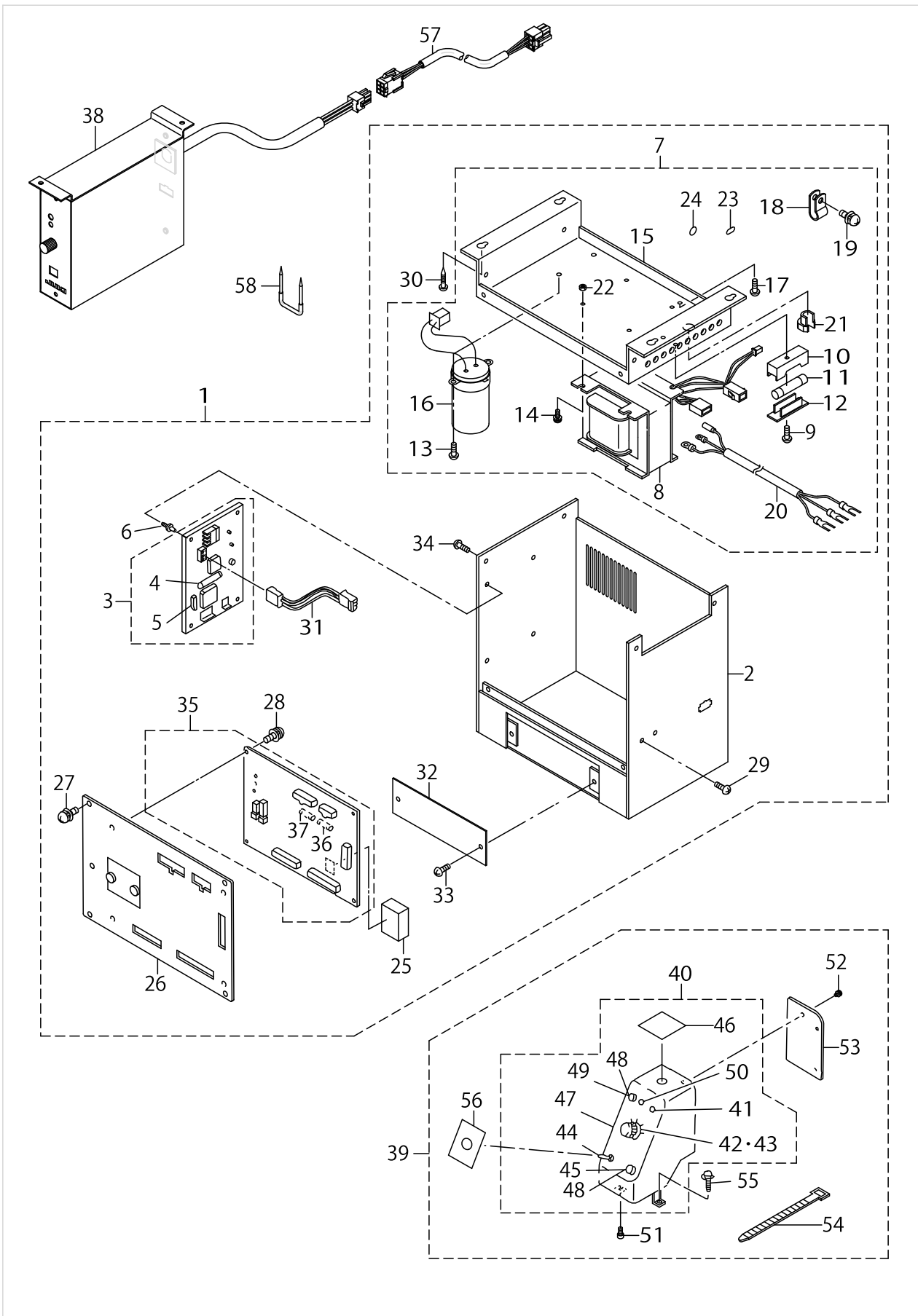
BR CONTROL BOX COMPONENTS (FOR USE IN JAPAN AND GENERAL EXPORT)



BR CONTROL BOX COMPONENTS (FOR USE IN JAPAN AND GENERAL EXPORT)

No.	Parts No.	Parts name	Remarks	Level	Cons	Qty
48	MAO14506000	SWITCH		*		1
49	HA00191001C	SWITCH KNOB BLACK		*		1
50	GBR10786000	PANEL BOX		*		1
51	HA001910000	PUSH SWITCH 3 TERMINAL		*		2
52	SL4030681SC	SCREW M3 L=6		*		3
53	GBR10782000	PANEL BOX BACK COVER		*		1
54	GBR107870A0	VOLUME ASM.		*		1
55	EA9500B0100	CABLE BAND		*		1
56	GBR30788000	SHEEL		*		1
57	SL4041091SC	SCREW M4 L=10		*		1
58	SM6040802TN	SCREW		*		1
59	CM300100101	DANGER LABEL (SMALL)	FOR USE IN JAPAN			1

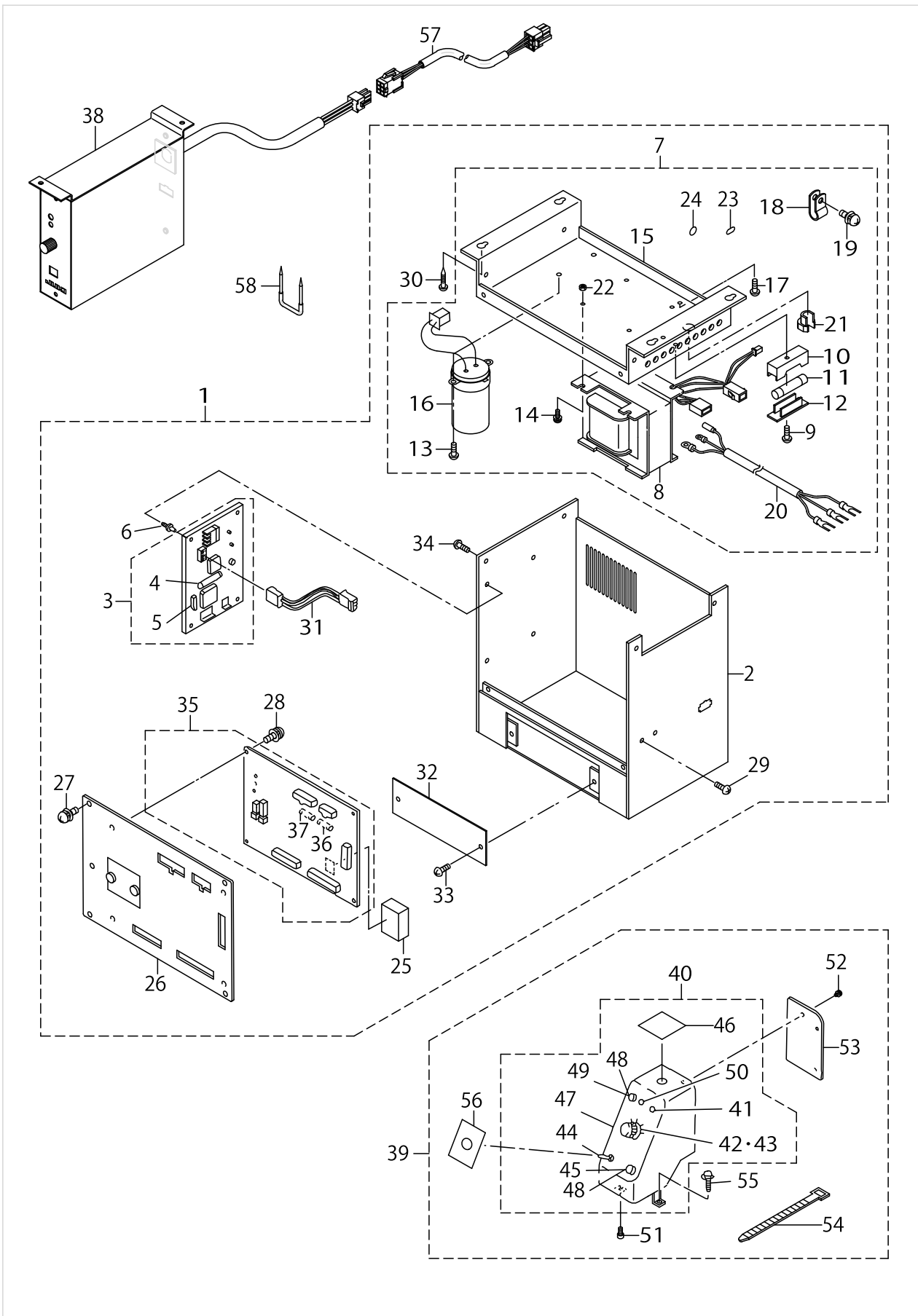
BR CONTROL BOX COMPONENTS (FOR EUROPE)



BR CONTROL BOX COMPONENTS (FOR EUROPE)

No.	Parts No.	Parts name	Remarks	Level	Cons	Qty
1	40014526	CONTROL BOX C ASM.				1
2	GBR107240AC	CONTROL BOX FRAME BODY C ASM.		*		1
3	GBR107610A0	POWER BOARD		*		1
4	E9613601000	FUSE 2A		*		1
5	HA002980000	BREAKER 5A		*		1
6	HX00228000A	SPACER		*		4
7	GBR107460AC	TRANS BASE C COMPLE.		*		1
8	GBR107480AC	TRANS C ASM.		*		1
9	SM4041001SC	SCREW M4X0.7 L=10		*		1
10	HF005111000	FUSE HOLDER		*		1
11	E9613601000	FUSE 2A		*		1
12	HF00511100B	FUSE HOLDER COVER		*		1
13	SL4030681SC	SCREW M3 L=6		*		2
14	SL4041291SC	SCREW M4 L=12		*		4
15	GBR10747000	TRANSFORMER BASE		*		1
16	GBR107430A0	CONDENSER ASM.		*		1
17	SL4040891SC	SCREW M4 L=8		*		3
18	HX00150000B	CABLE CLIP		*		1
19	SL4030881SC	SCREW M3X8		*		1
20	GBR107440A0	AC INPUT POWER CABLE CORD ASM.		*		1
21	HX000980000	CORD BUSH		*		1
22	NM6040001SF	NUT M4		*		4
23	CM200100001	PE MARK LABEL		*		1
24	10004109	GROUND MARK		*		1
25	HL008730143	IC		*		1
26	GBR207340A0	CONTROL BOX FRAME COVER ASM.		*		1
27	SL4040891SC	SCREW M4 L=8		*		4
28	SL4030681SC	SCREW M3 L=6		*		4
29	SL4040891SC	SCREW M4 L=8		*		2
30	SK3452501SE	SCREW D=4.5 L=25		*		4
31	GBR107720A0	CPU BOARD POWER CORD ASM.		*		1
32	GBR10726000	BLIND PLATE		*		1
33	SM5040601SC	SCREW M4X0.7 L=6		*		2
34	SL4040891SC	SCREW M4 L=8		*		4
35	GBR107510A0	CPU BOARD ASM.		*		1
36	HF0084020P0	FUSE 2A		*		1
37	HF0084063P0	FUSE		*		1
38	GBR108010A0	P/F CONTROLLER ASM.				1
39	40016644	OPERATION PANEL WHOLE ASM. C				1
40	GBR107850AC	PANEL C ASM.		*		1
41	HG002910000	LAMP		*		1
42	HA002900000	DIP SWITCH		*		1
43	HX00114000A	KNOB		*		1
44	MAO14506000	SWITCH		*		1
45	HA00191001C	SWITCH KNOB BLACK		*		1
46	GBR10728000	BLANK STICKER B		*		1
47	GBR10786000	PANEL BOX		*		1

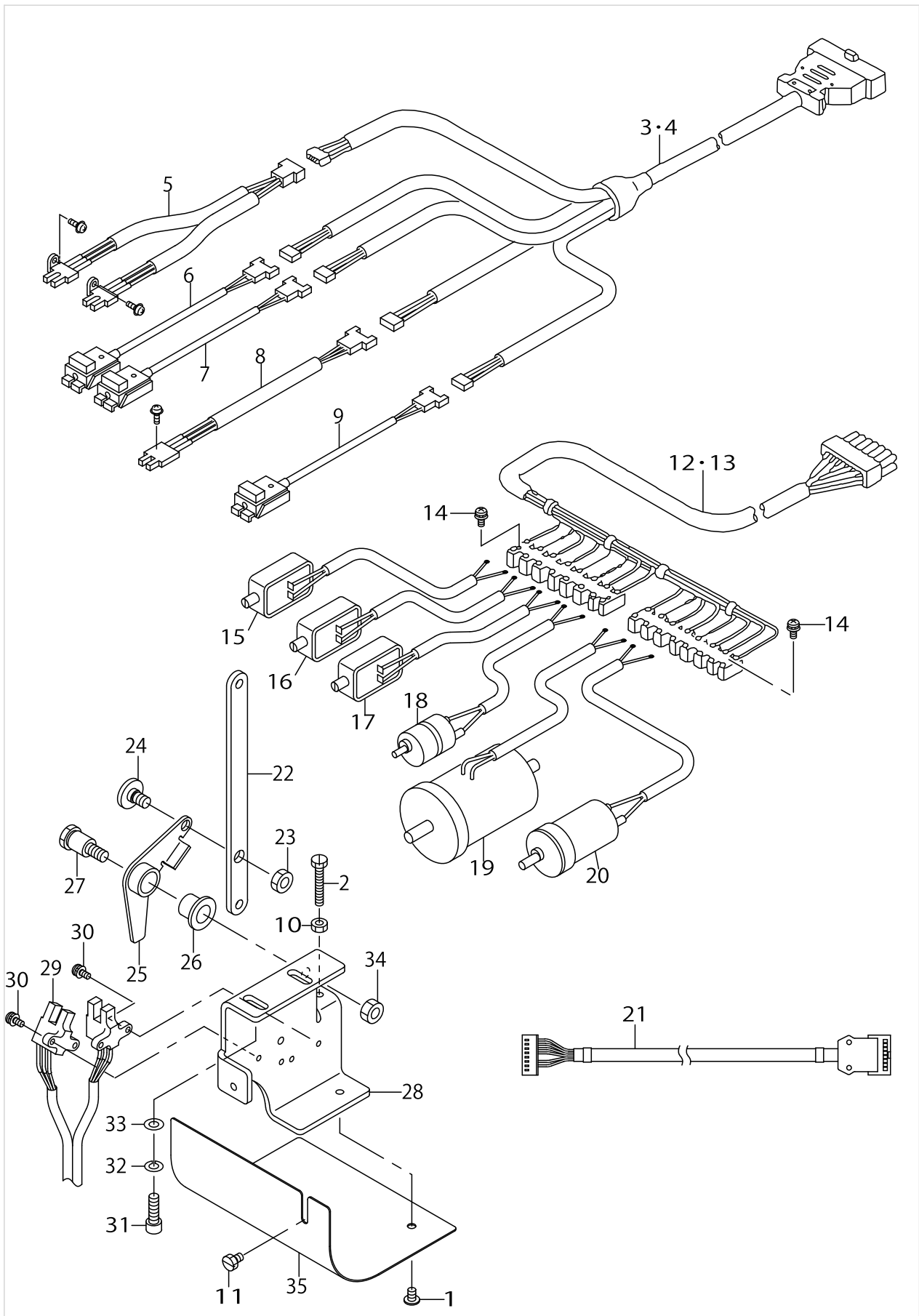
BR CONTROL BOX COMPONENTS (FOR EUROPE)



BR CONTROL BOX COMPONENTS (FOR EUROPE)

No.	Parts No.	Parts name	Remarks	Level	Cons	Qty
48	HA001910000	PUSH SWITCH 3 TERMINAL		*		2
49	HA00191001B	OPERATION BUTTON		*		1
50	HG00291000A	LED (GREEN)		*		1
51	SM6040802TN	SCREW		*		1
52	SL4030681SC	SCREW M3 L=6		*		3
53	GBR10782000	PANEL BOX BACK COVER		*		1
54	EA9500B0100	CABLE BAND		*		1
55	SL4041091SC	SCREW M4 L=10		*		1
56	GBR30788000	SHEEL		*		1
57	GBR250810A0	CABLE ASM.				1
58	MAO11532000	CORD STAPLE				4

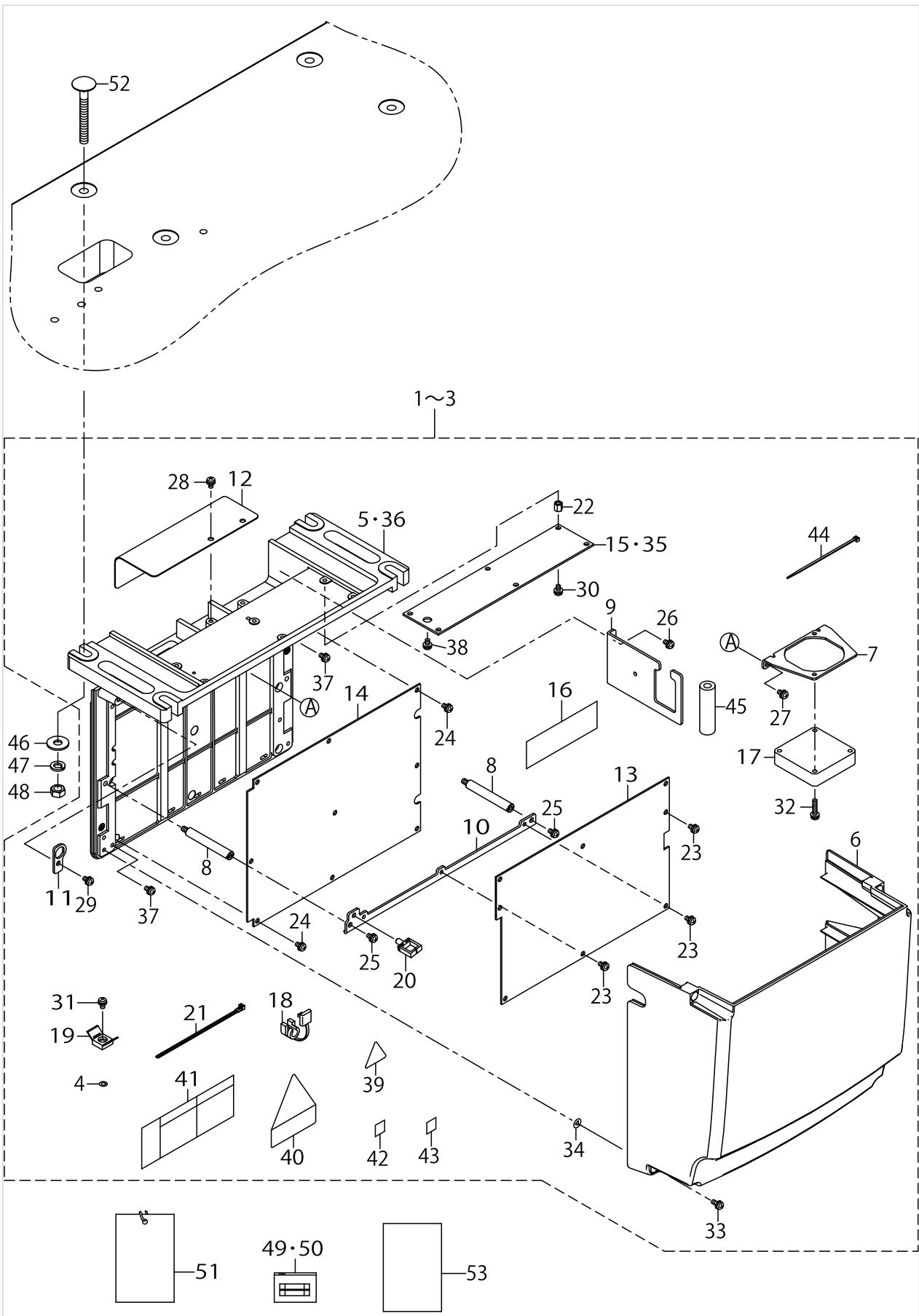
BR POWER SUPPLY COMPONENTS



BR POWER SUPPLY COMPONENTS

No.	Parts No.	Parts name	Remarks	Level	Cons	Qty
1	SM0040601SC	SCREW M4X0.7 L=6				1
2	SM9042510SC	SCREW M4X0.7 L=25				1
3	GBR108460A0	SENSOR CONNECTING CABLE ASM.	FOR USE IN JAPAN AND GENERAL EXPORT			1
4	GBR108460AC	SENSOR CONNECTING CABLE ASM.	FOR EUROPE			1
5	GBR108420A0	START SWITCH ASM.				1
6	GBR108430A0	RUB COMPLETION SWITCH ASM.				1
7	GBR108440A0	BUTTON SENSOR SWITCH ASM.				1
8	GBR108470A0	TURNING ARM HOME POSITION SENSOR ASM.				1
9	GBR108450A0	INDEX STARTING SWITCH ASM.				1
10	NM6040001SC	NUT M4				1
11	SM9040600SP	HEAXGON BOLT				1
12	GBR108580A0	STARTING MAGNET CABLE ASM.	FOR USE IN JAPAN AND GENERAL EXPORT			1
13	GBR108580AC	STARTING MAGNET CABLE ASM.	FOR EUROPE			1
14	SL4030881SC	SCREW M3X8				2
15	GBR10852000	MAGNET				1
16	GBR10853000	MAGNET				1
17	GBR10854000	MAGNET				1
18	GBR108550A0	DC MOTOR ASM.				1
19	GBR108590A0	DC MOTOR ASM.				1
20	GBR108560A0	DC MOTOR ASM.				1
21	40012037	LKA-BR RELAY CABLE ASM.				1
22	40014219	SWITCH LINK				1
23	NS6150430SP	NUT 15/64-28				1
24	SD0700332SP	HINGE SCREW D=7 H=3.5				1
25	18219907	TWO-STEP SWITCH LEVER				1
26	16583403	METAL				1
27	16582504	SCREW				1
28	16582603	SWITCH BRACKET				1
29	GBR108420A0	START SWITCH ASM.				1
30	SL4030881SC	SCREW M3X8				4
31	SM6051602TP	SCREW M5X0.8 L=16				2
32	WS0510002KN	SPRING WASHER				2
33	WP0531000SC	WASHER 5.3X10X1				2
34	NM6060001SC	NUT M6				1
35	16582702	SWITCH COVER				1

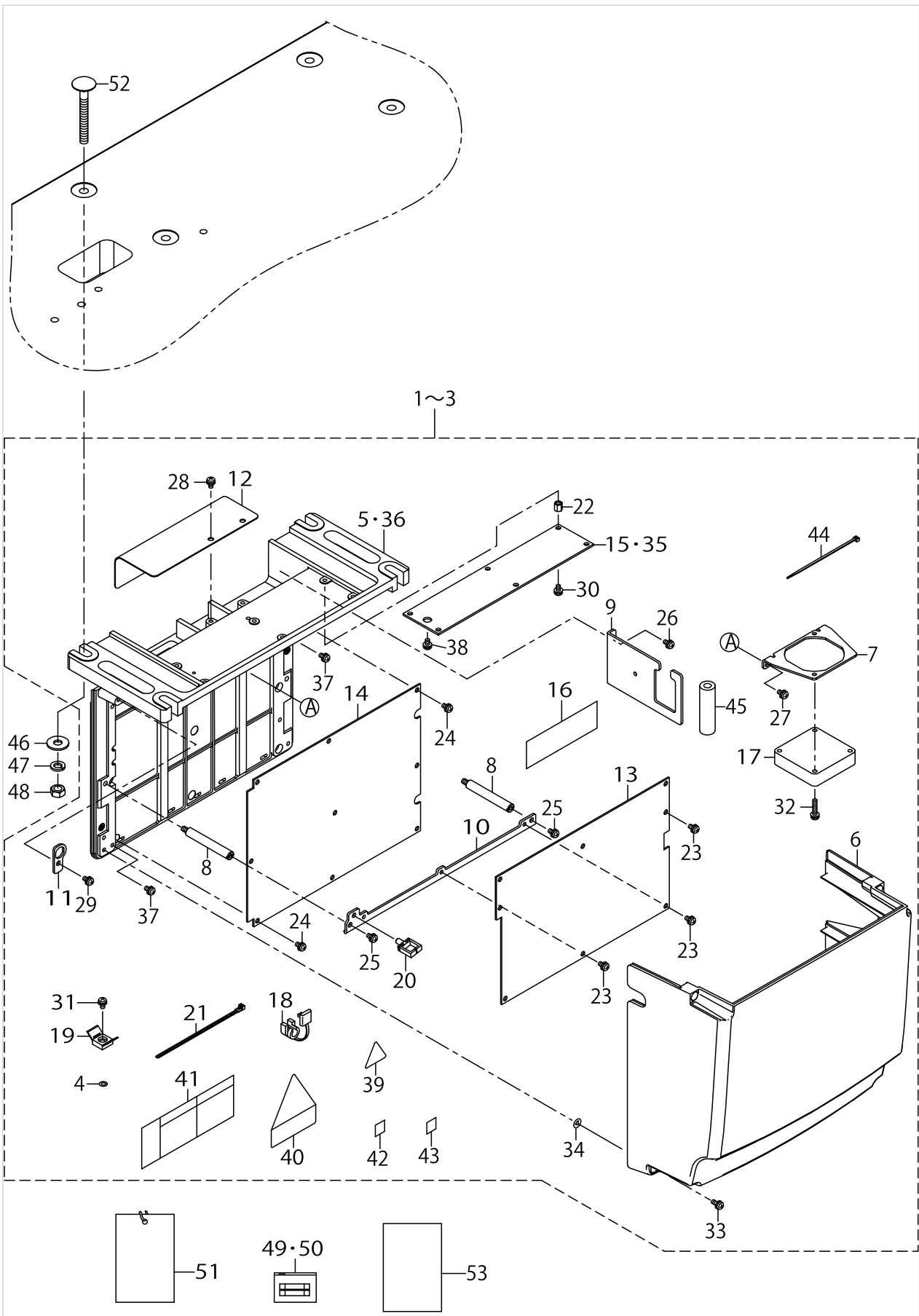
CONTROL BOX COMPONENTS



CONTROL BOX COMPONENTS

No.	Parts No.	Parts name	Remarks	Level	Cons	Qty
1	40142663	CTL BOX A ASM.	FOR 1-PHASE 220~240V			1
2	40142664	CTL BOX B ASM.	FOR 3-PHASE 200~240V			1
3	40142665	CTL BOX C ASM.	FOR 1-PHASE CE 220~240V			1
4	WP0430800SC	WASHER M4	FOR 3-PHASE 200~240V, 1-PHASE CE 220~240V	*		1
5	40143989	FRAME B	FOR 3-PHASE 200~240V, 1-PHASE CE 220~240V	*		1
6	40114136	COVER		*		1
7	40115874	FAN PLATE		*		1
8	40143990	STUD		*		2
9	40115876	PLATE B		*		1
10	40115877	MAIN PLATE		*		1
11	40115878	PLATE C		*		1
12	40115879	FAN COVER		*		1
13	40137360	MAIN PCB ASSY		*		1
14	40142267	SDC PCB ASSY		*		1
15	40105465	FLT-T PCB ASSY	FOR 3-PHASE 200~240V	*		1
16	40114398	MAIN COOL SHEET		*		2
17	40111214	FAN MOTOR ASSY		*		1
18	KX000000320	BUSH		*		1
19	KX000000260	SADDLE TYPE TIE MOUNT		*		1
20	HX00222000D	WIRE SADDLE		*		1
21	HX00292000A	CONNECTING PART		*		1
22	HX00339000M	SPACER	FOR 3-PHASE 200~240V, 1-PHASE CE 220~240V	*		6
23	SL4040881SC	SCREW M4 L=8		*		8
24	SL4040881SC	SCREW M4 L=8		*		4
25	SL4040881SC	SCREW M4 L=8		*		2
26	SL4040881SC	SCREW M4 L=8		*		2
27	SL4040881SC	SCREW M4 L=8		*		2
28	SL4040881SC	SCREW M4 L=8		*		2
29	SL4040881SC	SCREW M4 L=8		*		1
30	SL4040881SC	SCREW M4 L=8	FOR 3-PHASE 200~240V, 1-PHASE CE 220~240V	*		6
31	SL4040881SC	SCREW M4 L=8		*		1
32	SL4042091SC	SCREW M4X0.7 L=20		*		2
33	SL4041281SC	SCREW M4X0.7 L=12		*		4
34	M8002430000	STOPPER		*		4
35	40105475	FLT-CE PCB ASSY	FOR 1-PHASE CE 220~240V	*		1
36	40143988	FRAME A	FOR 1-PHASE 220~240V	*		1
37	SL4040881SC	SCREW M4 L=8		*		3
38	SL4030881SC	SCREW M3 L=8	FOR 3-PHASE 200~240V	*		1
39	CM300100001	LABEL	FOR 1-PHASE 220~240V, 1-PHASE CE 220~240V, 1-PHASE 220~240V (FOR CHINA)	*		1
40	CM300400602	VOLTAGE CAUTION LABEL L=25		*		1
41	CM300100402	VOLTAGE DANGER LABEL 3 (SMALL)	FOR 3-PHASE 200~240V	*		1
42	CM600100101	WEEE MARK LABEL S	FOR 1-PHASE CE 220~240V	*		1
43	40116677	GOST SAFTY LABEL S	FOR 1-PHASE CE 220~240V	*		1
44	EA9500B0100	CABLE BAND		*		1

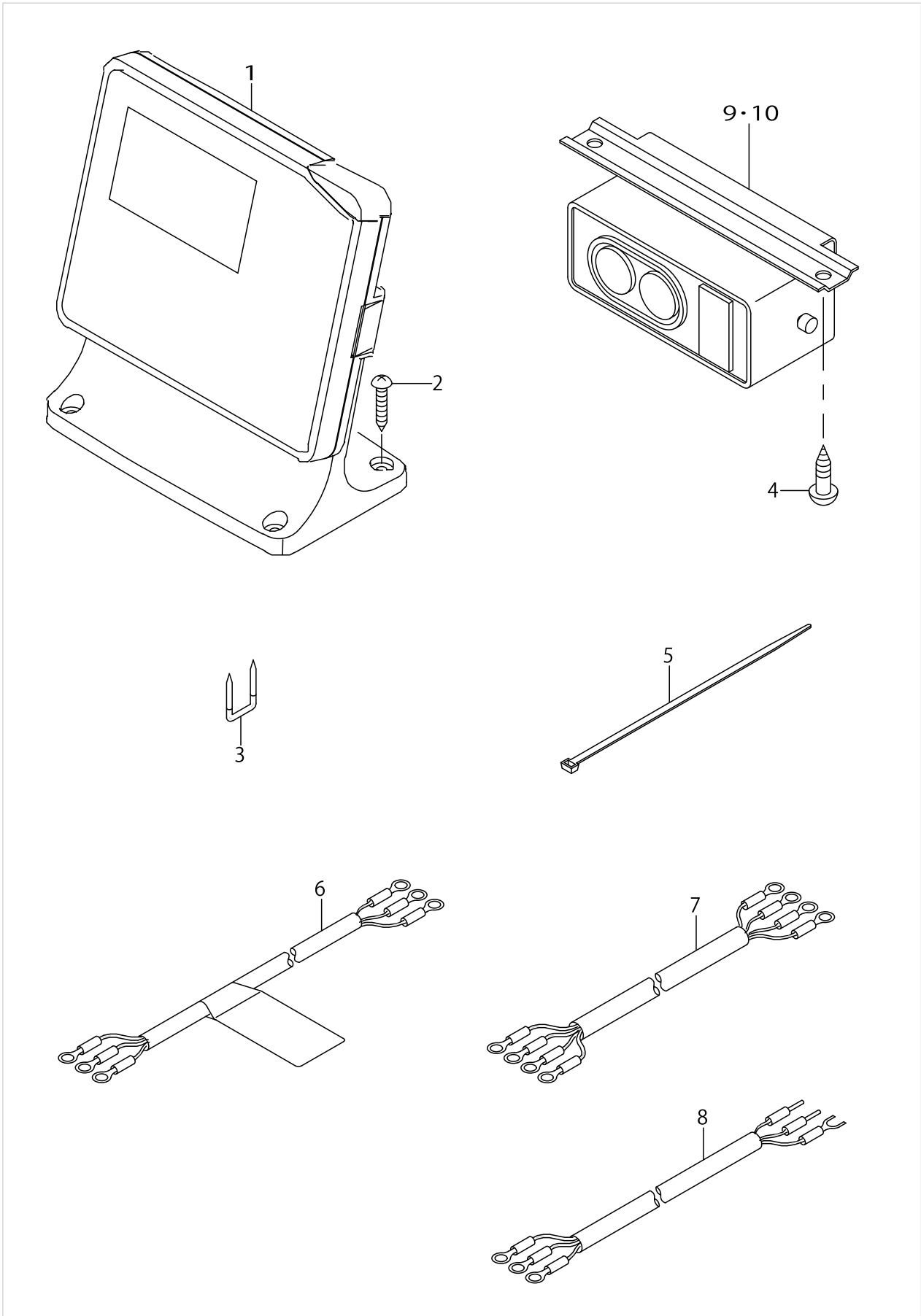
CONTROL BOX COMPONENTS



CONTROL BOX COMPONENTS

No.	Parts No.	Parts name	Remarks	Level	Cons	Qty
45	E8760452S00	TUBE		*		0.055
46	WP0852086SC	WASHER M8				4
47	WS0820002KR	SPRING WASHER M8				4
48	NM6080002SC	NUT M8				4
49	HF0013050P0	FUSE 5A				1
50	HF003000200	FUSE 2A (220/240V)				1
51	M300451100A	VOLTAGE INDICATION CARD A				1
52	MTSHJ100003	BOLT				4
53	40144511	CORE SET UP MANUAL				1

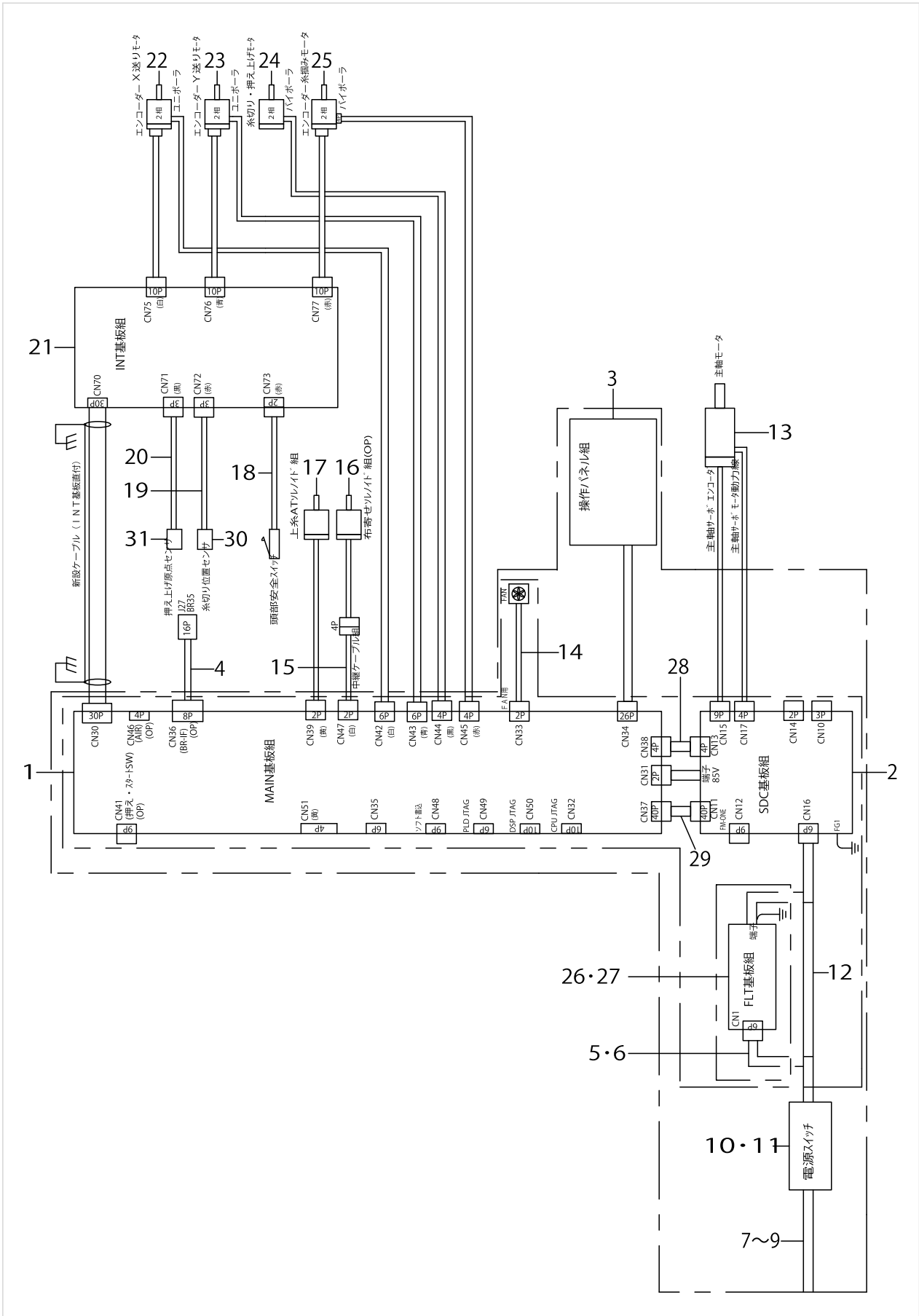
OPERATION PANEL COMPONENTS



OPERATION PANEL COMPONENTS

No.	Parts No.	Parts name	Remarks	Level	Cons	Qty
1	40142272	OPERATION BOX ASSY				1
2	SK3382001SE	SCREW D=3.8 L=20				4
3	MAO11532000	CORD STAPLE				2
4	SK3512001SE	WOOD SCREW D=5.1 L=20				2
5	EA9500B0200	CABLE BAND 150				2
6	40023371	SINGLE PHASE POWER CORD ASSY	FOR 1-PHASE 200~240V			1
7	M90175800A0	POWER CABLE ASM.	FOR 3-PHASE 200~240V			1
8	40005390	JE POWER CABLE ASM.	FOR 1-PHASE CE200~240V			1
9	40113427	POWER SWITCH	FOR 1-PHASE 200~240V			1
10	HA004250000	SWITCH	FOR 3-PHASE 200~240V			1

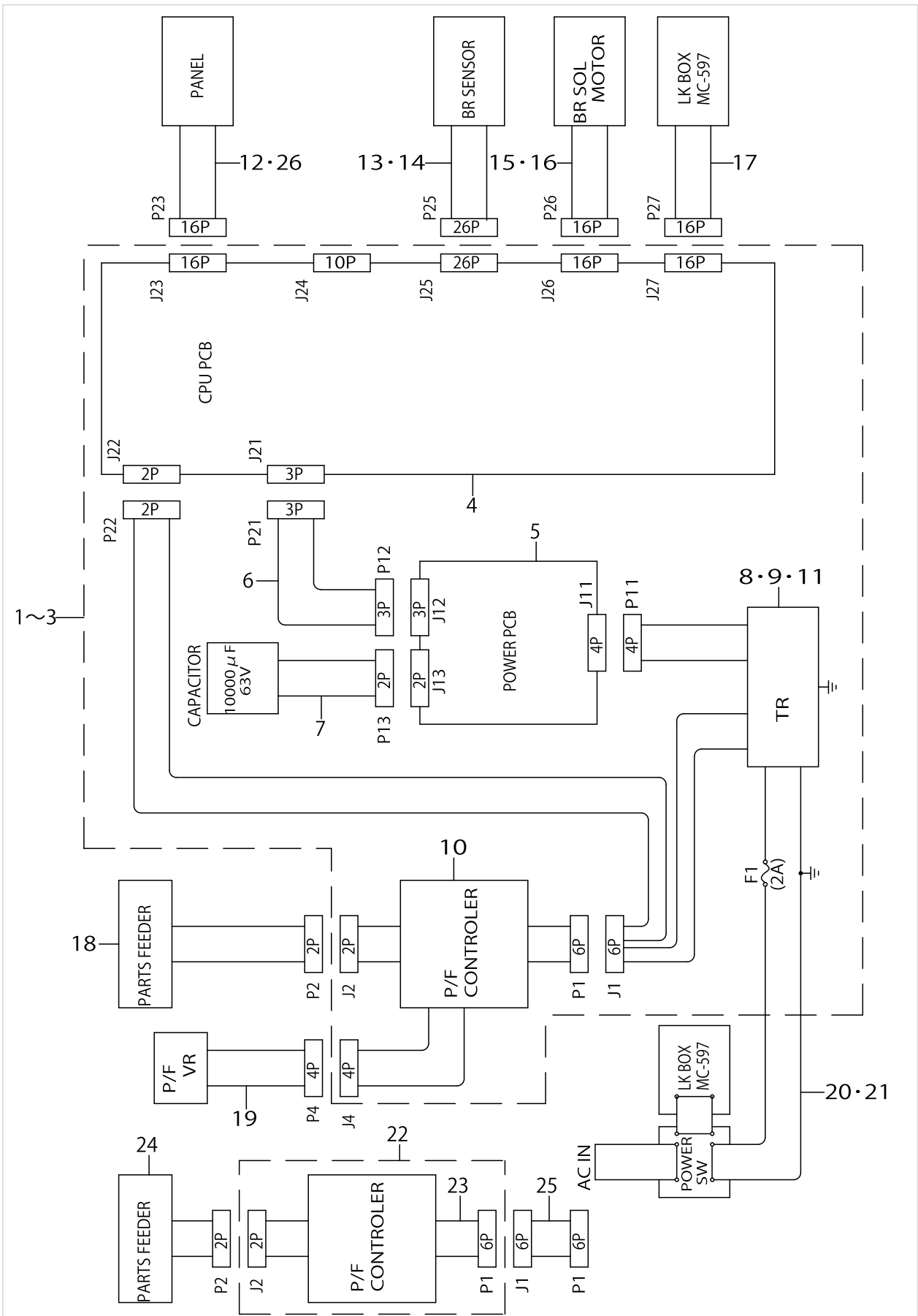
WIRING DIAGRAM



WIRING DIAGRAM

No.	Parts No.	Parts name	Remarks	Level	Cons	Qty
1	40137360	MAIN PCB ASSY				1
2	40142267	SDC PCB ASSY				1
3	40142272	OPERATION BOX ASSY				1
4	40012037	LKA-BR RELAY CABLE ASM				1
5	40141488	AC POWER CORD B ASM.	3-PHASE 200~240V (FOR USE IN JAPAN AND JA)			1
6	40141489	AC POWER CORD C ASM.	1-PHASE 200~240V (FOR CE)			1
7	M90175800A0	POWER CABLE ASM.	3-PHASE 200~240V (FOR USE IN JAPAN AND JA)			1
8	40005390	JE POWER CABLE ASM.	1-PHASE 200~240V (FOR CE)			1
9	40023371	SINGLE PHASE POWER CORD ASSY	1-PHASE 200~240V (FOR GENERAL EXPORT AND CHINA) (1
10	HA004250000	SWITCH	3-PHASE 200~240V (FOR USE IN JAPAN AND JA)			1
11	40113427	POWER SWITCH	1-PHASE 200~240V (FOR GENERAL EXPORT AND CHINA) (1
12	40141487	AC POWER CORD A ASM.	1-PHASE 200~240V (FOR GENERAL EXPORT AND CHINA) (1
13	40138137	IPM550W MOTOR				1
14	40111214	FAN MOTOR ASSY				1
15	40005728	SOLENOID RELAY CABLE ASM.				1
16	40006912	SOLENOID FOR PICK UP ASM.				1
17	40142273	AT SOLENOID				1
18	40006495	SAFETY_SW_ASM.				1
19	40142747	TT SENSOR CABLE ASM.				1
20	40005732	PF SENSOR CABLE ASM.				1
21	40137370	INT PCB ASM.				1
22	40139176	X FEED MOTOR				1
23	40139177	Y FEED MOTOR				1
24	40139178	PRESSER LIFTING MOTOR				1
25	40139179	THREAD CLAMP MOTOR				1
26	40105465	FLT-T PCB ASSY	3-PHASE 200~240V (FOR USE IN JAPAN AND JA)			1
27	40105475	FLT-CE PCB ASSY	1-PHASE 200~240V (FOR CE)			1
28	40114373	SDC-MAIN P1 CORD ASM.				1
29	40114375	SDC-MAIN S CORD ASM.				1
30	HD002230000	PHOTO SENSOR				1
31	HD00057000A	PHOTO SENSOR				1

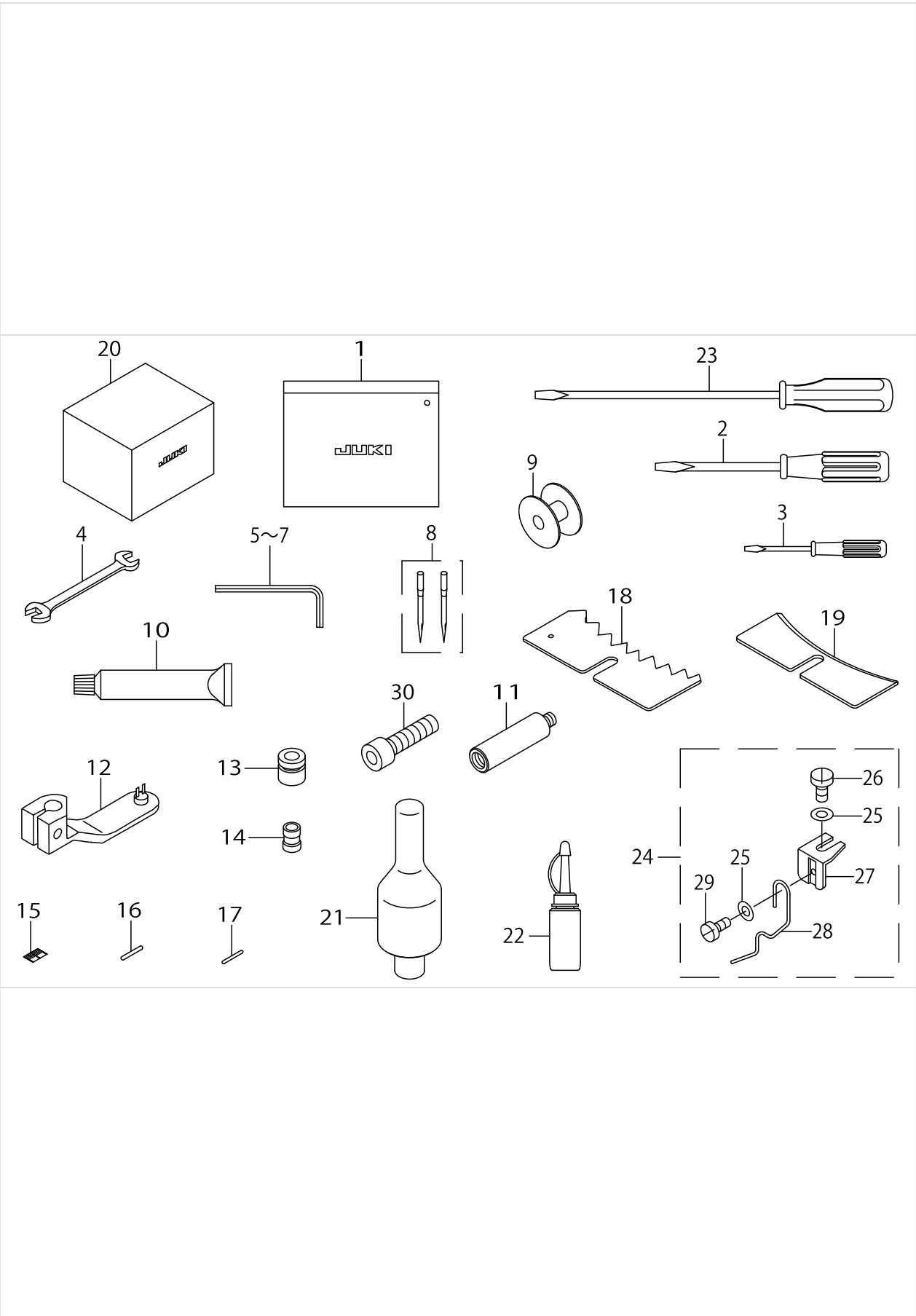
BR35 WIRING DIAGRAM



BR35 WIRING DIAGRAM

No.	Parts No.	Parts name	Remarks	Level	Cons	Qty
1	40014495	CONTROL BOX A ASM.	FOR 100~200V			1
2	40014506	CONTROL BOX B ASM.	FOR 220~240V			1
3	40014526	CONTROL BOX C ASM.	FOR CE			1
4	GBR107510A0	CPU BOARD ASM.		*		1
5	GBR107610A0	POWER BOARD		*		1
6	GBR107720A0	CPU BOARD POWER CORD ASM.		*		1
7	GBR107430A0	CONDENSER ASM.		*		1
8	GBR107480AA	TRANS A ASM.	FOR 100~200V	*		1
9	GBR107480AB	TRANS B ASM.	FOR 220~240V	*		1
10	GBR107740A0	P/F CONTROLLER ASM.	EXCEPT CE	*		1
11	GBR107480AC	TRANS C ASM.	FOR CE	*		1
12	GBR30784AA0	OPERATION PANEL WHOLE ASM. (A)	EXCEPT CE			1
13	GBR108410BC	SENSOR CONNECTING CABLE ASM.	FOR CE			1
14	GBR108410B0	BR SENSOR ASM.	EXCEPT CE			1
15	GBR108510AC	BR DRIVING SOURCE ASM.	FOR CE			1
16	GBR108510A0	BR DRIVING SOURCE ASM.	EXCEPT CE			1
17	40012037	LKA-BR RELAY CABLE ASM.				1
18	GBR107910A0	PARTS FEEDER ALL ASM.	EXCEPT CE			1
19	GBR107870A0	VOLUME ASM.	EXCEPT CE			1
20	GBR107440A0	AC INPUT POWER CABLE CORD ASM.	FOR 220~240V,CE			1
21	GBR107450A0	AC INPUT POWER CABLE CORD ASM.	FOR 100~200V			1
22	GBR108010A0	P/F CONTROLLER ASM.	FOR CE			1
23	GBR108210A0	P/F POWER CORD ASM.	FOR CE	*		1
24	GBR107910AC	PARTS FEEDR ALL C ASM.	FOR CE			1
25	GBR250810A0	P/F CONTROLLER RELAY CABLE ASM.	FOR CE			1
26	GBR250610AC	OPERATION PANEL WHOLE ASM. C	FOR CE			1

ACCESSORIE PARTS COMPONENTS



ACCESSORIE PARTS COMPONENTS

No.	Parts No.	Parts name	Remarks	Level	Cons	Qty
1	22932800	ACCESSORIE BAG				1
2	22933105	SCREW DRIVER MIDDLE				1
3	22933204	SCREW DRIVER SMALL				1
4	B9113012000	WRENCH (9X10)				1
5	B9140372000	HEXAGONAL WRENCH SMALL				1
6	B9141372000	HEXAGONAL WRENCH LARGE				1
7	GCT02906000	HEXAGONAL SPANNER				1
8	MDP170B1402	NEEDLE DPX17#14-2			☆	1
9	13812102	BOBBIN				1
10	40013640	JUKI_GREASE_B_TUBE			☆	1
11	40036110	GREASE_JOINT_B				1
12	16558009	BUTTON CARRIER B				1
13	16558108	RING SMALL				1
14	18200501	WORK ATTACHMENT (SMALL)			☆	3
15	18204701	SCALE				4
16	GBR01155000	SET PIN A				6
17	GBR01156000	SET PIN B				4
18	GBR01423000	SELECTOR PLATE MEDIUM				1
19	GBR01437000	AUXILIARY PLATE				1
20	40048664	HEAD_COVER				1
21	14101208	HEAD SUPPORT BAR				1
22	B91212200A0	OILER (CONTAINING NO.2 OIL)				1
23	22933006	SCREW DRIVER LARGE				1
24	14146757	BUTTON RISING BAR ASM.				1
25	WP0370316SD	WASHER 3.7X8X0.3		*		2
26	SS9090813TP	SCREW 9/64-40 L=8		*		1
27	14146807	INSTALLING BASE		*		1
28	14146708	BUTTON RISING BAR		*		1
29	SS6080340SP	SCREW 1/8-44 L=2.9		*		1
30	SM6083002TN	SCREW M8 L=30				1

HOW TO MAKE USE OF THIS PARTS LIST

1.Explanation of codes

1)"*"mark.....means this part is changed from the previous parts book.

As to the details of the change, refer to the "List for information of change".

2)"#01".....refer to "Note" explanation at bottom of page.

2.Codes on the "Qty" column

- Each numeral indicates the number of parts required.
- "0.1" and "2.5" indicate the length (in meters) of the respective parts.

3.Parentheses mean that the corresponding part is a subpart that constructs an assembly part.

4.Dotted lines on the Figures indicate assembly parts.

5.As to the parts with marks of "☆"(consumable parts) and "◎"(optional parts)on the respective parts, it is recommended to prepare spares.

1 ."注記"欄の記号説明

1) "*"印.....前回のパーツブックに比較して今回変更された部品を意味します。

変更内容は、"変更情報リスト"を参照してください。

2) "#01".....ページ下の"注記"の説明を参照してください。

2.数量欄の数字は、個数を表し、0.1、2.5等の数値は、長さ（単位メートル）を表します。

3.数量欄の（ ）は、組部品を構成している子部品であることを意味します。

4.イラストページの-----枠は、組構成であることを意味します。

5.リストページの"☆"（消耗部品）、"◎"（オプション部品）の印がついた部品は、予備を準備しておくことをお奨めします。

NUMERICAL INDEX OF PARTS

PART NO	PAGE	REF NO.	PART NO	PAGE	REF NO.	PART NO	PAGE	REF NO.
10004109	42	24	16552309	18	21	16566507	24	1
11155108	36	62	16552507	16	1	16566606	24	10
11155207	34	32	16552606	16	10	16567000	24	14
11158300	34	7	16553208	16	21	16567166	24	31
11158409	34	8	16553208	24	5	16567802	24	40
11158516	34	11	16553307	16	22	16567901	24	43
11158607	34	9	16554008	16	20	16568206	26	51
11159001	34	14	16554008	24	38	16568404	28	30
11159506	34	30	16554503	16	30	16568602	30	61
13160304	36	56	16556300	18	44	16568651	30	60
13540901	12	29	16556409	18	43	16568909	28	26
13811906	6	12	16556508	20	52	16569204	30	68
13812003	6	11	16556607	18	34	16569501	28	18
13812102	58	9	16556706	16	14	16569600	28	17
13817754	34	13	16556805	16	25	16570103	28	21
13864509	4	14	16557209	16	4	16570202	28	22
14101208	58	21	16557209	26	68	16570301	28	23
14103352	8	18	16557308	18	15	16570509	30	48
14118152	34	3	16557407	18	4	16570608	30	51
14118251	34	4	16557506	16	29	16570707	28	33
14141402	12	7	16557605	16	34	16570905	28	37
14145106	6	1	16557902	18	9	16571408	30	49
14146104	12	6	16558009	58	12	16571606	30	72
14146203	12	4	16558108	58	13	16571804	28	45
14146302	12	9	16558801	18	17	16571903	28	15
14146708	58	28	16559304	16	31	16572000	26	78
14146757	58	24	16559601	16	35	16572406	24	24
14146807	58	27	16560104	22	14	16572505	24	41
14146906	6	10	16560203	22	32	16572703	28	65
14147607	4	15	16560302	22	21	16572703	30	65
14147755	4	11	16561607	22	15	16573008	28	14
14147805	4	21	16561904	22	25	16573305	24	44
14148407	6	3	16562001	22	18	16573701	28	2
14190052	12	1·2	16562001	28	43	16573909	28	46
14190151	12	1·2	16562100	22	23	16574006	24	18
14190300	12	28	16562308	22	20	16574105	24	3
14190458	12	11·12	16562803	22	4	16574204	26	52
14190557	12	16·17	16562902	22	6	16577009	32	1
14191951	34	2	16565301	26	79	16577207	32	33
16550105	16	38	16565400	26	54	16577306	32	20
16550204	18	42	16565509	26	55	16577405	32	22
16550402	18	40	16565707	24	7	16577504	32	11
16550808	18	3	16565905	24	22	16579203	32	19
16551806	18	30	16566002	24	4	16582504	46	27
16551905	18	16	16566408	24	25	16582603	46	28

NUMERICAL INDEX OF PARTS

PART NO	PAGE	REF NO.	PART NO	PAGE	REF NO.	PART NO	PAGE	REF NO.
16582702	46	35	18217505	24	39	40014216	34	36
16583403	46	26	18217752	16	33	40014217	32	18
16586505	36	49	18217950	22	3	40014219	46	22
17007402	34	10	18218008	30	71	40014220	36	48
18200303	28	29	18218206	16	3	40014221	34	46
18200352	28	27	18218800	18	20	40014495	38	1·2
18200501	18	19	18218909	24	6	40014495	56	1~3
18200501	58	14	18219204	24	37	40014506	38	1·2
18200709	14	52	18219501	28	20	40014506	56	1~3
18200907	30	64	18219600	28	40	40014526	42	1
18200956	30	63	18219709	16	2	40014526	56	1~3
18201103	30	53	18219808	16	12	40016644	42	39
18201608	24	27	18219907	46	25	40018334	4	7
18201905	28	6	18222604	34	43	40018335	4	10
18201962	28	1	18227553	22	9	40023371	52	6
18202002	28	7	18227603	14	51	40023371	54	7~9
18202101	26	76	18227702	16	26	40036110	58	11
18202150	26	74	18227850	16	8	40048664	58	20
18202200	26	77	18227959	18	5	40105465	48	15·35
18202408	32	23	22928808	6	8	40105465	54	26·27
18203307	28	4	22932800	58	1	40105475	48	15·35
18204107	24	34	22933006	58	23	40105475	54	26·27
18204206	28	16	22933105	58	2	40110841	8	7
18204503	28	25	22933204	58	3	40110842	8	8
18204602	32	9	26037903	36	57	40110846	8	19
18204701	58	15	26226506	20	64	40111214	48	17
18204909	26	75	40005390	52	8	40111214	54	14
18205401	18	26	40005390	54	7~9	40113427	52	9·10
18205708	18	12	40005728	54	15	40113427	54	10·11
18205906	18	6	40005732	54	20	40114136	48	6
18206003	18	1	40006475	36	69	40114373	54	28
18206201	20	53	40006495	54	18	40114375	54	29
18206409	18	7	40006525	8	44	40114398	48	16
18206607	18	11	40006912	54	16	40115874	48	7
18206706	16	24	40006935	6	2	40115876	48	9
18206904	16	36	40009859	4	20	40115877	48	10
18207209	22	11	40010424	8	3	40115878	48	11
18207506	22	13	40010425	8	4	40115879	48	12
18207902	16	17	40010426	8	5	40116677	48	43
18209007	14	58	40011949	8	17	40137360	48	13
18209502	24	35	40012037	46	21	40137360	54	1
18212902	30	50	40012037	54	4	40137370	54	21
18213405	28	11	40012037	56	17	40138137	54	13
18213454	28	10	40013452	2	1	40139176	54	22
18213504	28	12	40013640	58	10	40139177	54	23

NUMERICAL INDEX OF PARTS

PART NO	PAGE	REF NO.	PART NO	PAGE	REF NO.	PART NO	PAGE	REF NO.
40139178	54	24	B242328000D	8	23~27	GBR01120000	22	1
40139179	54	25	B242328000E	8	23~27	GBR01155000	58	16
40141487	54	12	B2424280000	8	32	GBR01156000	58	17
40141488	54	5·6	B2548372RA0	12	44	GBR01168000	22	17
40141489	54	5·6	B2549372R00	12	35	GBR01175000	18	46
40142267	48	14	B2553372000	12	32	GBR014220A0	32	26
40142267	54	2	B2560372000	12	33	GBR01423000	58	18
40142272	52	1	B2561372000	12	26	GBR01426000	32	2
40142272	54	3	B2619372000	8	47	GBR01428000	32	14
40142273	54	17	B3052816000	34	45	GBR01437000	58	19
40142663	48	1~3	B55412050A0	2	2	GBR01441000	32	4
40142664	48	1~3	B5542205000	36	63	GBR01601000A	12	42
40142665	48	1~3	B8101210AAB	34	5	GBR01606000	12	39
40142691	8	2	B8105210AAA	34	6	GBR01607000	12	40
40142697	8	12	B8150210000	34	26	GBR107240A0	38	3
40142701	8	11	B8153771000	34	15	GBR107240AC	42	2
40142723	8	20·21	B8202205000	34	41	GBR10726000	42	32
40142724	8	20·21	B9113012000	58	4	GBR10728000	42	46
40142725	8	29	B9121012000	36	54	GBR107430A0	38	19
40142747	54	19	B91212200A0	58	22	GBR107430A0	42	16
40142785	8	1	B9140372000	58	5~7	GBR107430A0	56	7
40142786	8	10	B9141372000	58	5~7	GBR107440A0	38	23·24
40142787	8	13	CM200100001	42	23	GBR107440A0	42	20
40142790	8	14	CM300100001	48	39	GBR107440A0	56	20·21
40142807	8	15	CM300100101	40	59	GBR107450A0	38	23·24
40143988	48	5·36	CM300100402	48	41	GBR107450A0	56	20·21
40143989	48	5·36	CM3002002B1	36	47	GBR107460AA	38	8·9
40143990	48	8	CM300400602	48	40	GBR107460AB	38	8·9
40144511	50	53	CM600100101	48	42	GBR107460AC	42	7
40148338	34	1	D2431555B00	36	61	GBR10747000	38	18
B1114581000	2	3	D2527232D00	6	9	GBR10747000	42	15
B1426771000	22	10	D2548232D00	12	30	GBR107480AA	38	10·11
B185351200E	10	48	D2572M1YC0F	12	45	GBR107480AA	56	8·9·11
B210220500A	4	8	D3130M1YC00	12	21	GBR107480AB	38	10·11
B2107816000	30	56	D6042555B00	32	37	GBR107480AB	56	8·9·11
B2107816000A	24	8	D8113555B00	34	16	GBR107480AC	42	8
B24142800A0	8	37	D8204555D00	34	33	GBR107480AC	56	8·9·11
B24152800A0	8	36	E5006171000	20	57	GBR107510A0	38	28
B2416280000	8	35	E8760452S00	50	45	GBR107510A0	42	35
B2417280000	8	38	E9613601000	38	15	GBR107510A0	56	4
B2418280000	8	34	E9613601000	42	11	GBR107610A0	38	4
B24212800A0	8	33	EA9500B0100	40	55	GBR107610A0	42	3
B242328000A	8	23~27	EA9500B0100	44	54	GBR107610A0	56	5
B242328000B	8	23~27	EA9500B0100	48	44	GBR107720A0	38	35
B242328000C	8	23~27	EA9500B0200	52	5	GBR107720A0	42	31

NUMERICAL INDEX OF PARTS

PART NO	PAGE	REF NO.	PART NO	PAGE	REF NO.	PART NO	PAGE	REF NO.
GBR107720A0	56	6	GBR108590A0	22	27	HF005111000	42	10
GBR107740A0	38	36	GBR108590A0	46	19	HF00511100B	38	14
GBR107740A0	56	10	GBR11109000	20	54	HF00511100B	42	12
GBR10775000	38	37	GBR11110000	20	51	HF0084020P0	38	29
GBR10782000	40	53	GBR11111000	20	55	HF0084020P0	42	36
GBR10782000	44	53	GBR11112000	18	24	HF0084063P0	38	30
GBR107850A0	38	42	GBR11113000	20	66	HF0084063P0	42	37
GBR107850AC	42	40	GBR11114000	20	56	HG002910000	38	45
GBR10786000	40	50	GBR11115000	20	62	HG002910000	42	41
GBR10786000	42	47	GBR207340A0	38	40	HG00291000A	38	44
GBR107870A0	40	54	GBR207340A0	42	26	HG00291000A	44	50
GBR107870A0	56	19	GBR25003000	14	59	HK004440020	32	36
GBR10791000	32	35	GBR25004000	14	57	HK004490020	32	32
GBR107910A0	32	31	GBR25005000	16	41	HL008730140	38	39
GBR107910A0	56	18	GBR25006000	36	58	HL008730143	42	25
GBR107910AC	56	24	GBR25010000	36	71	HX000980000	38	25
GBR108010A0	42	38	GBR250610AC	56	12·26	HX000980000	42	21
GBR108010A0	56	22	GBR250810A0	44	57	HX00114000A	38	46·47
GBR108210A0	56	23	GBR250810A0	56	25	HX00114000A	42	42·43
GBR108410B0	56	13·14	GBR30784AA0	38	41	HX00123000C	4	3
GBR108410BC	56	13·14	GBR30784AA0	56	12·26	HX00150000B	38	21
GBR108420A0	46	29	GBR30788000	40	56	HX00150000B	42	18
GBR108430A0	24	20	GBR30788000	44	56	HX00222000D	48	20
GBR108430A0	46	6	GBR308650A0	36	65	HX00228000A	38	7
GBR108440A0	26	72	GCT02906000	58	5~7	HX00228000A	42	6
GBR108440A0	46	7	GPF060600A0	34	18	HX00292000A	48	21
GBR108450A0	30	66	GPF06080000	34	17	HX003390000	34	44
GBR108450A0	46	9	HA001910000	40	51	HX00339000B	36	52
GBR108460A0	46	3·4	HA001910000	44	48	HX00339000F	36	50
GBR108460AC	46	3·4	HA00191001B	38	43	HX00339000M	48	22
GBR108470A0	46	8	HA00191001B	44	49	KX000000260	48	19
GBR108510A0	56	15·16	HA00191001C	40	49	KX000000320	48	18
GBR108510AC	56	15·16	HA00191001C	42	45	M300451100A	50	51
GBR10852000	16	6	HA002900000	38	46·47	M8002430000	48	34
GBR10852000	46	15	HA002900000	42	42·43	M90175800A0	52	7
GBR10853000	26	50	HA002980000	38	6	M90175800A0	54	7~9
GBR10853000	46	16	HA002980000	42	5	M964051000A	36	67
GBR10854000	26	56	HA004250000	52	9·10	MAO11532000	36	55
GBR10854000	46	17	HA004250000	54	10·11	MAO11532000	44	58
GBR108550A0	20	50	HD000360000	22	28	MAO11532000	52	3
GBR108550A0	46	18	HD00057000A	54	31	MAO14506000	40	48
GBR108560A0	28	47	HD002230000	54	30	MAO14506000	42	44
GBR108560A0	46	20	HF0013050P0	50	49·50	MAZ088270A0	12	38
GBR108580A0	46	12·13	HF003000200	50	49·50	MAZ08828000	12	20
GBR108580AC	46	12·13	HF005111000	38	13	MAZ08829000	12	14

NUMERICAL INDEX OF PARTS

PART NO	PAGE	REF NO.	PART NO	PAGE	REF NO.	PART NO	PAGE	REF NO.
MAZ15502000	6	4·5	RE0700000K0	12	8	SL9082091SE	34	12
MAZ15514000	12	3	RE1200000K0	24	19	SM0040601SA	36	53
MAZ15515000	12	27	SB110000400	28	42	SM0040601SC	24	2
MAZ15601000	8	30·31	SB115000400	16	15	SM0040601SC	28	3
MAZ15602000	6	4·5	SD0500091TP	8	40	SM0040601SC	32	34
MAZ15801000	8	30·31	SD0500404SP	12	36	SM0040601SC	46	1
MAZ16522000	12	10	SD0550303TP	12	34	SM0861201SA	24	73
MAZ166070A0	12	15	SD0600181TP	4	16	SM0861201SA	26	73
MAZ166070B0	12	11·12	SD0600341TP	16	7	SM0861201SA	30	67
MAZ166080A0	12	18	SD0600401TP	16	11	SM1031401SC	20	63
MAZ166080B0	12	16·17	SD0600651TP	20	58	SM1040601SC	30	70
MDP170B1400	8	45	SD0601021SP	16	13	SM1040650TP	8	46
MDP170B1402	58	8	SD0640261SP	4	17	SM1041201SC	30	69
MTSHJ100003	50	52	SD0640391TP	12	25	SM4030601SN	32	25
NM6040001SC	18	47	SD0700332SP	46	24	SM4040801SN	32	12
NM6040001SC	22	5	SD0791276TP	10	49	SM4041001SC	38	12
NM6040001SC	24	66	SK3311601SE	34	64	SM4041001SC	42	9
NM6040001SC	26	66	SK3311601SE	36	64	SM4051001SN	32	15
NM6040001SC	28	24	SK3382001SE	36	68	SM4860501SC	28	8
NM6040001SC	46	10	SK3382001SE	52	2	SM5040601SC	38	38
NM6040001SF	38	26	SK3452501SE	38	34	SM5040601SC	42	33
NM6040001SF	42	22	SK3452501SE	42	30	SM5040855SN	6	13
NM6040003SC	4	12	SK3483201SE	34	35	SM5040855SN	36	70
NM6050001SC	16	23	SK3512001SE	52	4	SM6030500SN	8	43
NM6050001SC	18	14	SL4030681SC	38	52	SM6030602TP	14	53
NM6050001SC	22	7	SL4030681SC	40	52	SM6030802TP	28	57
NM6060001SC	32	5	SL4030681SC	42	52	SM6030802TP	30	57
NM6060001SC	34	40	SL4030681SC	44	52	SM6031202TP	18	8
NM6060001SC	46	34	SL4030881SC	28	5	SM6031402TP	18	38
NM6080001SC	32	27	SL4030881SC	38	22	SM6040650TP	4	1
NM6080002SC	50	48	SL4030881SC	42	19	SM6040802TN	40	58
NM6080721SE	34	25	SL4030881SC	46	30	SM6040802TN	44	51
NM6120003SE	34	27	SL4030881SC	48	38	SM6040802TP	16	39
NS6080210SP	12	41	SL4031081SC	22	29	SM6040802TP	26	63
NS6090310SP	12	43	SL4040881SC	48	37	SM6040802TR	24	13
NS6110310SP	4	23	SL4040891SC	38	33	SM6040802TR	28	34
NS6110360SP	20	65	SL4040891SC	42	34	SM6041002TP	18	31
NS6120310SP	4	19	SL4041091SC	4	4	SM6041002TP	24	47
NS6150310SP	12	31	SL4041091SC	36	66	SM6041002TP	30	55
NS6150430SP	46	23	SL4041091SC	40	57	SM6041202TP	14	56
RC2500001KP	22	2	SL4041091SC	44	55	SM6041202TP	18	27
RE0200000K0	16	5	SL4041281SC	48	33	SM6041202TP	24	62
RE0200000K0	26	69	SL4041291SC	38	17	SM6041202TP	26	62
RE0250000K0	24	42	SL4041291SC	42	14	SM6041202TP	28	38
RE0300000K0	8	16	SL4042091SC	48	32	SM6041402TP	18	35

NUMERICAL INDEX OF PARTS

PART NO	PAGE	REF NO.	PART NO	PAGE	REF NO.	PART NO	PAGE	REF NO.
SM6042002TP	18	23	SS6080340SP	58	29	WP0651646SC	34	39
SM6042502TP	18	41	SS6110430TP	8	42	WP0671016SE	34	20
SM6050802TP	16	37	SS6111052TP	18	25	WP0820516SP	8	6
SM6051202TP	14	60	SS7060310SP	4	22	WP0841601SC	32	28
SM6051202TP	28	54	SS7090410SP	8	22	WP0852086SC	50	46
SM6051202TP	30	54	SS7090410SP	12	19	WP0871602SE	34	28
SM6051402TP	18	10	SS7091480SP	12	37	WS0310002KN	18	39
SM6051602TP	14	50	SS7110740TP	8	41	WS0310002KN	30	58
SM6051602TP	28	41	SS7111120TP	4	9	WS0410002KN	14	49
SM6051602TP	46	31	SS9090813TP	58	26	WS0410002KN	16	40
SM6052002TP	28	31	SS9091010SP	12	5	WS0410002KN	18	60
SM6052502TP	16	18	SS9110460CP	12	22	WS0410002KN	20	60
SM6061202TP	12	46	SS9110543CP	6	6	WS0410002KN	24	67
SM6061602TP	26	70	SS9151120CP	14	54	WS0410002KN	26	67
SM6061802TP	10	50	SS9621413SP	12	23	WS0410002KN	28	35
SM6062002TP	22	33	TA1250705R0	4	2	WS0410002KN	36	51
SM6062502TP	36	59	WP0280500SC	28	9	WS0410002KS	4	13
SM6063002TP	16	27	WP0320500SC	30	59	WS0451040KP	4	6
SM6066552TP	34	37	WP0320500SC	32	24	WS0510002KN	16	19
SM6083002TN	58	30	WP0370316SD	58	25	WS0510002KN	46	32
SM8030402TP	24	30	WP0430800SC	16	16	WS0510002KP	14	62
SM8040402TP	22	30	WP0430800SC	18	49	WS0510002KS	18	13
SM8040402TP	30	52	WP0430800SC	20	49	WS0610002KN	16	28
SM8040602TP	16	32	WP0430800SC	24	65	WS0610002KN	22	34
SM8040602TP	18	18	WP0430800SC	26	65	WS0610002KN	26	71
SM8040602TP	22	22	WP0430800SC	28	36	WS0610002KN	32	7
SM8042502TP	24	11	WP0430800SC	32	13	WS0621210KR	34	21
SM8050502TP	28	13	WP0430800SC	48	4	WS0820002KR	50	47
SM8050602TP	16	9	WP0430801SC	20	59	WS0861410KR	34	29
SM8050602TP	18	2	WP0450801SD	4	5	WZ0640200KP	4	18
SM8050602TP	22	26	WP0450801SD	32	29			
SM8050602TP	28	44	WP0450846SP	8	28			
SM8050612TP	16	42	WP0501016SD	6	7			
SM8050612TP	22	12	WP0501016SD	12	24			
SM80506A2TP	8	9	WP0531000SC	32	30			
SM8050812TP	22	16	WP0531000SC	46	33			
SM8050842TP	22	31	WP0531000SD	14	48			
SM8086012TP	32	10	WP0611626SP	36	60			
SM9040600SP	46	11	WP0612056SD	34	38			
SM9042510SC	46	2	WP0612516SD	12	55			
SM9061203SE	34	19	WP0612516SD	14	55			
SM9082023SE	34	22	WP0621036SP	36	72			
SM9086523SE	34	31	WP0641600SC	22	19			
SS1060210TP	8	39	WP0641600SC	26	53			
SS4110815SP	32	3	WP0641600SC	32	6			