

MODEL : DU-1281-7

List No : 1654-00

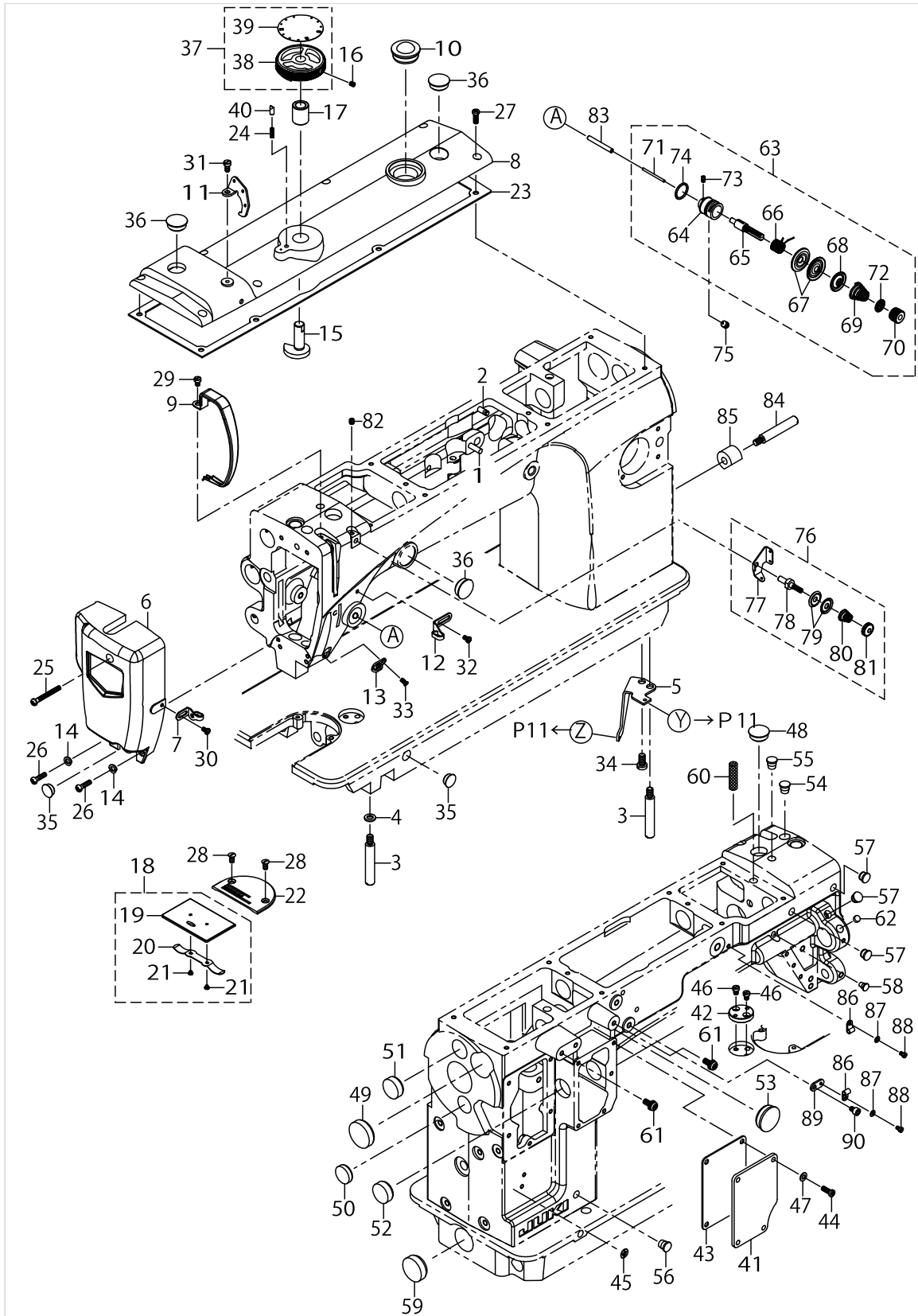
PARTS LIST

Published:09/10/2017

CONTENTS

FRAME & MISCELLANEOUS COVER COMPONENTS	1
MAIN SHAFT & UPRIGHT SHAFT COMPONENTS.....	5
NEEDLE BAR & THREAD TAKE-UP LEVER COMPONENTS	7
UPPER FEED MECHANISM COMPONENTS	9
PRESSURE BAR & KNEE LIFTER COMPONENTS	13
LOWER FEED MECHANISM COMPONENTS	15
FEED ADJUSTMENT MECHANISM COMPONENTS.....	17
HOOK DRIVE SHAFT COMPONENTS	21
THREAD TRIMMER COMPONENTS	23
OIL LUBRICATION MECHANISM COMPONENTS	27
ACCESSORIES COMPONENTS (1).....	29
ACCESSORIES COMPONENTS (2).....	31
HOW TO MAKE USE OF THIS PARTS LIST	33

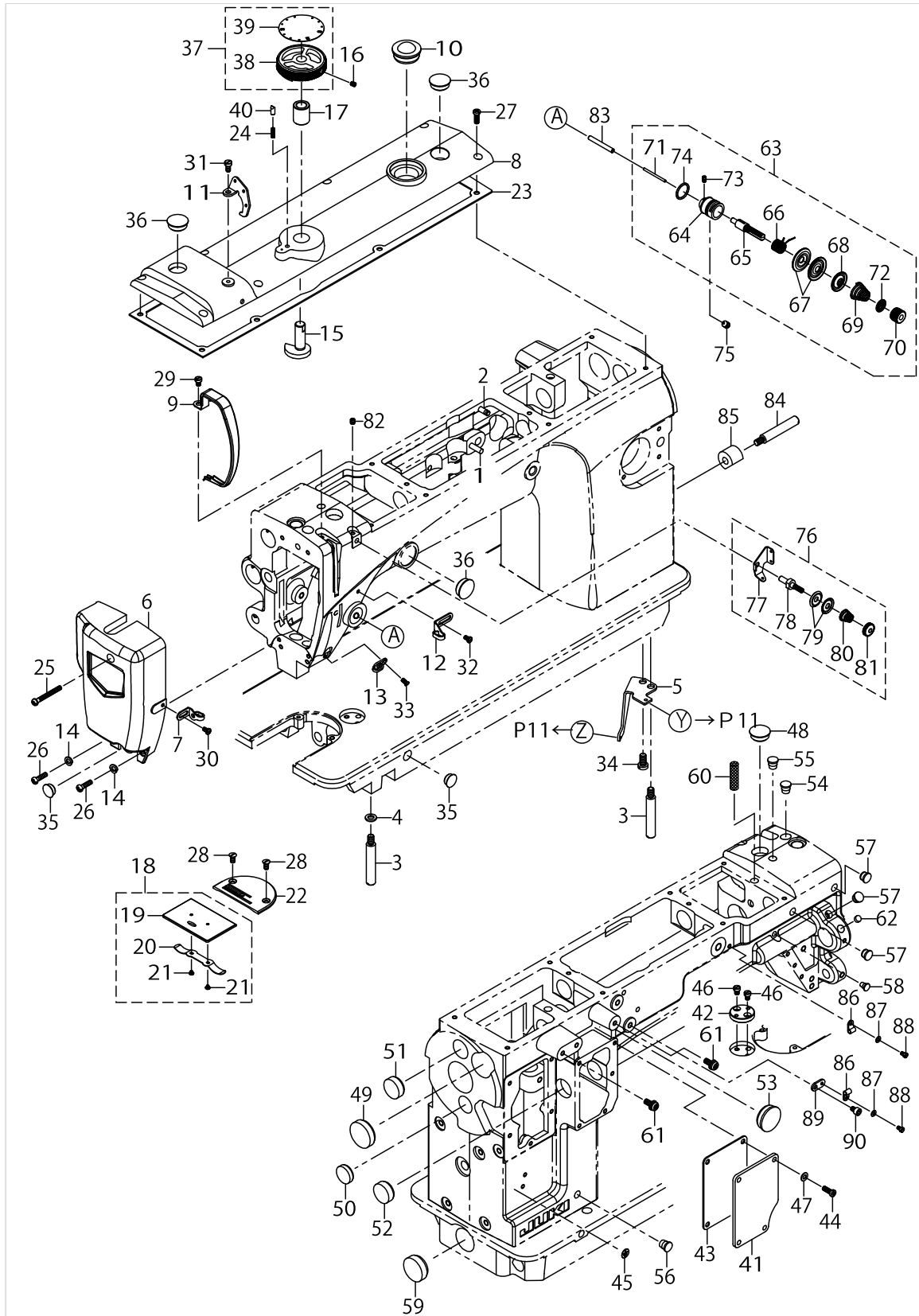
FRAME & MISCELLANEOUS COVER COMPONENTS



FRAME & MISCELLANEOUS COVER COMPONENTS

No.	Parts No.	Parts name	Remarks	Level	Cons	Qty
1	40148388	STOPPER PIN				1
2	40148389	SPRING SUSPENSION				1
3	40148390	BED SCREW STUD				3
4	40148391	SPRING LOCK WASHERS				2
5	40148392	SPRING SUSPENSION				1
6	40148393	FACE PLATE				1
7	40148394	THREAD GUIDE				1
8	40148395	TOP COVER				1
9	40148396	THREAD TAKE-UP LEVER COVER				1
10	40148397	OIL SIGHT WINDOW				1
11	40148398	THREAD GUIDE (UPPER)				1
12	40148399	THREAD GUIDE (CENTER)				1
13	40148433	THREAD GUIDE (LOWER)				1
14	40148432	SPACER				2
15	40148431	VERTICAL ADJUSTING CAM				1
16	40148430	SCREW M4X0.7 L=5				1
17	40148429	SPACER				1
18	40148405	SLIDE PLATE ASM.				1
19	40148406	SLIDE PLATE		*		1
20	40148407	SLIDE PLATE SPRING		*		1
21	40148408	SCREW 3/32-56 L=2.2		*		2
22	40148409	THROAT PLATE				1
23	40148410	PACKING				1
24	40148428	SPRING				1
25	40148412	SCREW M4X0.7 L=35				1
26	40148413	SCREW M4X0.7 L=20				2
27	40148414	SCREW 11/64-40 L=12				8
28	40148415	SCREW 11/64-40 L=8.3				2
29	40148416	SCREW 11/64-40 L=5.5				1
30	40148417	SCREW 9/64-40 L=6				1
31	40148418	SCREW 11/64-40 L=8				1
32	40148417	SCREW 9/64-40 L=6				1
33	40148420	SCREW 9/64-40 L=7.5				1
34	40148421	SCREW 15/64-28 L=12				1
35	40148422	RUBBER PLUG				2
36	40148423	RUBBER PLUG				3
37	40148424	DIAL ASM.				1
38	40148425	DIAL		*		1
39	40148426	DIAL PLATE		*		1
40	40148427	STOPPER PIN				1
41	40148451	SIDE COVER				1
42	40148452	SCALE BASE PLATE				1
43	40148453	PACKING				1
44	40148414	SCREW 11/64-40 L=12				4
45	40148455	GRAND MARK				1
46	40148416	SCREW 11/64-40 L=5.5				4
47	40148457	WASHER 9X0.8 D=4.6				4

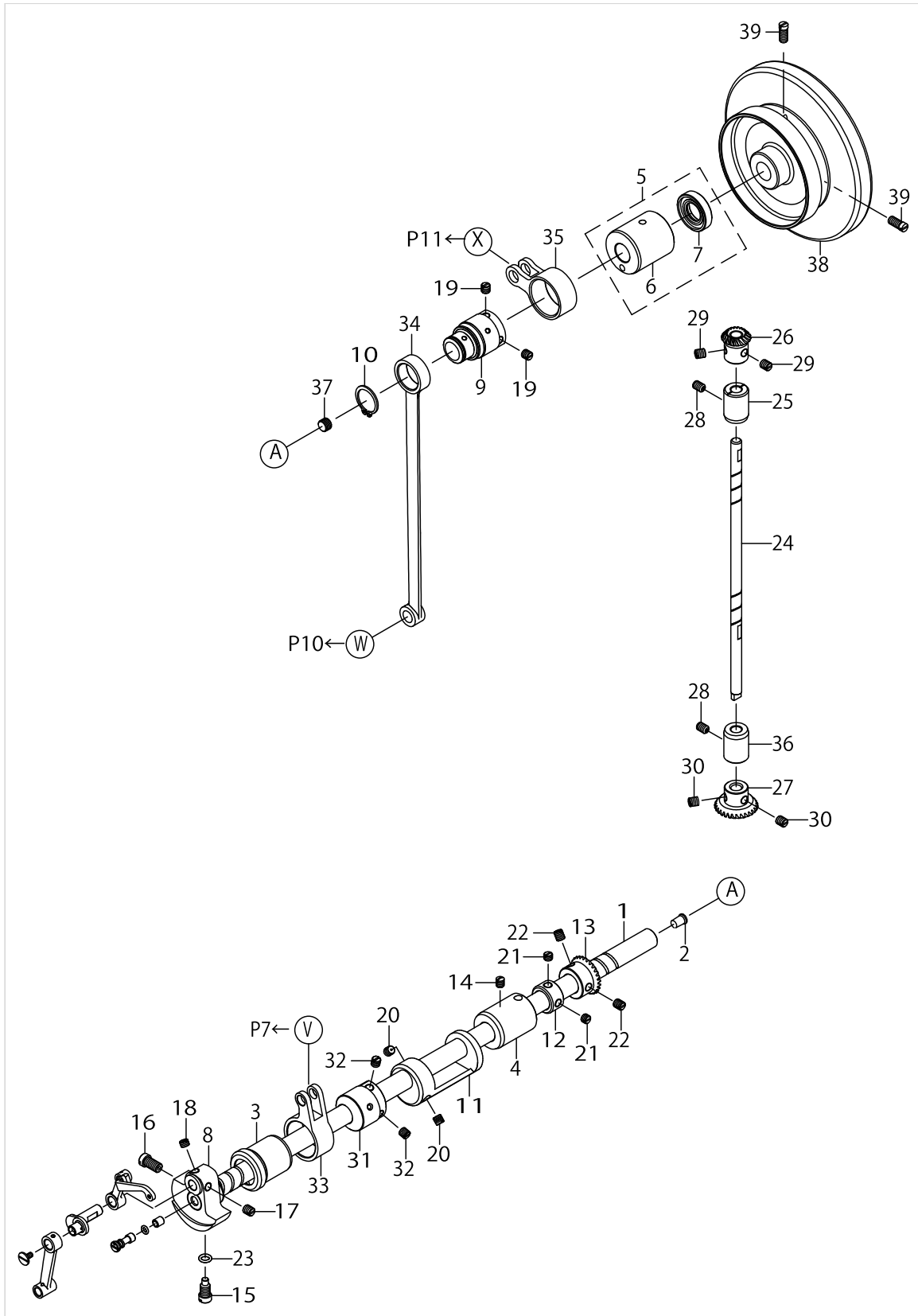
FRAME & MISCELLANEOUS COVER COMPONENTS



FRAME & MISCELLANEOUS COVER COMPONENTS

No.	Parts No.	Parts name	Remarks	Level	Cons	Qty
48	40148458	RUBBER PLUG				1
49	40148459	RUBBER PLUG				1
50	40148460	RUBBER PLUG				1
51	40148461	RUBBER PLUG				1
52	40148461	RUBBER PLUG				1
53	40148463	RUBBER PLUG				1
54	40148464	RUBBER PLUG				1
55	40148464	RUBBER PLUG				1
56	40148466	RUBBER PLUG				1
57	40148467	RUBBER PLUG				3
58	40148468	RUBBER PLUG				1
59	40148469	RUBBER PLUG				1
60	40148470	FELT				1
61	40148471	SCREWM5-0.8 L=12				2
62	40148472	FELT				1
63	40148886	THREAD TENSION REGULATOR ASM.				1
64	40148887	THREAD TENSION POST BRACKET		*		1
65	40148888	THREAD TENSION POST		*		1
66	40148889	SPRING A		*		1
67	40148890	TENSION DISK		*		2
68	40148891	TENSION REGULATOR PRESSER DISK		*		1
69	40148892	TENSION SPRING		*		1
70	40148893	NUT 1/4-40		*		1
71	40148894	TENTION RELEASING PIN		*		1
72	40148895	TENSION DISK STOPPER		*		1
73	40148896	SCREW 9/64-40 L=4		*		1
74	40148897	O-RINGS 15		*		1
75	40148898	SCREW 15/64-28 L=6				1
76	40148899	THREAD TENSION REGULATOR ASM.				1
77	40148900	UPPER THREAD TENSION PLATE		*		1
78	40148901	THREAD TENSION POST		*		1
79	40148902	TENSION DISK		*		2
80	40148903	TENSION SPRING		*		1
81	40148904	NUT 11/64-40		*		1
82	40148905	SCREW 11/64-40 L=5				1
83	40148906	TENTION RELEASING PIN				1
84	40148988	BELT COVER STUD				1
85	40148994	RUBBER RING				1
86	40148823	CORD HOLDER				2
87	40148457	WASHER 9X0.8 D=4.6				2
88	40148522	SCREW 11/64-40 L=6.5				1
89	40148523	CORD HOLDER SUPPORT PLATE				1
90	40148524	SCREW M6-1 L=8				1

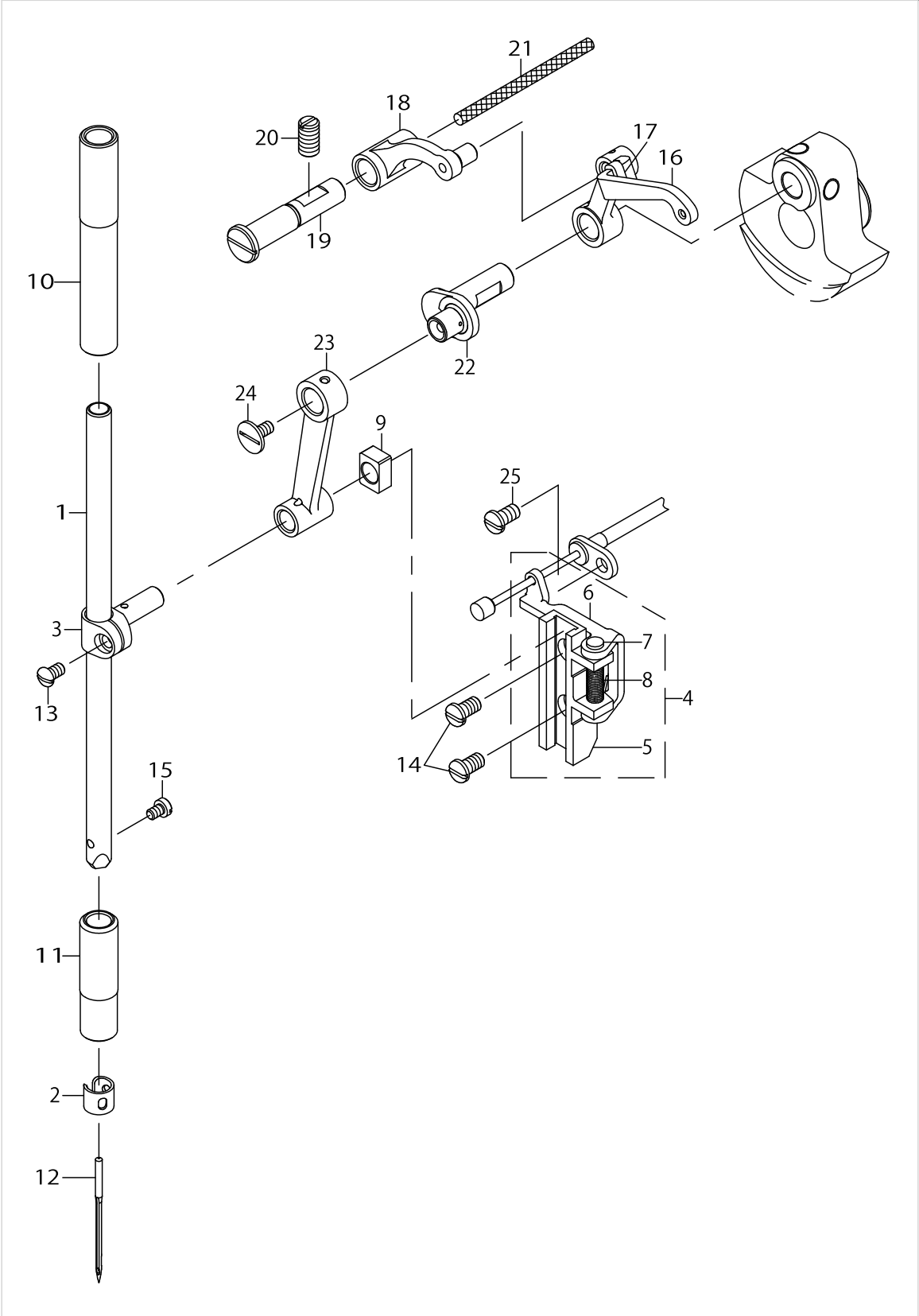
MAIN SHAFT & UPRIGHT SHAFT COMPONENTS



MAIN SHAFT & UPRIGHT SHAFT COMPONENTS

No.	Parts No.	Parts name	Remarks	Level	Cons	Qty
1	40148473	MAIN SHAFT				1
2	40148474	CAP				1
3	40148475	MAIN SHAFT BUSHING FRONT				1
4	40148476	MAIN SHAFT BUSHING CENTER				1
5	40148477	MAIN SHAFT BUSHING REAR ASM.				1
6	40148478	MAIN SHAFT BUSHING REAR		*		1
7	40148479	OIL SEAL		*		1
8	40148480	COUNTERWEIGHT				1
9	40148481	FEED CAM				1
10	40148482	RETAINING RINGS-C TYPE 20				1
11	40148483	BALANCE WEIGHT				1
12	40148484	THRUST COLLAR				1
13	40148485	BEVEL GEAR LARGE				1
14	40148486	SCREW 15/64-28 L=7				1
15	40148487	SCREW 9/32-28 L=13.5				1
16	40148488	SCREW 9/32-28 L=12				1
17	40148489	SCREW 1/4-40 L=7				1
18	40148490	SCREW 1/4-40 L=4.5				1
19	40148491	SCREW 1/4-40 L=8				2
20	40148492	SCREW 1/4-40 L=6				2
21	40148490	SCREW 1/4-40 L=4.5				2
22	40148489	SCREW 1/4-40 L=7				2
23	40148495	O-RINGS 6				1
24	40148496	UPRIGHT SHAFT				1
25	40148497	UPRIGHT SHAFT BUSHING				1
26	40148498	BEVEL GEAR SMALL				1
27	40148499	BEVEL GEAR LARGE				1
28	40148500	SCREW 15/64-28 L=8.5				2
29	40148501	SCREW 1/4-40 L=6				2
30	40148501	SCREW 1/4-40 L=6				2
31	40148503	DRIVING CAM				1
32	40148491	SCREW 1/4-40 L=8				2
33	40148505	CONNECTING ROD				1
34	40148506	FEED ROD				1
35	40148507	REVERSE SEWING CRANK				1
36	40148508	UPRIGHT SHAFT BUSHING				1
37	40148509	SCREW 11/32-28 L=6				1
38	40148512	HAND WHEEL				1
39	40148511	SCREW 15/64-28 L=18				2

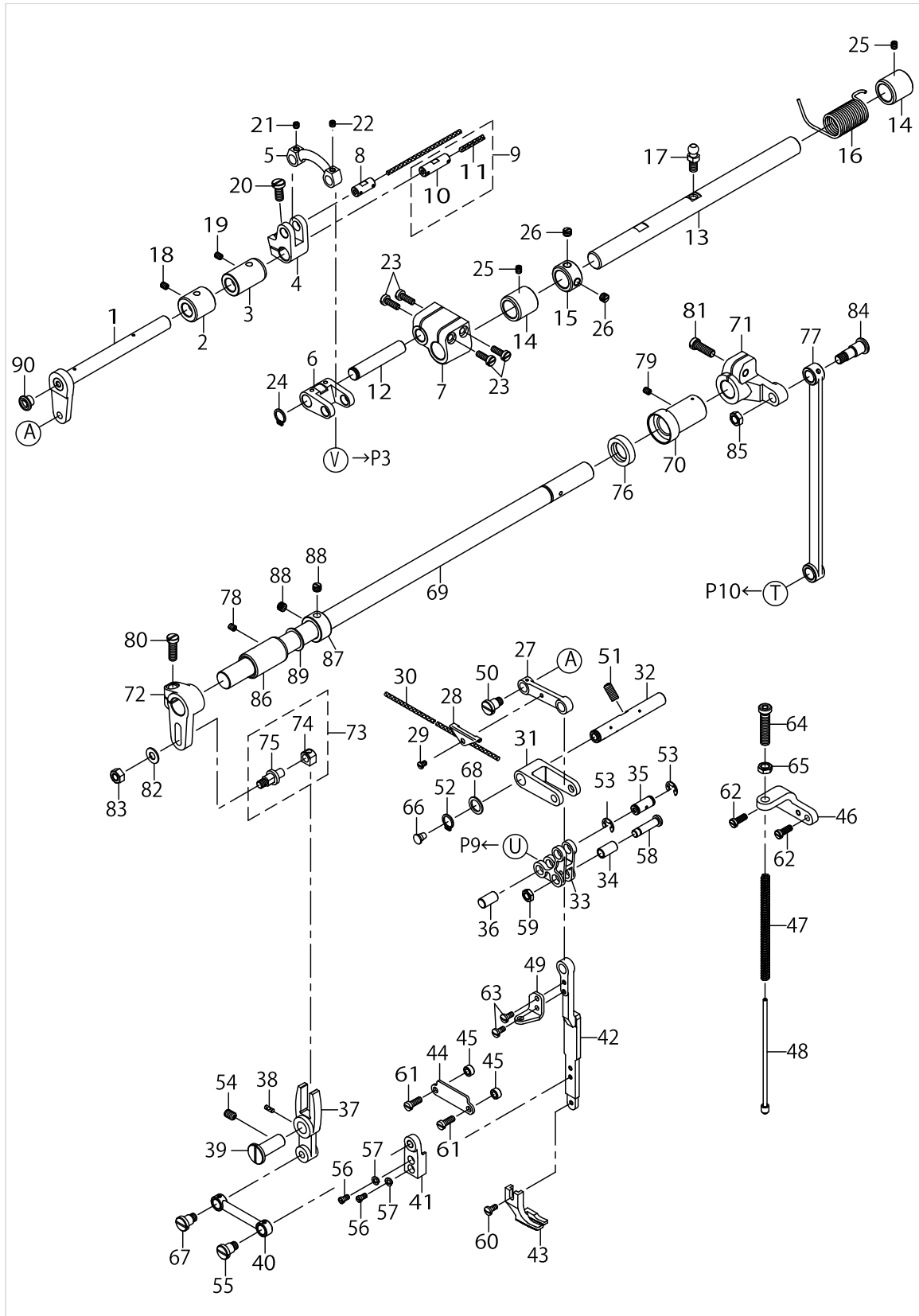
NEEDLE BAR & THREAD TAKE-UP LEVER COMPONENTS



NEEDLE BAR & THREAD TAKE-UP LEVER COMPONENTS

No.	Parts No.	Parts name	Remarks	Level	Cons	Qty
1	40148528	NEEDLE BAR				1
2	40148529	NEEDLE BAR THREAD GUIDE				1
3	40148530	NEEDLE BAR CONNECTION				1
4	40148531	NEEDLE BAR CONNECTING LINK GUIDE ASM.				1
5	40148532	NEEDLE BAR CONNECTING LINK GUIDE		*		1
6	40148533	THREAD RELEASING PLATE		*		1
7	40148534	TENSION RELEASING PIN		*		1
8	40148535	SPRING		*		1
9	40148536	SLIDE BLOCK				1
10	40148537	NEEDLE BAR BUSHING UPPER				1
11	40148538	NEEDLE BAR BUSHING LOWER				1
12	40148539	NEEDLE DPX17-22				1
13	40148540	SCREW 9/64-40 L=6				1
14	40148521	SCREW 11/64-40 L=8				2
15	40148542	SCREW 1/8-44 L=4.6				1
16	40148543	THREAD TAKE-UP LEVER				1
17	40148544	OIL GUARD RUBBER				1
18	40148545	THREAD TAKE-UP LEVER LINK				1
19	40148546	THREAD TAKE-UP LEVER LINK PIN				1
20	40148547	SCREW 15/64-28 L=11				1
21	40148548	FELT				1
22	40148549	NEEDLE BAR CRANK SHAFT				1
23	40148550	NEEDLE BAR CRANK ROD				1
24	40148551	SCREW 9/64-40				1
25	40148521	SCREW 11/64-40 L=8				1

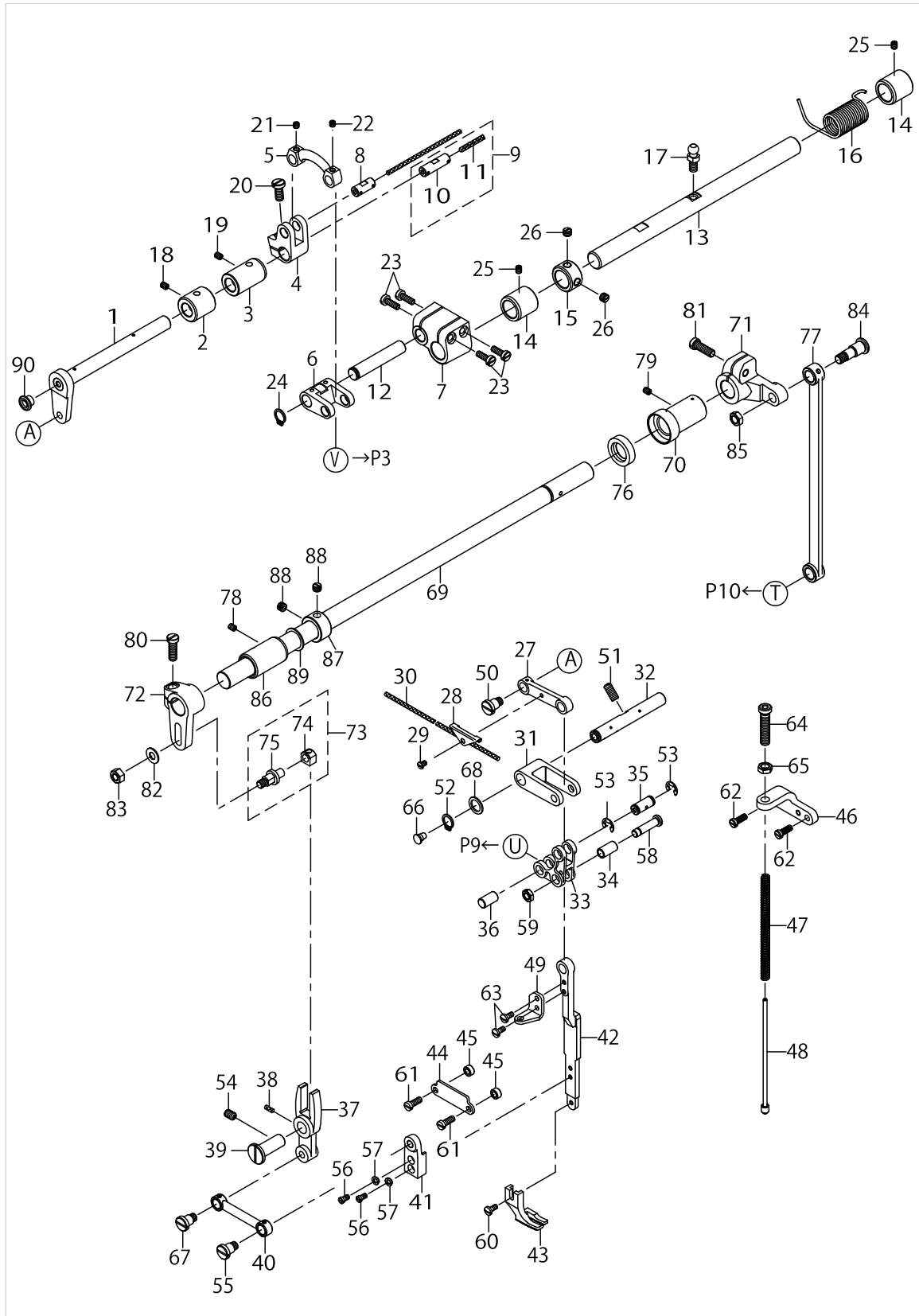
UPPER FEED MECHANISM COMPONENTS



UPPER FEED MECHANISM COMPONENTS

No.	Parts No.	Parts name	Remarks	Level	Cons	Qty
1	40148553	FEED ROCKER SHAFT COM.				1
2	40148554	BUSHING FRONT				1
3	40148555	BUSHING REAR				1
4	40148556	DRIVING SHAFT ARM FRONT				1
5	40148557	UPPER FEED LINK A				1
6	40148558	UPPER FEED LINK B				1
7	40148559	DRIVING SHAFT ROD FRONT				1
8	40148560	SHAFT A				1
9	40148561	SHAFT B ASM.				1
10	40148562	SHAFT B		*		1
11	40148563	OIL WICK		*		1
12	40148564	SHAFT C				1
13	40148565	SHAFT				1
14	40148566	BUSHING				2
15	40148567	THRUST COLLAR				1
16	40148568	SPRING				1
17	40148569	PIN				1
18	40148570	SCREW 11/64-40 L=5.5				1
19	40148570	SCREW 11/64-40 L=5.5				1
20	40148572	SCREW 15/64-28 L=14				1
21	40148573	SCREW 11/64-40 L=4				1
22	40148573	SCREW 11/64-40 L=4				1
23	40148575	SCREW 3/16-28 L=15				4
24	40148576	RETAINING RINGS-C TYPE 10				1
25	40148570	SCREW 11/64-40 L=5.5				1
26	40148490	SCREW 1/4-40 L=4.5				2
27	40148579	ROD				1
28	40148580	HOLDER				1
29	40148581	SCREW 9/64-40 L=5				1
30	40148582	OIL WICK				1
31	40148583	BELL CRANK LINK				1
32	40148584	BELL CRANK SHAFT				1
33	40148585	BELL CRANK				1
34	40148586	BUSHING				1
35	40148587	PIN A				1
36	40148588	PIN B				1
37	40148589	SLIDE FORK				1
38	40148590	OIL WICK				1
39	40148591	SLIDE FORK PIN				1
40	40148592	ROD				1
41	40148593	FEED ARM				1
42	40148594	WALKING FOOT GUIDE LINK				1
43	40148595	WALKING FOOT (STANDARD)				1
44	40148596	SUPPORTING PLATE				1
45	40148597	WASHER				2
46	40148598	PRESSER REGULATING BRACKET				1
47	40148599	SPRING				1

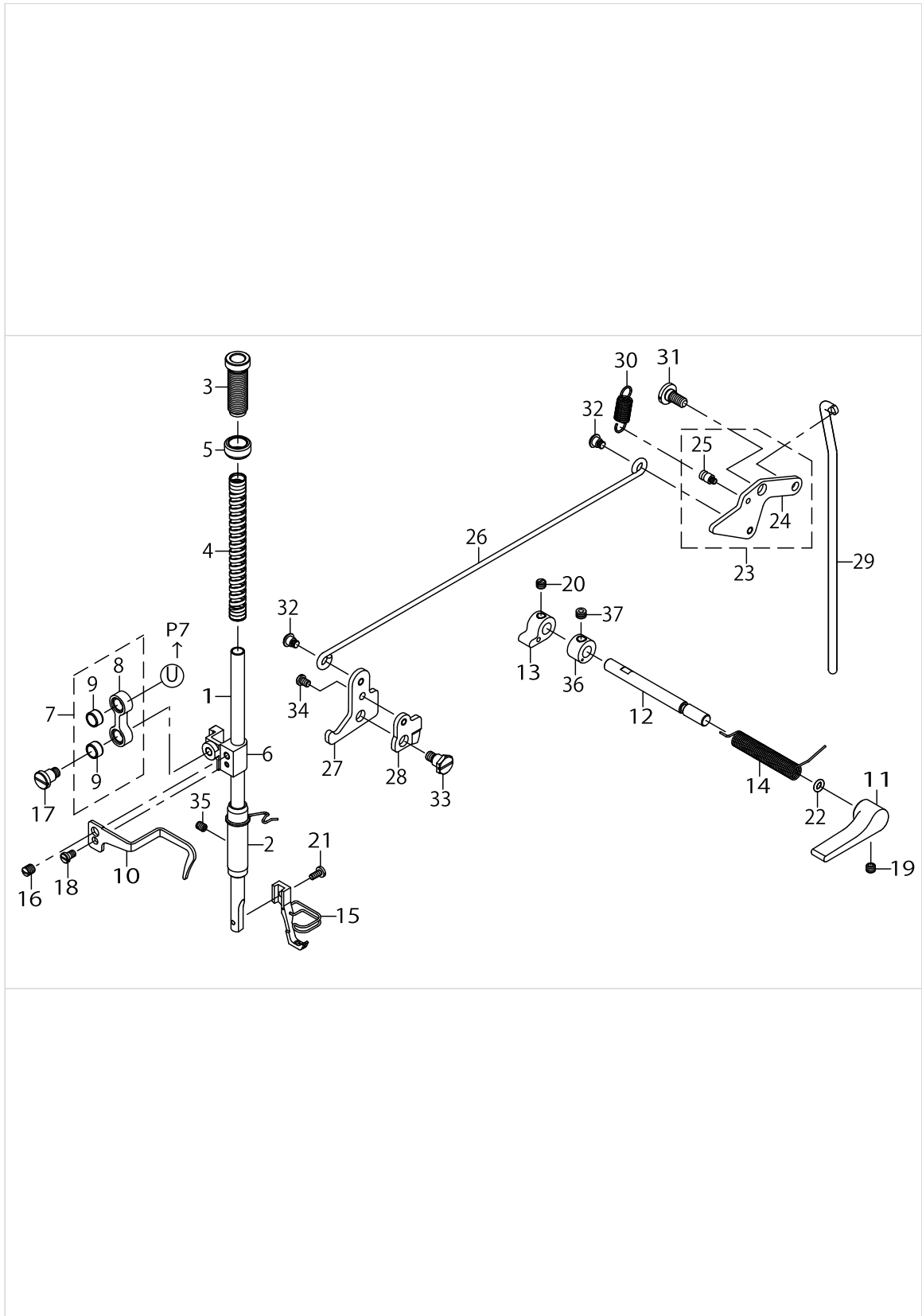
UPPER FEED MECHANISM COMPONENTS



UPPER FEED MECHANISM COMPONENTS

No.	Parts No.	Parts name	Remarks	Level	Cons	Qty
48	40148600	SPRING GUIDE BAR ASM.				1
49	40148601	PROP UP PLATE				1
50	40148602	HINGE SCREW 1/4-40 D=8 L=7				1
51	40148603	SCREW 15/64-28 L=14				1
52	40148576	RETAINING RINGS-C TYPE 10				1
53	40148605	RETAINING RINGS- E TYPE 6				2
54	40148500	SCREW 15/64-28 L=8.5				1
55	40148602	HINGE SCREW 1/4-40 D=8 L=7				1
56	40148608	SCREW 9/64-40 L=8				2
57	40148609	SPRING LOCK WASHERS 3.6				2
58	40148610	SCREW 15/64-28 D=6 L=20				1
59	40148611	NUT 15/64-28				1
60	40148612	SCREW 9/64-40 L=8				1
61	40148613	SCREW 11/64-40 L=12				2
62	40148613	SCREW 11/64-40 L=12				2
63	40148612	SCREW 9/64-40 L=8				2
64	40148616	SCREW 9/32-28 L=31				1
65	40148617	NUT 9/32-28				1
66	40148468	RUBBER				1
67	40148619	HINGE SCREW 1/4-40 D=8 L=7				1
68	40148621	WASHER 14.5X1.05 D=10.1				1
69	40148622	DRIVING SHAFT				1
70	40148623	BUSHING				1
71	40148624	DRIVING SHAFT ROD REAR				1
72	40148625	DRIVING SHAFT ROD FRONT				1
73	40148626	SLIDE BLOCK ASM.				1
74	40148627	SLIDE BLOCK		*		1
75	40148628	STUD		*		1
76	40148629	OIL SEAL				1
77	40148630	FEED DRIVE CONNECTING LINK				1
78	40148570	SCREW 11/64-40 L=5.5				1
79	40148570	SCREW 11/64-40 L=5.5				1
80	40148633	SCREW 15/64-28 L=18				1
81	40148633	SCREW 15/64-28 L=18				1
82	40148635	WASHER 13X1 D=6.2				1
83	40148636	NUT 1/4-24				1
84	40148637	HINGE SCREW 9/32-28				1
85	40148638	NUT 9/32-28				1
86	40148639	BUSHING				1
87	40148567	THRUST COLLAR				1
88	40148490	SCREW 1/4-40 L=4.5				2
89	40148642	WASHER 19X1 D=14.73				1
90	40148525	THREAD GUIDE				1

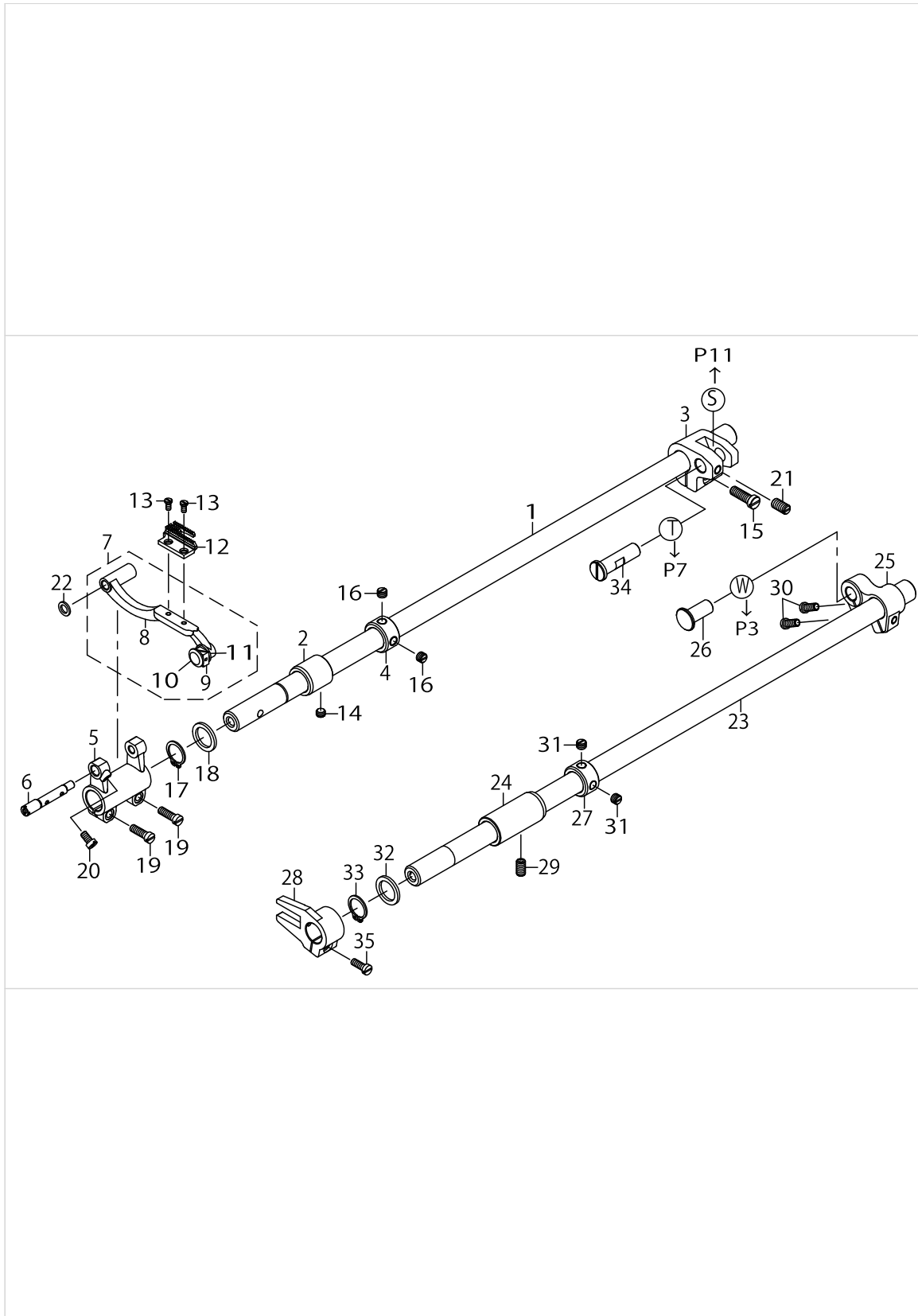
PRESSURE BAR & KNEE LIFTER COMPONENTS



PRESSURE BAR & KNEE LIFTER COMPONENTS

No.	Parts No.	Parts name	Remarks	Level	Cons	Qty
1	40148643	PRESSER BAR				1
2	40148644	PRESSER BAR BUSHING				1
3	40148645	SCREW				1
4	40148646	PRESSER SPRING				1
5	40148647	NUT				1
6	40148648	PRESSER BAR GUIDE BRACKET				1
7	40148649	PRESSER BAR GUIDE BRACKET RINK ASM.				1
8	40148650	PRESSER BAR GUIDE BRACKET RINK		*		1
9	40148651	BUSHING		*		2
10	40148652	THREAD GUIDE				1
11	40148653	HAND LIFTER LEVER				1
12	40148654	PRESSER BAR LIFTING PIN				1
13	40148655	HAND LIFTER CAM				1
14	40148656	SPRING				1
15	40148657	PRESSER FOOT				1
16	40148486	SCREW 15/64-28 L=7				1
17	40148602	HINGE SCREW 1/4-40 D=8 L=7				1
18	40148660	SCREW 11/64-40 L=6				1
19	40148661	SCREW 15/64-28 L=4.5				1
20	40148661	SCREW 15/64-28 L=4.5				1
21	40148612	SCREW 9/64-40 L=8				1
22	40148664	O-RINGS 5				1
23	40148665	PRESSER BAR LIFTING LINK COM.				1
24	40148666	PRESSER BAR LIFTING LINK		*		1
25	40148667	SPRING HOOK		*		1
26	40148668	SIDE CONNECTING BAR				1
27	40148669	THREAD RELEASING PLATE A				1
28	40148670	THREAD RELEASING PLATE B				1
29	40148671	LIFTING LEVER CONNECTING ROD				1
30	40148672	SPRING				1
31	40148673	HINGE SCREW 1/4-24 D=8 L=3.4				1
32	40148674	HINGE SCREW 3/16-28 D=6 L=3.5				2
33	40148675	HINGE SCREW 15/64-28 D=8 L=6.4				1
34	40148660	SCREW 11/64-40 L=6				1
35	40148677	SCREW 11/64-40 L=10				1
36	40148678	THRUST COLLAR				1
37	40148679	SCREW 1/4-40 L=4.5				1

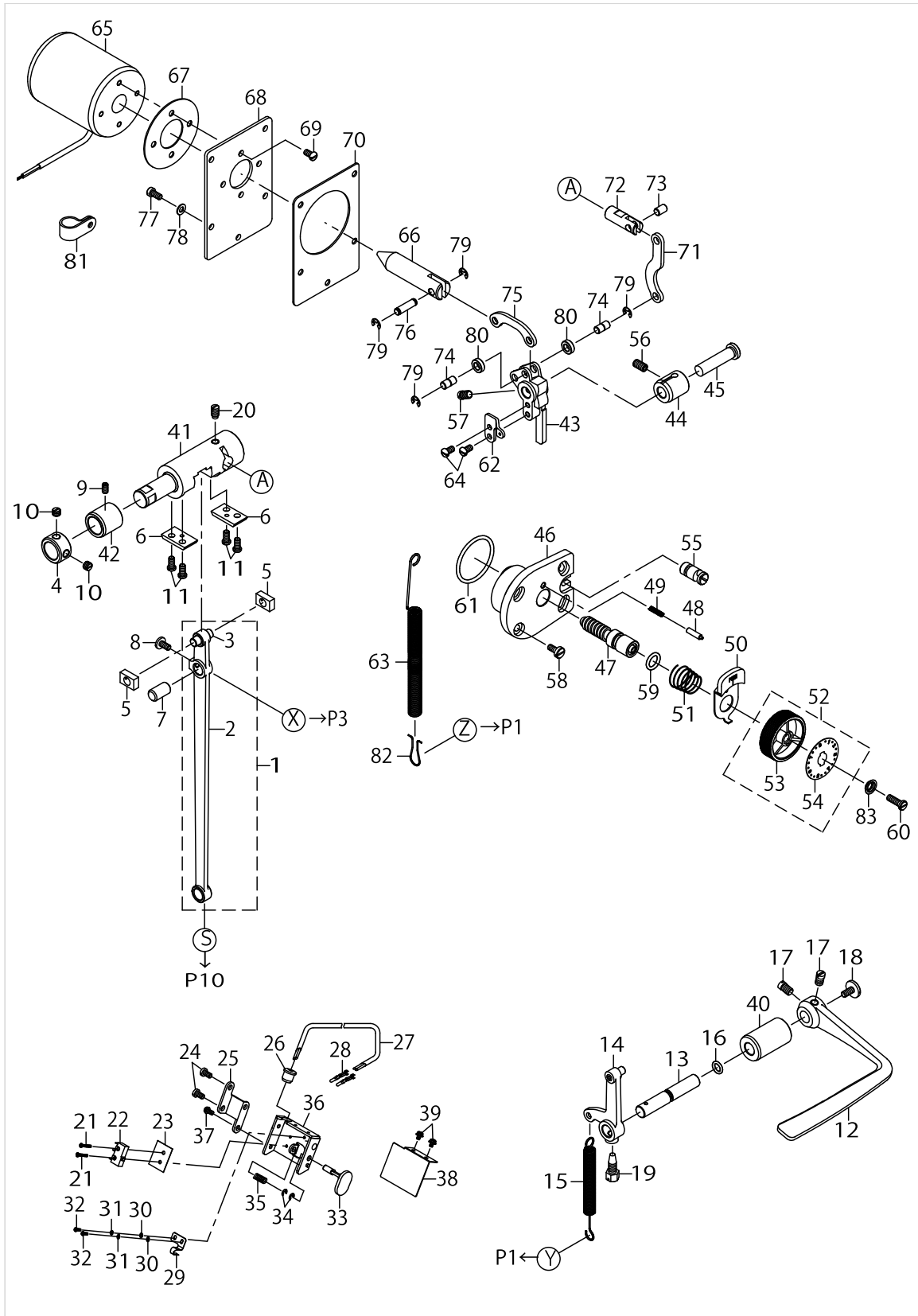
LOWER FEED MECHANISM COMPONENTS



LOWER FEED MECHANISM COMPONENTS

No.	Parts No.	Parts name	Remarks	Level	Cons	Qty
1	40148680	FEED ROCKER SHAFT				1
2	40148566	BUSHING FRONT				1
3	40148682	FEED ROCKER SHAFT CRANK				1
4	40148567	THRUST COLLAR				1
5	40148684	FEED BAR ROD				1
6	40148685	FEED BAR SHAFT				1
7	40148686	FEED BAR ASM.				1
8	40148687	FEED BAR		*		1
9	40148688	SQUARE BLOCK		*		1
10	40148689	SHAFT		*		1
11	40148690	WASHER 13X1.5 D=6.1		*		1
12	40148691	FEED DOG				1
13	40148692	SCREW 1/8-44 L=6				2
14	40148693	SCREW 15/64-28 L=4				1
15	40148633	SCREW 15/64-28 L=18				1
16	40148490	SCREW 1/4-40 L=4.5				2
17	40148696	RETAINING RINGS-C TYPE 15				1
18	40148697	WASHER 20.5X1.9 D=14.8				1
19	40148575	SCREW 3/16-28 L=15				2
20	40148418	SCREW 11/64-40 L=8				1
21	40148547	SCREW 15/64-28 L=11				1
22	40148701	WASHER 10X1.2 D=6.2				1
23	40148702	FEED LIFTING ROCK SHAFT				1
24	40148703	BUSHING FRONT				1
25	40148704	FEED LIFTING ROCK LINK				1
26	40148705	FEED ROD SHAFT				1
27	40148567	THRUST COLLAR				1
28	40148707	FEED BAR FORKED CONNECTION				1
29	40148547	SCREW 15/64-28 L=11				1
30	40148709	SCREW 3/16-28 L=12				2
31	40148490	SCREW 1/4-40 L=4.5				2
32	40148697	WASHER 20.5X1.9 D=14.8				1
33	40148696	RETAINING RINGS-C TYPE 15				1
34	40148713	HORIZONTAL FEED ROD SHAFT				1
35	40148613	SCREW 11/64-40 L=12				1

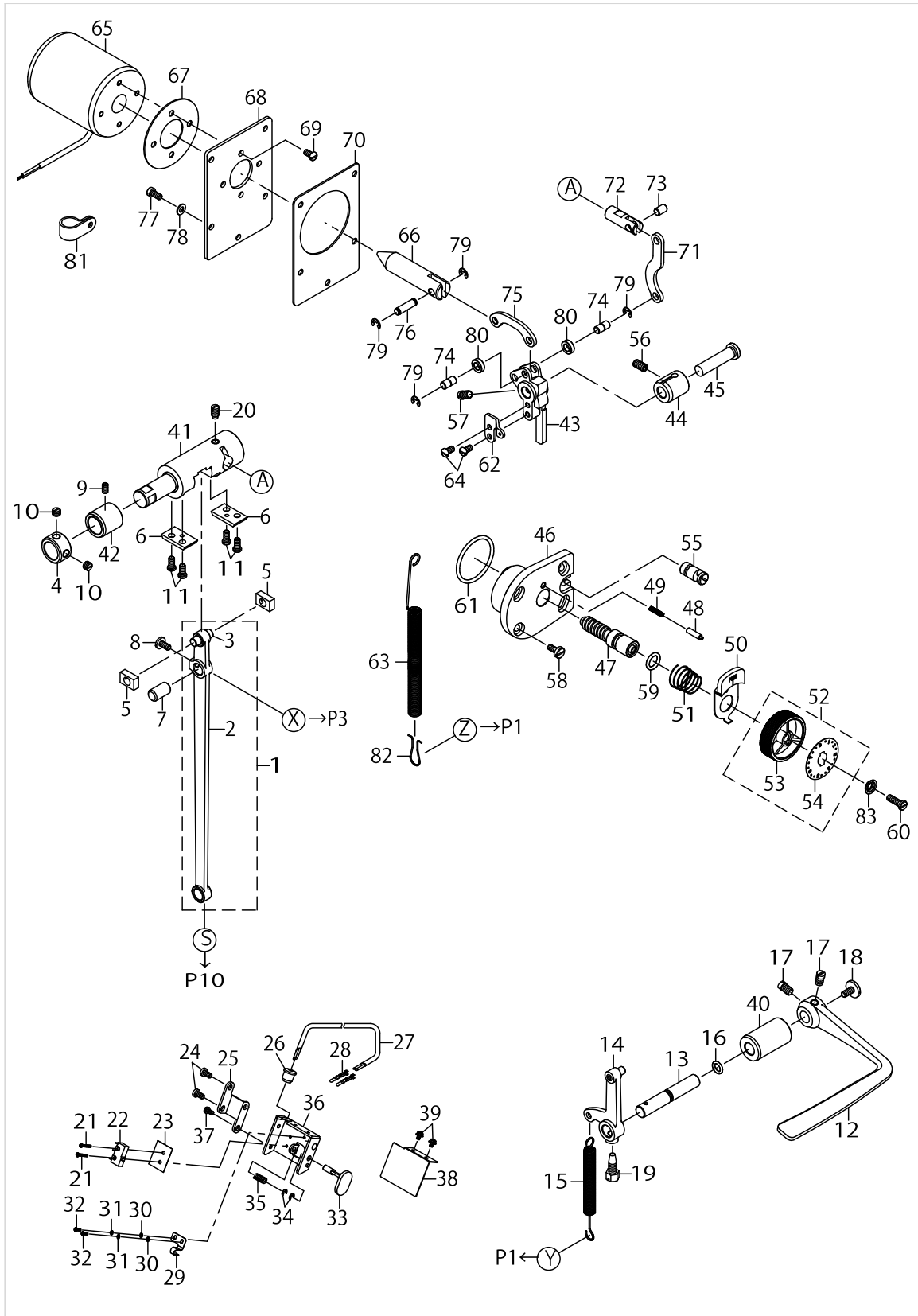
FEED ADJUSTMENT MECHANISM COMPONENTS



FEED ADJUSTMENT MECHANISM COMPONENTS

No.	Parts No.	Parts name	Remarks	Level	Cons	Qty
1	40148715	HORIZONTAL FEED ROD COM.				1
2	40148755	HORIZONTAL FEED ROD		*		1
3	40148756	HORIZONTAL FEED ROD PIN		*		1
4	40148718	THRUST COLLAR				1
5	40148719	SQUARE BLOCK				2
6	40148720	GUIDE PLATE				2
7	40148721	PIN				1
8	40148722	SCREW 11/64-40 L=7				1
9	40148723	SCREW 11/64-40 L=7				1
10	40148490	SCREW 1/4-40 L=4.5				2
11	40148725	SCREW 11/64-40 L=9				4
12	40148726	LEVER				1
13	40148727	LEVER SHAFT				1
14	40148728	REVERSE FEED CRANK ASM.				1
15	40148729	SPRING				1
16	40148730	O-RINGS 7				1
17	40148731	SCREW 15/64-28 L=9				2
18	40148732	SCREW 3/16-28 L=10				1
19	40148733	SCREW15/64-28 L=16.5				1
20	40148734	SCREW 15/64-28 L=10.5				1
21	40148735	SCREW M2X0.4 L=8				2
22	40148736	MICROSWITCH				1
23	40148737	INSULATOR SHEET				1
24	40148738	SCREW 11/64-40 L=7.8				2
25	40148739	MICROSWITCH SUPPORT PLATE				1
26	40148740	RUBBER PLUG				1
27	40148741	2-C CABLE				1
28	40148742	PIN TERMINAL				2
29	40148743	SPRING				1
30	40148744	WASHER				2
31	40148745	SPRING LOCK WASHERS				2
32	40148746	SCREW M2X0.4 L=4				2
33	40148747	SWITCH LEVER				1
34	40148748	RETAINING RINGS- E TYPE 3				2
35	40148749	SPRING				1
36	40148750	SWITCH COVER				1
37	40148751	SCREW M4X0.7 L=6				2
38	40148752	SCREW M3X0.5 L=5				2
39	40148753	SWITCH BOX COVER				1
40	40148754	LEVER SHAFT BUSHING				1
41	40148716	REVERSE BLOCK				1
42	40148566	BUSHING				1
43	40148757	FEED REGULATOR				1
44	40148758	BUSHING				1
45	40148759	FEED REGURATOR SHAFT				1
46	40148760	STITCH DIAL BASE				1
47	40148761	FEED REGULATING SCREW				1

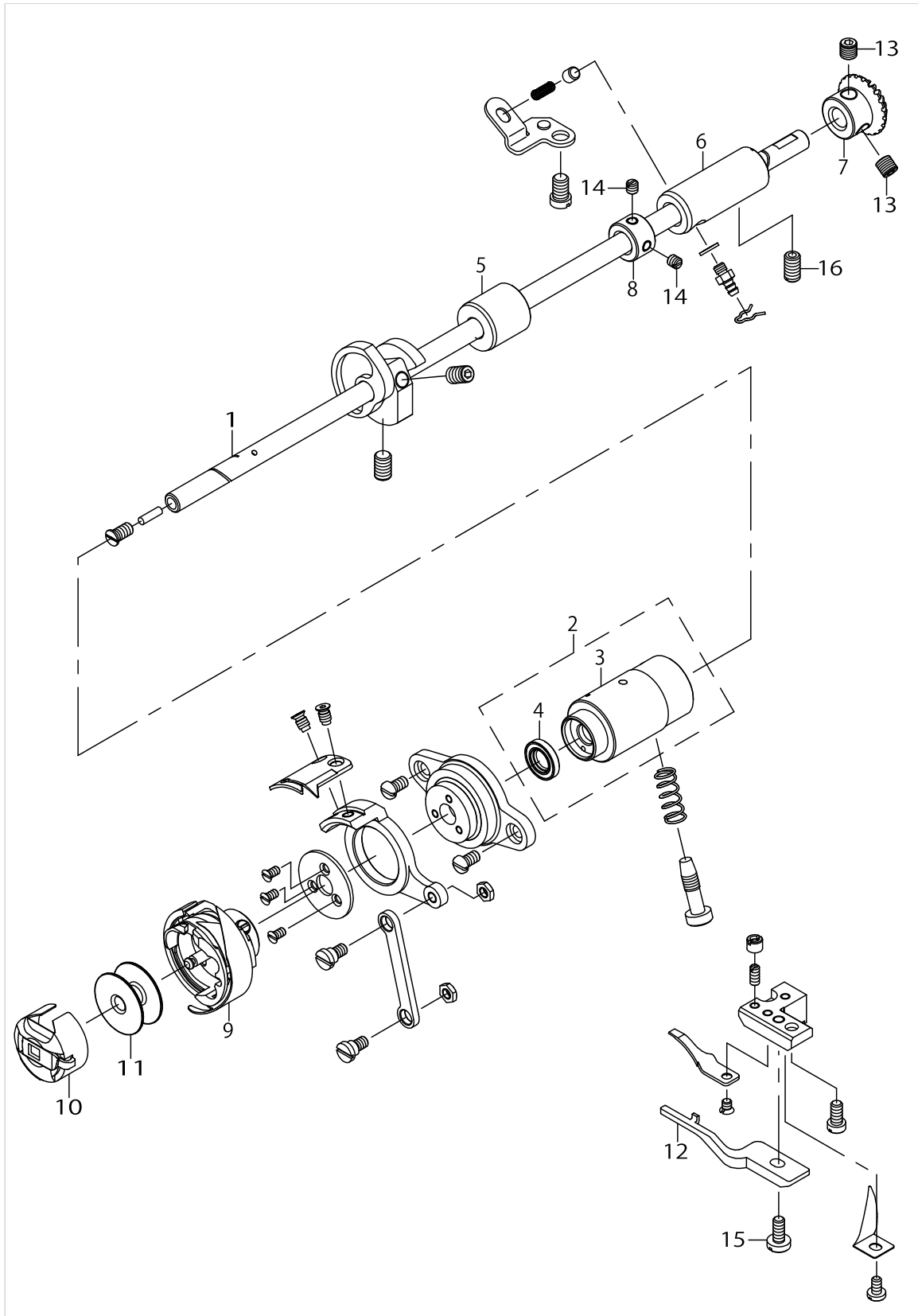
FEED ADJUSTMENT MECHANISM COMPONENTS



FEED ADJUSTMENT MECHANISM COMPONENTS

No.	Parts No.	Parts name	Remarks	Level	Cons	Qty
48	40148762	PIN				1
49	40148763	SPRING				1
50	40148764	STOPPER PIN RELEASING LEVER				1
51	40148765	SPRING				1
52	40148766	DIAL ASM.				1
53	40148767	DIAL		*		1
54	40148768	DIAL PLATE		*		1
55	40148769	ECCENTRIC PIN				1
56	40148547	SCREW 15/64-28 L=11				1
57	40148771	SCREW 15/64-28 L=8.5				1
58	40148772	SCREW 11/64-40 L=10				4
59	40148773	O-RINGS 10				1
60	40148774	SCREW 3/16-28 L=15				1
61	40148776	O-RINGS 35.5				1
62	40148777	BRACKET				1
63	40148778	SPRING				1
64	40148521	SCREW 11/64-40 L=8				2
65	40148780	REVERSE FEED SOLENOID				1
66	40148781	CORE				1
67	40148782	PACKING				1
68	40148783	ARM SIDE COVER				1
69	40148521	SCREW 11/64-40 L=8				4
70	40148785	PACKING				1
71	40148786	FEED CONNECTING LINK				1
72	40148787	SET PIN				1
73	40148788	PIN				1
74	40148789	PIN				2
75	40148790	FEED CONNECTING LINK				1
76	40148791	PIN				1
77	40148613	SCREW 11/64-40 L=12				5
78	40148457	WASHER 9X0.8 D=4.6				5
79	40148794	E-SHAPED SNAP RINGS (4MM)				4
80	40148795	WASHER 11X3.5 D=6				2
81	40148796	CORD HOLDER				1
82	40148797	SPRING HOLDER				1
83	40148798	WASHER				1

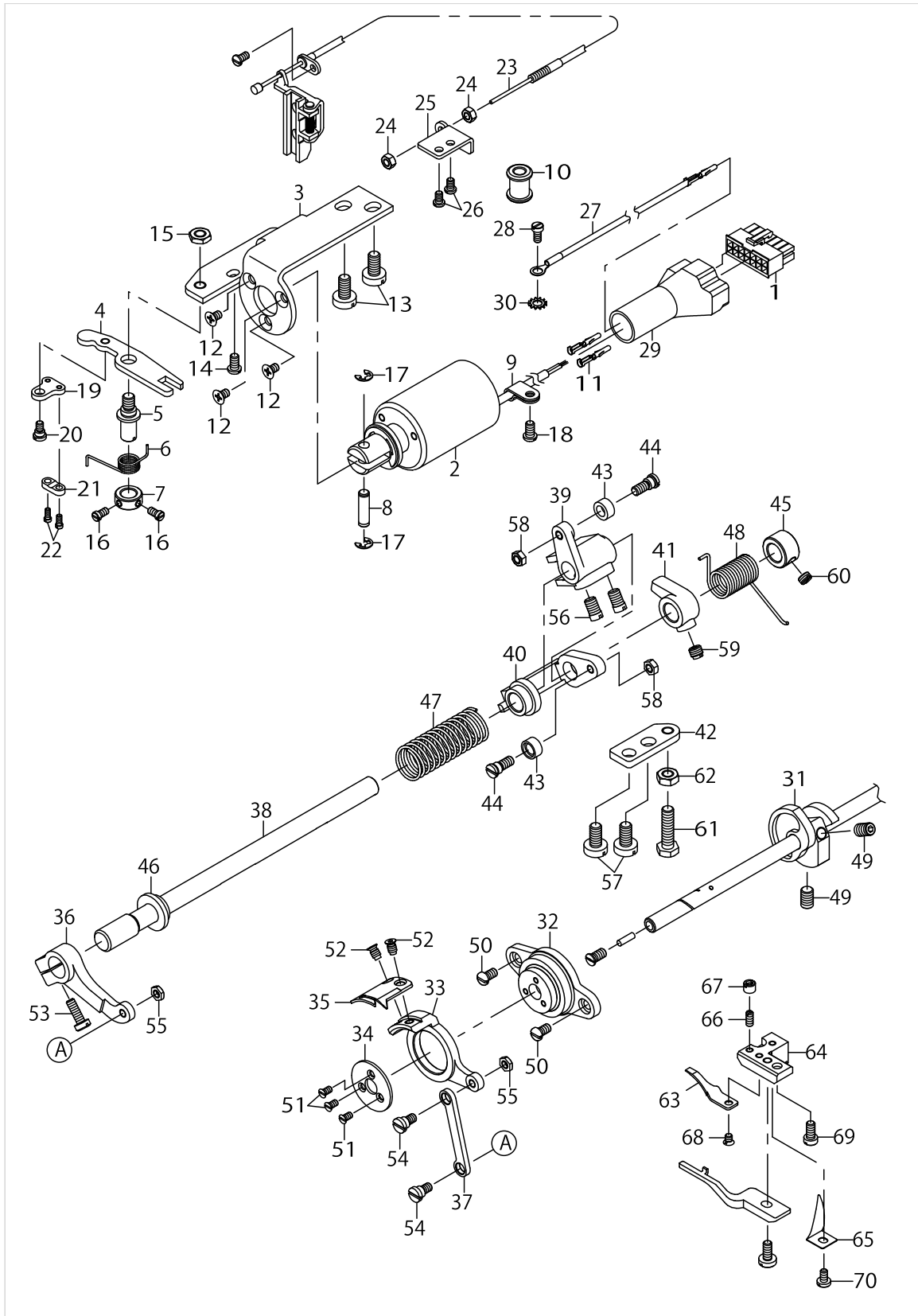
HOOK DRIVE SHAFT COMPONENTS



HOOK DRIVE SHAFT COMPONENTS

No.	Parts No.	Parts name	Remarks	Level	Cons	Qty
1	40148799	HOOK DRIVING SHAFT				1
2	40148800	BUSHING FRONT ASM.				1
3	40148801	BUSHING FRONT		*		1
4	40148802	OIL SEAL		*		1
5	40148803	BUSHING CENTER				1
6	40148804	BUSHING REAR				1
7	40148805	SCREW GEAR BACK				1
8	40148806	THRUST COLLAR				1
9	40148807	HOOK				1
10	40148808	BOBBIN CASE				1
11	40148809	BOBBIN				1
12	40148810	BOBBIN CASE POSITIONING FINGER				1
13	40148501	SCREW 1/4-40 L=6				2
14	40148812	SCREW 11/64-40 L=4.5				2
15	40148772	SCREW 11/64-40 L=10				1
16	40148547	SCREW 15/64-28 L=11				1

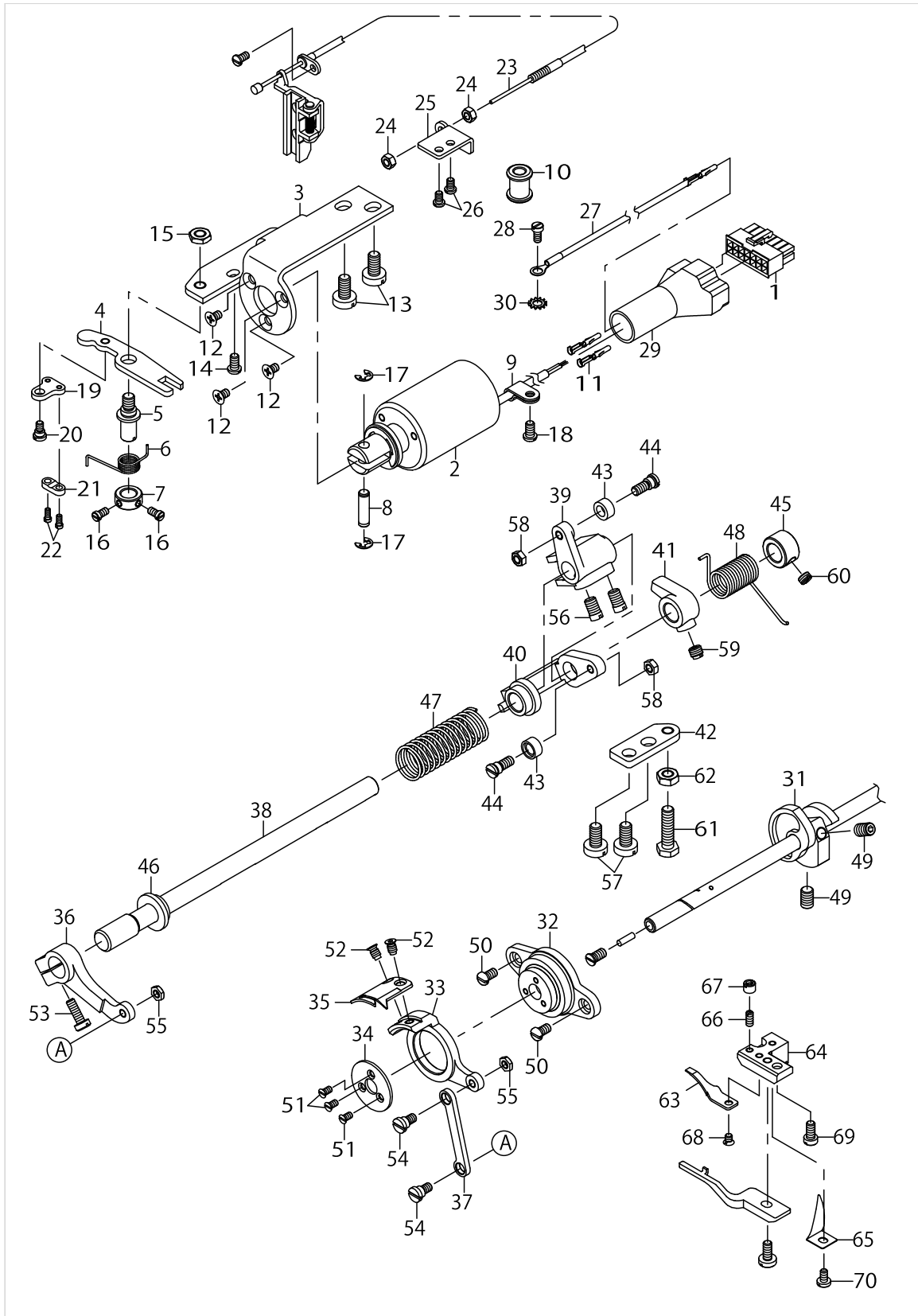
THREAD TRIMMER COMPONENTS



THREAD TRIMMER COMPONENTS

No.	Parts No.	Parts name	Remarks	Level	Cons	Qty
1	40148815	CONNECTOR				1
2	40148816	THREAD CUTTING SOLENOID ASM.				1
3	40148817	SOLENOID INSTALING BASE				1
4	40148818	FLEXIBLE DRIVING LEVER				1
5	40148819	SCREW 15/64-28				1
6	40148820	SPRING				1
7	40148821	THRUST COLLAR				1
8	40148791	PIN				1
9	40148823	CORD HOLDER				1
10	40148824	STRAIN RELIEF BUSHING				1
11	40148742	PIN TERMINAL				2
12	40148826	SCREW M4-0.7 L=6.5				3
13	40148827	SCREW 15/64-28 L=12				2
14	40148521	SCREW 11/64-40 L=8				1
15	40148829	NUT 15/64-28				1
16	40148830	SCREW 9/64-40 L=6.5				2
17	40148794	E-SHAPED SNAP RINGS (4MM)				2
18	40148521	SCREW 11/64-40 L=8				1
19	40148833	BRACKET				1
20	40148834	HINGE SCREW				1
21	40148835	BRACKET				1
22	40148836	SCREW 1/8-44 L=6.8				2
23	40148837	FLEXIBLE WIRE ASM.				1
24	40148838	NUT M5X0.8				2
25	40148839	HOLDER				1
26	40148840	SCREW 11/64-40 L=7				2
27	40148841	GROUND WIRE ASM.				1
28	40148842	SCREW 11/64-40 L=9				1
29	40148843	CONNECTOR COVER				1
30	40148844	TOOTHED LOCKWASHER 9.5XT0.5D=4.8				1
31	40148845	THREAD TRIMMER CAM				1
32	40148846	KNIFE HOLDING BRACKET SADDLE				1
33	40148847	KNIFE BASE				1
34	40148848	SPECIAL WASHER				1
35	40148849	MOVABLE KNIFE				1
36	40148850	KNIFE DRIVING CRANK				1
37	40148851	LINK				1
38	40148852	KNIFE DRIVING SHAFT				1
39	40148853	CAM FOLLOWER CRANK A				1
40	40148854	CAM FOLLOWER CRANK B				1
41	40148855	STOPPER				1
42	40148856	STOPPER PLATE				1
43	40148857	ROLLER				2
44	40148858	HINGE SCREW 3/16-28 D=6 L=3.6				2
45	40148859	THRUST COLLAR				1
46	40148860	BUSHING				1
47	40148861	SPRING				1

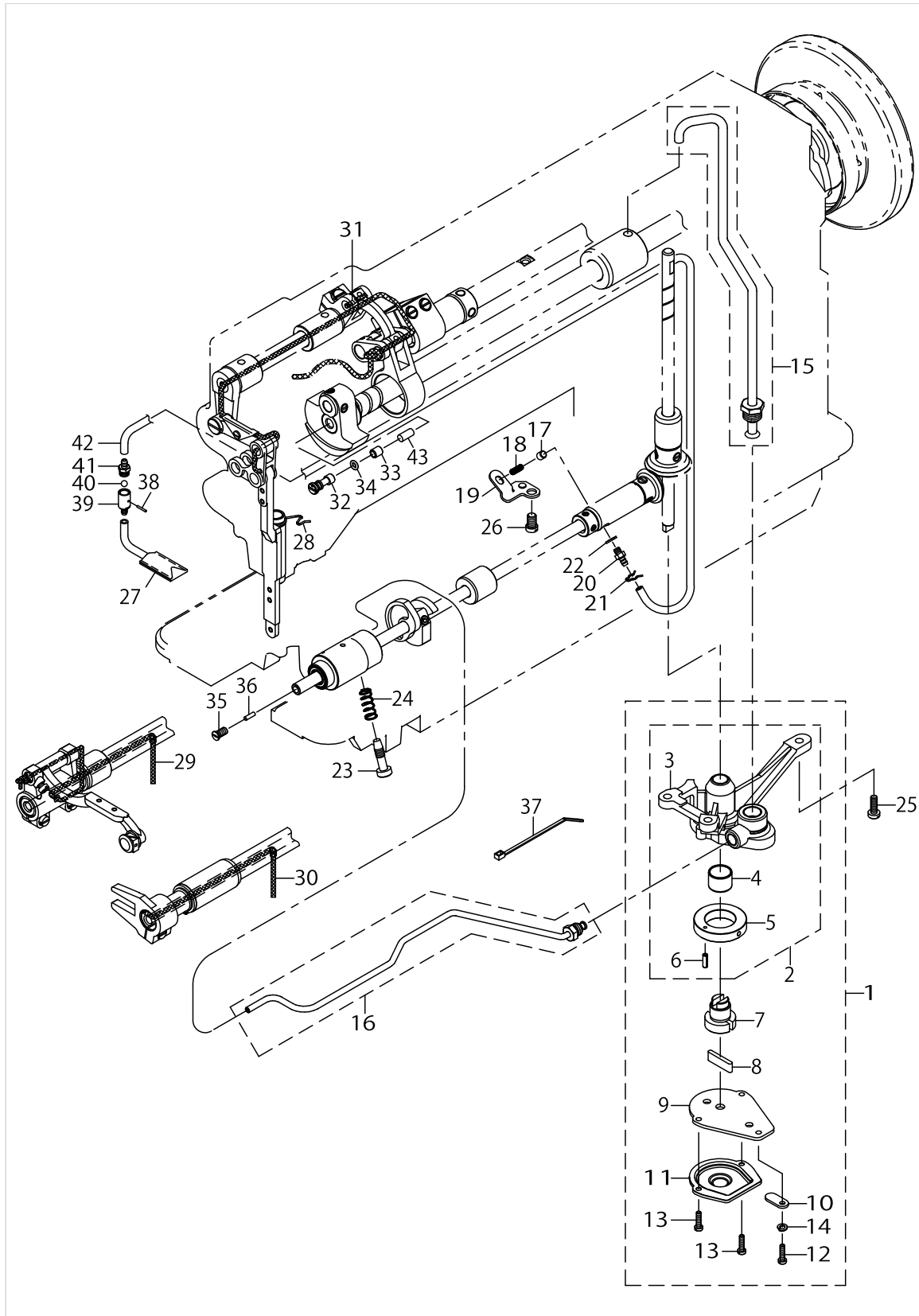
THREAD TRIMMER COMPONENTS



THREAD TRIMMER COMPONENTS

No.	Parts No.	Parts name	Remarks	Level	Cons	Qty
48	40148862	SPRING				1
49	40148863	SCREW 1/4-40 L=10				2
50	40148521	SCREW 11/64-40 L=8				2
51	40148865	SCREW 1/8-44 L=6				3
52	40148866	SCREW 11/64-40 L=7				2
53	40148867	SCREW 11/64-40 L=13				1
54	40148868	HINGE SCREW 11/64-40 D=6 L=3.1				2
55	40148869	NUT 11/64-40				2
56	40148870	SCREW 15/64-28 L=8				2
57	40148827	SCREW 15/64-28 L=12				2
58	40148872	NUT 3/16-28				2
59	40148491	SCREW 1/4-40 L=8				1
60	40148874	SCREW 1/4-40 L=3.5				1
61	40148875	SCREW 15/64-28 L=23				1
62	40148876	NUT 15/64-28				1
63	40148877	FIXED KNIFE				1
64	40148878	FIXED KNIFE BASE				1
65	40148879	THREAD GUIDE				1
66	40148880	SCREW 9/64-40 L=8.5				1
67	40148881	NUT 9/64-40				1
68	40148882	SCREW 9/64-40 L=4.5				1
69	40148842	SCREW 11/64-40 L=9				1
70	40148884	SCREW 9/64-40 L=6.5				1

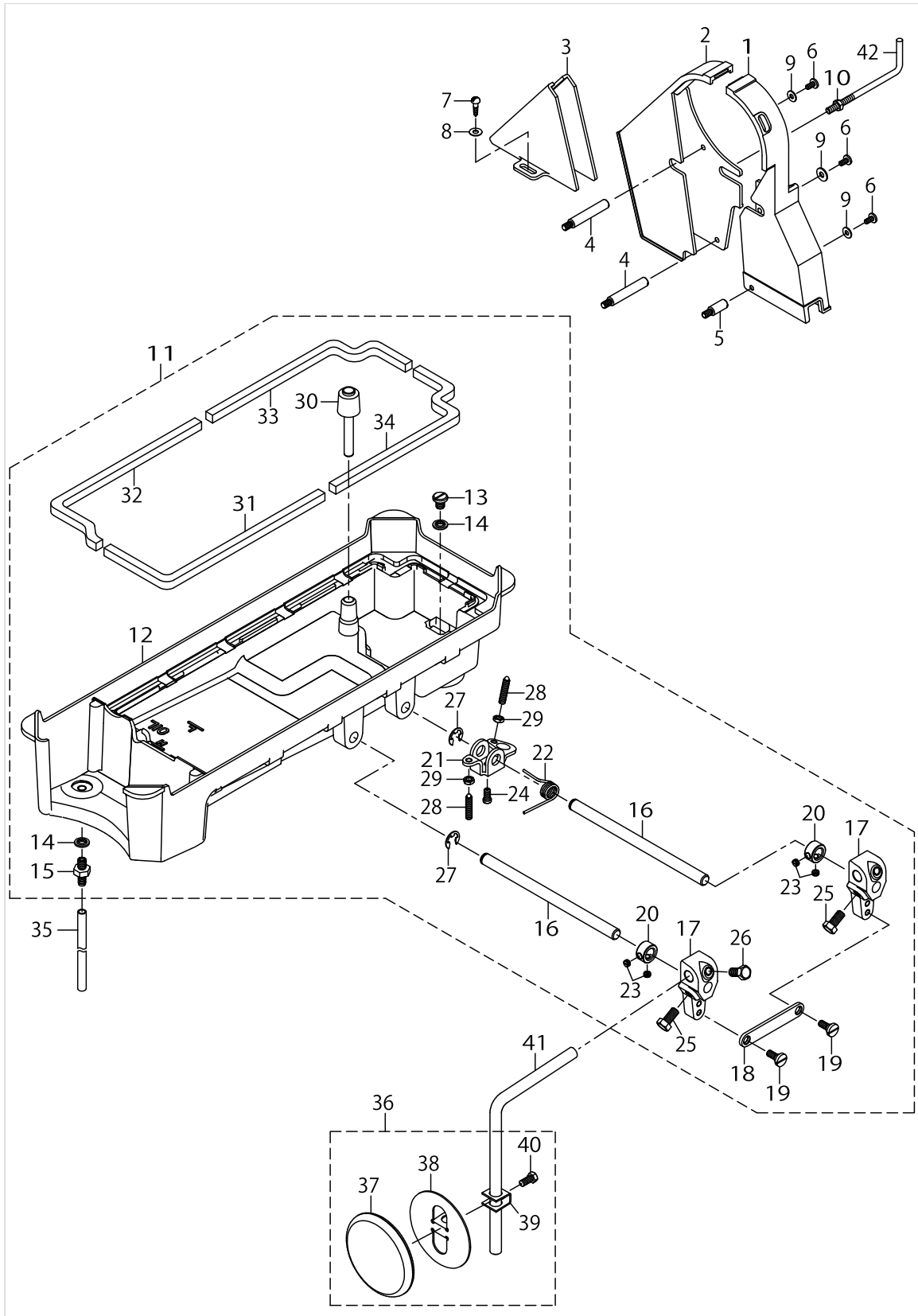
OIL LUBRICATION MECHANISM COMPONENTS



OIL LUBRICATION MECHANISM COMPONENTS

No.	Parts No.	Parts name	Remarks	Level	Cons	Qty
1	40148907	ROTARY PUMP ASM.				1
2	40148908	ROTARY PUMP COM.		*		1
3	40148909	HOUSING		*		1
4	40148910	BUSHING		*		1
5	40148911	CASING		*		1
6	40148912	SPRING PIN 3.0X10		*		1
7	40148913	ROTOR		*		1
8	40148914	SLIDING BLOCK		*		1
9	40148915	HOUSING PLATE		*		1
10	40148916	OIL ADJUSTING PLATE		*		1
11	40148917	FILTER SCREEN PLATE COM.		*		1
12	40148918	SCREW 1/8-44 L=12		*		1
13	40148918	SCREW 1/8-44 L=12		*		2
14	40148609	SPRING LOCK WASHERS 3.6		*		1
15	40148921	OIL PIPE ASM.				1
16	40148922	OIL PIPE ASM.				1
17	40148923	PLUNGER				1
18	40148924	SPRING				1
19	40148925	PLUNGER THRUST PLATE				1
20	40148926	CONNECTING SCREW				1
21	40148927	OIL TUBE HOLDER				1
22	40148928	GASKET				1
23	40148929	OIL ADJUSTING SCREW				1
24	40148930	SPRING				1
25	40148867	SCREW 11/64-40 L=13				3
26	40148731	SCREW 15/64-28 L=9				1
27	40148933	FELT ASM.				1
28	40148934	FELT HOLDER				1
29	40148935	OIL WICK				1
30	40148936	OIL WICK				1
31	40148937	FELT				1
32	40148938	OIL ADJUSTING PIN				1
33	40148939	OIL ADJUSTING RUBBER				1
34	40148940	O-RINGS 4				1
35	40148941	SCREW				1
36	40148942	FILTER				1
37	40148620	NYLON CABLE TIE				1
38	40148944	PIN				1
39	40148945	HOSE CONNECTOR				1
40	40148946	BALL				1
41	40148947	CHECK VALVE				1
42	40148948	OIL TUBE				1
43	40148949	FELT				1

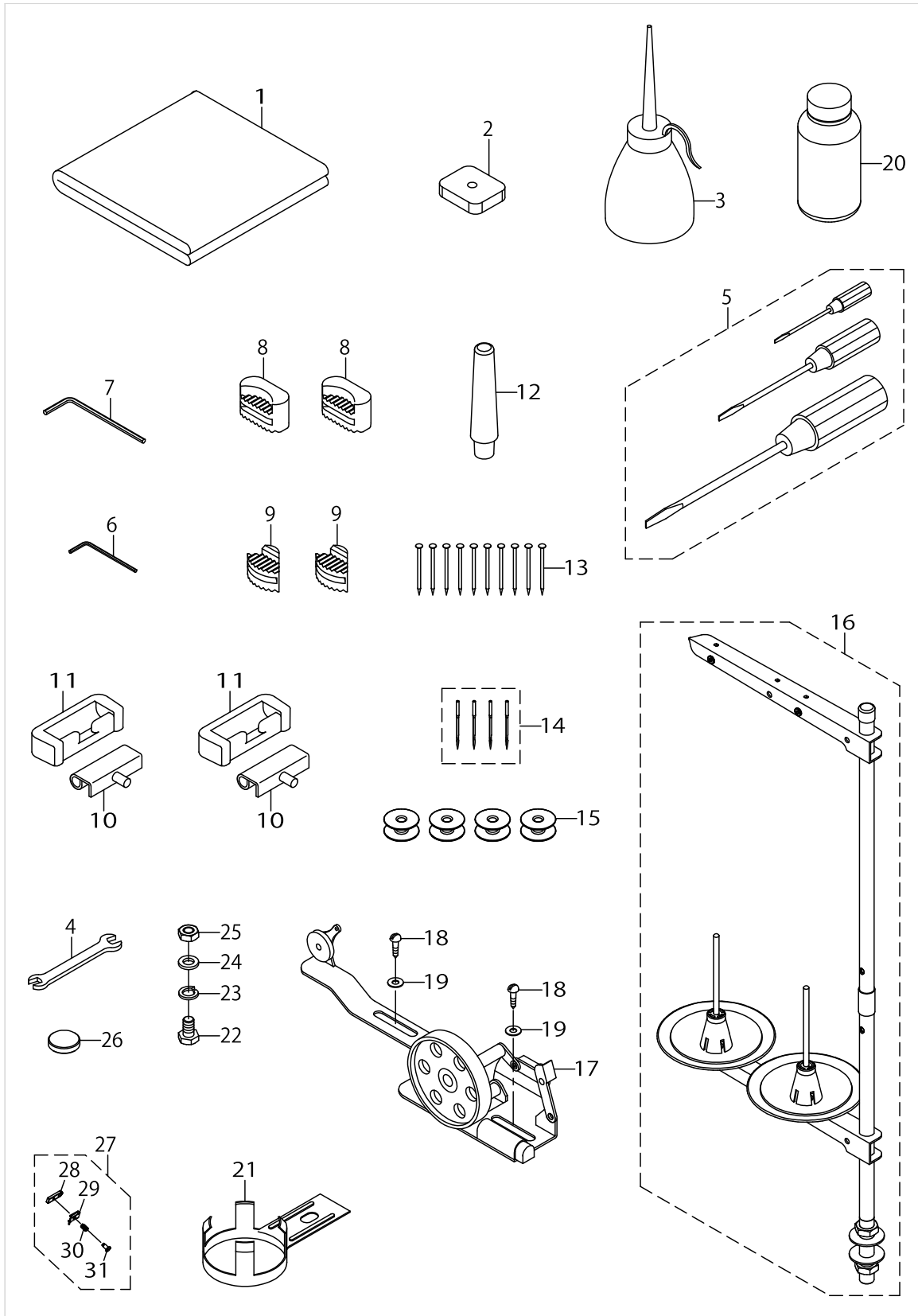
ACCESSORIES COMPONENTS (1)



ACCESSORIES COMPONENTS (1)

No.	Parts No.	Parts name	Remarks	Level	Cons	Qty
1	40148985	BELT COVER A				1
2	40148986	BELT COVER B				1
3	40148987	BELT COVER C				1
4	40148988	BELT COVER STUD				2
5	40148989	BELT COVER STUD				1
6	40148990	SCREW 11/64-40 L=9				4
7	40148967	WOOD SCREW D=4.5 L=18				2
8	40148968	WASHER 12X0.7 D=5.2				2
9	40148968	WASHER 12X0.7 D=5.2				4
10	40148876	NUT 15/64-28				1
11	40148995	OIL PAN ASM				1
12	40148996	OIL PAN		*		1
13	40148997	SCREW		*		1
14	40148998	SPACER		*		2
15	40148999	CONNECTING SCREW		*		1
16	40149000	KNEE LIFTER SHAFT		*		2
17	40149001	KNEE LIFTER CRANK		*		2
18	40149002	KNEE LIFTER LINK		*		1
19	40149003	HINGE SCREW 15/64-28 D=8 L=3.5		*		2
20	40149004	THRUST COLLAR		*		2
21	40149005	ROTATING LEVER		*		1
22	40149006	SPRING		*		1
23	40148874	SCREW 1/4-40 L=3.5		*		4
24	40149008	SCREW 15/64-28 L=17		*		1
25	40149009	SCREW 5/16-18		*		2
26	40149009	SCREW 5/16-18		*		1
27	40149011	RETAINING RINGS-E TYPE 5		*		2
28	40149012	SCREW 15/64-28 L=28		*		2
29	40148611	NUT 15/64-28		*		2
30	40149014	KNEE PRESS LIFTER ROD ASM.		*		1
31	40149021	PACKING		*		1
32	40149022	PACKING		*		1
33	40149023	PACKING		*		1
34	40149024	PACKING		*		1
35	40149015	OIL TUBE				1
36	40149026	KNEE GUARD				1
37	40149017	KNEE GUARD		*		1
38	40149018	KNEE PLATE		*		1
39	40149019	RETAINER		*		1
40	40149020	SCREW 15/64-28		*		1
41	40149016	KNEE LEVER ROD				1
42	40149027	SYNCHRONIZER HOLDER STUD				1

ACCESSORIES COMPONENTS (2)



ACCESSORIES COMPONENTS (2)

No.	Parts No.	Parts name	Remarks	Level	Cons	Qty
1	40148950	COVER				1
2	40148979	FELT				1
3	40148952	OILER				1
4	40148976	WRENCH 9X10				1
5	40148954	SCREW DRIVER (SET)				1
6	40148956	HEXAGONAL WRENCH KEY (2MM)				1
7	40148978	HEXAGONAL WRENCH KEY (3MM)				1
8	40148957	VIBRATION PREVENTING RUBBER				2
9	40148958	VIBRATION PREVENTING RUBBER				2
10	40148959	HEAD HINGE				2
11	40148960	RUBBER HINGE				2
12	40148961	HEAD REST WOOD				1
13	40148962	NAIL				10
14	40148539	NEEDLE DP X 17-22				1
15	40148809	BOBBIN				4
16	40148965	THREAD STAND				1
17	40148966	BOBBIN WINDER				1
18	40148967	WOOD SCREW L=18				2
19	40148968	WASHER 12X0.7 D=5.2				2
20	40148969	OILER				1
21	40148970	OILER BRACKET				1
22	40148971	SCREW M6X1.0 L=12				1
23	40148391	SPRING LOCK WASHERS				1
24	40148973	WASHER 13X1 D=6.5				1
25	40148974	NUT M6X1.0				1
26	40148975	MAGNET				1
27	40148980	THREAD GUIDE ASM.				1
28	40148401	THREAD GUIDE		*		1
29	40148402	THREAD GUIDE PRESSURE PLATE		*		1
30	40148983	SPRING		*		1
31	40148404	HINGE SCREW		*		1

HOW TO MAKE USE OF THIS PARTS LIST

1.As to "#01" and "#02" refer to the "Note" given at the bottom of the respective pages.

2.Codes on the "Qty" column

- Each numeral indicates the number of parts required.
- "0.1" and "2.5" indicate the length (in meters) of the respective parts.

3.Parentheses mean that the corresponding part is a subpart that constructs an assembly part.

4.Dotted lines on the Figures indicate assembly parts.

1. リストページの# 0 1、# 0 2の印は、ページ下の"注記"の説明を参照下さい。
2. 数量欄の数字は、個数を表し、0. 1、2. 5等の数値は、長さ（単位メートル）を表します。
3. 数量欄の（ ）は、組部品を構成している子部品であることを意味します。
4. イラストページの-----枠は、組構成であることを意味します。

NUMERICAL INDEX OF PARTS

PART NO	PAGE	REF NO.	PART NO	PAGE	REF NO.	PART NO	PAGE	REF NO.
40148388	2	1	40148452	2	42	40148492	6	20
40148389	2	2	40148453	2	43	40148495	6	23
40148390	2	3	40148455	2	45	40148496	6	24
40148391	2	4	40148457	2	87	40148497	6	25
40148391	32	23	40148457	4	87	40148498	6	26
40148392	2	5	40148457	20	78	40148499	6	27
40148393	2	6	40148458	4	48	40148500	6	28
40148394	2	7	40148459	4	49	40148500	12	54
40148395	2	8	40148460	4	50	40148501	6	30
40148396	2	9	40148461	4	52	40148501	22	13
40148397	2	10	40148463	4	53	40148503	6	31
40148398	2	11	40148464	4	55	40148505	6	33
40148399	2	12	40148466	4	56	40148506	6	34
40148401	32	28	40148467	4	57	40148507	6	35
40148402	32	29	40148468	4	58	40148508	6	36
40148404	32	31	40148468	12	66	40148509	6	37
40148405	2	18	40148469	4	59	40148511	6	39
40148406	2	19	40148470	4	60	40148512	6	38
40148407	2	20	40148471	4	61	40148521	8	25
40148408	2	21	40148472	4	62	40148521	20	69
40148409	2	22	40148473	6	1	40148521	24	50
40148410	2	23	40148474	6	2	40148521	26	50
40148412	2	25	40148475	6	3	40148522	4	88
40148413	2	26	40148476	6	4	40148523	4	89
40148414	2	44	40148477	6	5	40148524	4	90
40148415	2	28	40148478	6	6	40148525	12	90
40148416	2	46	40148479	6	7	40148528	8	1
40148417	2	32	40148480	6	8	40148529	8	2
40148418	2	31	40148481	6	9	40148530	8	3
40148418	16	20	40148482	6	10	40148531	8	4
40148420	2	33	40148483	6	11	40148532	8	5
40148421	2	34	40148484	6	12	40148533	8	6
40148422	2	35	40148485	6	13	40148534	8	7
40148423	2	36	40148486	6	14	40148535	8	8
40148424	2	37	40148486	14	16	40148536	8	9
40148425	2	38	40148487	6	15	40148537	8	10
40148426	2	39	40148488	6	16	40148538	8	11
40148427	2	40	40148489	6	22	40148539	8	12
40148428	2	24	40148490	6	21	40148539	32	14
40148429	2	17	40148490	10	88	40148540	8	13
40148430	2	16	40148490	12	88	40148542	8	15
40148431	2	15	40148490	16	31	40148543	8	16
40148432	2	14	40148490	18	10	40148544	8	17
40148433	2	13	40148491	6	32	40148545	8	18
40148451	2	41	40148491	26	59	40148546	8	19

NUMERICAL INDEX OF PARTS

PART NO	PAGE	REF NO.	PART NO	PAGE	REF NO.	PART NO	PAGE	REF NO.
40148547	8	20	40148587	10	35	40148633	16	15
40148547	16	29	40148588	10	36	40148635	12	82
40148547	20	56	40148589	10	37	40148636	12	83
40148547	22	16	40148590	10	38	40148637	12	84
40148548	8	21	40148591	10	39	40148638	12	85
40148549	8	22	40148592	10	40	40148639	12	86
40148550	8	23	40148593	10	41	40148642	12	89
40148551	8	24	40148594	10	42	40148643	14	1
40148553	10	1	40148595	10	43	40148644	14	2
40148554	10	2	40148596	10	44	40148645	14	3
40148555	10	3	40148597	10	45	40148646	14	4
40148556	10	4	40148598	10	46	40148647	14	5
40148557	10	5	40148599	10	47	40148648	14	6
40148558	10	6	40148600	12	48	40148649	14	7
40148559	10	7	40148601	12	49	40148650	14	8
40148560	10	8	40148602	12	55	40148651	14	9
40148561	10	9	40148602	14	17	40148652	14	10
40148562	10	10	40148603	12	51	40148653	14	11
40148563	10	11	40148605	12	53	40148654	14	12
40148564	10	12	40148608	12	56	40148655	14	13
40148565	10	13	40148609	12	57	40148656	14	14
40148566	10	14	40148609	28	14	40148657	14	15
40148566	16	2	40148610	12	58	40148660	14	34
40148566	18	42	40148611	12	59	40148661	14	20
40148567	10	87	40148611	30	29	40148664	14	22
40148567	12	87	40148612	12	63	40148665	14	23
40148567	16	27	40148612	14	21	40148666	14	24
40148568	10	16	40148613	12	62	40148667	14	25
40148569	10	17	40148613	16	35	40148668	14	26
40148570	10	79	40148613	20	77	40148669	14	27
40148570	12	79	40148616	12	64	40148670	14	28
40148572	10	20	40148617	12	65	40148671	14	29
40148573	10	22	40148619	12	67	40148672	14	30
40148575	10	23	40148620	28	37	40148673	14	31
40148575	16	19	40148621	12	68	40148674	14	32
40148576	10	52	40148622	12	69	40148675	14	33
40148576	12	52	40148623	12	70	40148677	14	35
40148579	10	27	40148624	12	71	40148678	14	36
40148580	10	28	40148625	12	72	40148679	14	37
40148581	10	29	40148626	12	73	40148680	16	1
40148582	10	30	40148627	12	74	40148682	16	3
40148583	10	31	40148628	12	75	40148684	16	5
40148584	10	32	40148629	12	76	40148685	16	6
40148585	10	33	40148630	12	77	40148686	16	7
40148586	10	34	40148633	12	81	40148687	16	8

NUMERICAL INDEX OF PARTS

PART NO	PAGE	REF NO.	PART NO	PAGE	REF NO.	PART NO	PAGE	REF NO.
40148688	16	9	40148744	18	30	40148791	24	8
40148689	16	10	40148745	18	31	40148794	20	79
40148690	16	11	40148746	18	32	40148794	24	17
40148691	16	12	40148747	18	33	40148795	20	80
40148692	16	13	40148748	18	34	40148796	20	81
40148693	16	14	40148749	18	35	40148797	20	82
40148696	16	33	40148750	18	36	40148798	20	83
40148697	16	32	40148751	18	37	40148799	22	1
40148701	16	22	40148752	18	38	40148800	22	2
40148702	16	23	40148753	18	39	40148801	22	3
40148703	16	24	40148754	18	40	40148802	22	4
40148704	16	25	40148755	18	2	40148803	22	5
40148705	16	26	40148756	18	3	40148804	22	6
40148707	16	28	40148757	18	43	40148805	22	7
40148709	16	30	40148758	18	44	40148806	22	8
40148713	16	34	40148759	18	45	40148807	22	9
40148715	18	1	40148760	18	46	40148808	22	10
40148716	18	41	40148761	18	47	40148809	22	11
40148718	18	4	40148762	20	48	40148809	32	15
40148719	18	5	40148763	20	49	40148810	22	12
40148720	18	6	40148764	20	50	40148812	22	14
40148721	18	7	40148765	20	51	40148815	24	1
40148722	18	8	40148766	20	52	40148816	24	2
40148723	18	9	40148767	20	53	40148817	24	3
40148725	18	11	40148768	20	54	40148818	24	4
40148726	18	12	40148769	20	55	40148819	24	5
40148727	18	13	40148771	20	57	40148820	24	6
40148728	18	14	40148772	20	58	40148821	24	7
40148729	18	15	40148772	22	15	40148823	4	86
40148730	18	16	40148773	20	59	40148823	24	9
40148731	18	17	40148774	20	60	40148824	24	10
40148731	28	26	40148776	20	61	40148826	24	12
40148732	18	18	40148777	20	62	40148827	24	57
40148733	18	19	40148778	20	63	40148827	26	57
40148734	18	20	40148780	20	65	40148829	24	15
40148735	18	21	40148781	20	66	40148830	24	16
40148736	18	22	40148782	20	67	40148833	24	19
40148737	18	23	40148783	20	68	40148834	24	20
40148738	18	24	40148785	20	70	40148835	24	21
40148739	18	25	40148786	20	71	40148836	24	22
40148740	18	26	40148787	20	72	40148837	24	23
40148741	18	27	40148788	20	73	40148838	24	24
40148742	18	28	40148789	20	74	40148839	24	25
40148742	24	11	40148790	20	75	40148840	24	26
40148743	18	29	40148791	20	76	40148841	24	27

NUMERICAL INDEX OF PARTS

PART NO	PAGE	REF NO.	PART NO	PAGE	REF NO.	PART NO	PAGE	REF NO.
40148842	24	69	40148888	4	65	40148937	28	31
40148842	26	69	40148889	4	66	40148938	28	32
40148843	24	29	40148890	4	67	40148939	28	33
40148844	24	30	40148891	4	68	40148940	28	34
40148845	24	31	40148892	4	69	40148941	28	35
40148846	24	32	40148893	4	70	40148942	28	36
40148847	24	33	40148894	4	71	40148944	28	38
40148848	24	34	40148895	4	72	40148945	28	39
40148849	24	35	40148896	4	73	40148946	28	40
40148850	24	36	40148897	4	74	40148947	28	41
40148851	24	37	40148898	4	75	40148948	28	42
40148852	24	38	40148899	4	76	40148949	28	43
40148853	24	39	40148900	4	77	40148950	32	1
40148854	24	40	40148901	4	78	40148952	32	3
40148855	24	41	40148902	4	79	40148954	32	5
40148856	24	42	40148903	4	80	40148956	32	6
40148857	24	43	40148904	4	81	40148957	32	8
40148858	24	44	40148905	4	82	40148958	32	9
40148859	24	45	40148906	4	83	40148959	32	10
40148860	24	46	40148907	28	1	40148960	32	11
40148861	24	47	40148908	28	2	40148961	32	12
40148862	26	48	40148909	28	3	40148962	32	13
40148863	26	49	40148910	28	4	40148965	32	16
40148865	26	51	40148911	28	5	40148966	32	17
40148866	26	52	40148912	28	6	40148967	30	7
40148867	26	53	40148913	28	7	40148967	32	18
40148867	28	25	40148914	28	8	40148968	30	9
40148868	26	54	40148915	28	9	40148968	32	19
40148869	26	55	40148916	28	10	40148969	32	20
40148870	26	56	40148917	28	11	40148970	32	21
40148872	26	58	40148918	28	13	40148971	32	22
40148874	26	60	40148921	28	15	40148973	32	24
40148874	30	23	40148922	28	16	40148974	32	25
40148875	26	61	40148923	28	17	40148975	32	26
40148876	26	62	40148924	28	18	40148976	32	4
40148876	30	10	40148925	28	19	40148978	32	7
40148877	26	63	40148926	28	20	40148979	32	2
40148878	26	64	40148927	28	21	40148980	32	27
40148879	26	65	40148928	28	22	40148983	32	30
40148880	26	66	40148929	28	23	40148985	30	1
40148881	26	67	40148930	28	24	40148986	30	2
40148882	26	68	40148933	28	27	40148987	30	3
40148884	26	70	40148934	28	28	40148988	4	84
40148886	4	63	40148935	28	29	40148988	30	4
40148887	4	64	40148936	28	30	40148989	30	5

NUMERICAL INDEX OF PARTS

PART NO	PAGE	REF NO.
40148990	30	6
40148994	4	85
40148995	30	11
40148996	30	12
40148997	30	13
40148998	30	14
40148999	30	15
40149000	30	16
40149001	30	17
40149002	30	18
40149003	30	19
40149004	30	20
40149005	30	21
40149006	30	22
40149008	30	24
40149009	30	26
40149011	30	27
40149012	30	28
40149014	30	30
40149015	30	35
40149016	30	41
40149017	30	37
40149018	30	38
40149019	30	39
40149020	30	40
40149021	30	31
40149022	30	32
40149023	30	33
40149024	30	34
40149026	30	36
40149027	30	42