

MODEL : LK-1900B Series

List No : 1653-04

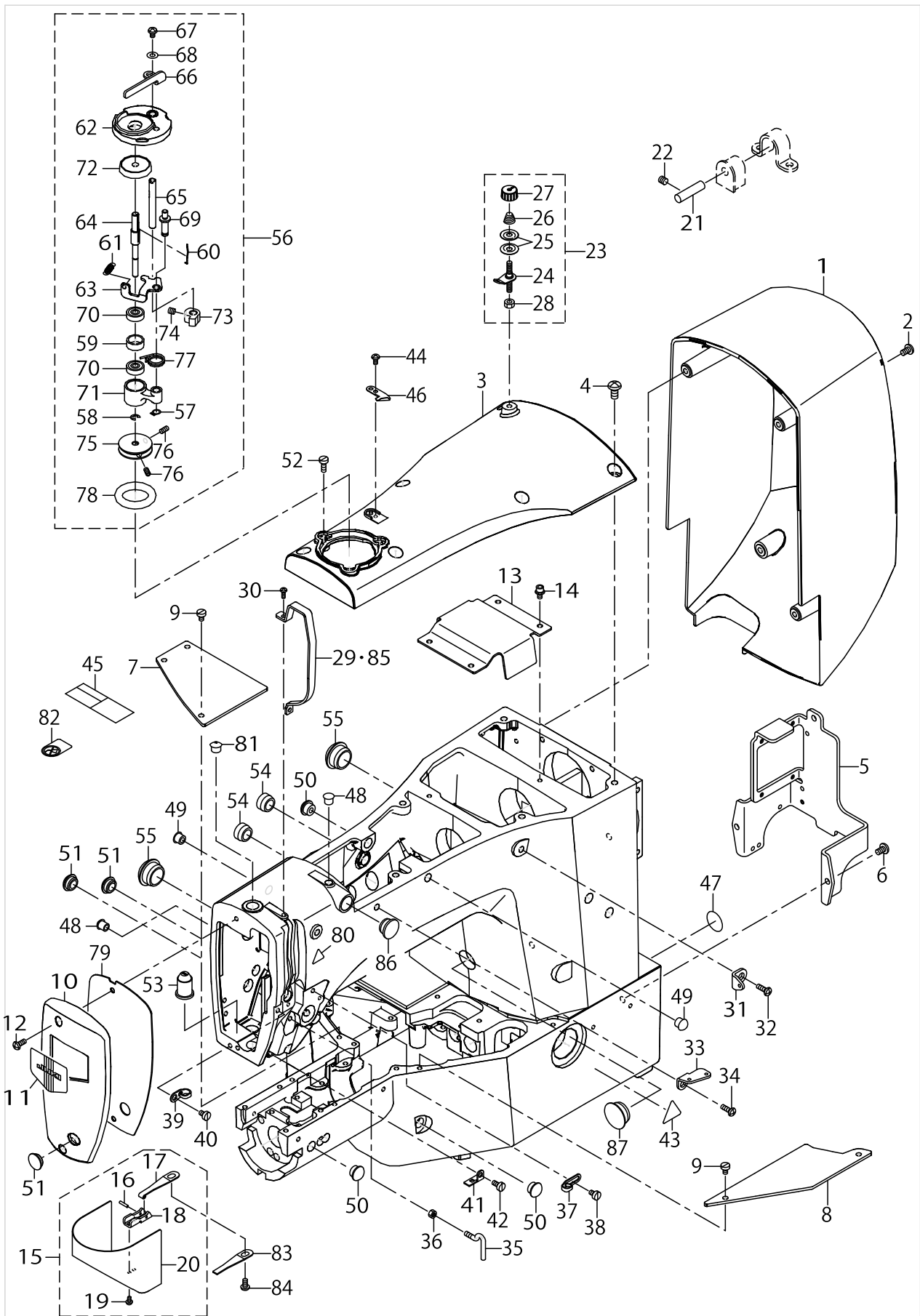
PARTS LIST

Published:09/10/2017

CONTENTS

FRAME & MISCELLANEOUS COVER COMPONENTS	1
MAIN SHAFT & NEEDLE BAR COMPONENTS	5
PRESSER LIFTER & WIPER COMPONENTS	9
SHUTTLE DRIVER SHAFT COMPONENTS.....	13
THREAD TENSION COMPONENTS	17
THREAD TRIMMER MECHANISM COMPONENTS.....	19
FEED MECHANISM COMPONENTS.....	21
TC CLAMP COMPONENTS.....	25
SENSOR COMPONENTS.....	27
THREAD STAND COMPONENTS.....	29
TABLE STAND COMPONENTS (JT-K46).....	31
CONTROL BOX COMPONENTS	33
OPERATION PANEL COMPONENTS.....	37
WIRING DIAGRAM.....	39
ACCESSORIE PARTS COMPONENTS.....	41
EXCLUSIVE PARTS FOR LK-1901BS (1).....	43
EXCLUSIVE PARTS FOR LK-1901BS (2).....	47
EXCLUSIVE PARTS FOR LK-1902BS,LK-1902BH.....	49
EXCLUSIVE PARTS FOR LK-1903BS-301,LK-1903BS-302(1).....	53
EXCLUSIVE PARTS FOR LK-1903BS-301,LK-1903BS-302(2).....	57
EXCLUSIVE PARTS FOR LK-1903B-BS-301,LK-1900B-BS,LK-1900B-BF(1).....	61
EXCLUSIVE PARTS FOR LK-1903B-BS-301,LK-1900B-BS,LK-1900B-BF(2).....	65
EXCLUSIVE PARTS FOR LK-1903B-BS-301,LK-1900B-BS,LK-1900B-BF(3).....	69
EXCLUSIVE PARTS FOR LK-1903B-BS-301,LK-1900B-BS,LK-1900B-BF(4).....	73
AIR COMPONENTS	75
ACCESSORIE PARTS FOR LK-1900B SUBCLASSES.....	77
OPTION COMPONENTS (1).....	81
OPTION COMPONENTS (2) (FOR LK-1902B,LK-1903B).....	87
OPTION COMPONENTS (3) (FOR LK-1903B SHANK BUTTON).....	89
LIST FOR INFORMATION OF CHANGE (1).....	93
LIST FOR INFORMATION OF CHANGE (2).....	94
HOW TO MAKE USE OF THIS PARTS LIST	95

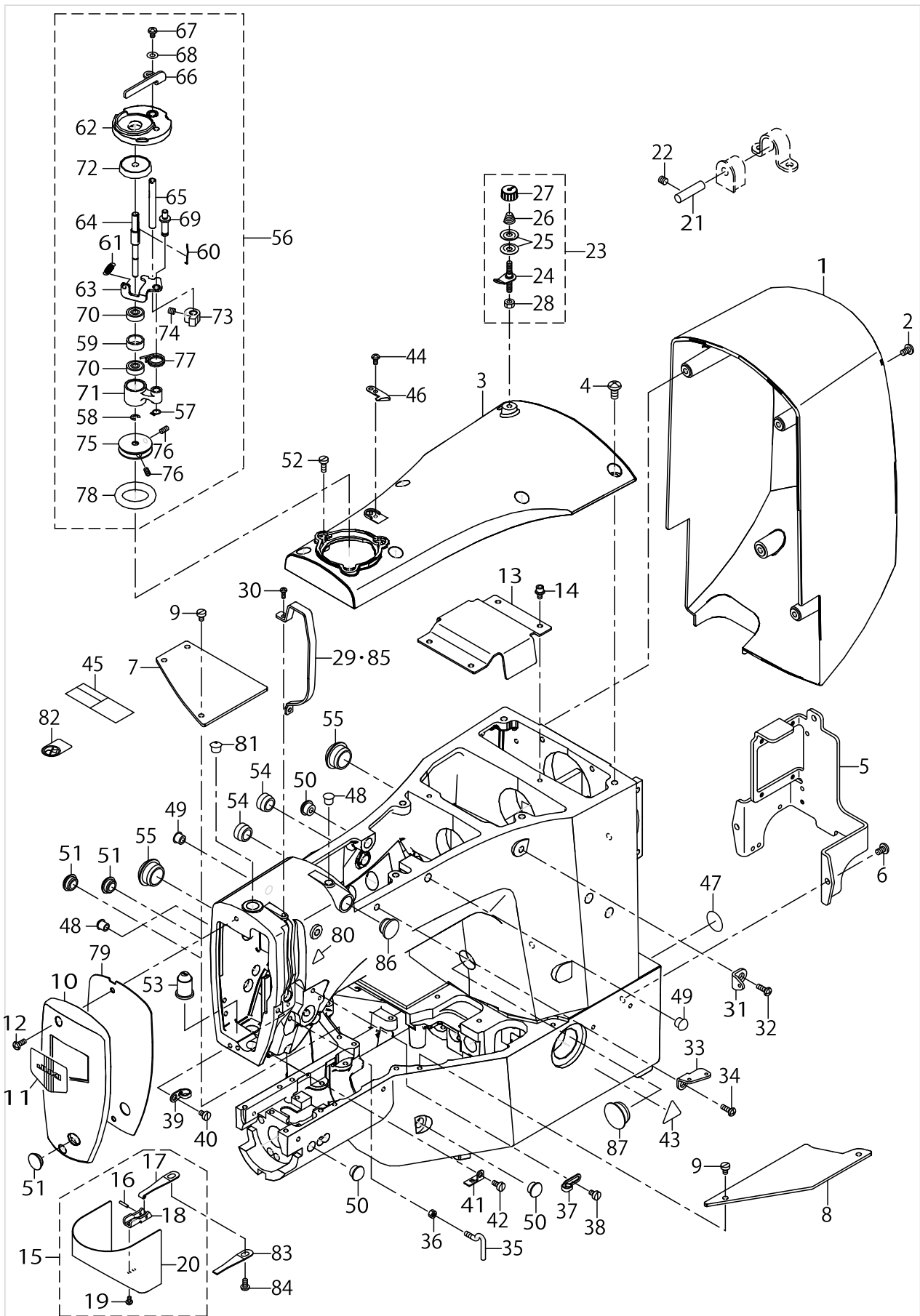
FRAME & MISCELLANEOUS COVER COMPONENTS



FRAME & MISCELLANEOUS COVER COMPONENTS

No.	Parts No.	Parts name	Remarks	Level	Cons	Qty
1	40006475	MOTOR COVER				1
2	SM5040855SN	SCREW				4
3	40006478	UPSIDE COVER				1
4	SM4061255SP	SCREW M6 L=12				6
5	40010404	PROTECTION_PLATE				1
6	SM4050855SP	SCREW				3
7	40006487	BED COVER LEFT				1
8	40006488	BED COVER RIGHT				1
9	SM6040650TP	SCREW M4 L=6				5
10	40006481	FACE COVER				1
11	22902506	FACE PLATE				1
12	SM4041055SP	SCREW				2
13	40010405	CRANK_ROD_COVER				1
14	SL6040892TN	BOLT				2
15	40142674	CYLINDER_ARM_CAP_ASM.				1
16	13508700	HOOK COVER PRESSER SPRING PIN		*		1
17	26221101	HOOK COVER PRESSER SPRING A		*		1
18	40142677	CYLINDER ARM CAP PLATE		*		1
19	SM3030552TN	SCREW M3 L=5		*		2
20	40142675	CYLINDER ARM CAP		*		1
21	40009290	HINGE STUD				2
22	SM8060612TP	SCREW M6 L=6				4
23	14113468	BOBBIN THREAD TENSION ASM.				1
24	14113450	BOBBIN THREAD TENSION ROD ASM.		*		1
25	B3126012000	THREAD TENSION DISK		*		2
26	D7133555B00	CONNECTING ROD SPRING		*		1
27	11072402	THREAD TENSION NUT		*		1
28	NS6110310SP	NUT 11/64-40		*		1
29	40030828	THREAD_TAKE_UP_LEVER_COVER	EXCEPT LK-1903B			1
30	SM4030855SN	SCREW M3 L=8.0				2
31	40010414	THREAD_GUIDE_NO.1				1
32	SM4061255SP	SCREW M6 L=12				1
33	26211904	THREAD GUIDE PLATE				1
34	SM4061255SP	SCREW M6 L=12				1
35	40010571	L_SHAPED_THREAD_GUIDE_A				1
36	NM6040000SN	NUT M4				1
37	22920508	ARM THREAD GUIDE A				1
38	SM6040650TP	SCREW M4 L=6				1
39	13705108	TAKE-UP THREAD GUIDE B				1
40	SM6040650TP	SCREW				1
41	B1129210000	FRAME THREAD GUIDE (B)				1
42	SM6040860TP	SCREW M4 L=8				1
43	CM300200002	CAUTION LABEL(25)				1
44	SM4030601SN	SCREW M3 L=6				1
45	40102261	SAFETY_LABEL_S				1
46	10502300	THREAD CUTTER				1
47	22901805	GROUND MARK				1

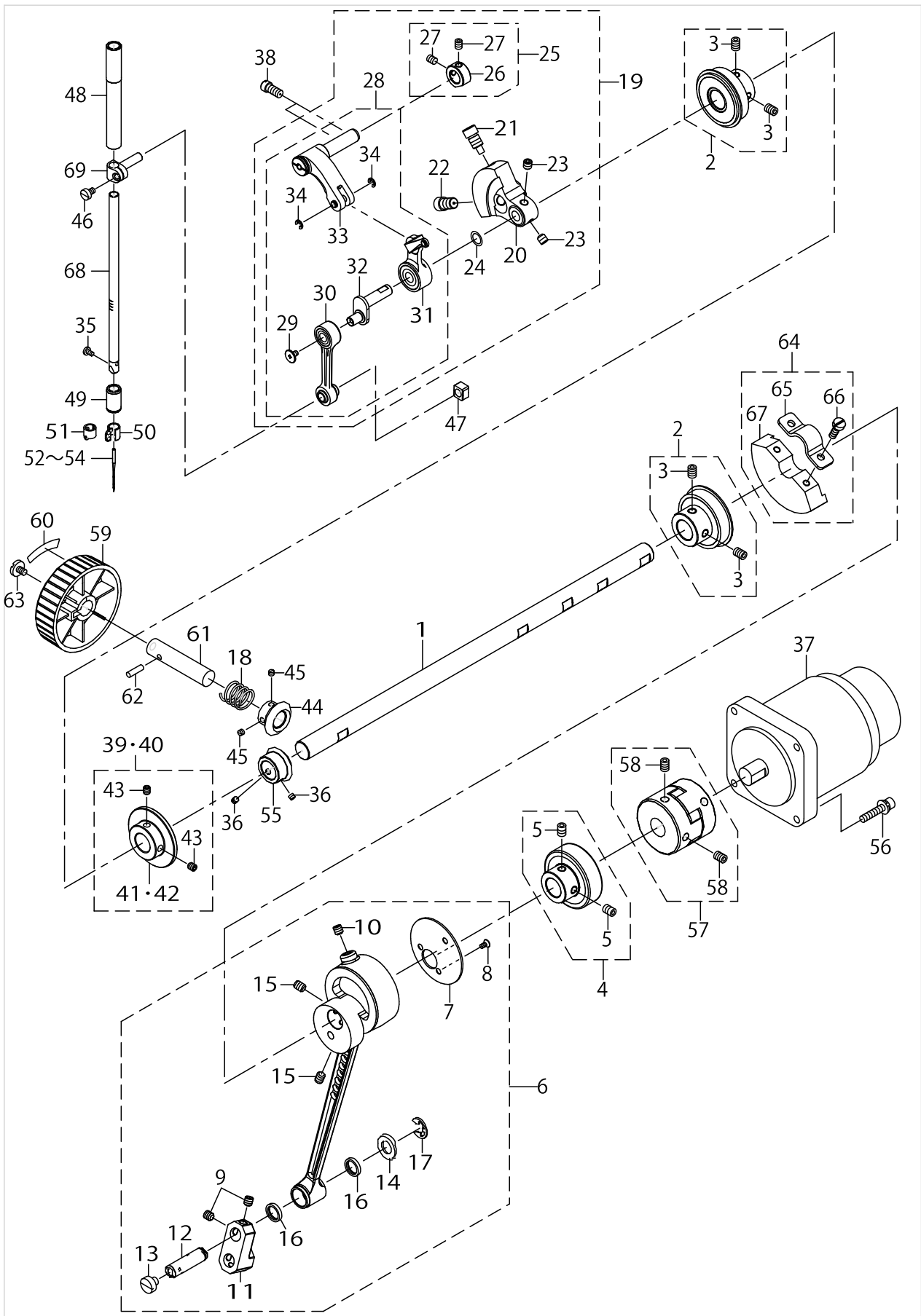
FRAME & MISCELLANEOUS COVER COMPONENTS



FRAME & MISCELLANEOUS COVER COMPONENTS

No.	Parts No.	Parts name	Remarks	Level	Cons	Qty
48	TA0750704R0	RUBBER PLUG				2
49	TA0850604R0	RUBBER PLUG				2
50	TA1050504R0	RUBBER PLUG				3
51	TA1250406R0	RUBBER PLUG D=12.5 L=4				3
52	SM6041150TP	SCREW M4 L=11				3
53	13509807	OIL SHIELD CAP				1
54	TA1550902R0	PLUG				2
55	TA2100904R0	RUBBER PLUG				2
56	40142740	BOBBIN_WINDER_UNIT				1
57	RC0560711KP	RETAINING RING		*		1
58	RE0400000K0	E-RING 4		*		1
59	26260802	BTW BEARING SPACER		*		1
60	26261602	BOBBIN SPRING		*		1
61	26261701	BTW SPRING		*		1
62	26260109	BTW BASE		*		1
63	26260208	BTW CAM PLATE		*		1
64	26260901	BTW SHAFT		*		1
65	26261008	BTW LEVER SHAFT		*		1
66	26261107	BTW LEVER		*		1
67	SM5040655SN	SCREW		*		1
68	WP0450826SC	WASHER 4.5X10X0.8		*		1
69	26260307	BTW BASE SHAFT		*		1
70	26261305	BTW BEARING		*		2
71	40142773	BTW_SHAFT_BASE		*		1
72	26261206	BTW SPACER		*		1
73	26260505	BTW CAM LEVER		*		1
74	SM8050502TP	SCREW M5 L=5		*		1
75	26260604	BTW WHEEL		*		1
76	SM8040802TP	SCREW M4X8		*		2
77	26260703	BTW TORSION SPRING		*		1
78	26261503	BTW WHEEL RUBBER		*	☆	1
79	40142812	FACE_COVER_CUSHION				1
80	CM300200001	ATTENTION SEAL				1
81	22901409	NEEDLE BAR UPPER BUSH CAP				1
82	CM100100001	OIL INJECTION PROHIBITION LABEL				1
83	26221200	HOOK COVER PRESSER SPRING B			☆	1
84	SM5040855SN	SCREW				1
85	40144258	THREAD_TAKE_UP_LEVER_COVER	FOR LK-1903B			1
86	TA1470704R0	RUBBER PLUG				1
87	TA2100904R0	RUBBER PLUG	FOR LK-1901B,LK-1903B			1

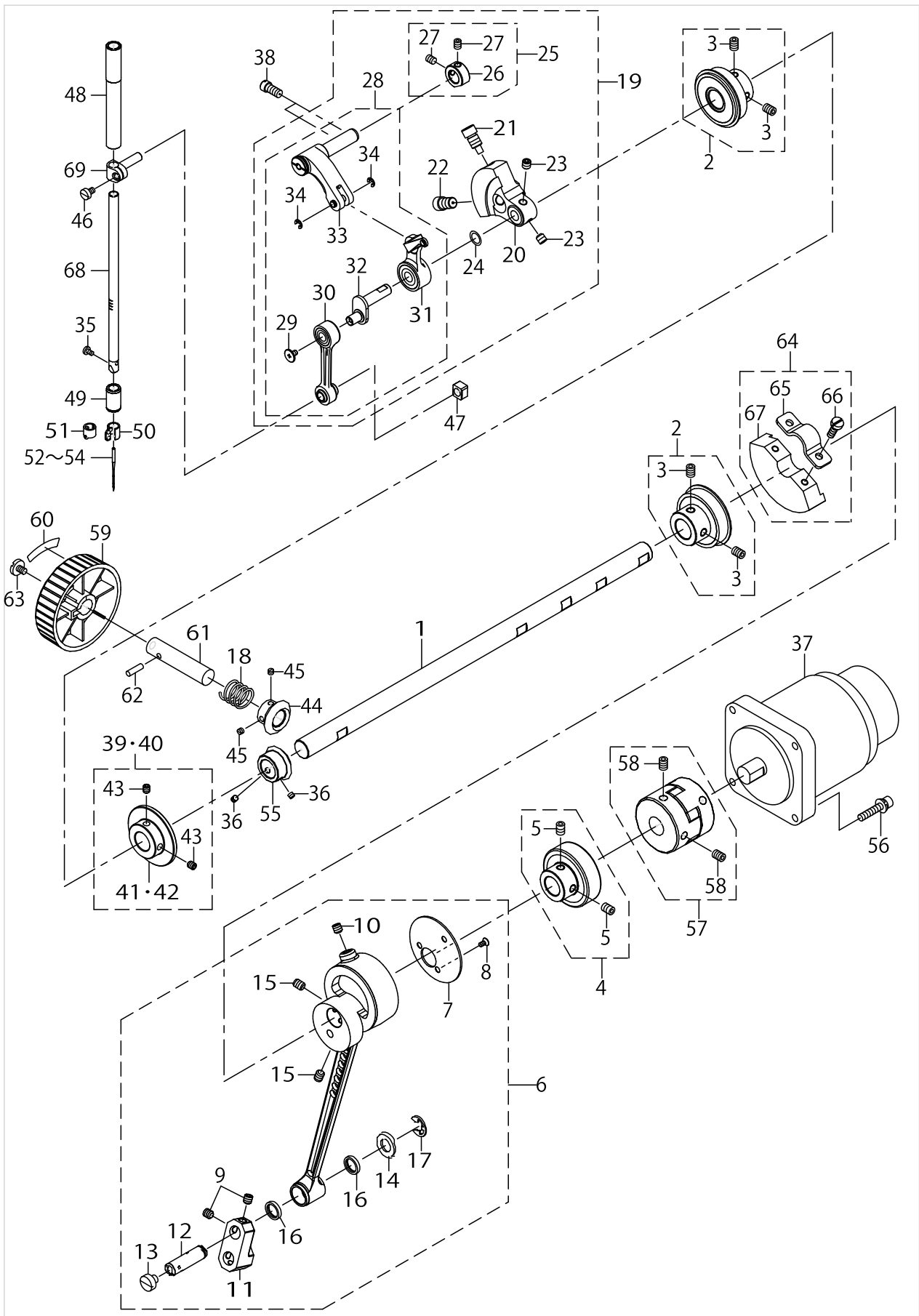
MAIN SHAFT & NEEDLE BAR COMPONENTS



MAIN SHAFT & NEEDLE BAR COMPONENTS

No.	Parts No.	Parts name	Remarks	Level	Cons	Qty
1	40142678	MAIN_SHAFT				1
2	40142685	FRONT_BEARING				2
3	40010417	BEARING_BUSH_SCREW		*		4
4	40142686	BACK_BEARING				1
5	SM8480652TP	SCREW		*		2
6	40112990	CRANK_ROD_ALL_ASM.				1
7	40110825	CRANK_ROD_SUPPORT_PLATE		*		1
8	SM1030601SP	SCREW M3 L=6		*		3
9	SM8480652TP	SCREW		*		2
10	SM8480652TP	SCREW		*		1
11	40112993	OSCILLATOR_ARM		*		1
12	40030939	OSCILLATOR_PIN		*		1
13	SM6060550TP	SCREW M6 L=4.5		*		1
14	40026818	WASHER		*		1
15	SM8060812TP	SCREW M6 L=8		*		2
16	10108009	OIL SEAL		*		2
17	RE0800000K0	E-SHAPED SNAP RING (8MM)		*		1
18	GAF01007000	SPRING				1
19	40142689	COUNTER_WEIGHT_COMPL.				1
20	40142691	COUNTER_WEIGHT		*		1
21	40010424	COUNTER_WEIGHT_SCREW_A		*		1
22	40010425	COUNTER_WEIGHT_SCREW_B		*		1
23	40010426	COUNTER_WEIGHT_SCREW_C		*		2
24	WP0820516SP	WASHER 11.6X8.2X0.6		*		1
25	40110841	THRUST_COLLAR_ASM.		*		1
26	40110842	THRUST_COLLAR		*		1
27	SM80506A2TP	SCREW M5 L=6		*		2
28	40142692	THREAD_TAKE_UP_COMPL.		*		1
29	40142701	LEFT_HAND_SCREW		*		1
30	40142697	NEEDLE_BAR_CRANK_ROD_COMPL.		*		1
31	40142693	THREAD_TAKE_UP_ASM.		*		1
32	40142696	NEEDLE_BAR_CRANK		*		1
33	40142806	TAKE_UP_CRANK_ASM.		*		1
34	RE0300000K0	E-RING 3		*		2
35	SM7030550TP	SCREW M3 L=4.5			☆	1
36	SM8040310SS	SCREW M4 L=3				2
37	40138137	IPM550W MOTOR				1
38	40010470	SHUTTLE_ASM_SCREW				2
39	40136292	BTW_DRIVING_WHEEL_ASM.	EXCEPT LK-1903B			1
40	40144697	BTW DRIVING WHEEL 03 ASM.	FOR LK-1903B			1
41	40136293	BTW_DRIVING_WHEEL	EXCEPT LK-1903B	*		1
42	40144696	BTW_DRIVING_WHEEL	FOR LK-1903B	*		1
43	SM80506A2TP	SCREW M5 L=6		*		2
44	40006516	GEAR B				1
45	SM8040310SS	SCREW M4 L=3				2
46	SS6090670TP	SCREW 9/64-40 L=6				1
47	40090058	SLIDE BLOCK				1

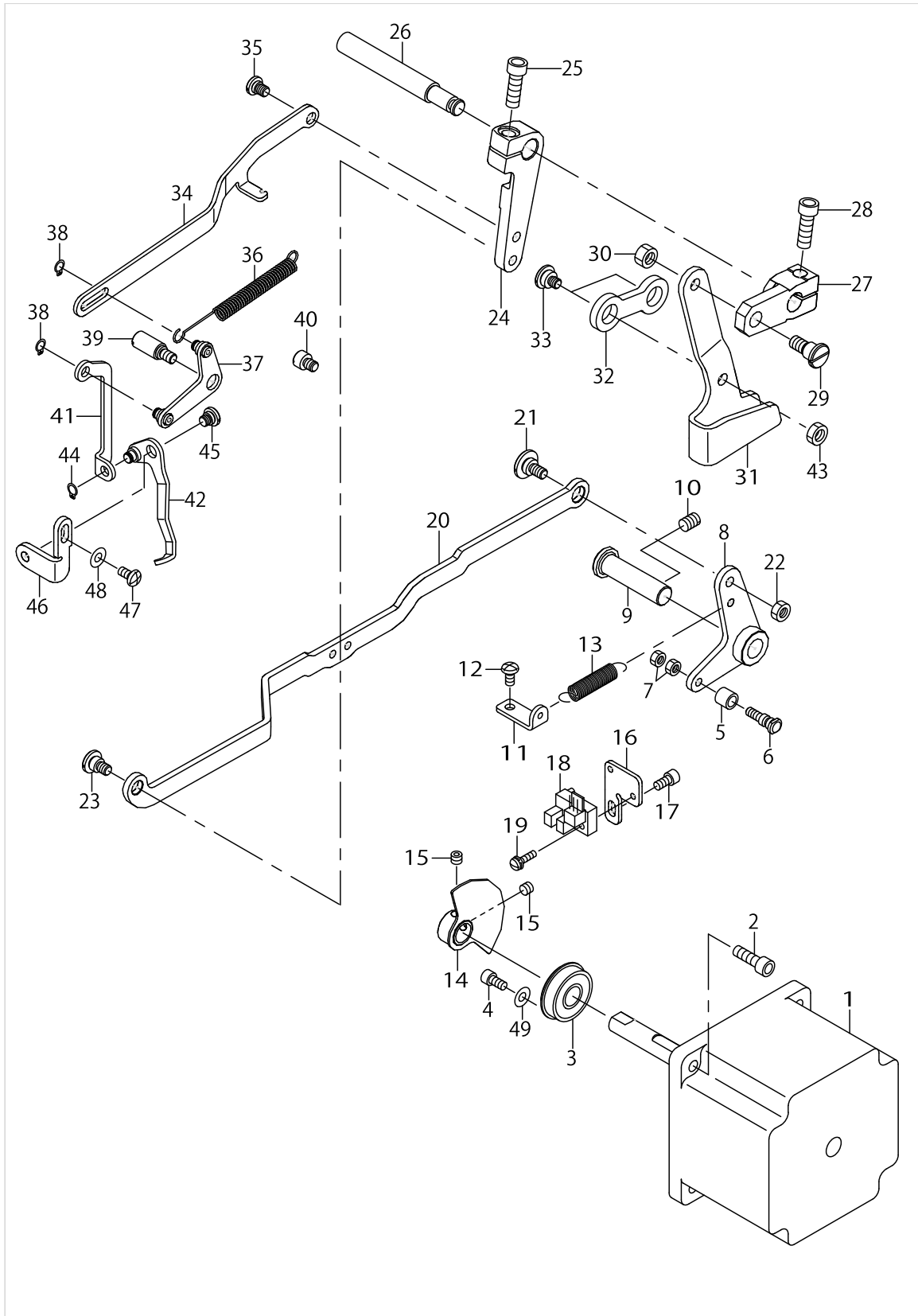
MAIN SHAFT & NEEDLE BAR COMPONENTS



MAIN SHAFT & NEEDLE BAR COMPONENTS

No.	Parts No.	Parts name	Remarks	Level	Cons	Qty
48	40142705	NEEDLE_BAR_METAL				1
49	40142706	NEEDLE_BAR_LOWER_METAL				1
50	40010574	THREAD_GUIDE	EXCEPT LK-1900BH,BW		☆	1
51	D1405L7AM00	NEEDLE BAR THREAD GUIDE	FOR LK-1900BH,BW		☆	1
52	MDP500B1100	NEEDLE DPX5 #11	FOR LK-1900BF,BM		☆	1
53	MDP500B1400	NEEDLE DPX5 #14	FOR LK-1900BS		☆	1
54	MDP170B2100	NEEDLE DPX17 #21	FOR LK-1900BH,BW		☆	1
55	40006515	GEAR A				1
56	SL6052592TN	BOLT				4
57	40142681	COUPLING ASM.				1
58	SM80608A2TP	SCREW M6 L=8		*		4
59	B1212210D00	PULLEY				1
60	B1144210000	REVOLVING DIRECTION LABEL				1
61	26500306	HAND PULLEY SHAFT				1
62	PS0400142KH	SPRING PIN 4X14				1
63	A123050000A	SET-SCREW				1
64	40110812	CRANK_BALANCER_ASM.				1
65	40010439	CRANK_BALANCER_FIX_PLATE		*		1
66	40010440	CRANK_BALANCER_FIX_PLATE_SCREW		*		2
67	40110813	CRANK_BALANCER		*		1
68	40142704	NEEDLE_BAR				1
69	B1411552000	NEEDLE BAR CLAMP				1

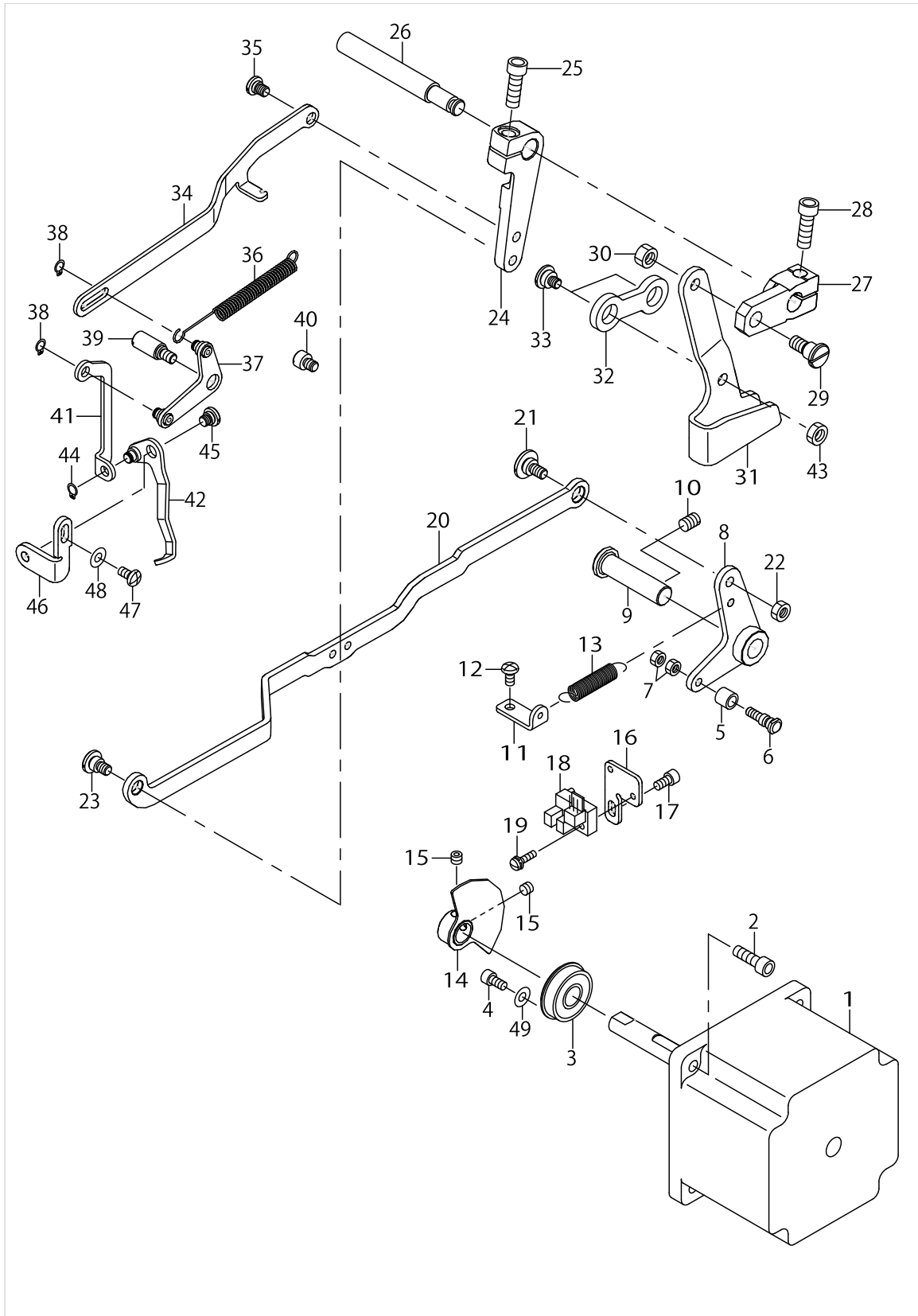
PRESSER LIFTER & WIPER COMPONENTS



PRESSER LIFTER & WIPER COMPONENTS

No.	Parts No.	Parts name	Remarks	Level	Cons	Qty
1	40139178	PRESSER LIFTING MOTOR				1
2	SM6051602TP	SCREW M5X0.8 L=16				4
3	SB110002400	BEARING				1
4	SM6040802TP	SCREW M4X0.7 L=8				1
5	40004254	UTT_CAM_ROLLER				1
6	40040256	CAM ROLLER SHAFT				1
7	NM6040001SP	NUT M4X0.7				2
8	40006661	LIFTER LINK A ASM.				1
9	40006716	THREAD TRIMMER SHAFT				1
10	SM8060812TP	SCREW M6 L=8				1
11	40023831	SPRING_RACK				1
12	SM4040855SP	SCREW				1
13	26226209	SPRING				1
14	40006666	SENSOR SLIT ASM.				1
15	SM8050402TP	SCREW				2
16	40010443	SENSOR_INSTALLING_BASE				1
17	SM6040802TP	SCREW M4X0.7 L=8				1
18	HD00057000A	PHOTO SENSOR				1
19	SL4031291SC	SCREW M3X12				1
20	40006665	LIFTER LINK B				1
21	SD0800327TP	HINGE SCREW D=8 H=3.2				1
22	NM6050001SP	NUT M5				1
23	SD0700406TP	HINGE SCREW D=7 H=4				1
24	40006671	CONNECTING ARM				1
25	SM6061802TP	SCREW M6 L=18				1
26	40083882	CONNECTING SHAFT				1
27	40008693	LOWERING ARM				1
28	SM6061802TP	SCREW M6 L=18				1
29	SD0790606TP	HINGE SCREW D=7.94 H=6				1
30	NM6060001CP	NUT M6				1
31	40010450	LOWERING_FOOT				1
32	14104400	CONNECTING LINK				1
33	SD1000406TP	HINGE SCREW D=10 H=4				2
34	40010460	WIPER CONNECTING LINK				1
35	SD0600206TP	HINGE SCREW D=6 H=2				1
36	26218008	SPRING				1
37	40010451	WIPER_CONNECTING_ARM_ASM.				1
38	RC0470611KP	RETAINING RING 4.7				2
39	40010455	WIPER_CONNECTING_LINK_SHAFT				1
40	40010457	WIPER_STOPPER				1
41	40010458	WIPER_CONNECTING_PLATE				1
42	40017202	WIPER C ASM.				1
43	NM6060003SC	NUT M6				1
44	RC0470611KP	RETAINING RING 4.7			☆	1
45	SD0640216TP	HINGE SCREW D=6.35 H=2.1				1
46	40006678	WIPER BASE PLATE				1
47	SM4040855SP	SCREW				1

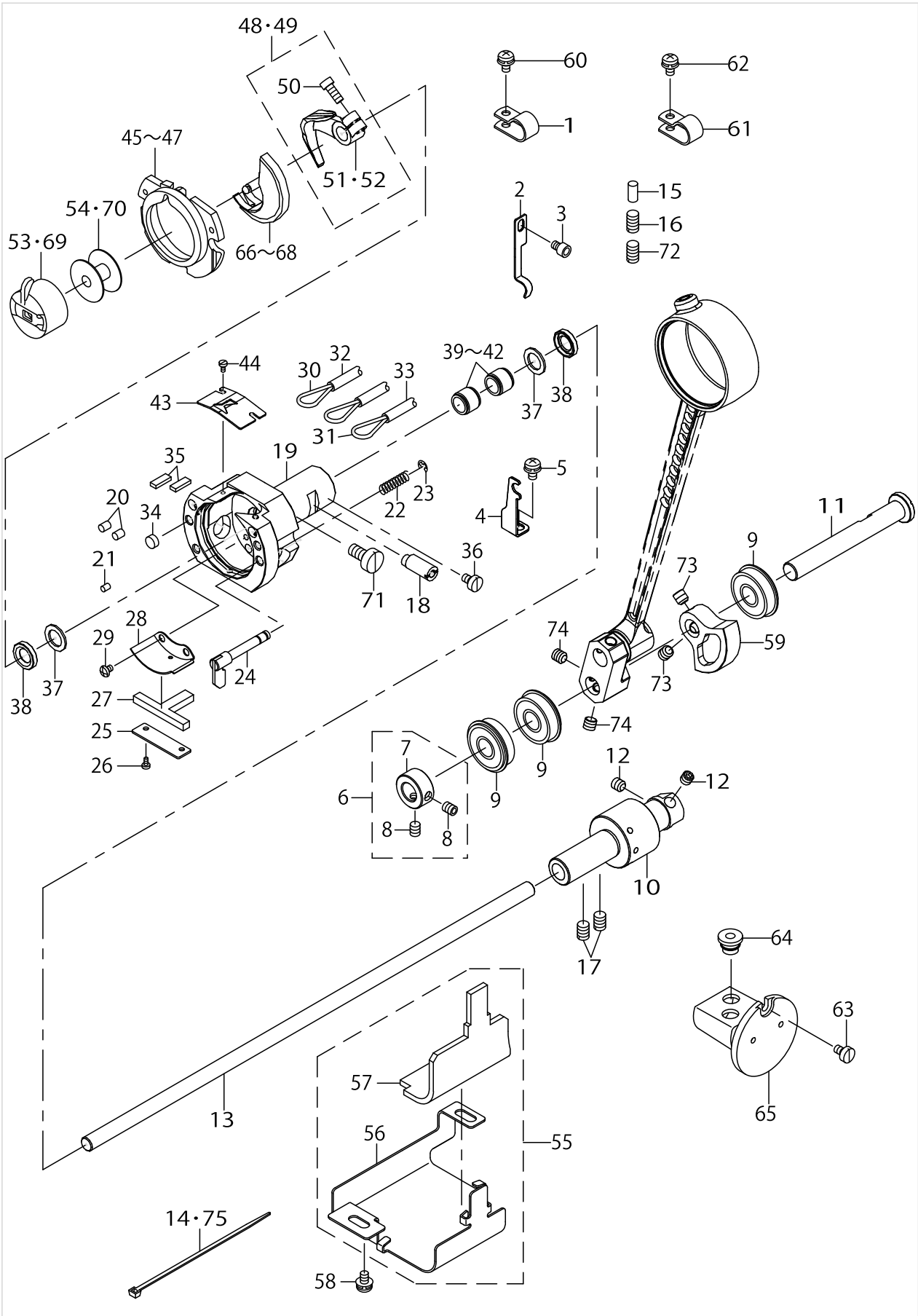
PRESSER LIFTER & WIPER COMPONENTS



PRESSER LIFTER & WIPER COMPONENTS

No.	Parts No.	Parts name	Remarks	Level	Cons	Qty
48	WP0450801SP	WASHER				1
49	WP0450801SP	WASHER				1

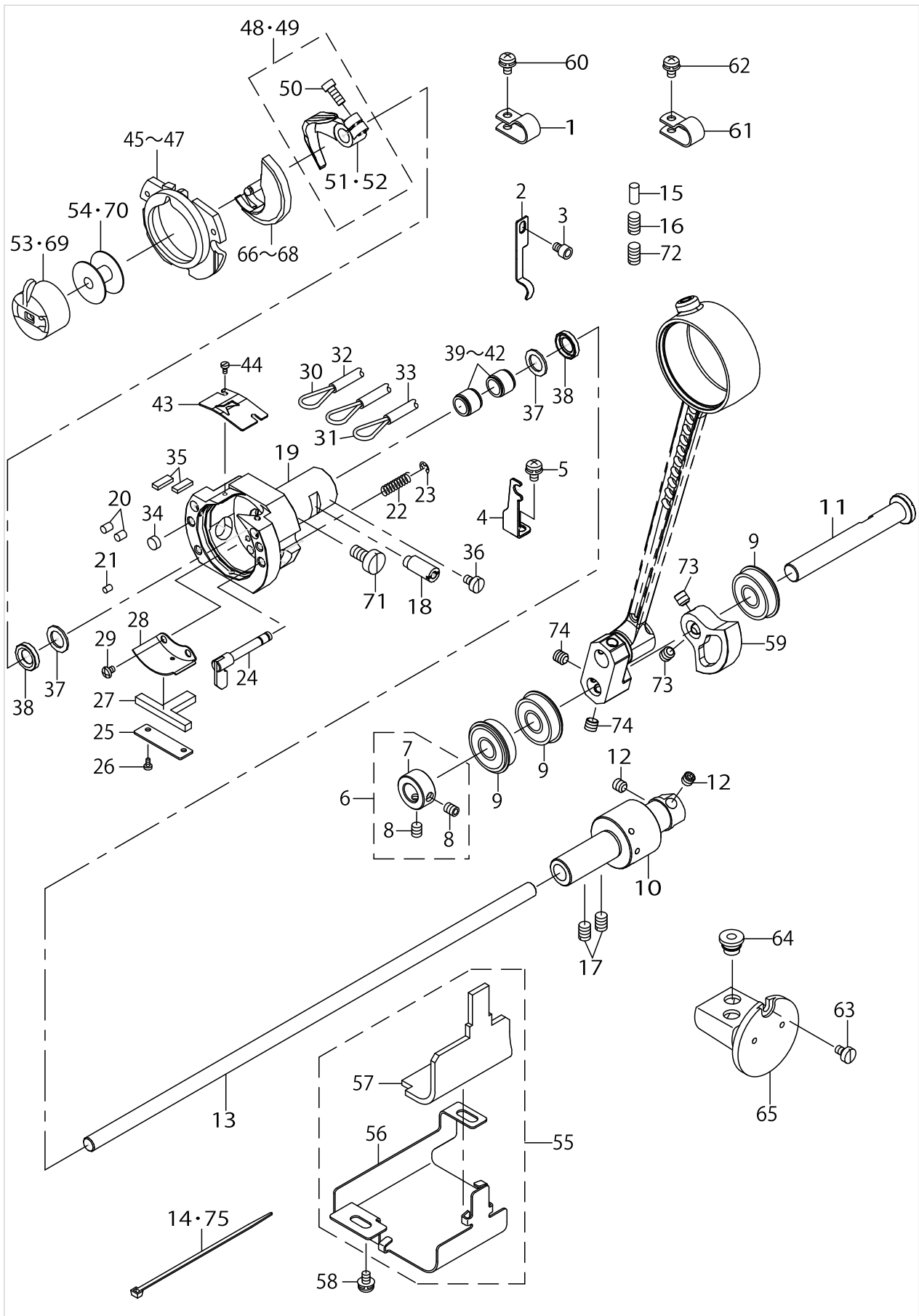
SHUTTLE DRIVER SHAFT COMPONENTS



SHUTTLE DRIVER SHAFT COMPONENTS

No.	Parts No.	Parts name	Remarks	Level	Cons	Qty
1	HX00150000D	CABLE CLIP				1
2	40012127	OIL_PIPE_HOLDER				1
3	SM6040502TP	SCREW M4X0.7 L=5				1
4	40013721	TUBE_CLAMP				1
5	SL4040891SC	SCREW M4 L=8				1
6	40010464	THRUST_COLLAR_ASM.				1
7	40010467	THRUST_COLLAR		*		1
8	40010469	THRUST_COLLAR_SCREW		*		2
9	SB110002400	BEARING				3
10	40110830	LOWER_SHAFT_GEAR_ASM.				1
11	40112994	OSCILLATOR_SHAFT				1
12	SM8060612TP	SCREW M6 L=6				2
13	40010575	LOWER SHAFT				1
14	EA9500B0100	CABLE BAND				1
15	40006578	OIL WICK PRESSER				1
16	SM8061010TP	SCREW				1
17	SM8060812TP	SCREW M6 L=8				2
18	40010471	SHUTTLE_RACE_ADJUSTING_SHAFT				1
19	40089365	SHUTTLE				1
20	B1820210D00	SHUTTLE OIL FELT A			☆	2
21	B1821210D00	SHUTTLE OIL FELT B			☆	1
22	B1822215P00	INNER HOOK PRESSER SPRING				2
23	RE0300000K0	E-RING 3				2
24	26501858	INNER HOOK PRESSER ASM.				2
25	14104004	ONCE THROUGH OIL FELT PRESSER				1
26	SM6020460TP	SCREW M2 L=3.5				2
27	14103907	SHUTTLE ONCE THROUGH OIL FELT				1
28	40006577	SHUTTLE LUBRICATING PLATE				1
29	SM4030455SP	SCREW				2
30	CQ200000000	OIL WICK				2.6
31	CQ200000000	OIL WICK				1.4
32	23630007	TUBE				1
33	23630007	TUBE				0.6
34	13529607	SHUTTLE PACKING			☆	2
35	40142719	FELT				2
36	SM6040650TP	SCREW M4 L=6				1
37	40006575	SHUTTLE BEARING RING				2
38	40110856	SUTTLE_OIL_SEAL				2
39	SB3080010CA	BEARING	SELECTIVE PARTS			2
40	SB3080010CB	BEARING	SELECTIVE PARTS			2
41	SB3080010CC	BEARING	SELECTIVE PARTS			2
42	SB3080010CD	BEARING	SELECTIVE PARTS			2
43	B1815210000	INNER HOOK UPPER SPRING				1
44	SM6020460TP	SCREW M2 L=3.5				2
45	14103253	INNER HOOK PRESSER ASM. A	FOR LK-1900BF,BM			1
46	14103352	INNER HOOK PRESSER ASM. B	FOR LK-1900BS			1
47	14103659	SHUTTLE RACE RING ASM. C	FOR LK-1900BH,BW			1

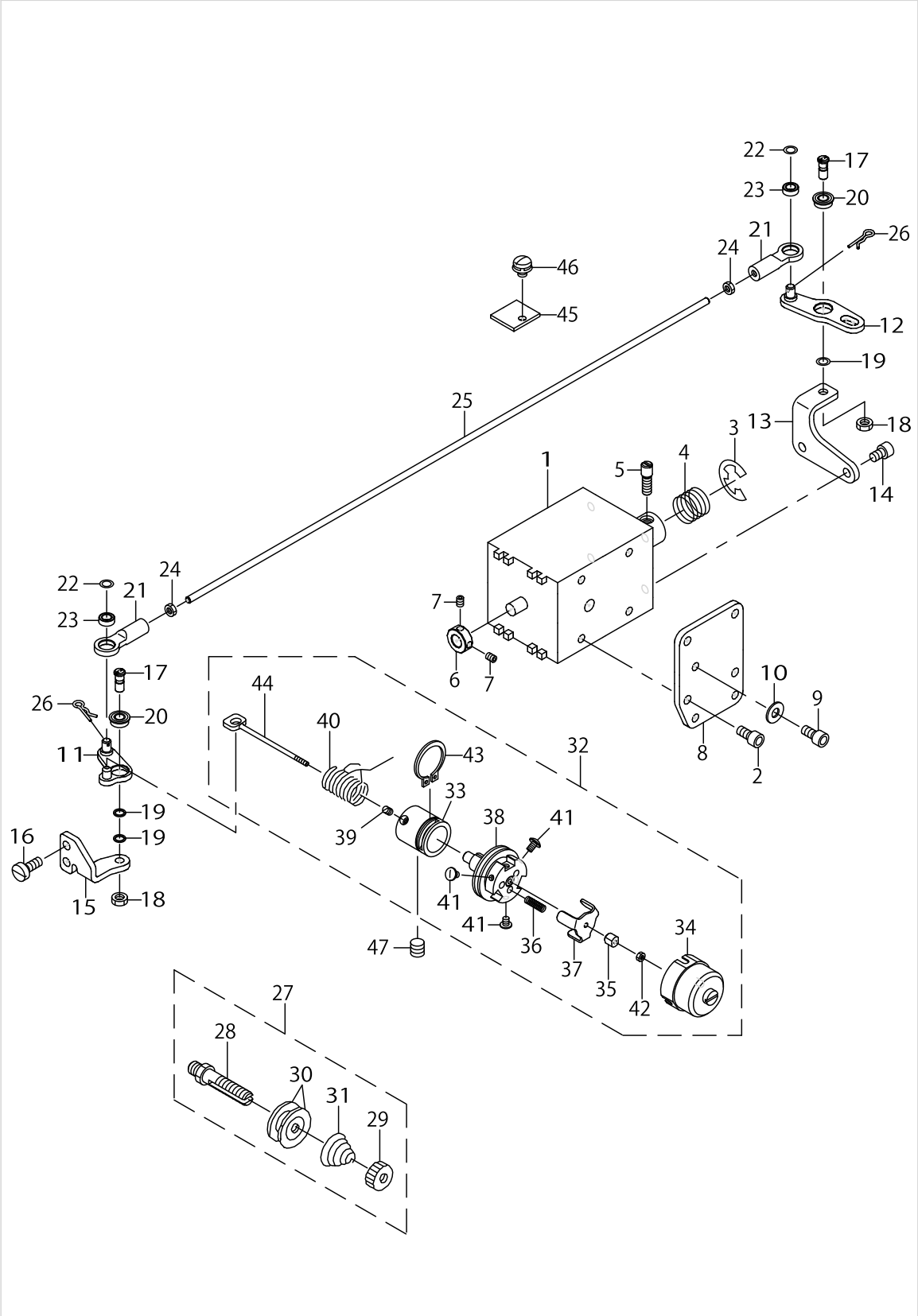
SHUTTLE DRIVER SHAFT COMPONENTS



SHUTTLE DRIVER SHAFT COMPONENTS

No.	Parts No.	Parts name	Remarks	Level	Cons	Qty
48	40011512	DRIVER_ASM.	EXCEPT LK-1900BW			1
49	40014963	SHUTTLE DRIVER ASM.	FOR LK-1900BW			1
50	SS6121212TP	SCREW 3/16-28 L=12.0		*		1
51	40011511	SHUTTLE_DRIVER	EXCEPT LK-1900BW	*		1
52	40010879	SHUTTLE DRIVER	FOR LK-1900BW	*		1
53	B18289800BB	BOBBIN CASE ASM. (RACING PREVENTION)	EXCEPT LK-1900BW		☆	1
54	13812102	BOBBIN	EXCEPT LK-1900BW		☆	1
55	40142687	LOWER_SHAFT_GEAR_COVER_ASM.				1
56	40142688	LOWER_SHAFT_GEAR_COVER		*		1
57	40010475	LOWER_SHAFT_GEAR_FELT		*		1
58	SL4040891SC	SCREW M4 L=8				2
59	40110827	OSCILLATOR				1
60	SL4040891SC	SCREW M4 L=8				1
61	HX00150000B	CABLE CLIP				2
62	SL4040891SC	SCREW M4 L=8				2
63	SM6040650TP	SCREW M4 L=6				1
64	40006840	RUBBER BUSH				2
65	40006836	OIL TANK ASM.				1
66	40110846	SHUTTLE	EXCEPT LK-1900BH,BW		☆	1
67	40112995	SHUTTLE(H)	FOR LK-1900BH		☆	1
68	40014965	SHUTTLE(H)	FOR LK-1900BW		☆	1
69	B1828210DAA	BOBBIN CASE ASM.	FOR LK-1900BW		☆	1
70	B1806210D00	BOBBIN	FOR LK-1900BW		☆	1
71	40010470	SHUTTLE_ASM_SCREW				1
72	SM8061050TP	SCREW				1
73	SM8480652TP	SCREW				2
74	SM8480652TP	SCREW				2
75	A4078009000	BAND (SMALL)				1

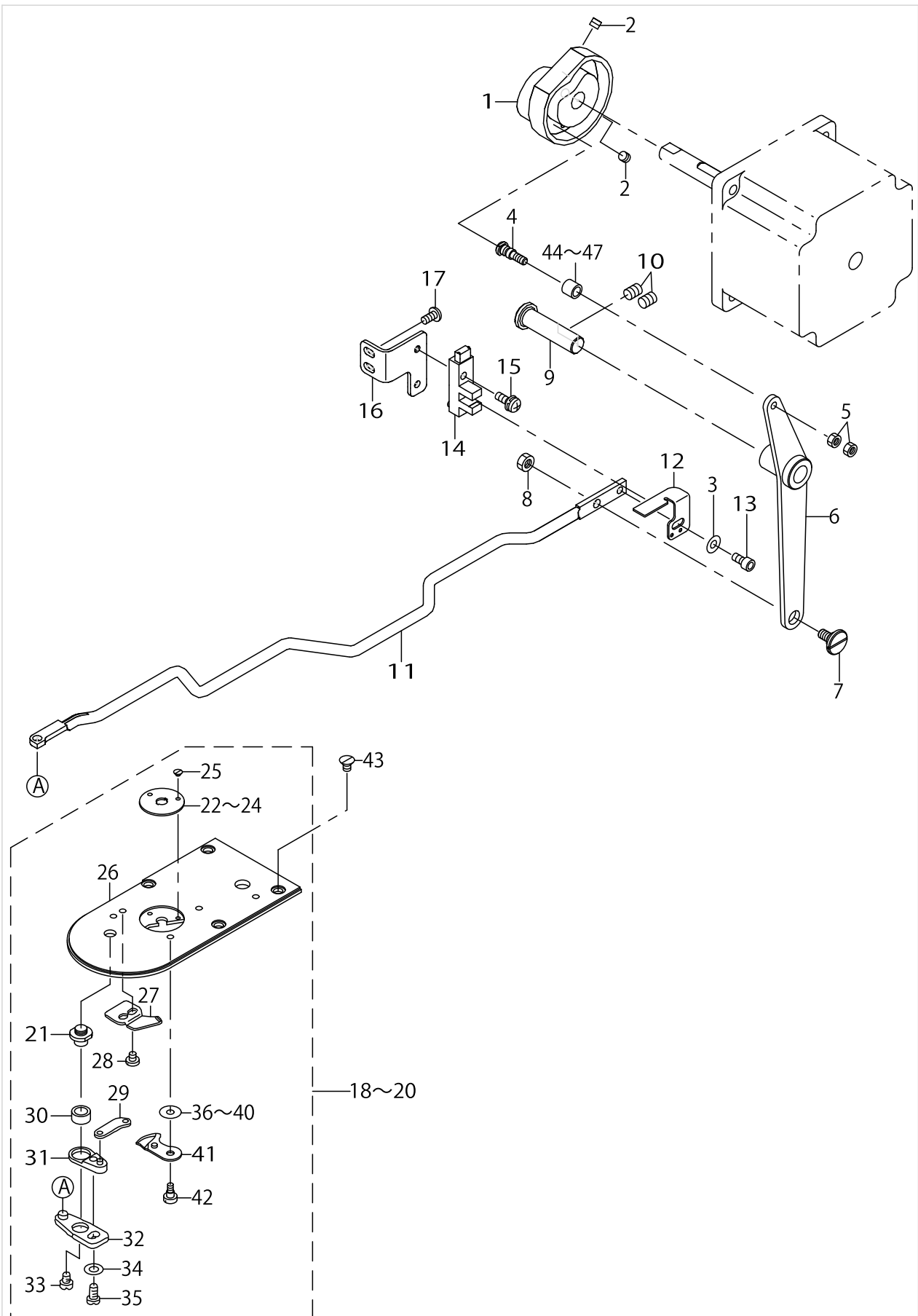
THREAD TENSION COMPONENTS



THREAD TENSION COMPONENTS

No.	Parts No.	Parts name	Remarks	Level	Cons	Qty
1	40142273	AT SOLENOID				1
2	SM6040802TP	SCREW M4X0.7 L=8				4
3	RE0900000K0	E-RING 9				1
4	40006625	SPRING				1
5	40006617	AT SOL PIN				1
6	40010477	AT_SOL_COLLAR				1
7	SM8030412TP	SCREW				2
8	40010479	AT_PLATE				1
9	SM6040802TP	SCREW M4X0.7 L=8				2
10	WP0450801SD	WASHER 4.5X10X0.8				2
11	40010482	AT_DRIVE_LINK(F)_ASM.				1
12	40010492	AT_DRIVE_LINK(R)_ASM.				1
13	40010495	AT_PIVOT_BASE(R)				1
14	SM6040602TP	SCREW M4 L=6				2
15	40010486	AT_PIVOT_BASE(F)				1
16	SM6041050TP	SCREW M4 L=10				2
17	40010487	AT_PIVOT_SCREW				2
18	NM6040003SC	NUT M4				2
19	40010489	AT_PIVOT_SCREW_WASHER				3
20	40010490	AT_PIVOT_BEARING				2
21	40010497	AT_JOINT				2
22	40010489	AT_PIVOT_SCREW_WASHER				2
23	40010498	AT_JOINT_BEARING				2
24	NM6030001SC	NUT M3X0.5 TYPE1				2
25	40010500	AT_CONNECTION_BAR				1
26	40006622	AT SNAP PIN				2
27	40010503	THREAD_TENSION_1_ASM.				1
28	40010504	THREAD_TENSION_SHAFT		*		1
29	22928808	NUT		*		1
30	22921506	THREAD TENSION DISK		*		2
31	26218602	FIRST_THREAD_TENSION_SPRING		*		1
32	40010508	THREAD_TENSION_2_ASM.				1
33	40010510	THREAD_TENSION_POST_BASE		*		1
34	40010511	DISK_STOPPER HOLDER_CAP		*		1
35	40010512	THREAD_TENSION_SHAFT_COLLAR		*		1
36	40010513	DISK_STOPPER_SPRING		*		3
37	40010514	DISK_STOPPER		*		1
38	40010515	ASSY_THREAD_TENSION_POST		*		1
39	40010478	AT_SOL_COLLAR_SCREW		*		1
40	22921605	THREAD TAKE-UP SPRING		*	☆	1
41	40010521	HOLD_CAP_SCREW		*		3
42	40010522	SHAFT_NUT		*		1
43	40010523	POST_BASE_C_RING		*		1
44	40010509	THREAD_TENSION_SHAFT		*		1
45	40013967	AT-FELT				1
46	SL4040681SC	SCREW M4 L=6				1
47	SM80606A2TP	SCREW M6 L=6				1

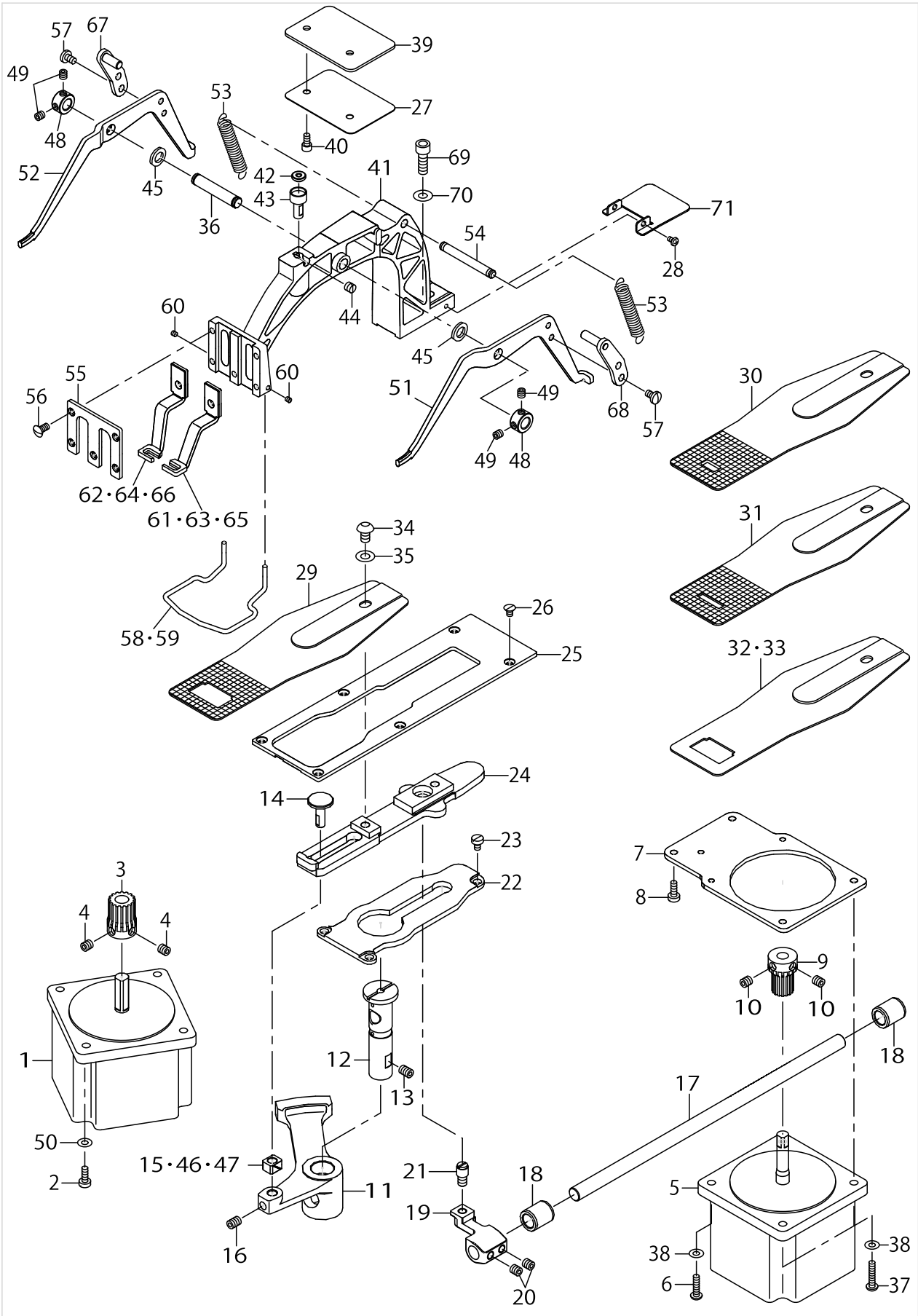
THREAD TRIMMER MECHANISM COMPONENTS



THREAD TRIMMER MECHANISM COMPONENTS

No.	Parts No.	Parts name	Remarks	Level	Cons	Qty
1	40142728	THREAD_TRIMMER_CAM				1
2	SM8050592TP	SCREW				2
3	WP0450801SP	WASHER				1
4	40040256	CAM ROLLER SHAFT				1
5	NM6040001SP	NUT M4X0.7				2
6	40006712	THREAD TRIMMER LINK ASM.				1
7	SD0800327TP	HINGE SCREW D=8 H=3.2				1
8	NM6050001SP	NUT M5				1
9	40006716	THREAD TRIMMER SHAFT				1
10	SM8060812TP	SCREW M6 L=8				2
11	40006717	CONNECTING BAR				1
12	40010525	THREAD_TRIMMER_SENSOR_SLIT				1
13	SM6040802TP	SCREW M4X0.7 L=8				1
14	HD002230000	PHOTO SENSOR				1
15	SL4041291SC	SCREW M4 L=12				1
16	40010526	THREAD_TRIMMER_SENSOR_BASE				1
17	SM4040855SP	SCREW				2
18	40142720	NEEDLE PLATE ASM A	FOR LK-1900BS			1
19	40142721	NEEDLE PLATE ASM H	FOR LK-1900BH,BW			1
20	40142722	NEEDLE PLATE ASM E	FOR LK-1900BF,BM			1
21	B2417280000	THREAD CUTTER LEVER SHAFT		*		1
22	B2426280000	NEEDLE HOLE GUIDE	FOR LK-1900BS	*	☆	1
23	14109607	NEEDLE HOLE GUIDE	FOR LK-1900BH,BW	*	☆	1
24	D2426282C00	NEEDLE HOLE GUIDE	FOR LK-1900BF,BM	*	☆	1
25	SS1060210TP	SCREW 3/32-56 L=2.2		*	☆	2
26	40142725	NEEDLE PLATE		*		1
27	B2424280000	FIXING KNIFE		*	☆	1
28	SS7090410SP	SCREW 9/64-40 L=3.5		*		2
29	B2418280000	MOVING KNIFE LINK		*		1
30	B2416280000	THREAD CUTTING LEVER RING		*		1
31	B24152800A0	THREAD CUTTER LEVER ASM. (SMALL)		*		1
32	B24142800A0	THREAD CUTTER LEVER ASM. (LARGE)		*		1
33	SS6110430TP	SCREW 11/64-40 L=4.0		*		1
34	WP0450846SP	WASHER		*		1
35	SS7110740TP	SCREW 11/64-40 L=7		*		1
36	B242328000C	MOVING KNIFE WASHER C	SELECTIVE PARTS	*		1
37	B242328000A	MOVING KNIFE WASHER A	SELECTIVE PARTS	*		1
38	B242328000B	MOVING KNIFE WASHER B	SELECTIVE PARTS	*		1
39	B242328000D	MOVING KNIFE WASHER D	SELECTIVE PARTS	*		1
40	B242328000E	MOVING KNIFE WASHER E	SELECTIVE PARTS	*		1
41	B24212800A0	MOVING KNIFE ASM.		*	☆	1
42	SD0500091TP	HINGE SCREW D=5.0 H=0.9		*		1
43	SM1040650TP	SCREW M4 L=6				4
44	23517501	NEEDLE CAM ROLLER A				1
45	23517600	NEEDLE CAM ROLLER B				1
46	23517709	NEEDLE CAM ROLLER C				1
47	23517808	NEEDLE CAM ROLLER D				1

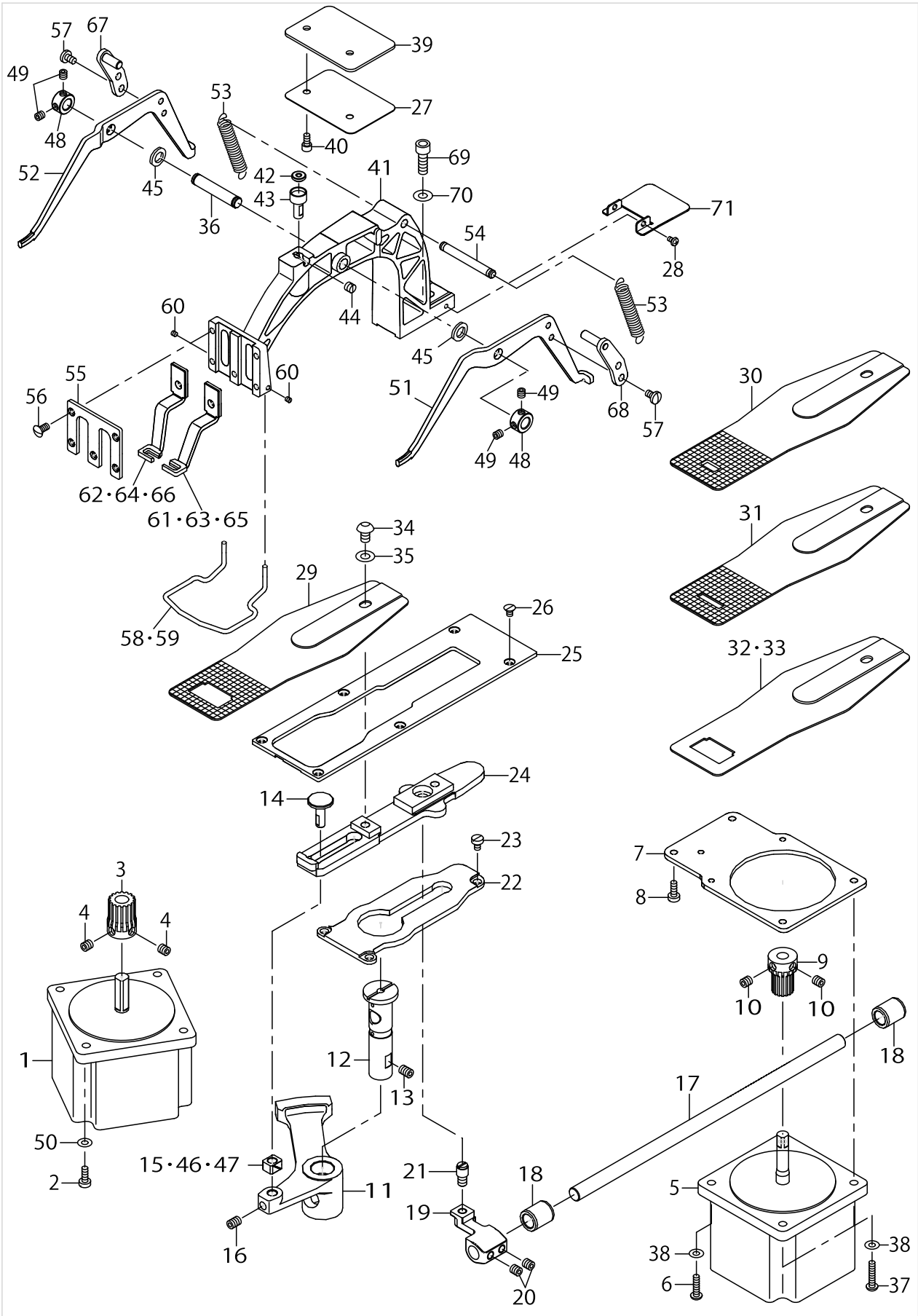
FEED MECHANISM COMPONENTS



FEED MECHANISM COMPONENTS

No.	Parts No.	Parts name	Remarks	Level	Cons	Qty
1	40139176	X FEED MOTOR				1
2	SM4041655SP	SCREW M4 L=16				4
3	40142729	X FEED GEAR				1
4	SM8480662TP	SCREW M6X0.75 L=6				2
5	40139177	Y FEED MOTOR				1
6	SM4041655SP	SCREW M4 L=16				2
7	40010536	Y_FEED_MOTOR_BASE				1
8	SM6041150TP	SCREW M4 L=11				2
9	26501502	Y FEED GEAR				1
10	SM8060602TP	SCREW M6X6				2
11	40142731	CLOTH_FEED_ARM				1
12	26222703	FEED DRIVING ARM SHAFT				1
13	SM8060812TP	SCREW M6 L=8				1
14	26223305	SLIDE BLOCK STUD				1
15	B1414232000	SQUARE BLOCK	SELECTIVE PARTS			1
16	SM8060812TP	SCREW M6 L=8				1
17	40006738	Y FEED SHAFT				1
18	B2509704000	BUSHING REAR				2
19	40142733	LENGTHWISE FEED ARM				1
20	SM8060612TP	SCREW M6 L=6				2
21	26223503	HINGE STUD				1
22	40006740	CLOTH FEED SUPPORT PLATE				1
23	SM6040650TP	SCREW				3
24	40006737	CLOTH FEED PLATE				1
25	40006739	CLOTH FEED PRESSER PLATE				1
26	SM1040650TP	SCREW M4 L=6				6
27	40142735	SLIDER SHEET				1
28	SM5030501SC	SCREW M3 L=5				2
29	14116107	FEED PLATE A	FOR LK-1900BS			1
30	14116206	FEED PLATE B	FOR LK-1900BM			1
31	13554803	FEED PLATE	FOR LK-1900BH,BW			1
32	14116800	FEED PLATE H	FOR LK-1900BF(EXCEPT BB)			1
33	14116404	FEED PLATE D	FOR LK-1900BF,BB			1
34	SM3061052TP	SCREW M6 L=10				1
35	WP0621016SD	WASHER 6.2X13X1				1
36	40083883	LIFTING LEVER SHAFT B				1
37	SM4042055SP	SCREW M4 L=20				2
38	WP0450801SP	WASHER				4
39	40142734	SUPPORT PLATE				1
40	SM6040802TP	SCREW M4X0.7 L=8				2
41	40039013	FEED BRACKET B				1
42	40142736	SLIDER				1
43	26224808	BALL RETAINER				1
44	SS8150510TP	SCREW 15/64-28 L=4.7				1
45	40083885	WASHER				2
46	B141423200A	CRANK SLIDE BLOCK	SELECTIVE PARTS			1
47	B141423200B	GUIDE ROLLER	SELECTIVE PARTS			1

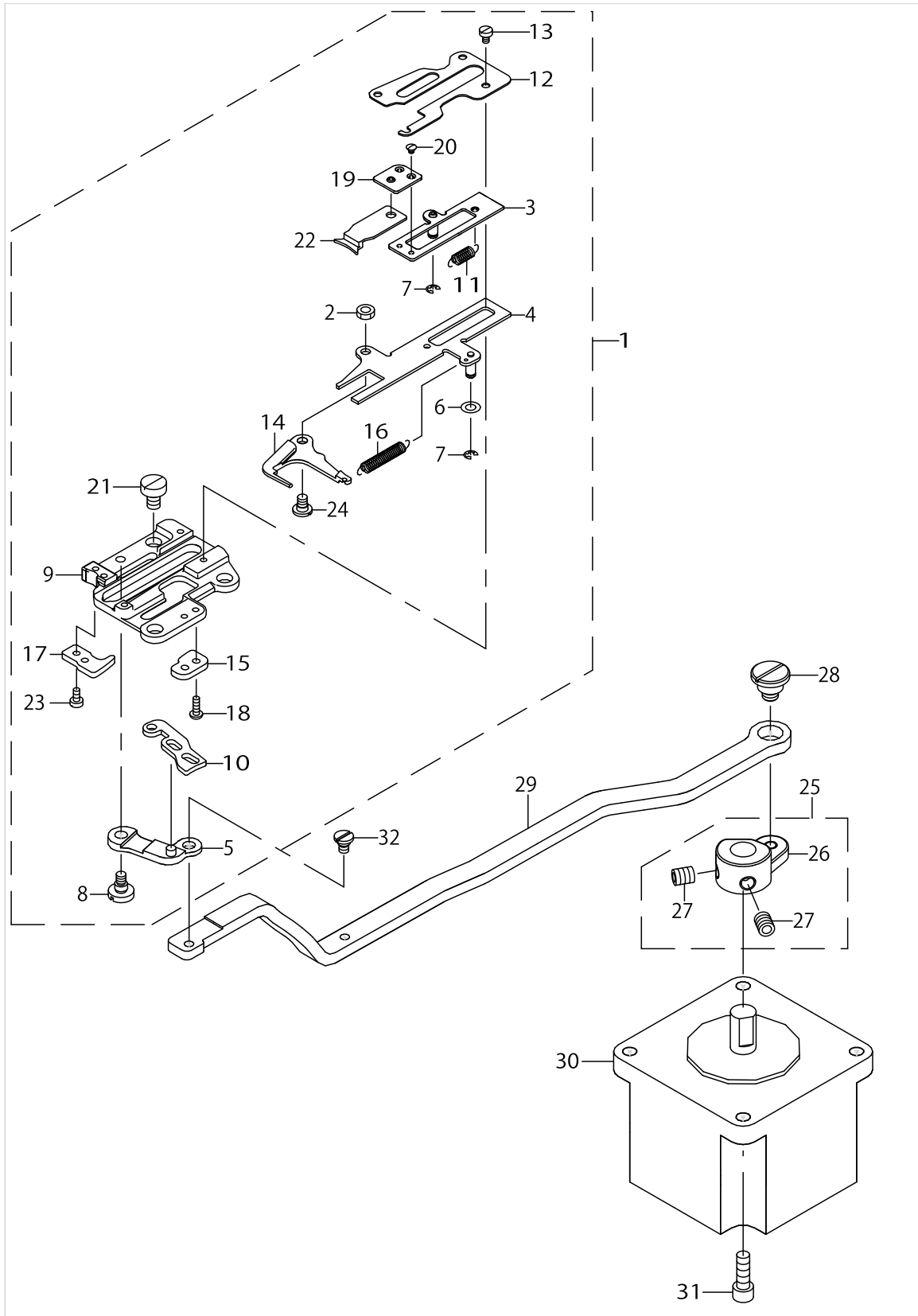
FEED MECHANISM COMPONENTS



FEED MECHANISM COMPONENTS

No.	Parts No.	Parts name	Remarks	Level	Cons	Qty
48	40083884	THRUST COLLAR D=8 W=8				2
49	SM8050512TP	SCREW M5 L=5				4
50	WP0450801SP	WASHER				4
51	26204008	LIFTING LEVER (RIGHT)				1
52	26204107	LIFTING LEVER (LEFT)				1
53	14105407	CLOTH PRESSER SPRING				2
54	13518501	SPRING SUSPENSION				1
55	26224105	WORK CLAMP FOOT FACE PLATE				1
56	SS2110930SP	SCREW 11/64-40 L=8.7				5
57	SS7110740TP	SCREW 11/64-40 L=7				4
58	26224204	FINGER GUARD	EXCEPT LK-1900BH,BW			1
59	13548300	FINGER GUARD	FOR LK-1900BH,BW			1
60	SS8080310TP	SCREW 1/8-44 L=2.8				2
61	13518600	WORK CLAMP FOOT (RIGHT)	FOR LK-1900BS,BF			1
62	13518709	WORK CLAMP FOOT (LEFT)	FOR LK-1900BS,BF			1
63	13548102	WORK CLAMP FOOT (RIGHT)	FOR LK-1900BH,BW			1
64	13548201	WORK CLAMP FOOT (LEFT)	FOR LK-1900BH,BW			1
65	13542915	WORK CLAMP FOOT (RIGHT)	FOR LK-1900BM			1
66	13543012	WORK CLAMP FOOT (LEFT)	FOR LK-1900BM			1
67	40103155	LEVER_DRIVING_PLATE_L_ASM.				1
68	40103154	LEVER_DRIVING_PLATE_R_ASM.				1
69	SM6061802TP	SCREW M6 L=18				1
70	WP0621016SD	WASHER 6.2X13X1				1
71	40010570	HIDDEN_PLATE				1

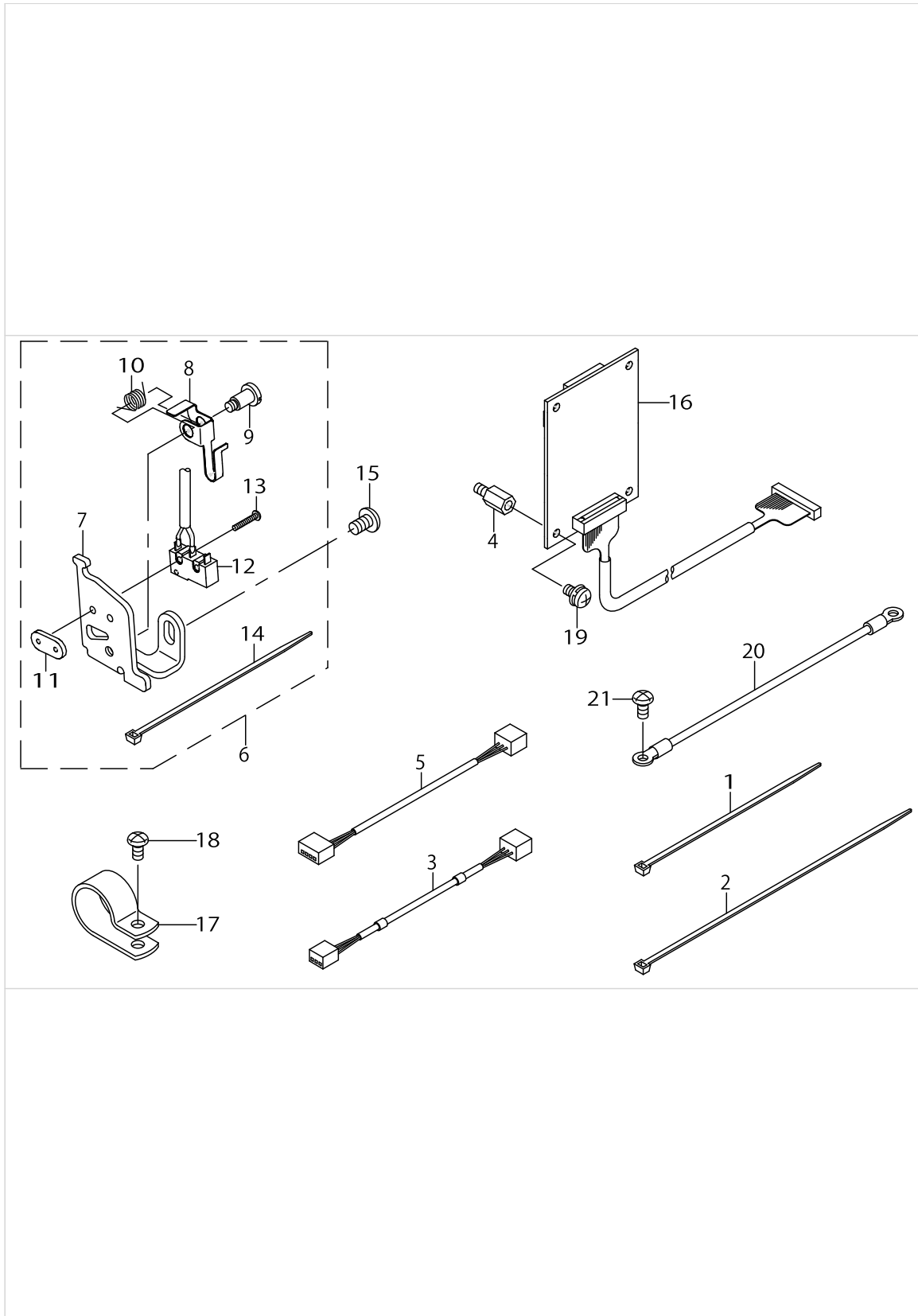
TC CLAMP COMPONENTS



TC CLAMP COMPONENTS

No.	Parts No.	Parts name	Remarks	Level	Cons	Qty
1	40142737	THREAD_CLAMP_UNIT_ASM.				1
2	NM6030003SC	NUT M3		*		1
3	40076233	TC_CLAMP_PLATE_ASM.		*		1
4	40076238	TC_SUPPORT_PLATE		*		1
5	40015800	TC_LINK_ASM.		*		1
6	WP0320500SC	WASHER M3		*		2
7	RE0200000K0	E-RING		*		2
8	SD0400266TP	HINGE SCREW D=4 H=2.6		*		1
9	40076237	TC_BASE		*		1
10	40010590	TC_CAM_PLATE		*		1
11	40006780	TC_SPRING		*		1
12	40076236	TC_BASE_COVER		*		1
13	SM6020350SP	SCREW M2 L=2.5		*		4
14	40076239	TC_OPEN_PLATE		*		1
15	40030943	TC_NOTCH_R_H		*		1
16	40076232	TC_OPEN_SPRING		*		1
17	40030942	TC_NOTCH_F_H		*		1
18	SM4020600SP	SCREW M2 L=6		*		2
19	40012815	TC JOINT ASM.		*		1
20	SM2360110TP	SCREW		*		2
21	SM6040650TP	SCREW		*		3
22	40006761	TC CLAMP		*		1
23	SM6020450TP	SCREW		*		2
24	SD0350156TP	SHOULDER SCREW		*		1
25	40010527	TC_DRIVING_ARM_ASM.				1
26	40142739	TC_DRIVING_ARM		*		1
27	40011152	TC_ARM_SCREW		*		2
28	SD0800407TP	SHOULDER SCREW				1
29	40006776	TC_CONNECTING_LINK				1
30	40139179	THREAD CLAMP MOTOR				1
31	SM6041202TP	SCREW M4X0.7 L=12				4
32	SD0350156TP	SHOULDER SCREW				1

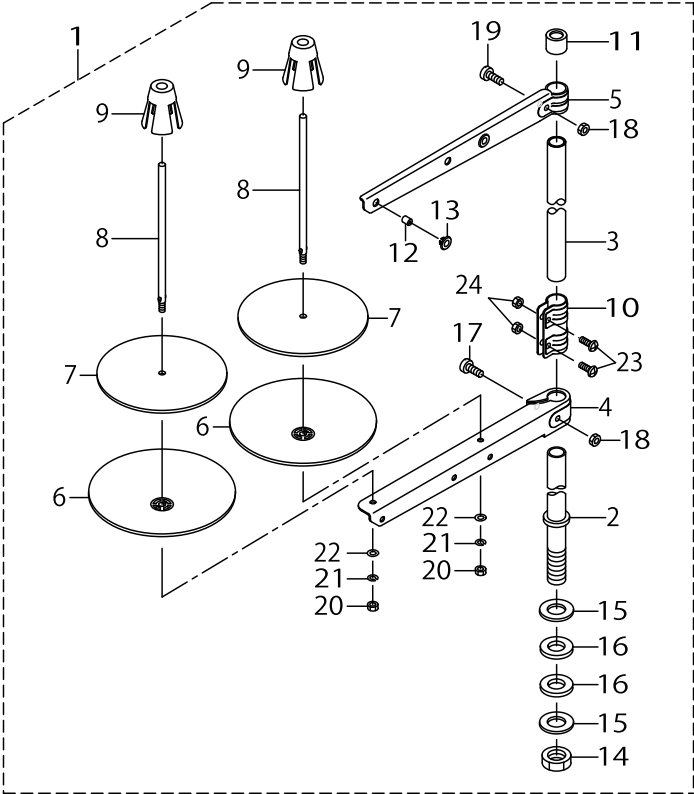
SENSOR COMPONENTS



SENSOR COMPONENTS

No.	Parts No.	Parts name	Remarks	Level	Cons	Qty
1	EA9500B0100	CABLE BAND				2
2	EA9500B0200	CABLE BAND 150				2
3	40005732	PF SENSOR CABLE ASM.				1
4	KX000000380	SPACER				4
5	40142747	TT SENSOR CABLE ASM.				1
6	40006495	SAFETY SW ASM.				1
7	40006496	SAFETY SW BASE		*		1
8	23638109	SAFETY SWITCH ARM.		*		1
9	40006497	SAFETY SW ARM SHAFT		*		1
10	23638208	SAFETY SWITCH SPRING		*		1
11	23638406	SAFETY SWITCH NUT		*		1
12	40005734	SAFETY SW CABLE ASM.		*		1
13	SM4021201SC	SCREW M2 L=12		*		2
14	EA9500B0100	CABLE BAND		*		1
15	SM4050855SP	SCREW				1
16	40137370	INT PCB ASM.				1
17	HX00150000K	CABLE CLIP				1
18	SM4040855SP	SCREW				1
19	SL4040881SF	SCREW M4 L=8				4
20	14115554	HEAD GROUND CABLE A ASM.				1
21	SM4040855SP	SCREW				1

THREAD STAND COMPONENTS



THREAD STAND COMPONENTS

No.	Parts No.	Parts name	Remarks	Level	Cons	Qty
1	40096354	THREAD STAND ASM.				1
2	40085784	SPOOL REST ROD (LOWER)		*		1
3	40085785	SPOOL REST ROD (UPPER)		*		1
4	40085786	SPOOL REST ARM (LOWER)		*		1
5	40085787	SPOOL REST ARM (UPPER)		*		1
6	40085788	SPOOL REST		*		2
7	40085789	SPOOL REST CUSHION		*		2
8	40085790	SPOOL PIN		*		2
9	40085791	SPOOL RETAINER		*		2
10	40085792	SPOOL REST ROD JOINT		*		1
11	40085793	SPOOL REST ROD RUBBER CAP		*		1
12	40085794	THREAD GUIDE		*		2
13	40085795	THREAD GUIDE BUSHING		*		2
14	40096325	SPOOL REST ROD NUT		*		1
15	WP1612616SE	WASHER 16X30X2.6		*		2
16	40085796	SPOOL REST ROD RUBBER CUSHION		*		2
17	40096326	SPOOL REST ARM LOWER SCREW		*		1
18	NM6050001SE	NUT M5		*		2
19	40096327	SPOOL REST ARM UPPER SCREW		*		1
20	NM6050001SE	NUT M5		*		2
21	WS0510002KN	SPRING WASHER M5		*		2
22	WP0531001SC	WASHER M5		*		2
23	SM4051405SE	SCREW M5 L=14		*		2
24	NM6050001SE	NUT M5		*		2

TABLE STAND COMPONENTS (JT-K46)

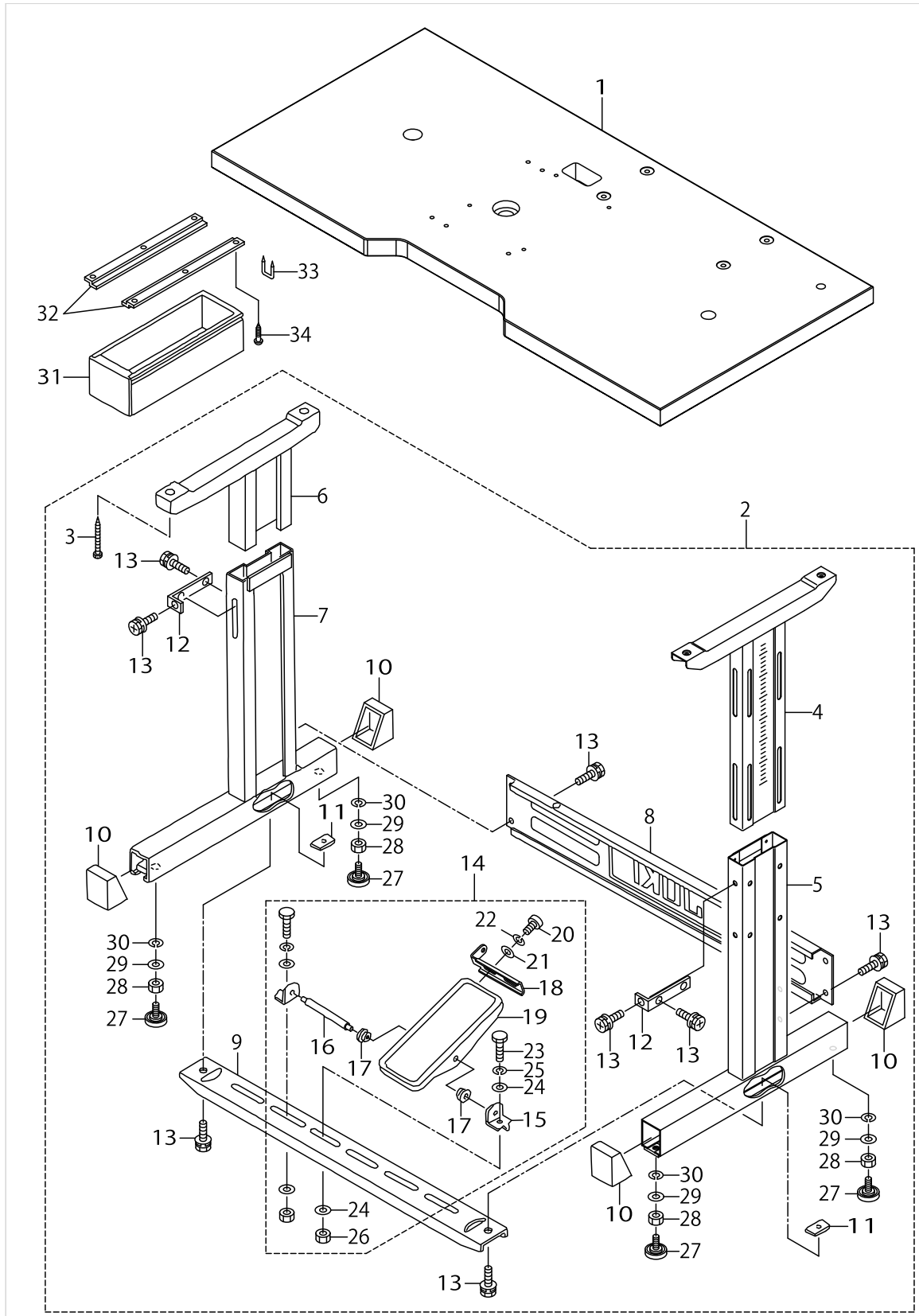
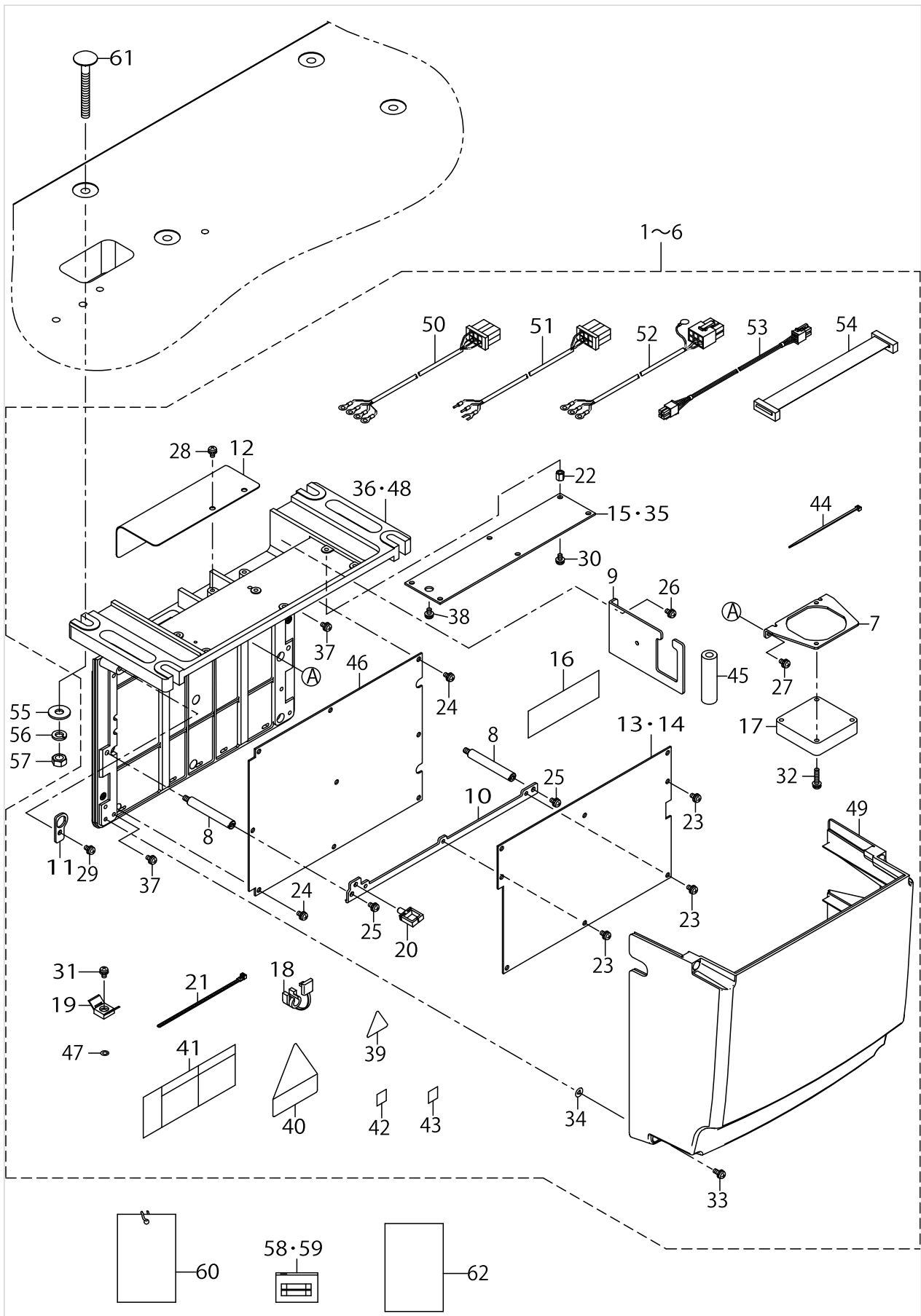


TABLE STAND COMPONENTS (JT-K46)

No.	Parts No.	Parts name	Remarks	Level	Cons	Qty
1	40143093	TABLE				1
2	14118053	T-STAND COMPL.				1
3	ST9053511SR	TAPPING SCREW M5X35		*		4
4	14118152	UPPER STAND ASM. (RIGHT)		*		1
5	14118251	STAND ASM. (RIGHT)		*		1
6	B8101210AAB	UPPER STAND ASM.		*		1
7	B8105210AAA	STAND ASM.		*		1
8	11158300	STAND SIDE SUPPORT		*		1
9	11158409	STAND SIDE SUPPORT		*		1
10	11158607	RUBBER CAP		*		4
11	17007402	NUT		*		2
12	11158516	UPPER STAND PLATE		*		2
13	SL9082091SE	WASHER HEXAGONAL BOLT		*		12
14	13817754	Z-STAND PEDAL ASM.		*		1
15	11159001	PEDAL SHAFT BRACKET		*		1
16	B8153771000	PEDAL CONNECTING ROD		*		1
17	D8113555B00	PEDAL BUSHING		*		2
18	GPF06080000	PEDAL ADJUSTING PLATE		*		1
19	GPF060600A0	PEDAL ASM.		*		1
20	SM9061203SE	SCREW M6 L=12		*		2
21	WP0671016SE	WASHER 6.7X13X1		*		2
22	WS0621210KR	SPRING WASHER 6.2X11.4X1.2		*		2
23	SM9082023SE	SCREW M8 L=20		*		2
24	WP0871602SE	WASHER 8.7X18X1.6		*		4
25	WS0861410KR	SPRING WASHER 8.6X15X1.4		*		2
26	NM6080721SE	NUT M8		*		2
27	B81085550A0	ADJUSTING SCREW ASM. WITH CAP		*		4
28	NM6120001SE	NUT M12		*		4
29	WP1302501SE	WASHER M12		*		4
30	WS1253010KN	SPRING WASHER 12.5X21.5X3		*		4
31	11155108	DRAWER				1
32	11155207	DRAWER SUPPORT				2
33	D8204555D00	DRAWER STOPPER				1
34	SK3311601SE	WOOD SCREW D=3.1 L=16				6

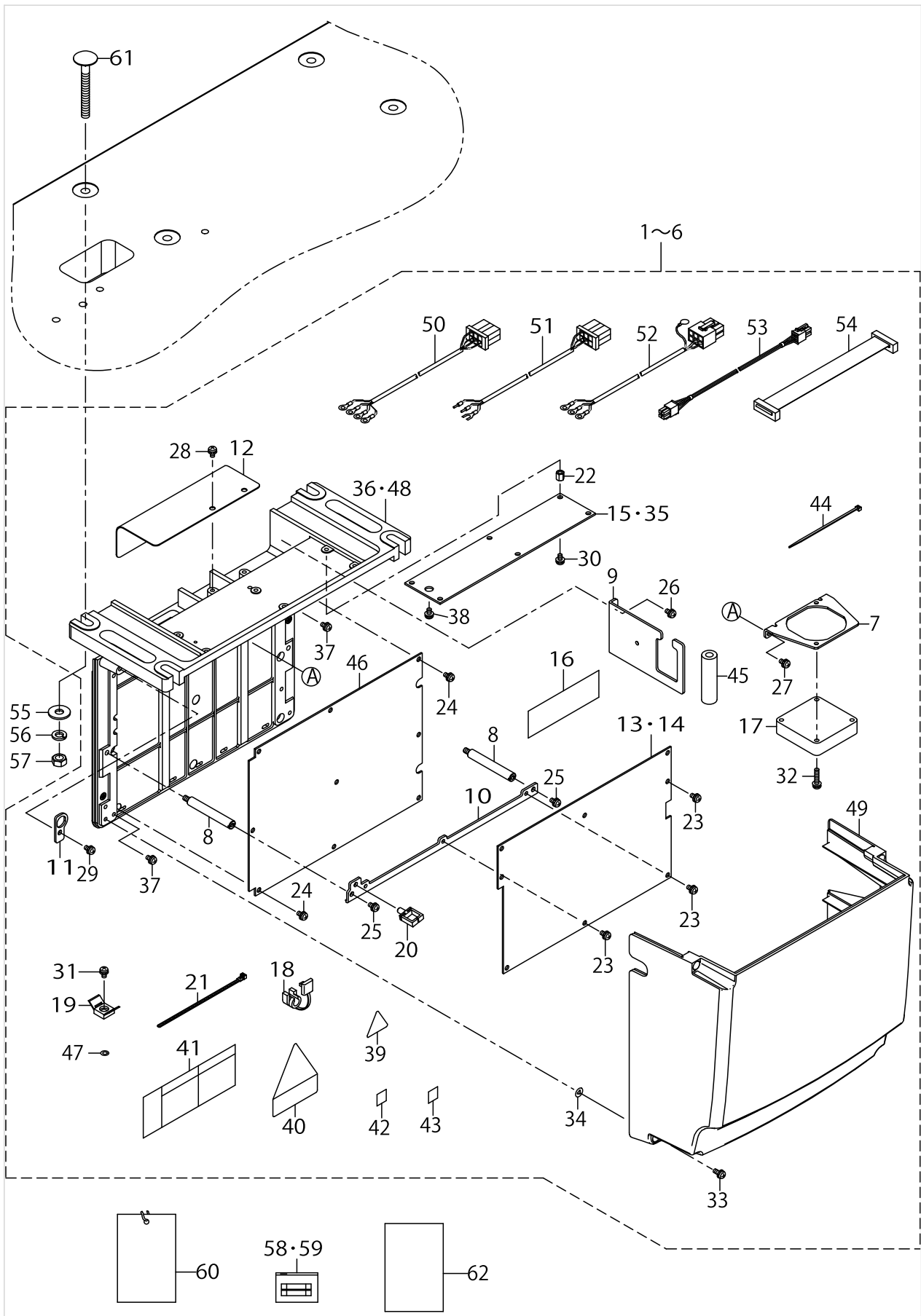
CONTROL BOX COMPONENTS



CONTROL BOX COMPONENTS

No.	Parts No.	Parts name	Remarks	Level	Cons	Qty
1	40142663	CONTROL BOX A ASM.	FOR 1-PHASE 220~240V			1
2	40142664	CONTROL BOX B ASM.	FOR 3-PHASE 200~240V			1
3	40142665	CONTROL BOX C ASM.	FOR 1-PHASE CE 220~240V			1
4	40153140	CONTROL BOX A ASM.	FOR 1-PHASE 220~240V(MC-672)			1
5	40153141	CONTROL BOX B ASM.	FOR 3-PHASE 200~240V(MC-672)			1
6	40153142	CONTROL BOX C ASM.	FOR 1-PHASE CE 220~240V(MC-672)			1
7	40115874	FAN PLATE		*		1
8	40143990	STUD		*		2
9	40115876	PLATE B		*		1
10	40115877	MAIN PLATE		*		1
11	40115878	PLATE C		*		1
12	40115879	FAN COVER		*		1
13	40137360	MAIN PCB ASSY		*	☆	1
14	40152920	MAIN PCB ASSY	FOR MC-672	*	☆	1
15	40105465	FLT-T PCB ASSY	FOR 3-PHASE 200~240V(MC-67-0), 3-PHASE 200~240V(MC-672)	*		1
16	40114398	MAIN COOL SHEET		*		2
17	40111214	FAN MOTOR ASSY		*		1
18	KX000000320	BUSH		*		1
19	KX000000260	SADDLE TYPE TIE MOUNT		*		1
20	HX00222000D	WIRE SADDLE		*		1
21	HX00292000A	CONNECTING PART		*		1
22	HX00339000M	SPACER	FOR 3-PHASE 200~240V, 1-PHASE CE 220~240V	*		6
23	SL4040881SC	SCREW M4 L=8		*		8
24	SL4040881SC	SCREW M4 L=8		*		4
25	SL4040881SC	SCREW M4 L=8		*		2
26	SL4040881SC	SCREW M4 L=8		*		2
27	SL4040881SC	SCREW M4 L=8		*		2
28	SL4040881SC	SCREW M4 L=8		*		2
29	SL4040881SC	SCREW M4 L=8		*		1
30	SL4040881SC	SCREW M4 L=8	FOR 3-PHASE 200~240V, 1-PHASE CE 220~240V	*		6
31	SL4040881SC	SCREW M4 L=8		*		1
32	SL4042091SC	SCREW M4X0.7 L=20		*		2
33	SL4041281SC	SCREW M4X0.7 L=12		*		4
34	M8002430000	STOPPER		*		4
35	40145901	FLT-CE PCB ASSY	FOR 1-PHASE CE 220~240V(MC-670), 1-PHASE CE 220~240V(MC-672)	*		1
36	40143988	FRAME A	FOR 1-PHASE 220~240V	*		1
37	SL4040881SC	SCREW M4 L=8		*		3
38	SL4030881SC	SCREW M3 L=8	FOR 3-PHASE 200~240V	*		1
39	CM300100001	LABEL	FOR 1-PHASE 220~240V, 1-PHASE CE 220~240V, 1-PHASE 220~240V(FOR CHINA)	*		1
40	CM300400602	VOLTAGE CAUTION LABEL L=25		*		1
41	CM300100402	VOLTAGE DANGER LABEL 3 (SMALL)	FOR 3-PHASE 200~240V	*		1
42	CM600100101	WEEE MARK LABEL S	FOR 1-PHASE CE 220~240V	*		1
43	40150131	EAC_MARK_LABEL_S	FOR 1-PHASE CE 220~240V	*		1
44	EA9500B0100	CABLE BAND		*		1
45	E8760452S00	TUBE		*		0.055
46	40142267	SDC PCB ASSY		*		1

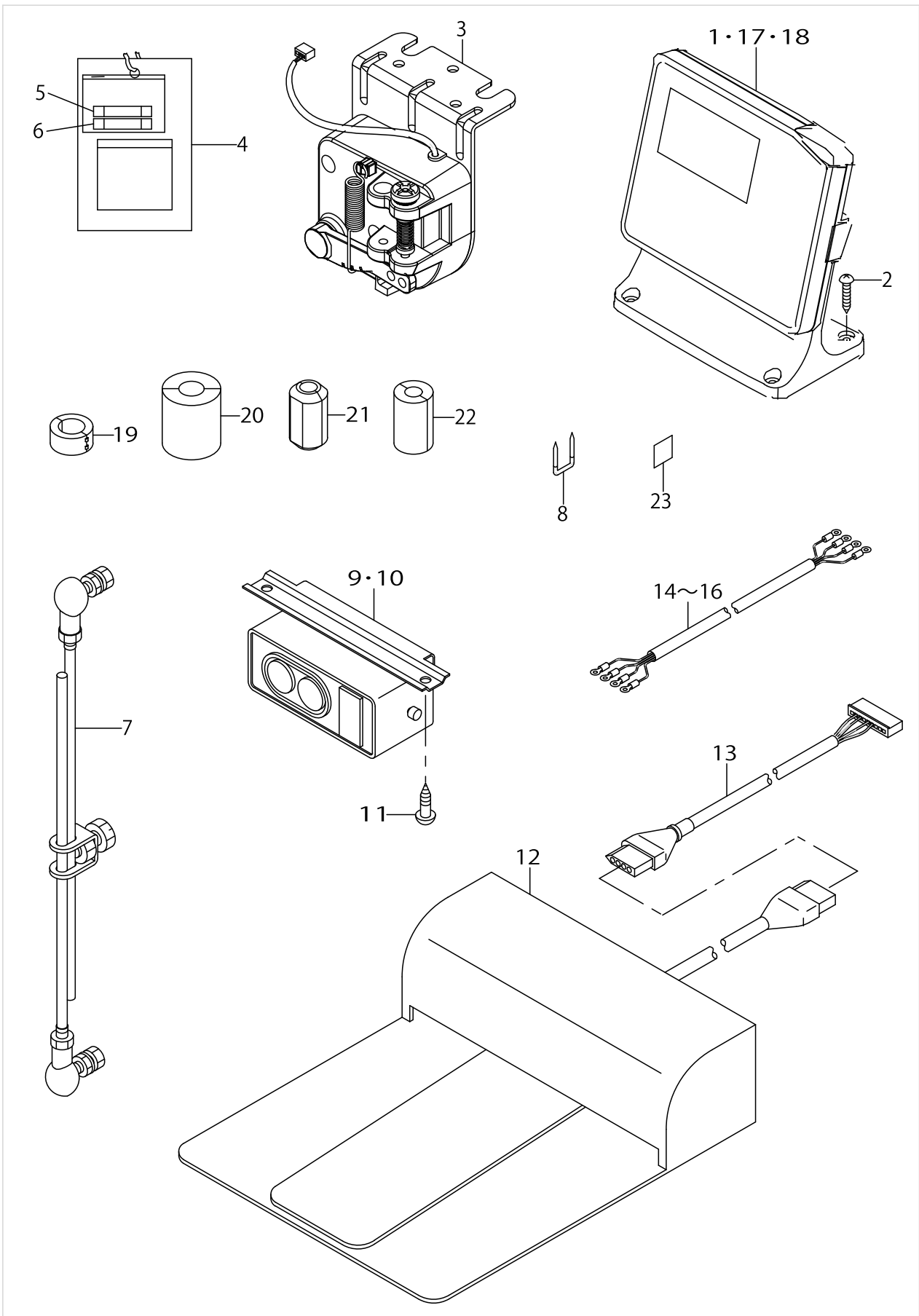
CONTROL BOX COMPONENTS



CONTROL BOX COMPONENTS

No.	Parts No.	Parts name	Remarks	Level	Cons	Qty
47	WP0430800SC	WASHER M4	FOR 3-PHASE 200~240V, 1-PHASE CE 220~240V	*		1
48	40143989	FRAME B	FOR 3-PHASE 200~240V, 1-PHASE CE 220~240V	*		1
49	40114136	COVER		*		1
50	40141488	AC_POWER_CORD_B_ASM		*		1
51	40146295	AC_POWER_CORD_C_L_ASM		*		1
52	40141487	AC POWER CORD A ASM		*		1
53	40114373	SDC-MAIN P1 CORD ASM		*		1
54	40114375	SDC-MAIN S CORD ASM		*		1
55	WP0852086SC	WASHER M8				4
56	WS0820002KR	SPRING WASHER M8				4
57	NM6080002SC	NUT M8				4
58	HF0013050P0	FUSE 5A				1
59	HF003000200	FUSE 2A (220/240V)				1
60	M300451100A	VOLTAGE INDICATION CARD A				1
61	MTSHJ100003	BOLT				4
62	40144511	CORE SET UP MANUAL	FOR 1-PHASE CE 220~240V			1

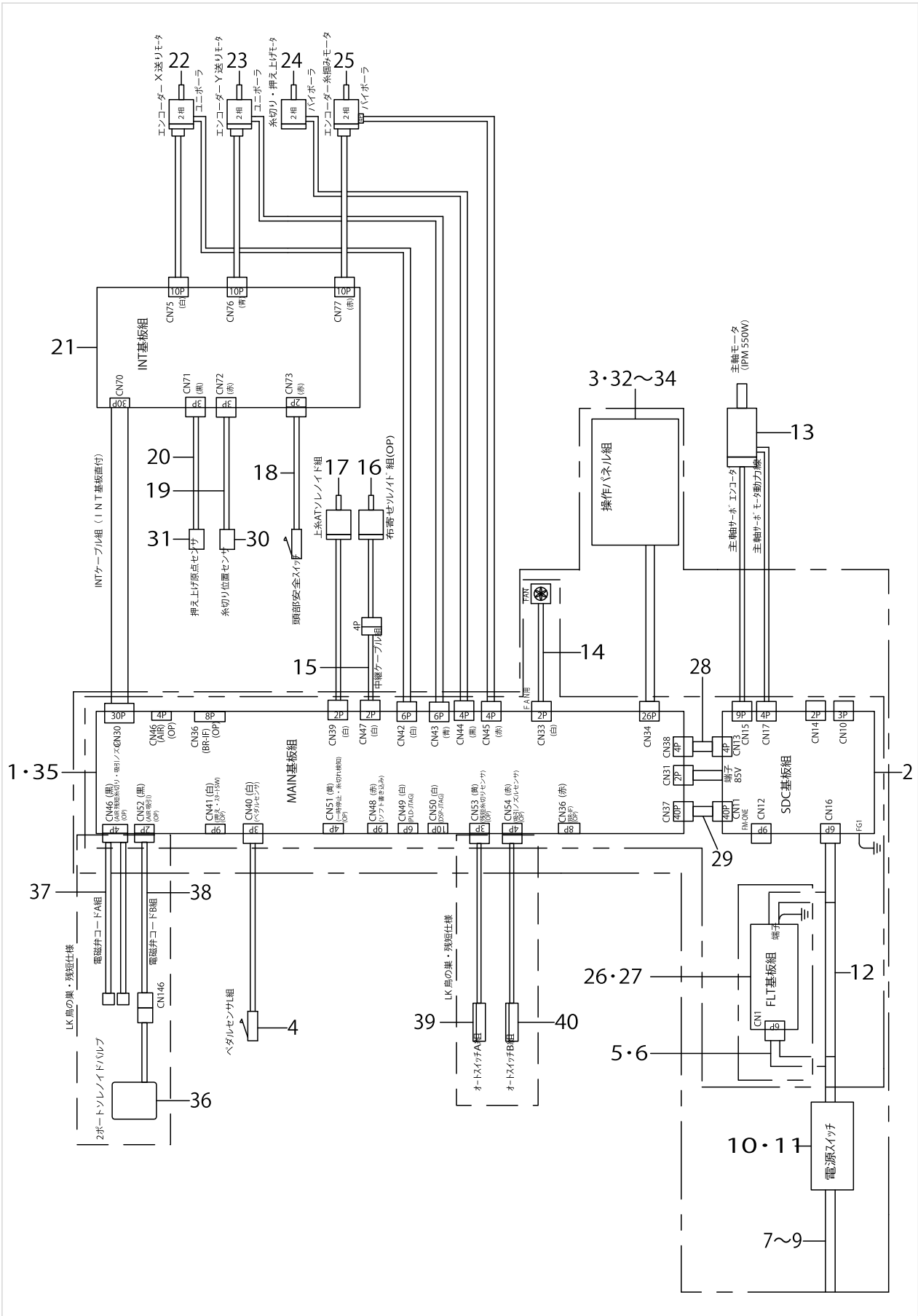
OPERATION PANEL COMPONENTS



OPERATION PANEL COMPONENTS

No.	Parts No.	Parts name	Remarks	Level	Cons	Qty
1	40142272	OPERATION BOX ASSY				1
2	SK3382001SE	SCREW D=3.8 L=20				4
3	40146296	PEDAL SENSOR L ASM				1
4	M300451100A	VOLTAGE INDICATION CARD A				1
5	HF003000200	FUSE 2A (220/240V)				1
6	HF0013050P0	FUSE 5A				1
7	40042134	CONNECING_ROD_ASSY				1
8	MAO11532000	CORD STAPLE				3
9	HA004250000	SWITCH	FOR 3-PHASE 200~240V (USE IN JAPAN & JA)			1
10	40113427	POWER SWITCH	FOR 1-PHASE 200~240V (GENERAL EXPORT & CHINA)			1
11	SK3512001SE	WOOD SCREW D=5.1 L=20				2
12	GPK570010B0	PEDAL SWITCH ASM.	OPTIONAL PARTS			1
13	M90135900A0	PK57 TRANSFER CABLE ASM.	OPTIONAL PARTS			1
14	M90175800A0	POWER CABLE ASM.	FOR 3-PHASE 200~240V (USE IN JAPAN & JA)			1
15	40005390	CE POWER CABLE ASM.	1-PHASE CE 200~240V			1
16	40023371	SINGLE PHASE POWER CORD ASSY	FOR 1-PHASE 200~240V (GENERAL EXPORT & CHINA)			1
17	40152933	PUB OPERATION BOX ASSY	FOR 3-PHASE 200~240V (USE I-N JAPAN & JA), 1-PHASE 200~-240V (GENERAL EXPORT & CHINA) MC-672			1
18	40146292	CE OPERATION BOX ASSY	FOR 1-PHASE CE 200~240V(MC-672)			1
19	HN002460000	CORES	1-PHASE CE 200~240V			2
20	HN001490000	CLAMP FILTER(L)	1-PHASE CE 200~240V			1
21	HN002840000	CORES	1-PHASE CE 200~240V			1
22	HN00149000A	CLAMP FILTER	1-PHASE CE 200~240V			1
23	CM600100101	WEEE MARK LABEL S	1-PHASE CE 200~240V			1

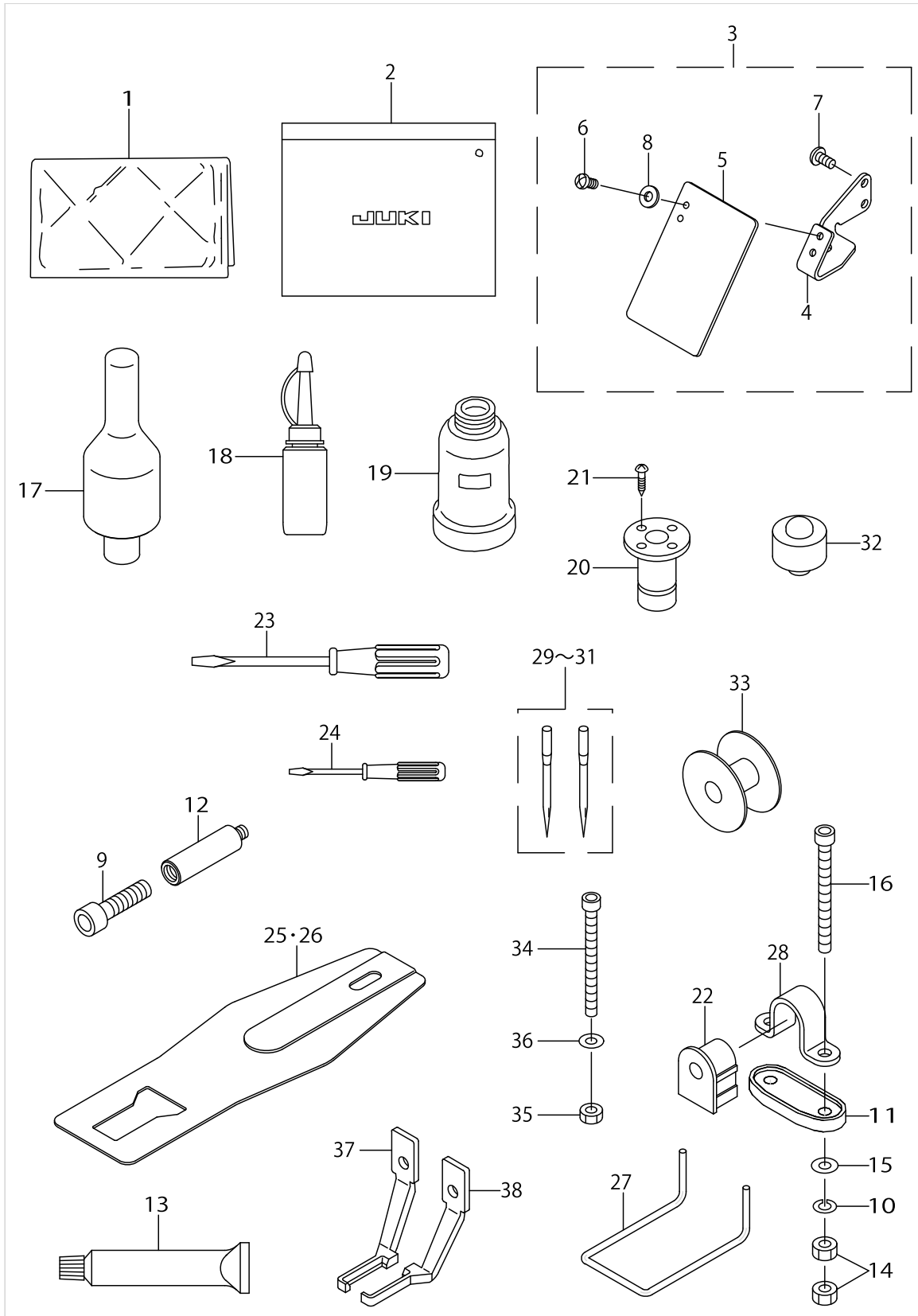
WIRING DIAGRAM



WIRING DIAGRAM

No.	Parts No.	Parts name	Remarks	Level	Cons	Qty
1	40137360	MAIN PCB ASSY				1
2	40142267	SDC PCB ASSY				1
3	40142272	OPERATION BOX ASSY				1
4	40146296	PEDAL SENSOR L ASM				1
5	40141488	AC POWER CORD B ASM.	FOR 3-PHASE 200~240V (USE IN JAPAN & JA)			1
6	40146295	AC POWER CORD C L ASM	FOR 1-PHASE CE 200~240V			1
7	M90175800A0	POWER CABLE ASM.	FOR 3-PHASE 200~240V (USE IN JAPAN & JA)			1
8	40005390	JE POWER CABLE ASM.	FOR 1-PHASE CE 200~240V			1
9	40023371	SINGLE PHASE POWER CORD ASSY	FOR 1-PHASE 200~240V (GENERAL EXPORT & CHINA)			1
10	HA004250000	SWITCH	FOR 3-PHASE 200~240V (USE IN JAPAN & JA)			1
11	40113427	POWER SWITCH	FOR 1-PHASE 200~240V (GENERAL EXPORT & CHINA)			1
12	40141487	AC POWER CORD A ASM.	FOR 1-PHASE 200~240V (GENERAL EXPORT & CHINA)			1
13	40138137	IPM550W MOTOR				1
14	40111214	FAN MOTOR ASSY				1
15	40005728	SOLENOID RELAY CABLE ASM.				1
16	40006912	SOLENOID FOR PICK UP ASM.				1
17	40142273	AT SOLENOID				1
18	40006495	SAFETY_SW_ASM.				1
19	40142747	TT SENSOR CABLE ASM.				1
20	40005732	PF SENSOR CABLE ASM.				1
21	40137370	INT PCB ASM.				1
22	40139176	X FEED MOTOR				1
23	40139177	Y FEED MOTOR				1
24	40139178	PRESSER LIFTING MOTOR				1
25	40139179	THREAD CLAMP MOTOR				1
26	40105465	FLT-T PCB ASSY	FOR 3-PHASE 200~240V (USE IN JAPAN & JA)			1
27	40145901	FLT-CE PCB ASSY	FOR 1-PHASE CE 200~240V			1
28	40114373	SDC-MAIN P1 CORD ASM.				1
29	40114375	SDC-MAIN S CORD ASM.				1
30	HD002230000	PHOTO SENSOR				1
31	HD00057000A	PHOTO SENSOR				1
32	40152933	PUB OPERATION BOX ASSY	MC-672 EXCEPT CE			1
33	40146292	CE OPERATION BOX ASSY	FOR MC-672 CE			1
34	40144886	IP-420U PANEL ASSY	FOR IP PANEL			1
35	40152920	MAIN PCB ASSY	FOR MC-672			1
36	PV120205000	2-PORT SOLENOID VALVE				1
37	40153196	AIR SOLENOID VALVE CORD A ASM				1
38	40153197	AIR SOLENOID VALVE CORD B ASM				1
39	40153194	AUTO SWITCH A ASM				1
40	40153195	AUTO SWITCH B ASM				1

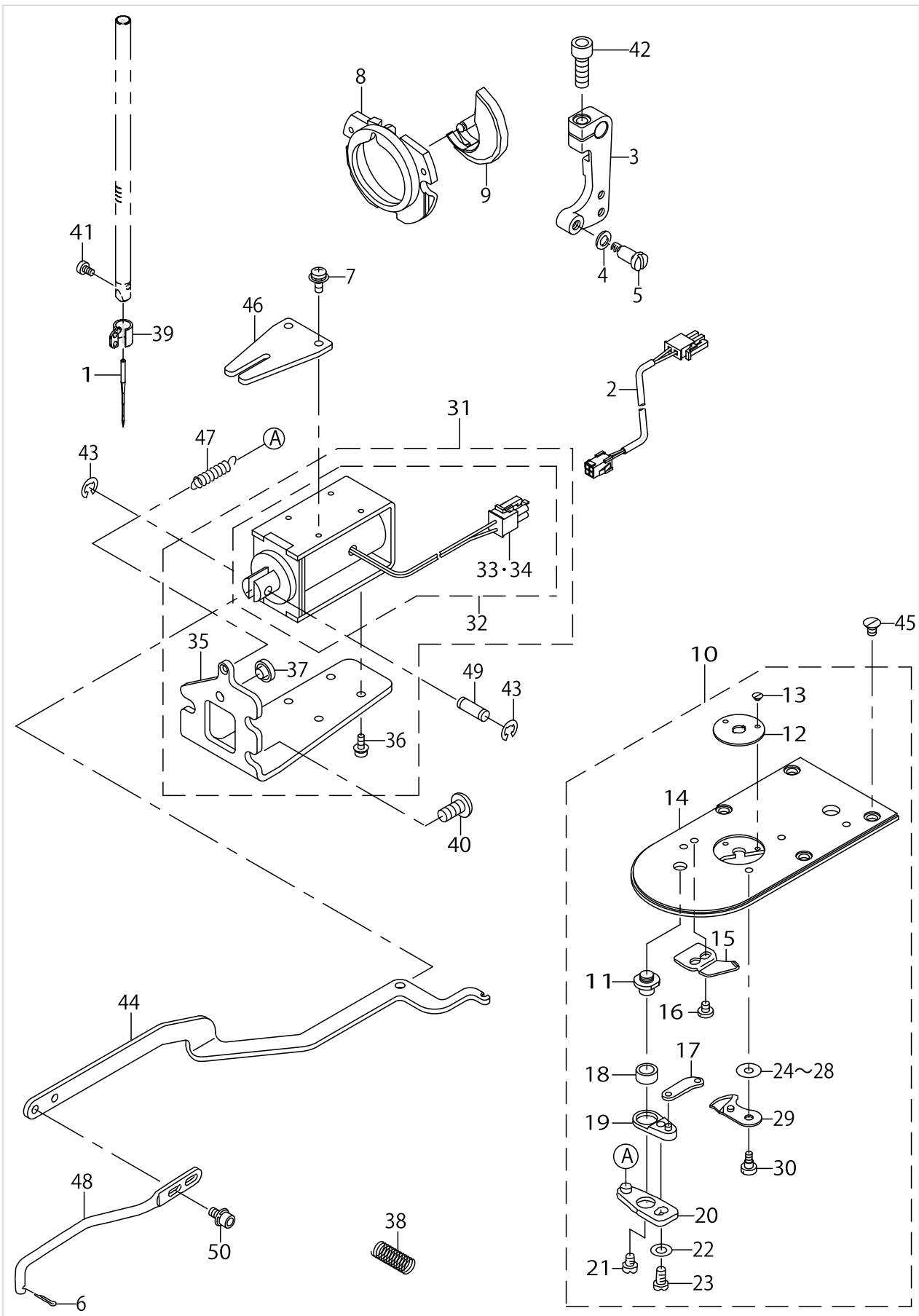
ACCESSORIE PARTS COMPONENTS



ACCESSORIE PARTS COMPONENTS

No.	Parts No.	Parts name	Remarks	Level	Cons	Qty
1	40048536	HEAD_COVER				1
2	22932800	ACCESSORIE BAG				1
3	40006484	SAFETY PLATE ASM.				1
4	40051987	SAFETY PLATE BASE		*		1
5	26037200	SAFETY PLATE		*		1
6	SM4040655SP	SCREW M4 L=6		*		2
7	SM4040855SP	SCREW		*		2
8	WP0450801SD	WASHER 4.5X10X0.8		*		2
9	SM6083002TN	SCREW M8 L=30				1
10	WS0610002KN	SPRING WASHER 6.1X12.2X1.5				4
11	40016195	BED_HINGE_RUBBER				2
12	40036110	GREASE JOINT B				1
13	40006323	JUKI GREASE A TUBE			☆	1
14	NM6060001SC	NUT M6				8
15	WP0651646SC	WASHER				4
16	SM6066002TN	BOLT M6 L=60				4
17	14101208	HEAD SUPPORT BAR				1
18	B91212200A0	OILER (CONTAINING NO.2 OIL)				1
19	B9121012000	OIL CAN				1
20	B8202205000	OIL MANAGEMENT				1
21	SK3311601SE	WOOD SCREW D=3.1 L=16				2
22	40110844	HINGE_RUBBER				2
23	22933105	SCREW DRIVER (MIDDLE)				1
24	22933204	SCREW DRIVER (SMALL)				1
25	14116503	FEED PLATE E	FOR LK-1900BF,BB			1
26	14116909	FEED PLATE I	FOR LK-1900BF(EXCEPT BB)			1
27	13573407	FINGER GUARD	FOR LK-1900BF			1
28	B1111210D00	BED HINGE				2
29	MDP500B1402	NEEDLE DPX5#14-2	FOR LK-1900BS		☆	1
30	MDP170B2102	NEEDLE DPX17#21-2	FOR LK-1900BH,BW		☆	1
31	MDP500B1102	DPX5#11-2	FOR LK-1900BF,BM		☆	1
32	40016194	FRAME_SUPPORT_RUBBER				2
33	13812102	BOBBIN			☆	1
34	SM6066002TN	BOLT M6 L=60				1
35	NM6060001SC	NUT M6				1
36	WP0651646SC	WASHER				1
37	13571906	CLOTH PRESSER FOOT (RIGHT)	FOR LK-1900BF			1
38	13572003	CLOTH PRESSER FOOT (LEFT)	FOR LK-1900BF			1

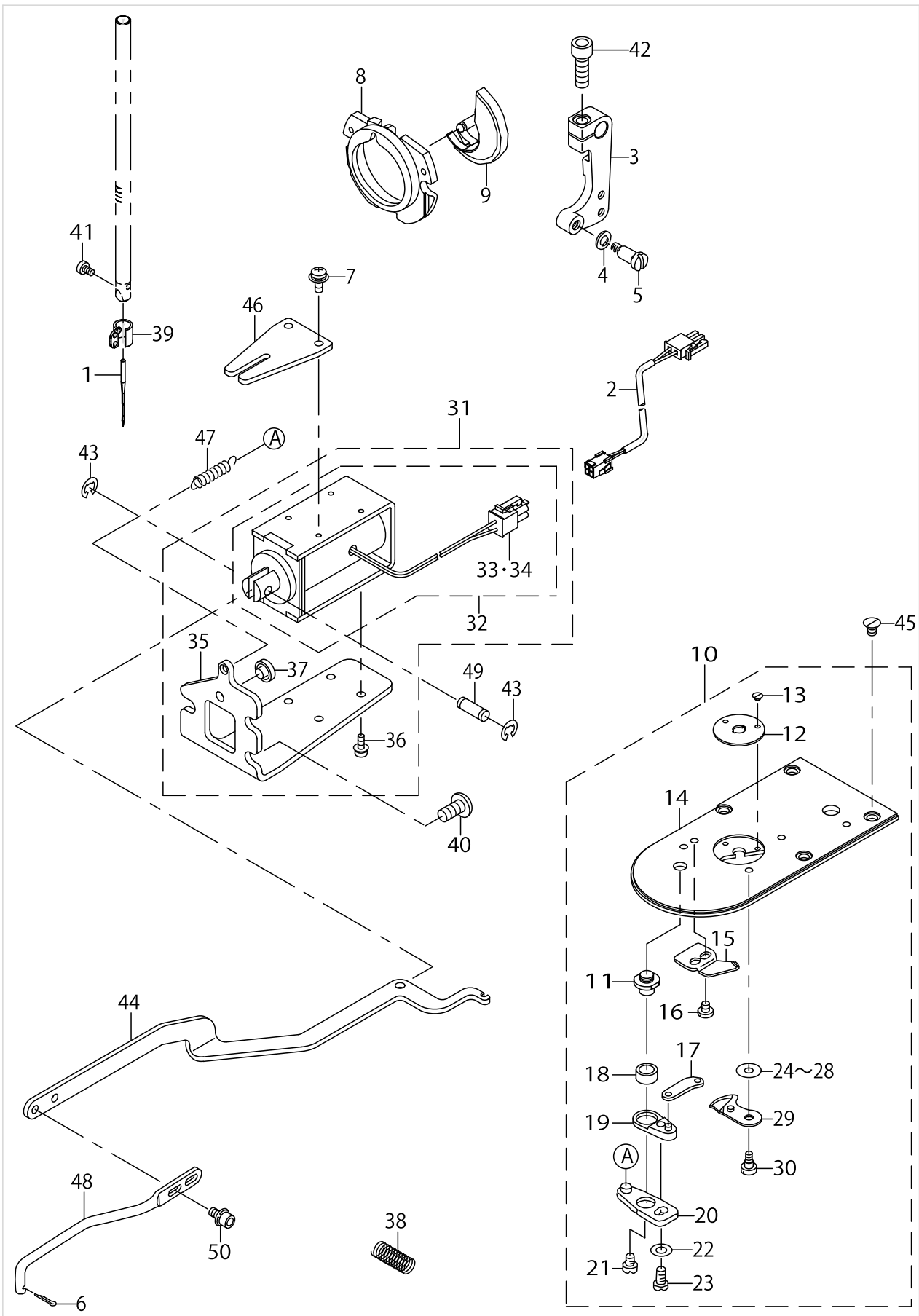
EXCLUSIVE PARTS FOR LK-1901BS (1)



EXCLUSIVE PARTS FOR LK-1901BS (1)

No.	Parts No.	Parts name	Remarks	Level	Cons	Qty
1	MDP500B1400	NEEDLE DPX5 #14			☆	1
2	40005728	SOLENOID RELAY CABLE ASM.				1
3	40011949	CONNECTING ARM B				1
4	WP0651056SH	WASHER 6.5X11X1				1
5	SD1201506TP	SHOULDER SCREW				1
6	PD02010000B	SPLIT PIN				1
7	SL4030681SC	SCREW M3 L=6				2
8	14103352	INNER HOOK PRESSER ASM. B				1
9	40110846	SHUTTLE			☆	1
10	40142720	NEEDLE PLATE ASM. A				1
11	B2417280000	THREAD CUTTER LEVER SHAFT		*		1
12	B2426280000	NEEDLE HOLE GUIDE		*	☆	1
13	SS1060210TP	SCREW 3/32-56 L=2.2		*		2
14	40142725	NEEDLE PLATE		*		1
15	B2424280000	FIXING KNIFE		*	☆	1
16	SS7090410SP	SCREW 9/64-40 L=3.5		*		1
17	B2418280000	MOVING KNIFE LINK		*		1
18	B2416280000	THREAD CUTTING LEVER RING		*		1
19	B24152800A0	THREAD CUTTER LEVER ASM. (SMALL)		*		1
20	B24142800A0	THREAD CUTTER LEVER ASM. (LARGE)		*		1
21	SS6110430TP	SCREW 11/64-40 L=4.0		*		1
22	WP0450846SP	WASHER		*		1
23	SS7110740TP	SCREW 11/64-40 L=7		*		1
24	B242328000C	MOVING KNIFE WASHER C	SELECTIVE PARTS	*		1
25	B242328000A	MOVING KNIFE WASHER A	SELECTIVE PARTS	*		1
26	B242328000B	MOVING KNIFE WASHER B	SELECTIVE PARTS	*		1
27	B242328000D	MOVING KNIFE WASHER D	SELECTIVE PARTS	*		1
28	B242328000E	MOVING KNIFE WASHER E	SELECTIVE PARTS	*		1
29	B24212800A0	MOVING KNIFE ASM.		*	☆	1
30	SD0500091TP	HINGE SCREW D=5.0 H=0.9		*		1
31	40006912	SOLENOID FOR PICK UP ASM.				1
32	14141758	SOLENOID FOR PICK-UP COMPL.		*		1
33	HK03461004A	HOUSING BLUE 4P		*		1
34	HK034640000	PIN CONTACT		*		2
35	40006913	SOLENOID INSTALLING BASE		*		1
36	SL4030881SC	SCREW M3X8		*		4
37	12258000	BUSH		*		1
38	14148407	VERTICAL FEED SHAFT SPRING				2
39	40006525	NEEDLE BAR THREAD GUIDE			☆	1
40	SM4061255SP	SCREW M6 L=12				3
41	SM6030500SN	SCREW M3 L=5			☆	1
42	SM6061802TP	SCREW M6 L=18				1
43	RC0410415KP	C-RING				2
44	40006914	WORK CLAMP CONNECTING LINK				1
45	SM1040650TP	SCREW				4
46	14142103	CONNECTING LINK GUIDE				1
47	B1657506E00	SPRING				1

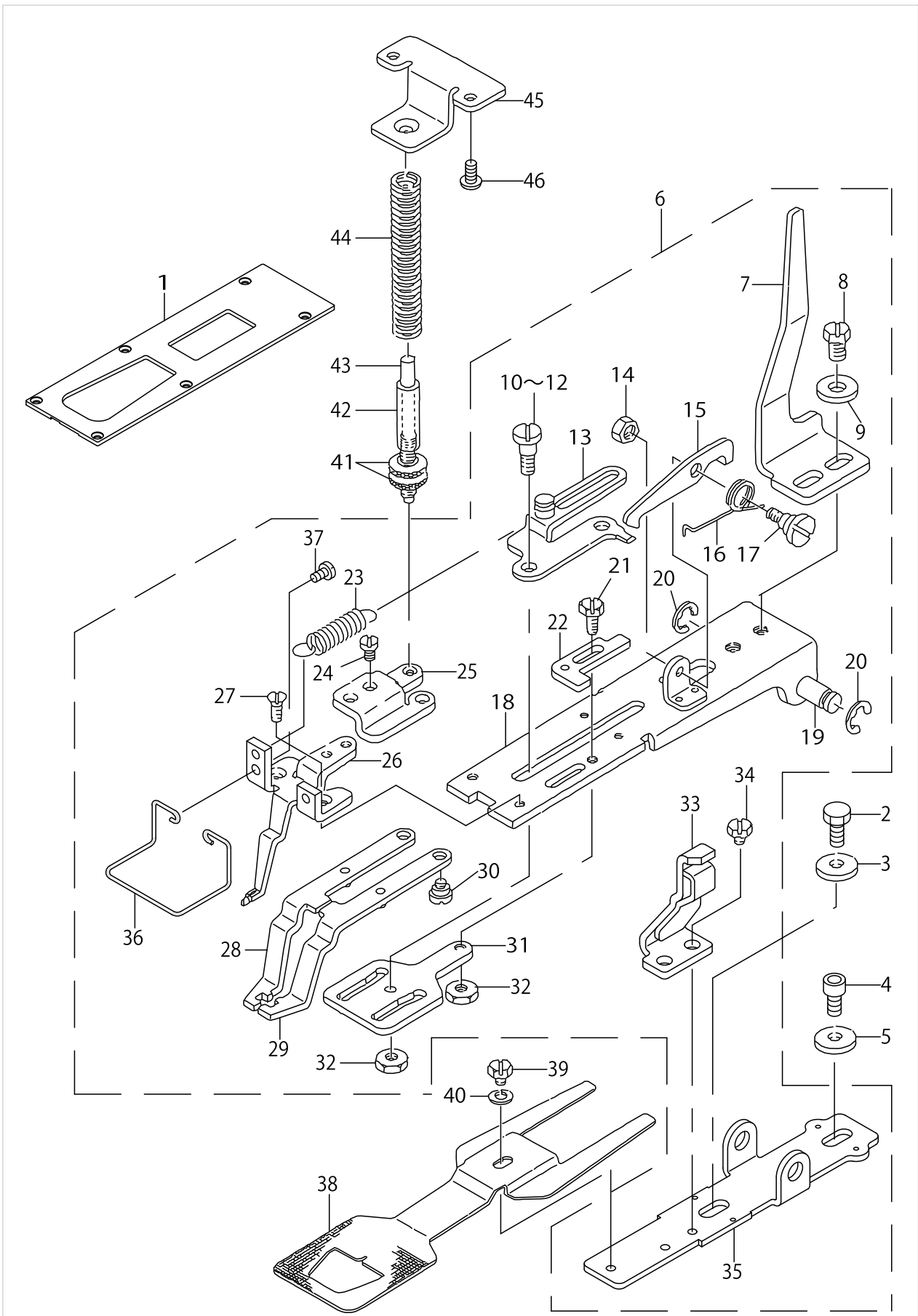
EXCLUSIVE PARTS FOR LK-1901BS (1)



EXCLUSIVE PARTS FOR LK-1901BS (1)

No.	Parts No.	Parts name	Remarks	Level	Cons	Qty
48	13540604	DRIVING BAR B				1
49	B302745000B	PIN				1
50	SL6040892TN	BOLT				2

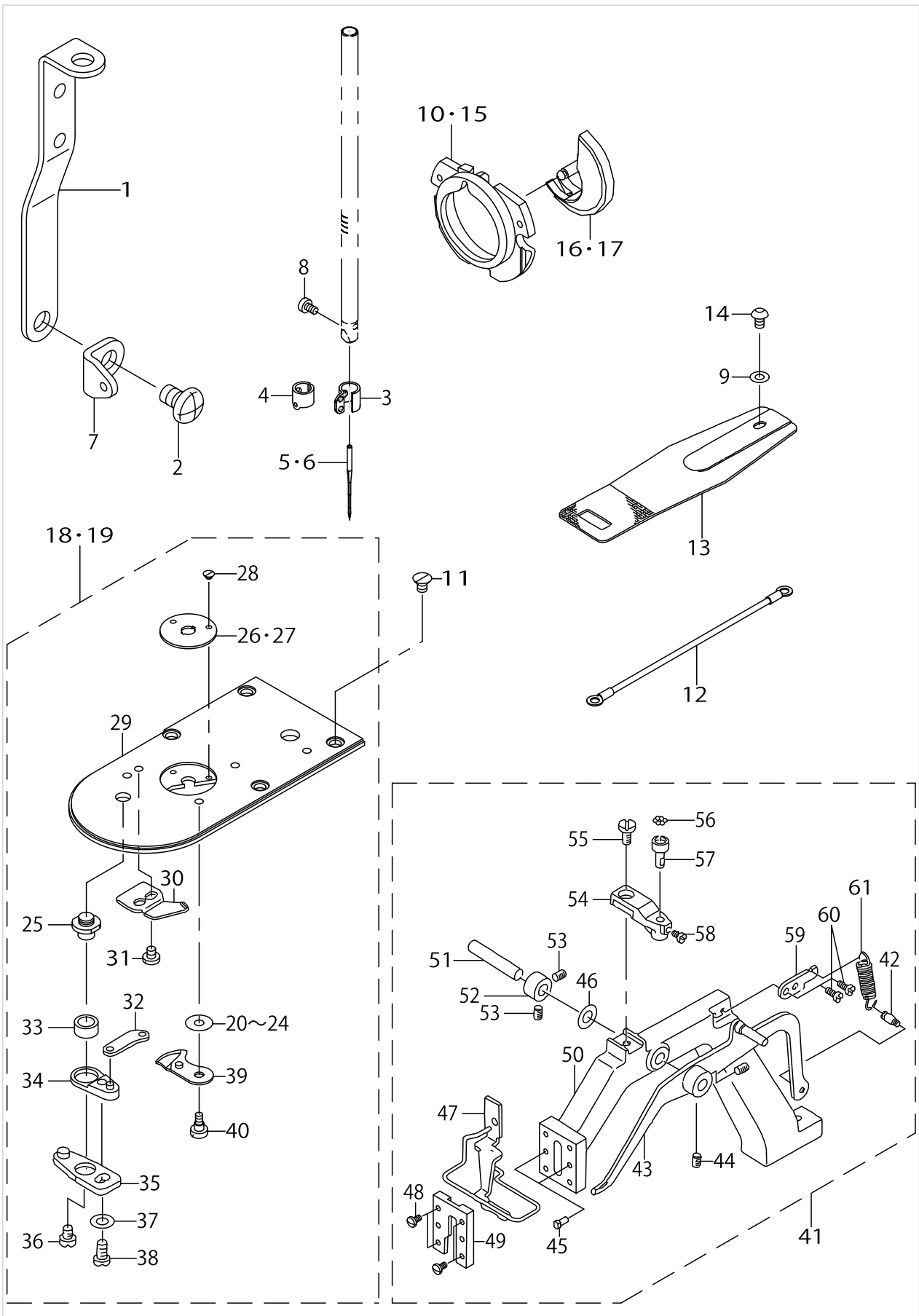
EXCLUSIVE PARTS FOR LK-1901BS (2)



EXCLUSIVE PARTS FOR LK-1901BS (2)

No.	Parts No.	Parts name	Remarks	Level	Cons	Qty
1	40006935	CLOTH FEED PRESSER PLATE B				1
2	SM9061403CP	SCREW M6 L=14				1
3	WP0612516SD	WASHER 6.1X15.2X2.5				1
4	SM6061202TP	SCREW M6 L=12				1
5	WP0612516SD	WASHER 6.1X15.2X2.5				1
6	14140255	WORK CLAMP FOOT BRACKET COMPL.				1
7	13541404	WORK CLAMP FOOT LIFTING PLATE		*		1
8	SS9151120CP	SCREW 15/64-28 L=11		*		2
9	WP0612516SD	WASHER 6.1X15.2X2.5		*		2
10	D2545232D0A	HINGE SCREW	SELECTIVE PARTS	*		2
11	D2545232D0B	HINGE SCREW	SELECTIVE PARTS	*		2
12	D2545232D0C	HINGE SCREW	SELECTIVE PARTS	*		2
13	14141055	PULLING PLATE COMPL.		*		1
14	NS6110530SP	NUT 11/64-40		*		1
15	14141105	FIXING HOOK		*		1
16	D2512232D00	TORSION SPRING		*		1
17	D2511232D00	SCREW		*		1
18	14140354	INSTALLING BASE COMPL.		*		1
19	14141402	INSTALLING SHAFT		*		1
20	RE0700000K0	E-RING 7		*		2
21	SS9110920CP	SCREW 11/64-40 L=9		*		1
22	14140909	ADJUSTING PLATE		*		1
23	D2515232D00	TORSION SPRING		*		1
24	SS7110510SP	SCREW 11/64-40 L=5		*		2
25	13541107	WORK CLAMP FOOT SPRING HOLDER		*		1
26	14140552	PICK-UP GUIDE COMPL.		*		1
27	SS1110640TP	SCREW 11/64-40 L=5.5		*		2
28	D2520232DA0	WORK CLAMP FOOT ASM. (LEFT)		*		1
29	D2521232DA0	WORK CLAMP FOOT ASM. (RIGHT)		*		1
30	SD0550271TP	HINGE SCREW D=5.50 H=2.7		*		2
31	14141204	PLATE CAM		*		1
32	NS6120480SP	NUT 3/16-28		*		2
33	14140750	PREVENTING PLATE COMPL.		*		1
34	SS9110460CP	SCREW 11/64-40 L=4		*		2
35	14140206	PICK-UP INSTALLING BASE		*		1
36	14141501	FINGER GUARD		*		1
37	SS7090610SP	SCREW 9/64-40 L=6		*		2
38	13541503	FEED PLATE				1
39	SS9110460CP	SCREW 11/64-40 L=4				1
40	WP0501016SD	WASHER 5X10.5X1				1
41	B3117352000	THREAD TENSION POST NUT				2
42	D2527232D00	SLEEVE				1
43	D2528232D00	SHAFT				1
44	D2529232D00	PRESSER SPRING				1
45	13541602	WORK CLAMP FOOT SPRING HOLDER				1
46	SM5040855SN	SCREW				2

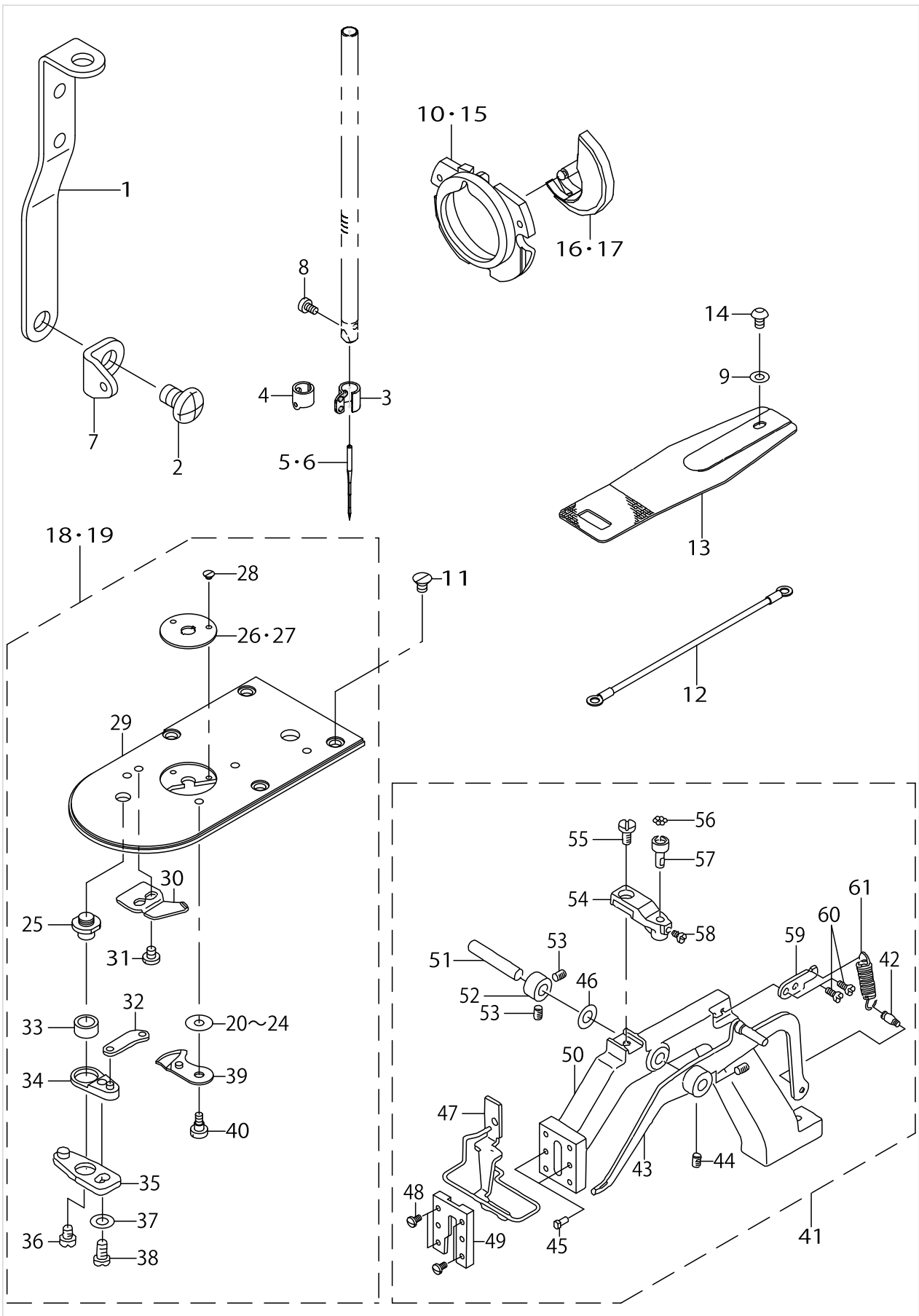
EXCLUSIVE PARTS FOR LK-1902BS,LK-1902BH



EXCLUSIVE PARTS FOR LK-1902BS,LK-1902BH

No.	Parts No.	Parts name	Remarks	Level	Cons	Qty
1	B1114581000	THREAD GUIDE PLATE				1
2	SM4061255SP	SCREW M6 L=12				1
3	40006525	NEEDLE BAR THREAD GUIDE	FOR LK-1902BS		☆	1
4	D1405L7AM00	NEEDLE BAR THREAD GUIDE	FOR LK-1902BH		☆	1
5	MDP500B1400	NEEDLE DPX5 #14	FOR LK-1902BS		☆	1
6	MDP170B2100	NEEDLE DPX17 #21	FOR LK-1902BH		☆	1
7	13786306	THREAD GUIDE NO.1				1
8	SM6030500SN	SCREW M3 L=5			☆	1
9	WP0621016SD	WASHER 6.2X13X1				1
10	14103352	INNER HOOK PRESSER ASM. B	FOR LK-1902BS			1
11	SM1040650TP	SCREW				4
12	40005712	EARTH CORD ASM.				1
13	14143002	FEED PLATE				1
14	SM3061052TP	SCREW M6 L=10				1
15	14103659	SHUTTLE RACE RING ASM. C	FOR LK-1902BH			1
16	40110846	SHUTTLE	FOR LK-1902BS		☆	1
17	40112995	SHUTTLE(H)	FOR LK-1902BH		☆	1
18	40142720	NEEDLE PLATE ASM A	FOR LK-1902BS			1
19	40142721	NEEDLE PLATE ASM H	FOR LK-1902BH			1
20	B242328000C	MOVING KNIFE WASHER C	SELECTIVE PARTS	*		1
21	B242328000A	MOVING KNIFE WASHER A	SELECTIVE PARTS	*		1
22	B242328000B	MOVING KNIFE WASHER B	SELECTIVE PARTS	*		1
23	B242328000D	MOVING KNIFE WASHER D	SELECTIVE PARTS	*		1
24	B242328000E	MOVING KNIFE WASHER E	SELECTIVE PARTS	*		1
25	B2417280000	THREAD CUTTER LEVER SHAFT		*		1
26	B2426280000	NEEDLE HOLE GUIDE	FOR LK-1902BS	*	☆	1
27	14109607	NEEDLE HOLE GUIDE	FOR LK-1902BH	*	☆	1
28	SS1060210TP	SCREW 3/32-56 L=2.2		*		2
29	40142725	NEEDLE PLATE		*		1
30	B2424280000	FIXING KNIFE		*	☆	1
31	SS7090410SP	SCREW 9/64-40 L=3.5		*		2
32	B2418280000	MOVING KNIFE LINK		*		1
33	B2416280000	THREAD CUTTING LEVER RING		*		1
34	B24152800A0	THREAD CUTTER LEVER ASM. (SMALL)		*		1
35	B24142800A0	THREAD CUTTER LEVER ASM. (LARGE)		*		1
36	SS6110430TP	SCREW 11/64-40 L=4.0		*		1
37	WP0450846SP	WASHER		*		1
38	SS7110740TP	SCREW 11/64-40 L=7		*		1
39	B24212800A0	MOVING KNIFE ASM.		*	☆	1
40	SD0500091TP	HINGE SCREW D=5.0 H=0.9		*		1
41	40090012	CLOTH FEED BASE ASM.				1
42	26229302	SUSPENSION SCREW		*		1
43	13544051	LIFTING LEVER ASM.		*		1
44	SS8150822TP	SCREW 15/64-28 L=8		*		2
45	B1816280000	GUIDE PIN		*		2
46	40090011	WASHER D		*		1
47	13544465	CLOTH PRESSER FOOT ASM.		*		1

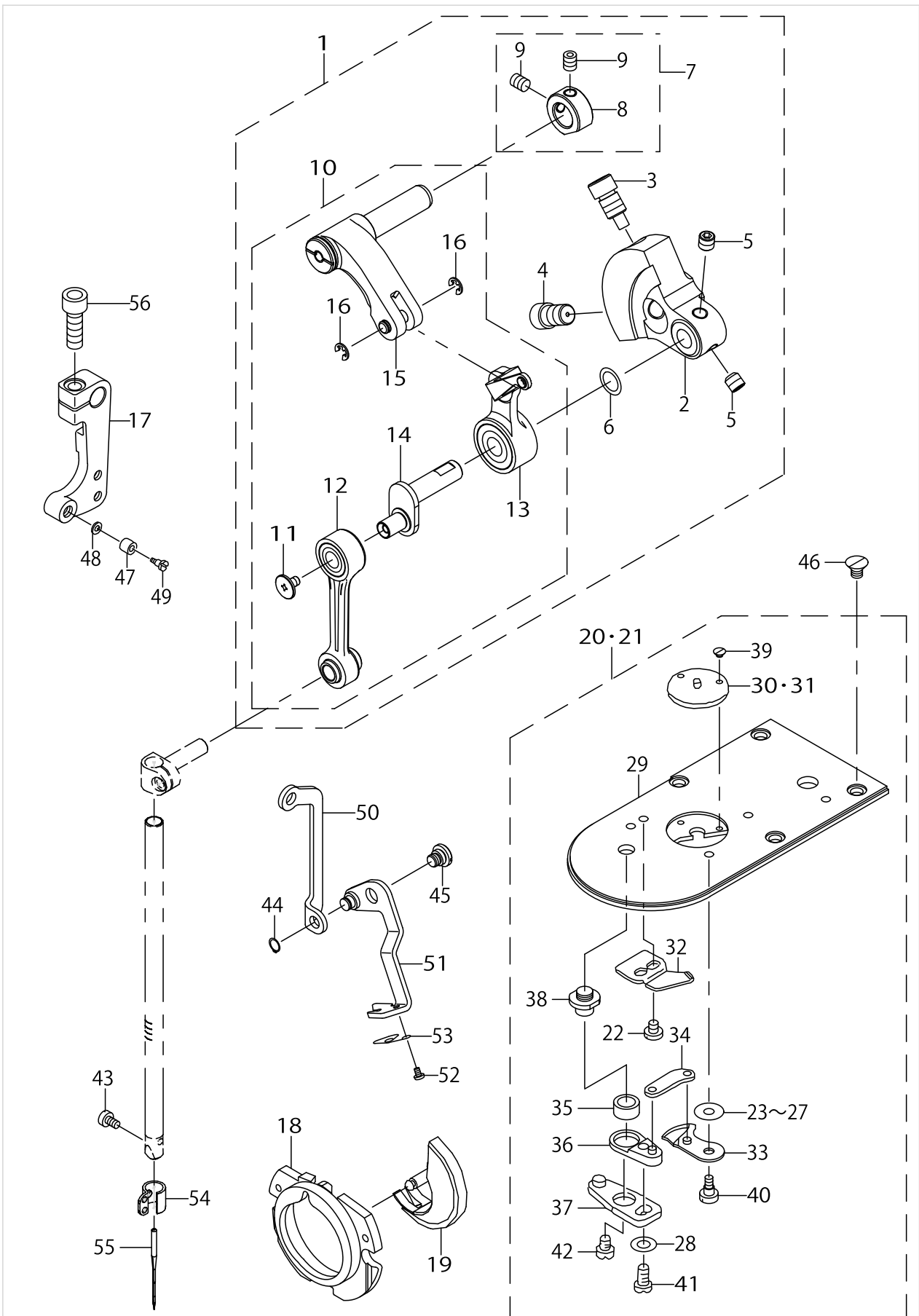
EXCLUSIVE PARTS FOR LK-1902BS,LK-1902BH



EXCLUSIVE PARTS FOR LK-1902BS,LK-1902BH

No.	Parts No.	Parts name	Remarks	Level	Cons	Qty
48	SS7120910TP	SCREW 3/16-28 L=9		*		4
49	13544614	CLOTH FEED BASE COVER		*		1
50	13543715	CLOTH FEED BASE		*		1
51	40089982	LIFTING LEVER SHAFT D		*		1
52	40090010	THRUST COLLAR D		*		1
53	SM8060612TP	SCREW M6 L=6		*		2
54	13543806	BALL HOLDER		*		1
55	SS7151210SP	SCREW 15/64-28 L=12		*		1
56	B2549280000	WORK CLAMP FOOT MOUNTING BASE BALL		*		7
57	26224808	BALL RETAINER		*		1
58	SS7110740TP	SCREW 11/64-40 L=7		*		1
59	13543905	SPRING SUSPENSION		*		1
60	SS6120940SP	SCREW 3/16-28 L=9		*		2
61	13544705	SPRING		*		1

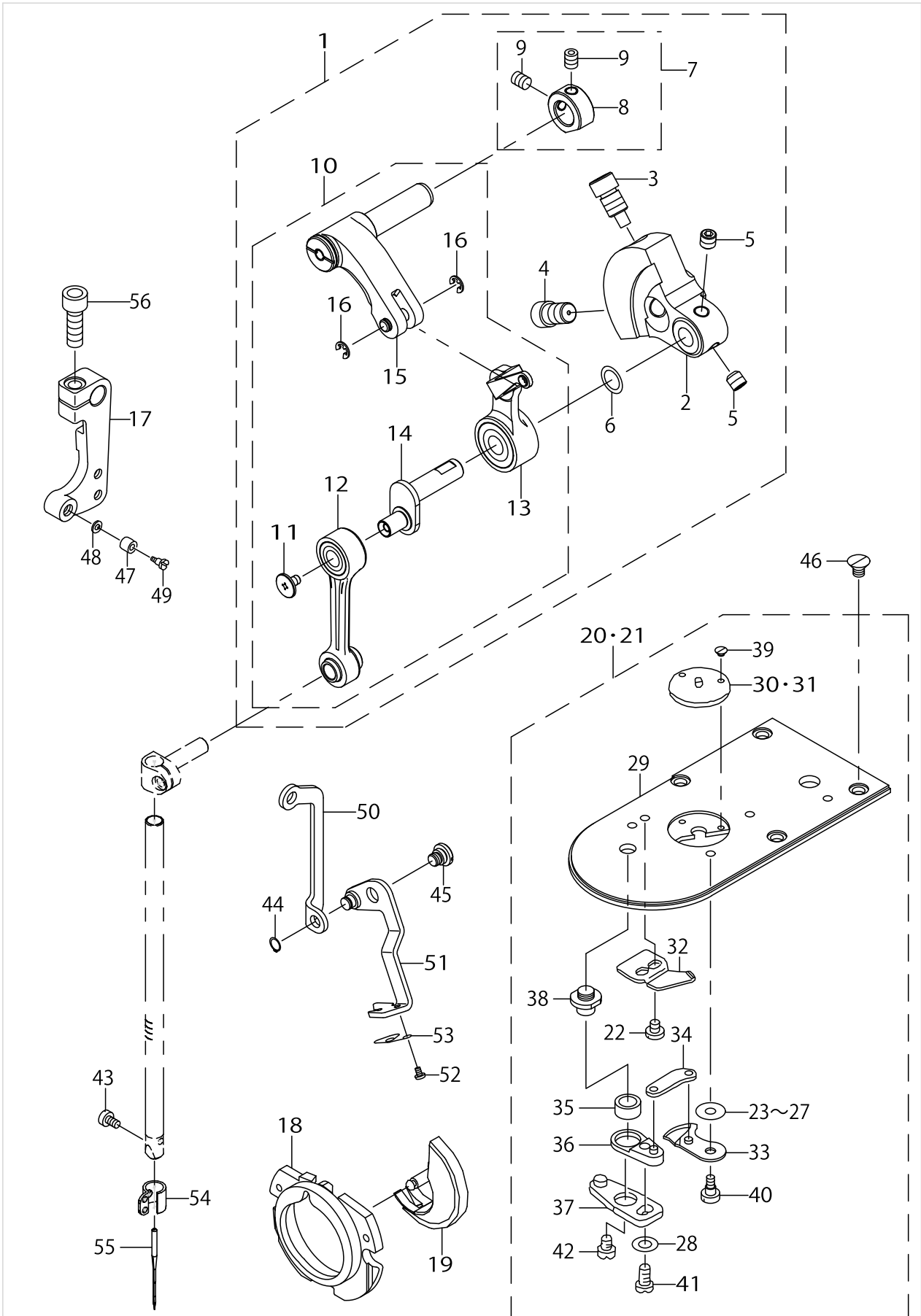
EXCLUSIVE PARTS FOR LK-1903BS-301,LK-1903BS-302(1)



EXCLUSIVE PARTS FOR LK-1903BS-301,LK-1903BS-302(1)

No.	Parts No.	Parts name	Remarks	Level	Cons	Qty
1	40142785	COUNTER_WEIGHT_COMPL_3				1
2	40142691	COUNTER_WEIGHT		*		1
3	40010424	COUNTER_WEIGHT_SCREW_A		*		1
4	40010425	COUNTER_WEIGHT_SCREW_B		*		1
5	40010426	COUNTER_WEIGHT_SCREW_C		*		1
6	WP0820516SP	WASHER 11.6X8.2X0.6		*		1
7	40110841	THRUST_COLLAR_ASM.		*		1
8	40110842	THRUST_COLLAR		*		1
9	SM80506A2TP	SCREW M5 L=6		*		2
10	40142786	THREAD_TAKE_UP_COMPL_3		*		1
11	40142701	LEFT_HAND_SCREW		*		1
12	40142697	NEEDLE_BAR_CRANK_ROD_COMPL.		*		1
13	40142787	THREAD_TAKE_UP_ASM_3		*		1
14	40142790	NEEDLE_BAR_CRANK_3		*		1
15	40142807	TAKE_UP_CRANK_ASM_3		*		1
16	RE0300000K0	E-RING 3		*		2
17	40011949	CONNECTING ARM B				1
18	14103352	INNER HOOK PRESSER ASM. B				1
19	40110846	SHUTTLE			☆	1
20	40142723	NEEDLE PLATE ASM. M	FOR LK-1903BS-301			1
21	40142724	NEEDLE PLATE ASM. K	FOR LK-1903BS-302			1
22	SS7090410SP	SCREW 9/64-40 L=3.5		*		2
23	B242328000A	MOVING KNIFE WASHER A	SELECTIVE PARTS	*		1
24	B242328000B	MOVING KNIFE WASHER B	SELECTIVE PARTS	*		1
25	B242328000C	MOVING KNIFE WASHER C	SELECTIVE PARTS	*		1
26	B242328000D	MOVING KNIFE WASHER D	SELECTIVE PARTS	*		1
27	B242328000E	MOVING KNIFE WASHER E	SELECTIVE PARTS	*		1
28	WP0450846SP	WASHER		*		1
29	40142725	NEEDLE PLATE		*		1
30	MAZ15801000	GUIDE	FOR LK-1903BS-301	*	☆	1
31	MAZ15601000	GUIDE	FOR LK-1903BS-302	*	☆	1
32	B2424280000	FIXING KNIFE		*	☆	1
33	B24212800A0	MOVING KNIFE ASM.		*	☆	1
34	B2418280000	MOVING KNIFE LINK		*		1
35	B2416280000	THREAD CUTTING LEVER RING		*		1
36	B24152800A0	THREAD CUTTER LEVER ASM. (SMALL)		*		1
37	B24142800A0	THREAD CUTTER LEVER ASM. (LARGE)		*		1
38	B2417280000	THREAD CUTTER LEVER SHAFT		*		1
39	SS1060210TP	SCREW 3/32-56 L=2.2		*		2
40	SD0500091TP	HINGE SCREW D=5.0 H=0.9		*		1
41	SS7110740TP	SCREW 11/64-40 L=7		*		1
42	SS6110430TP	SCREW 11/64-40 L=4.0		*		1
43	SM6030500SN	SCREW M3 L=5			☆	1
44	RC0470611KP	RETAINING RING 4.7				1
45	SD0640216TP	SHOULDER SCREW				1
46	SM1040650TP	SCREW				4
47	B2619372000	STOP MOTION TRIPPING LEVER CAM				1

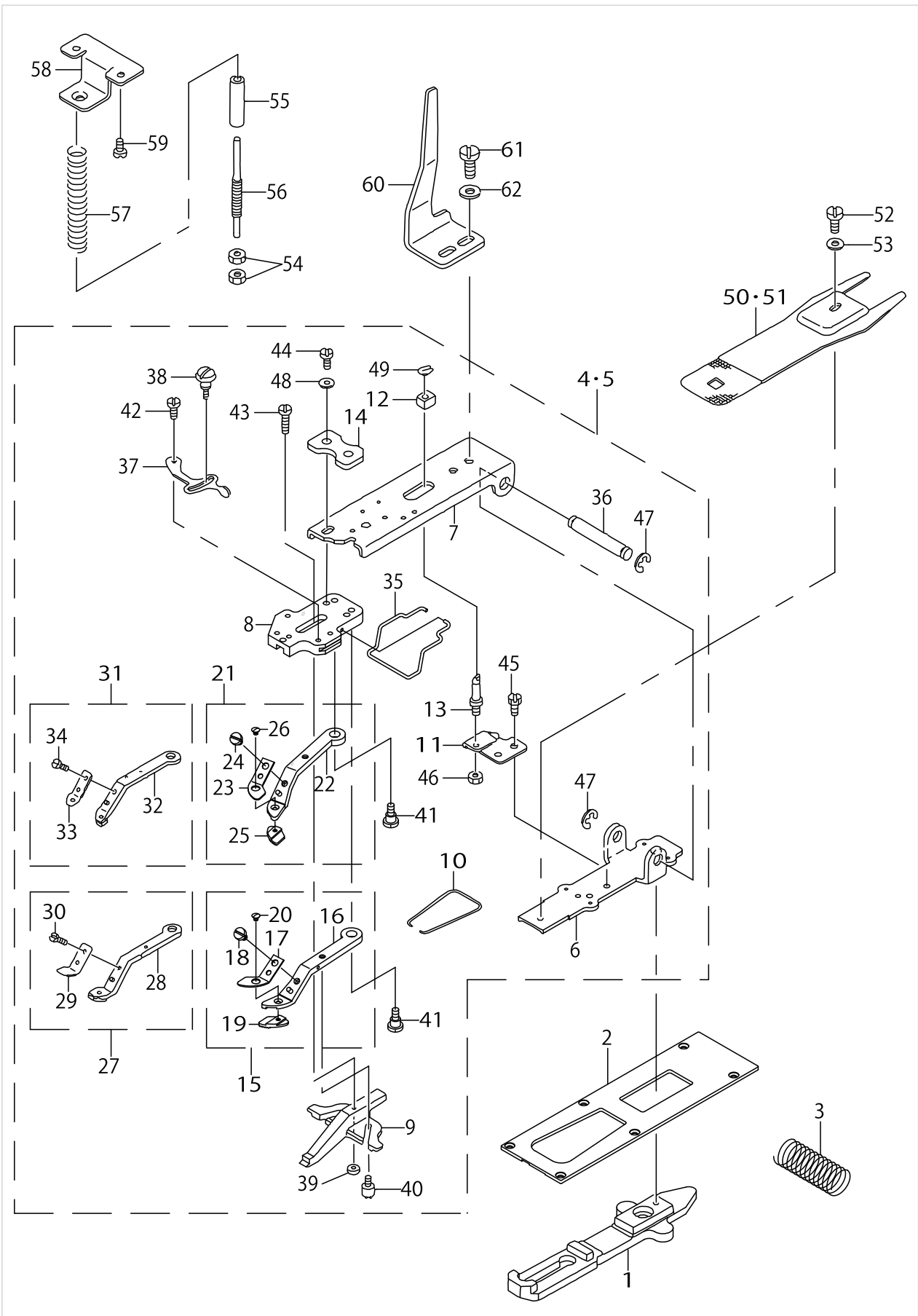
EXCLUSIVE PARTS FOR LK-1903BS-301,LK-1903BS-302(1)



EXCLUSIVE PARTS FOR LK-1903BS-301,LK-1903BS-302(1)

No.	Parts No.	Parts name	Remarks	Level	Cons	Qty
48	B185351200E	HOOK SHAFT WASHER				1
49	SD0791276TP	SHOULDER SCREW				1
50	40006937	WIPER CONNECTING PLATE B				1
51	40033047	WIPER ASM.				1
52	SS5060310SP	SCREW 3/32-56 L=2.8				2
53	40009860	WIPER THREAD CATCH SPRING			☆	1
54	40006525	NEEDLE BAR THREAD GUIDE			☆	1
55	MDP170B1400	NEEDLE DPX17 #14			☆	1
56	SM6061802TP	SCREW M6 L=18				1

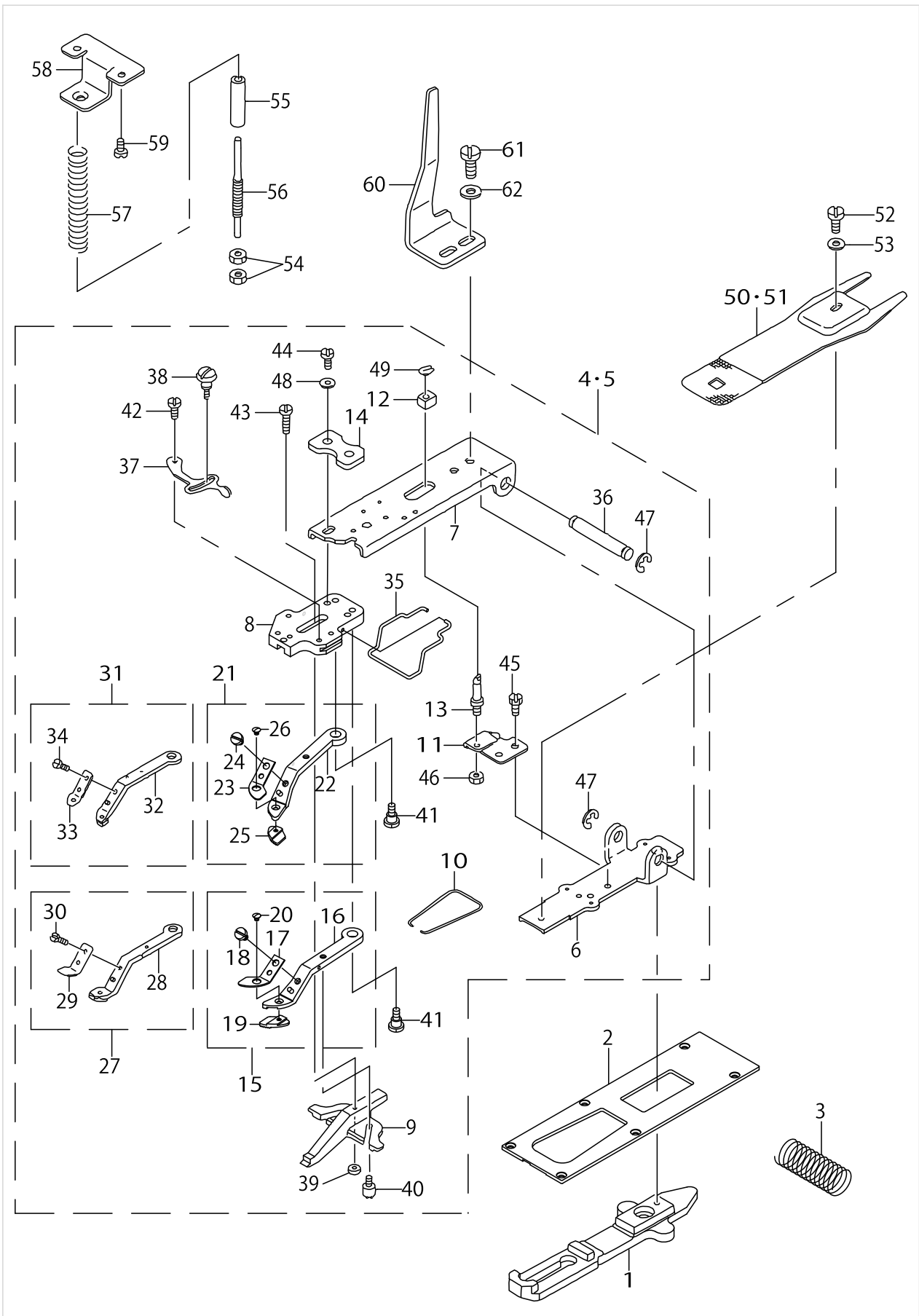
EXCLUSIVE PARTS FOR LK-1903BS-301,LK-1903BS-302(2)



EXCLUSIVE PARTS FOR LK-1903BS-301,LK-1903BS-302(2)

No.	Parts No.	Parts name	Remarks	Level	Cons	Qty
1	14145106	CLOTH FEED PLATE				1
2	40006935	CLOTH FEED PRESSER PLATE B				1
3	14148407	VERTICAL FEED SHAFT SPRING				1
4	14145858	VERY SMALL CLAMP MECHANISM ASM.	FOR LK-1903BS-301			1
5	14145650	MEDIUM CLAMP MECHANISM ASM.	FOR LK-1903BS-302			1
6	14146104	PICK-UP INSTALLING BASE		*		1
7	14146203	PICK-UP FOOT INSTALLING BASE		*		1
8	14146302	PICK-UP FOOT INSTALLING BASE		*		1
9	B2552372000	BUTTON CLAMP SLIDE		*		1
10	MAZ15513000	BUTTON CLAMP JAW LEVER SPRING		*		1
11	MAZ15514000	SUPPORT PLATE		*		1
12	MAZ15515000	SLIDE BLOCK		*		1
13	13540901	STATIONING BLOCK SHAFT		*		1
14	14146401	PRESSER PLATE		*		1
15	14149058	MIDDLECLAMPJAWLEVERASM.(RIGHT)	FOR LK-1903BS-302	*		1
16	MAZ15507000	SMALL CLAMP JAW LEVER ASM. (LEFT)		*		1
17	MAZ15509000	SPRING RIGHT		*		1
18	SS7090410SP	SCREW 9/64-40 L=3.5		*		1
19	14149009	PLATE L (RIGHT)		*		1
20	SS2060310SP	SCREW 3/32-56 L=3		*		1
21	14149157	MIDDLE CLAMP JAW LEVER ASM. (LEFT)	FOR LK-1903BS-302	*		1
22	MAZ15508000	SMALL CLAMP JAW LEVER (LEFT)		*		1
23	MAZ15510000	SPRING (LEFT)		*		1
24	SS7090410SP	SCREW 9/64-40 L=3.5		*		1
25	14149108	PLATE L (LEFT)		*		1
26	SS2060310SP	SCREW 3/32-56 L=3		*		1
27	MAZ158070BB	EXTRA SMALL CLAMP LEVER ASM. (LEFT)	FOR LK-1903BS-301	*		1
28	MAZ158070AB	EXTRA SMALL CLAMP LEVER ASM. (LEFT)		*		1
29	MAZ15809000	SPRING (RIGHT)		*		1
30	SS7090410SP	SCREW 9/64-40 L=3.5		*		1
31	MAZ158080BB	EXTRA SMALL CLAMP LEVER ASM. (LEFT)	FOR LK-1903BS-301	*		1
32	MAZ158080AB	EXTRA SMALL CLAMP LEVER ASM. (LEFT)		*		1
33	MAZ15810000	SPRING (LEFT)		*		1
34	SS7090410SP	SCREW 9/64-40 L=3.5		*		1
35	D3130M1YC00	FINGER GUARD		*		1
36	14141402	INSTALLING SHAFT		*		1
37	B2548372000	SNAP FASTENER CLAMP STOP LEVER		*		1
38	B2549372000	CLAMP SCREW A		*		1
39	B2553372000	NUT		*		1
40	B2560372000	BUTTON CLAMP STOP PIN		*		2
41	SD0640391TP	HINGE SCREW D=6.35 H=3.9		*		2
42	SD0550181SP	HINGE SCREW D=5.50 H=1.8		*		1
43	SD0550301SP	HINGE SCREW D=5.5 H=3		*		1
44	SS9621413SP	SCREW 3/16-32 L=13.5		*		2
45	SS9110460CP	SCREW 11/64-40 L=4		*		2
46	NS6150310SP	NUT 15/64-28		*		1
47	RE0700000K0	E-RING 7		*		2

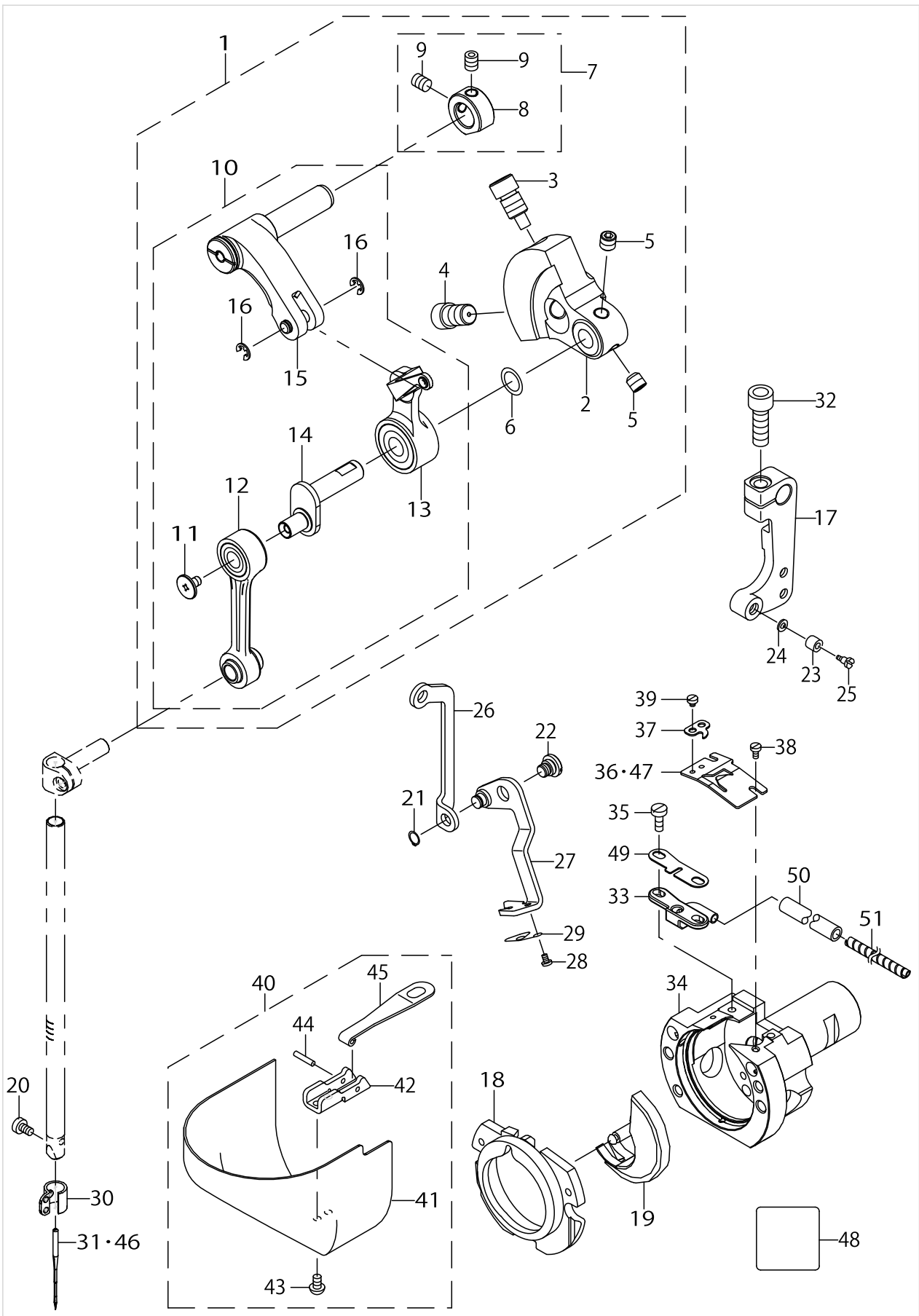
EXCLUSIVE PARTS FOR LK-1903BS-301,LK-1903BS-302(2)



EXCLUSIVE PARTS FOR LK-1903BS-301,LK-1903BS-302(2)

No.	Parts No.	Parts name	Remarks	Level	Cons	Qty
48	WP0501016SD	WASHER 5X10.5X1		*		2
49	D2548232D00	SNAP RING FOR CONNECTING ROD		*		1
50	MAZ15502000	PRESSURE PLATE	FOR LK-1903BS-301			1
51	MAZ15602000	PRESSURE PLATE	FOR LK-1903BS-302			1
52	SS9110543CP	SCREW 11/64-40 L=5.3				1
53	WP0501016SD	WASHER 5X10.5X1				1
54	22928808	NUT				2
55	D2527232D00	SLEEVE				1
56	14146906	ADJUSTING SHAFT				1
57	13812003	PRESSURE SPRING				1
58	13811906	ACCEPT PLATE (UPPER)				1
59	SM5040855SN	SCREW				2
60	MAZ15516000	MOVING PLATE				1
61	SS9151120CP	SCREW 15/64-28 L=11				2
62	WP0612516SD	WASHER 6.1X15.2X2.5				2

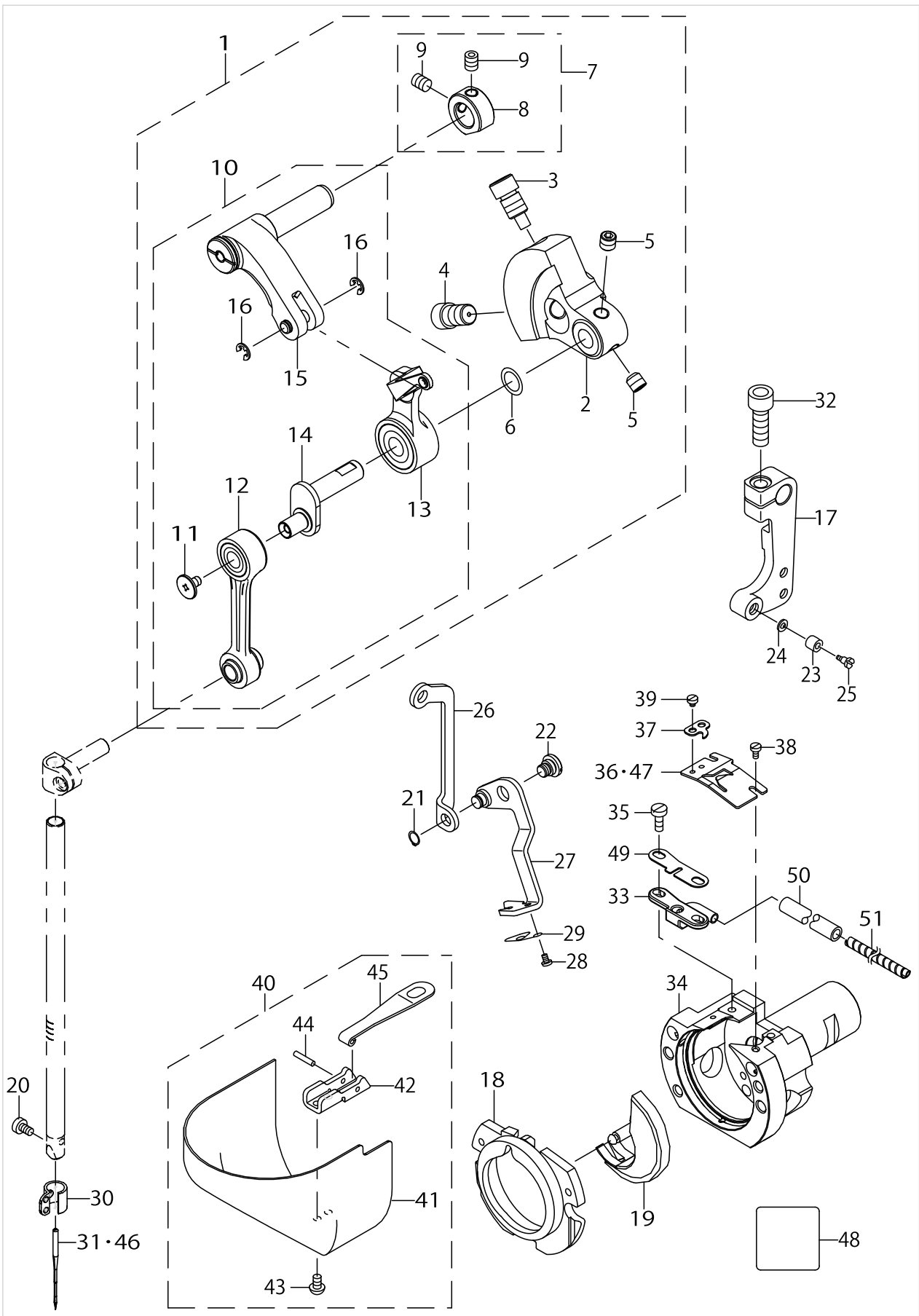
EXCLUSIVE PARTS FOR LK-1903B-BS-301,LK-1900B-BS,LK-1900B-BF(1)



EXCLUSIVE PARTS FOR LK-1903B-BS-301,LK-1900B-BS,LK-1900B-BF(1)

No.	Parts No.	Parts name	Remarks	Level	Cons	Qty
1	40142785	COUNTER_WEIGHT_COMPL_3	FOR LK-1903B-BS-301			1
2	40142691	COUNTER_WEIGHT		*		1
3	40010424	COUNTER_WEIGHT_SCREW_A		*		1
4	40010425	COUNTER_WEIGHT_SCREW_B		*		1
5	40010426	COUNTER_WEIGHT_SCREW_C		*		1
6	WP0820516SP	WASHER 11.6X8.2X0.6		*		1
7	40110841	THRUST_COLLAR_ASM.		*		1
8	40110842	THRUST_COLLAR		*		1
9	SM80506A2TP	SCREW M5 L=6		*		2
10	40142786	THREAD_TAKE_UP_COMPL_3		*		1
11	40142701	LEFT_HAND_SCREW		*		1
12	40142697	NEEDLE_BAR_CRANK_ROD_COMPL.		*		1
13	40142787	THREAD_TAKE_UP_ASM_3		*		1
14	40142790	NEEDLE_BAR_CRANK_3		*		1
15	40142807	TAKE_UP_CRANK_ASM_3		*		1
16	RE0300000K0	E-RING 3		*		2
17	40011949	CONNECTING ARM B	FOR LK-1903B-BS-301			1
18	14103352	INNER HOOK PRESSER ASM. B				1
19	40110846	SHUTTLE			☆	1
20	SM6030500SN	SCREW M3 L=5			☆	1
21	RC0470611KP	RETAINING RING 4.7	FOR LK-1903B-BS-301			1
22	SD0640216TP	SHOULDER SCREW	FOR LK-1903B-BS-301			1
23	B2619372000	STOP MOTION TRIPPING LEVER CAM	FOR LK-1903B-BS-301			1
24	B185351200E	HOOK SHAFT WASHER	FOR LK-1903B-BS-301			1
25	SD0791276TP	SHOULDER SCREW	FOR LK-1903B-BS-301			1
26	40006937	WIPER CONNECTING PLATE B	FOR LK-1903B-BS-301			1
27	40033047	WIPER ASM.	FOR LK-1903B-BS-301			1
28	SS5060310SP	SCREW 3/32-56 L=2.8	FOR LK-1903B-BS-301			2
29	40009860	WIPER THREAD CATCH SPRING	FOR LK-1903B-BS-301		☆	1
30	40006525	NEEDLE BAR THREAD GUIDE			☆	1
31	MDP170B1400	NEEDLE DPX17 #14	FOR LK-1900B-BS		☆	1
32	SM6061802TP	SCREW M6 L=18				1
33	40163512	PIPE ASM.				1
34	40146853	SHUTTLE_B				1
35	SM6030800SP	SCREW M3X0.5 L=8				2
36	40153212	INNER_HOOK_UPPER_SPRING_03	FOR LK-1903B-BS-301			1
37	40153213	LOWER_THREAD HOLDER_B	FOR LK-1903B-BS-301			1
38	SM6020460TP	SCREW				2
39	SM6020250TP	SCREW	FOR LK-1903B-BS-301			2
40	40146832	CYLINDER_ARM_CAP_ASM				1
41	40146833	CYLINDER_ARM_CAP		*		1
42	40142677	CYLINDER ARM CAP PLATE		*		1
43	SM3030552TN	SCREW M3 L=5		*		2
44	13508700	HOOK COVER PRESSER SPRING PIN		*		1
45	26221101	HOOK COVER PRESSER SPRING A		*		1
46	MDP170B1100	NEEDLE DPX17 #11	FOR LK-1903B-BS-301, LK-1900B-BF			1
47	40146835	INNNER_HOOK_UPPER_SPRING	FOR LK-1900B-BS,LK-1900B-BF			1

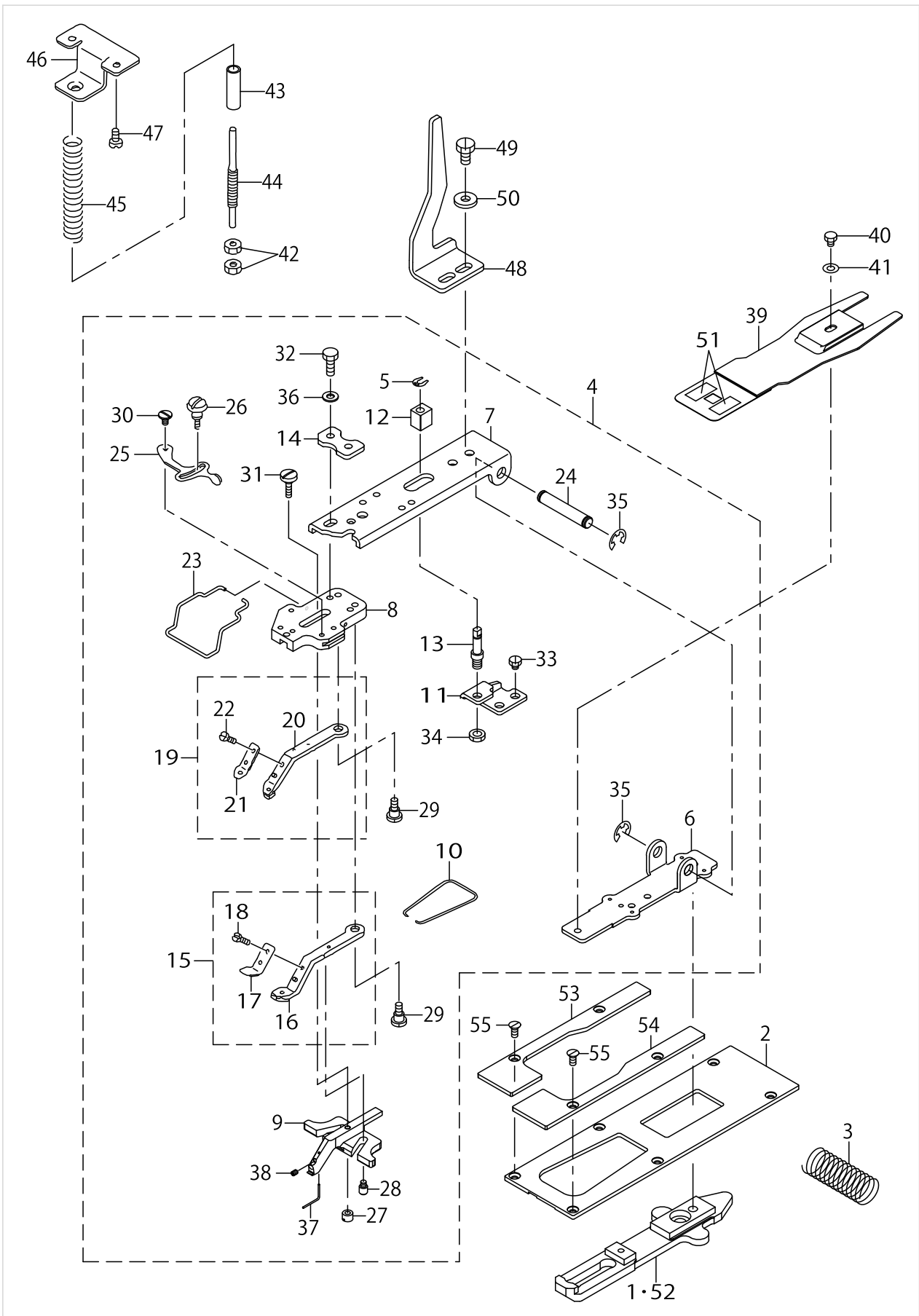
EXCLUSIVE PARTS FOR LK-1903B-BS-301,LK-1900B-BS,LK-1900B-BF(1)



EXCLUSIVE PARTS FOR LK-1903B-BS-301,LK-1900B-BS,LK-1900B-BF(1)

No.	Parts No.	Parts name	Remarks	Level	Cons	Qty
48	40156963	THREADING DIAGRAM	FOR LK-1903B-BS-301			1
49	40163455	ABSORB PLATE				1
50	BT0600401E0	TUBE				0.37
51	HX00314000D	SPIRAL TUBE				0.08

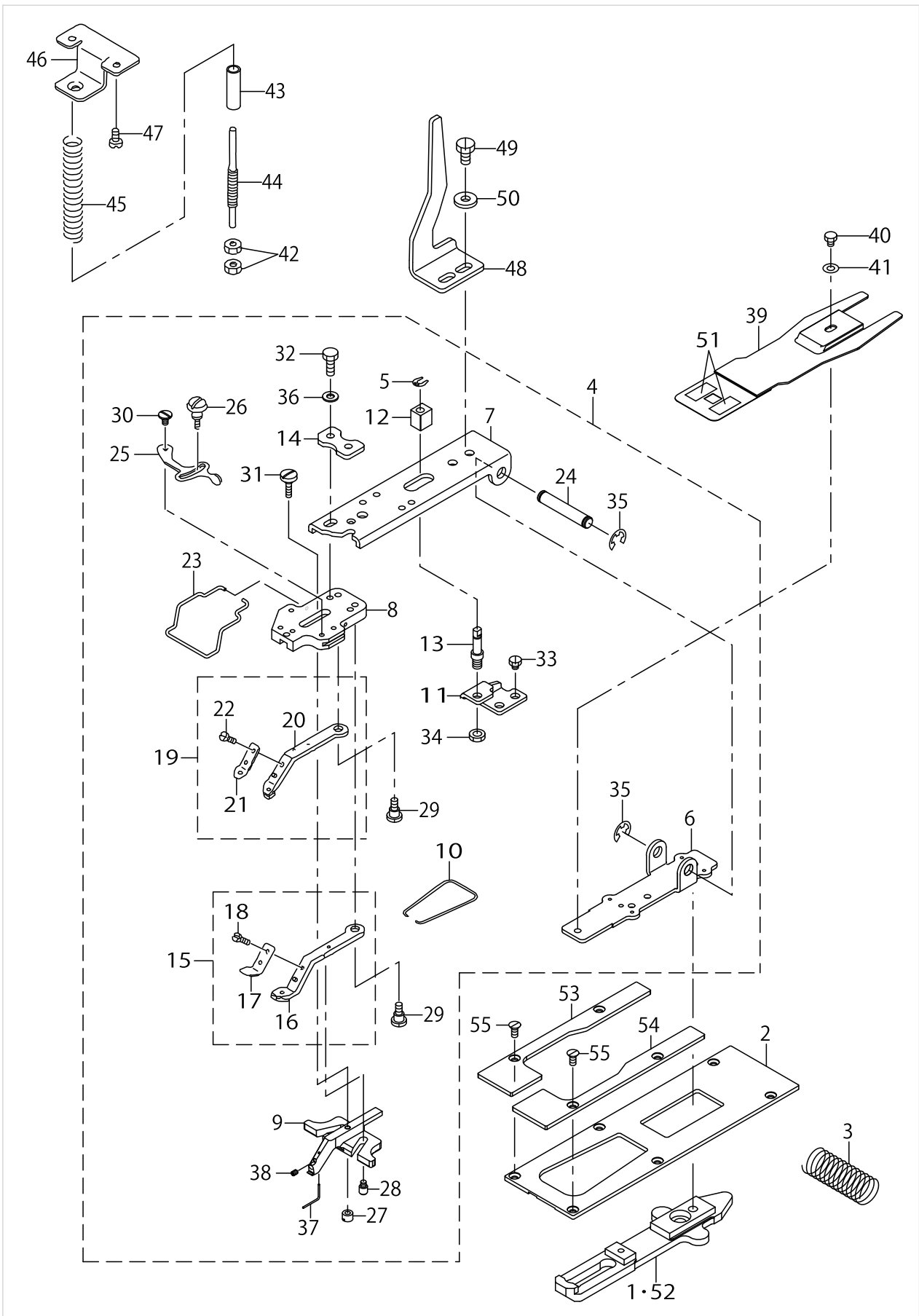
EXCLUSIVE PARTS FOR LK-1903B-BS-301,LK-1900B-BS,LK-1900B-BF(2)



EXCLUSIVE PARTS FOR LK-1903B-BS-301,LK-1900B-BS,LK-1900B-BF(2)

No.	Parts No.	Parts name	Remarks	Level	Cons	Qty
1	14145106	CLOTH FEED PLATE	FOR LK-1903B-BS			1
2	40006935	CLOTH FEED PRESSER PLATE B	FOR LK-1903B-BS			1
3	14148407	VERTICAL FEED SHAFT SPRING	FOR LK-1903B-BS			1
4	40146850	AVERYSMALLCLAMPMECHANISMASM.	FOR LK-1903B-BS			1
5	D2548232D00	SNAP RING FOR CONNECTING ROD		*		1
6	14146104	PICK-UP INSTALLING BASE		*		1
7	14146203	PICK-UP FOOT INSTALLING BASE		*		1
8	14146302	PICK-UP FOOT INSTALLING BASE		*		1
9	40146812	BUTTON_CLAMP_SLIDE		*		1
10	MAZ15513000	BUTTON CLAMP JAW LEVER SPRING		*		1
11	MAZ15514000	SUPPORT PLATE		*		1
12	MAZ15515000	SLIDE BLOCK		*		1
13	13540901	STATIONING BLOCK SHAFT		*		1
14	14146401	PRESSER PLATE		*		1
15	MAZ158070BB	EXTRA SMALL CLAMP LEVER ASM. (LEFT)		*		1
16	MAZ158070AB	EXTRA SMALL CLAMP LEVER ASM. (LEFT)		*		1
17	MAZ15809000	SPRING (RIGHT)		*	☆	1
18	SS7090410SP	SCREW 9/64-40 L=3.5		*		1
19	MAZ158080BB	EXTRA SMALL CLAMP LEVER ASM. (LEFT)		*		1
20	MAZ158080AB	EXTRA SMALL CLAMP LEVER ASM. (LEFT)		*		1
21	MAZ15810000	SPRING (LEFT)		*	☆	1
22	SS7090410SP	SCREW 9/64-40 L=3.5		*		1
23	D3130M1YC00	FINGER GUARD		*		1
24	14141402	INSTALLING SHAFT		*		1
25	B2548372000	SNAP FASTENER CLAMP STOP LEVER		*		1
26	B2549372000	CLAMP SCREW A		*		1
27	B2553372000	NUT		*		1
28	B2560372000	BUTTON CLAMP STOP PIN		*		2
29	SD0640391TP	HINGE SCREW D=6.35 H=3.9		*		2
30	SD0550181SP	HINGE SCREW D=5.50 H=1.8		*		1
31	SD0550301SP	HINGE SCREW D=5.5 H=3		*		1
32	SS9621413SP	SCREW 3/16-32 L=13.5		*		2
33	SS9110460CP	SCREW 11/64-40 L=4		*		2
34	NS6150310SP	NUT 15/64-28		*		1
35	RE0700000K0	E-RING 7		*		2
36	WP0501016SD	WASHER 5X10.5X1		*		2
37	40146831	BUTTON_RISING_BAR		*		1
38	SM8030412TP	SCREW		*		1
39	40146828	PRESSURE PLATE	FOR LK-1903B-BS			1
40	SS9110543CP	SCREW 11/64-40 L=5.3	FOR LK-1903B-BS			1
41	WP0501016SD	WASHER 5X10.5X1	FOR LK-1903B-BS			1
42	22928808	NUT	FOR LK-1903B-BS			2
43	D2527232D00	SLEEVE	FOR LK-1903B-BS			1
44	14146906	ADJUSTING SHAFT	FOR LK-1903B-BS			1
45	13812003	PRESSURE SPRING	FOR LK-1903B-BS			1
46	13811906	ACCEPT PLATE (UPPER)	FOR LK-1903B-BS			1
47	SM5040855SN	SCREW	FOR LK-1903B-BS			2

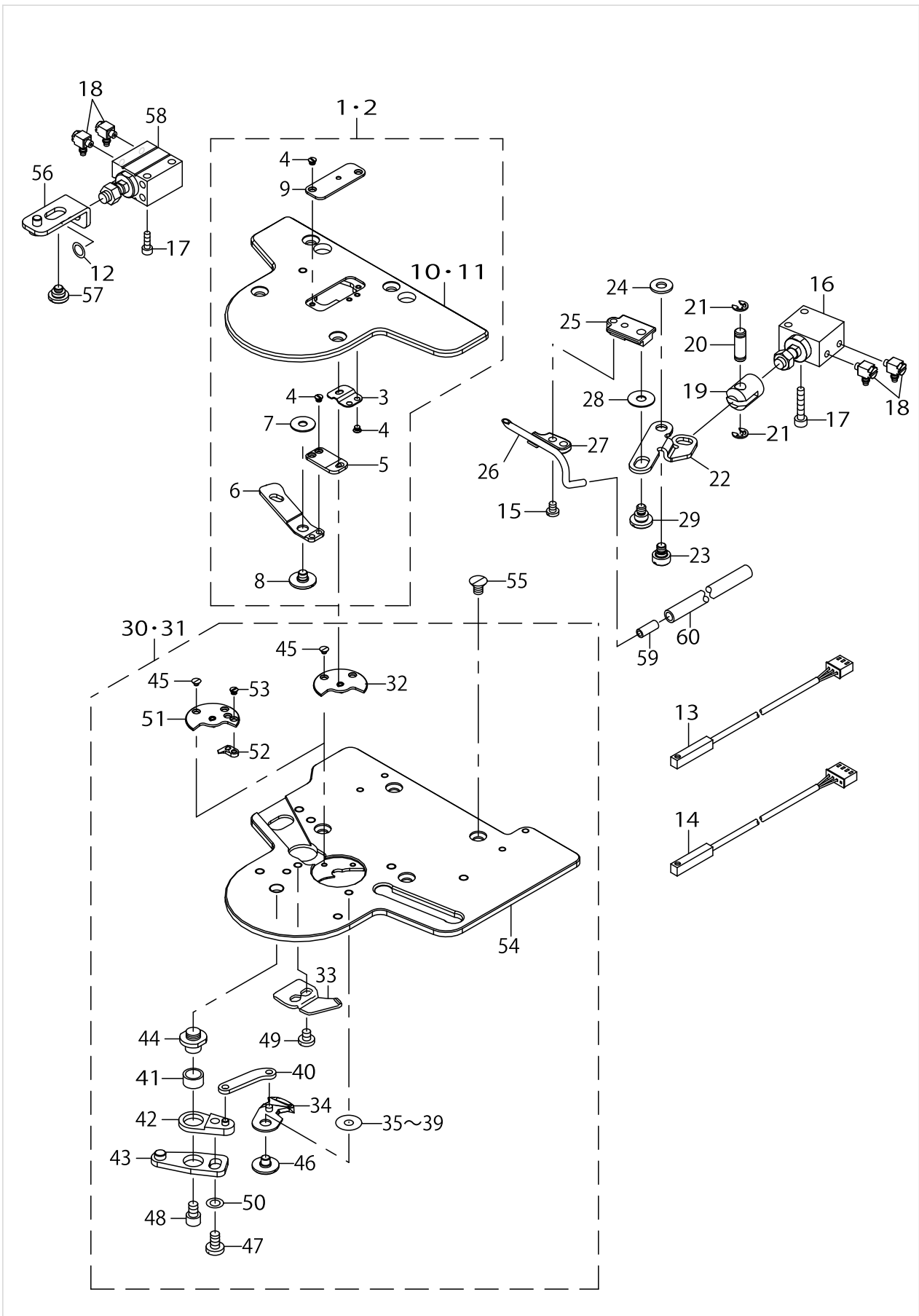
EXCLUSIVE PARTS FOR LK-1903B-BS-301,LK-1900B-BS,LK-1900B-BF(2)



EXCLUSIVE PARTS FOR LK-1903B-BS-301,LK-1900B-BS,LK-1900B-BF(2)

No.	Parts No.	Parts name	Remarks	Level	Cons	Qty
48	MAZ15516000	MOVING PLATE	FOR LK-1903B-BS			1
49	SS9151120CP	SCREW 15/64-28 L=11	FOR LK-1903B-BS			2
50	WP0612516SD	WASHER 6.1X15.2X2.5	FOR LK-1903B-BS			2
51	40153218	SKID SHEET	FOR LK-1903B-BS			1
52	40153219	CLOTH_FEED_PLATE_1900BBS	FOR LK-1900B-BS,LK-1900B-BF			1
53	40153235	FEED_PLATE_SPACER_L	FOR LK-1900B-BS,LK-1900B-BF			1
54	40153234	FEED_PLATE_SPACER_R	FOR LK-1900B-BS,LK-1900B-BF			1
55	SM1040950TP	SCREW M4 L=9	FOR LK-1900B-BS,LK-1900B-BF			4

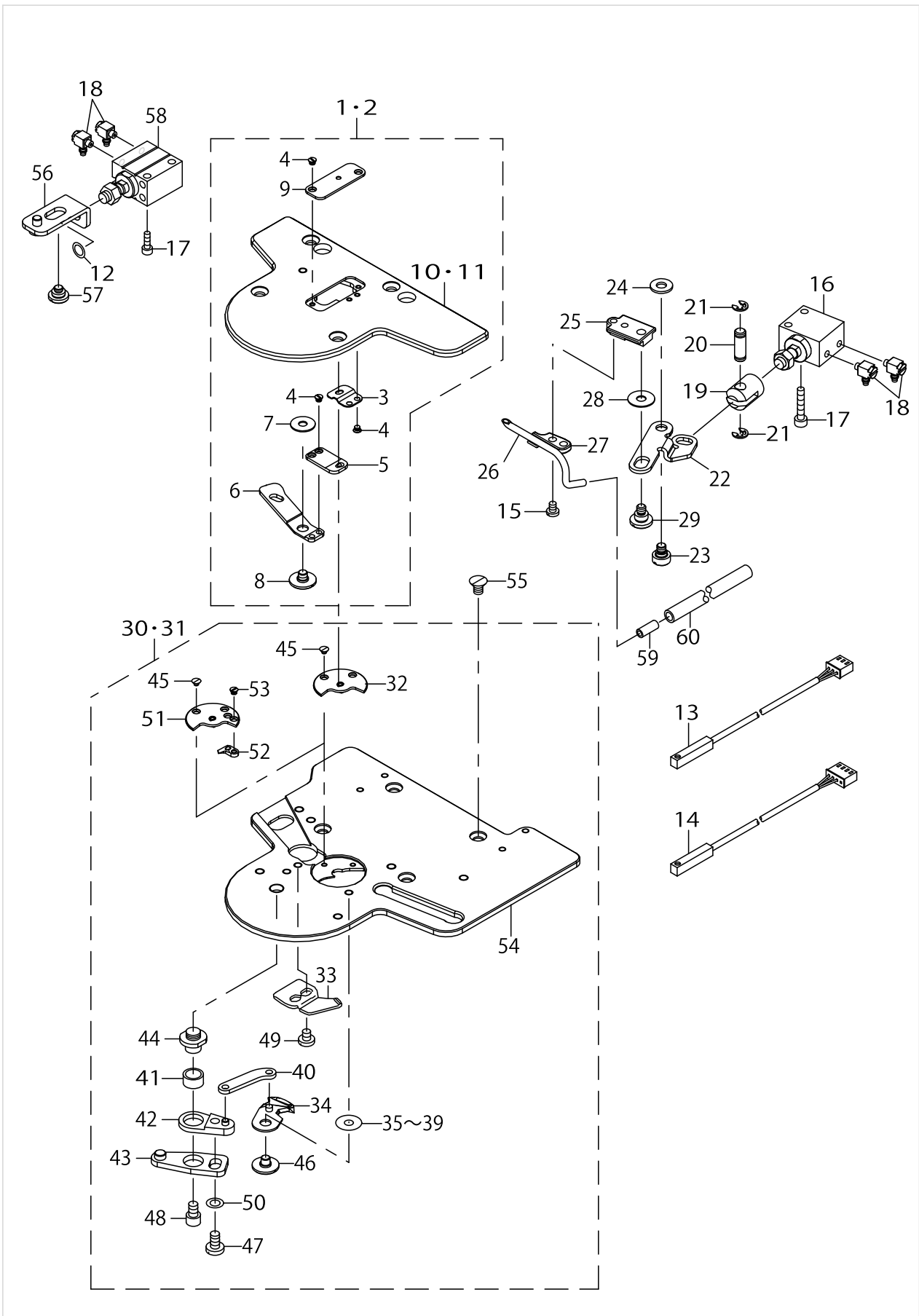
EXCLUSIVE PARTS FOR LK-1903B-BS-301,LK-1900B-BS,LK-1900B-BF(3)



EXCLUSIVE PARTS FOR LK-1903B-BS-301,LK-1900B-BS,LK-1900B-BF(3)

No.	Parts No.	Parts name	Remarks	Level	Cons	Qty
1	40162729	NEEDLE PLATE UPPER ASM. 03BB	FOR LK-1903B-BS			1
2	40162730	NEEDLE PLATE UPPER ASM. 00BB	FOR LK-1900B-BS,LK-1900B-BF			1
3	40162660	FIXING KNIFE		*	☆	1
4	SS1060210TP	SCREW 3/32-56 L=2.2		*		6
5	40146806	MOVING_KNIFE		*	☆	1
6	40162659	MOVING_KNIFE_BASE		*		1
7	B2423280000	WASHER		*		1
8	SD0500091TP	HINGE SCREW D=5.0 H=0.9		*		1
9	40162662	NEEDLE HOLE GUIDE B		*		1
10	40162687	KNIFE_BASE_03BB	FOR LK-1903B-BS	*		1
11	40162688	KNIFE_BASE_00BB	FOR LK-1900B-BS,LK-1900B-BF	*		1
12	WP0510516SD	WASHER 5.1X7.5X0.5				1
13	40157670	SUTO SWITCH A ASM.				1
14	40153195	AUT SWITCH B ASM.				1
15	SM6030650TP	SCREW				2
16	PA1000601A0	AIR CYLINDER				1
17	SM6031602TP	SCREW				4
18	PJ046039001	ELBOW				4
19	40146827	CYLINDER_KNUCKLE				1
20	40023635	CYLINDER PIN				1
21	RE0300000K0	E-RING 3				2
22	40146826	VACUUM_LINK				1
23	SD0500166TP	SHOULDER SCREW D=5 H=1.6				1
24	WP0451026SH	WASHER				1
25	40146809	GUIDE_BLOCK				1
26	40146824	VACUUM_PIPE				1
27	40146825	VACUUM_PIPE_PLATE				1
28	WP0420516KH	THRUST WASHER 4.2				1
29	SD0600326TP	SHOULDER SCREW D=6 H=3.2				1
30	40162731	NEEDLE PLATE ASM. 03BB	FOR LK-1903B-BS			1
31	40162732	NEEDLE PLATE ASM. 00BB	FOR LK-1900B-BS,LK-1900B-BF			1
32	40162664	GUIDE 03BB	FOR LK-1903B-BS	*	☆	1
33	B2424280000	FIXING KNIFE		*	☆	1
34	B24212800A0	MOVING KNIFE ASM.		*	☆	1
35	B242328000A	MOVING KNIFE WASHER A	SELECTIVE PARTS	*		1
36	B242328000B	MOVING KNIFE WASHER B	SELECTIVE PARTS	*		1
37	B242328000C	MOVING KNIFE WASHER C	SELECTIVE PARTS	*		1
38	B242328000D	MOVING KNIFE WASHER D	SELECTIVE PARTS	*		1
39	B242328000E	MOVING KNIFE WASHER E	SELECTIVE PARTS	*		1
40	B2418280000	MOVING KNIFE LINK		*		1
41	B2416280000	THREAD CUTTING LEVER RING		*		1
42	B24152800A0	THREAD CUTTER LEVER ASM. SMALL		*		1
43	B24142800A0	THREAD CUTTER LEVER ASM. LARGE		*		1
44	B2417280000	THREAD CUTTER LEVER SHAFT		*		1
45	SS1060210TP	SCREW 3/32-56 L=2.2		*		2
46	SD0500091TP	HINGE SCREW D=5.0 H=0.9		*		1
47	SS7110740TP	SCREW 11/64-40 L=7		*		1

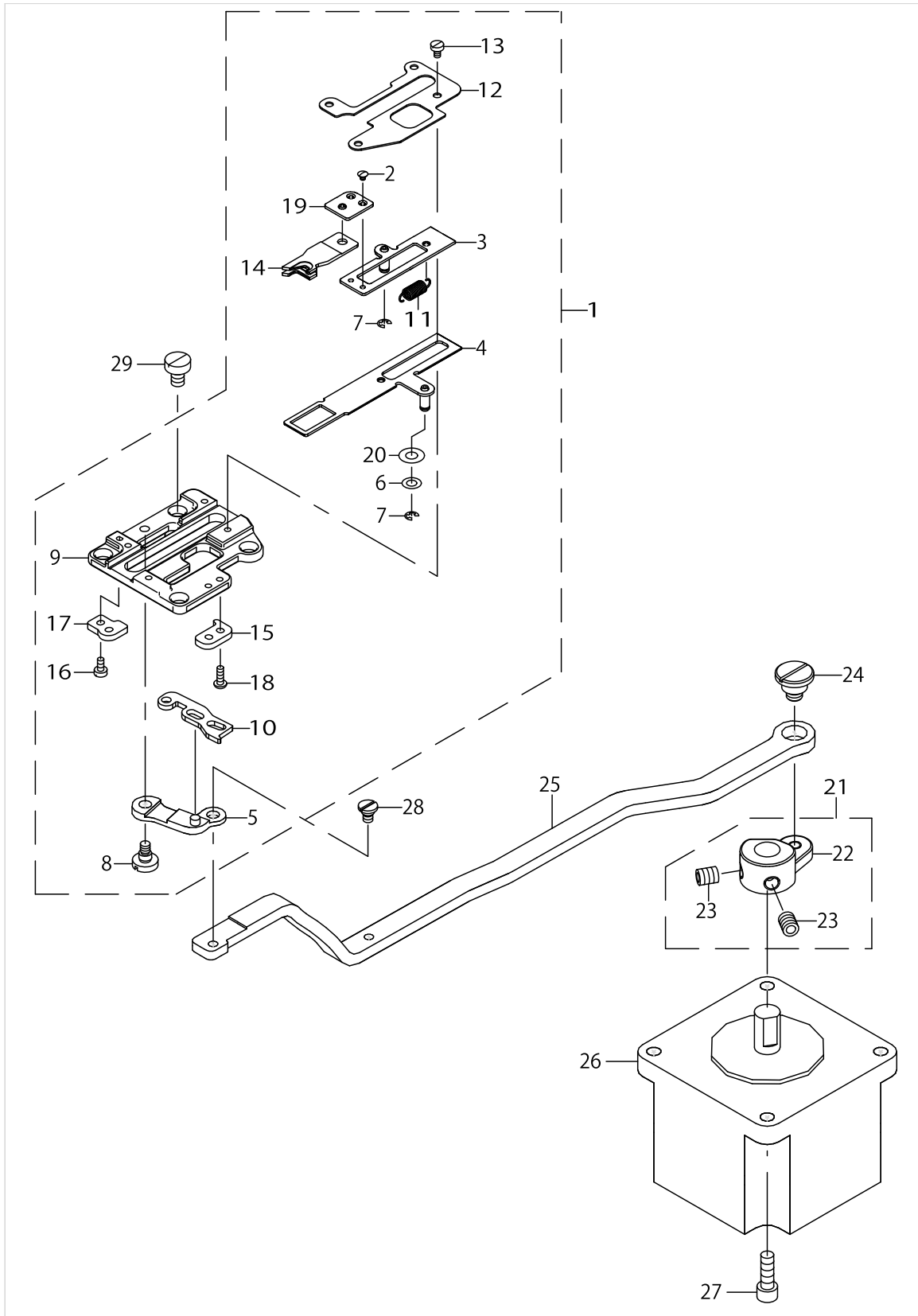
EXCLUSIVE PARTS FOR LK-1903B-BS-301,LK-1900B-BS,LK-1900B-BF(3)



EXCLUSIVE PARTS FOR LK-1903B-BS-301,LK-1900B-BS,LK-1900B-BF(3)

No.	Parts No.	Parts name	Remarks	Level	Cons	Qty
48	SS6110430TP	SCREW 11/64-40 L=4.0		*		1
49	SS7090410SP	SCREW 9/64-40 L=3.5		*		2
50	WP0450846SP	WASHER		*		1
51	40162665	GUIDE 00BB	FOR LK-1900B-BS,LK-1900B-BF	*		1
52	40163515	KNIFE	FOR LK-1900B-BS,LK-1900B-BF	*		1
53	SS1060210TP	SCREW 3/32-56 L=2.2	FOR LK-1900B-BS,LK-1900B-BF	*		2
54	40158171	NEEDLE PLATE		*		1
55	SM1040650TP	SCREW				4
56	40158169	CYLINDER GUIDE ASM.				1
57	SD0600207TP	SHOULDER SCREW				1
58	PA1000402A0	AIR CYLINDER				1
59	BT0400251EB	URETHANE HOSE, BLACK				0.01
60	BT0600401E0	TUBE				0.29

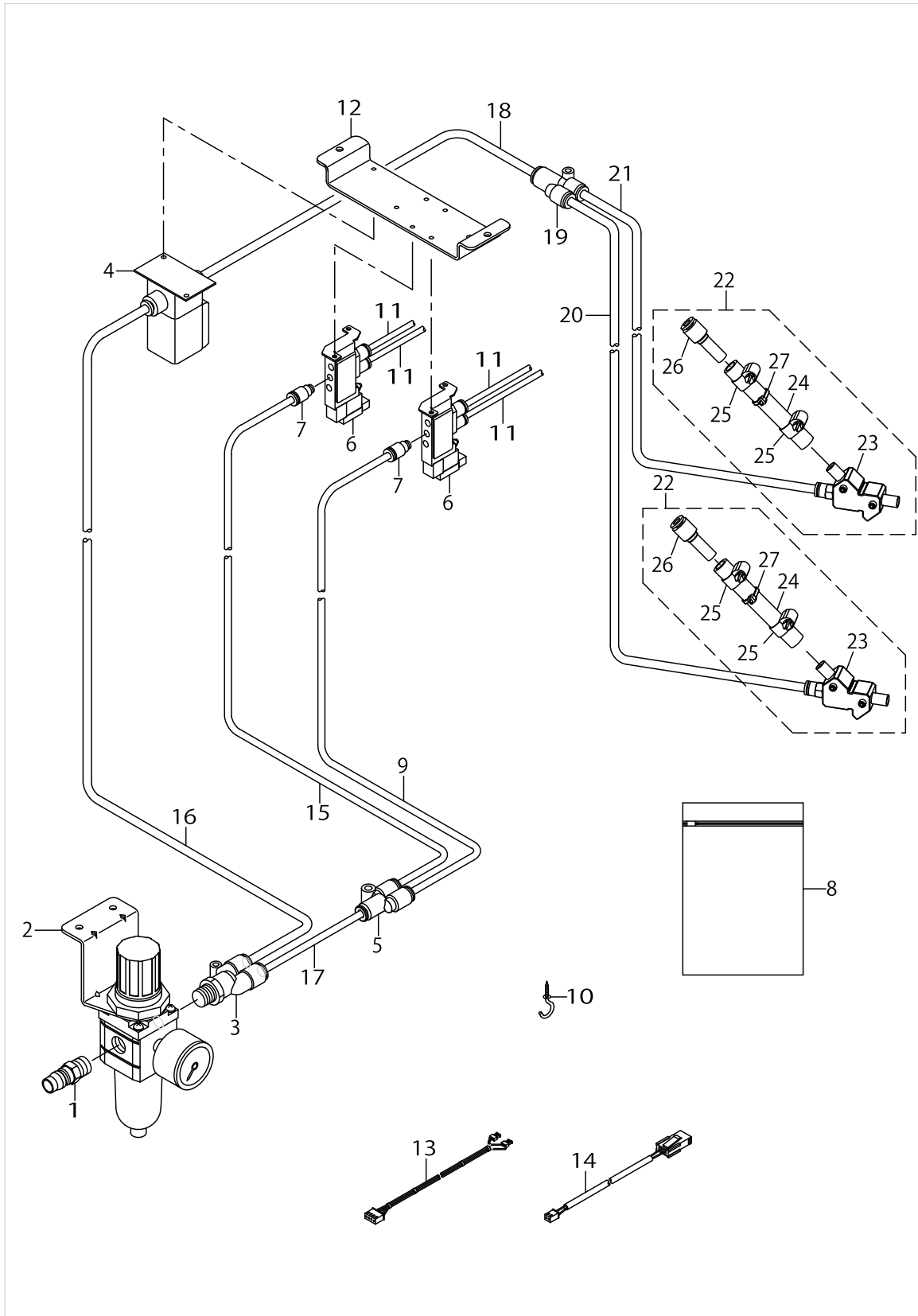
EXCLUSIVE PARTS FOR LK-1903B-BS-301,LK-1900B-BS,LK-1900B-BF(4)



EXCLUSIVE PARTS FOR LK-1903B-BS-301,LK-1900B-BS,LK-1900B-BF(4)

No.	Parts No.	Parts name	Remarks	Level	Cons	Qty
1	40163528	TC CLAMP UNIT ASM.				1
2	SM2360110TP	SCREW		*		2
3	40006762	TC_CLAMP_PLATE_ASM		*		1
4	40006765	TC_SUPPERT_PLATE_ASM		*		1
5	40015800	TC_LINK_ASM.		*		1
6	WP0320500SC	WASHER M3		*		2
7	RE0200000K0	E-RING		*		2
8	SD0400266TP	HINGE SCREW D=4 H=2.6		*		1
9	40010589	TC_BASE		*		1
10	40146838	TC_CAM_PLATE		*		1
11	40146836	TC_SPRING		*		1
12	40006781	TC_BASE_COVER		*		1
13	SM6020350SP	SCREW M2 L=2.5		*		4
14	40163514	TC CLAMP		*		1
15	40146837	TC_NOTCH_R		*		1
16	SM6020450TP	SCREW		*		2
17	40030942	TC_NOTCH_F_H		*		1
18	SM4020600SP	SCREW M2 L=6		*		2
19	40012815	TC JOINT ASM.		*		1
20	WP0370316SD	WASHER 3.7X8X0.3		*		1
21	40142738	TC_DRIVING_ARM_ASM				1
22	40142739	TC_DRIVING_ARM		*		1
23	40011152	TC_ARM_SCREW		*		2
24	SD0800407TP	SHOULDER SCREW				1
25	40006776	TC_CONNECTING_LINK				1
26	40139179	THREAD CLAMP MOTOR				1
27	SM6041202TP	SCREW M4X0.7 L=12				4
28	SD0350156TP	SHOULDER SCREW				1
29	SM6040650TP	SCREW				4

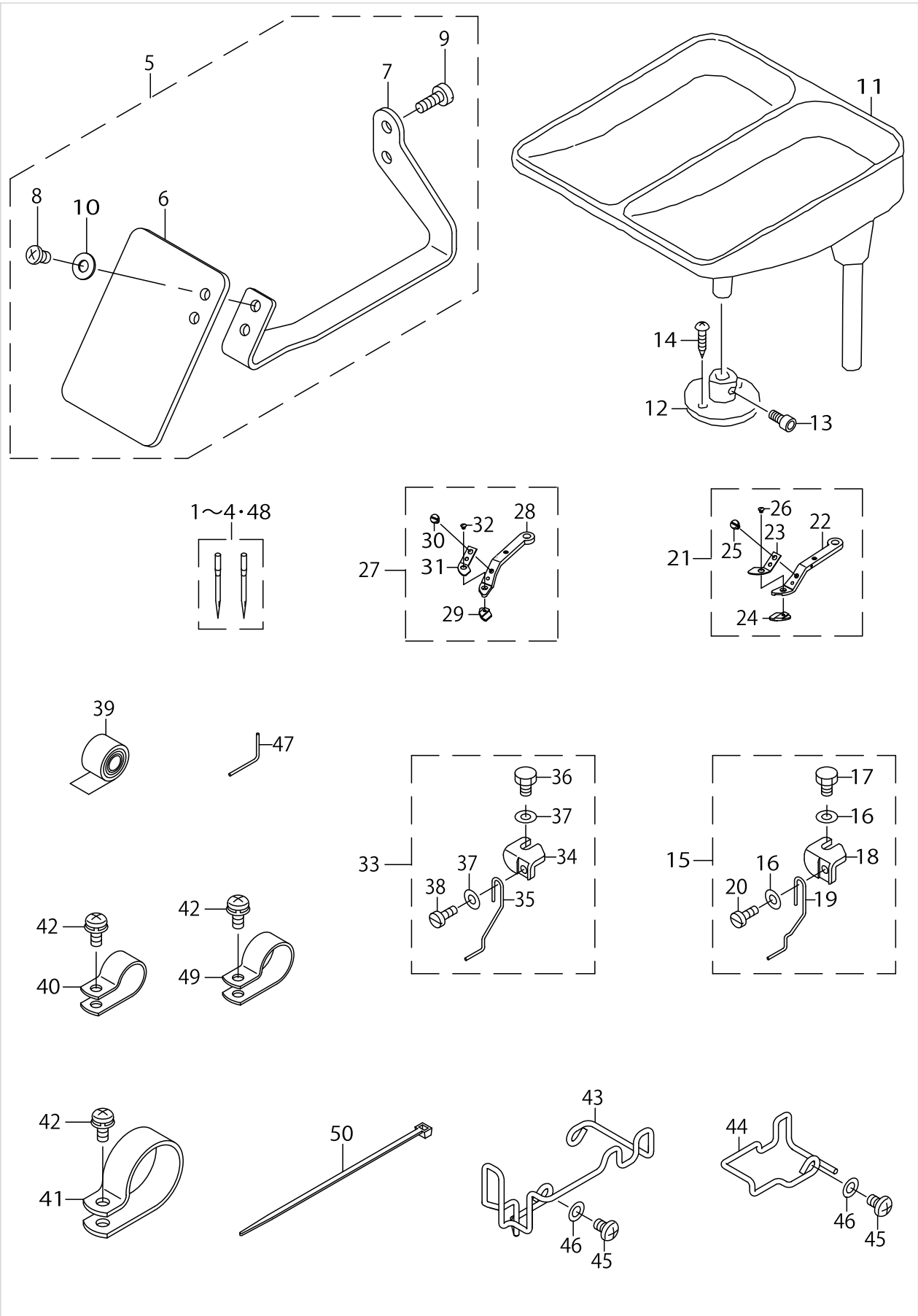
AIR COMPONENTS



AIR COMPONENTS

No.	Parts No.	Parts name	Remarks	Level	Cons	Qty
1	PJ025200004	PLUG				1
2	40163610	FILTER REGULATOR ASM.				1
3	PJ308085202	UNION Y				1
4	PV120206000	2-PORT SOLENOID VALVE				1
5	PJ308080003	Y-UNION				1
6	PV1502060A0	5 PORT MAGNETIC TRANSFER VALVE				2
7	PJ210006100	HALF UNION				2
8	40139091	DUST_BAG				1
9	BT0600401EB	TUBE				1.2
10	D2113555B00	CORD SET HOOK B				1
11	BT0400251EB	URETHANE HOSE BLACK				3
12	40146839	SOLENOID_VALVE_ADJUSTING_BASE				1
13	40153196	AIR SOLENOID VALVE CORD A ASM.				1
14	40153197	AIR SOLENOID VALVE CORD B ASM.				1
15	BT0600401EB	TUBE				0.2
16	BT0800501EB	VINYL TUBE				0.3
17	BT0800501EB	VINYL TUBE				0.15
18	BT0800501EB	VINYL TUBE				0.15
19	PJ308080003	Y-UNION				1
20	BT0600401EB	TUBE				0.2
21	BT0600401EB	TUBE				0.2
22	40153246	TUBE ASM. 4				2
23	40153248	NOZZLE ASM.		*		1
24	BT1200801EF	TUBE		*		0.7
25	16121907	HOSE BAND		*		2
26	PJ301060003	REDUCER		*		1
27	EA9500B0100	CABLE BAND		*		1

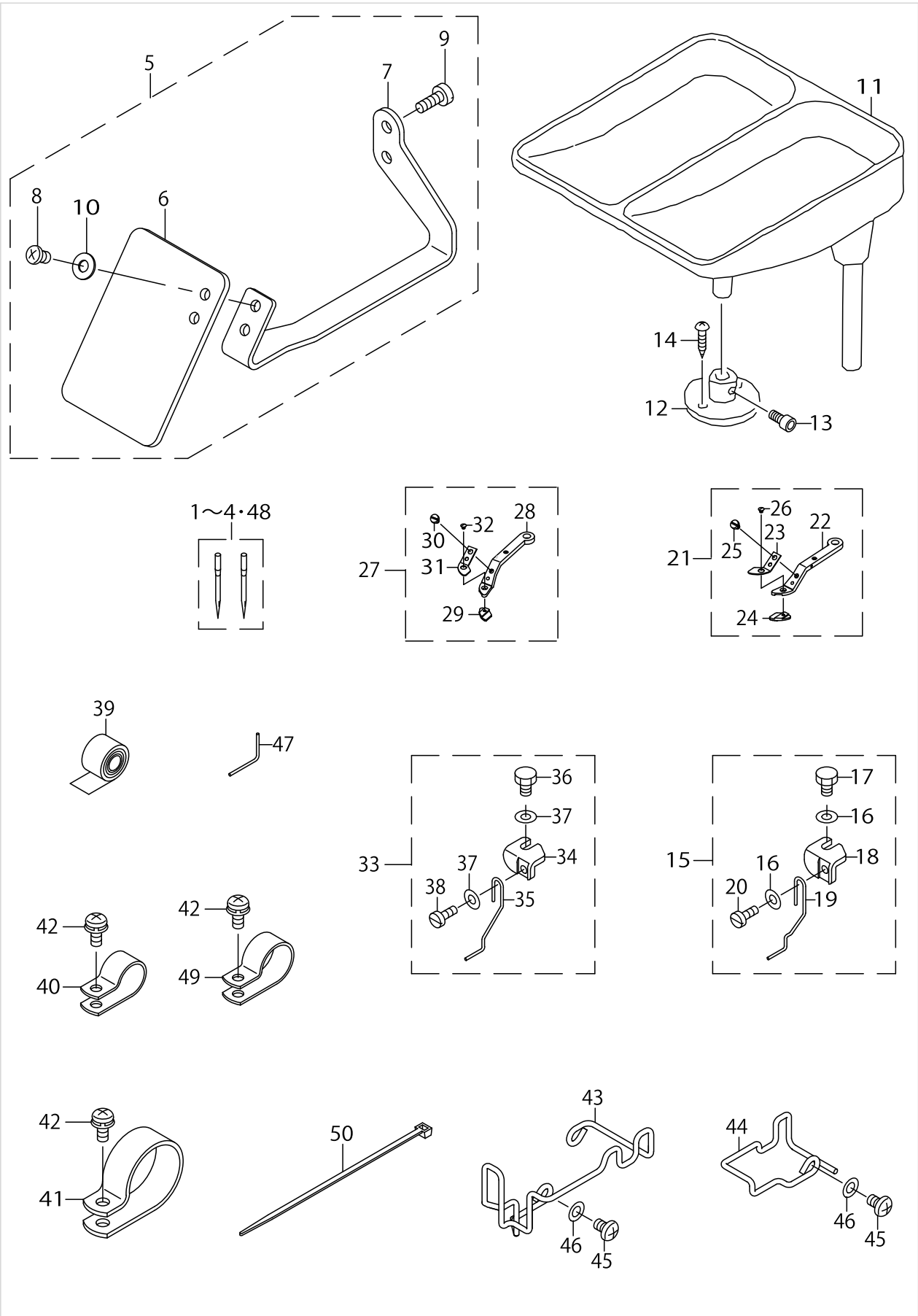
ACCESSORIE PARTS FOR LK-1900B SUBCLASSES



ACCESSORIE PARTS FOR LK-1900B SUBCLASSES

No.	Parts No.	Parts name	Remarks	Level	Cons	Qty
1	MDP500B1402	NEEDLE DPX5#14-2	FOR LK-1901BS,LK-1902BS USE IN JAPAN		☆	1
2	MDP500B1602	NEEDLE DPX5#16-2	FOR LK-1901BS,LK-1902BS EXCEPT USE IN JAPAN		☆	1
3	MDP170B2102	NEEDLE DPX17#21-2	FOR LK-1902BH		☆	1
4	MDP170B1402	NEEDLE DPX17#14-2	FOR LK-1903BS-301, LK-1903BS-302		☆	1
5	40006485	SAFETY PLATE ASM. B	FOR LK-1902BS,LK-1902BH			1
6	13889407	SAFETY PLATE		*		1
7	40052810	SAFETY PLATE INSTALLING BASE		*		1
8	SM4040655SP	SCREW M4 L=6		*		2
9	SM6041150TP	SCREW		*		2
10	WP0450801SD	WASHER 4.5X10X0.8		*		2
11	17848458	BUTTON TRAY ASM.	FOR LK-1903BS-301, LK-1903B-S-302, LK-1903B-BS-301			1
12	40033635	BUTTON TRAY BASE	FOR LK-1903BS-301, LK-1903B-S-302, LK-1903B-BS-301			1
13	SM6061202TP	SCREW M6 L=12	FOR LK-1903BS-301, LK-1903B-S-302, LK-1903B-BS-301			1
14	SK3412001SE	WOOD SCREW D=4.1 L=20	FOR LK-1903BS-301, LK-1903B-S-302, LK-1903B-BS-301			2
15	14146757	BUTTON RISING BAR ASM.	FOR LK-1903BS-301, LK-1903BS-302			1
16	WP0370316SD	WASHER 3.7X8X0.3		*		2
17	SS9090813TP	SCREW 9/64-40 L=8		*		1
18	14146807	INSTALLING BASE		*		1
19	14146708	BUTTON RISING BAR		*	☆	1
20	SS6080340SP	SCREW 1/8-44 L=2.9		*		1
21	14148852	SMALL CLAMP JAW LEVER ASM. (RIGHT)	FOR LK-1903BS-301, LK-1903B-BS-301			1
22	MAZ15507000	SMALL CLAMP JAW LEVER ASM. (RIGHT)		*		1
23	MAZ15509000	SPRING (RIGHT)		*	☆	1
24	14148803	PLATE K (RIGHT)		*		1
25	SS7090410SP	SCREW 9/64-40 L=3.5		*		1
26	SS2060310SP	SCREW 3/32-56 L=3		*		1
27	14148951	SMALL CLAMP JAW LEVER ASM. (LEFT)	FOR LK-1903BS-301, LK-1903B-BS-301			1
28	MAZ15508000	SMALL CLAMP JAW LEVER (LEFT)		*		1
29	14148902	PLATE K (LEFT)		*		1
30	SS7090410SP	SCREW 9/64-40 L=3.5		*		1
31	MAZ15510000	SPRING (LEFT)		*	☆	1
32	SS2060310SP	SCREW 3/32-56 L=3		*		1
33	40153216	BUTTON RISING BAR ASM.	FOR LK-1903B-BS-301			1
34	40153214	INSTALLING BASE		*		1
35	40153215	BUTTON RISING BAR		*	☆	1
36	SS9090813TP	SCREW 9/64-40 L=8		*		1
37	WP0370316SD	WASHER 3.7X8X0.3		*		2
38	SS6080340SP	SCREW 1/8-44 L=2.9		*		1
39	40153218	SKID SHEET	FOR LK-1903B-BS-301			1
40	HX00150000F	CABLE CLIP	FOR LK-1903B-BS-301, LK-1900B-BS,LK-1900B-BF			2
41	HX00150000N	CABLE CLIP	FOR LK-1903B-BS-301, LK-1900B-BS,LK-1900B-BF			1
42	SL4041091SC	SCREW M4 L=10	FOR LK-1903B-BS-301, LK-1900B-BS,LK-1900B-BF			4
43	40151278	FINGER_GUARD_RIGHT	FOR LK-1903B-BS-301, LK-1900B-BS,LK-1900B-BF			1
44	40151279	FINGER_GUARD_LEFT	FOR LK-1903B-BS-301, LK-1900B-BS,LK-1900B-BF			1
45	SM4040655SP	SCREW M4 L=6	FOR LK-1903B-BS-301, LK-1900B-BS,LK-1900B-BF			3

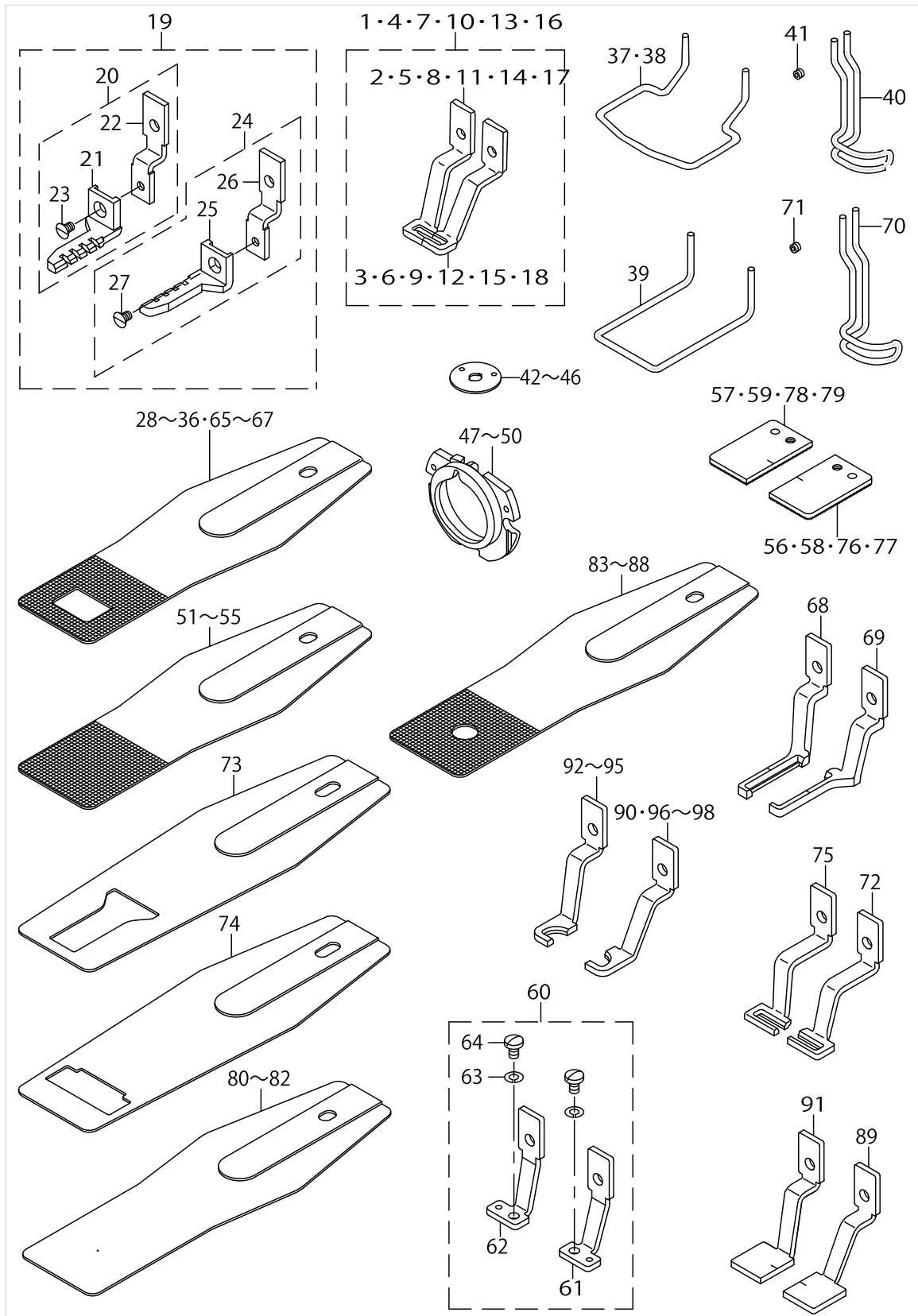
ACCESSORIE PARTS FOR LK-1900B SUBCLASSES



ACCESSORIE PARTS FOR LK-1900B SUBCLASSES

No.	Parts No.	Parts name	Remarks	Level	Cons	Qty
46	WP0430800SC	WASHER M4	FOR LK-1903B-BS-301, LK-1-900B-BS,LK-1900B-BF			3
47	40146831	BUTTON_RISING_BAR	FOR LK-1903B-BS-301		☆	1
48	MDP170B1102	NEEDLE DPX17#11-2	FOR LK-1903B-BS-301, LK-1900B-BF			1
49	HX00150000H	CABLE CLIP	FOR LK-1903B-BS-301, LK-1-900B-BS,LK-1900B-BF			1
50	EA9500B0100	CABLE BAND				6

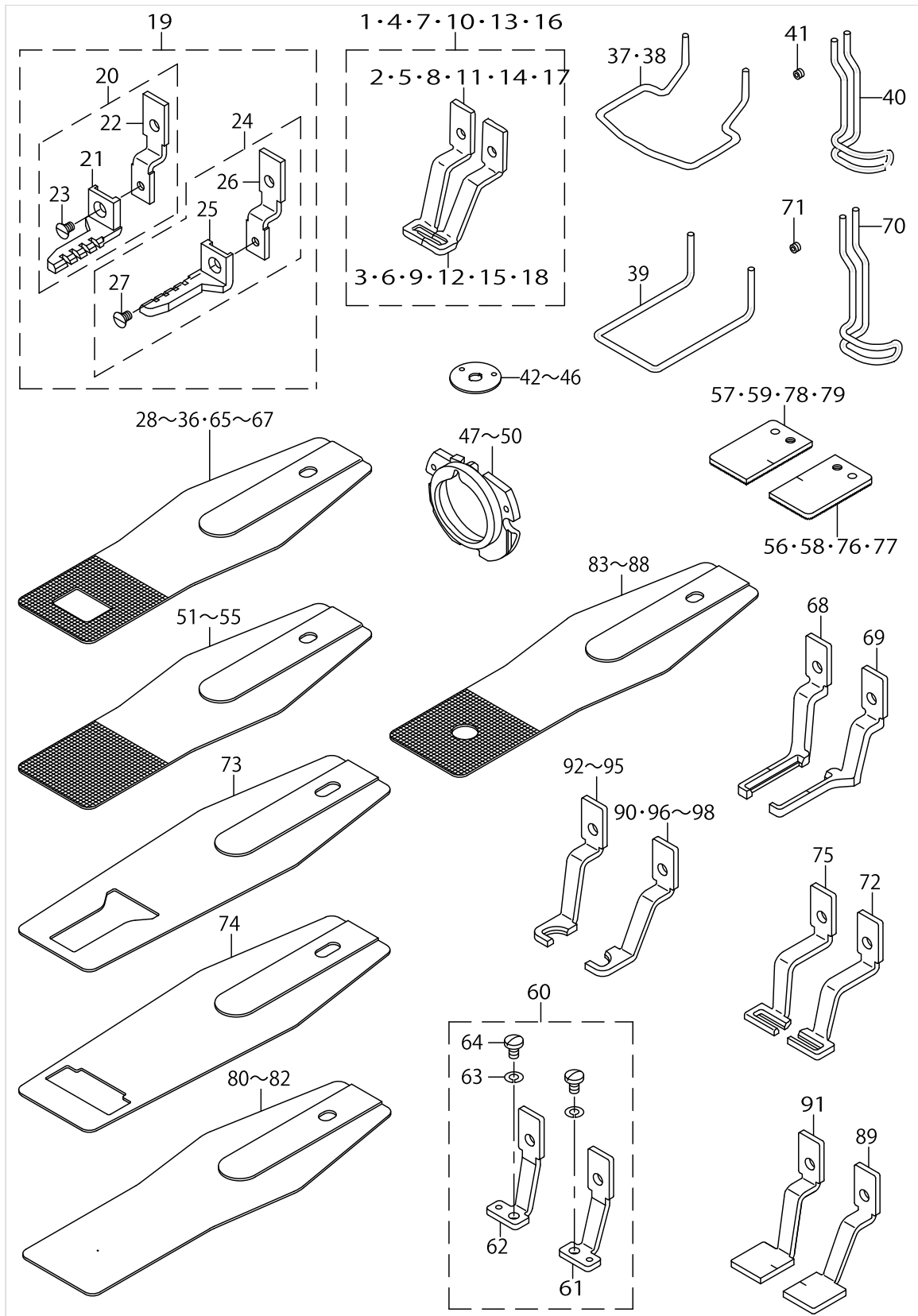
OPTION COMPONENTS (1)



OPTION COMPONENTS (1)

No.	Parts No.	Parts name	Remarks	Level	Cons	Qty
1	13518659	WORK CLAMP FOOT ASM.				1
2	13518600	WORK CLAMP FOOT (RIGHT)		*		1
3	13518709	WORK CLAMP FOOT (LEFT)		*		1
4	13548557	WORK CLAMP FOOT ASM.				1
5	13548508	WORK CLAMP FOOT (RIGHT)		*		1
6	13548607	WORK CLAMP FOOT (LEFT)		*		1
7	13548151	CLOTH PRESSER FOOT ASM.				1
8	13548102	WORK CLAMP FOOT (RIGHT)		*		1
9	13548201	WORK CLAMP FOOT (LEFT)		*		1
10	13542451	WORK CLAMP FOOT ASM.				1
11	13542402	WORK CLAMP FOOT (RIGHT)		*		1
12	13542501	WORK CLAMP FOOT (LEFT)		*		1
13	13542964	PRESSER ASM.				1
14	13542915	WORK CLAMP FOOT (RIGHT)		*		1
15	13543012	WORK CLAMP FOOT (LEFT)		*		1
16	13571955	WORK CLAMP FOOT ASM.				1
17	13571906	CLOTH PRESSER FOOT (RIGHT)		*		1
18	13572003	CLOTH PRESSER FOOT (LEFT)		*		1
19	13561360	WORK CLAMP FOOT ASM.				1
20	13561352	WORK CLAMP FOOT ASM. (RIGHT)		*		1
21	13561303	CLOTH PRESSER FOOT (RIGHT)		*		1
22	13562509	PRESSER FOOT SLIDING PLATE (RIGHT)		*		1
23	SS1110640TP	SCREW 11/64-40 L=5.5		*		1
24	13561451	WORK CLAMP FOOT ASM. (LEFT)		*		1
25	13561402	CLOTH PRESSER FOOT (LEFT)		*		1
26	13562608	PRESSER FOOT SLIDING PLATE (LEFT)		*		1
27	SS1110640TP	SCREW 11/64-40 L=5.5		*		1
28	14116107	FEED PLATE A				1
29	14116404	FEED PLATE D				1
30	14116305	FEED PLATE C				1
31	13548003	FEED PLATE				1
32	13554506	FEED PLATE				1
33	14116602	FEED PLATE F				1
34	14116206	FEED PLATE B				1
35	14116503	FEED PLATE E				1
36	14116701	FEED PLATE G				1
37	13533104	FINGER GUARD				1
38	13548300	FINGER GUARD				1
39	13573407	FINGER GUARD				1
40	14120000	FINGER GUARD				1
41	SM8040302TP	SETSCREW				1
42	B2426280000	NEEDLE HOLE GUIDE			☆	1
43	B242628000B	NEEDLE HOLE GUIDE B			☆	1
44	14109607	NEEDLE HOLE GUIDE			☆	1
45	D2426282C00	NEEDLE HOLE GUIDE			☆	1
46	D2426MMCK00	NEEDLE HOLE GUIDE			☆	1
47	14103253	INNER HOOK PRESSER ASM. A				1

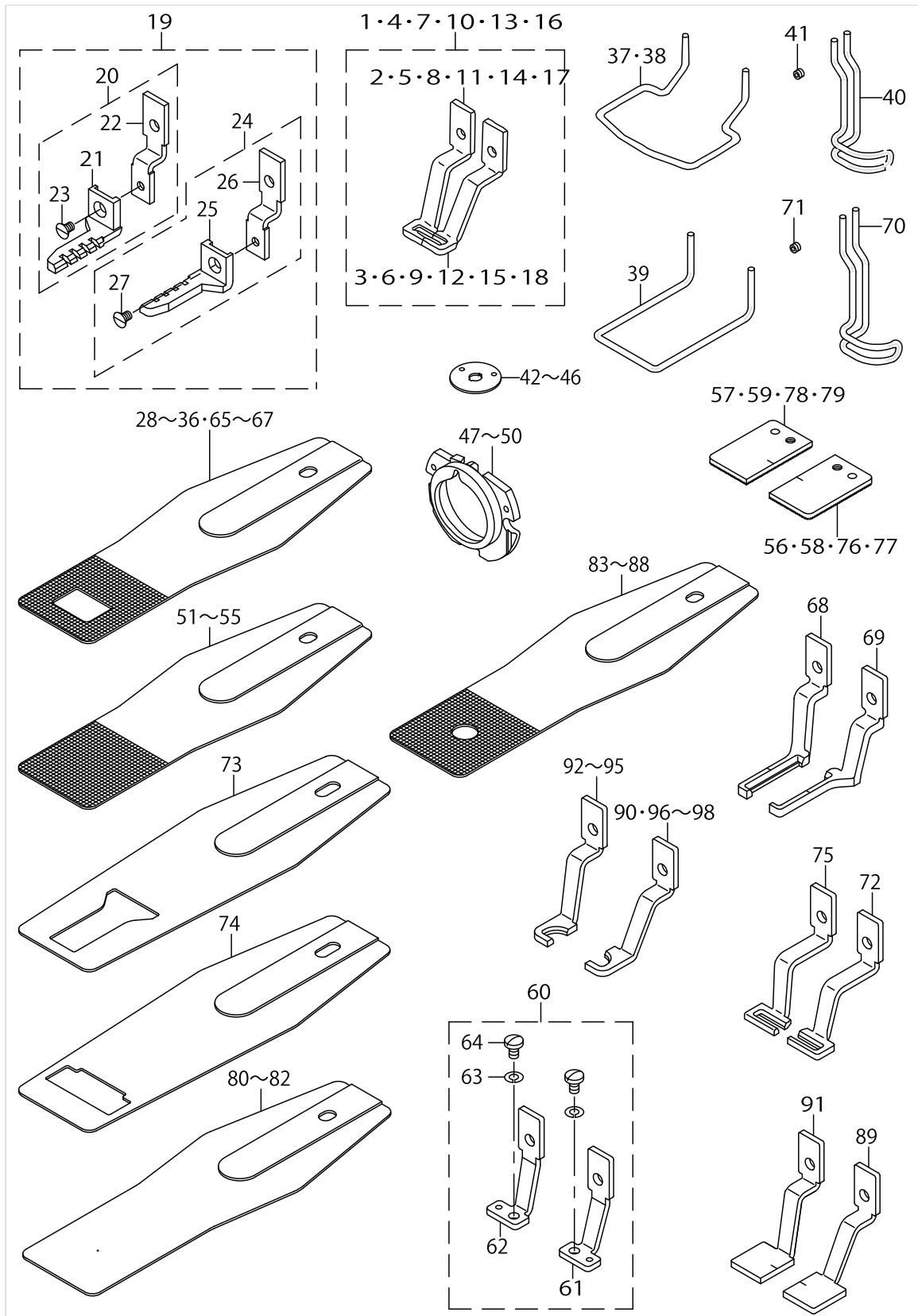
OPTION COMPONENTS (1)



OPTION COMPONENTS (1)

No.	Parts No.	Parts name	Remarks	Level	Cons	Qty
48	14103352	INNER HOOK PRESSER ASM. B				1
49	14103659	SHUTTLE RACE RING ASM. C				1
50	B1817210DAD	SHUTTLE RACE RING ASM. D				1
51	14120109	FEED PLATE BLANK A				1
52	14120208	FEED PLATE BLANK B				1
53	14120505	FEED PLATE BLANK C				1
54	14120307	FEED PLATE BLANK D				1
55	14120406	FEED PLATE BLANK E				1
56	14121701	CLOTH PRESSER BLANK RIGHT(SURFACE)				1
57	14121800	CLOTH PRESSER BLANK LEFT(SURFACE)				1
58	14121909	CLOTH PRESSER BLANK RIGHT				1
59	14122006	CLOTH PRESSER BLANK LEFT				1
60	14121263	WORK CLAMP FOOT ASM.				1
61	14121255	WORK CLAMP FOOT ASM. (RIGHT)		*		1
62	14121354	WORK CLAMP FOOT ASM. (LEFT)		*		1
63	WS0451040KP	SPRING WASHER 4.5X8.5X1		*		2
64	SS7110710SP	SCREW 11/64-40 L=7		*		2
65	14116800	FEED PLATE H				1
66	14116909	FEED PLATE I				1
67	13554803	FEED PLATE				1
68	14137608	WORK CLAMP FOOT A (LEFT)				1
69	14137509	WORK CLAMP FOOT A (RIGHT)				1
70	14135305	FINGER GUARD				1
71	SM8040302TP	SETSCREW				1
72	14137806	CLOTH PRESSER FOOT B (RIGHT)				1
73	14137707	CLOTH PRESSER LOWER PLATE A				1
74	14138002	CLOTH PRESSER LOWER PLATE B				1
75	14137905	CLOTH PRESSER FOOT B (LEFT)				1
76	40021851	WORK CLAMP BLANK RIGHT(PLATING)				1
77	40021853	WORK CLAMP BLANK RIGHT(NO PLATING)				1
78	40021852	WORK CLAMP BLANK LEFT(PLATING)				1
79	40021854	WORKCLAMPBLANKLEFT(NOPLATING)				1
80	40021855	FEED PLATE A(NO GIZA/PLATING)				1
81	40021856	FEED PLATE B(NO GIZA/NO PLATING)				1
82	40021857	FEED PLATE C(NO GIZA/SUS)				1
83	40021858	FEED PLATE D(GIZA/PLATING)				1
84	40021859	FEED PLATE E(GIZA/NO PLATING)				1
85	40021873	FEED PLATE D9-14				1
86	40021876	FEED PLATE 12				1
87	40021879	FEED PLATE 10				1
88	40021882	FEED PLATE 14				1
89	40021870	WORK CLAMP FOOT BLANK (LEFT)				1
90	40021872	WORK CLAMP FOOT D9-14 (LEFT)				1
91	40021869	WORK CLAMP FOOT BLANK (RIGHT)				1
92	40021871	WORK CLAMP FOOT D9-14 (RIGHT)				1
93	40021874	WORK CLAMP FOOT 12 (RIGHT)				1
94	40021877	WORK CLAMP FOOT 10 (RIGHT)				1

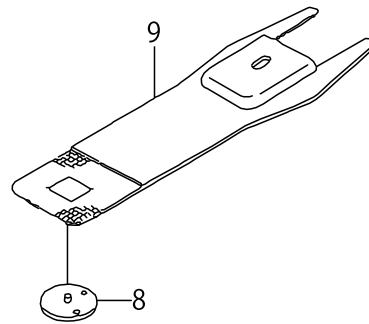
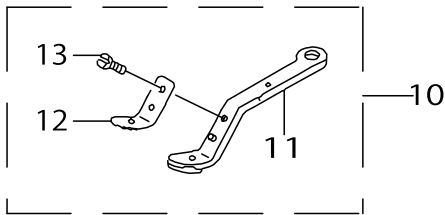
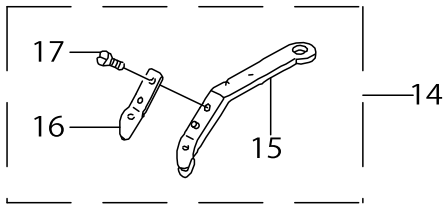
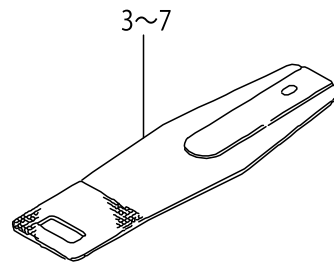
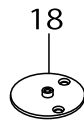
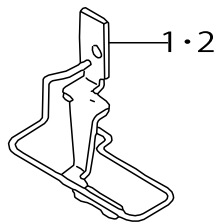
OPTION COMPONENTS (1)



OPTION COMPONENTS (1)

No.	Parts No.	Parts name	Remarks	Level	Cons	Qty
95	40021880	WORK CLAMP FOOT 14 (RIGHT)				1
96	40021875	WORK CLAMP FOOT 12 (LEFT)				1
97	40021878	WORK CLAMP FOOT 10 (LEFT)				1
98	40021881	WORK CLAMP FOOT 14 (LEFT)				1

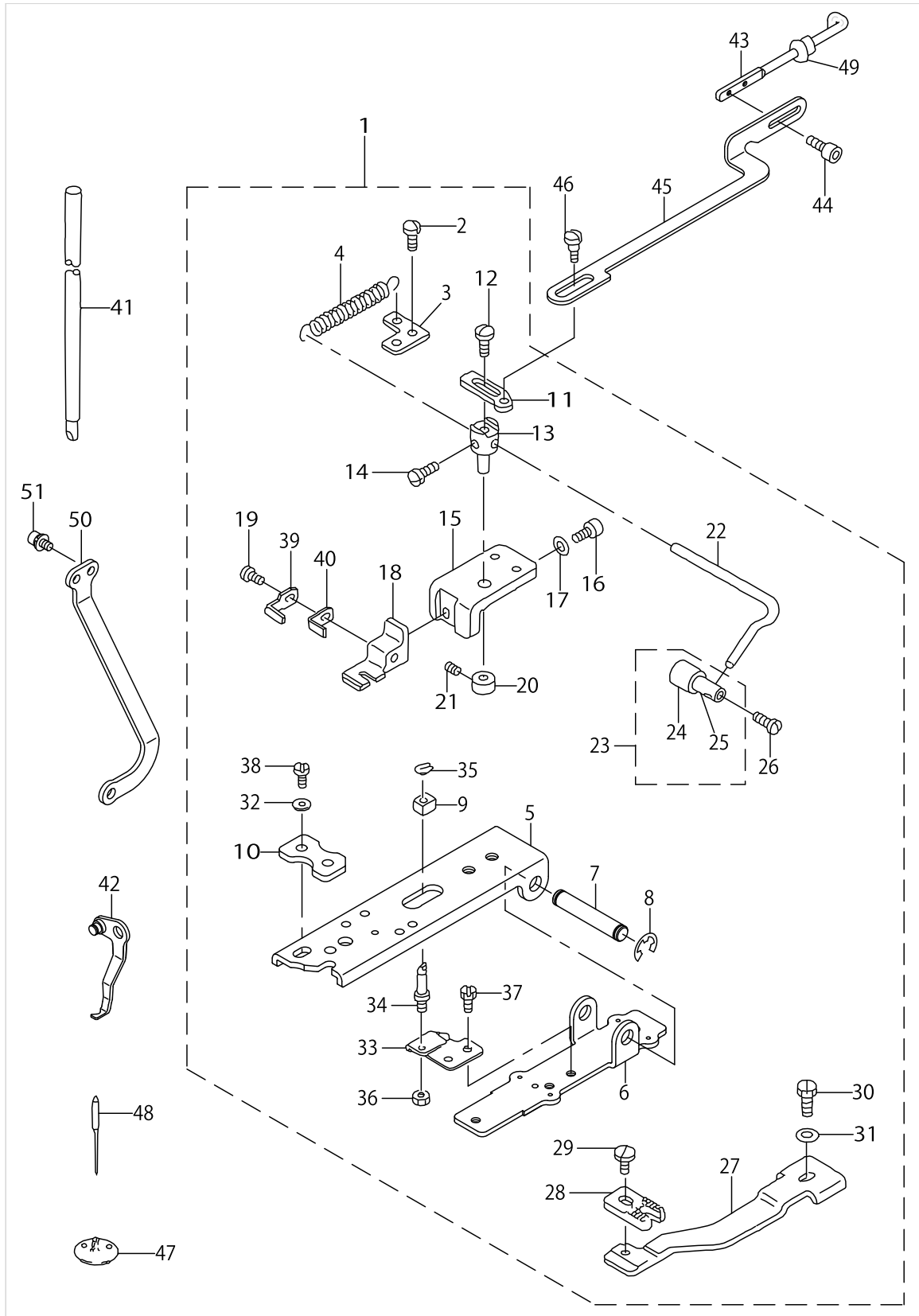
OPTION COMPONENTS (2) (FOR LK-1902B,LK-1903B)



OPTION COMPONENTS (2) (FOR LK-1902B,LK-1903B)

No.	Parts No.	Parts name	Remarks	Level	Cons	Qty
1	13545660	WORK CLAMP FOOT ASM.	FOR LK-1902B			1
2	13547161	WORK CLAMP FOOT ASM.	FOR LK-1902B			1
3	13545504	FEED PLATE	FOR LK-1902B			1
4	13545801	FEED PLATE	FOR LK-1902B			1
5	13547005	FEED PLATE	FOR LK-1902B			1
6	13546700	CLOTH PRESSER PLATE	FOR LK-1902B			1
7	13548706	CLOTH PRESSER LOWER PLATE	FOR LK-1902B			1
8	MAZ15701000	GUIDE	FOR LK-1903B		☆	1
9	MAZ15702000	PRESSURE PLATE	FOR LK-1903B			1
10	MAZ157070BB	LARGE CLAMP JAW LEVER ASM. (RIGHT)	FOR LK-1903B			1
11	MAZ157070AB	LARGE CLAMP JAW LEVER ASM. (RIGHT)		*		1
12	MAZ15709000	SPRING (RIGHT)		*	☆	1
13	SS7090410SP	SCREW 9/64-40 L=3.5		*		1
14	MAZ157080BB	LARGE CLAMP JAW LEVER ASM. (LEFT)	FOR LK-1903B			1
15	MAZ157080AB	LARGE CLAMP JAW LEVER ASM. (LEFT)		*		1
16	MAZ15710000	SPRING (LEFT)		*	☆	1
17	SS7090410SP	SCREW 9/64-40 L=3.5		*		1
18	14149603	GUIDE	FOR LK-1903B		☆	1

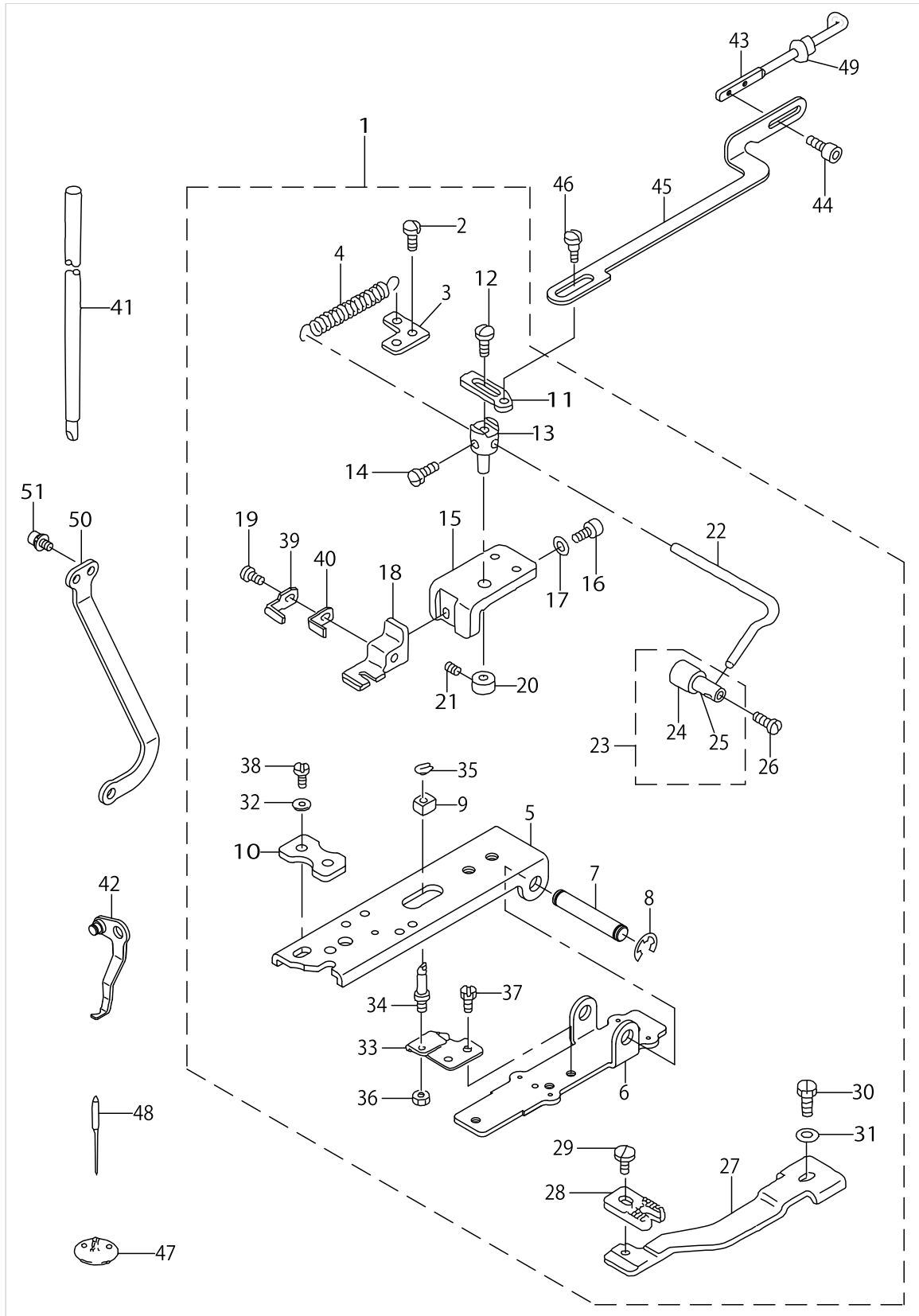
OPTION COMPONENTS (3) (FOR LK-1903B SHANK BUTTON)



OPTION COMPONENTS (3) (FOR LK-1903B SHANK BUTTON)

No.	Parts No.	Parts name	Remarks	Level	Cons	Qty
1	14146054	PICK-UP DEVICE COMPL.				1
2	SS7110740TP	SCREW 11/64-40 L=7		*		2
3	MAZ16012000	LEVER SPRING HOOK		*		1
4	MAZ16013000	BUTTON SUPPORT LEVER SPRING		*		1
5	14146203	PICK-UP FOOT INSTALLING BASE		*		1
6	14146104	PICK-UP INSTALLING BASE		*		1
7	14141402	INSTALLING SHAFT		*		1
8	RE0700000K0	E-RING 7		*		2
9	MAZ15515000	SLIDE BLOCK		*		1
10	14146401	PRESSER PLATE		*		1
11	MAZ16014000	BUTTON SUPPORT RELEASE LEVER		*		1
12	SS7110740TP	SCREW 11/64-40 L=7		*		1
13	MAZ16011000	BUTTON SUPPORT LEVER SHAFT		*		1
14	SS7110740TP	SCREW 11/64-40 L=7		*		1
15	MAZ16004000	BUTTON CLAMP BASE		*		1
16	SS6111052TP	SCREW		*		1
17	WP0482086SD	WASHER 4.8X11.5X2		*		1
18	MAZ16005000	BUTTON CLAMP BASE		*		1
19	SS7090510SP	SCREW 9/64-40 L=4.6		*		1
20	CS0640811SP	THRUST COLLAR D=6.35 W=8		*		1
21	SS8110410TP	SCREW 11/64-40 L=3.5		*		1
22	MAZ16010000	BUTTON SUPPORT LEVER		*		1
23	MAZ160090A0	BUTTON SUPPORT RUBBER ASM.		*		1
24	MAZ16009000	BUTTON SUPPORT RUBBER		*		1
25	B2406372000	SHANK BUTTON HOLDING CLAMP		*		1
26	SS7110740TP	SCREW 11/64-40 L=7		*		1
27	MAZ16002000	FEED PLATE		*		1
28	MAZ1600300A	FEED PLATE A		*		1
29	SS6110480SP	SCREW 11/64-40 L=4.3		*		1
30	SS9111010SP	SCREW 11/64-40 L=9.5		*		1
31	WP0482086SD	WASHER 4.8X11.5X2		*		1
32	WP0501016SD	WASHER 5X10.5X1		*		2
33	MAZ15514000	SUPPORT PLATE		*		1
34	13540901	STATIONING BLOCK SHAFT		*		1
35	D2548232D00	SNAP RING FOR CONNECTING ROD		*		1
36	NS6150310SP	NUT 15/64-28		*		1
37	SS9110460CP	SCREW 11/64-40 L=4		*		2
38	SS9621413SP	SCREW 3/16-32 L=13.5		*		2
39	MAZ16022000	BUTTON CLAMP SUPPORT (FRONT)		*		1
40	MAZ16023000	BUTTON CLAMP SUPPORT (REAR)		*		1
41	D1401M1YC0A	NEEDLE BAR				1
42	MAZ160170A0	WIPER ASM.				1
43	13810908	MOVING PLATE LINK A				1
44	SS6090612TP	SCREW 9/64-40 L=6				2
45	MAZ16015000	BUTTON SUPPORT LINK				1
46	SD0640321TP	HINGE SCREW D=6.35 H=3.2				1
47	MAZ16021000	NEEDLE HOLE GUIDE			☆	1

OPTION COMPONENTS (3) (FOR LK-1903B SHANK BUTTON)



OPTION COMPONENTS (3) (FOR LK-1903B SHANK BUTTON)

No.	Parts No.	Parts name	Remarks	Level	Cons	Qty
48	MTQ300B1400	NEEDLE TQX3 #14			☆	1
49	14148209	BUSHING				1
50	40010103	CONNECTING LINK				1
51	SL6040892TN	BOLT				2

LIST FOR INFORMATION OF CHANGE (1)

As to the place changed, refer to the corresponding Rev.No.
 When previous parts(Obsoleted part)and new parts(Added parts)are
 not interchangeable with each other:
 In this case,even obsoleted parts(D.)can be ordered with the
 obsoleted part number,so select the parts with changed dates and
 place your orders.

変更箇所は、該当Rev.No.版をご参照ください。
 部品の互換性がない変更の場合は、削除された品番でも、ご注文できます。

No.1653-04 Rev.No.

*A:Added parts追加部品/D:Obsoleted parts削除部品/E:Erratum訂正

* Rev. No.	Page 頁	Ref. No.	Parts No. 品番	* Rev. No.	Page 頁	Ref. No.	Parts No. 品番
D 03	40	33	401-46844	A 04	40	33	401-63512
				A 04	40	49	401-63455
				A 04	40	50	BT-0600401-E0
				A 04	40	51	HX-0031400-0D
D 03	44	1	401-46848	A 04	44	1	401-62729
D 03	44	2	401-53236	A 04	44	2	401-62730
D 03	44	3	401-46807	A 04	44	3	401-62660
D 03	44	4	SS-8060210-TP	A 04	44	4	SS-1060210-TP
D 03	44	6	401-46813	A 04	44	6	401-62659
D 03	44	9	401-46816				
D 03	44	10	401-46817	A 04	44	10	401-62687
D 03	44	11	401-53233	A 04	44	11	401-62688
D 03	44	12	401-46821	A 04	44	9	401-62664
				A 04	44	12	WP-0510516-SD
D 03	44	13	SM-6850802-TN				
D 03	44	14	401-46845				
D 03	44	30	401-46849	A 04	44	30	401-62731
D 03	44	31	401-53222	A 04	44	31	401-62732
D 03	44	32	401-46822	A 04	44	32	401-62664
D 03	44	51	401-52556	A 04	44	51	401-62665
D 03	44	52	401-52555	A 04	44	52	401-63515
D 03	44	54	401-46818	A 04	44	54	401-58171
D 03	44	56	401-46814	A 04	44	56	401-58169
D 03	44	58	401-53194	A 04	44	13	401-57670
D 03	44	60	PA-1000401-A0	A 04	44	58	PA-1000402-A0
				A 04	44	59	BT-0400251-EB
				A 04	44	60	BT-0600401-E0
D 03	46	1	401-46852	A 04	46	1	401-63528
D 03	46	14	401-46811	A 04	46	14	401-63514
				A 04	46	20	WP-0370316-SD
D 03	48	1	PJ-0325260-01	A 04	48	1	PJ-0252000-04
D 03	48	2	400-03560	A 04	48	2	401-63610
D 03	48	3	PJ-3080652-02	A 04	48	3	PJ-3080852-02
D 03	48	4	PV-1202050-00	A 04	48	4	PV-1202060-00
D 03	48	5	PJ-3080600-03	A 04	48	5	PJ-3080800-03
D 03	48	8	F1012-003-0A0				

HOW TO MAKE USE OF THIS PARTS LIST

1.Explanation of codes

1)"*"mark.....means this part is changed from the previous parts book.

As to the details of the change, refer to the "List for information of change".

2)"#01".....refer to "Note" explanation at bottom of page.

2.Codes on the "Qty" column

- Each numeral indicates the number of parts required.
- "0.1" and "2.5" indicate the length (in meters) of the respective parts.

3.Parentheses mean that the corresponding part is a subpart that constructs an assembly part.

4.Dotted lines on the Figures indicate assembly parts.

5.As to the parts with marks of "☆"(consumable parts) and "◎"(optional parts)on the respective parts, it is recommended to prepare spares.

1 ."注記"欄の記号説明

1) "*"印.....前回のパーツブックに比較して今回変更された部品を意味します。

変更内容は、"変更情報リスト"を参照してください。

2) "#01".....ページ下の"注記"の説明を参照してください。

2.数量欄の数字は、個数を表し、0.1、2.5等の数値は、長さ（単位メートル）を表します。

3.数量欄の（ ）は、組部品を構成している子部品であることを意味します。

4.イラストページの-----枠は、組構成であることを意味します。

5.リストページの"☆"（消耗部品）、"◎"（オプション部品）の印がついた部品は、予備を準備しておくことをお奨めします。

NUMERICAL INDEX OF PARTS

PART NO	PAGE	REF NO.	PART NO	PAGE	REF NO.	PART NO	PAGE	REF NO.
10108009	6	16	13543806	52	54	13572003	82	3·6·9·12-- 15·18
10502300	2	46	13543905	52	59	13573407	42	27
11072402	2	27	13544051	50	43	13573407	82	39
11155108	32	31	13544465	50	47	13705108	2	39
11155207	32	32	13544614	52	49	13786306	50	7
11158300	32	8	13544705	52	61	13810908	90	43
11158409	32	9	13545504	88	3~7	13811906	60	58
11158516	32	12	13545660	88	1·2	13811906	66	46
11158607	32	10	13545801	88	3~7	13812003	60	57
11159001	32	15	13546700	88	3~7	13812003	66	45
12258000	44	37	13547005	88	3~7	13812102	16	54·70
13508700	2	16	13547161	88	1·2	13812102	42	33
13508700	62	44	13548003	82	28~36·65 ~67	13817754	32	14
13509807	4	53	13548102	24	61·63·65	13889407	78	6
13518501	24	54	13548102	82	2·5·8·11-- 14·17	14101208	42	17
13518600	24	61·63·65	13548102	82	1·4·7·10-- 13·16	14103253	14	45~47
13518600	82	2·5·8·11-- 14·17	13548151	82	62·64·66	14103253	82	47~50
13518659	82	1·4·7·10-- 13·16	13548201	24	3·6·9·12-- 15·18	14103352	14	45~47
13518709	24	62·64·66	13548201	82	58·59	14103352	44	8
13518709	82	3·6·9·12-- 15·18	13548300	24	37·38	14103352	50	10·15
13529607	14	34	13548300	82	2·5·8·11-- 14·17	14103352	54	18
13533104	82	37·38	13548508	82	1·4·7·10-- 13·16	14103352	62	18
13540604	46	48	13548557	82	3·6·9·12-- 15·18	14103352	84	47~50
13540901	58	13	13548607	82	28~36·65 ~67	14103659	14	45~47
13540901	66	13	13548607	82	31	14103659	50	10·15
13540901	90	34	13548706	82	28~36·65 ~67	14103659	84	47~50
13541107	48	25	13548706	88	3~7	14103907	14	27
13541404	48	7	13554506	82	21	14104004	14	25
13541503	48	38	13554803	22	20	14104400	10	32
13541602	48	45	13554803	84	19	14105407	24	53
13542402	82	2·5·8·11-- 14·17	13561303	82	25	14109607	20	22~24
13542451	82	1·4·7·10-- 13·16	13561352	82	28~36·65 ~67	14109607	50	26·27
13542501	82	3·6·9·12-- 15·18	13561360	82	21	14109607	82	42~46
13542915	24	61·63·65	13561402	82	20	14113450	2	24
13542915	82	2·5·8·11-- 14·17	13561451	82	19	14113468	2	23
13542964	82	1·4·7·10-- 13·16	13562509	82	25	14115554	28	20
13543012	24	62·64·66	13562608	82	24	14116107	22	29
13543012	82	3·6·9·12-- 15·18	13571906	42	22	14116107	82	28~36·65 ~67
13543715	52	50	13571906	82	26	14116206	22	30
			13571906	82	37	14116206	82	28~36·65 ~67
			13571955	82	2·5·8·11-- 14·17	14116305	82	28~36·65 ~67
			13572003	42	1·4·7·10-- 13·16	14116404	22	32·33

NUMERICAL INDEX OF PARTS

PART NO	PAGE	REF NO.	PART NO	PAGE	REF NO.	PART NO	PAGE	REF NO.
14116404	82	28~36·65 ~67	14141402	48	19	22901409	4	81
14116503	42	25·26	14141402	58	36	22901805	2	47
14116503	82	28~36·65 ~67	14141402	66	24	22902506	2	11
14116602	82	28~36·65 ~67	14141402	90	7	22920508	2	37
14116701	82	28~36·65 ~67	14141501	48	36	22921506	18	30
14116800	22	32·33	14141758	44	32	22921605	18	40
14116800	84	28~36·65 ~67	14142103	44	46	22928808	18	29
14116909	42	25·26	14143002	50	13	22928808	60	54
14116909	84	28~36·65 ~67	14145106	58	1	22928808	66	42
14118053	32	2	14145106	66	1·52	22932800	42	2
14118152	32	4	14145650	58	4·5	22933105	42	23
14118251	32	5	14145858	58	4·5	22933204	42	24
14120000	82	40	14146054	90	1	23517501	20	44~47
14120109	84	51~55	14146104	58	6	23517600	20	44~47
14120208	84	51~55	14146104	66	6	23517709	20	44~47
14120307	84	51~55	14146104	90	6	23517808	20	44~47
14120406	84	51~55	14146203	58	7	23630007	14	33
14120505	84	51~55	14146203	66	7	23638109	28	8
14121255	84	61	14146203	90	5	23638208	28	10
14121263	84	60	14146302	58	8	23638406	28	11
14121354	84	62	14146302	66	8	26037200	42	5
14121701	84	56·58·76·77	14146401	58	14	26204008	24	51
14121800	84	57·59·78·79	14146401	66	14	26204107	24	52
14121909	84	56·58·76·77	14146401	90	10	26211904	2	33
14122006	84	57·59·78·79	14146708	78	19	26218008	10	36
14135305	84	70	14146757	78	15	26218602	18	31
14137509	84	69	14146807	78	18	26221101	2	17
14137608	84	68	14146906	60	56	26221101	62	45
14137707	84	73	14146906	66	44	26221200	4	83
14137806	84	72	14148209	92	49	26222703	22	12
14137905	84	75	14148407	44	38	26223305	22	14
14138002	84	74	14148407	58	3	26223503	22	21
14140206	48	35	14148407	66	3	26224105	24	55
14140255	48	6	14148803	78	24	26224204	24	58·59
14140354	48	18	14148852	78	21	26224808	22	43
14140552	48	26	14148902	78	29	26224808	52	57
14140750	48	33	14148951	78	27	26226209	10	13
14140909	48	22	14149009	58	19	26229302	50	42
14141055	48	13	14149058	58	15	26260109	4	62
14141105	48	15	14149108	58	25	26260208	4	63
14141204	48	31	14149157	58	21	26260307	4	69
			14149603	88	18	26260505	4	73
			16121907	76	25	26260604	4	75
			17007402	32	11	26260703	4	77
			17848458	78	11	26260802	4	59

NUMERICAL INDEX OF PARTS

PART NO	PAGE	REF NO.	PART NO	PAGE	REF NO.	PART NO	PAGE	REF NO.
26260901	4	64	40006665	10	20	40010426	6	23
26261008	4	65	40006666	10	14	40010426	54	5
26261107	4	66	40006671	10	24	40010426	62	5
26261206	4	72	40006678	10	46	40010439	8	65
26261305	4	70	40006712	20	6	40010440	8	66
26261503	4	78	40006716	10	9	40010443	10	16
26261602	4	60	40006716	20	9	40010450	10	31
26261701	4	61	40006717	20	11	40010451	10	37
26500306	8	61	40006737	22	24	40010455	10	39
26501502	22	9	40006738	22	17	40010457	10	40
26501858	14	24	40006739	22	25	40010458	10	41
40004254	10	5	40006740	22	22	40010460	10	34
40005390	38	14~16	40006761	26	22	40010464	14	6
40005390	40	7~9	40006762	74	3	40010467	14	7
40005712	50	12	40006765	74	4	40010469	14	8
40005728	40	15	40006776	26	29	40010470	6	38
40005728	44	2	40006776	74	25	40010470	16	71
40005732	28	3	40006780	26	11	40010471	14	18
40005732	40	20	40006781	74	12	40010475	16	57
40005734	28	12	40006836	16	65	40010477	18	6
40006323	42	13	40006840	16	64	40010478	18	39
40006475	2	1	40006912	40	16	40010479	18	8
40006478	2	3	40006912	44	31	40010482	18	11
40006481	2	10	40006913	44	35	40010486	18	15
40006484	42	3	40006914	44	44	40010487	18	17
40006485	78	5	40006935	48	1	40010489	18	22
40006487	2	7	40006935	58	2	40010490	18	20
40006488	2	8	40006935	66	2	40010492	18	12
40006495	28	6	40006937	56	50	40010495	18	13
40006495	40	18	40006937	62	26	40010497	18	21
40006496	28	7	40008693	10	27	40010498	18	23
40006497	28	9	40009290	2	21	40010500	18	25
40006515	8	55	40009860	56	53	40010503	18	27
40006516	6	44	40009860	62	29	40010504	18	28
40006525	44	39	40010103	92	50	40010508	18	32
40006525	50	3	40010404	2	5	40010509	18	44
40006525	56	54	40010405	2	13	40010510	18	33
40006525	62	30	40010414	2	31	40010511	18	34
40006575	14	37	40010417	6	3	40010512	18	35
40006577	14	28	40010424	6	21	40010513	18	36
40006578	14	15	40010424	54	3	40010514	18	37
40006617	18	5	40010424	62	3	40010515	18	38
40006622	18	26	40010425	6	22	40010521	18	41
40006625	18	4	40010425	54	4	40010522	18	42
40006661	10	8	40010425	62	4	40010523	18	43

NUMERICAL INDEX OF PARTS

PART NO	PAGE	REF NO.	PART NO	PAGE	REF NO.	PART NO	PAGE	REF NO.
40010525	20	12	40021875	86	90·96~98	40085790	30	8
40010526	20	16	40021876	84	83~88	40085791	30	9
40010527	26	25	40021877	84	92~95	40085792	30	10
40010536	22	7	40021878	86	90·96~98	40085793	30	11
40010570	24	71	40021879	84	83~88	40085794	30	12
40010571	2	35	40021880	86	92~95	40085795	30	13
40010574	8	50	40021881	86	90·96~98	40085796	30	16
40010575	14	13	40021882	84	83~88	40089365	14	19
40010589	74	9	40023371	38	14~16	40089982	52	51
40010590	26	10	40023371	40	7~9	40090010	52	52
40010879	16	51·52	40023635	70	20	40090011	50	46
40011152	26	27	40023831	10	11	40090012	50	41
40011152	74	23	40026818	6	14	40090058	6	47
40011511	16	51·52	40030828	2	29·85	40096325	30	14
40011512	16	48·49	40030939	6	12	40096326	30	17
40011949	44	3	40030942	26	17	40096327	30	19
40011949	54	17	40030942	74	17	40096354	30	1
40011949	62	17	40030943	26	15	40102261	2	45
40012127	14	2	40033047	56	51	40103154	24	68
40012815	26	19	40033047	62	27	40103155	24	67
40012815	74	19	40033635	78	12	40105465	34	15·35
40013721	14	4	40036110	42	12	40105465	40	26·27
40013967	18	45	40039013	22	41	40110812	8	64
40014963	16	48·49	40040256	10	6	40110813	8	67
40014965	16	66~68	40040256	20	4	40110825	6	7
40015800	26	5	40042134	38	7	40110827	16	59
40015800	74	5	40048536	42	1	40110830	14	10
40016194	42	32	40051987	42	4	40110841	6	25
40016195	42	11	40052810	78	7	40110841	54	7
40017202	10	42	40076232	26	16	40110841	62	7
40021851	84	56·58·76·77	40076233	26	3	40110842	6	26
40021852	84	57·59·78·79	40076236	26	12	40110842	54	8
40021853	84	56·58·76·77	40076237	26	9	40110842	62	8
40021854	84	57·59·78·79	40076238	26	4	40110844	42	22
40021855	84	80~82	40076239	26	14	40110846	16	66~68
40021856	84	80~82	40083882	10	26	40110846	44	9
40021857	84	80~82	40083883	22	36	40110846	50	16·17
40021858	84	83~88	40083884	24	48	40110846	54	19
40021859	84	83~88	40083885	22	45	40110846	62	19
40021869	84	91	40085784	30	2	40110856	14	38
40021870	84	89	40085785	30	3	40111214	34	17
40021871	84	92~95	40085786	30	4	40111214	40	14
40021872	84	90·96~98	40085787	30	5	40112990	6	6
40021873	84	83~88	40085788	30	6	40112993	6	11
40021874	84	92~95	40085789	30	7	40112994	14	11

NUMERICAL INDEX OF PARTS

PART NO	PAGE	REF NO.	PART NO	PAGE	REF NO.	PART NO	PAGE	REF NO.
40112995	16	66~68	40142665	34	1~6	40142735	22	27
40112995	50	16·17	40142674	2	15	40142736	22	42
40113427	38	9·10	40142675	2	20	40142737	26	1
40113427	40	10·11	40142677	2	18	40142738	74	21
40114136	36	49	40142677	62	42	40142739	26	26
40114373	36	53	40142678	6	1	40142739	74	22
40114373	40	28	40142681	8	57	40142740	4	56
40114375	36	54	40142685	6	2	40142747	28	5
40114375	40	29	40142686	6	4	40142747	40	19
40114398	34	16	40142687	16	55	40142773	4	71
40115874	34	7	40142688	16	56	40142785	54	1
40115876	34	9	40142689	6	19	40142785	62	1
40115877	34	10	40142691	6	20	40142786	54	10
40115878	34	11	40142691	54	2	40142786	62	10
40115879	34	12	40142691	62	2	40142787	54	13
40136292	6	39·40	40142692	6	28	40142787	62	13
40136293	6	41·42	40142693	6	31	40142790	54	14
40137360	34	13·14	40142696	6	32	40142790	62	14
40137360	40	1·35	40142697	6	30	40142806	6	33
40137370	28	16	40142697	54	12	40142807	54	15
40137370	40	21	40142697	62	12	40142807	62	15
40138137	6	37	40142701	6	29	40142812	4	79
40138137	40	13	40142701	54	11	40143093	32	1
40139091	76	8	40142701	62	11	40143988	34	36·48
40139176	22	1	40142704	8	68	40143989	36	36·48
40139176	40	22	40142705	8	48	40143990	34	8
40139177	22	5	40142706	8	49	40144258	4	29·85
40139177	40	23	40142719	14	35	40144511	36	62
40139178	10	1	40142720	20	18~20	40144696	6	41·42
40139178	40	24	40142720	44	10	40144697	6	39·40
40139179	26	30	40142720	50	18·19	40144886	40	3·32~34
40139179	40	25	40142721	20	18~20	40145901	34	15·35
40139179	74	26	40142721	50	18·19	40145901	40	26·27
40141487	36	52	40142722	20	18~20	40146292	38	1·17·18
40141487	40	12	40142723	54	20·21	40146292	40	3·32~34
40141488	36	50	40142724	54	20·21	40146295	36	51
40141488	40	5·6	40142725	20	26	40146295	40	5·6
40142267	34	46	40142725	44	14	40146296	38	3
40142267	40	2	40142725	50	29	40146296	40	4
40142272	38	1·17·18	40142725	54	29	40146806	70	5
40142272	40	3·32~34	40142728	20	1	40146809	70	25
40142273	18	1	40142729	22	3	40146812	66	9
40142273	40	17	40142731	22	11	40146824	70	26
40142663	34	1~6	40142733	22	19	40146825	70	27
40142664	34	1~6	40142734	22	39	40146826	70	22

NUMERICAL INDEX OF PARTS

PART NO	PAGE	REF NO.	PART NO	PAGE	REF NO.	PART NO	PAGE	REF NO.
40146827	70	19	40158171	72	54	B24142800A0	54	37
40146828	66	39	40162659	70	6	B24142800A0	70	43
40146831	66	37	40162660	70	3	B24152800A0	20	31
40146831	80	47	40162662	70	9	B24152800A0	44	19
40146832	62	40	40162664	70	32	B24152800A0	50	34
40146833	62	41	40162665	72	51	B24152800A0	54	36
40146835	62	36·47	40162687	70	10·11	B24152800A0	70	42
40146836	74	11	40162688	70	10·11	B2416280000	20	30
40146837	74	15	40162729	70	1·2	B2416280000	44	18
40146838	74	10	40162730	70	1·2	B2416280000	50	33
40146839	76	12	40162731	70	30·31	B2416280000	54	35
40146850	66	4	40162732	70	30·31	B2416280000	70	41
40146853	62	34	40163455	64	49	B2417280000	20	21
40150131	34	43	40163512	62	33	B2417280000	44	11
40151278	78	43	40163514	74	14	B2417280000	50	25
40151279	78	44	40163515	72	52	B2417280000	54	38
40152920	34	13·14	40163528	74	1	B2417280000	70	44
40152920	40	1·35	40163610	76	2	B2418280000	20	29
40152933	38	1·17·18	A123050000A	8	63	B2418280000	44	17
40152933	40	3·32~34	A4078009000	16	14·75	B2418280000	50	32
40153140	34	1~6	B1111210D00	42	28	B2418280000	54	34
40153141	34	1~6	B1114581000	50	1	B2418280000	70	40
40153142	34	1~6	B1129210000	2	41	B24212800A0	20	41
40153194	40	39	B1144210000	8	60	B24212800A0	44	29
40153195	40	40	B1212210D00	8	59	B24212800A0	50	39
40153195	70	14	B1411552000	8	69	B24212800A0	54	33
40153196	40	37	B1414232000	22	15·46·47	B24212800A0	70	34
40153196	76	13	B141423200A	22	15·46·47	B2423280000	70	7
40153197	40	38	B141423200B	22	15·46·47	B242328000A	20	36~40
40153197	76	14	B1657506E00	44	47	B242328000A	44	24~28
40153212	62	36·47	B1806210D00	16	54·70	B242328000A	50	20~24
40153213	62	37	B1815210000	14	43	B242328000A	54	23~27
40153214	78	34	B1816280000	50	45	B242328000A	70	35~39
40153215	78	35	B1817210DAD	84	47~50	B242328000B	20	36~40
40153216	78	33	B1820210D00	14	20	B242328000B	44	24~28
40153218	68	51	B1821210D00	14	21	B242328000B	50	20~24
40153218	78	39	B1822215P00	14	22	B242328000B	54	23~27
40153219	68	1·52	B1828210DAA	16	53·69	B242328000B	70	35~39
40153234	68	54	B18289800BB	16	53·69	B242328000C	20	36~40
40153235	68	53	B185351200E	56	48	B242328000C	44	24~28
40153246	76	22	B185351200E	62	24	B242328000C	50	20~24
40153248	76	23	B2406372000	90	25	B242328000C	54	23~27
40156963	64	48	B24142800A0	20	32	B242328000C	70	35~39
40157670	70	13	B24142800A0	44	20	B242328000D	20	36~40
40158169	72	56	B24142800A0	50	35	B242328000D	44	24~28

NUMERICAL INDEX OF PARTS

PART NO	PAGE	REF NO.	PART NO	PAGE	REF NO.	PART NO	PAGE	REF NO.
B242328000D	50	20~24	BT0600401EB	76	21	EA9500B0100	76	27
B242328000D	54	23~27	BT0800501EB	76	18	EA9500B0100	80	50
B242328000D	70	35~39	BT1200801EF	76	24	EA9500B0200	28	2
B242328000E	20	36~40	CM100100001	4	82	GAF01007000	6	18
B242328000E	44	24~28	CM300100001	34	39	GPF060600A0	32	19
B242328000E	50	20~24	CM300100402	34	41	GPF06080000	32	18
B242328000E	54	23~27	CM300200001	4	80	GPK570010B0	38	12
B242328000E	70	35~39	CM300200002	2	43	HA004250000	38	9·10
B2424280000	20	27	CM300400602	34	40	HA004250000	40	10·11
B2424280000	44	15	CM600100101	34	42	HD00057000A	10	18
B2424280000	50	30	CM600100101	38	23	HD00057000A	40	31
B2424280000	54	32	CQ200000000	14	31	HD002230000	20	14
B2424280000	70	33	CS0640811SP	90	20	HD002230000	40	30
B2426280000	20	22~24	D1401M1YC0A	90	41	HF0013050P0	36	58·59
B2426280000	44	12	D1405L7AM00	8	51	HF0013050P0	38	6
B2426280000	50	26·27	D1405L7AM00	50	4	HF003000200	36	58·59
B2426280000	82	42~46	D2113555B00	76	10	HF003000200	38	5
B242628000B	82	42~46	D2426282C00	20	22~24	HK03461004A	44	33·34
B2509704000	22	18	D2426282C00	82	42~46	HK034640000	44	33·34
B2548372000	58	37	D2426MMCK00	82	42~46	HN001490000	38	20
B2548372000	66	25	D2511232D00	48	17	HN00149000A	38	22
B2549280000	52	56	D2512232D00	48	16	HN002460000	38	19
B2549372000	58	38	D2515232D00	48	23	HN002840000	38	21
B2549372000	66	26	D2520232DA0	48	28	HX00150000B	16	61
B2552372000	58	9	D2521232DA0	48	29	HX00150000D	14	1
B2553372000	58	39	D2527232D00	48	42	HX00150000F	78	40
B2553372000	66	27	D2527232D00	60	55	HX00150000H	80	49
B2560372000	58	40	D2527232D00	66	43	HX00150000K	28	17
B2560372000	66	28	D2528232D00	48	43	HX00150000N	78	41
B2619372000	54	47	D2529232D00	48	44	HX00222000D	34	20
B2619372000	62	23	D2545232D0A	48	10~12	HX00292000A	34	21
B302745000B	46	49	D2545232D0B	48	10~12	HX00314000D	64	51
B3117352000	48	41	D2545232D0C	48	10~12	HX00339000M	34	22
B3126012000	2	25	D2548232D00	60	49	KX000000260	34	19
B8101210AAB	32	6	D2548232D00	66	5	KX000000320	34	18
B8105210AAA	32	7	D2548232D00	90	35	KX000000380	28	4
B81085550A0	32	27	D3130M1YC00	58	35	M300451100A	36	60
B8153771000	32	16	D3130M1YC00	66	23	M300451100A	38	4
B8202205000	42	20	D7133555B00	2	26	M8002430000	34	34
B9121012000	42	19	D8113555B00	32	17	M90135900A0	38	13
B91212200A0	42	18	D8204555D00	32	33	M90175800A0	38	14~16
BT0400251EB	72	59	E8760452S00	34	45	M90175800A0	40	7~9
BT0400251EB	76	11	EA9500B0100	14	14·75	MAO11532000	38	8
BT0600401E0	64	50	EA9500B0100	28	14	MAZ15502000	60	50·51
BT0600401E0	72	60	EA9500B0100	34	44	MAZ15507000	58	16

NUMERICAL INDEX OF PARTS

PART NO	PAGE	REF NO.	PART NO	PAGE	REF NO.	PART NO	PAGE	REF NO.
MAZ15507000	78	22	MAZ160090A0	90	23	NS6110310SP	2	28
MAZ15508000	58	22	MAZ16010000	90	22	NS6110530SP	48	14
MAZ15508000	78	28	MAZ16011000	90	13	NS6120480SP	48	32
MAZ15509000	58	17	MAZ16012000	90	3	NS6150310SP	58	46
MAZ15509000	78	23	MAZ16013000	90	4	NS6150310SP	66	34
MAZ15510000	58	23	MAZ16014000	90	11	NS6150310SP	90	36
MAZ15510000	78	31	MAZ16015000	90	45	PA1000402A0	72	58
MAZ15513000	58	10	MAZ160170A0	90	42	PA1000601A0	70	16
MAZ15513000	66	10	MAZ16021000	90	47	PD02010000B	44	6
MAZ15514000	58	11	MAZ16022000	90	39	PJ025200004	76	1
MAZ15514000	66	11	MAZ16023000	90	40	PJ046039001	70	18
MAZ15514000	90	33	MDP170B1100	62	31·46	PJ210006100	76	7
MAZ15515000	58	12	MDP170B1102	80	1~4·48	PJ301060003	76	26
MAZ15515000	66	12	MDP170B1400	56	55	PJ308080003	76	19
MAZ15515000	90	9	MDP170B1400	62	31·46	PJ308085202	76	3
MAZ15516000	60	60	MDP170B1402	78	1~4·48	PS0400142KH	8	62
MAZ15516000	68	48	MDP170B2100	8	52~54	PV120205000	40	36
MAZ15601000	54	30·31	MDP170B2100	50	5·6	PV120206000	76	4
MAZ15602000	60	50·51	MDP170B2102	42	29~31	PV1502060A0	76	6
MAZ15701000	88	8	MDP170B2102	78	1~4·48	RC0410415KP	44	43
MAZ15702000	88	9	MDP500B1100	8	52~54	RC0470611KP	10	44
MAZ157070AB	88	11	MDP500B1102	42	29~31	RC0470611KP	54	44
MAZ157070BB	88	10	MDP500B1400	8	52~54	RC0470611KP	62	21
MAZ157080AB	88	15	MDP500B1400	44	1	RC0560711KP	4	57
MAZ157080BB	88	14	MDP500B1400	50	5·6	RE0200000K0	26	7
MAZ15709000	88	12	MDP500B1402	42	29~31	RE0200000K0	74	7
MAZ15710000	88	16	MDP500B1402	78	1~4·48	RE0300000K0	6	34
MAZ15801000	54	30·31	MDP500B1602	78	1~4·48	RE0300000K0	14	23
MAZ158070AB	58	28	MTQ300B1400	92	48	RE0300000K0	54	16
MAZ158070AB	66	16	MTSHJ100003	36	61	RE0300000K0	62	16
MAZ158070BB	58	27	NM6030001SC	18	24	RE0300000K0	70	21
MAZ158070BB	66	15	NM6030003SC	26	2	RE0400000K0	4	58
MAZ158080AB	58	32	NM6040000SN	2	36	RE0700000K0	48	20
MAZ158080AB	66	20	NM6040001SP	10	7	RE0700000K0	58	47
MAZ158080BB	58	31	NM6040001SP	20	5	RE0700000K0	66	35
MAZ158080BB	66	19	NM6040003SC	18	18	RE0700000K0	90	8
MAZ15809000	58	29	NM6050001SE	30	24	RE0800000K0	6	17
MAZ15809000	66	17	NM6050001SP	10	22	RE0900000K0	18	3
MAZ15810000	58	33	NM6050001SP	20	8	SB110002400	10	3
MAZ15810000	66	21	NM6060001CP	10	30	SB110002400	14	9
MAZ16002000	90	27	NM6060001SC	42	35	SB3080010CA	14	39~42
MAZ1600300A	90	28	NM6060003SC	10	43	SB3080010CB	14	39~42
MAZ16004000	90	15	NM6080002SC	36	57	SB3080010CC	14	39~42
MAZ16005000	90	18	NM6080721SE	32	26	SB3080010CD	14	39~42
MAZ16009000	90	24	NM6120001SE	32	28	SD0350156TP	26	32

NUMERICAL INDEX OF PARTS

PART NO	PAGE	REF NO.	PART NO	PAGE	REF NO.	PART NO	PAGE	REF NO.
SD0350156TP	74	28	SL4040891SC	14	62	SM4061255SP	50	2
SD0400266TP	26	8	SL4040891SC	16	62	SM5030501SC	22	28
SD0400266TP	74	8	SL4041091SC	78	42	SM5040655SN	4	67
SD0500091TP	20	42	SL4041281SC	34	33	SM5040855SN	2	84
SD0500091TP	44	30	SL4041291SC	20	15	SM5040855SN	4	84
SD0500091TP	50	40	SL4042091SC	34	32	SM5040855SN	48	46
SD0500091TP	54	40	SL6040892TN	2	14	SM5040855SN	60	59
SD0500091TP	70	46	SL6040892TN	46	50	SM5040855SN	66	47
SD0500166TP	70	23	SL6040892TN	92	51	SM6020250TP	62	39
SD0550181SP	58	42	SL6052592TN	8	56	SM6020350SP	26	13
SD0550181SP	66	30	SL9082091SE	32	13	SM6020350SP	74	13
SD0550271TP	48	30	SM1030601SP	6	8	SM6020450TP	26	23
SD0550301SP	58	43	SM1040650TP	20	43	SM6020450TP	74	16
SD0550301SP	66	31	SM1040650TP	22	26	SM6020460TP	14	44
SD0600206TP	10	35	SM1040650TP	44	45	SM6020460TP	62	38
SD0600207TP	72	57	SM1040650TP	50	11	SM6030500SN	44	41
SD0600326TP	70	29	SM1040650TP	54	46	SM6030500SN	50	8
SD0640216TP	10	45	SM1040650TP	72	55	SM6030500SN	54	43
SD0640216TP	54	45	SM1040950TP	68	55	SM6030500SN	62	20
SD0640216TP	62	22	SM2360110TP	26	20	SM6030650TP	70	15
SD0640321TP	90	46	SM2360110TP	74	2	SM6030800SP	62	35
SD0640391TP	58	41	SM3030552TN	2	19	SM6031602TP	70	17
SD0640391TP	66	29	SM3030552TN	62	43	SM6040502TP	14	3
SD0700406TP	10	23	SM3061052TP	22	34	SM6040602TP	18	14
SD0790606TP	10	29	SM3061052TP	50	14	SM6040650TP	2	40
SD0791276TP	56	49	SM4020600SP	26	18	SM6040650TP	14	63
SD0791276TP	62	25	SM4020600SP	74	18	SM6040650TP	16	63
SD0800327TP	10	21	SM4021201SC	28	13	SM6040650TP	22	23
SD0800327TP	20	7	SM4030455SP	14	29	SM6040650TP	26	21
SD0800407TP	26	28	SM4030601SN	2	44	SM6040650TP	74	29
SD0800407TP	74	24	SM4030855SN	2	30	SM6040802TP	10	17
SD1000406TP	10	33	SM4040655SP	42	6	SM6040802TP	18	9
SD1201506TP	44	5	SM4040655SP	78	45	SM6040802TP	20	13
SK3311601SE	32	34	SM4040855SP	10	47	SM6040802TP	22	40
SK3311601SE	42	21	SM4040855SP	20	17	SM6040860TP	2	42
SK3382001SE	38	2	SM4040855SP	28	21	SM6041050TP	18	16
SK3412001SE	78	14	SM4040855SP	42	7	SM6041150TP	4	52
SK3512001SE	38	11	SM4041055SP	2	12	SM6041150TP	22	8
SL4030681SC	44	7	SM4041655SP	22	6	SM6041150TP	78	9
SL4030881SC	34	38	SM4042055SP	22	37	SM6041202TP	26	31
SL4030881SC	44	36	SM4050855SP	2	6	SM6041202TP	74	27
SL4031291SC	10	19	SM4050855SP	28	15	SM6051602TP	10	2
SL4040681SC	18	46	SM4051405SE	30	23	SM6060550TP	6	13
SL4040881SC	34	37	SM4061255SP	2	34	SM6061202TP	48	4
SL4040881SF	28	19	SM4061255SP	44	40	SM6061202TP	78	13

NUMERICAL INDEX OF PARTS

PART NO	PAGE	REF NO.	PART NO	PAGE	REF NO.	PART NO	PAGE	REF NO.
SM6061802TP	10	28	SS1060210TP	70	53	SS8110410TP	90	21
SM6061802TP	24	69	SS1060210TP	72	53	SS8150510TP	22	44
SM6061802TP	44	42	SS1110640TP	48	27	SS8150822TP	50	44
SM6061802TP	56	56	SS1110640TP	82	27	SS9090813TP	78	36
SM6061802TP	62	32	SS2060310SP	58	26	SS9110460CP	48	39
SM6066002TN	42	34	SS2060310SP	78	32	SS9110460CP	58	45
SM6083002TN	42	9	SS2110930SP	24	56	SS9110460CP	66	33
SM7030550TP	6	35	SS5060310SP	56	52	SS9110460CP	90	37
SM8030412TP	18	7	SS5060310SP	62	28	SS9110543CP	60	52
SM8030412TP	66	38	SS6080340SP	78	38	SS9110543CP	66	40
SM8040302TP	82	71	SS6090612TP	90	44	SS9110920CP	48	21
SM8040302TP	84	71	SS6090670TP	6	46	SS9111010SP	90	30
SM8040310SS	6	45	SS6110430TP	20	33	SS9151120CP	48	8
SM8040802TP	4	76	SS6110430TP	44	21	SS9151120CP	60	61
SM8050402TP	10	15	SS6110430TP	50	36	SS9151120CP	68	49
SM8050502TP	4	74	SS6110430TP	54	42	SS9621413SP	58	44
SM8050512TP	24	49	SS6110430TP	72	48	SS9621413SP	66	32
SM8050592TP	20	2	SS6110480SP	90	29	SS9621413SP	90	38
SM80506A2TP	6	43	SS6111052TP	90	16	ST9053511SR	32	3
SM80506A2TP	54	9	SS6120940SP	52	60	TA0750704R0	4	48
SM80506A2TP	62	9	SS6121212TP	16	50	TA0850604R0	4	49
SM8060602TP	22	10	SS7090410SP	20	28	TA1050504R0	4	50
SM8060612TP	2	22	SS7090410SP	44	16	TA1250406R0	4	51
SM8060612TP	14	12	SS7090410SP	50	31	TA1470704R0	4	86
SM8060612TP	22	20	SS7090410SP	54	22	TA1550902R0	4	54
SM8060612TP	52	53	SS7090410SP	58	34	TA2100904R0	4	87
SM80606A2TP	18	47	SS7090410SP	66	22	WP0320500SC	26	6
SM8060812TP	6	15	SS7090410SP	72	49	WP0320500SC	74	6
SM8060812TP	10	10	SS7090410SP	78	30	WP0370316SD	74	20
SM8060812TP	14	17	SS7090410SP	88	17	WP0370316SD	78	37
SM8060812TP	20	10	SS7090510SP	90	19	WP0420516KH	70	28
SM8060812TP	22	16	SS7090610SP	48	37	WP0430800SC	36	47
SM80608A2TP	8	58	SS7110510SP	48	24	WP0430800SC	80	46
SM8061010TP	14	16	SS7110710SP	84	64	WP0450801SD	18	10
SM8061050TP	16	72	SS7110740TP	20	35	WP0450801SD	42	8
SM8480652TP	6	10	SS7110740TP	24	57	WP0450801SD	78	10
SM8480652TP	16	74	SS7110740TP	44	23	WP0450801SP	12	49
SM8480662TP	22	4	SS7110740TP	50	58	WP0450801SP	20	3
SM9061203SE	32	20	SS7110740TP	52	58	WP0450801SP	22	50
SM9061403CP	48	2	SS7110740TP	54	41	WP0450801SP	24	50
SM9082023SE	32	23	SS7110740TP	70	47	WP0450826SC	4	68
SS1060210TP	20	25	SS7110740TP	90	26	WP0450846SP	20	34
SS1060210TP	44	13	SS7120910TP	52	48	WP0450846SP	44	22
SS1060210TP	50	28	SS7151210SP	52	55	WP0450846SP	50	37
SS1060210TP	54	39	SS8080310TP	24	60	WP0450846SP	54	28

NUMERICAL INDEX OF PARTS

PART NO	PAGE	REF NO.
WP0450846SP	72	50
WP0451026SH	70	24
WP0482086SD	90	31
WP0501016SD	48	40
WP0501016SD	60	53
WP0501016SD	66	41
WP0501016SD	90	32
WP0510516SD	70	12
WP0531001SC	30	22
WP0612516SD	48	9
WP0612516SD	60	62
WP0612516SD	68	50
WP0621016SD	22	70
WP0621016SD	24	70
WP0621016SD	50	9
WP0651056SH	44	4
WP0651646SC	42	36
WP0671016SE	32	21
WP0820516SP	6	24
WP0820516SP	54	6
WP0820516SP	62	6
WP0852086SC	36	55
WP0871602SE	32	24
WP1302501SE	32	29
WP1612616SE	30	15
WS0451040KP	84	63
WS0510002KN	30	21
WS0610002KN	42	10
WS0621210KR	32	22
WS0820002KR	36	56
WS0861410KR	32	25
WS1253010KN	32	30