

MODEL : LBH-1790A/LBH-1795A

List No : 1649-06

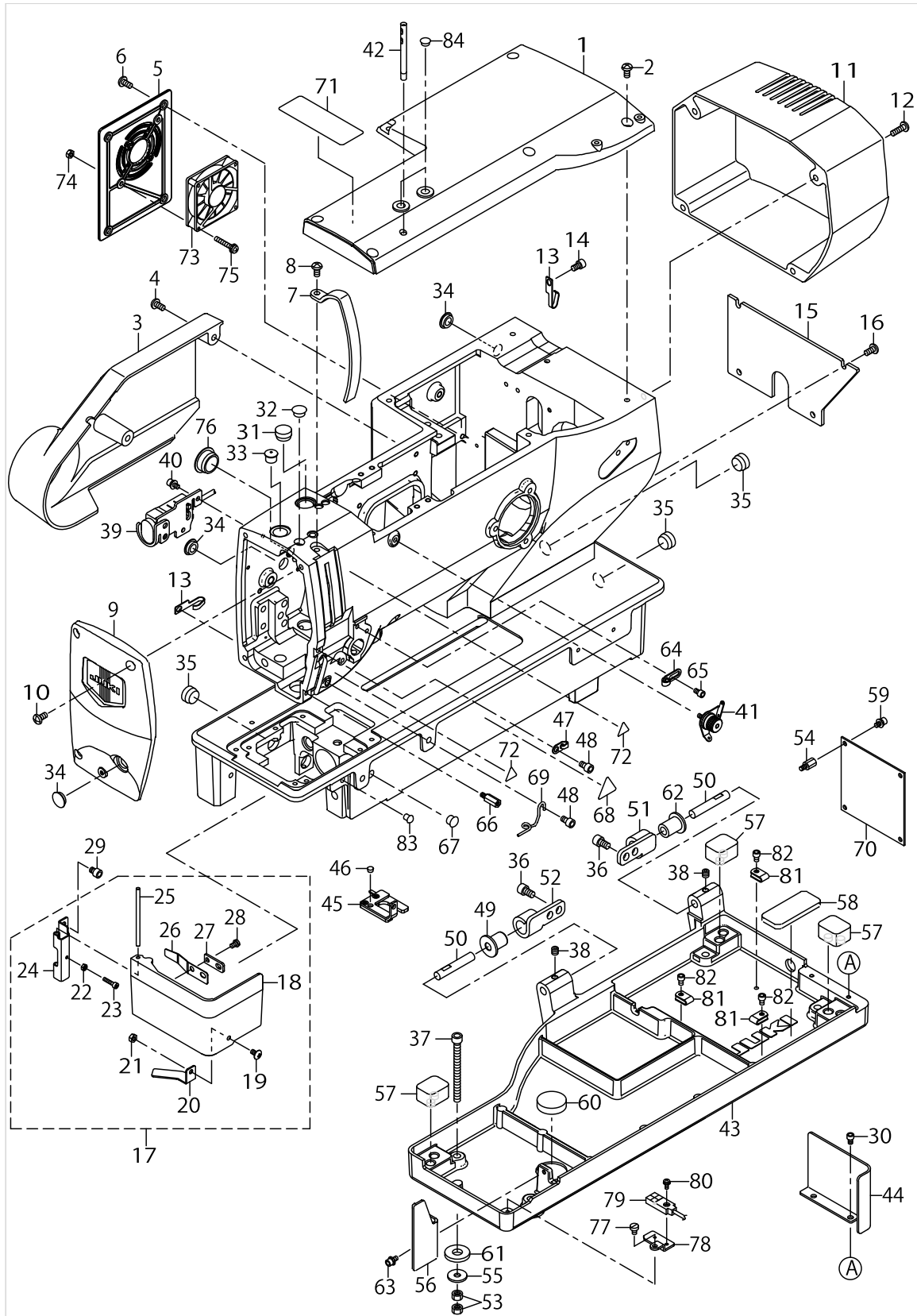
PARTS LIST

Published:12/20/2017

CONTENTS

FRAME & MISCELLANEOUS COVER COMPONENTS (1)	1
FRAME & MISCELLANEOUS COVER COMPONENTS (2)	5
MAIN SHAFT COMPONENTS	9
HOOK DRIVING SHAFT COMPONENTS	13
PRESSER & FEED COMPONENTS	15
PRESSER & FEED COMPONENTS (FOR LBH-1795AS).....	19
NEEDLE BAR ROCKING COMPONENTS	21
NEEDLE THREAD TRIMMER COMPONENTS.....	23
BOBBIN THREAD TRIMMER COMPONENTS.....	27
CLOTH CUTTING KNIFE COMPONENTS	31
TABLE COMPONENTS	33
OPERATION BOX COMPONENTS (ACCESSORIES OF A CONTROL BOX).....	35
CONTROL BOX COMPONENTS	37
WIRING DIAGRAM.....	41
ACCESSORIE PARTS COMPONENTS	43
THREAD STAND COMPONENTS.....	45
SPECIAL SPECIFICATIONS COMPONENTS (1).....	47
SPECIAL SPECIFICATIONS COMPONENTS (2).....	49
EXCHANGING PARTS.....	51
LIST FOR INFORMATION OF CHANGE.....	53
HOW TO MAKE USE OF THIS PARTS LIST	54

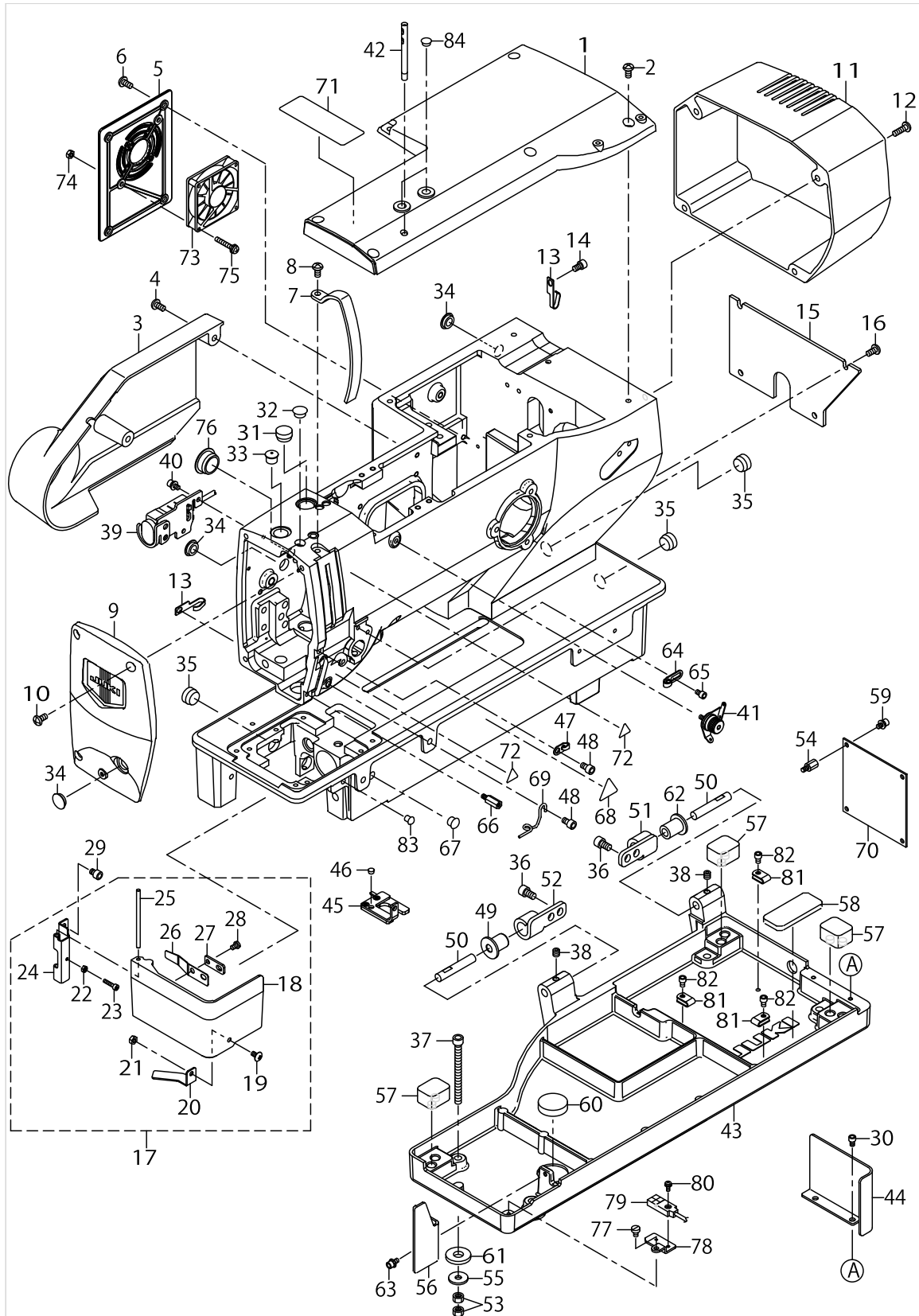
FRAME & MISCELLANEOUS COVER COMPONENTS (1)



FRAME & MISCELLANEOUS COVER COMPONENTS (1)

No.	Parts No.	Parts name	Remarks	Level	Cons	Qty
1	40143770	UPPER COVER				1
2	SM4051055SP	SCREW				6
3	40141709	LEFT_COVER				1
4	SM4051055SP	SCREW				2
5	40165706	LEFT COVER B				1
6	SM4051055SP	SCREW				4
7	40004157	THREAD_TAKE_UP_LEVER_COVER				1
8	SM4051055SP	SCREW				1
9	40004156	FRONT_COVER				1
10	SM4051055SP	SCREW				3
11	40004159	MOTOR_COVER				1
12	SM4051655SP	SCREW M5 L=16				4
13	26230409	LUBRICATING OIL WICK STOPPER				2
14	SM6050802TP	SCREW M5X0.8 L=8				1
15	40004161	REAR_COVER				1
16	SM4051055SP	SCREW				4
17	40142148	HOOK_OIL_SHIELD_COVER_COMPL.				1
18	40142887	HOOK_OIL_SHIELD_COVER		*		1
19	SM0040801SC	SCREW		*		1
20	40145328	SENSOR SLIT PLATE C		*		1
21	NM6040001SC	NUT M4X0.7 TYPE1		*		1
22	NM6030001SD	NUT M3X0.5		*		1
23	SM6031402TP	SCREW		*		1
24	13703806	HOOK OIL SHIELD HINGE		*		1
25	13703905	HINGE PIN		*		1
26	40141710	HINGE_SPRING		*	☆	1
27	40141711	HINGE_SPRING_WASHER		*		1
28	SM4040655SP	SCREW M4 L=6		*		1
29	SM6050652TP	HEXAGON SOCKET HEAD SCREW M5X6				2
30	SM6040602TP	SCREW M4 L=6				2
31	TA1550902R0	PLUG				1
32	TA1050504R0	RUBBER PLUG				1
33	40141795	PBL_METAL_CAP				1
34	TA1250406R0	RUBBER PLUG D=12.5 L=4				3
35	TA1550902R0	PLUG				3
36	SM6061002TP	SCREW M6 L=10	ACCESSORIE PARTS			4
37	SM6067052TP	HEXAGON BOLT				1
38	SM80606A2TP	SCREW M6 L=6				2
39	32002354	SWITCH ASM.				1
40	SL6040892TN	SCREW				2
41	22528764	PRE-TENSION CONTROLLER ASM.				1
42	22502504	THREAD GUIDE BAR	ACCESSORIE PARTS			1
43	40141714	BED_BASE				1
44	40004160	BED_REAR_COVER				1
45	40141706	ASSY_LED_DEVICE			☆	1
46	TA0500301R0	PLUG 5X5.8 L=3				1
47	13922208	TAKE-UP THREAD GUIDE B				1

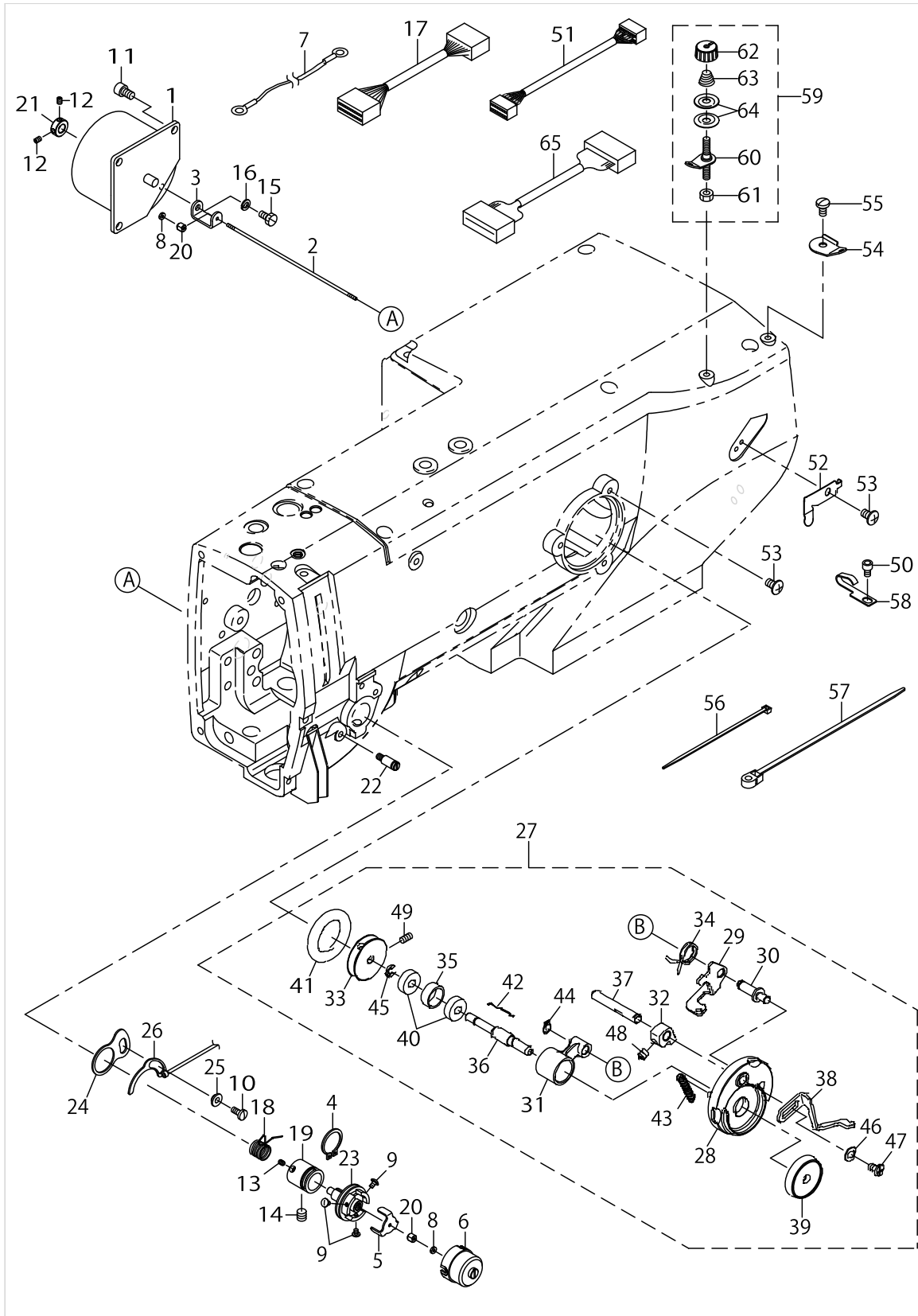
FRAME & MISCELLANEOUS COVER COMPONENTS (1)



FRAME & MISCELLANEOUS COVER COMPONENTS (1)

No.	Parts No.	Parts name	Remarks	Level	Cons	Qty
48	SM6050802TP	SCREW M5X0.8 L=8				2
49	40006314	HINGE_BUSH	ACCESSORIE PARTS			1
50	13700604	HINGE PIN				2
51	13700406	HINGE PLATE A	ACCESSORIE PARTS			1
52	13700505	HINGE PLATE B	ACCESSORIE PARTS			1
53	NM6060001SD	NUT M6				2
54	KX000000380	SPACER				4
55	WP0612056SD	WASHER 6.1X18.5X2				1
56	13943303	OIL SHIELD	ACCESSORIE PARTS			1
57	40008977	RUBBER C				3
58	40008978	RUBBER D				1
59	SL6040892TN	SCREW				4
60	E2002855000	Z STOPPER RUBBER				1
61	D6056555B00	RUBBER CUSHION (B)				1
62	13700703	RUBBER HINGE	ACCESSORIE PARTS			1
63	SL6040892TN	SCREW	ACCESSORIE PARTS			1
64	40009037	TAKE-UP THREAD GUIDE A				1
65	SM6040602TP	SCREW M4 L=6				1
66	40141713	STUD				1
67	TA0850604R0	RUBBER PLUG				1
68	CM300200003	ATTENTION LABEL				1
69	13705405	NEEDLE BAR THREAD GUIDE				1
70	40138611	INT PCB ASSY				1
71	CM301300001	SAFETY LABEL				1
72	CM300200001	ATTENTION SEAL				2
73	40111214	FAN MOTOR ASSY				1
74	NM6040001SC	NUT M4X0.7 TYPE1				2
75	SL4042591SC	SCREW M4 L=25				2
76	TA2100904R0	RUBBER PLUG				1
77	SM6040650TP	SCREW				1
78	40145327	SENSOR PALTE C				1
79	40141483	COVER SENSOR ASSY				1
80	SL4030881SC	SCREW M3 L=8				1
81	HX001500000	CLIP				3
82	SM6040602TP	SCREW M4 L=6				3
83	TA0550604R0	RUBBER PLUG				1
84	TA0750404R0	PLUG D=7.5 L=3.5				2

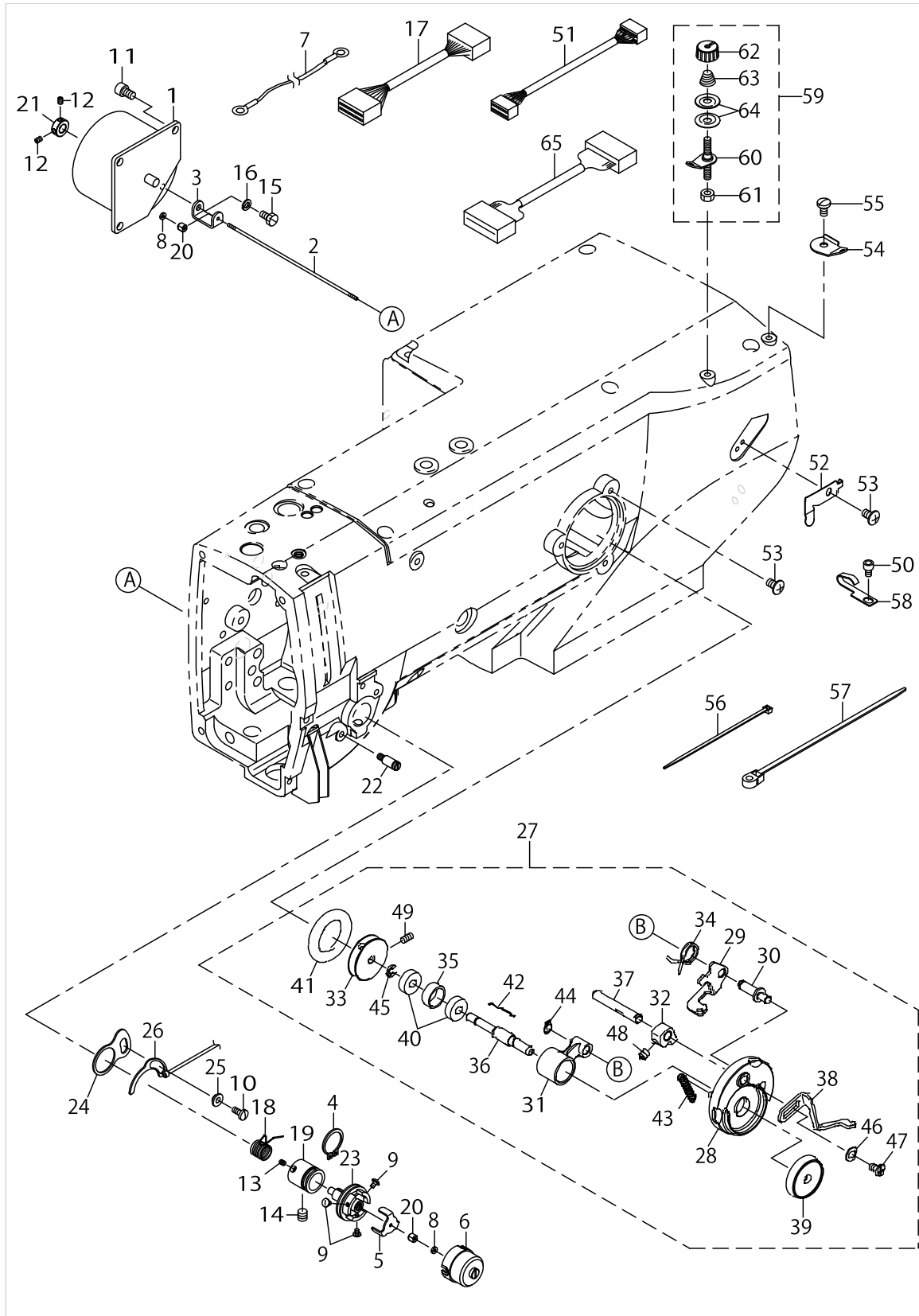
FRAME & MISCELLANEOUS COVER COMPONENTS (2)



FRAME & MISCELLANEOUS COVER COMPONENTS (2)

No.	Parts No.	Parts name	Remarks	Level	Cons	Qty
1	40006261	ASSY_AT_SOLENOID				1
2	40006263	AT_SHAFT				1
3	40006264	AT_SHAFT_HOLDER				1
4	RC1700001KP	RETAINING RING				1
5	40010514	DISK_STOPPER				1
6	40010511	DISK_STOPPER_HOLDER_CAP				1
7	14115554	HEAD GROUND CABLE A ASM.				1
8	40010522	SHAFT_NUT				2
9	SM0860400SN	SCREW				3
10	SM6040860TP	SCREW M4 L=8				1
11	SM6050802TP	SCREW M5X0.8 L=8				3
12	SM8030412TP	SCREW				2
13	SM8030412TP	SCREW				1
14	SM80606A2TP	SCREW M6 L=6				1
15	SM9040800SP	SCREW				1
16	WS0410002KP	SPRING WASHER				1
17	40141478	INT CORE B ASSY				1
18	10006104	TAKE-UP SPRING			☆	1
19	40010510	THREAD_TENSION_POST_BASE				1
20	40010512	THREAD_TENSION_SHAFT_COLLAR				2
21	32055402	THRUST COLLAR				1
22	40004252	UTT_SUSPENSION_SCREW_9				1
23	40006265	ASSY_THREAD_TENSION_POST				1
24	B2702210000	GUIDE PLATE				1
25	B2703210000	BUSHING				1
26	40003499	THREAD BREAK DETECTOR A				1
27	40011143	ASSY_BTW				1
28	26260109	BTW_BASE		*		1
29	26260208	BTW_CAM_PLATE		*		1
30	26260307	BTW_BASE_SHAFT		*		1
31	26260406	BTW_SHAFT_BASE		*		1
32	26260505	BTW_CAM_LEVER		*		1
33	26260604	BTW_WHEEL		*		1
34	40011144	BTW_TORSION_SPRING		*		1
35	26260802	BTW_BEARING_SPACER		*		1
36	40011145	BTW_SHAFT		*		1
37	40011146	BTW_LEVER_SHAFT		*		1
38	40021933	BTW_LEVER		*		1
39	26261206	BTW_SPACER		*		1
40	26261305	BTW_BEARING		*		2
41	26261503	BTW_WHEEL_RUBBER		*	☆	1
42	26261602	BOBBIN_SPRING		*	☆	1
43	26261701	BTW_SPRING		*		1
44	RC0560711KP	RETAINING RING		*		1
45	RE0400000K0	E-RING 4		*		1
46	WP0450826SC	WASHER 4.5X10X0.8		*		1
47	SM5040655SN	SCREW		*		1

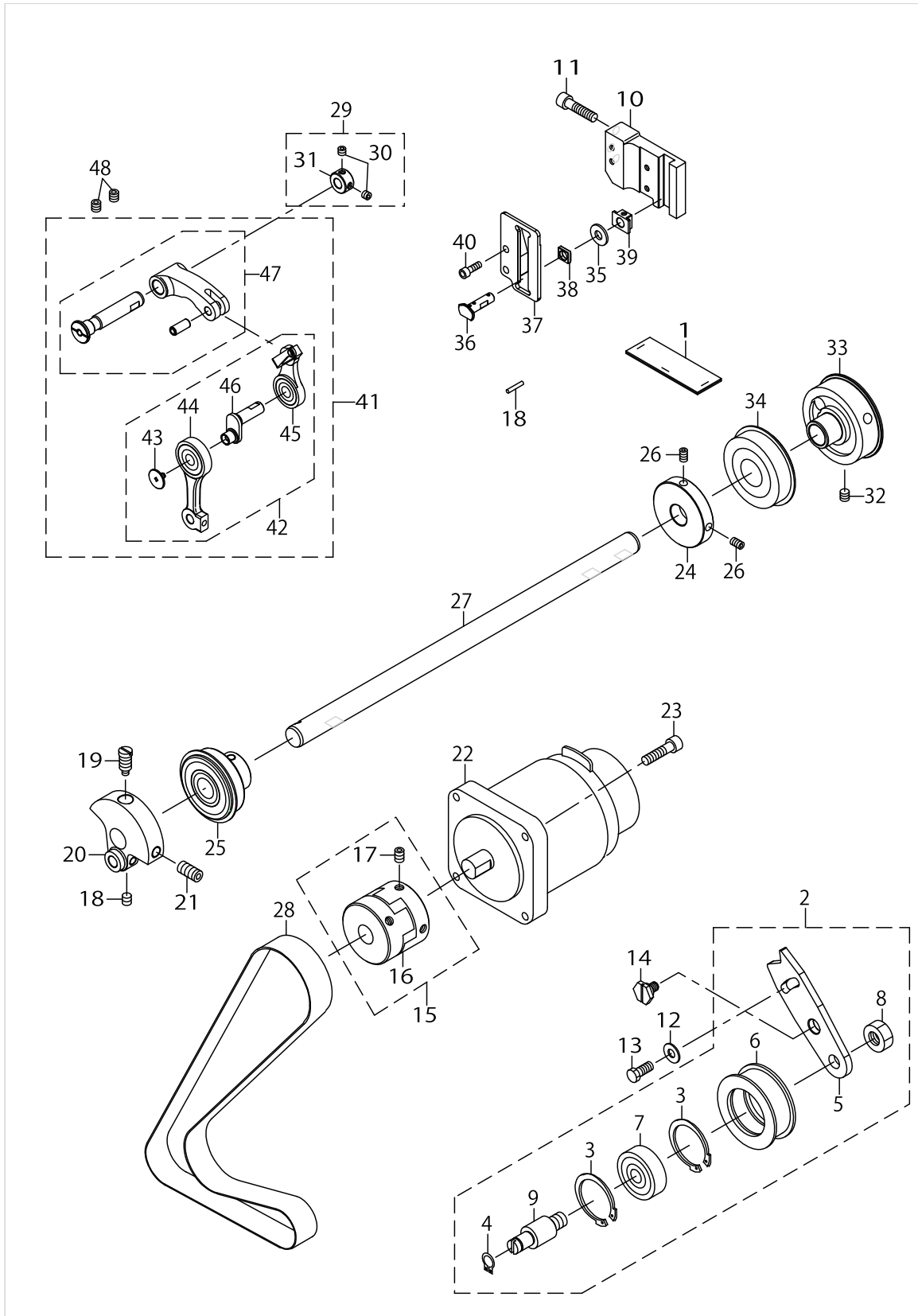
FRAME & MISCELLANEOUS COVER COMPONENTS (2)



FRAME & MISCELLANEOUS COVER COMPONENTS (2)

No.	Parts No.	Parts name	Remarks	Level	Cons	Qty
48	SM8050502TP	SCREW M5 L=5		*		1
49	SM8040802TP	SCREW M4X8		*		2
50	SM6040602TP	SCREW M4 L=6				2
51	40141479	INT CORD C ASSY				1
52	40037008	THREAD_CUTTER			☆	1
53	SM0050801SC	SCREW				4
54	D3162555B00	THREAD GUIDE				1
55	SS7110840SP	SCREW 11/64-40 L=7.8				1
56	EA9500B0100	CABLE BAND				10
57	HX00151000A	CABLE BAND				2
58	26230409	LUBRICATING OIL WICK STOPPER				3
59	22529481	BOBBIN THREAD TENSION ASM.				1
60	22529473	BOBBIN THREAD TENSION ROD ASM.		*		1
61	NS6110310SP	NUT 11/64-40		*		1
62	11072402	THREAD TENSION NUT		*		1
63	11093606	THREAD TENSION SPRING		*		1
64	B3214047000	BOBBIN WINDER TENSION DISC		*		2
65	40141477	INT CORD A ASSY				1

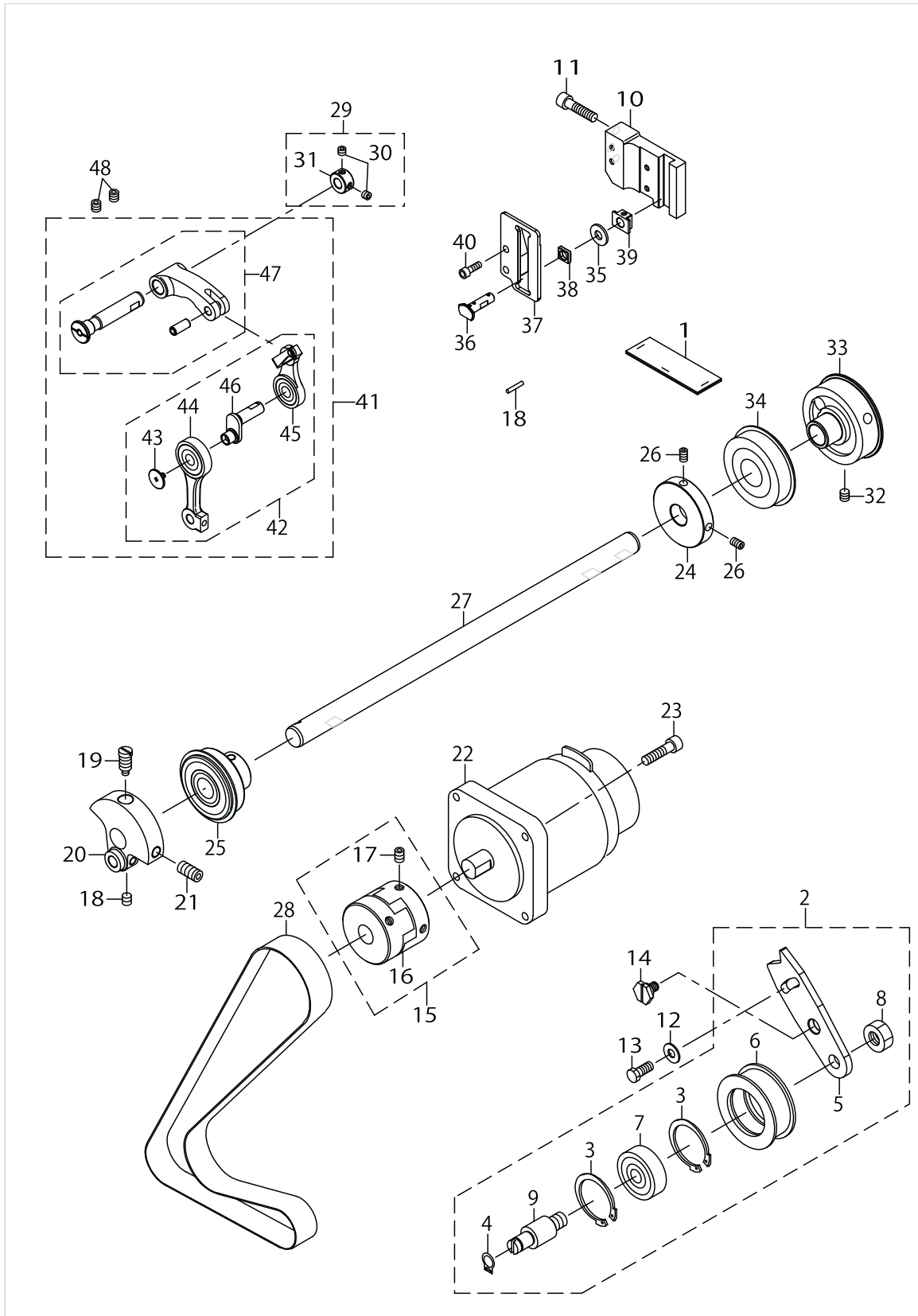
MAIN SHAFT COMPONENTS



MAIN SHAFT COMPONENTS

No.	Parts No.	Parts name	Remarks	Level	Cons	Qty
1	40011517	NEEDLE_BAR_CRANK_FELT				1
2	40142152	IDLER_ASSY				1
3	RC3781518KP	RETAINING RING		*		2
4	RC0100001KP	SNAP RING M10		*		1
5	40143150	IDLER FIXED PLATE		*		1
6	40141721	IDLER_PULLEY		*		1
7	SB110000700	BALL BEARING		*		1
8	NM6100001SD	NUT M10		*		1
9	40141720	IDLER_SHAFT		*		1
10	40006307	SQUARE_BLOCK_GUIDE				1
11	SM6062502TP	SCREW M6 L=25				3
12	WP0621046SP	WASHER				1
13	SM9061403CP	SCREW M6 L=14				1
14	40004185	HINGE_SCREW				1
15	40051473	COUPLING ASM.				1
16	40051474	COUPLING		*		1
17	SM80608A2TP	SCREW M6 L=8		*		4
18	CQ252000000	OIL WICK				0.014
19	40004171	COUNTER_WEIGHT_SCREW				1
20	40141716	COUNTER_WEIGHT				1
21	SM8081652TP	SCREW M8 L=16				1
22	40138137	IPM550W MOTOR				1
23	SM6052002TR	SCREW M5 L=20				4
24	40010534	BTW_DRIVING_WHEEL				1
25	40150011	FRONT_BEARING				1
26	40010535	DRIVING_WHEEL_SCREW				2
27	40141717	MAIN_SHAFT				1
28	40141719	TIMING_BELT				1
29	40032269	THRUST COLLAR				1
30	SM80506A2TP	SCREW M5 L=6		*		2
31	CS1000881TP	THRUST COLLAR		*		1
32	SM80606A2TP	SCREW M6 L=6				2
33	40141718	SPROCKET_A				1
34	SB1200008C0	BEARING				1
35	40008423	WASHER				1
36	40165704	NEEDLE CRANK SHAFT				1
37	40165701	SQUARE BLOCK GUIDE B				1
38	40165703	SQUARE BLOCK B				1
39	40004206	SQUARE_BLOCK				1
40	SM6041202TP	SCREW M4X0.7 L=12				2
41	40141725	THREAD_TAKE_UP_COMP				1
42	40141726	THREAD_TAKE_UP_ASM_C		*		1
43	22918304	SCREW		*		1
44	40142880	NEEDLE_BAR_CRANK_ROD_ASM.		*		1
45	40141727	THREAD_TAKE_UP_ASM_B		*		1
46	40141730	NEEDLE_BAR_CRANK		*		1
47	40142878	TAKE_UP_CRANK_ASM.		*		1

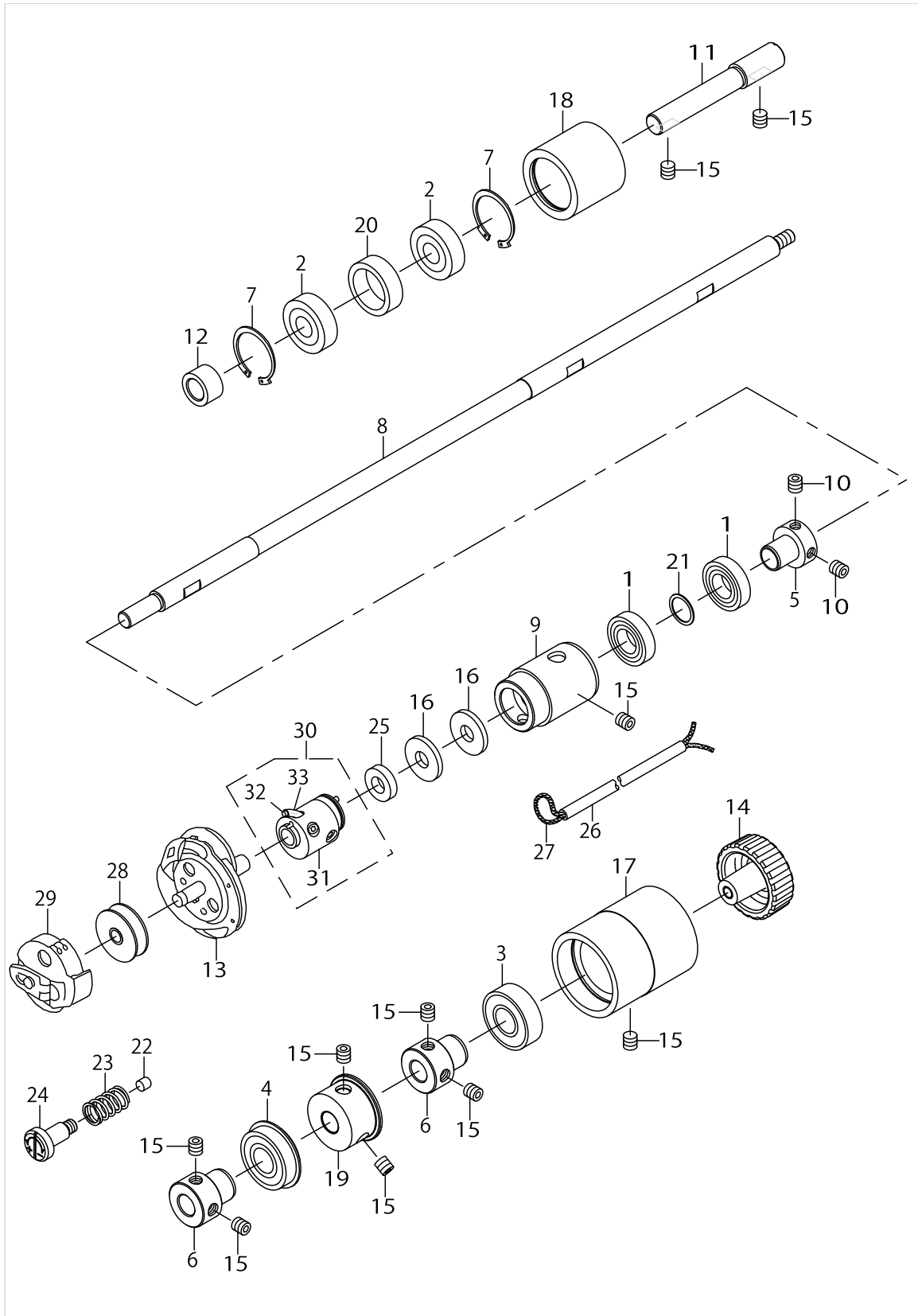
MAIN SHAFT COMPONENTS



MAIN SHAFT COMPONENTS

No.	Parts No.	Parts name	Remarks	Level	Cons	Qty
48	SM80608A2TP	SCREW M6 L=8				2

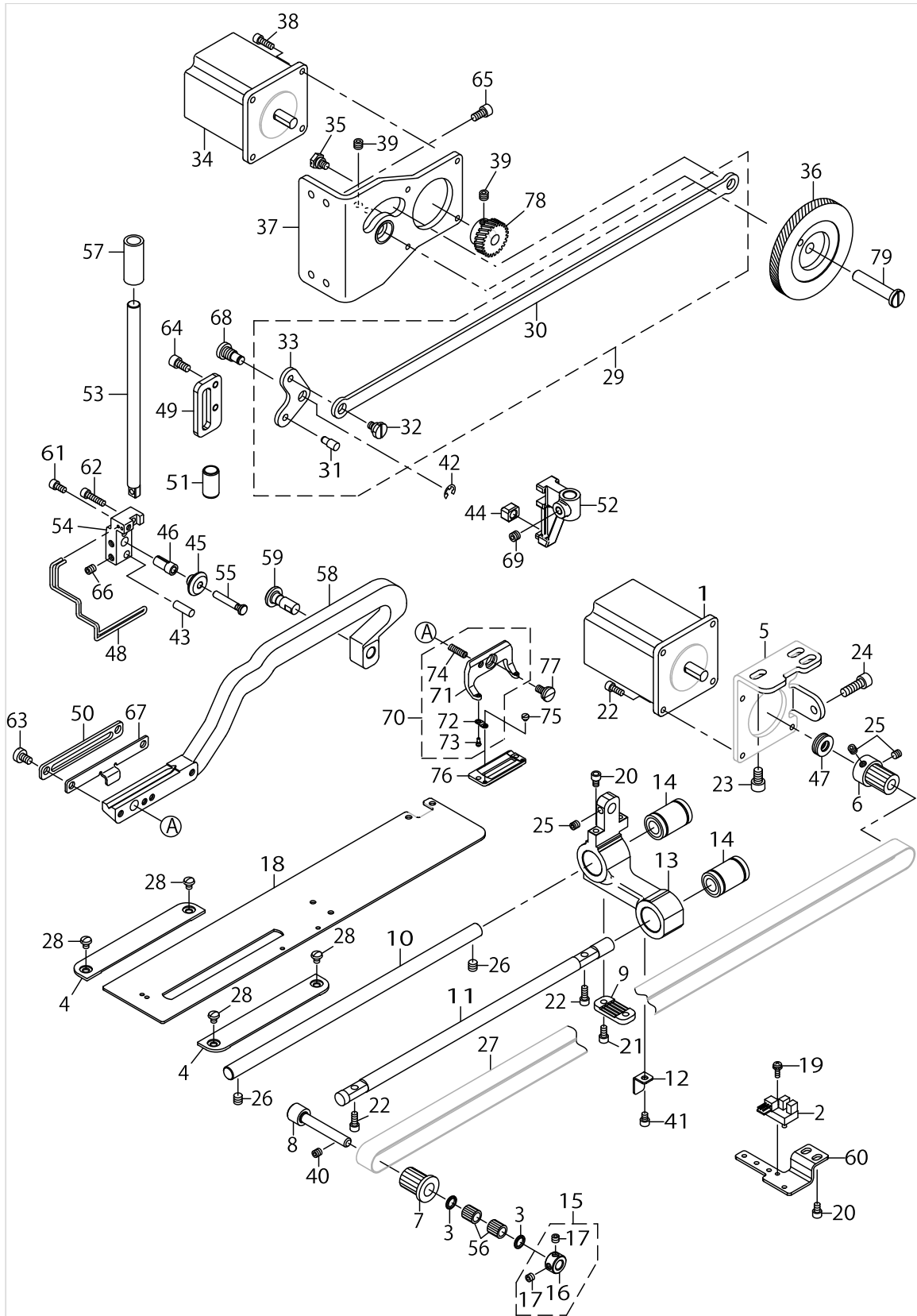
HOOK DRIVING SHAFT COMPONENTS



HOOK DRIVING SHAFT COMPONENTS

No.	Parts No.	Parts name	Remarks	Level	Cons	Qty
1	SB112001600	BEARING				2
2	SB110000600	BALL BEARING				2
3	SB115000200	BEARING				1
4	SB115001500	BEARING				1
5	40004188	BEARING_SUPPORT				1
6	23536204	BUSH				2
7	RC2791218KP	RETAINING RING				2
8	40004186	HOOK_DRIVING_SHAFT				1
9	40004187	HOOK_DRIVING_SHAFT_METAL				1
10	SM8050502TP	SCREW M5 L=5				2
11	13710306	INTERMEDIATE SPROCKET SHAFT				1
12	13710504	INTERMEDIATE SPROCKET WASHER				1
13	13729066	HOOK COMPL.			☆	1
14	40141739	LOWER_SHAFT_KNOB_B				1
15	SM80606A2TP	SCREW M6 L=6				10
16	40011355	OIL_FILTER				2
17	14504401	BEARING SUPPORT				1
18	40004180	SPROCKET_B				1
19	40141740	SPROCKET_C				1
20	13710405	INTERMEDIATE SPROCKET RING				1
21	40006317	WASHER				1
22	40142753	ADJUSTING_PIN_B				1
23	40142754	ADJUSTING_SPRING_B				1
24	40142752	ADJUSTING_SCREW_B				1
25	40006320	FELT				1
26	23630007	TUBE				1
27	CQ202000000	OIL WICK				1
28	B1811771000	BOBBIN			☆	1
29	13729769	BOBBIN CASE ASM.			☆	1
30	13729652	HOOK SLEEVE CONNEC.				1
31	13729603	HOOK SLEEVE		*		1
32	CQ252000000	OIL WICK		*		0.04
33	HX002550000	TUBE		*		0.017

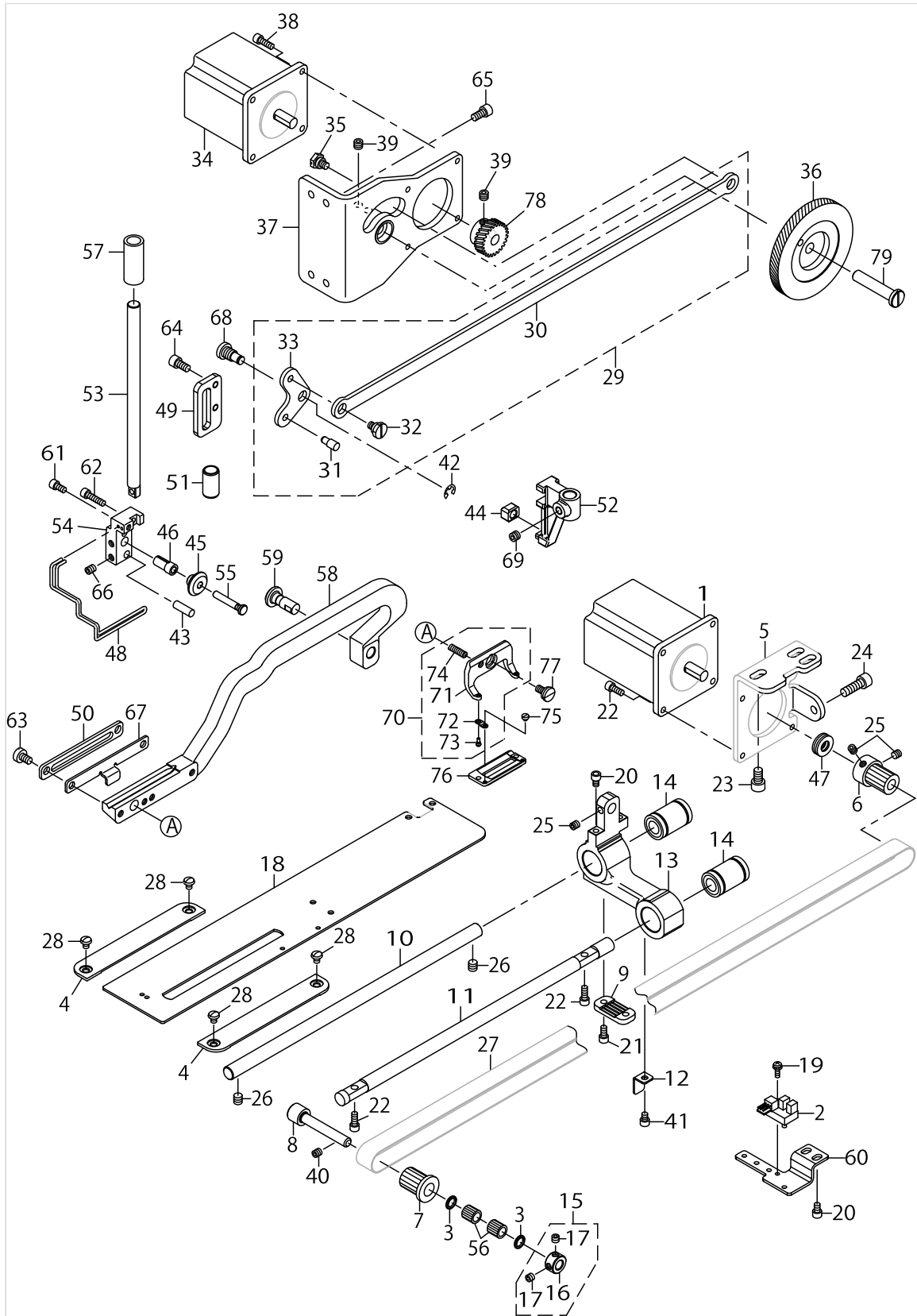
PRESSER & FEED COMPONENTS



PRESSER & FEED COMPONENTS

No.	Parts No.	Parts name	Remarks	Level	Cons	Qty
1	40139181	FEED MOTOR ASSY				1
2	HD00057000A	PHOTO SENSOR				1
3	22891204	BEARING SUPPORT				2
4	40075297	THROAT_PLATE_BASE_COVER				2
5	40004194	MOTOR_BRACKET				1
6	40108754	PULLEY_B				1
7	40004197	PULLEY_C				1
8	40004198	SUPPORT_SHAFT				1
9	40004200	TIMING_BELT HOLDER				1
10	40004201	FEED_SHAFT				1
11	40022121	FEED_GUIDE_SHAFT				1
12	40141744	SENSOR_SLIT_PLATE				1
13	40141741	FEED_BASE				1
14	SB710000600	BEARING				2
15	40010434	THRUST_COLLAR_ASM.				1
16	40010435	THRUST_COLLAR		*		1
17	SM8050412TP	SCREW M5 L=4		*		2
18	40004205	WORK_CLAMP_CARRIER				1
19	SL4031091SC	SCREW M3 L=10				1
20	SM6040602TP	SCREW M4 L=6				4
21	SM6040802TP	SCREW M4X0.7 L=8				2
22	SM6041002TP	SCREW M4 L=10				6
23	SM6061002TP	SCREW M6 L=10				3
24	SM6061802TP	SCREW M6 L=18				1
25	SM8050502TP	SCREW M5 L=5				3
26	SM80606A2TP	SCREW M6 L=6				2
27	40141742	TIMING_BELT				1
28	SM5040550TP	SCREW M4 L=5				4
29	40142161	LIFTING_LINK_ASSY				1
30	40141788	LINK_ROD_S		*		1
31	40141801	LIFTING_LINK_PIN		*		1
32	SD0800326TP	SHOULDER SCREW		*		1
33	40142755	LIFTING_LINK		*		1
34	40139182	CLAMP MOTOR ASSY				1
35	SD0800326TP	SHOULDER SCREW				1
36	40004289	PBL GEAR L				1
37	40004267	ASSY_PBL_MOTOR_BASE				1
38	SM6041202TP	SCREW M4X0.7 L=12				4
39	SM8060552TP	SCREW M6 L=5				5
40	SM8050502TP	SCREW M5 L=5				1
41	SM6040502TP	SCREW M4X0.7 L=5				1
42	RE0500000K0	E-RING				1
43	13127402	PIN (SHORT) C				1
44	40141757	SQUARE_BLOCK				1
45	40141755	SLIDE_ROLLER				1
46	40141754	COLLAR				1
47	SB408000100	BEARING				1

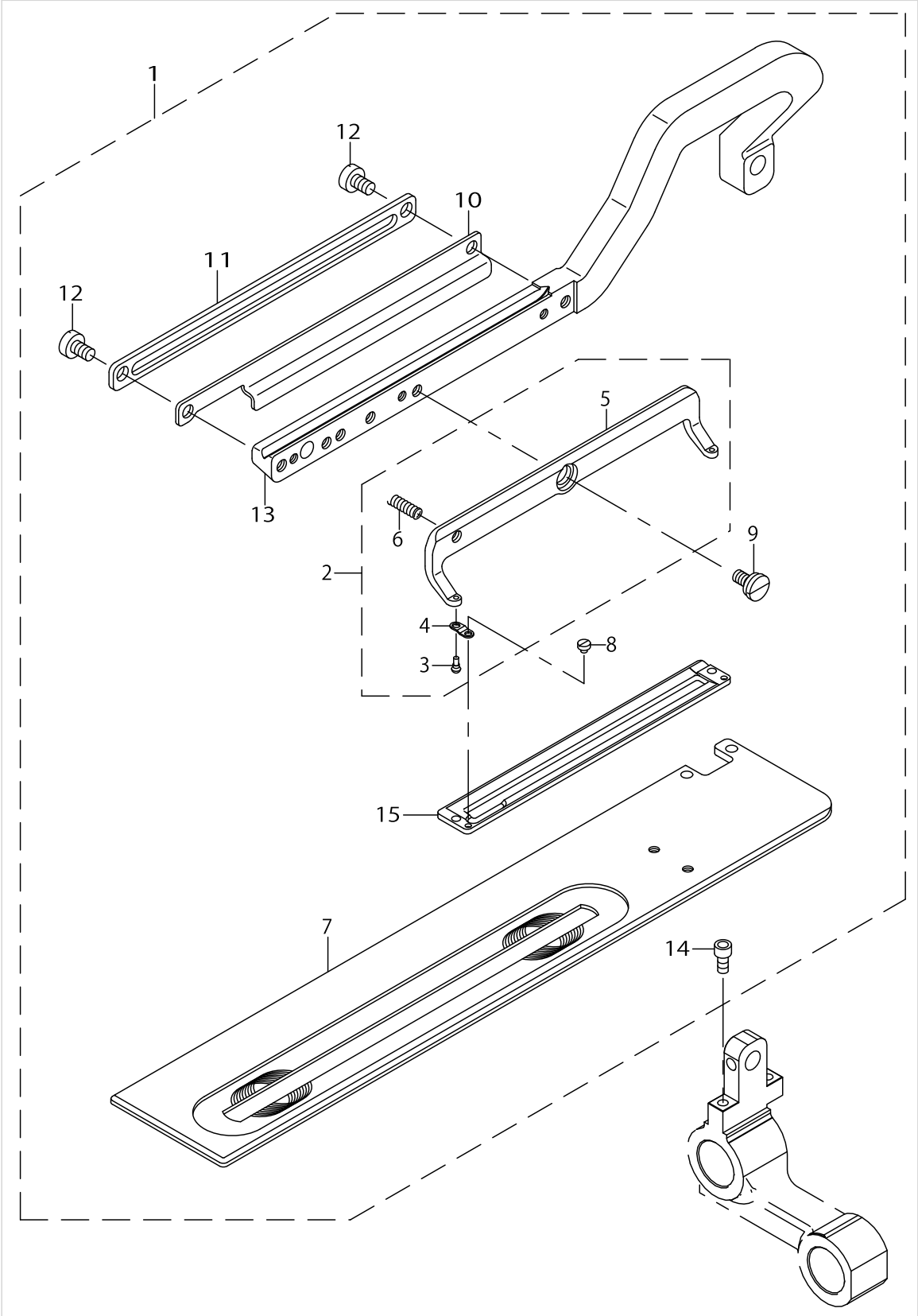
PRESSER & FEED COMPONENTS



PRESSER & FEED COMPONENTS

No.	Parts No.	Parts name	Remarks	Level	Cons	Qty
48	40004285	PBL_FINGER_GUARD			☆	1
49	40141794	PBL_GUIDE				1
50	40004280	PBL_LIFTING_PLATE				1
51	40004279	PBL_METAL				1
52	40141747	POSITION_BRACKET				1
53	40141745	PRESSER_BAR				1
54	40141753	PBL_ROLLER_BASE				1
55	40141756	PBL_ROLLER_SHAFT				1
56	SB307000200	BEARING				2
57	40141746	METAL_U				1
58	40004287	PBL_WORK_CLAMP_ARM				1
59	40004288	PBL_WORK_CLAMP_ARM_SHAFT				1
60	40141743	SENSOR_PLATE				1
61	SM6040802TP	SCREW M4X0.7 L=8				1
62	SM6041602TP	SCREW M4X0.7 L=16				1
63	SM6050800SP	SCREW M5 L=8				2
64	SM6051002TP	SCREW M5X0.8 L=10				4
65	SM6051002TP	SCREW M5X0.8 L=10				4
66	SM8050602TP	SCREW M5 L=6				2
67	40020310	UTT_CLOSE_CAM_B				1
68	40141748	LIFTING_LINK_SHAFT				1
69	SM8060612TP	SCREW M6 L=6				1
70	D1511771KA0A	WORK_CLAMP_CHECK HOLDER ASM.				1
71	B1511771000B	PRESSER FOOT		*		1
72	B1509761000	WORK_CLAMP_CHECK SPRING		*		2
73	B151077100B	WORKCLAMPCHECKSPRINGSETPIN(B)		*		2
74	B1512761000	WORK_CLAMP_CHECK HOLDER SPRING		*		1
75	SS6060210SP	SCREW 3/32-56 L=1.9				2
76	B1552781000A	PRESSER			☆	1
77	SD0790203SP	HINGE SCREW D=7.94 H=2				1
78	40004291	PBL_GEAR S				1
79	40004275	PBL_GEAR_SHAFT				1

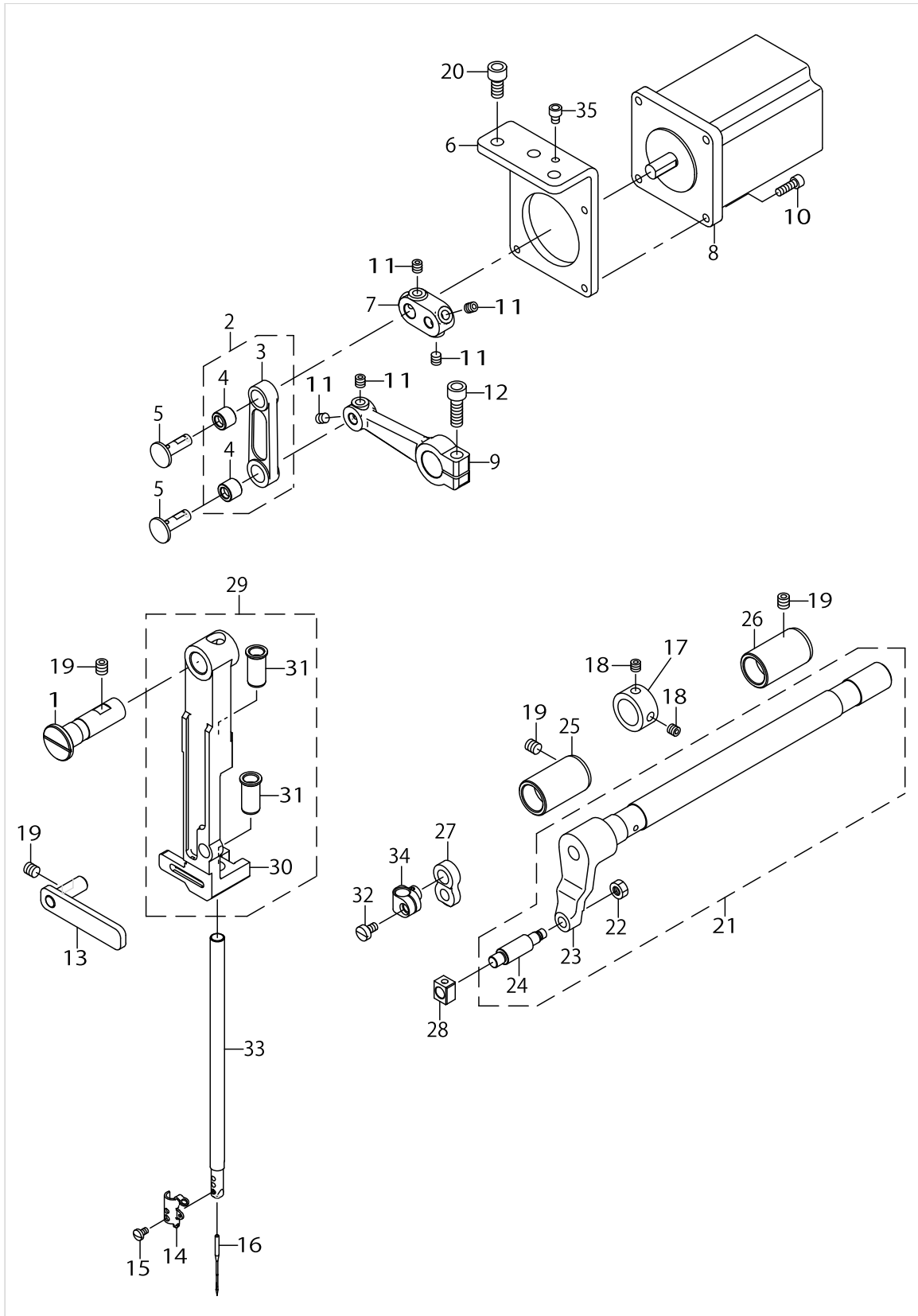
PRESSER & FEED COMPONENTS (FOR LBH-1795AS)



PRESSER & FEED COMPONENTS (FOR LBH-1795AS)

No.	Parts No.	Parts name	Remarks	Level	Cons	Qty
1	40067165	LIFTING PLATE PARTS 120MM				1
2	40008646	ASSY_WORK_CLAMP_CHECK HOLDER_120		*		1
3	B151077100B	WORKCLAMPCHECKSPRINGSETPIN(B)		*		2
4	B1509761000	WORK_CLAMP_CHECK_SPRING		*		2
5	40008647	WORK_CLAMP_CHECK HOLDER_120		*		1
6	40008638	WORK_CLAMP_CHECK HOLDER_SPRING B		*		1
7	40006339	WORK_CLAMP_CARRIER_120		*		1
8	SS6060210SP	SCREW 3/32-56 L=1.9		*		6
9	SD0790203SP	HINGE SCREW D=7.94 H=2		*		3
10	40028682	UTT_CLOSE_CAM_120B		*		1
11	40112711	LIFTING_PLATE_120		*		1
12	SM6050800SP	SCREW M5 L=8		*		2
13	40006335	WORK_CLAMP_ARM_120		*		1
14	SM6040802TP	SCREW M4X0.7 L=8		*		2
15	40008658	WORK_CLAMP_120		*	☆	1

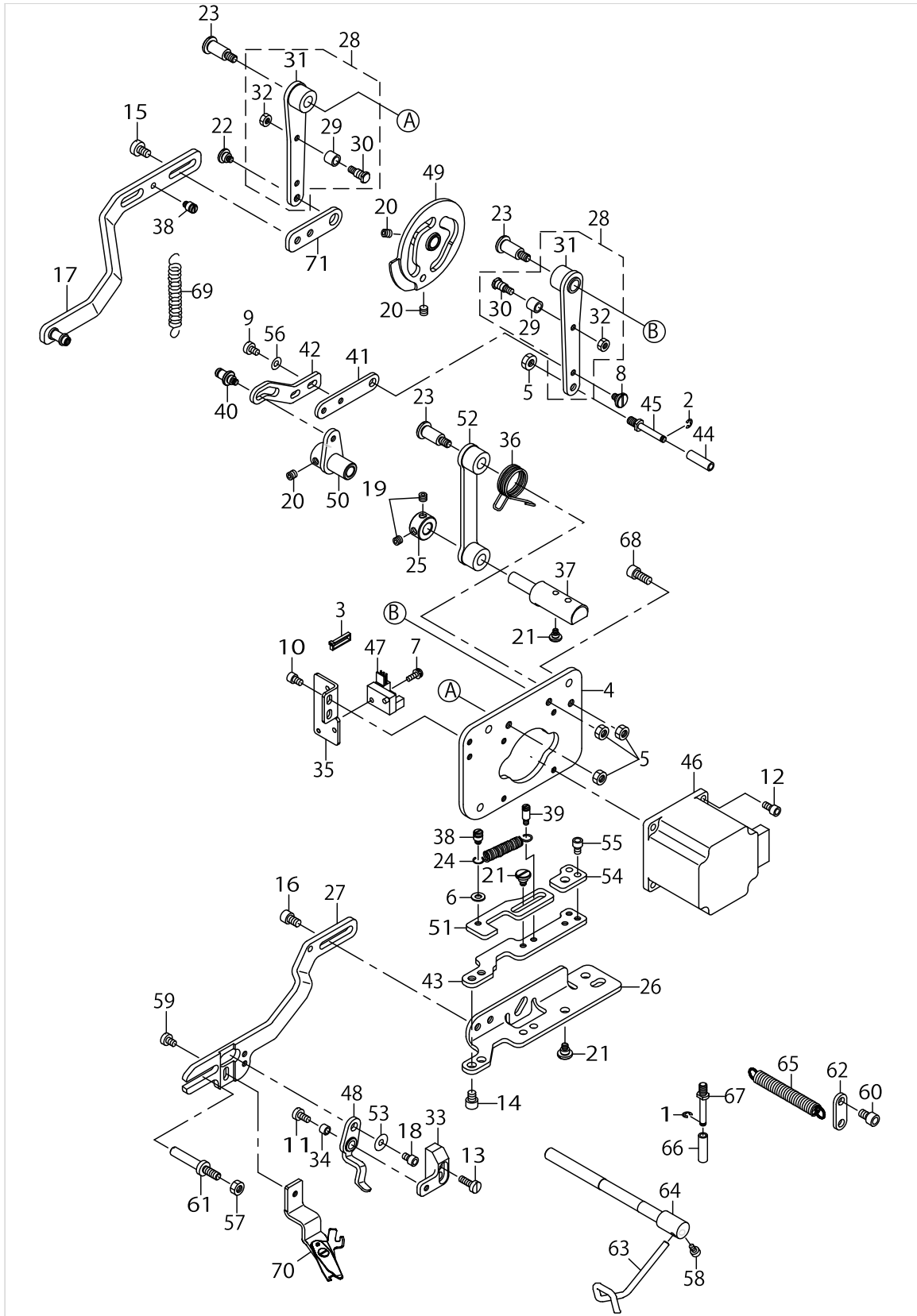
NEEDLE BAR ROCKING COMPONENTS



NEEDLE BAR ROCKING COMPONENTS

No.	Parts No.	Parts name	Remarks	Level	Cons	Qty
1	40088990	SUPPORT_SHAFT				1
2	40004378	ZIGZAG ROD ASM.				1
3	40004379	ZIGZAG ROD		*		1
4	23530405	SHAFT HOLDER LINK BUSH		*		2
5	40008671	P=JUNCTION SHAFT SELECTIVE PARTS	SELECTIVE PARTS			2
6	40141758	ZIGZAG_DRIVE_UNIT_BASE				1
7	40141759	MOTOR_LEVER				1
8	40139180	NEEDLE SWING MOTOR ASSY				1
9	40141760	ZIGZAG_LEVER_REAR				1
10	SM6041202TP	SCREW M4X0.7 L=12				4
11	SM8050502TP	SCREW M5 L=5				6
12	SM6061802TP	SCREW M6 L=18				1
13	40004218	FRAME SUPPORT PLATE ASM.				1
14	13706403	NEEDLE BAR THREAD GUIDE			☆	1
15	SM7030550TP	SCREW M3 L=4.5			☆	1
16	MDP5J0B1100	NEEDLE DPX5 #11J			☆	1
17	CS1501181TP	THRUST COLLAR D=15 W=11				1
18	SM8050502TP	SCREW M5 L=5				2
19	SM80606A2TP	SCREW M6 L=6				4
20	SM6061202TP	SCREW M6 L=12				3
21	40004224	ZIGZAG LEVER SHAFT ASM.				1
22	NM6050001SP	NUT M5		*		1
23	40004373	ZIGZAG LEVER SHAFT		*		1
24	40004374	ZIGZAG_STUD		*		1
25	40004216	BUSHING				1
26	40004217	BUSHING REAR				1
27	40004209	NEEDLE_BAR_ROD				1
28	B1414232000	SQUARE BLOCK				1
29	40004222	NEEDLE_BAR_FRAME_ASSY				1
30	40004212	NEEDLE_BAR_FRAME		*		1
31	40004213	NEEDLE BAR METAL		*		2
32	SM6040750TP	SCREW M4 L=7				1
33	40004215	NEEDLE BAR				1
34	40004214	NEEDLE_BAR_CONNECTION				1
35	SM6040502TP	SCREW M4X0.7 L=5				1

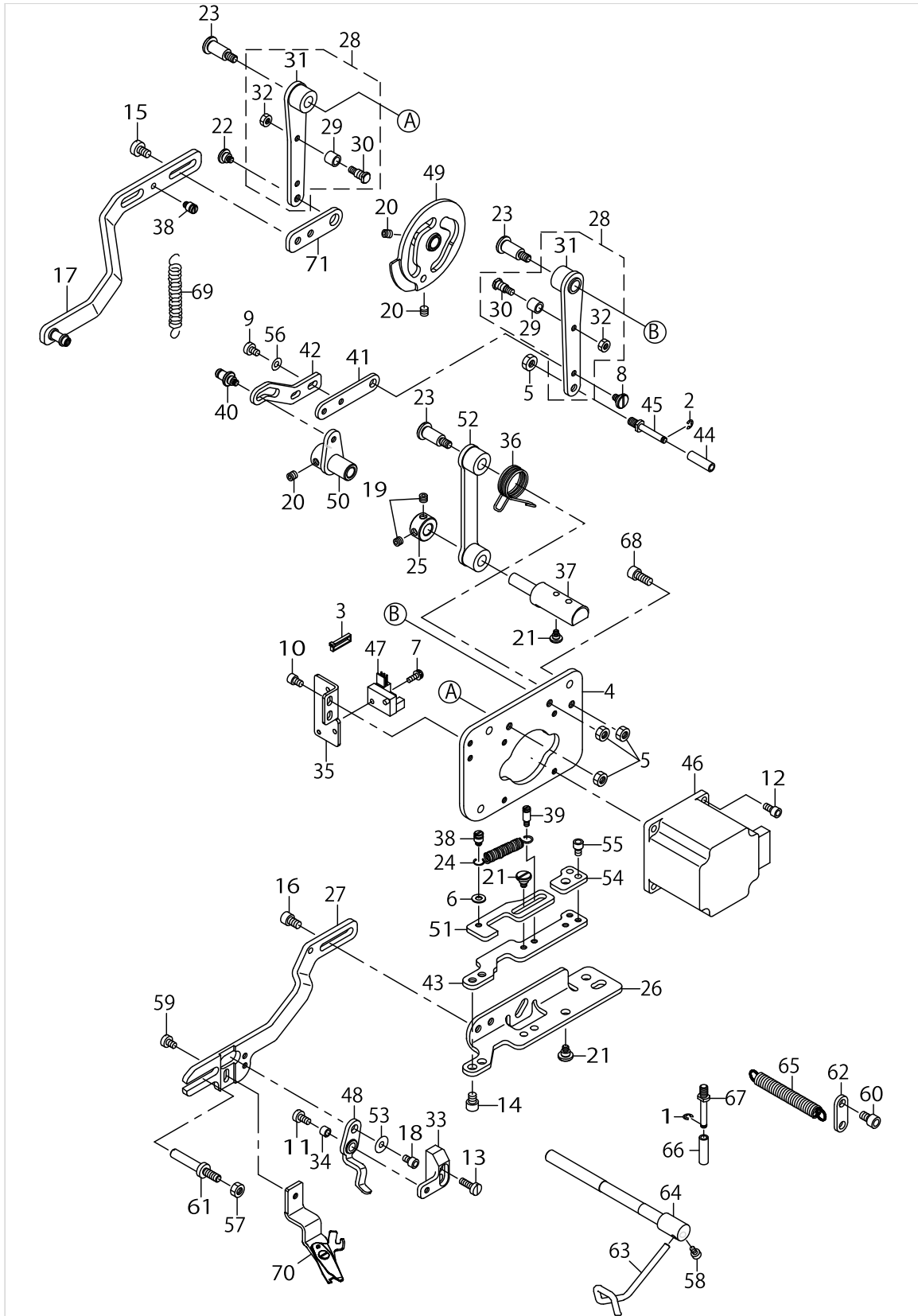
NEEDLE THREAD TRIMMER COMPONENTS



NEEDLE THREAD TRIMMER COMPONENTS

No.	Parts No.	Parts name	Remarks	Level	Cons	Qty
1	RE030000K0	E-RING 3				1
2	RE030000K0	E-RING 3				1
3	EA9500B0100	CABLE BAND				1
4	40004293	UTT BASE PLATE				1
5	NM6050001SP	NUT M5				4
6	WP0430801SC	WASHER 4.3X9X0.8				1
7	SL4031091SC	SCREW M3 L=10				1
8	SD0600266TP	SHOULDER SCREW D=6 H=2.6				1
9	SM6040600SP	SCREW M4 L=6				2
10	SM6040602TP	SCREW M4 L=6				2
11	SM6040860TP	SCREW M4 L=8				1
12	SM6040802TP	SCREW M4X0.7 L=8				4
13	SM6041200SP	SCREW M4 L=12				2
14	SM6050652TP	HEXAGON SOCKET HEAD SCREW M5X6				2
15	SM6050800SP	SCREW M5 L=8				2
16	SM6050802TP	SCREW M5X0.8 L=8				2
17	40004400	ASSY UTT RELEASE ARM B				1
18	SM6040602TP	SCREW M4 L=6				1
19	SM8050412TP	SCREW M5 L=4				2
20	SM8050502TP	SCREW M5 L=5				4
21	SD0600326TP	SHOULDER SCREW D=6 H=3.2				4
22	SD0800406TP	SHOULDER SCREW D=8 H=4				1
23	SD0801506TP	SHOULDER SCREW D=8 H=15				3
24	11272507	SPRING				1
25	CS0800881TP	THRUST COLLAR				1
26	40004235	UTT ARM A				1
27	40004238	UTT_ARM_B				1
28	40101641	ASSY_UTT_CAM_ARM				2
29	40004254	UTT CAM ROLLER		*		1
30	40101638	UTT_CAM_ROLLER_SHAFT		*		1
31	40101642	UTT_CAM_ARM		*		1
32	NM6040000SN	NUT M4		*		1
33	40004264	UTT RELEASE LEVER BASE				1
34	40004265	UTT RELEASE LEVER SHAFT				1
35	40141774	SENSOR_PLATE_UTT				1
36	40004296	UTT_SUPPORT_ARM_SPRING				1
37	40004234	UTT SUPPORT SHAFT				1
38	40004248	UTT SUSPENSION SCREW 4				2
39	40004252	UTT SUSPENSION SCREW 9				1
40	40004247	UTT SUSPENSION SHOULDER SCREW				1
41	40004244	UTT THREAD PULLING LINK A				1
42	40004245	UTT THREAD PULLING LINK B				1
43	40004236	UTT X-CAM				1
44	40004297	UTT Y-DRIVE ROLLER				1
45	40004298	UTT Y-DRIVE SHAFT				1
46	40140040	UTT TRIM MOTOR ASSY				1
47	HD00057000A	PHOTO SENSOR				1

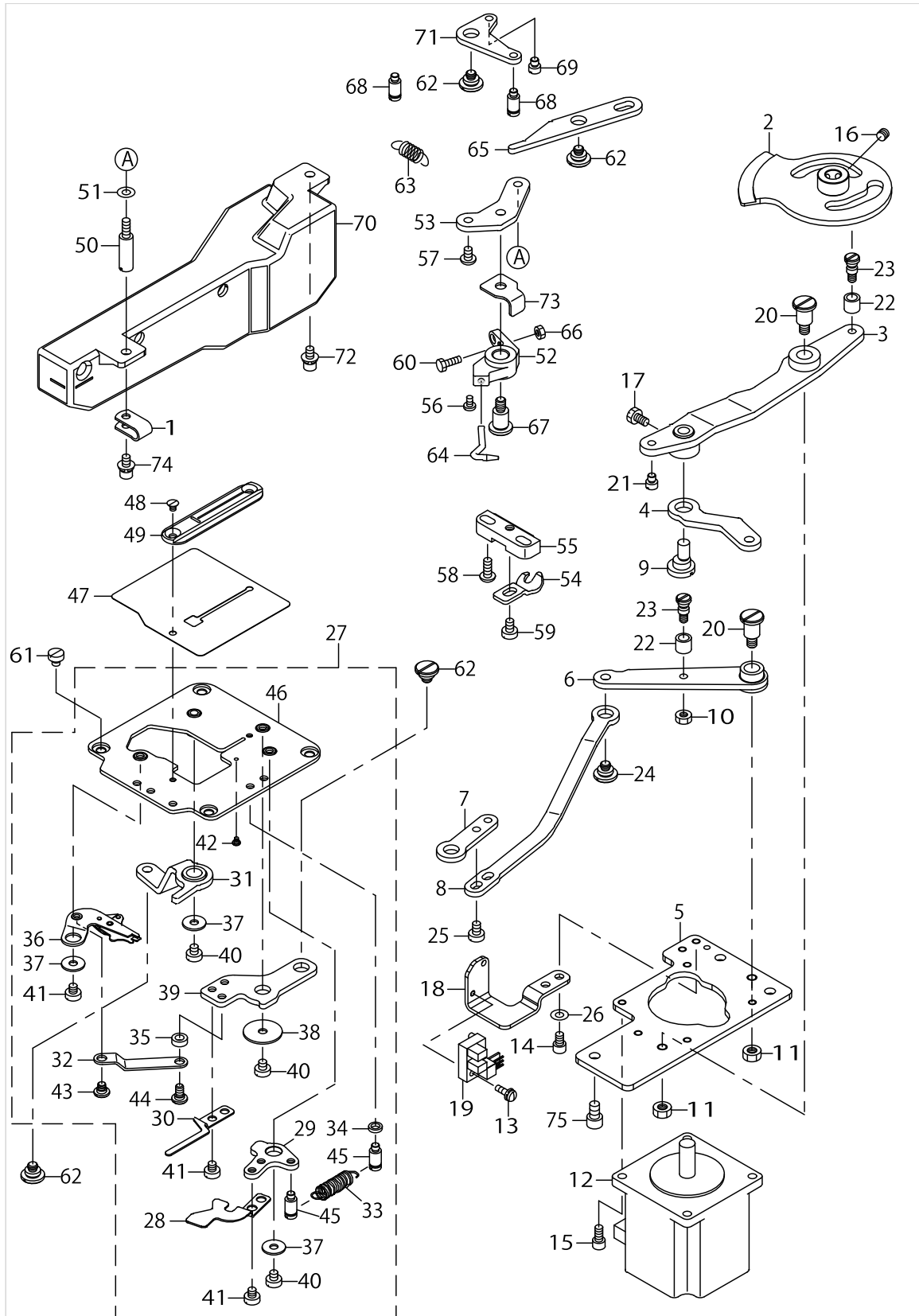
NEEDLE THREAD TRIMMER COMPONENTS



NEEDLE THREAD TRIMMER COMPONENTS

No.	Parts No.	Parts name	Remarks	Level	Cons	Qty
48	40028634	ASSY_UTT_RELEASE_LEVER_B				1
49	40142166	ASSY_UTT_DRIVE_CAM				1
50	40004240	ASSY_UTT_THREAD_PULLING_ARM				1
51	40015702	UTT_RATCH_PLATE_B				1
52	40004232	ASSY_UTT_SUPPORT_ARM				1
53	WP0431005SP	PLAIN WASHER 4.3X12X1				1
54	40015674	UTT_RATCH_STOPPER				1
55	SM6040602TP	SCREW M4 L=6				2
56	WP0550800SP	WASHER 5.5X10X0.8				2
57	NM6050001SP	NUT M5				1
58	SM6040602TP	SCREW M4 L=6				1
59	SM6040600SP	SCREW M4 L=6				1
60	SM6050802TP	SCREW M5X0.8 L=8				1
61	40028636	UTT_GUIDE_SHAFT_B				1
62	40004249	UTT_SUSPENSION_PLATE				1
63	40004243	UTT_THREAD_PULLING_LEVER				1
64	40004246	UTT_THREAD_PULLING_SHAFT				1
65	40004250	UTT_TRIMMER_CLOSE_SPRING				1
66	40004297	UTT_Y-DRIVE_ROLLER				1
67	40004298	UTT_Y-DRIVE_SHAFT				1
68	SM6051202TP	SCREW M5X0.8 L=12				3
69	MAZ16013000	BUTTON_SUPPORT_LEVER_SPRING				1
70	40004255	ASSY_UTT_TRIMMER			☆	1
71	40004294	UTT_RELEASE_ARM_A				1

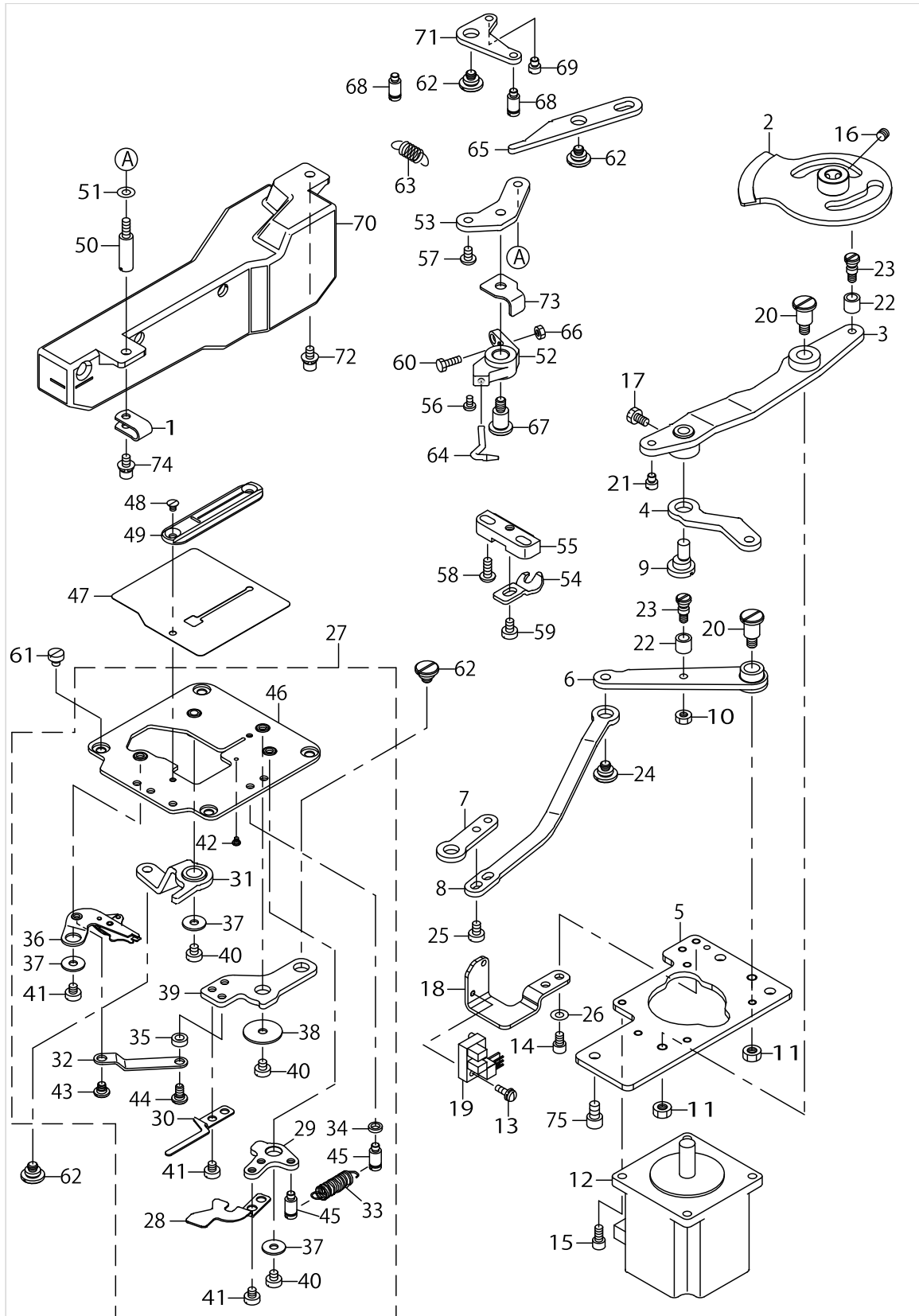
BOBBIN THREAD TRIMMER COMPONENTS



BOBBIN THREAD TRIMMER COMPONENTS

No.	Parts No.	Parts name	Remarks	Level	Cons	Qty
1	HX00150000A	CABLE CLAMP				1
2	40142170	ASSY_BTT_DRIVE_CAM				1
3	40004336	ASSY_BTT_DRIVE_LEVER				1
4	40004329	BTT_DRIVE_LINK				1
5	40141778	BTT_DRIVE_UNIT_BASE				1
6	40101649	BTT_RELEASE_LEVER				1
7	40004343	BTT_RELEASE_LINK_F				1
8	40004344	BTT_RELEASE_LINK_R				1
9	13737408	LINK ROD				1
10	NM6040001SD	NUT M4				1
11	NM6050001SP	NUT M5				2
12	40140041	DT TRIM MOTOR ASSY				1
13	SL4031091SC	SCREW M3 L=10				1
14	SM6040602TP	SCREW M4 L=6				2
15	SM6040802TP	SCREW M4X0.7 L=8				4
16	SM8050412TP	SCREW M5 L=4				2
17	SM9040700SP	HEXAGONAL BOLT				1
18	40141779	SENSOR_PLATE_BTT				1
19	HD00057000A	PHOTO SENSOR				1
20	SD0801006TP	SHOULDER SCREW D=8 H=10				2
21	40004299	STOPPER_PIN				1
22	40004254	UTT_CAM_ROLLER				2
23	40101638	UTT_CAM_ROLLER_SHAFT				2
24	SD0800296TP	SHOULDER SCREW D=8 H=2.9				1
25	SM6040600SP	SCREW M4 L=6				2
26	WP0430801SC	WASHER 4.3X9X0.8				2
27	40021998	THROAT_PLATE_BASE_UNIT				1
28	40022323	BT_CLAMP_B		*	☆	1
29	40004309	BT_CLAMP_LEVER		*		1
30	40022322	BT_PULLER_B		*	☆	1
31	40004321	ASSY_BT_RELEASE_ARM		*		1
32	40004308	BT_TRIMMER_LINK		*		1
33	40029613	CLAMP_SPRING		*		1
34	B1623180000	WASHER		*		1
35	B3013141H0A	WASHER		*		1
36	40004311	BT_TRIMMER		*	☆	1
37	WP0431005SP	PLAIN WASHER 4.3X12X1		*		3
38	WP0451016SP	WASHER 4.5X20X1		*		1
39	40004306	BTT_LEVER		*		1
40	SM6040450TP	SCREW M4 L=4		*		3
41	SM6040450TP	SCREW M4 L=4		*		5
42	SD0250101SP	HINGE SCREW		*		1
43	SD0500166TP	SHOULDER SCREW D=5 H=1.6		*		1
44	SD0500167TP	SHOULDER SCREW D=5 H=1.6		*		1
45	40004327	SUSPENSION_SCREW		*		2
46	40004301	ASSY_THROAT_PLATE_BASE		*		1
47	40004324	OIL_SHIELD				1

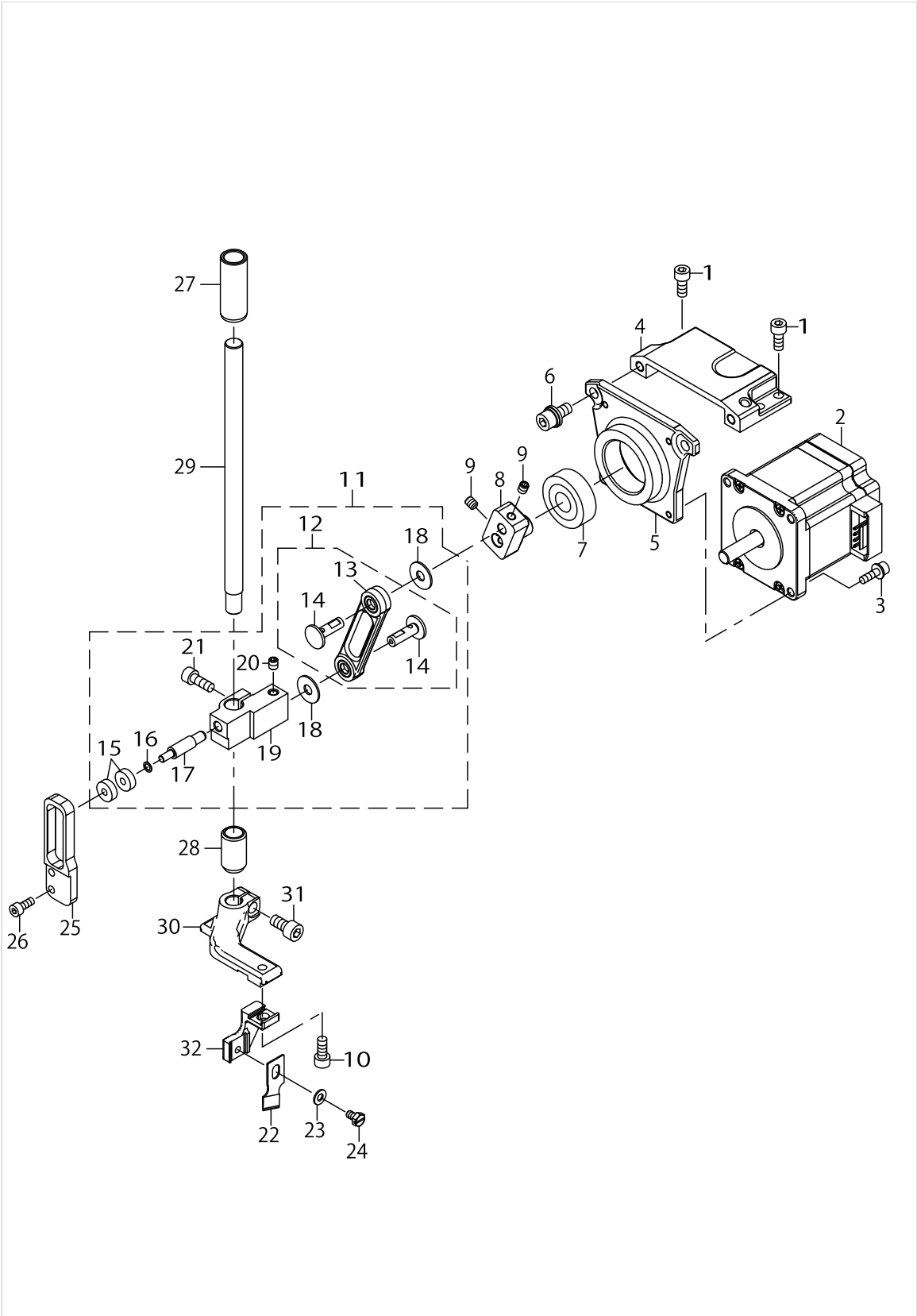
BOBBIN THREAD TRIMMER COMPONENTS



BOBBIN THREAD TRIMMER COMPONENTS

No.	Parts No.	Parts name	Remarks	Level	Cons	Qty
48	SM1030400SP	SCREW M3 L=4				2
49	40027553	THROAT_PLATE(1790S5)			☆	1
50	40011205	STUD				1
51	WP0430800SC	WASHER M4				1
52	40004345	PICKER_BASE				1
53	40004347	PICKER_BASE_FITTING_PLATE				1
54	13727102	STOPPER A			☆	1
55	13729306	BOBBIN CASE POSITIONING PLATE				1
56	SM7030550TP	SCREW M3 L=4.5				1
57	SM6040602TP	SCREW M4 L=6				1
58	SM4041050TP	SCREW M4 L=10				2
59	SM6040600SP	SCREW M4 L=6				1
60	SM6041200SP	SCREW M4 L=12				1
61	SM6040450TP	SCREW M4 L=4				4
62	SD0800296TP	SHOULDER SCREW D=8 H=2.9				4
63	40011327	PICKER_SPRING				1
64	40004346	PICKER			☆	1
65	40004348	PICKER_ACTUATING_LEVER				1
66	NM6040001SD	NUT M4				1
67	SD0801006TP	SHOULDER SCREW D=8 H=10				1
68	40004327	SUSPENSION_SCREW				2
69	40004299	STOPPER_PIN				1
70	40141802	OIL_TANK				1
71	40004349	PICKER_ACTUATING_L_LINK				1
72	SL6040892TN	SCREW				4
73	40004328	PICKER_BASE_STOPPER				1
74	SL6041292TN	SCREW				1
75	SM6050802TP	SCREW M5X0.8 L=8				3

CLOTH CUTTING KNIFE COMPONENTS



CLOTH CUTTING KNIFE COMPONENTS

No.	Parts No.	Parts name	Remarks	Level	Cons	Qty
1	SM6051202TP	SCREW M5X0.8 L=12				4
2	40139183	CLOTH CUT MOTOR ASSY				1
3	SL6041492TN	SCREW				4
4	40141781	MOTOR_BASE_A				1
5	40141780	MOTOR_BASE_B				1
6	SL6061492TN	BOLT				2
7	SB1120003C0	BEARING				1
8	40141782	KNIFE_DRIVING_BLOCK				1
9	SM8050612TP	SCREW M5X6				3
10	SM6051202TP	SCREW M5X0.8 L=12				1
11	40142163	KNIFE_DRIVING_ASSY				1
12	40142164	KNIFE_DRIVING_LINK_ASSY		*		1
13	40141783	KNIFE_DRIVING_LINK_COMBINATION		*		1
14	40008671	P=JUNCTION SHAFT SELECTIVE	SELECTIVE PARTS	*		2
15	SB1040008C0	BEARING		*		2
16	40010489	AT_PIVOT_SCREW_WASHER		*		1
17	40141786	SUPPORT_SHAFT		*		1
18	40042089	THRUST WASHER		*		2
19	40141785	KNIFE_BAR_BRACKET		*		1
20	SM8050612TP	SCREW M5X6		*		1
21	SM6051402TP	SCREW M5X0.8 L=14		*		1
22	B2702047L00A	KNIFE 1/2			☆	1
23	WP0430801SC	WASHER M4				1
24	SM9040700SP	HEXAGONAL BOLT			☆	1
25	40141787	SUPPORT_GUIDE				1
26	SM6041002TP	SCREW M4 L=10				2
27	40004398	KNIFE_BAR_BUSH				1
28	40040276	KNIFE_BAR_LOWER_BUSHING				1
29	40004394	KNIFE BAR				1
30	40004396	KNIFE BAR BASE				1
31	SM6061202TP	SCREW M6 L=12				1
32	40004393	KNIFE FITTING BASE				1

TABLE COMPONENTS

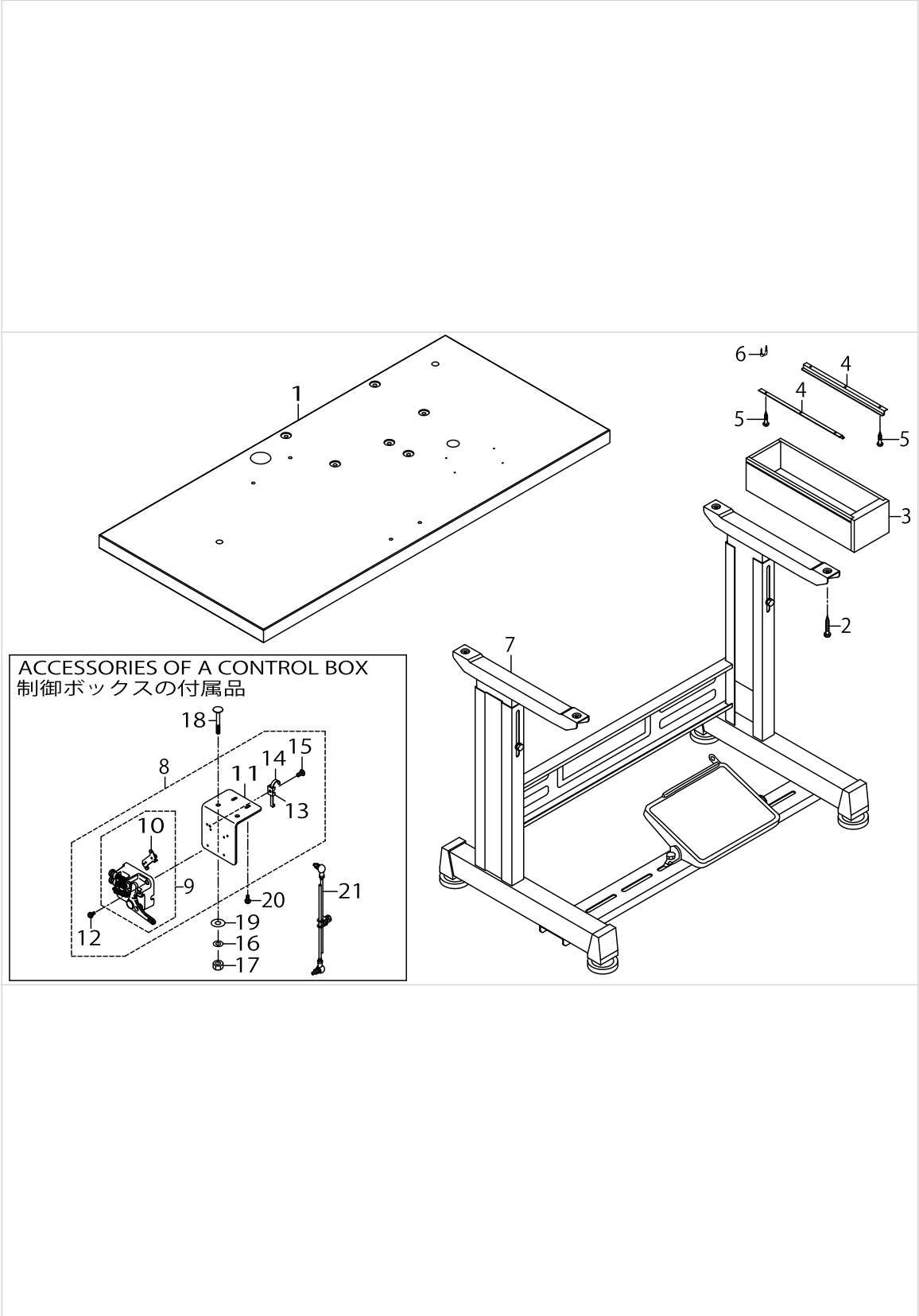
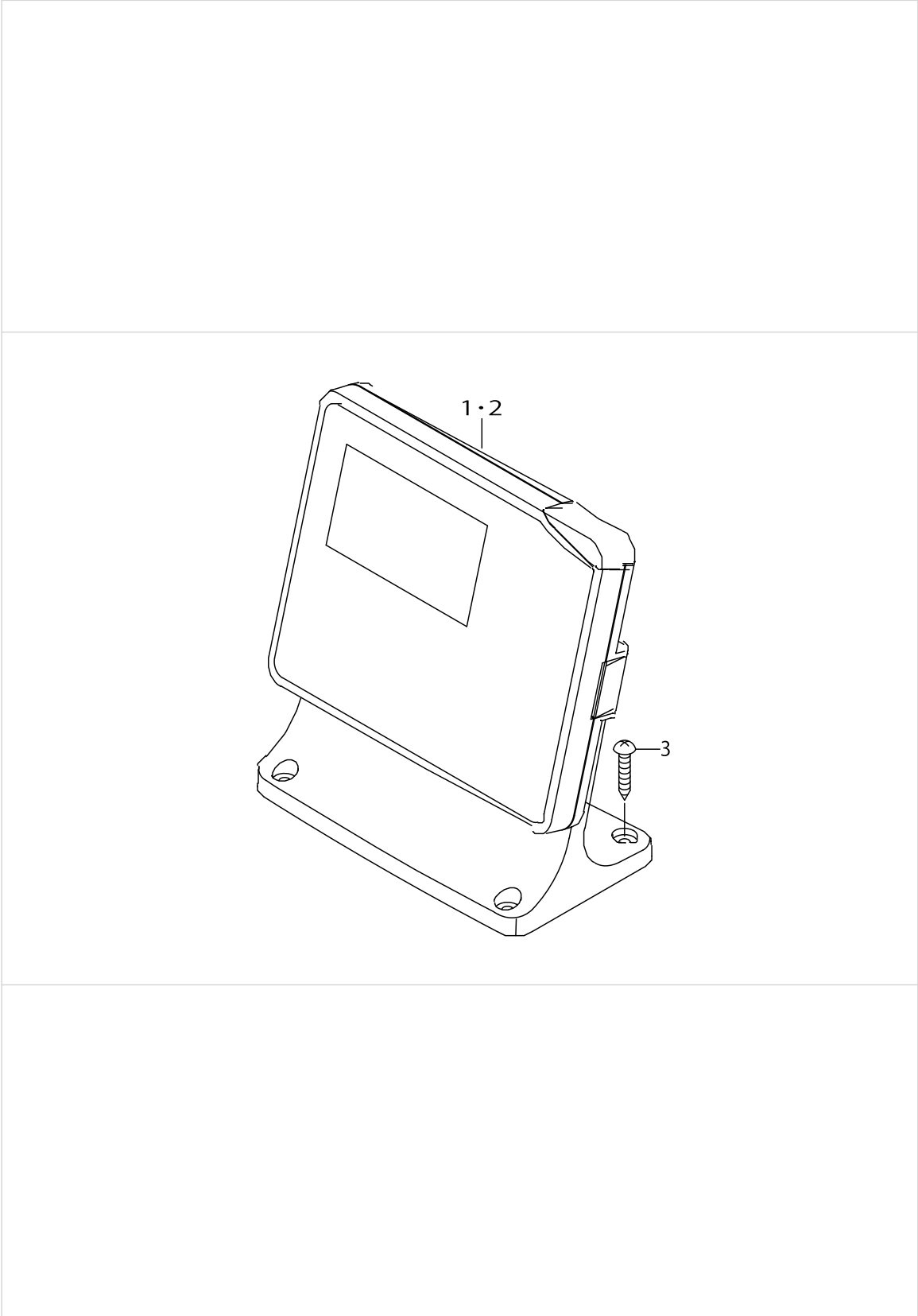


TABLE COMPONENTS

No.	Parts No.	Parts name	Remarks	Level	Cons	Qty
1	40142966	TABLE				1
2	ST9053511SR	TAPPING SCREW M5X35				4
3	11155108	DRAWER				1
4	11155207	DRAWER SUPPORT				2
5	SK3311600SC	WOOD SCREW D=3.1 L=16				6
6	D8204555D00	DRAWER STOPPER				1
7	11157567	T LEG JUNCTION				1
8	40094262	PEDAL SENSOR BASE ASSY				1
9	40094259	PEDAL SENSOR ASM.		*		1
10	40094260	SENSOR COIL HOLD ASSY		*		1
11	40093423	SENSOR_BRACKET		*		1
12	SL4041091SC	SCREW M4 L=10		*		3
13	KX000000210	SADDLE TYPE TIE MOUNT		*		1
14	KX000000230	RELEASIBLE CABLE TIE		*		1
15	SM4051001SC	SCREW M5 L=10		*		1
16	WS0820002KR	SPRING WASHER M8				2
17	NM6080002SC	NUT M8				2
18	MTSHJ100003	BOLT				2
19	WP0851846SC	WASHER 8.5X22.0X1.8				2
20	SL4051291SC	SCREW M5X0.8 L=12				2
21	40042134	CONNECING_ROD_ASSY				1

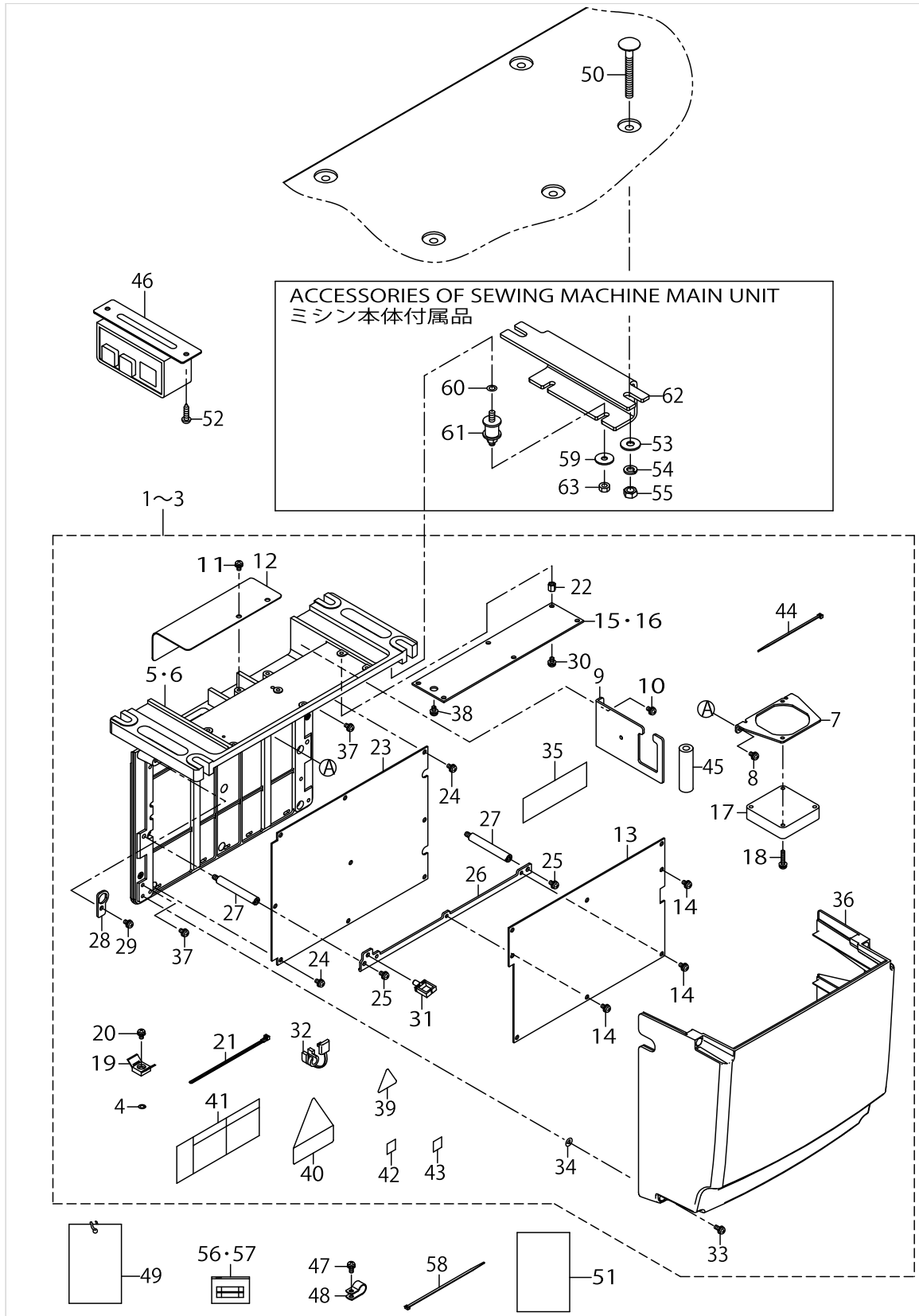
OPERATION BOX COMPONENTS (ACCESSORIES OF A CONTROL BOX)



OPERATION BOX COMPONENTS (ACCESSORIES OF A CONTROL BOX)

No.	Parts No.	Parts name	Remarks	Level	Cons	Qty
1	40141333	LBH OPERATION PANEL ASSY	FOR 1-PHASE 220~240V, 3-PHASE 200~240V, 1-PHASE 220~240V (FOR CHINA)			1
2	40141334	LBH OPERATION PANEL ASSY CE	FOR 1-PHASE CE 220~240V			1
3	SK3382001SE	SCREW D=3.8 L=20				4

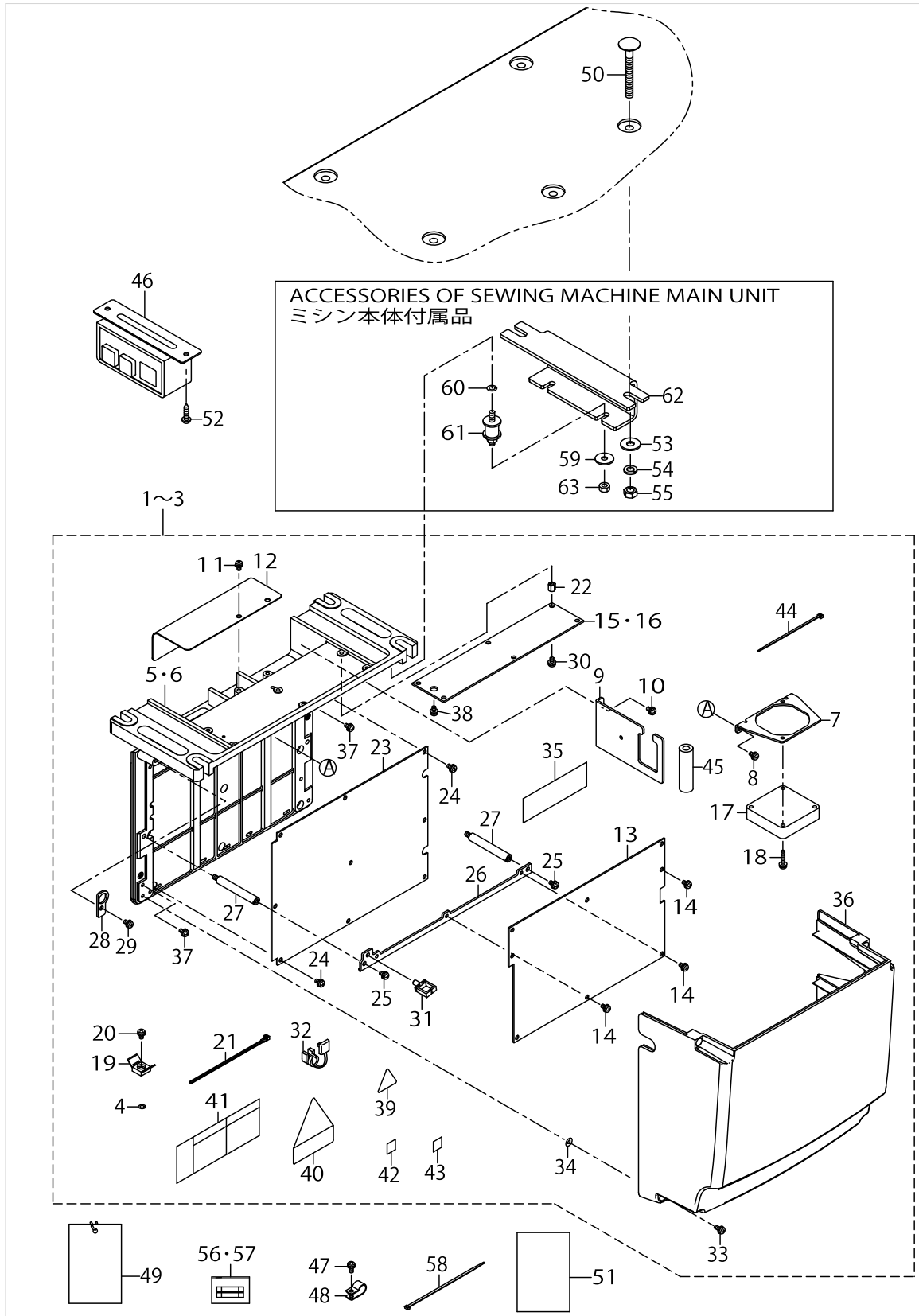
CONTROL BOX COMPONENTS



CONTROL BOX COMPONENTS

No.	Parts No.	Parts name	Remarks	Level	Cons	Qty
1	40141500	MC602 CTL BOX A ASM.	FOR 1-PHASE 220~240V			1
2	40141501	MC602 CTL BOX B ASM.	FOR 3-PHASE 200~240V			1
3	40141502	MC602 CTL BOX C ASM.	FOR 1-PHASE CE 220~240V			1
4	WP0430800SC	WASHER M4	FOR 3-PHASE 200~240V, 1-PHASE CE 220~240V	*		1
5	40143989	FRAME_B	FOR 3-PHASE 200~240V, 1-PHASE CE 220~240V	*		1
6	40143988	FRAME_A	FOR 1-PHASE 220~240V	*		1
7	40115874	FAN PLATE		*		1
8	SL4040881SC	SCREW M4 L=8		*		2
9	40115876	PLATE B		*		1
10	SL4040881SC	SCREW M4 L=8		*		2
11	SL4040881SC	SCREW M4 L=8		*		2
12	40115879	FAN COVER		*		1
13	40138920	MAIN PCB ASSY		*		1
14	SL4040881SC	SCREW M4 L=8		*		8
15	40105465	FLT-T PCB ASSY	FOR 3-PHASE 200~240V	*		1
16	40105475	FLT-CE PCB ASSY	FOR 1-PHASE CE 220~240V	*		1
17	40111214	FAN MOTOR ASSY		*		1
18	SL4042091SC	SCREW M4X0.7 L=20		*		2
19	KX000000260	SADDLE TYPE TIE MOUNT		*		1
20	SL4040881SC	SCREW M4 L=8		*		1
21	HX00292000A	CONNECTING PARTS		*		1
22	HX00339000M	SPACER	FOR 3-PHASE 200~240V, 1-PHASE CE 220~240V	*		6
23	40142267	SDC PCB ASSY		*		1
24	SL4041081SC	SCREW M4 L=10		*		4
25	SL4040881SC	SCREW M4 L=8		*		2
26	40115877	MAIN PLATE		*		1
27	40143990	STUD		*		2
28	40115878	PLATE C		*		1
29	SL4040881SC	SCREW M4 L=8		*		1
30	SL4040881SC	SCREW M4 L=8	FOR 3-PHASE 200~240V, 1-PHASE CE 220~240V	*		6
31	HX00222000D	WIRE SADDLE		*		1
32	KX000000320	BUSH		*		1
33	SL4041281SC	SCREW M4X0.7 L=12		*		4
34	M8002430000	STOPPER		*		4
35	40114398	MAIN COOL SHEET		*		2
36	40114136	COVER		*		1
37	SL4040881SC	SCREW M4 L=8		*		3
38	SL4030881SC	SCREW M3 L=8	FOR 3-PHASE 200~240V	*		1
39	CM300100001	LABEL	FOR 1-PHASE 220~240V, 1-PHASE CE 220~240V, 1-PHASE 220~240V (FOR CHINA)	*		1
40	CM300400602	VOLTAGE CAUTION LABEL L=25		*		1
41	CM300100402	VOLTAGE DANGER LABEL 3(SMALL)	FOR 3-PHASE 200~240V	*		1
42	CM600100101	WEEE MARK LABEL S	FOR 1-PHASE CE 220~240V	*		1
43	40116677	GOST SAFTY LABEL S	FOR 1-PHASE CE 220~240V	*		1
44	EA9500B0100	CABLE BAND		*		1

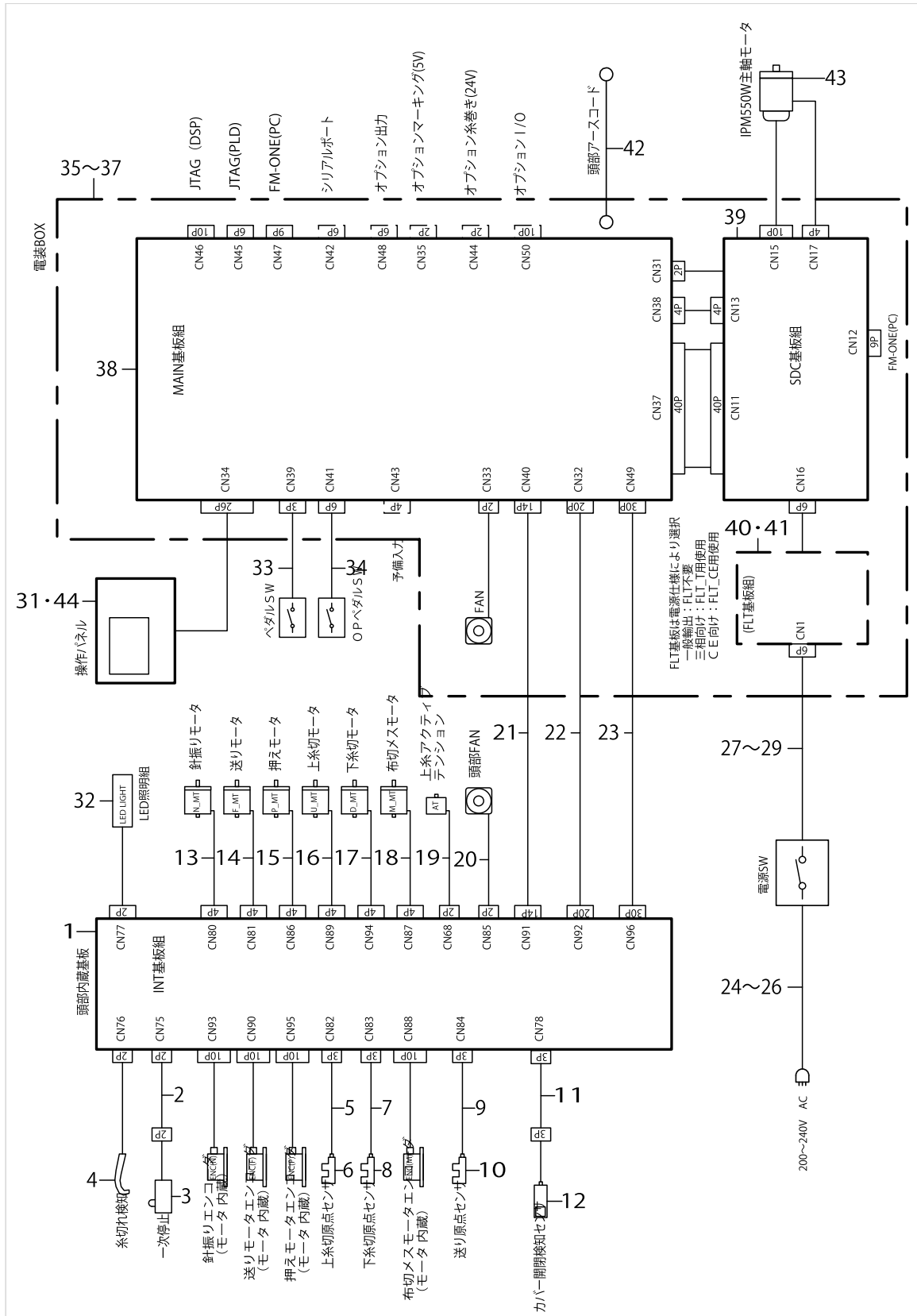
CONTROL BOX COMPONENTS



CONTROL BOX COMPONENTS

No.	Parts No.	Parts name	Remarks	Level	Cons	Qty
45	E8760452S00	TUBE	FOR 3-PHASE 200~240V, 1-PHASE GE 220~240V	*		0.055
46	40113427	POWER SWITCH				1
47	SL4041091SC	SCREW M4 L=10				2
48	HX00150000D	CABLE CLIP				2
49	M300451100A	VOLTAGE INDICATION CARD A				1
50	MTSHJ100003	BOLT				4
51	40126054	CORE SET UP MANUAL				1
52	SK3512001SE	WOOD SCREW D=5.1 L=20				2
53	WP0852086SC	WASHER M8				4
54	WS0820002KR	SPRING WASHER M8				4
55	NM6080002SC	NUT M8				4
56	HF0013050P0	FUSE 5A			☆	1
57	HF003000200	FUSE 2A (220/240V)			☆	1
58	EA9500B0200	CABLE BAND 150				2
59	WP0651646SC	WASHER				8
60	WT0640001KN	TOOTH WASHER				1
61	40165702	RUBBER_CUSHION				4
62	40142969	RUBBER CUSHION BRKT				2
63	NM6060001SC	NUT M6X1 TYPE1				4

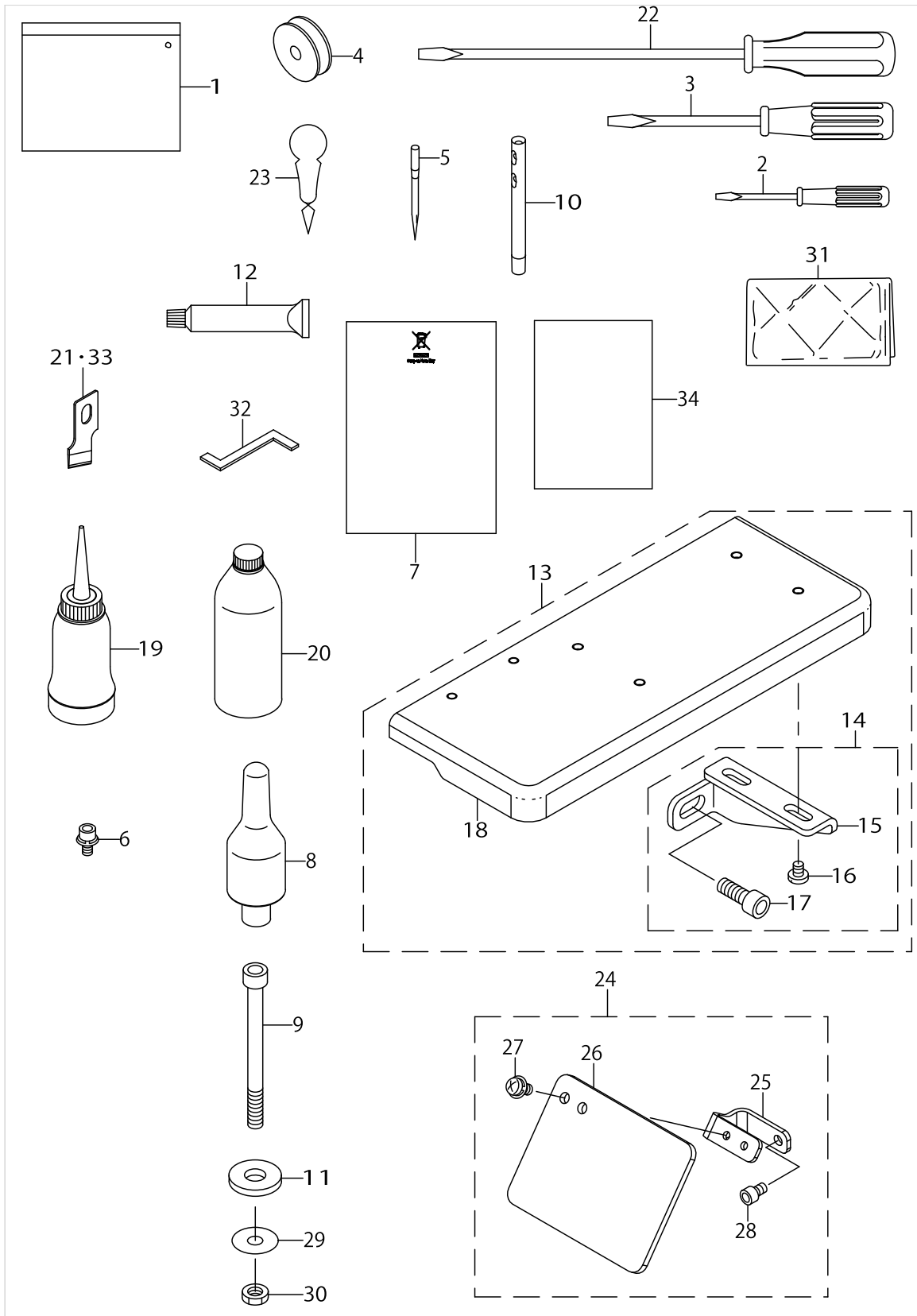
WIRING DIAGRAM



WIRING DIAGRAM

No.	Parts No.	Parts name	Remarks	Level	Cons	Qty
1	40138611	INT PCB ASSY				1
2	40005400	PAUSE SWITCH JOINT CORD				1
3	32002354	SWITCH ASM.				1
4	40003499	THREAD BREAK DETECTOR A				1
5	40141480	UT TRIM SENSOR CORD ASSY				1
6	HD00057000A	PHOTO SENSOR				1
7	40141481	DT TRIM SENSOR CORD ASSY				1
8	HD00057000A	PHOTO SENSOR				1
9	40141482	FEED SENSOR CORD ASSY				1
10	HD00057000A	PHOTO SENSOR				1
11	40141484	COVER SENSOR RELAY CORD ASSY				1
12	40141483	COVER SENSOR ASSY				1
13	40139180	NEEDLE SWING MOTOR ASSY				1
14	40139181	FEED MOTOR ASSY				1
15	40139182	CLAMP MOTOR ASSY				1
16	40140040	UT TRIM MOTOR ASSY				1
17	40140041	DT TRIM MOTOR ASSY				1
18	40139183	CLOTH CUT MOTOR ASSY				1
19	40006261	ASSY_AT_SOLENOID				1
20	40111214	FAN MOTOR ASSY				1
21	40141479	INT CORD C ASSY				1
22	40141478	INT CORE B ASSY				1
23	40141477	INT CORD A ASSY				1
24	40023371	SINGLE PHASE POWER CORD ASSY	FOR 1-PHASE 220V~240V			1
25	M90175800A0	POWER CABLE ASM.	FOR 3-PHASE 200V~240V			1
26	40005390	JE POWER CABLE ASM.	FOR CE 220V~240V			1
27	40141487	AC POWER CORD A ASM.	FOR 1-PHASE 220V~240V			1
28	40141488	AC POWER CORD B ASM.	FOR 3-PHASE 200V~240V			1
29	40141489	AC POWER CORD C ASM.	FOR CE 220V~240V			1
30	40113427	POWER SWITCH				1
31	40141333	LBH OPERATION PANEL ASSY	FOR 1-PHASE 220~240V, 3-PHASE 200~240V, 1-PHASE 220~240V (FOR CHINA)			1
32	40141706	ASSY_LED_DEVICE				1
33	40094262	PEDAL SENSOR BASE ASSY				1
34	40003491	ASSY_4_POSITION_PEDAL				1
35	40141500	MC602 CTL BOX A ASM.				1
36	40141501	MC602 CTL BOX B ASM.				1
37	40141502	MC602 CTL BOX C ASM.				1
38	40138920	MAIN PCB ASSY				1
39	40142267	SDC PCB ASSY				1
40	40105465	FLT-T PCB ASSY	FOR 3-PHASE 200V~240V			1
41	40105475	FLT-CE PCB ASSY	FOR CE 220V~240V			1
42	14115554	HEAD GROUND CABLE A ASM.				1
43	40138137	IPM550W MOTOR				1
44	40141334	LBH OPERATION PANEL ASSY CE	FOR 1-PHASE CE 220~240V			1

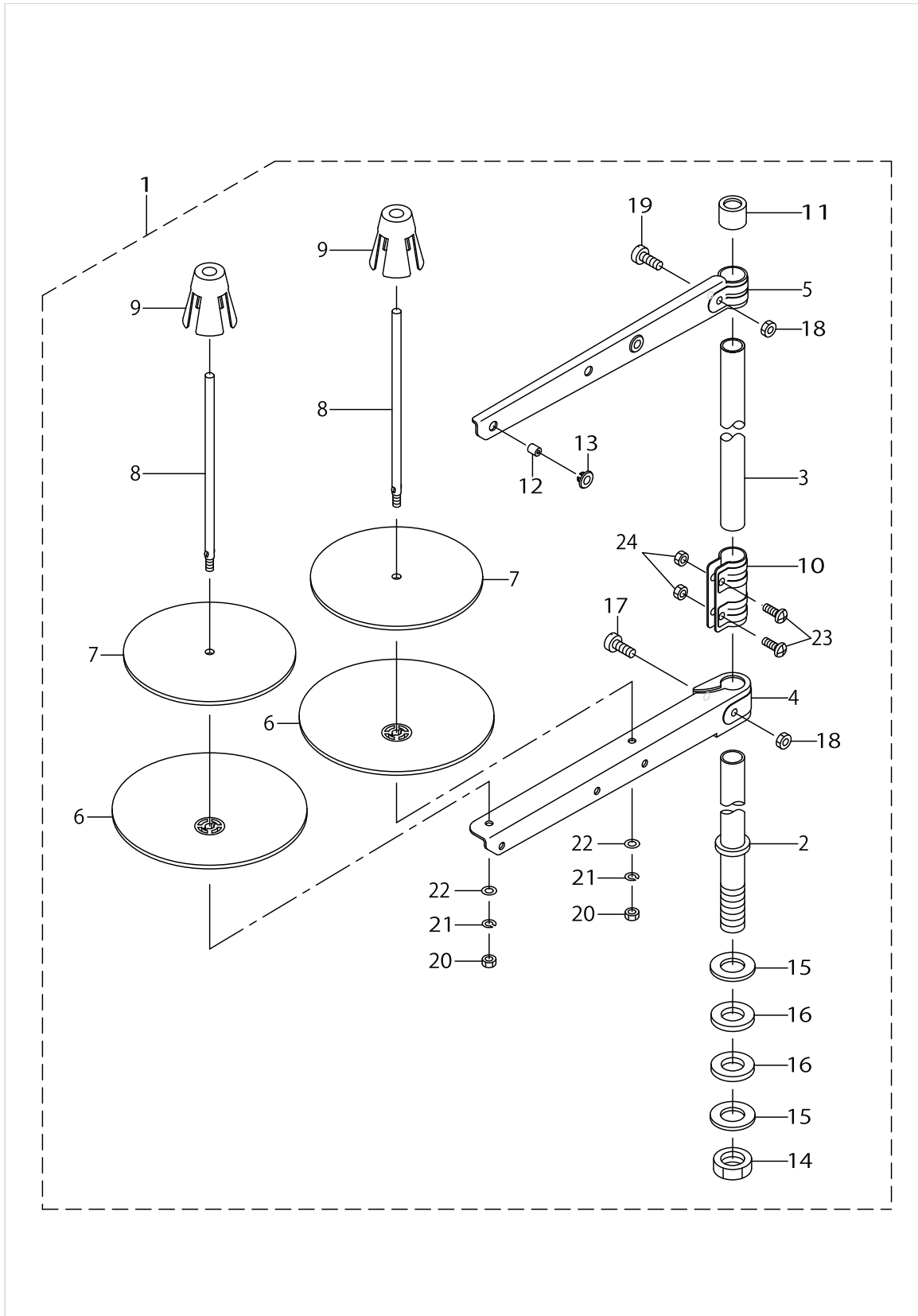
ACCESSORIE PARTS COMPONENTS



ACCESSORIE PARTS COMPONENTS

No.	Parts No.	Parts name	Remarks	Level	Cons	Qty
1	22932800	ACCESSORIE BAG				1
2	22933204	SCREW DRIVER SMALL				1
3	22933105	SCREW DRIVER MIDDLE				1
4	40009148	BOBBIN			☆	1
5	MDP5J0B1102	NEEDLE DPX5 #11J-2			☆	1
6	SL6040892TN	BOLT				1
7	CM600100201	WEEE INFORMATION SHEET				1
8	14101208	HEAD SUPPORT BAR				1
9	SM6067052TP	HEXAGON BOLT				4
10	22502504	THREAD GUIDE BAR				1
11	D6056555B00	RUBBER CUSHION (B)				4
12	40006323	JUKI GREASE A TUBE			☆	1
13	40165710	AUXILIARY_TABLE_SET				1
14	40145523	INSTALLING_PLATE_SET		*		1
15	13785803	INSTALLING PLATE		*		2
16	SS7110570SP	SCREW 11/64-40 L=4.8		*		4
17	SM6061002TP	SCREW M6 L=10		*		2
18	40165711	PAINTED_AUXILIARY_TABLE		*		1
19	B91210120A0	OILER ASM.				1
20	MDFRX1200C0	NEW DEFRIX OIL NO.1(200ML)			☆	1
21	B2702047M00A	KNIFE 5/8			☆	1
22	22933006	SCREW DRIVER LARGE				1
23	B9107761000	THREAD PASSING INSTRUMENT			☆	1
24	40142172	ASSY_SAFETY_PLATE_B				1
25	40141799	SAFETY_PLATE_BASE		*		1
26	40141798	SAFETY_PLATE		*		1
27	SL4040891SC	SCREW M4 L=8		*		2
28	SM6040602TP	SCREW M4 L=6		*		1
29	WP0612056SD	WASHER 6.1X18.5X2				4
30	NM6060001SD	NUT M6				8
31	26234005	VINYL COVER				1
32	13943402	TIMING GAUGE				1
33	B2702047K00A	KNIFE 3/8			☆	1
34	29180403	EC PRODUCTION DECLARATION				1

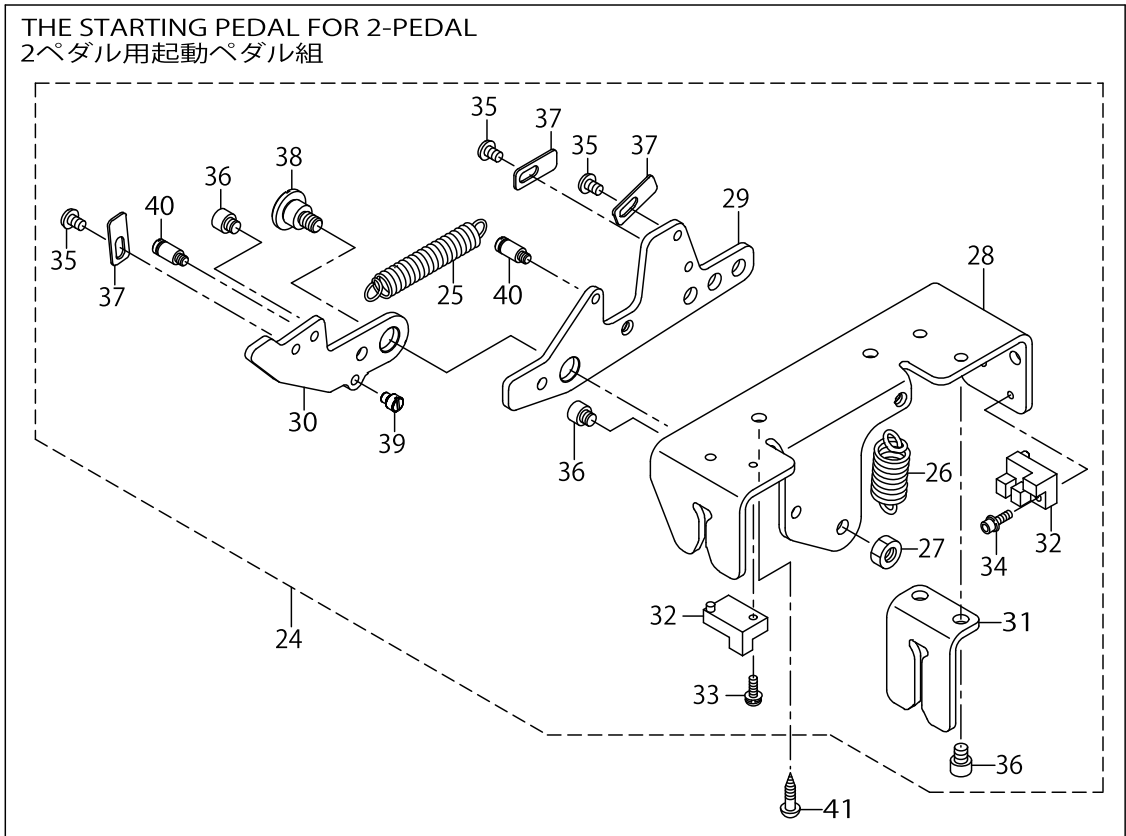
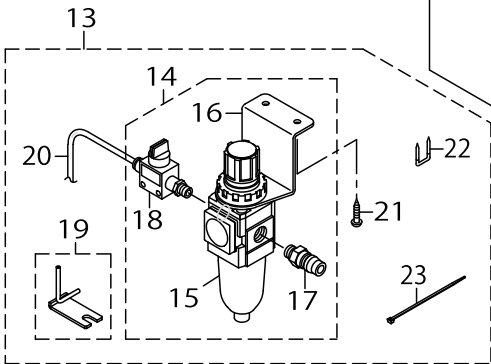
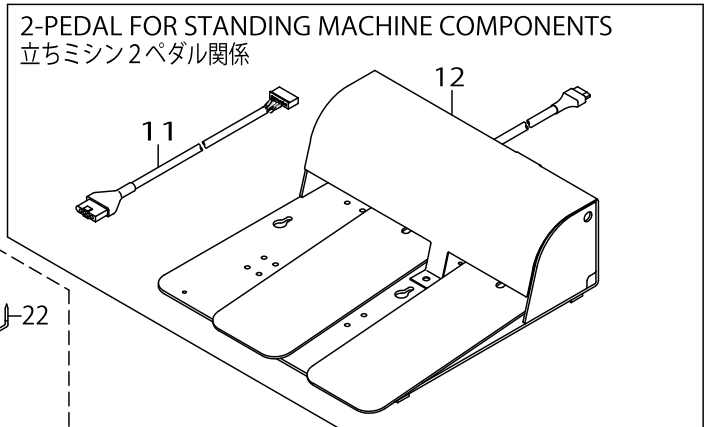
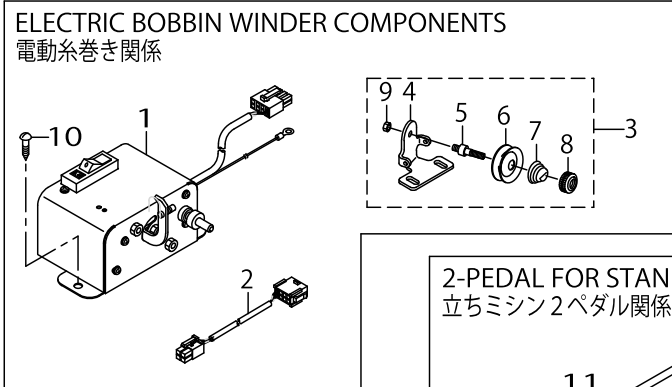
THREAD STAND COMPONENTS



THREAD STAND COMPONENTS

No.	Parts No.	Parts name	Remarks	Level	Cons	Qty
1	40096354	THREAD STAND ASM.				1
2	40085784	SPOOL REST ROD LOWER		*		1
3	40085785	SPOOL REST ROD UPPER		*		1
4	40085786	SPOOL REST ARM LOWER		*		1
5	40085787	SPOOL REST ARM UPPER		*		1
6	40085788	SPOOL REST		*		2
7	40085789	SPOOL REST CUSHION		*	☆	2
8	40085790	SPOOL PIN		*		2
9	40085791	SPOOL RETAINER		*		2
10	40085792	SPOOL REST ROD JOINT		*		1
11	40085793	SPOOL REST ROD RUBBER CAP		*		1
12	40085794	THREAD GUIDE		*		2
13	40085795	THREAD GUIDE BUSHING		*		2
14	40096325	SPOOL REST ROD NUT		*		1
15	WP1612616SE	WASHER 16X30X2.6		*		2
16	40085796	SPOOL REST ROD RUBBER CUSHION		*		2
17	40096326	SPOOL REST ARM LOWER SCREW		*		1
18	NM6050001SE	NUT M5		*		2
19	40096327	SPOOL REST ARM UPPER SCREW		*		1
20	NM6050001SE	NUT M5		*		2
21	WS0510002KN	SPRING WASHER M5		*		2
22	WP0531001SC	WASHER M5		*		2
23	SM4051405SE	SCREW M5 L=14		*		2
24	NM6050001SE	NUT M5		*		2

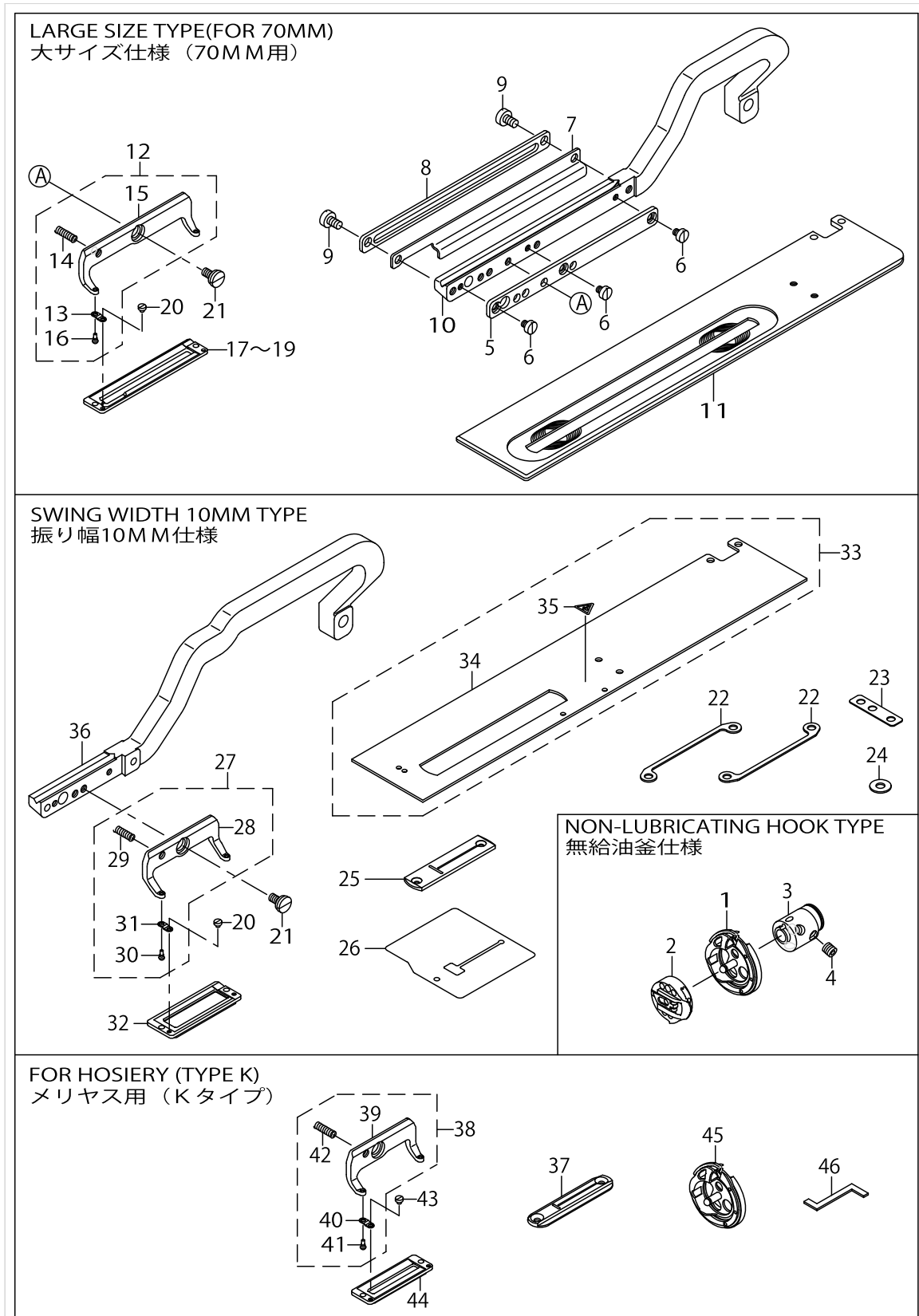
SPECIAL SPECIFICATIONS COMPONENTS (1)



SPECIAL SPECIFICATIONS COMPONENTS (1)

No.	Parts No.	Parts name	Remarks	Level	Cons	Qty
1	G50011980A0A	BOBBIN WINDER ASM.				1
2	40005405	WINDER CORD ASSY				1
3	B32217710A0	BOBBIN WINDER TENSION BRACKET ASM.				1
4	B3221771000	BOBBIN WINDER TENSION BRACKET		*		1
5	B3219232000	BOBBIN WINDER TENSION POST		*		1
6	B3214047000	BOBBIN WINDER TENSION DISC		*		2
7	B3218232000	BOBBIN WINDER TENSION SPRING		*		1
8	B3216047000	BOBBIN WINDER TENSION NUT		*		1
9	NS6110310SP	NUT 11/64-40		*		1
10	SK3452000SC	WOOD SCREW D=4.5 L=20				4
11	40003493	PK PEDAL JOINT CORD ASSY				1
12	GPK510010B0	PEDAL SWITCH ASM.				1
13	40097040	HOOK COOLING UNIT B				1
14	40023432	FILTER REGULATOR ASM.		*		1
15	PF0551060A0	FILTER REGULATOR		*		1
16	PF902005000	REGULATOR BRACKET		*		1
17	PJ025100003	PLUG		*		1
18	PV015122000	FINGER VALVE		*		1
19	40094012	PIPE BRACKET ASM.		*		1
20	BT0400251EB	URETHANE HOSE BLACK		*		1.5
21	SK3412001SE	WOOD SCREW D=4.1 L=20		*		2
22	MAO11532000	CORD STAPLE		*		2
23	EA9500B0100	CABLE BAND		*		2
24	40003491	ASSY_4_POSITION_PEDAL				1
25	13731906	SPRING		*		1
26	B2583210D00	SPRING		*		1
27	NM6060001CP	NUT M6		*		1
28	40004360	PEDAL_FRAME		*		1
29	40004361	PEDAL_FRAME_A		*		1
30	40004362	PEDAL_FRAME_B		*		1
31	40004363	PEDAL_FRAME_GUIDE		*		1
32	HD00057000A	PHOTO SENSOR		*		2
33	SL4031091SC	SCREW M3 L=10		*		1
34	SL6031042TN	SCREW		*		1
35	SM5040655SN	SCREW		*		3
36	SM6050652TP	HEXAGON SOCKET HEAD SCREW M5X6		*		4
37	40004364	SENSOR_DETECTING_PLATE		*		3
38	SD1000646TP	SHOULDER SCREW D=10 H=6.4		*		1
39	40004299	STOPPER_PIN		*		1
40	40004327	SUSPENSION_SCREW		*		2
41	SK3482001SE	WOOD SCREW D=4.8 L=20				2


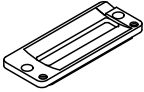
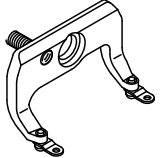
SPECIAL SPECIFICATIONS COMPONENTS (2)


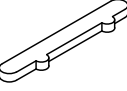
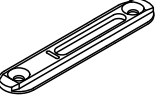


SPECIAL SPECIFICATIONS COMPONENTS (2)

No.	Parts No.	Parts name	Remarks	Level	Cons	Qty
1	40006345	RP_HOOK_ASM.			☆	1
2	40006349	RP_BOBBIN_CASE			☆	1
3	13729603	HOOK SLEEVE				1
4	SS8660612TP	SCREW 1/4-40 L=6				4
5	40006340	WORK_CLAMP HOLDER_SPACE	FOR PRESSER 70MM			1
6	SM6040450TP	SCREW M4 L=4	FOR PRESSER 70MM			3
7	40028682	UTT_CLOSE_CAM_120B				1
8	40112711	LIFTING_PLATE_120				1
9	SM6050800SP	SCREW M5 L=8				2
10	40006335	WORK_CLAMP_ARM_120				1
11	40006339	WORK_CLAMP_CARRIER_120				1
12	14523252	PRESSER FOOT 70 ASM.	FOR PRESSER 70MM			1
13	B1509761000	PRESSER FITTING PLATE SPRING		*		2
14	B1512761000	PRESSER FOOT HOLDER SPRING		*		1
15	14523203	PRESSER FOOT 70		*		1
16	B151077100B	PRESSER FOOT PIN B		*		2
17	14523708	URETHANE PRESSER 70	FOR PRESSER 70MM			1
18	14524102	PRESSER 70 (FLAT)	FOR PRESSER 70MM			1
19	14523401	PRESSER 70	FOR PRESSER 70MM			1
20	SS6060210SP	SCREW 3/32-56 L=1.9				6
21	SD0790203SP	HINGE SCREW D=7.94 H=2	FOR PRESSER 70MM			3
22	40011319	THROAT_PLATE_BASE_SPACER				2
23	40004326	BTT_SPACER				1
24	WP0551016SH	WASHER 5.5X13X1				2
25	40015733	THROAT_PLATE(S10)	FOR SWING WIDTH 10MM			1
26	40015802	OIL_SHIELD_10	FOR SWING WIDTH 10MM			1
27	40020010	WORK_CLAMP HOLDER(3-10)_ASSY	FOR SWING WIDTH 10MM			1
28	40020011	WORK_CLAMP HOLDER(3-10)		*		1
29	40008638	WORK_CLAMP_CHECK HOLDER_SPRING_B		*		1
30	B151077100B	WORKCLAMPCHECKSPRINGSETPIN(B)		*		2
31	B1509761000	WORK_CLAMP CHECK SPRING		*		2
32	40017810	WORK_CLAMP(3S-10)	FOR SWING WIDTH 10MM			1
33	40020014	WORK_CLAMP_CARRIER(10X41)_CL	FOR SWING WIDTH 10MM			1
34	40020012	WORK_CLAMP_CARRIER(10X41)		*		1
35	CM300200001	ATTENTION SEAL		*		1
36	40020013	WORK_CLAMP_ARM(10X41)	FOR SWING WIDTH 10MM			1
37	40027554	THROAT_PLATE(1790K5)				1
38	D1511772KA0	WORK_CLAMP CHECK HOLDER ASM.				1
39	B1511772000A	WORK_CLAMP CHECK HOLDER		*		1
40	B1509761000	WORK_CLAMP CHECK SPRING		*		2
41	B151077100B	WORKCLAMPCHECKSPRINGSETPIN(B)		*		2
42	B1512761000	WORK_CLAMP CHECK HOLDER SPRING		*		1
43	SS6060210SP	SCREW 3/32-56 L=1.9				2
44	D1508772K00	WORK_CLAMP CHECK (2K)				1
45	13782065	HOOK COMPL. K				1
46	13782107	HOOK TIMING GAUGE K				1

EXCHANGING PARTS

Cloth Cutting Knife 布切りメス			Presser Foot (Length of Cloth Cutting Knife) 押え (布切りメス長さ)			Presser Foot (Presser Size) 押え足 (押えサイズ)			
									
Standard 標準			Standard 標準			For Hosiery メリヤス用			
inch	mm	NO	NO	NO	NO	NO	NO		
1/4	6.4	1	B2702-047-F00	12	B1552-781-000-A	15	D1508-771-K00-A	18	D1511-771-KA0-A
3/8	9.5	2	B2702-047-K00-A						
7/16	11.1	3	B2702-047-I00						
1/2	12.7	4	B2702-047-L00-A						
9/16	14.3	5	B2702-047-V00						
5/8	15.9	6	B2702-047-M00-A						
11/16	17.5	7	B2702-047-A00						
3/4	19.1	8	B2702-047-N00						
7/8	22.2	9	B2702-047-P00	13	B1552-782-000	16	D1508-772-K00	19	D1511-772-KA0
1	25.4	10	B2702-047-Q00-A						
1-1/4	31.8	11	B2702-047-S00-A	14	B1552-783-000	17	D1508-773-K00	20	D1511-773-KA0

Cloth Cutting Knife 布切りメス			Knife Guard メス受板		Throat Plate 針板		
							
Flat Knife 平メス							
inch	mm	NO	NO	NO	NO		
1/4	6.4	21	B2745-771-F00	31	B2746-771-000	32	137-82800
3/8	9.5	22	B2745-771-K00				
1/2	12.7	23	B2745-771-L00				
9/16	14.3	24	B2745-771-H00				
5/8	15.9	25	B2745-771-M00				
3/4	19.1	26	B2745-771-N00				
7/8	22.2	27	B2745-771-P00				
1	25.4	28	B2745-771-Q00				
1-1/8	28.6	29	B2745-771-R00				
1-1/4	31.8	30	B2745-771-S00				

EXCHANGING PARTS

No.	Parts No.	Parts name	Remarks	Level	Cons	Qty
1	B2702047F00	KNIFE 1/4				1
2	B2702047K00A	KNIFE 3/8				1
3	B2702047I00	KNIFE (7/16)				1
4	B2702047L00A	KNIFE 1/2				1
5	B2702047V00	KNIFE 9/16				1
6	B2702047M00A	KNIFE 5/8				1
7	B2702047A00	KNIFE 11/16				1
8	B2702047N00	KNIFE 3/4				1
9	B2702047P00	KNIFE 7/8				1
10	B2702047Q00A	KNIFE 1				1
11	B2702047S00A	KNIFE 1-1/4				1
12	B1552781000A	PRESSER				1
13	B1552782000	WORK CLAMP CHECK, 2				1
14	B1552783000	WORK CLAMP CHECK, 3				1
15	D1508771K00A	LATCH WORK CLAMP CHECK				1
16	D1508772K00	WORK CLAMP CHECK (2K)				1
17	D1508773K00	WORK CLAMP CHECK (3K)				1
18	D1511771KA0A	WORK CLAMP CHECK HOLDER				1
19	D1511772KA0	WORK CLAMP CHECK HOLDER				1
20	D1511773KA0	WORK CLAMP CHECK HOLDER				1
21	B2745771F00	KNIFE 1/4"(FLUOROCARBON)				1
22	B2745771K00	KNIFE 3/8"(FLUOROCARBON)				1
23	B2745771L00	KNIFE 1/2				1
24	B2745771H00	KNIFE 9/16"(FLUOROCARBON)				1
25	B2745771M00	KNIFE 5/8				1
26	B2745771N00	KNIFE 3/4				1
27	B2745771P00	KNIFE 7/8"(FLUOROCARBON)				1
28	B2745771Q00	KNIFE 1				1
29	B2745771R00	KNIFE 1-1/8"(FLUOROCARBON)				1
30	B2745771S00	KNIFE 1-1/4				1
31	B2746771000	KNIFE GUARD				1
32	13782800	THROAT PLATE(FLUOROCARBON)				1

HOW TO MAKE USE OF THIS PARTS LIST

1.Explanation of codes

1)"*"mark.....means this part is changed from the previous parts book.

As to the details of the change, refer to the "List for information of change".

2)"#01".....refer to "Note" explanation at bottom of page.

2.Codes on the "Qty" column

- Each numeral indicates the number of parts required.
- "0.1" and "2.5" indicate the length (in meters) of the respective parts.

3.Parentheses mean that the corresponding part is a subpart that constructs an assembly part.

4.Dotted lines on the Figures indicate assembly parts.

5.As to the parts with marks of "☆"(consumable parts) and "◎"(optional parts)on the respective parts, it is recommended to prepare spares.

1."注記"欄の記号説明

1) "*"印.....前回のパーツブックに比較して今回変更された部品を意味します。

変更内容は、"変更情報リスト"を参照してください。

2) "#01".....ページ下の"注記"の説明を参照してください。

2.数量欄の数字は、個数を表し、0.1、2.5等の数値は、長さ（単位メートル）を表します。

3.数量欄の（ ）は、組部品を構成している子部品であることを意味します。

4.イラストページの-----枠は、組構成であることを意味します。

5.リストページの"☆"（消耗部品）、"◎"（オプション部品）の印がついた部品は、予備を準備しておくことをお奨めします。

NUMERICAL INDEX OF PARTS

PART NO	PAGE	REF NO.	PART NO	PAGE	REF NO.	PART NO	PAGE	REF NO.
10006104	6	18	22502504	44	10	40004186	14	8
11072402	8	62	22528764	2	41	40004187	14	9
11093606	8	63	22529473	8	60	40004188	14	5
11155108	34	3	22529481	8	59	40004194	16	5
11155207	34	4	22891204	16	3	40004197	16	7
11157567	34	7	22918304	10	43	40004198	16	8
11272507	24	24	22932800	44	1	40004200	16	9
13127402	16	43	22933006	44	22	40004201	16	10
13700406	4	51	22933105	44	3	40004205	16	18
13700505	4	52	22933204	44	2	40004206	10	39
13700604	4	50	23530405	22	4	40004209	22	27
13700703	4	62	23536204	14	6	40004212	22	30
13703806	2	24	23630007	14	26	40004213	22	31
13703905	2	25	26230409	2	13	40004214	22	34
13705405	4	69	26230409	8	58	40004215	22	33
13706403	22	14	26234005	44	31	40004216	22	25
13710306	14	11	26260109	6	28	40004217	22	26
13710405	14	20	26260208	6	29	40004218	22	13
13710504	14	12	26260307	6	30	40004222	22	29
13727102	30	54	26260406	6	31	40004224	22	21
13729066	14	13	26260505	6	32	40004232	26	52
13729306	30	55	26260604	6	33	40004234	24	37
13729603	14	31	26260802	6	35	40004235	24	26
13729603	50	3	26261206	6	39	40004236	24	43
13729652	14	30	26261305	6	40	40004238	24	27
13729769	14	29	26261503	6	41	40004240	26	50
13731906	48	25	26261602	6	42	40004243	26	63
13737408	28	9	26261701	6	43	40004244	24	41
13782065	50	45	29180403	44	34	40004245	24	42
13782107	50	46	32002354	2	39	40004246	26	64
13782800	52	32	32002354	42	3	40004247	24	40
13785803	44	15	32055402	6	21	40004248	24	38
13922208	2	47	40003491	42	34	40004249	26	62
13943303	4	56	40003491	48	24	40004250	26	65
13943402	44	32	40003493	48	11	40004252	6	22
14101208	44	8	40003499	6	26	40004252	24	39
14115554	6	7	40003499	42	4	40004254	24	29
14115554	42	42	40004156	2	9	40004254	28	22
14504401	14	17	40004157	2	7	40004255	26	70
14523203	50	15	40004159	2	11	40004264	24	33
14523252	50	12	40004160	2	44	40004265	24	34
14523401	50	17~19	40004161	2	15	40004267	16	37
14523708	50	17~19	40004171	10	19	40004275	18	79
14524102	50	17~19	40004180	14	18	40004279	18	51
22502504	2	42	40004185	10	14	40004280	18	50

NUMERICAL INDEX OF PARTS

PART NO	PAGE	REF NO.	PART NO	PAGE	REF NO.	PART NO	PAGE	REF NO.
40004285	18	48	40004393	32	32	40010534	10	24
40004287	18	58	40004394	32	29	40010535	10	26
40004288	18	59	40004396	32	30	40011143	6	27
40004289	16	36	40004398	32	27	40011144	6	34
40004291	18	78	40004400	24	17	40011145	6	36
40004293	24	4	40005390	42	24~26	40011146	6	37
40004294	26	71	40005400	42	2	40011205	30	50
40004296	24	36	40005405	48	2	40011319	50	22
40004297	24	66	40006261	6	1	40011327	30	63
40004297	26	66	40006261	42	19	40011355	14	16
40004298	24	67	40006263	6	2	40011517	10	1
40004298	26	67	40006264	6	3	40015674	26	54
40004299	28	69	40006265	6	23	40015702	26	51
40004299	30	69	40006307	10	10	40015733	50	25
40004299	48	39	40006314	4	49	40015802	50	26
40004301	28	46	40006317	14	21	40017810	50	32
40004306	28	39	40006320	14	25	40020010	50	27
40004308	28	32	40006323	44	12	40020011	50	28
40004309	28	29	40006335	20	13	40020012	50	34
40004311	28	36	40006335	50	10	40020013	50	36
40004321	28	31	40006339	20	7	40020014	50	33
40004324	28	47	40006339	50	11	40020310	18	67
40004326	50	23	40006340	50	5	40021933	6	38
40004327	28	68	40006345	50	1	40021998	28	27
40004327	30	68	40006349	50	2	40022121	16	11
40004327	48	40	40008423	10	35	40022322	28	30
40004328	30	73	40008638	20	6	40022323	28	28
40004329	28	4	40008638	50	29	40023371	42	24~26
40004336	28	3	40008646	20	2	40023432	48	14
40004343	28	7	40008647	20	5	40027553	30	49
40004344	28	8	40008658	20	15	40027554	50	37
40004345	30	52	40008671	22	5	40028634	26	48
40004346	30	64	40008671	32	14	40028636	26	61
40004347	30	53	40008977	4	57	40028682	20	10
40004348	30	65	40008978	4	58	40028682	50	7
40004349	30	71	40009037	4	64	40029613	28	33
40004360	48	28	40009148	44	4	40032269	10	29
40004361	48	29	40010434	16	15	40037008	8	52
40004362	48	30	40010435	16	16	40040276	32	28
40004363	48	31	40010489	32	16	40042089	32	18
40004364	48	37	40010510	6	19	40042134	34	21
40004373	22	23	40010511	6	6	40051473	10	15
40004374	22	24	40010512	6	20	40051474	10	16
40004378	22	2	40010514	6	5	40067165	20	1
40004379	22	3	40010522	6	8	40075297	16	4

NUMERICAL INDEX OF PARTS

PART NO	PAGE	REF NO.	PART NO	PAGE	REF NO.	PART NO	PAGE	REF NO.
40085784	46	2	40115876	38	9	40141501	38	1~3
40085785	46	3	40115877	38	26	40141501	42	35~37
40085786	46	4	40115878	38	28	40141502	38	1~3
40085787	46	5	40115879	38	12	40141502	42	35~37
40085788	46	6	40116677	38	43	40141706	2	45
40085789	46	7	40126054	40	51	40141706	42	32
40085790	46	8	40138137	10	22	40141709	2	3
40085791	46	9	40138137	42	43	40141710	2	26
40085792	46	10	40138611	4	70	40141711	2	27
40085793	46	11	40138611	42	1	40141713	4	66
40085794	46	12	40138920	38	13	40141714	2	43
40085795	46	13	40138920	42	38	40141716	10	20
40085796	46	16	40139180	22	8	40141717	10	27
40088990	22	1	40139180	42	13	40141718	10	33
40093423	34	11	40139181	16	1	40141719	10	28
40094012	48	19	40139181	42	14	40141720	10	9
40094259	34	9	40139182	16	34	40141721	10	6
40094260	34	10	40139182	42	15	40141725	10	41
40094262	34	8	40139183	32	2	40141726	10	42
40094262	42	33	40139183	42	18	40141727	10	45
40096325	46	14	40140040	24	46	40141730	10	46
40096326	46	17	40140040	42	16	40141739	14	14
40096327	46	19	40140041	28	12	40141740	14	19
40096354	46	1	40140041	42	17	40141741	16	13
40097040	48	13	40141333	36	1·2	40141742	16	27
40101638	24	30	40141333	42	31·44	40141743	18	60
40101638	28	23	40141334	36	1·2	40141744	16	12
40101641	24	28	40141334	42	31·44	40141745	18	53
40101642	24	31	40141477	8	65	40141746	18	57
40101649	28	6	40141477	42	23	40141747	18	52
40105465	38	15·16	40141478	6	17	40141748	18	68
40105465	42	40·41	40141478	42	22	40141753	18	54
40105475	38	15·16	40141479	8	51	40141754	16	46
40105475	42	40·41	40141479	42	21	40141755	16	45
40108754	16	6	40141480	42	5	40141756	18	55
40111214	4	73	40141481	42	7	40141757	16	44
40111214	38	17	40141482	42	9	40141758	22	6
40111214	42	20	40141483	4	79	40141759	22	7
40112711	20	11	40141483	42	12	40141760	22	9
40112711	50	8	40141484	42	11	40141774	24	35
40113427	40	46	40141487	42	27~29	40141778	28	5
40113427	42	30	40141488	42	27~29	40141779	28	18
40114136	38	36	40141489	42	27~29	40141780	32	5
40114398	38	35	40141500	38	1~3	40141781	32	4
40115874	38	7	40141500	42	35~37	40141782	32	8

NUMERICAL INDEX OF PARTS

PART NO	PAGE	REF NO.	PART NO	PAGE	REF NO.	PART NO	PAGE	REF NO.
40141783	32	13	40165711	44	18	B2746771000	52	31
40141785	32	19	B1414232000	22	28	B3013141H0A	28	35
40141786	32	17	B1509761000	18	72	B3214047000	8	64
40141787	32	25	B1509761000	20	4	B3214047000	48	6
40141788	16	30	B1509761000	50	40	B3216047000	48	8
40141794	18	49	B151077100B	18	73	B3218232000	48	7
40141795	2	33	B151077100B	20	3	B3219232000	48	5
40141798	44	26	B151077100B	50	41	B3221771000	48	4
40141799	44	25	B1511771000B	18	71	B32217710A0	48	3
40141801	16	31	B1511772000A	50	39	B9107761000	44	23
40141802	30	70	B1512761000	18	74	B91210120A0	44	19
40142148	2	17	B1512761000	50	42	BT0400251EB	48	20
40142152	10	2	B1552781000A	18	76	CM300100001	38	39
40142161	16	29	B1552781000A	52	12	CM300100402	38	41
40142163	32	11	B1552782000	52	13	CM300200001	4	72
40142164	32	12	B1552783000	52	14	CM300200001	50	35
40142166	26	49	B1623180000	28	34	CM300200003	4	68
40142170	28	2	B1811771000	14	28	CM300400602	38	40
40142172	44	24	B2583210D00	48	26	CM301300001	4	71
40142267	38	23	B2702047A00	52	7	CM600100101	38	42
40142267	42	39	B2702047F00	52	1	CM600100201	44	7
40142752	14	24	B2702047I00	52	3	CQ202000000	14	27
40142753	14	22	B2702047K00A	44	21-33	CQ252000000	10	18
40142754	14	23	B2702047K00A	52	2	CQ252000000	14	32
40142755	16	33	B2702047L00A	32	22	CS0800881TP	24	25
40142878	10	47	B2702047L00A	52	4	CS1000881TP	10	31
40142880	10	44	B2702047M00A	44	21-33	CS1501181TP	22	17
40142887	2	18	B2702047M00A	52	6	D1508771K00A	52	15
40142966	34	1	B2702047N00	52	8	D1508772K00	50	44
40142969	40	62	B2702047P00	52	9	D1508772K00	52	16
40143150	10	5	B2702047Q00A	52	10	D1508773K00	52	17
40143770	2	1	B2702047S00A	52	11	D1511771KA0A	18	70
40143988	38	5-6	B2702047V00	52	5	D1511771KA0A	52	18
40143989	38	5-6	B2702210000	6	24	D1511772KA0	50	38
40143990	38	27	B2703210000	6	25	D1511772KA0	52	19
40145327	4	78	B2745771F00	52	21	D1511773KA0	52	20
40145328	2	20	B2745771H00	52	24	D3162555B00	8	54
40145523	44	14	B2745771K00	52	22	D6056555B00	4	61
40150011	10	25	B2745771L00	52	23	D6056555B00	44	11
40165701	10	37	B2745771M00	52	25	D8204555D00	34	6
40165702	40	61	B2745771N00	52	26	E2002855000	4	60
40165703	10	38	B2745771P00	52	27	E8760452S00	40	45
40165704	10	36	B2745771Q00	52	28	EA9500B0100	8	56
40165706	2	5	B2745771R00	52	29	EA9500B0100	24	3
40165710	44	13	B2745771S00	52	30	EA9500B0100	38	44

NUMERICAL INDEX OF PARTS

PART NO	PAGE	REF NO.	PART NO	PAGE	REF NO.	PART NO	PAGE	REF NO.
EA9500B0100	48	23	NM6060001CP	48	27	SD0801006TP	30	67
EA9500B0200	40	58	NM6060001SC	40	63	SD0801506TP	24	23
G50011980A0A	48	1	NM6060001SD	4	53	SD1000646TP	48	38
GPK510010B0	48	12	NM6060001SD	44	30	SK3311600SC	34	5
HD00057000A	16	2	NM6080002SC	34	17	SK3382001SE	36	3
HD00057000A	24	47	NM6080002SC	40	55	SK3412001SE	48	21
HD00057000A	28	19	NM6100001SD	10	8	SK3452000SC	48	10
HD00057000A	42	10	NS6110310SP	8	61	SK3482001SE	48	41
HD00057000A	48	32	NS6110310SP	48	9	SK3512001SE	40	52
HF0013050P0	40	56·57	PF0551060A0	48	15	SL4030881SC	4	80
HF003000200	40	56·57	PF902005000	48	16	SL4030881SC	38	38
HX001500000	4	81	PJ025100003	48	17	SL4031091SC	16	19
HX00150000A	28	1	PV015122000	48	18	SL4031091SC	24	7
HX00150000D	40	48	RC0100001KP	10	4	SL4031091SC	28	13
HX00151000A	8	57	RC0560711KP	6	44	SL4031091SC	48	33
HX00222000D	38	31	RC1700001KP	6	4	SL4040881SC	38	37
HX002550000	14	33	RC2791218KP	14	7	SL4040891SC	44	27
HX00292000A	38	21	RC3781518KP	10	3	SL4041081SC	38	24
HX00339000M	38	22	RE0300000K0	24	2	SL4041091SC	34	12
KX000000210	34	13	RE0400000K0	6	45	SL4041091SC	40	47
KX000000230	34	14	RE0500000K0	16	42	SL4041281SC	38	33
KX000000260	38	19	SB1040008C0	32	15	SL4042091SC	38	18
KX000000320	38	32	SB110000600	14	2	SL4042591SC	4	75
KX000000380	4	54	SB110000700	10	7	SL4051291SC	34	20
M300451100A	40	49	SB1120003C0	32	7	SL6031042TN	48	34
M8002430000	38	34	SB112001600	14	1	SL6040892TN	2	63
M90175800A0	42	24~26	SB115000200	14	3	SL6040892TN	4	63
MAO11532000	48	22	SB115001500	14	4	SL6040892TN	30	72
MAZ16013000	26	69	SB1200008C0	10	34	SL6040892TN	44	6
MDFRX1200C0	44	20	SB307000200	18	56	SL6041292TN	30	74
MDP5J0B1100	22	16	SB408000100	16	47	SL6041492TN	32	3
MDP5J0B1102	44	5	SB710000600	16	14	SL6061492TN	32	6
MTSHJ100003	34	18	SD0250101SP	28	42	SM0040801SC	2	19
MTSHJ100003	40	50	SD0500166TP	28	43	SM0050801SC	8	53
NM6030001SD	2	22	SD0500167TP	28	44	SM0860400SN	6	9
NM6040000SN	24	32	SD0600266TP	24	8	SM1030400SP	30	48
NM6040001SC	2	74	SD0600326TP	24	21	SM4040655SP	2	28
NM6040001SC	4	74	SD0790203SP	18	77	SM4041050TP	30	58
NM6040001SD	28	66	SD0790203SP	20	9	SM4051001SC	34	15
NM6040001SD	30	66	SD0790203SP	50	21	SM4051055SP	2	16
NM6050001SE	46	24	SD0800296TP	28	62	SM4051405SE	46	23
NM6050001SP	22	22	SD0800296TP	30	62	SM4051655SP	2	12
NM6050001SP	24	57	SD0800326TP	16	35	SM5040550TP	16	28
NM6050001SP	26	57	SD0800406TP	24	22	SM5040655SN	6	47
NM6050001SP	28	11	SD0801006TP	28	67	SM5040655SN	48	35

NUMERICAL INDEX OF PARTS

PART NO	PAGE	REF NO.	PART NO	PAGE	REF NO.	PART NO	PAGE	REF NO.
SM6031402TP	2	23	SM6050802TP	6	11	SM9040700SP	28	17
SM6040450TP	28	61	SM6050802TP	24	60	SM9040700SP	32	24
SM6040450TP	30	61	SM6050802TP	26	60	SM9040800SP	6	15
SM6040450TP	50	6	SM6050802TP	30	75	SM9061403CP	10	13
SM6040502TP	16	41	SM6051002TP	18	65	SS6060210SP	18	75
SM6040502TP	22	35	SM6051202TP	26	68	SS6060210SP	20	8
SM6040600SP	24	59	SM6051202TP	32	10	SS6060210SP	50	43
SM6040600SP	26	59	SM6051402TP	32	21	SS7110570SP	44	16
SM6040600SP	28	59	SM6052002TR	10	23	SS7110840SP	8	55
SM6040600SP	30	59	SM6061002TP	2	36	SS8660612TP	50	4
SM6040602TP	2	82	SM6061002TP	16	23	ST9053511SR	34	2
SM6040602TP	4	82	SM6061002TP	44	17	TA0500301R0	2	46
SM6040602TP	8	50	SM6061202TP	22	20	TA0550604R0	4	83
SM6040602TP	16	20	SM6061202TP	32	31	TA0750404R0	4	84
SM6040602TP	24	58	SM6061802TP	16	24	TA0850604R0	4	67
SM6040602TP	26	58	SM6061802TP	22	12	TA1050504R0	2	32
SM6040602TP	28	57	SM6062502TP	10	11	TA1250406R0	2	34
SM6040602TP	30	57	SM6067052TP	2	37	TA1550902R0	2	35
SM6040602TP	44	28	SM6067052TP	44	9	TA2100904R0	4	76
SM6040650TP	4	77	SM7030550TP	22	15	WP0430800SC	30	51
SM6040750TP	22	32	SM7030550TP	30	56	WP0430800SC	38	4
SM6040802TP	16	61	SM8030412TP	6	13	WP0430801SC	24	6
SM6040802TP	18	61	SM8040802TP	8	49	WP0430801SC	28	26
SM6040802TP	20	14	SM8050412TP	16	17	WP0430801SC	32	23
SM6040802TP	24	12	SM8050412TP	24	19	WP0431005SP	26	53
SM6040802TP	28	15	SM8050412TP	28	16	WP0431005SP	28	37
SM6040860TP	6	10	SM8050502TP	8	48	WP0450826SC	6	46
SM6040860TP	24	11	SM8050502TP	14	10	WP0451016SP	28	38
SM6041002TP	16	22	SM8050502TP	16	40	WP0531001SC	46	22
SM6041002TP	32	26	SM8050502TP	22	18	WP0550800SP	26	56
SM6041200SP	24	13	SM8050502TP	24	20	WP0551016SH	50	24
SM6041200SP	30	60	SM8050602TP	18	66	WP0612056SD	4	55
SM6041202TP	10	40	SM8050612TP	32	20	WP0612056SD	44	29
SM6041202TP	16	38	SM80506A2TP	10	30	WP0621046SP	10	12
SM6041202TP	22	10	SM8060552TP	16	39	WP0651646SC	40	59
SM6041602TP	18	62	SM8060612TP	18	69	WP0851846SC	34	19
SM6050652TP	2	29	SM80606A2TP	2	38	WP0852086SC	40	53
SM6050652TP	24	14	SM80606A2TP	6	14	WP1612616SE	46	15
SM6050652TP	48	36	SM80606A2TP	10	32	WS0410002KP	6	16
SM6050800SP	18	63	SM80606A2TP	14	15	WS0510002KN	46	21
SM6050800SP	20	12	SM80606A2TP	16	26	WS0820002KR	34	16
SM6050800SP	24	15	SM80606A2TP	22	19	WS0820002KR	40	54
SM6050800SP	50	9	SM80608A2TP	10	48	WT0640001KN	40	60
SM6050802TP	2	48	SM80608A2TP	12	48			
SM6050802TP	4	48	SM8081652TP	10	21			