

MODEL : AMS-221ENTS

List No : 1648-05

# PARTS LIST

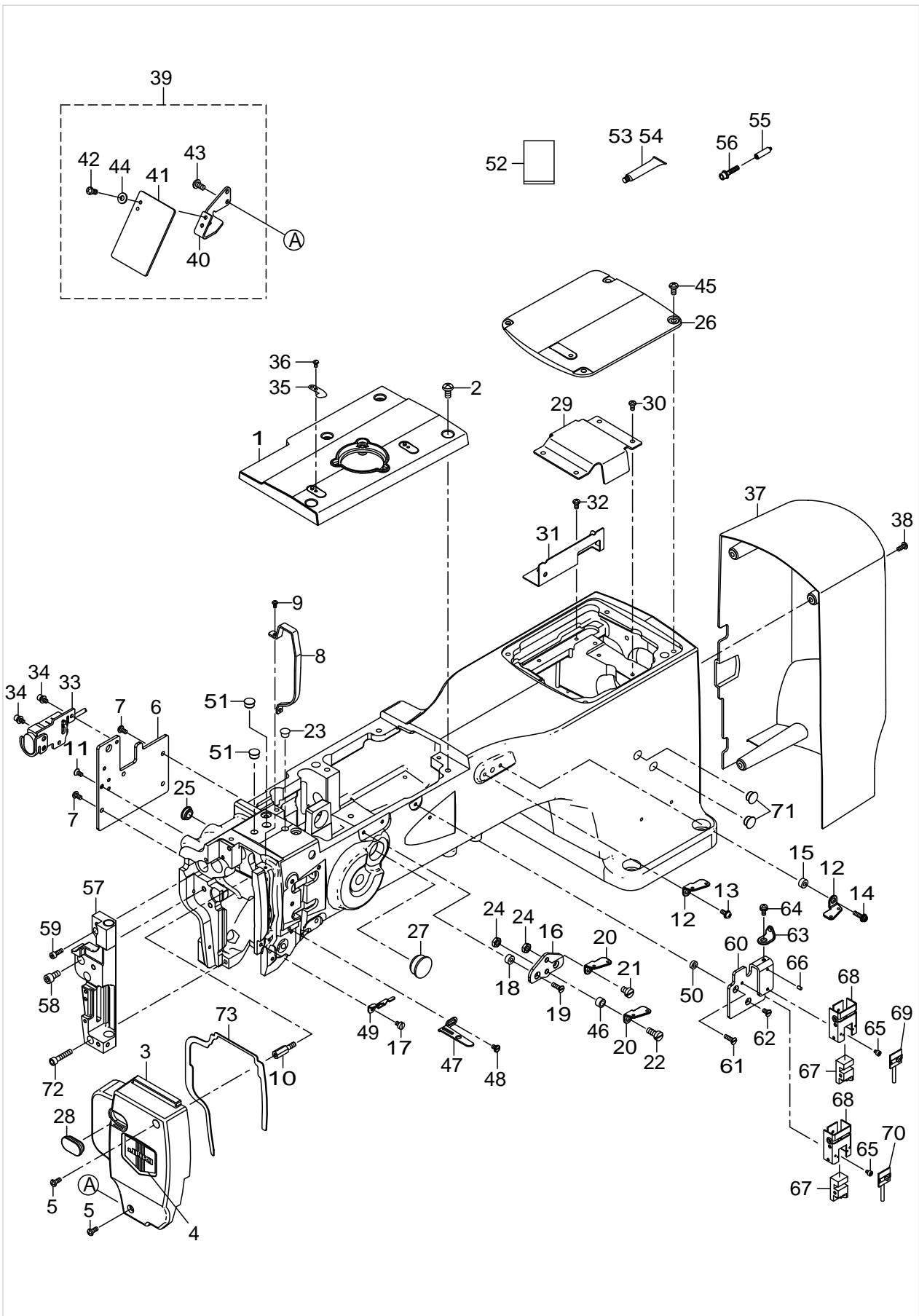
Published:09/10/2017

## CONTENTS

---

FRAME & MISCELLANEOUS COVER COMPONENTS (1) .....	1
FRAME & MISCELLANEOUS COVER COMPONENTS (2) .....	5
FRAME & MISCELLANEOUS COVER COMPONENTS (3) .....	7
FRAME & MISCELLANEOUS COVER COMPONENTS (4) .....	11
MAIN SHAFT & THREAD TAKE UP LEVER COMPONENTS .....	13
NEEDLE BAR COMPONENTS .....	17
PRESSER MECHANISM & PRESSER VARIABLE COMPONENTS (1) .....	23
PRESSER MECHANISM & PRESSER VARIABLE COMPONENTS (2) .....	27
SHUTTLE DRIVER SHAFT COMPONENTS .....	31
WIPER MECHANISM COMPONENTS .....	35
TENSION RELEASE & THREAD TENSION COMPONENTS .....	37
THREAD TRIMMER MECHANISM COMPONENTS .....	41
THREAD CLAMP COMPONENTS .....	45
X-Y COMPONENTS (1) .....	49
X-Y COMPONENTS (2) .....	53
CLOTH FEED MECHANISM COMPONENTS (1) .....	57
CLOTH FEED MECHANISM COMPONENTS (2) .....	59
TABLE COMPONENTS .....	61
PNEUMATIC COMPONENTS .....	67
THREAD STAND COMPONENTS .....	69
OPERATION PANEL COMPONENTS .....	71
CONTROL BOX COMPONENTS .....	73
WIRING DIAGRAM .....	77
PEDAL COMPONENTS .....	81
ACCESSORIE PART COMPONENTS .....	83
LIST FOR INFORMATION OF CHANGE .....	85
HOW TO MAKE USE OF THIS PARTS LIST .....	86

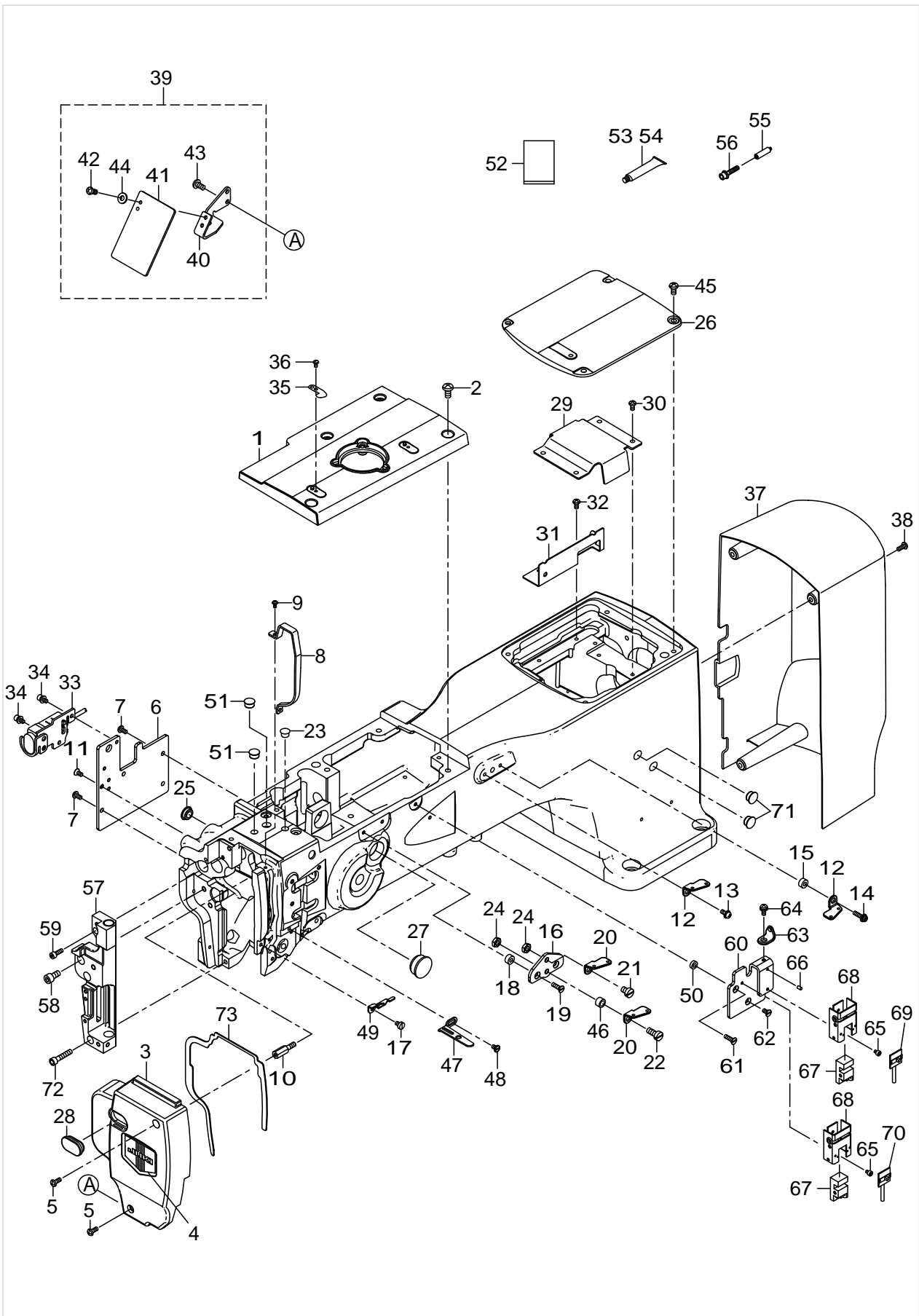
FRAME & MISCELLANEOUS COVER COMPONENTS (1)



FRAME & MISCELLANEOUS COVER COMPONENTS (1)

No.	Parts No.	Parts name	Remarks	Level	Cons	Qty
1	40032158	TOP_COVER_FRONT				1
2	SM4061255SP	SCREW M6 L=12				4
3	40140300	FACE_COVER				1
4	22902506	FACE PLATE				1
5	SM4041055SP	SCREW				2
6	40140244	PRESSER_MECHANISM_COVER				1
7	SM4040855SP	SCREW				4
8	40030828	THREAD_TAKE_UP_LEVER_COVER				1
9	SM4030601SN	SCREW M3X6				2
10	40140212	FACE STUD				1
11	SM1040870TP	SCREW				1
12	26211904	THREAD GUIDE PLATE				2
13	SL4041091SC	SCREW M4 L=10				1
14	SL4041691SC	SCREW M4 L=16				1
15	40141178	THREAD_GUIDE_COLLAR_A				1
16	40140298	THREAD_GUIDE_BASE				1
17	SM6040650TP	SCREW				1
18	40141178	THREAD_GUIDE_COLLAR_A				2
19	SM1041400SP	SCREW				2
20	26211904	THREAD GUIDE PLATE				2
21	SM6060800SP	SCREW M6 L=8				1
22	SM6061400SP	SCREW M6 L=14				1
23	TA0850604R0	RUBBER PLUG				1
24	NM6060003SC	NUT M6X1 TYPE3				2
25	TA1250406R0	RUBBER PLUG D=12.5 L=4				1
26	40032159	TOP_COVER_REAR				1
27	TA2351004R0	RUBBER PLUG				1
28	40028877	FACE_COVER_CAP				1
29	40010405	CRANK_ROD_COVER				1
30	SM4040855SP	SCREW				4
31	40084115	GREASE PLATE				1
32	SM4040855SP	SCREW				2
33	40040242	STOP SW ASM.				1
34	SL6040892TN	BOLT				2
35	10502300	THREAD CUTTER			☆	1
36	SM4030601SN	SCREW M3X6				1
37	40027971	MOTOR_COVER				1
38	SM4041055SP	SCREW				4
39	40006484	SAFETY PLATE COMPL.				1
40	40051987	SAFETY PLATE BASE		*		1
41	B3120372000	SAFETY PLATE		*		1
42	SM4040655SP	SCREW M4 L=6		*		2
43	SM4040855SP	SCREW		*		2
44	WP0450801SD	WASHER 4.5X10X0.8		*		2
45	SM4051055SP	SCREW				4
46	40141179	THREAD_GUIDE_COLLAR_B				1
47	40141945	ARM THREAD GUIDE A				1

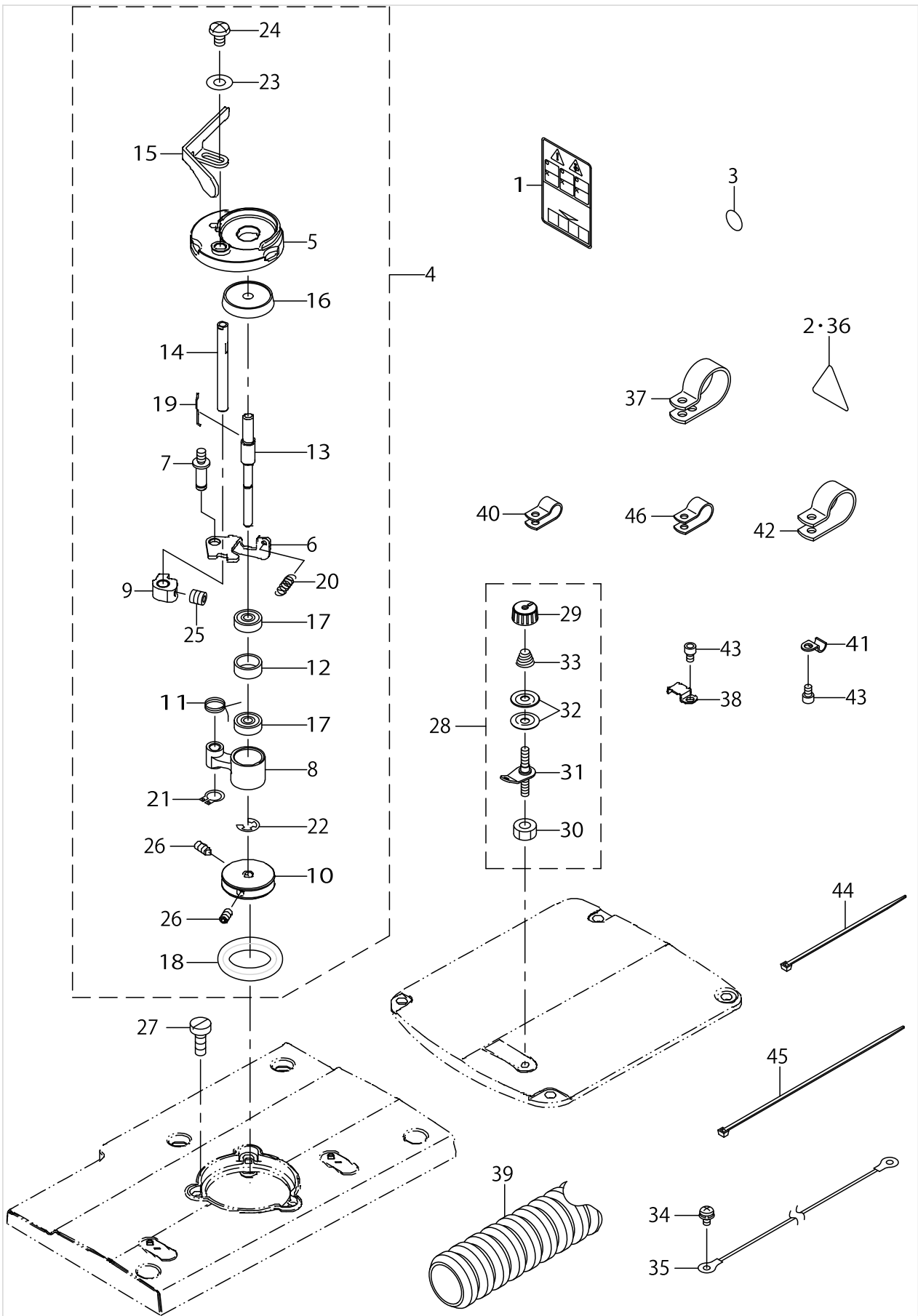
FRAME & MISCELLANEOUS COVER COMPONENTS (1)



FRAME & MISCELLANEOUS COVER COMPONENTS (1)

No.	Parts No.	Parts name	Remarks	Level	Cons	Qty
48	SM6040650TP	SCREW				1
49	40140292	THREAD GUIDE 2C				1
50	B1513210000	CLOTH PRESSER MAGNET SPACER				1
51	TA1050604R0	RUBBER_PLUG				2
52	40031336	FLAT_BAG				1
53	40013640	JUKI_GREASE_B_TUBE			☆	1
54	40006323	JUKI GREASE A TUBE			☆	1
55	40036110	GREASE_JOINT_B				1
56	SL6084092TN	BOLT				1
57	40140207	ARM SPACER				1
58	SM6061202TP	SCREW M6 L=12				2
59	SM6041202TP	SCREW M4 L=12				2
60	40140303	SENSOR_BASE				1
61	SM1041400SP	SCREW				1
62	SM1040800SP	SCREW				1
63	40010414	THREAD_GUIDE_NO.1				1
64	SL4041091SC	SCREW M4 L=10				1
65	SM6030500SN	SCREW M3 L=5				2
66	PS0250062KH	SPRING PIN 2.5X6				1
67	40140984	YARN MOVEMENT SENSOR				2
68	40140988	YARN GUIDE SUPPORT				2
69	40140986	SENSOR CABLE R ASM.				1
70	40140987	SENSOR CABLE L ASM.				1
71	TA1100604R0	PLUG				2
72	SM6052502TP	SCREW M5X0.8 L=25				1
73	40145973	FACE PLATE CUSHION				1

FRAME & MISCELLANEOUS COVER COMPONENTS (2)

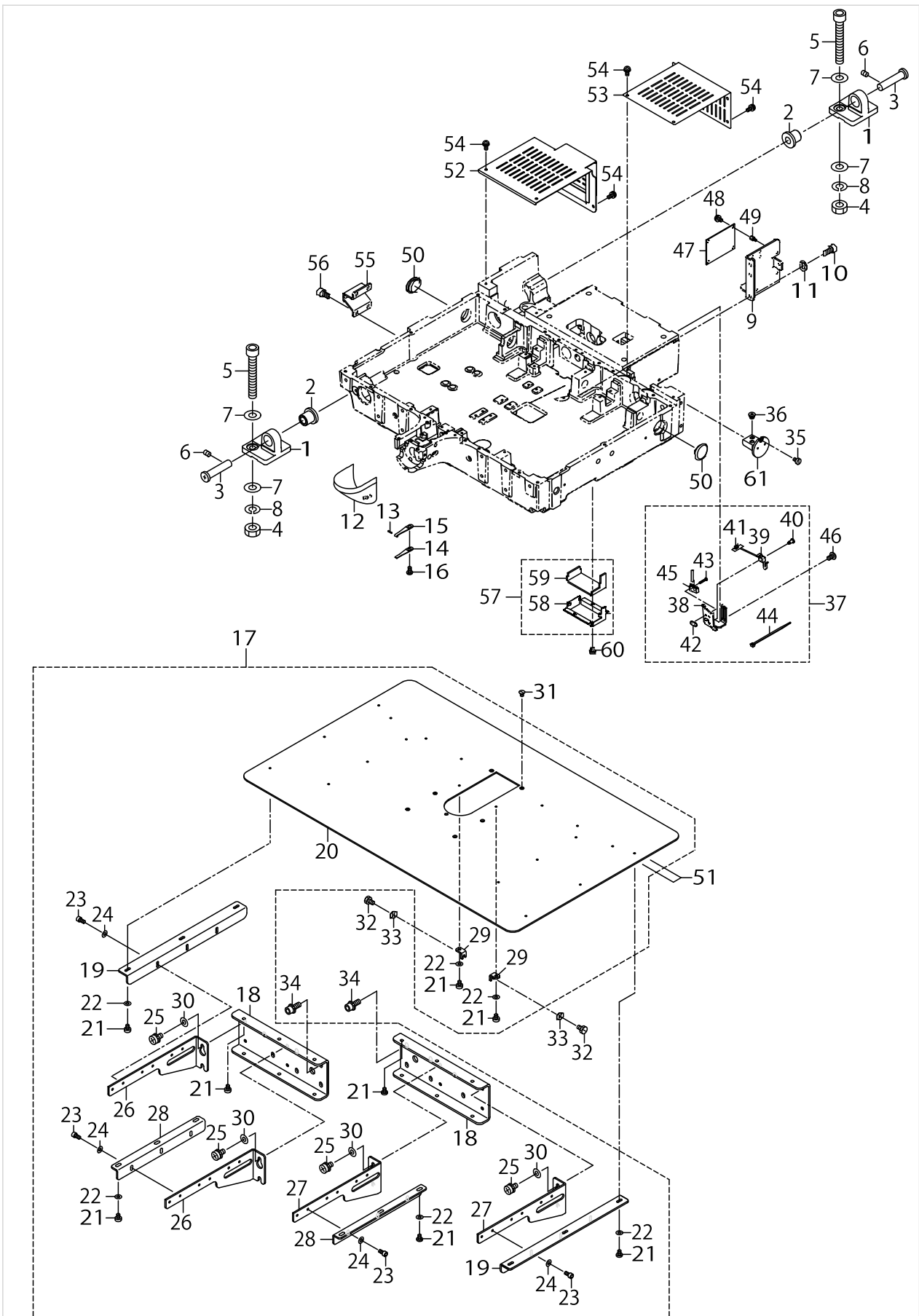


FRAME & MISCELLANEOUS COVER COMPONENTS (2)

No.	Parts No.	Parts name	Remarks	Level	Cons	Qty
1	CM301200001	SAFETY LABEL_S				1
2	CM300200003	ATTENTION LABEL				4
3	22901805	GROUND MARK				1
4	40028338	BOBBIN_WINDER_UNIT				1
5	26260109	BTW_BASE		*		1
6	26260208	BTW_CAM_PLATE		*		1
7	26260307	BTW_BASE_SHAFT		*		1
8	26260406	BTW_SHAFT_BASE		*		1
9	26260505	BTW_CAM_LEVER		*		1
10	26260604	BTW_WHEEL		*		1
11	26260703	BTW_TORSION_SPRING		*		1
12	26260802	BTW_BEARING_SPACER		*		1
13	40023865	BTW_SHAFT		*		1
14	40023866	BTW_LEVER_SHAFT		*		1
15	40030829	BTW_LEVER		*		1
16	26261206	BTW_SPACER		*		1
17	26261305	BTW_BEARING		*		2
18	26261503	BTW_WHEEL_RUBBER		*	☆	1
19	26261602	BOBBIN_SPRING		*		1
20	26261701	BTW_SPRING		*		1
21	RC0560711KP	RETAINING RING		*		1
22	RE0400000K0	E-RING 4		*		1
23	WP0450826SC	WASHER 4.5X10X0.8		*		1
24	SM5040655SN	SCREW		*		1
25	SM8050502TP	SCREW M5 L=5		*		1
26	SM8040802TP	SCREW M4X8		*		2
27	SM6041150TP	SCREW				3
28	14113468	BOBBIN THREAD TENSION ASM.				1
29	11072402	THREAD TENSION NUT		*		1
30	NS6110310SP	NUT 11/64-40		*		1
31	14113450	BOBBIN THREAD TENSION ROD ASM.		*		1
32	B3126012000	THREAD TENSION DISK		*		2
33	D7133555B00	CONNECTING ROD SPRING		*		1
34	SL4040891SC	SCREW M4 L=8				1
35	40005712	EARTH CODE ASM.				1
36	CM300200001	FINGER INJURY CAUTION LABEL (16)				6
37	HX00150000M	CABLE CLAMP				3
38	B3509210000	OIL TUBE HOLDER C				6
39	HX00307000E	TUBE				0.45
40	HX00150000C	CABLE BAND				1
41	B3538112000	OIL RETURN TUBE HOLDER				3
42	HX00150000K	CABLE CLIP				1
43	SM6040602TP	SCREW M4 L=6				9
44	EA9500B0100	CABLE BAND				6
45	EA9500B0200	CABLE BAND 150				6
46	HX00150000D	CABLE CLIP				3



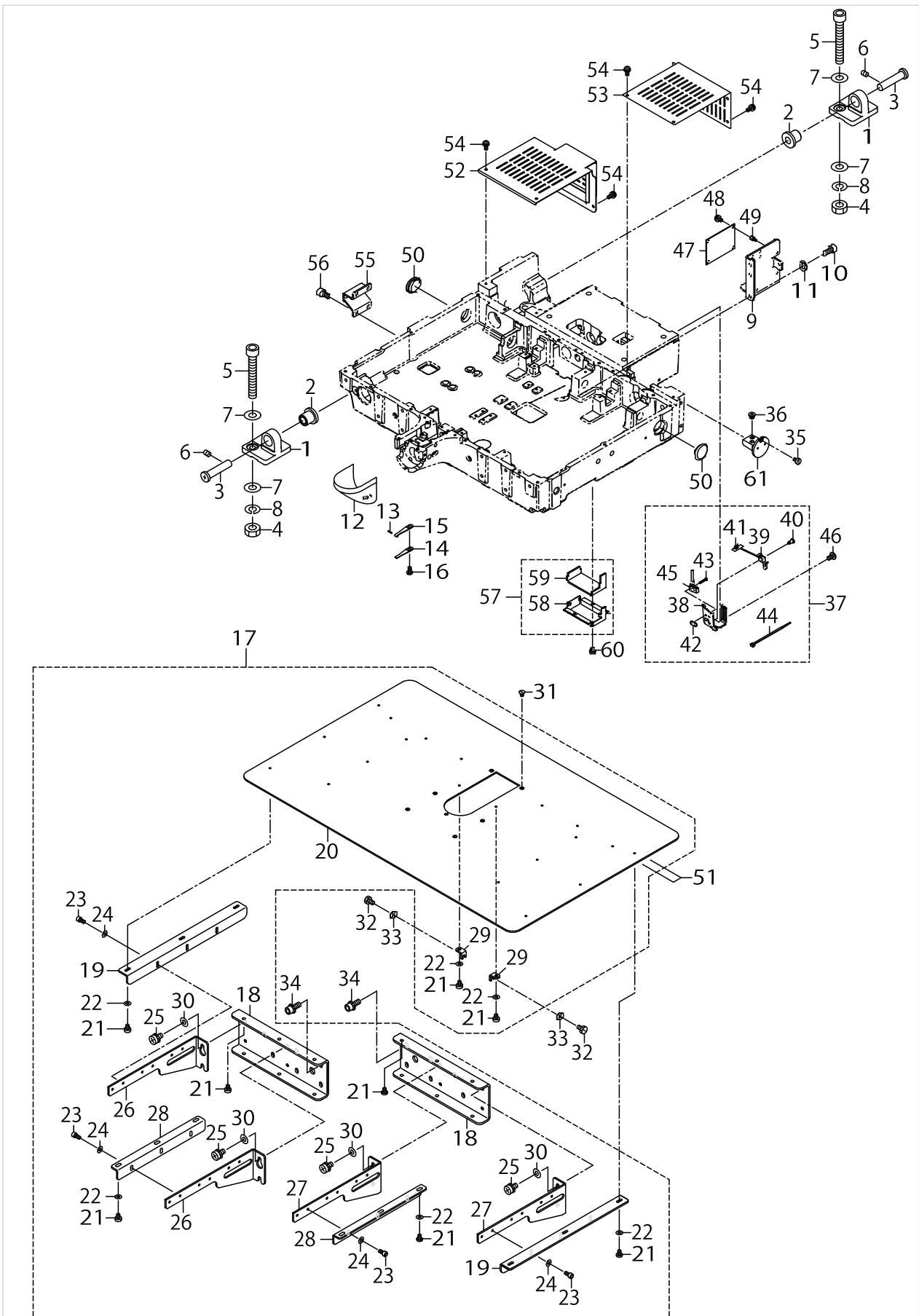
FRAME & MISCELLANEOUS COVER COMPONENTS (3)



FRAME & MISCELLANEOUS COVER COMPONENTS (3)

No.	Parts No.	Parts name	Remarks	Level	Cons	Qty
1	B1111215000	BED HINGE				2
2	B1115215000	BED HINGE RUBBER PAD				2
3	B2529232000	FEED ACROSS REGULATOR SHAFT				2
4	NM6100001SD	NUT M10				4
5	SM6107002TP	SCREW M10 L=70				4
6	SM8060812TP	SCREW M6 L=8				4
7	WP1052001SC	WASHER 10.5X21X2				8
8	WS1020002KN	SPRING WASHER M10				4
9	40024997	LIFTER_BASE				1
10	SM6061202TP	SCREW M6 L=12				2
11	WP0651001SC	WASHER				2
12	13816855	CYLINDER ARM CAP				1
13	13508700	HOOK COVER PRESSER SPRING PIN				1
14	26221200	HOOK COVER PRESSER SPRING B				1
15	26221101	HOOK COVER PRESSER SPRING A				1
16	SM5040855SN	SCREW				1
17	40090331	NEEDLE_PLATE_SUPPORT_COVER_ASM.				1
18	40051499	COVER_SUPPORT_BASE		*		2
19	40051502	COVER_BASE		*		2
20	40032174	NEEDLE_PLATE_SUPPORT_COVER		*		1
21	SM6450610TP	SCREW		*		18
22	WP0450801SP	WASHER		*		12
23	SM6040802TP	SCREW M4X0.7 L=8		*		12
24	WP0450801SP	WASHER		*		12
25	SL9061291SE	WASHER HEXAGONAL BOLT M6 L=12		*		8
26	40039547	COVER_SUPPORT_L		*		2
27	40039546	COVER_SUPPORT_R		*		2
28	B1132223C00	COVER BASE		*		2
29	40086367	COVER SUPPORT B		*		2
30	WP0612056SD	WASHER 6.1X18.5X2		*		8
31	SM1040650TP	SCREW				2
32	SM9050850SP	SCREW				2
33	WP0520656SA	WASHER 5.2X9.5X0.6				2
34	SL6061692TN	BOLT				10
35	SM6040650TP	SCREW				1
36	40006840	RUBBER BUSH				2
37	40033182	SAFETY_SW_ASM.				1
38	40033183	SAFETY_SW_BASE		*		1
39	23638109	SAFETY SWITCH ARM		*		1
40	40006497	SAFETY_SW_ARM_SHAFT		*		1
41	23638208	SAFETY SWITCH SPRING		*		1
42	23638406	SAFETY SWITCH NUT		*		1
43	SM4021201SC	SCREW M2 L=12		*		2
44	EA9500B0100	CABLE BAND		*		1
45	40029633	SAFETY SW CORD ASM.		*		1
46	SM4050855SP	SCREW				1
47	40040230	INT PCB ASM				1

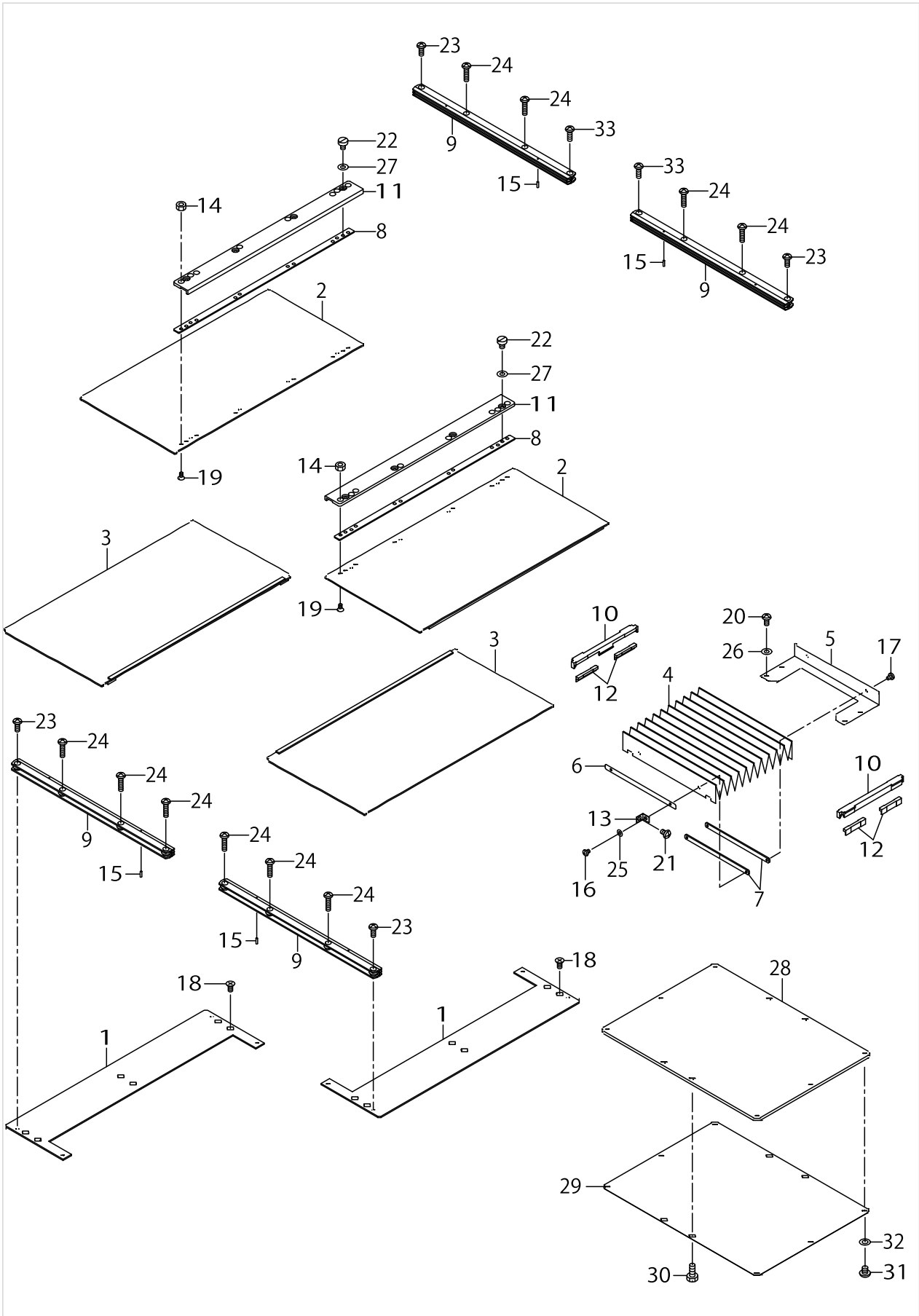
FRAME & MISCELLANEOUS COVER COMPONENTS (3)



FRAME & MISCELLANEOUS COVER COMPONENTS (3)

No.	Parts No.	Parts name	Remarks	Level	Cons	Qty
48	SL4040891SC	SCREW M4 L=8				4
49	HX003390000	STUD				4
50	B8267180000	RUBBER PLUG				2
51	40051501	TAPE				1
52	40057380	BED_COVER_LEFT_ASM.				1
53	40032161	BED_COVER_RIGHT				1
54	SL4041091SC	SCREW M4 L=10				9
55	B1116215000	FRAME SUPPORT				1
56	SM6061002TP	SCREW M6 L=10				4
57	40026829	GEAR_COVER_ASM.				1
58	40026830	GEAR_COVER		*		1
59	40026831	GEAR_COVER_FELT		*		1
60	SL4040681SC	COMBINATION SCREW M4X8				2
61	40006836	OIL TANK ASM.				1

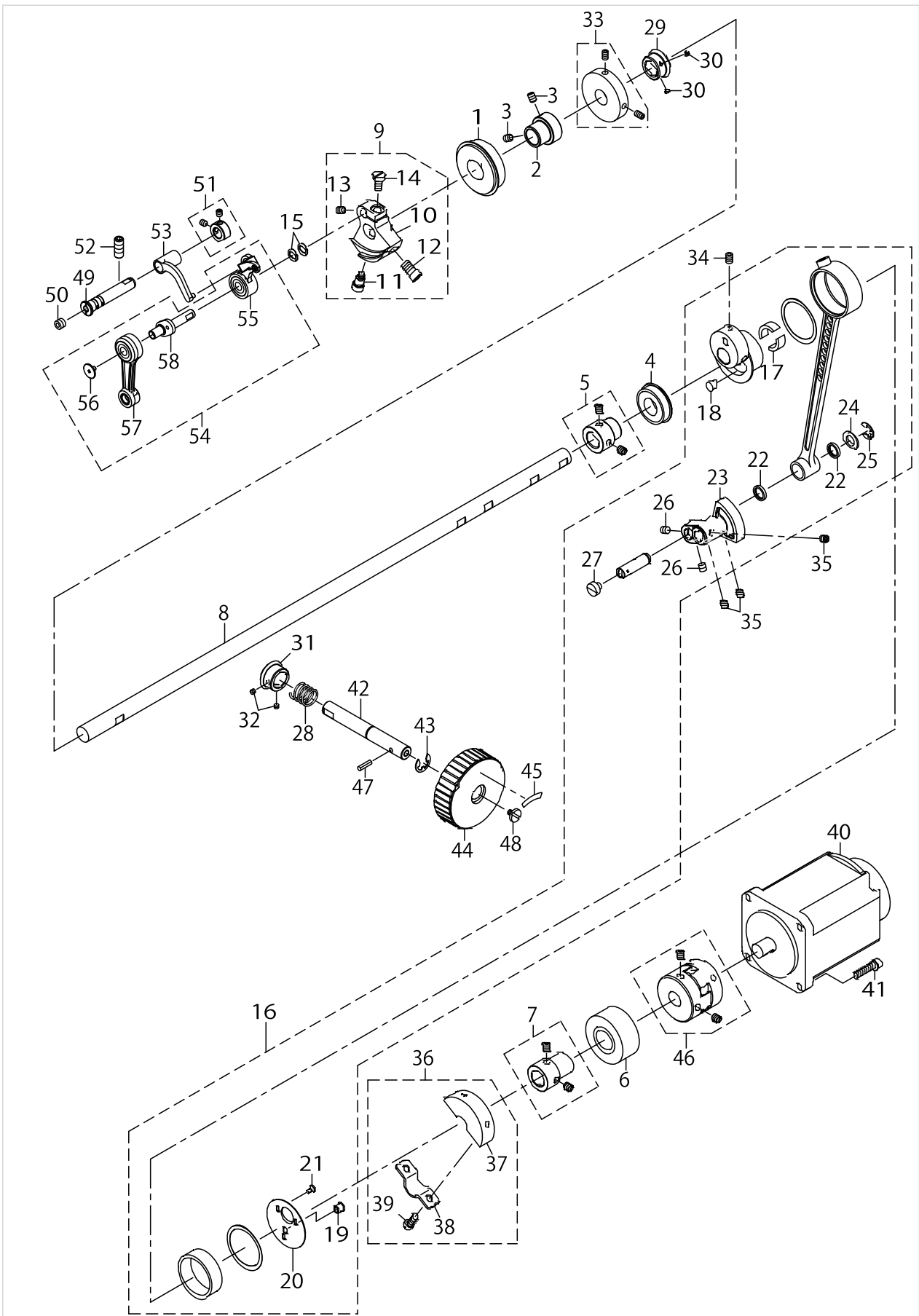
FRAME & MISCELLANEOUS COVER COMPONENTS (4)



FRAME & MISCELLANEOUS COVER COMPONENTS (4)

No.	Parts No.	Parts name	Remarks	Level	Cons	Qty
1	40032162	FEED_BASE_COVER				2
2	40032168	X_FEED_UPPER_COVER_ASM.				2
3	40032163	X_FEED_LOWER_COVER_ASM.				2
4	40035705	FEED COVER				1
5	40033186	FEED_COVER_STAY				1
6	B1155221D00	FEED COVER FIX PLATE				1
7	B1156221D00	FEED COVER FIX PLATE B				2
8	40032167	FEED_COVER_RALL_STOPPER_PLATE				2
9	B1181221D00	FEED BASE SUPPORT COVER RAIL X				4
10	B1182221D00	Y GUIDE RAIL BRACKET				2
11	B1183221D00	FEED BASE SUPPORT COVER RAIL Y				2
12	B1193221D00	Y GUIDE RAIL BUSH				4
13	B1157215000	MOVEMENT COVER PLATE				2
14	NM6030003SC	NUT M3				8
15	PS0150065KP	SPRING PIN 1.5X6				4
16	SM4030401SC	SCREW M3X0.5 L=4				2
17	SM7030450SC	SCREW M3X0.5 L=3.5				2
18	SM1040801SP	SCREW M4X0.7 L=8				6
19	SM1030601SP	SCREW M3 L=6				8
20	SM4040855SP	SCREW				4
21	SM4040655SP	SCREW M4 L=6				2
22	SM6040650TP	SCREW				8
23	SM4041055SP	SCREW				4
24	SM4041655SP	SCREW M4 L=16				10
25	WP0330501SB	WASHER M3				2
26	WP0450801SD	WASHER 4.5X10X0.8				4
27	WP0450801SD	WASHER 4.5X10X0.8				8
28	40032177	PRESSER_PLATE				1
29	40032178	PRESSER_PLATE_SHEET				1
30	SM9051203CP	SCREW M5 L=12				4
31	SM4050655SP	SCREW M5 L=6				6
32	WP0531000SD	WASHER M5				6
33	SM4041255SP	SCREW M4 L=12				2

MAIN SHAFT & THREAD TAKE UP LEVER COMPONENTS

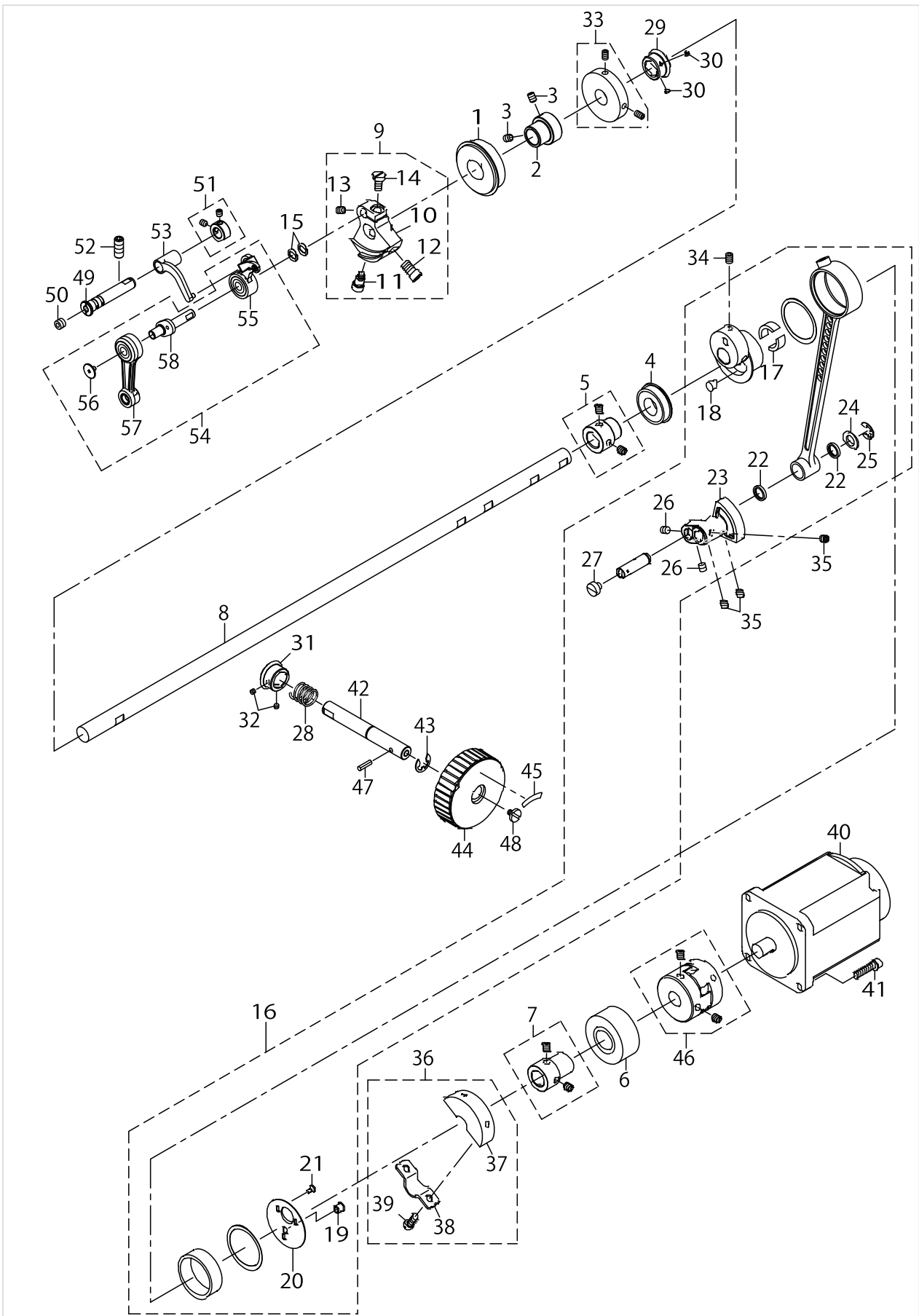


MAIN SHAFT & THREAD TAKE UP LEVER COMPONENTS

No.	Parts No.	Parts name	Remarks	Level	Cons	Qty
1	SB12000900	BEARING				1
2	40140214	BEARING_BUSH				1
3	SM8060812TP	SCREW M6 L=8				2
4	SB120001800	BEARING				1
5	40010415	BEARING_BUSH_A_ASM.				1
6	SB120001700	BEARING				1
7	40010418	BEARING_BUSH_B_ASM.				1
8	40140213	MAIN_SHAFT				1
9	40010422	COUNTER_WEIGHT_ASM.				1
10	40010423	COUNTER_WEIGHT		*		1
11	40010424	COUNTER_WEIGHT_SCREW_A		*		1
12	40010425	COUNTER_WEIGHT_SCREW_B		*		1
13	40010426	COUNTER_WEIGHT_SCREW_C		*		1
14	40010427	COUNTER_WEIGHT_SCREW_D		*		1
15	WP0820516SP	WASHER 11.6X8.2X0.6				2
16	40089367	CRANK_ROD_ALL_ASM.				1
17	40006555	UNDER CAM FELT		*		2
18	TA0670604R0	PLUG D=6.7 L=6		*		1
19	TA0670604R0	PLUG D=6.7 L=6		*		1
20	40010421	CRANK_ROD_SUPPORT_PLATE		*		1
21	SM1030601SP	SCREW M3 L=6		*		3
22	10108009	OIL SEAL		*		2
23	40006561	OSCILLATOR		*		1
24	40026818	WASHER		*		1
25	RE0800000K0	E-SHAPED SNAP RING (8MM)		*		1
26	SM8480652TP	SCREW		*		2
27	SM6060550TP	SCREW M6 L=4.5		*		1
28	GAF01007000	SPRING				1
29	40006515	GEAR_A				1
30	SM8040310SS	SCREW M4 L=3				2
31	40006516	GEAR_B				1
32	SM8040310SS	SCREW M4 L=3				2
33	40010533	BTW_DRIVING_WHEEL_ASM.				1
34	SM8060812TP	SCREW M6 L=8				2
35	SM8480652TP	SCREW				3
36	40010437	CRANK_BALANCER_ASM.				1
37	40010438	CRANK_BALANCER		*		1
38	40010439	CRANK_BALANCER_FIX_PLATE		*		1
39	40010440	CRANK_BALANCER_FIX_PLATE_SCREW		*		2
40	40052937	550W_SERVO_MOTOR				1
41	SL6052592TN	BOLT				4
42	40140332	PULLY_SHAFT				1
43	RE1000000K0	E-RING 10				1
44	B1212210D00	PULLEY				1
45	B1144210000	REVOLVING DIRECTION LABEL				1
46	40051473	COUPLING_ASM.				1
47	PS0400142KH	SPRING PIN 4X14				1



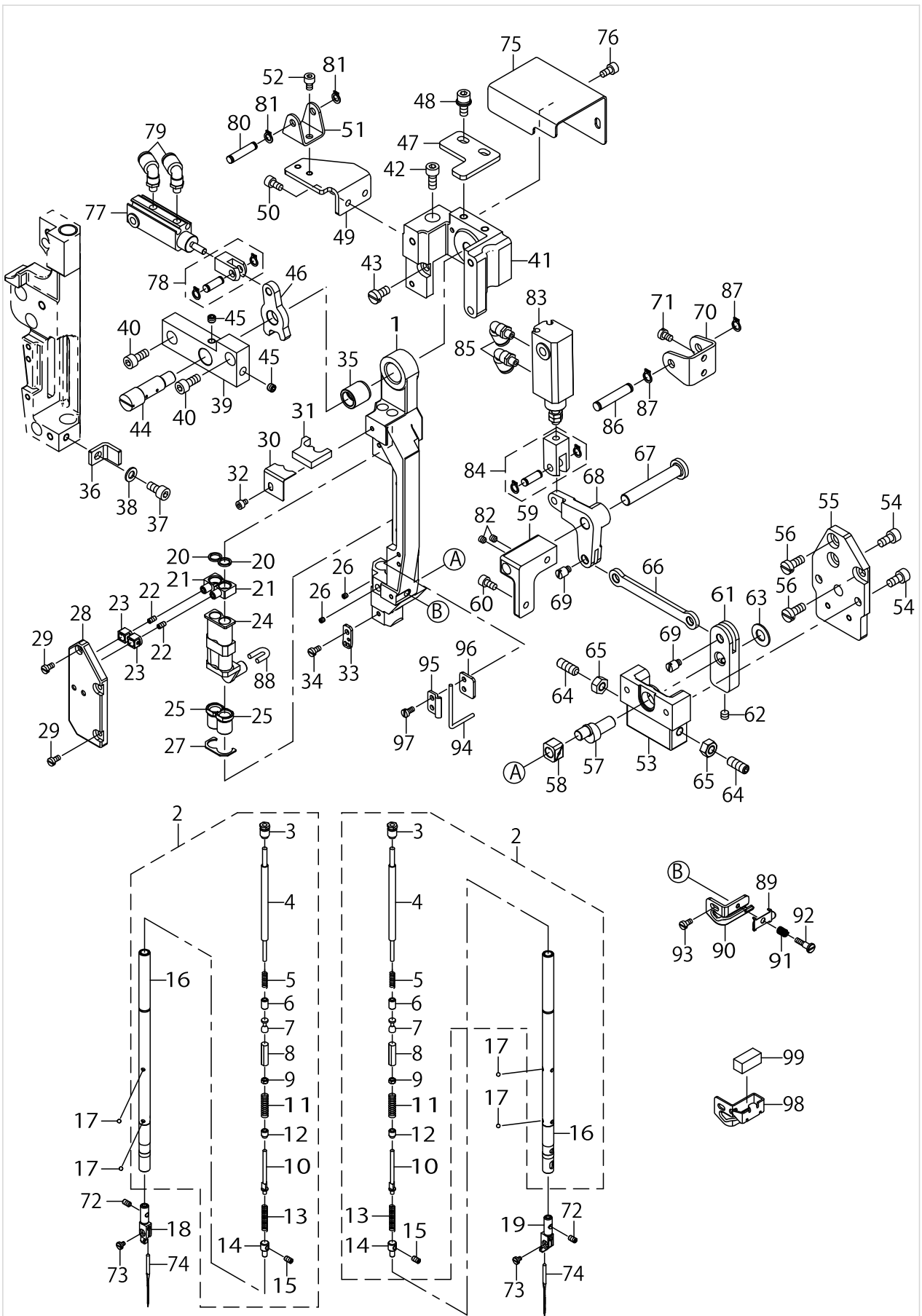
# MAIN SHAFT & THREAD TAKE UP LEVER COMPONENTS



MAIN SHAFT & THREAD TAKE UP LEVER COMPONENTS

No.	Parts No.	Parts name	Remarks	Level	Cons	Qty
48	A1230500000A	HANDWHEEL SETSCREW				1
49	40112861	THREAD_TAKE_UP_CRANK_SHAFT_D				1
50	SM80606A2TP	SCREW M6 L=6				1
51	40110841	THRUST_COLLAR_ASM.				1
52	SM8082002TP	SCREW M8 L=20				1
53	40006532	THREAD_TAKE_UP_CRANK				1
54	40140324	THREAD_TAKE_UP_LEVER_ASM.				1
55	40140328	THREAD_TAKE_UP_LEVER_COMPL.		*		1
56	22918304	LEFT SCREW		*		1
57	40140218	NEEDLE_BAR_CRANK_ROD_COMP		*		1
58	40140336	NEEDLE_ROD_CRANK		*		1

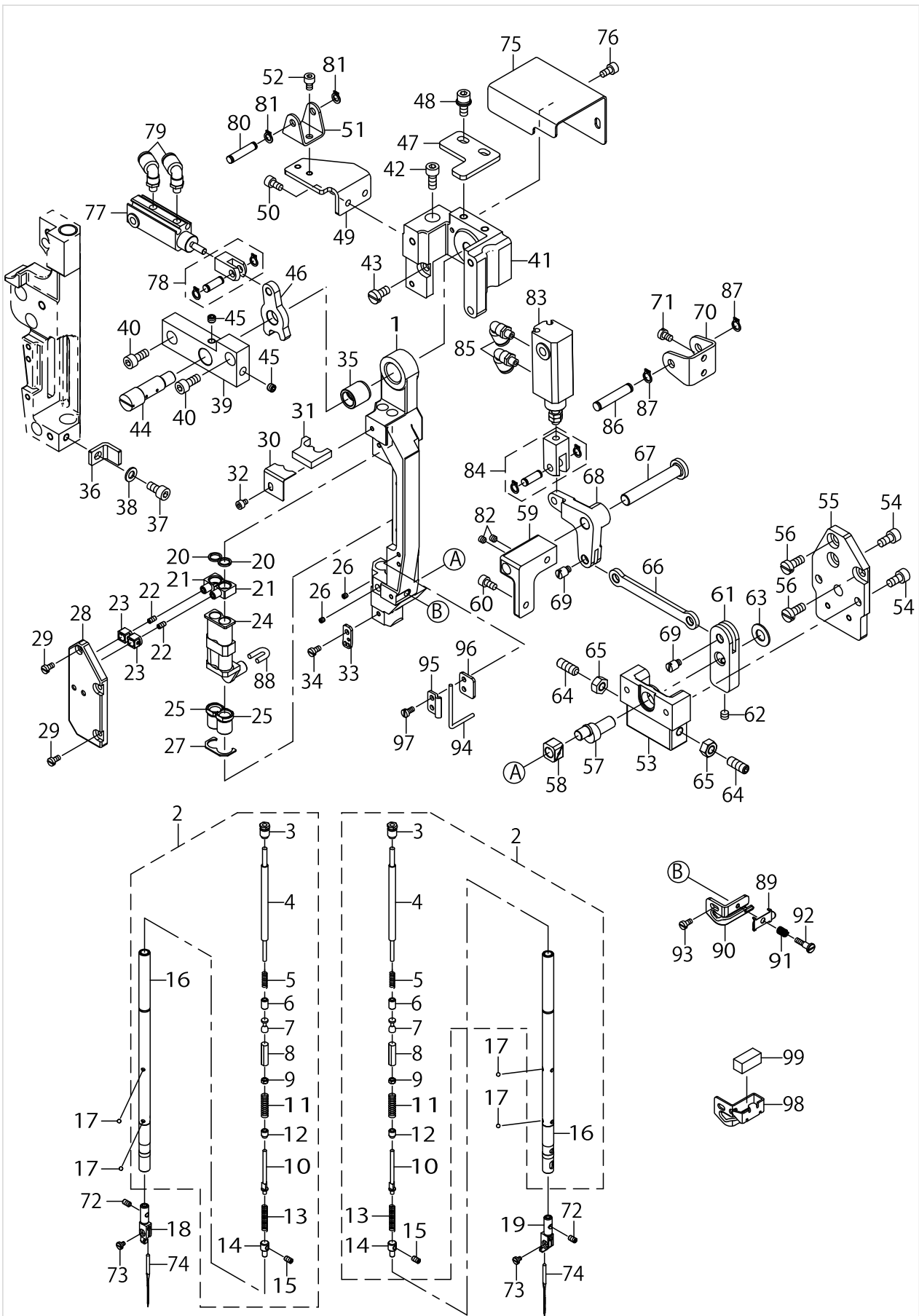
# NEEDLE BAR COMPONENTS



NEEDLE BAR COMPONENTS

No.	Parts No.	Parts name	Remarks	Level	Cons	Qty
1	40140215	NEEDLE_BAR_FRAME				1
2	40140329	NEEDLE_BAR_ASM.				2
3	40140219	PLUG SCREW		*		1
4	40140221	PRESS BAR		*		1
5	B1406526000	SPRING		*		1
6	B1407526000	PRESS BAR SLEEVE		*		1
7	10232502	SLIDE SHAFT		*		1
8	40140222	ADJUSTING SCREW		*		1
9	NS6060220SH	HEXAGONAL NUT 3/32-56		*		1
10	B1412526000	ADJUSTING SLIDE STUD		*		1
11	B1413526000	ADJUSTING SLIDE STUD SPRING		*		1
12	B1414526000	ADJUSTING SHAFT SLEEVE		*		1
13	B1415526000	SPRING		*		1
14	G1403117000	ANCHOR		*		1
15	B1425526000	SCREW 1/8-44 L=6		*		1
16	40140220	NEEDLE BAR		*		1
17	B1410526000	BALL				12
18	40140223	NEEDLE_CLAMP_LEFT				1
19	40140224	NEEDLE_CLAMP_RIGHT				1
20	B1417526000	HALF RING				4
21	40140225	NEEDLE BAR FIXED PIN				2
22	SM8030612TP	SCREW				2
23	40140247	SQUARE_BLOCK				2
24	40140334	NEEDLE_BAR_BRACKET				1
25	40140226	NEEDLE BAR LOWER BUSHING				2
26	SM8030312TP	SCREW M3 L=3				2
27	40140227	THRUST PLATE A				1
28	40140246	NEEDLE_BAR_GUIDE				1
29	SM6030600SP	SCREW				3
30	40140321	FELT_SUPPORT				1
31	40140322	FELT				1
32	SM6030402TP	SCREW M3X0.5 L=4				1
33	40140259	THREAD_GUIDE				1
34	SM6030450TP	SCREW M3 L=4				1
35	40140216	NEEDLE_BAR_FRAME_METAL				1
36	40140217	NEEDLE BAR FRAME GUIDE				1
37	SM6051002TP	SCREW M5X0.8 L=10				1
38	WP0531001SD	WASHER				1
39	40140237	FRAME_SHAFT_BRACKET_B				1
40	SM6051202TP	SCREW				2
41	40141959	FRAME_SHAFT_BRACKET				1
42	SM6051202TP	SCREW M5X0.8 L=12				1
43	SM6051000SP	SCREW				1
44	40140241	NEEDLE_BAR_FRAME_SHAFT				1
45	SM8050412TP	SCREW M5 L=4				2
46	40140239	CHANGE_LEVER				1
47	40140240	STOPPER				1

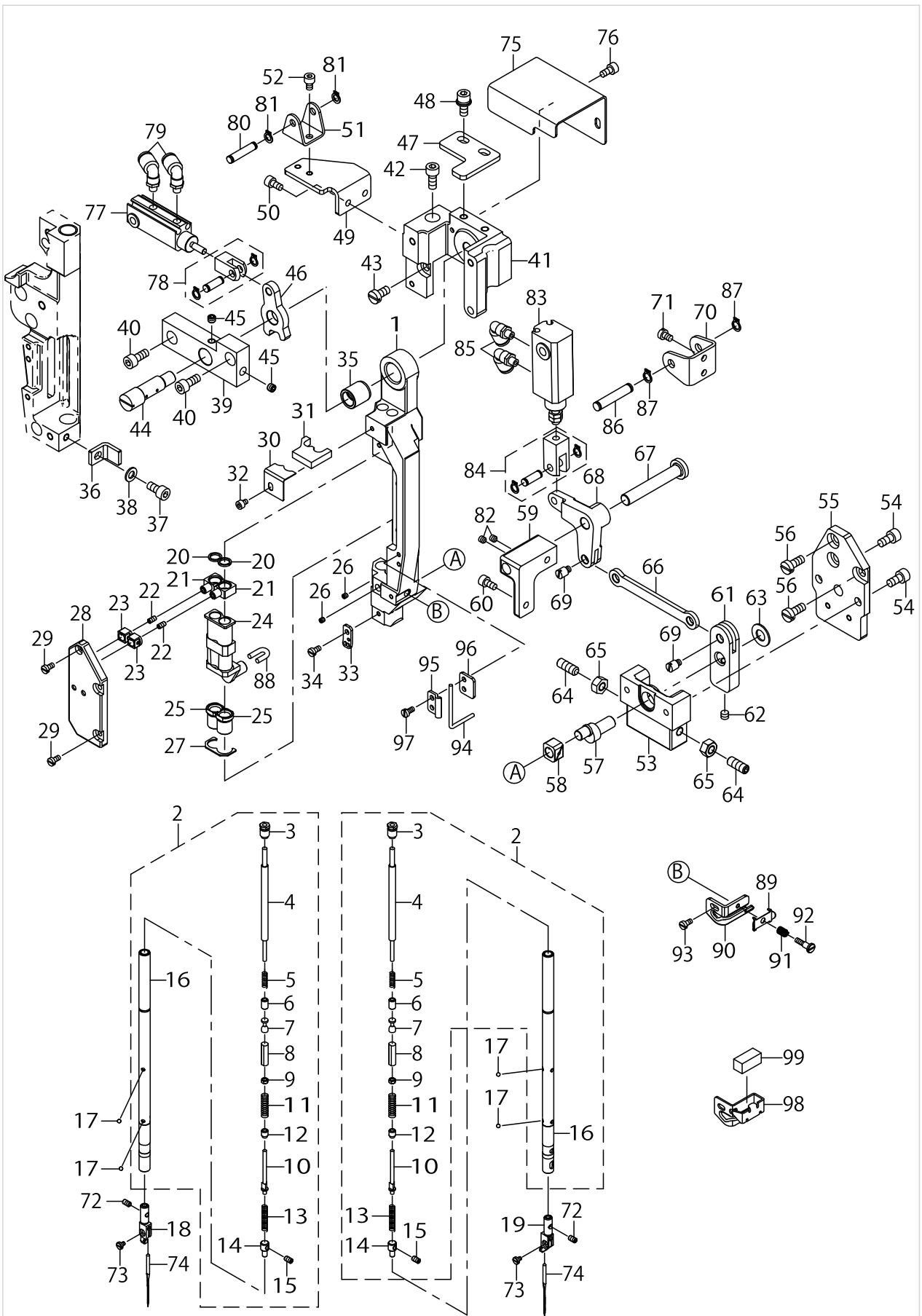
# NEEDLE BAR COMPONENTS



NEEDLE BAR COMPONENTS

No.	Parts No.	Parts name	Remarks	Level	Cons	Qty
48	SL6051092TN	SCREW M5 L=10				2
49	40140242	CYLINDER_A_BRACKET_1				1
50	SM6040802TP	SCREW M4X0.7 L=8				2
51	40140243	CYLINDER_A_BRACKET_2				1
52	SM6040602TP	SCREW M4X0.7 L=6				2
53	40140249	CRANK_BASE				1
54	SM6051002TP	SCREW M5X0.8 L=10				2
55	40140248	CRANK_PIN_BASE_B				1
56	SM6051200TP	SCREW				3
57	40140251	CRANK_PIN				1
58	40140252	SQUARE_BLOCK				1
59	40140257	SUPPORT_BLOCK				1
60	SM6040802TP	SCREW M4X0.7 L=8				2
61	40140250	CRANK_PIN_BRACKET				1
62	SM8050412TP	SCREW M5 L=4				1
63	B1223771000	NEEDLE ROD CRANK WASHER				1
64	SM8061612TP	SCREW M6X16				2
65	NM6060001SC	NUT M6X1 TYPE1				2
66	40140253	CRANK_PIN_LINK				1
67	40140256	CRANK_PIN				1
68	40140255	CRANK				1
69	40140254	LINK_PIN				2
70	40140258	CYLINDER_B_BRACKET				1
71	SM6040600SP	SCREW M4 L=6				2
72	B1425526000	SCREW 1/8-44 L=6				2
73	SS6060410TP	SCREW 3/32-56 L=3.5			☆	2
74	MDP170B1800	NEEDLE DPX17 #18			☆	2
75	40140204	CYLINDER_COVER				1
76	SM6040802TP	SCREW M4X0.7 L=8				2
77	PA1001016A0	AIR CYLINDER (10-10ST)				1
78	PA900034000	2 CROWN KNUCKLE JOINT				1
79	PJ304040504	UNION				2
80	PA900033000	TRUNION PIN				1
81	RC0470611KP	C-RING 5 (4.7)				2
82	SM8040412TP	SCREW M4X4				2
83	PA1601017A0	AIR CYLINDER				1
84	PX500020000	KNUCKLE JOINT				1
85	PJ304040504	UNION				2
86	PA900078000	TRUNION PIN				1
87	RC0560711KP	C-RING 6 (5.6)				2
88	CQ303000000	OIL WICK				0.02
89	40042716	THREAD_PRESSER_PLATE				1
90	40141946	THREAD_GUIDE				1
91	B1132521000	THREAD PRESSER PLATE SPRING				1
92	SD0380556TL	SHOULDER SCREW D=3.8 H=5.5				1
93	SM6030600SP	SCREW				1
94	40140289	THREAD CLAMP B				1

# NEEDLE BAR COMPONENTS

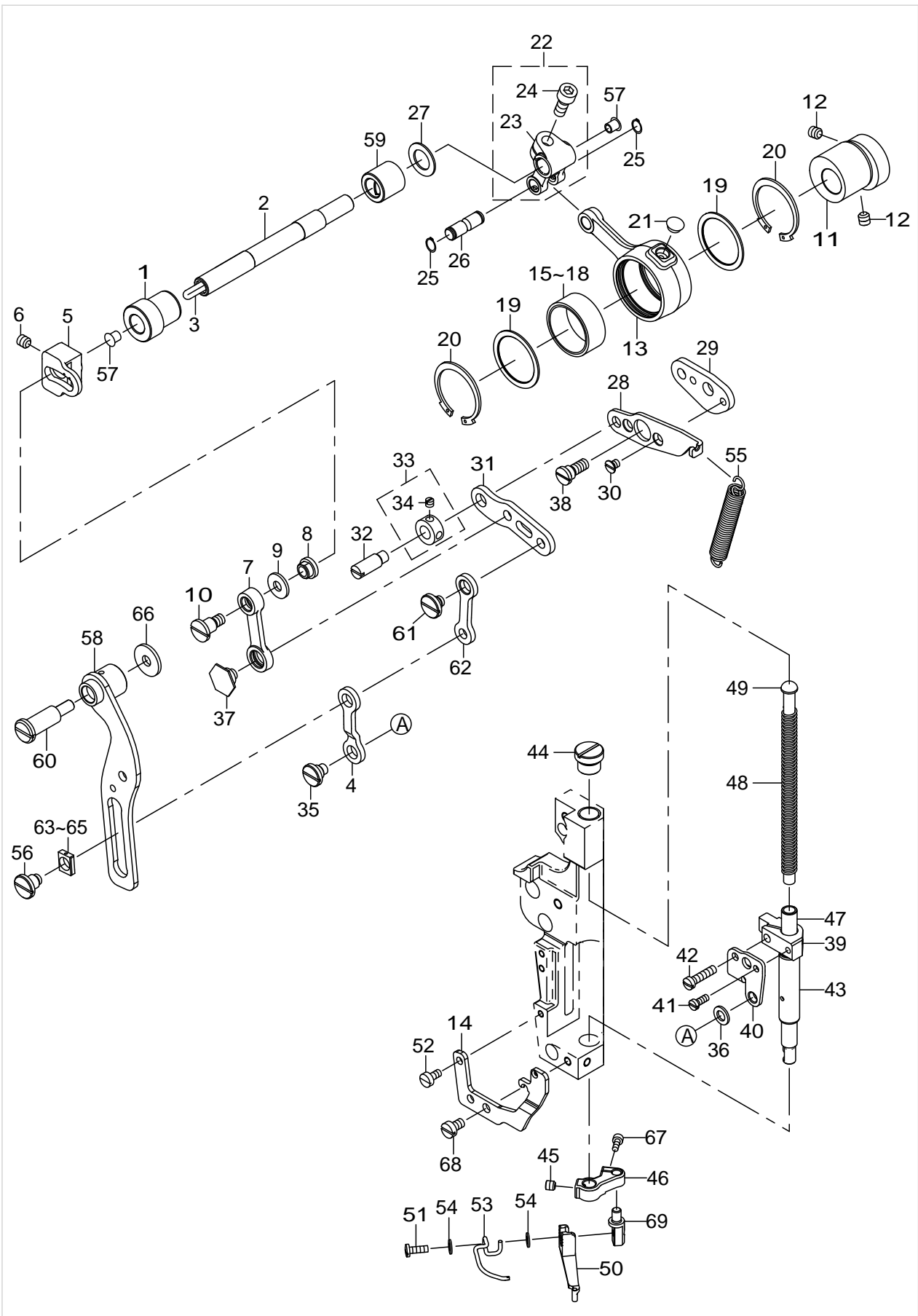


## NEEDLE BAR COMPONENTS

No.	Parts No.	Parts name	Remarks	Level	Cons	Qty
95	40140309	TREAD_CLAMP_FIXED_PLATE_A				1
96	40140310	TREAD_CLAMP_FIXED_PLATE_B				1
97	SM6030600SP	SCREW M3X0.5 L=6				2
98	40141947	FELT_THREAD_GUIDE	OPTIONAL PARTS			1
99	B1131528000	FELT	OPTIONAL PARTS		☆	1



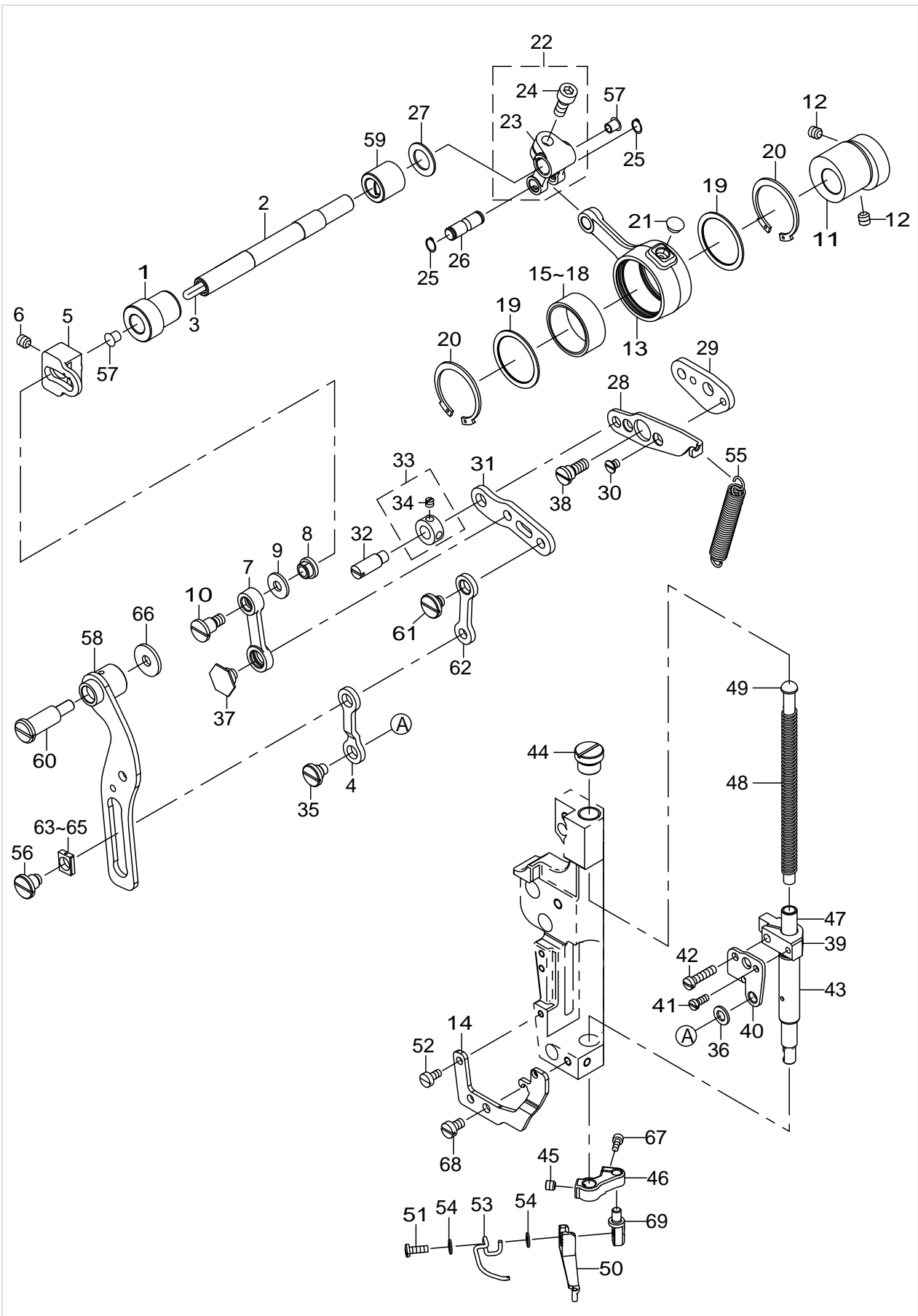
PRESSER MECHANISM & PRESSER VARIABLE COMPONENTS (1)



PRESSER MECHANISM & PRESSER VARIABLE COMPONENTS (1)

No.	Parts No.	Parts name	Remarks	Level	Cons	Qty
1	40140208	BUSHING				1
2	40140263	INTERMEDIATE_PRESSER_SHAFT				1
3	CQ303000000	OIL WICK				0.1
4	40030617	INTERMEDIATE_PRESSER_LINK_D				1
5	40025012	ADJUSTING_ARM				1
6	SM8060812TP	SCREW M6 L=8				1
7	40068835	INTERMEDIATE_PRESSURE_LINK				1
8	40025415	ADJUSTING_NUT				1
9	WP0611626SP	WASHER 15X6X1.6				1
10	SD0800746TP	SHOULDER SCREW				1
11	40025428	ECCENTRIC_CAM				1
12	SM8060812TP	SCREW M6 L=8				2
13	40025011	CRANK_CONNECTING_ROD				1
14	40140274	SPRING_HOOK				1
15	B1636581A00	NEEDLE BEARING A	SELECTIVE PARTS			1
16	B1636581B00	NEEDLE BEARING B	SELECTIVE PARTS			1
17	B1636581C00	NEEDLE BEARING	SELECTIVE PARTS			1
18	B1636581D00	NEEDLE BEARING	SELECTIVE PARTS			1
19	40012965	BEARING_SUPPORT_PLATE				2
20	RC3781518KP	RETAINING RING				2
21	TA0750404R0	PLUG D=7.5 L=3.5				1
22	13122452	FEED BRANCH CRANK ASM.				1
23	13122403	FEED BRANCH CRANK		*		1
24	SM6061402TP	SCREW M6 L=14		*		1
25	RC0650811KP	RETAINING RING				2
26	40025429	ROD_CONNECTING_SHAFT				1
27	WP1221016SP	WASHER				1
28	40068834	POSITIONING_LINK				1
29	40024988	POSITIONING_LINK_B				1
30	SS1110640TP	SCREW 11/64-40 L= 5.5				2
31	40030620	INTERMEDIATE_PRESSER_LINK_B				1
32	B1408180000	HINGE SCREW				1
33	CS079073ASH	THRUST COLLAR ASM.				1
34	SS8110410TP	SCREW 11/64-40 L=3.5		*		2
35	SD0800386TP	SHOULDER SCREW D=8 H=3.75				1
36	40029419	LINK_CONNECTING_PLATE_WASHER				1
37	SD1000506TP	SHOULDER SCREW D=10 H=4.95				1
38	SD0800408TP	SHOULDER SCREW				1
39	40140275	PRESSER_BAR_GUIDE_BRACKET				1
40	40024991	LINK_CONNECTING_PLATE				1
41	SS6090910SP	SCREW 9/64-40 L=9				1
42	SS7111810TP	SCREW 11/64-40 L=18				1
43	40078133	PRESSER_BUSHING				1
44	40140268	PRESSER_SCREW				1
45	SM8050512TP	SCREW				1
46	40140267	INTERMEDIATE_PRESSER_ARM				1
47	40140265	INTERMEDIATE_PRESSER_BAR				1

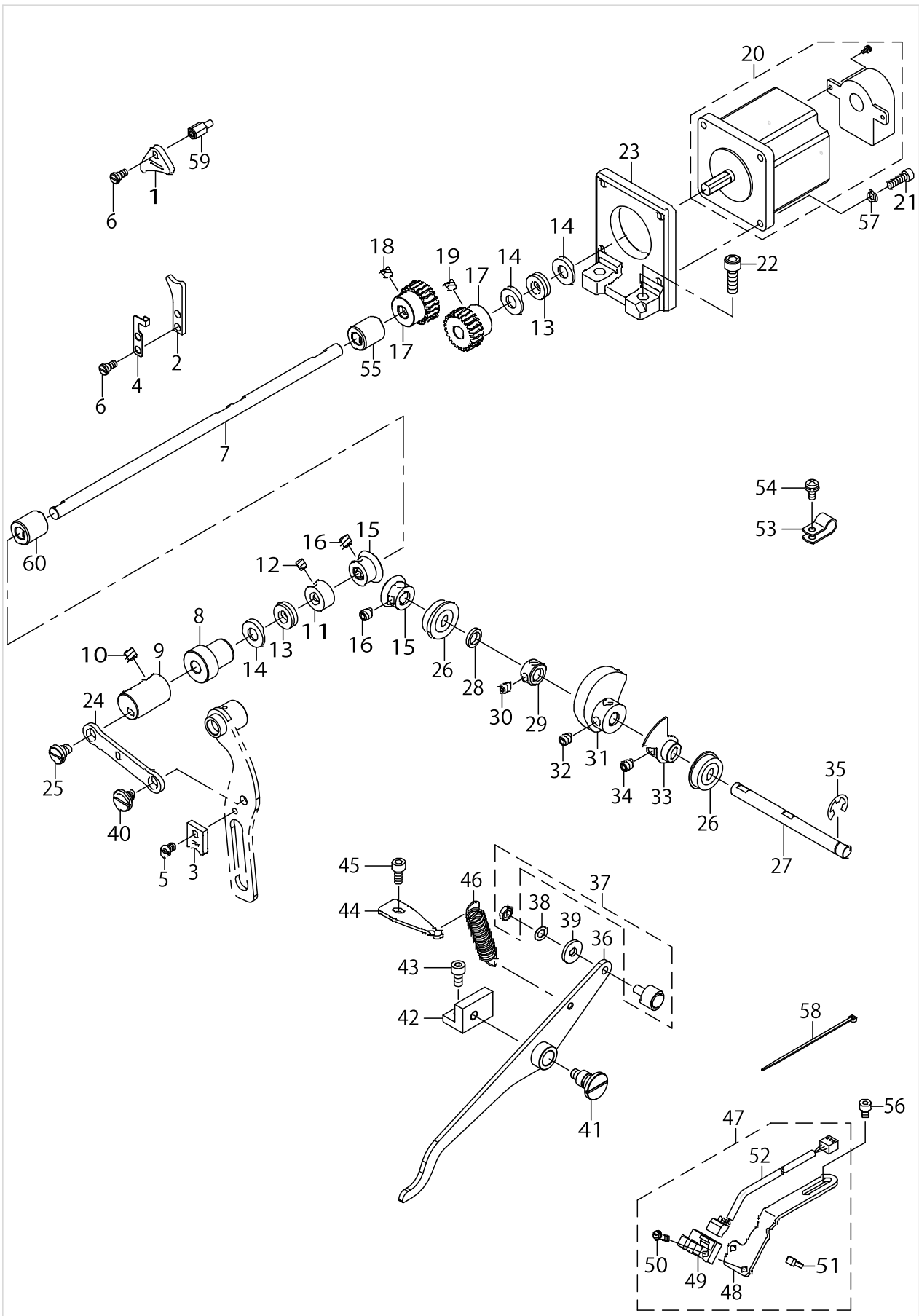
PRESSER MECHANISM & PRESSER VARIABLE COMPONENTS (1)



PRESSER MECHANISM & PRESSER VARIABLE COMPONENTS (1)

No.	Parts No.	Parts name	Remarks	Level	Cons	Qty
48	B161121000A	INNER PRESSER SPRING				1
49	40023631	PRESSER GUIDE BAR				1
50	40140277	INNER_PRESSER_W			☆	1
51	SM7751160TP	SCREW				1
52	SM6040800SP	SCREW				1
53	B1634210D00	FINGER GUARD				1
54	WP0450846SP	WASHER				2
55	40030621	INTERMEDIATE_PRESSER_SPRING B				1
56	SD0800656TP	SHOULDER SCREW				1
57	TA0550604R0	RUBBER PLUG				2
58	40140205	PRESSURE_VARIABLE_PLATE_ASM.				1
59	40025431	BUSHING				1
60	SD1002206TP	SHOULDER SCREW				1
61	SD0800336TP	SHOULDER SCREW				1
62	40030616	INTERMEDIATE_PRESSER_LINK_C				1
63	40030628	SLIDE_BLOCK_A	SELECTIVE PARTS			1
64	40030629	SLIDE_BLOCK_B	SELECTIVE PARTS			1
65	40030630	SLIDE_BLOCK_C	SELECTIVE PARTS			1
66	40068832	WASHER				1
67	SM6030802TP	SCREW M3X0.5 L=8				1
68	SM6050800SP	SCREW				1
69	40140266	INTERMEDIATE_PRESSER_PIN				1

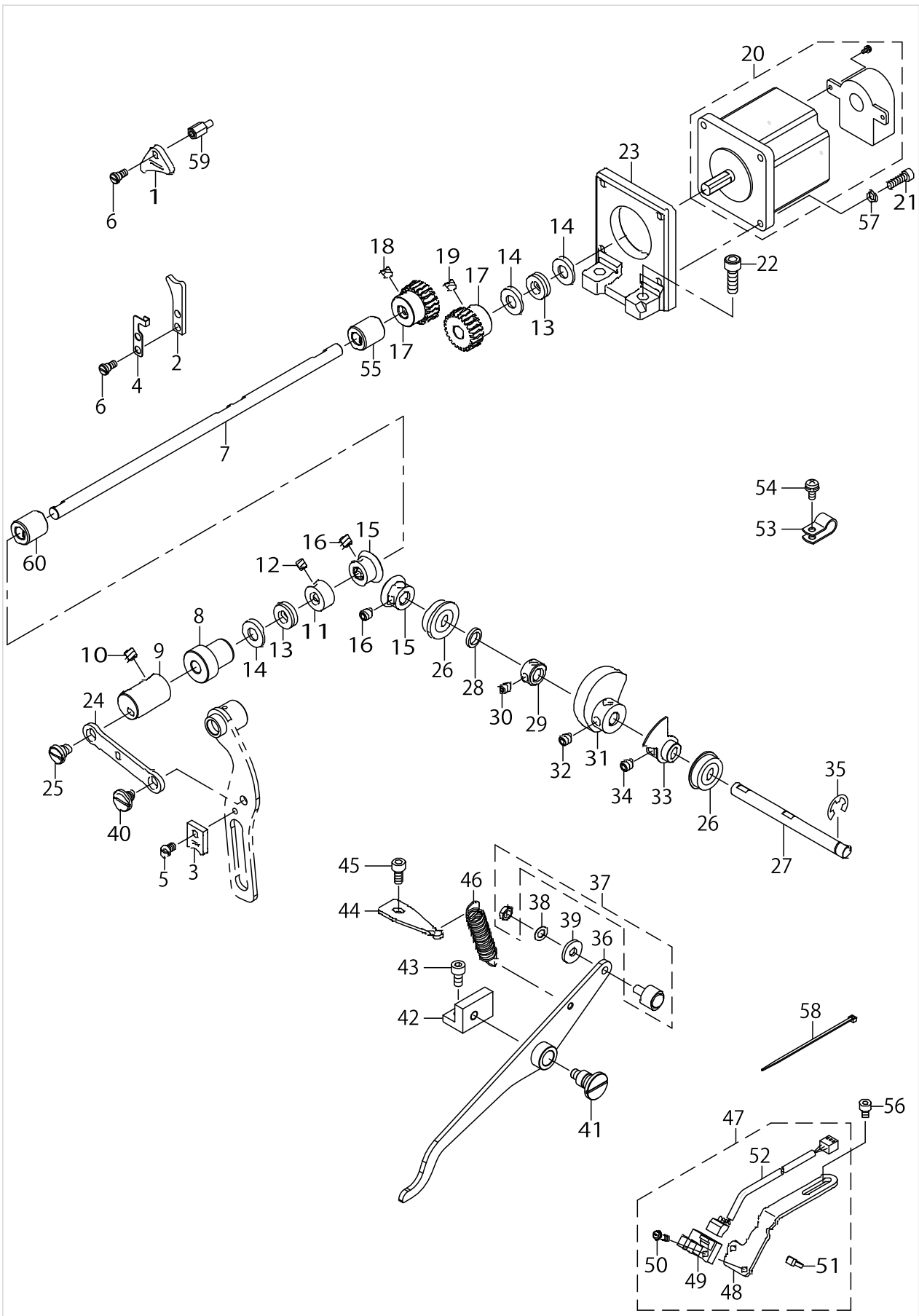
PRESSER MECHANISM & PRESSER VARIABLE COMPONENTS (2)



PRESSER MECHANISM & PRESSER VARIABLE COMPONENTS (2)

No.	Parts No.	Parts name	Remarks	Level	Cons	Qty
1	40030625	FACE_FELT_A				1
2	40030626	FACE_FELT_B				1
3	40030627	FACE_FELT_C				1
4	40026817	FACE_FELT_B_SUPPORT				1
5	40029420	FELT_SCREW_C				1
6	40032483	FELT_SCREW_AB				3
7	40140262	PRESSER_VARIABLE_SHAFT				1
8	40140210	BUSHING_B				1
9	40026819	PRESSER_VARIABLE_ARM				1
10	SM8480652TP	SCREW				2
11	CS0800881TP	THRUST COLLAR				1
12	SM8050412TP	SCREW M5 L=4				2
13	SB408000100	BEARING				2
14	WP0850002SP	WASHER 8.5X18X1.6				3
15	40030615	PRESSER_LIFT_GEAR				2
16	SM8060812TP	SCREW M6 L=8				4
17	40032180	PRESSER_MOTOR_GEAR_A				2
18	SM8060812TP	SCREW M6 L=8				2
19	SM8060602TP	SCREW M6X6				2
20	40102213	ENCODER MOTOR ASM.				1
21	SM6041402TP	SCREW M4 L=14				4
22	SM6061802TP	SCREW M6 L=18				2
23	40032181	PRESSER_MOTOR_BRACKET				1
24	40024989	PRESSER_VARIABLE_LINK				1
25	SD0800337TP	SHOULDER SCREW				1
26	SB108000500	RADIAL BEARING				2
27	40025426	PRESSER_LIFT_SHAFT				1
28	WZ0850302K0	WAVED WASHER 8.5X12.5X0.3				1
29	CS0800881TP	THRUST COLLAR				1
30	SM8050412TP	SCREW M5 L=4				2
31	40025016	LIFTING_CAM				1
32	SM8060812TP	SCREW M6 L=8				2
33	40025418	SENSOR_SLIT_ASM.				1
34	SM8060812TP	SCREW M6 L=8				2
35	RE0700000K0	E-RING 7				1
36	40140312	LIFTING_LINK_ASM.				1
37	40027870	CAM FOLLOWER				1
38	WP0520656SA	WASHER 5.2X9.5X0.6				1
39	WP0522016SH	WASHER				1
40	SD0800387TP	SHOULDER SCREW D=8 H=3.75				1
41	40026113	HINGE_SCREW_A				1
42	40140273	BLOCK				1
43	SM6051002TP	SCREW M5X0.8 L=10				2
44	40025420	LIFTER_LINK_SPRING_HOOK				1
45	SM6050802TP	SCREW M5X0.8 L=8				1
46	40003970	TENSION RELEASE RETURN				1
47	40073081	SENSER_INSTALLING_BASEASM.				1

PRESSER MECHANISM & PRESSER VARIABLE COMPONENTS (2)

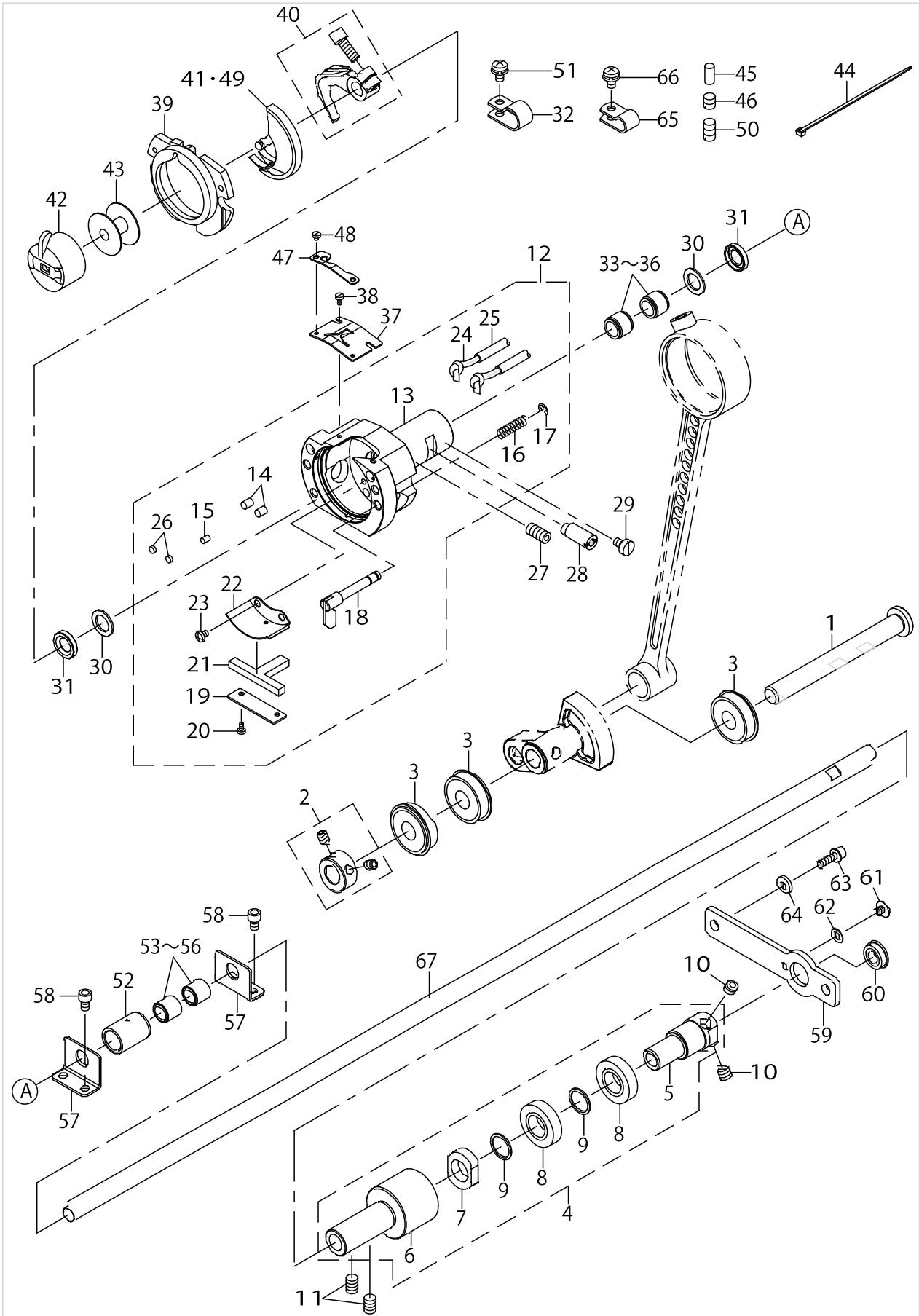


PRESSER MECHANISM & PRESSER VARIABLE COMPONENTS (2)

No.	Parts No.	Parts name	Remarks	Level	Cons	Qty
48	40025419	SENSOR_INSTALLING_BASE		*		1
49	HD00057000A	PHOTO SENSOR		*		1
50	SL4031091SC	SCREW M3X10		*		1
51	EA9500B0100	CABLE BAND		*		2
52	40040240	IP SENSOR CABLE ASM.		*		1
53	HX00150000D	CABLE CLIP				2
54	SL4040891SC	SCREW M4 L=8				2
55	40043321	BUSHING_C				1
56	SM6040602TP	SCREW M4 L=6				2
57	WP0450846SP	WASHER				4
58	EA9500B0100	CABLE BAND				1
59	D5124206K0K	SPACER				1
60	40025423	BUSHING B				1



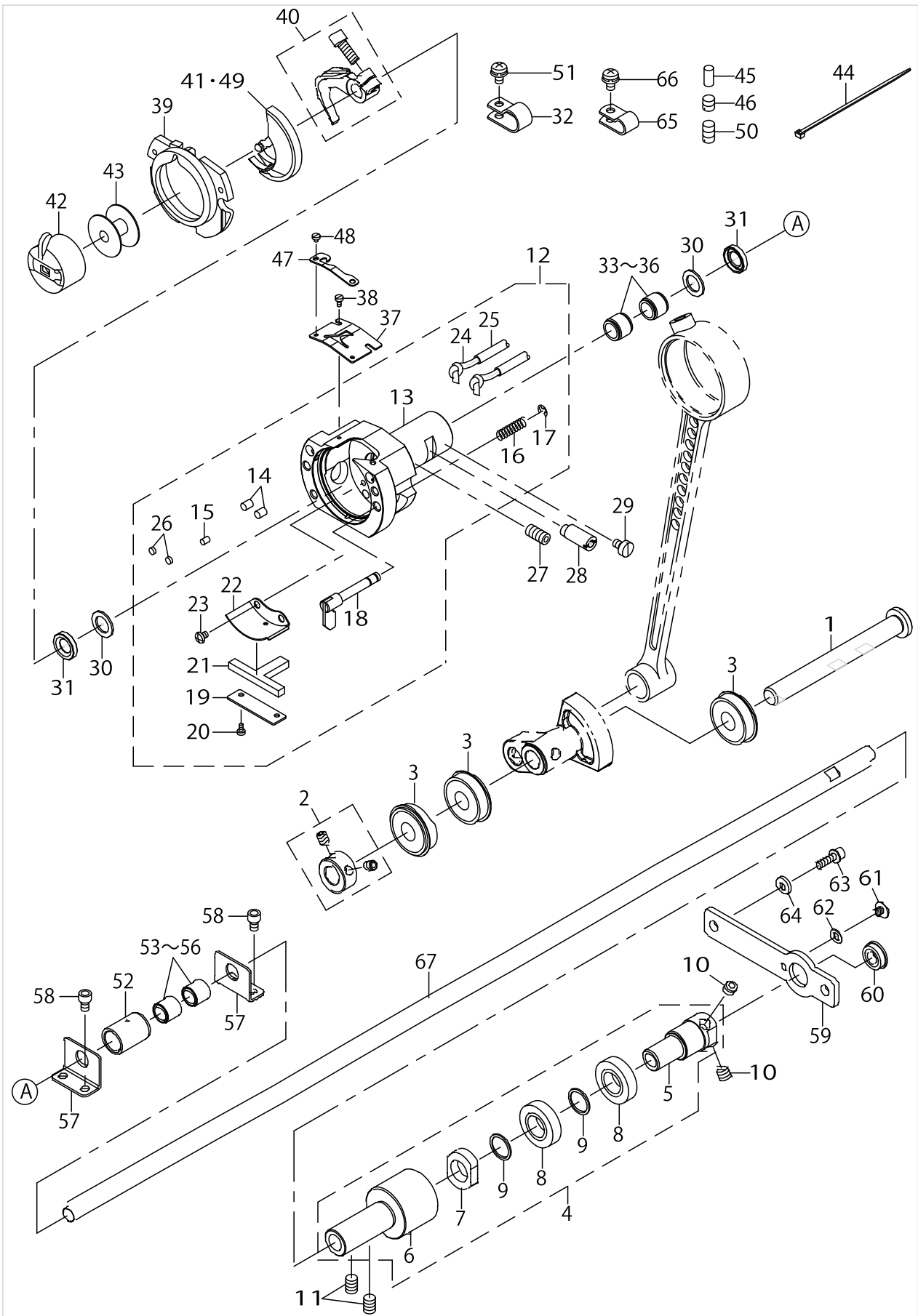
SHUTTLE DRIVER SHAFT COMPONENTS



SHUTTLE DRIVER SHAFT COMPONENTS

No.	Parts No.	Parts name	Remarks	Level	Cons	Qty
1	40043869	OSCILLATOR_SHAFT				1
2	40010464	THRUST_COLLAR_ASM.				1
3	SB110002400	BEARING				3
4	40072009	LOWEW_SHAFT_GEAR_ASM.				1
5	40006567	LOWER_SHAFT_GEAR		*		1
6	40006569	LOWER_SHAFT_REAR_METAL		*		1
7	40024063	NUT		*		1
8	SB112001700	BEARING		*		2
9	40006317	LOWER SHAFT GEAR RING		*		2
10	SM8060812TP	SCREW M6 L=8				2
11	SM8060812TP	SCREW M6 L=8				2
12	40034846	SHUTTLE_ASM.				1
13	40089365	SHUTTLE		*		1
14	B1820210D00	SHUTTLE OIL FELT A		*	☆	2
15	B1821210D00	SHUTTLE OIL FELT B		*	☆	1
16	B1822215P00	INNER HOOK PRESSER SPRING		*		2
17	RE0300000K0	E-RING 3		*		2
18	26501858	INNER-HOOK-PRESSER COMPL.		*		2
19	14104004	ONCE THROUGH OIL FELT PRESSER		*		1
20	SM6020460TP	SCREW		*		2
21	14103907	SHUTTLE ONCE THROUGH OIL FELT		*		1
22	40006577	SHUTTLE_LUBRICATING_PLATE		*		1
23	SM4030455SP	SCREW		*		2
24	CQ200000000	OIL WICK		*		5.7
25	23630007	TUBE		*		2.22
26	13529607	SHUTTLE PACKING		*		2
27	SM8061212TP	SCREW M6X12				1
28	40010471	SHUTTLE_RACE_ADJUSTING_SHAFT				1
29	SM6040650TP	SCREW				1
30	40010472	SHUTTLE_BEARING_RING				2
31	40006576	SHUTTLE_OIL_SEAL				2
32	HX00150000D	CABLE CLIP				1
33	SB30800100A	BEARING	SELECTIVE PARTS			2
34	SB30800100B	BEARING	SELECTIVE PARTS			2
35	SB30800100C	BEARING	SELECTIVE PARTS			2
36	SB30800100D	BEARING	SELECTIVE PARTS			2
37	40036117	SHUTTLE UPPER SPRING				1
38	SM6020460TP	SCREW				2
39	14103352	INNER HOOK PRESSER ASM. B				1
40	40014963	SHUTTLE DRIVER ASM.				1
41	40061991	SHUTTLE(H)			☆	1
42	B1828210DAA	BOBBIN CASE ASM.			☆	1
43	B1806210D00	BOBBIN			☆	1
44	EA9500B0100	CABLE BAND				2
45	40006578	OIL_WICK_PRESSER				1
46	SM8060610TP	SCREW				1
47	40036118	LOWER THREAD HOLDER			☆	1

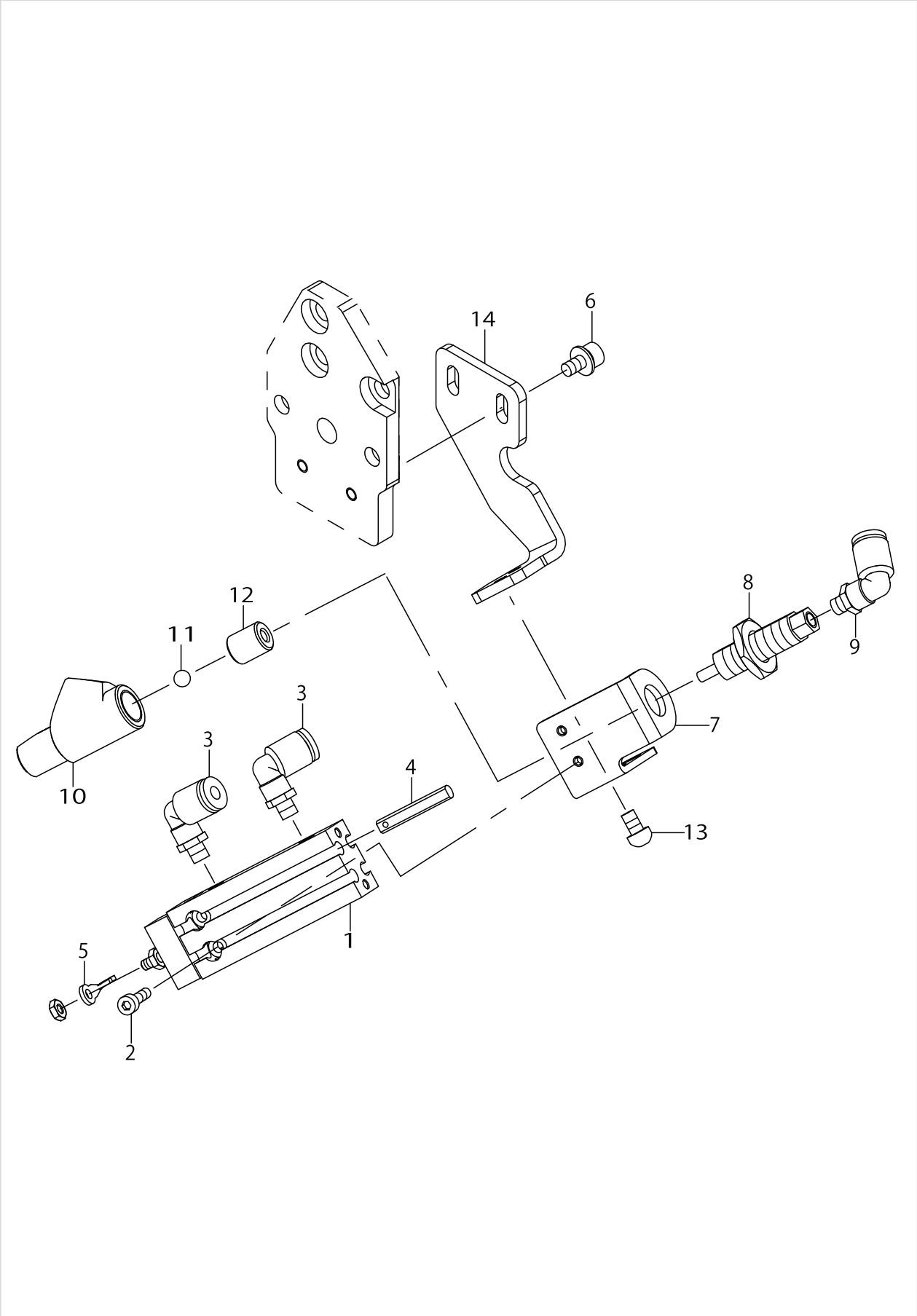
# SHUTTLE DRIVER SHAFT COMPONENTS



SHUTTLE DRIVER SHAFT COMPONENTS

No.	Parts No.	Parts name	Remarks	Level	Cons	Qty
48	SM6020250TP	SCREW				2
49	40014965	SHUTTLE(H)	OPTIONAL PARTS		☆	1
50	SM8061050TP	SCREW				1
51	SL4040891SC	SCREW M4 L=8				1
52	B1847221D00	LOWER SHAFT MIDDLE METAL				1
53	B1411804A00	BEARING (A)	SELECTIVE PARTS			2
54	B1411804B00	NEEDLE DRIVING LEVER BEARING B	SELECTIVE PARTS			2
55	B1411804C00	NEEDLE DRIVING LEVER BEARING C	SELECTIVE PARTS			2
56	B1411804D00	BEARING (D)	SELECTIVE PARTS			2
57	40032185	LOWER_SHAFT_NEEDLE_SUPPORT				2
58	SM6040602TP	SCREW M4 L=6				4
59	40032184	LOWER_SHAFT_REAR_BEARING_BRACKET				1
60	SB108000200	SIDE BEARING				1
61	SM6040460TP	SCREW				1
62	WP0450801SD	WASHER 4.5X10X0.8				1
63	SL6041692TN	SCREW				2
64	WP0482086SD	WASHER 4.8X11.5X2				2
65	HX00150000B	CABLE CLIP				2
66	SL4040891SC	SCREW M4 L=8				2
67	40032182	LOWER_SHAFT				1

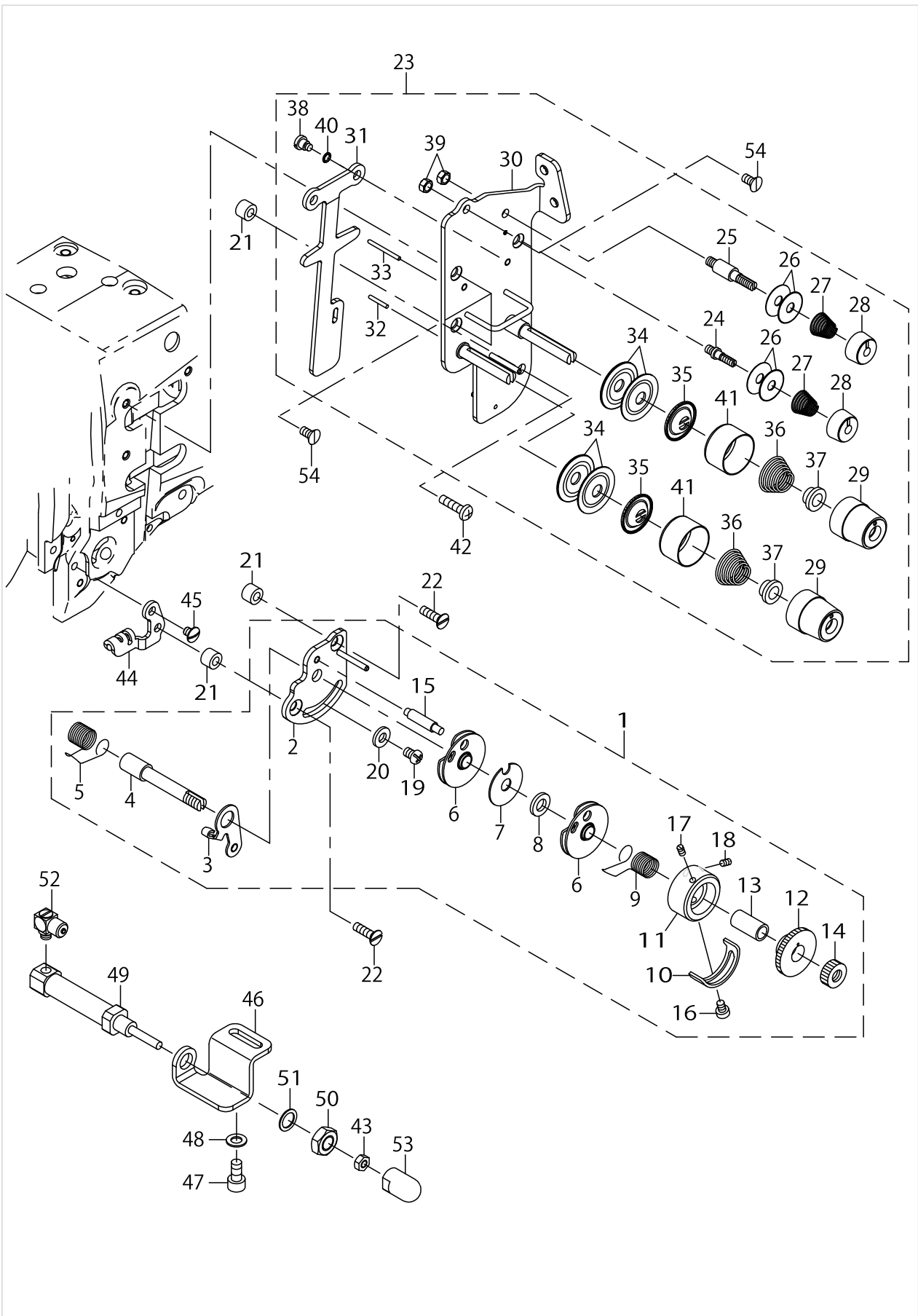
WIPER MECHANISM COMPONENTS



WIPER MECHANISM COMPONENTS

No.	Parts No.	Parts name	Remarks	Level	Cons	Qty
1	PA0602501A0	FREE MOUNT CYLINDER				1
2	SM6031202TN	SCREW M3X12				2
3	PJ304040504	UNION				2
4	40140989	WIPER SENSOR ASM.				1
5	40140279	WIPER				1
6	SL6040892TN	SCREW M4 L=8				2
7	40140283	CLAMP_BASE_B				1
8	11429008	CLAMP CYLINDER				1
9	PJ304040504	UNION				1
10	11429305	CLAMP HEAD				1
11	11428505	CLAMP BALL				1
12	11427705	HEAD BUSH				1
13	SM3040652TN	SCREW M4 L=6				2
14	40140281	CLAMP_BASE_A				1

TENSION RELEASE & THREAD TENSION COMPONENTS

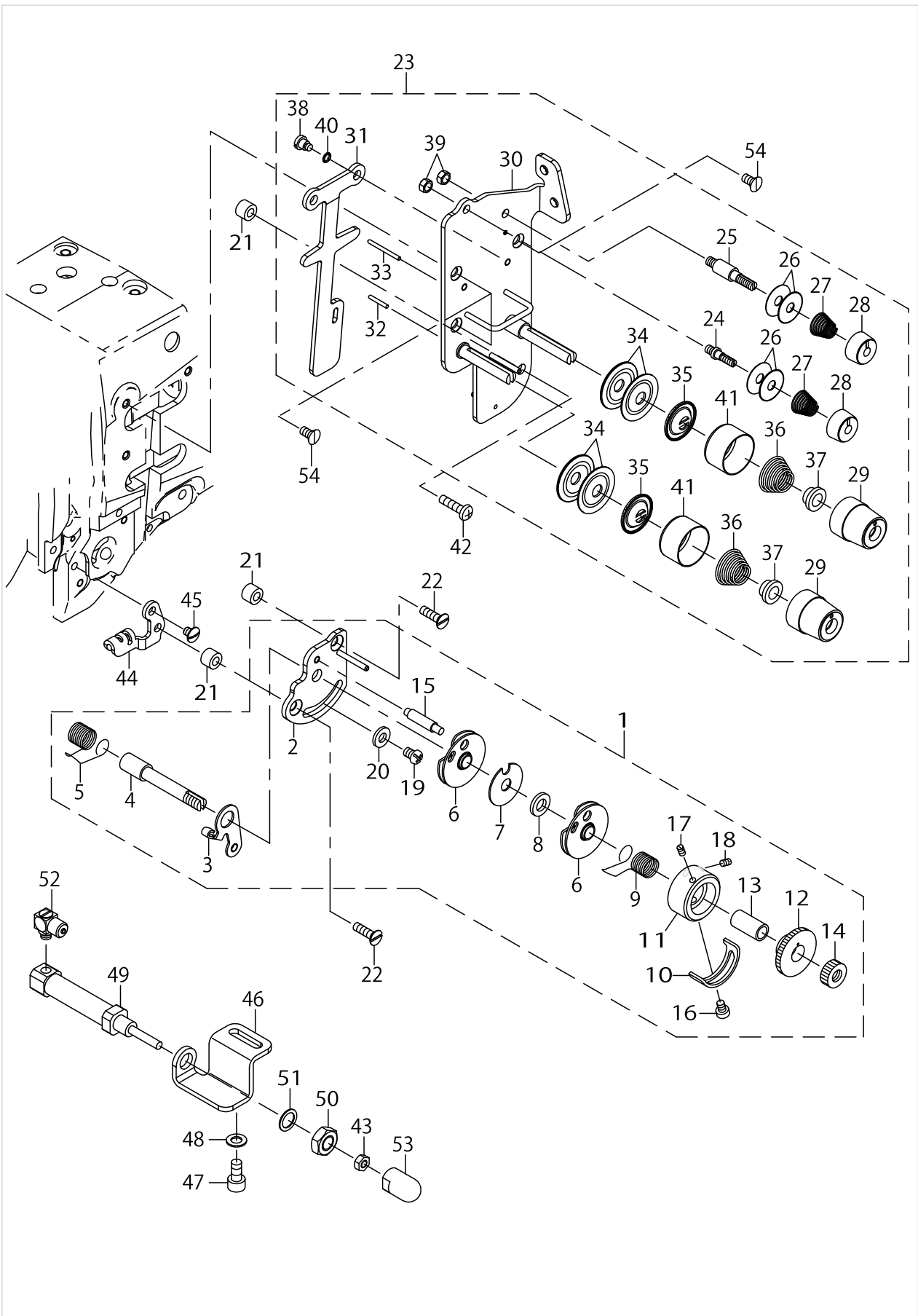


TENSION RELEASE & THREAD TENSION COMPONENTS

No.	Parts No.	Parts name	Remarks	Level	Cons	Qty
1	40140293	THREAD_TENSION_ASM_A				1
2	40140305	ASSY_TT_BASEPLATE_A		*		1
3	40140286	TT_BRACKET		*		1
4	10697605	THREAD TAKE-UP SPRING STUD		*		1
5	22618706	THREAD TAKE-UP SPRING A		*	☆	1
6	B31375270A0	TAKE-UP SPRING GUIDE ASM.		*		2
7	B3142527000	TAKE-UP SPRING GUIDE PLATE		*		1
8	B3139527000	COLLAR		*		1
9	22618805	THREAD TAKE-UP SPRING B		*	☆	1
10	B3138527000	ADJUSTING PLATE B		*		1
11	22617609	THREAD TENSION POST		*		1
12	22617708	TAKE-UP SPRING GUIDE		*		1
13	B3141527000	PRESSER COLLAR		*		1
14	22617807	NUT		*		1
15	B3143527000	TAKE-UP SPRING GUIDE STUD		*		1
16	SS7090510SP	SCREW 9/64-40 L=4.6		*		1
17	22618904	SET SCREW		*		1
18	22618904	SET SCREW		*		1
19	SS4110615SP	SCREW 11/64-40 L=6		*		1
20	WP0501016SD	WASHER 5X10.5X1		*		1
21	40140288	THREAD_GUIDE_COLLER				3
22	SM1041400SP	SCREW				2
23	40140295	TREAD_TENSION_ASM. B				1
24	10124204	THREAD TENSION POST		*		1
25	10124303	THREAD TENSION POST		*		1
26	10741106	FIRST THREAD TENSION PLATE		*		4
27	11045101	THREAD TENSION SPRING		*		2
28	11072402	THREAD TENSION NUT		*		2
29	11957008	THREAD TENSION KNOB		*		2
30	40140317	ASSY_TT_BASEPLATE_B		*		1
31	40140294	DISK_RELEASE_PLATE		*		1
32	22618201	TENSION RELEASE PIN		*		1
33	22618300	TENSION RELEASE PIN		*		1
34	B3126012000	THREAD TENSION DISK		*		4
35	22617906	THREAD TENSION DISK PRESSER		*		2
36	B3114232000	THREAD TENSION SPRING		*		2
37	B3112704000	TENSION SPRING BUSHING		*		2
38	SD0470316TP	SHOULDER SCREW D=4.7 H=3.1		*		2
39	NS6110310SP	HEXAGONAL NUT 11/64-40		*		2
40	RO036080200	O-RING		*		2
41	B3107804000	THREAD TENSION DISK PRESSER		*		2
42	SM4041655SP	SCREW M4 L=16				1
43	NM6040001SP	NUT M4X0.7 TYPE1				1
44	40140290	THREAD CLAMP A				1
45	SM5040550TP	SCREW M4 L=5				1
46	40140296	TT_AIR_CYLINDER_BASE_PLATE				1
47	SM6051002TP	SCREW M5X0.8 L=10				2



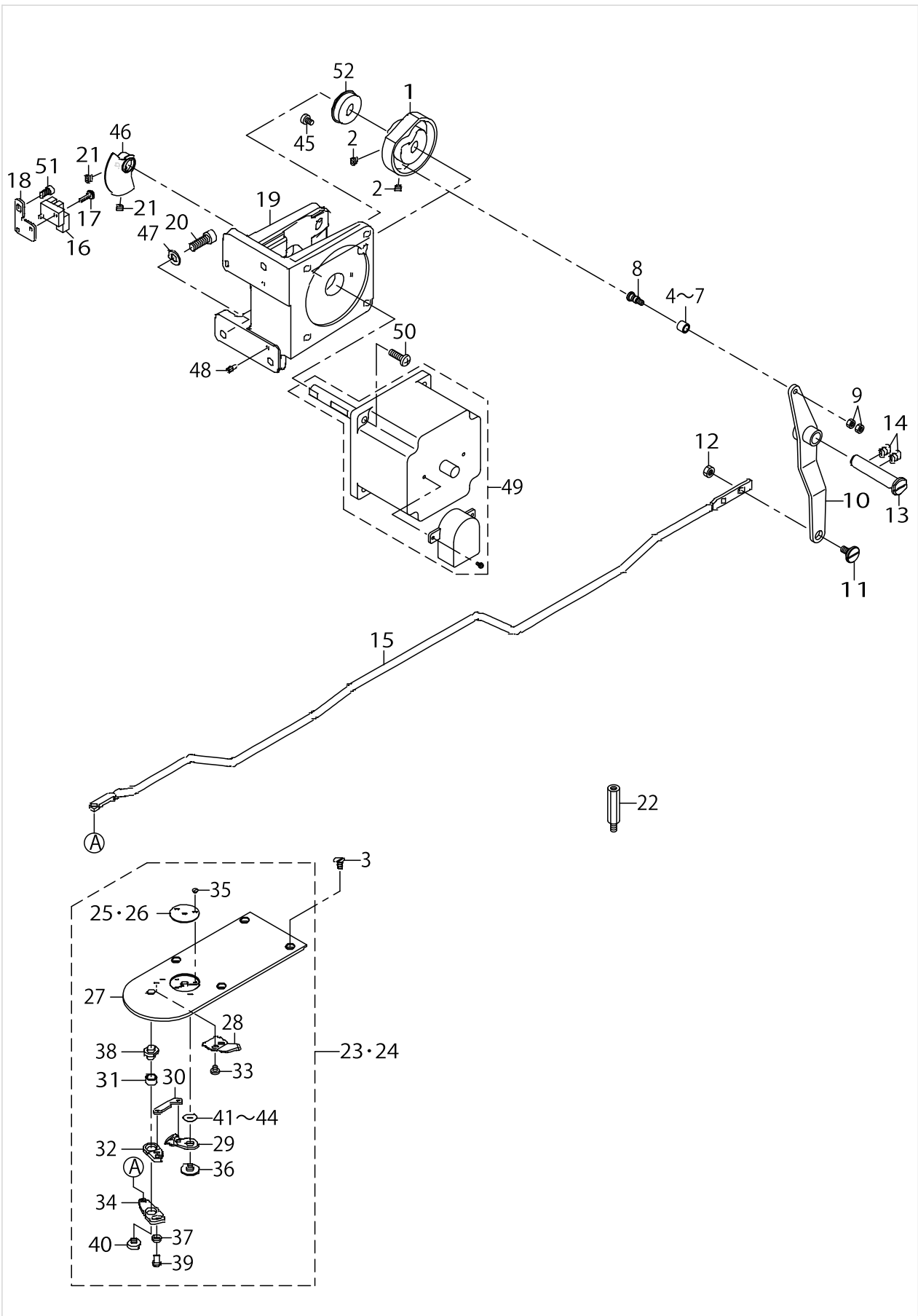
TENSION RELEASE & THREAD TENSION COMPONENTS



TENSION RELEASE & THREAD TENSION COMPONENTS

No.	Parts No.	Parts name	Remarks	Level	Cons	Qty
48	WP0550800SP	WASHER 5.5X10X0.8				2
49	PA100102000	AIR CYLINDER				1
50	NM6080003SC	NUT M8X1.25 TYPE3				1
51	WP0820516SP	WASHER 11.6X8.2X0.6				1
52	PJ046052503	HOSE ELBOW				1
53	40140297	TT_AC_CAP				1
54	SM1040870TP	SCREW				3

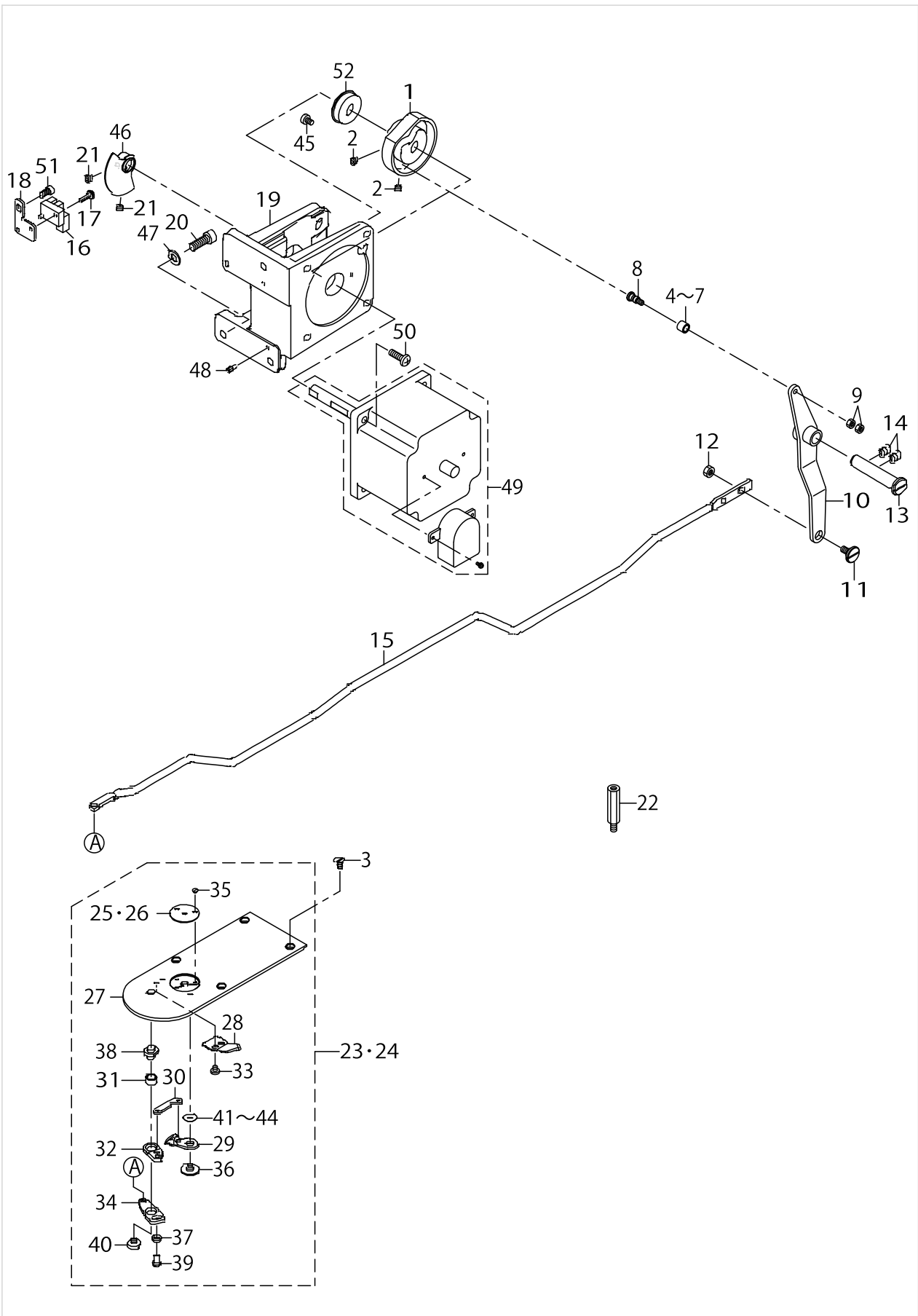
THREAD TRIMMER MECHANISM COMPONENTS



THREAD TRIMMER MECHANISM COMPONENTS

No.	Parts No.	Parts name	Remarks	Level	Cons	Qty
1	40030936	THREAD_TRIMMER_CAM				1
2	SM8050592TP	SCREW				2
3	SM1040650TP	SCREW				4
4	23517501	NEEDLE CAM ROLLER A	SELECTIVE PARTS			1
5	23517600	NEEDLE CAM ROLLER B	SELECTIVE PARTS			1
6	23517709	NEEDLE CAM ROLLER C	SELECTIVE PARTS			1
7	23517808	NEEDLE CAM ROLLER D	SELECTIVE PARTS			1
8	40040256	ROLLER_SHAFT				1
9	NM6040001SP	NUT M4X0.7				2
10	40072228	THREAD_TRIMMER_LINK_ASM.				1
11	SD0800327TP	SHOULDER SCREW				1
12	NM6050001SP	NUT M5				1
13	40023624	THREAD_TRIMMER_SHAFT				1
14	SM8060812TP	SCREW M6 L=8				2
15	40032186	THREAD_TRIMMER_CONNECTING_BAR				1
16	HD00057000A	PHOTO SENSOR				1
17	SL4031091SC	SCREW M3X10				1
18	40010443	SENSOR_INSTALLING_BASE				1
19	40072211	MOTOR_BASE				1
20	SM6061802TP	SCREW M6 L=18				3
21	SM8050592TP	SCREW				2
22	HX00056000A	SPACER B				2
23	40030933	NEEDLE_PLATE_H_ASM.				1
24	40073085	NEEDLE_PLATE_H_2.4_ASM.	OPTIONAL PARTS			1
25	B242621000B	NEEDLE HOLE GUIDE D=2.0		*	☆	1
26	B242621000D	NEEDLE HOLE GUIDE D=2.4	OPTIONAL PARTS	*	☆	1
27	40030934	NEEDLE_PLATE		*		1
28	B2424210000	COUNTER KNIFE		*	☆	1
29	B2421210AA0	MOVING KNIFE COMPL.		*	☆	1
30	B2418280000	MOVING KNIFE LINK		*		1
31	B2416280000	THREAD CUTTING LEVER RING		*		1
32	B24152800A0	THREAD CUTTER LEVER ASM. SMALL		*		1
33	SS7090410SP	SCREW 9/64-40 L=3.5		*		2
34	B24142800A0	THREAD CUTTER LEVER ASM. LARGE		*		1
35	SS1060210TP	SCREW 3/32-56 L=2.2		*		2
36	B2417210000	MOVING KNIFE HINGE SCREW		*		1
37	WP0450846SP	WASHER		*		1
38	B2417280000	THREAD CUTTER LEVER SHAFT		*		1
39	SS7110740TP	SCREW 11/64-40 L=7		*		1
40	SS6110430TP	SCREW 11/64-40 L=4.0		*		1
41	B242328000D	MOVING KNIFE WASHER D	SELECTIVE PARTS	*		1
42	B242328000C	MOVING KNIFE WASHER C	SELECTIVE PARTS	*		1
43	B242328000A	MOVING KNIFE WASHER A	SELECTIVE PARTS	*		1
44	B242328000B	MOVING KNIFE WASHER B	SELECTIVE PARTS	*		1
45	SM6040650TP	SCREW				1
46	40006666	SENSOR_SLIT_ASM.				1
47	WP0651001SC	WASHER				3

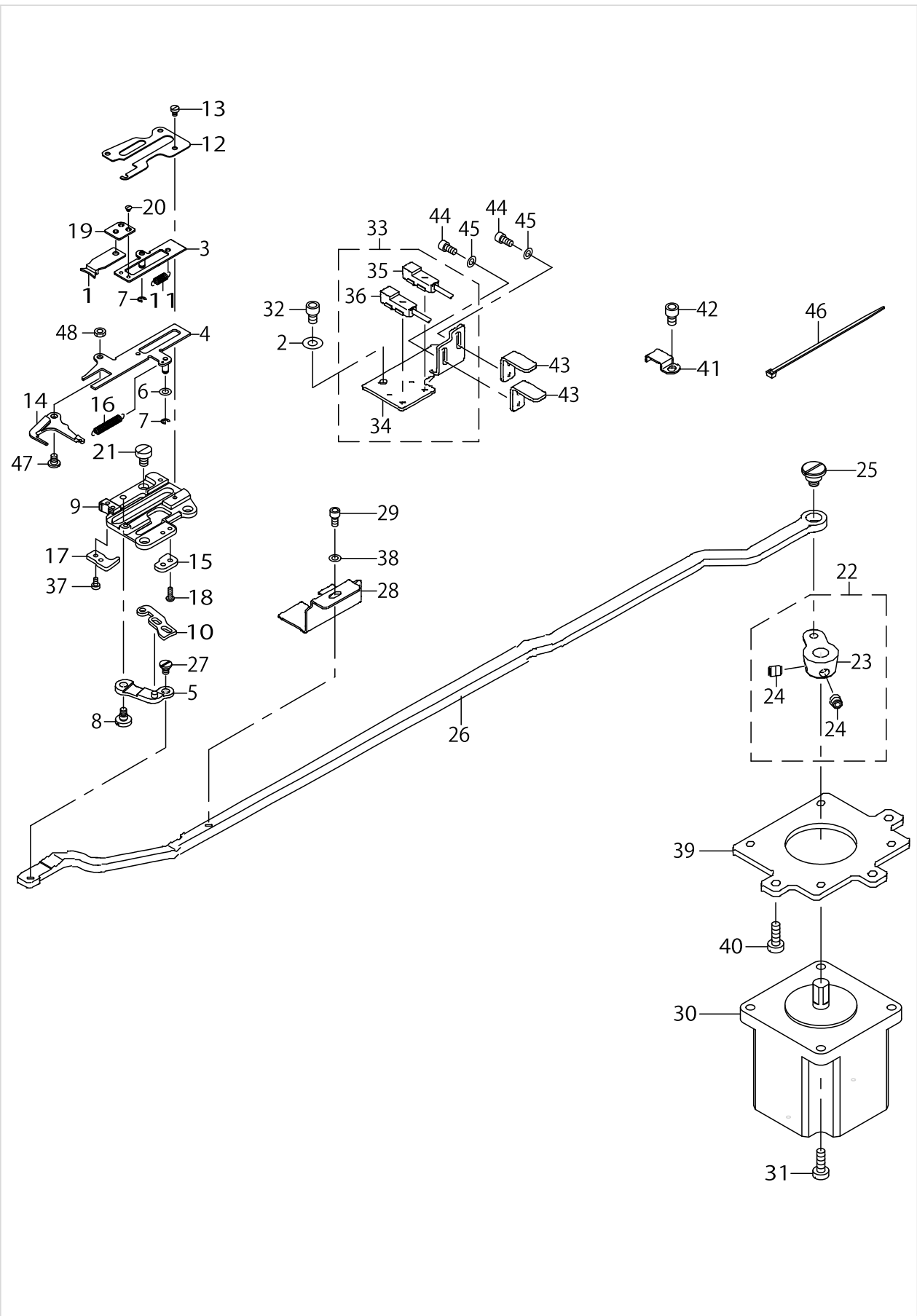
THREAD TRIMMER MECHANISM COMPONENTS



THREAD TRIMMER MECHANISM COMPONENTS

No.	Parts No.	Parts name	Remarks	Level	Cons	Qty
48	B1816215P00	GUIDE PIN				2
49	40103968	ENCODER MOTOR ASM.(TC)				1
50	SM4051655SP	SCREW M5 L=16				4
51	SM6040802TP	SCREW M4X0.7 L=8				1
52	SB110002400	BEARING				1

THREAD CLAMP COMPONENTS



THREAD CLAMP COMPONENTS

No.	Parts No.	Parts name	Remarks	Level	Cons	Qty
1	40006761	TC_CLAMP				1
2	WP0450801SP	WASHER				1
3	40076233	TC_CLAMP_PLATE_ASM.				1
4	40076235	TC_SIPPORT_PLATE_ASM.				1
5	40015800	TC_LINK_ASM.				1
6	WP0320500SC	WASHER M3				2
7	RE0200000K0	E-RING				2
8	SD0400266TP	SHOULDER SCREW				1
9	40076237	TC_BASE				1
10	40010590	TC_CAM_PLATE				1
11	40006780	TC_SPRING				1
12	40076236	TC_BASE_COVER				1
13	SM6020350SP	SCREW M2 L=2.5				4
14	40076239	TC_OPEN_PLATE				1
15	40030943	TC_NOTCH_R_H				1
16	40076232	TC_OPEN_SPRING				1
17	40030942	TC_NOTCH_F_H				1
18	SM4020600SP	SCREW M2 L=6				2
19	40012815	TC_JOINT_ASM.				1
20	SM2360110TP	SCREW				2
21	SM6040650TP	SCREW				3
22	40010527	TC_DRIVING_ARM_ASM.				1
23	40010528	TC_DRIVING_ARM		*		1
24	40011152	TC_ARM_SCREW		*		2
25	SD0800407TP	SHOULDER SCREW				1
26	40032187	TC_CONNECTING_LINK				1
27	SD0350156TP	SHOULDER SCREW				1
28	40035161	SENSOR_SLIT				1
29	SM6030602TP	SCREW M3X0.5 L=6				1
30	40085033	STEPPING MOTOR				1
31	SM6041202TP	SCREW M4X0.7 L=12				4
32	SM6040602TP	SCREW M4 L=6				1
33	40040224	TH_SENSOR_ASM.				1
34	40035160	SENSOR_BASE		*		1
35	HD00204000A	SENSOR		*		1
36	HD00204000B	SENSOR		*		1
37	SM6020450TP	SCREW				2
38	WP0320501SD	WASHER				1
39	40033069	MOTOR_BASE				1
40	SM6041202TP	SCREW M4X0.7 L=12				3
41	B3509210000	OIL TUBE HOLDER C				2
42	SM6040602TP	SCREW M4 L=6				2
43	40040082	CONNECTING_LINK_SUPPORT				2
44	SM6030602TP	SCREW M3X0.5 L=6				4
45	WP0320501SD	WASHER				4
46	EA9500B0100	CABLE BAND				2
47	SD0350156TP	SHOULDER SCREW				1

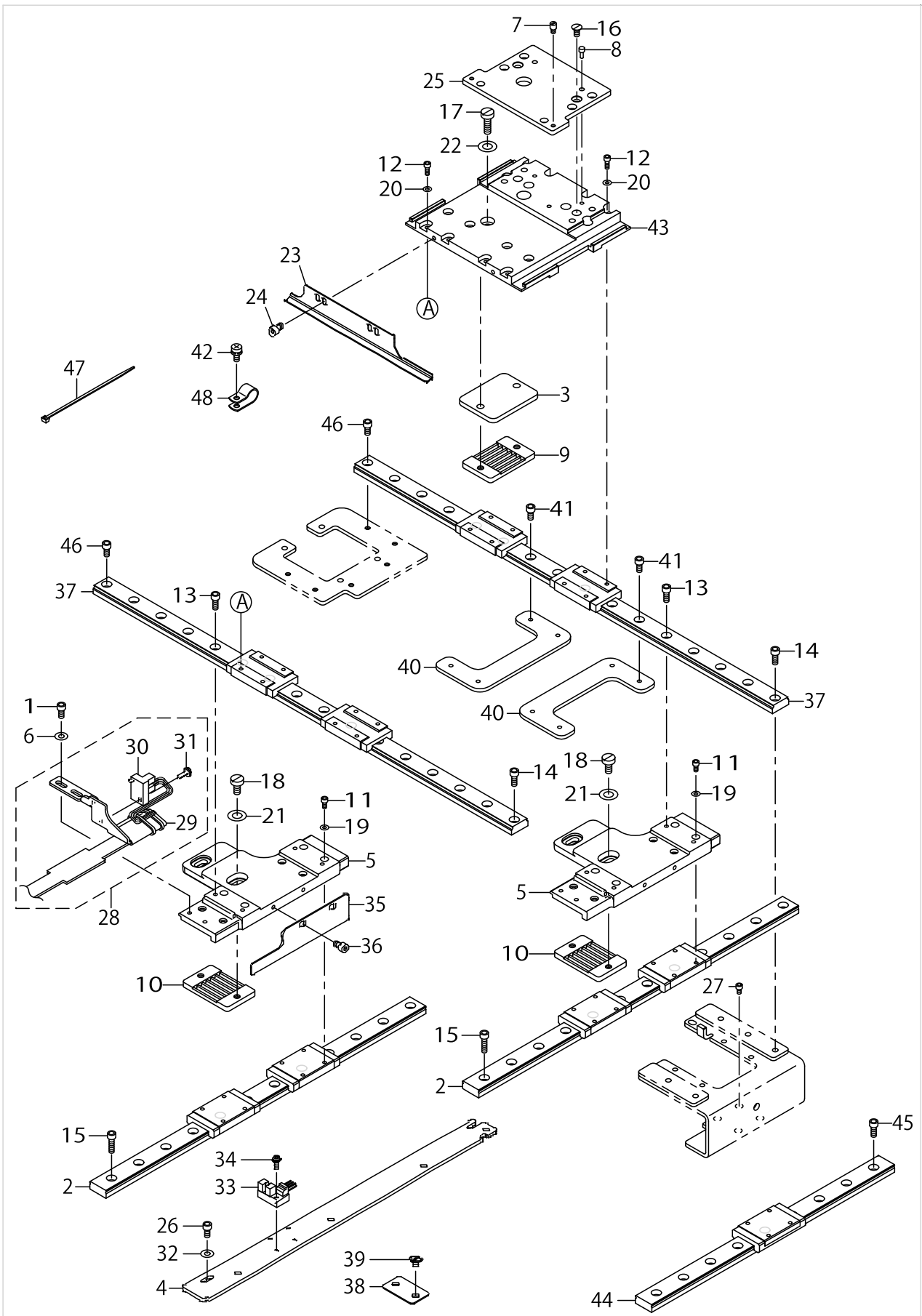




THREAD CLAMP COMPONENTS

No.	Parts No.	Parts name	Remarks	Level	Cons	Qty
48	NM6030003SC	NUT M3				1

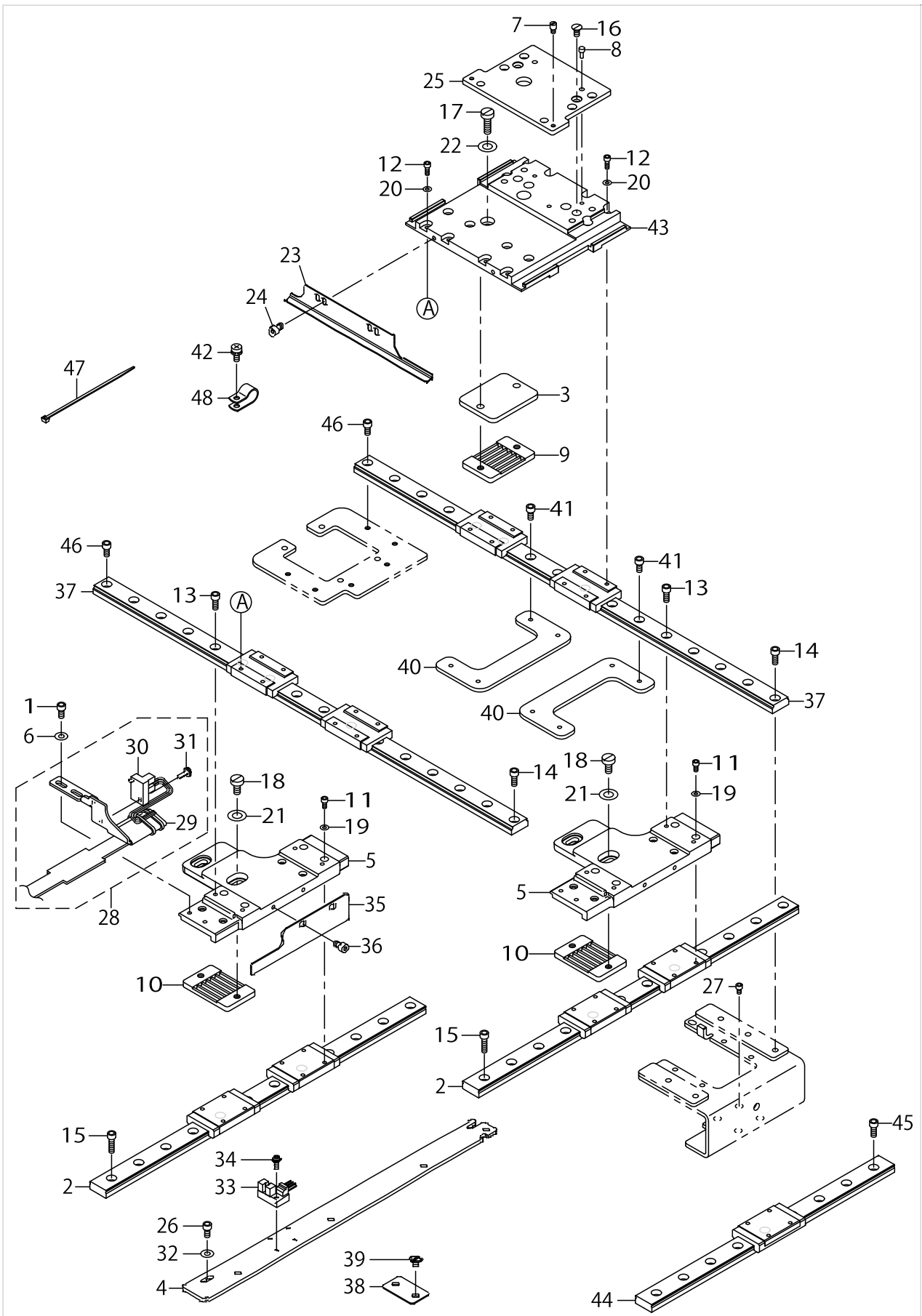
X-Y COMPONENTS (1)



X-Y COMPONENTS (1)

No.	Parts No.	Parts name	Remarks	Level	Cons	Qty
1	SM6040802TP	SCREW M4X0.7 L=8				2
2	40089777	Y_LM_GUIDE				2
3	40032205	X_BELT_PRESSER_FIX_PLATE				1
4	40032239	Y_SENSOR_INSTALLING_PLATE				1
5	40089779	Y_FEED_BASE				2
6	WP0450801SD	WASHER 4.5X10X0.8				2
7	B151902600G	HINGE STUD				2
8	B1816280000	GUIDE PIN				2
9	40032219	BELT_RECEIVER				1
10	40032219	BELT_RECEIVER				2
11	SM6030602TP	SCREW M3X0.5 L=6				16
12	SM6030802TP	SCREW M3X0.5 L=8				16
13	SM6041002TP	SCREW M4 L=10				8
14	SM6041002TP	SCREW M4 L=10				5
15	SM6041402TP	SCREW M4 L=14				8
16	SM1040870TP	SCREW				2
17	SM6051600SP	SCREW M5 L=16				2
18	SM6051000SP	SCREW				4
19	WP0320500SD	M3 WASHER				16
20	WP0320501SD	WASHER				16
21	WP0531000SD	WASHER M5				4
22	WP0531000SD	WASHER M5				2
23	40032238	X_SLIT_PLATE				1
24	SM6040602TP	SCREW M4 L=6				2
25	40032218	LOWER_PLATE_INSTALLING_PLATE				1
26	SM6040802TP	SCREW M4X0.7 L=8				2
27	SM6030502TP	BOLT M3X5				4
28	40073082	X_SENSOR_INSTALLING_PLATE_ASM.				1
29	40040222	X SENSOR CABLE ASM.		*		1
30	HD000570000	SENSOR		*		1
31	SL4031091SC	SCREW M3X10		*		1
32	WP0450801SD	WASHER 4.5X10X0.8				2
33	HD00057000A	PHOTO SENSOR				1
34	SL4031091SC	SCREW M3X10				1
35	40032240	Y_SLIT_PLATE				1
36	SM6040602TP	SCREW M4 L=6				2
37	40032209	X_LM_GUIDE				2
38	B4022221D00	FLAT CABLE CLAMP				3
39	SM6040650TP	SCREW				6
40	40032223	X_LM_GUIDE_SUPPORT_PLATE				2
41	SM6040802TP	SCREW M4X0.7 L=8				4
42	SL4041091SC	SCREW M4 L=10				2
43	40032200	X_FEED_BASE				1
44	40089778	Y_SUPPORT_LM_GUIDE				1
45	SM6041002TP	SCREW M4 L=10				7
46	SM6040802TP	SCREW M4X0.7 L=8				4
47	EA9500B0100	CABLE BAND				8

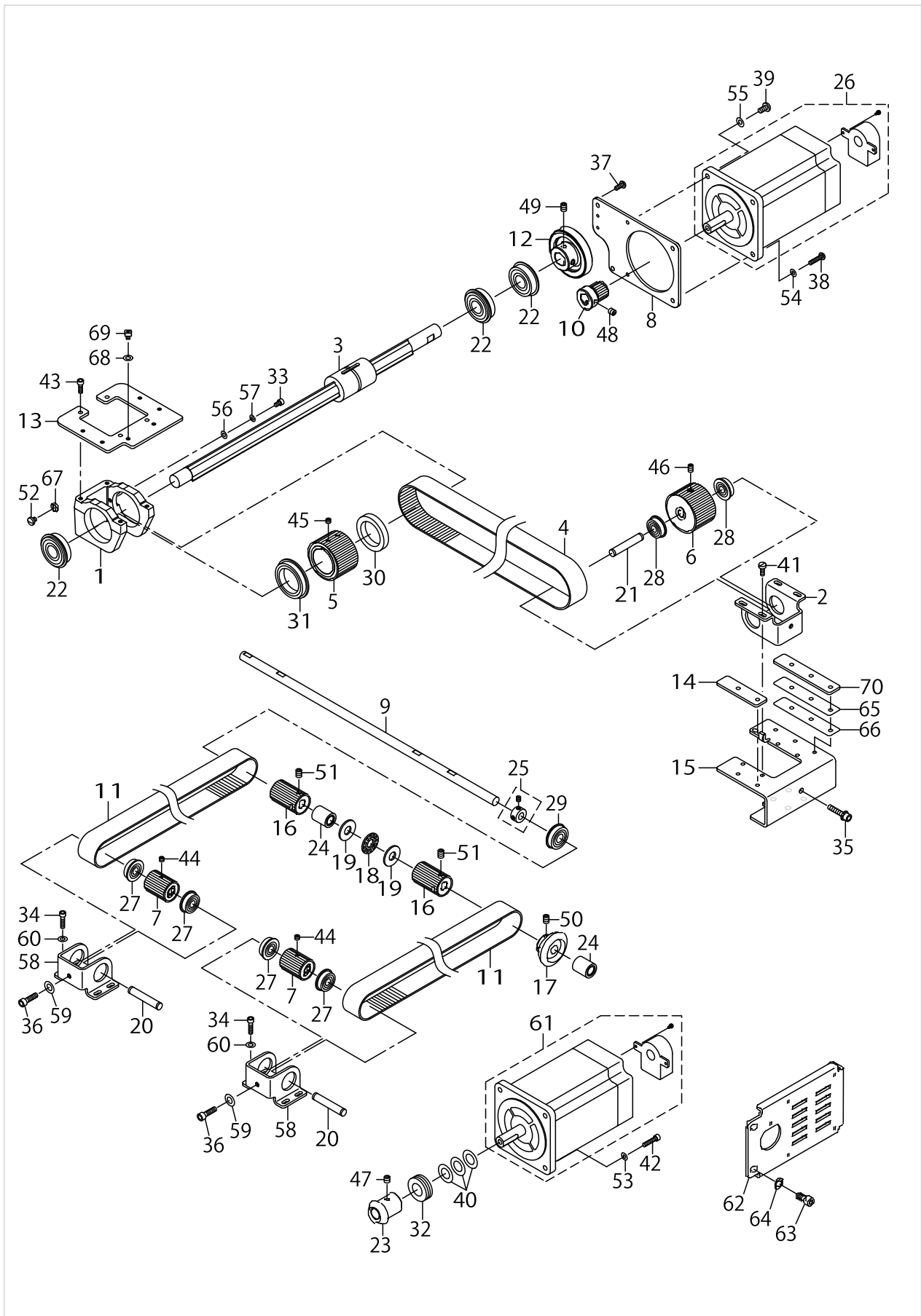
X-Y COMPONENTS (1)



X-Y COMPONENTS (1)

No.	Parts No.	Parts name	Remarks	Level	Cons	Qty
48	HX00150000D	CABLE CLIP				2

X-Y COMPONENTS (2)

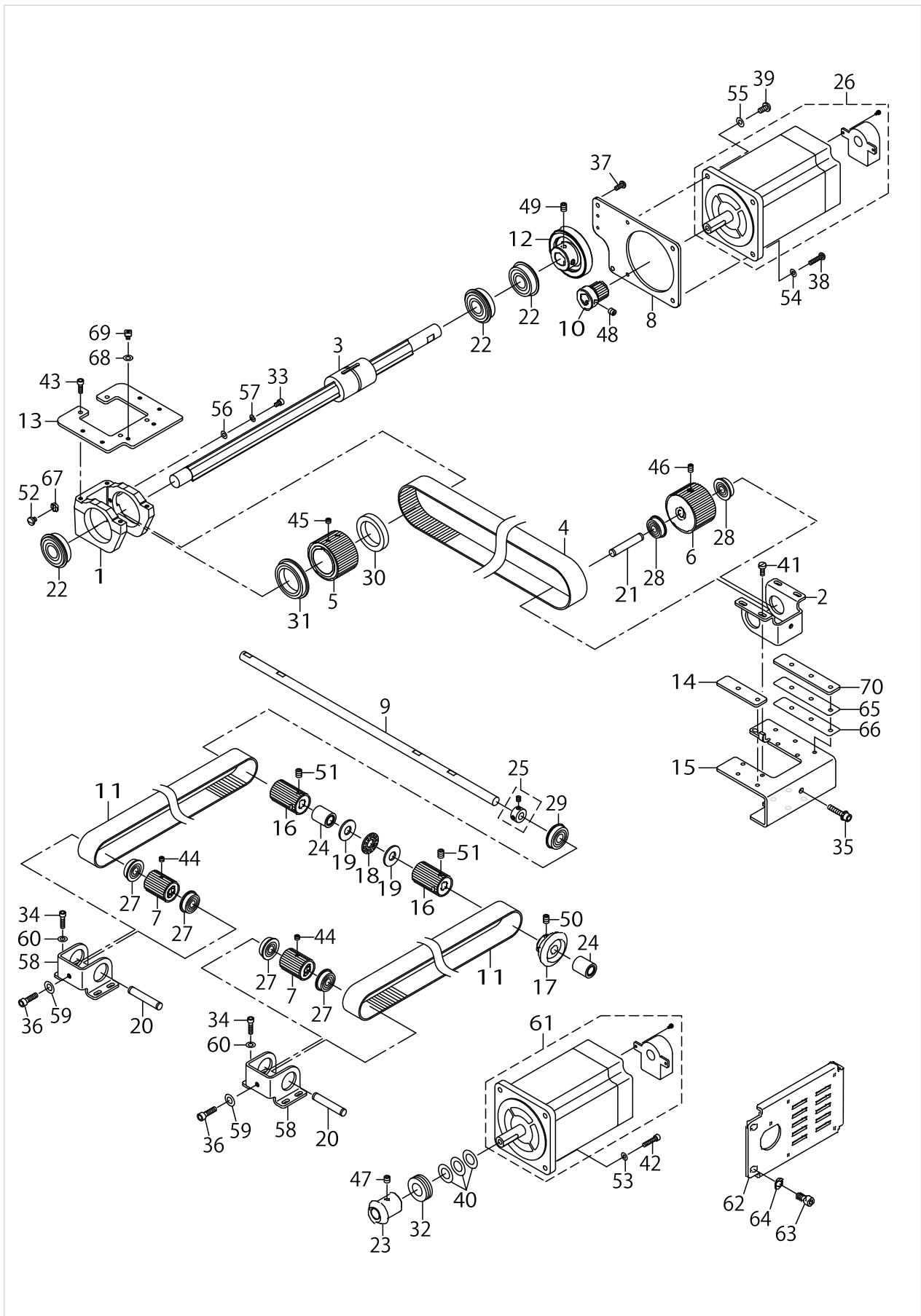


X-Y COMPONENTS (2)

No.	Parts No.	Parts name	Remarks	Level	Cons	Qty
1	B2504221D00	X DRIVE BRACKET				1
2	B2505221D00	DRIVEN BRACKET				1
3	40032192	X_DRIVE_SPLINE_SHAFT				1
4	40057368	X_TIMING_BELT				1
5	40057370	X_DRIVE_SPROCKET				1
6	40057371	X_DRIVEN_SPROCKET				1
7	40032197	Y_DRIVEN_SPROCKET				2
8	40078108	MOTOR_INSTALLING_PLATE				1
9	40032203	Y_DRIVE_SHAFT				1
10	B2525223C00	X DRIVE WHEEL				1
11	40093291	Y_TIMING_BELT				2
12	B2534223C00	X DRIVEN WHEEL				1
13	40032210	X_DRIVE_BRACKET_BASE				1
14	40121671	BRACKET_BASE_SPACER_A				2
15	40121232	X_DRIVEN_BRACKET_BASE				1
16	40032215	Y_DRIVE_SPROCKET				2
17	40032216	Y_DRIVEN_GEAR				1
18	11272408	THRUST COLLAR				1
19	16992604	THRUST WASHER				2
20	22687701	SPRING SHAFT				2
21	22687701	SPRING SHAFT				1
22	B1802180000	BUSHING FRONT				3
23	40032221	Y_DRIVE_GEAR				1
24	GAT23301000	BEARING A 10				2
25	CS100081CSP	THRUST COLLAR ASM.				1
26	40104419	ENCODER MOTOR ASM.(X-Y)				1
27	SB108000500	RADIAL BEARING				4
28	SB108000500	RADIAL BEARING				2
29	SB110001300	BEARING				1
30	SB130000200	BEARING				1
31	SB130000300	BEARING				1
32	SB412000100	BEARING				1
33	SM6040602TP	SCREW M4 L=6				1
34	SM6041602TP	SCREW M4X0.7 L=16				8
35	SL6052592TN	BOLT				1
36	SM6051802TP	SCREW M5 L=18				2
37	SM4041055SP	SCREW				2
38	SM4042055SP	SCREW				2
39	SM4051255SP	SCREW M5 L=12				2
40	B2537221D00	Y DRIVE WHEEL SPACER				3
41	SM6041150TP	SCREW				4
42	SM6041802TP	SCREW M4 L=18				4
43	SM6041202TP	SCREW M4X0.7 L=12				4
44	SM8050412TP	SCREW M5 L=4				2
45	SM8050412TP	SCREW M5 L=4				2
46	SM8050812TP	SCREW M5X8				1
47	SM8060602TP	SCREW M6X6				2



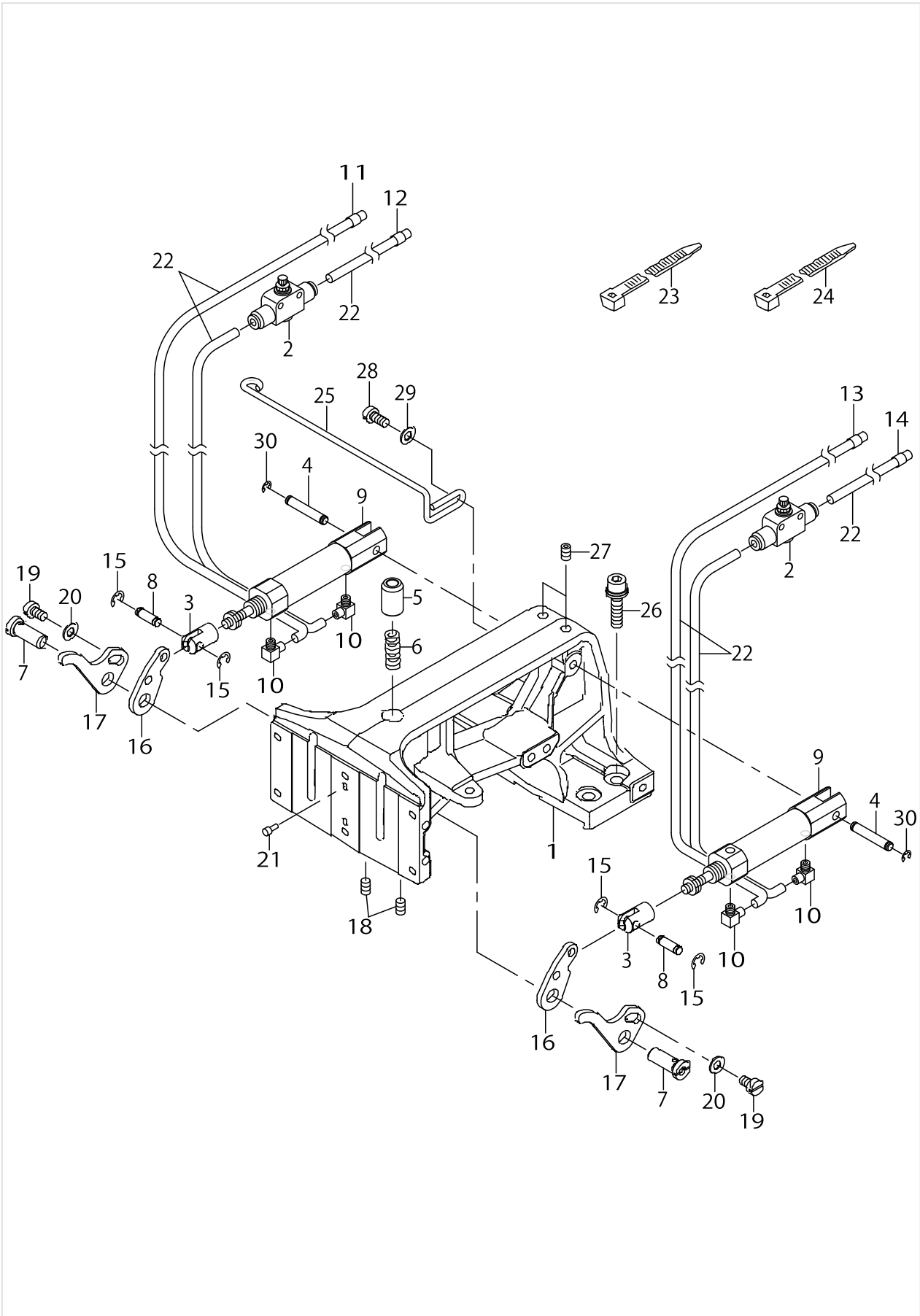
X-Y COMPONENTS (2)



X-Y COMPONENTS (2)

No.	Parts No.	Parts name	Remarks	Level	Cons	Qty
48	SM8060602TP	SCREW M6X6				2
49	SM8060802TP	SCREW M6 L=8				2
50	SM8060812TP	SCREW M6 L=8				2
51	SM8060812TP	SCREW M6 L=8				4
52	SM6050800SP	SCREW M5 L=8				1
53	WP0482086SD	WASHER 4.8X11.5X2				4
54	WP0482086SD	WASHER 4.8X11.5X2				2
55	WP0501016SD	WASHER 5X10.5X1				2
56	WP0430801SC	WASHER 4.3X9X0.8				1
57	WS0410002KN	SPRING WASHER				1
58	40032191	Y_DRIVEN_BRACKET				2
59	WP0531001SC	WASHER				2
60	WP0450000SD	WASHER 4.5X8X0.5				8
61	40104419	ENCODER MOTOR ASM.(X-Y)				1
62	40043096	FAN_INSTALLING_PLATE_A				1
63	SM6061202TN	BOLT				2
64	WP0651001SC	WASHER				2
65	40121766	P=SPACER				2
66	40121767	P=SPACER_0.1				4
67	WP0531000SD	WASHER M5				1
68	WP0450000SD	WASHER 4.5X8X0.5				1
69	SM6040602TP	SCREW M4 L=6				1
70	40121230	BRACKET_BASE_SPACER				1

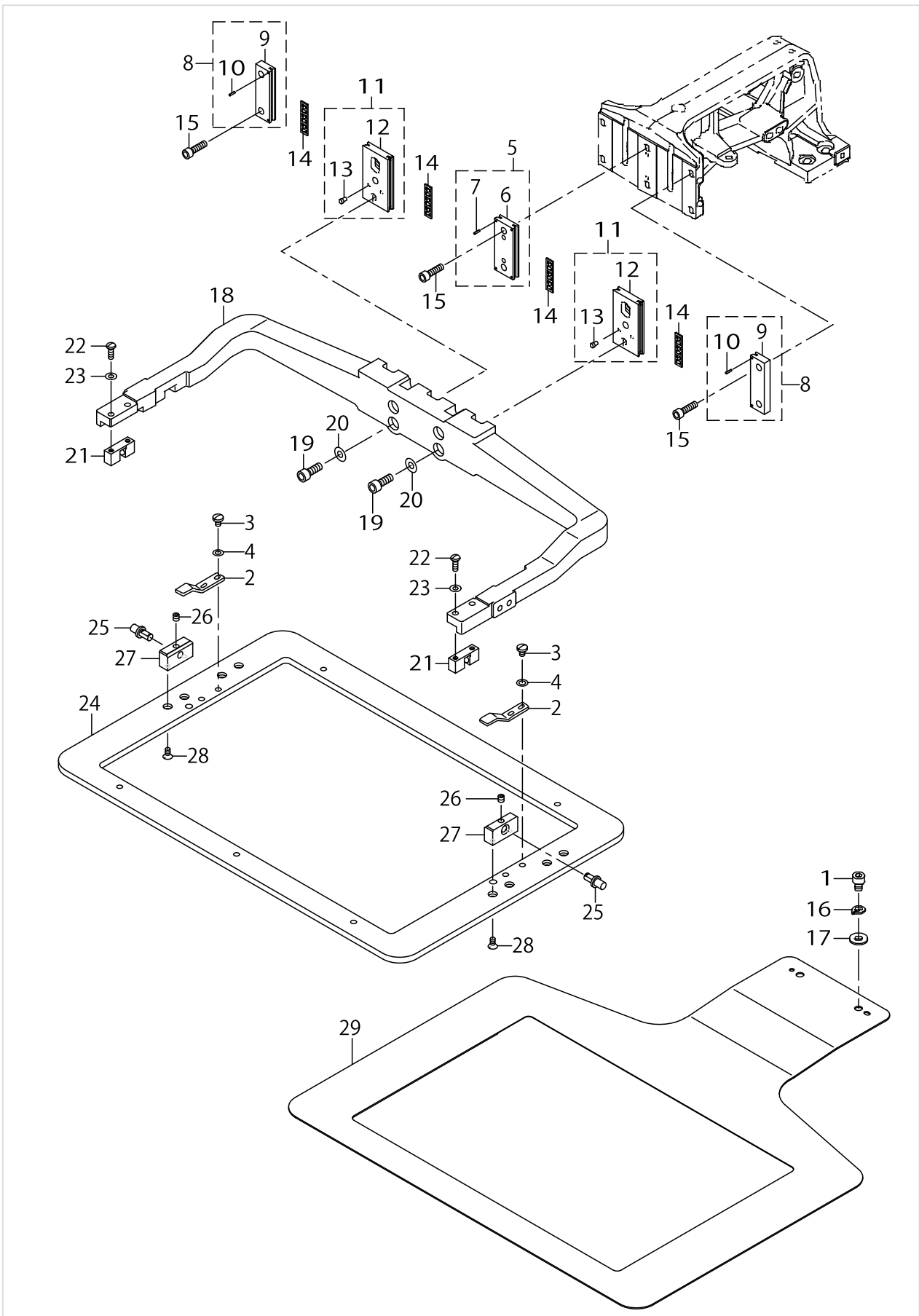
CLOTH FEED MECHANISM COMPONENTS (1)



CLOTH FEED MECHANISM COMPONENTS (1)

No.	Parts No.	Parts name	Remarks	Level	Cons	Qty
1	40044186	CLOTH_FEED_BASE_3020				1
2	PC012401000	SPEED CONTROLLER				2
3	40023644	CYLINDER KNUCKLE				2
4	B1504210000	CONNECTING SHAFT				2
5	26017707	NEEDLE BAR BUSHING LOWER				1
6	B2576220000	SLIDER SPRING				1
7	26023408	FEED STUD				2
8	40023635	CYLINDER PIN				2
9	PA1602509A0	AIR CYLINDER				2
10	PJ046052503	HOSE ELBOW				4
11	B471122000C	AIR TUBE LABEL J03 LEFT				1
12	B471122000D	AIR TUBE LABEL J04 LEFT				1
13	B471122000G	AIR TUBE LABEL J03 RIGHT				1
14	B471122000H	AIR TUBE LABEL J04 RIGHT				1
15	RE0300000K0	E-RING 3				4
16	40032229	LIFTING_LEVER_A				2
17	40032230	LIFTING_LEVER_B				2
18	SM8050812TP	SCREW M5X8				2
19	SM6050800SP	SCREW M5 L=8				2
20	WP0531000SD	WASHER M5				2
21	B1816280000	GUIDE PIN				2
22	BT0400251EB	URETHANE HOSE BLACK				6.34
23	HX00233000B	CABLE BAND				1
24	HX002330000	CLIP				10
25	B2568223C00	AIR TUBE SUPPORT				1
26	SL6062592TN	SCREW				4
27	SM8050812TP	SCREW M5X8				2
28	SM6051000SP	SCREW				2
29	WP0531000SD	WASHER M5				2
30	RE0320000K0	E-RING 3.2				2

CLOTH FEED MECHANISM COMPONENTS (2)



CLOTH FEED MECHANISM COMPONENTS (2)

No.	Parts No.	Parts name	Remarks	Level	Cons	Qty
1	SM6060802TP	SCREW M6 L=8				2
2	B2558220000	PLASTIC BLANK PLATE				2
3	SM4050655SP	SCREW M5 L=6				4
4	WP0531000SD	WASHER M5				4
5	B26132150A0	WORK CLAMP FOOT PLATE A ASM.				1
6	B2613215000	WORK CLAMP FOOT PLATE A		*		1
7	PS0150065KP	SPRING PIN 1.5X6		*		4
8	B25672150A0	WORK CLAMP FOOT PLATE B ASM.				2
9	B2567215000	WORK CLAMP FOOT PLATE B		*		1
10	PS0150065KP	SPRING PIN 1.5X6		*		2
11	40032839	SLIDE_PLATE_ASM.				2
12	40032840	SLIDE_PLATE		*		1
13	B1816280000	GUIDE PIN		*		2
14	B2513215000	BEARING				4
15	SM6051802TP	SCREW M5 L=18				6
16	WS0610002KP	SPRING WASHER				2
17	WP0611626SP	WASHER 15X6X1.6				2
18	40051500	OUTOR_FRAME_ARM				1
19	SM6061602TP	SCREW M6 L=16				4
20	WP0641600SC	WASHEW 6.4X12.5X1.6				4
21	40051770	FEEDING FRAME BALL CATCH				2
22	SM4041255SP	SCREW M4 L=12				4
23	WP0450000SD	WASHER 4.5X8X0.5				4
24	40032843	FEEDING_FRAME_3020				1
25	B2560220000	SUPPORT PIN				2
26	SM8050512TP	SCREW				2
27	40051769	FEEDING FRAME SUPPORT BEARING				2
28	SM1040870TP	SCREW				4
29	40051782	LOWER PLATE 3020				1

TABLE COMPONENTS

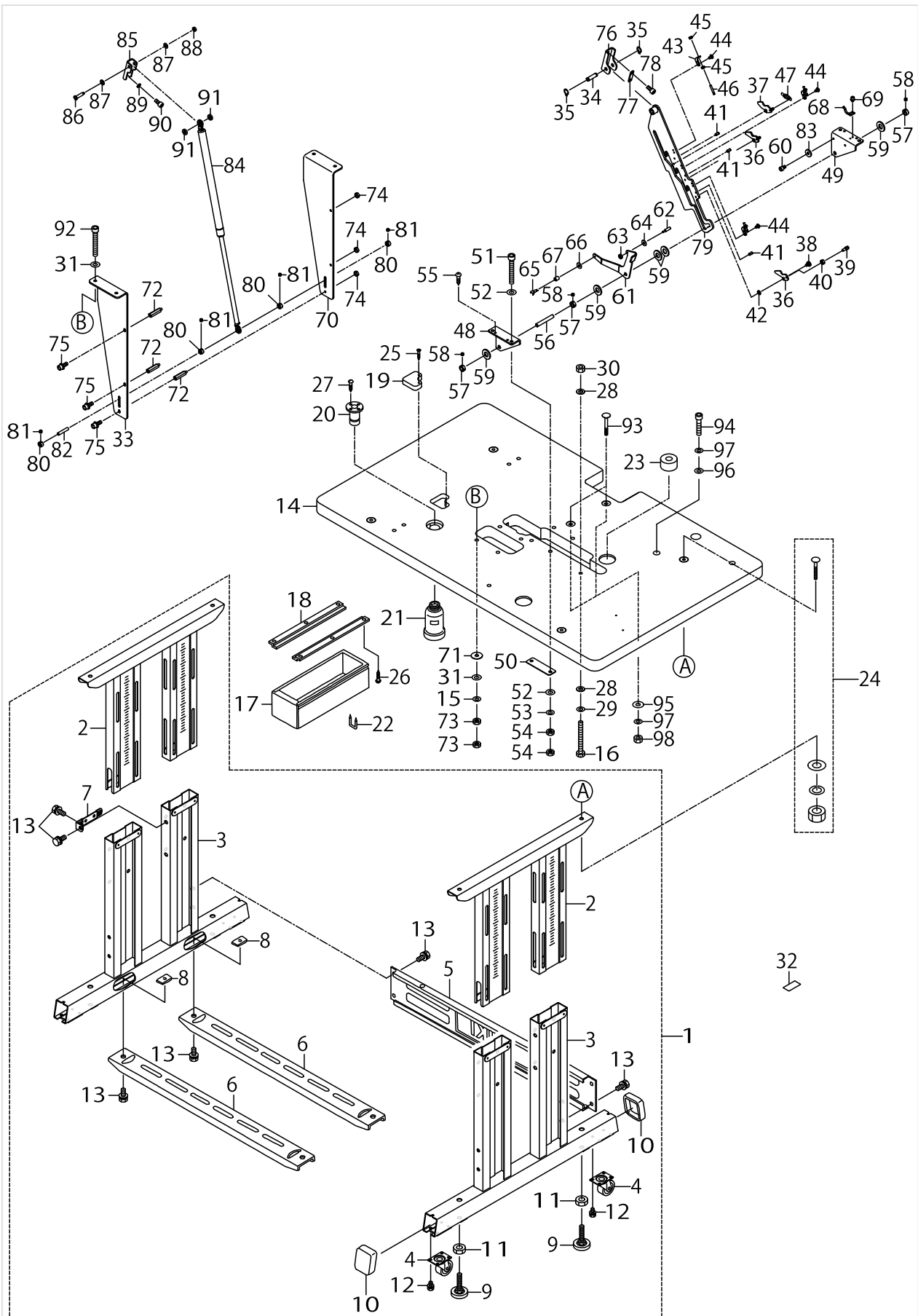


TABLE COMPONENTS

No.	Parts No.	Parts name	Remarks	Level	Cons	Qty
1	B8101221DA0	STAND ASM.				1
2	B8102221DA0	UPPER STAND COMPL.		*		2
3	B8103221DA0	STAND COMPL.		*		2
4	B8150221D00	CASTER		*		4
5	11158300	STAND SIDE SUPPORT		*		1
6	11158409	STAND SIDE SUPPORT		*		2
7	11158516	UPPER STAND PLATE		*		4
8	17007402	NUT		*		4
9	17833658	ADJUSTING BOLT ASM.		*		4
10	B8110373N00	CAP		*		4
11	NM6120003SE	NUT M12		*		4
12	SL9061293SE	WASHER HEXAGONAL BOLT		*		16
13	SL9082093SE	SCREW		*		20
14	40090320	TABLE				1
15	WS0820002KN	SPRING WASHER M8				4
16	SM9087533SC	SCREW M8 L=75				1
17	11155108	DRAWER				1
18	11155207	DRAWER SUPPORT				2
19	B8171223C00	RUBBER ABSORBER				1
20	B8202205000	OIL MANAGEMENT				1
21	B9121012000	OIL CAN				1
22	D8204555D00	DRAWER STOPPER				1
23	G5151171000	CUSHION				2
24	MTJMS00000S	SCREW SET				4
25	SK1382501SE	WOOD SCREW D=3.8 L=25				1
26	SK3311600SC	WOOD SCREW D=3.1 L=16				6
27	SK3311600SC	WOOD SCREW D=3.1 L=16				2
28	WP0841600SE	WASHER 8.4X15.5X1.6				2
29	WS0820002KN	SPRING WASHER M8				1
30	NM6080001SC	NUT M8X1.25				1
31	WP0850002SP	WASHER 8.5X18X1.6				8
32	16870206	GRAVITY SEAL				1
33	40098325	LIFTER_BRACKET_A				1
34	40091078	PIVOT_SHAFT				1
35	RC0100001KP	SNAP RING M10				2
36	40089790	GUIDE_PLATE_B				2
37	40089789	GUIDE_PLATE_A				1
38	SD0600326TP	SHOULDER SCREW D=6 H=3.2				3
39	40011926	SPRING_HOOK				3
40	NM6040001SC	NUT M4X0.7 TYPE1				3
41	PS0400082KP	SPRING PIN				3
42	10523702	WASHER				3
43	40086365	SPRING_HOOK_BRACKET				3
44	SM4040655SP	SCREW M4 L=6				6
45	NS6110310SP	NUT 11/64-40				6
46	26226506	SPRING HOOK				3
47	13888201	SPRING				3



TABLE COMPONENTS

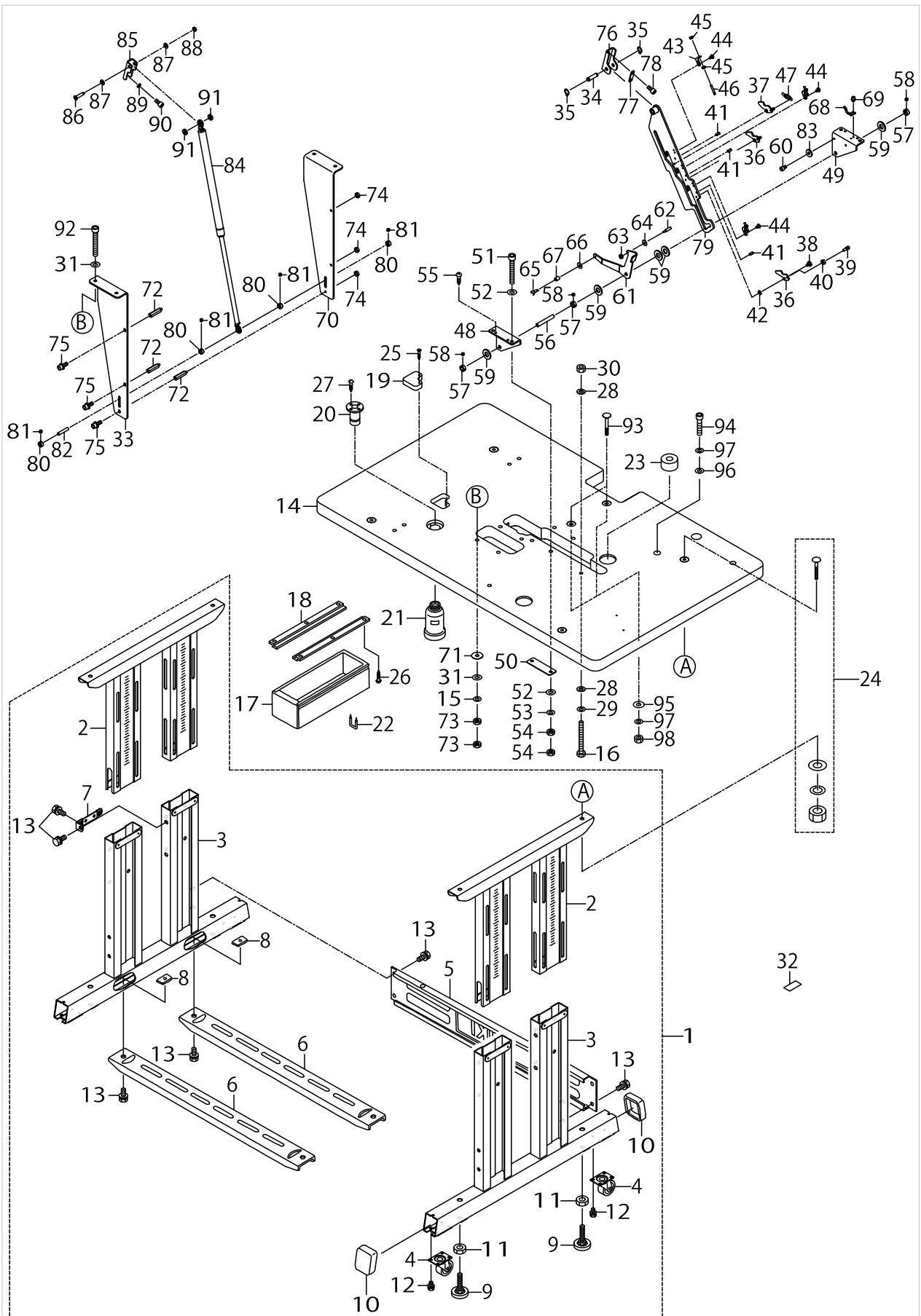


TABLE COMPONENTS

No.	Parts No.	Parts name	Remarks	Level	Cons	Qty
48	40089786	BOTTOM_STOPPER_BASE_A				1
49	40089787	BOTTOM_STOPPER_BASE_B				1
50	40089792	SPACER_B				2
51	SM6086002TP	SCREW				4
52	WP0850002SP	WASHER 8.5X18X1.6				8
53	WS0820002KN	SPRING WASHER M8				4
54	NM6080003SC	NUT M8				8
55	SK3582501SE	WOOD SCREW D=5.8 L=25				4
56	40089791	GUIDE_PIN				1
57	CS1000881TP	THRUST COLLAR				3
58	SM8050412TP	SCREW M5 L=4				6
59	WP1022016SH	WASHER				5
60	SM6050802TP	SCREW M5X0.8 L=8				2
61	40091075	RELEASE_LEVER				1
62	40011205	STUD				1
63	NM6040001SC	NUT M4				1
64	WP0431005SP	PLAIN WASHER 4.3X12X1				1
65	SD0601406TP	SHOULDER SCREW D=6 H=14				1
66	WP0431005SP	PLAIN WASHER 4.3X12X1				1
67	GAW01502000	OILLESS SHAFT HOLDER				1
68	40091076	LOCK_SPRING				1
69	SL6040692TN	BOLT				2
70	40098326	LIFTER_BRACKET_B				1
71	B1628191B00	BODY CAP B				4
72	40016705	OIL_TANK_STUD_A				3
73	NM6080003SC	NUT M8				8
74	NM6060003SC	NUT M6				3
75	SL6061692TN	BOLT				3
76	40089785	TOP_STOPPER_BASE				1
77	40091083	SPACER_A				1
78	SM6061202TN	BOLT				2
79	40091362	STOPPER_PLATE_ASM				1
80	CS0800881TP	THRUST COLLAR				4
81	SM8050412TP	SCREW M5 L=4				8
82	B2539223C00	X IDLER SHAFT				1
83	WP0522016SH	WASHER				2
84	40089783	GAS_SPRING				1
85	40089782	LIFTER_BRACKET_C				1
86	40089784	SHOULDER_SCREW				1
87	B1223771000	NEEDLE ROD CRANK WASHER				2
88	NM6060001SC	NUT M6				1
89	WS0610002KP	SPRING WASHER				2
90	SM6061202TN	BOLT				2
91	40051536	CUSHION				2
92	SM6086002TP	SCREW				4
93	MTSHJ100003	BOLT				2
94	SM6084002TN	SCREW M8 L=40				1

TABLE COMPONENTS

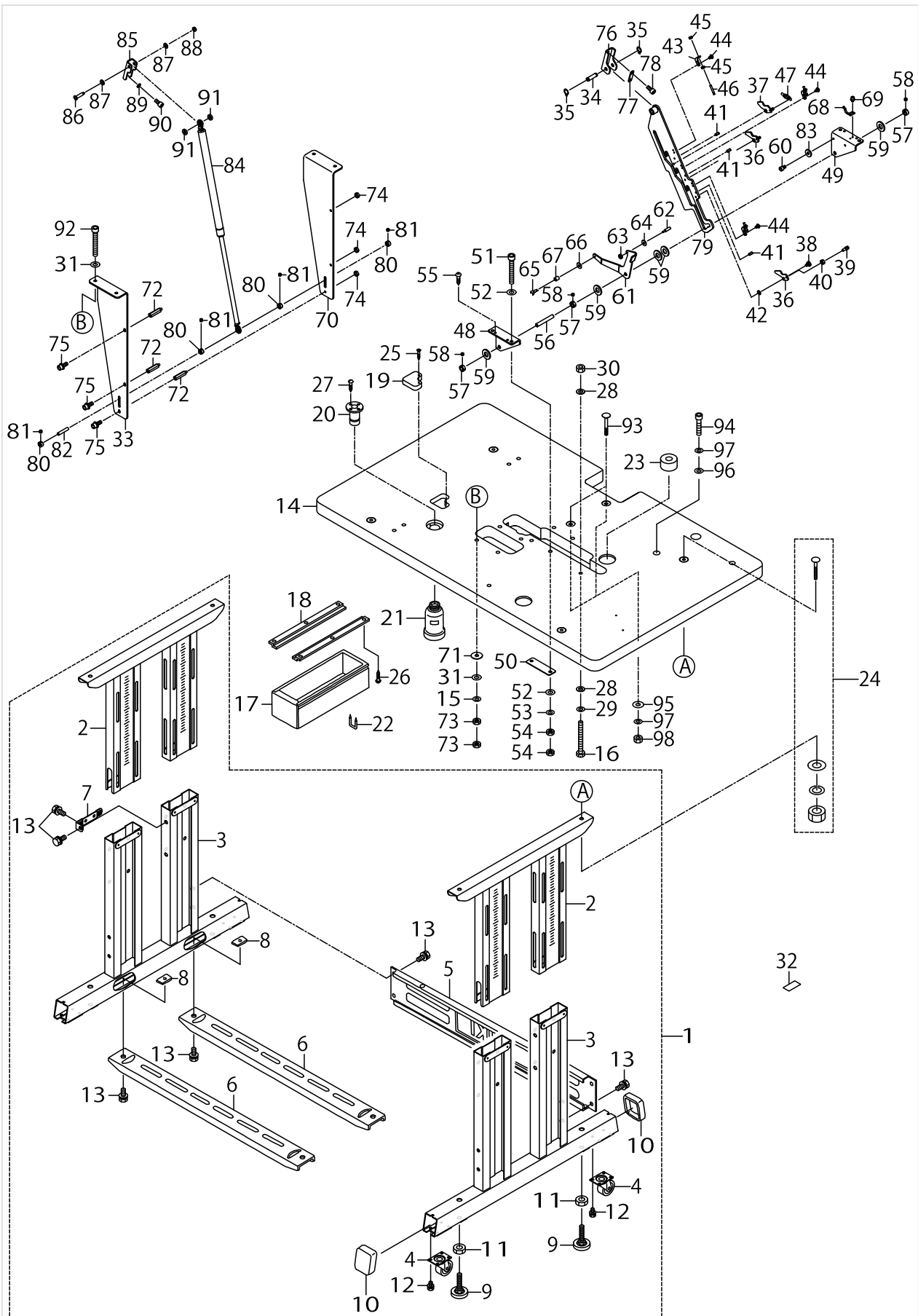
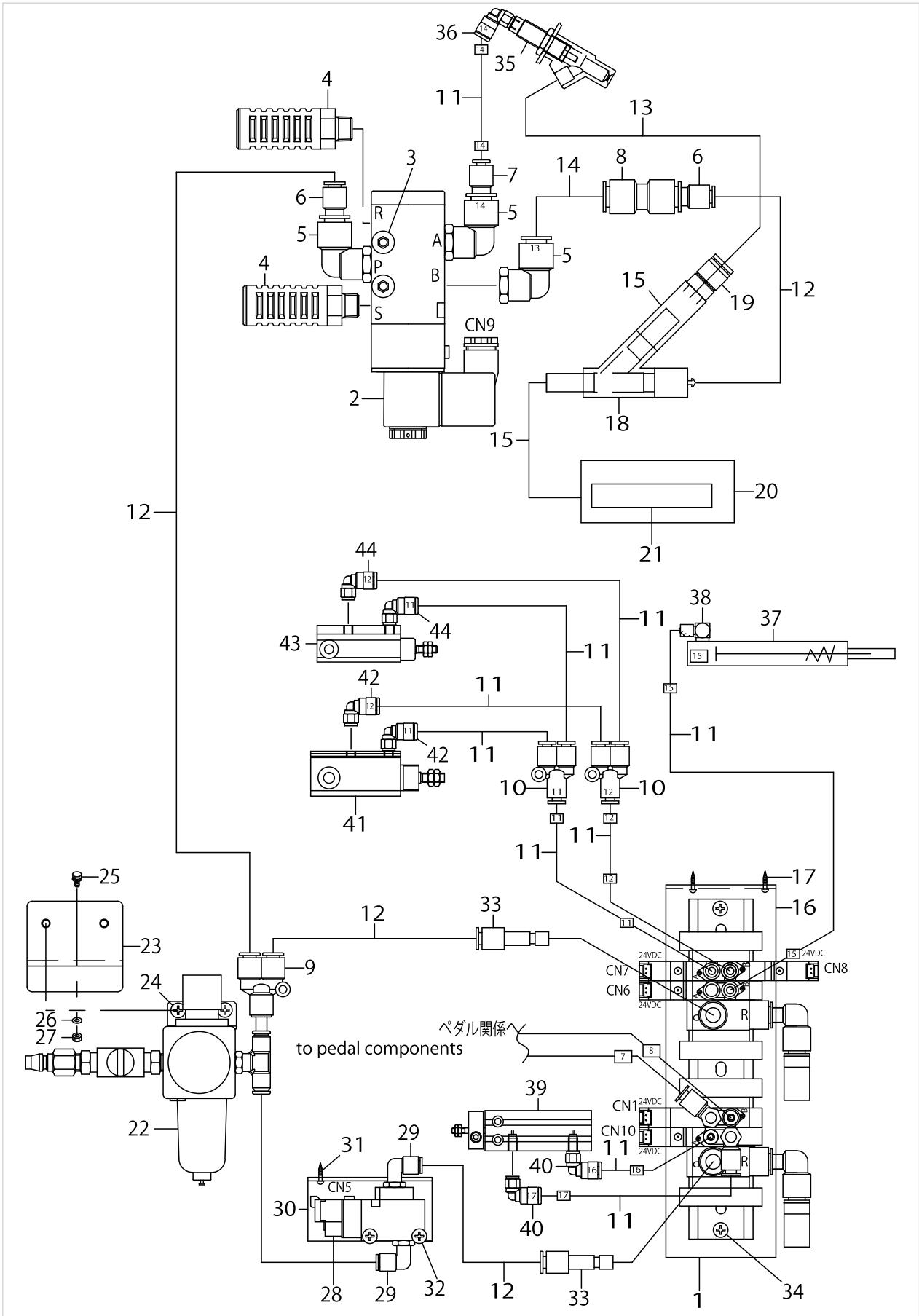


TABLE COMPONENTS

No.	Parts No.	Parts name	Remarks	Level	Cons	Qty
95	WP0852086SC	WASHER M8				2
96	WP0841601SC	WASHER 8.4X17.4X1.6				1
97	WS0820002KR	SPRING WASHER M8				3
98	NM6080002SC	NUT M8				2

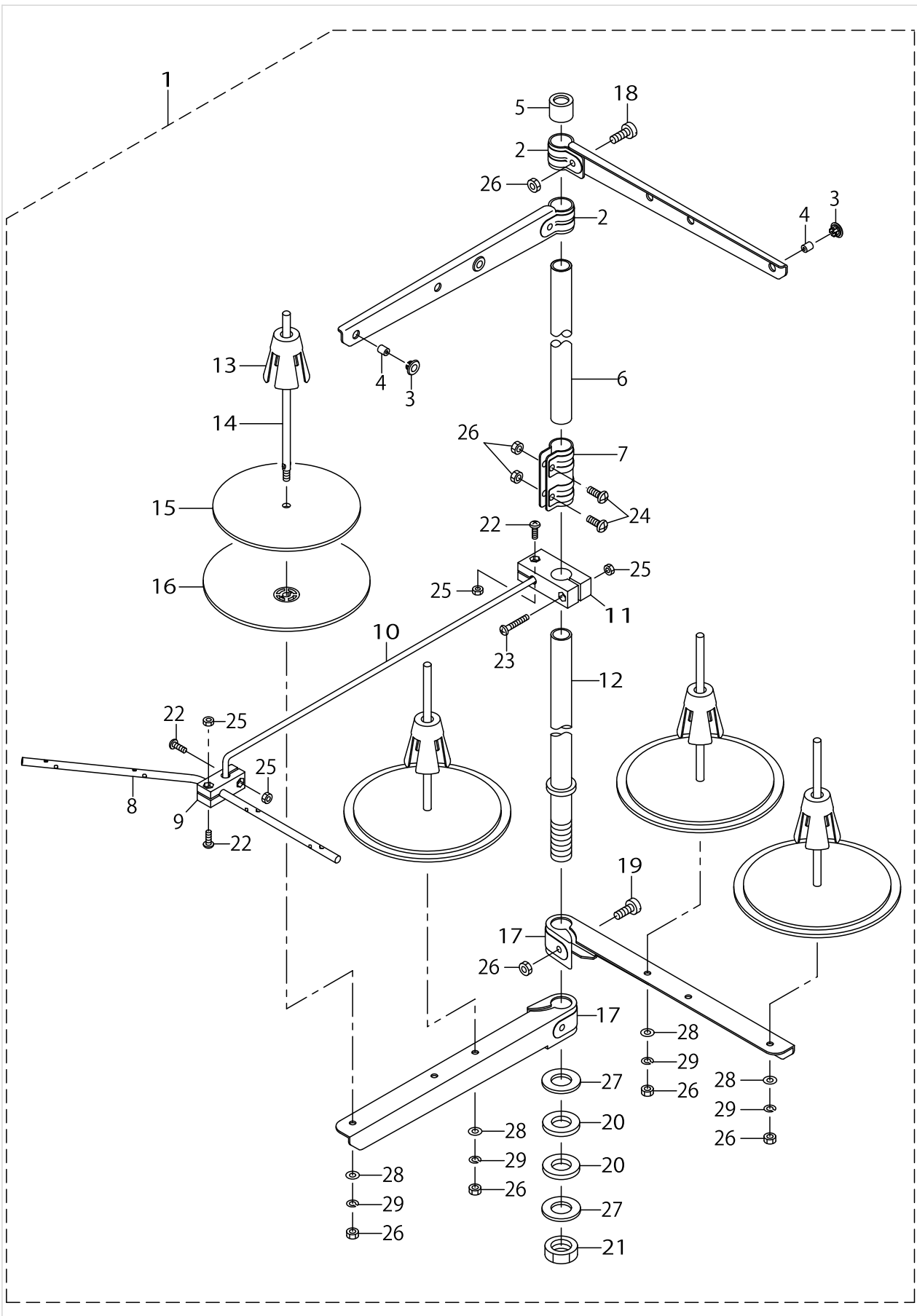
PNEUMATIC COMPONENTS



PNEUMATIC COMPONENTS

No.	Parts No.	Parts name	Remarks	Level	Cons	Qty
1	40140319	SOLENOID_VALVE_ASM.				1
2	PV155303000	5-PORT_SOLENOID_VALVE				1
3	SM6043002TN	SCREW				2
4	PX055202000	SILENCER				2
5	PJ304105301	ELBOW UNION				3
6	PJ301060004	REDUCER				2
7	PJ309040003	REDUCER 4-10				1
8	PJ303100002	STRAGHT				1
9	PJ308060004	Y UNION				1
10	PJ308040002	QUICK COUPLING				2
11	BT0400251EB	URETHANE HOSE BLACK				17
12	BT0600401EB	TUBE				2.5
13	BT0800501EB	VINYL TUBE				0.17
14	BT1000651EB	POLYURETHANE TUBE				1.1
15	BT1601001Z0	TUBE				1.3
16	40140304	SORENOID_VALVE_FITTING_BASE				1
17	SK3452500SC	WOOD SCREW D=4.5 L=25				2
18	F10120030A0	NOZZLE ASM.				1
19	PJ301080001	REDUCER				1
20	11428802	DUST BAG				1
21	40140307	DUST_BAG_COVER				1
22	40030951	FILTER_REGULATOR_ASM.				1
23	40023662	FILTER INSTALLING PLATE				1
24	SL4051091SC	SCREW M5X0.8 L=10				2
25	SL9082093SE	SCREW				1
26	WP0871602SE	WASHER 8.7X18X1.6				1
27	NM6080721SE	NUT M8				1
28	PV135129000	3-PORT SOLENOID VALVE				1
29	PJ304065101	ELBOW UNION 6XPT1/8				2
30	40105704	SOLENOID_INSTALLING_PLATE				1
31	SK3452500SC	WOOD SCREW D=4.5 L=25				2
32	SL4032591SC	SCREW M3X25				2
33	PJ301060003	REDUCER				1
34	SL4040891SC	SCREW M4 L=8				2
35	11429008	CLAMP CYLINDER				1
36	PJ304040504	ELBOW UNION				1
37	PA100102000	AIR CYLINDER				1
38	PJ046052503	HOSE ELBOW				1
39	40140278	WIPER				1
40	PJ304040504	ELBOW UNION				1
41	PA1601017A0	AIR CYLINDER				1
42	PJ304040504	ELBOW UNION				2
43	PA1001016A0	AIR CYLINDER (DIA10-10ST)				1
44	PJ304040504	ELBOW UNION				2

# THREAD STAND COMPONENTS

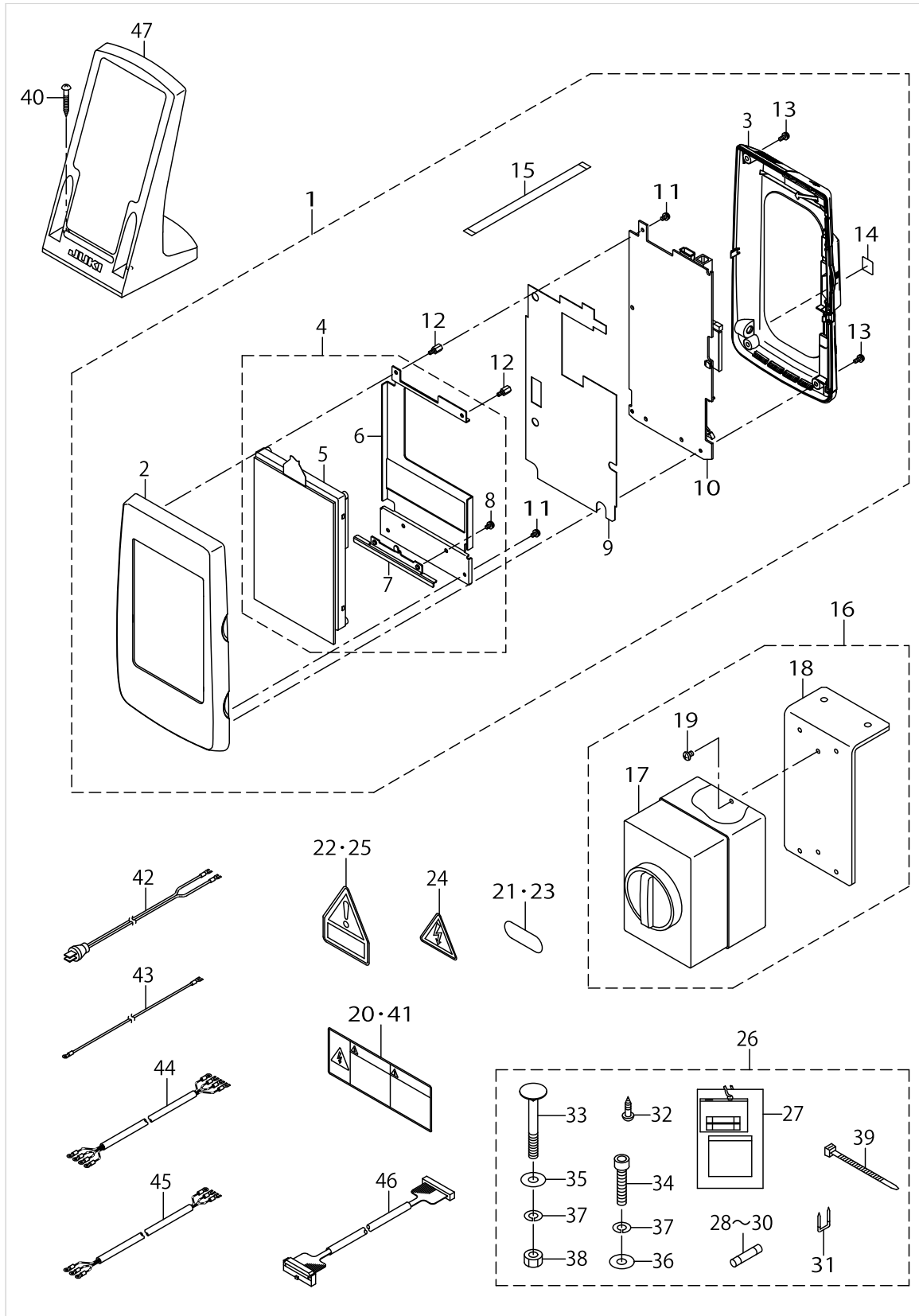


THREAD STAND COMPONENTS

No.	Parts No.	Parts name	Remarks	Level	Cons	Qty
1	40106590	THREAD STAND ASM.				1
2	40085787	SPOOL REST ARM UPPER		*		2
3	40085795	THREAD GUIDE BUSHING		*		4
4	40085794	THREAD GUIDE		*		4
5	40085793	SPOOL REST ROD RUBBER CAP		*		1
6	40085785	SPOOL REST ROD UPPER		*		1
7	40085792	SPOOL REST ROD JOINT		*		1
8	40106582	THREAD GUIDE 4		*		1
9	40106580	THREAD GUIDE UNDER BASE		*		1
10	40106576	THREAD GUIDE ARM		*		1
11	40106579	THREAD GUIDE ARM BASE		*		1
12	40085784	SPOOL REST ROD LOWER		*		1
13	40085791	SPOOL RETAINER		*		4
14	40085790	SPOOL PIN		*		4
15	40085789	SPOOL REST CUSHION		*		4
16	40085788	SPOOL REST		*		4
17	40085786	SPOOL REST ARM LOWER		*		2
18	40096327	SPOOL REST ARM UPPER SCREW		*		2
19	40096326	SPOOL REST ARM LOWER SCREW		*		2
20	40085796	SPOOL REST ROD RUBBER CUSHION		*		2
21	40096325	SPOOL REST ROD NUT		*		1
22	SM4041201SC	SCREW M4 L=12		*		3
23	SM4042501SC	SCREW M4X0.7 L=25		*		1
24	SM4051405SE	SCREW M5 L=14		*		2
25	NM6040002SC	NUT M4		*		4
26	NM6050001SE	NUT M5		*		10
27	WP1612616SE	WASHER 16X30X2.6		*		2
28	WP0531001SC	WASHER M5		*		4
29	WS0510002KN	SPRING WASHER M5		*		4



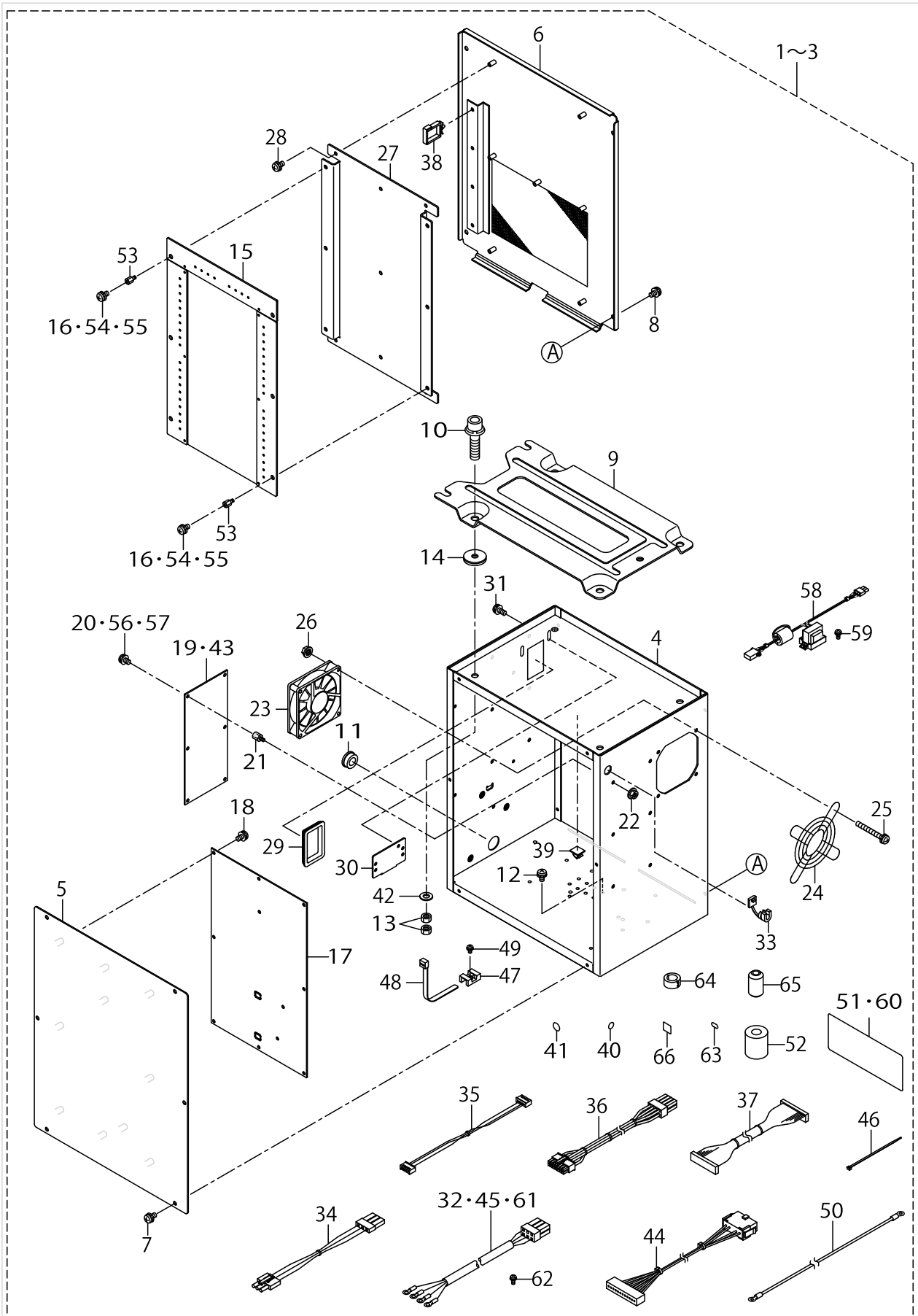
OPERATION PANEL COMPONENTS



OPERATION PANEL COMPONENTS

No.	Parts No.	Parts name	Remarks	Level	Cons	Qty
1	40145024	IP-420R PANEL ASSY				1
2	40078163	FRONT_CASE		*		1
3	40080799	REAR_CASE_ASSY		*		1
4	40080800	LCD_ASSY		*		1
5	40086541	LCD TOUCH PANEL ASSY	TECHNICAL INFOMATION (A16-029)	*		1
6	40083668	LCD_BRACKET	TECHNICAL INFOMATION (A16-029)	*		1
7	40083666	LCD_STAY		*		1
8	SL4030681SC	SCREW M3 L=6		*		2
9	40078168	INSULATION_SHEET		*		1
10	40083960	PANEL PCB ASSY		*		1
11	SL4030681SC	SCREW M3 L=6		*		3
12	HX00354000B	PCB SUPPORT L=8MM		*		2
13	SL4030881SC	SCREW M3X8		*		4
14	CM600100101	WEEE MARK LABEL S		*		1
15	HW002180200	FLAT CABLE		*		1
16	40081602	POWER SWITCH ASM				1
17	HA005820000	SWITCH		*		1
18	40081603	SWITCH INSTALLATION BOARD		*		1
19	SL4041091SE	SCREW M4 L=10		*		2
20	CM300100401	LABEL 3 (LARGE)	FOR USE IN JAPAN(1-PHASE)			1
21	BME01100000	VOLTAGE INDICATION SEAL	FOR USE IN JAPAN(1-PHASE)			1
22	CM300400701	VOLTAGE CAUTION LABEL	FOR USE IN JAPAN,JA			1
23	BME03200000	VOLTAGE INDICATION SEAL	FOR USE IN JAPAN,JA			1
24	CM300100003	VOLTAGE WARNING LABEL(25)	FORGENERALEXPORT			1
25	CM300400601	VOLTAGE CAUTION LABEL	FORGENERALEXPORT			1
26	40085316	OPTION A ASSY				1
27	M300451100A	VOLTAGE INDICATION CARD A		*		1
28	HF00130315S	FUSE 3.15A 250V REF. NO.112		*		1
29	HF003000200	FUSE 2A (220/240V)		*		1
30	HF0013050P0	FUSE 5A		*		1
31	MA011532000	STAPLE		*		5
32	SK3512001SE	WOOD SCREW D=5.1 L=20		*		2
33	MTSHJ100003	BOLT		*		2
34	SM6084002TN	SCREW M8 L=40		*		1
35	WP0852086SC	WASHER M8		*		2
36	WP0841601SC	WASHER 8.4X17.4X1.6		*		1
37	WS0820002KR	SPRING WASHER M8		*		3
38	NM6080002SC	NUT M8		*		2
39	HX00065000A	CABLE CLIP		*		2
40	SK3413201SE	WOOD SCREW D=4.1 L=32				2
41	CM300100401	LABEL 3 (LARGE)	FOR USE IN JAPAN,JA			1
42	40086468	POWER CABLE 1P PLUG ASSY	FOR USE IN JAPAN(1-PHASE)			1
43	M90345800A0	GROUND CORD ASM.	FOR USE IN JAPAN(1-PHASE)			1
44	40086469	POWER CABLE 3P ASSY	FOR USE IN JAPAN,JA			1
45	40086470	POWER CABLE 1P ASSY	FORGENERALEXPORT			1
46	40065566	PANEL CABLE D ASM.				1
47	40035024	OPERATION_BOX_FIXED_PLATE(B) ASM.				1

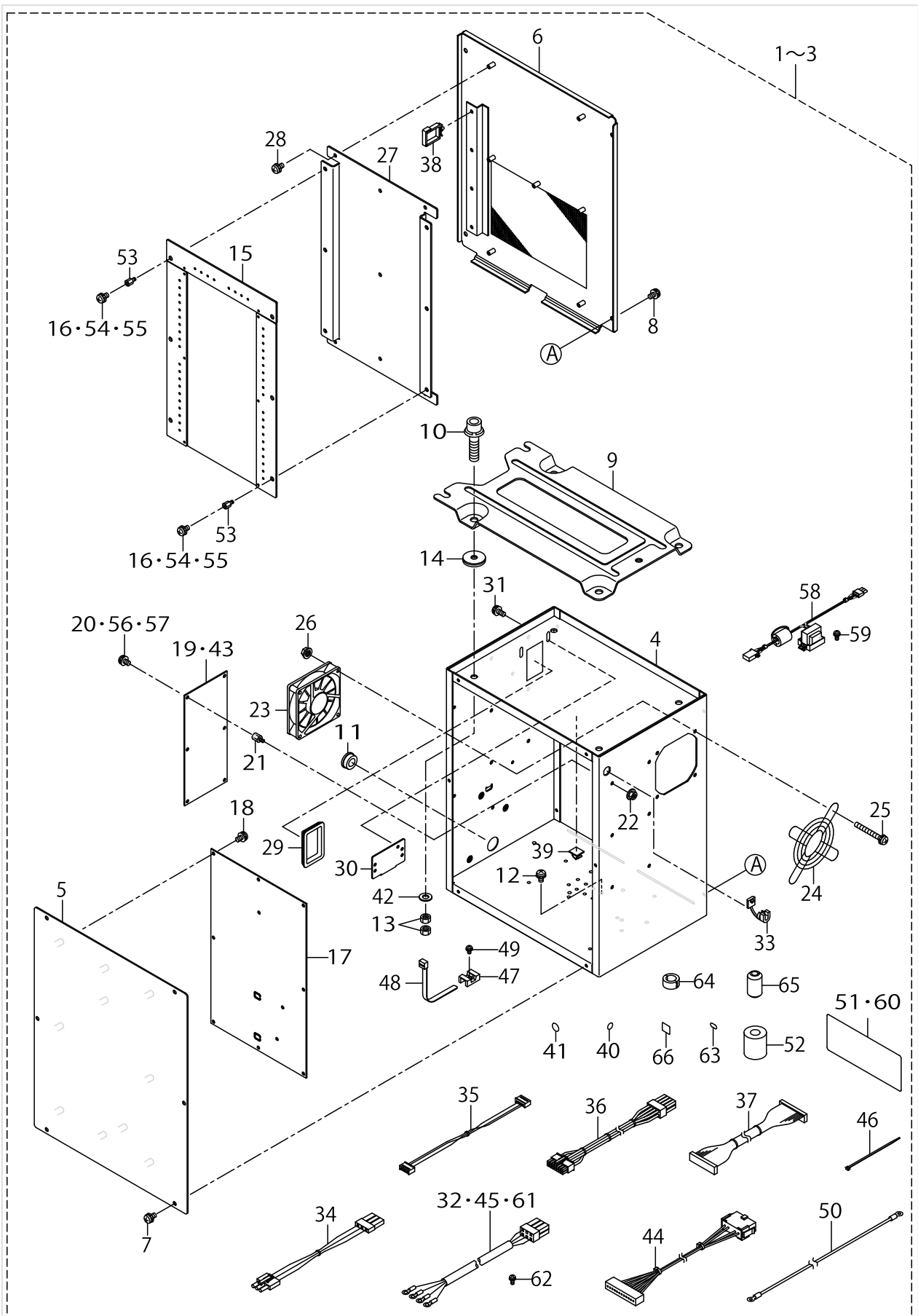
CONTROL BOX COMPONENTS



CONTROL BOX COMPONENTS

No.	Parts No.	Parts name	Remarks	Level	Cons	Qty
1	40145022	MC-588-3 BOX A	FOR MC-588-3 BOX A			1
2	40145023	MC-588-3 BOX C	FOR MC-588-3 BOX C			1
3	40163238	MC-588-3 BOX B	FOR MC-588-3 BOX B			1
4	40055355	CONTROL BOX		*		1
5	40094018	CONTROL BOX FRONT COVER		*		1
6	40094019	CONTROL BOX REAR COVER		*		1
7	SL4040891SC	SCREW M4 L=8		*		6
8	SL4040891SC	SCREW M4 L=8		*		4
9	M3801476000	TRANSMISSION BOX FITTING PLATE		*		1
10	SL6083092TN	SCREW		*		4
11	HX00326000K	GROMMET		*		1
12	SL4040891SC	SCREW M4 L=8		*		4
13	NM6080001SC	NUT M8X1.25		*		8
14	M4206461000	WASHER		*		4
15	40145026	MAIN PCB F ASSY		*		1
16	SL4040881SC	SCREW M4 L=8	FOR MC-588-3 BOX A,C	*		6
17	40082758	SDC PCB A ASSY		*		1
18	SL4040881SC	SCREW M4 L=8		*		10
19	40000056	FLT-T PCB A ASSY	FOR MC-588-3 BOX A	*		1
20	SL4040881SC	SCREW M4 L=8	FOR MC-588-3 BOX A,C	*		6
21	HX003390000	STUD		*		6
22	NM3040520SC	NUT M4		*		6
23	40005401	FAN MOTOR ASSY		*		1
24	KM000000480	FAN MOTOR		*		1
25	SL4043591SC	SCREW		*		4
26	NM3040520SC	NUT M4		*		4
27	40005706	MAIN PCB HOLDER PLATE		*		1
28	SL4040881SC	SCREW M4 L=8		*		5
29	HX004070000	BUSH		*		1
30	17845009	CORD FITTING PLATE		*		1
31	SL4041091SC	SCREW M4 L=10		*		2
32	40086465	POWER CORD 3P ASSY	FOR MC-588-3 BOX A	*		1
33	HX00410000A	STRAIN RELIEF BUSHING		*		1
34	40005393	FLT-SDC CORD P ASSY	FOR MC-588-3 BOX A,C	*		1
35	40005394	FLT-SDC CORD S ASSY		*		1
36	40005726	SDC-MAIN CORD P ASSY		*		1
37	40005727	SDC-MAIN CORD S ASSY		*		1
38	HX005110000	WIRE SADDLE		*		3
39	E9607603000	STICKER (SMALL)		*		1
40	E9567319000	EARTH MARK		*		1
41	40003458	MASK SEAL		*		15
42	WP0841601SC	WASHER 8.4X17.4X1.6		*		4
43	40162838	FLT-CE PCB A ASSY	FOR MC-588-3 BOX B,C	*		1
44	40073659	SW RELAY CORD ASM		*		1
45	40086467	POWER CORD 1P ASSY	FOR MC-588-3 BOX C	*		1
46	EA9500B0100	CABLE BAND		*		1
47	KX000000210	SADDLE TYPE TIE MOUNT		*		1

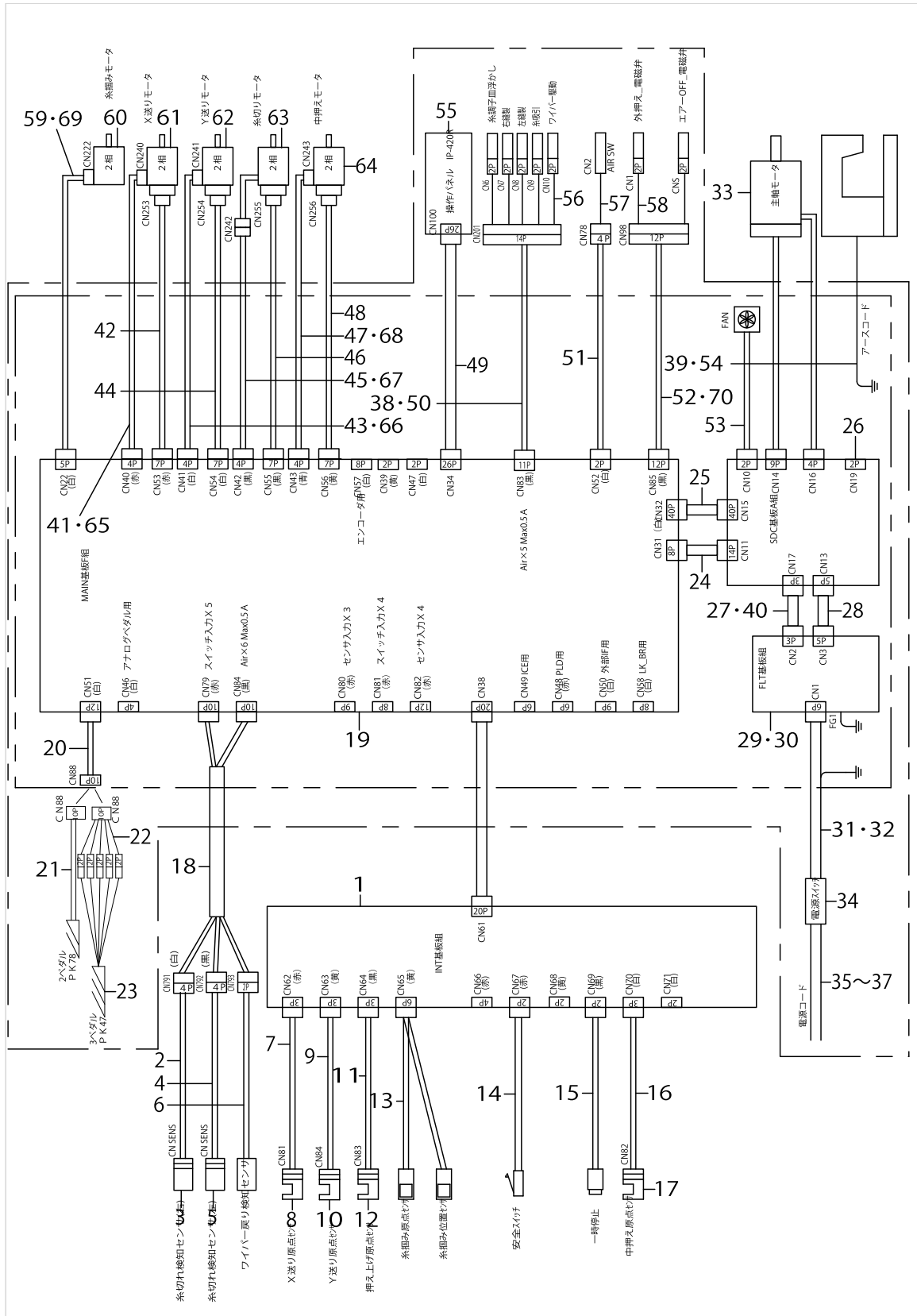
# CONTROL BOX COMPONENTS



CONTROL BOX COMPONENTS

No.	Parts No.	Parts name	Remarks	Level	Cons	Qty
48	KX000000230	RELEASIBLE CABLE TIE		*		1
49	SL4040881SC	SCREW M4 L=8		*		1
50	M90295800A0	FDD EARTH CORD ASM.		*		1
51	40051640	ELECTRICAL_RATING_LABEL_UNIVERSAL	FOR MC-588-3 BOX A,C	*		1
52	HN001490000	CLAMP FILTER(L)		*		1
53	HX00339000M	SPACER	FOR MC-588-3 BOX B	*		5
54	SL4040881SC	SCREW M4 L=8	FOR MC-588-3 BOX B	*		1
55	SL4041091SC	SCREW M4 L=10	FOR MC-588-3 BOX B	*		5
56	SL4040881SC	SCREW M4 L=8	FOR MC-588-3 BOX B	*		5
57	SL4041081SC	SCREW M4 L=10	FOR MC-588-3 BOX B	*		1
58	40163025	REACTOR CORD ASSY	FOR MC-588-3 BOX B	*		1
59	SL4040891SC	SCREW M4 L=8	FOR MC-588-3 BOX B	*		2
60	40057278	ELECTRICAL_RATING_LABEL_CE_UNIVERSAL	FOR MC-588-3 BOX B	*		1
61	40086466	POWER CORD JE ASSY	FOR MC-588-3 BOX B	*		1
62	SL4041081SC	SCREW M4 L=10	FOR MC-588-3 BOX B	*		1
63	CM200100001	PE MARK LABEL	FOR MC-588-3 BOX B	*		1
64	HN002460000	CORES	FOR MC-588-3 BOX B	*		1
65	HN002840000	CORES	FOR MC-588-3 BOX B	*		1
66	CM600100101	WEEE MARK LABEL S	FOR MC-588-3 BOX B	*		1

# WIRING DIAGRAM

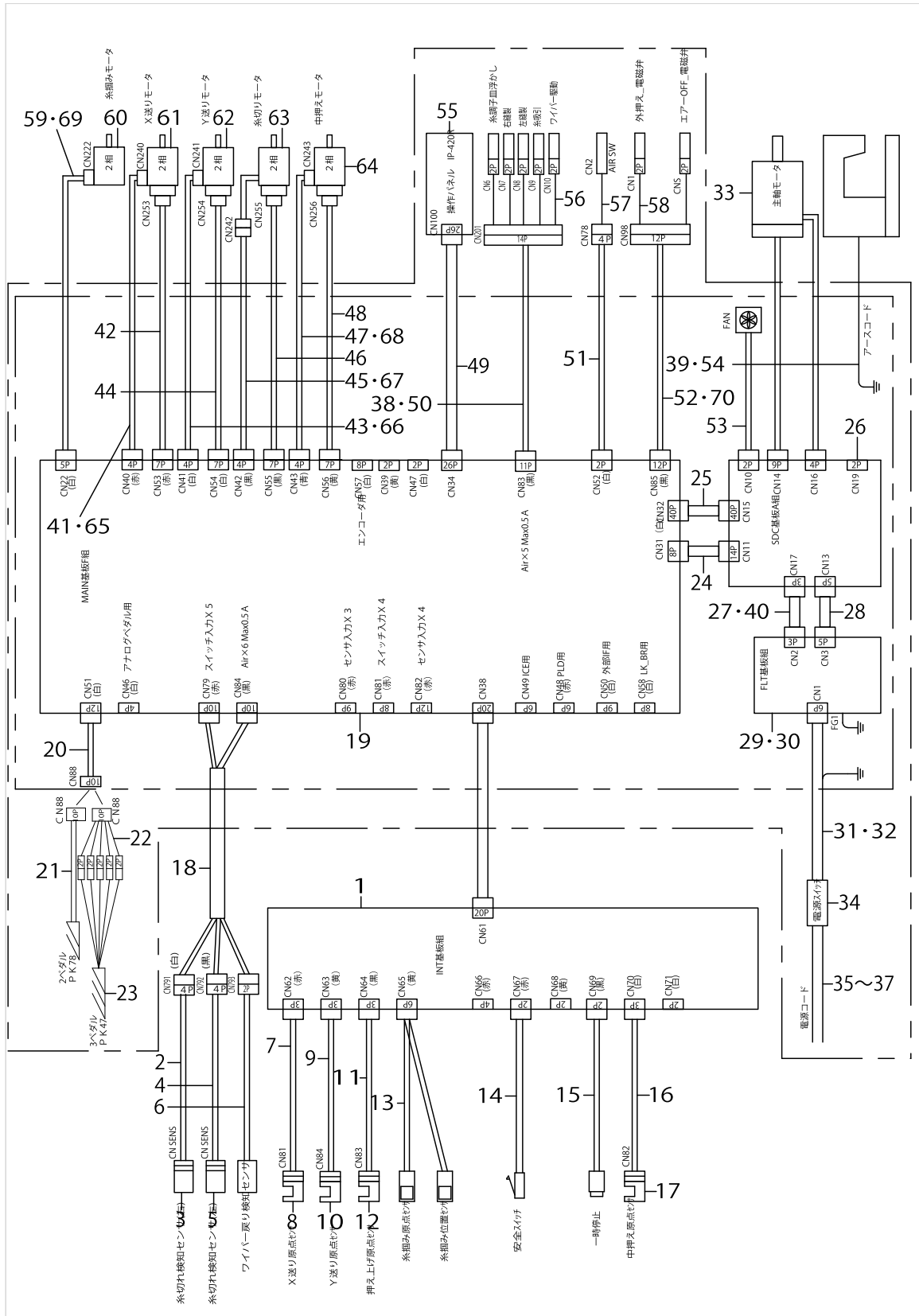


WIRING DIAGRAM

No.	Parts No.	Parts name	Remarks	Level	Cons	Qty
1	40040230	INT PCB ASM.				1
2	40140986	SENSOR CABLE R ASM.				1
3	40140984	YARN MOVEMENT SENSOR				1
4	40140987	SENSOR CABLE L ASM.				1
5	40140984	YARN MOVEMENT SENSOR				1
6	40140989	WIPER SENSOR ASM.				1
7	40040222	X SENSOR CABLE ASM.				1
8	HD00057000A	PHOTO SENSOR				1
9	40040223	Y SENSOR CABLE ASM.				1
10	HD00057000A	PHOTO SENSOR				1
11	40040238	PF_SENSOR_CABLE_ASM.				1
12	HD00057000A	PHOTO SENSOR				1
13	40040224	TH SENSOR ASM.				1
14	40029633	SAFETY SW CORD ASM.				1
15	40040242	STOP SW ASM.				1
16	40040240	IP SENSOR CABLE ASM.				1
17	HD00057000A	PHOTO SENSOR				1
18	40140981	SENSOR RELAY CABLE ASM.				1
19	40145026	MAIN PCB F ASSY				1
20	40073659	SW RELAY CORD ASM.				1
21	40033831	PK78 PEDAL SWITCH ASM.				1
22	40033875	PK47 RELAY CABLE ASM.				1
23	GPK470010AB	3-PEDAL ASM.				1
24	40005726	SDC-MAIN CORD P ASSY				1
25	40005727	SDC-MAIN CORD S ASSY				1
26	40082758	SDC PCB A ASSY				1
27	40005393	FLT-SDC CORD P ASSY				1
28	40005394	FLT-SDC CORD S ASSY				1
29	40000056	FLT-T PCB A ASSY	FOR 3-PHASE/1-PHASE			1
30	40162838	FLT-CE PCB A ASSY	FOR 1-PHASE			1
31	40086465	POWER CORD 3P ASSY	FOR 3-PHASE			1
32	40086467	POWER CORD 1P ASSY	FOR 1-PHASE			1
33	40052937	550W_SERVO_MOTOR				1
34	40081602	POWER SWITCH ASM.				1
35	40086468	POWER CABLE 1P PLUG ASSY	FOR 1-PHASE(100V)			1
36	40086469	POWER CABLE 3P ASSY	FOR 3-PHASE(200V/220V)			1
37	40086470	POWER CABLE 1P ASSY	FOR GENERAL EXPORT			1
38	40163233	SOLENOID VALVE RELAY CABLE ASM	FOR JE			1
39	M90195800A0	EARTH CABLE ASM.	FOR JE			1
40	40163025	REACTOR CORD ASSY	FOR JE			1
41	40083865	X MOTOR CABLE ASM.				1
42	40083870	X ENCODER CABLE ASM.				1
43	40083866	Y MOTOR CABLE ASM.				1
44	40083871	Y ENCODER CABLE ASM.				1
45	40083867	TT MOTOR CABLE ASM.				1
46	40083872	TT ENCODER CABLE ASM.				1
47	40083868	IP MOTOR CABLE ASM.				1



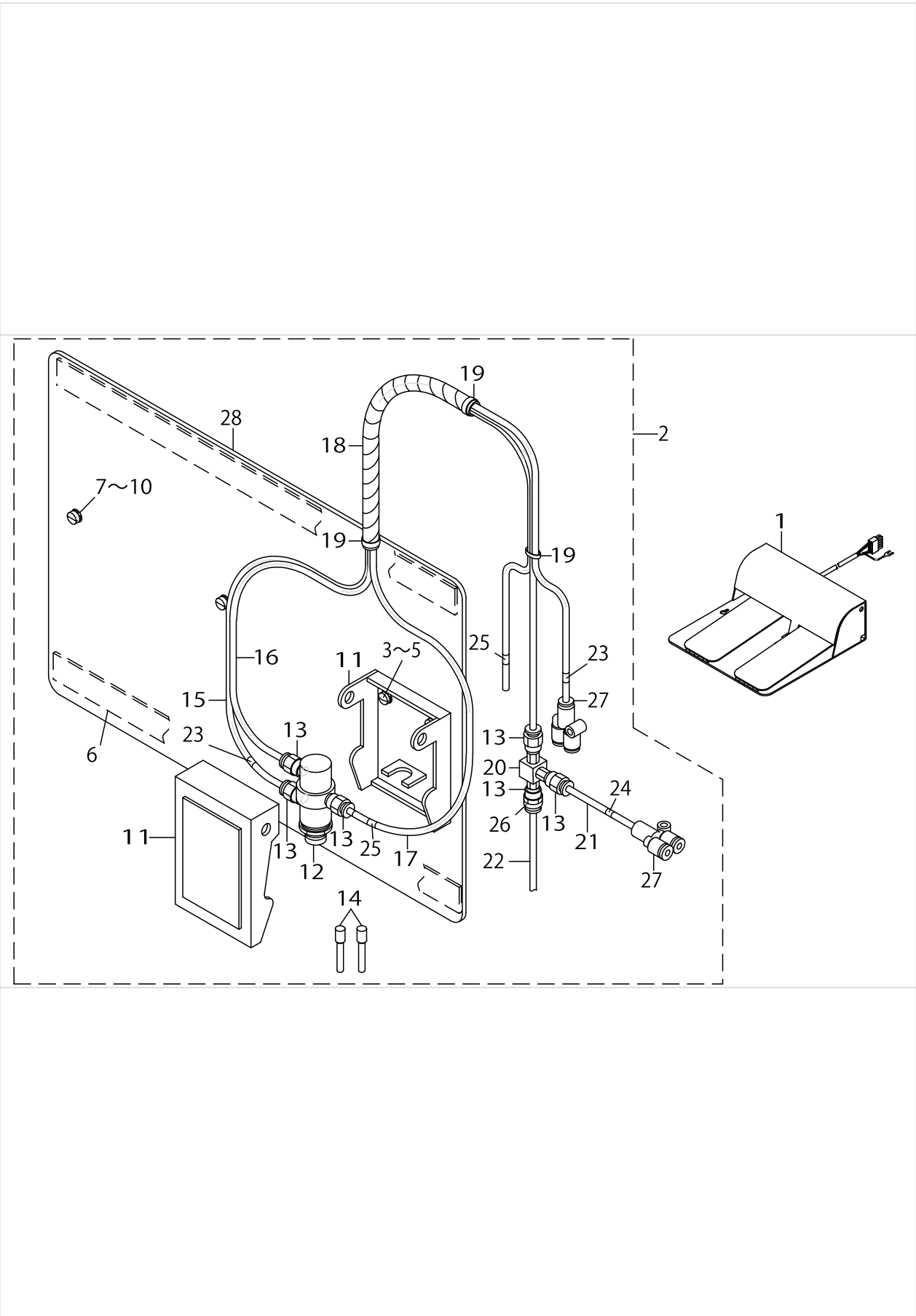
WIRING DIAGRAM



WIRING DIAGRAM

No.	Parts No.	Parts name	Remarks	Level	Cons	Qty
48	40083873	IP ENCODER CABLE ASM.				1
49	40065566	PANEL CABLE D ASM.				1
50	40097984	SOLENOID VALVE RELAY CABLE ASM.				1
51	40093109	AIR SW CABLE ASM.				1
52	40081601	AIR RELAY CABLE ASM.				1
53	40005401	FAN MOTOR ASSY				1
54	40005712	EARTH CODE ASM.				1
55	40145024	IP-420R PANEL ASSY				1
56	40140982	SOLENOID VALVE CORD 1 ASM.				1
57	40030951	FILTER_REGULATOR_ASM.				1
58	40140983	SOLENOID VALVE CORD 2 ASM.				1
59	40083869	TH MOTOR CABLE ASM.				1
60	40085033	STEPPING MOTOR				1
61	40071945	STEPPING MOTOR				1
62	40071945	STEPPING MOTOR				1
63	40071944	STEPPING MOTOR				1
64	40085032	STEPPING MOTOR				1
65	40163089	X MOTOR CABLE ASM	FOR JE			1
66	40163090	Y MOTOR CABLE ASM	FOR JE			1
67	40163091	TT MOTOR CABLE ASM	FOR JE			1
68	40163092	IP MOTOR CABLE ASM	FOR JE			1
69	40178385	TH MOTOR CABLE ASM CE	FOR JE			1
70	40163061	AIR RELAY CABLE ASM	FOR JE			1

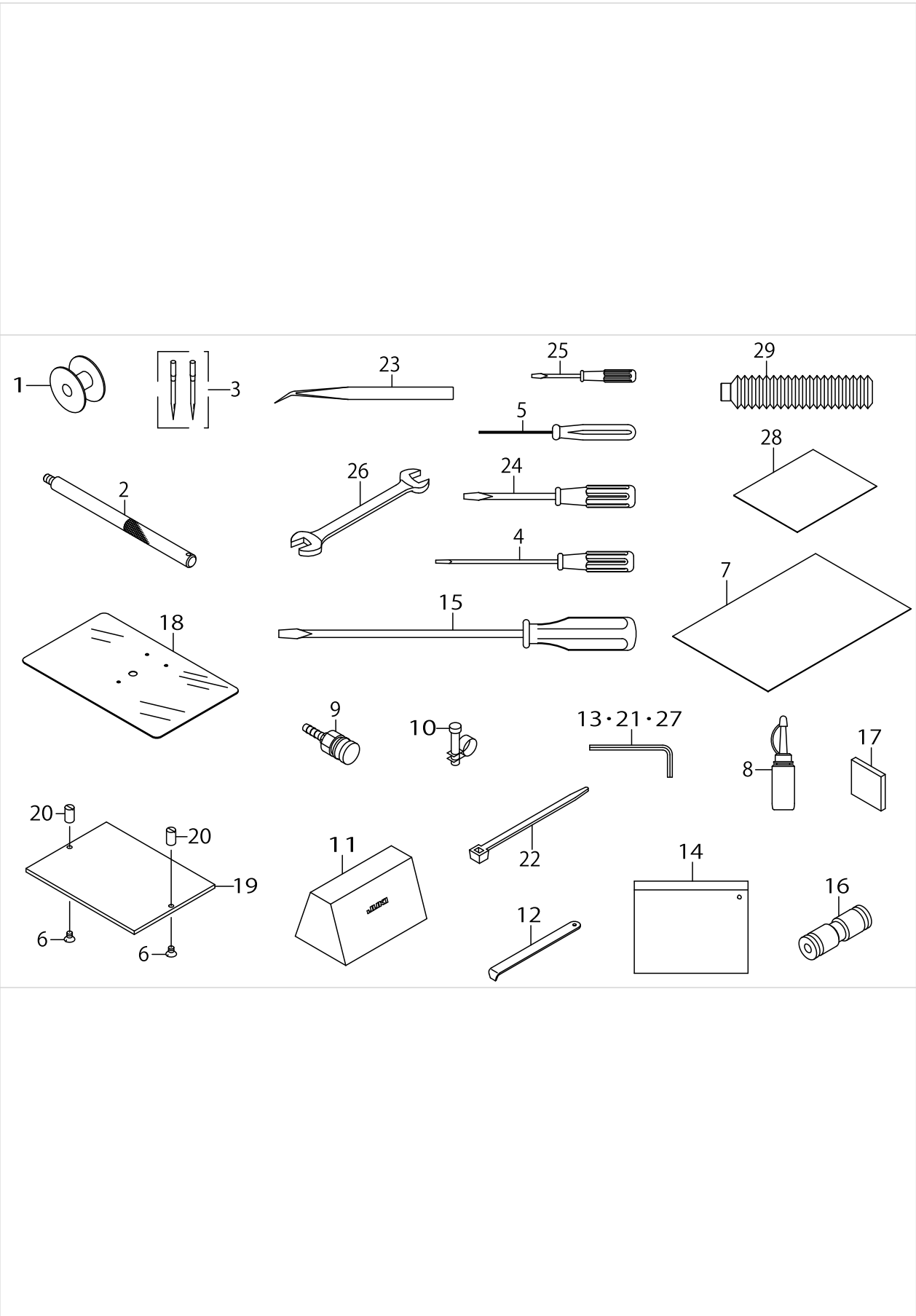
PEDAL COMPONENTS



PEDAL COMPONENTS

No.	Parts No.	Parts name	Remarks	Level	Cons	Qty
1	40033831	PK78 PEDAL SWITCH ASM.				1
2	40042352	MECHANICAL VALVE UNIT				1
3	WP0450801SD	WASHER 4.5X10X0.8		*		2
4	WS0451040KP	SPRING WASHER 4.5X8.5X1		*		2
5	SS7111120TP	SCREW		*		2
6	D8002D15A0Y	PEDAL CUSHION		*		2
7	SS6111210SP	SCREW 11/64-40 L=12		*		2
8	WP0450801SD	WASHER 4.5X10X0.8		*		2
9	WS0451040KP	SPRING WASHER 4.5X8.5X1		*		2
10	WP0553216SD	WASHER		*		2
11	PX020002000	ACTUATOR		*		1
12	PV010502000	AIR VALVE		*		1
13	PJ301040501	HALF UNION M5 D=4		*		6
14	PX500014000	PLUG		*		2
15	BT0400251EB	URETHANE HOSE BLACK		*		1.9
16	BT0400251EB	URETHANE HOSE BLACK		*		1.8
17	BT0400251EB	URETHANE HOSE BLACK		*		1.9
18	HX00314000A	SPIRAL TUBE		*		0.6
19	EA9500B0100	CABLE BAND		*		3
20	GEP01013000	VALVE		*		1
21	BT0400251EB	URETHANE HOSE BLACK		*		0.1
22	BT0400251EB	URETHANE HOSE BLACK		*		0.1
23	18035204	WIRE MARK (3)		*		2
24	18035303	WIRE MARK (4)		*		1
25	18035600	WIRE MARK (7)		*		2
26	18035709	WIRE MARK (8)		*		1
27	PJ308040002	QUICK COUPLING		*		2
28	D8001D15A0Y	PEDAL BASE		*		1

ACCESSORIE PART COMPONENTS



ACCESSORIE PART COMPONENTS

No.	Parts No.	Parts name	Remarks	Level	Cons	Qty
1	B1806210D00	BOBBIN			☆	1
2	40044920	HEAD GRIP				1
3	MDP170B1802	NEEDLE DPX17#18-2			☆	1
4	12347308	SCREW DRIVER (SMALL)				1
5	40032763	HEXAGONAL_DRIVER(1.5)				1
6	SM1040650TP	SCREW				2
7	B2564223C00	SPONGE			☆	1
8	B91212200A0	OILER (CONTAINING NO.2 OIL)				1
9	PJ309520001	SOCKET				1
10	PB000010000	HOSE BAND				1
11	40027770	VINYL COVER				1
12	B9101490000	DRIVER				1
13	B9141372000	HEXAGONAL WRENCH LARGE				1
14	22932800	ACCESSORIE BAG				1
15	22933006	SCREW DRIVER LARGE				1
16	PJ303040002	STRAIGHT UNION				4
17	40055573	CF CARD SET AMS210E				1
18	40033185	COVER_SEET				1
19	40035094	PLASTIC_BLANK_3020				1
20	40051836	INSTALLING_PIN				2
21	GCT02906000	HEXAGONAL SPANNER				1
22	EA9500B0100	CABLE BAND				1
23	12288403	TWEEZERS				1
24	22933105	SCREW DRIVER MIDDLE				1
25	22933204	SCREW DRIVER SMALL				1
26	B9113012000	WRENCH (9X10)				1
27	B9140372000	HEXAGONAL WRENCH SMALL				1
28	B2591220000	RUBBER SHEET				1
29	40097886	GREASE				1

LIST FOR INFORMATION OF CHANGE

As to the place changed, refer to the corresponding Rev.No.  
 When previous parts(Obsoleted part)and new parts(Added parts)are  
 not interchangeable with each other:  
 In this case,even obsoleted parts(D.)can be ordered with the  
 obsoleted part number,so select the parts with changed dates and  
 place your orders.

変更箇所は、該当Rev.No.版をご参照ください。  
 部品の互換性がない変更の場合は、削除された品番でも、ご注文できます。

40142417  
 No.1648-05 Rev.No.

\*A:Added parts追加部品/D:Obsoleted parts削除部品/E:Erratum訂正

* Rev. No.	Page 頁	Ref. No.	Parts No. 品番	* Rev. No.	Page 頁	Ref. No.	Parts No. 品番
D 04	44	3	400-62368				
				A 05	44	3	401-63238
D 04	44	43	400-00046	A 05	44	43	401-62838
D 04	44	44	HX-0041800-0E				
D 04	44	46	HX-0014700-0J				
D 04	44	50	SL-4030881-SC				
D 04	44	56	400-81580				
D 04	44	57	400-62367				
				A 05	44	53	HX-0033900-0M
				A 05	44	54	SL-4040881-SC
				A 05	44	55	SL-4041091-SC
				A 05	44	56	SL-4040881-SC
				A 05	44	57	SL-4041081-SC
				A 05	44	58	401-63025
				A 05	44	59	SL-4040891-SC
				A 05	44	60	400-57278
				A 05	44	61	400-86466
				A 05	44	62	SL-4041081-SC
				A 05	44	63	CM-2001000-01
				A 05	44	64	HN-0024600-00
				A 05	44	65	HN-0028400-00
				A 05	44	66	CM-6001001-01
D 04	46	30	400-00046	A 05	46	30	401-62838
D 04	46	38	400-62368				
D 04	46	39	400-62367				
D 04	46	40	400-81580				
D 04	46	69	401-63024	A 05	46	69	401-78385
D 04	46	72	401-63063	A 05	46	39	M9019-580-0A0

## HOW TO MAKE USE OF THIS PARTS LIST

1.Explanation of codes

1)\*\*mark.....means this part is changed from the previous parts book.  
As to the details of the change, refer to the "List for information of change".

2)"#01".....refer to "Note" explanation at bottom of page.

2.Codes on the "Qty" column

- Each numeral indicates the number of parts required.
- "0.1" and "2.5" indicate the length (in meters) of the respective parts.

3.Parentheses mean that the corresponding part is a subpart that constructs an assembly part.

4.Dotted lines on the Figures indicate assembly parts.

5.As to the parts with marks of "☆"(consumable parts) and "◎"(optional parts)on the respective parts, it is recommended to prepare spares.

1."注記"欄の記号説明

- 1) "＊"印.....前回のパーツブックに比較して今回変更された部品を意味します。  
変更内容は、"変更情報リスト"を参照してください。
- 2) "#01".....ページ下の"注記"の説明を参照してください。

2.数量欄の数字は、個数を表し、0.1、2.5等の数値は、長さ（単位メートル）を表します。

3.数量欄の（ ）は、組部品を構成している子部品であることを意味します。

4.イラストページの-----枠は、組構成であることを意味します。

5.リストページの"☆"（消耗部品）、"◎"（オプション部品）の印がついた部品は、予備を準備しておくことをお奨めします。



# NUMERICAL INDEX OF PARTS

PART NO	PAGE	REF NO.	PART NO	PAGE	REF NO.	PART NO	PAGE	REF NO.
10108009	14	22	18035709	82	26	26501858	32	18
10124204	38	24	22617609	38	11	40000056	74	19·43
10124303	38	25	22617708	38	12	40000056	78	29·30
10232502	18	7	22617807	38	14	40003458	74	41
10502300	2	35	22617906	38	35	40003970	28	46
10523702	62	42	22618201	38	32	40005393	74	34
10697605	38	4	22618300	38	33	40005393	78	27·40
10741106	38	26	22618706	38	5	40005394	74	35
11045101	38	27	22618805	38	9	40005394	78	28
11072402	6	29	22618904	38	18	40005401	74	23
11072402	38	28	22687701	54	21	40005401	80	53
11155108	62	17	22901805	6	3	40005706	74	27
11155207	62	18	22902506	2	4	40005712	6	35
11158300	62	5	22918304	16	56	40005712	80	39·54
11158409	62	6	22932800	84	14	40005726	74	36
11158516	62	7	22933006	84	15	40005726	78	24
11272408	54	18	22933105	84	24	40005727	74	37
11427705	36	12	22933204	84	25	40005727	78	25
11428505	36	11	23517501	42	4	40006317	32	9
11428802	68	20	23517600	42	5	40006323	4	53·54
11429008	36	8	23517709	42	6	40006484	2	39
11429008	68	35	23517808	42	7	40006497	8	40
11429305	36	10	23630007	32	25	40006515	14	29
11957008	38	29	23638109	8	39	40006516	14	31
12288403	84	23	23638208	8	41	40006532	16	53
12347308	84	4	23638406	8	42	40006555	14	17
13122403	24	23	26017707	58	5	40006561	14	23
13122452	24	22	26023408	58	7	40006567	32	5
13508700	8	13	26211904	2	20	40006569	32	6
13529607	32	26	26221101	8	15	40006576	32	31
13816855	8	12	26221200	8	14	40006577	32	22
13888201	62	47	26226506	62	46	40006578	32	45
14103352	32	39	26260109	6	5	40006666	42	46
14103907	32	21	26260208	6	6	40006761	46	1
14104004	32	19	26260307	6	7	40006780	46	11
14113450	6	31	26260406	6	8	40006836	10	61
14113468	6	28	26260505	6	9	40006840	8	36
16870206	62	32	26260604	6	10	40010405	2	29
16992604	54	19	26260703	6	11	40010414	4	63
17007402	62	8	26260802	6	12	40010415	14	5
17833658	62	9	26261206	6	16	40010418	14	7
17845009	74	30	26261305	6	17	40010421	14	20
18035204	82	23	26261503	6	18	40010422	14	9
18035303	82	24	26261602	6	19	40010423	14	10
18035600	82	25	26261701	6	20	40010424	14	11

# NUMERICAL INDEX OF PARTS

PART NO	PAGE	REF NO.	PART NO	PAGE	REF NO.	PART NO	PAGE	REF NO.
40010425	14	12	40025426	28	27	40032163	12	3
40010426	14	13	40025428	24	11	40032167	12	8
40010427	14	14	40025429	24	26	40032168	12	2
40010437	14	36	40025431	26	59	40032174	8	20
40010438	14	37	40026113	28	41	40032177	12	28
40010439	14	38	40026817	28	4	40032178	12	29
40010440	14	39	40026818	14	24	40032180	28	17
40010443	42	18	40026819	28	9	40032181	28	23
40010464	32	2	40026829	10	57	40032182	34	67
40010471	32	28	40026830	10	58	40032184	34	59
40010472	32	30	40026831	10	59	40032185	34	57
40010527	46	22	40027770	84	11	40032186	42	15
40010528	46	23	40027870	28	37	40032187	46	26
40010533	14	33	40027971	2	37	40032191	56	58
40010590	46	10	40028338	6	4	40032192	54	3
40011152	46	24	40028877	2	28	40032197	54	7
40011205	64	62	40029419	24	36	40032200	50	43
40011926	62	39	40029420	28	5	40032203	54	9
40012815	46	19	40029633	8	45	40032205	50	3
40012965	24	19	40029633	78	14	40032209	50	37
40013640	4	53·54	40030615	28	15	40032210	54	13
40014963	32	40	40030616	26	62	40032215	54	16
40014965	34	41·49	40030617	24	4	40032216	54	17
40015800	46	5	40030620	24	31	40032218	50	25
40016705	64	72	40030621	26	55	40032219	50	10
40023624	42	13	40030625	28	1	40032221	54	23
40023631	26	49	40030626	28	2	40032223	50	40
40023635	58	8	40030627	28	3	40032229	58	16
40023644	58	3	40030628	26	63~65	40032230	58	17
40023662	68	23	40030629	26	63~65	40032238	50	23
40023865	6	13	40030630	26	63~65	40032239	50	4
40023866	6	14	40030828	2	8	40032240	50	35
40024063	32	7	40030829	6	15	40032483	28	6
40024988	24	29	40030933	42	23·24	40032763	84	5
40024989	28	24	40030934	42	27	40032839	60	11
40024991	24	40	40030936	42	1	40032840	60	12
40024997	8	9	40030942	46	17	40032843	60	24
40025011	24	13	40030943	46	15	40033069	46	39
40025012	24	5	40030951	68	22	40033182	8	37
40025016	28	31	40030951	80	57	40033183	8	38
40025415	24	8	40031336	4	52	40033185	84	18
40025418	28	33	40032158	2	1	40033186	12	5
40025419	30	48	40032159	2	26	40033831	78	21
40025420	28	44	40032161	10	53	40033831	82	1
40025423	30	60	40032162	12	1	40033875	78	22

NUMERICAL INDEX OF PARTS

PART NO	PAGE	REF NO.	PART NO	PAGE	REF NO.	PART NO	PAGE	REF NO.
40034846	32	12	40052937	78	33	40083866	78	43·66
40035024	72	47	40055355	74	4	40083867	78	45·67
40035094	84	19	40055573	84	17	40083868	78	47·68
40035160	46	34	40057278	76	51·60	40083869	80	59·69
40035161	46	28	40057368	54	4	40083870	78	42
40035705	12	4	40057370	54	5	40083871	78	44
40036110	4	55	40057371	54	6	40083872	78	46
40036117	32	37	40057380	10	52	40083873	80	48
40036118	32	47	40061991	32	41·49	40083960	72	10
40039546	8	27	40065566	72	46	40084115	2	31
40039547	8	26	40065566	80	49	40085032	80	64
40040082	46	43	40068832	26	66	40085033	46	30
40040222	50	29	40068834	24	28	40085033	80	60
40040222	78	7	40068835	24	7	40085316	72	26
40040223	78	9	40071944	80	63	40085784	70	12
40040224	46	33	40071945	80	62	40085785	70	6
40040224	78	13	40072009	32	4	40085786	70	17
40040230	8	47	40072211	42	19	40085787	70	2
40040230	78	1	40072228	42	10	40085788	70	16
40040238	78	11	40073081	28	47	40085789	70	15
40040240	30	52	40073082	50	28	40085790	70	14
40040240	78	16	40073085	42	23·24	40085791	70	13
40040242	2	33	40073659	74	44	40085792	70	7
40040242	78	15	40073659	78	20	40085793	70	5
40040256	42	8	40076232	46	16	40085794	70	4
40042352	82	2	40076233	46	3	40085795	70	3
40042716	20	89	40076235	46	4	40085796	70	20
40043096	56	62	40076236	46	12	40086365	62	43
40043321	30	55	40076237	46	9	40086367	8	29
40043869	32	1	40076239	46	14	40086465	74	32·45·61
40044186	58	1	40078108	54	8	40086465	78	31·32
40044920	84	2	40078133	24	43	40086466	76	32·45·61
40051473	14	46	40078163	72	2	40086467	74	32·45·61
40051499	8	18	40078168	72	9	40086467	78	31·32
40051500	60	18	40080799	72	3	40086468	72	42
40051501	10	51	40080800	72	4	40086468	78	35~37
40051502	8	19	40081601	80	52·70	40086469	72	44
40051536	64	91	40081602	72	16	40086469	78	35~37
40051640	76	51·60	40081602	78	34	40086470	72	45
40051769	60	27	40081603	72	18	40086470	78	35~37
40051770	60	21	40082758	74	17	40086541	72	5
40051782	60	29	40082758	78	26	40089365	32	13
40051836	84	20	40083666	72	7	40089367	14	16
40051987	2	40	40083668	72	6	40089777	50	2
40052937	14	40	40083865	78	41·65	40089778	50	44

# NUMERICAL INDEX OF PARTS

PART NO	PAGE	REF NO.	PART NO	PAGE	REF NO.	PART NO	PAGE	REF NO.
40089779	50	5	40121767	56	66	40140265	24	47
40089782	64	85	40140204	20	75	40140266	26	69
40089783	64	84	40140205	26	58	40140267	24	46
40089784	64	86	40140207	4	57	40140268	24	44
40089785	64	76	40140208	24	1	40140273	28	42
40089786	64	48	40140210	28	8	40140274	24	14
40089787	64	49	40140212	2	10	40140275	24	39
40089789	62	37	40140213	14	8	40140277	26	50
40089790	62	36	40140214	14	2	40140278	68	39
40089791	64	56	40140215	18	1	40140279	36	5
40089792	64	50	40140216	18	35	40140281	36	14
40090320	62	14	40140217	18	36	40140283	36	7
40090331	8	17	40140218	16	57	40140286	38	3
40091075	64	61	40140219	18	3	40140288	38	21
40091076	64	68	40140220	18	16	40140289	20	94
40091078	62	34	40140221	18	4	40140290	38	44
40091083	64	77	40140222	18	8	40140292	4	49
40091362	64	79	40140223	18	18	40140293	38	1
40093109	80	51	40140224	18	19	40140294	38	31
40093291	54	11	40140225	18	21	40140295	38	23
40094018	74	5	40140226	18	25	40140296	38	46
40094019	74	6	40140227	18	27	40140297	40	53
40096325	70	21	40140237	18	39	40140298	2	16
40096326	70	19	40140239	18	46	40140300	2	3
40096327	70	18	40140240	18	47	40140303	4	60
40097886	84	29	40140241	18	44	40140304	68	16
40097984	80	38·50	40140242	20	49	40140305	38	2
40098325	62	33	40140243	20	51	40140307	68	21
40098326	64	70	40140244	2	6	40140309	22	95
40102213	28	20	40140246	18	28	40140310	22	96
40103968	44	49	40140247	18	23	40140312	28	36
40104419	54	61	40140248	20	55	40140317	38	30
40104419	56	61	40140249	20	53	40140319	68	1
40105704	68	30	40140250	20	61	40140321	18	30
40106576	70	10	40140251	20	57	40140322	18	31
40106579	70	11	40140252	20	58	40140324	16	54
40106580	70	9	40140253	20	66	40140328	16	55
40106582	70	8	40140254	20	69	40140329	18	2
40106590	70	1	40140255	20	68	40140332	14	42
40110841	16	51	40140256	20	67	40140334	18	24
40112861	16	49	40140257	20	59	40140336	16	58
40121230	56	70	40140258	20	70	40140981	78	18
40121232	54	15	40140259	18	33	40140982	80	56
40121671	54	14	40140262	28	7	40140983	80	58
40121766	56	65	40140263	24	2	40140984	4	67

# NUMERICAL INDEX OF PARTS

PART NO	PAGE	REF NO.	PART NO	PAGE	REF NO.	PART NO	PAGE	REF NO.
40140984	78	5	B1182221D00	12	10	B2416280000	42	31
40140986	4	69	B1183221D00	12	11	B2417210000	42	36
40140986	78	2	B1193221D00	12	12	B2417280000	42	38
40140987	4	70	B1212210D00	14	44	B2418280000	42	30
40140987	78	4	B1223771000	20	63	B2421210AA0	42	29
40140988	4	68	B1223771000	64	87	B242328000A	42	41~44
40140989	36	4	B1406526000	18	5	B242328000B	42	41~44
40140989	78	6	B1407526000	18	6	B242328000C	42	41~44
40141178	2	18	B1408180000	24	32	B242328000D	42	41~44
40141179	2	46	B1410526000	18	17	B2424210000	42	28
40141945	2	47	B1411804A00	34	53~56	B242621000B	42	25·26
40141946	20	90	B1411804B00	34	53~56	B242621000D	42	25·26
40141947	22	98	B1411804C00	34	53~56	B2504221D00	54	1
40141959	18	41	B1411804D00	34	53~56	B2505221D00	54	2
40145022	74	1~3	B1412526000	18	10	B2513215000	60	14
40145023	74	1~3	B1413526000	18	11	B2525223C00	54	10
40145024	72	1	B1414526000	18	12	B2529232000	8	3
40145024	80	55	B1415526000	18	13	B2534223C00	54	12
40145026	74	15	B1417526000	18	20	B2537221D00	54	40
40145026	78	19	B1425526000	18	72	B2539223C00	64	82
40145973	4	73	B1425526000	20	72	B2558220000	60	2
40162838	74	19·43	B1504210000	58	4	B2560220000	60	25
40162838	78	29·30	B1513210000	4	50	B2564223C00	84	7
40163025	76	58	B151902600G	50	7	B2567215000	60	9
40163025	78	27·40	B161121000A	26	48	B25672150A0	60	8
40163061	80	52·70	B1628191B00	64	71	B2568223C00	58	25
40163089	80	41·65	B1634210D00	26	53	B2576220000	58	6
40163090	80	43·66	B1636581A00	24	15~18	B2591220000	84	28
40163091	80	45·67	B1636581B00	24	15~18	B2613215000	60	6
40163092	80	47·68	B1636581C00	24	15~18	B26132150A0	60	5
40163233	78	38·50	B1636581D00	24	15~18	B3107804000	38	41
40163238	74	1~3	B1802180000	54	22	B3112704000	38	37
40178385	80	59·69	B1806210D00	32	43	B3114232000	38	36
A1230500000A	16	48	B1806210D00	84	1	B3120372000	2	41
B1111215000	8	1	B1816215P00	44	48	B3126012000	6	32
B1115215000	8	2	B1816280000	50	8	B3126012000	38	34
B1116215000	10	55	B1816280000	58	21	B31375270A0	38	6
B1131528000	22	99	B1816280000	60	13	B3138527000	38	10
B1132223C00	8	28	B1820210D00	32	14	B3139527000	38	8
B1132521000	20	91	B1821210D00	32	15	B3141527000	38	13
B1144210000	14	45	B1822215P00	32	16	B3142527000	38	7
B1155221D00	12	6	B1828210DAA	32	42	B3143527000	38	15
B1156221D00	12	7	B1847221D00	34	52	B3509210000	6	38
B1157215000	12	13	B24142800A0	42	34	B3509210000	46	41
B1181221D00	12	9	B24152800A0	42	32	B3538112000	6	41

NUMERICAL INDEX OF PARTS

PART NO	PAGE	REF NO.	PART NO	PAGE	REF NO.	PART NO	PAGE	REF NO.
B4022221D00	50	38	CS1000881TP	64	57	HX00150000C	6	40
B471122000C	58	11	D5124206K0K	30	59	HX00150000D	6	46
B471122000D	58	12	D7133555B00	6	33	HX00150000D	30	53
B471122000G	58	13	D8001D15A0Y	82	28	HX00150000D	32	32
B471122000H	58	14	D8002D15A0Y	82	6	HX00150000D	52	48
B8101221DA0	62	1	D8204555D00	62	22	HX00150000K	6	42
B8102221DA0	62	2	E9567319000	74	40	HX00150000M	6	37
B8103221DA0	62	3	E9607603000	74	39	HX002330000	58	24
B8110373N00	62	10	EA9500B0100	6	44	HX00233000B	58	23
B8150221D00	62	4	EA9500B0100	8	44	HX00307000E	6	39
B8171223C00	62	19	EA9500B0100	30	58	HX00314000A	82	18
B8202205000	62	20	EA9500B0100	32	44	HX00326000K	74	11
B8267180000	10	50	EA9500B0100	46	46	HX003390000	10	49
B9101490000	84	12	EA9500B0100	50	47	HX003390000	74	21
B9113012000	84	26	EA9500B0100	74	46	HX00339000M	76	53
B9121012000	62	21	EA9500B0100	82	19	HX00354000B	72	12
B91212200A0	84	8	EA9500B0100	84	22	HX004070000	74	29
B9140372000	84	13·21·27	EA9500B0200	6	45	HX00410000A	74	33
B9141372000	84	13·21·27	F10120030A0	68	18	HX005110000	74	38
BME01100000	72	21·23	G1403117000	18	14	KM000000480	74	24
BME03200000	72	21·23	G5151171000	62	23	KX000000210	74	47
BT0400251EB	58	22	GAF01007000	14	28	KX000000230	76	48
BT0400251EB	68	11	GAT23301000	54	24	M300451100A	72	27
BT0400251EB	82	22	GAW01502000	64	67	M3801476000	74	9
BT0600401EB	68	12	GCT02906000	84	13·21·27	M4206461000	74	14
BT0800501EB	68	13	GEP01013000	82	20	M90195800A0	78	39·54
BT1000651EB	68	14	GPK470010AB	78	23	M90295800A0	76	50
BT1601001Z0	68	15	HA005820000	72	17	M90345800A0	72	43
CM200100001	76	63	HD000570000	50	30	MA011532000	72	31
CM300100003	72	24	HD00057000A	30	49	MDP170B1800	20	74
CM300100401	72	20·41	HD00057000A	42	16	MDP170B1802	84	3
CM300200001	6	2·36	HD00057000A	50	33	MTJMS00000S	62	24
CM300200003	6	2·36	HD00057000A	78	17	MTSHJ100003	64	93
CM300400601	72	22·25	HD00204000A	46	35	MTSHJ100003	72	33
CM300400701	72	22·25	HD00204000B	46	36	NM3040520SC	74	26
CM301200001	6	1	HF00130315S	72	28~30	NM6030003SC	12	14
CM600100101	72	14	HF0013050P0	72	28~30	NM6030003SC	48	48
CM600100101	76	66	HF003000200	72	28~30	NM6040001SC	62	63
CQ200000000	32	24	HN001490000	76	52	NM6040001SC	64	63
CQ303000000	20	88	HN002460000	76	64	NM6040001SP	38	43
CQ303000000	24	3	HN002840000	76	65	NM6040001SP	42	9
CS079073ASH	24	33	HW002180200	72	15	NM6040002SC	70	25
CS0800881TP	28	29	HX00056000A	42	22	NM6050001SE	70	26
CS0800881TP	64	80	HX00065000A	72	39	NM6050001SP	42	12
CS100081CSP	54	25	HX00150000B	34	65	NM6060001SC	20	65

# NUMERICAL INDEX OF PARTS

PART NO	PAGE	REF NO.	PART NO	PAGE	REF NO.	PART NO	PAGE	REF NO.
NM6060001SC	64	88	PJ308060004	68	9	SB30800100D	32	33~36
NM6060003SC	2	24	PJ309040003	68	7	SB408000100	28	13
NM6060003SC	64	74	PJ309520001	84	9	SB412000100	54	32
NM6080001SC	62	30	PS0150065KP	12	15	SD0350156TP	46	47
NM6080001SC	74	13	PS0150065KP	60	10	SD0380556TL	20	92
NM6080002SC	66	98	PS0250062KH	4	66	SD0400266TP	46	8
NM6080002SC	72	38	PS0400082KP	62	41	SD0470316TP	38	38
NM6080003SC	40	50	PS0400142KH	14	47	SD0600326TP	62	38
NM6080003SC	64	73	PV010502000	82	12	SD0601406TP	64	65
NM6080721SE	68	27	PV135129000	68	28	SD0800327TP	42	11
NM6100001SD	8	4	PV155303000	68	2	SD0800336TP	26	61
NM6120003SE	62	11	PX020002000	82	11	SD0800337TP	28	25
NS6060220SH	18	9	PX055202000	68	4	SD0800386TP	24	35
NS6110310SP	6	30	PX500014000	82	14	SD0800387TP	28	40
NS6110310SP	38	39	PX500020000	20	84	SD0800407TP	46	25
NS6110310SP	62	45	RC0100001KP	62	35	SD0800408TP	24	38
PA0602501A0	36	1	RC0470611KP	20	81	SD0800656TP	26	56
PA1001016A0	20	77	RC0560711KP	6	21	SD0800746TP	24	10
PA1001016A0	68	43	RC0560711KP	20	87	SD1000506TP	24	37
PA100102000	40	49	RC0650811KP	24	25	SD1002206TP	26	60
PA100102000	68	37	RC3781518KP	24	20	SK1382501SE	62	25
PA1601017A0	20	83	RE0200000K0	46	7	SK3311600SC	62	27
PA1601017A0	68	41	RE0300000K0	32	17	SK3413201SE	72	40
PA1602509A0	58	9	RE0300000K0	58	15	SK3452500SC	68	31
PA900033000	20	80	RE0320000K0	58	30	SK3512001SE	72	32
PA900034000	20	78	RE0400000K0	6	22	SK3582501SE	64	55
PA900078000	20	86	RE0700000K0	28	35	SL4030681SC	72	11
PB000010000	84	10	RE0800000K0	14	25	SL4030881SC	72	13
PC012401000	58	2	RE1000000K0	14	43	SL4031091SC	30	50
PJ046052503	40	52	RO036080200	38	40	SL4031091SC	42	17
PJ046052503	58	10	SB108000200	34	60	SL4031091SC	50	34
PJ046052503	68	38	SB108000500	28	26	SL4032591SC	68	32
PJ301040501	82	13	SB108000500	54	28	SL4040681SC	10	60
PJ301060003	68	33	SB110001300	54	29	SL4040881SC	74	20·56·57
PJ301060004	68	6	SB110002400	32	3	SL4040881SC	76	20·56·57
PJ301080001	68	19	SB110002400	44	52	SL4040891SC	6	34
PJ303040002	84	16	SB112001700	32	8	SL4040891SC	10	48
PJ303100002	68	8	SB120000900	14	1	SL4040891SC	30	54
PJ304040504	20	85	SB120001700	14	6	SL4040891SC	34	66
PJ304040504	36	9	SB120001800	14	4	SL4040891SC	68	34
PJ304040504	68	44	SB130000200	54	30	SL4040891SC	74	59
PJ304065101	68	29	SB130000300	54	31	SL4040891SC	76	59
PJ304105301	68	5	SB30800100A	32	33~36	SL4041081SC	76	62
PJ308040002	68	10	SB30800100B	32	33~36	SL4041091SC	2	64
PJ308040002	82	27	SB30800100C	32	33~36	SL4041091SC	4	64

# NUMERICAL INDEX OF PARTS

PART NO	PAGE	REF NO.	PART NO	PAGE	REF NO.	PART NO	PAGE	REF NO.
SL4041091SC	10	54	SM4040655SP	2	42	SM6040602TP	20	52
SL4041091SC	50	42	SM4040655SP	12	21	SM6040602TP	30	56
SL4041091SC	74	16·54·55	SM4040655SP	62	44	SM6040602TP	34	58
SL4041091SC	76	16·54·55	SM4040855SP	2	43	SM6040602TP	46	42
SL4041091SE	72	19	SM4040855SP	12	20	SM6040602TP	50	36
SL4041691SC	2	14	SM4041055SP	2	38	SM6040602TP	54	69
SL4043591SC	74	25	SM4041055SP	12	23	SM6040602TP	56	69
SL4051091SC	68	24	SM4041055SP	54	37	SM6040650TP	2	48
SL6040692TN	64	69	SM4041201SC	70	22	SM6040650TP	4	48
SL6040892TN	2	34	SM4041255SP	12	33	SM6040650TP	8	35
SL6040892TN	36	6	SM4041255SP	60	22	SM6040650TP	12	22
SL6041692TN	34	63	SM4041655SP	12	24	SM6040650TP	32	29
SL6051092TN	20	48	SM4041655SP	38	42	SM6040650TP	42	45
SL6052592TN	14	41	SM4042055SP	54	38	SM6040650TP	46	21
SL6052592TN	54	35	SM4042501SC	70	23	SM6040650TP	50	39
SL6061692TN	8	34	SM4050655SP	12	31	SM6040800SP	26	52
SL6061692TN	64	75	SM4050655SP	60	3	SM6040802TP	8	23
SL6062592TN	58	26	SM4050855SP	8	46	SM6040802TP	20	76
SL6083092TN	74	10	SM4051055SP	2	45	SM6040802TP	44	51
SL6084092TN	4	56	SM4051255SP	54	39	SM6040802TP	50	46
SL9061291SE	8	25	SM4051405SE	70	24	SM6041002TP	50	45
SL9061293SE	62	12	SM4051655SP	44	50	SM6041150TP	6	27
SL9082093SE	62	13	SM4061255SP	2	2	SM6041150TP	54	41
SL9082093SE	68	25	SM5040550TP	38	45	SM6041202TP	4	59
SM1030601SP	12	19	SM5040655SN	6	24	SM6041202TP	46	40
SM1030601SP	14	21	SM5040855SN	8	16	SM6041202TP	54	43
SM1040650TP	8	31	SM6020250TP	34	48	SM6041402TP	28	21
SM1040650TP	42	3	SM6020350SP	46	13	SM6041402TP	50	15
SM1040650TP	84	6	SM6020450TP	46	37	SM6041602TP	54	34
SM1040800SP	4	62	SM6020460TP	32	38	SM6041802TP	54	42
SM1040801SP	12	18	SM6030402TP	18	32	SM6043002TN	68	3
SM1040870TP	2	11	SM6030450TP	18	34	SM6050800SP	26	68
SM1040870TP	40	54	SM6030500SN	4	65	SM6050800SP	56	52
SM1040870TP	50	16	SM6030502TP	50	27	SM6050800SP	58	19
SM1040870TP	60	28	SM6030600SP	18	97	SM6050802TP	28	45
SM1041400SP	2	61	SM6030600SP	20	97	SM6050802TP	64	60
SM1041400SP	4	61	SM6030600SP	22	97	SM6051000SP	18	43
SM1041400SP	38	22	SM6030602TP	46	44	SM6051000SP	50	18
SM2360110TP	46	20	SM6030602TP	50	11	SM6051000SP	58	28
SM3040652TN	36	13	SM6030802TP	26	67	SM6051002TP	18	54
SM4020600SP	46	18	SM6030802TP	50	12	SM6051002TP	20	54
SM4021201SC	8	43	SM6031202TN	36	2	SM6051002TP	28	43
SM4030401SC	12	16	SM6040460TP	34	61	SM6051002TP	38	47
SM4030455SP	32	23	SM6040600SP	20	71	SM6051200TP	20	56
SM4030601SN	2	36	SM6040602TP	6	43	SM6051202TP	18	42



# NUMERICAL INDEX OF PARTS

PART NO	PAGE	REF NO.	PART NO	PAGE	REF NO.	PART NO	PAGE	REF NO.
SM6051600SP	50	17	SM8060802TP	56	49	WP0450000SD	56	68
SM6051802TP	54	36	SM8060812TP	8	6	WP0450000SD	60	23
SM6051802TP	60	15	SM8060812TP	14	34	WP0450801SD	2	44
SM6052502TP	4	72	SM8060812TP	24	12	WP0450801SD	12	27
SM6060550TP	14	27	SM8060812TP	28	34	WP0450801SD	34	62
SM6060800SP	2	21	SM8060812TP	32	11	WP0450801SD	50	32
SM6060802TP	60	1	SM8060812TP	42	14	WP0450801SD	82	7~10
SM6061002TP	10	56	SM8060812TP	56	51	WP0450801SP	8	24
SM6061202TN	56	63	SM8061050TP	34	50	WP0450801SP	46	2
SM6061202TN	64	90	SM8061212TP	32	27	WP0450826SC	6	23
SM6061202TP	4	58	SM8061612TP	20	64	WP0450846SP	26	54
SM6061202TP	8	10	SM8082002TP	16	52	WP0450846SP	30	57
SM6061400SP	2	22	SM8480652TP	14	35	WP0450846SP	42	37
SM6061402TP	24	24	SM8480652TP	28	10	WP0482086SD	34	64
SM6061602TP	60	19	SM9050850SP	8	32	WP0482086SD	56	54
SM6061802TP	28	22	SM9051203CP	12	30	WP0501016SD	38	20
SM6061802TP	42	20	SM9087533SC	62	16	WP0501016SD	56	55
SM6084002TN	64	94	SS1060210TP	42	35	WP0520656SA	8	33
SM6084002TN	72	34	SS1110640TP	24	30	WP0520656SA	28	38
SM6086002TP	64	92	SS4110615SP	38	19	WP0522016SH	28	39
SM6107002TP	8	5	SS6060410TP	20	73	WP0522016SH	64	83
SM6450610TP	8	21	SS6090910SP	24	41	WP0531000SD	12	32
SM7030450SC	12	17	SS6110430TP	42	40	WP0531000SD	50	22
SM7751160TP	26	51	SS6111210SP	82	7~10	WP0531000SD	56	67
SM8030312TP	18	26	SS7090410SP	42	33	WP0531000SD	58	29
SM8030612TP	18	22	SS7090510SP	38	16	WP0531000SD	60	4
SM8040310SS	14	32	SS7110740TP	42	39	WP0531001SC	56	59
SM8040412TP	20	82	SS7111120TP	82	3~5	WP0531001SC	70	28
SM8040802TP	6	26	SS7111810TP	24	42	WP0531001SD	18	38
SM8050412TP	18	62	SS8110410TP	24	34	WP0550800SP	40	48
SM8050412TP	20	62	TA0550604R0	26	57	WP0553216SD	82	7~10
SM8050412TP	28	30	TA0670604R0	14	19	WP0611626SP	24	9
SM8050412TP	54	45	TA0750404R0	24	21	WP0611626SP	60	17
SM8050412TP	64	81	TA0850604R0	2	23	WP0612056SD	8	30
SM8050502TP	6	25	TA1050604R0	4	51	WP0641600SC	60	20
SM8050512TP	24	45	TA1100604R0	4	71	WP0651001SC	8	11
SM8050512TP	60	26	TA1250406R0	2	25	WP0651001SC	42	47
SM8050592TP	42	21	TA2351004R0	2	27	WP0651001SC	56	64
SM8050812TP	54	46	WP0320500SC	46	6	WP0820516SP	14	15
SM8050812TP	58	27	WP0320500SD	50	19	WP0820516SP	40	51
SM8060602TP	28	19	WP0320501SD	46	45	WP0841600SE	62	28
SM8060602TP	54	48	WP0320501SD	50	20	WP0841601SC	66	96
SM8060602TP	56	48	WP0330501SB	12	25	WP0841601SC	72	36
SM8060610TP	32	46	WP0430801SC	56	56	WP0841601SC	74	42
SM80606A2TP	16	50	WP0431005SP	64	66	WP0850002SP	28	14

## NUMERICAL INDEX OF PARTS

PART NO	PAGE	REF NO.
WP0850002SP	62	52
WP0850002SP	64	52
WP0852086SC	66	95
WP0852086SC	72	35
WP0871602SE	68	26
WP1022016SH	64	59
WP1052001SC	8	7
WP1221016SP	24	27
WP1612616SE	70	27
WS0410002KN	56	57
WS0451040KP	82	7~10
WS0510002KN	70	29
WS0610002KP	60	16
WS0610002KP	64	89
WS0820002KN	62	53
WS0820002KN	64	53
WS0820002KR	66	97
WS0820002KR	72	37
WS1020002KN	8	8
WZ0850302K0	28	28