

MODEL : MF-7900-E22/E23

List No : 1642-00

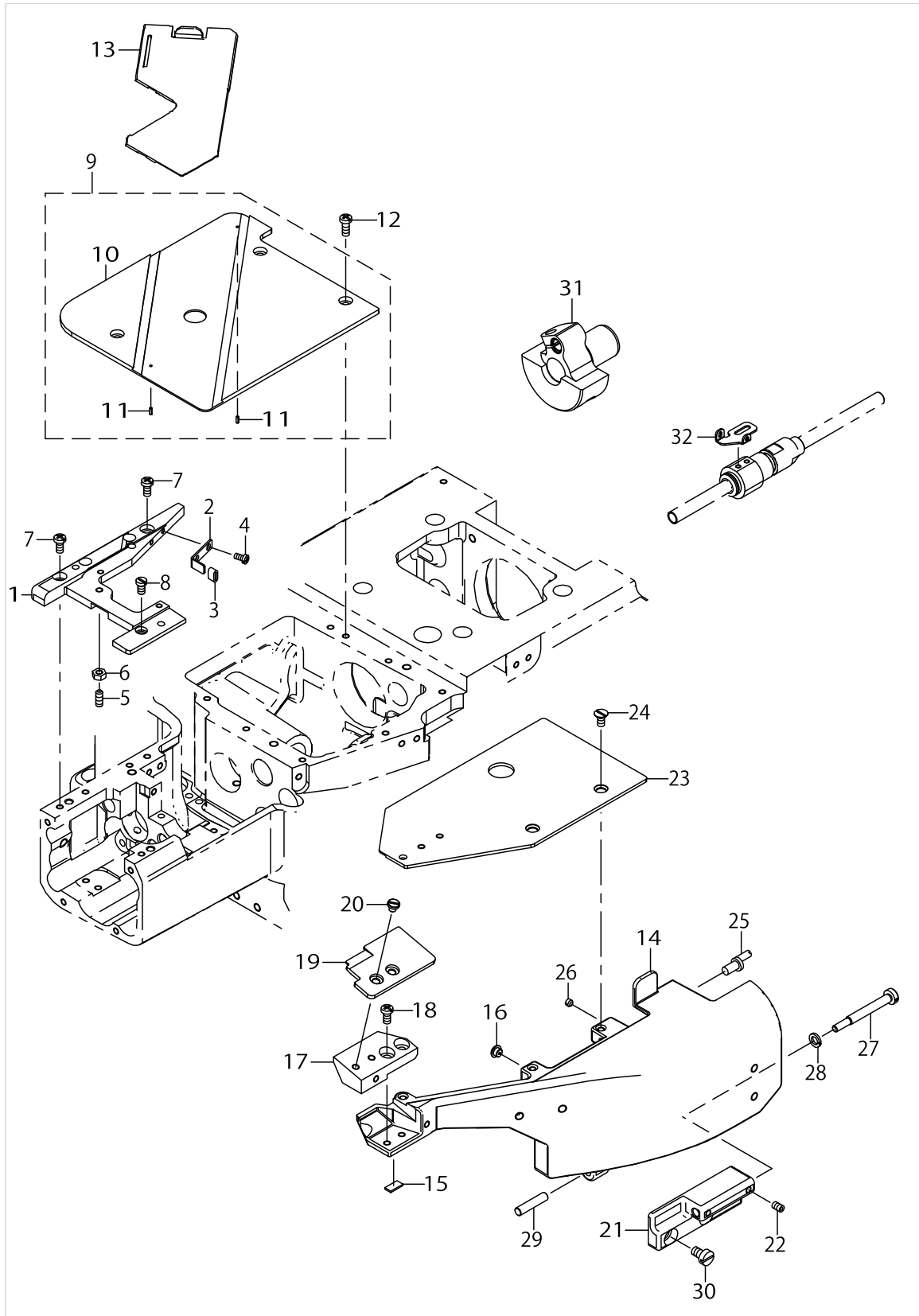
PARTS LIST

Published:09/10/2017

CONTENTS

MISCELLANEOUS COVER COMPONENTS.....	1
TENSION ROLLER COMPONENTS.....	3
BINDER COMPONENTS.....	7
KNEE SWITCH COMPONENTS (FOR E22).....	11
KNEE SWITCH VALVE COMPONENTS (FOR E23).....	13
GAUGE COMPONENTS.....	15
HOW TO MAKE USE OF THIS PARTS LIST	17

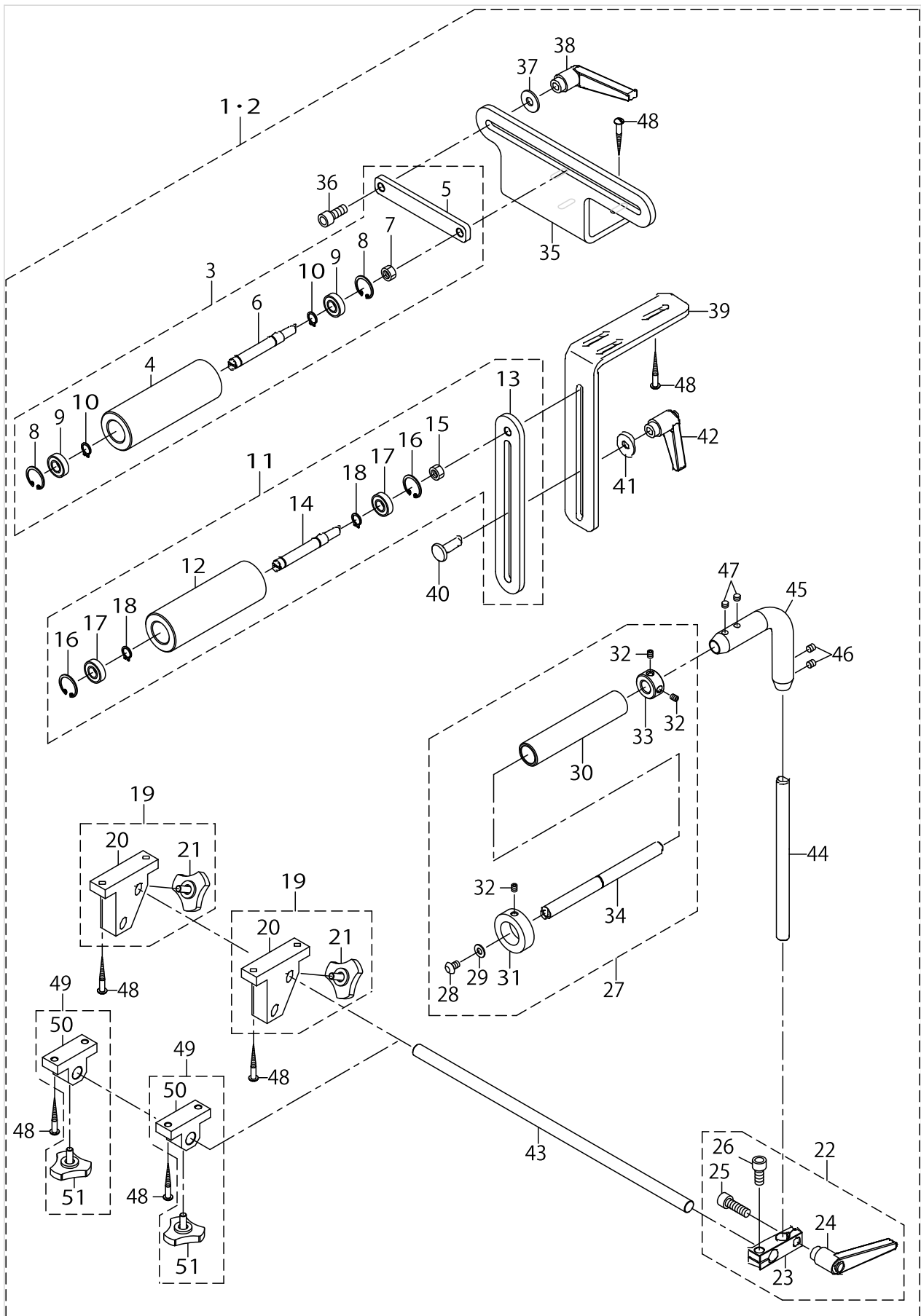
MISCELLANEOUS COVER COMPONENTS



MISCELLANEOUS COVER COMPONENTS

No.	Parts No.	Parts name	Remarks	Level	Cons	Qty
1	70003404	THROAT_PLATE_SUPPORT_E22				1
2	13403407	SLIDE_COVER_SUPPORT				1
3	23630007	TUBE				0.01
4	SM4030655SP	SCREW				2
5	SM8041012TP	SCREW M4 L=10				1
6	NM6040001SC	NUT M4X0.7 TYPE1				1
7	SM4040855SP	SCREW				2
8	SM6040660TP	SCREW M4 L=6				1
9	70003355	CLOTH_PLATE_ASSY				1
10	70003357	CLOTH_PLATE_REAR		*		1
11	PS0150042K0	SPRING PIN 1.5X 4		*		2
12	SM4041055SP	SCREW				3
13	40024796	SG_SLIDE_COVER				1
14	70003402	SWING_DOWN_COVER_E22				1
15	13403605	RUBBER_PLATE				1
16	13302302	RUBBER BUMPER				1
17	70003405	CLOTH_PLATE_BLOCK				1
18	SM4040855SP	SCREW				2
19	70003414	CLOTH_PLATE				1
20	SM6040450TP	SCREW M4 L=4				2
21	70001648	HINGE				1
22	SM8040412TP	SET SCREW M4 L=4				2
23	70003409	CLOTH_PLATE_FRONT_E22				1
24	SM1040800SP	SCREW				2
25	13402706	PIN FOR COVER				1
26	SM8040360TP	SCREW				1
27	70001414	SCREW				1
28	WS0510002KP	SPRING WASHER 5.1X9.2X1.3				1
29	13409800	DIFF_LINK_PIN				1
30	SM6050800SP	SCREW M5 L=8				2
31	70003417	COUNTER_WEIGHT_33_35				1
32	70003363	THREAD_GUIDE				1

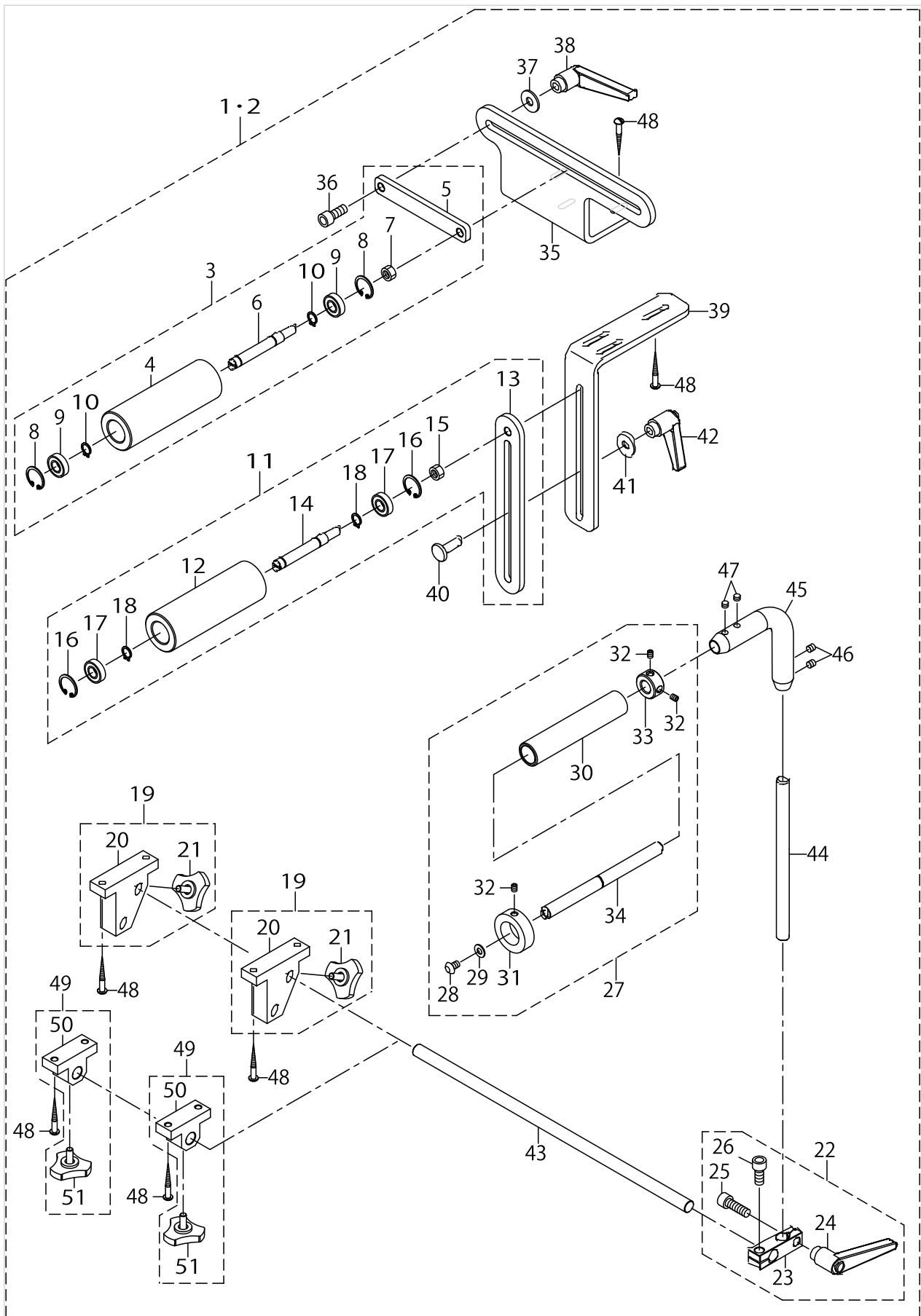
TENSION ROLLER COMPONENTS



TENSION ROLLER COMPONENTS

No.	Parts No.	Parts name	Remarks	Level	Cons	Qty
1	40037978	E20_TENSION_ROLLER_ASM	FOR E22			1
2	40037979	E21_TENSION_ROLLER_ASM	FRO E23			1
3	40037374	E20_REAR_ROLLER_SUB_ASSEMBLY		*		1
4	40037373	REAR_ROLLER		*		1
5	40030149	REAR_LEVER		*		1
6	40030147	REAR_SHAFT		*		1
7	NM6080001SC	NUT M8X1.25		*		1
8	RC2200002KP	RETAINING RING		*		2
9	SB110000900	BEARING		*		2
10	RC0100001KP	SNAP RING M10		*		2
11	40037376	E20_LOWER_ROLLER_SUB_ASSEMBLY		*		1
12	40037373	REAR_ROLLER		*		1
13	40030152	ROLLER_PLATE		*		1
14	40030147	REAR_SHAFT		*		1
15	NM6080001SC	NUT M8X1.25		*		1
16	RC2200002KP	RETAINING RING		*		2
17	SB110000900	BEARING		*		2
18	RC0100001KP	SNAP RING M10		*		2
19	40037981	E20_KNOB_SUB_ASSEMBLY	FOR E22	*		2
20	40034579	BRACKET		*		1
21	40050443	THUMB_SCREW		*		1
22	40031146	CLAMP_LEVER_SUB_ASSEMBLY		*		1
23	40030151	BLOCK		*		1
24	40031043	CLAMP_LEVER		*		1
25	SM6082502TP	SCREW M8 L=25		*		1
26	SM6081802TP	SCREW		*		1
27	40037383	E20_FRONT_ROLLER_SUB_ASSEMBLY		*		1
28	SM3061052TP	SCREW M6 L=10		*		1
29	WP0621036SP	WASHER		*		1
30	40037381	FRONT_ROLLER		*		1
31	40037382	ROLLER_COLLAR		*		1
32	SM8050612TP	SCREW M5X6		*		3
33	40030284	COLLAR		*		1
34	40030143	ROLLER_SHAFT		*		1
35	40030150	REAR_BRACKET		*		1
36	SM6082002TP	SCREW M8 L=20		*		1
37	WP0851846SC	WASHER 8.5X22.0X1.8		*		1
38	40031043	CLAMP_LEVER		*		1
39	40024944	L_PLATE		*		1
40	MTJMS000100	BOLT M8 L=25		*		1
41	WP0851846SC	WASHER 8.5X22.0X1.8		*		1
42	40031043	CLAMP_LEVER		*		1
43	40030140	LOWER_SLIDE_SHAFT		*		1
44	40037386	ROLLER_SHAFT		*		1
45	40030146	ROLLER_BRACKET		*		1
46	SM8060612TP	SCREW M6 L=6		*		2
47	SM8060412TP	SCREW		*		2

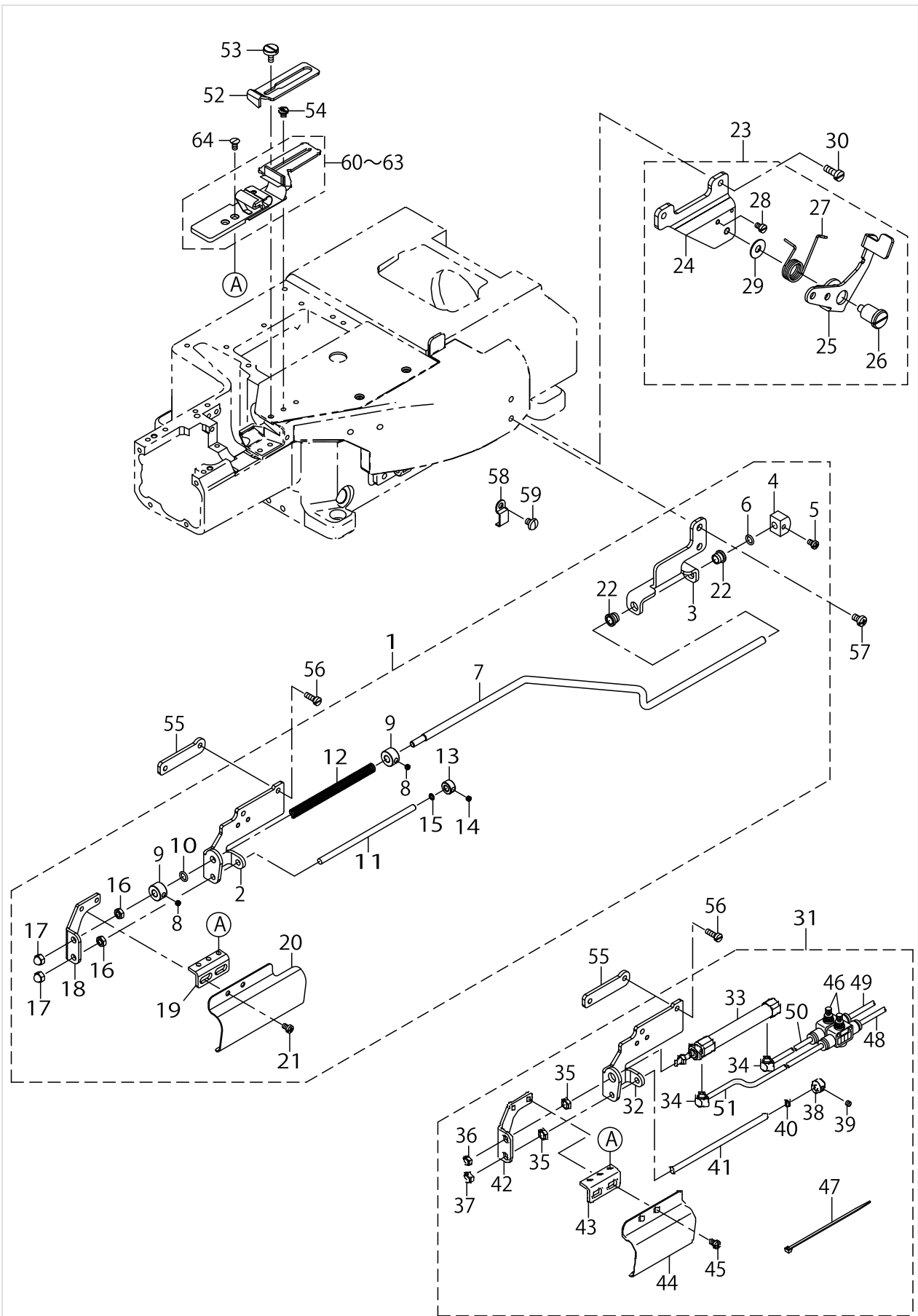
TENSION ROLLER COMPONENTS



TENSION ROLLER COMPONENTS

No.	Parts No.	Parts name	Remarks	Level	Cons	Qty
48	SK3483201SE	WOOD SCREW D=4.8 L=32		*		10
49	40031145	KNOB_SUB_ASSEMBLY	FRO E23	*		2
50	40030139	BRACKET		*		1
51	40050443	THUMB_SCREW		*		1

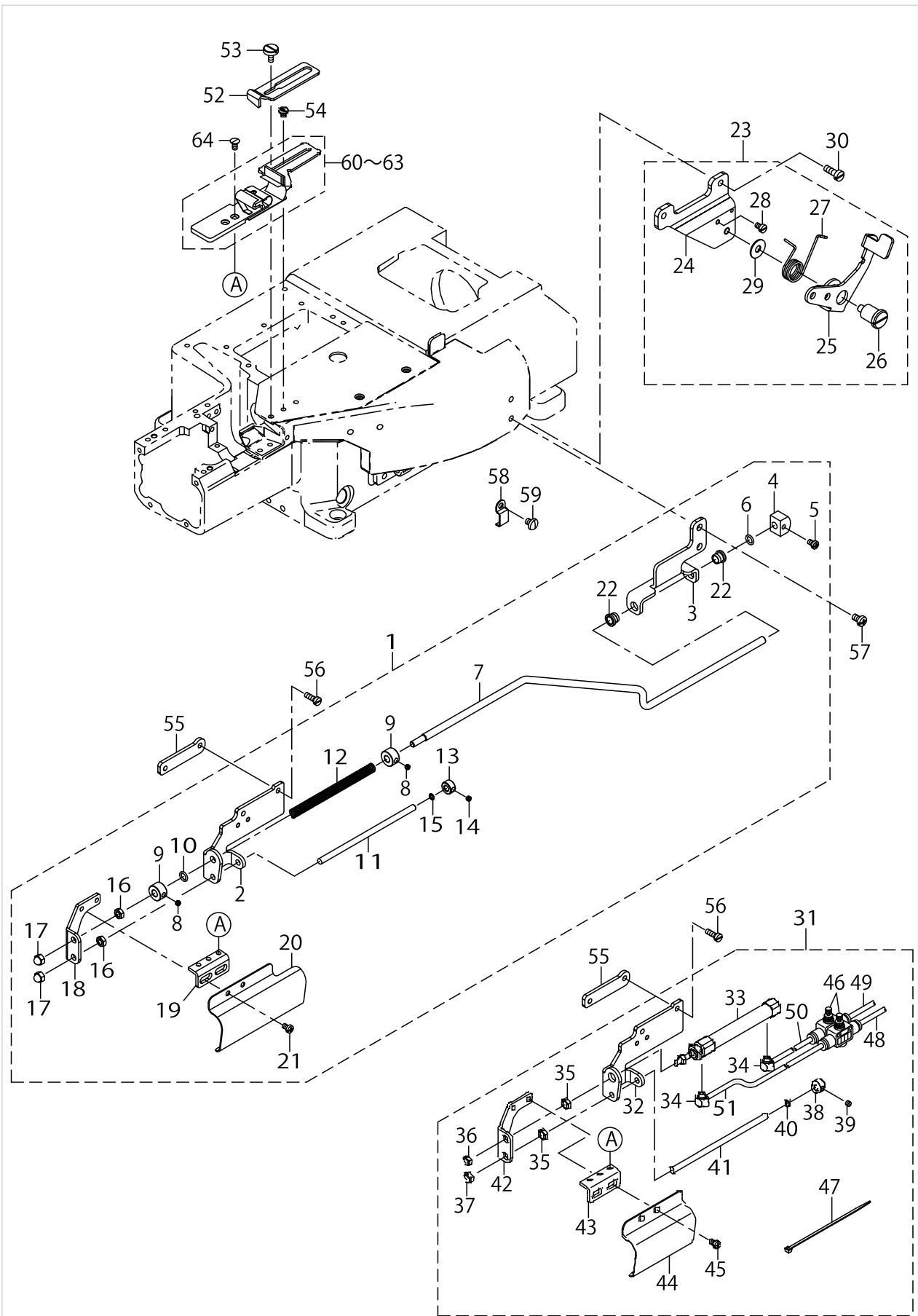
BINDER COMPONENTS



BINDER COMPONENTS

No.	Parts No.	Parts name	Remarks	Level	Cons	Qty
1	70003420	E22_BRACKET_ASSY	FOR E22			1
2	70003407	BRACKET_E22		*		1
3	70003416	GUIDE_SHAFT		*		1
4	40024790	SG_PLATE		*		1
5	SM4040655SP	SCREW M4 L=6		*		1
6	RO060150100	RUBBER RING		*		1
7	70003413	SHAFT		*		1
8	SM8040360TP	SCREW		*		2
9	40024781	SG_COLLAR		*		2
10	RO060150100	RUBBER RING		*		1
11	40024794	SG_SHAFT_B		*		1
12	G5501382000	PRESSER SPRING		*		1
13	40038016	STOPPER_COLLAR		*		1
14	SM8040360TP	SCREW		*		1
15	RO037180100	RUBBER RING		*		1
16	NM6050003SC	NUT M5X0.8 TYPE3		*		2
17	NM7050032SC	NUT M5		*		2
18	40024770	SG_BRACKET		*		1
19	40024772	SG_BRACKET_B		*		1
20	40024786	SG_COVER		*		1
21	SM4040655SP	SCREW M4 L=6		*		2
22	70004058	GUIDE_SHAFT_BUSH		*		2
23	70003418	LEVER_ASSY	FOR E22			1
24	70003411	LEVER_BRACKET		*		1
25	70003412	LEVER		*		1
26	40024795	SG_SHOULDER_SCREW		*		1
27	40024799	SG_SPRING_L		*		1
28	SM6040600SP	SCREW M4 L=6		*		1
29	WP0621036SP	WASHER		*		1
30	SM6051400SP	SCREW	FOR E22			2
31	70003419	E23_AIR_CYLINDER_ASSY	FOR E23			1
32	70003408	BRACKET_E23		*		1
33	PA1004510A0	AIR CYLINDER		*		1
34	PJ046052501	ELBOW		*		2
35	NM6050003SC	NUT M5X0.8 TYPE3		*		1
36	NM7040032SC	HEXAGONAL CAP NUT, TYPE 3 M4		*		1
37	NM7050032SC	NUT M5		*		1
38	40038016	STOPPER_COLLAR		*		1
39	SM8040360TP	SCREW		*		1
40	RO037180100	RUBBER RING		*		1
41	40024794	SG_SHAFT_B		*		1
42	40024770	SG_BRACKET		*		1
43	40024772	SG_BRACKET_B		*		1
44	40024786	SG_COVER		*		1
45	SM4040655SP	SCREW M4 L=6		*		2
46	PC012401000	SPEED CONTROLLER		*		2
47	EA9500B0100	CABLE BAND		*		2

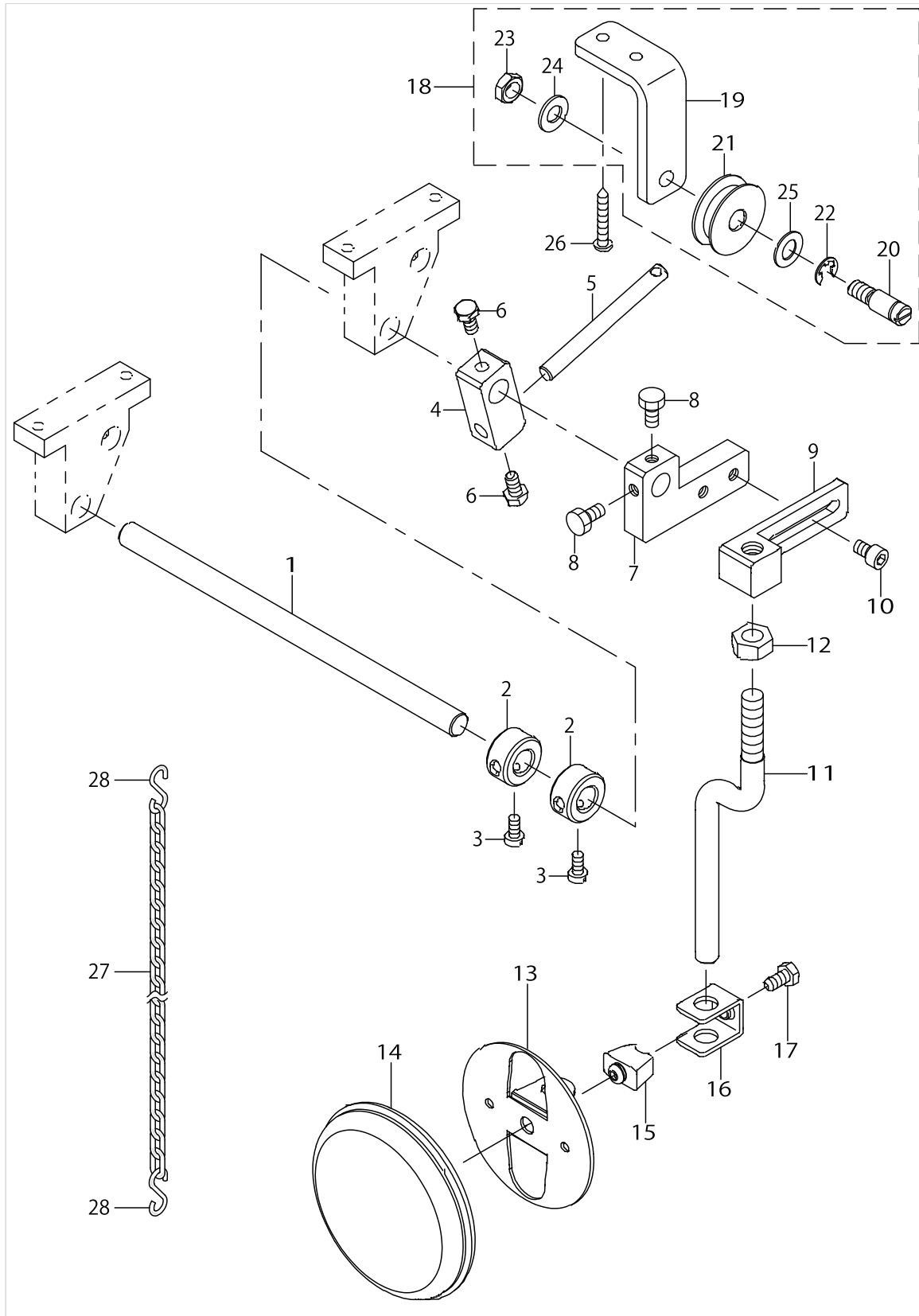
BINDER COMPONENTS



BINDER COMPONENTS

No.	Parts No.	Parts name	Remarks	Level	Cons	Qty
48	BT0400251EB	URETHANE TUBE BLACK 4X2.5		*		0.18
49	BT0400251EB	URETHANE TUBE BLACK 4X2.5		*		0.18
50	BT0400251EB	URETHANE TUBE BLACK 4X2.5		*		0.24
51	BT0400251EB	URETHANE TUBE BLACK 4X2.5		*		0.32
52	70003415	ELASTIC_GUIDE				1
53	SM6041050SN	SCREW M4 L=10				1
54	SM6040650TP	SCREW				1
55	70003406	SPACER				1
56	SM6041200SP	SCREW M4 L=12				2
57	SM4050855SP	SCREW	FOR E22			2
58	B3509210000	OIL TUBE HOLDER C	FOR E23			2
59	SM4050655SP	SCREW M5 L=6	FOR E23			2
60	40024768	SG_BINDER_ASSY_35				1
61	40024766	SG_BINDER_ASSY_25	OPTIONAL PARTS			1
62	40024767	SG_BINDER_ASSY_30	OPTIONAL PARTS			1
63	40024769	SG_BINDER_ASSY_40	OPTIONAL PARTS			1
64	SM1040870TP	SCREW				2

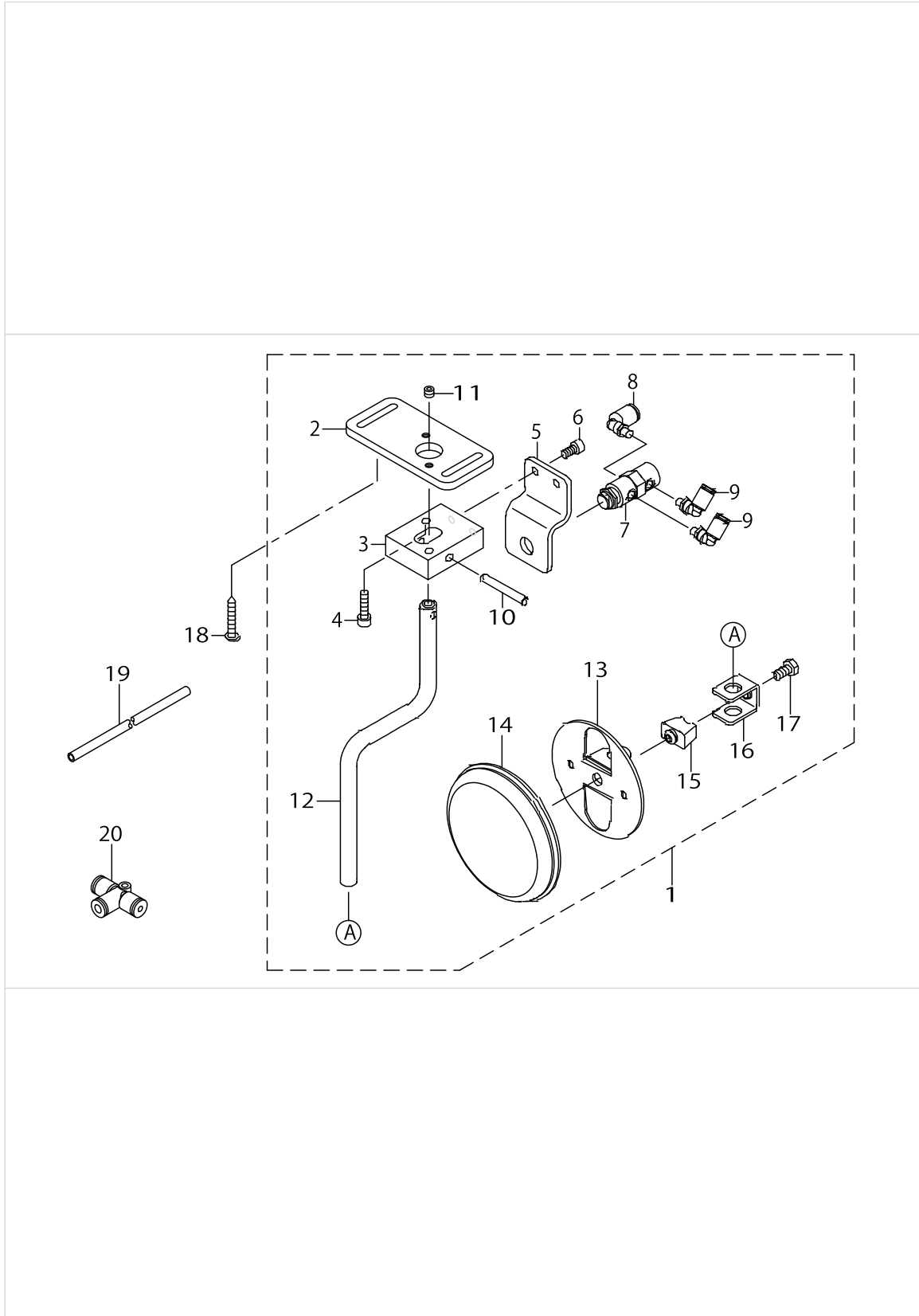
KNEE SWITCH COMPONENTS (FOR E22)



KNEE SWITCH COMPONENTS (FOR E22)

No.	Parts No.	Parts name	Remarks	Level	Cons	Qty
1	40034580	SHAFT				1
2	40030284	COLLAR				2
3	SM6051000SP	SCREW				2
4	40034581	LEVER_BRACKET				1
5	40034583	LEVER				1
6	SM9061203SE	SCREW M6 L=12				2
7	40034584	KNEE_SWITCH_BLOCK				1
8	SM9061203SE	SCREW M6 L=12				2
9	40034590	ADJUSTING_PLATE				1
10	SM6061002TP	SCREW M6 L=10				2
11	40034585	KNEE_SWITCH_SHAFT				1
12	NM6100001SE	NUT FOR SPRING ADJUSTING BOLT				1
13	22934202	KNEE PAD PLATE				1
14	22934509	KNEE PAD PLATE COVER				1
15	22934400	KNEE PAD PLATE RUBBER				1
16	22934301	KNEE PAD PLATE SUPPORT				1
17	SM9061203SE	SCREW M6 L=12				1
18	40034589	PULLEY_ASSY				1
19	40034587	PULLEY_BRACKET		*		1
20	40034588	PIN		*		1
21	40034586	PULLEY		*		1
22	RE0700000K0	E-RING 7		*		1
23	NM6080003SC	NUT M8		*		1
24	WP0850002SP	WASHER 8.5X18X1.6		*		1
25	WP1021016SD	WASHER		*		1
26	SK3483201SE	WOOD SCREW D=4.8 L=32				2
27	40037943	CHAIN				1
28	40034841	S_SHAPED_HOOK				2

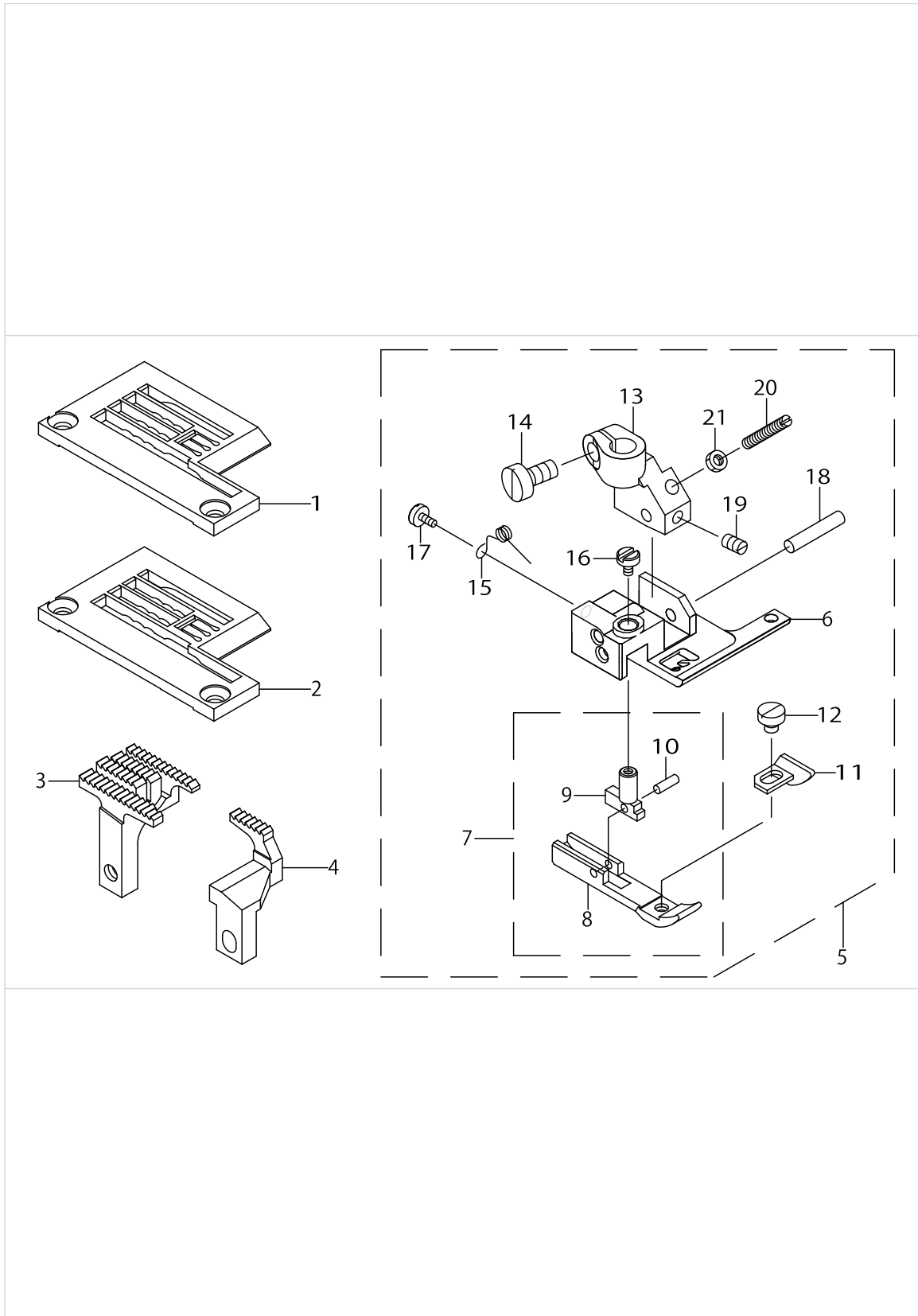
KNEE SWITCH VALVE COMPONENTS (FOR E23)



KNEE SWITCH VALVE COMPONENTS (FOR E23)

No.	Parts No.	Parts name	Remarks	Level	Cons	Qty
1	40033017	KNEE_SWITCH_MECH_VALVE_ASSY				1
2	40033018	KNEE_SWITCH_PLATE		*		1
3	40033019	KNEE_SWITCH_SHAFT_BRACKET		*		1
4	SM6052002TN	BOLT		*		2
5	40033020	VALVE_BRACKET		*		1
6	SM6051002TP	SCREW M5X0.8 L=10		*		2
7	PV010502000	AIR VALVE		*		1
8	PJ304040505	ELBOW		*		1
9	PJ304040504	ELBOW UNION		*		2
10	PH0500400C0	PARALLEL PIN		*		1
11	SM8050412TP	SCREW M5 L=4		*		1
12	40033021	KNEE_SWITCH_SHAFT		*		1
13	22934202	KNEE PAD PLATE		*		1
14	22934509	KNEE PAD PLATE COVER		*		1
15	22934400	KNEE PAD PLATE RUBBER		*		1
16	22934301	KNEE PAD PLATE SUPPORT		*		1
17	SM9061203SE	SCREW M6 L=12		*		1
18	SK3483201SE	WOOD SCREW D=4.8 L=32				2
19	BT0600401EB	TUBE				0.2
20	PJ305060004	TEE UNION				1

GAUGE COMPONENTS



GAUGE COMPONENTS

No.	Parts No.	Parts name	Remarks	Level	Cons	Qty
1	13351606	THROAT_PLATE	FOR B56			1
2	13351705	THROAT_PLATE	FOR B64			1
3	13430301	MAIN_FEED_DOG				1
4	13432307	DIFF_FEED_DOG				1
5	40037398	PRESSER_FOOT_56_ASSY				1
6	40037400	PRESSER_FOOT_BOTTOM_56		*		1
7	13376355	YIELDING_SECTION_ASSEMBLY		*		1
8	13376306	YIELDIND_SECTION		*		1
9	13377205	YIELDING_SECTION_SHANK		*		1
10	13377304	PIVOT_PIN		*		1
11	40037401	PRESSER_FOOT_GUIDE		*		1
12	SM6030350SD	SCREW M3 L=2.9		*		1
13	13376504	PRESSER_FOOT_SHANK		*		1
14	SM6040800SP	SCREW		*		1
15	13376603	YIELDING_SECTION_SPRING		*		1
16	13376702	THREAD_SPRING_SCREW		*		1
17	SM4030455SP	SCREW		*		1
18	PH0300162C0	PARALLEL PIN 3X16		*		1
19	SM8030500SP	SCREW		*		1
20	13376801	SCREW_FOR_PRESSER_FOOT		*		1
21	NM6030001SD	NUT M3X0.5		*		1

HOW TO MAKE USE OF THIS PARTS LIST

1.As to "#01" and "#02" refer to the "Note" given at the bottom of the respective pages.

2.Codes on the "Qty" column

- Each numeral indicates the number of parts required.
- "0.1" and "2.5" indicate the length (in meters) of the respective parts.

3.Parentheses mean that the corresponding part is a subpart that constructs an assembly part.

4.Dotted lines on the Figures indicate assembly parts.

1. リストページの# 0 1、# 0 2の印は、ページ下の"注記"の説明を参照下さい。
2. 数量欄の数字は、個数を表し、0. 1、2. 5等の数値は、長さ（単位メートル）を表します。
3. 数量欄の（ ）は、組部品を構成している子部品であることを意味します。
4. イラストページの-----枠は、組構成であることを意味します。

ALL PARTS NOT MENTIONED IN THIS PARTS LIST ARE SAME AS THOSE OF
MODEL MF-7900. OTHER PARTS LIST RELATED TO THIS MODEL.
*MF-7900. (NO.1599 PART NO.70002009)

このパーツリスト記載以外の部品はMF-7900.と共通です。
この機種に関連するパーツリストとして下記のパーツリストがあります。
*MF-7900. (NO.1599 品番70002009)

NUMERICAL INDEX OF PARTS

PART NO	PAGE	REF NO.	PART NO	PAGE	REF NO.	PART NO	PAGE	REF NO.
13302302	2	16	40030149	4	5	70003355	2	9
13351606	16	1	40030150	4	35	70003357	2	10
13351705	16	2	40030151	4	23	70003363	2	32
13376306	16	8	40030152	4	13	70003402	2	14
13376355	16	7	40030284	4	33	70003404	2	1
13376504	16	13	40030284	12	2	70003405	2	17
13376603	16	15	40031043	4	42	70003406	10	55
13376702	16	16	40031145	6	49	70003407	8	2
13376801	16	20	40031146	4	22	70003408	8	32
13377205	16	9	40033017	14	1	70003409	2	23
13377304	16	10	40033018	14	2	70003411	8	24
13402706	2	25	40033019	14	3	70003412	8	25
13403407	2	2	40033020	14	5	70003413	8	7
13403605	2	15	40033021	14	12	70003414	2	19
13409800	2	29	40034579	4	20	70003415	10	52
13430301	16	3	40034580	12	1	70003416	8	3
13432307	16	4	40034581	12	4	70003417	2	31
22934202	12	13	40034583	12	5	70003418	8	23
22934202	14	13	40034584	12	7	70003419	8	31
22934301	12	16	40034585	12	11	70003420	8	1
22934301	14	16	40034586	12	21	70004058	8	22
22934400	12	15	40034587	12	19	B3509210000	10	58
22934400	14	15	40034588	12	20	BT0400251EB	10	51
22934509	12	14	40034589	12	18	BT0600401EB	14	19
22934509	14	14	40034590	12	9	EA9500B0100	8	47
23630007	2	3	40034841	12	28	G5501382000	8	12
40024766	10	60~63	40037373	4	12	MTJMS000100	4	40
40024767	10	60~63	40037374	4	3	NM6030001SD	16	21
40024768	10	60~63	40037376	4	11	NM6040001SC	2	6
40024769	10	60~63	40037381	4	30	NM6050003SC	8	35
40024770	8	42	40037382	4	31	NM6080001SC	4	15
40024772	8	43	40037383	4	27	NM6080003SC	12	23
40024781	8	9	40037386	4	44	NM6100001SE	12	12
40024786	8	44	40037398	16	5	NM7040032SC	8	36
40024790	8	4	40037400	16	6	NM7050032SC	8	37
40024794	8	41	40037401	16	11	PA1004510A0	8	33
40024795	8	26	40037943	12	27	PC012401000	8	46
40024796	2	13	40037978	4	1·2	PH0300162C0	16	18
40024799	8	27	40037979	4	1·2	PH0500400C0	14	10
40024944	4	39	40037981	4	19	PJ046052501	8	34
40030139	6	50	40038016	8	38	PJ304040504	14	9
40030140	4	43	40050443	4	51	PJ304040505	14	8
40030143	4	34	40050443	6	51	PJ305060004	14	20
40030146	4	45	70001414	2	27	PS0150042K0	2	11
40030147	4	14	70001648	2	21	PV010502000	14	7

NUMERICAL INDEX OF PARTS

PART NO	PAGE	REF NO.	PART NO	PAGE	REF NO.
RC0100001KP	4	18	SM9061203SE	12	17
RC2200002KP	4	16	SM9061203SE	14	17
RE0700000K0	12	22	WP0621036SP	4	29
RO037180100	8	40	WP0621036SP	8	29
RO060150100	8	10	WP0850002SP	12	24
SB110000900	4	17	WP0851846SC	4	41
SK3483201SE	6	48	WP1021016SD	12	25
SK3483201SE	12	26	WS0510002KP	2	28
SK3483201SE	14	18			
SM1040800SP	2	24			
SM1040870TP	10	64			
SM3061052TP	4	28			
SM4030455SP	16	17			
SM4030655SP	2	4			
SM4040655SP	8	45			
SM4040855SP	2	18			
SM4041055SP	2	12			
SM4050655SP	10	59			
SM4050855SP	10	57			
SM6030350SD	16	12			
SM6040450TP	2	20			
SM6040600SP	8	28			
SM6040650TP	10	54			
SM6040660TP	2	8			
SM6040800SP	16	14			
SM6041050SN	10	53			
SM6041200SP	10	56			
SM6050800SP	2	30			
SM6051000SP	12	3			
SM6051002TP	14	6			
SM6051400SP	8	30			
SM6052002TN	14	4			
SM6061002TP	12	10			
SM6081802TP	4	26			
SM6082002TP	4	36			
SM6082502TP	4	25			
SM8030500SP	16	19			
SM8040360TP	2	26			
SM8040360TP	8	39			
SM8040412TP	2	22			
SM8041012TP	2	5			
SM8050412TP	14	11			
SM8050612TP	4	32			
SM8060412TP	4	47			
SM8060612TP	4	46			