

MODEL : MD11
List No : 1640-00

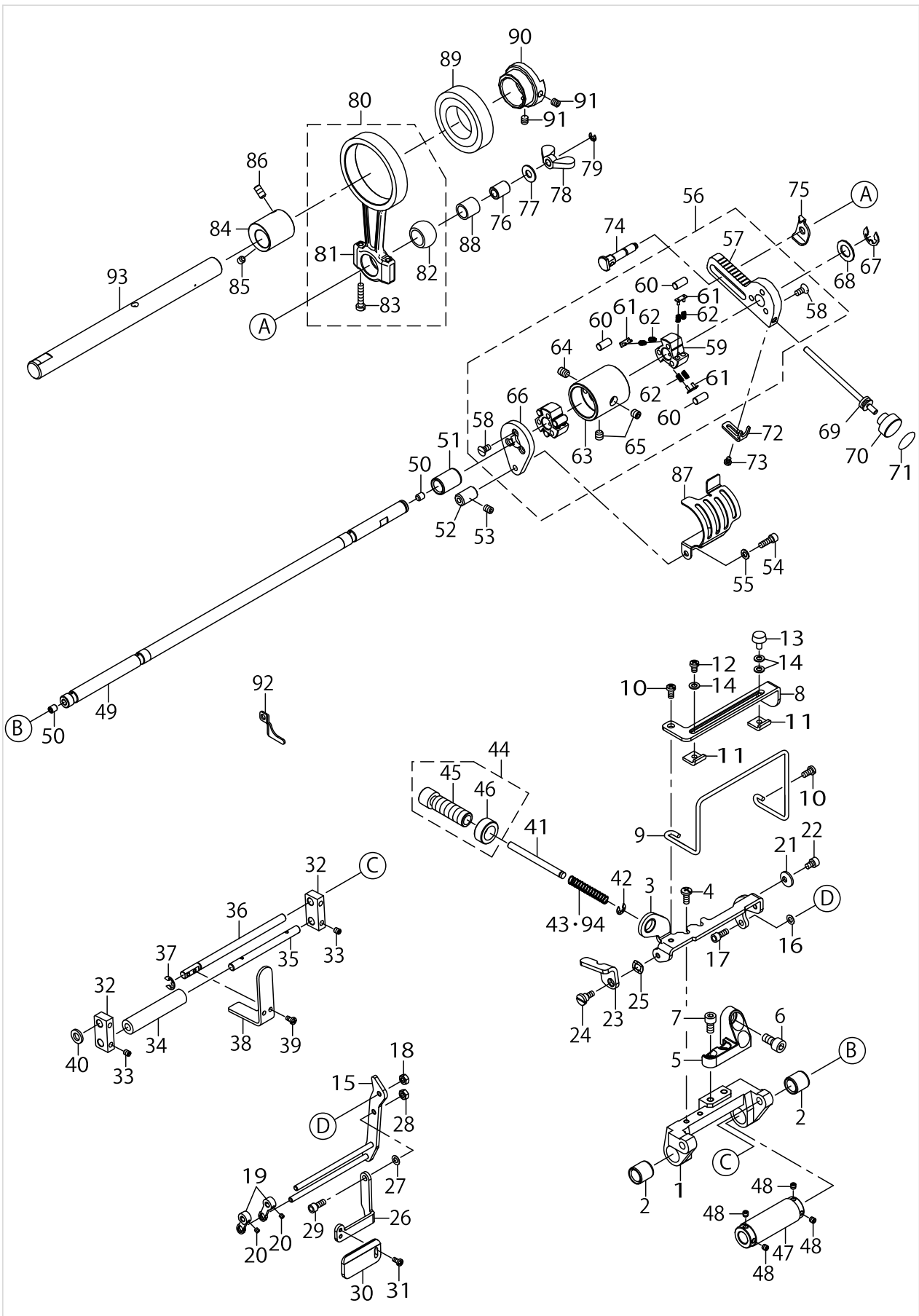
PARTS LIST

Published:09/10/2017

CONTENTS

DEVICE COMPONENTS	1
ACCESSORIE PARTS COMPONENTS	5
HOW TO MAKE USE OF THIS PARTS LIST	7

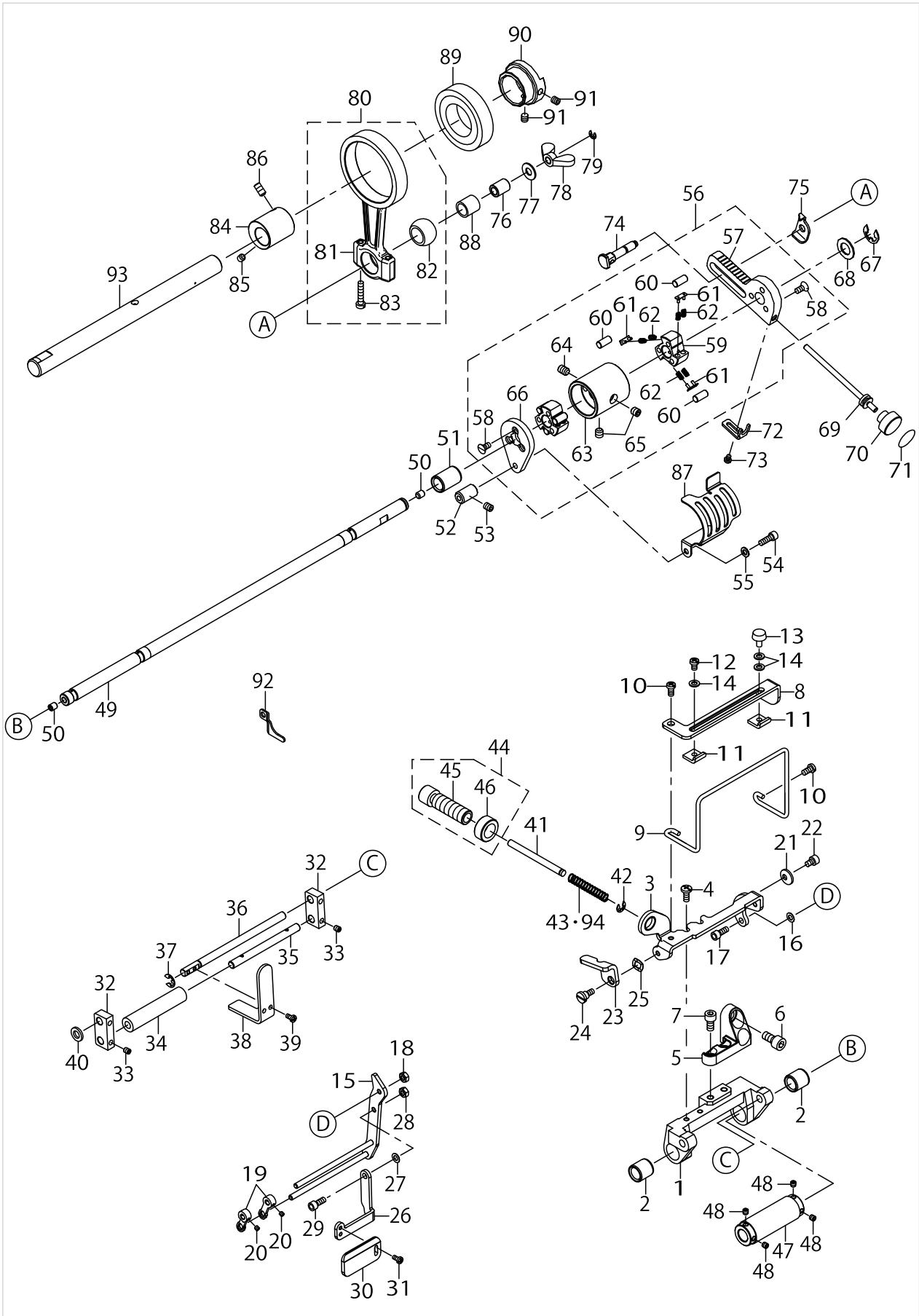
DEVICE COMPONENTS



DEVICE COMPONENTS

No.	Parts No.	Parts name	Remarks	Level	Cons	Qty
1	70003482	BASE				1
2	40061169	DRIVE_SHAFT_METAL_B				2
3	70003486	MD_BASE_PLATE				1
4	SM5041055SN	SCREW M4X10				2
5	40013671	INSTALLING_BASE				1
6	SM6061202TP	SCREW M6 L=12				2
7	SM6051002TP	SCREW M5X0.8 L=10				2
8	70003491	GUIDE_PLATE				1
9	70003479	TAPE_GUIDE				1
10	SM4040855SP	SCREW				2
11	40018265	SIDE_GUIDE_A				2
12	SM4040655SP	SCREW M4 L=6				1
13	40019379	KNOB_SCREW				1
14	WP0430800SC	WASHER M4				3
15	70003487	GUIDE_ARM_ASSY				1
16	WZ0420350KP	DISC SPRING				1
17	SM6041002TP	SCREW M4X0.7 L=10				1
18	NM6040002SN	NUT M4				1
19	40079805	TAPE_STOPPER				2
20	SM8030312TP	SCREW M3 L=3				2
21	40079808	STOPPER				1
22	SM6040602TP	SCREW M4X0.7 L=6				1
23	40019606	DRIVEN_ROLLER_STOPPER				1
24	SD0600406TP	SHOULDER SCREW				1
25	WZ0641510KP	WAVED WASHER 6.4X11X0.3				1
26	70003490	EYE_GUARD_ARM_B				1
27	WZ0420350KP	DISC SPRING				1
28	NM6040002SN	NUT M4				1
29	SM6041002TP	SCREW M4X0.7 L=10				1
30	40020003	PROTECTION_SHIELD				1
31	SM4030655SP	SCREW				2
32	40064101	DRIVEN_ROLLER_ARM				2
33	SM8040512TP	SCREW				4
34	70003480	DRIVEN_ROLLER				1
35	70003481	DRIVEN_ROLLER_SHAFT				1
36	70003492	DRIVEN_ROLLER_ARM_SHAFT				1
37	RE0500000K0	E-RING				1
38	40018261	PRESSER_PLATE				1
39	SM4030655SP	SCREW				2
40	WP0641600SC	WASHEW 6.4X12.5X1.6				1
41	40011178	PRESSER_BAR				1
42	RE0400000K0	E-RING 4				1
43	40019668	SPRING				1
44	40022666	PRESSER_SPRING_REGULATOR_ASSY				1
45	40011179	PRESSER SPRING REGULATOR		*		1
46	40011180	NUT		*		1
47	40062308	DRIVE_ROLLER				1

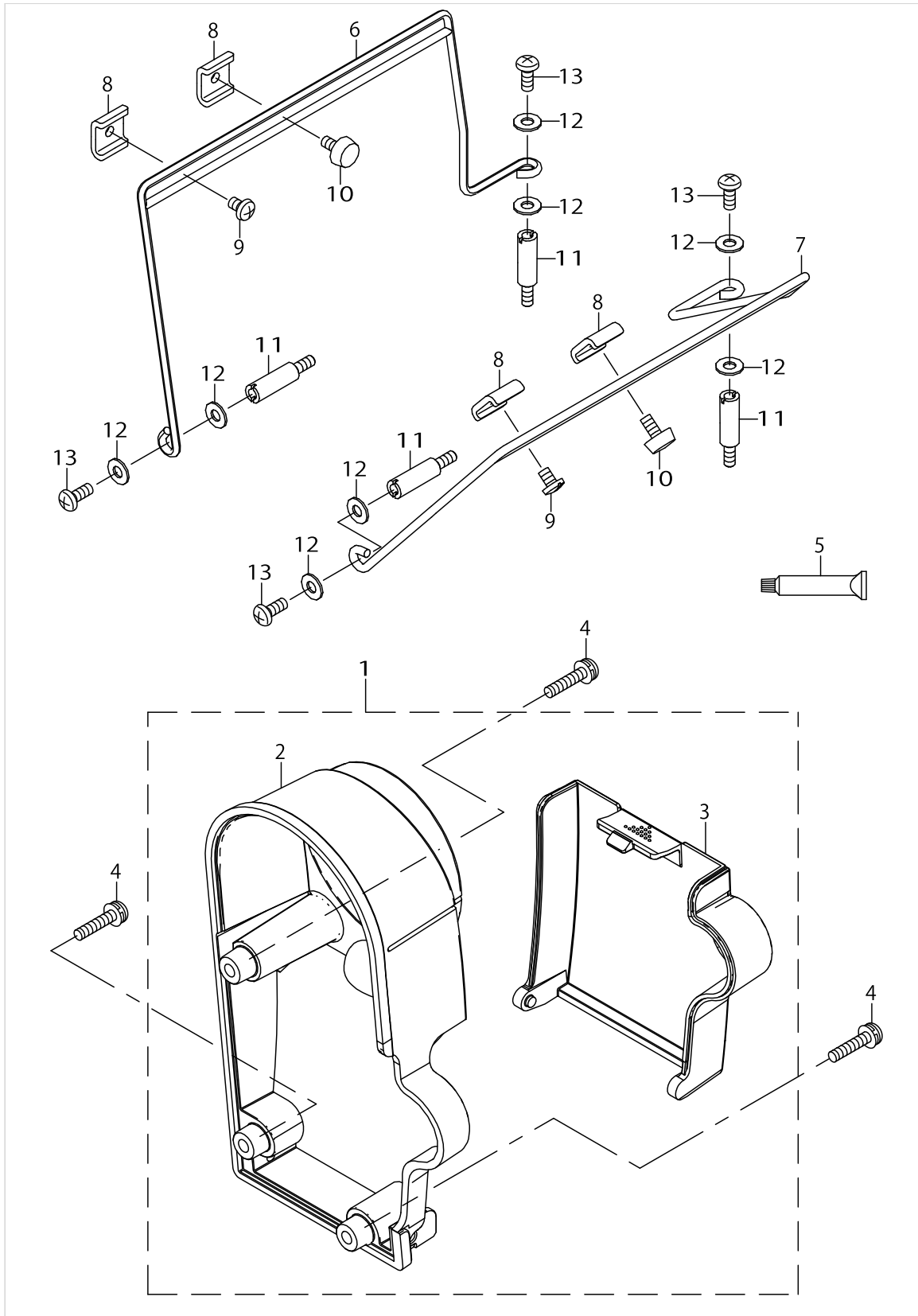
DEVICE COMPONENTS



DEVICE COMPONENTS

No.	Parts No.	Parts name	Remarks	Level	Cons	Qty
48	SM8040412TP	SET SCREW M4 L=4				4
49	70003493	DRIVE_SHAFT				1
50	SM8050612TP	SCREW M5X6				2
51	40019621	DRIVE_SHAFT_METAL_A				1
52	40011189	BUSHING				1
53	SM8050612TP	SCREW M5X6				1
54	SM6041202TP	SCREW M4X0.7 L=12				1
55	WP0430800SC	WASHER M4				1
56	40072935	CLUTCH_ASSY				1
57	40072920	FEED_REGULATOR_ARM		*		1
58	SM1040950TP	SCREW M4 L=9		*		6
59	40072914	CLUTCH		*		2
60	40072916	PIN		*		6
61	40072919	GUIDE_PLATE_ASSY		*		6
62	40072922	SPRING		*		12
63	40072915	DRUM_CLUTCH		*		1
64	SM8060812TP	SCREW M6 L=8		*		1
65	SM8060612TP	SCREW M6 L=6		*		2
66	40072921	CLUTCH_MOUNTING_PLATE		*		1
67	RE0800000K0	E-SHAPED SNAP RING (8MM)				1
68	WP1021016SD	WASHER				1
69	40101190	FEED_REGULATOR_SCREW				1
70	G6036870000	POCKET PRESSER KNOB				1
71	11212503	STOPPER DIAL PLATE				1
72	40011196	FEED_REGULATOR_FIX_PLATE				1
73	SM4030455SP	SCREW				2
74	40011198	FULCRUM_SHAFT				1
75	40011197	SCALE_POINTER				1
76	70003471	NEEDLE_INNER_RING				1
77	WP0621046SP	WASHER				1
78	NM9060610SE	WING NUT M6				1
79	RE0300000K0	E-RING 3				1
80	70003468	FEED_ROD_ASSY				1
81	70003469	FEED_ROD		*		1
82	70003470	FEED_ROD_BALL		*		1
83	SM6042000SP	SCREW		*		2
84	70003472	FEED_CAM_A				1
85	SM8050502TP	SCREW M5 L=5				1
86	SM8051002TP	SCREW M5 L=10				1
87	40101457	MD_COVER				1
88	70003465	BEARING				1
89	70003467	BEARING				1
90	70003473	FEED_CAM_B				1
91	SM8050502TP	SCREW M5 L=5				2
92	70003994	FINGER_GUARD_MD11				1
93	70003474	UPPER_MAINSHAFT_RIGHT				1
94	40075049	SPRING	OPTIONAL PARTS			1

ACCESSORIE PARTS COMPONENTS



ACCESSORIE PARTS COMPONENTS

No.	Parts No.	Parts name	Remarks	Level	Cons	Qty
1	70003475	PULLEY_COVER_ASSY				1
2	70003476	PULLEY_COVER_A		*		1
3	70003477	PULLEY_COVER_B		*		1
4	SL4042091SC	SCREW M4X0.7 L=20				3
5	13525506	GREASE TUBE				1
6	40072924	SUPPORT GUIDE C				1
7	40012144	SUPPORT_GUIDE_A				1
8	40018266	SIDE_GUIDE_B				4
9	SM5040655SN	SCREW				2
10	40019379	KNOB_SCREW				2
11	40011205	STUD				4
12	WP0450826SC	WASHER 4.5X10X0.8				8
13	SM4041055SP	SCREW				4

HOW TO MAKE USE OF THIS PARTS LIST

1.As to "#01" and "#02" refer to the "Note" given at the bottom of the respective pages.

2.Codes on the "Qty" column

- Each numeral indicates the number of parts required.
- "0.1" and "2.5" indicate the length (in meters) of the respective parts.

3.Parentheses mean that the corresponding part is a subpart that constructs an assembly part.

4.Dotted lines on the Figures indicate assembly parts.

1. リストページの# 0 1、# 0 2の印は、ページ下の"注記"の説明を参照下さい。
2. 数量欄の数字は、個数を表し、0. 1、2. 5等の数値は、長さ（単位メートル）を表します。
3. 数量欄の（ ）は、組部品を構成している子部品であることを意味します。
4. イラストページの-----枠は、組構成であることを意味します。

NUMERICAL INDEX OF PARTS

PART NO	PAGE	REF NO.	PART NO	PAGE	REF NO.	PART NO	PAGE	REF NO.
11212503	4	71	70003472	4	84	SM8051002TP	4	86
13525506	6	5	70003473	4	90	SM8060612TP	4	65
40011178	2	41	70003474	4	93	SM8060812TP	4	64
40011179	2	45	70003475	6	1	WP0430800SC	2	55
40011180	2	46	70003476	6	2	WP0430800SC	4	55
40011189	4	52	70003477	6	3	WP0450826SC	6	12
40011196	4	72	70003479	2	9	WP0621046SP	4	77
40011197	4	75	70003480	2	34	WP0641600SC	2	40
40011198	4	74	70003481	2	35	WP1021016SD	4	68
40011205	6	11	70003482	2	1	WZ0420350KP	2	27
40012144	6	7	70003486	2	3	WZ0641510KP	2	25
40013671	2	5	70003487	2	15			
40018261	2	38	70003490	2	26			
40018265	2	11	70003491	2	8			
40018266	6	8	70003492	2	36			
40019379	2	13	70003493	4	49			
40019379	6	10	70003994	4	92			
40019606	2	23	G6036870000	4	70			
40019621	4	51	NM6040002SN	2	28			
40019668	2	43-94	NM9060610SE	4	78			
40020003	2	30	RE0300000K0	4	79			
40022666	2	44	RE0400000K0	2	42			
40061169	2	2	RE0500000K0	2	37			
40062308	2	47	RE0800000K0	4	67			
40064101	2	32	SD0600406TP	2	24			
40072914	4	59	SL4042091SC	6	4			
40072915	4	63	SM1040950TP	4	58			
40072916	4	60	SM4030455SP	4	73			
40072919	4	61	SM4030655SP	2	39			
40072920	4	57	SM4040655SP	2	12			
40072921	4	66	SM4040855SP	2	10			
40072922	4	62	SM4041055SP	6	13			
40072924	6	6	SM5040655SN	6	9			
40072935	4	56	SM5041055SN	2	4			
40075049	4	43-94	SM6040602TP	2	22			
40079805	2	19	SM6041002TP	2	29			
40079808	2	21	SM6041202TP	4	54			
40101190	4	69	SM6042000SP	4	83			
40101457	4	87	SM6051002TP	2	7			
70003465	4	88	SM6061202TP	2	6			
70003467	4	89	SM8030312TP	2	20			
70003468	4	80	SM8040412TP	4	48			
70003469	4	81	SM8040512TP	2	33			
70003470	4	82	SM8050502TP	4	91			
70003471	4	76	SM8050612TP	4	53			