

MODEL : MF-7900-E11

List No : 1636-01

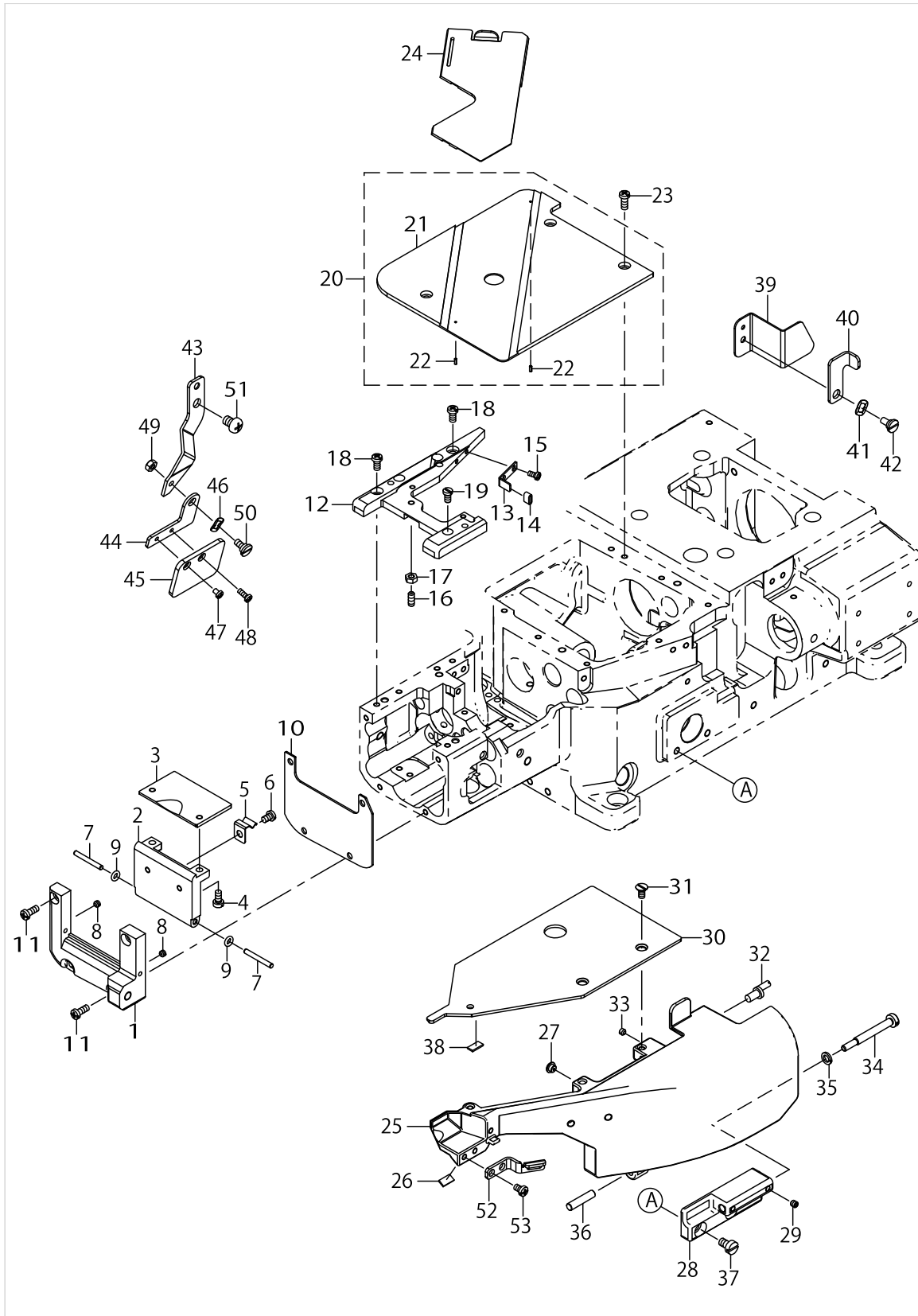
PARTS LIST

Published:09/10/2017

CONTENTS

MISCELLANEOUS COVER COMPONENTS.....	1
FABRIC TRIMMER RIGHT COMPONENTS.....	5
TAPE GUIDE COMPONENTS.....	9
GAUGE PARTS COMPONENTS.....	13
TENSION ROLLER COMPONENTS.....	17
HOW TO MAKE USE OF THIS PARTS LIST.....	21

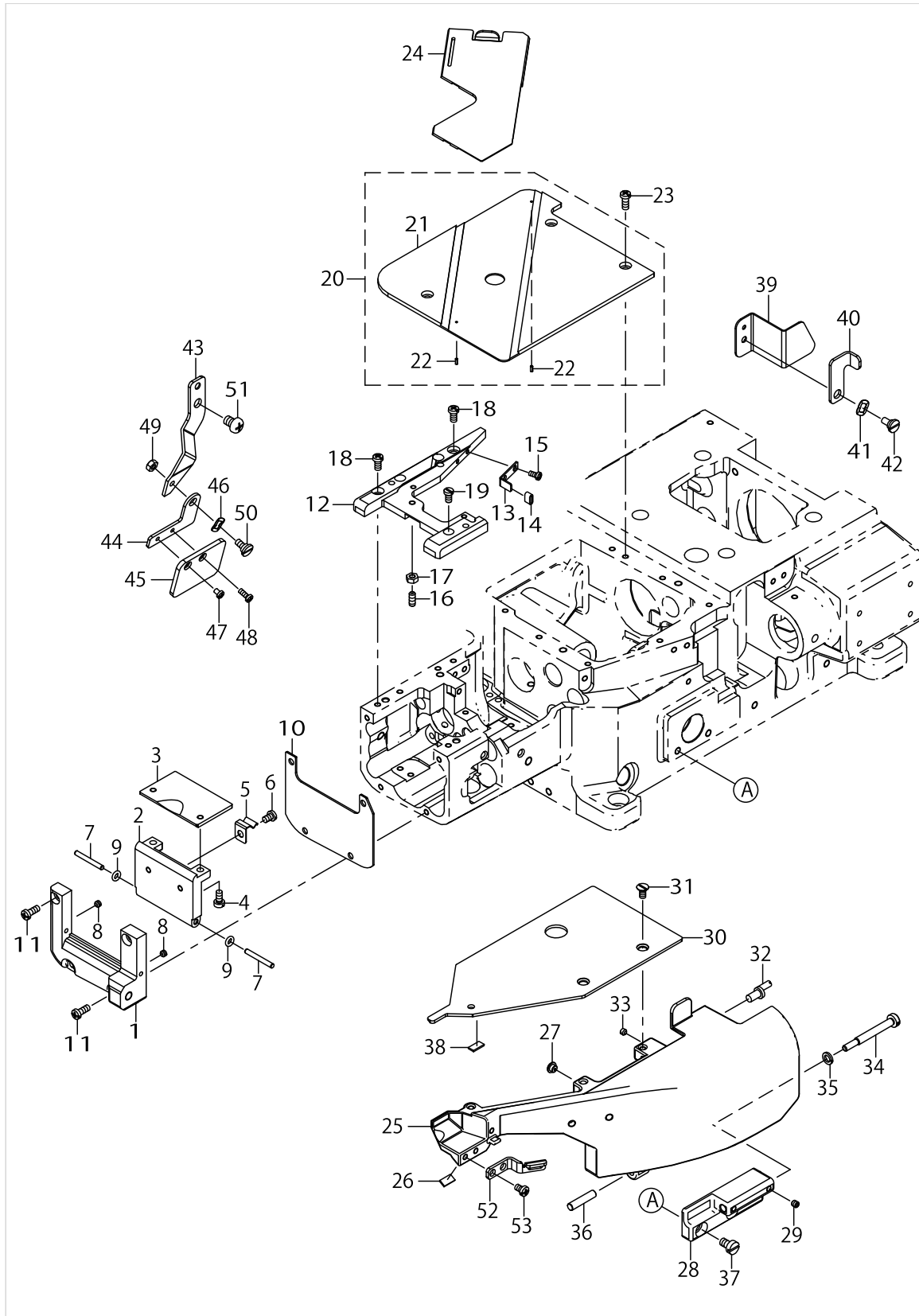
MISCELLANEOUS COVER COMPONENTS



MISCELLANEOUS COVER COMPONENTS

No.	Parts No.	Parts name	Remarks	Level	Cons	Qty
1	70003353	CYLINDER_COVER				1
2	70001655	SIDE_COVER_BOTTOM				1
3	70001653	SIDE_COVER_UPPER				1
4	SM6040800SP	SCREW				2
5	13401906	LATCH SPRING 2				1
6	SM4040655SP	SCREW M4 L=6				1
7	PH0300252C0	PIN				2
8	SM8040360TP	SCREW				2
9	RO037180100	RUBBER RING				2
10	70001661	GASKET				1
11	SM4041055SP	SCREW				4
12	70003352	THROAT_PLATE_SUPPORT_E11				1
13	13403407	SLIDE_COVER_SUPPORT				1
14	23630007	TUBE				0.01
15	SM4030655SP	SCREW				2
16	SM8041012TP	SCREW M4 L=10				1
17	NM6040001SC	NUT M4X0.7 TYPE1				1
18	SM4040855SP	SCREW				2
19	SM6040750TP	SCREW M4 L=7				1
20	70003355	CLOTH_PLATE_ASSY				1
21	70003357	CLOTH_PLATE_REAR		*		1
22	PS0150042K0	SPRING PIN 1.5X 4		*		2
23	SM4041055SP	SCREW				3
24	40016782	SLIDE_COVER				1
25	70003358	SWING_DOWN_COVER_E11				1
26	13403605	RUBBER_PLATE				1
27	13302302	RUBBER BUMPER				1
28	70001648	HINGE				1
29	SM8040412TP	SET SCREW M4 L=4				2
30	70003360	CLOTH_PLATE_FRONT_E11				1
31	SM1040800SP	SCREW				2
32	13402706	PIN FOR COVER				1
33	SM8040360TP	SCREW				1
34	70001414	SCREW				1
35	WS0510002KP	SPRING WASHER 5.1X9.2X1.3				1
36	13409800	DIFF_LINK_PIN				1
37	SM6050800SP	SCREW M5 L=8				2
38	13403605	RUBBER_PLATE				1
39	70001677	THREAD_COVER				1
40	70004056	SWING_DOWN_COVER_STOPPER				1
41	WZ0641510KP	WAVED WASHER 6.4X11X0.3				1
42	SD0640246SP	HINGE SCREW D=6.35 H=2.4				1
43	70003351	BRACKET HOLDER				1
44	40033341	BRACKET				1
45	40026641	PROTECTION_SHIELD				1
46	WZ0641510KP	WAVED WASHER 6.4X11X0.3				1
47	SM4030455SN	SCREW				1

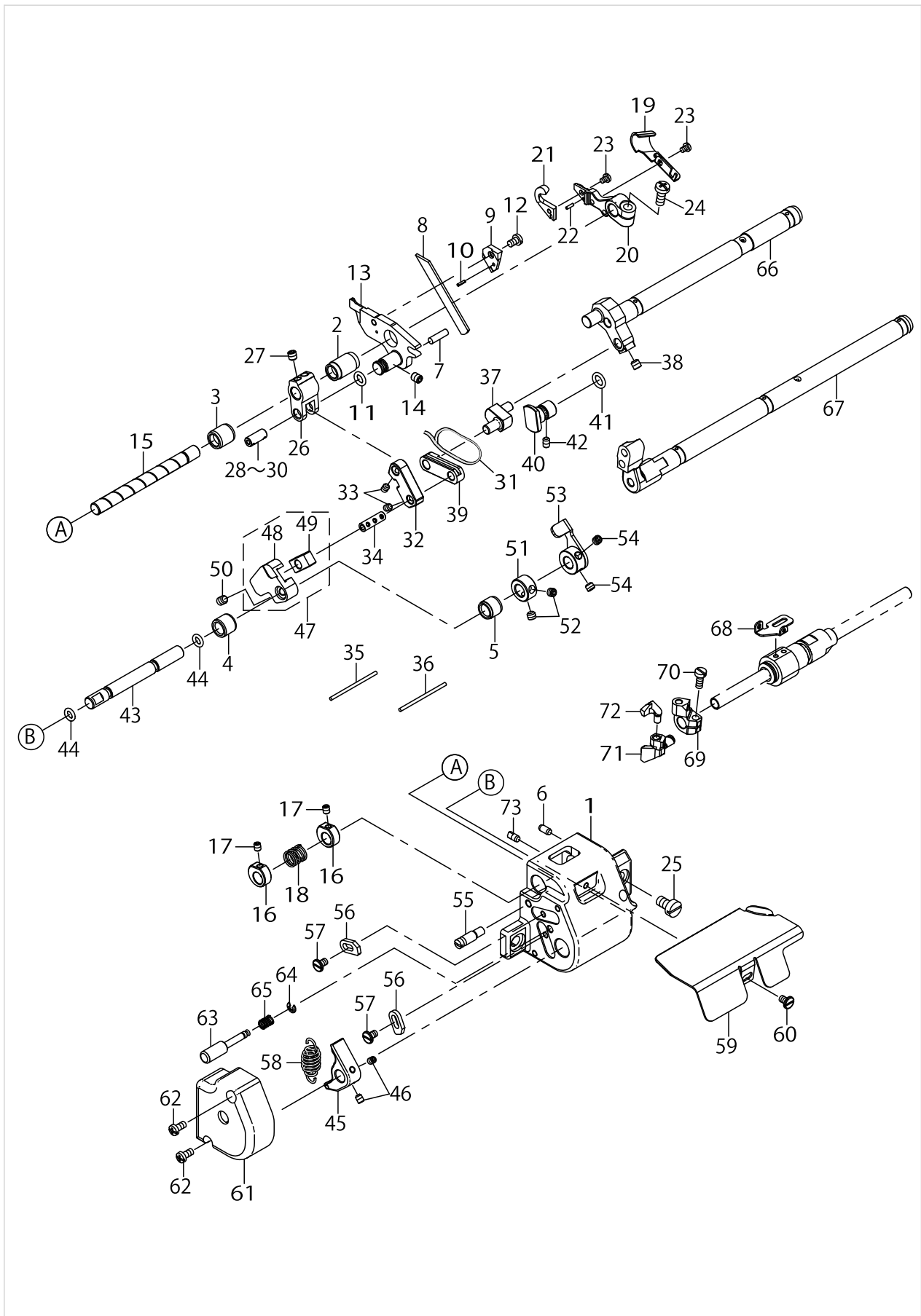
MISCELLANEOUS COVER COMPONENTS



MISCELLANEOUS COVER COMPONENTS

No.	Parts No.	Parts name	Remarks	Level	Cons	Qty
48	SM4030855SN	SCREW M3 L=8.0				1
49	NM6040000SN	NUT M4				1
50	SD0640246SP	HINGE SCREW D=6.35 H=2.4				1
51	SM4060801SE	SCREW				1
52	70003399	CLOTH_DUST_PIPE_STOPPER				1
53	SM4040655SP	SCREW M4 L=6				2

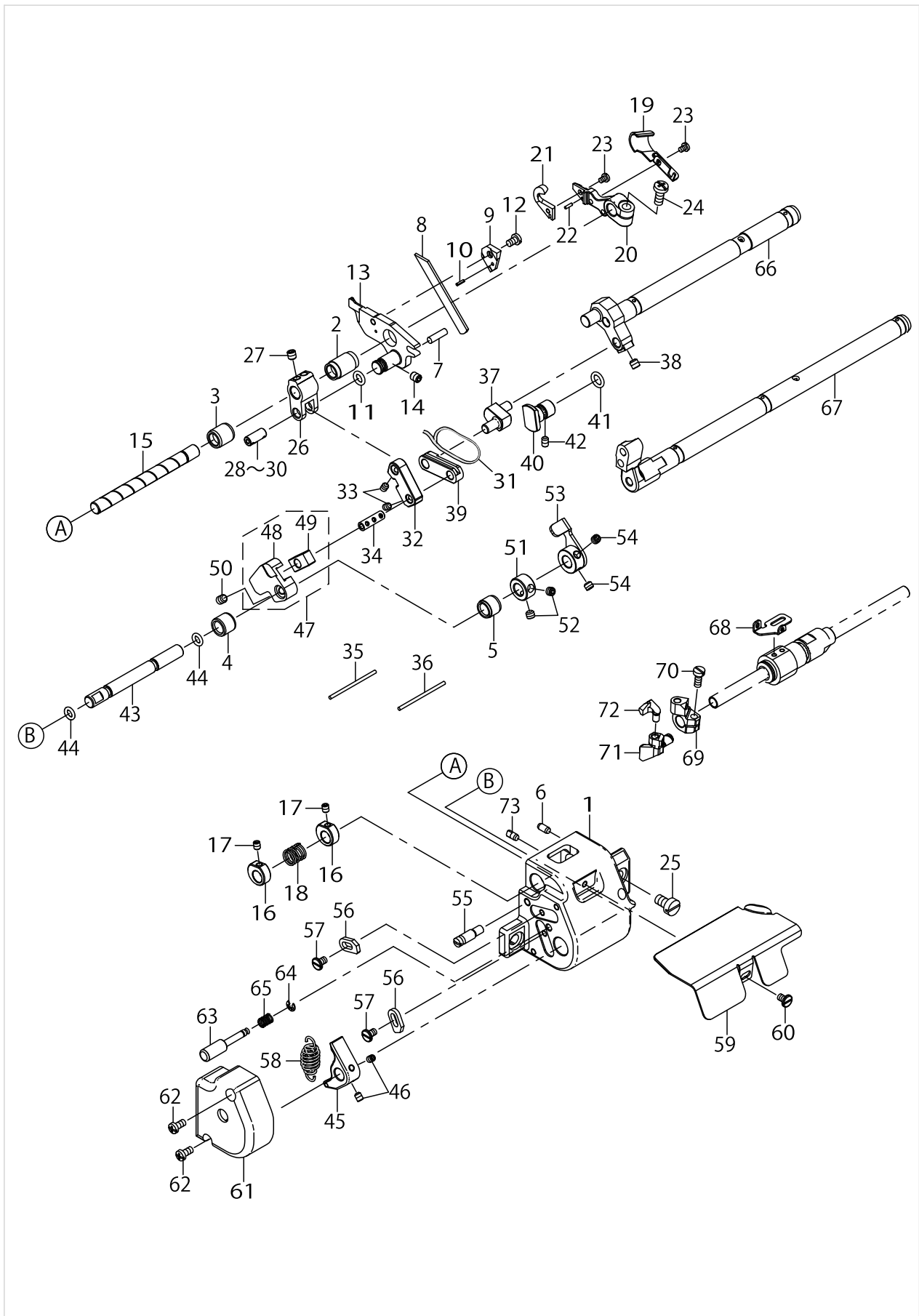
FABRIC TRIMMER RIGHT COMPONENTS



FABRIC TRIMMER RIGHT COMPONENTS

No.	Parts No.	Parts name	Remarks	Level	Cons	Qty
1	70003364	TRIMMER_BASE				1
2	70001854	BUSHING_LEFT				1
3	70003366	BUSHING_TRIMMER_SHAFT				1
4	70003367	BUSHING_TRIMMER_SHAFT_LEFT				1
5	70003368	BUSHING_SLIDER_SHAFT_RIGHT				1
6	13302500	DOWEL PIN 2				2
7	11846805	HOLDER PIN				1
8	40038091	LOWER_KNIFE				1
9	40038511	LOWER_KNIFE_PRESSER_PLATE				1
10	PS0150065KP	SPRING PIN 1.5X6				1
11	RO055200100	RUBBER RING				1
12	SM4040655SP	SCREW M4 L=6				1
13	70003369	FIXED_KNIFE_BASE				1
14	SM8050612TP	SCREW M5X6				1
15	70003370	FABRIC_TRIMMER_SHAFT				1
16	70003371	THRUST_COLLAR				2
17	SM8040512TP	SCREW				2
18	40010553	KNIFE_SPRING				1
19	70004253	CHIP_GUARD				1
20	40040137	MOVING_KNIFE_BASE				1
21	70003483	MOVING_KNIFE				1
22	PH0150065C0	PIN				1
23	SM4030455SP	SCREW				3
24	SM4051255SP	SCREW.,M5 L=12.				1
25	SM6061010TP	SCREW M6 L=10				2
26	70003372	TRIMMER_SHAFT_ARM				1
27	SM8050512TP	SCREW				2
28	13412002	MAIN FEED LINK PIN A	SELECTIVE PARTS			1
29	13412101	MAIN FEED LINK PIN B	SELECTIVE PARTS			1
30	13412200	MAIN FEED LINK PIN C	SELECTIVE PARTS			1
31	CQ202000000	COTTON OIL WICK D=2				0.19
32	70003373	LINK				1
33	SM8040512TP	SCREW				2
34	13131602	UPPER LOOPER HOLDER PIN E				1
35	CQ202000000	COTTON OIL WICK D=2				0.04
36	CQ200000000	OIL WICK				0.04
37	70003374	ADJUST_PIN				1
38	SM8050512TP	SCREW				1
39	70003375	LINK_SHORT				1
40	70003376	LINK_GUIDE				1
41	RO068190100	RUBBER RING				1
42	SM8040612TP	SCREW M4 L=6				1
43	70003377	SLIDER_SHAFT				1
44	RO048190100	RUBBER RING				2
45	70003378	SPRING_LEVER				1
46	SM8040512TP	SCREW				2
47	70003394	SLIDER_GUIDE_ASSY				1

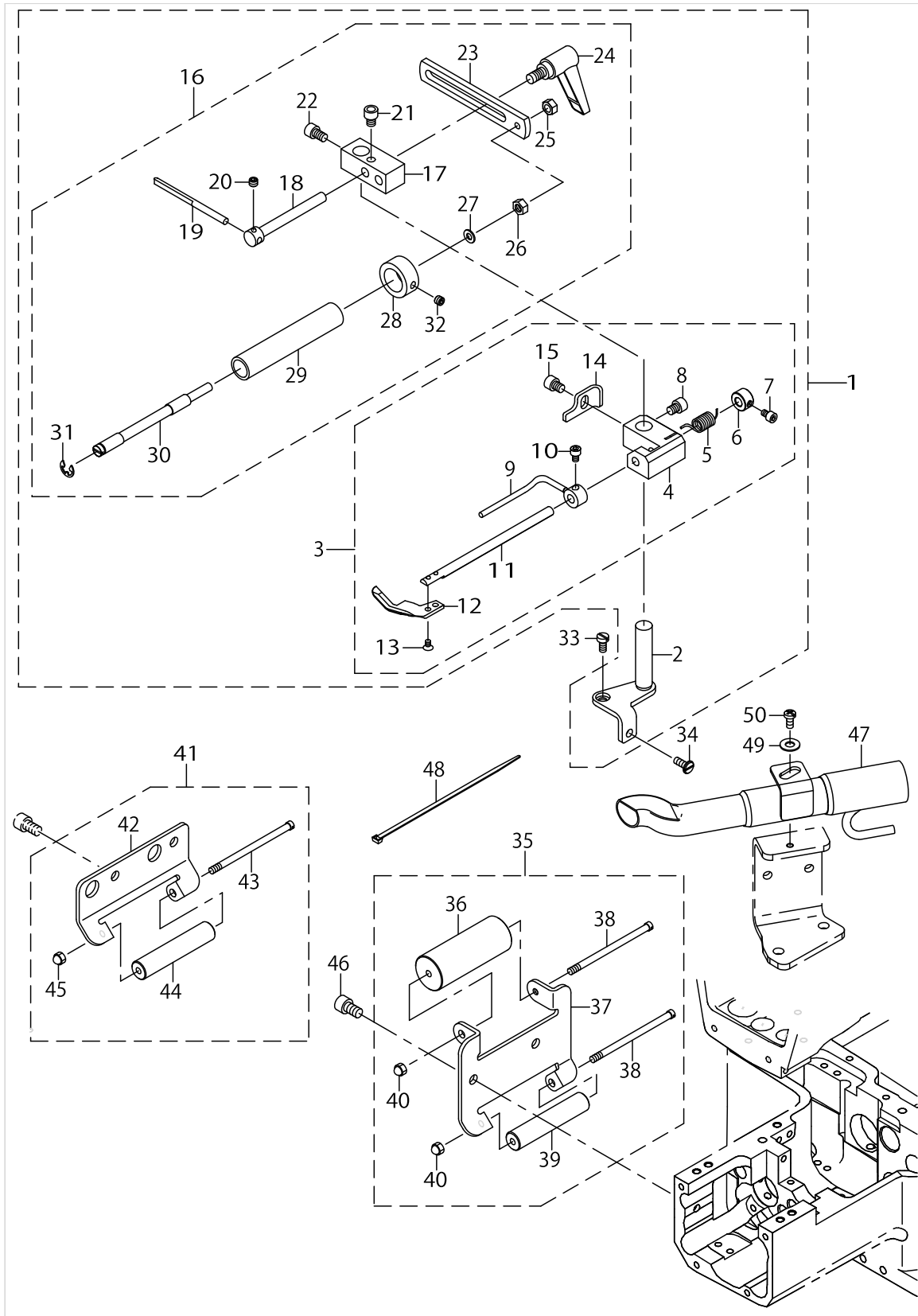
FABRIC TRIMMER RIGHT COMPONENTS



FABRIC TRIMMER RIGHT COMPONENTS

No.	Parts No.	Parts name	Remarks	Level	Cons	Qty
48	70003379	SLIDER_GUIDE		*		1
49	70003389	SLIDER_BLOCK		*		1
50	SM8050612TP	SCREW M5X6				1
51	CS0800881TP	THRUST COLLAR				1
52	SM8050412TP	SCREW M5 L=4				2
53	70003380	HAND_LEVER				1
54	SM8050412TP	SCREW M5 L=4				2
55	40040963	TENSION_SPRING_RACK_B				1
56	70003383	STOPPER				2
57	SM6040650TP	SCREW				2
58	14420004	SPURING				1
59	70003384	GUIDE_CIRCLE				1
60	SM6040650TP	SCREW				1
61	70003385	SIDE_COVER				1
62	SM4040855SP	SCREW				2
63	70003390	PIN				1
64	RE0300000K0	E-RING 3				1
65	13123302	ADJUSTING SPRING				1
66	40038099	FEED_LIFT_SHAFT				1
67	70003346	DIFF_FEED_SHAFT_E11				1
68	70003363	THREAD_GUIDE				1
69	70003427	LOOPER_HOLDER				1
70	SM6041000SP	SCREW M4 L=10				1
71	70003425	HOLDER_FRONT_NEEDLE_GUARD				1
72	70003426	FRONT_NEEDLE_GUARD				1
73	13301908	DOWEL PIN				1

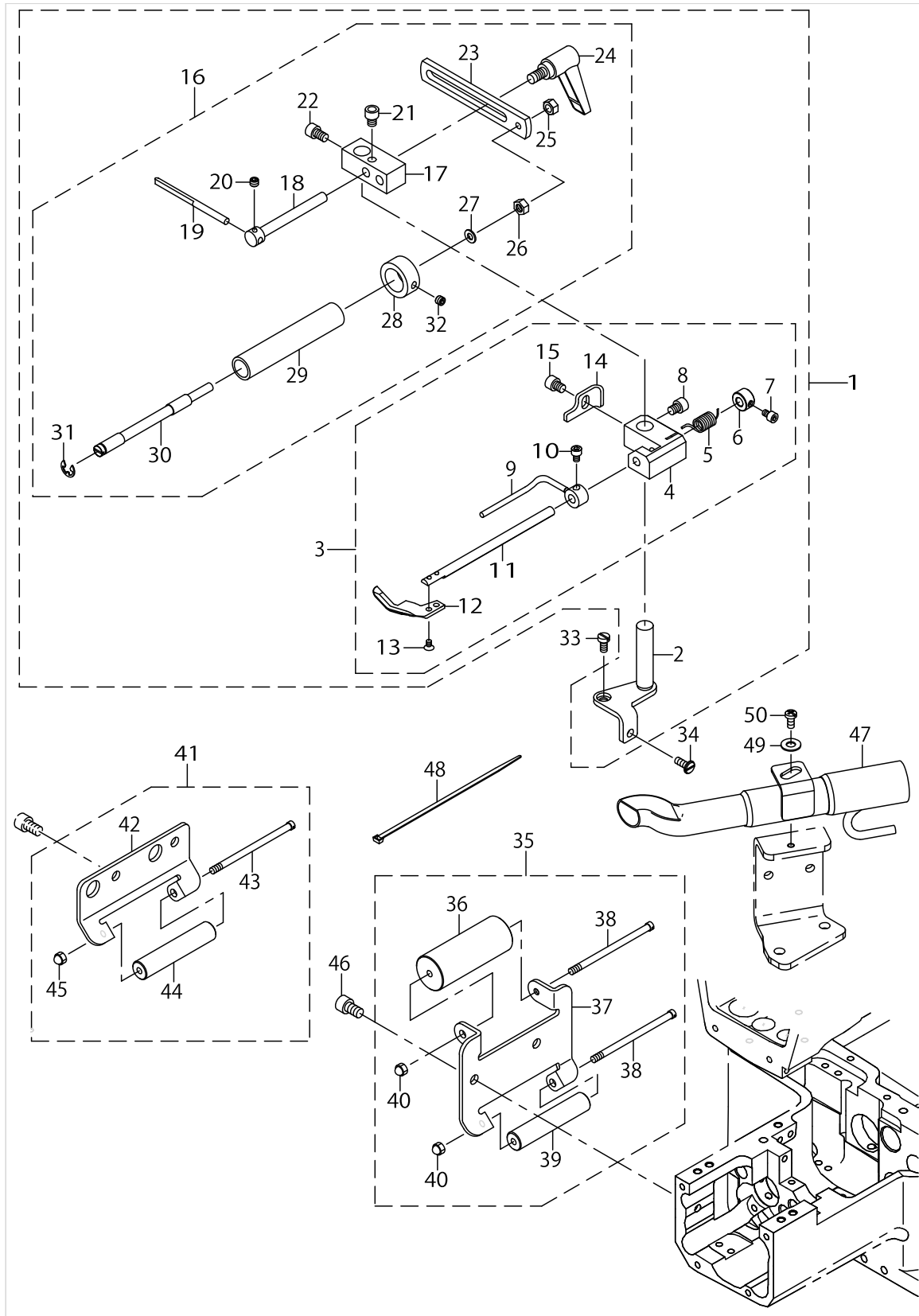
TAPE GUIDE COMPONENTS



TAPE GUIDE COMPONENTS

No.	Parts No.	Parts name	Remarks	Level	Cons	Qty
1	40024947	ELASTIC_ATTACHING_DEVICE_ASSY				1
2	40020050	STUD_ASSEMBLY		*		1
3	40020053	HOLD_DOWN_PLATE_ASSY		*		1
4	40020055	BRACKET		*		1
5	40020060	SPRING		*		1
6	CS0550781CB	THRUST COLLAR D=5.5 W=7		*		1
7	SM6040502TP	SCREW M4X0.7 L=5		*		1
8	SM6050652TP	HEXAGON SOCKET HEAD SCREW M5X6		*		1
9	40020057	LEVER_ASSEMBLY		*		1
10	SM6040502TP	SCREW M4X0.7 L=5		*		1
11	40020062	SHAFT		*		1
12	40020054	HOLD_DOWN_PLATE		*		1
13	SM1030501SN	SCREW M3 L=5		*		2
14	40020056	STOPPER		*		1
15	SM6050652TP	HEXAGON SOCKET HEAD SCREW M5X6		*		1
16	40020063	ELASTIC_ATTACHING_DEVICE		*		1
17	40020064	SUPPORT		*		1
18	40020066	HOLDER		*		1
19	40020067	ELASTIC_GUIDE		*		1
20	SM8040302TP	SETSCREW		*		1
21	SM6050652TP	HEXAGON SOCKET HEAD SCREW M5X6		*		1
22	SM6050802TP	SCREW M5X0.8 L=8		*		1
23	40020065	BRACKET		*		1
24	40020071	CLAMP_LEVER M6 L=12		*		1
25	NM6050002SE	NUT M5		*		1
26	NM6050002SE	NUT M5		*		1
27	WP0550836SC	WASHER 5.5X12X0.8		*		1
28	40020070	COLLAR		*		1
29	40020069	ROLLER		*		1
30	40020068	SHAFT		*		1
31	RE0500000K0	E-RING		*		1
32	SM8040412TP	SET SCREW M4 L=4		*		1
33	SM6040800SP	SCREW				1
34	SM6040650TP	SCREW				1
35	40026582	REAR_ROLLER_ASSY_2	WITHOUT PULLER MODELS (ACCESSORIES PARTS)			1
36	40021836	REAR_ROLLER_LARGE		*		1
37	40021835	BRACKET_REAR_ROLLER_2		*		1
38	40021838	SHAFT_REAR_ROLLER		*		2
39	40021837	REAR_ROLLER_SMALL		*		1
40	NM7040032SC	HEXAGONAL CAP NUT, TYPE 3 M4		*		2
41	40026581	REAR_ROLLER_ASSY_1	WITH PULLER MODELS (ACCESSORIES PARTS)			1
42	40021834	BRACKET_REAR_ROLLER_1		*		1
43	40021838	SHAFT_REAR_ROLLER		*		1
44	40021837	REAR_ROLLER_SMALL		*		1
45	NM7040032SC	HEXAGONAL CAP NUT, TYPE 3 M4		*		1
46	SM6060802TP	SCREW M6 L=8				2

TAPE GUIDE COMPONENTS

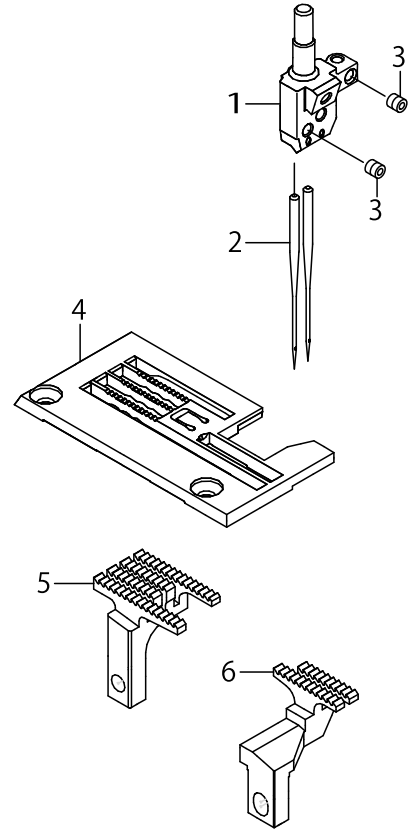
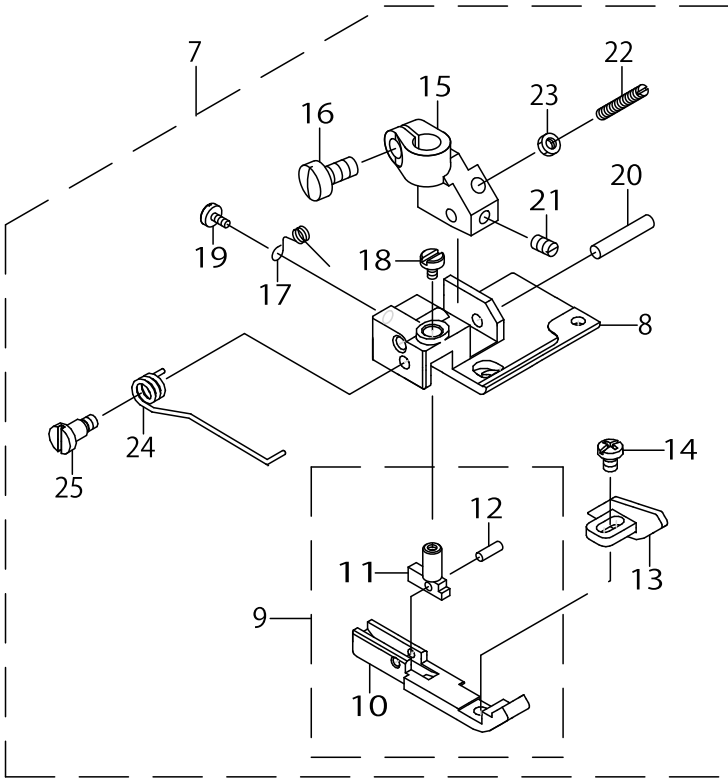


TAPE GUIDE COMPONENTS

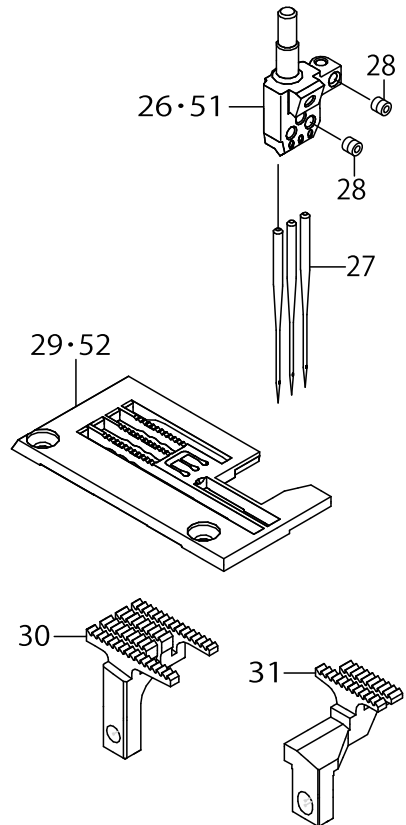
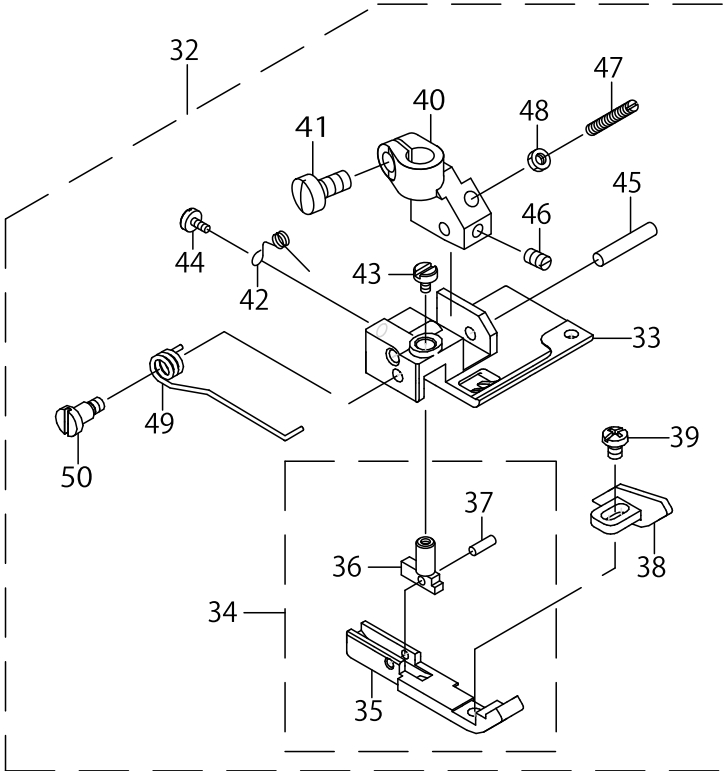
No.	Parts No.	Parts name	Remarks	Level	Cons	Qty
47	70003395	ASSY_CLOTH_DUST_PIPE				1
48	EA9500B0200	CABLE BAND 150				1
49	WP0551626SD	WASHER 5.5X22.0X1.6				1
50	SM4040855SP	SCREW				1

GAUGE PARTS COMPONENTS

MF-7922-E11-B40



MF-7923-E11-B56
MF-7923-E11-B64

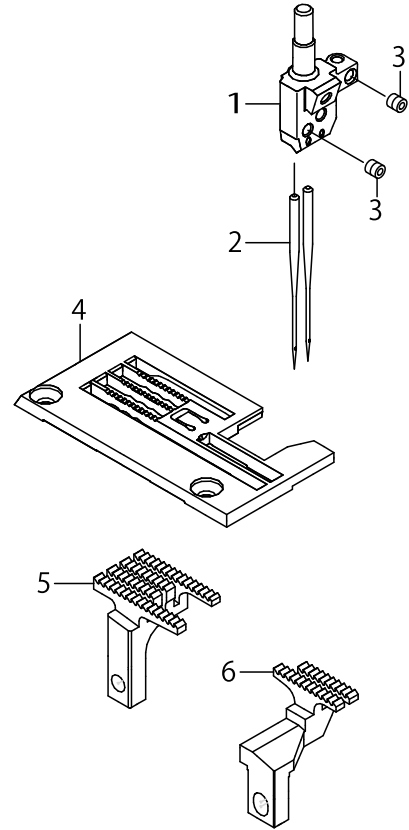
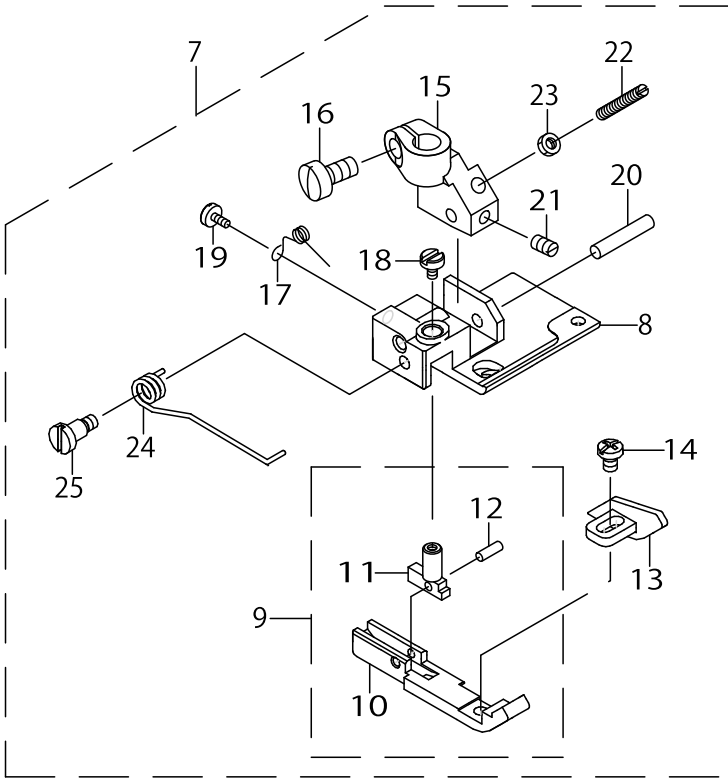


GAUGE PARTS COMPONENTS

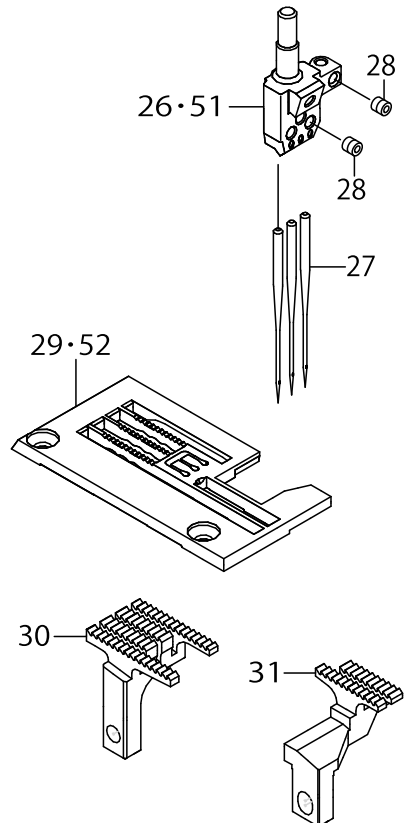
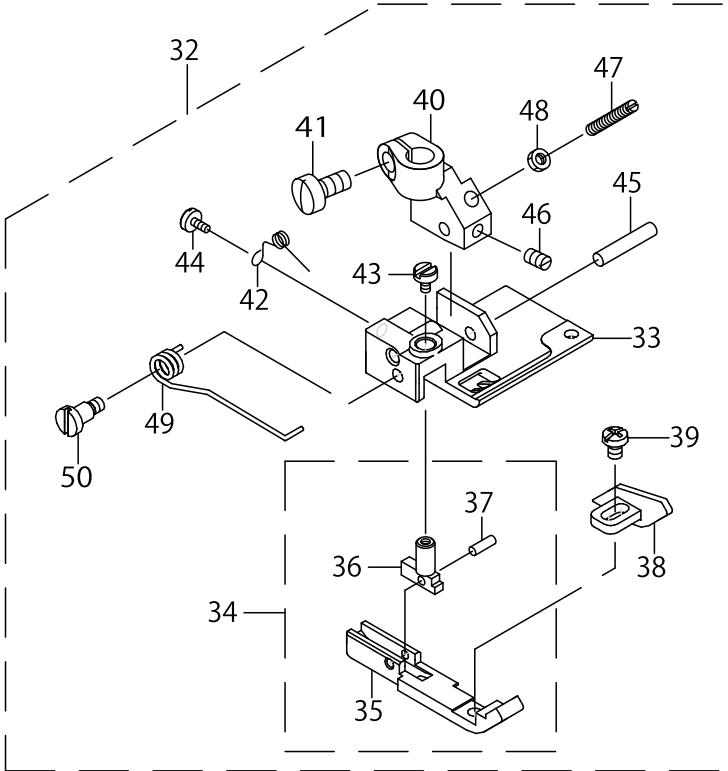
No.	Parts No.	Parts name	Remarks	Level	Cons	Qty
1	13350103	NEEDLE_HEAD_40				1
2	MUY128S1000	NEEDLE				2
3	SM8030312TP	SCREW M3 L=3				3
4	13356001	THROAT_PLATE				1
5	13430806	MAIN_FEED_DOG				1
6	13433107	DIFF_FEED_DOG				1
7	40022100	PRESSER_FOOT_40_ASSY				1
8	40022103	PRESSER_FOOT_BOTTOM_40		*		1
9	40022106	YIELDING_SECTION_ASSY		*		1
10	40022107	YIELDING_SECTION		*		1
11	13377205	YIELDING_SECTION_SHANK		*		1
12	13377304	PIVOT_PIN		*		1
13	40022108	KNIFE_GUIDE		*		1
14	SM4030455SP	SCREW		*		1
15	13376504	PRESSER_FOOT_SHANK		*		1
16	SM7040800SL	SCREW		*		1
17	13376603	YIELDING_SECTION_SPRING		*		1
18	13376702	THREAD_SPRING_SCREW		*		1
19	SM4030455SP	SCREW		*		1
20	PH0300162C0	PARALLEL PIN 3X16		*		1
21	SM8030500SP	SCREW		*		1
22	13376801	SCREW_FOR_PRESSER_FOOT		*		1
23	NM6030001SD	NUT M3X0.5		*		1
24	40022109	YIELDING_SECTIONSPRING		*		1
25	13377809	GUIDE_SCREW		*		1
26	13350301	NEEDLE_HEAD_56	FOR MF-7923-E11-B56			1
27	MUY128S1000	NEEDLE				3
28	SM8030312TP	SCREW M3 L=3				4
29	13356209	THROAT_PLATE	FOR MF-7923-E11-B56			1
30	13430905	MAIN_FEED_DOG				1
31	13433206	DIFF_FEED_DOG				1
32	40022101	PRESSER_FOOT_56_ASSY				1
33	40022104	PRESSER_FOOT_BOTTOM_56		*		1
34	40022106	YIELDING_SECTION_ASSY		*		1
35	40022107	YIELDING_SECTION		*		1
36	13377205	YIELDING_SECTION_SHANK		*		1
37	13377304	PIVOT_PIN		*		1
38	40022108	KNIFE_GUIDE		*		1
39	SM4030455SP	SCREW		*		1
40	13376504	PRESSER_FOOT_SHANK		*		1
41	SM7040800SL	SCREW		*		1
42	13376603	YIELDING_SECTION_SPRING		*		1
43	13376702	THREAD_SPRING_SCREW		*		1
44	SM4030455SP	SCREW		*		1
45	PH0300162C0	PARALLEL PIN 3X16		*		1
46	SM8030500SP	SCREW		*		1
47	13376801	SCREW_FOR_PRESSER_FOOT		*		1

GAUGE PARTS COMPONENTS

MF-7922-E11-B40



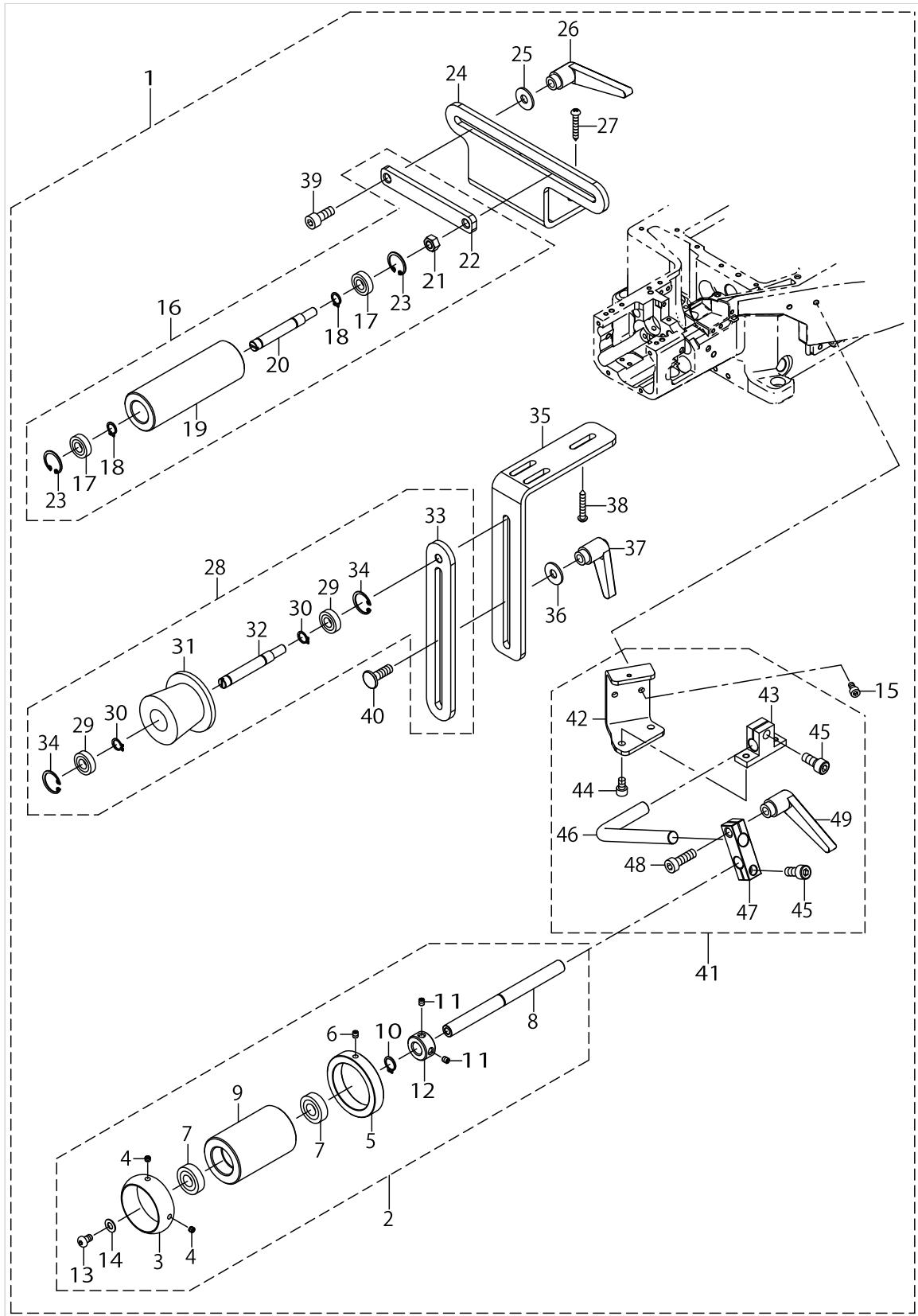
MF-7923-E11-B56
MF-7923-E11-B64



GAUGE PARTS COMPONENTS

No.	Parts No.	Parts name	Remarks	Level	Cons	Qty
48	NM6030001SD	NUT M3X0.5		*		1
49	40022109	YIELDING_SECTIONSPRING		*		1
50	13377809	GUIDE_SCREW		*		1
51	13350400	NEEDLE_HEAD_64	FOR MF-7923-E11-B64			1
52	13356308	THROAT_PLATE	FOR MF-7923-E11-B64			1

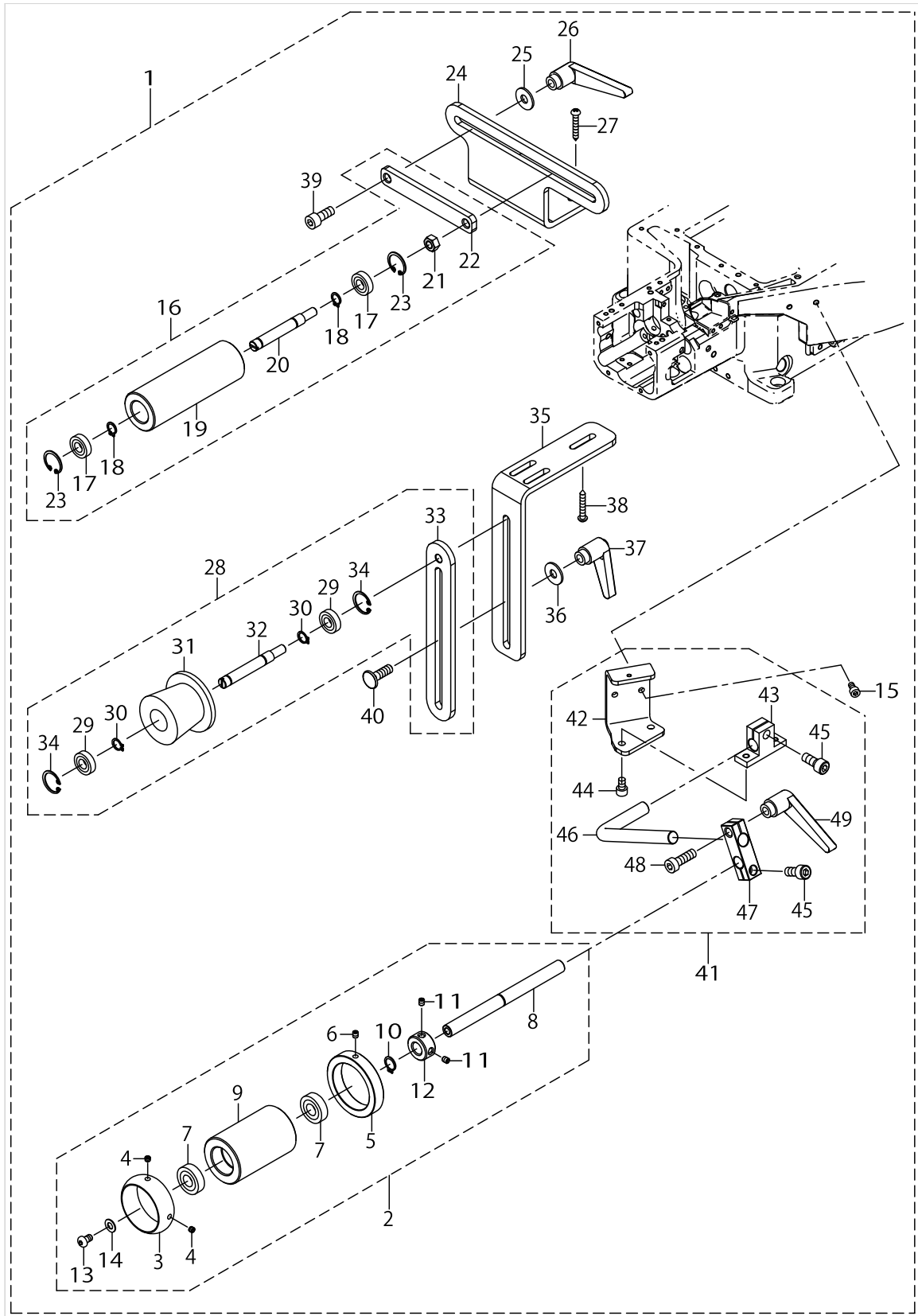
TENSION ROLLER COMPONENTS



TENSION ROLLER COMPONENTS

No.	Parts No.	Parts name	Remarks	Level	Cons	Qty
1	70003687	MF-7900-E11_TENSION_ROLLER_ASSY				1
2	40031141	FRONT_ROLLER_SUB_ASSEMBLY		*		1
3	40024938	CLOTH_GUIDE		*		1
4	SM8050412TP	SCREW M5 L=4		*		2
5	40021845	COLLAR_LARGE		*		1
6	SM8050612TP	SCREW M5X6		*		1
7	SB112000200	BEARING		*		2
8	40030143	ROLLER_SHAFT		*		1
9	40030144	FRONT_ROLLER		*		1
10	RC1200001KP	C-SHAPED SNAP RING		*		1
11	SM8050612TP	SCREW M5X6		*		2
12	40030284	COLLAR		*		1
13	SM3061052TP	SCREW M6 L=10		*		1
14	WP0621016SD	WASHER 6.2X13X1		*		1
15	SM6051002TP	SCREW M5X0.8 L=10		*		2
16	40031142	REAR_ROLLER_SUB_ASSEMBLY		*		1
17	SB110000900	BEARING		*		2
18	RC0100001KP	SNAP RING M10		*		2
19	40030148	REAR_ROLLER		*		1
20	40030147	REAR_SHAFT		*		1
21	NM6080001SC	NUT M8X1.25		*		1
22	40030149	REAR_LEVER		*		1
23	RC2200002KP	RETAINING RING		*		2
24	40030150	REAR_BRACKET		*		1
25	WP0851846SC	WASHER 8.5X22.0X1.8		*		1
26	40031043	CLAMP_LEVER		*		1
27	SK3483201SE	WOOD SCREW D=4.8 L=32		*		3
28	40031143	LOWER_ROLLER_SUB_ASSEMBLY		*		1
29	SB110000900	BEARING		*		2
30	RC0100001KP	SNAP RING M10		*		2
31	40030141	LOWER_ROLLER		*		1
32	40030142	LOWER_ROLLER_SHAFT		*		1
33	40030152	ROLLER_PLATE		*		1
34	RC2200002KP	RETAINING RING		*		2
35	40024944	L_PLATE		*		1
36	WP0851846SC	WASHER 8.5X22.0X1.8		*		1
37	40031043	CLAMP_LEVER		*		1
38	SK3483201SE	WOOD SCREW D=4.8 L=32		*		3
39	SM6082002TP	SCREW M8 L=20		*		1
40	MTJMS000100	BOLT M8 L=25		*		1
41	70003422	FRONT_ROLLER_BRACKET_ASSY		*		1
42	70003391	TENSION_ROLLER_BRACKET		*		1
43	70003393	BRACKET		*		1
44	SM6061002TP	SCREW M6 L=10		*		2
45	SM6081802TP	SCREW		*		2
46	70003392	TENSION_ROLLER_SHAFT		*		1
47	40030151	BLOCK		*		1

TENSION ROLLER COMPONENTS



TENSION ROLLER COMPONENTS

No.	Parts No.	Parts name	Remarks	Level	Cons	Qty
48	SM6082502TP	SCREW M8 L=25		*		1
49	40031043	CLAMP_LEVER		*		1

HOW TO MAKE USE OF THIS PARTS LIST

- 1.As to "#01" and "#02" refer to the "Note" given at the bottom of the respective pages.
- 2.Codes on the "Qty" column
 - Each numeral indicates the number of parts required.
 - "0.1" and "2.5" indicate the length (in meters) of the respective parts.
- 3.Parentheses mean that the corresponding part is a subpart that constructs an assembly part.
- 4.Dotted lines on the Figures indicate assembly parts.

1. リストページの# 0 1、# 0 2の印は、ページ下の"注記"の説明を参照下さい。
2. 数量欄の数字は、個数を表し、0. 1、2. 5等の数値は、長さ（単位メートル）を表します。
3. 数量欄の（ ）は、組部品を構成している子部品であることを意味します。
4. イラストページの-----枠は、組構成であることを意味します。

ALL PARTS NOT MENTIONED IN THIS PARTS LIST ARE SAME AS THOSE OF
MODEL MF-7900. OTHER PARTS LIST RELATED TO THIS MODEL.
*MF-7900. (NO.1599 PART NO.70002009)

このパーツリスト記載以外の部品はMF-7900.と共通です。
この機種に関連するパーツリストとして下記のパーツリストがあります。
* MF-7900. (NO.1599 品番70002009)

NUMERICAL INDEX OF PARTS

PART NO	PAGE	REF NO.	PART NO	PAGE	REF NO.	PART NO	PAGE	REF NO.
11846805	6	7	40020064	10	17	40033341	2	44
13123302	8	65	40020065	10	23	40038091	6	8
13131602	6	34	40020066	10	18	40038099	8	66
13301908	8	73	40020067	10	19	40038511	6	9
13302302	2	27	40020068	10	30	40040137	6	20
13302500	6	6	40020069	10	29	40040963	8	55
13350103	14	1	40020070	10	28	70001414	2	34
13350301	14	26·51	40020071	10	24	70001648	2	28
13350400	16	26·51	40021834	10	42	70001653	2	3
13356001	14	4	40021835	10	37	70001655	2	2
13356209	14	29·52	40021836	10	36	70001661	2	10
13356308	16	29·52	40021837	10	44	70001677	2	39
13376504	14	40	40021838	10	43	70001854	6	2
13376603	14	42	40021845	18	5	70003346	8	67
13376702	14	43	40022100	14	7	70003351	2	43
13376801	14	47	40022101	14	32	70003352	2	12
13377205	14	36	40022103	14	8	70003353	2	1
13377304	14	37	40022104	14	33	70003355	2	20
13377809	14	50	40022106	14	34	70003357	2	21
13377809	16	50	40022107	14	35	70003358	2	25
13401906	2	5	40022108	14	38	70003360	2	30
13402706	2	32	40022109	14	49	70003363	8	68
13403407	2	13	40022109	16	49	70003364	6	1
13403605	2	38	40024938	18	3	70003366	6	3
13409800	2	36	40024944	18	35	70003367	6	4
13412002	6	28~30	40024947	10	1	70003368	6	5
13412101	6	28~30	40026581	10	41	70003369	6	13
13412200	6	28~30	40026582	10	35	70003370	6	15
13430806	14	5	40026641	2	45	70003371	6	16
13430905	14	30	40030141	18	31	70003372	6	26
13433107	14	6	40030142	18	32	70003373	6	32
13433206	14	31	40030143	18	8	70003374	6	37
14420004	8	58	40030144	18	9	70003375	6	39
23630007	2	14	40030147	18	20	70003376	6	40
40010553	6	18	40030148	18	19	70003377	6	43
40016782	2	24	40030149	18	22	70003378	6	45
40020050	10	2	40030150	18	24	70003379	8	48
40020053	10	3	40030151	18	47	70003380	8	53
40020054	10	12	40030152	18	33	70003383	8	56
40020055	10	4	40030284	18	12	70003384	8	59
40020056	10	14	40031043	18	49	70003385	8	61
40020057	10	9	40031043	20	49	70003389	8	49
40020060	10	5	40031141	18	2	70003390	8	63
40020062	10	11	40031142	18	16	70003391	18	42
40020063	10	16	40031143	18	28	70003392	18	46

NUMERICAL INDEX OF PARTS

PART NO	PAGE	REF NO.	PART NO	PAGE	REF NO.	PART NO	PAGE	REF NO.
70003393	18	43	SM1030501SN	10	13	SM8050412TP	18	4
70003394	6	47	SM1040800SP	2	31	SM8050512TP	6	38
70003395	12	47	SM3061052TP	18	13	SM8050612TP	6	50
70003399	4	52	SM4030455SN	2	47	SM8050612TP	8	50
70003422	18	41	SM4030455SP	6	23	SM8050612TP	18	11
70003425	8	71	SM4030455SP	14	44	WP0550836SC	10	27
70003426	8	72	SM4030655SP	2	15	WP0551626SD	12	49
70003427	8	69	SM4030855SN	4	48	WP0621016SD	18	14
70003483	6	21	SM4040655SP	2	53	WP0851846SC	18	36
70003687	18	1	SM4040655SP	4	53	WS0510002KP	2	35
70004056	2	40	SM4040655SP	6	12	WZ0641510KP	2	46
70004253	6	19	SM4040855SP	2	18			
CQ200000000	6	36	SM4040855SP	8	62			
CQ202000000	6	35	SM4040855SP	12	50			
CS0550781CB	10	6	SM4041055SP	2	23			
CS0800881TP	8	51	SM4051255SP	6	24			
EA9500B0200	12	48	SM4060801SE	4	51			
MTJMS000100	18	40	SM6040502TP	10	10			
MUY128S1000	14	27	SM6040650TP	8	60			
NM6030001SD	14	48	SM6040650TP	10	34			
NM6030001SD	16	48	SM6040750TP	2	19			
NM6040000SN	4	49	SM6040800SP	2	4			
NM6040001SC	2	17	SM6040800SP	10	33			
NM6050002SE	10	26	SM6041000SP	8	70			
NM6080001SC	18	21	SM6050652TP	10	21			
NM7040032SC	10	45	SM6050800SP	2	37			
PH0150065C0	6	22	SM6050802TP	10	22			
PH0300162C0	14	45	SM6051002TP	18	15			
PH0300252C0	2	7	SM6060802TP	10	46			
PS0150042K0	2	22	SM6061002TP	18	44			
PS0150065KP	6	10	SM6061010TP	6	25			
RC0100001KP	18	30	SM6081802TP	18	45			
RC1200001KP	18	10	SM6082002TP	18	39			
RC2200002KP	18	34	SM6082502TP	20	48			
RE0300000K0	8	64	SM7040800SL	14	41			
RE0500000K0	10	31	SM8030312TP	14	28			
RO037180100	2	9	SM8030500SP	14	46			
RO048190100	6	44	SM8040302TP	10	20			
RO055200100	6	11	SM8040360TP	2	33			
RO068190100	6	41	SM8040412TP	2	29			
SB110000900	18	29	SM8040412TP	10	32			
SB112000200	18	7	SM8040512TP	6	46			
SD0640246SP	2	50	SM8040612TP	6	42			
SD0640246SP	4	50	SM8041012TP	2	16			
SK3483201SE	18	38	SM8050412TP	8	54			