

MODEL : LU-2828-6/LU-2828-7

List No : 1635-03

# PARTS LIST

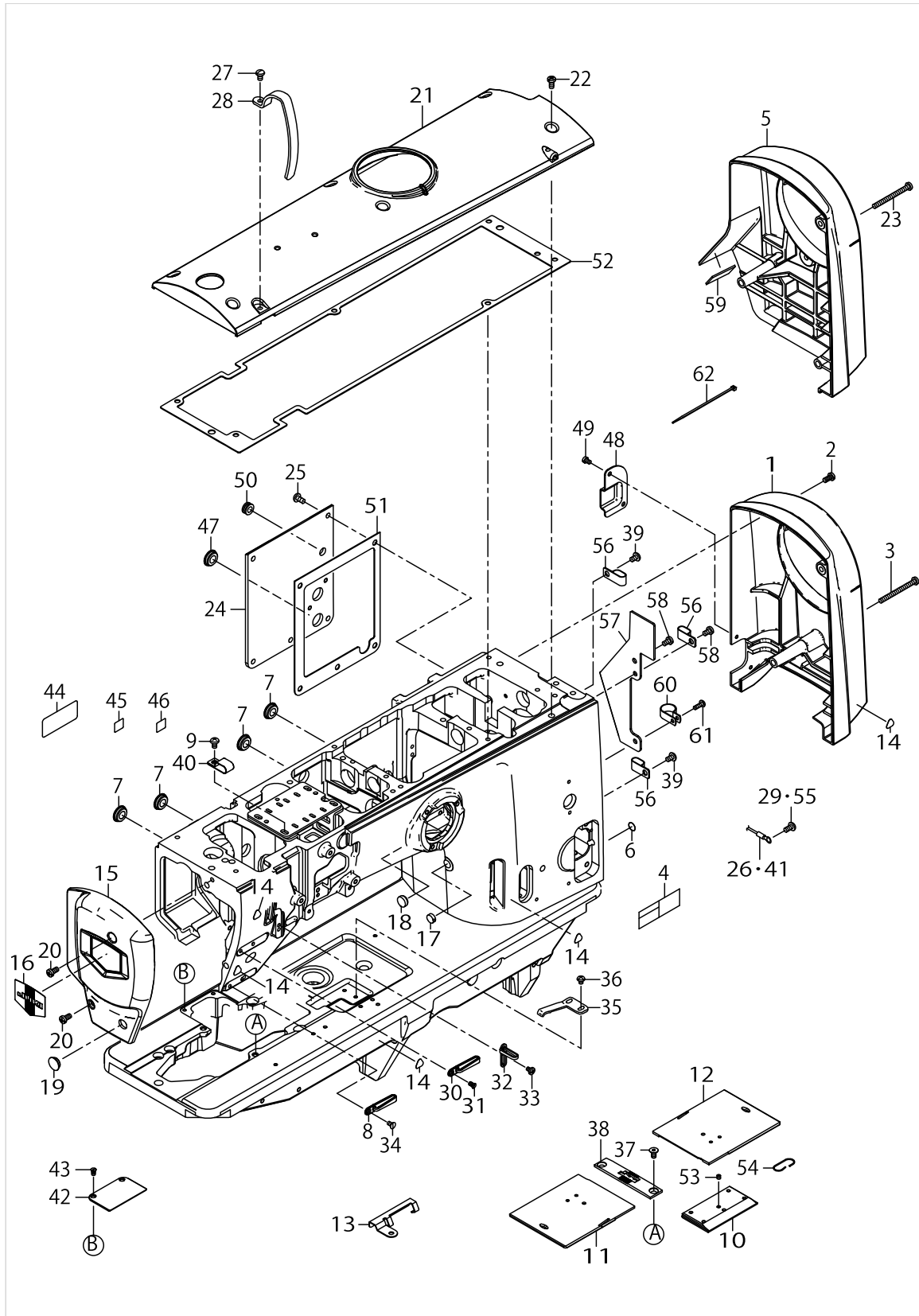
Published:10/31/2017

## CONTENTS

---

FRAME & MISCELLANEOUS COVER COMPONENTS .....	1
MAIN SHAFT & THREAD TAKE-UP LEVER COMPONENTS .....	5
NEEDLE BAR COMPONENTS .....	9
LOWER SHAFT COMPONENTS.....	11
OPENNER COMPONENTS .....	15
HOOK COMPONENTS.....	17
UPPER FEED COMPONENTS.....	19
HAND LIFTER & AUTO LIFTER COMPONENTS.....	23
LOWER FEED COMPONENTS .....	25
FEED ADJUST COMPONENTS.....	29
DL COMPONENTS.....	33
AUTO BT COMPONENTS (FOR LU-2828-7).....	35
AUTO BT COMPONENTS (FOR LU-2828-6).....	37
6-RANGE SW COMPONENTS.....	39
SPEED ADJUST COMPONENTS (FOR LU-2828-7).....	41
SPEED ADJUST COMPONENTS (FOR LU-2828-6).....	43
THREAD CUTTING COMPONENTS.....	45
THREAD TENSION COMPONENTS .....	49
TENSION RELEASE COMPONENTS .....	51
PNEUMATIC COMPONENTS .....	53
NEEDLE THREAD CLAMP COMPONENTS .....	55
BOBBIN WINDER COMPONENTS.....	57
LUBRICATION COMPONENTS .....	59
THREAD STAND COMPONENTS.....	63
BOTTOM COVER & BELT COVER COMPONENTS .....	65
ACCESSORIES PARTS COMPONENTS .....	67
LIST FOR INFORMATION OF CHNGE.....	69
HOW TO MAKE USE OF THIS PARTS LIST .....	70

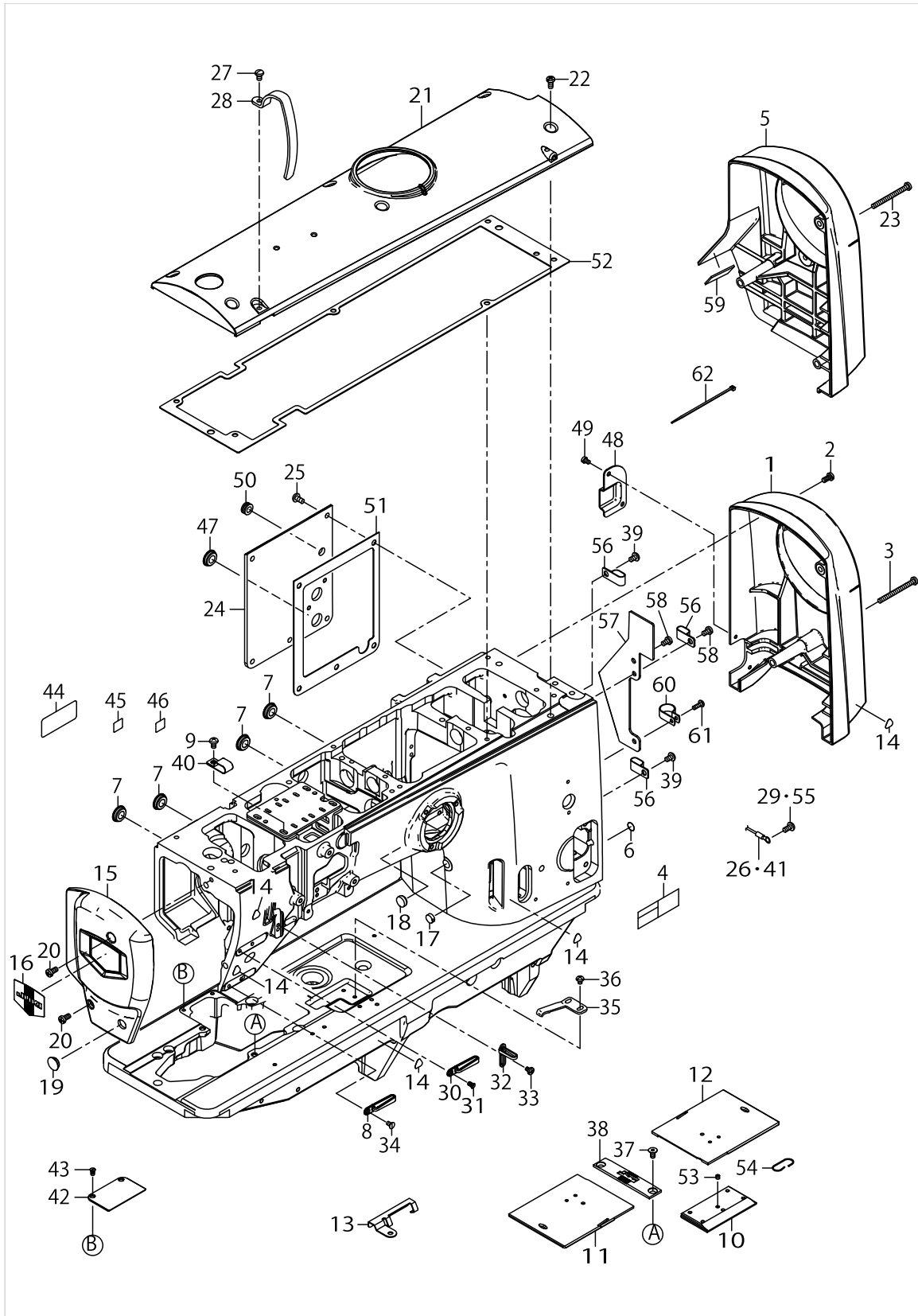
FRAME & MISCELLANEOUS COVER COMPONENTS



FRAME & MISCELLANEOUS COVER COMPONENTS

No.	Parts No.	Parts name	Remarks	Level	Cons	Qty
1	40149042	MOTOR_COVER_2820	FOR LU-2828-7			1
2	SM4051055SP	SCREW				2
3	SM4055501SC	SCREW_M5X0.8_L=55	FOR LU-2828-7			1
4	40102261	SAFETY_LABEL_S				1
5	40142336	BELT_COVER_A	FOR LU-2828-6			1
6	22901805	GROUND_MARK				1
7	TA1650406R0	PRUG				4
8	40084142	THREAD_GUIDE_LOWER			☆	1
9	SM4050855SP	SCREW				2
10	40147918	SLIDE_PLATE_FRONT				1
11	40127056	SLIDE_PLATE_2860R				1
12	40147944	SLIDE_PLATE_2810R				1
13	40134805	CABLE HOLDER				1
14	CM300200001	ATTENTION_SEAL				5
15	40130704	FACE_PLATE				1
16	22902506	FACE_PLATE				1
17	TA1030402R0	RUBBER_PLUG_D=10.3_L=4				1
18	TA1270502R0	RUBBER_PLUG				1
19	TA1250406R0	RUBBER_PLUG_D=12.5_L=4				1
20	SM4051055SP	SCREW				2
21	40130706	TOP_COVER				1
22	SM4051055SP	SCREW				6
23	SM4055501SC	SCREW_M5X0.8_L=55	FOR LU-2828-6			2
24	40149040	APERTURE_COVER				1
25	SM4051055SP	SCREW				5
26	22951552	GROUND_WIRE_ASM.	FOR LU-2828-7			1
27	SM4040855SP	SCREW				1
28	40134834	THREAD_TAKE_UP_LEVER_COVER				1
29	SM4051055SP	SCREW	FOR LU-2828-7			1
30	40084142	THREAD_GUIDE_LOWER			☆	1
31	SM1040750TP	SCREW_M4_L=7				1
32	40126221	THREAD_GUIDE			☆	1
33	SM4040655SP	SCREW_M4_L=6				1
34	SM1040750TP	SCREW_M4_L=7				1
35	B1111563000	BED_SLIDE_SPRING				1
36	SM4040655SP	SCREW_M4_L=6				2
37	SM1051052TN	PLATE_SCREW_M5_L=10				2
38	40147939	THROAT_PLATE				1
39	SM4050855SP	SCREW	FOR LU-2828-6			4
40	D2112555B00	CORD HOLDER_LARGE	FOR LU-2828-7			3
41	40142052	FG_CORD_ASM	FOR LU-2828-6			1
42	40131625	AUXILIARY_COVER				1
43	SM1040750TP	SCREW_M4_L=7				2
44	40094561	SEWING_MACHINE_LABEL_(EU)	FOR JE			1
45	CM600100101	WEEE_MARK_LABEL_S	FOR JE			1
46	40150131	EAC_MARK_LABEL_S	FOR JE			1
47	TA1650406R0	PRUG				1

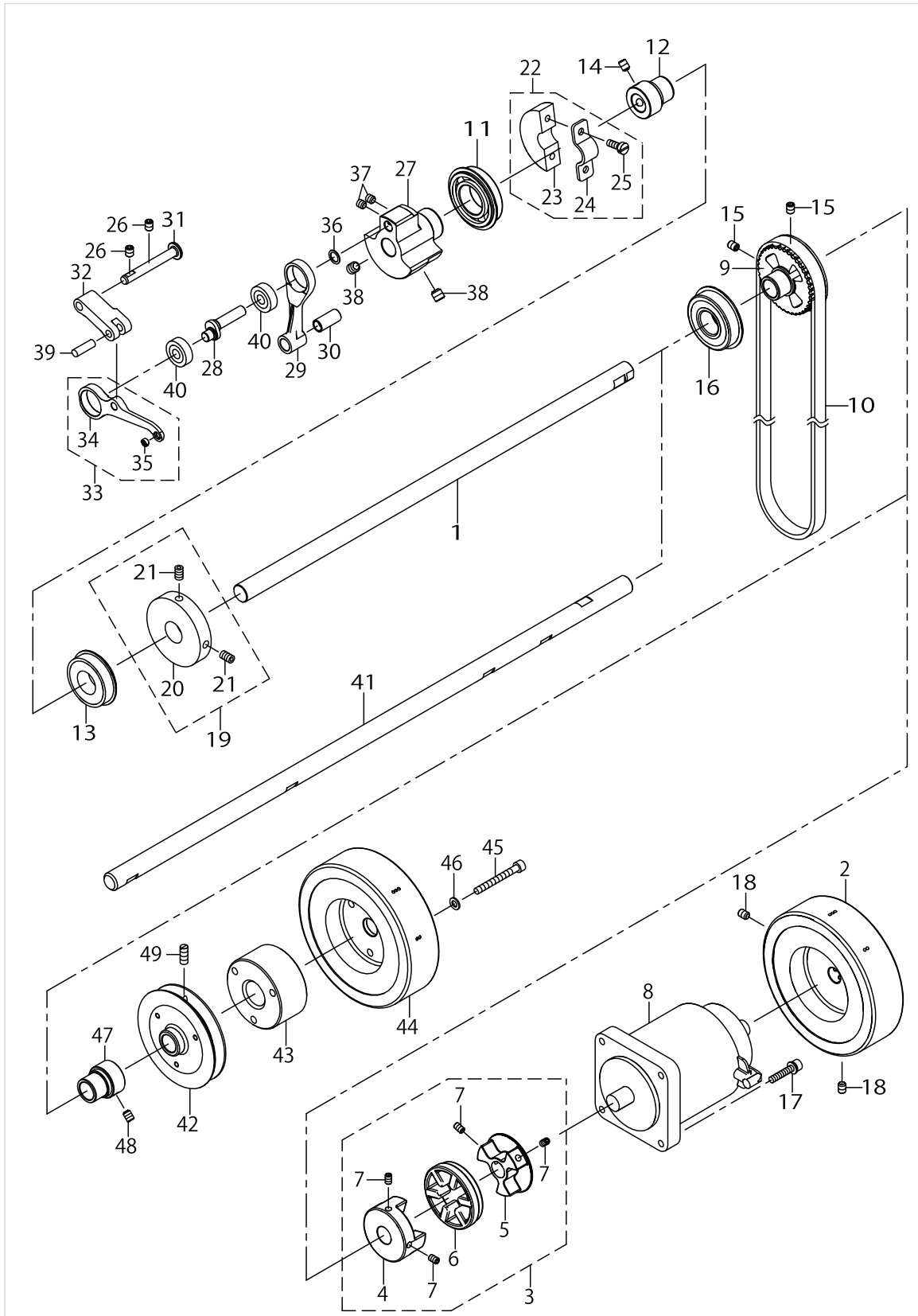
FRAME & MISCELLANEOUS COVER COMPONENTS



FRAME & MISCELLANEOUS COVER COMPONENTS

No.	Parts No.	Parts name	Remarks	Level	Cons	Qty
48	40149041	ADDITIONAL_MOTOR_COVER_2820	FOR LU-2828-7			1
49	SM6040600SP	SCREW_M4_L=6	FOR LU-2828-7			2
50	HX00055000E	RUBBER_BUSHING				1
51	40151799	WINDOW_PLATE_PACKING				1
52	40147919	TOP_COVER_PACKING				1
53	SM8040412TP	SET_SCREW_M4_L=4				1
54	B111105100B	SPRING				1
55	SM4040855SP	SCREW	FOR LU-2828-6			1
56	D2112555B00	CORD HOLDER_LARGE	FOR LU-2828-6			5
57	40142057	BELT_COVER_B	FOR LU-2828-6			1
58	SM4050855SP	SCREW	FOR LU-2828-6			2
59	B2528845000	CHIP_GUARD_PLATE	FOR LU-2828-6			1
60	HX00150000H	CABLE_CLIP	FOR LU-2828-6			1
61	SM4041255SP	SCREW_M4_L=12	FOR LU-2828-6			1
62	EA9500B0100	CABLE_BAND	FOR LU-2828-6			6

MAIN SHAFT & THREAD TAKE-UP LEVER COMPONENTS

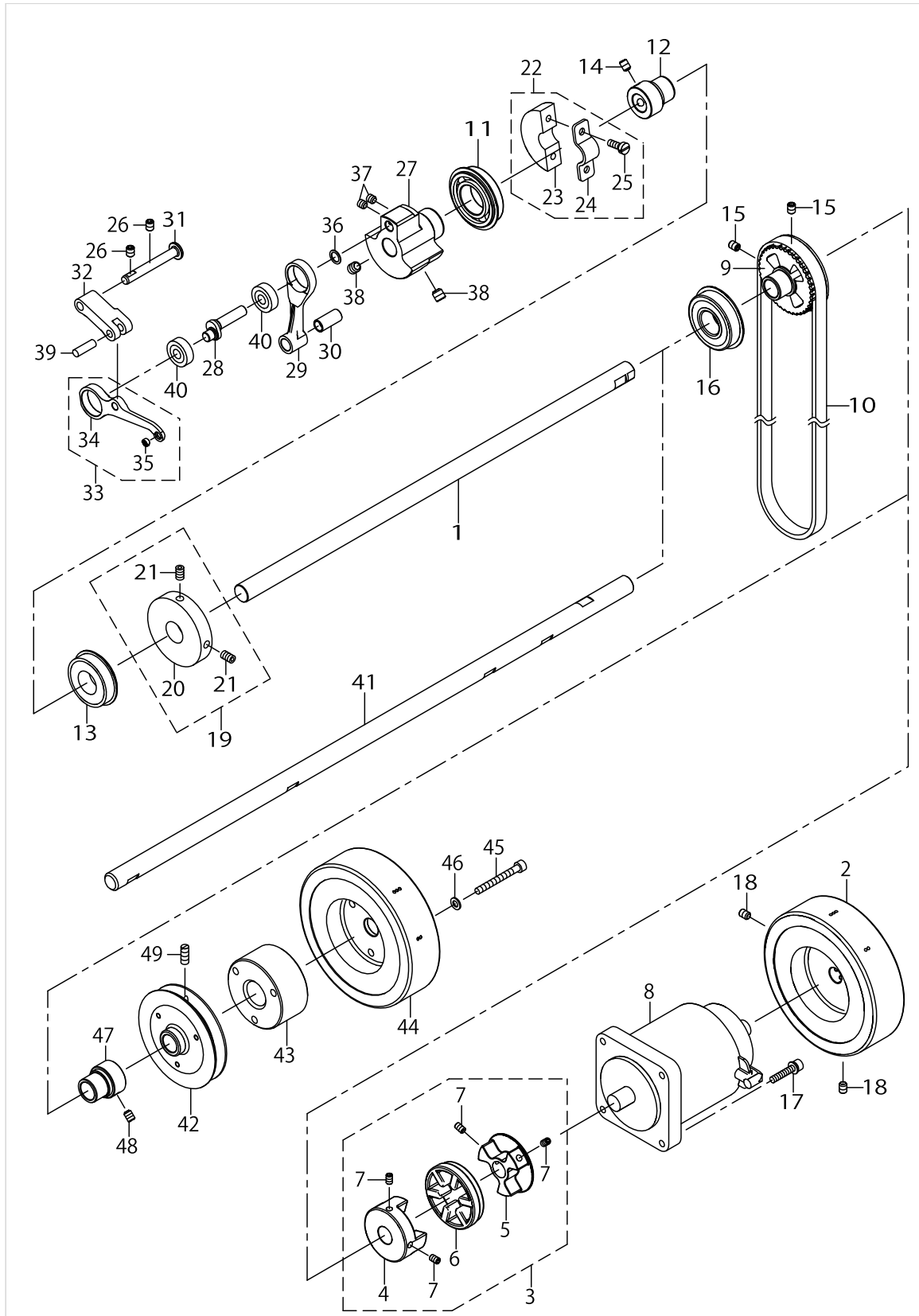


MAIN SHAFT & THREAD TAKE-UP LEVER COMPONENTS

No.	Parts No.	Parts name	Remarks	Level	Cons	Qty
1	40112087	MAIN_SHAFT_DD	FOR LU-2828-7			1
2	40130702	HAND_WHEEL	FOR LU-2828-7			1
3	40112312	COUPLING_ASSY	FOR LU-2828-7			1
4	40130277	HUB_L	FOR LU-2828-7	*		1
5	40112106	HUB_R	FOR LU-2828-7	*		1
6	40125950	SPIDER	FOR LU-2828-7	*		1
7	SM8050812TP	SCREW_M5X8	FOR LU-2828-7	*		4
8	40151488	SERVO_MOTOR_550W	FOR LU-2828-7			1
9	40126321	SPROCKET_UPPER				1
10	40112274	TIMING_BELT			☆	1
11	40143083	BEARING				1
12	23605207	MAIN_SHAFT_BEARING_SUPPORT				1
13	SB120001800	BEARING				1
14	SM80608A2TP	SCREW_M6_L=8				2
15	SM8060812TP	SCREW_M6_L=8				2
16	40143088	BEARING				1
17	SL6052592TN	BOLT	FOR LU-2828-7			4
18	SM8060812TP	SCREW_M6_L=8	FOR LU-2828-7			2
19	40010533	BTW_DRIVING_WHEEL_ASM				1
20	40010534	BTW_DRIVING_WHEEL		*		1
21	40010535	DRIVING_WHEEL_SCREW		*		2
22	40010437	CRANK_BALANCER_ASM				1
23	40010438	CRANK_BALANCER		*		1
24	40010439	CRANK_BALANCER_FIX_PLATE		*		1
25	40010440	CRANK_BALANCER_FIX_PLATE_SCREW		*		2
26	SM8060812TP	SCREW_M6_L=8				2
27	40112091	COUNTER_WEIGHT				1
28	40112092	NEEDLE_BAR_CRANK				1
29	40112093	NEEDLE_BAR_CRANK_ROD				1
30	40112094	CRANK_ROD_BUSH				1
31	40011902	THREAD_TAKE_UP_CRANK_SHAFT				1
32	40125930	TAKE_UP_LEVER_CRANK				1
33	40134545	THREAD_TAKE_UP_ASM				1
34	40134532	THREAD_TAKE_UP		*		1
35	10546901	BUSH		*		1
36	WP0820516SP	WASHER_11.6X8.2X0.6				1
37	SM8060612TP	SCREW_M6_L=6				2
38	SM8080812TP	SCREW_M8X8				2
39	10721504	FEED_ADJUSTING_PIN				1
40	SB108002400	BEARING				2
41	40139477	MAIN_SHAFT	FOR LU-2828-6			1
42	40139478	HAND_WHEEL_A	FOR LU-2828-6			1
43	40139480	HAND_WHEEL_WASHER	FOR LU-2828-6			1
44	40139479	HAND_WHEEL	FOR LU-2828-6			1
45	SM6054502TN	SCREW	FOR LU-2828-6			3
46	WP0531001SC	WASHER_M5	FOR LU-2828-6			3
47	23605207	MAIN_SHAFT_BEARING	FOR LU-2828-6			1



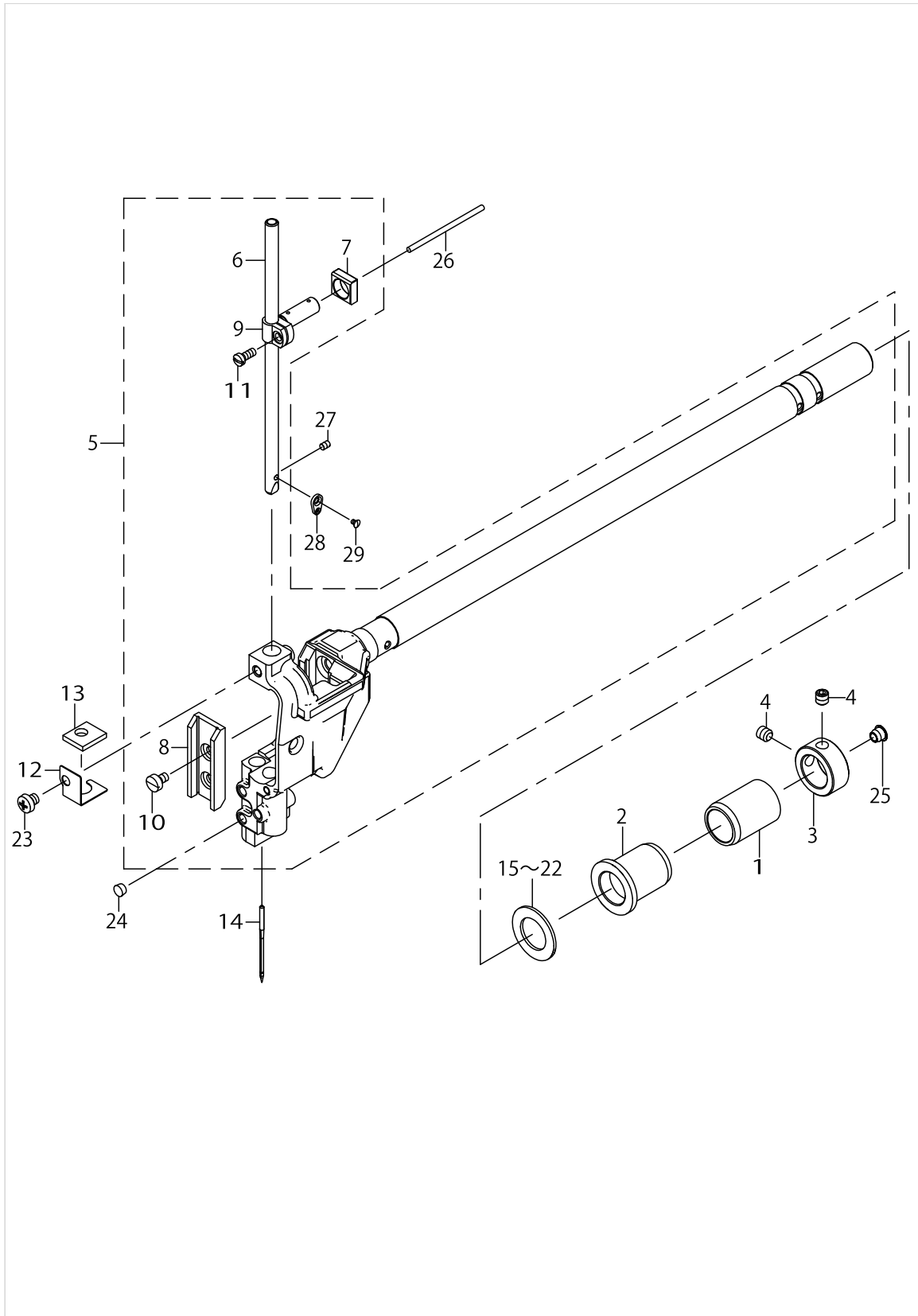
# MAIN SHAFT & THREAD TAKE-UP LEVER COMPONENTS



MAIN SHAFT & THREAD TAKE-UP LEVER COMPONENTS

No.	Parts No.	Parts name	Remarks	Level	Cons	Qty
48	SM80608A2TP	SCREW_M6_L=8	FOR LU-2828-6			2
49	SS8151550SP	SCREW_15/64-28_L=15	FOR LU-2828-6			2

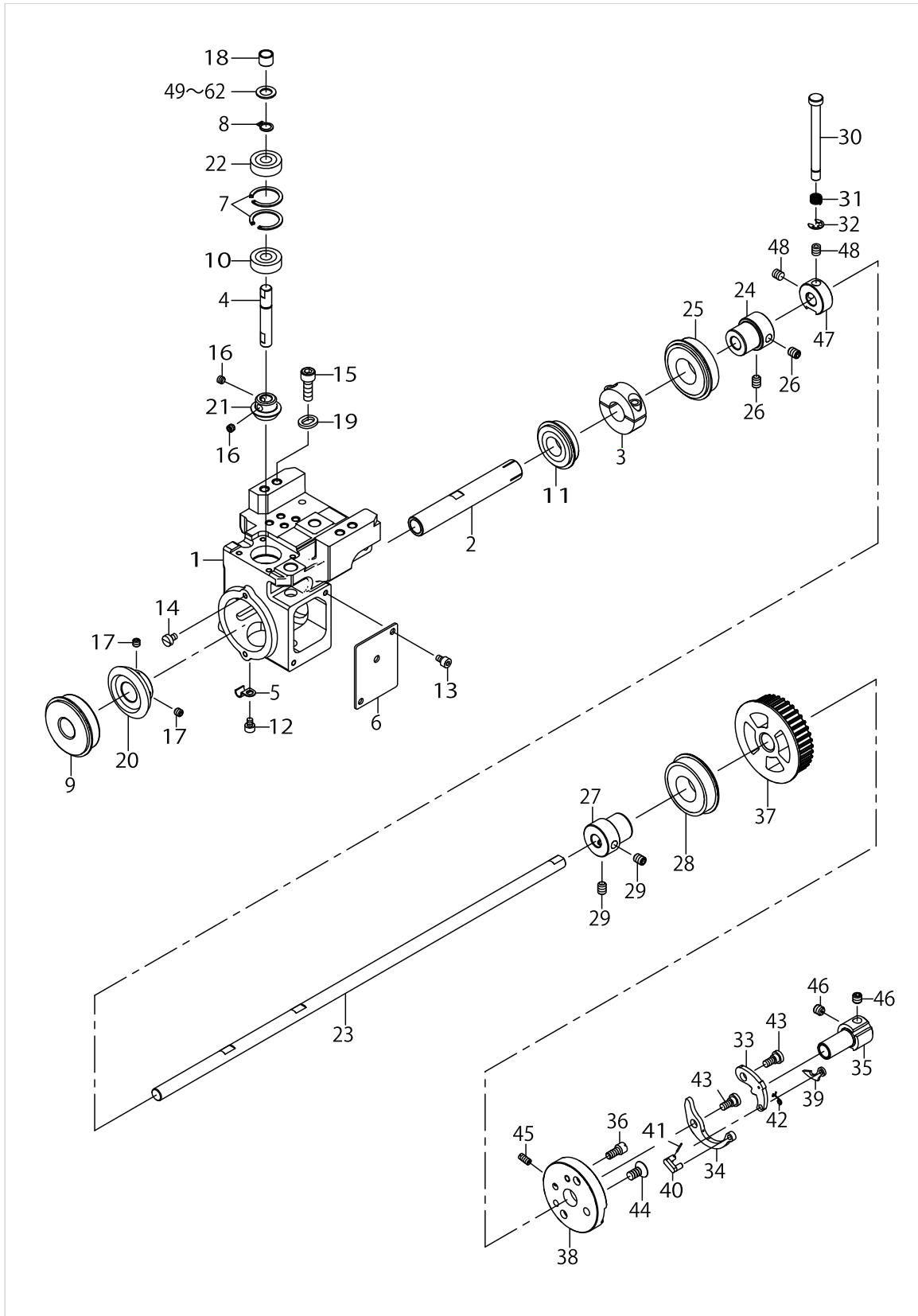
# NEEDLE BAR COMPONENTS



NEEDLE BAR COMPONENTS

No.	Parts No.	Parts name	Remarks	Level	Cons	Qty
1	40010709	NF_SHAFT_BUSH_R				1
2	40152451	BUSHING				1
3	CS1701181TP	THRUST_COLLAR_D=17_W=11				1
4	SM8060612TP	SCREW_M6_L=6				2
5	40126402	N_B_ROCKING_BASE_ASM_2810E				1
6	40143220	NEEDLE_BAR_2810A		*		1
7	40112152	NEEDLE_ROD_SQUARE_BLOCK		*		1
8	40127041	NEEDLE_BAR_GUIDE		*		1
9	40112273	NEEDLE_BAR_CONNECTION		*		1
10	SM6040650TP	SCREW		*		2
11	SS7090910TP	SCREW_9/64-40_L=8.5		*		1
12	40112270	FELT HOLDER				1
13	40112272	NEEDLE_BAR_FELT_E				1
14	MC321001400	NEEDLE_134-35_#140			☆	1
15	B1438512B00	WASHER_17.1X28X1.5	SELECTIVE PARTS			1
16	22606206	SPACER_Y	SELECTIVE PARTS			1
17	22606305	SPACER_Z	SELECTIVE PARTS			1
18	22607600	SPACER_A	SELECTIVE PARTS			1
19	22607709	SPACER_B	SELECTIVE PARTS			1
20	22607808	SPACER_D	SELECTIVE PARTS			1
21	22607907	SPACER_E	SELECTIVE PARTS			1
22	22606404	SPACER_F	SELECTIVE PARTS			1
23	SM4050501SC	SCREW_M5X0.8_L=5				1
24	TA0500301R0	PLUG_5X5.8_L=3				4
25	TA0620504R0	CAP				1
26	CQ252000000	OIL_WICK				0.05
27	SS8080410TP	SCREW_1/8-44_L=3.5			☆	1
28	40143221	NEEDLE_BAR_THREAD_GUIDE_2810A			☆	1
29	SS2060310SP	SCREW_3/32-56_L=3				1

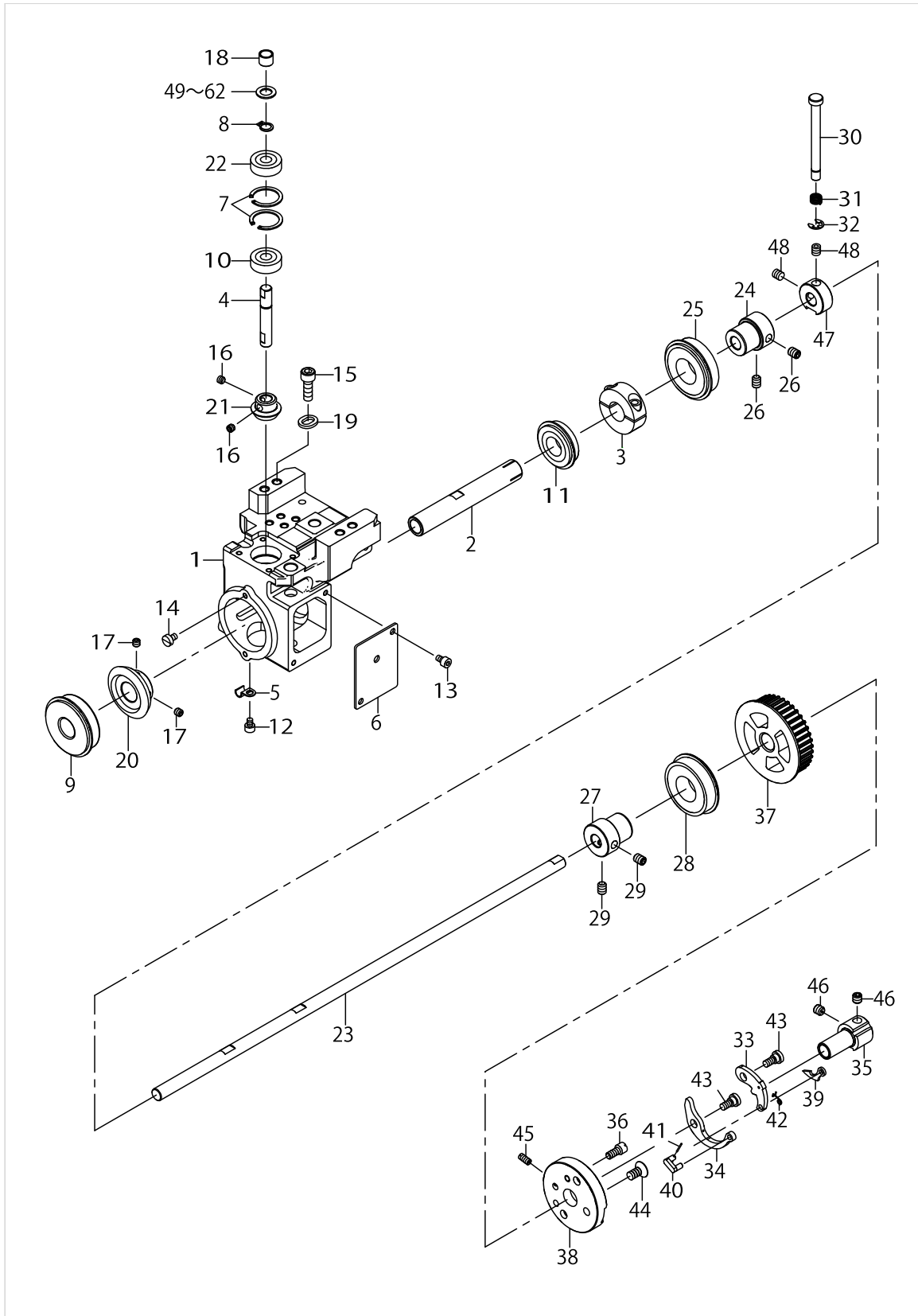
# LOWER SHAFT COMPONENTS



LOWER SHAFT COMPONENTS

No.	Parts No.	Parts name	Remarks	Level	Cons	Qty
1	40131629	HOOK_SHAFT_BASE_RIGHT_2820				1
2	40112253	LOWER_SHAFT_C				1
3	40152295	LOWER_SHAFT_SET_COLLAR				1
4	40126381	HOOK_SHAFT				1
5	B3538112000	OIL_RETURN_TUBE HOLDER				2
6	40123340	HOOK_SHAFT_BASE_SIDE_PLATE				1
7	RC2351018KP	RETAINIG_PIN_23.5				2
8	RC0740816K0	RETAINING_RING				1
9	40143084	BEARING				1
10	40143086	BEARING				1
11	40143082	BEARING				1
12	SM6040502TP	SCREW_M4X0.7_L=5				2
13	SM6040602TP	SCREW_M4_L=6				2
14	SM6040650TP	SCREW				2
15	SM6061802TP	SCREW_M6_L=18				2
16	SM8050412TP	SCREW_M5_L=4				2
17	SM80506A2TP	SCREW M5 L=6				2
18	40126382	HOOK_SHAFT_COLLAR				1
19	40139043	HOOK_SHAFT_BASE_WASHER_2810				2
20	40126372	LOWER_SHAFT_GEAR				1
21	40112242	HOOK_SHAFT_GEAR				1
22	40143086	BEARING				1
23	40126365	LOWER_SHAFT_1N				1
24	40123247	BEARING_COLLAR				1
25	SB120001800	BEARING				1
26	SM8060812TP	SCREW_M6_L=8				2
27	40123247	BEARING_COLLAR				1
28	SB120001800	BEARING				1
29	SM8060812TP	SCREW_M6_L=8				2
30	40112240	SAFETY_REVERSE_BUTTON				1
31	B1639051000	SPRING				1
32	RE0500000K0	E-RING				1
33	21387600	SAFETY_CLUTCH_HOOK				1
34	21387709	SAFETY_CLUTCH_SPRING				1
35	21387808	SAFETY_BASE				1
36	21387907	ADJUSTING_PIN_(1.2)				1
37	40125862	LOWER_SHAFT_SPROCKET				1
38	40126366	CLUTCH_BASE				1
39	B1308055000	SAFETY_CLUTCH_COUNTER-HOOK				1
40	B1310055000	SAFETY_CLUTCH_SMALL_LINK				1
41	B1314055000	SAFETY_CLUTCH_SMALL_LINK_PIN				1
42	40113224	COUNTER_HOOK_SPRING				1
43	SD0640322TP	HINGE_SCREW_D=6.35_H=3.2				2
44	SM1061201SN	SCREW_M6_L=12				2
45	SS8111010TP	SCREW_11/64-40_L=9.5				1
46	SS8660612TP	SCREW_1/4-40_L=6				2
47	21333901	SAFETY_CLUTCH_DISC				1

LOWER SHAFT COMPONENTS

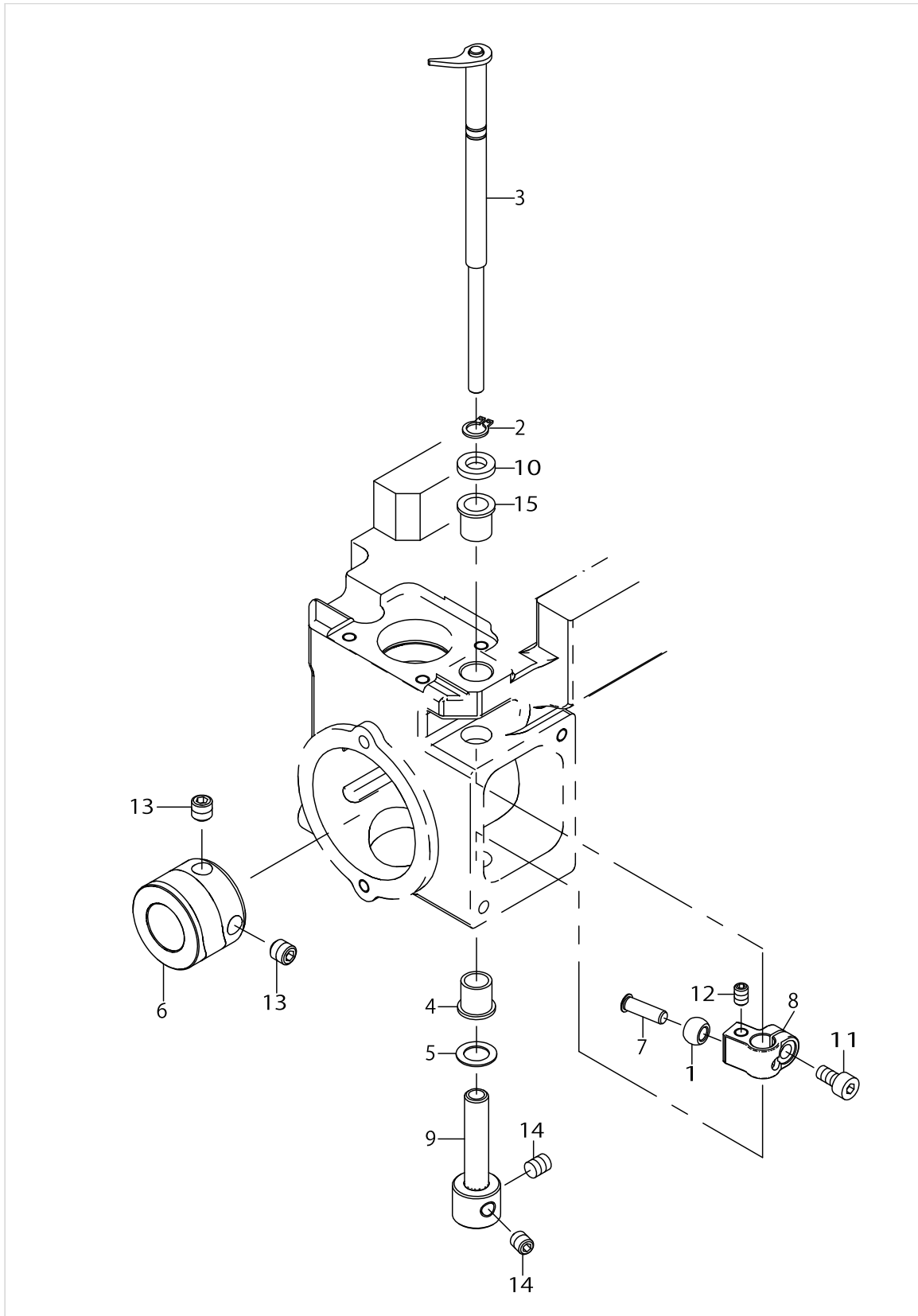


LOWER SHAFT COMPONENTS

No.	Parts No.	Parts name	Remarks	Level	Cons	Qty
48	SS8660612TP	SCREW_1/4-40_L=6				2
49	B255728000A	WASHER_A	SELECTIVE PARTS			1
50	B255728000B	WASHER_B	SELECTIVE PARTS			1
51	B255728000C	WASHER_C	SELECTIVE PARTS			1
52	B255728000D	WASHER_D	SELECTIVE PARTS			1
53	B255728000E	WASHER_E	SELECTIVE PARTS			1
54	40138418	WASHER_T=1.3	SELECTIVE PARTS			1
55	40138419	WASHER_T=1.4	SELECTIVE PARTS			1
56	40138420	WASHER_T=1.5	SELECTIVE PARTS			1
57	40138421	WASHER_T=1.6	SELECTIVE PARTS			1
58	40138422	WASHER_T=1.7	SELECTIVE PARTS			1
59	40138423	WASHER_T=1.8	SELECTIVE PARTS			1
60	40143185	WASHER_T=0.5	SELECTIVE PARTS			1
61	40143188	WASHER_T=0.6	SELECTIVE PARTS			1
62	40143581	WASHER_T=0.7	SELECTIVE PARTS			1



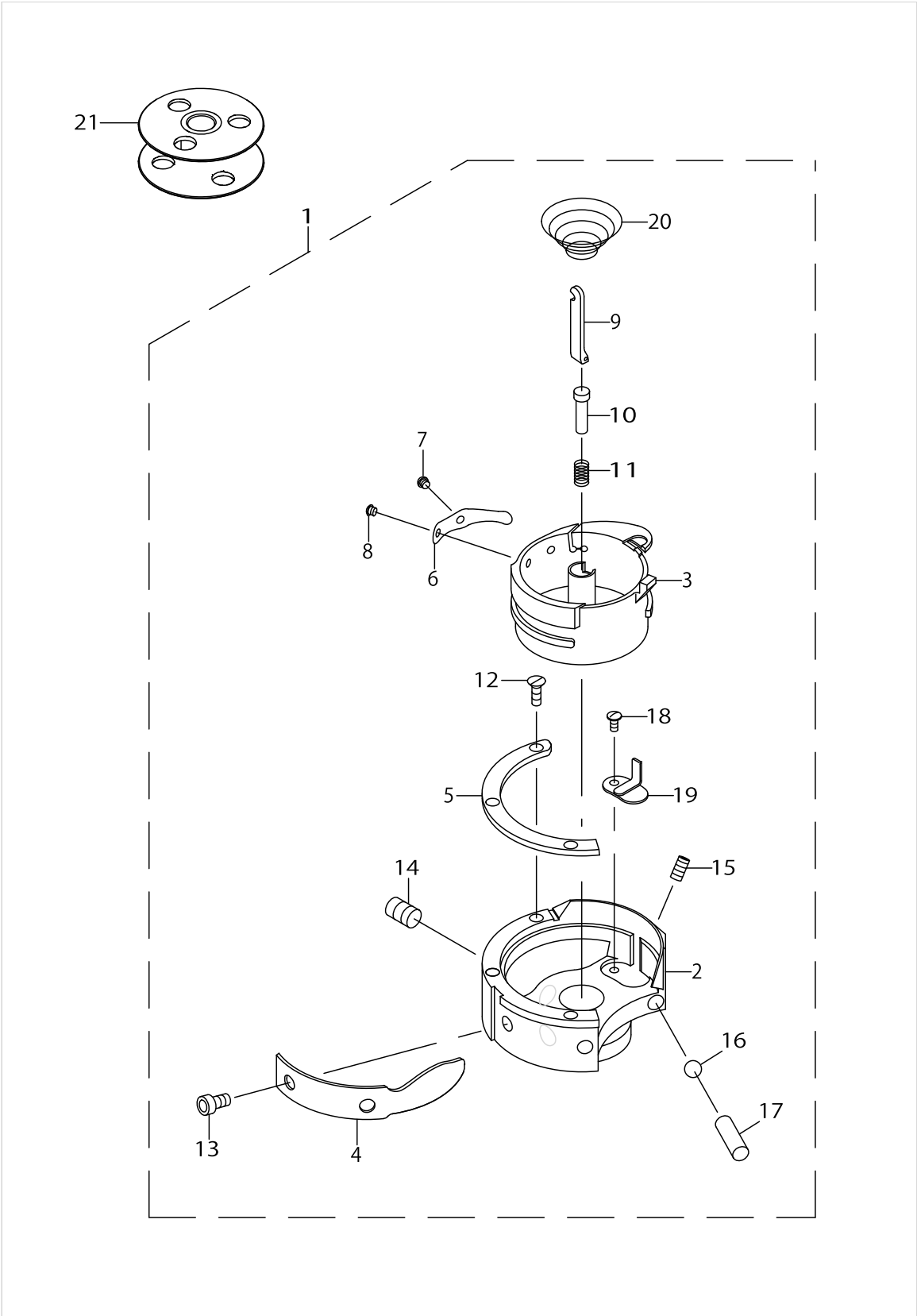
OPENNER COMPONENTS



OPENER COMPONENTS

No.	Parts No.	Parts name	Remarks	Level	Cons	Qty
1	40126351	OPENER_CAM_ROLLER				1
2	RC0560711KP	RETAINING_RING				1
3	40147915	OPENER_ASM_XXL			☆	1
4	40135473	METAL				1
5	WP0740516SP	WASHER_7.4X11.8X0.5				1
6	40126391	OPENER_CAM_R				1
7	40126360	OPENER_CAM_ROLLAR_SHAFT				1
8	40135475	OPENER_DRIVING_ARM				1
9	40135472	JUNCTION_SHAFT_COLLAR				1
10	WP0612066SP	WASHER_6.1X11X2				1
11	SM6040802TP	SCREW_M4X0.7_L=8				1
12	SM8040612TP	SCREW_M4_L=6				1
13	SM8060612TP	SCREW_M6_L=6				2
14	SM8050612TP	SCREW_M5X6				2
15	40112252	OPENER_METAL				1

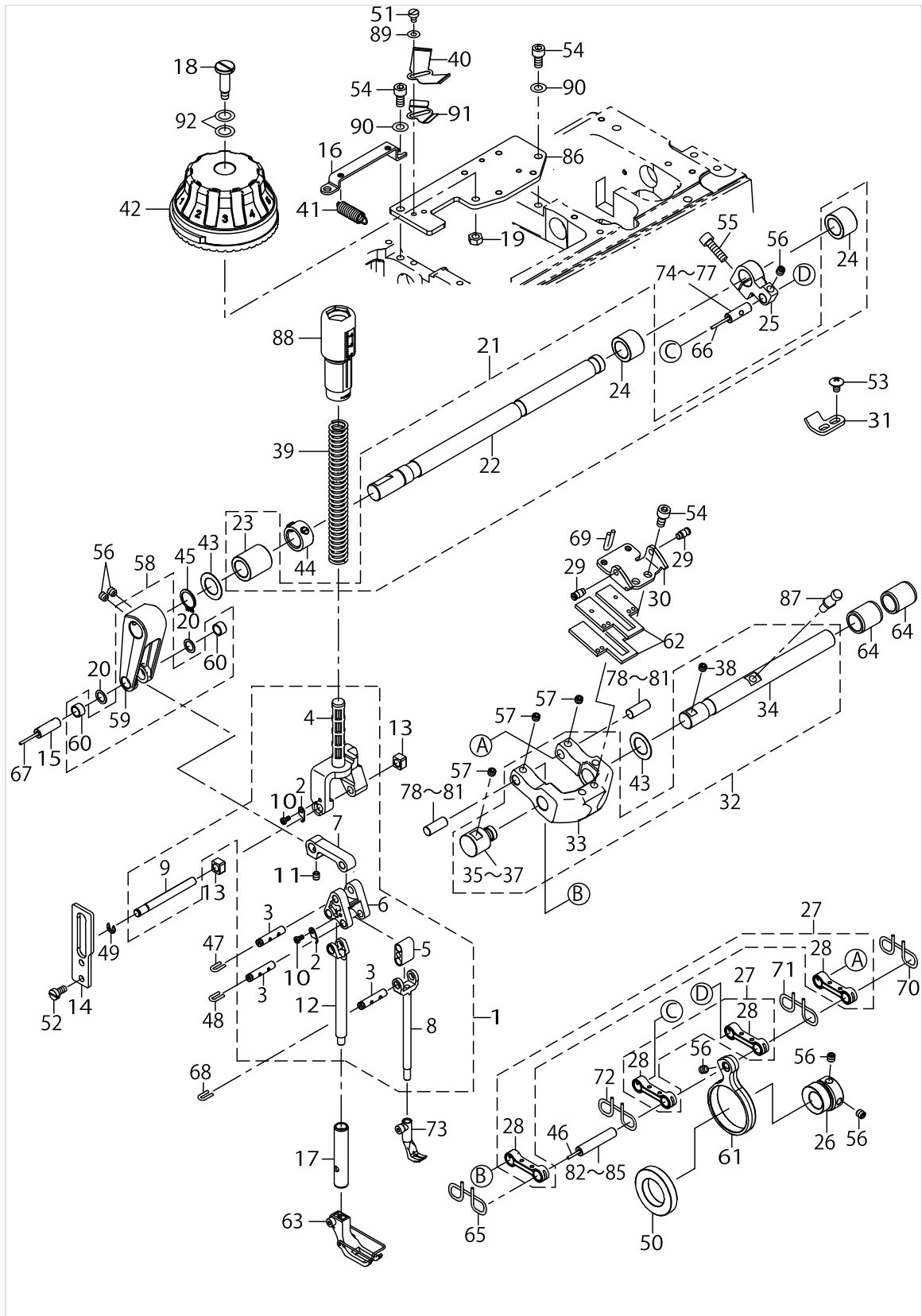
HOOK COMPONENTS



## HOOK COMPONENTS

No.	Parts No.	Parts name	Remarks	Level	Cons	Qty
1	40147912	TRIM_HOOK_ASM_XXL_ST			☆	1
2	40149030	OUTER_HOOK		*		1
3	40149047	INNER_HOOK		*		1
4	40149032	NEEDLE HOLDER		*		1
5	40149033	INNER_HOOK_HOLDER		*		1
6	40079898	TENTION_SPRING		*		1
7	40079899	ADJUSTING_SCREW		*		1
8	40079900	TENTION_SPRING_SETSCREW		*		1
9	40149034	BOBBIN_PRESSER		*		1
10	40079902	PRESSER_LIFTER		*		1
11	40079903	PRESSER_LIFTER_SPRING		*		1
12	40149035	INNER_HOOK_HOLDER_SETSCREW		*		3
13	40149036	NEEDLE HOLDER_SETSCREW		*		2
14	40075542	OUTER_HOOK_SETSCREW		*		2
15	40079909	NEEDLE HOLDER_ADJUSTING_SCREW		*		1
16	40148037	BALL		*		1
17	40149037	SLIDE_PIN		*		1
18	40075547	OIL_COVER_SETSCREW		*		1
19	40075548	OIL_COVER		*		1
20	40079912	IDLING_PRIVENTION_SPRING		*		1
21	40147913	BOBBIN_XXL			☆	1

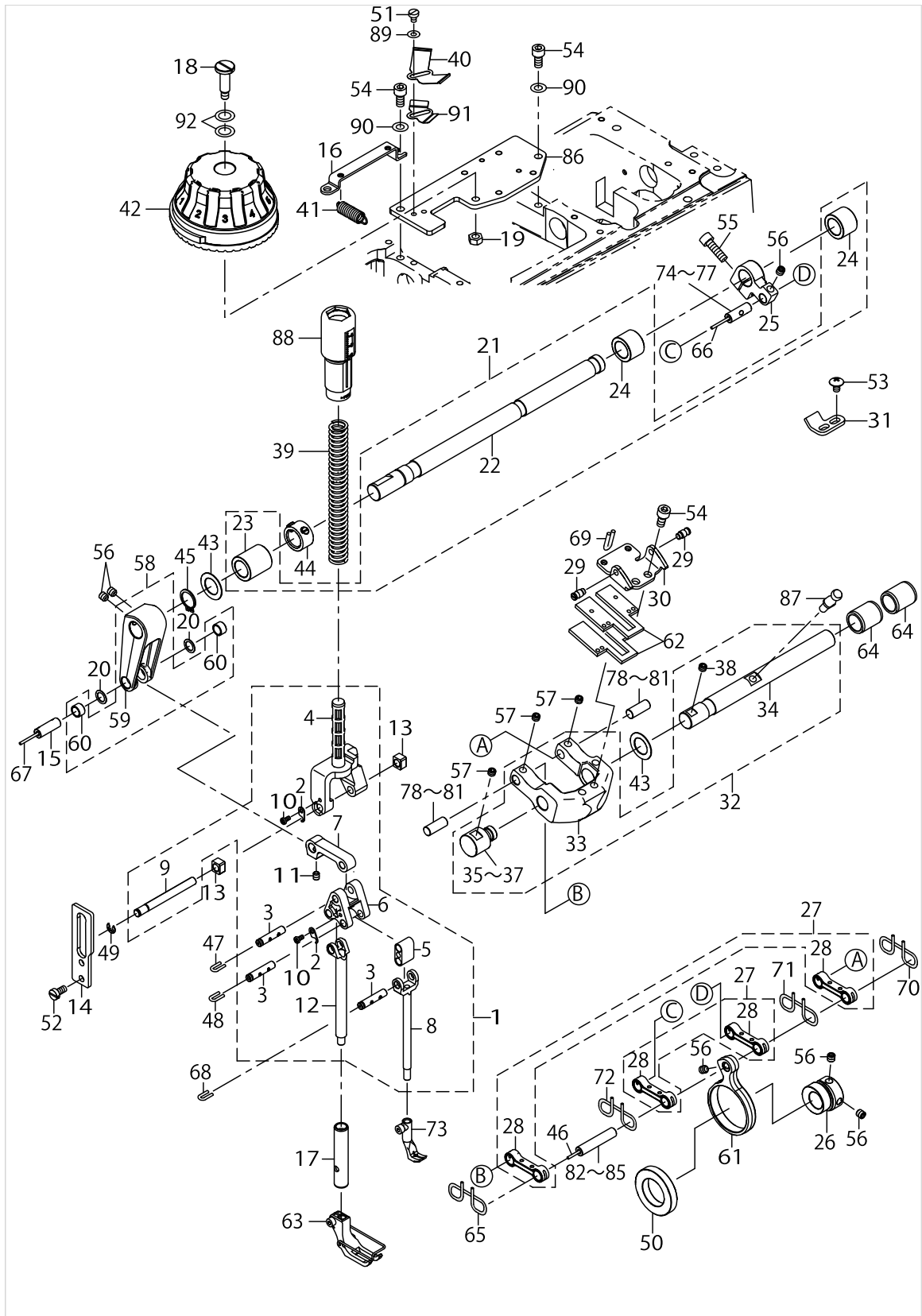
UPPER FEED COMPONENTS



UPPER FEED COMPONENTS

No.	Parts No.	Parts name	Remarks	Level	Cons	Qty
1	40144289	UPPER_FEED_F_ASM_E				1
2	10710804	TRIANGLE_LEVER_SHAFT_STOPPER		*		2
3	40112176	CONNECTION_PIN		*		3
4	40144287	SPRING_RECEIVING_E_ASM		*		1
5	40176628	WALKING_BAR_DRIVING_LINK		*		1
6	40125852	TRIANGULAR_LEVER		*		1
7	40125854	UPPER_FEED_LINK_A		*		1
8	40125937	WALKING_BAR_E		*		1
9	40126166	PRESSER_BAR_GUIDE_SHAFT		*		1
10	SM4030601SN	SCREW_M3X6		*		2
11	SM8050612TP	SCREW_M5X6		*		1
12	40125861	PRESSURE_BAR_E		*		1
13	40090058	SLIDE_BLOCK				2
14	40125943	PRESSER_ROD_GUIDE				1
15	40123634	ROCKING_LINK_PIN				1
16	40125867	SPRING_HOOK				1
17	40171574	PRESSER_BAR_BUSHING				1
18	SD0802126TP	SHOULDER_SCREW_D=8_H=21.2				1
19	NM6060001SD	NUT_M6				1
20	E2613700000	WASHER				2
21	40123319	UPPER_FEED_SHAFT_ASM				1
22	40123262	UPPER_FEED_SHAFT		*		1
23	40123320	UPPER_FEED_SHAFT_METAL_F		*		1
24	40123321	UPPER_FEED_SHAFT_METAL_R		*		2
25	40126160	UPPER_FEED_REAR_ARM				1
26	40126390	UPPER_FEED_CAM				1
27	40126338	CONNECTION_LINK_ASM				2
28	40126223	CONNECTION_LINK		*		2
29	40038494	THREAD_BIND_ARM_SPRING_RAC				2
30	40126269	CHANGE_BASE_SPRING_RACK				1
31	40126264	CHANGE_BASE_STOPPER				1
32	40123416	UPPER_FEED_CHANGE_BASE_ASM				1
33	40123414	UPPER_FEED_CHANGE_BASE		*		1
34	40123555	UF_CHANGE_BASE_SHAFT		*		1
35	40145548	UF_CHANGE_BASE_SUPPORT_PIN_A	SELECTIVE PARTS	*		1
36	40145549	UF_CHANGE_BASE_SUPPORT_PIN_B	SELECTIVE PARTS	*		1
37	40145550	UF_CHANGE_BASE_SUPPORT_PIN_C	SELECTIVE PARTS	*		1
38	SM8060552TP	SCREW_M6_L=5		*		1
39	40112197	PRESSER_SPRING			☆	1
40	40112199	LEAF_SPRING			☆	1
41	40126400	SPRING				2
42	40125850	VERTICAL_DIAL(VE)				1
43	D1231555B00	WASHER				2
44	22904155	MAIN_SHAFT_THRUST_COLLAR_ASM.				1
45	RC0150001KP	RETAINING_RING_13.8				1
46	CQ202000000	OIL_WICK				0.042
47	CQ252000000	OIL_WICK				0.048

UPPER FEED COMPONENTS

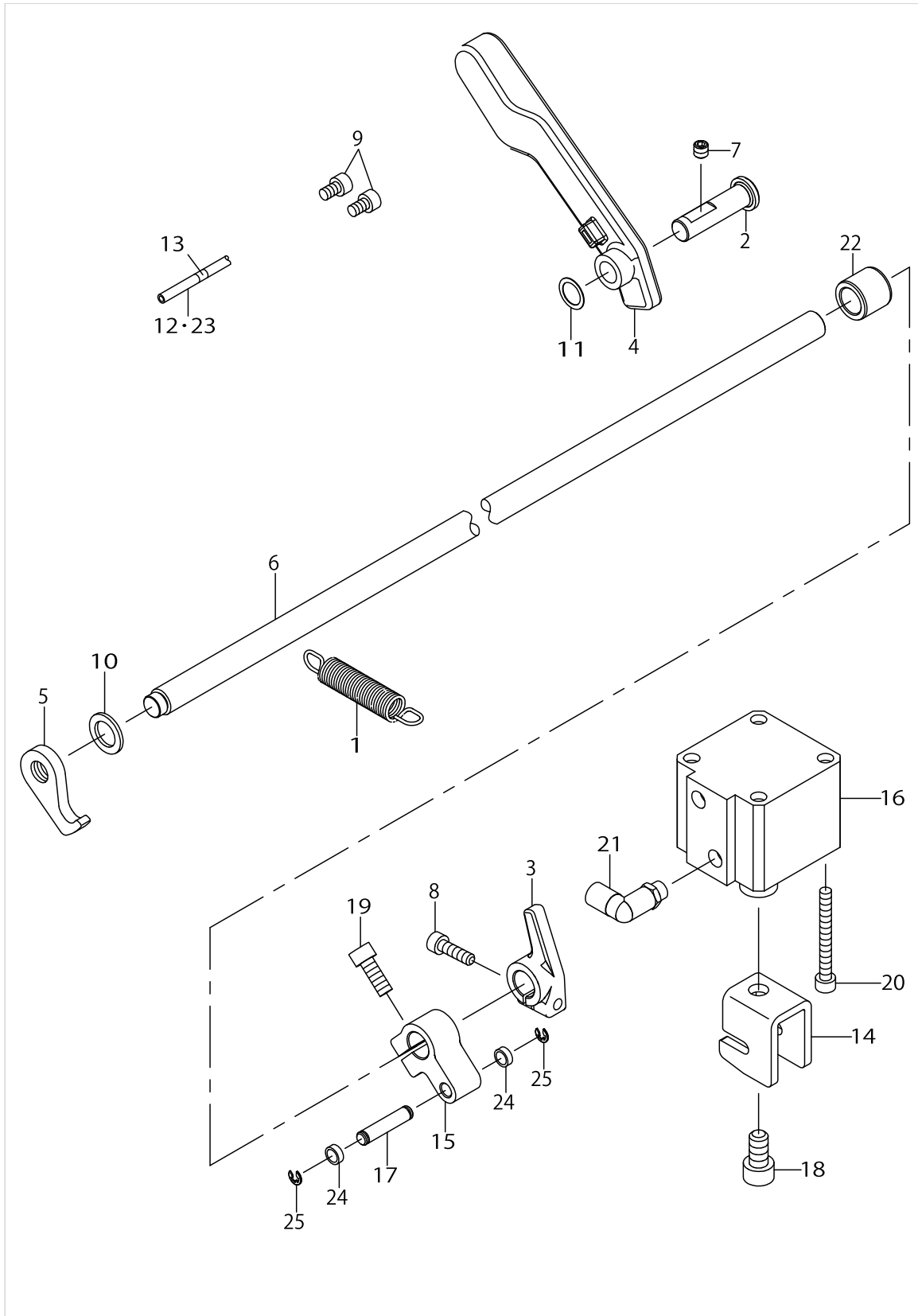


UPPER FEED COMPONENTS

No.	Parts No.	Parts name	Remarks	Level	Cons	Qty
48	CQ252000000	OIL_WICK				0.048
49	RE0500000K0	E-RING				1
50	SB125000600	BEARING				1
51	SM6040650TP	SCREW				2
52	SM6051000SP	SCREW				2
53	SM0050801SC	SCREW				2
54	SM6061202TP	SCREW_M6_L=12				7
55	SM6062002TP	SCREW_M6_L=20				1
56	SM8060612TP	SCREW_M6_L=6				6
57	SM8060552TP	SCREW_M6_L=5				3
58	40126159	UPPER_FEED_FRONT_ARM_ASM				1
59	40126157	UPPER_FEED_FRONT_ARM		*		1
60	40126158	UPPER_FEED_FRONT_ARM_BUSH		*		2
61	40125876	UPPER_FEED_CAM_ROD				1
62	40123345	FELT				2
63	10712552	PRESSER_FOOT_ASM.				1
64	22913008	FEED_ROCKER_SHAFT_BUSHING				2
65	CQ202000000	OIL_WICK				0.25
66	CQ202000000	OIL_WICK				0.02
67	CQ202000000	OIL_WICK				0.02
68	CQ252000000	OIL_WICK				0.048
69	CQ202000000	OIL_WICK				0.1
70	CQ202000000	OIL_WICK				0.25
71	CQ202000000	OIL_WICK				0.25
72	CQ202000000	OIL_WICK				0.25
73	10711653	FEED_FOOT_ASM.				1
74	40149115	ROCKING_LINK_PIN_A	SELECTIVE PARTS			1
75	40149116	ROCKING_LINK_PIN_B	SELECTIVE PARTS			1
76	40149117	ROCKING_LINK_PIN_C	SELECTIVE PARTS			1
77	40149118	ROCKING_LINK_PIN_D	SELECTIVE PARTS			1
78	40149120	FEED_ADJUSTING_PIN_A	SELECTIVE PARTS			2
79	40149121	FEED_ADJUSTING_PIN_B	SELECTIVE PARTS			2
80	40149122	FEED_ADJUSTING_PIN_C	SELECTIVE PARTS			2
81	40149123	FEED_ADJUSTING_PIN_D	SELECTIVE PARTS			2
82	40149125	FEED_ROD_PIN_A	SELECTIVE PARTS			1
83	40149126	FEED_ROD_PIN_B	SELECTIVE PARTS			1
84	40149127	FEED_ROD_PIN_C	SELECTIVE PARTS			1
85	40149128	FEED_ROD_PIN_D	SELECTIVE PARTS			1
86	40125868	INSTALLING_PLATE				1
87	40126374	VERTICAL_ADJUSTING_PIN				1
88	40125926	PRESSER_ADJUSTING_SCREW				1
89	WP0430800SD	WASHER_M4				4
90	WP0651001SC	WASHER				2
91	40154199	LEAF_SPRING_ADJUSTING_PLATE				1
92	40023627	PRESSER_PLATE_SHEET_WASHER				2



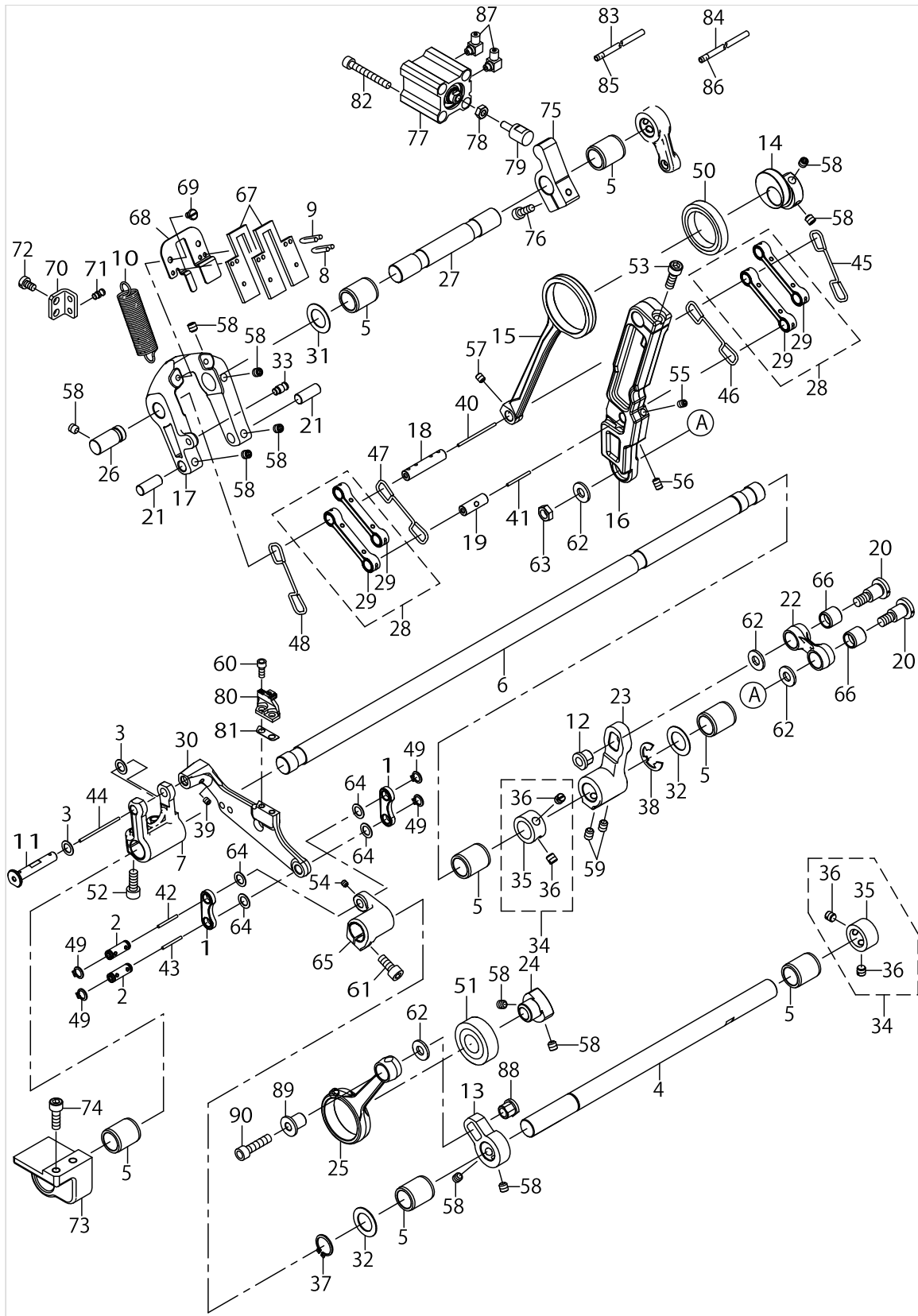
# HAND LIFTER & AUTO LIFTER COMPONENTS



HAND LIFTER & AUTO LIFTER COMPONENTS

No.	Parts No.	Parts name	Remarks	Level	Cons	Qty
1	40126367	SPRING				1
2	40006716	THREAD_TRIMMER_SHAFT				1
3	40112184	LIFTER_LEVER_A				1
4	40126150	LIFTER_LEVER_B				1
5	40144283	LIFTER_PLATE				1
6	40126364	LIFTER_SHAFT				1
7	SM8060612TP	SCREW_M6_L=6				1
8	SM6051802TP	SCREW_M5_L=18				1
9	SM6050802TP	SCREW_M5X0.8_L=8				2
10	13409107	WASHER				1
11	WZ1052010KP	WAVED_WASHER				1
12	BT0400251EB	URETHANE_HOSE_BLACK	FOR LU-2828-7			0.62
13	18035303	WIRE_MARK_(4)				1
14	40112187	KNUCKLE_JOINT_A				1
15	40112188	LIFTING_ARM				1
16	PA400150200	AIR_CYLINDER				1
17	22949101	ROLLER_FULCRUM_SHAFT				1
18	SM6081552TP	SCREW_M8_L=15				1
19	SM6061602TP	SCREW_M6_L=16				1
20	SM6054502TN	SCREW_M5_L=45				4
21	40142202	ELBOW_UNION				1
22	40143624	BACKWARD_LEVER_SHAFT_BUSH				1
23	BT0400251EB	URETHANE_HOSE_BLACK	FOR LU-2828-6			1.4
24	13951009	PRESSER_FOOT_ROLLER				2
25	RE0400000K0	E-RING_4				2

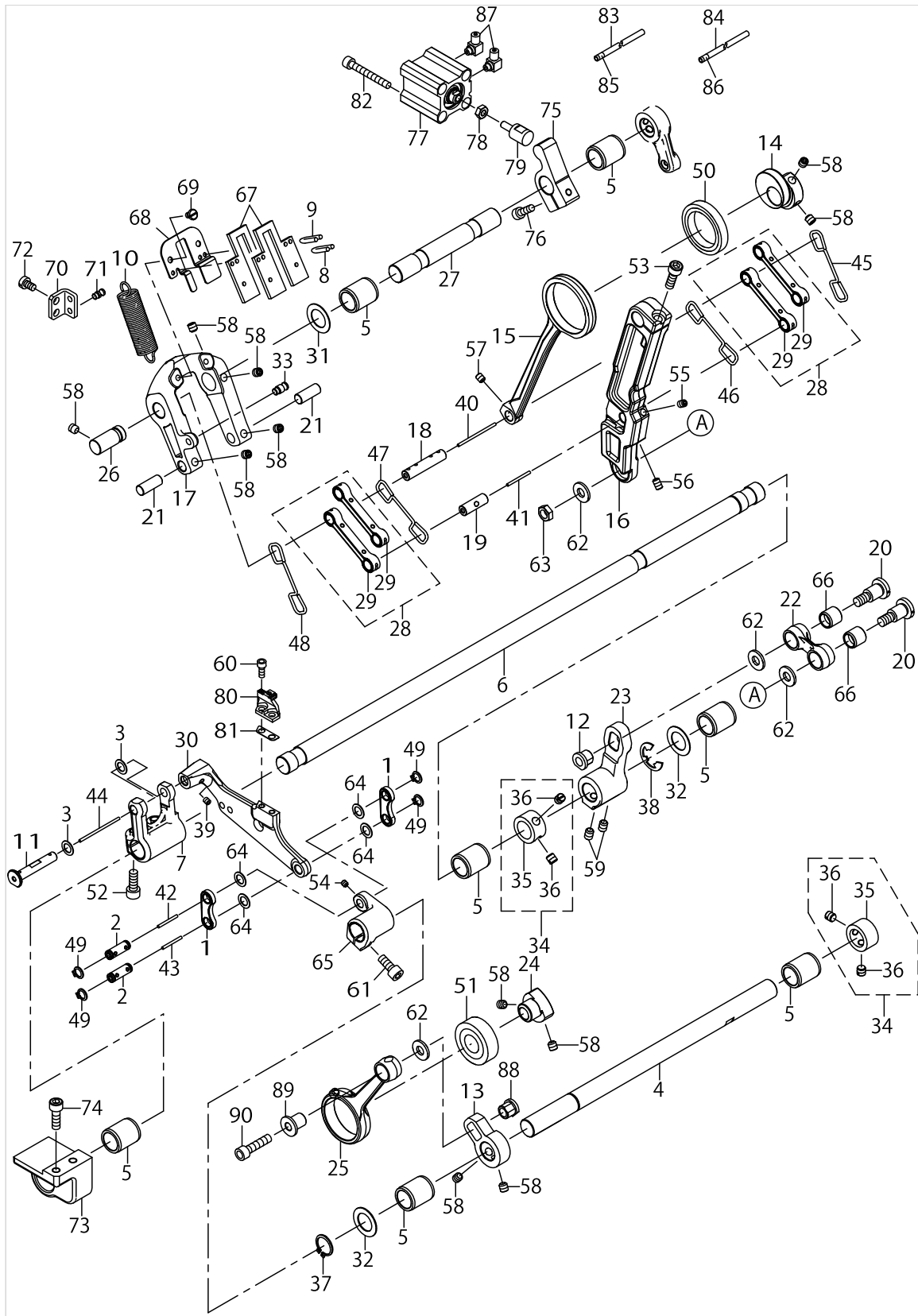
LOWER FEED COMPONENTS



LOWER FEED COMPONENTS

No.	Parts No.	Parts name	Remarks	Level	Cons	Qty
1	40123666	VERTICAL_LINK				2
2	40143626	VERTICAL_FEED_LINK				2
3	WP0740516SP	WASHER_7.4X11.8X0.5				2
4	40131621	VERTICAL_FEED_SHAFT				1
5	22913008	FEED_ROCKER_SHAFT_BUSHING				7
6	40131620	HORIZONTAL_FEED_SHAFT				1
7	40134982	FEED_BASE_ARM				1
8	CQ202000000	OIL_WICK				0.05
9	CQ202000000	OIL_WICK				0.05
10	40126401	SPRING_B				1
11	40137997	FEED_BASE_SHAFT				1
12	40126357	VERTICAL_FEED_ROD_NUT				1
13	40125843	VERTICAL_FEED_ARM_REAR				1
14	40123626	HORIZONTAL_FEED_CAM				1
15	40126151	HORIZONTAL_FEED_ROD				1
16	40123547	NEEDLE_BAR_ROCKING_LINK				1
17	40123629	HORIZONTAL_FEED_CHANGE_BASE				1
18	40112118	FEED_ROD_PIN				1
19	40123634	ROCKING_LINK_PIN				1
20	SD1021251SP	HINGE_SCREW_D=10.2_H=12.5				2
21	40126375	FEED_ADJUSTING_PIN_A				2
22	40125856	CONNECTION_LINK				1
23	40123668	HORIZONTAL_FEED_ARM				1
24	40123627	VERTICAL_FEED_CAM				1
25	40125857	VERTICAL_FEED_ROD				1
26	40123639	HF_CHANGE_BASE_SUPPORT_PIN				1
27	40131602	CHANGE_BASE_SHAFT				1
28	40126339	CONNECTION_LINK_ASM				2
29	40123252	CONNECTION_LINK		*		2
30	40131631	FEED_BASE				1
31	D1231555B00	WASHER				1
32	B125578100A	WASHER_A				2
33	40038494	THREAD_BIND_ARM_SPRING_RAC				1
34	22904155	MAIN_SHAFT_THRUST_COLLAR_ASM.				2
35	22904106	MAIN_SHAFT_THRUST_COLLAR		*		1
36	SS8660610TP	SCREW_1/4-40_L=6		*		2
37	RC0150001KP	RETAINING_RING_13.8				1
38	RE1200000K0	E-RING_12				1
39	SS8110422TP	SCREW_11/64-40_L=4				1
40	CQ202000000	OIL_WICK				0.042
41	CQ202000000	OIL_WICK				0.02
42	CQ202000000	OIL_WICK				0.024
43	CQ202000000	OIL_WICK				0.024
44	CQ202000000	OIL_WICK				0.04
45	CQ202000000	OIL_WICK				0.3
46	CQ202000000	OIL_WICK				0.3
47	CQ202000000	OIL_WICK				0.3

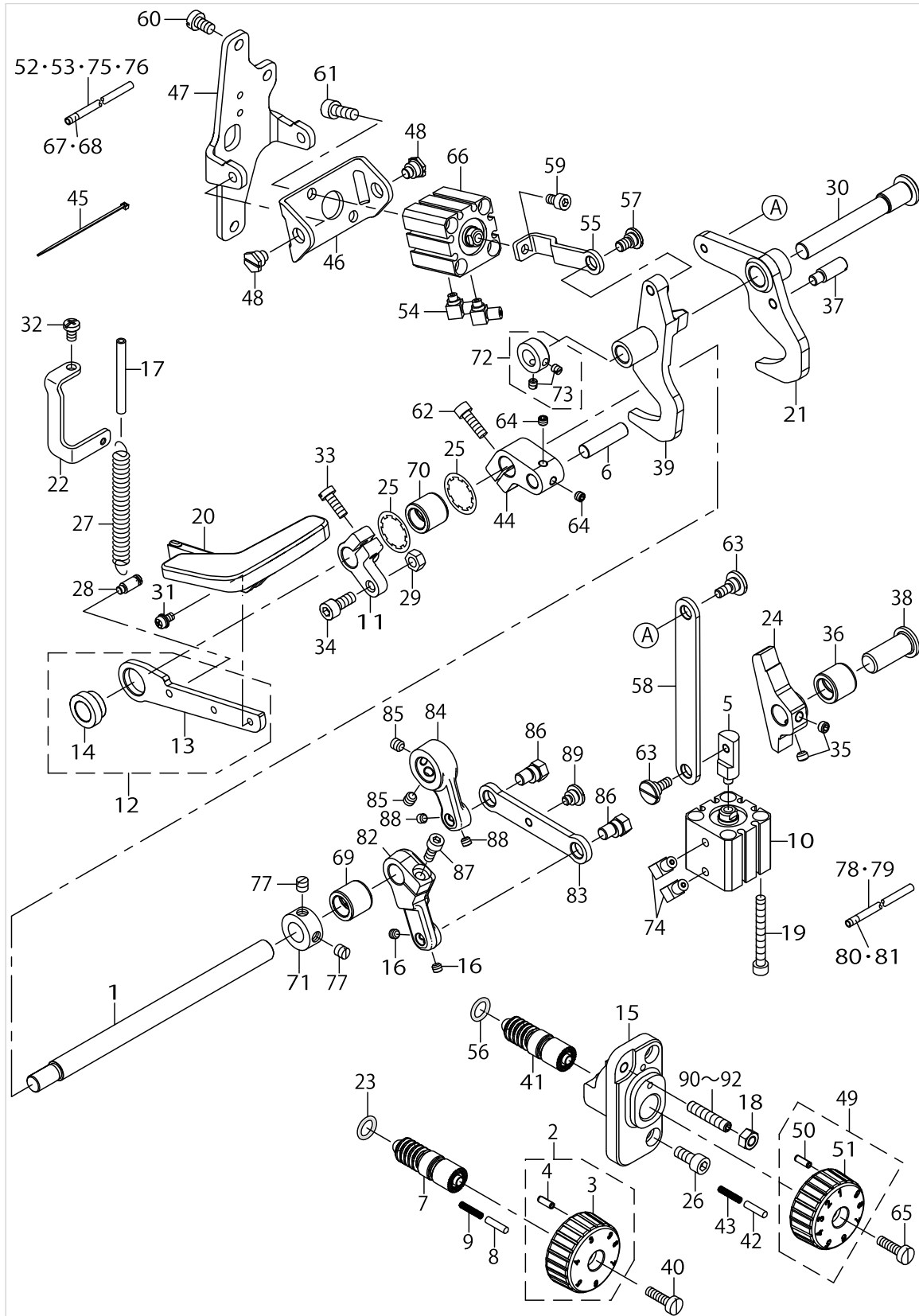
LOWER FEED COMPONENTS



LOWER FEED COMPONENTS

No.	Parts No.	Parts name	Remarks	Level	Cons	Qty
48	CQ20200000	OIL_WICK				0.3
49	RC0650811KP	RETAINING_RING				4
50	40143087	BEARING				1
51	40143085	BEARING				1
52	SM6061602TP	SCREW_M6_L=16				2
53	SM6061802TP	SCREW_M6_L=18				1
54	SM8040412TP	SET_SCREW_M4_L=4				1
55	SM8050842TP	SETSCREW				1
56	SM8050812TP	SCREW_M5X8				1
57	SM8050612TP	SCREW_M5X6				1
58	SM8060612TP	SCREW_M6_L=6				11
59	SM8060812TP	SCREW_M6_L=8				2
60	SS6111052TP	SCREW				2
61	SM6061402TP	SCREW_M6_L=14				1
62	26018705	WASHER				4
63	NS6680410SP	NUT_9/32-28				1
64	WP0740516SP	WASHER_7.4X11.8X0.5				4
65	40125935	VERTICAL_FEED_ARM_FRONT				1
66	40126359	VERTICAL_FEED_ROD_BUSH				2
67	40123345	FELT				2
68	40123346	FELT HOLDER				1
69	SM6040650TP	SCREW				2
70	12288908	THROAT_PLATE_BASE_B_SUPPORT				1
71	26017400	SPRING_RAC				1
72	SM6050800SP	SCREW_M5_L=8				2
73	40131619	METAL_INSTALLING_BOSS				1
74	SM6061802TP	SCREW_M6_L=18				2
75	40131597	CONDENSE_CYLINDER_ARM				1
76	SM6051602TP	SCREW_M5X0.8_L=16				1
77	PA200200500	AIR_CYLINDER				1
78	NM6050001SD	NUT_M5X0.8				1
79	40131607	CONDENSE_PUSH_PIN				1
80	40135816	FEED_DOG_2820A7				1
81	40138020	FEED_DOG_SPACER				1
82	SM6054002TN	SCREW_M5X0.8_L=40				2
83	BT0400251EB	URETHANE_HOSE_BLACK				0.6
84	BT0400251EB	URETHANE_HOSE_BLACK				0.6
85	18035808	WIRE_MARK_(9)				1
86	18035907	WIRE_MARK_(10)				1
87	PJ032052503	HOSE_NIPPLE				2
88	40154832	VERTICAL_FEED_ROD_NUT				1
89	40154833	VERTICAL_FEED_COLLAR				1
90	SM6062502TP	SCREW M6 L=25				1

FEED ADJUST COMPONENTS

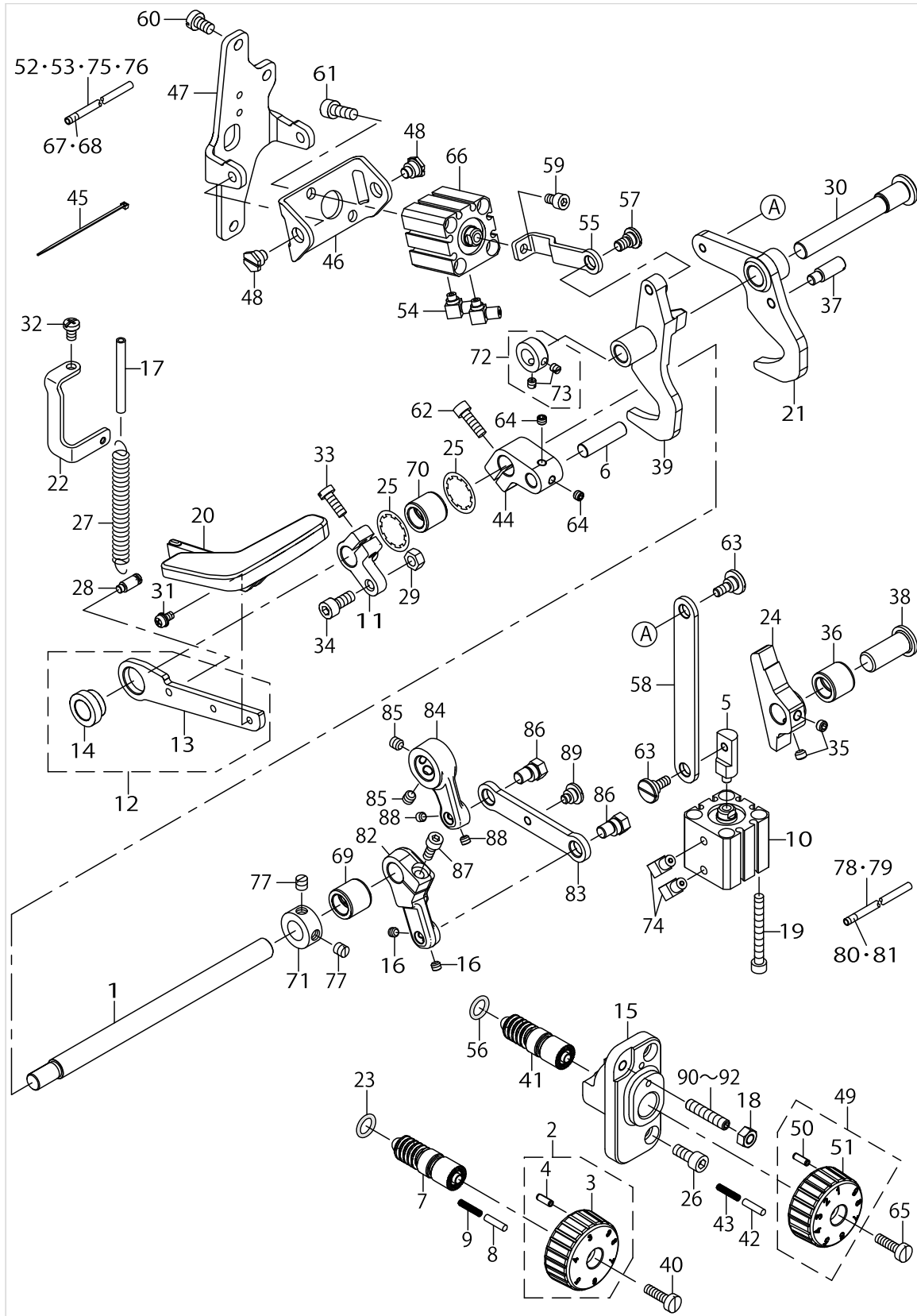


FEED ADJUST COMPONENTS

No.	Parts No.	Parts name	Remarks	Level	Cons	Qty
1	40150059	REVERSE_FEED_LEVER_SHAFT_V				1
2	40142200	FEED_DIAL_(A)_ASM.				1
3	40142201	FEED_DIAL_(A)		*		1
4	PS0350102KR	SPRING_PIN_3.5X10		*		1
5	40131601	CYLINDER_CONNECTING_SCREW				1
6	40131599	FEED_ADJUSTING_PIN				1
7	22911804	FEED_REGULATOR_SCREW			☆	1
8	22912000	FEED_REGULATOR_PIN				1
9	18053900	SPRIG				1
10	PA200150900	AIR_CYLINDER				1
11	40112127	BACKWARD_FEED_CONNECTING_ARM				1
12	40112128	REVERSE_FEED_LEVER_PLATE_ASM				1
13	40112281	REVERSE_FEED_REVER_PLATE		*		1
14	40112282	REVERSE_FEED_REVER_BUSH		*		1
15	40149039	FEED_DIAL_BASE				1
16	SM8050412TP	SCREW_M5_L=4				2
17	23630007	TUBE				0.08
18	NM6060001SD	NUT_M6				1
19	SM6054502TP	SCREW_M5X0.8_L=45				2
20	40126116	REVERSE_FEED_LEVER_DRAFT				1
21	40131591	ADJUSTING_BASE_A				1
22	40125864	REVERSE_FEED_LEVER_SPRING_HOOK				1
23	RO092270200	RUBBER_RING				1
24	40131594	FEED_DIAL_ARM				1
25	WT1780011KP	TOOTHED_WASHER_18				2
26	SM6061402TP	SCREW_M6_L=14				2
27	D2629M1YC0F	SPRING				1
28	26229302	SUSPENSION_SCREW				1
29	NM6050001SD	NUT_M5X0.8				1
30	40131609	ADJUSTING_BASE_SHAFT				1
31	SL4040881SC	SCREW_M4_L=8				2
32	SM4050855SP	SCREW				1
33	SM6051400SP	SCREW				1
34	SM6051202TP	SCREW_M5X0.8_L=12				1
35	SM8060412TP	SCREW				2
36	40143624	BACKWARD_LEVER_SHAFT_BUSH				1
37	40135860	ADJUSTING_BASE_SCREW				1
38	40131610	FEED_DIAL_SHAFT				1
39	40125920	ADJUSTING_BASE_B				1
40	SS6121860SP	SCREW_3/16-28_L=18				1
41	22911804	FEED_REGULATOR_SCREW			☆	1
42	40122887	FEED_REGULATOR_PIN				1
43	22912109	FEED_REGULATOR_PIN_SPRING				1
44	40131596	FEED_ADJUSTING_PIN HOLDER_B				1
45	EA9500B0100	CABLE_BAND				1
46	40126642	CYLINDER_BASE_A				1
47	40126643	CYLINDER_BASE_B				1



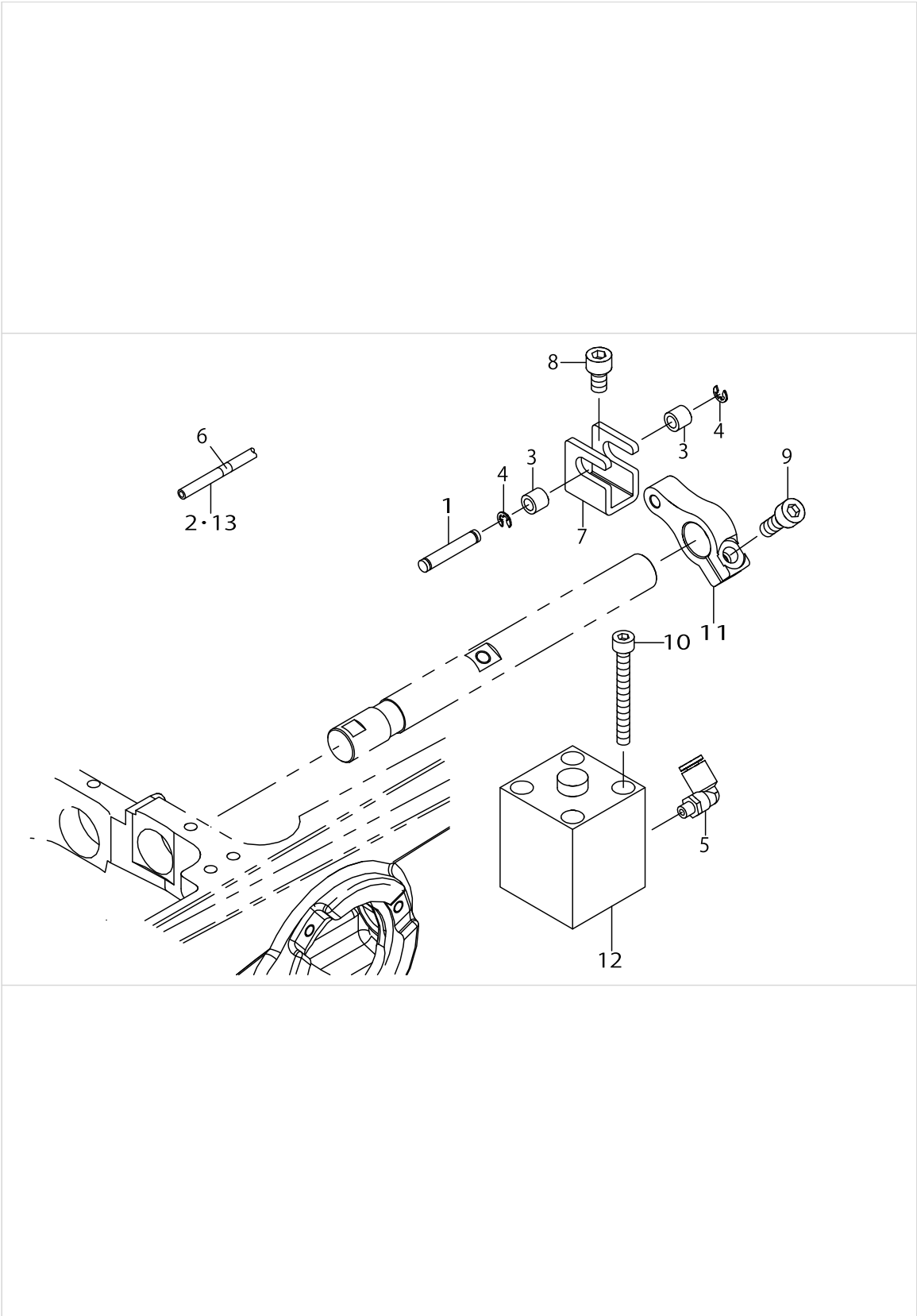
FEED ADJUST COMPONENTS



FEED ADJUST COMPONENTS

No.	Parts No.	Parts name	Remarks	Level	Cons	Qty
48	SD0900426TP	SHOULDER_SCREW_D=9_H=4.2				2
49	40134993	FEED_DIAL_2820_ASM				1
50	PS0350102KR	SPRING_PIN_3.5X10		*		1
51	40134994	FEED_DIAL_2820		*	☆	1
52	BT0400251EB	URETHANE_HOSE_BLACK				0.36
53	BT0400251EB	URETHANE_HOSE_BLACK				0.36
54	PJ046052503	HOSE_ELBOW				2
55	40112267	CYLINDER_JOINT				1
56	RO092270200	RUBBER_RING			☆	1
57	SD0800346TP	SHOULDER_SCREW				1
58	40131600	LINK_C				1
59	SM6050802TP	SCREW_M5X0.8_L=8				1
60	SM6061010TP	SCREW_M6_L=10				3
61	SM6061602TP	SCREW_M6_L=16				2
62	SM6051602TP	SCREW_M5X0.8_L=16				1
63	SD0800426TP	SHOULDER_SCREW				2
64	SM8050412TP	SCREW_M5_L=4				2
65	SS6121860SP	SCREW_3/16-28_L=18				1
66	PA200150900	AIR_CYLINDER				1
67	18035006	CABLE_MARK_NO.1				1
68	18035105	WIRE_MARK_(2)				1
69	40143624	BACKWARD_LEVER_SHAFT_BUSH				1
70	13424502	BUSHING_FRONT				1
71	CS1201171TP	THRUST_COLLAR_D=12_W=11				1
72	CS100081CSP	THRUST_COLLAR_ASM.				1
73	SS8110520TP	SCREW_11/64-40_L=4.5		*		2
74	PJ046052503	HOSE_ELBOW				2
75	BT0400251EB	URETHANE_HOSE_BLACK	FOR LU-2828-6			0.76
76	BT0400251EB	URETHANE_HOSE_BLACK	FOR LU-2828-6			0.76
77	SM8060612TP	SCREW_M6_L=6				2
78	BT0400251EB	URETHANE_HOSE_BLACK				0.13
79	BT0400251EB	URETHANE_HOSE_BLACK				0.13
80	18036004	WIRE_MARK_(11)				1
81	18036103	WIRE_MARK_(12)				1
82	40131592	FEED_ADJUSTING_LINK_ARM				1
83	40131605	FEED_ADJUSTING_LINK				1
84	40131595	FEED_ADJUSTING_ARM				1
85	SM8060612TP	SCREW_M6_L=6				2
86	23613409	FEED_ADJUSTING_PIN				2
87	SM6051202TP	SCREW_M5X0.8_L=12				1
88	SM8050412TP	SCREW_M5_L=4				2
89	SD0800406TP	SHOULDER_SCREW_D=8_H=4				1
90	40153570	SCREW M6 L=26	SELECTIVE PARTS			1
91	40153571	SCREW M6 L=27	SELECTIVE PARTS			1
92	40153572	SCREW M6 L=28	SELECTIVE PARTS			1

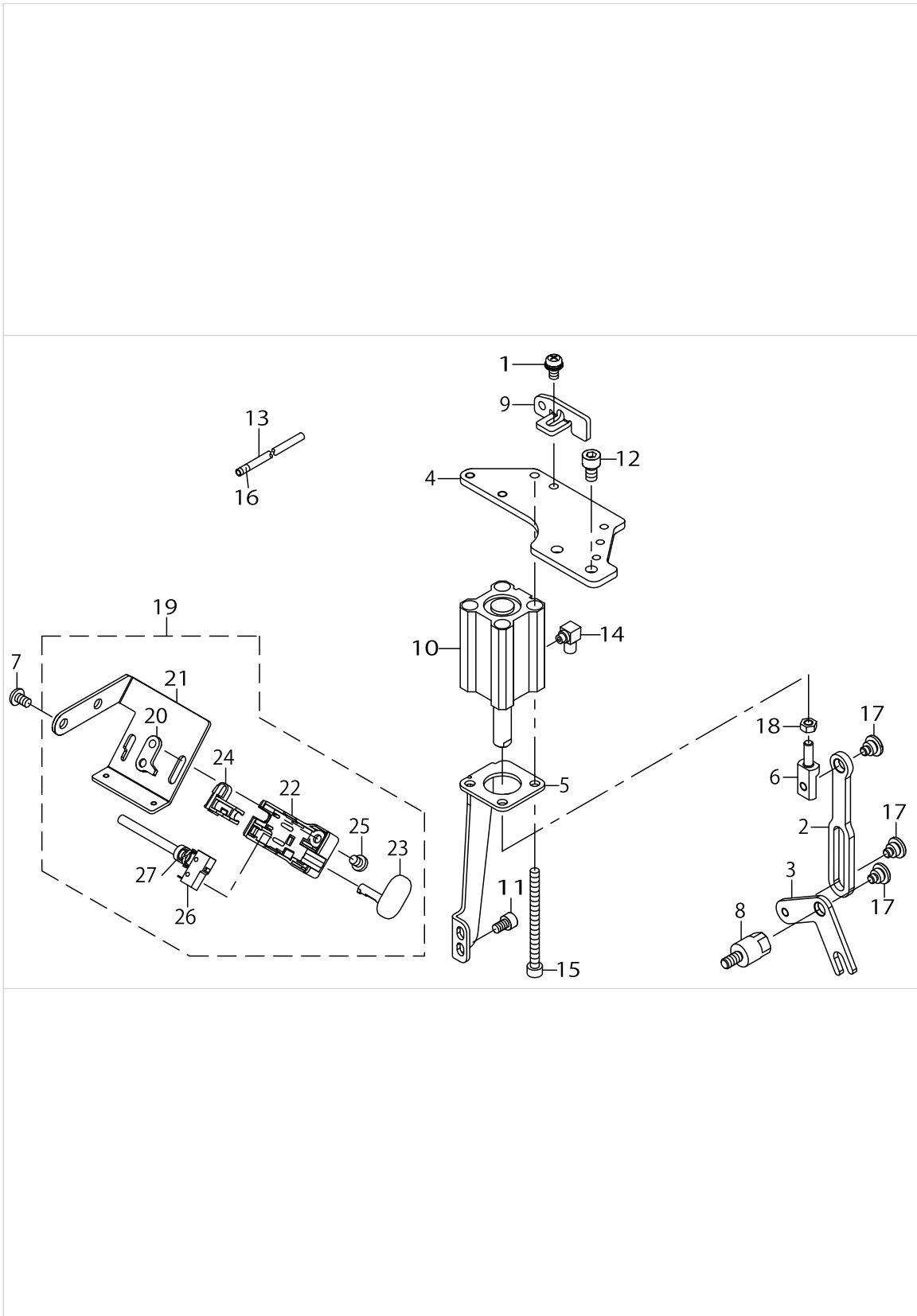
DL COMPONENTS



## DL COMPONENTS

No.	Parts No.	Parts name	Remarks	Level	Cons	Qty
1	B1504210000	CONNECTING_SHAFT				1
2	BT0400251EB	URETHANE_HOSE_BLACK				0.58
3	B3031141H00	CONNECTING_STUD				2
4	RE0320000K0	E-RING_3.2				2
5	PJ304040504	ELBOW_UNION				1
6	18035501	WIRE_MARK_(6)				1
7	40112191	KNUCKLE_JOINT_B				1
8	SM6061002TP	SCREW_M6_L=10				1
9	SM6061602TP	SCREW_M6_L=16				1
10	SM6054502TP	SCREW_M5X0.8_L=45				2
11	40112192	TERTICAL_CYLINDER_ARM				1
12	PA250250900	AIR_CYLINDER				1
13	BT0400251EB	URETHANE_HOSE_BLACK	FOR LU-2828-6			0.98

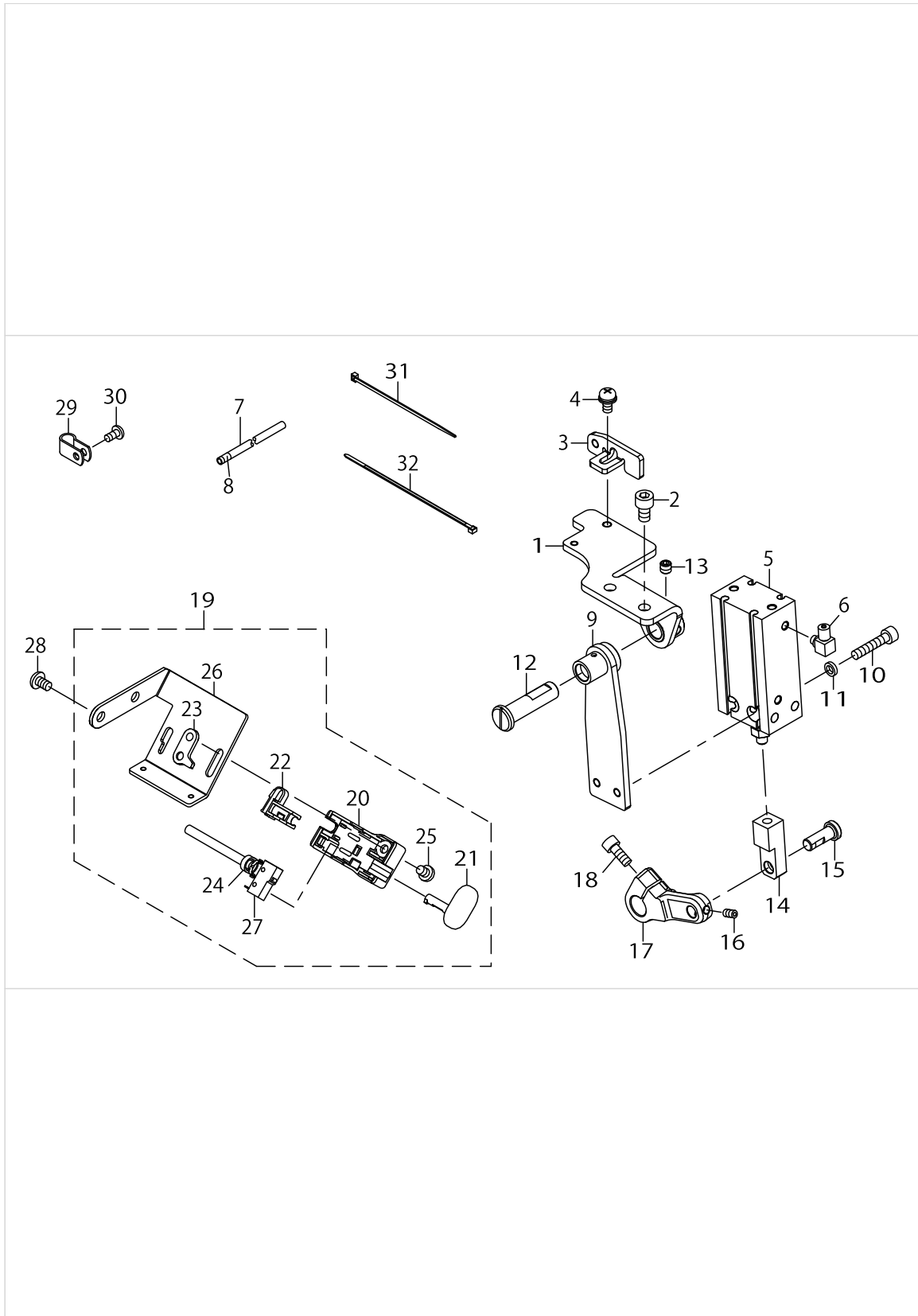
AUTO BT COMPONENTS (FOR LU-2828-7)



AUTO BT COMPONENTS (FOR LU-2828-7)

No.	Parts No.	Parts name	Remarks	Level	Cons	Qty
1	SL4051091SC	SCREW_M5X0.8_L=10				1
2	40131603	BT_LINK_A				1
3	40131593	BT_LINK_B				1
4	40125872	CYLINDER_BRACKET				1
5	40112140	CYLINDER_STAY				1
6	40131608	CYLINDER_KNUCKLE_JOINT				1
7	SM4050855SP	SCREW				2
8	40177648	BT_LINK_STUD				1
9	40112228	MOTOR_COVER_FITTING_PLATE				1
10	40142208	AIR_CYLINDER				1
11	SM6050802TP	SCREW_M5X0.8_L=8				2
12	SM6061002TP	SCREW_M6_L=10				2
13	BT0400251EB	URETHANE_HOSE_BLACK				0.27
14	PJ046052503	HOSE_ELBOW				1
15	SM6056552TP	SCREW				3
16	18035709	WIRE_MARK_(8)				1
17	SD0800406TP	SHOULDER_SCREW_D=8_H=4				3
18	NM6050001SE	NUT_M5				1
19	40112288	TB_SWITCH_ASSY				1
20	23632102	REVERSE_FEED_SWITCH_BASE_GUIDE		*		1
21	40112213	TB_SW_MOUNTING_PLATE		*		1
22	23631708	REVERSE_FEED_SWITCH_COVER		*		1
23	23631807	REVERSE_FEED_SWITCH_SHAFT		*		1
24	23631906	REVERSE_FEED_SWITCH_SUPPORT		*		1
25	SS7110740TP	SCREW_11/64-40_L=7		*		1
26	40126129	REVERSE_FEED_CORD_ASM		*		1
27	EA9500B0100	CABLE_BAND		*		1

AUTO BT COMPONENTS (FOR LU-2828-6)

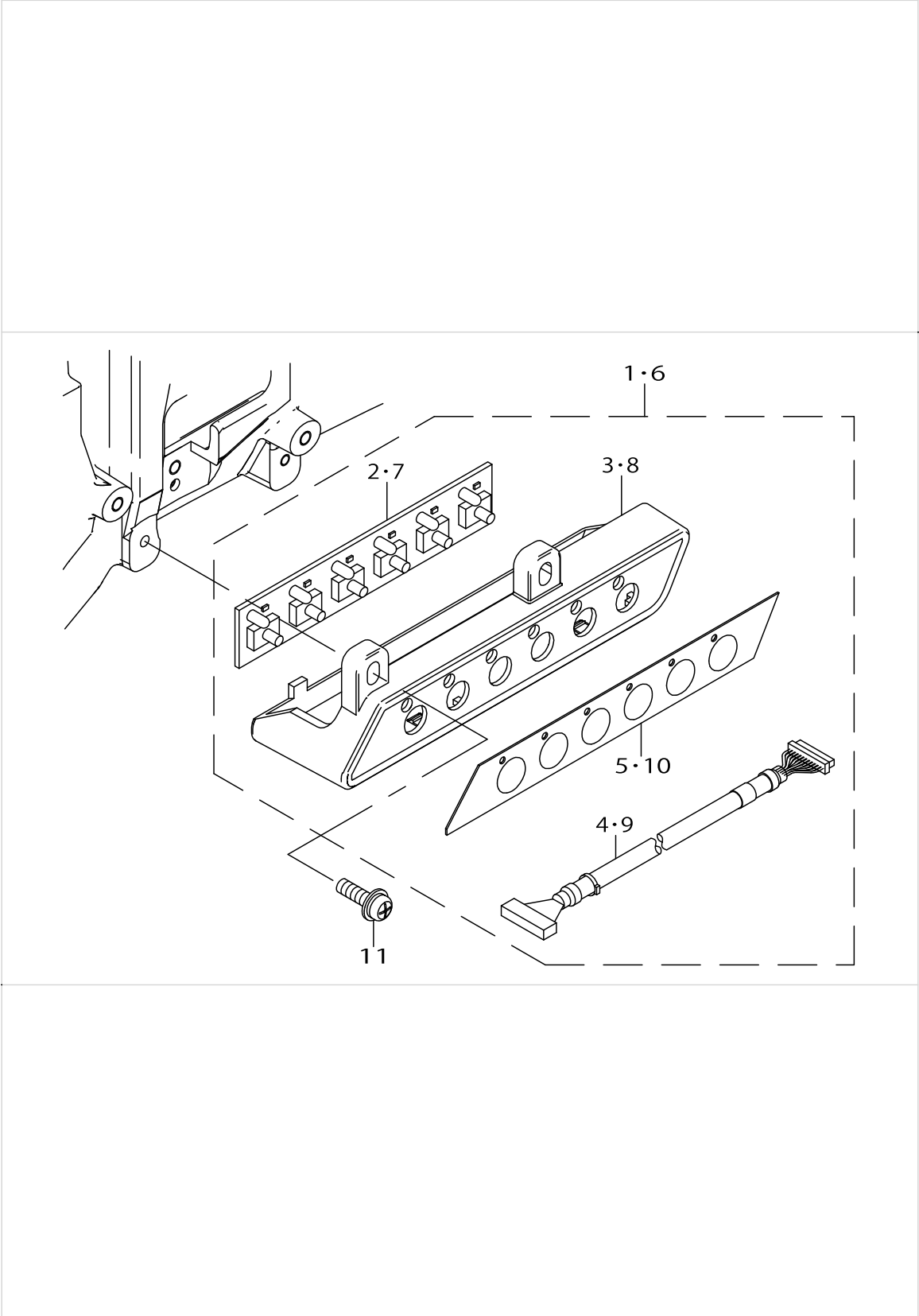


AUTO BT COMPONENTS (FOR LU-2828-6)

No.	Parts No.	Parts name	Remarks	Level	Cons	Qty
1	40142041	CYLINDER_BASE_ASM.				1
2	SM6061002TP	SCREW_M6_L=10				2
3	40112228	MOTOR_COVER_FITTING_PLATE				1
4	SL4051091SC	SCREW_M5_L=10				1
5	PA2004004A0	CYLINDER				1
6	PJ046052503	HOSE_ELBOW				1
7	BT0400251EB	URETHANE_TUBE_BLACK_4X2.5				0.9
8	18035709	WIRE_MARK_(8)				1
9	40142040	CYLINDER_FITTING_PLATE_ASM.				1
10	SM6052502TN	SCREW				2
11	13441001	SPACER_2				2
12	40006716	THREAD_TRIMMER_SHAFT				1
13	SM8060612TP	SCREW_M6_L=6				2
14	40139485	FEED_ADJUSTING_LINK_ROD				1
15	40139486	FEED_ADJUSTING_LINK_SHAFT				1
16	SM8050612TP	SCREW_M5X6				2
17	40131592	FEED_ADJUSTING_LINK_ARM				1
18	SM6051202TP	SCREW_M5X0.8_L=12				1
19	40142048	TB_SW_ASSY				1
20	23631708	REVERSE_FEED_SWITCH_COVER		*		1
21	23631807	REVERSE_FEED_SWITCH_SHAFT		*		1
22	23631906	REVERSE_FEED_SWITCH_SUPPORT		*		1
23	23632102	REVERSE_FEED_SWITCH_BASE_GUIDE		*		1
24	EA9500B0100	CABLE_BAND		*		1
25	SS7110740TP	SCREW_11/64-40_L=7		*		1
26	40112213	TB_SW_MOUNTING_PLATE		*		1
27	40142049	REVERSE_FEED_CORD_ASM		*		1
28	SM4050855SP	SCREW				2
29	HX00150000B	CABLE_CLIP				1
30	SM4040855SP	SCREW				1
31	EA9500B0100	CABLE_BAND				10
32	HX00065000A	CABLE_CLIP				10



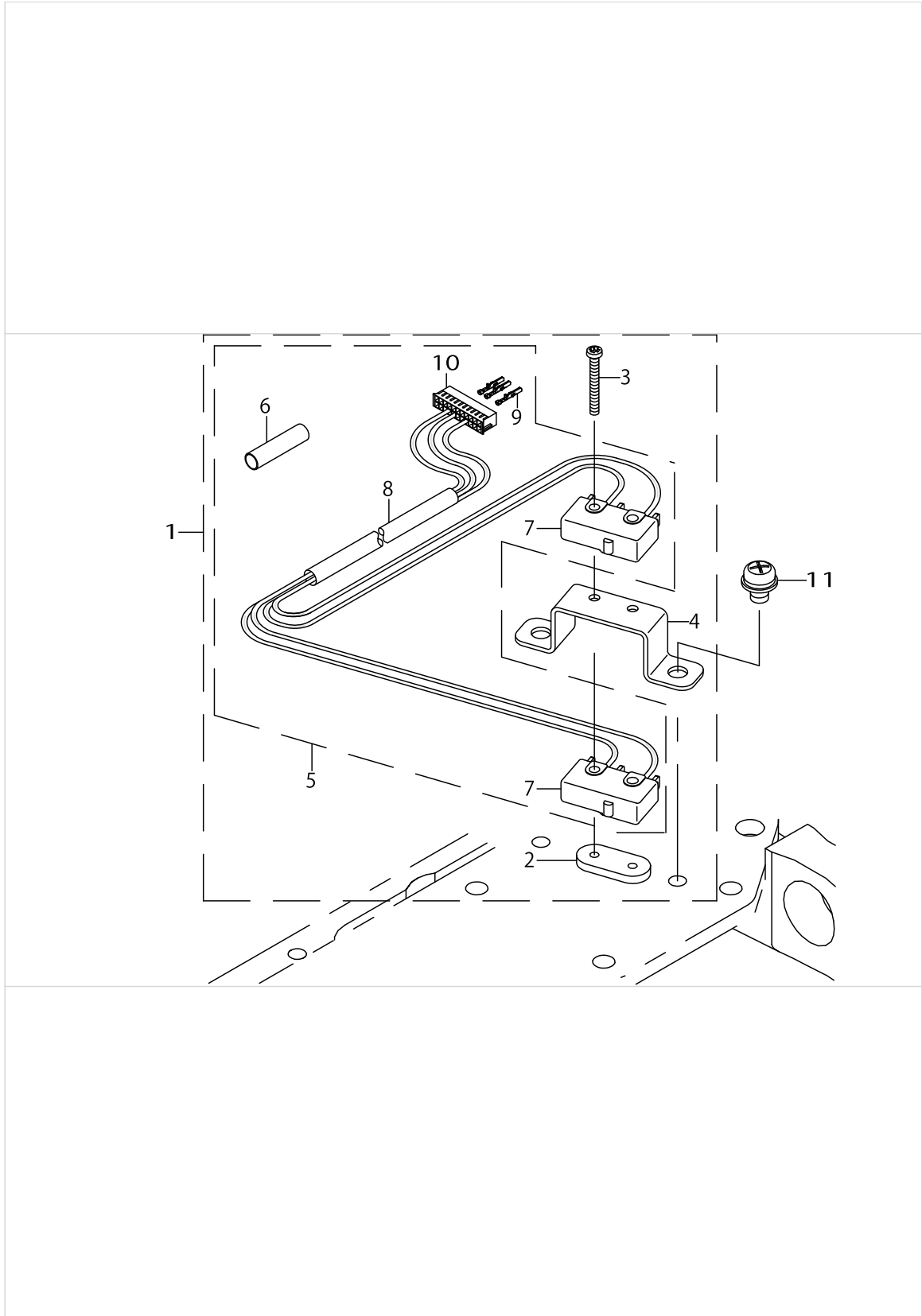
6-RANGE SW COMPONENTS



6-RANGE SW COMPONENTS

No.	Parts No.	Parts name	Remarks	Level	Cons	Qty
1	40105508	6RANGE_SWITCH_ASM				1
2	40105510	6RANGE_SWITCH_PCB_ASSY		*		1
3	40112215	6RANGE_SWITCH_COVER		*		1
4	40105509	6RANGE_SWITCH_CABLE_ASM		*		1
5	40112216	PANEL_SHEET		*		1
6	40142064	6RANGE_SWITCH_ASM	FOR LU-2828-6			1
7	40105510	6RANGE_SWITCH_PCB_ASSY	FOR LU-2828-6	*		1
8	40112215	6RANGE_SWITCH_COVER	FOR LU-2828-6	*		1
9	40142054	6RANGE_SWITCH_CABLE_ASM	FOR LU-2828-6	*		1
10	40112216	PANEL_SHEET	FOR LU-2828-6	*		1
11	SL4041491SC	SCREW_4X14				2

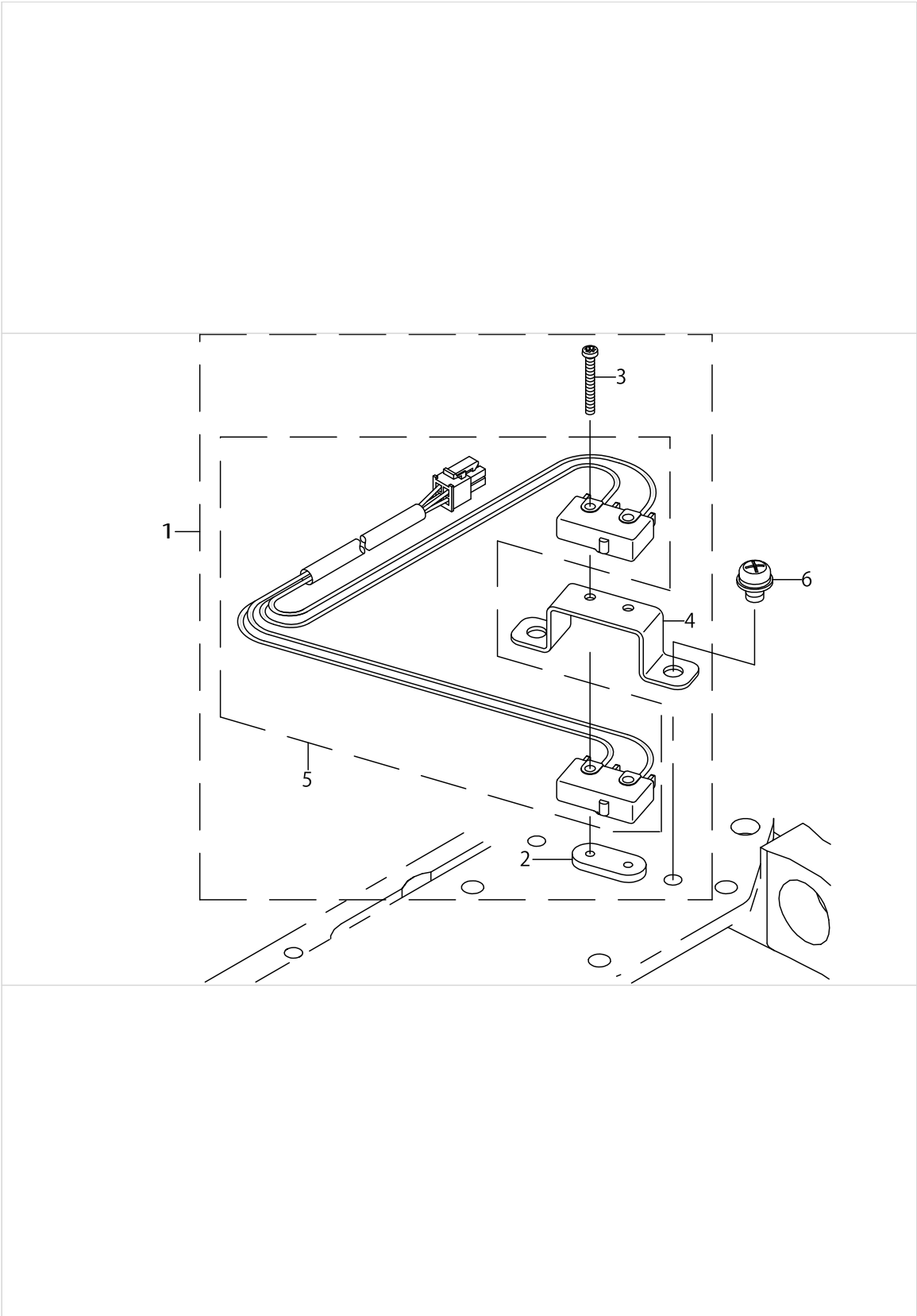
SPEED ADJUST COMPONENTS (FOR LU-2828-7)



SPEED ADJUST COMPONENTS (FOR LU-2828-7)

No.	Parts No.	Parts name	Remarks	Level	Cons	Qty
1	40126260	VERTICAL_DETECTOR_SWITCH_ASM				1
2	23638406	SAFETY_SWITCH_NUT		*		1
3	SM4021601SN	SCREW_M2_L=16		*		2
4	40126259	SENSOR_BRACKET		*		1
5	40126131	SPEED_CONTROL_CORD_ASM		*		1
6	E8760452D00	TUBE_0.015M		*		0.03
7	HA004680000	SWITCH		*		2
8	HW000840040	4-CORE_CABTYRE_CORD		*		1.37
9	HK075230000	TERMINAL		*		3
10	HK063610220	CONNECTOR		*		1
11	SL4040691SC	SCREW_M4_L=6				2

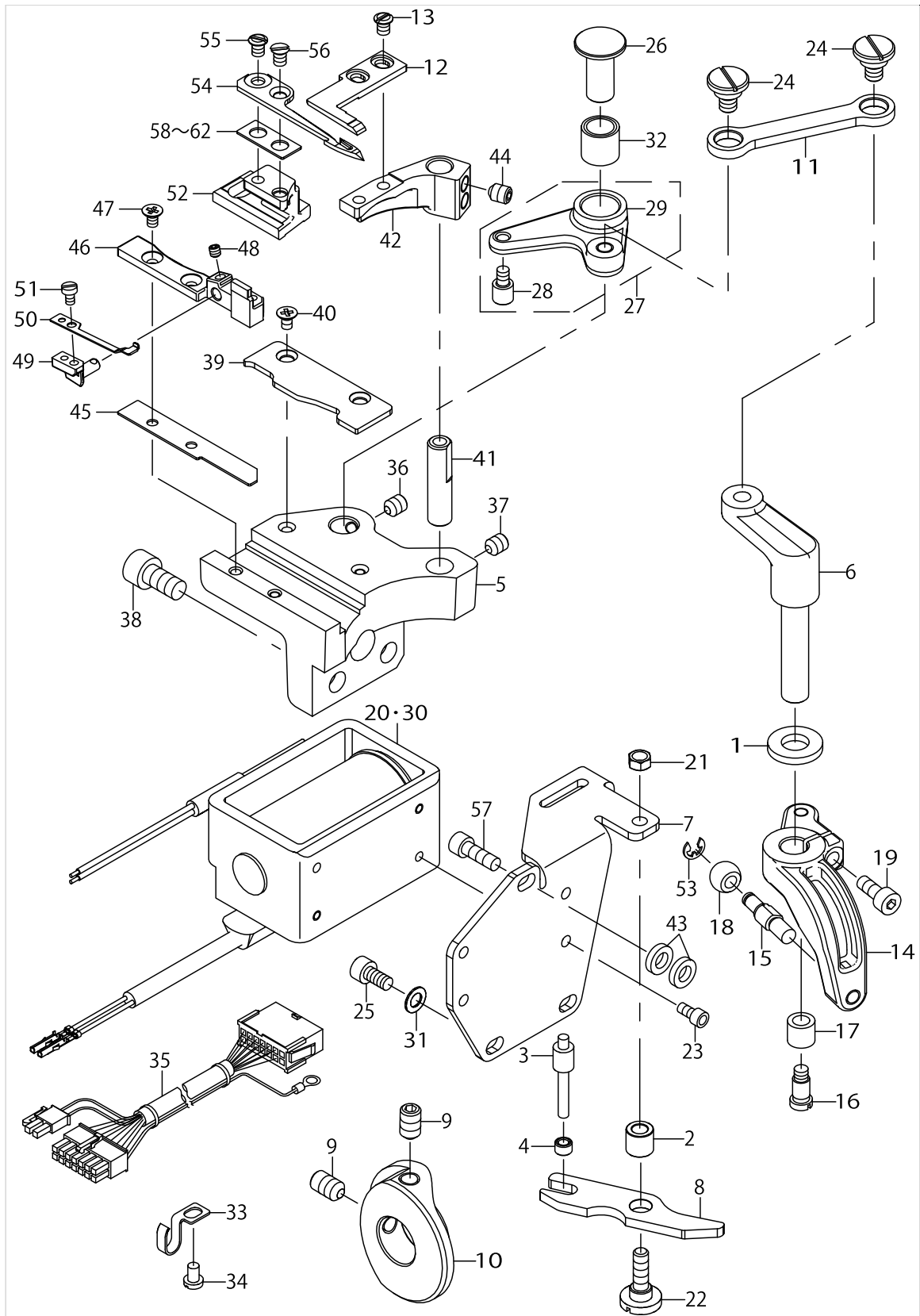
SPEED ADJUST COMPONENTS (FOR LU-2828-6)



SPEED ADJUST COMPONENTS (FOR LU-2828-6)

No.	Parts No.	Parts name	Remarks	Level	Cons	Qty
1	40142065	VERTICAL_DETECTOR_SWITCH_ASM				1
2	23638406	SAFETY_SWITCH_NUT		*		1
3	SM4021601SN	SCREW_M2_L=16		*		2
4	40126259	SENSOR_BRACKET		*		1
5	40142053	SPEED_CONTRL_CORD_ASM		*		1
6	SL4040691SC	SCREW_M4_L=6				2

THREAD CUTTING COMPONENTS

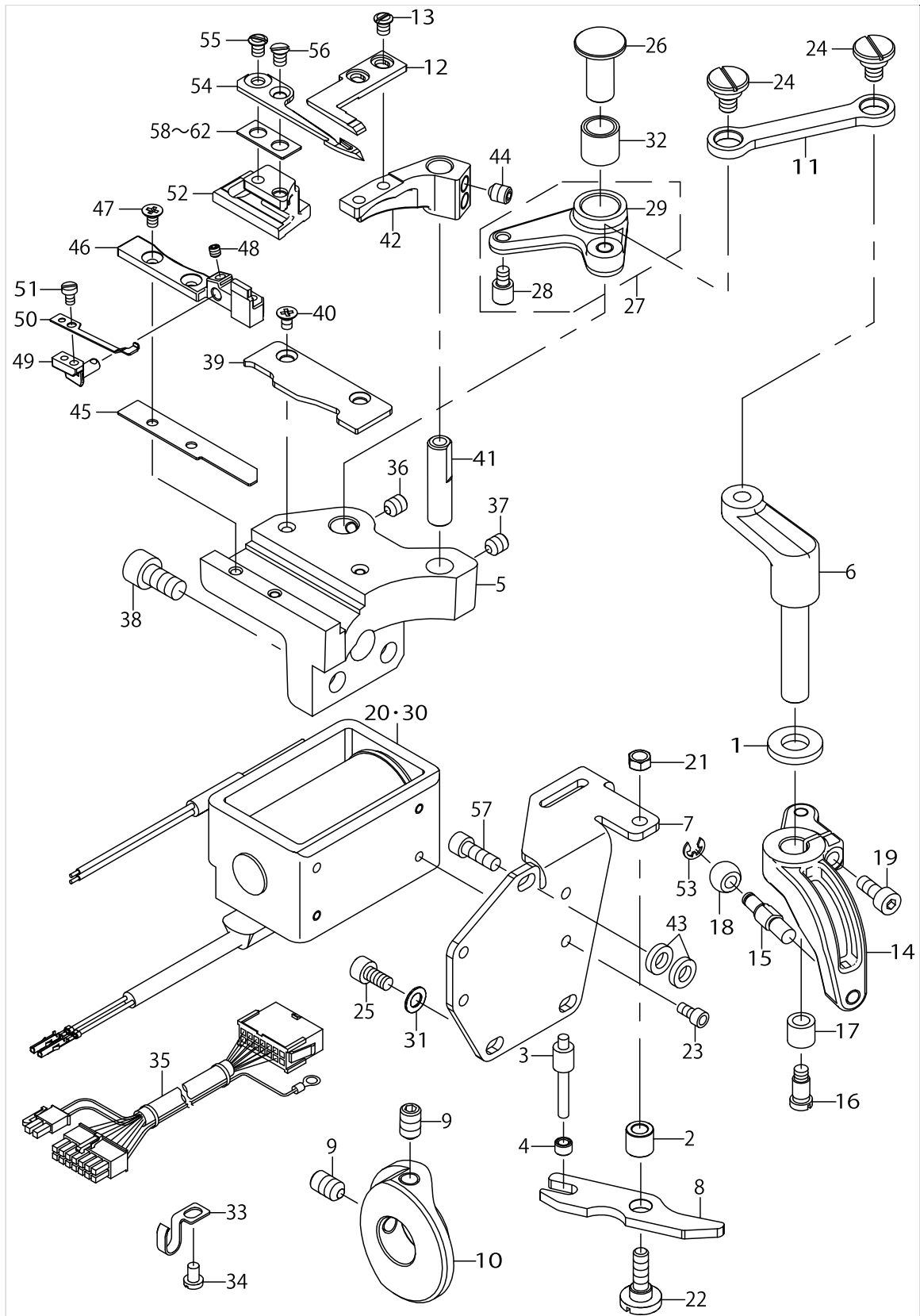


THREAD CUTTING COMPONENTS

No.	Parts No.	Parts name	Remarks	Level	Cons	Qty
1	B185351200E	HOOK_SHAFT_WASHER				1
2	22956205	WIPER_HINGE_SCREW_COLLAR				1
3	22957104	WIPER_SOLENOID_SHAFT				1
4	22957203	WIPER_LINK_COLLAR				1
5	40147930	KNIFE_BASE				1
6	40131636	M_KNIFE_DRIVING_SHAFT				1
7	40131640	THREAD_TRIMMER_SOL_BASE_PLATE				1
8	40131638	KNIFE_DRIVING_ARM_LINK				1
9	SM8061002TP	SCREW_M6_L=10				2
10	40131633	S_TRM_CAM_R				1
11	40131635	CONNECTION_LINK				1
12	40135498	FIXED_KNIFE			☆	1
13	SS6090580TP	SCREW_9/64-40_L=4.5				2
14	40131637	MOVING_KNIFE_DRIVING_ARM				1
15	40130593	ROLLER_SHAFT				1
16	SD0500726TP	SHOULDER_SCREW_D=5_H=7.2				1
17	13737804	DRIVING_ARM_BOSS_ROLLER				1
18	21470505	CAM_ROLLER(245-7SP)				1
19	SM6041002TP	SCREW_M4_L=10				1
20	40137921	THREAD_TRIMMER_SOLENOID				1
21	NS6110310SP	NUT_11/64-40				1
22	SD0650321TP	HINGE_SCREW_D=6.5_H=3.2				1
23	SM6030602TP	SCREW_M3X0.5_L=6				4
24	SD0800329TP	SHOULDER_SCREW				2
25	SM6040802TP	SCREW_M4X0.7_L=8				2
26	40135897	M_KNIFE_SUPPORT_PIN				1
27	40149043	ASSY_KNIFE_DRIVING_ARM				1
28	40012499	KNIFE_BASE_SHAFT_PIN		*	☆	1
29	40131617	M_KNIFE_DRIVING_ARM		*		1
30	40142050	THREAD_TRIMMER_SOLENOID	FOR LU-2828-6			1
31	WP0450000SD	WASHER_4.5X8X0.5				3
32	SB30800140A	BEARING				1
33	26231902	OIL_WICK_PIPE_STOPPER				1
34	SM4040655SP	SCREW_M4_L=6				1
35	40126130	SOLENOID_RELAY_CABLE_ASM				1
36	SM80506A2TP	SCREW M5 L=6				1
37	SM80506A2TP	SCREW_M5_L=6				2
38	SM6061202TP	SCREW_M6_L=12				2
39	40147927	D_KNIFE_BASE_GUIDE_R				1
40	SM1030601SN	SCREW_M3X0.5_L=6				2
41	40131616	F_KNIFE_BASE_SHAFT				1
42	40147928	F_KNIFE_BASE				1
43	40021606	WASHER(B)				2
44	SS8110422TP	SCREW_11/64-40_L=4				2
45	40147929	DRIVING_KNIFE_SUPPORT_SPACER				1
46	40147926	D_KNIFE_SPPORT_R				1
47	SM1030601SN	SCREW_M3X0.5_L=6				2



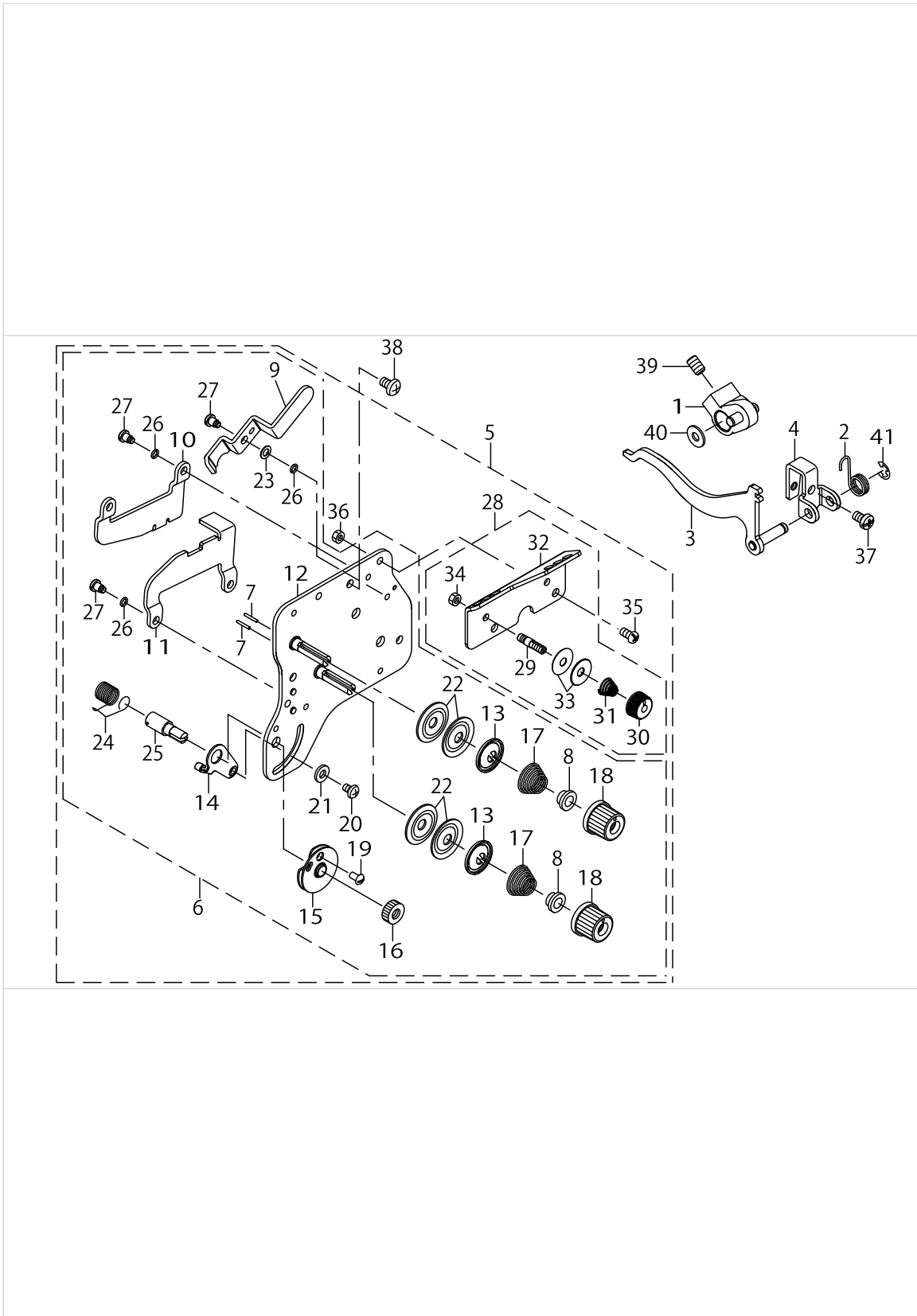
# THREAD CUTTING COMPONENTS



THREAD CUTTING COMPONENTS

No.	Parts No.	Parts name	Remarks	Level	Cons	Qty
48	SM8030312TP	SCREW_M3_L=3				1
49	40134967	CLAMP_SPRING_BASE				1
50	40135955	CLAMP_SPRING			☆	1
51	SM6850400SP	SCREW_M2.5_L=4				1
52	40147937	DRIVING_KNIFE_BASE				1
53	RE0300000K0	E-RING_3				1
54	40147938	DRIVING_KNIFE			☆	1
55	SS6090580TP	SCREW_9/64-40_L=4.5				1
56	SS1090520TP	SCREW_9/64-40_L=5				1
57	SM6041202TP	SCREW_M4X0.7_L=12				1
58	40147932	DRIVING_KNIFE_SPACER_T=0.4	SELECTIVE PARTS			1
59	40147933	DRIVING_KNIFE_SPACER_T=0.5	SELECTIVE PARTS			1
60	40147934	DRIVING_KNIFE_SPACER_T=0.6	SELECTIVE PARTS			1
61	40147935	DRIVING_KNIFE_SPACER_T=0.7	SELECTIVE PARTS			1
62	40147936	DRIVING_KNIFE_SPACER_T=0.8	SELECTIVE PARTS			1

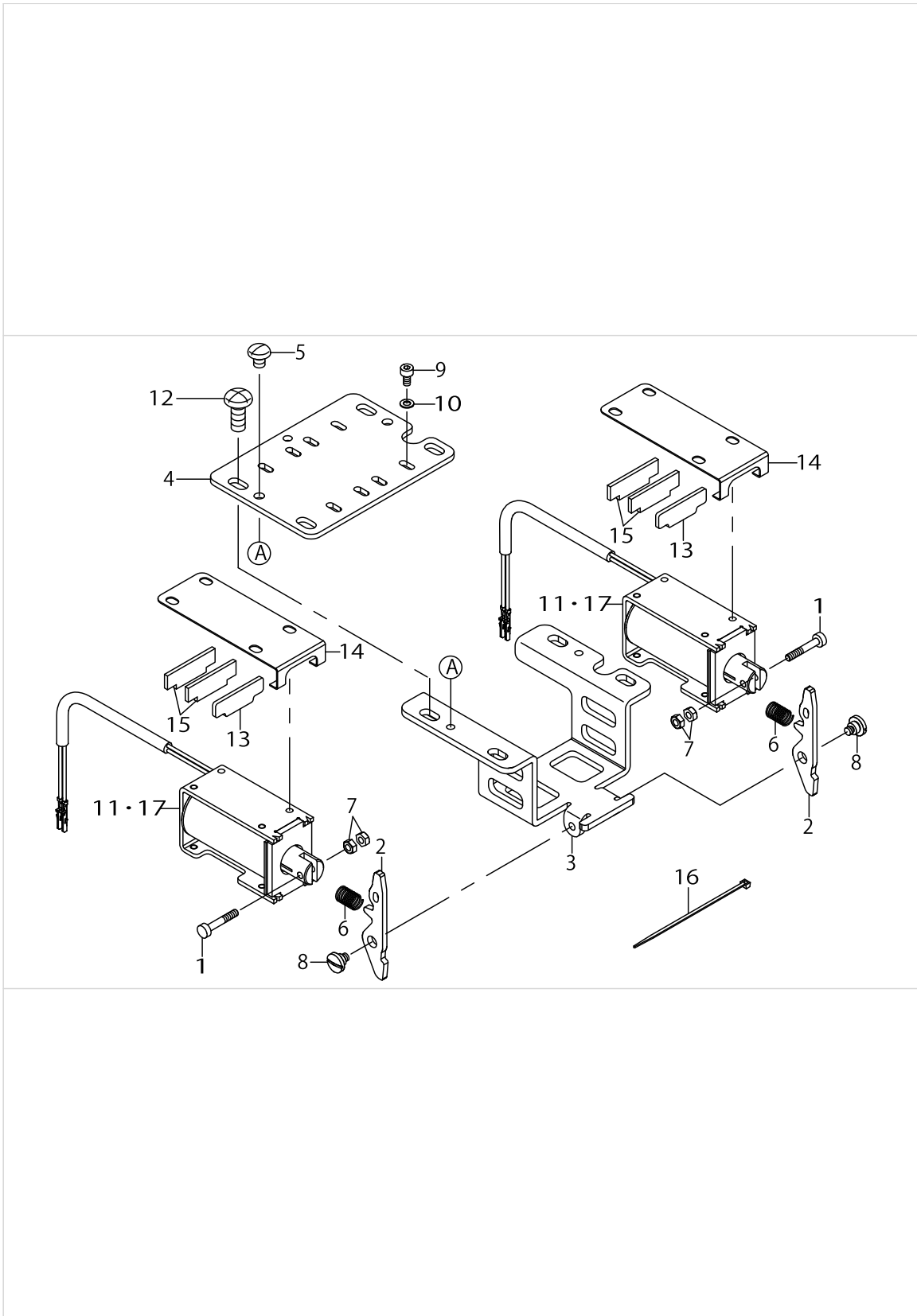
# THREAD TENSION COMPONENTS



THREAD TENSION COMPONENTS

No.	Parts No.	Parts name	Remarks	Level	Cons	Qty
1	22912257	FEED_REVERSE_ARM_ASM.				1
2	22954309	REVERSE_FEED_SWITCH_SPRING				1
3	40126265	DISK_RELEASE_LINK_ASM				1
4	40125873	DISK_RELEASE_LINK_BASE				1
5	40155956	THREAD_TENSION_ASSY_2810				1
6	40161459	THREAD_TENSION_PLATE_ASM_2810		*		1
7	22618201	TENSION_RELEASE_PIN_A		*	☆	2
8	B3112704000	TENSION_SPRING_BUSHING		*		2
9	40112204	TENSION_RELEASE_LEVER		*		1
10	40112218	DISK_RELEASE_PLATE_A		*		1
11	40112219	DISK_RELEASE_PLATE_B		*		1
12	40126404	ASSY_TENSION_BASE_PLATE_2810		*		1
13	40126724	TENSION_DISC HOLDER		*		2
14	10697506	THREAD_TENSION_BRACKET_A		*		1
15	B31375270A0	TAKE-UP_SPRING_GUIDE_ASM.		*		1
16	22617807	NUT		*		1
17	12938304	TENSION_SPRING		*	☆	2
18	13817408	THREAD_TENSION_NUT		*	☆	2
19	SS3090710TP	SCREW_9/64-40_L=7		*		1
20	SS4110615SP	SCREW_11/64-40_L=6		*		1
21	WP0501016SD	WASHER_5X10.5X1		*		1
22	22921506	THREAD TENSION DISK		*		4
23	WP0460556SD	WASHER_4.6X7.5X0.5		*		1
24	22618706	THREAD TAKE-UP_SPRING_A		*	☆	1
25	10320109	SCREW_STUD		*		1
26	RO037180100	RUBBER_RING		*		5
27	SD0450401SP	HINGE_SCREW_D=4.5_H=4		*		5
28	40155958	THREAD_GUIDE_PLATE_ASM_2810		*		1
29	40155994	TEREAD_TENSION_POST_A		*		1
30	22945703	THREAD_TENSION_NUT		*		1
31	22963409	THREAD_TENSION_SPRING		*	☆	1
32	40155960	THREAD_GUIDE_PLATE		*		1
33	22945802	THREAD_TENSION_DISK		*		1
34	NS6110310SP	NUT_11/64-40		*		1
35	SS4110815SP	SCREW 11/64-40 L=8		*		2
36	NS6110310SP	HEXAGONAL NUT 11/64-40		*		2
37	SM4050855SP	SCREW				1
38	SM4051001SN	SCREW_M5				3
39	SS8661012TP	SCREW				1
40	22528509	FELT				1
41	RE0500000K0	E-RING				1

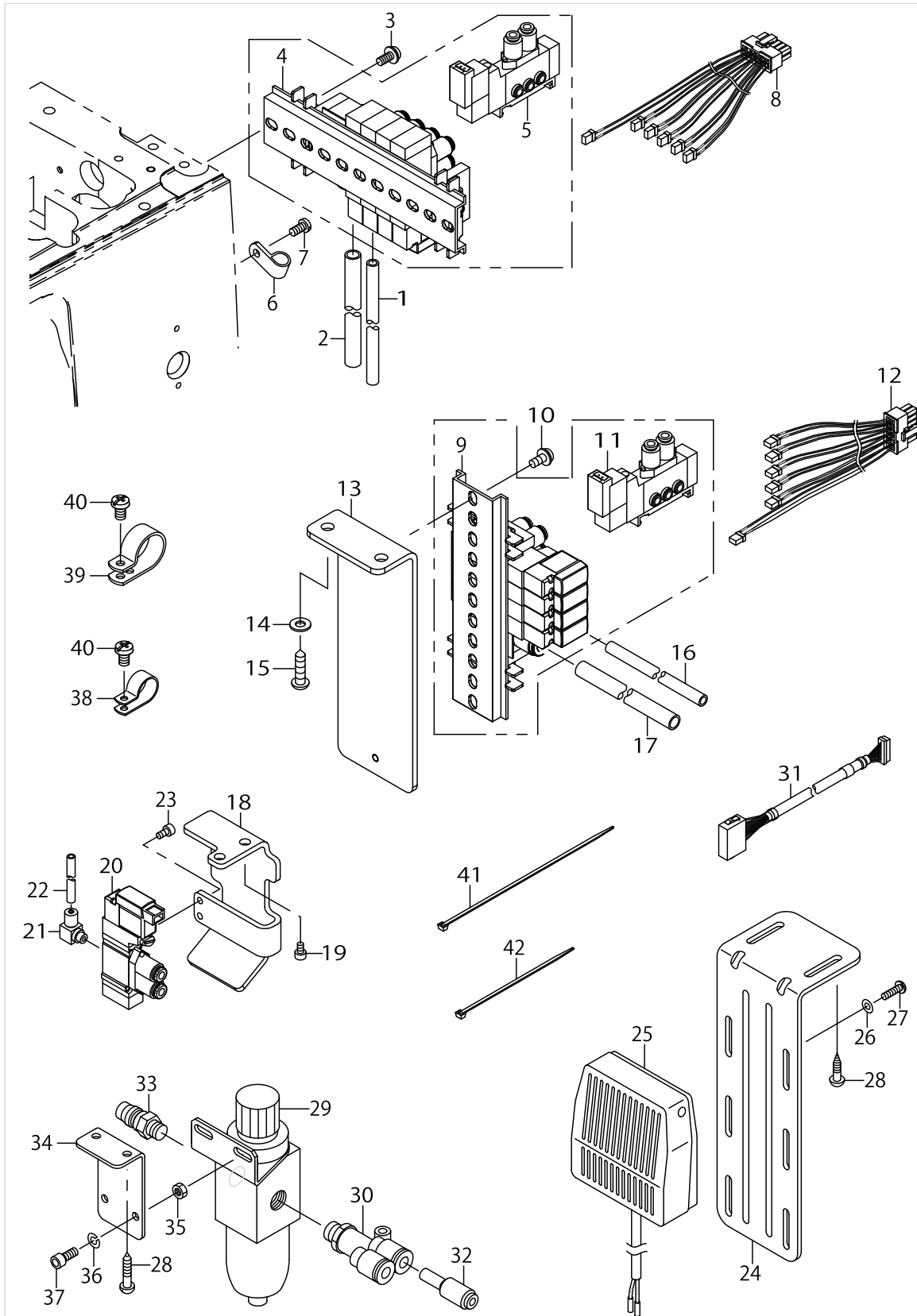
TENSION RELEASE COMPONENTS



TENSION RELEASE COMPONENTS

No.	Parts No.	Parts name	Remarks	Level	Cons	Qty
1	23542418	CLUTCH_LINK_PIN				2
2	40125948	RELEASE_SOLENOID_LINK				2
3	40126263	SOLENOID_LINK_MOUNTING_PLATE				1
4	40125949	RELEASE_SOLENOID_BASE				1
5	SS4090515SP	SCREW_9/64-40_L=5				2
6	32055501	AT_(UPPER)_SPRING				2
7	NM6030001SC	NUT_M3X0.5_TYPE1				4
8	SD0550271TP	HINGE_SCREW_D=5.5_H=2.7				2
9	SM6030602TP	SCREW_M3X0.5_L=6				8
10	WP0320501SE	WASHER_3.2X7X0.5				8
11	40112285	TENSION_RELEASE_SOLENOID				2
12	SM4051255SP	SCREW_M5_L=12				4
13	40126563	STOPPER_PLATE				2
14	40126562	RUBBER HOLDER				2
15	40086679	WIPER_STOPPER_RUBBER				4
16	EA9500B0100	CABLE_BAND				1
17	40142051	TENSION_RELEASE_SOLENOID	FOR LU-2828-6			2

PNEUMATIC COMPONENTS

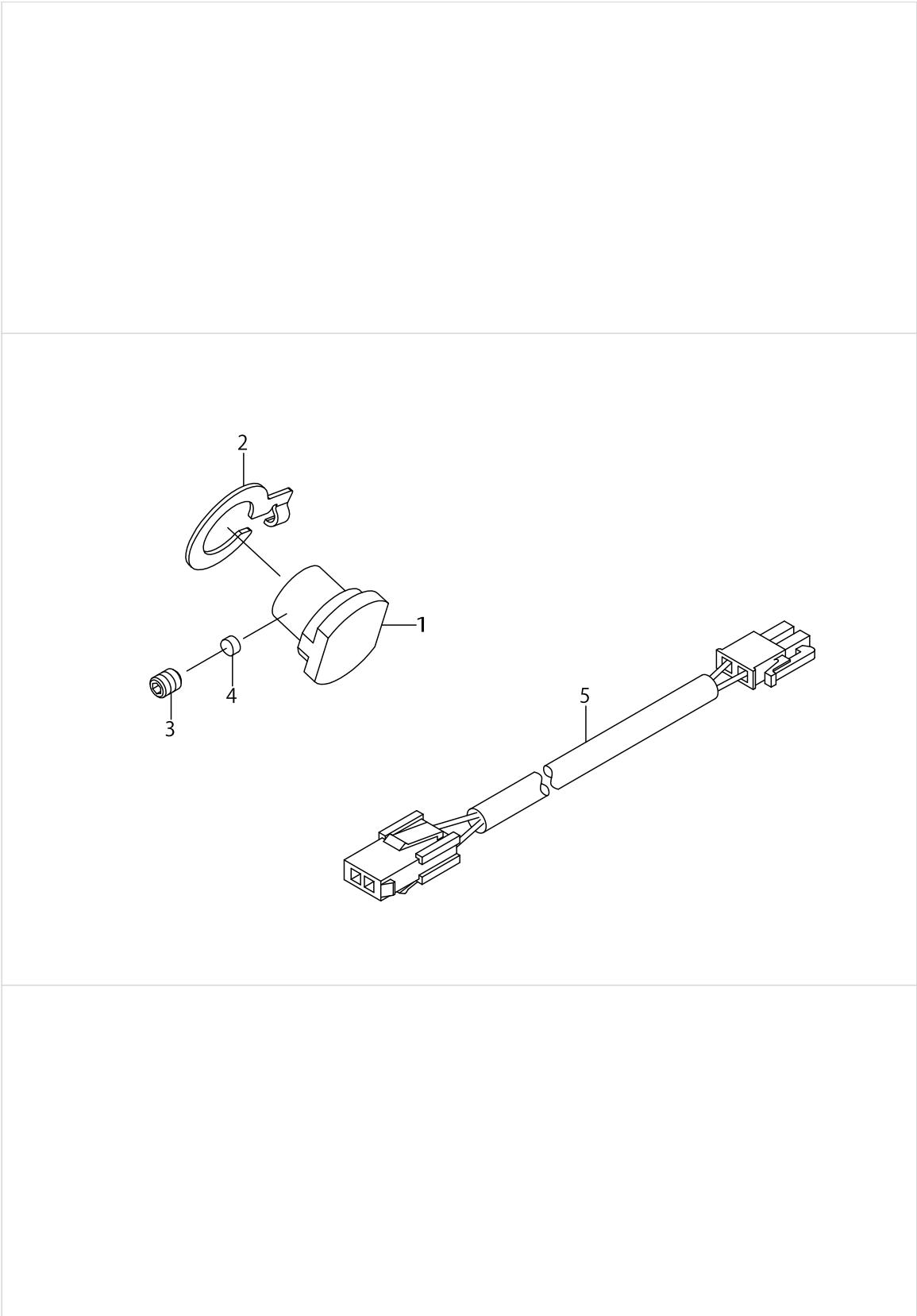


PNEUMATIC COMPONENTS

No.	Parts No.	Parts name	Remarks	Level	Cons	Qty
1	BT0600401EB	TUBE	FOR LU-2828-7			1.1
2	BT0800501EB	VINYL_TUBE	FOR LU-2828-7			1.1
3	SL4041091SC	SCREW_M4_L=10	FOR LU-2828-7			2
4	40126545	SOLENOID_VALVE_ASSY	FOR LU-2828-7			1
5	PV150209000	5_PORT_SOLENOID_VALVE	FOR LU-2828-7			1
6	HX00150000C	CABLE_CLIP	FOR LU-2828-7			1
7	SM4040855SP	SCREW	FOR LU-2828-7			1
8	40137611	SOLENOID_VALVE_CABLE_ASM	FOR LU-2828-7			1
9	40126545	SOLENOID_VALVE_ASSY	FOR LU-2828-6			1
10	SL4041091SC	SCREW_M4_L=10	FOR LU-2828-6			2
11	PV150209000	5_PORT_SOLENOID_VALVE	FOR LU-2828-6			1
12	40137611	SOLENOID_VALVE_CABLE_ASM	FOR LU-2828-6			1
13	40030950	SORENOID_VALVE_FITTING_BASE	FOR LU-2828-6			1
14	WP0501016SD	WASHER_5X10.5X1	FOR LU-2828-6			2
15	SK3512001SE	WOOD_SCREW_D=5.1_L=20	FOR LU-2828-6			2
16	BT0600401EB	TUBE	FOR LU-2828-6			1.1
17	BT0800501EB	VINYL_TUBE	FOR LU-2828-6			1.1
18	40147925	SOLENOID_VALVE_COVER				1
19	SM6050802TP	SCREW_M5X0.8_L=8				2
20	PV150206000	5-PORT_CUT-OVER_SOLENOID_VALVE				1
21	PJ046052503	HOSE_ELBOW				1
22	BT0400251EB	URETHANE_HOSE_BLACK				1.1
23	SM6030602TP	SCREW_M3X0.5_L=6				2
24	40126266	KNEE_SWITCH_BASE_PLATE				1
25	40105518	KNEE_SW_ASM				1
26	WP0430801SC	WASHER_M4				2
27	ST4041451SN	TAPPING_SCREW				2
28	SK3482001SE	WOOD_SCREW_D=4.8_L=20				4
29	PF055107000	FILTER_REGULATOR				1
30	PJ308065101	BRANCH				1
31	40126127	AIR_VALVE_RELAY_CABLE_ASM	FOR LU-2828-7			1
32	PJ301040001	REDUCER				1
33	PJ025100003	PLUG				1
34	13860408	REGULATOR_BRACKET				1
35	NM6050001SP	NUT_M5				2
36	WS0510002KN	SPRING_WASHER_M5				2
37	SM6051202TP	SCREW_M5X0.8_L=12				2
38	HX00150000H	CABLE_CLIP	FOR LU-2828-7			1
39	HX00150000M	CABLE_CLIP	FOR LU-2828-7			1
40	SM4040855SP	SCREW	FOR LU-2828-7			2
41	EA9500B0200	CABLE_BAND_150				3
42	EA9500B0100	CABLE_BAND				2



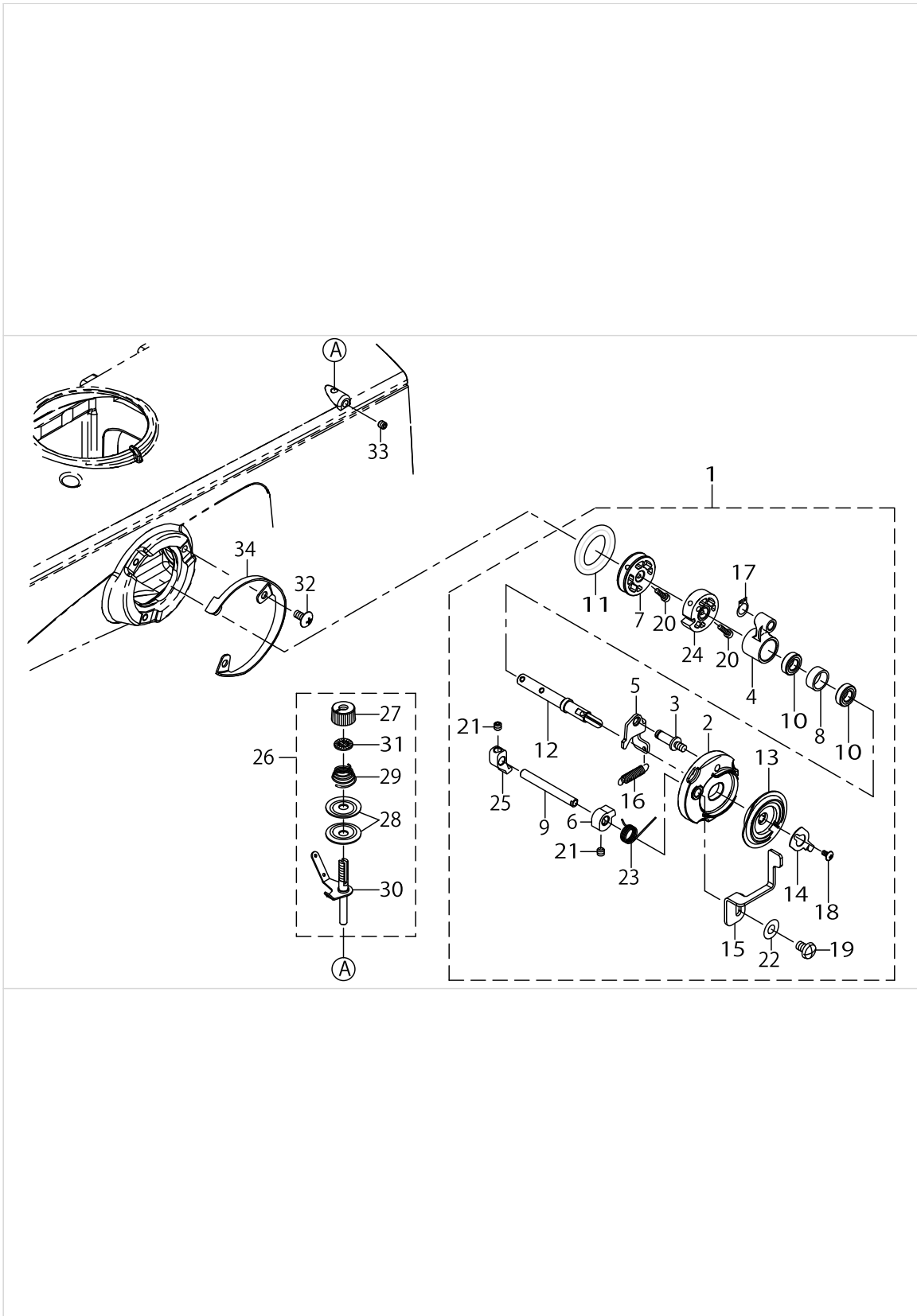
NEEDLE THREAD CLAMP COMPONENTS



NEEDLE THREAD CLAMP COMPONENTS

No.	Parts No.	Parts name	Remarks	Level	Cons	Qty
1	40131641	THREAD_CATCHER_ASM.				1
2	40137971	SOLENOID_CABLE HOLDER				1
3	SM8050612TP	SCREW_M5X6				1
4	40149044	SOLENOID_SPACER				1
5	40149304	TC_SOLENOID_RELAY_CABLE_ASM				1

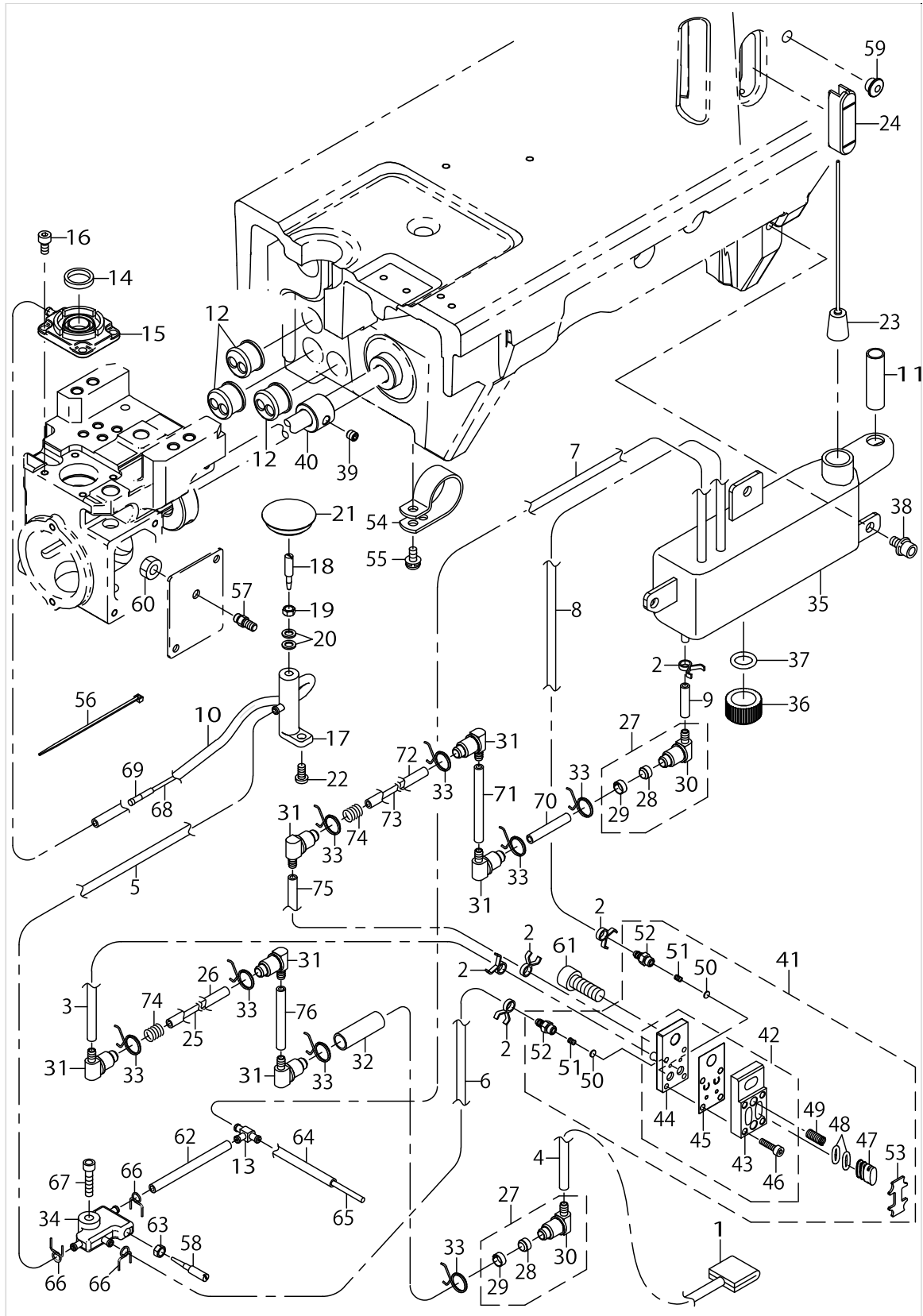
BOBBIN WINDER COMPONENTS



BOBBIN WINDER COMPONENTS

No.	Parts No.	Parts name	Remarks	Level	Cons	Qty
1	40126355	BOBBIN_WINDER_UNIT				1
2	26260109	BTW_BASE		*		1
3	26260307	BTW_BASE_SHAFT		*		1
4	26260406	BTW_SHAFT_BASE		*		1
5	40126594	BTW_CAM_PLATE		*		1
6	26260505	BTW_CAM_LEVER		*		1
7	40125851	WINDER_WHEEL		*		1
8	26260802	BTW_BEARING_SPACER		*		1
9	26261008	BTW_LEVER_SHAFT		*		1
10	40126354	WINDER_BEARING		*		1
11	26261503	BTW_WHEEL_RUBBER		*	☆	1
12	40126550	BOBBIN_SHAFT		*		1
13	40125927	BOBBIN_BASE		*		1
14	40126311	WINDER_CUTTER		*		1
15	40151791	BOBBIN_LEVER		*		1
16	13718507	SPRING		*		1
17	RC0560711KP	RETAINING_RING		*		1
18	SM0030601SC	SCREW_M3X0.5_L=6		*		1
19	SM5040655SN	SCREW		*		1
20	SM6031202TP	SCREW_M3X0.5_L=12		*		1
21	SM8050502TP	SCREW_M5_L=5		*		2
22	WP0450826SC	WASHER_4.5X10X0.8		*		1
23	40126549	HELICAL_TORSION_COIL_SPRING		*		1
24	40125928	WINDER_LATCH_CAM_		*		1
25	40125844	WINDER_LATCH_B		*		1
26	40088958	BOBBIN_THREAD_TENSION_ASM.				1
27	22921308	THREAD_TENSION_NUT		*		1
28	22921506	THREAD_TENSION_DISK		*		1
29	22921704	THREAD_TENSION_SPRING_A		*	☆	1
30	40088959	BOBBIN_THREAD_TENSION_ROD_ASM.		*		1
31	22921407	ROTATION_STOPPER		*		1
32	SM0051001SC	SCREW				3
33	SM8051002TP	SCREW_M5_L=10				1
34	40152022	BTW_GUARD				1

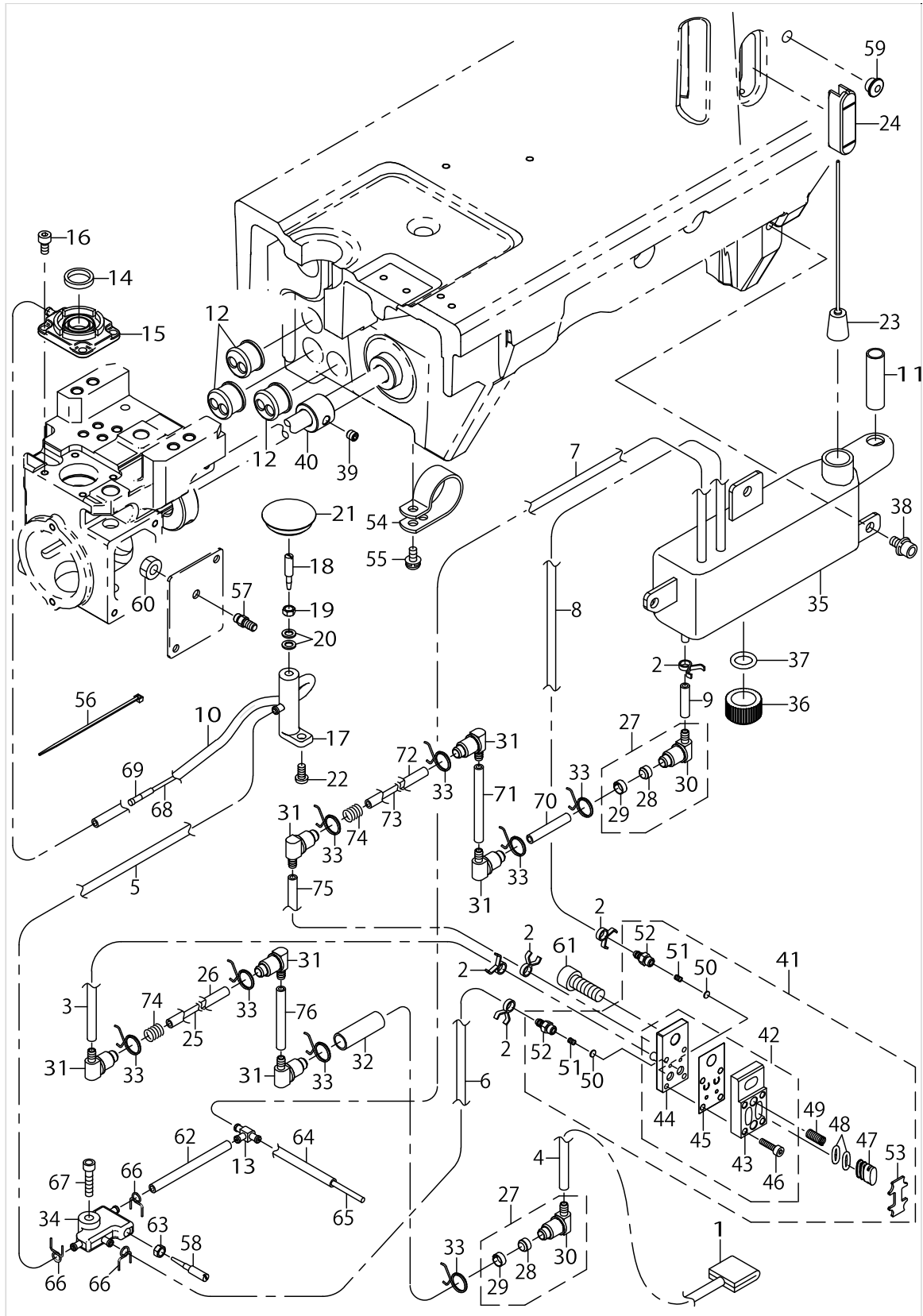
LUBRICATION COMPONENTS



LUBRICATION COMPONENTS

No.	Parts No.	Parts name	Remarks	Level	Cons	Qty
1	40112320	FELT				1
2	13142609	OIL_TUBE HOLDER				5
3	23630007	TUBE				0.1
4	23630007	TUBE				0.4
5	23630007	TUBE				0.12
6	23630007	TUBE				0.08
7	23630007	TUBE				0.31
8	23630007	TUBE				0.4
9	23630007	TUBE				0.02
10	23630007	TUBE				0.22
11	23630106	TUBE_B				0.32
12	22935308	MAGNET_CORD_RUBBER				3
13	13765607	OIL_CONNEC_ARM				1
14	40112318	OIL_SUPPLY_FELT				1
15	40112246	OIL_SUPPLY				1
16	SM6040802TP	SCREW_M4X0.7_L=8				4
17	40069741	OIL_REGULATING_VALVE				1
18	B1843563000	OIL_ADJUSTING_SCREW				1
19	NS6110310SP	NUT_11/64-40				1
20	WP0450846SP	WASHER				2
21	40028294	FEED_ADJUSTING_CAP				1
22	SM4040855SP	SCREW				1
23	23628357	FLOATER_ASM.				1
24	40036167	OIL_GAGE				1
25	CQ303000000	OIL_WICK				0.26
26	23630106	TUBE_B				0.09
27	23630650	OIL_FILTER_JOINT_ASM.				2
28	23630403	OIL_FILTER_STOPPER		*	☆	1
29	23630502	OIL_FILTER		*		1
30	23630601	OIL_FILTER_JOINT		*		1
31	23630601	OIL_FILTER_JOINT				6
32	23630106	TUBE_B				0.03
33	23629405	PIPE_STOPPER_B				8
34	40032804	BASE				1
35	40125929	OIL_TANK				1
36	40013595	OIL_EXIT_CAP				1
37	RO098240100	RUBBER_RING				1
38	SL6051092TN	BOLT				3
39	SM8050512TP	SCREW				1
40	40101721	ECCENTRIC_CAM				1
41	40101719	PUMP_BASE_ASSY				1
42	40102249	PUMP_BASE_ASM.		*		1
43	40101715	PUMP_BASE_TOP		*		1
44	40101716	PUMP_BASE_BOTTOM		*		1
45	40101717	GASKET_SHEET		*		1
46	SM6031202TP	SCREW_M3X0.5_L=12		*		4
47	40101713	OVAL_PLUNGER		*		2

LUBRICATION COMPONENTS

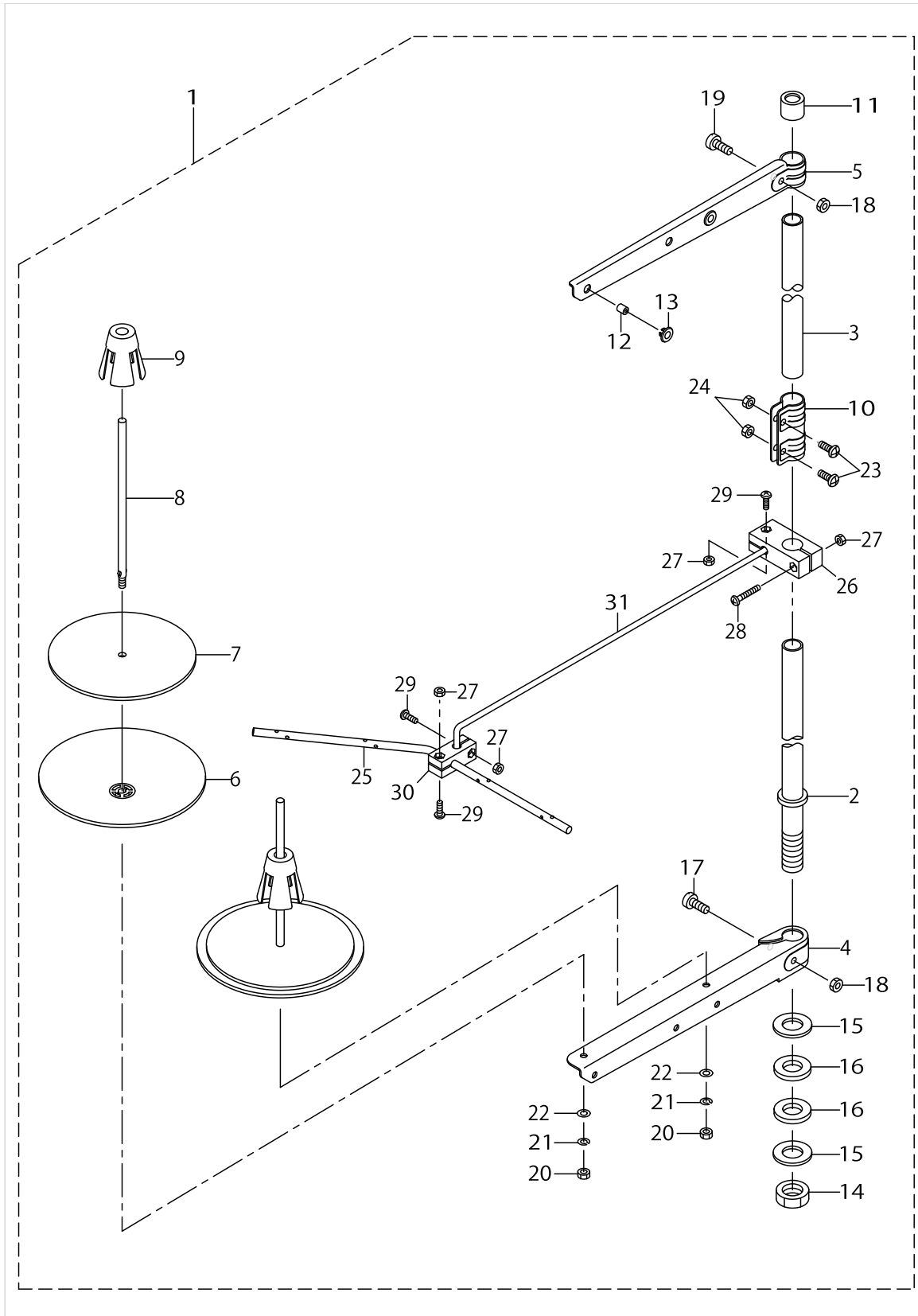


LUBRICATION COMPONENTS

No.	Parts No.	Parts name	Remarks	Level	Cons	Qty
48	40116455	OVAL_O_RING		*		4
49	40116456	SPRING		*		2
50	40116457	FREE_VALVE		*		2
51	40116458	SPRING		*		2
52	40116459	CONNECTING_SCREW		*		2
53	40101714	PLUNGER_HOLD_PLATE		*		1
54	HX00150000M	CABLE_CLIP				1
55	SL4041091SC	SCREW_M4_L=10				1
56	EA9500B0100	CABLE_BAND				3
57	SQ2050452MZ	CONNECTING_SCREW				1
58	B1843563000	OIL_ADJUSTING_SCREW				1
59	40126582	RUBBER_PLUG				1
60	NM6050003SC	NUT_M5X0.8				1
61	SM6061802TP	SCREW_M6_L=18				1
62	23630007	TUBE				0.06
63	NS6110310SP	NUT_11/64-40				1
64	23630007	TUBE				0.33
65	CQ202000000	COTTON_OIL_WICK_D=2				0.05
66	13142609	OIL_TUBE HOLDER				3
67	SM6041802TP	SCREW_M4_L=18				1
68	CQ202000000	OIL_WICK				0.18
69	11015906	OIL_WICK				2
70	23630007	TUBE				0.03
71	23630007	TUBE				0.05
72	23630106	TUBE_B				0.09
73	CQ303000000	OIL_WICK				0.26
74	12210803	SPRING				2
75	23630007	TUBE				0.1
76	23630007	TUBE				0.04



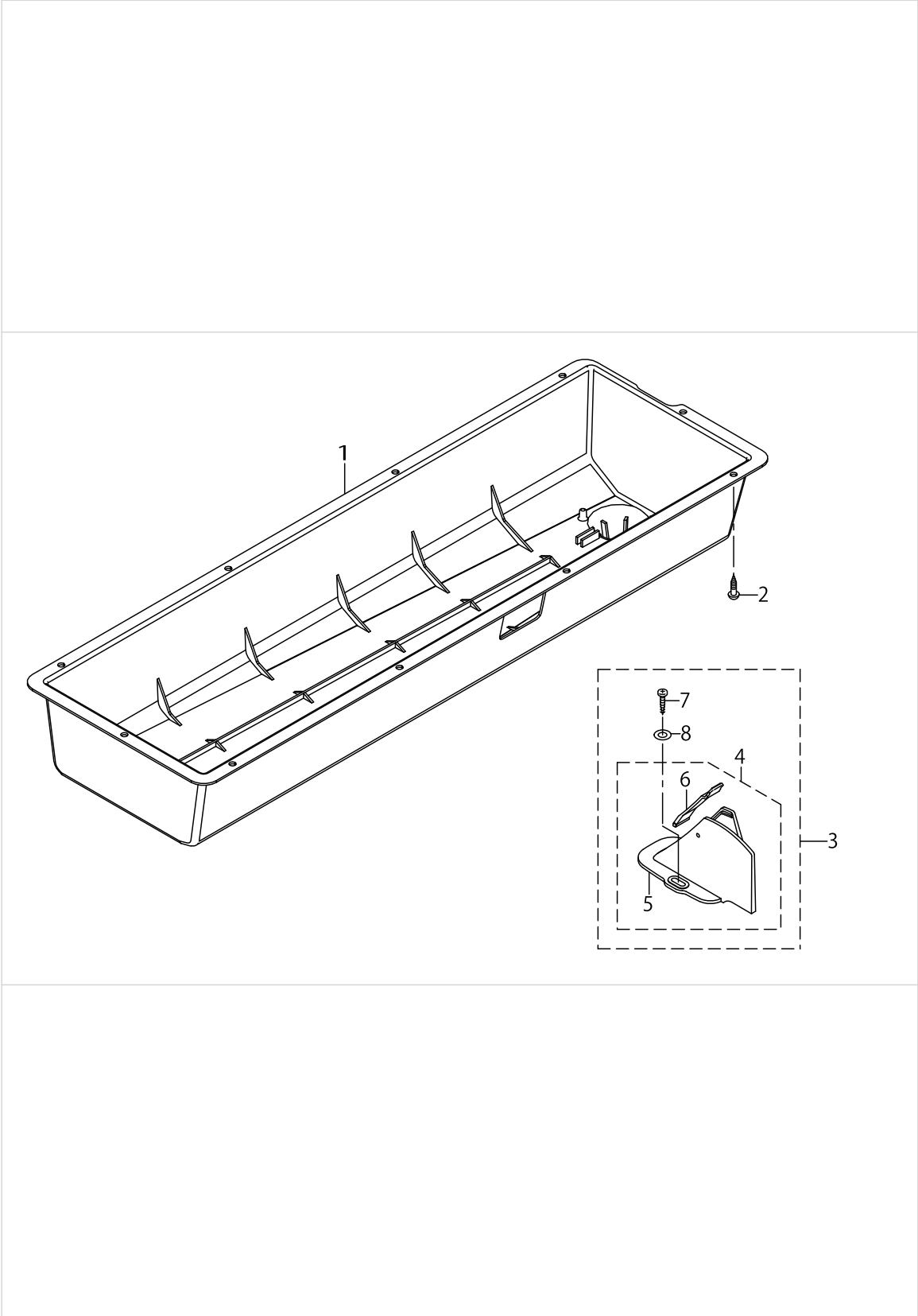
# THREAD STAND COMPONENTS



THREAD STAND COMPONENTS

No.	Parts No.	Parts name	Remarks	Level	Cons	Qty
1	40142213	THREAD_STAND_PACKING				1
2	40085784	SPOOL_REST_ROD_LOWER		*		1
3	40085785	SPOOL_REST_ROD_UPPER		*		1
4	40085786	SPOOL_REST_ARM_LOWER		*		1
5	40085787	SPOOL_REST_ARM_UPPER		*		1
6	40085788	SPOOL_REST		*		2
7	40085789	SPOOL_REST_CUSHION		*		2
8	40085790	SPOOL_PIN		*		2
9	40085791	SPOOL_RETAINER		*		2
10	40085792	SPOOL_REST_ROD_JOINT		*		1
11	40085793	SPOOL_REST_ROD_RUBBER_CAP		*		1
12	40085794	THREAD_GUIDE		*		2
13	40085795	THREAD_GUIDE_BUSHING		*		2
14	40096325	SPOOL_REST_ROD_NUT		*		1
15	WP1612616SE	WASHER_16X30X2.6		*		2
16	40085796	SPOOL_REST_ROD_RUBBER_CUSHION		*		2
17	40096326	SPOOL_REST_ARM_LOWER_SCREW		*		1
18	NM6050001SE	NUT_M5		*		2
19	40096327	SPOOL_REST_ARM_UPPER_SCREW		*		1
20	NM6050001SE	NUT_M5		*		2
21	WS0510002KN	SPRING_WASHER_M5		*		2
22	WP0531001SC	WASHER_M5		*		2
23	SM4051405SE	SCREW_M5_L=14		*		2
24	NM6050001SE	NUT_M5		*		2
25	40106582	THREAD_GUIDE_4		*		1
26	40106579	THREAD_GUIDE_ARM_BASE		*		1
27	NM6040002SC	NUT_M4		*		4
28	SM4042501SC	SCREW_M4X0.7_L=25		*		1
29	SM4041201SC	SCREW_M4_L=12		*		3
30	40106580	THREAD_GUIDE_UNDER_BASE		*		1
31	40106576	THREAD_GUIDE_ARM		*		1

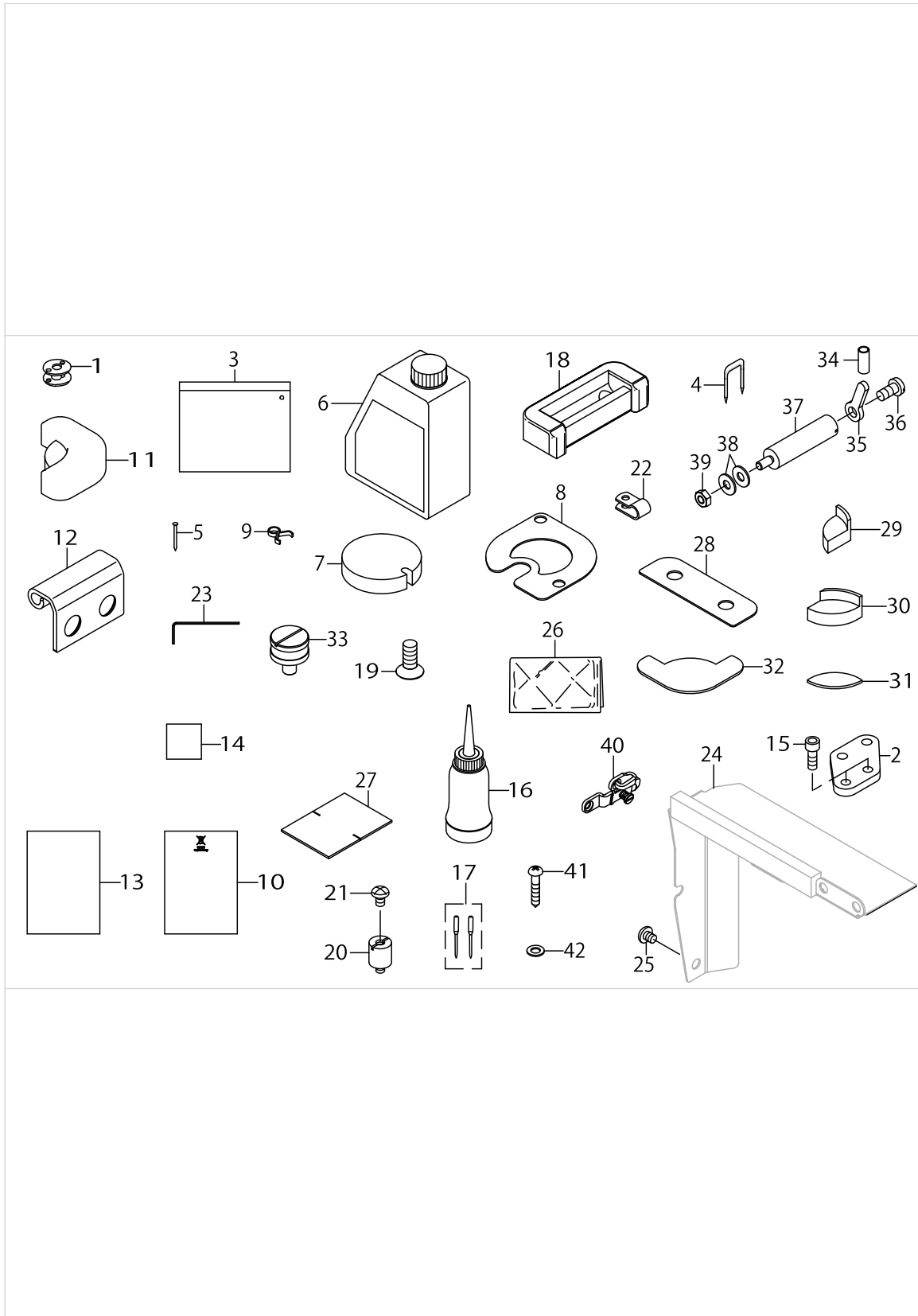
BOTTOM COVER & BELT COVER COMPONENTS



BOTTOM COVER & BELT COVER COMPONENTS

No.	Parts No.	Parts name	Remarks	Level	Cons	Qty
1	40126155	OIL_PAN				1
2	SK3482001SE	WOOD_SCREW_D=4.8_L=20				10
3	40126560	ASSY_BELT_COVER_B2	FOR LU-2828-6			1
4	40112296	BELT_COVER_B_COMPL.	FOR LU-2828-6	*		1
5	40112314	BELT_COVER_B	FOR LU-2828-6	*		1
6	40112313	BELT_COVER_B_LID_ASM.	FOR LU-2828-6	*		1
7	SK3412000SC	WOOD_SCREW_D=4.1_L=20	FOR LU-2828-6	*		2
8	WP0501016SD	WASHER_5X10.5X1	FOR LU-2828-6	*		2

ACCESSORIES PARTS COMPONENTS



ACCESSORIES PARTS COMPONENTS

No.	Parts No.	Parts name	Remarks	Level	Cons	Qty
1	40147913	BOBBIN_XXL			☆	1
2	40112214	EDGE_GUIDE_FITTING_PLATE				1
3	21413158	ACCESSORY_BAG_ASM.				1
4	MAO11532000	CORD_STAPLE				3
5	10539906	SET_NAIL				8
6	40102087	JUKI_MACHINE_OIL_7				1
7	40126405	OIL_FILTER				1
8	40126267	FELT HOLDER				1
9	23629306	PIPE_STOPPER_A				2
10	CM600100201	WEEE_INFORMATION_SHEET	FOR JE			1
11	40151800	CUSHION_RUBBER				2
12	40125869	HINGE				2
13	40142430	DECLARATION_OF_INCORPORATION	FOR JE			1
14	40193158	LU2800_SAFETY_NOTES				1
15	SM6051402TP	SCREW_M5X0.8_L=14				2
16	B91210120A0	OILER_ASM.				1
17	MC321001402	NEEDLE_134-35_#140-2			☆	1
18	40164521	HINGE_RUBBER				2
19	B1516210D00	SCREW				4
20	40126222	CP_SPACER				2
21	SM4050855SP	SCREW				2
22	HX00150000B	CABLE_CLIP				2
23	40079298	WRENCH				1
24	40149045	OIL_SHIELD_PLATE_ASSY				1
25	SM4050655SP	SCREW_M5_L=6				4
26	40048536	HEAD_COVER				1
27	40133730	OIL_FILTER				1
28	40163914	HINGE_SPACER				2
29	40151803	RUBBER_CUSHION_LEFT				1
30	40151804	RUBBER_CUSHION_RIGHT				1
31	40151805	RUBBER_CUSHION_SHEET				4
32	10740900	RUBBER				8
33	22622401	SYNCRO_FRNGE	FOR LU-2828-6			1
34	BT0630520Z0	HOLDER_COVER	FOR LU-2828-6			0.015
35	40142036	SYNCHRONIZER_HOLD_PLATE	FOR LU-2828-6			1
36	SM4061255SP	SCREW_M6_L=12	FOR LU-2828-6			1
37	40142037	SYNCHRONIZER_HOLD_STUD	FOR LU-2828-6			1
38	WP0551016SH	WASHER_5.5X13X1	FOR LU-2828-6			2
39	NM6050001SP	NUT_M5	FOR LU-2828-6			1
40	40034675	THREAD_GUIDE_ASM_E				1
41	SK3452501SE	SCREW D=4.5 L=25				4
42	WP0550800SP	WASHER 5.5X10X0.8				4



## HOW TO MAKE USE OF THIS PARTS LIST

### 1.Explanation of codes

1)"\*"mark.....means this part is changed from the previous parts book.

As to the details of the change, refer to the "List for information of change".

2)"#01".....refer to "Note" explanation at bottom of page.

### 2.Codes on the "Qty" column

- Each numeral indicates the number of parts required.
- "0.1" and "2.5" indicate the length (in meters) of the respective parts.

3.Parentheses mean that the corresponding part is a subpart that constructs an assembly part.

4.Dotted lines on the Figures indicate assembly parts.

5.As to the parts with marks of "☆"(consumable parts) and "◎"(optional parts)on the respective parts, it is recommended to prepare spares.

### 1 ."注記"欄の記号説明

1) "\*"印.....前回のパーツブックに比較して今回変更された部品を意味します。

変更内容は、"変更情報リスト"を参照してください。

2) "#01".....ページ下の"注記"の説明を参照してください。

2.数量欄の数字は、個数を表し、0.1、2.5等の数値は、長さ（単位メートル）を表します。

3.数量欄の（ ）は、組部品を構成している子部品であることを意味します。

4.イラストページの-----枠は、組構成であることを意味します。

5.リストページの"☆"（消耗部品）、"◎"（オプション部品）の印がついた部品は、予備を準備しておくことをお奨めします。



# NUMERICAL INDEX OF PARTS

PART NO	PAGE	REF NO.	PART NO	PAGE	REF NO.	PART NO	PAGE	REF NO.
10320109	50	25	22606404	10	15~22	23630106	62	72
10539906	68	5	22607600	10	15~22	23630403	60	28
10546901	6	35	22607709	10	15~22	23630502	60	29
10697506	50	14	22607808	10	15~22	23630601	60	31
10710804	20	2	22607907	10	15~22	23630650	60	27
10711653	22	73	22617807	50	16	23631708	36	22
10712552	22	63	22618201	50	7	23631708	38	20
10721504	6	39	22618706	50	24	23631807	36	23
10740900	68	32	22622401	68	33	23631807	38	21
11015906	62	69	22901805	2	6	23631906	36	24
12210803	62	74	22902506	2	16	23631906	38	22
12288908	28	70	22904106	26	35	23632102	36	20
12938304	50	17	22904155	20	44	23632102	38	23
13142609	60	66	22904155	26	34	23638406	42	2
13142609	62	66	22911804	30	41	23638406	44	2
13409107	24	10	22912000	30	8	26017400	28	71
13424502	32	70	22912109	30	43	26018705	28	62
13441001	38	11	22912257	50	1	26229302	30	28
13718507	58	16	22913008	22	64	26231902	46	33
13737804	46	17	22913008	26	5	26260109	58	2
13765607	60	13	22921308	58	27	26260307	58	3
13817408	50	18	22921407	58	31	26260406	58	4
13860408	54	34	22921506	50	22	26260505	58	6
13951009	24	24	22921506	58	28	26260802	58	8
18035006	32	67·68	22921704	58	29	26261008	58	9
18035105	32	67·68	22935308	60	12	26261503	58	11
18035303	24	13	22945703	50	30	32055501	52	6
18035501	34	6	22945802	50	33	40006716	24	2
18035709	36	16	22949101	24	17	40006716	38	12
18035709	38	8	22951552	2	26·41	40010437	6	22
18035808	28	85	22954309	50	2	40010438	6	23
18035907	28	86	22956205	46	2	40010439	6	24
18036004	32	80·81	22957104	46	3	40010440	6	25
18036103	32	80·81	22957203	46	4	40010533	6	19
18053900	30	9	22963409	50	31	40010534	6	20
21333901	12	47	23542418	52	1	40010535	6	21
21387600	12	33	23605207	6	47	40010709	10	1
21387709	12	34	23613409	32	86	40011902	6	31
21387808	12	35	23628357	60	23	40012499	46	28
21387907	12	36	23629306	68	9	40013595	60	36
21413158	68	3	23629405	60	33	40021606	46	43
21470505	46	18	23630007	30	17	40023627	22	92
22528509	50	40	23630007	60	76	40028294	60	21
22606206	10	15~22	23630007	62	76	40030950	54	13
22606305	10	15~22	23630106	60	72	40032804	60	34

## NUMERICAL INDEX OF PARTS

PART NO	PAGE	REF NO.	PART NO	PAGE	REF NO.	PART NO	PAGE	REF NO.
40034675	68	40	40101721	60	40	40112253	12	2
40036167	60	24	40102087	68	6	40112267	32	55
40038494	20	29	40102249	60	42	40112270	10	12
40038494	26	33	40102261	2	4	40112272	10	13
40048536	68	26	40105508	40	1·6	40112273	10	9
40069741	60	17	40105509	40	4·9	40112274	6	10
40075542	18	14	40105510	40	2·7	40112281	30	13
40075547	18	18	40105518	54	25	40112282	30	14
40075548	18	19	40106576	64	31	40112285	52	11·17
40079298	68	23	40106579	64	26	40112288	36	19
40079898	18	6	40106580	64	30	40112296	66	4
40079899	18	7	40106582	64	25	40112312	6	3
40079900	18	8	40112087	6	1	40112313	66	6
40079902	18	10	40112091	6	27	40112314	66	5
40079903	18	11	40112092	6	28	40112318	60	14
40079909	18	15	40112093	6	29	40112320	60	1
40079912	18	20	40112094	6	30	40113224	12	42
40084142	2	30	40112106	6	5	40116455	62	48
40085784	64	2	40112118	26	18	40116456	62	49
40085785	64	3	40112127	30	11	40116457	62	50
40085786	64	4	40112128	30	12	40116458	62	51
40085787	64	5	40112140	36	5	40116459	62	52
40085788	64	6	40112152	10	7	40122887	30	42
40085789	64	7	40112176	20	3	40123247	12	27
40085790	64	8	40112184	24	3	40123252	26	29
40085791	64	9	40112187	24	14	40123262	20	22
40085792	64	10	40112188	24	15	40123319	20	21
40085793	64	11	40112191	34	7	40123320	20	23
40085794	64	12	40112192	34	11	40123321	20	24
40085795	64	13	40112197	20	39	40123340	12	6
40085796	64	16	40112199	20	40	40123345	22	62
40086679	52	15	40112204	50	9	40123345	28	67
40088958	58	26	40112213	36	21	40123346	28	68
40088959	58	30	40112213	38	26	40123414	20	33
40090058	20	13	40112214	68	2	40123416	20	32
40094561	2	44	40112215	40	3·8	40123547	26	16
40096325	64	14	40112216	40	5·10	40123555	20	34
40096326	64	17	40112218	50	10	40123626	26	14
40096327	64	19	40112219	50	11	40123627	26	24
40101713	60	47	40112228	36	9	40123629	26	17
40101714	62	53	40112228	38	3	40123634	20	15
40101715	60	43	40112240	12	30	40123634	26	19
40101716	60	44	40112242	12	21	40123639	26	26
40101717	60	45	40112246	60	15	40123666	26	1
40101719	60	41	40112252	16	15	40123668	26	23

# NUMERICAL INDEX OF PARTS

PART NO	PAGE	REF NO.	PART NO	PAGE	REF NO.	PART NO	PAGE	REF NO.
40125843	26	13	40126259	42	4	40126724	50	13
40125844	58	25	40126259	44	4	40127041	10	8
40125850	20	42	40126260	42	1	40127056	2	11
40125851	58	7	40126263	52	3	40130277	6	4
40125852	20	6	40126264	20	31	40130593	46	15
40125854	20	7	40126265	50	3	40130702	6	2
40125856	26	22	40126266	54	24	40130704	2	15
40125857	26	25	40126267	68	8	40130706	2	21
40125861	20	12	40126269	20	30	40131591	30	21
40125862	12	37	40126311	58	14	40131592	32	82
40125864	30	22	40126321	6	9	40131592	38	17
40125867	20	16	40126338	20	27	40131593	36	3
40125868	22	86	40126339	26	28	40131594	30	24
40125869	68	12	40126351	16	1	40131595	32	84
40125872	36	4	40126354	58	10	40131596	30	44
40125873	50	4	40126355	58	1	40131597	28	75
40125876	22	61	40126357	26	12	40131599	30	6
40125920	30	39	40126359	28	66	40131600	32	58
40125926	22	88	40126360	16	7	40131601	30	5
40125927	58	13	40126364	24	6	40131602	26	27
40125928	58	24	40126365	12	23	40131603	36	2
40125929	60	35	40126366	12	38	40131605	32	83
40125930	6	32	40126367	24	1	40131607	28	79
40125935	28	65	40126372	12	20	40131608	36	6
40125937	20	8	40126374	22	87	40131609	30	30
40125943	20	14	40126375	26	21	40131610	30	38
40125948	52	2	40126381	12	4	40131616	46	41
40125949	52	4	40126382	12	18	40131617	46	29
40125950	6	6	40126390	20	26	40131619	28	73
40126116	30	20	40126391	16	6	40131620	26	6
40126127	54	31	40126400	20	41	40131621	26	4
40126129	36	26	40126401	26	10	40131625	2	42
40126130	46	35	40126402	10	5	40131629	12	1
40126131	42	5	40126404	50	12	40131631	26	30
40126150	24	4	40126405	68	7	40131633	46	10
40126151	26	15	40126545	54	9	40131635	46	11
40126155	66	1	40126549	58	23	40131636	46	6
40126157	22	59	40126550	58	12	40131637	46	14
40126158	22	60	40126560	66	3	40131638	46	8
40126159	22	58	40126562	52	14	40131640	46	7
40126160	20	25	40126563	52	13	40131641	56	1
40126166	20	9	40126582	62	59	40133730	68	27
40126221	2	32	40126594	58	5	40134532	6	34
40126222	68	20	40126642	30	46	40134545	6	33
40126223	20	28	40126643	30	47	40134805	2	13

# NUMERICAL INDEX OF PARTS

PART NO	PAGE	REF NO.	PART NO	PAGE	REF NO.	PART NO	PAGE	REF NO.
40134834	2	28	40142200	30	2	40147936	48	58~62
40134967	48	49	40142201	30	3	40147937	48	52
40134982	26	7	40142202	24	21	40147938	48	54
40134993	32	49	40142208	36	10	40147939	2	38
40134994	32	51	40142213	64	1	40147944	2	12
40135472	16	9	40142336	2	5	40148037	18	16
40135473	16	4	40142430	68	13	40149030	18	2
40135475	16	8	40143082	12	11	40149032	18	4
40135498	46	12	40143083	6	11	40149033	18	5
40135816	28	80	40143084	12	9	40149034	18	9
40135860	30	37	40143085	28	51	40149035	18	12
40135897	46	26	40143086	12	22	40149036	18	13
40135955	48	50	40143087	28	50	40149037	18	17
40137611	54	12	40143088	6	16	40149039	30	15
40137921	46	20·30	40143185	14	49~62	40149040	2	24
40137971	56	2	40143188	14	49~62	40149041	4	48
40137997	26	11	40143220	10	6	40149042	2	1
40138020	28	81	40143221	10	28	40149043	46	27
40138418	14	49~62	40143581	14	49~62	40149044	56	4
40138419	14	49~62	40143624	24	22	40149045	68	24
40138420	14	49~62	40143624	30	69	40149047	18	3
40138421	14	49~62	40143624	32	69	40149115	22	74~77
40138422	14	49~62	40143626	26	2	40149116	22	74~77
40138423	14	49~62	40144283	24	5	40149117	22	74~77
40139043	12	19	40144287	20	4	40149118	22	74~77
40139477	6	41	40144289	20	1	40149120	22	78~81
40139478	6	42	40145548	20	35~37	40149121	22	78~81
40139479	6	44	40145549	20	35~37	40149122	22	78~81
40139480	6	43	40145550	20	35~37	40149123	22	78~81
40139485	38	14	40147912	18	1	40149125	22	82~85
40139486	38	15	40147913	18	21	40149126	22	82~85
40142036	68	35	40147913	68	1	40149127	22	82~85
40142037	68	37	40147915	16	3	40149128	22	82~85
40142040	38	9	40147918	2	10	40149304	56	5
40142041	38	1	40147919	4	52	40150059	30	1
40142048	38	19	40147925	54	18	40150131	2	46
40142049	38	27	40147926	46	46	40151488	6	8
40142050	46	20·30	40147927	46	39	40151791	58	15
40142051	52	11·17	40147928	46	42	40151799	4	51
40142052	2	26·41	40147929	46	45	40151800	68	11
40142053	44	5	40147930	46	5	40151803	68	29
40142054	40	4·9	40147932	48	58~62	40151804	68	30
40142057	4	57	40147933	48	58~62	40151805	68	31
40142064	40	1·6	40147934	48	58~62	40152022	58	34
40142065	44	1	40147935	48	58~62	40152295	12	3

# NUMERICAL INDEX OF PARTS

PART NO	PAGE	REF NO.	PART NO	PAGE	REF NO.	PART NO	PAGE	REF NO.
40152451	10	2	BT0400251EB	34	2·13	HX00150000B	68	22
40153570	32	90~92	BT0400251EB	36	13	HX00150000C	54	6
40153571	32	90~92	BT0400251EB	38	7	HX00150000H	4	60
40153572	32	90~92	BT0400251EB	54	22	HX00150000H	54	38
40154199	22	91	BT0600401EB	54	16	HX00150000M	54	39
40154832	28	88	BT0630520Z0	68	34	HX00150000M	62	54
40154833	28	89	BT0800501EB	54	17	MAO11532000	68	4
40155956	50	5	CM300200001	2	14	MC321001400	10	14
40155958	50	28	CM600100101	2	45	MC321001402	68	17
40155960	50	32	CM600100201	68	10	NM6030001SC	52	7
40155994	50	29	CQ202000000	20	72	NM6040002SC	64	27
40161459	50	6	CQ202000000	22	72	NM6050001SD	28	78
40163914	68	28	CQ202000000	26	48	NM6050001SD	30	29
40164521	68	18	CQ202000000	28	48	NM6050001SE	36	18
40171574	20	17	CQ202000000	62	68	NM6050001SE	64	24
40176628	20	5	CQ252000000	10	26	NM6050001SP	54	35
40177648	36	8	CQ252000000	20	68	NM6050001SP	68	39
40193158	68	14	CQ252000000	22	68	NM6050003SC	62	60
B111105100B	4	54	CQ303000000	60	73	NM6060001SD	20	19
B1111563000	2	35	CQ303000000	62	73	NM6060001SD	30	18
B125578100A	26	32	CS100081CSP	32	72	NS6110310SP	46	21
B1308055000	12	39	CS1201171TP	32	71	NS6110310SP	50	36
B1310055000	12	40	CS1701181TP	10	3	NS6110310SP	60	63
B1314055000	12	41	D1231555B00	20	43	NS6110310SP	62	63
B1438512B00	10	15~22	D1231555B00	26	31	NS6680410SP	28	63
B1504210000	34	1	D2112555B00	2	56	PA200150900	30	66
B1516210D00	68	19	D2112555B00	4	56	PA200150900	32	66
B1639051000	12	31	D2629M1YC0F	30	27	PA200200500	28	77
B1843563000	60	58	E2613700000	20	20	PA2004004A0	38	5
B1843563000	62	58	E8760452D00	42	6	PA250250900	34	12
B185351200E	46	1	EA9500B0100	4	62	PA400150200	24	16
B2528845000	4	59	EA9500B0100	30	45	PF055107000	54	29
B255728000A	14	49~62	EA9500B0100	36	27	PJ025100003	54	33
B255728000B	14	49~62	EA9500B0100	38	31	PJ032052503	28	87
B255728000C	14	49~62	EA9500B0100	52	16	PJ046052503	32	74
B255728000D	14	49~62	EA9500B0100	54	42	PJ046052503	36	14
B255728000E	14	49~62	EA9500B0100	62	56	PJ046052503	38	6
B3031141H00	34	3	EA9500B0200	54	41	PJ046052503	54	21
B3112704000	50	8	HA004680000	42	7	PJ301040001	54	32
B31375270A0	50	15	HK063610220	42	10	PJ304040504	34	5
B3538112000	12	5	HK075230000	42	9	PJ308065101	54	30
B91210120A0	68	16	HW000840040	42	8	PS0350102KR	30	50
BT0400251EB	24	12·23	HX00055000E	4	50	PS0350102KR	32	50
BT0400251EB	28	84	HX00065000A	38	32	PV150206000	54	20
BT0400251EB	32	78·79	HX00150000B	38	29	PV150209000	54	11

# NUMERICAL INDEX OF PARTS

PART NO	PAGE	REF NO.	PART NO	PAGE	REF NO.	PART NO	PAGE	REF NO.
RC0150001KP	20	45	SL4041091SC	62	55	SM6031202TP	58	20
RC0150001KP	26	37	SL4041491SC	40	11	SM6031202TP	60	46
RC0560711KP	16	2	SL4051091SC	36	1	SM6040502TP	12	12
RC0560711KP	58	17	SL4051091SC	38	4	SM6040600SP	4	49
RC0650811KP	28	49	SL6051092TN	60	38	SM6040602TP	12	13
RC0740816K0	12	8	SL6052592TN	6	17	SM6040650TP	10	10
RC2351018KP	12	7	SM0030601SC	58	18	SM6040650TP	12	14
RE0300000K0	48	53	SM0050801SC	22	53	SM6040650TP	22	51
RE0320000K0	34	4	SM0051001SC	58	32	SM6040650TP	28	69
RE0400000K0	24	25	SM1030601SN	46	47	SM6040802TP	16	11
RE0500000K0	12	32	SM1040750TP	2	43	SM6040802TP	46	25
RE0500000K0	22	49	SM1051052TN	2	37	SM6040802TP	60	16
RE0500000K0	50	41	SM1061201SN	12	44	SM6041002TP	46	19
RE1200000K0	26	38	SM4021601SN	42	3	SM6041202TP	48	57
RO037180100	50	26	SM4021601SN	44	3	SM6041802TP	62	67
RO092270200	30	56	SM4030601SN	20	10	SM6050800SP	28	72
RO092270200	32	56	SM4040655SP	2	36	SM6050802TP	24	9
RO098240100	60	37	SM4040655SP	46	34	SM6050802TP	32	59
SB108002400	6	40	SM4040855SP	2	29·55	SM6050802TP	36	11
SB120001800	6	13	SM4040855SP	4	29·55	SM6050802TP	54	19
SB120001800	12	28	SM4040855SP	38	30	SM6051000SP	22	52
SB125000600	22	50	SM4040855SP	54	40	SM6051202TP	30	87
SB30800140A	46	32	SM4040855SP	60	22	SM6051202TP	32	87
SD0450401SP	50	27	SM4041201SC	64	29	SM6051202TP	38	18
SD0500726TP	46	16	SM4041255SP	4	61	SM6051202TP	54	37
SD0550271TP	52	8	SM4042501SC	64	28	SM6051400SP	30	33
SD0640322TP	12	43	SM4050501SC	10	23	SM6051402TP	68	15
SD0650321TP	46	22	SM4050655SP	68	25	SM6051602TP	28	76
SD0800329TP	46	24	SM4050855SP	2	58	SM6051602TP	32	62
SD0800346TP	32	57	SM4050855SP	4	58	SM6051802TP	24	8
SD0800406TP	32	89	SM4050855SP	30	32	SM6052502TN	38	10
SD0800406TP	36	17	SM4050855SP	36	7	SM6054002TN	28	82
SD0800426TP	32	63	SM4050855SP	38	28	SM6054502TN	6	45
SD0802126TP	20	18	SM4050855SP	50	37	SM6054502TN	24	20
SD0900426TP	32	48	SM4050855SP	68	21	SM6054502TP	30	19
SD1021251SP	26	20	SM4051001SN	50	38	SM6054502TP	34	10
SK3412000SC	66	7	SM4051055SP	2	29·55	SM6056552TP	36	15
SK3452501SE	68	41	SM4051255SP	52	12	SM6061002TP	34	8
SK3482001SE	54	28	SM4051405SE	64	23	SM6061002TP	36	12
SK3482001SE	66	2	SM4055501SC	2	23	SM6061002TP	38	2
SK3512001SE	54	15	SM4061255SP	68	36	SM6061010TP	32	60
SL4040691SC	42	11	SM5040655SN	58	19	SM6061202TP	22	54
SL4040691SC	44	6	SM6030602TP	46	23	SM6061202TP	46	38
SL4040881SC	30	31	SM6030602TP	52	9	SM6061402TP	28	61
SL4041091SC	54	10	SM6030602TP	54	23	SM6061402TP	30	26

# NUMERICAL INDEX OF PARTS

PART NO	PAGE	REF NO.	PART NO	PAGE	REF NO.	PART NO	PAGE	REF NO.
SM6061602TP	24	19	SM80608A2TP	6	48	WP0501016SD	66	8
SM6061602TP	28	52	SM80608A2TP	8	48	WP0531001SC	6	46
SM6061602TP	32	61	SM8061002TP	46	9	WP0531001SC	64	22
SM6061602TP	34	9	SM8080812TP	6	38	WP0550800SP	68	42
SM6061802TP	12	15	SQ2050452MZ	62	57	WP0551016SH	68	38
SM6061802TP	28	74	SS1090520TP	48	56	WP0612066SP	16	10
SM6061802TP	62	61	SS2060310SP	10	29	WP0651001SC	22	90
SM6062002TP	22	55	SS3090710TP	50	19	WP0740516SP	16	5
SM6062502TP	28	90	SS4090515SP	52	5	WP0740516SP	26	64
SM6081552TP	24	18	SS4110615SP	50	20	WP0740516SP	28	64
SM6850400SP	48	51	SS4110815SP	50	35	WP0820516SP	6	36
SM8030312TP	48	48	SS6090580TP	46	55	WP1612616SE	64	15
SM8040412TP	4	53	SS6090580TP	48	55	WS0510002KN	54	36
SM8040412TP	28	54	SS6111052TP	28	60	WS0510002KN	64	21
SM8040612TP	16	12	SS6121860SP	30	65	WT1780011KP	30	25
SM8050412TP	12	16	SS6121860SP	32	65	WZ1052010KP	24	11
SM8050412TP	30	88	SS7090910TP	10	11			
SM8050412TP	32	88	SS7110740TP	36	25			
SM8050502TP	58	21	SS7110740TP	38	25			
SM8050512TP	60	39	SS8080410TP	10	27			
SM8050612TP	16	14	SS8110422TP	26	39			
SM8050612TP	20	11	SS8110422TP	46	44			
SM8050612TP	28	57	SS8110520TP	32	73			
SM8050612TP	38	16	SS8111010TP	12	45			
SM8050612TP	56	3	SS8151550SP	8	49			
SM80506A2TP	12	17	SS8660610TP	26	36			
SM80506A2TP	46	37	SS8660612TP	12	48			
SM8050812TP	6	7	SS8660612TP	14	48			
SM8050812TP	28	56	SS8661012TP	50	39			
SM8050842TP	28	55	ST4041451SN	54	27			
SM8051002TP	58	33	TA0500301R0	10	24			
SM8060412TP	30	35	TA0620504R0	10	25			
SM8060552TP	20	57	TA1030402R0	2	17			
SM8060552TP	22	57	TA1250406R0	2	19			
SM8060612TP	6	37	TA1270502R0	2	18			
SM8060612TP	10	4	TA1650406R0	2	47			
SM8060612TP	16	13	WP0320501SE	52	10			
SM8060612TP	22	56	WP0430800SD	22	89			
SM8060612TP	24	7	WP0430801SC	54	26			
SM8060612TP	28	58	WP0450000SD	46	31			
SM8060612TP	32	85	WP0450826SC	58	22			
SM8060612TP	38	13	WP0450846SP	60	20			
SM8060812TP	6	26	WP0460556SD	50	23			
SM8060812TP	12	29	WP0501016SD	50	21			
SM8060812TP	28	59	WP0501016SD	54	14			