

MODEL : LZ-2280A/LZ-2280A-7 SERIES

List No : 1632-03

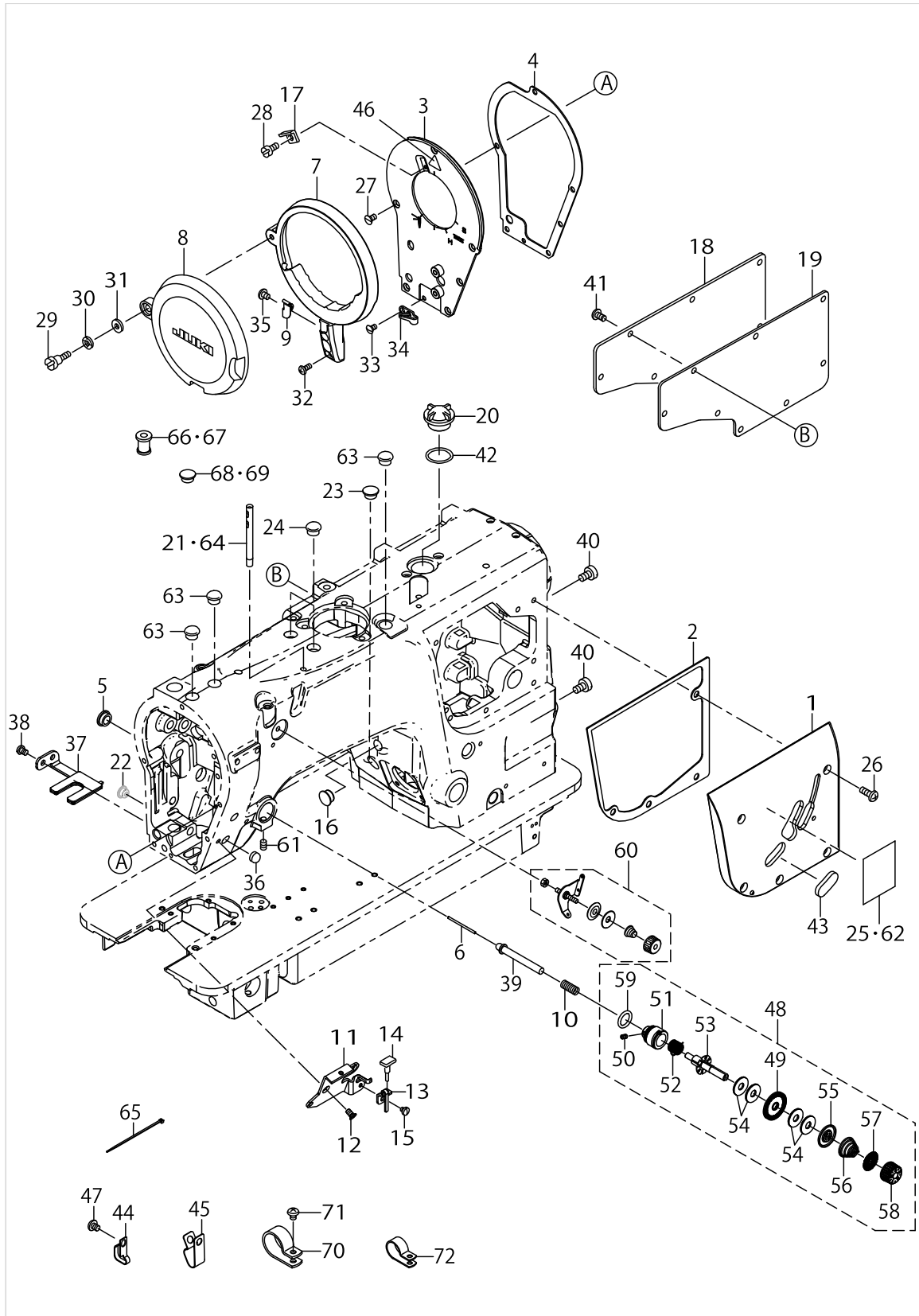
PARTS LIST

Published:10/31/2017

CONTENTS

FRAME & MISCELLANEOUS COVER COMPONENTS (1)	1
FRAME & MISCELLANEOUS COVER COMPONENTS (2)	5
MAIN SHAFT & NEEDLE BAR COMPONENTS	7
NEEDLE VIBRATOR & ADJUSTMENT COMPONENTS (1)	11
NEEDLE VIBRATOR & ADJUSTMENT COMPONENTS (2)	13
PRESSER BAR & FEED REGULATOR COMPONENTS	15
FEED MECHANISM COMPONENTS.....	19
FEED MECHANISM & CONDENSE COMPONENTS.....	23
HOOK DRIVING SHAFT & HOOK COMPONENTS	25
LUBRICATION COMPONENTS	27
THREAD TRIMMER MECHANISM COMPONENTS.....	29
UPPER THREAD FEEDER COMPONENTS.....	33
AUTOMATIC REVERSE FEED MECHANISM COMPONENTS.....	35
WIPER MECHANISM COMPONENTS.....	37
COVER COMPONENTS.....	39
OIL RESERVOIR & KNEE LIFTER COMPONENTS.....	41
THREAD STAND COMPONENTS.....	43
EXCLUSIVE PARTS FOR LZ-2284A(-7),LZ-2287A (1).....	45
SPECIAL ORDER PARTS (1)	47
SPECIAL ORDER PARTS (2)	49
LIST FOR INFORMATION OF CHANGE.....	55
HOW TO MAKE USE OF THIS PARTS LIST	56

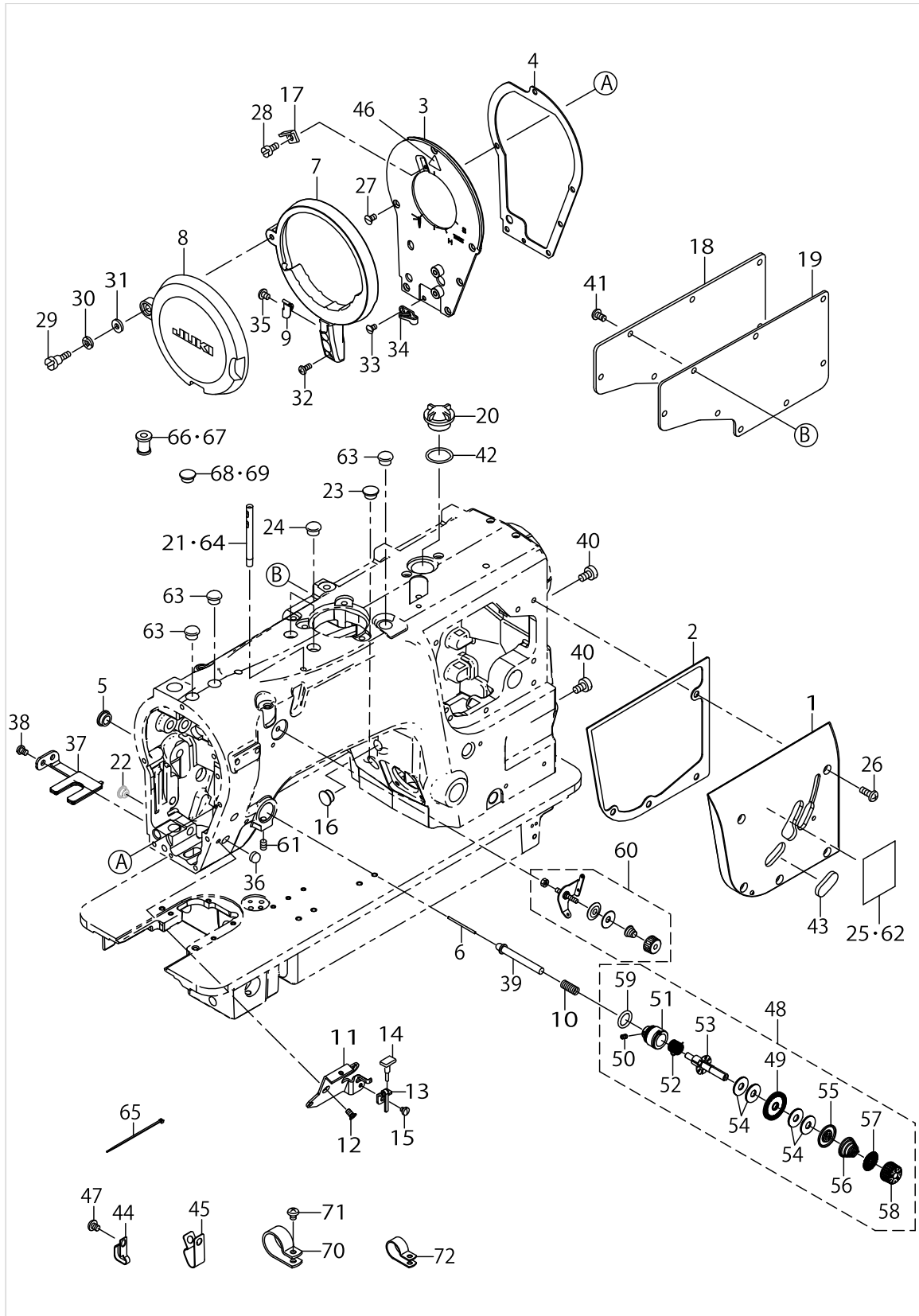
FRAME & MISCELLANEOUS COVER COMPONENTS (1)



FRAME & MISCELLANEOUS COVER COMPONENTS (1)

No.	Parts No.	Parts name	Remarks	Level	Cons	Qty
1	40125444	SIDE_COVER_ASSY				1
2	40125442	SIDE_COVER_GASKET				1
3	40125431	FACE_PLATE_ASM.				1
4	40125433	GASKET				1
5	TA1330405R0	BUSHING				1
6	23537814	THREAD RELEASE PIN				1
7	26305102	BALANCE COVER BASE				1
8	22502108	BALANCE COVER				1
9	26305300	SPRING				1
10	22920409	THREAD RELEASE PIN SPRING				1
11	40125430	THREAD_GUIDE_T				1
12	SS1110840SP	SCREW 11/64-40 L=8				2
13	40125438	THREAD GUIDE				1
14	40125710	RUBBER STOPPER				1
15	SS7090410SP	SCREW 9/64-40 L=3.5				1
16	TA1100604R0	PLUG				1
17	10001709	TAKE-UP THREAD CUTTER				1
18	22900401	WINDOW PLATE				1
19	40012129	SIDE PLATE PACKING				1
20	22924708	OIL SIGHT WINDOW				1
21	22958300	NEEDLE THREAD GUIDE PIN	EXCEPT LZ-228*A7*			1
22	TA0800504R0	PLUG D=8 L=4.5				1
23	TA1050504R0	RUBBER PLUG				2
24	TA1250705R0	RUBBER PLUG				2
25	23516206	OPERATION SEAL				1
26	SS4121415SP	SCREW 3/16-28 L=14				5
27	SS1110840SP	SCREW 11/64-40 L=8				7
28	SS7080410SP	SCREW 1/8-44 L=3.8				1
29	SD0640751SP	HINGE SCREW D=6.35 H=7.5				1
30	WZ0641510KP	WAVED WASHER 6.4X11X0.3				1
31	WP0651056SD	WASHER 6.5X11X1				1
32	SS4110915SP	SCREW 11/64-40 L=9				2
33	SS2090710SP	SCREW 9/64-40 L=7				1
34	26305409	SPRING GUARD				1
35	SS4120615SP	SCREW 3/16-28 L=6				1
36	GPR01015000	DRIVING STOPPER RUBBER				2
37	40125674	ASSY_LED_DEVICE	FOR LZ-2284A*0B,LZ-2284AT00, LZ-2284A7*,LZ-2280AA0*, LZ-2280A7*			1
38	SS4120615SP	SCREW 3/16-28 L=6	FOR LZ-2284A*0B,LZ-2284AT00, LZ-2284A7*,LZ-2280AA0*, LZ-2280A7*			1
39	22528616	THREAD RELEASE				1
40	SM6061010TP	SCREW M6 L=10	FOR LZ-2284A*0B,LZ-2284AT00, LZ-2284A7*,LZ-2280AA0*, LZ-2280A7*			2
41	SS4120915SP	SCREW 3/16-28 L=9				8
42	RO195240100	RUBBER RING				1
43	40125637	RUBBER CAP	FOR LZ-2280A*			1
44	40022407	CORD HOLDER	FOR LZ-2284A*0B,LZ-2284AT00, LZ-2284A7*,LZ-2280AA0*, LZ-2280A7*			1
45	D2112555B00	CORD HOLDER LARGE	FOR LZ-2284A*0B,LZ-2284AT00, LZ-2284A7*,LZ-2280AA0*, LZ-2280A7*			1

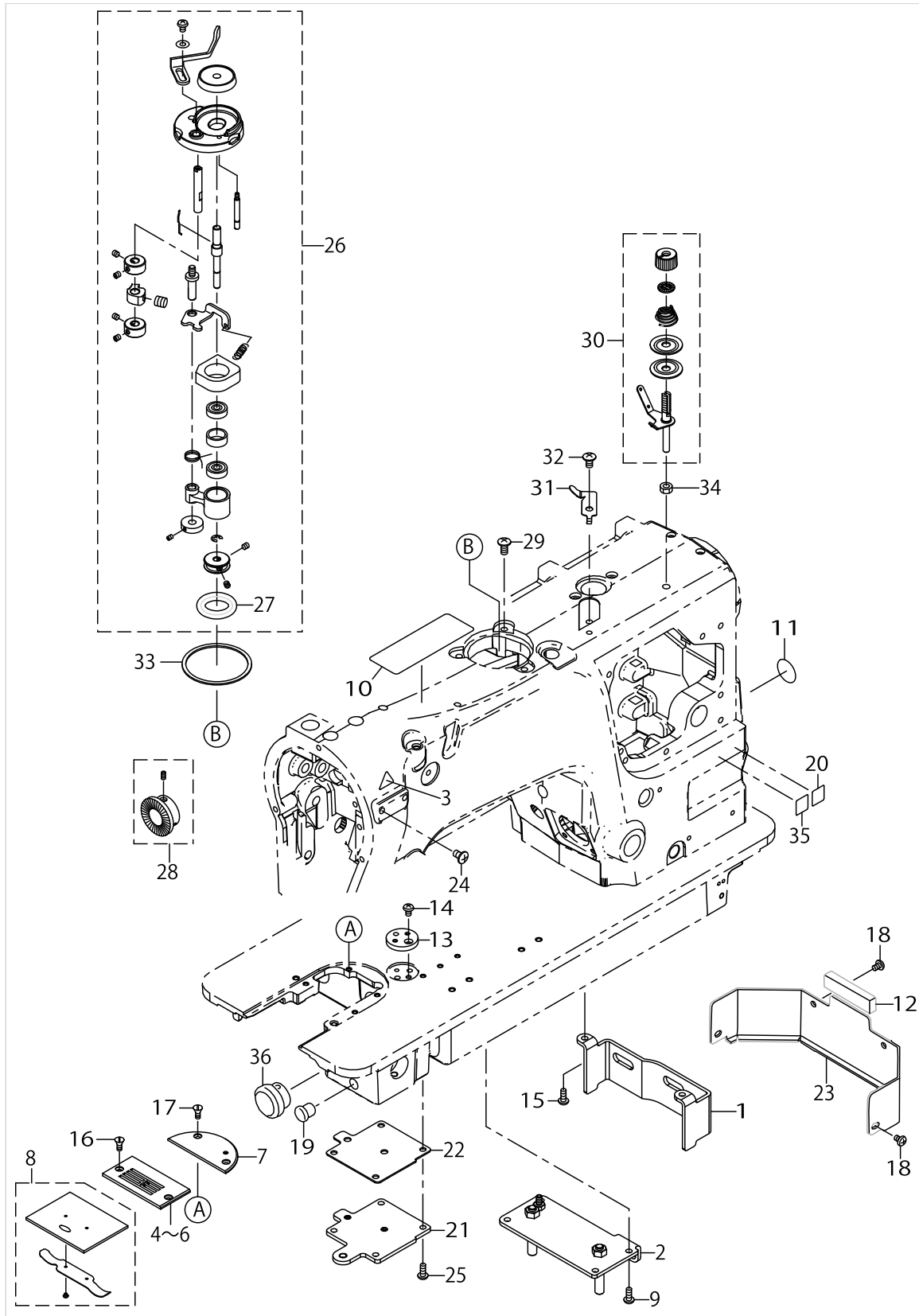
FRAME & MISCELLANEOUS COVER COMPONENTS (1)



FRAME & MISCELLANEOUS COVER COMPONENTS (1)

No.	Parts No.	Parts name	Remarks	Level	Cons	Qty
46	CM300200001	ATTENTION SEAL				1
47	SS4120615SP	SCREW 3/16-28 L=6	FOR LZ-2284A*0B,LZ-2284AT00, LZ-2284A7*,LZ-2280AA0*, LZ-2280A7*			1
48	40125651	THREAD_TENSION_ASM.				1
49	23547557	THREAD TENSION T COMPL.		*	☆	1
50	SS8090670SP	SCREW 9/64-40 L=5.5		*		1
51	22528152	THREAD TENSION ROD ASM.		*		1
52	23538309	THREAD TAKE-UP SPRING		*		1
53	40141101	THREAD_TENSION_POST_COMPL.		*		1
54	22528509	FELT		*	☆	4
55	10006005	TENSION DISC HOLDER		*		1
56	B3121352000	TENSION SPRING		*		1
57	22921407	ROTATION STOPPER		*		1
58	23626005	THREAD TENSION NUT		*		1
59	RO118240100	O-RING		*		1
60	40125685	PRE-TENSION CONTROLLER ASM.				1
61	SM8050812TP	SCREW M5X8				1
62	22542708	OPERATION SEAL	EXCEPT LZ-2280A*			1
63	TA1250705R0	RUBBER PLUG				3
64	22502504	THREAD GUIDE BAR	FOR LZ-228*A7*			1
65	EA9500B0100	CABLE BAND	FOR LZ-228*A0B*,LZ-228*A7*			2
66	D2467555B00	RUBBER PLUG	FOR LZ-228*A0B*			1
67	D2467555B00	RUBBER PLUG	FOR LZ-228*A7*			2
68	TA1050504R0	RUBBER PLUG	FOR LZ-228*A0B*			1
69	TA1050504R0	RUBBER PLUG	EXCEPT LZ-228*A0B*,LZ-228*A7*			2
70	HX00150000L	CABLE CLIP				1
71	SS4120615SP	SCREW 3/16-28 L=6				1
72	HX00150000H	CABLE CLIP				1

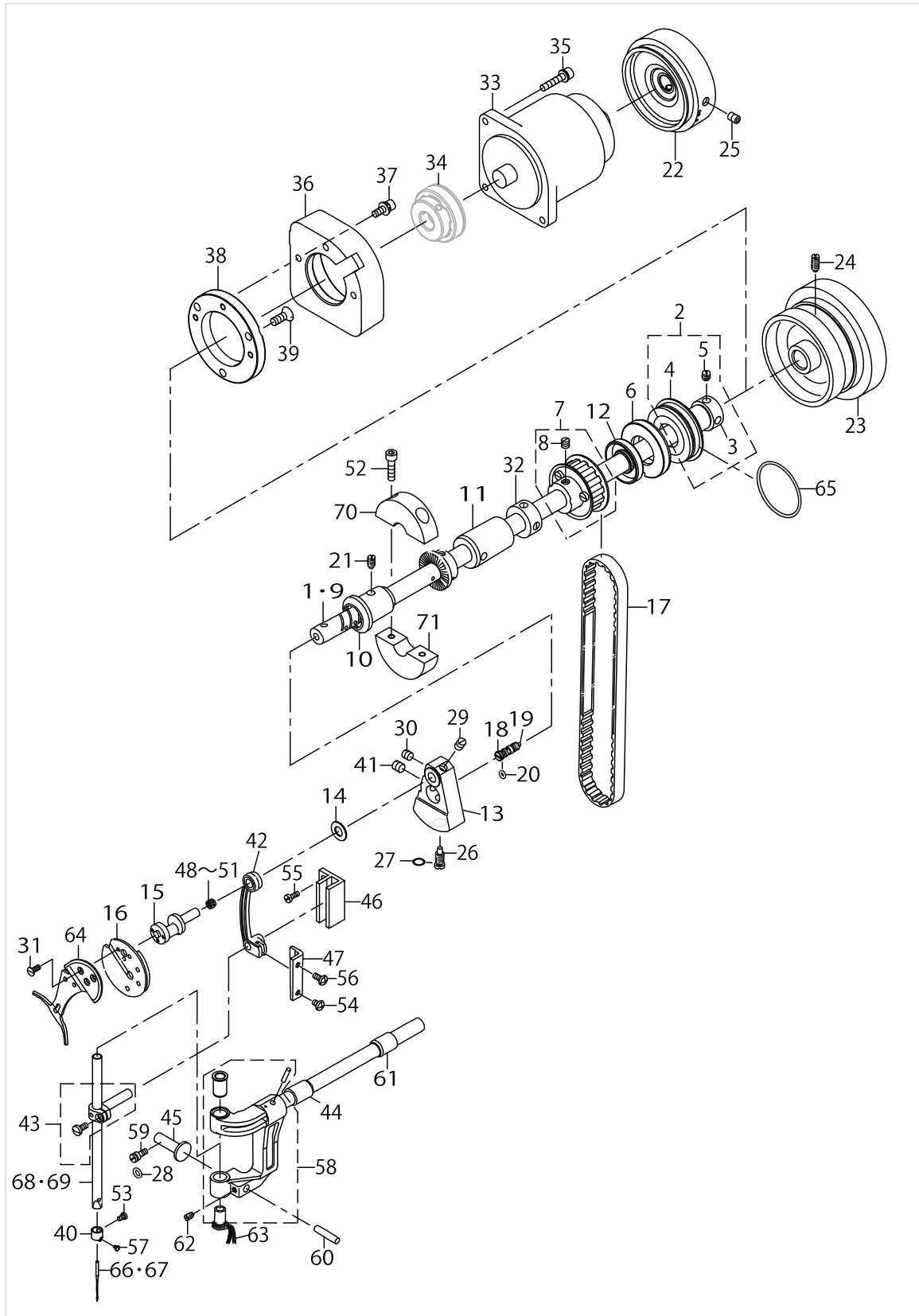
FRAME & MISCELLANEOUS COVER COMPONENTS (2)



FRAME & MISCELLANEOUS COVER COMPONENTS (2)

No.	Parts No.	Parts name	Remarks	Level	Cons	Qty
1	40125434	BED_SUPPORT_PLATE				1
2	40125435	GEAR_BOX_COVER_B_ASM.				1
3	CM300200002	CAUTION LABEL(25)				1
4	22582407	NEEDLE PLATE	EXCEPTNOTE#02,#04			1
5	22548010	NEEDLE PLATE	FOR LZ-2280AA			1
6	22548705	NEEDLE PLATE	FOR LZ-2280AA-BB			1
7	26300103	BED PLATE				1
8	26314757	SLIDE PLATE ASM.				1
9	SS4110915SP	SCREW 11/64-40 L=9				4
10	40102261	SAFETY_LABEL_S				1
11	22901805	GROUND MARK				1
12	10037406	OIL SHIELD RUBBER				1
13	40035589	RULER PLATE				1
14	SM4040655SP	SCREW M4 L=6				1
15	SS4111015SP	SCREW 11/64-40 L=10				2
16	SS2090810SP	SCREW 9/64-40 L=7.5			☆	2
17	SS2090810SP	SCREW 9/64-40 L=7.5			☆	2
18	SS4110615SP	SCREW 11/64-40 L=6				2
19	TA0950806R0	RUBBER PLUG				1
20	CM600100101	WEEE MARK LABEL S	VARIOUS NOS.FOR DESTINATIONS			1
21	40125505	GEAR_BOX_COVER_A_ASM.				1
22	40125504	GEAR_BOX_COVER_A_PACKING				1
23	10037307	OIL SHIELD PLATE				1
24	SM0050801SC	SCREW				2
25	SS4110915SP	SCREW 11/64-40 L=9				4
26	40034920	BOBBIN WINDER UNIT				1
27	A321600100A	RUBBER RING		*	☆	1
28	22538854	BTW DRIVING WHEEL ASM.				1
29	SM0051001SC	SCREW				3
30	40091212	BOBBIN_THREAD_TENSION_ASM.				1
31	40037008	THREAD_CUTTER				1
32	SM0051001SC	SCREW				2
33	22538706	PACKING				1
34	NM6050001SD	NUT M5X0.8				1
35	40150131	EAC_MARK_LABEL_S	FOR PLACE OF DESTINATION BB			1
36	10032001	NYLON CAP				1

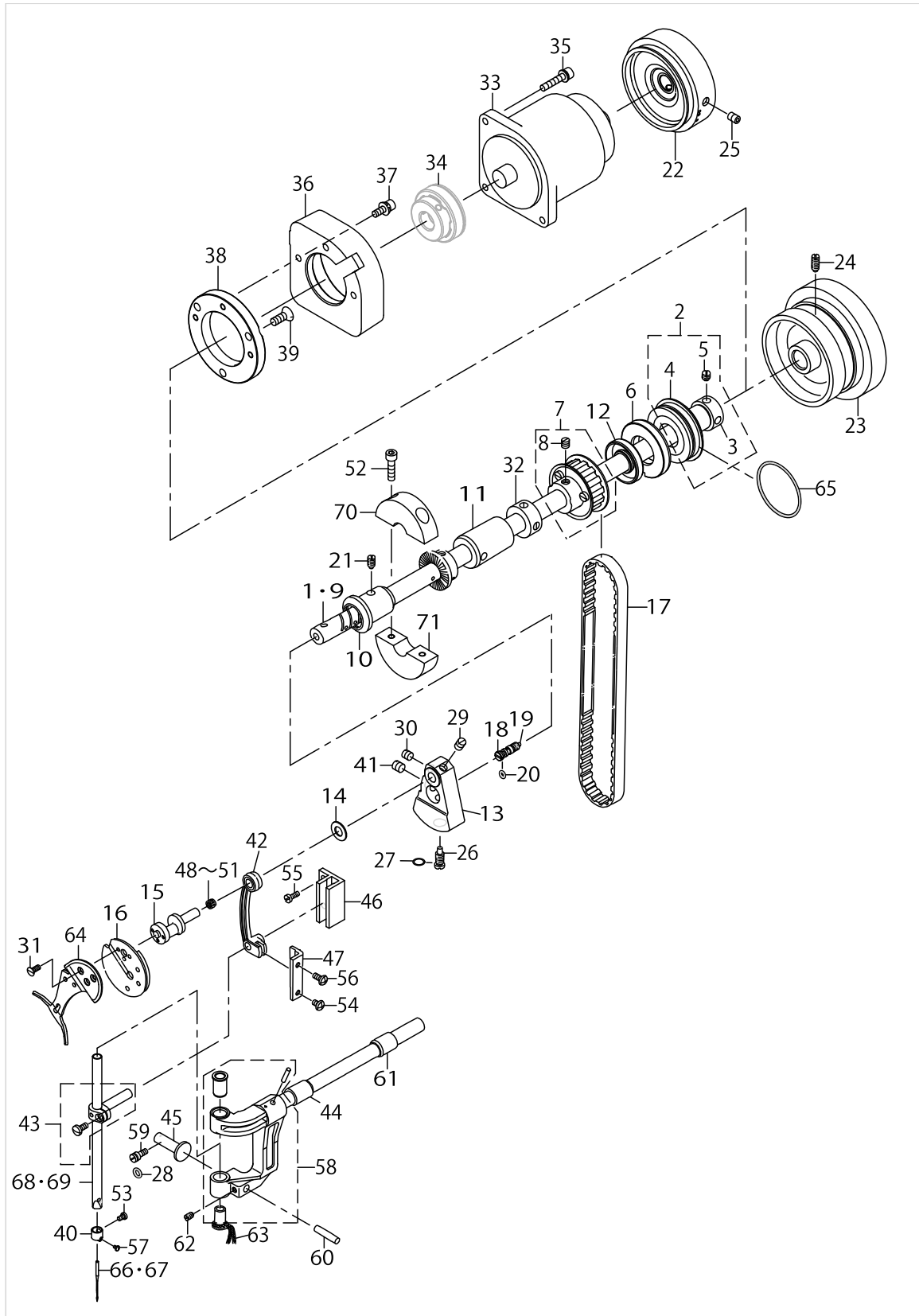
MAIN SHAFT & NEEDLE BAR COMPONENTS



MAIN SHAFT & NEEDLE BAR COMPONENTS

No.	Parts No.	Parts name	Remarks	Level	Cons	Qty
1	40125450	MAIN_SHAFT				1
2	40125451	THRUST_COLLAR_ASM.				1
3	22505200	THRUST COLLAR		*		1
4	SB120002700	BEARING		*		1
5	SS8660610TP	SCREW 1/4-40 L=6		*		2
6	40125453	OIL_SEAL_COLLAR				1
7	40044872	SPROCKET UPPER ASM.				1
8	SS8660610TP	SCREW 1/4-40 L=6		*		2
9	40125460	MAIN_SHAFT_DD	FOR LZ-2284A*0B,LZ-2284AT00, LZ-2284A7*			1
10	40040372	MAIN SHAFT BUSHING				1
11	40125455	MAIN SHAFT BUSHING M				1
12	11002508	OIL SEAL				1
13	26300202	COUNTERWEIGHT				1
14	13312202	THRUST_WASHER				1
15	26300301	NEEDLE BAR CRANK				1
16	10008753	TAKE-UP COUNTERWEIGHT ASM.				1
17	22505705	TIMING BELT				1
18	26304402	PIN				1
19	B1810552000	OIL WICK				1
20	RO029180100	RUBBER RING				1
21	SS8151150SP	SCREW 15/64-28 L=10.5				1
22	40125456	HAND_PULLEY	FOR LZ-2284A*0B,LZ-2284AT00, LZ-2284A7*			1
23	22927206	HAND WHEEL				1
24	SS8151550SP	SCREW 15/64-28 L=15				2
25	SM80608A2TP	SCREW M6 L=8	FOR LZ-2284A*0B,LZ-2284AT00, LZ-2284A7*			2
26	SS7681650TP	SCREW 9/32-28 L=16				1
27	RO044240100	RUBBER RING				1
28	RO048190100	RUBBER RING				1
29	SS8660610TP	SCREW 1/4-40 L=6				2
30	SS8660610TP	SCREW 1/4-40 L=6				2
31	SS1090930SP	SCREW 9/64-40 L=8.6				3
32	22904155	MAIN SHAFT THRUST COLLAR ASM.				1
33	40125465	MAIN_MOTOR	FOR LZ-2284A*0B,LZ-2284AT00, LZ-2284A7*			1
34	40111025	COUPLING_ASM.	FOR LZ-2284A*0B,LZ-2284AT00, LZ-2284A7*			1
35	SL6052592TN	BOLT	FOR LZ-2284A*0B,LZ-2284AT00, LZ-2284A7*			3
36	40110979	MAIN_MOTOR_BASE_76	FOR LZ-2284A*0B,LZ-2284AT00, LZ-2284A7*			1
37	SL6051492TN	BOLT	FOR LZ-2284A*0B,LZ-2284AT00, LZ-2284A7*			3
38	40125463	MOTOR_BASE_SPACER	FOR LZ-2284A*0B,LZ-2284AT00, LZ-2284A7*			1
39	SM1061601SC	SCREW M6 L=16	FOR LZ-2284A*0B,LZ-2284AT00, LZ-2284A7*			3
40	22507701	NEEDLE ROD THREAD RACK R			☆	1
41	SS8680730SP	SCREW 9/32-28 L=7				1
42	40082351	NEEDLE BAR CRANK ROD ASM.				1
43	40070532	NEEDLE_BAR_CONNECTION_ASM.				1
44	22913008	FEED ROCKER SHAFT BUSHING				1
45	26305904	NEEDLE BAR YOKE PRESSER				1
46	22508006	NEEDLE BAR CONNECTION GUIDE				1
47	26300400	CRANK ROD GUIDE				1

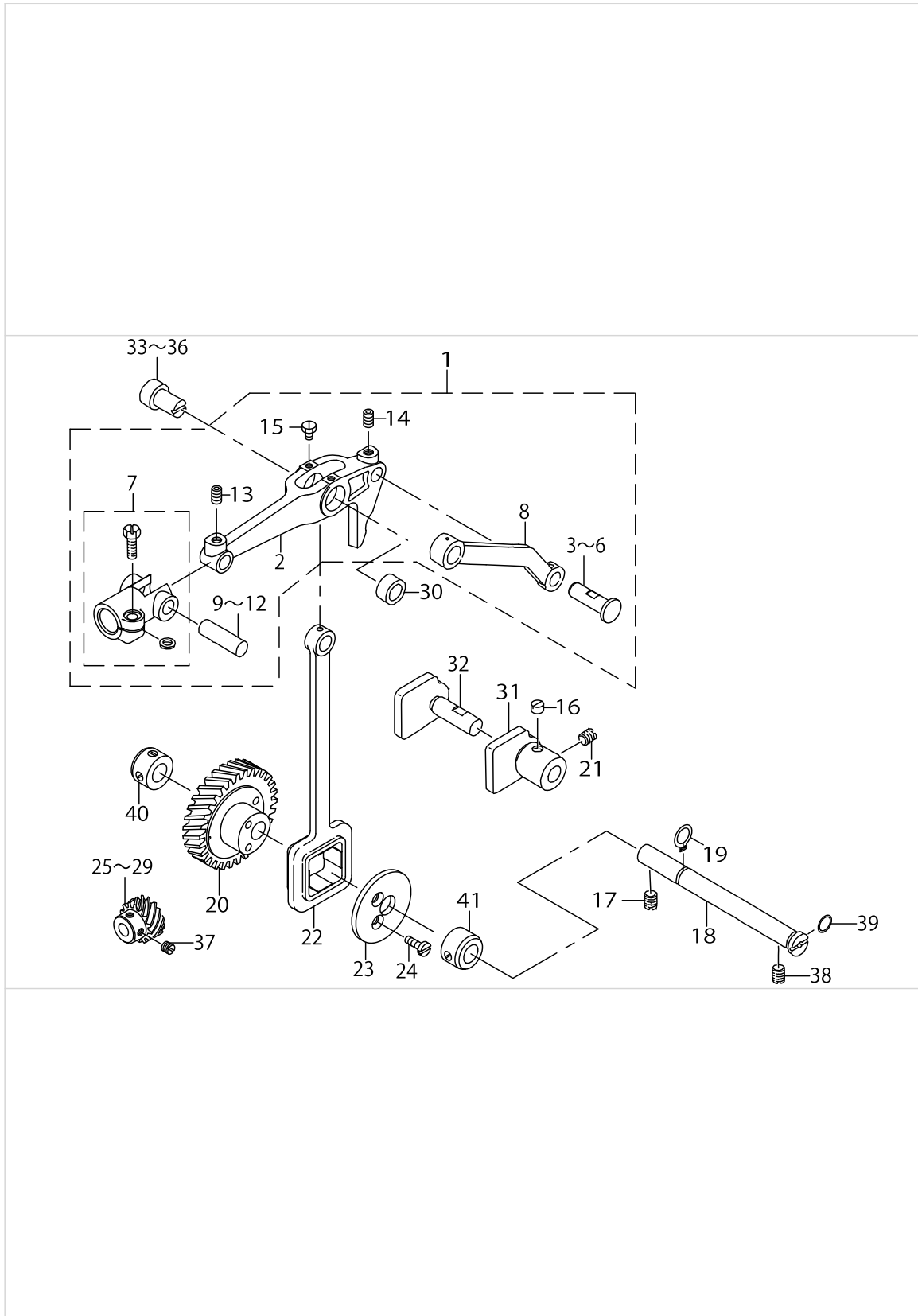
MAIN SHAFT & NEEDLE BAR COMPONENTS



MAIN SHAFT & NEEDLE BAR COMPONENTS

No.	Parts No.	Parts name	Remarks	Level	Cons	Qty
48	B1905541A00	NEEDLE BEARING A	SELECTIVE PARTS			1
49	B1905541B00	NEEDLE BEARING	SELECTIVE PARTS			1
50	B1905541C00	NEEDLE BEARING	SELECTIVE PARTS			1
51	B1905541D00	NEEDLE BEARING	SELECTIVE PARTS			1
52	SM6052002TP	SCREW M5 L=20	FOR LZ-2284A*0B,LZ-2284AT00, LZ-2284A7*			2
53	SS7080520SP	SCREW 1/8-44 L=4.9			☆	1
54	SS4110615SP	SCREW 11/64-40 L=6				1
55	SS4110915SP	SCREW 11/64-40 L=9				2
56	SS4110915SP	SCREW 11/64-40 L=9				1
57	SS7060310SP	SCREW 3/32-56 L=3	FOR PLACE OF DESTINATION AA,GG		☆	1
58	26300962	NEEDLE BAR YOKE ASM.				1
59	26306001	SCREW				1
60	10013407	GUIDE PIN				1
61	26301408	SHAFT BUSHING REAR				1
62	SS8120740SP	SCREW 3/16-28 L=7				1
63	CQ202000000	OIL WICK				0.1
64	22506208	BALANCE V				1
65	RO437200200	RUBBER RING				1
66	MDP134B1000	NEEDLE DPX134 #10	FOR PLACE OF DESTINATION AA,GG		☆	1
67	MC192300750	NEEDLE 438 #75	FOR PLACE OF DESTINATION BB			1
68	22507818	NEEDLE ROD	FOR PLACE OF DESTINATION AA,GG			1
69	40015494	NEEDLE BAR	FOR PLACE OF DESTINATION BB			1
70	40125458	MAIN WHEEL UPPER	FOR LZ-2284A*0B,LZ-2284AT00, LZ-2284A7*			1
71	40125459	MAIN WHEEL LOWER	FOR LZ-2284A*0B,LZ-2284AT00, LZ-2284A7*			1

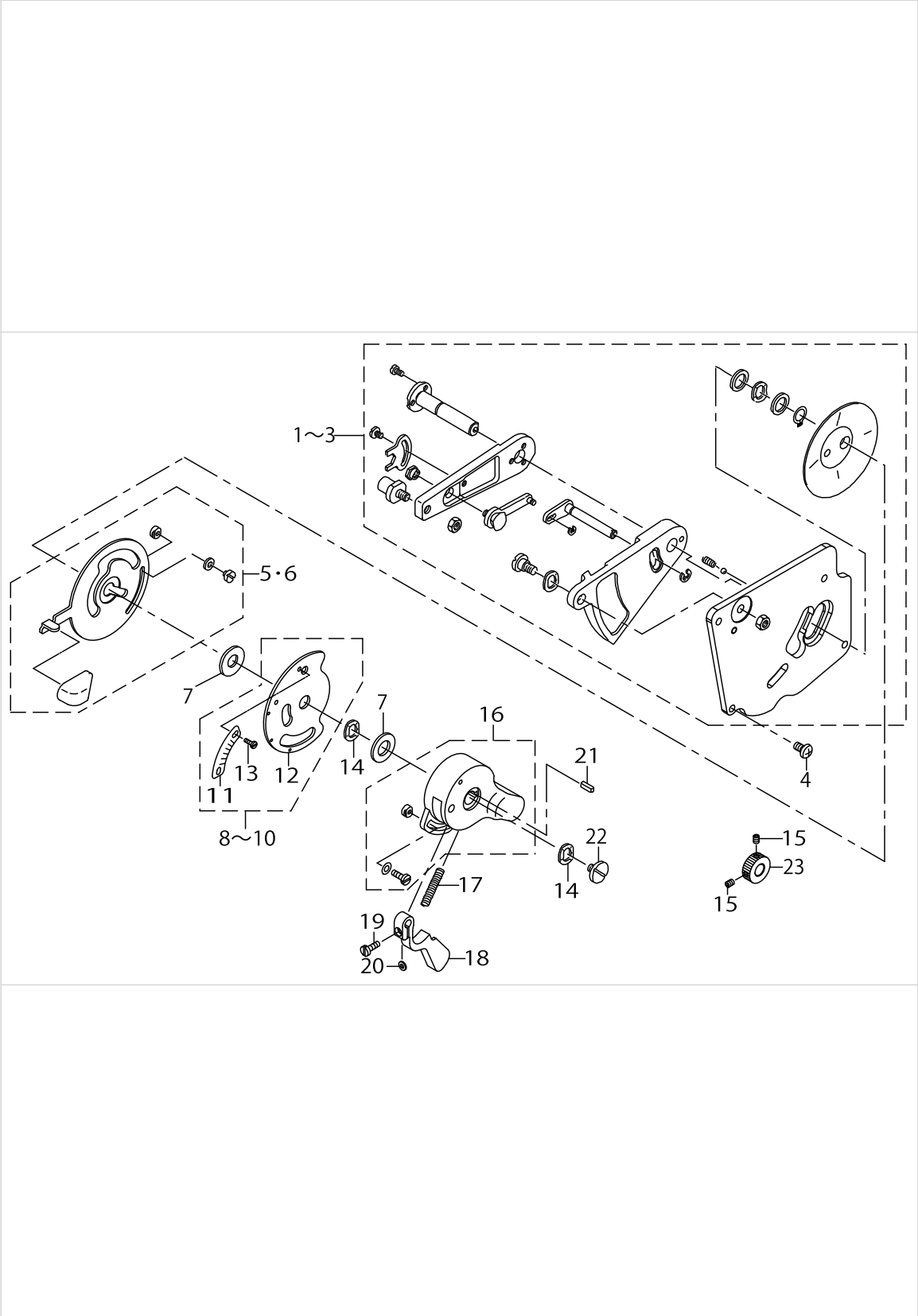
NEEDLE VIBRATOR & ADJUSTMENT COMPONENTS (1)



NEEDLE VIBRATOR & ADJUSTMENT COMPONENTS (1)

No.	Parts No.	Parts name	Remarks	Level	Cons	Qty
1	22509756	DRIVE LINK ASM.				1
2	40065490	DRIVE LINK		*		1
3	26307405	SHAFT A	SELECTIVE PARTS	*		1
4	26307504	SHAFT	SELECTIVE PARTS	*		1
5	26307603	SHAFT C	SELECTIVE PARTS	*		1
6	26307702	SHAFT D	SELECTIVE PARTS	*		1
7	40056375	SHAFT CONNECTION ASM.		*		1
8	26302307	LINK		*		1
9	10012904	PIN D	SELECTIVE PARTS	*		1
10	10012607	PIN A	SELECTIVE PARTS	*		1
11	10012706	PIN B	SELECTIVE PARTS	*		1
12	10012805	PIN C	SELECTIVE PARTS	*		1
13	SM8050812TP	SCREW M5X8		*		1
14	SM8050812TP	SCREW M5X8		*		1
15	SS9090610TP	SCREW 9/64-40 L=5.5		*		2
16	SS8660410SP	SCREW 1/4-40 L=4.2				1
17	SS8660810TP	SCREW 1/4-40 L=8				1
18	26300608	NEEDLE VIBRATING CAM SHAFT				1
19	RC0100001KP	SNAP RING M10				1
20	22542500	NEEDLE VIBRATING CAM				1
21	SS8150710SP	SCREW 15/64-28 L=7				1
22	22510101	NEEDLE VIBRATING ROD				1
23	22510200	CAM COVER				1
24	SS2110920TP	SCREW 11/64-40 L=8.5				2
25	10011005	SCREW GEAR A	SELECTIVE PARTS			1
26	10011104	SCREW GEAR B	SELECTIVE PARTS			1
27	10011203	SCREW GEAR C	SELECTIVE PARTS			1
28	10011302	SCREW GEAR D	SELECTIVE PARTS			1
29	10014009	SCREW GEAR E	SELECTIVE PARTS			1
30	10012201	BUSHING				1
31	10012417	DRIVE LINK GUIDE A				1
32	10012516	DRIVE LINK GUIDE B				1
33	26301002	PIN A	SELECTIVE PARTS			1
34	26301101	PIN B	SELECTIVE PARTS			1
35	26301200	PIN B	SELECTIVE PARTS			1
36	26301309	PIN D	SELECTIVE PARTS			1
37	SS8660610TP	SCREW 1/4-40 L=6				2
38	SS8660970TP	SCREW 1/4-40 L=8.5				1
39	RO069180100	RUBBER RING			☆	1
40	CS1031210SH	THRUST COLLAR ASM. D=10.32 W=12				1
41	CS103121BSH	THRUST COLLAR ASM. D=10.32 W=12				1

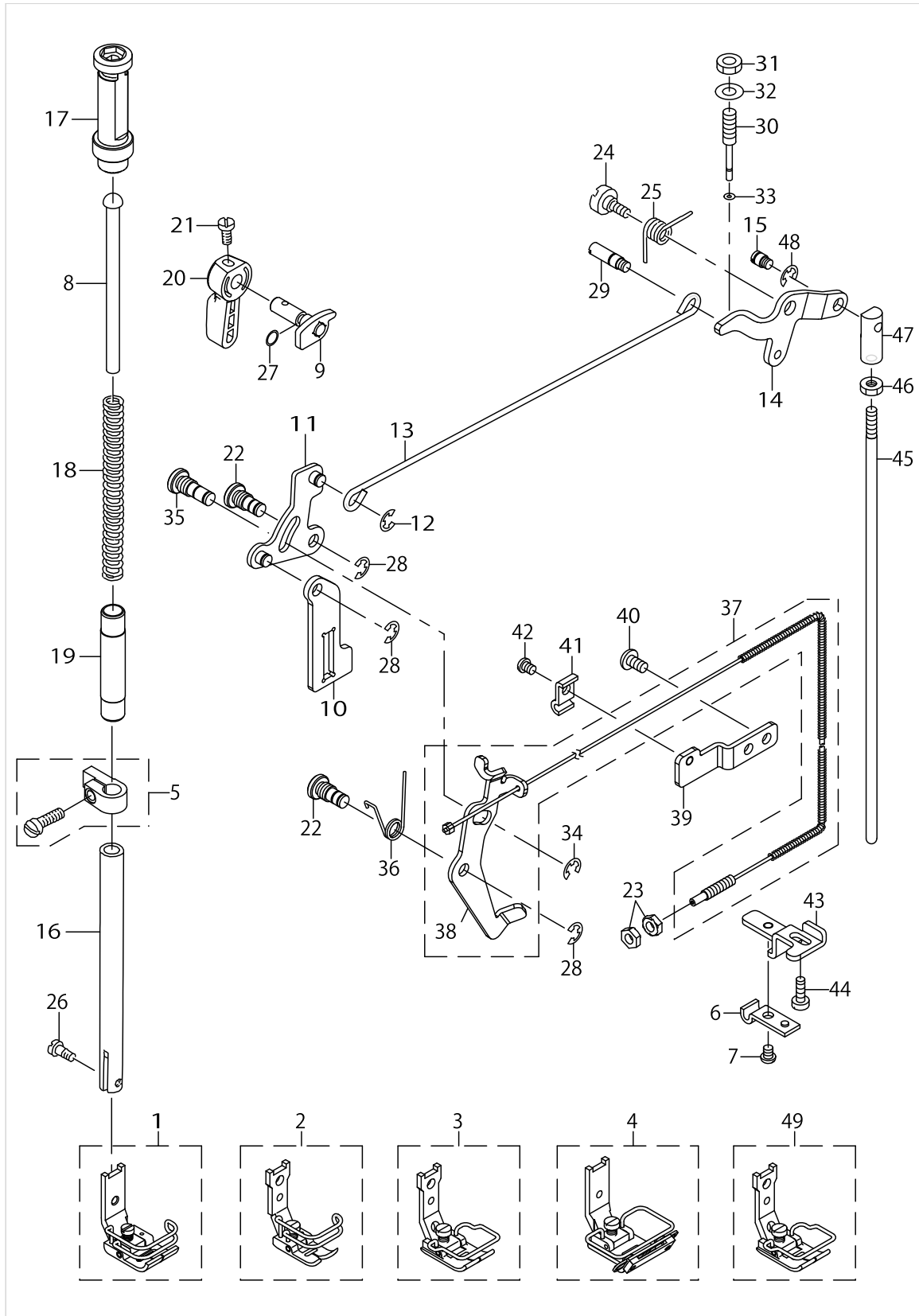
NEEDLE VIBRATOR & ADJUSTMENT COMPONENTS (2)



NEEDLE VIBRATOR & ADJUSTMENT COMPONENTS (2)

No.	Parts No.	Parts name	Remarks	Level	Cons	Qty
1	40125439	CHANGE_BASE_ASM_80				1
2	40125445	CHANGE_BASE_ASM_84	FOR LZ-2284A(-7)			1
3	40125628	CHANGE_BASE_ASM_87	FOR LZ-2287A			1
4	SS4120915SP	SCREW 3/16-28 L=9				4
5	26307157	LEVER ASM.				1
6	22573257	CHANGING LEVER ASM.	FOR LZ-2284A(-7),LZ-2287A			1
7	WP1021016SD	WASHER				2
8	22512362	SCALE PLATE ASM.				1
9	40125668	SCALE_PLATE_ASM_84	FOR LZ-2284A(-7)			1
10	40125669	SCALE_PLATE_ASM_87	FOR LZ-2287A			1
11	22512313	SCALE PLATE		*		1
12	26306951	SCALE MOUNTING BASE COMPL.		*		1
13	SS6080320SP	SCREW 1/8-44 L=2.5		*		2
14	WZ1052010KP	WAVED WASHER			☆	2
15	SM8040502TP	SCREW M4X0.7 L=5	FOR LZ-2284A(-7),LZ-2287A			2
16	22512156	KNOB ASM.				1
17	10017705	SPRING				1
18	26306803	LEVER				1
19	SS7090910TP	SCREW 9/64-40 L=8.5				1
20	WP0371036SD	WASHER 3.7X6X1				1
21	10015105	KEY				1
22	SS7620750SP	SCREW 3/16-32 L=6.5				1
23	23521404	ADJUSTING PICK-UP	FOR LZ-2284A(-7),LZ-2287A			1

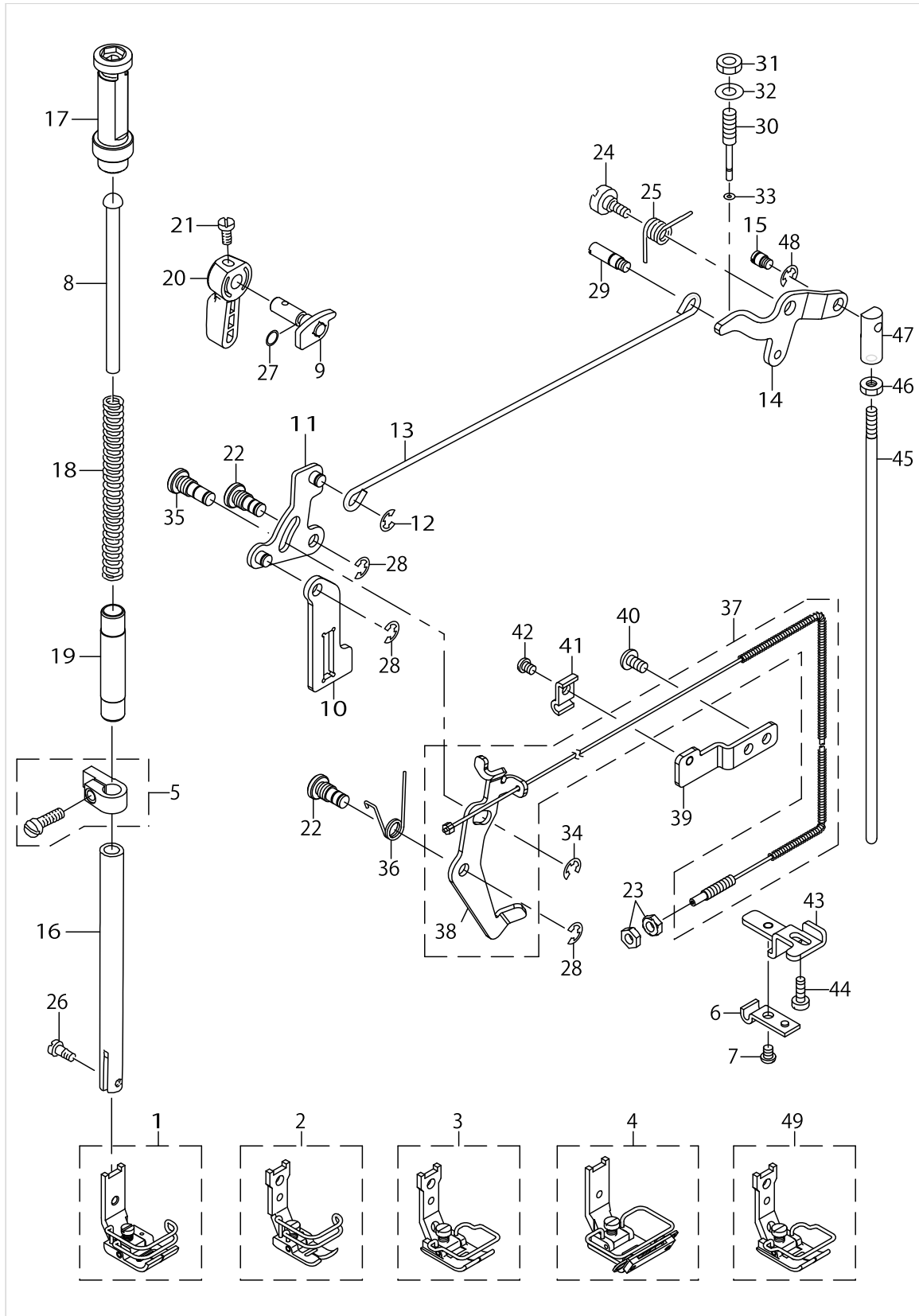
PRESSER BAR & FEED REGULATOR COMPONENTS



PRESSER BAR & FEED REGULATOR COMPONENTS

No.	Parts No.	Parts name	Remarks	Level	Cons	Qty
1	10045052	PRESSER FOOT ASM.	FOR LZ-2280AB			1
2	22548671	PRESSER FOOT ASM.	FOR LZ-2280AA			1
3	40138514	PRESSER FOOT ASM.	FOR LZ-2284A,LZ-2284A0B, LZ-2287A			1
4	MAB109000B0	TAPING FOOT	FOR LZ-2284AT			1
5	40070531	PRESSER_BAR_CONNECTION_ASM.				1
6	D3164555B00	OUTER PRESSER PLATE	FOR LZ-228*A7			1
7	SS4110715SP	SCREW 11/64-40 L=7	FOR LZ-228*A7			1
8	22907703	PRESSER GUIDE BAR				1
9	26307850	HAND LIFTER CAM COMPL.				1
10	40125470	LIFTING PLATE				1
11	22908156	LIFTING LINK ASM.				1
12	RE0500000K0	E-RING				2
13	22908305	LIFTING LEVER CONNECTING ROD				1
14	40125471	LIFTER LEVER LINK				1
15	B3416552000	CONNECTING ROD HINGE SCREW				1
16	40125469	PRESSER_BAR				1
17	40037359	PRESSER SPRING REGURATOR ASM.				1
18	22907406	PRESSER SPRING				1
19	22907109	PRESSER BAR BUSHING LOWER				1
20	22907802	HAND LIFTER				1
21	B1521555000	SCREW				1
22	22908701	HINGE PIN				2
23	NS6620310SP	NUT 3/16-32	FOR LZ-228*A7			2
24	GAK33041000	KNEE LIFTING LINK STEP-SCREW				1
25	GAK33042000	KNEE LIFTING LINK SPRING				1
26	SS7090910TP	SCREW 9/64-40 L=8.5			☆	1
27	RO037180100	RUBBER RING				1
28	RE0500000K0	E-RING				3
29	40125666	SHAFT_PIN_AK				1
30	40125474	ADJUST SCREW				1
31	NM6060003SE	NUT FOR BRACKET				1
32	WP0621016SD	WASHER 6.2X13X1				1
33	RO025100100	O-RING				1
34	RE0500000K0	E-RING				1
35	22920102	TENSION RELEASE SHAFT				1
36	40125663	RETURN_SPRING				1
37	40125479	THREAD_RELEASE_PLATE_ASM.	FOR LZ-228*A7			1
38	40125475	TENSION RELEASE PLATE	EXCEPT LZ-228*A7	*		1
39	40125473	WIRE HOLDER UPPER	FOR LZ-228*A7			1
40	SS4120915SP	SCREW 3/16-28 L=9	FOR LZ-228*A7			2
41	40125662	WIRE PRESSER UPPER	FOR LZ-228*A7			1
42	SS4110715SP	SCREW 11/64-40 L=7	FOR LZ-228*A7			1
43	40125476	WIRE HOLDER LOWER	FOR LZ-228*A7			1
44	SS6111210SP	SCREW 11/64-40 L=12	FOR LZ-228*A7			1
45	10022606	CONNECTING ROD VERTICAL				1
46	NS6620310SP	NUT 3/16-32				1
47	B3416555000	SWIVEL				1

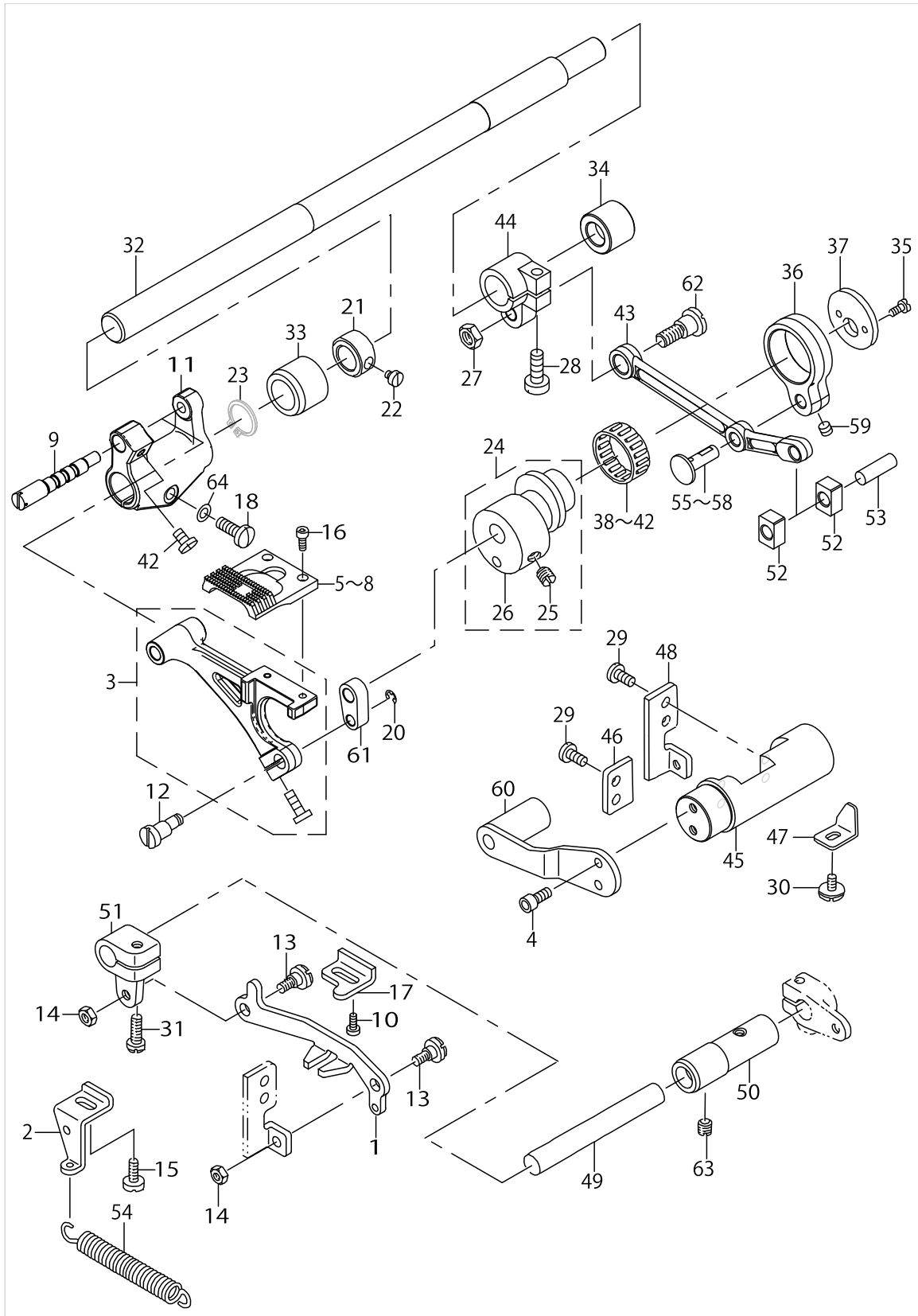
PRESSER BAR & FEED REGULATOR COMPONENTS



PRESSER BAR & FEED REGULATOR COMPONENTS

No.	Parts No.	Parts name	Remarks	Level	Cons	Qty
48	RE0500000K0	E-RING				1
49	40142886	PRESSER FOOT ASM.	FOR LZ-2280AA-BB			1

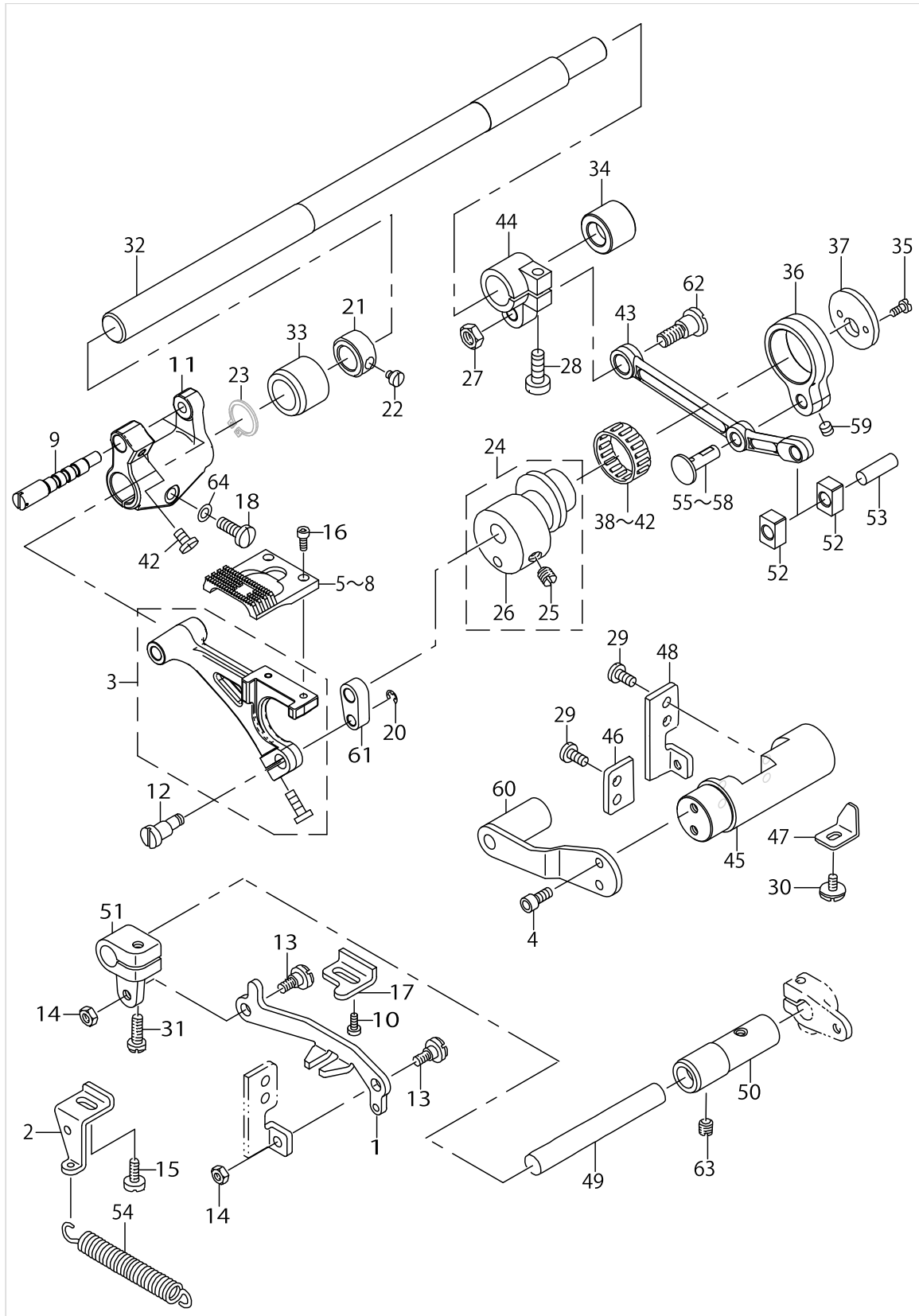
FEED MECHANISM COMPONENTS



FEED MECHANISM COMPONENTS

No.	Parts No.	Parts name	Remarks	Level	Cons	Qty
1	26309104	FEED REVERSAL LINK B				1
2	22519607	TENSION SPRING RACK				1
3	40125481	FEED_BASE_ASM.				1
4	SS6111052TP	SCREW	FOR LZ-2280AB			2
5	40125484	FEED_DOG	FOR LZ-2280AB			1
6	22548119	FEED DOG	FOR LZ-2280AA			1
7	22581508	FEED DOG	EXCEPT NOTE #02,#03,#04			1
8	22548804	FEED DOG	FOR LZ-2280AA-BB			1
9	40125485	FEED_BASE_SHAFT				1
10	SS6111140SP	SCREW 11/64-40 L=11				1
11	22940605	FEED_BASE_ARM				1
12	26303107	LINK SHAFT			☆	1
13	SD0600321SP	HINGE SCREW D=6 H=3.2				2
14	NS6120310SP	NUT 3/16-28				2
15	SS6111140SP	SCREW 11/64-40 L=11				1
16	SS6580752TP	SCREW 1/8-40 L=7				2
17	10029304	REVERSE FEED LIMITER				1
18	SS7121410TP	SCREW 3/16-28 L=14				1
19	SS7110740TP	SCREW 11/64-40 L=7				1
20	RE0300000K0	E-RING 3			☆	1
21	22904106	MAIN SHAFT THRUST COLLAR				1
22	SS6660710TP	SCREW 1/4-40 L=7				1
23	RC0150001KP	RETAINING RING 13.8				1
24	10026763	ECCENTRIC CAM ASM.				1
25	SS8660810TP	SCREW 1/4-40 L=8		*		2
26	10026706	ECCENTRIC CAM		*		1
27	NS6680410SP	NUT 9/32-28				1
28	SS6121610TP	SCREW 3/16-28 L=15.5				1
29	SS7110910TP	SCREW 11/64-40 L=8.5				4
30	SS5110710SP	SCREW 11/64-40 L=7				1
31	SS7121410TP	SCREW 3/16-28 L=14				1
32	40125486	FEED_ROCKER_SHAFT				1
33	22913008	FEED ROCKER SHAFT BUSHING				1
34	40125490	FEED_SHAFT_BUSH_R				1
35	SS4080620TP	SCREW 1/8-44 L=6				2
36	40125487	HORIZONTAL_FEED_ROD				1
37	10026904	SIDE DISC PLATE				1
38	B1609804A00	BUSHING	SELECTIVE PARTS			1
39	B1609804B00	NEEDLE BEARING	SELECTIVE PARTS			1
40	B1609804C00	BEARING	SELECTIVE PARTS			1
41	B1609804D00	BEARING	SELECTIVE PARTS			1
42	B1609804E00	BEARING	SELECTIVE PARTS			1
43	40125488	CONNECTING_ROD				1
44	B16085550A0	FEED ROCKER SHAFT CRANK ASM.				1
45	40010319	FEED ADJUSTING				1
46	26303404	PLATE A				1
47	10027506	STOPPER PLATE				1

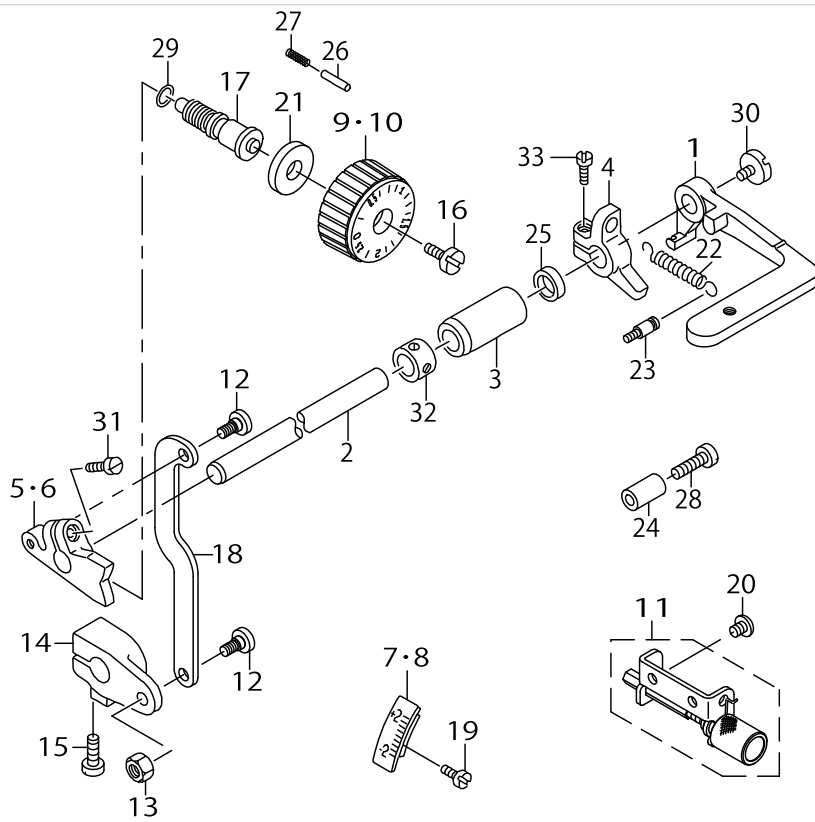
FEED MECHANISM COMPONENTS



FEED MECHANISM COMPONENTS

No.	Parts No.	Parts name	Remarks	Level	Cons	Qty
48	10027407	PLATE B				1
49	26303503	FEED VARIABLE SHAFT				1
50	40043912	BUSHING				1
51	26303701	FEED VARIABLE ARM C				1
52	40050457	FEED DRIVING ROCKER BLOCK				2
53	40032271	FEED DRIVING ROCKER BLOCK PIN				1
54	B1646555000	TENSION SPRING				1
55	40010286	JUNCTION SHAFT A	SELECTIVE PARTS			1
56	40010287	JUNCTION SHAFT B	SELECTIVE PARTS			1
57	40010288	JUNCTION SHAFT C	SELECTIVE PARTS			1
58	40010289	JUNCTION SHAFT D	SELECTIVE PARTS			1
59	SM8050402TP	SCREW				1
60	26309351	COUNTER WEIGHT	FOR LZ-2280AB			1
61	40125483	VERTICAL_FEED_LINK			☆	1
62	SD0900701TP	HINGE SCREW D=9 H=7				1
63	SS8150510TP	SCREW 15/64-28 L=4.7				1
64	WP0480856SD	WASHER 4.8X8.4X0.8				1

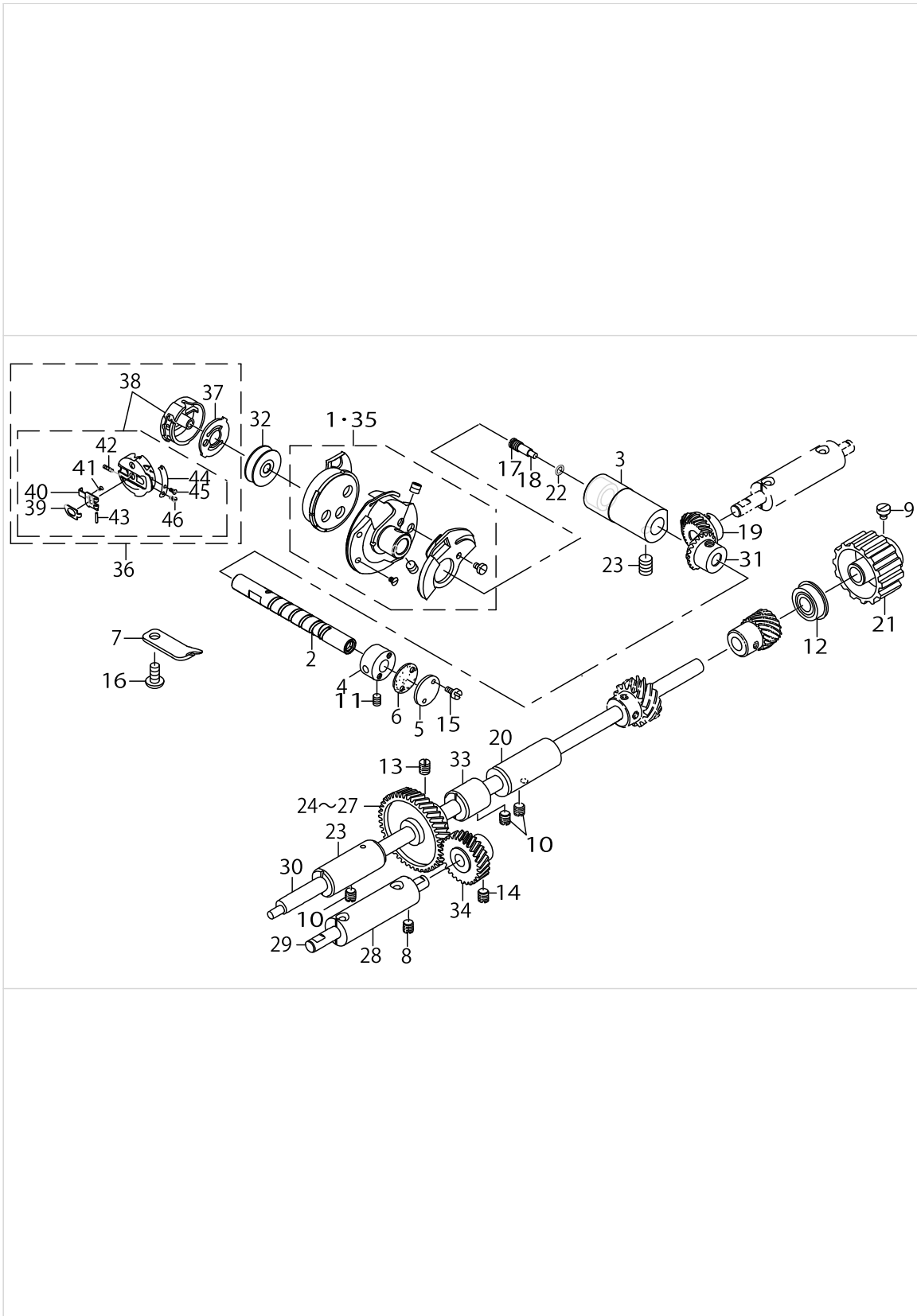
FEED MECHANISM & CONDENSE COMPONENTS



FEED MECHANISM & CONDENSE COMPONENTS

No.	Parts No.	Parts name	Remarks	Level	Cons	Qty
1	40056754	LEVER				1
2	26312405	FEED REGULATOR SHAFT				1
3	26308205	BUSHING				1
4	26308353	CONDENSE STOPPER ARM ASM.				1
5	40125491	FEED_DRIVING_ADJUSTER_2280AA	FOR LZ-2280AA			1
6	40125492	FEED_DRIVING_ADJUSTER_2280AB	FOR LZ-2280AB			1
7	22519805	SCALE PLATE	FOR LZ-2280AA			1
8	22540207	SCALE PLATE	FOR LZ-2280AB			1
9	26302000	FEED DIAL	FOR LZ-2280AA			1
10	22911903	FEED DIAL	FOR LZ-2280AB			1
11	40057195	CONDENSE KNOB ASM.				1
12	SD0600321SP	HINGE SCREW D=6 H=3.2				2
13	NS6120310SP	NUT 3/16-28				1
14	26303602	FEED VARIABLE ARM B				1
15	SS6121610TP	SCREW 3/16-28 L=15.5				1
16	SS6121860SP	SCREW 3/16-28 L=18				1
17	22519201	ADJUSTING SCREW				1
18	26314401	FEED REVERSAL LINK				1
19	SS4120615SP	SCREW 3/16-28 L=6				2
20	SS4120615SP	SCREW 3/16-28 L=6				2
21	D2468555B00	RUBBER PLUNGER	FOR LZ-228*A7			1
22	D2515232D00	TORSION SPRING				1
23	26226407	TENSION SPRING HOOK				1
24	22952501	BACK LEVER STOPPER				1
25	B2508704000	OIL SEAL				1
26	22912000	FEED REGULATOR PIN				1
27	22912109	FEED REGULATOR PIN SPRING				1
28	SS6121840SP	SCREW 3/16-28 L=18				1
29	RO074240100	RUBBER RING				1
30	SS7620750SP	SCREW 3/16-32 L=6.5				1
31	SS7121410TP	SCREW 3/16-28 L=14				1
32	CS1031210SH	THRUST COLLAR ASM. D=10.32 W=12				1
33	SS7121410TP	SCREW 3/16-28 L=14				1

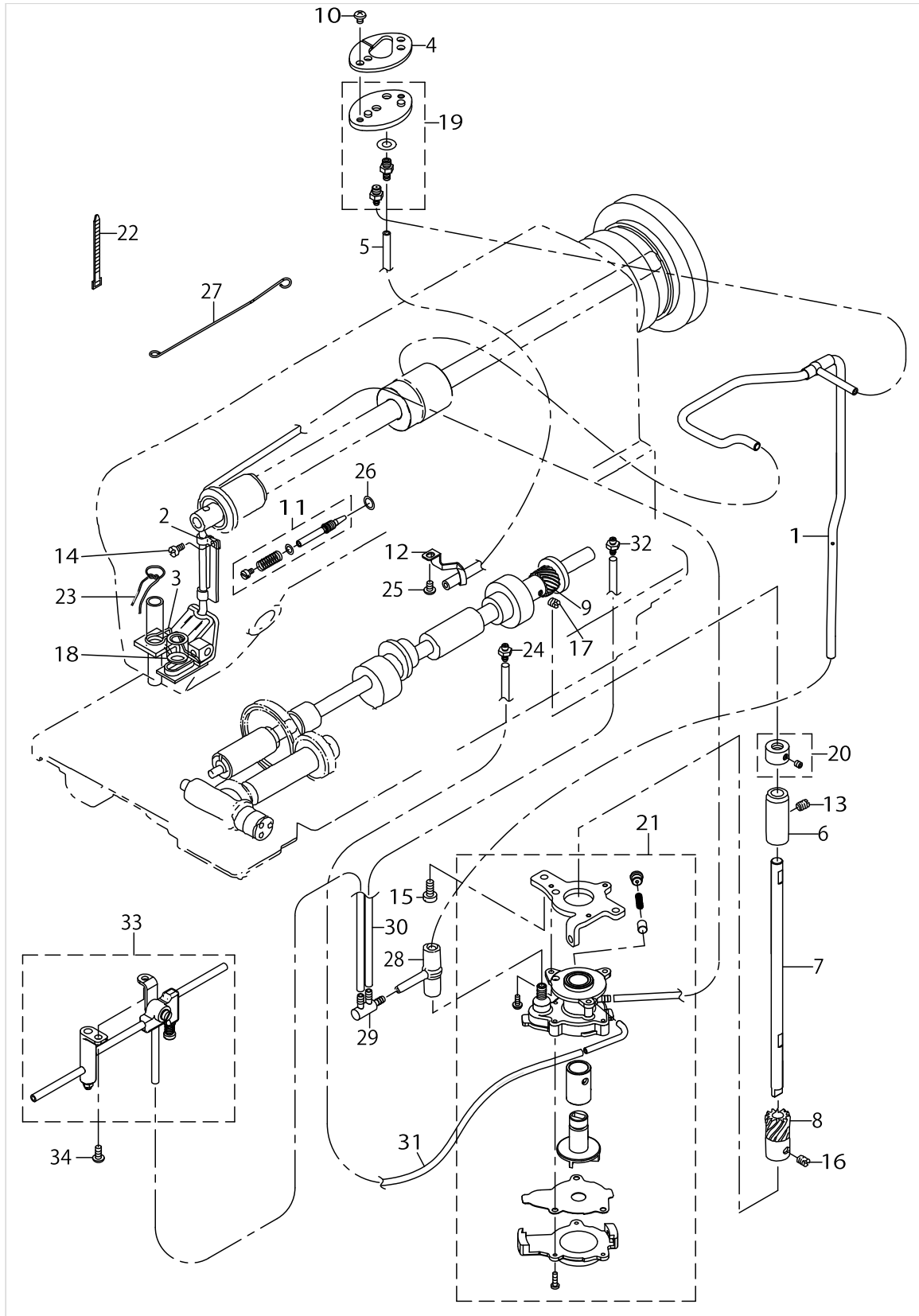
HOOK DRIVING SHAFT & HOOK COMPONENTS



HOOK DRIVING SHAFT & HOOK COMPONENTS

No.	Parts No.	Parts name	Remarks	Level	Cons	Qty
1	22525877	HOOK COMPL. V	FOR PLACE OF DESTINATION BB,GG		☆	1
2	40125500	HOOK SHAFT				1
3	40125501	HOOK_SHAFT_BUSHING_F				1
4	40125502	HOOK_SHAFT_BUSHING_R				1
5	10031615	BUSHING CAP				1
6	10031714	GASKET				1
7	23503402	INNER HOOK STOPPER				1
8	SS8150710SP	SCREW 15/64-28 L=7				1
9	SS6660710TP	SCREW 1/4-40 L=7				2
10	SS8150710SP	SCREW 15/64-28 L=7				3
11	SS8150822TP	SCREW 15/64-28 L=8				1
12	SB109530100	BEARING D=9.52X22.22				1
13	SS8660810TP	SCREW 1/4-40 L=8				2
14	SS8660810TP	SCREW 1/4-40 L=8				2
15	SS4080620TP	SCREW 1/8-44 L=6				2
16	SS4110915SP	SCREW 11/64-40 L=9				1
17	22916506	SET SCREW			☆	1
18	11015906	OIL WICK			☆	1
19	B13071550A0	GEAR ASM. LARGE				1
20	10030310	BUSHING REAR				1
21	10030401	HOOK DRIVING SHAFT SPROCKET				1
22	RO036080200	RUBBER RING			☆	1
23	10030104	BUSHING FRONT				1
24	10030609	HELICAL GEAR A_A	SELECTIVE PARTS			1
25	10030708	HELICAL GEAR A_B	SELECTIVE PARTS			1
26	10030807	HELICAL GEAR A_C	SELECTIVE PARTS			1
27	10030906	HELICAL GEAR A_D	SELECTIVE PARTS			1
28	26309609	BUSHING				1
29	26309708	SHAFT				1
30	40010305	HOOK DRIVING SHAFT				1
31	B13081550A0	PINION ASM.				1
32	22596704	BOBBIN S			☆	1
33	10030211	BUSHING				1
34	10031003	HELICAL GEAR B				1
35	40161000	HOOK_COMPL._VS	FOR PLACE OF DESTINATION AA		☆	1
36	40125507	BOBBIN CASE ASM.				1
37	13729702	BOBBIN CASE SPRING		*	☆	1
38	40125508	BOBBIN CASE COMPL.		*	☆	1
39	19800903	LC-601-1/ LATCH LEVER		*		1
40	19801000	LC-602-2/ LATCH		*		1
41	19801307	SMS-801-B/ SETSCREW PICK-UP		*		1
42	19801109	LSP-4/ LATCH SPRING		*		1
43	19801208	LFP-1/ LATCH PIN		*		1
44	19801406	TSP-604-B/ TENSION SPRING		*		1
45	19801505	SMS-608-B/ TENSION SCREW		*		1
46	19801604	SMS-609-B/ SETSCREW TENSION SPRING		*		1

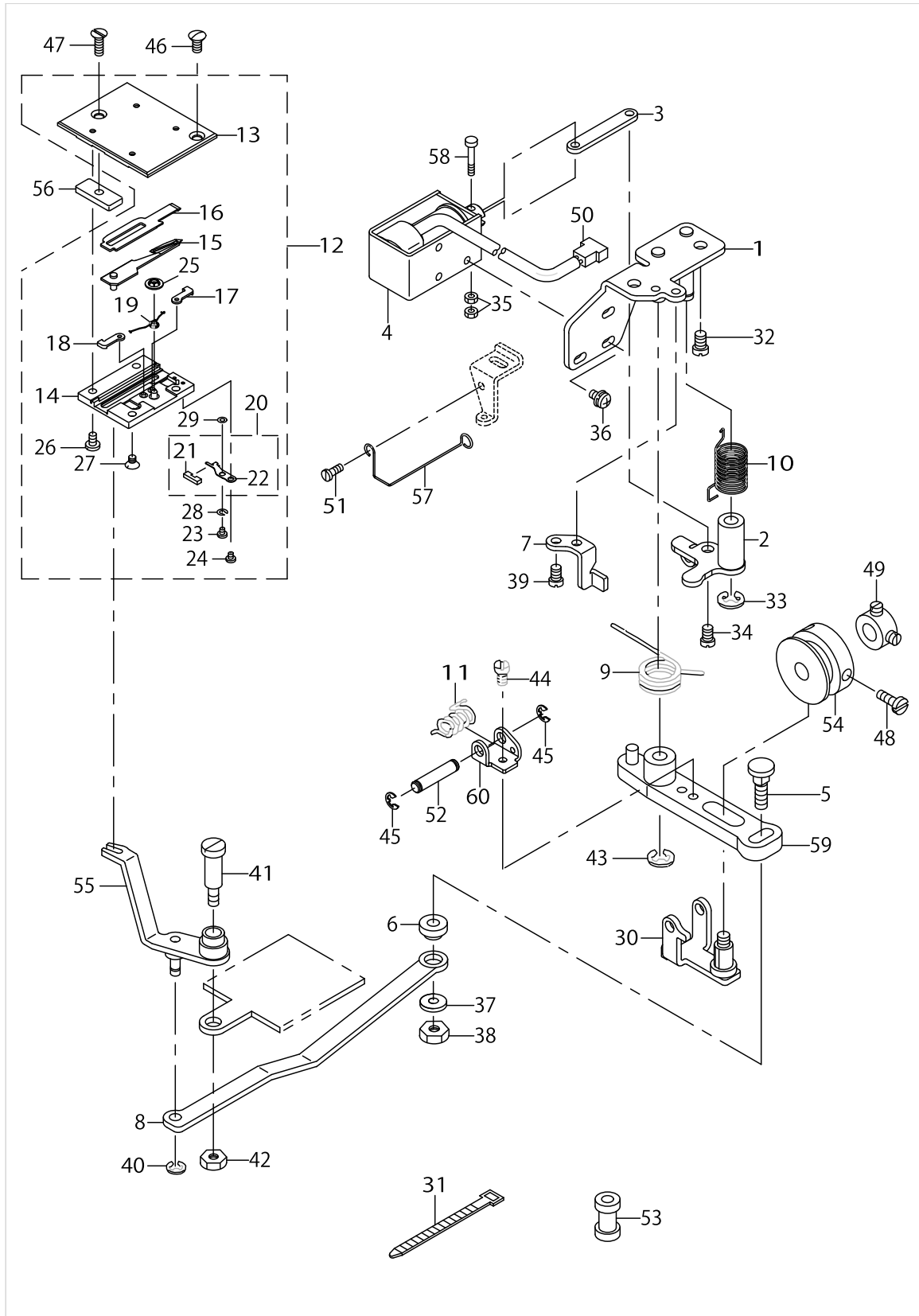
LUBRICATION COMPONENTS



LUBRICATION COMPONENTS

No.	Parts No.	Parts name	Remarks	Level	Cons	Qty
1	40125511	MAIN_SHAFT_OIL_PIPE_ASM.				1
2	40125515	FELT_ASM.				1
3	40125699	FELT_PRESSER				1
4	40070261	GASKET				1
5	BP30000010R	VINYL PIPE				0.3
6	10035301	BUSHING				1
7	40101461	UPRIGHT SHAFT				1
8	10035111	PUMP DRIVING GEAR				1
9	10035004	PUMP DRIVING GEAR A				1
10	SS4110515SP	SCREW 11/64-40 L=5				2
11	40135266	SCREW_ASM				1
12	40009373	OIL FELT GUIDE				1
13	SS8150710SP	SCREW 15/64-28 L=7				1
14	SS4110715SP	SCREW 11/64-40 L=7				1
15	SS6111140SP	SCREW 11/64-40 L=11				2
16	SS8660530TP	SCREW 1/4-40 L=4.5				2
17	SS8660530TP	SCREW 1/4-40 L=4.5				2
18	CQ202000000	OIL WICK				0.2
19	40070259	OIL_TANK_ASM.				1
20	22917058	THRUST COLLAR ASM. FRONT				1
21	40125513	OIL_PUMP_ASM.				1
22	EA9500B0100	CABLE BAND				5
23	CQ202000000	OIL WICK				0.2
24	SQ1110402MZ	CONNECTING SCREW				1
25	SS4110615SP	SCREW 11/64-40 L=6				1
26	RO029180100	RUBBER RING				1
27	40125667	PIPE HOLDER				1
28	22924609	RUBBER JOINT				1
29	23629504	DISTRIBUTOR				1
30	23630007	TUBE				0.08
31	23630007	TUBE				0.06
32	SQ1110402MZ	CONNECTING SCREW				1
33	40125516	OIL_REGULATING_BASE_ASM.				1
34	SS4110915SP	SCREW 11/64-40 L=9				1

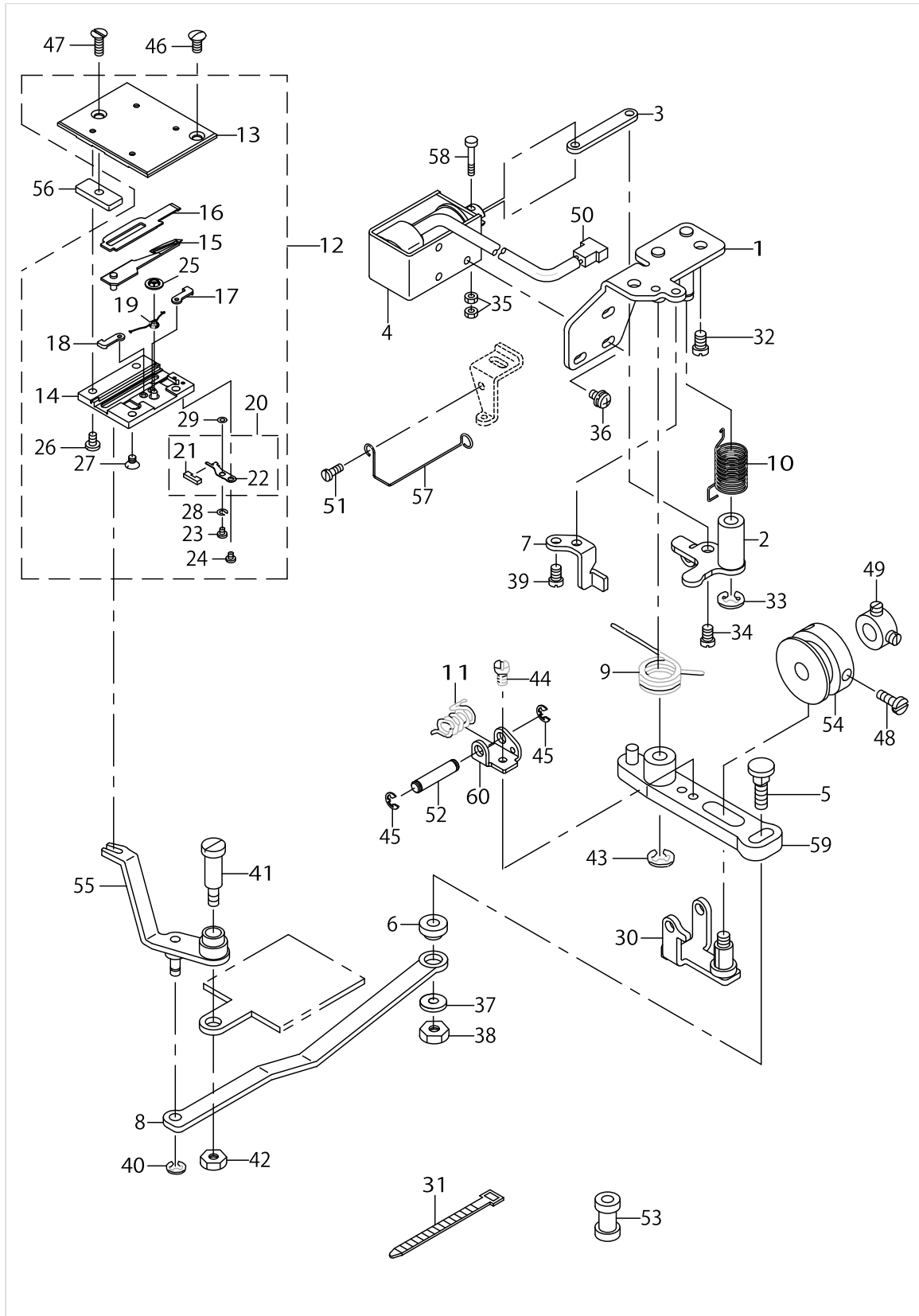
THREAD TRIMMER MECHANISM COMPONENTS



THREAD TRIMMER MECHANISM COMPONENTS

No.	Parts No.	Parts name	Remarks	Level	Cons	Qty
1	22554158	BASE PLATE ASM.				1
2	40125531	ASSY CLUTCH PLATE				1
3	22554505	CLUTCH LINK				1
4	40106079	THREAD_TRIMMER_SOLENOID				1
5	40010295	MOVING KNIFE LINK PIN				1
6	22554802	MOVING KNIFE LINK BASE				1
7	22554901	DRIVING ARM STOPPER				1
8	22555007	MOVING KNIFE LINK				1
9	22555106	KNIFE RETURN SPRING				1
10	22555205	CLUTCH SPRING				1
11	22555304	ROLLER RETURN SPRING				1
12	22557458	KNIFE UNIT				1
13	22558308	SLIDING PLATE		*		1
14	22558407	KNIFE BASE		*		1
15	22557557	DRIVING KNIFE ASM.		*	☆	1
16	22557706	FIXED KNIFE		*	☆	1
17	22557805	KNIFE STOPPER (RIGHT)		*	☆	1
18	22557904	KNIFE STOPPER (LEFT)		*	☆	1
19	22558209	SPRING		*	☆	1
20	22558159	CLAMP PLATE ASM.		*		1
21	22558001	FELT		*	☆	1
22	22558100	CLAMP PLATE		*	☆	1
23	SS7060310SP	SCREW 3/32-56 L=3		*		1
24	SS7060310SP	SCREW 3/32-56 L=3		*		1
25	NP210300000	LOCATING SPRING WASHER		*	☆	1
26	SS7090610SP	SCREW 9/64-40 L=6		*		2
27	SS1090510SP	SCREW 9/64-40 L=5		*		2
28	WS0270002KN	SPRING WASHER M2.6		*		1
29	D2056772B0B	WASHER B T=0.4		*		1
30	22555858	ROLLER ARM ASM.				1
31	EA9500B0100	CABLE BAND				3
32	SS4150915SP	SCREW 15/64-28 L=9				2
33	RE0600000K0	E-RING 6				1
34	SD0600291TP	HINGE SCKEW D=6 H=2.9				1
35	NM6030001SB	NUT M3				2
36	SL4040881SC	SCREW M4 L=8				3
37	WP0621016SH	WASHER				1
38	NS6150430SP	NUT 15/64-28				1
39	SS4110915SP	SCREW 11/64-40 L=9				2
40	RE0500000K0	E-RING				1
41	SD0791503SP	HINGE SCREW D=7.94 H=15				1
42	NS6150310SP	NUT 15/64-28				1
43	RE0600000K0	E-RING 6				1
44	SS7090610SP	SCREW 9/64-40 L=6				1
45	RE0400000K0	E-RING 4				2
46	SS2110920TP	SCREW 11/64-40 L=8.5				1
47	SS2111010TP	SCREW 11/64-40 L=9.5				1

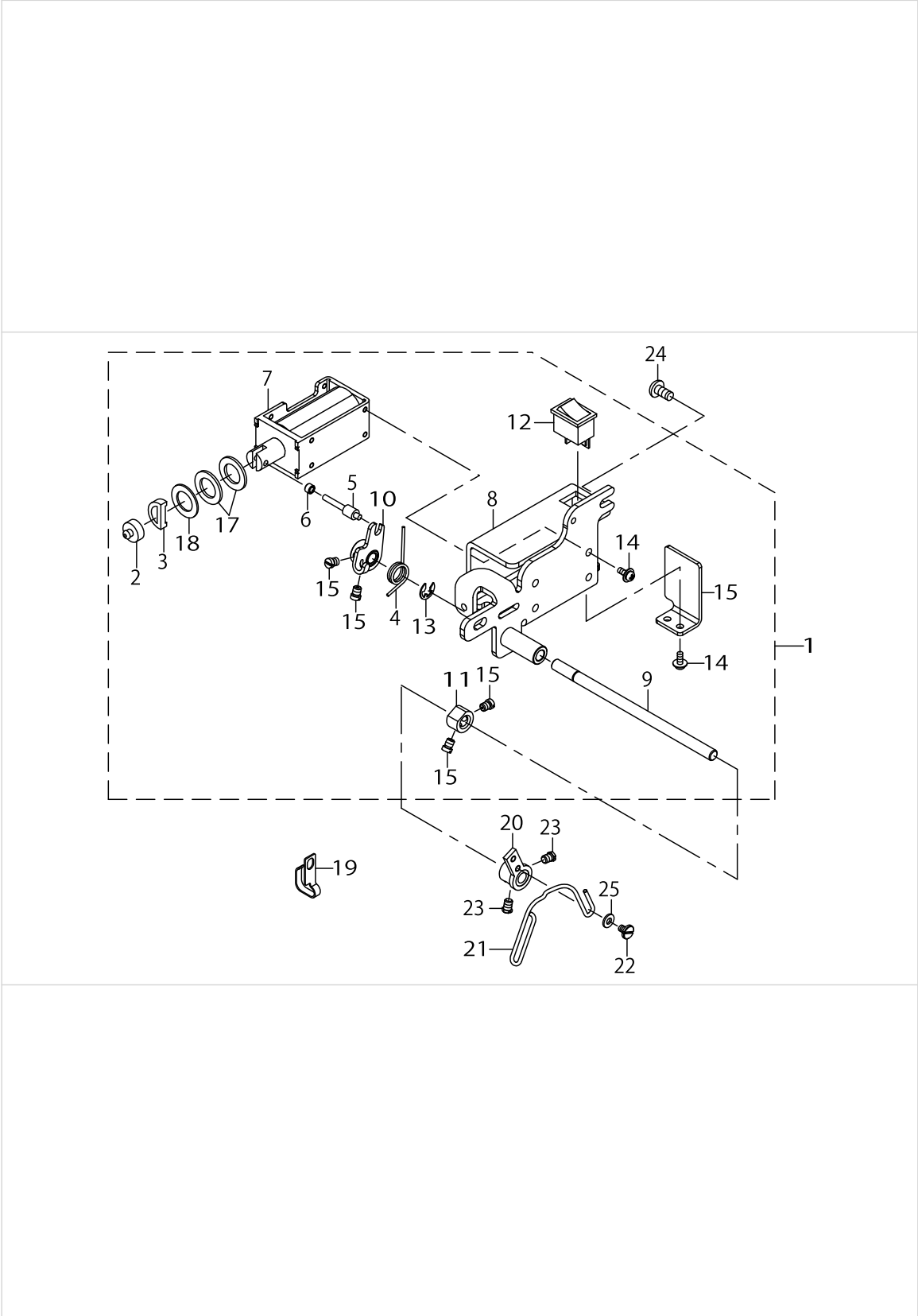
THREAD TRIMMER MECHANISM COMPONENTS



THREAD TRIMMER MECHANISM COMPONENTS

No.	Parts No.	Parts name	Remarks	Level	Cons	Qty
48	SS6660710TP	SCREW 1/4-40 L=7				2
49	CS095101BSH	THRUST COLLAR ASM. D=9.53 W=10				1
50	HK00443002A	HOUSING 2P				1
51	SS4110615SP	SCREW 11/64-40 L=6				1
52	22949101	ROLLER FULCRUM SHAFT				1
53	D2467555B00	RUBBER PLUG			☆	2
54	22558506	THREAD CUTTING CAM B				1
55	22555551	FORK KNIFE ASM.				1
56	22556906	FIXED PLATE				1
57	22557003	CORD PRESSER				1
58	23542418	CLUTCH LINK PIN				1
59	22948558	KNIFE DRIVING ARM ASM.				1
60	22949002	ROLLER ARM SEAT				1

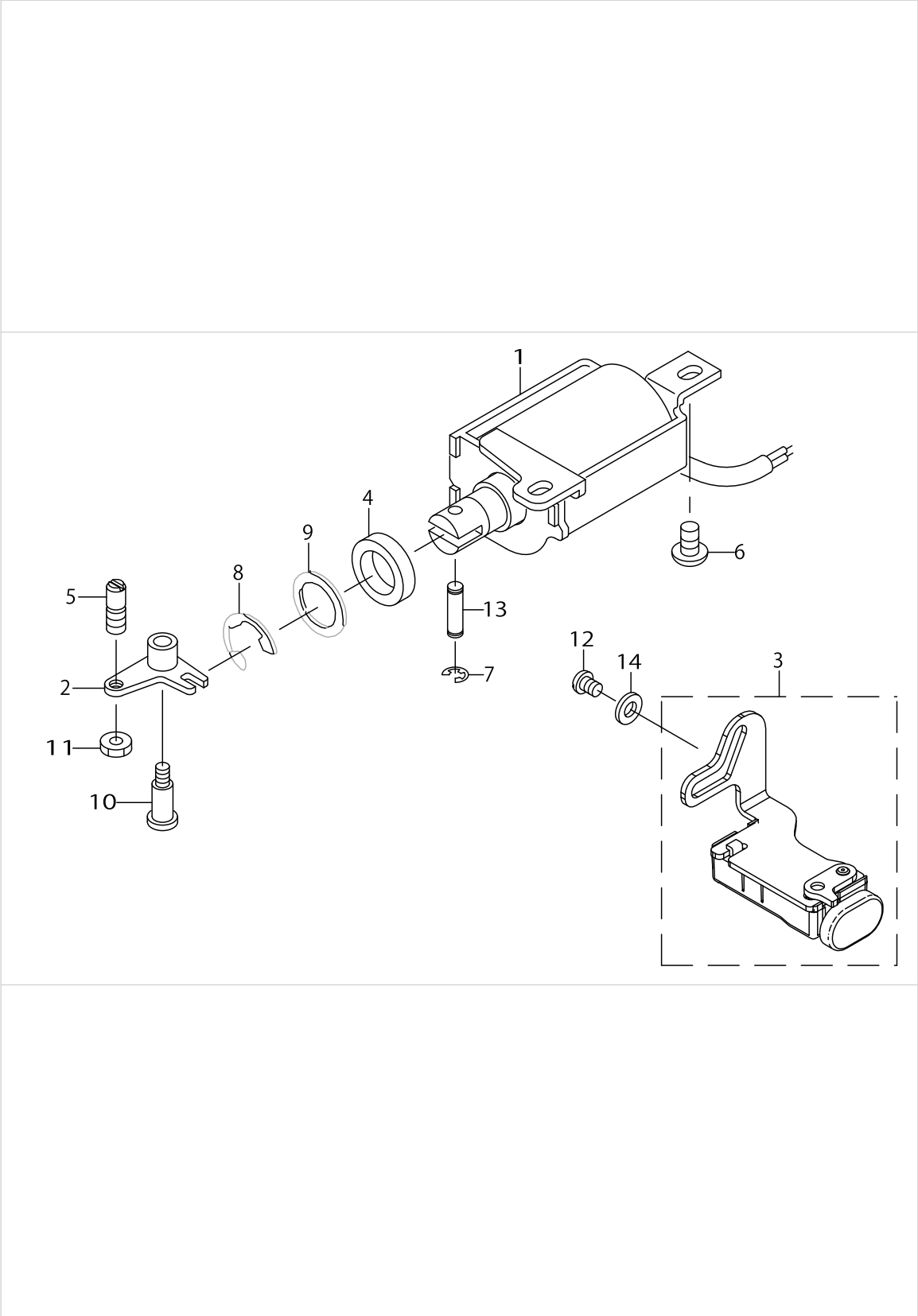
UPPER THREAD FEEDER COMPONENTS



UPPER THREAD FEEDER COMPONENTS

No.	Parts No.	Parts name	Remarks	Level	Cons	Qty
1	40125550	THREAD_FEEDER_ASM.				1
2	22955900	WIPER RUBBER A		*		1
3	22956007	WIPER RUBBER B		*		1
4	22956304	WIPER SPRING		*		1
5	22957104	WIPER SOLENOID SHAFT		*		1
6	22957203	WIPER LINK COLLAR		*		1
7	40106939	WIPER SOLENOID ASM.		*		1
8	40125551	SOLENOID_SETTING_PLATE_ASM.		*		1
9	40125554	FEED_LEVER_SHAFT		*		1
10	40125555	FEED_LEVER_ASM.		*		1
11	CS0640863SH	THRUST COLLAR D=6.35 W=8		*		1
12	HA00600000A	SWITCH		*		1
13	RE0500000KP	E-RING 5		*		1
14	SL4030881SF	SCREW M3 L=8		*		6
15	SS7110540SP	SCREW 11/64-40 L=5		*		4
16	40125655	SWITCH_COVER		*		1
17	11234408	SOLENOID RUBBER		*		2
18	WP1221016SP	WASHER		*		1
19	40022407	CORD HOLDER				1
20	22564959	FITTING PLATE COMPL.				1
21	40125559	FEED_WIRE				1
22	SS6090540SP	SCREW 9/64-40 L=5.0				2
23	SS9110620TP	SCREW				2
24	SS4120915SP	SCREW 3/16-28 L=9				2
25	WP0371016SD	WASHER 3.7X8X1				2

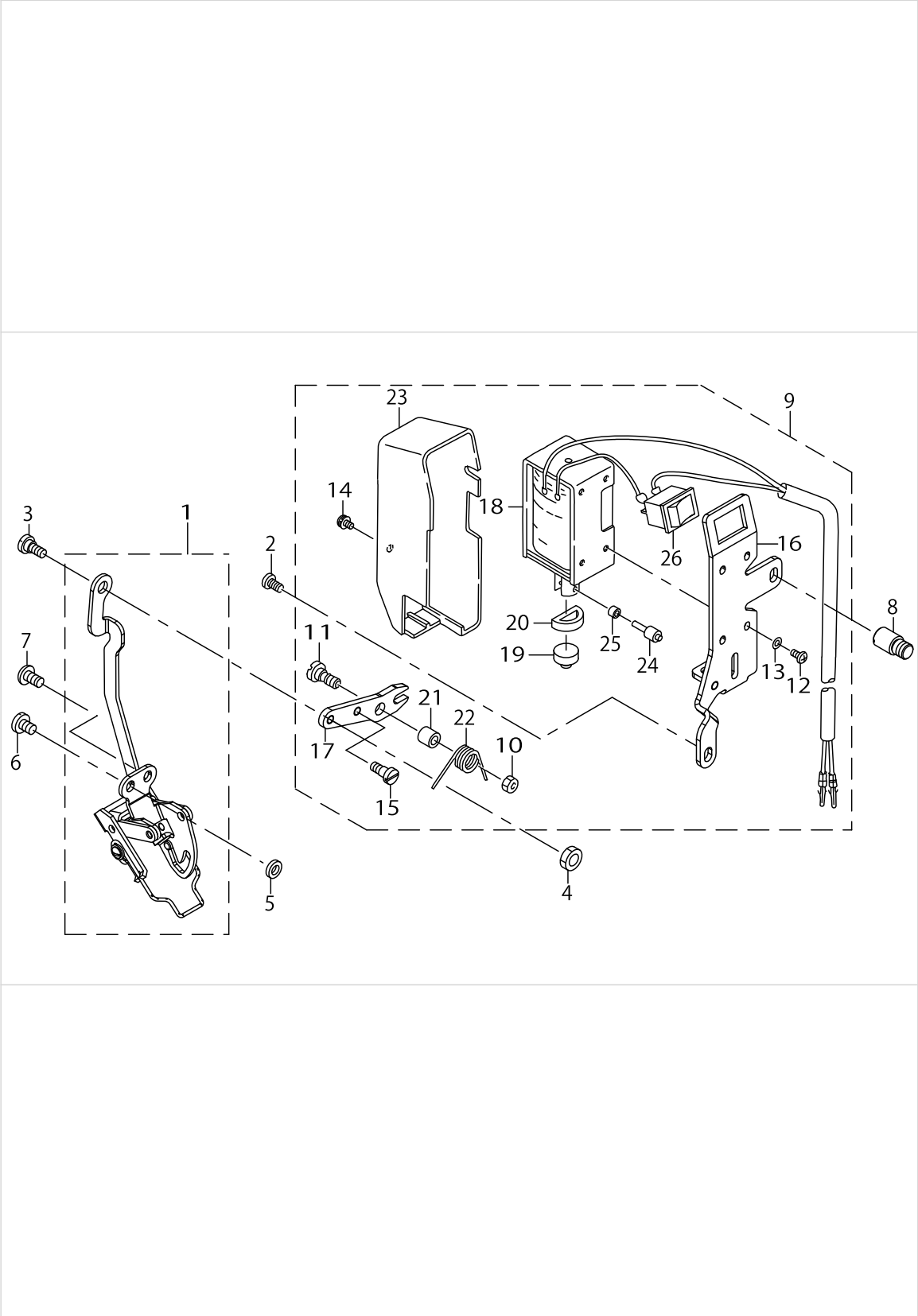
AUTOMATIC REVERSE FEED MECHANISM COMPONENTS



AUTOMATIC REVERSE FEED MECHANISM COMPONENTS

No.	Parts No.	Parts name	Remarks	Level	Cons	Qty
1	40108060	REVERSE FEED SOLENOID ASM.				1
2	22544159	REVERSE FEED MAGNET LINK				1
3	40125566	TOUCH_BACK_SWITCH_BASE ASM.				1
4	D2468555B00	RUBBER PLUNGER				1
5	40125568	SCREW				1
6	SS4150915SP	SCREW 15/64-28 L=9				2
7	RE0400000K0	E-RING 4				2
8	RE1200000K0	E-RING 12				1
9	WP1602616SZ	WASHER 16X24X2.6				1
10	SD0791503SP	HINGE SCREW D=7.94 H=15				1
11	NS6150310SP	NUT 15/64-28				1
12	SS4120615SP	SCREW 3/16-28 L=6				2
13	11101003	PLUNGER ARM PIN				1
14	11529914	WASHER				2

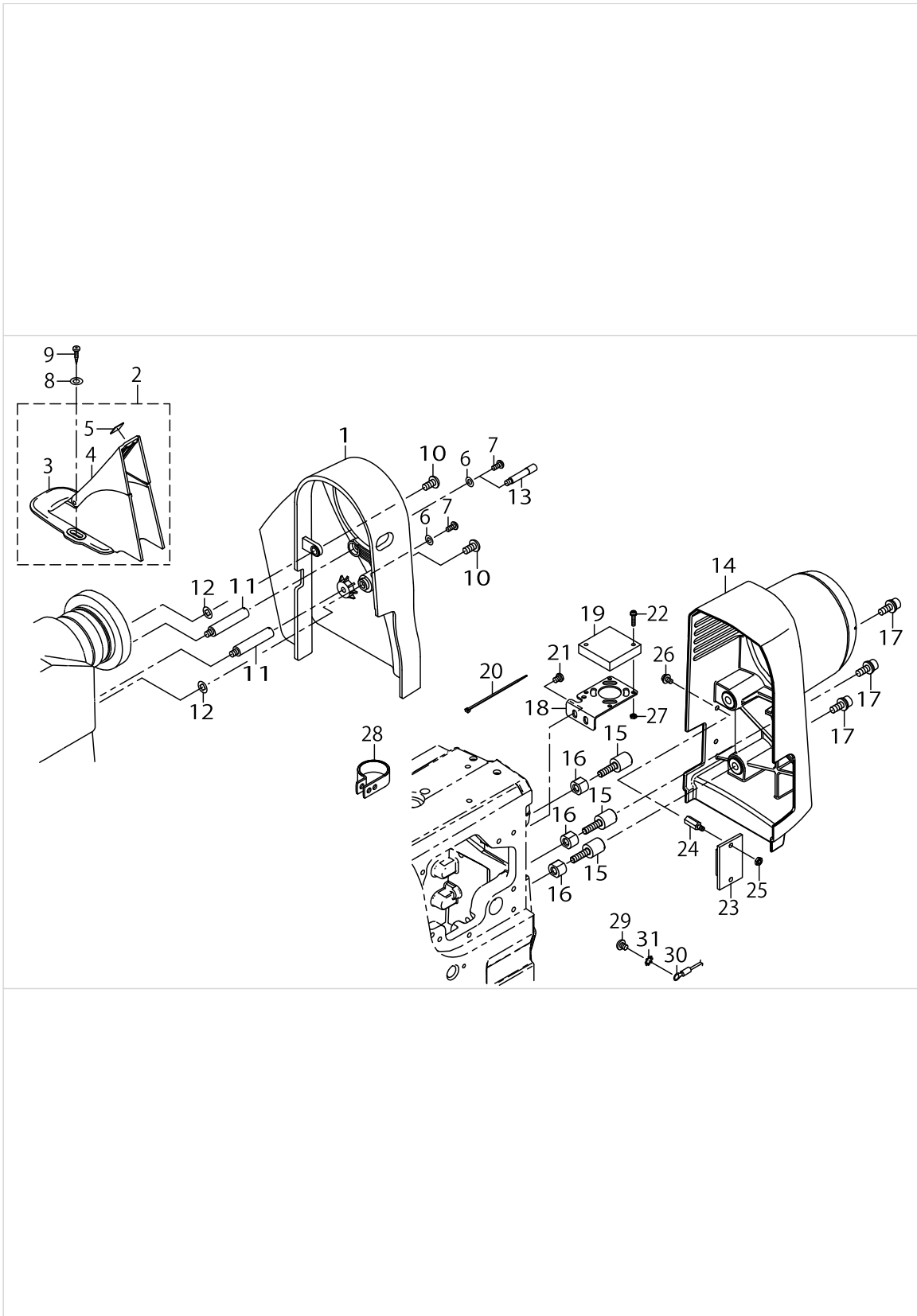
WIPER MECHANISM COMPONENTS



WIPER MECHANISM COMPONENTS

No.	Parts No.	Parts name	Remarks	Level	Cons	Qty
1	40125649	WIPER ASM.				1
2	SS4120615SP	SCREW 3/16-28 L=6				2
3	SD0600271SP	HINGE SCREW D=6 H=2.7				1
4	NS6110310SP	NUT 11/64-40				1
5	40021606	WASHER(B)				1
6	SS7120710SP	SCREW 3/16-28 L=7				1
7	SS4120915SP	SCREW 3/16-28 L=9				1
8	40125647	STUD				1
9	40125648	SOLENOID ASM.				1
10	NS6110310SP	NUT 11/64-40		*		1
11	SD0650321TP	HINGE SCREW D=6.5 H=3.2		*		1
12	SM4030601SN	SCREW M3X6		*		4
13	WS0310002KP	SPRING WASHER		*		4
14	SL4030631SC	SCREW M3X6		*		1
15	SD0500481TP	HINGE SCREW D=5 H=4.8		*		1
16	40125645	WIPER BASE		*		1
17	22562201	WIPER LINK		*		1
18	40106936	WIPER SOLENOID ASM.		*		1
19	22955900	WIPER RUBBER A		*		1
20	22956007	WIPER RUBBER B		*		1
21	22956205	WIPER HINGE SCREW COLLAR		*		1
22	22956304	WIPER SPRING		*		1
23	22955504	WIPER COVER		*		1
24	22957104	WIPER SOLENOID SHAFT		*		1
25	22957203	WIPER LINK COLLAR		*		1
26	HA00600000A	SWITCH		*		1

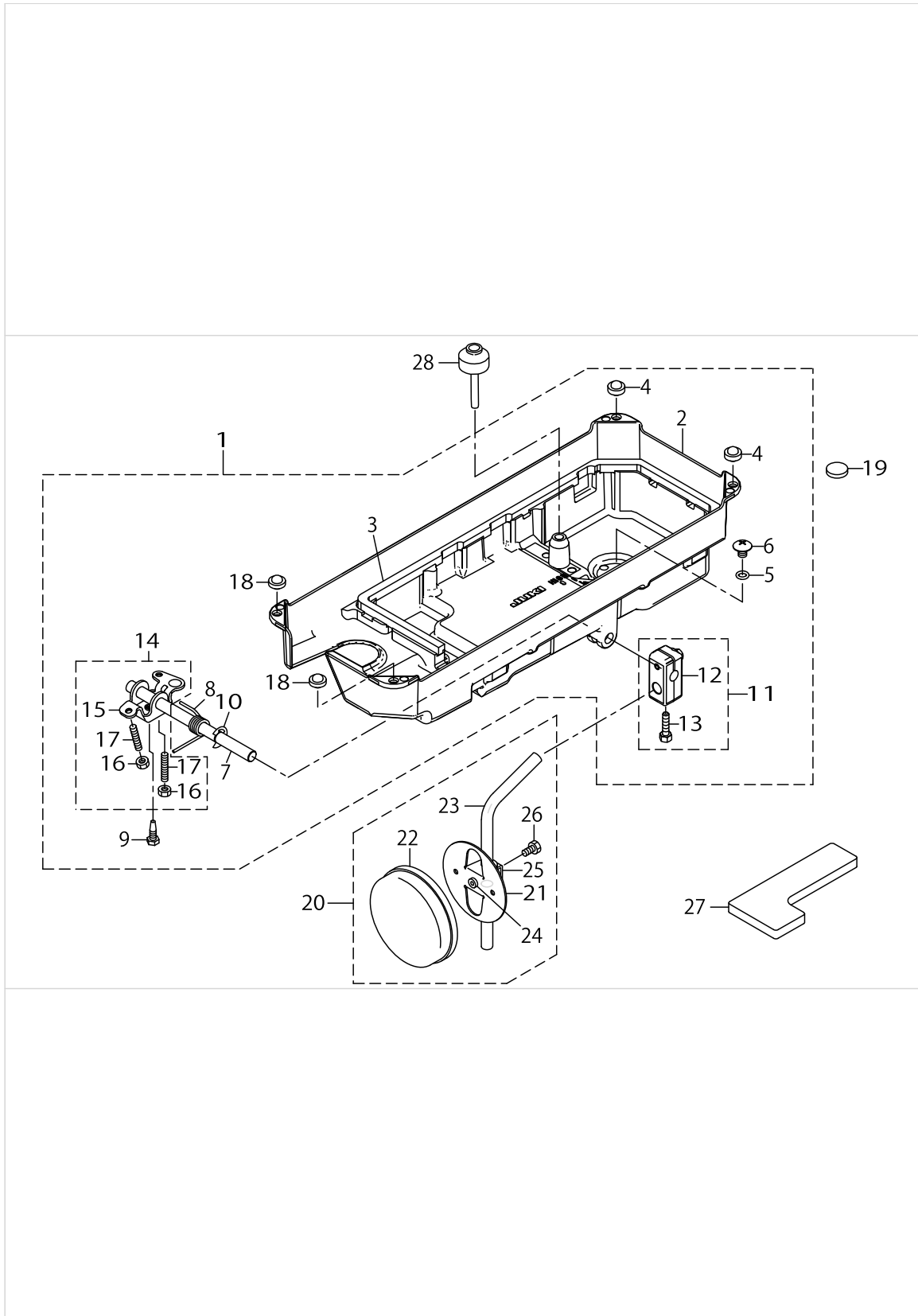
COVER COMPONENTS



COVER COMPONENTS

No.	Parts No.	Parts name	Remarks	Level	Cons	Qty
1	26319400	BELT COVER A				1
2	26319558	BELT COVER B COMPL.				1
3	26319509	BELT COVER B		*		1
4	26319608	BELT COVER C		*		1
5	26319806	VIBROISOLATING RUBBER		*		1
6	WP0450801SD	WASHER 4.5X10X0.8				2
7	SS4110915SP	SCREW 11/64-40 L=9				2
8	WP0450826SC	WASHER 4.5X10X0.8				2
9	SK3412001SE	WOOD SCREW D=4.1 L=20				2
10	SS4151215SP	SCREW 15/64-28 L=12				2
11	40101337	BELT COVER SUPPORT STUD				2
12	22535603	WASHER				2
13	22535454	SYNCHRONIZER SUPPORT ASM.	SPECIAL ORDER PARTS			1
14	40125440	MOTOR_COVER	FOR LZ-2284A*0B,LZ-2284AT00, LZ-2284AT			1
15	40091183	STUD_A	FOR LZ-2284A*0B,LZ-2284AT00, LZ-2284AT			3
16	40091184	STUD_B	FOR LZ-2284A*0B,LZ-2284AT00, LZ-2284AT			3
17	SL6061692TN	BOLT	FOR LZ-2284A*0B,LZ-2284AT00, LZ-2284AT			3
18	40125464	FAN_BASE	FOR LZ-2284A*0B,LZ-2284AT00, LZ-2284AT			1
19	40064283	HOOK FAN MOTOR ASSY	FOR LZ-2284A*0B,LZ-2284AT00, LZ-2284AT			1
20	EA9500B0100	CABLE BAND				1
21	SS4120615SP	SCREW 3/16-28 L=6	FOR LZ-2284A*0B,LZ-2284AT00, LZ-2284AT			2
22	SL4031681SC	SCREW M3X16	FOR LZ-2284A*0B,LZ-2284AT00, LZ-2284AT			2
23	40125660	SENSOR PCB ASSY	FOR LZ-2284A*0B,LZ-2284AT00, LZ-2284AT			1
24	E3724715000	VCS STUD_A	FOR LZ-2284A*0B,LZ-2284AT00, LZ-2284AT			2
25	NM6040003SC	NUT M4	FOR LZ-2284A*0B,LZ-2284AT00, LZ-2284AT			2
26	SL4040891SC	SCREW M4 L=8	FOR LZ-2284A*0B,LZ-2284AT00, LZ-2284AT			2
27	NM6030003SC	NUT M3				2
28	EA9502B0300	NYLON CRAMP				1
29	SS4120615SP	SCREW 3/16-28 L=6				1
30	22951552	GROUND WIRE ASM.				1
31	WT0530002KS	TOOTHED WASHER D=5.3				1

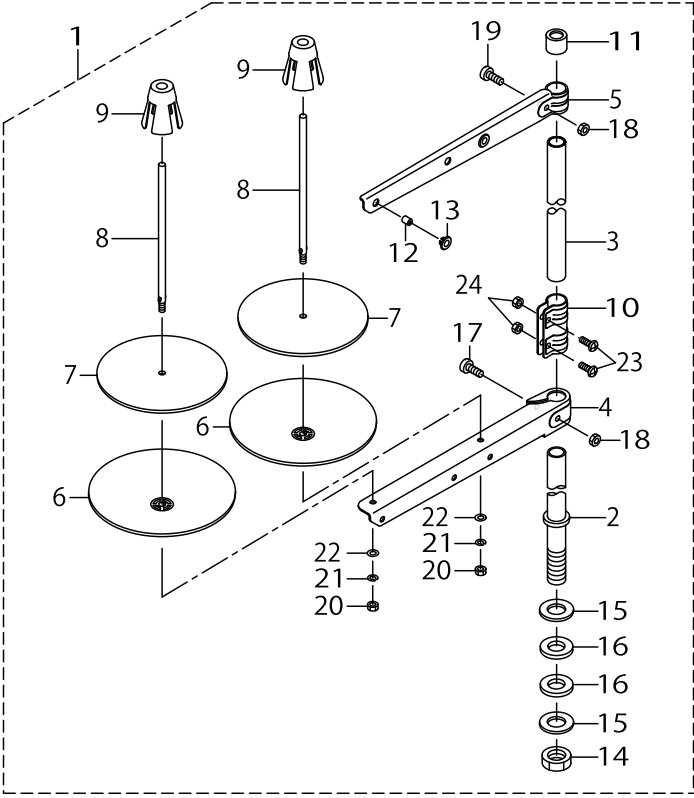
OIL RESERVOIR & KNEE LIFTER COMPONENTS



OIL RESERVOIR & KNEE LIFTER COMPONENTS

No.	Parts No.	Parts name	Remarks	Level	Cons	Qty
1	40125584	OIL RESERVOIR ASM.				1
2	40125583	OIL RESERVOIR		*		1
3	40125586	OIL RESERVOIR GASKET		*		2
4	22932008	RUBBER CUSHION		*		2
5	13170105	RUBBER RING		*		1
6	13171004	DRAIN SCREW		*		1
7	22932305	KNEE PRESS CROSS SHAFT		*		1
8	22932206	SPRING		*		1
9	SM9061853SR	SCREW M6 L=17.5		*		1
10	RE1000000K0	E-RING 10		*		1
11	22932453	BRACKET ASM.		*		1
12	22932404	BRACKET		*		1
13	22934707	SCREW		*		2
14	22932156	KNEE LIFTER ROTATION ARM ASM.		*		1
15	22932107	KNEE LIFTING ROTATING ARM		*		1
16	NM6060001SE	NUT M6		*		2
17	SM8063012TR	SCREW M6 L=30		*		2
18	10162600	RUBBER CUSHION		*		2
19	B8228125000	OIL RESERVOIR MAGNET				1
20	22934251	KNEE PAD PLATE ASM.				1
21	22934202	KNEE PAD PLATE		*		1
22	22934509	KNEE PAD PLATE COVER		*		1
23	22934608	KNEE PAD UPRIGHT SHAFT		*		1
24	22934400	KNEE PAD PLATE RUBBER		*		1
25	22934301	KNEE PAD PLATE SUPPORT		*		1
26	SM9061203SE	SCREW M6 L=12		*		1
27	22534101	OIL RESERVOIR BASE				1
28	B3421555000	KNEE PRESS LIFTER ROD				1

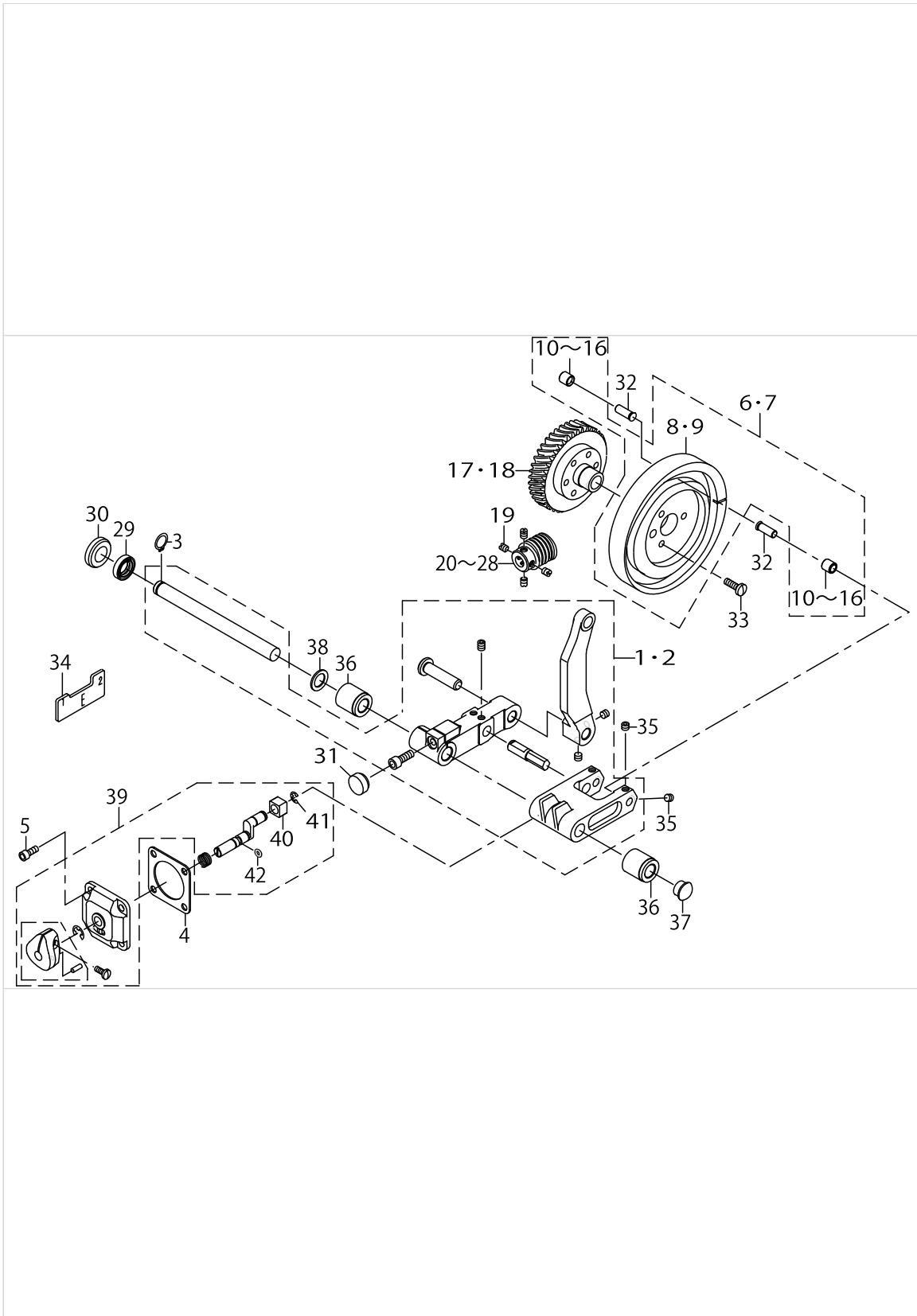
THREAD STAND COMPONENTS



THREAD STAND COMPONENTS

No.	Parts No.	Parts name	Remarks	Level	Cons	Qty
1	40096354	THREAD STAND ASM.				1
2	40085784	SPOOL REST ROD LOWER		*		1
3	40085785	SPOOL REST ROD UPPER		*		1
4	40085786	SPOOL REST ARM LOWER		*		1
5	40085787	SPOOL REST ARM UPPER		*		1
6	40085788	SPOOL REST		*		2
7	40085789	SPOOL REST CUSHION		*		2
8	40085790	SPOOL PIN		*		2
9	40085791	SPOOL RETAINER		*		2
10	40085792	SPOOL REST ROD JOINT		*		1
11	40085793	SPOOL REST ROD RUBBER CAP		*		1
12	40085794	THREAD GUIDE		*		2
13	40085795	THREAD GUIDE BUSHING		*		2
14	40096325	SPOOL REST ROD NUT		*		1
15	WP1612616SE	WASHER 16X30X2.6		*		2
16	40085796	SPOOL REST ROD RUBBER CUSHION		*		2
17	40096326	SPOOL REST ARM LOWER SCREW		*		1
18	NM6050001SE	NUT M5		*		2
19	40096327	SPOOL REST ARM UPPER SCREW		*		1
20	NM6050001SE	NUT M5		*		2
21	WS0510002KN	SPRING WASHER M5		*		2
22	WP0531001SC	WASHER M5		*		2
23	SM4051405SE	SCREW M5 L=14		*		2
24	NM6050001SE	NUT M5		*		2

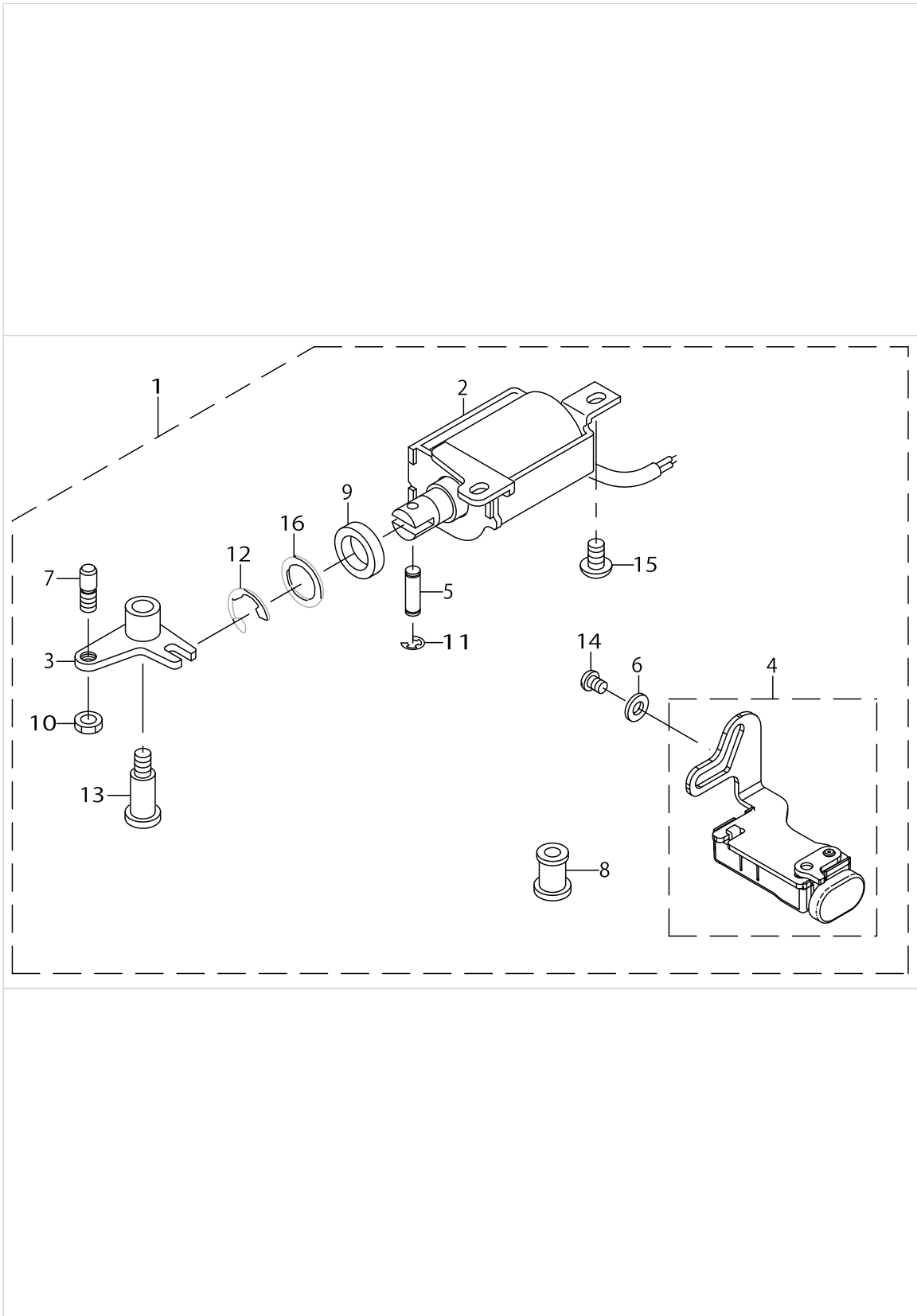
EXCLUSIVE PARTS FOR LZ-2284A(-7),LZ-2287A (1)



EXCLUSIVE PARTS FOR LZ-2284A(-7),LZ-2287A (1)

No.	Parts No.	Parts name	Remarks	Level	Cons	Qty
1	40125598	NEEDLE_DRIVING_ARM_ASM.	FOR LZ-2284A(-7)			1
2	40125590	NEEDLE_DRIVING_ARM_ASM.	FOR LZ-2287A			1
3	RC0100001KP	SNAP RING M10				1
4	22501704	GASKET			☆	1
5	SS6111052TP	SCREW				4
6	40125626	NEEDLE_CAM_ASM._84				1
7	40125627	NEEDLE_CAM_ASM._87	FOR LZ-2287A			1
8	40125595	NEEDLE_CAM_6		*		1
9	40125594	NEEDLE_CAM_24	FOR LZ-2287A	*		1
10	40064313	NEEDLE CAM ROLLER A	SELECTIVE PARTS	*	☆	2
11	40064314	NEEDLE CAM ROLLER B	SELECTIVE PARTS	*	☆	2
12	40064315	NEEDLE CAM ROLLER C	SELECTIVE PARTS	*	☆	2
13	40064316	NEEDLE CAM ROLLER D	SELECTIVE PARTS	*	☆	2
14	40064317	NEEDLE CAM ROLLER E	SELECTIVE PARTS	*	☆	2
15	40064319	NEEDLE CAM ROLLER F	SELECTIVE PARTS	*	☆	2
16	40064320	NEEDLE CAM ROLLER G	SELECTIVE PARTS	*	☆	2
17	22585657	WORM WHEEL COMPL.	FOR LZ-2284A(-7)			1
18	40125599	WORM_WHEEL_COMPL.	FOR LZ-2287A			1
19	SS8660610TP	SCREW 1/4-40 L=6				4
20	22527006	WORM A	FOR LZ-2284A(-7)			1
21	22527105	WORM B	FOR LZ-2284A(-7)			1
22	22527204	WORM C	FOR LZ-2284A(-7)			1
23	22527303	WORM D	FOR LZ-2284A(-7)			1
24	40125621	WORM_A	FOR LZ-2287A			1
25	40125622	WORM_B	FOR LZ-2287A			1
26	40125623	WORM_C	FOR LZ-2287A			1
27	40125624	WORM_D	FOR LZ-2287A			1
28	40125625	WORM_E	FOR LZ-2287A			1
29	13338900	OIL SEAL			☆	1
30	TA2200502R0	RUBBER PLUG			☆	1
31	TA1470702R0	RUBBER PLUG			☆	1
32	26313700	NEEDLE CAM ROLLER SHAFT			☆	2
33	SS7111410TP	SCREW 11/64-40 L=14				3
34	22536502	TIMING GAUGE E				1
35	SM8050412TP	SCREW M5 L=4				4
36	12308300	METAL FRONT				2
37	TA1100604R0	PLUG			☆	1
38	B1637560000	WASHER				1
39	40078331	CHANGE OVER BASIS ASM.				1
40	40078335	CHANGE OVER BLOCK		*	☆	1
41	RE0400000K0	E-RING 4		*	☆	1
42	RO029180100	RUBBER RING		*	☆	1

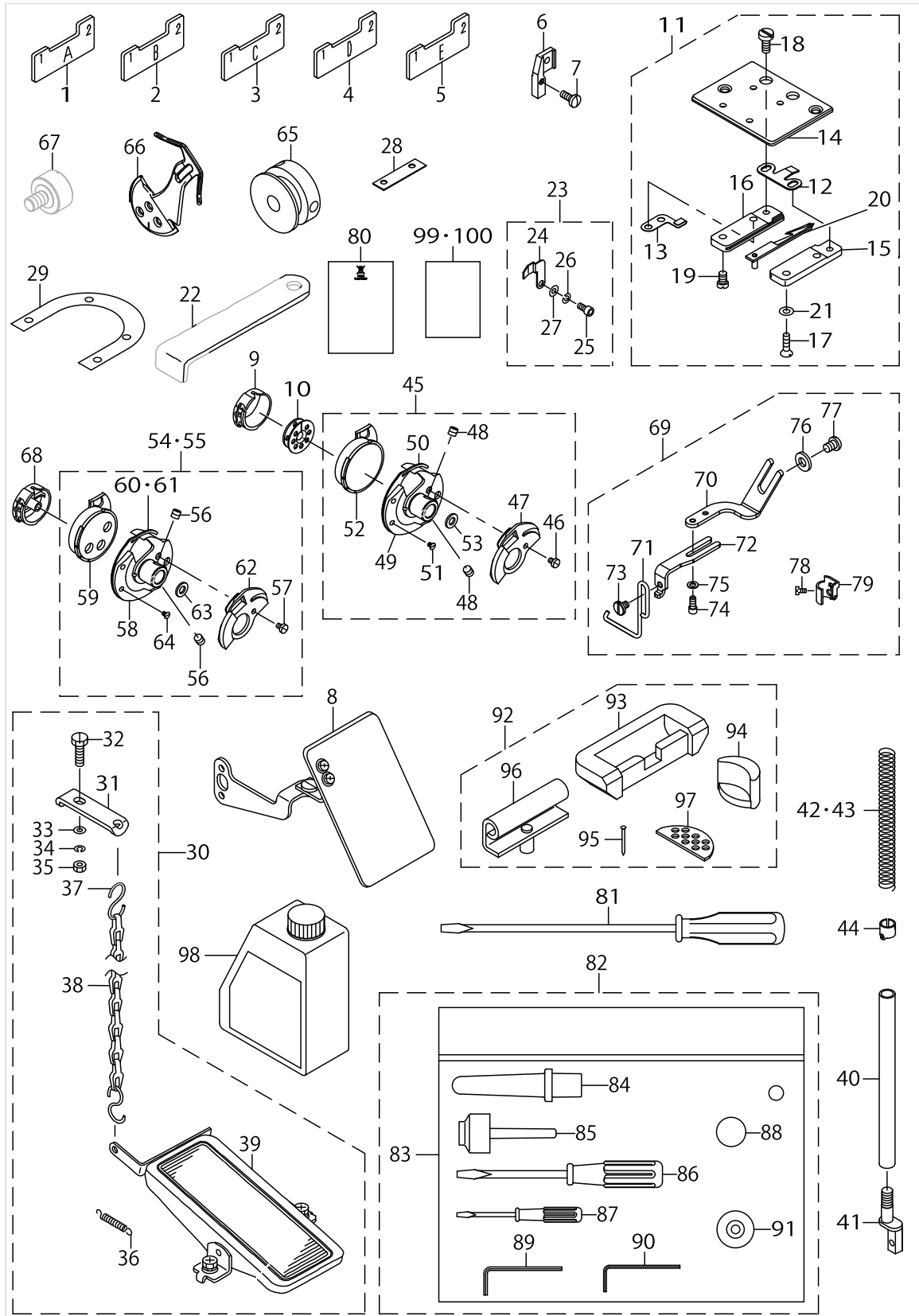
SPECIAL ORDER PARTS (1)



SPECIAL ORDER PARTS (1)

No.	Parts No.	Parts name	Remarks	Level	Cons	Qty
1	40135177	AUTOMATIC BACK MACHINE			☆	1
2	40108060	REVERSE FEED SOLENOID ASM.		*		1
3	22544159	REVERSE FEED MAGNET LINK ASM.		*		1
4	40125566	REVERSE FEED SWITCH ASM.		*		1
5	22953509	REVERSE FEED PLUNGER ARM PIN		*		1
6	11529914	WASHER		*		2
7	40125568	SCREW		*		1
8	D2467555B00	RUBBER PLUG		*		1
9	D2468555B00	RUBBER PLUNGER		*		1
10	NS6150310SP	NUT 15/64-28		*		1
11	RE0400000K0	E-RING 4		*		2
12	RE1200000K0	E-RING 12		*		1
13	SD0791503SP	HINGE SCREW D=7.94 H=15		*		1
14	SS4120615SP	SCREW 3/16-28 L=6		*		2
15	SS4150915SP	SCREW 15/64-28 L=9		*		2
16	WP1602616SZ	WASHER 16X24X2.6		*		1

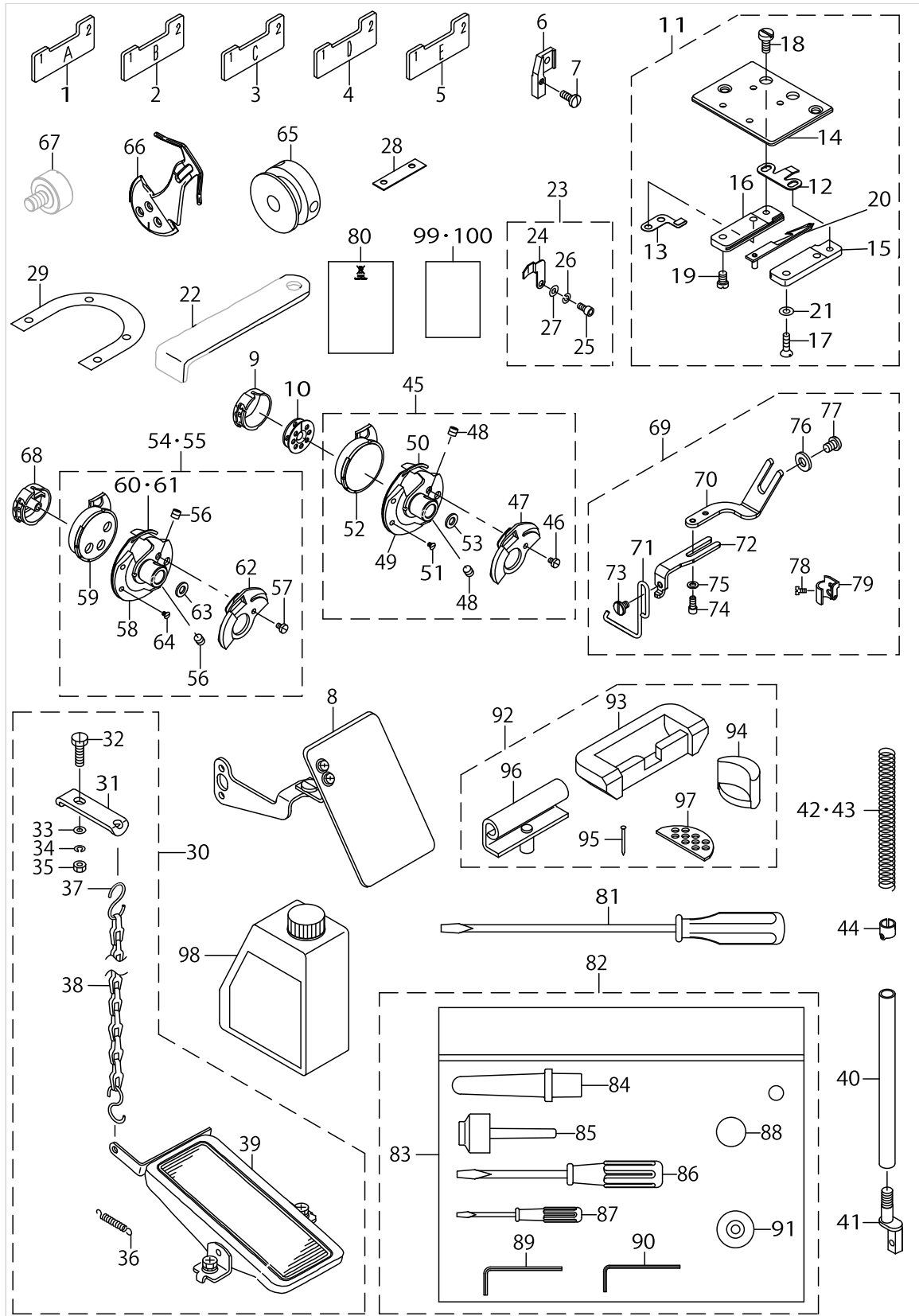
SPECIAL ORDER PARTS (2)



SPECIAL ORDER PARTS (2)

No.	Parts No.	Parts name	Remarks	Level	Cons	Qty
1	22535801	TIMING GAUGE				1
2	22586705	TIMING GAUGE				1
3	22535900	TIMING GAUGE RIGHT				1
4	22536403	TIMING GAUGE D				1
5	22536502	TIMING GAUGE E				1
6	B1551586000	PRESSER FOOT JOINT			☆	1
7	SS7090910TP	SCREW 9/64-40 L=8.5				1
8	22503353	SAFETY PLATE ASM.				1
9	23522550	NOT TURN BOBBIN CASE ASM.			☆	1
10	23523004	NOT TURN BOBBIN			☆	1
11	22556054	KNIFE UNIT				1
12	22556302	FIXED KNIFE		*	☆	1
13	22556450	CLAMP PLATE ASM.		*	☆	1
14	22556609	SLIDING PLATE		*		1
15	22556708	DRIVING BASE		*		1
16	22556807	DRIVING BASE		*		1
17	SS1090510SP	SCREW 9/64-40 L=5		*		2
18	SS6090420SP	SCREW 9/64-40 L=4.0		*		2
19	SS7090710SP	SCREW 9/64-40 L=6.8		*		2
20	22556153	DRIVING KNIFE ASM.		*	☆	1
21	WP0370316SD	WASHER 3.7X8X0.3		*		1
22	B9101490000	DRIVER				1
23	22525455	NEEDLE HOLDER ASM.				1
24	22525406	NEEDLE GUARD		*		1
25	SM6030602TP	SCREW M3X0.5 L=6		*		1
26	WS0310702KS	SPRING WASHER		*		1
27	WP0320500SC	WASHER M3		*		2
28	10025906	SPACER				1
29	22503908	SPACER				1
30	GRF010000B0	RF-1 BACK STITCH DEVICE ASM.				1
31	GRF01001000	PLATE		*		1
32	SS9111510SP	SCREW 11/64-40 L=15		*		1
33	WP0501016SD	WASHER 5X10.5X1		*		1
34	WS0441040KP	SPRING WASHER 4.4X7.4X1		*		1
35	NS6110420SP	NUT 11/64-40		*		1
36	MAT80117S00	SPRING		*		1
37	B8133019000	S SHAPED HOOK		*		2
38	B8131019000	CHAIN		*		1
39	11960853	PEDAL ASM.		*		1
40	D1501583H00	PRESSER BAR				1
41	D1502583H00	PRESSER BAR				1
42	B150522700A	PRESSER SPRING			☆	1
43	11162104	PRESSER SPRING			☆	1
44	22507701	THRED RACK RIGHT			☆	1
45	23523152	NOT TURN BOBBIN HOOK COMPL. V			☆	1
46	10033108	HOOK COUNTER BALANCE SCREW		*		1
47	22526206	REVERSE PLATE V		*		1

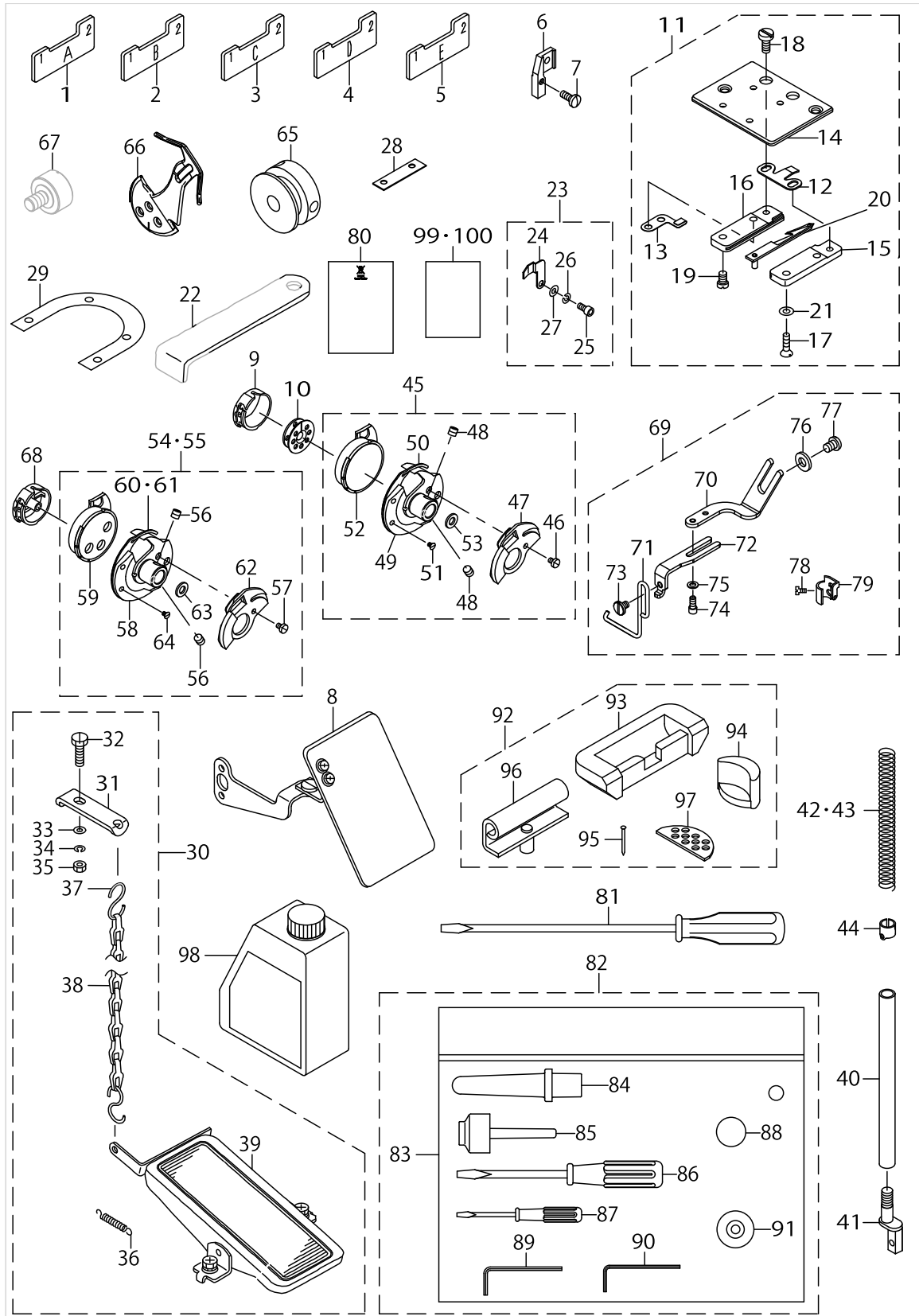
SPECIAL ORDER PARTS (2)



SPECIAL ORDER PARTS (2)

No.	Parts No.	Parts name	Remarks	Level	Cons	Qty
48	SS8110422TP	SCREW 11/64-40 L=4		*		2
49	22525919	OUTER HOOK V		*		1
50	23503501	INNER HOOK PRESSER V-S		*		1
51	10033009	HOOK GIB SCREW		*		2
52	23523202	NOT TURN BOBBIN INNER HOOK V		*		1
53	10032902	HOOK OIL FELT WASHER		*		1
54	23503659	HOOK COMPL. S	FOR INNER HOOK S		☆	1
55	23502958	HOOK COMPL. K	FOR INNER HOOK K		☆	1
56	23504301	OUTER HOOK SETSCREW S		*		2
57	23504400	HOOK COUNTER BALANCE SCREW S		*		1
58	23503709	OUTER HOOK S		*		1
59	23503808	INNER HOOK S		*		1
60	23503907	INNER HOOK PRESSER S	FOR INNER HOOK S	*		1
61	23503006	INNER HOOK PRESSER K	FOR INNER HOOK K	*		1
62	23504004	BACK PLATE S		*		1
63	23504202	HOOK OIL FELT WASHER S		*		1
64	23504103	INNER HOOK PRESSER SETSCREW S		*		3
65	22555403	THREAD CUTTING CAM				1
66	22506109	BALANCE			☆	1
67	40109125	STATOR_ADAPTER				1
68	23504657	BOBBIN CASE WITH SPRING			☆	1
69	40135178	SUPPORT BALANCE PART				1
70	40125672	MOUNTING_BASE		*		1
71	40125673	SUPPORT_BALANCE		*		1
72	40125681	SUPPORT_BALANCE_BASE		*		1
73	SS6090540SP	SCREW 9/64-40 L= 5.0		*		1
74	SS6580752TP	SCREW 1/8-40 L=7		*		1
75	WP03305000E	WASHER 3.3X6X0.5		*		1
76	11529914	WASHER		*		2
77	SS4120915SP	SCREW 3/16-28 L=9		*		2
78	SS7060310SP	SCREW 3/32-56 L=3		*		1
79	22507404	THREAD RACK		*		1
80	CM600100201	WEEE INFORMATION SHEET				1
81	22933006	SCREW DRIVER LARGE				1
82	40125682	ACCESSORIE BAG ASM(DD)				1
83	22932800	ACCESSORIE BAG		*		1
84	22931604	FRAME SUPPORT BAR		*		1
85	B3421555000	KNEE PRESS LIFTER ROD		*		1
86	22933105	SCREW DRIVER MIDDLE		*		1
87	22933204	SCREW DRIVER SMALL		*		1
88	B8228125000	OIL RESERVOIR MAGNET		*		1
89	B9102057000	WRENCH (3/32)		*		1
90	J106600000B	HEXAGONAL WRENCH KEY (2MM)		*		1
91	22596704	BOBBIN S		*		1
92	22926059	RUBBER HINGE WASHER ASM.				1
93	22926000	RUBBER CUSHION		*		2
94	22926109	RUBBER SPACER		*		2

SPECIAL ORDER PARTS (2)



SPECIAL ORDER PARTS (2)

No.	Parts No.	Parts name	Remarks	Level	Cons	Qty
95	22926208	NAIL		*		8
96	22926356	HINGE COMPL.		*		2
97	22926505	WASHER		*		2
98	40102087	JUKI_MACHINE_OIL_7				1
99	40193154	LZ2280A SERIES SAFETY NOTES				1
100	40135195	DECLARATION OF INFORMATION (GENERAL)				1

LIST FOR INFORMATION OF CHANGE

As to the place changed, refer to the corresponding Rev.No.
 When previous parts (Obsoloted part) and new parts (Added parts) are
 not interchangeable with each other:
 In this case, even obsoloted parts (D.) can be ordered with the
 obsoloted part number, so select the parts with changed dates and
 place your orders.

変更箇所は、該当Rev.No.版をご参照ください。
 部品の互換性がない変更の場合は、削除された品番でも、ご注文できます。

40135203
 No.1632-03 Rev.No.

*A:Added parts追加部品/D:Obsoloted parts削除部品/E:Erratum訂正

*	Rev. No.	Page 頁	Ref. No.	Parts No. 品番	*	Rev. No.	Page 頁	Ref. No.	Parts No. 品番
D	02	26	17	401-35185					
D	02	26	18	401-53146					
D	02	28	78	401-35186					
D	02	28	79	401-53147					
D	02	28	99	401-35200	A	03	28	99	401-93154
D	02	28	100	401-35201					
D	02	28	101	401-35202					
D	02	28	102	401-35203					
D	02	28	103	401-35204					

HOW TO MAKE USE OF THIS PARTS LIST

1.Explanation of codes

1)"*"mark.....means this part is changed from the previous parts book.

As to the details of the change, refer to the "List for information of change".

2)"#01".....refer to "Note" explanation at bottom of page.

2.Codes on the "Qty" column

- Each numeral indicates the number of parts required.
- "0.1" and "2.5" indicate the length (in meters) of the respective parts.

3.Parentheses mean that the corresponding part is a subpart that constructs an assembly part.

4.Dotted lines on the Figures indicate assembly parts.

5.As to the parts with marks of "☆"(consumable parts) and "◎"(optional parts)on the respective parts, it is recommended to prepare spares.

1 ."注記"欄の記号説明

1) "*"印.....前回のパーツブックに比較して今回変更された部品を意味します。

変更内容は、"変更情報リスト"を参照してください。

2) "#01".....ページ下の"注記"の説明を参照してください。

2.数量欄の数字は、個数を表し、0.1、2.5等の数値は、長さ（単位メートル）を表します。

3.数量欄の（ ）は、組部品を構成している子部品であることを意味します。

4.イラストページの-----枠は、組構成であることを意味します。

5.リストページの"☆"（消耗部品）、"◎"（オプション部品）の印がついた部品は、予備を準備しておくことをお奨めします。

NUMERICAL INDEX OF PARTS

PART NO	PAGE	REF NO.	PART NO	PAGE	REF NO.	PART NO	PAGE	REF NO.
10001709	2	17	10037406	6	12	22512362	14	8~10
10006005	4	55	10045052	16	1	22519201	24	17
10008753	8	16	10162600	42	18	22519607	20	2
10011005	12	25~29	11002508	8	12	22519805	24	7·8
10011104	12	25~29	11015906	26	18	22525406	50	24
10011203	12	25~29	11101003	36	13	22525455	50	23
10011302	12	25~29	11162104	50	42·43	22525877	26	1·35
10012201	12	30	11234408	34	17	22525919	52	49
10012417	12	31	11529914	36	14	22526206	50	47
10012516	12	32	11529914	48	6	22527006	46	20~28
10012607	12	9~12	11529914	52	76	22527105	46	20~28
10012706	12	9~12	11960853	50	39	22527204	46	20~28
10012805	12	9~12	12308300	46	36	22527303	46	20~28
10012904	12	9~12	13170105	42	5	22528152	4	51
10013407	10	60	13171004	42	6	22528509	4	54
10014009	12	25~29	13312202	8	14	22528616	2	39
10015105	14	21	13338900	46	29	22534101	42	27
10017705	14	17	13729702	26	37	22535454	40	13
10022606	16	45	19800903	26	39	22535603	40	12
10025906	50	28	19801000	26	40	22535801	50	1
10026706	20	26	19801109	26	42	22535900	50	3
10026763	20	24	19801208	26	43	22536403	50	4
10026904	20	37	19801307	26	41	22536502	46	34
10027407	22	48	19801406	26	44	22536502	50	5
10027506	20	47	19801505	26	45	22538706	6	33
10029304	20	17	19801604	26	46	22538854	6	28
10030104	26	23	22501704	46	4	22540207	24	7·8
10030211	26	33	22502108	2	8	22542500	12	20
10030310	26	20	22502504	4	21·64	22542708	4	25·62
10030401	26	21	22503353	50	8	22544159	36	2
10030609	26	24~27	22503908	50	29	22544159	48	3
10030708	26	24~27	22505200	8	3	22548010	6	4~6
10030807	26	24~27	22505705	8	17	22548119	20	6
10030906	26	24~27	22506109	52	66	22548671	16	2
10031003	26	34	22506208	10	64	22548705	6	4~6
10031615	26	5	22507404	52	79	22548804	20	8
10031714	26	6	22507701	8	40	22554158	30	1
10032001	6	36	22507701	50	44	22554505	30	3
10032902	52	53	22507818	10	68·69	22554802	30	6
10033009	52	51	22508006	8	46	22554901	30	7
10033108	50	46	22509756	12	1	22555007	30	8
10035004	28	9	22510101	12	22	22555106	30	9
10035111	28	8	22510200	12	23	22555205	30	10
10035301	28	6	22512156	14	16	22555304	30	11
10037307	6	23	22512313	14	11	22555403	52	65

NUMERICAL INDEX OF PARTS

PART NO	PAGE	REF NO.	PART NO	PAGE	REF NO.	PART NO	PAGE	REF NO.
22555551	32	55	22912109	24	27	22955900	38	19
22555858	30	30	22913008	8	44	22956007	34	3
22556054	50	11	22913008	20	33	22956007	38	20
22556153	50	20	22916506	26	17	22956205	38	21
22556302	50	12	22917058	28	20	22956304	34	4
22556450	50	13	22920102	16	35	22956304	38	22
22556609	50	14	22920409	2	10	22957104	34	5
22556708	50	15	22921407	4	57	22957104	38	24
22556807	50	16	22924609	28	28	22957203	34	6
22556906	32	56	22924708	2	20	22957203	38	25
22557003	32	57	22926000	52	93	22958300	2	21・64
22557458	30	12	22926059	52	92	23502958	52	54・55
22557557	30	15	22926109	52	94	23503006	52	60・61
22557706	30	16	22926208	54	95	23503402	26	7
22557805	30	17	22926356	54	96	23503501	52	50
22557904	30	18	22926505	54	97	23503659	52	54・55
22558001	30	21	22927206	8	23	23503709	52	58
22558100	30	22	22931604	52	84	23503808	52	59
22558159	30	20	22932008	42	4	23503907	52	60・61
22558209	30	19	22932107	42	15	23504004	52	62
22558308	30	13	22932156	42	14	23504103	52	64
22558407	30	14	22932206	42	8	23504202	52	63
22558506	32	54	22932305	42	7	23504301	52	56
22562201	38	17	22932404	42	12	23504400	52	57
22564959	34	20	22932453	42	11	23504657	52	68
22573257	14	5・6	22932800	52	83	23516206	2	25・62
22581508	20	7	22933006	52	81	23521404	14	23
22582407	6	4~6	22933105	52	86	23522550	50	9
22585657	46	17・18	22933204	52	87	23523004	50	10
22586705	50	2	22934202	42	21	23523152	50	45
22596704	26	32	22934251	42	20	23523202	52	52
22596704	52	91	22934301	42	25	23537814	2	6
22900401	2	18	22934400	42	24	23538309	4	52
22901805	6	11	22934509	42	22	23542418	32	58
22904106	20	21	22934608	42	23	23547557	4	49
22904155	8	32	22934707	42	13	23626005	4	58
22907109	16	19	22940605	20	11	23629504	28	29
22907406	16	18	22948558	32	59	23630007	28	31
22907703	16	8	22949002	32	60	26226407	24	23
22907802	16	20	22949101	32	52	26300103	6	7
22908156	16	11	22951552	40	30	26300202	8	13
22908305	16	13	22952501	24	24	26300301	8	15
22908701	16	22	22953509	48	5	26300400	8	47
22911903	24	9・10	22955504	38	23	26300608	12	18
22912000	24	26	22955900	34	2	26300962	10	58

NUMERICAL INDEX OF PARTS

PART NO	PAGE	REF NO.	PART NO	PAGE	REF NO.	PART NO	PAGE	REF NO.
26301002	12	33~36	40010289	22	55~58	40085792	44	10
26301101	12	33~36	40010295	30	5	40085793	44	11
26301200	12	33~36	40010305	26	30	40085794	44	12
26301309	12	33~36	40010319	20	45	40085795	44	13
26301408	10	61	40012129	2	19	40085796	44	16
26302000	24	9·10	40015494	10	68·69	40091183	40	15
26302307	12	8	40021606	38	5	40091184	40	16
26303107	20	12	40022407	2	44	40091212	6	30
26303404	20	46	40022407	34	19	40096325	44	14
26303503	22	49	40032271	22	53	40096326	44	17
26303602	24	14	40034920	6	26	40096327	44	19
26303701	22	51	40035589	6	13	40096354	44	1
26304402	8	18	40037008	6	31	40101337	40	11
26305102	2	7	40037359	16	17	40101461	28	7
26305300	2	9	40040372	8	10	40102087	54	98
26305409	2	34	40043912	22	50	40102261	6	10
26305904	8	45	40044872	8	7	40106079	30	4
26306001	10	59	40050457	22	52	40106936	38	18
26306803	14	18	40056375	12	7	40106939	34	7
26306951	14	12	40056754	24	1	40108060	36	1
26307157	14	5·6	40057195	24	11	40108060	48	2
26307405	12	3~6	40064283	40	19	40109125	52	67
26307504	12	3~6	40064313	46	10~16	40110979	8	36
26307603	12	3~6	40064314	46	10~16	40111025	8	34
26307702	12	3~6	40064315	46	10~16	40125430	2	11
26307850	16	9	40064316	46	10~16	40125431	2	3
26308205	24	3	40064317	46	10~16	40125433	2	4
26308353	24	4	40064319	46	10~16	40125434	6	1
26309104	20	1	40064320	46	10~16	40125435	6	2
26309351	22	60	40065490	12	2	40125438	2	13
26309609	26	28	40070259	28	19	40125439	14	1~3
26309708	26	29	40070261	28	4	40125440	40	14
26312405	24	2	40070531	16	5	40125442	2	2
26313700	46	32	40070532	8	43	40125444	2	1
26314401	24	18	40078331	46	39	40125445	14	1~3
26314757	6	8	40078335	46	40	40125450	8	1·9
26319400	40	1	40082351	8	42	40125451	8	2
26319509	40	3	40085784	44	2	40125453	8	6
26319558	40	2	40085785	44	3	40125455	8	11
26319608	40	4	40085786	44	4	40125456	8	22
26319806	40	5	40085787	44	5	40125458	10	70
40009373	28	12	40085788	44	6	40125459	10	71
40010286	22	55~58	40085789	44	7	40125460	8	1·9
40010287	22	55~58	40085790	44	8	40125463	8	38
40010288	22	55~58	40085791	44	9	40125464	40	18

NUMERICAL INDEX OF PARTS

PART NO	PAGE	REF NO.	PART NO	PAGE	REF NO.	PART NO	PAGE	REF NO.
40125465	8	33	40125595	46	8·9	B13081550A0	26	31
40125469	16	16	40125598	46	1·2	B150522700A	50	42·43
40125470	16	10	40125599	46	17·18	B1521555000	16	21
40125471	16	14	40125621	46	20~28	B1551586000	50	6
40125473	16	39	40125622	46	20~28	B16085550A0	20	44
40125474	16	30	40125623	46	20~28	B1609804A00	20	38~42
40125475	16	38	40125624	46	20~28	B1609804B00	20	38~42
40125476	16	43	40125625	46	20~28	B1609804C00	20	38~42
40125479	16	37	40125626	46	6·7	B1609804D00	20	38~42
40125481	20	3	40125627	46	6·7	B1609804E00	20	38~42
40125483	22	61	40125628	14	1~3	B1637560000	46	38
40125484	20	5	40125637	2	43	B1646555000	22	54
40125485	20	9	40125645	38	16	B1810552000	8	19
40125486	20	32	40125647	38	8	B1905541A00	10	48~51
40125487	20	36	40125648	38	9	B1905541B00	10	48~51
40125488	20	43	40125649	38	1	B1905541C00	10	48~51
40125490	20	34	40125651	4	48	B1905541D00	10	48~51
40125491	24	5·6	40125655	34	16	B2508704000	24	25
40125492	24	5·6	40125660	40	23	B3121352000	4	56
40125500	26	2	40125662	16	41	B3416552000	16	15
40125501	26	3	40125663	16	36	B3416555000	16	47
40125502	26	4	40125666	16	29	B3421555000	42	28
40125504	6	22	40125667	28	27	B3421555000	52	85
40125505	6	21	40125668	14	8~10	B8131019000	50	38
40125507	26	36	40125669	14	8~10	B8133019000	50	37
40125508	26	38	40125672	52	70	B8228125000	42	19
40125511	28	1	40125673	52	71	B8228125000	52	88
40125513	28	21	40125674	2	37	B9101490000	50	22
40125515	28	2	40125681	52	72	B9102057000	52	89
40125516	28	33	40125682	52	82	BP30000010R	28	5
40125531	30	2	40125685	4	60	CM300200001	4	46
40125550	34	1	40125699	28	3	CM300200002	6	3
40125551	34	8	40125710	2	14	CM600100101	6	20
40125554	34	9	40135177	48	1	CM600100201	52	80
40125555	34	10	40135178	52	69	CQ202000000	10	63
40125559	34	21	40135195	54	99·100	CQ202000000	28	23
40125566	36	3	40135266	28	11	CS0640863SH	34	11
40125566	48	4	40138514	16	3	CS095101BSH	32	49
40125568	36	5	40141101	4	53	CS1031210SH	12	40
40125568	48	7	40142886	18	49	CS1031210SH	24	32
40125583	42	2	40150131	6	35	CS103121BSH	12	41
40125584	42	1	40161000	26	1·35	D1501583H00	50	40
40125586	42	3	40193154	54	99·100	D1502583H00	50	41
40125590	46	1·2	A321600100A	6	27	D2056772B0B	30	29
40125594	46	8·9	B13071550A0	26	19	D2112555B00	2	45

NUMERICAL INDEX OF PARTS

PART NO	PAGE	REF NO.	PART NO	PAGE	REF NO.	PART NO	PAGE	REF NO.
D2467555B00	4	66-67	NS6620310SP	16	46	SL4030631SC	38	14
D2467555B00	32	53	NS6680410SP	20	27	SL4030881SF	34	14
D2467555B00	48	8	RC0100001KP	12	19	SL4031681SC	40	22
D2468555B00	24	21	RC0100001KP	46	3	SL4040881SC	30	36
D2468555B00	36	4	RC0150001KP	20	23	SL4040891SC	40	26
D2468555B00	48	9	RE0300000K0	20	20	SL6051492TN	8	37
D2515232D00	24	22	RE0400000K0	30	45	SL6052592TN	8	35
D3164555B00	16	6	RE0400000K0	36	7	SL6061692TN	40	17
E3724715000	40	24	RE0400000K0	46	41	SM0050801SC	6	24
EA9500B0100	4	65	RE0400000K0	48	11	SM0051001SC	6	32
EA9500B0100	28	22	RE0500000K0	16	48	SM1061601SC	8	39
EA9500B0100	30	31	RE0500000K0	18	48	SM4030601SN	38	12
EA9500B0100	40	20	RE0500000K0	30	40	SM4040655SP	6	14
EA9502B0300	40	28	RE0500000KP	34	13	SM4051405SE	44	23
GAK33041000	16	24	RE0600000K0	30	43	SM6030602TP	50	25
GAK33042000	16	25	RE1000000K0	42	10	SM6052002TP	10	52
GPR01015000	2	36	RE1200000K0	36	8	SM6061010TP	2	40
GRF010000B0	50	30	RE1200000K0	48	12	SM8040502TP	14	15
GRF01001000	50	31	RO025100100	16	33	SM8050402TP	22	59
HA00600000A	34	12	RO029180100	8	20	SM8050412TP	46	35
HA00600000A	38	26	RO029180100	28	26	SM8050812TP	4	61
HK00443002A	32	50	RO029180100	46	42	SM8050812TP	12	14
HX00150000H	4	72	RO036080200	26	22	SM80608A2TP	8	25
HX00150000L	4	70	RO037180100	16	27	SM8063012TR	42	17
J106600000B	52	90	RO044240100	8	27	SM9061203SE	42	26
MAB109000B0	16	4	RO048190100	8	28	SM9061853SR	42	9
MAT80117S00	50	36	RO069180100	12	39	SQ1110402MZ	28	32
MC192300750	10	66-67	RO074240100	24	29	SS1090510SP	30	27
MDP134B1000	10	66-67	RO118240100	4	59	SS1090510SP	50	17
NM6030001SB	30	35	RO195240100	2	42	SS1090930SP	8	31
NM6030003SC	40	27	RO437200200	10	65	SS1110840SP	2	27
NM6040003SC	40	25	SB109530100	26	12	SS2090710SP	2	33
NM6050001SD	6	34	SB120002700	8	4	SS2090810SP	6	17
NM6050001SE	44	24	SD0500481TP	38	15	SS2110920TP	12	24
NM6060001SE	42	16	SD0600271SP	38	3	SS2110920TP	30	46
NM6060003SE	16	31	SD0600291TP	30	34	SS2111010TP	30	47
NP210300000	30	25	SD0600321SP	20	13	SS4080620TP	20	35
NS6110310SP	38	10	SD0600321SP	24	12	SS4080620TP	26	15
NS6110420SP	50	35	SD0640751SP	2	29	SS4110515SP	28	10
NS6120310SP	20	14	SD0650321TP	38	11	SS4110615SP	6	18
NS6120310SP	24	13	SD0791503SP	30	41	SS4110615SP	10	54
NS6150310SP	30	42	SD0791503SP	36	10	SS4110615SP	28	25
NS6150310SP	36	11	SD0791503SP	48	13	SS4110615SP	32	51
NS6150310SP	48	10	SD0900701TP	22	62	SS4110715SP	16	42
NS6150430SP	30	38	SK3412001SE	40	9	SS4110715SP	28	14

NUMERICAL INDEX OF PARTS

PART NO	PAGE	REF NO.	PART NO	PAGE	REF NO.	PART NO	PAGE	REF NO.
SS4110915SP	2	32	SS7060310SP	10	57	TA0950806R0	6	19
SS4110915SP	6	25	SS7060310SP	30	24	TA1050504R0	2	68·69
SS4110915SP	10	56	SS7060310SP	52	78	TA1050504R0	4	68·69
SS4110915SP	26	16	SS7080410SP	2	28	TA1100604R0	2	16
SS4110915SP	28	34	SS7080520SP	10	53	TA1100604R0	46	37
SS4110915SP	30	39	SS7090410SP	2	15	TA1250705R0	2	63
SS4110915SP	40	7	SS7090610SP	30	44	TA1250705R0	4	63
SS4111015SP	6	15	SS7090710SP	50	19	TA1330405R0	2	5
SS4120615SP	2	71	SS7090910TP	14	19	TA1470702R0	46	31
SS4120615SP	4	71	SS7090910TP	16	26	TA2200502R0	46	30
SS4120615SP	24	20	SS7090910TP	50	7	WP0320500SC	50	27
SS4120615SP	36	12	SS7110540SP	34	15	WP03305000E	52	75
SS4120615SP	38	2	SS7110740TP	20	19	WP0370316SD	50	21
SS4120615SP	40	29	SS7110910TP	20	29	WP0371016SD	34	25
SS4120615SP	48	14	SS7111410TP	46	33	WP0371036SD	14	20
SS4120915SP	2	41	SS7120710SP	38	6	WP0450801SD	40	6
SS4120915SP	14	4	SS7121410TP	20	31	WP0450826SC	40	8
SS4120915SP	16	40	SS7121410TP	24	33	WP0480856SD	22	64
SS4120915SP	34	24	SS7620750SP	14	22	WP0501016SD	50	33
SS4120915SP	38	7	SS7620750SP	24	30	WP0531001SC	44	22
SS4120915SP	52	77	SS7681650TP	8	26	WP0621016SD	16	32
SS4121415SP	2	26	SS8090670SP	4	50	WP0621016SH	30	37
SS4150915SP	30	32	SS8110422TP	52	48	WP0651056SD	2	31
SS4150915SP	36	6	SS8120740SP	10	62	WP1021016SD	14	7
SS4150915SP	48	15	SS8150510TP	22	63	WP1221016SP	34	18
SS4151215SP	40	10	SS8150710SP	12	21	WP1602616SZ	36	9
SS5110710SP	20	30	SS8150710SP	26	10	WP1602616SZ	48	16
SS6080320SP	14	13	SS8150710SP	28	13	WP1612616SE	44	15
SS6090420SP	50	18	SS8150822TP	26	11	WS0270002KN	30	28
SS6090540SP	34	22	SS8151150SP	8	21	WS0310002KP	38	13
SS6090540SP	52	73	SS8151550SP	8	24	WS0310702KS	50	26
SS6111052TP	20	4	SS8660410SP	12	16	WS0441040KP	50	34
SS6111052TP	46	5	SS8660530TP	28	17	WS0510002KN	44	21
SS6111140SP	20	15	SS8660610TP	8	30	WT0530002KS	40	31
SS6111140SP	28	15	SS8660610TP	12	37	WZ0641510KP	2	30
SS6111210SP	16	44	SS8660610TP	46	19	WZ1052010KP	14	14
SS6121610TP	20	28	SS8660810TP	12	17			
SS6121610TP	24	15	SS8660810TP	20	25			
SS6121840SP	24	28	SS8660810TP	26	14			
SS6121860SP	24	16	SS8660970TP	12	38			
SS6580752TP	20	16	SS8680730SP	8	41			
SS6580752TP	52	74	SS9090610TP	12	15			
SS6660710TP	20	22	SS9110620TP	34	23			
SS6660710TP	26	9	SS9111510SP	50	32			
SS6660710TP	32	48	TA0800504R0	2	22			