

MODEL : UT59
List No : 1630-02

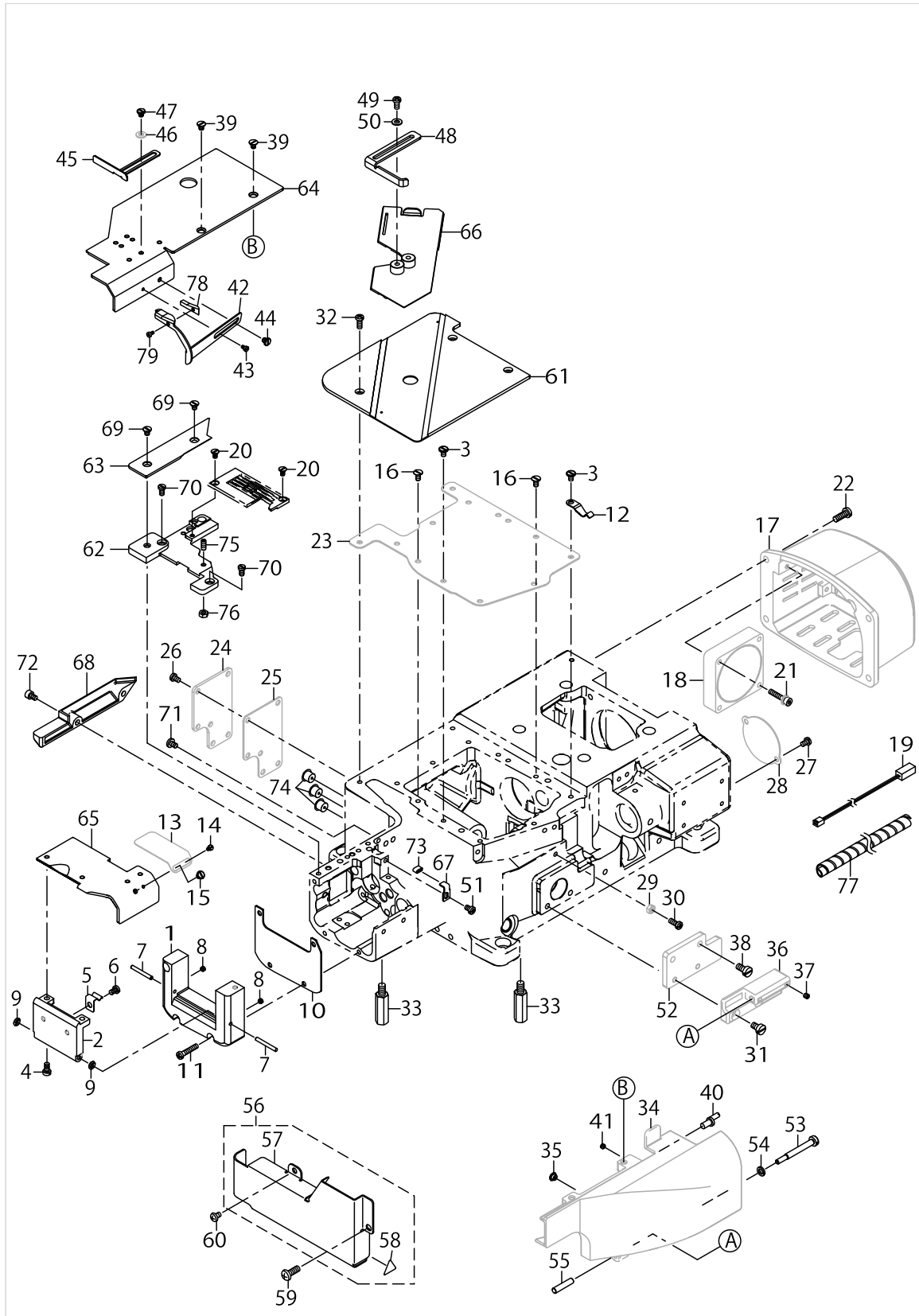
PARTS LIST

Published:09/10/2017

CONTENTS

MISCELLANEOUS COVER COMPONENTS (FOR H22/H23).....	1
MISCELLANEOUS COVER COMPONENTS (FOR U11)	5
THREAD TENSION COMPONENTS	9
LOOPER THREAD TRIMMER COMPONENTS	13
LOOPER COMPONENTS	15
PNEUMATIC DRIVE & PRESSER FEED LIFTER COMPONENTS.....	19
FRAY PREVENTION COMPONENTS.....	23
AIR PIPING DIAGRAM.....	25
ACCESSORIE PARTS COMPONENTS	27
GAUGE COMPONENTS (FOR H22)	29
GAUGE COMPONENTS (FOR H23)	31
GAUGE COMPONENTS (FOR U11)	33
HOW TO MAKE USE OF THIS PARTS LIST	35

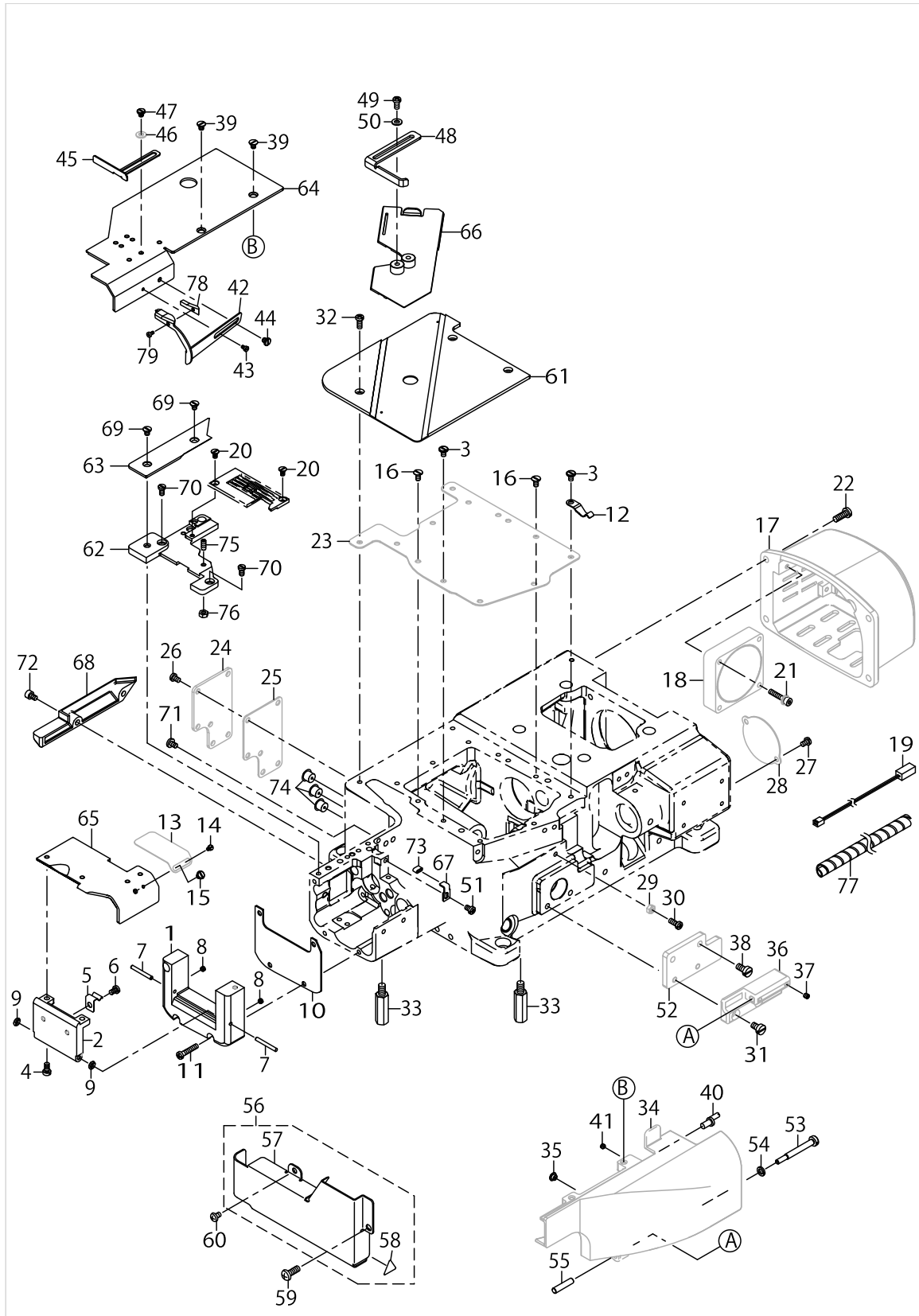
MISCELLANEOUS COVER COMPONENTS (FOR H22/H23)



MISCELLANEOUS COVER COMPONENTS (FOR H22/H23)

No.	Parts No.	Parts name	Remarks	Level	Cons	Qty
1	70001866	CYLINDER_COVER_H22				1
2	70001655	SIDE_COVER_BOTTOM				1
3	SM6040800SP	SCREW				6
4	SM6040800SP	SCREW				2
5	13401906	LATCH SPRING 2				1
6	SM4040655SP	SCREW M4 L=6				1
7	PH0300252C0	PIN				2
8	SM8040360TP	SCREW				2
9	RO037180100	RUBBER RING				2
10	70001661	GASKET				1
11	SM4042055SP	SCREW				3
12	13402003	LATCH SPRING				1
13	70001890	SIDE_COVER				1
14	SM6850400SP	SCREW M2.5 L=4				1
15	SM6040450TP	SCREW M4 L=4				1
16	SM1040860SP	SCREW				4
17	70001413	MOTOR_COVER				1
18	40119461	HEAD FAN MOTOR A ASSY				1
19	70001457	FAN_CORD_ASSY				1
20	13302203	SCREW				2
21	SL6042092TN	SCREW M4 L=20				2
22	SM4051455SP	SCREW M5 L=14				4
23	70001663	GASKET_B				1
24	70001642	COVER_FOR_FEED_ADJUST				1
25	70001643	COVER_FOR_FEED_ADJUST_PACKING				1
26	SM4040855SP	SCREW				6
27	SM4040655SP	SCREW M4 L=6				2
28	70001673	LOOPER_THD_COVER				1
29	NM6040000SN	NUT M4				1
30	SM4041055SP	SCREW				1
31	SM6050800SP	SCREW M5 L=8				2
32	SM4041055SP	SCREW				3
33	13301809	SUPPORT STUD				4
34	70001870	SWING_DOWN_COVER				1
35	13302302	RUBBER BUMPER				1
36	70001648	HINGE				1
37	SM8040412TP	SET SCREW M4 L=4				2
38	SM6051000SP	SCREW				2
39	SM1040800SP	SCREW				2
40	13402706	PIN FOR COVER				1
41	SM8040360TP	SCREW				1
42	70004847	HEM_GUIDE_LEFT				1
43	SM6850400SP	SCREW M2.5 L=4				1
44	SM6040450TP	SCREW M4 L=4				1
45	70004248	HEM_GUIDE_RIGHT				1
46	WP0430801SC	WASHER M4				2
47	SM6040450TP	SCREW M4 L=4				2

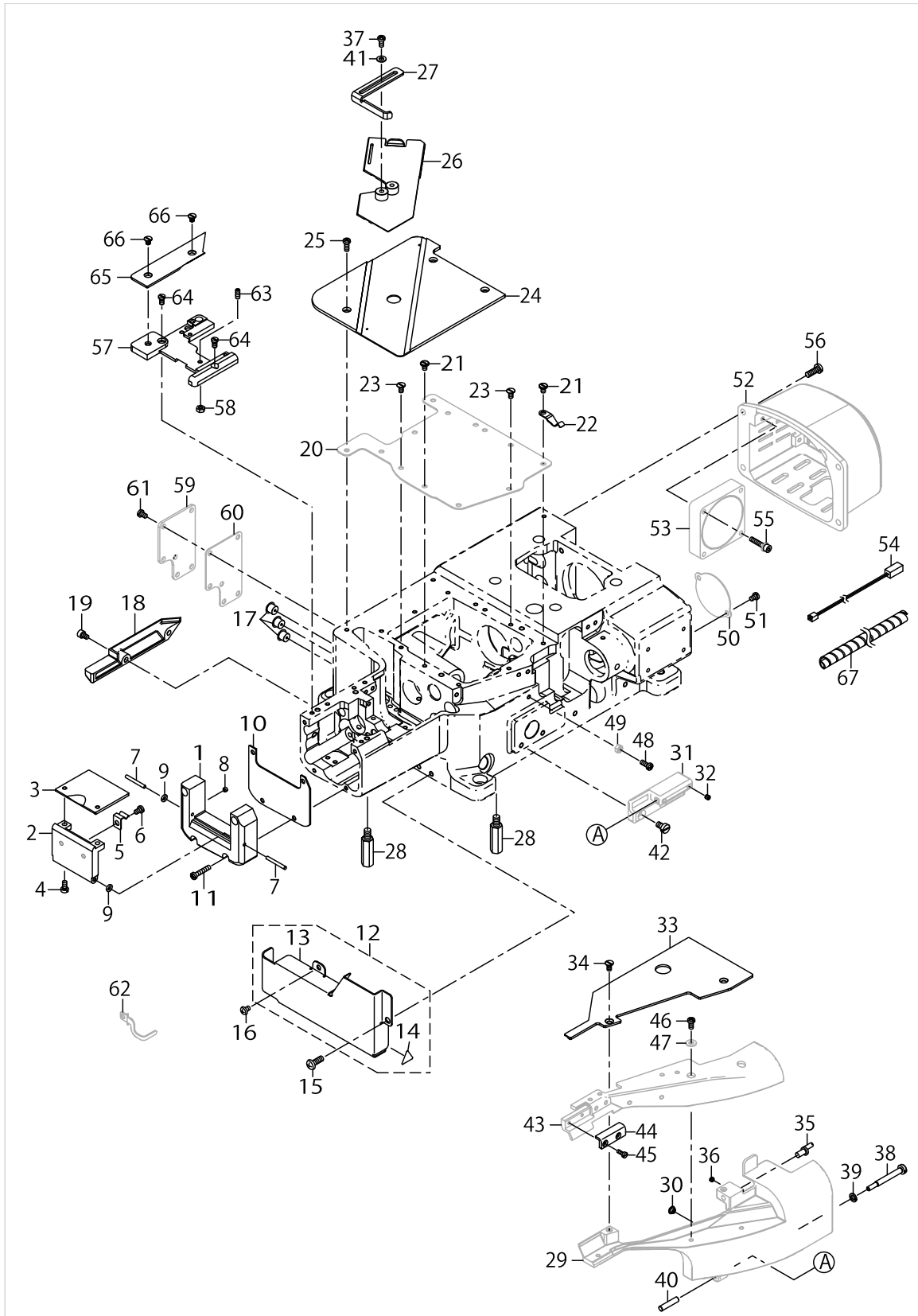
MISCELLANEOUS COVER COMPONENTS (FOR H22/H23)



MISCELLANEOUS COVER COMPONENTS (FOR H22/H23)

No.	Parts No.	Parts name	Remarks	Level	Cons	Qty
48	40040255	HEM_GUIDE				1
49	SM4040855SP	SCREW				2
50	WP0430801SC	WASHER M4				2
51	SM4040655SP	SCREW M4 L=6				1
52	70001646	HINGE_BASE				1
53	70001414	SCREW				1
54	WS0510002KP	SPRING WASHER 5.1X9.2X1.3				1
55	13409800	DIFF_LINK_PIN				1
56	40030059	SS_COVER_ASSY				1
57	40019868	SS_COVER		*		1
58	CM300200001	FINGER INJURY CAUTION LABLE (16)		*		1
59	SM4051455SP	SCREW M5 L=14				1
60	SM4040655SP	SCREW M4 L=6				1
61	70003355	CLOTH_PLATE_ASSY				1
62	70003432	THROAT_PLATE_SUPPORT_H22				1
63	70003433	REAR_COVER_H22				1
64	70003451	CLOTH_PLATE_FRONT_H22				1
65	70003452	SIDE_COVER_UPPER_H22				1
66	70004247	SLIDE_COVER_ASSY				1
67	70003456	SLIDE_COVER_SUPPORT				1
68	70003457	UNDER_COVER_H22				1
69	SM1040650TP	SCREW				2
70	SM6040750TP	SCREW M4 L=7				2
71	SM5040655SN	SCREW				2
72	SM6040602TN	BOLT				2
73	BT0600402EA	OIL TUBE				0.01
74	22901409	NEEDLE BAR UPPER BUSH CAP				3
75	SM8041012TP	SCREW M4 L=10				1
76	NM6040000SN	NUT M4				1
77	HX00314000D	SPIRAL TUBE				0.7
78	70004848	HEM_GUIDE_BLOCK				1
79	SM6850350TP	FLAT SCREW				1

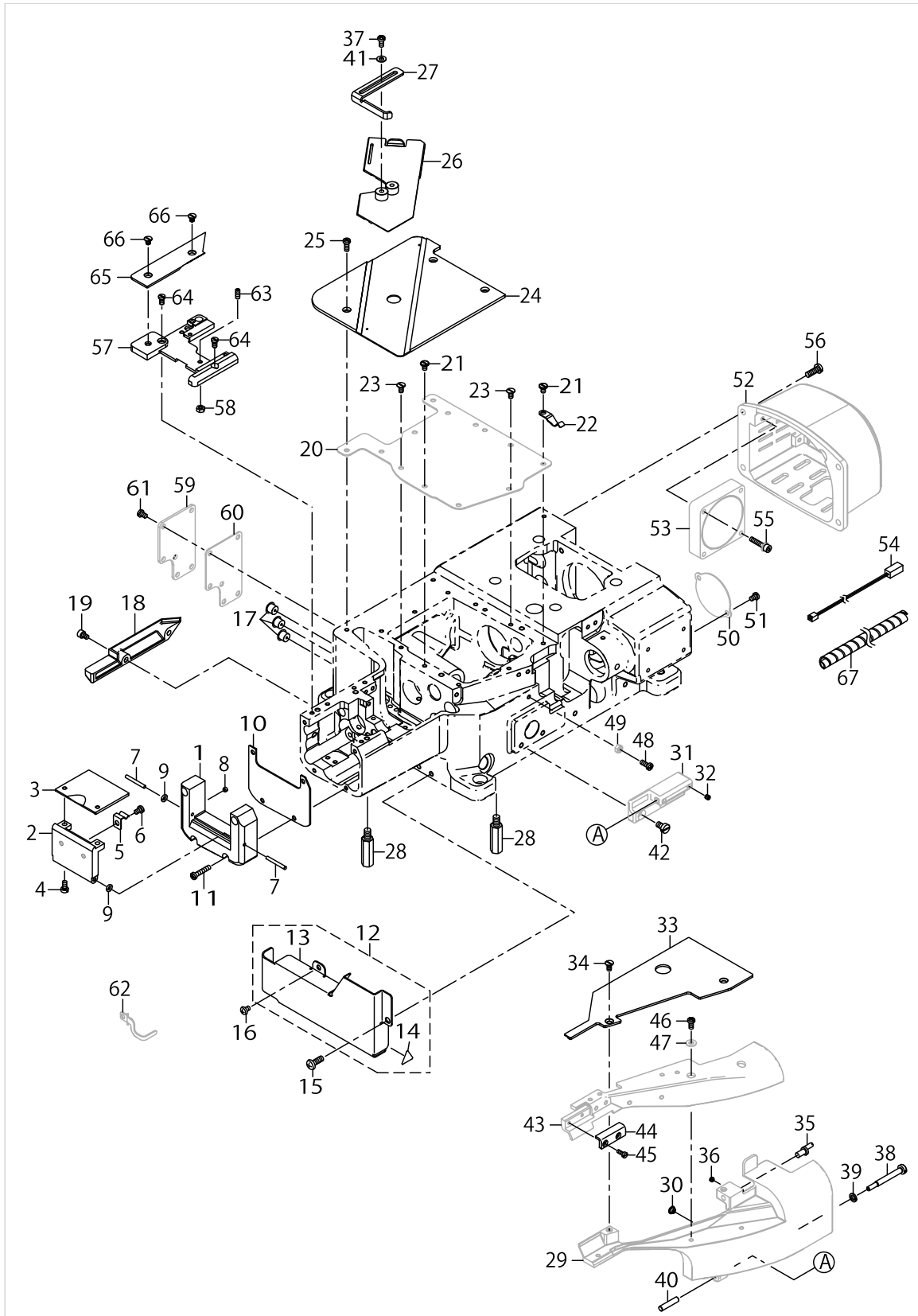
MISCELLANEOUS COVER COMPONENTS (FOR U11)



MISCELLANEOUS COVER COMPONENTS (FOR U11)

No.	Parts No.	Parts name	Remarks	Level	Cons	Qty
1	70004258	CYLINDER_COVER				1
2	70001655	SIDE_COVER_BOTTOM				1
3	70004256	SIDE_COVER_UPPER				1
4	SM6040800SP	SCREW				2
5	13401906	LATCH SPRING 2				1
6	SM4040655SP	SCREW M4 L=6				1
7	PH0300252C0	PIN				2
8	SM8040360TP	SCREW				2
9	RO037180100	RUBBER RING				2
10	70001661	GASKET				1
11	SM4042055SP	SCREW				4
12	40030059	SS_COVER_ASSY				1
13	40019868	SS_COVER		*		1
14	CM300200001	FINGER INJURY CAUTION LABLE (16)		*		1
15	SM4051455SP	SCREW M5 L=14				1
16	SM4040655SP	SCREW M4 L=6				1
17	22901409	NEEDLE BAR UPPER BUSH CAP				3
18	70003457	UNDER_COVER_H22				1
19	SM6040602TN	BOLT				2
20	70001663	GASKET_B				1
21	SM6040800SP	SCREW				6
22	13402003	LATCH SPRING				1
23	SM1040860SP	SCREW				4
24	70003355	CLOTH_PLATE_ASSY				1
25	SM4041055SP	SCREW				3
26	70004264	SLIDE_COVER_ASSY				1
27	40040255	HEM_GUIDE				1
28	13301809	SUPPORT STUD				4
29	70001650	SWING_DOWN_COVER				1
30	13302302	RUBBER BUMPER				1
31	70001648	HINGE				1
32	SM8040412TP	SET SCREW M4 L=4				2
33	70004265	CLOTH_PLATE_FRONT				1
34	SM1040800SP	SCREW				2
35	13402706	PIN FOR COVER				1
36	SM8040360TP	SCREW				1
37	SM4040855SP	SCREW				2
38	70001414	SCREW				1
39	WS0510002KP	SPRING WASHER 5.1X9.2X1.3				1
40	13409800	DIFF_LINK_PIN				1
41	WP0430801SC	WASHER M4				2
42	SM6050800SP	SCREW M5 L=8				2
43	70001652	BRACKET				1
44	70001678	BRACKET				1
45	SM6030800SP	SCREW M3X0.5 L=8				2
46	SM4040855SP	SCREW				2
47	WP0450801SC	WASHER 4.5X10X0.8				2

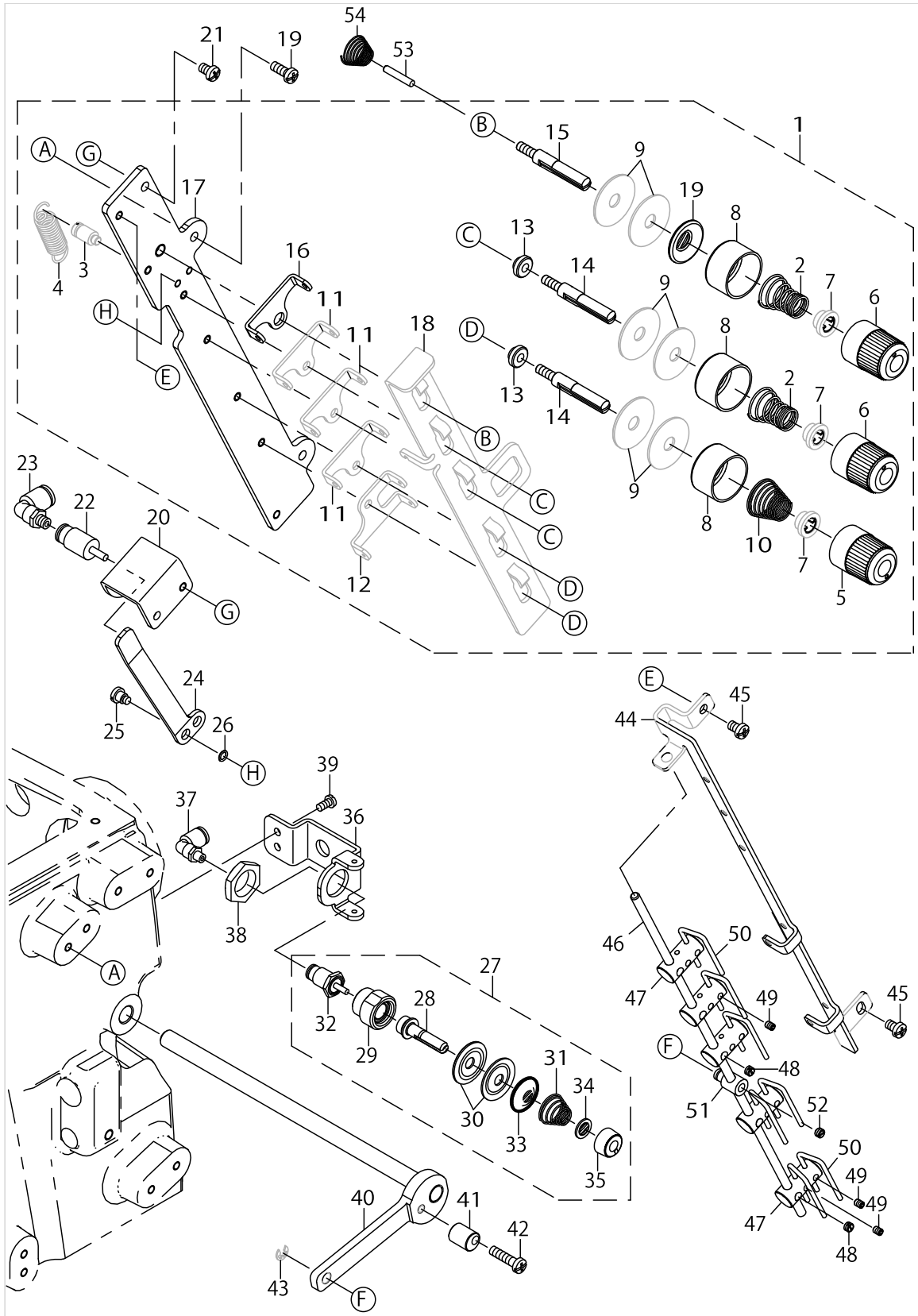
MISCELLANEOUS COVER COMPONENTS (FOR U11)



MISCELLANEOUS COVER COMPONENTS (FOR U11)

No.	Parts No.	Parts name	Remarks	Level	Cons	Qty
48	SM4041055SP	SCREW				1
49	NM6040001SC	NUT M4X0.7 TYPE1				1
50	70001673	LOOPER_THD_COVER				1
51	SM4040655SP	SCREW M4 L=6				2
52	70001413	MOTOR_COVER				1
53	40119461	HEAD FAN MOTOR A ASSY				1
54	70001457	FAN_CORD_ASSY				1
55	SL6042092TN	SCREW M4 L=20				2
56	SM4051455SP	SCREW M5 L=14				4
57	70004255	THROAT_PLATE_SUPPORT				1
58	NM6040000SN	NUT M4				1
59	70001642	COVER_FOR_FEED_ADJUST				1
60	70001643	COVER_FOR_FEED_ADJUST_PACKING				1
61	SM4040855SP	SCREW				6
62	70001484	FINGER_GUARD				1
63	SM8041012TP	SCREW M4 L=10				1
64	SM6040750TP	SCREW M4 L=7				2
65	70004262	REAR_COVER				1
66	SM1040650TP	SCREW				2
67	HX00314000D	SPIRAL TUBE				0.7

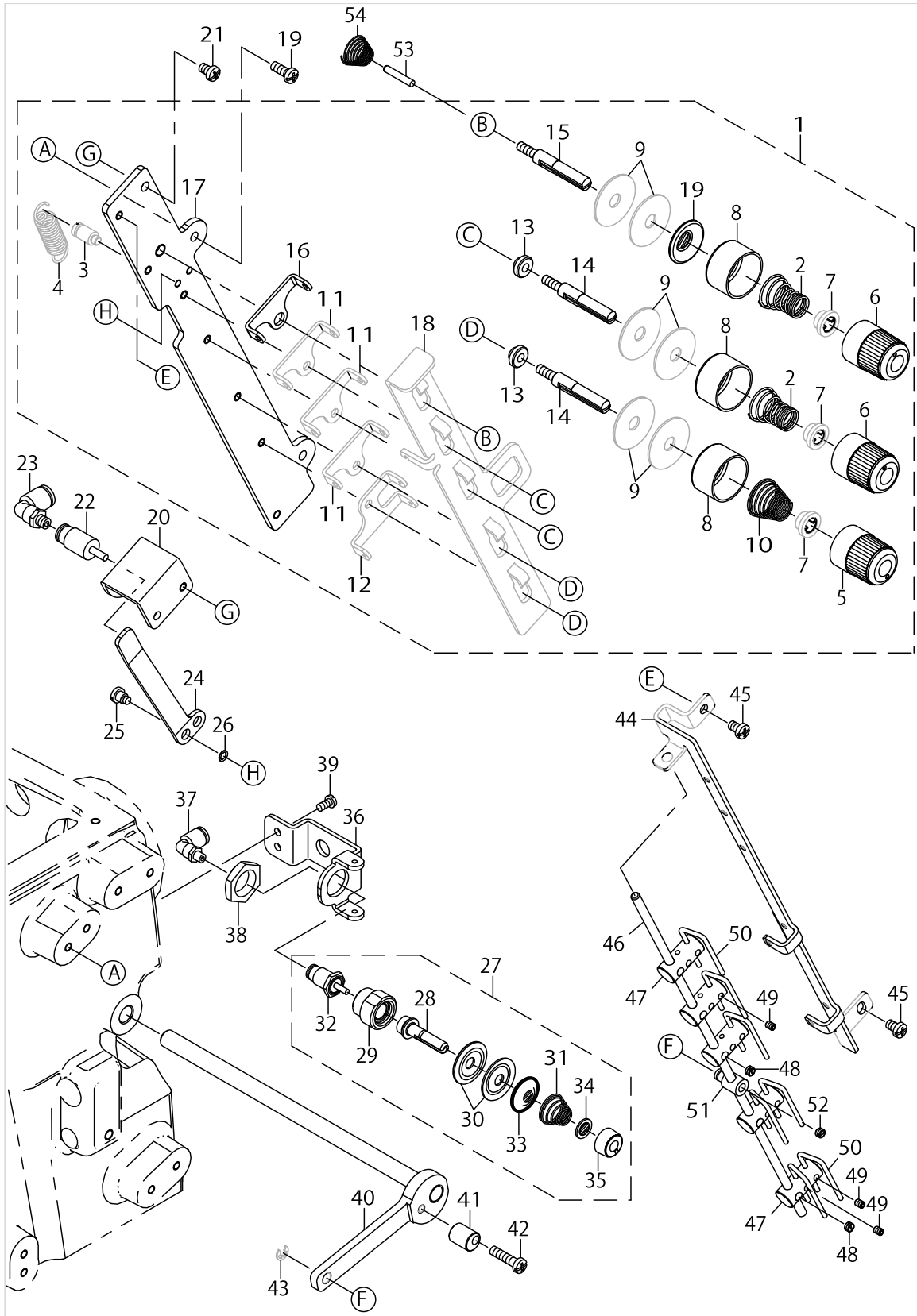
THREAD TENSION COMPONENTS



THREAD TENSION COMPONENTS

No.	Parts No.	Parts name	Remarks	Level	Cons	Qty
1	70004074	THREAD_TENSION_ASSY_UT59				1
2	13140504	TENSION SPRING		*		3
3	13340302	SHOULDER SCREW		*		1
4	26019000	THREAD TENSION SPRING		*		1
5	40042363	KNOB		*		2
6	40042364	KNOB GREEN		*		3
7	40042365	SPRING BUSHING		*		5
8	40042366	THREAD TENSION DISK PRESSER		*		5
9	40101602	THREAD_TENSION_DISC		*		10
10	40102003	SPRING		*		2
11	70001615	TENSION_DISC_EYELET_A		*		3
12	70001616	TENSION_DISC_EYELET_B		*		1
13	70001617	SPACER		*		4
14	70001620	TENSION_POST		*		4
15	70004070	TENSION_POST_NO.2		*		1
16	70004071	TENSION_DISC_EYELET_C		*		1
17	70004072	TENSION_POST_SUPPORT		*		1
18	70004073	TENSION_DISC_SEPARATOR		*		1
19	B3132552000	THREAD TENSION DISK PRESSER		*		1
20	70004067	DISK_RELEASE_PLATE_A				1
21	SM4040655SP	SCREW M4 L=6				1
22	PA0600504A0	AIR CYLINDER				1
23	PJ304040504	ELBOW UNION				1
24	70004068	DISK_RELEASE_PLATE_B				1
25	SD0470316TP	SHOULDER SCREW D=4.7 H=3.1				2
26	RO036080200	RUBBER RING				2
27	70004076	THREAD TENSION ASM.				1
28	70004077	THREAD TENSION POST		*		1
29	70004078	THREAD TENSION POST BASE		*		1
30	22921506	THREAD TENSION DISK		*		2
31	70004079	TENSION SPRING		*		1
32	PA0600504A0	AIR CYLINDER		*		1
33	22921803	DISK STOPPER		*		1
34	22921407	ROTATION STOPPER		*		1
35	22921308	THREAD TENSION NUT		*		1
36	70003449	AIR_CYLINDER_BRACKET				1
37	PJ304040504	ELBOW UNION				1
38	NM6160511SE	NUT M16X1.5				1
39	SM4040855SP	SCREW				2
40	70001618	PULL_OFF_LEVER_ASSY				1
41	40065785	TENS_RELEASE_ADJ_ECC				1
42	SM4041655SP	SCREW M4 L=16				1
43	RE0300000K0	E-RING 3				1
44	70001621	THREAD_GUIDE				1
45	SM4040655SP	SCREW M4 L=6				2
46	13456108	PULL_OFF_BAR				1
47	13456207	THD_P_O_HOOK_GUIDE				5

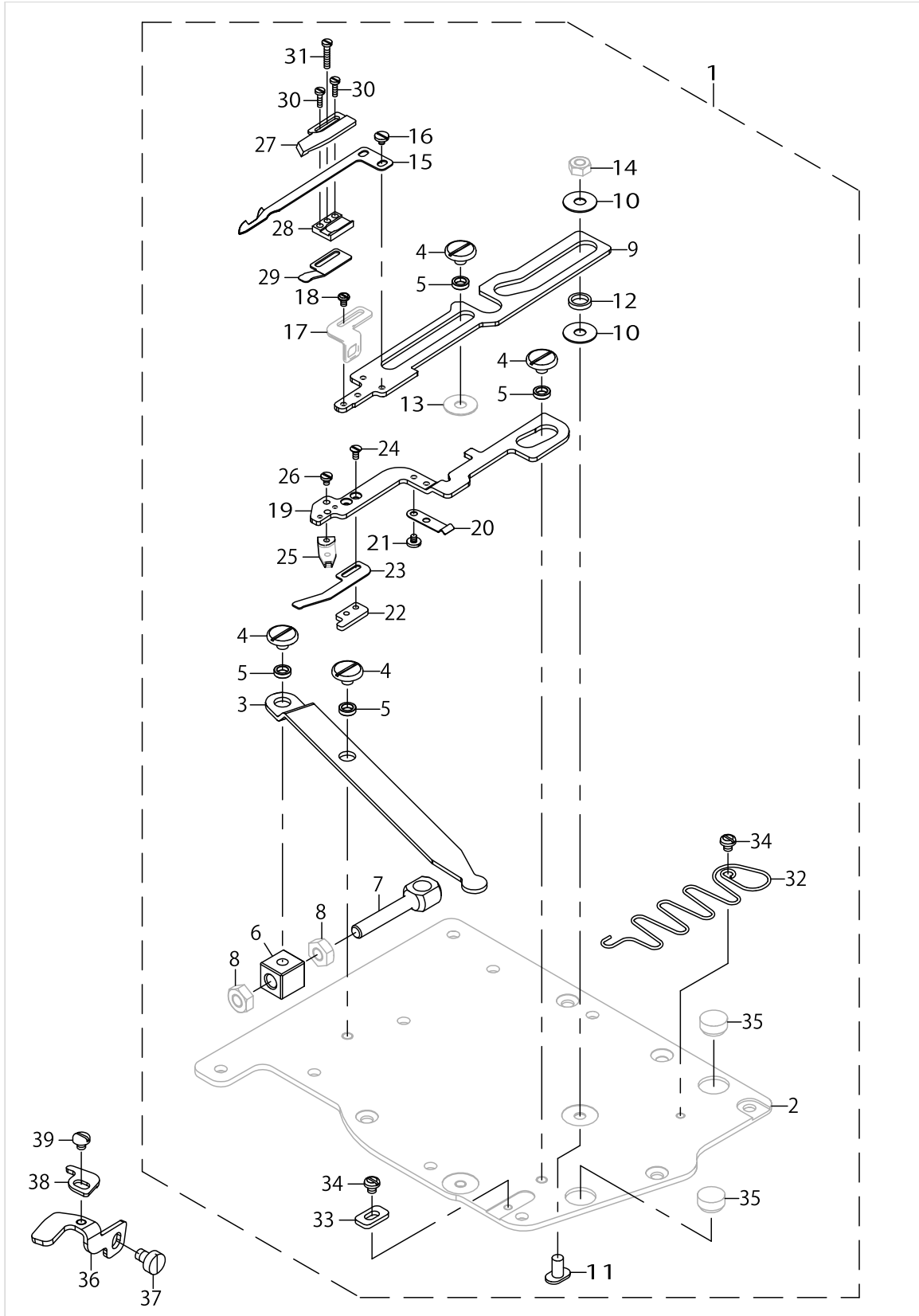
THREAD TENSION COMPONENTS



THREAD TENSION COMPONENTS

No.	Parts No.	Parts name	Remarks	Level	Cons	Qty
48	SM8040360TP	SCREW				5
49	SM8030412TP	SCREW				7
50	13456603	THD_PULL_OFF_HOOK				7
51	13456405	THD_PULL_OFF_BAR HOLDER				1
52	SM8040360TP	SCREW				1
53	70004069	TENSION_DISK_ROD				1
54	22945505	THREAD TENSION SPRING				1

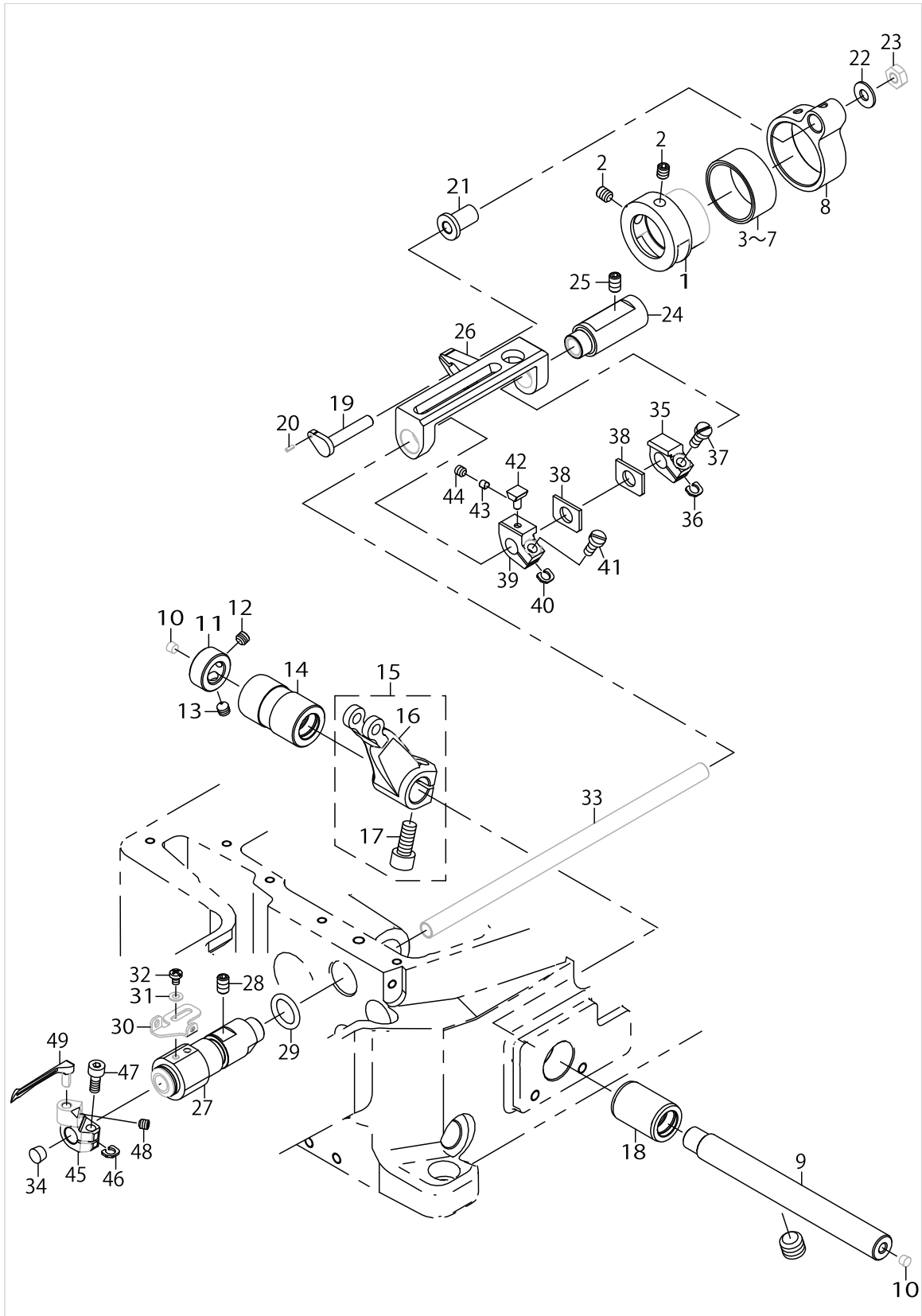
LOOPER THREAD TRIMMER COMPONENTS



LOOPER THREAD TRIMMER COMPONENTS

No.	Parts No.	Parts name	Remarks	Level	Cons	Qty
1	70004082	UNDER_TRIMMER_ASSY				1
2	70001662	COVER_PLATE		*		1
3	40086294	LEVER		*		1
4	40086303	SCREW_M4X0.5 L=4		*		4
5	40086293	COLLAR_D6		*		4
6	40086295	CONNECTING_BLOCK_A		*		1
7	40086296	CONNECTING_BLOCK_B		*		1
8	NM6050001SP	NUT M5		*		2
9	40086275	LOWER_KNIFE HOLDER		*		1
10	WP0420516KH	THRUST WASHER 4.2		*		2
11	40070110	SCREW		*		1
12	40086292	COLLAR_D8		*		1
13	WP0431005SP	PLAIN WASHER 4.3X12X1		*		1
14	NM6040001SP	NUT M4X0.7		*		1
15	70004083	LOWER_KNIFE		*		1
16	40086300	SCREW_M2L2.3		*		2
17	70001800	THREAD_GUIDE		*		1
18	40086301	SCREW_M2L3		*		2
19	70001801	KNIFE_GUIDE HOLDER		*		1
20	40086286	GUIDE_SPRING		*		1
21	40086300	SCREW_M2L2.3		*		2
22	40086282	PLATE		*		1
23	40086280	THREAD_CLAMP		*		1
24	SM1020450TP	SCREW M2 L=4		*		2
25	40086308	TENSION_LEVER		*		1
26	SM6020350SP	SCREW M2 L=2.5		*		1
27	40086277	UPPER_KNIFE		*		1
28	70004084	LOWER_KNIFE_GUIDE		*		1
29	40086279	KNIFE_SPRING		*		1
30	40086298	SCREW_M1.6L6		*		2
31	40086299	SCREW_M2L10		*		1
32	13440409	SPRING_FOR_UT		*		1
33	40086290	STOPPER		*		1
34	40086302	SCREW_M3L3		*		2
35	TA0980502R0	RUBBER PLUG		*		2
36	70004771	GUIDE_BASE				1
37	SM6040650TP	SCREW				1
38	70004772	GUIDE				1
39	40086302	SCREW_M3L3				1

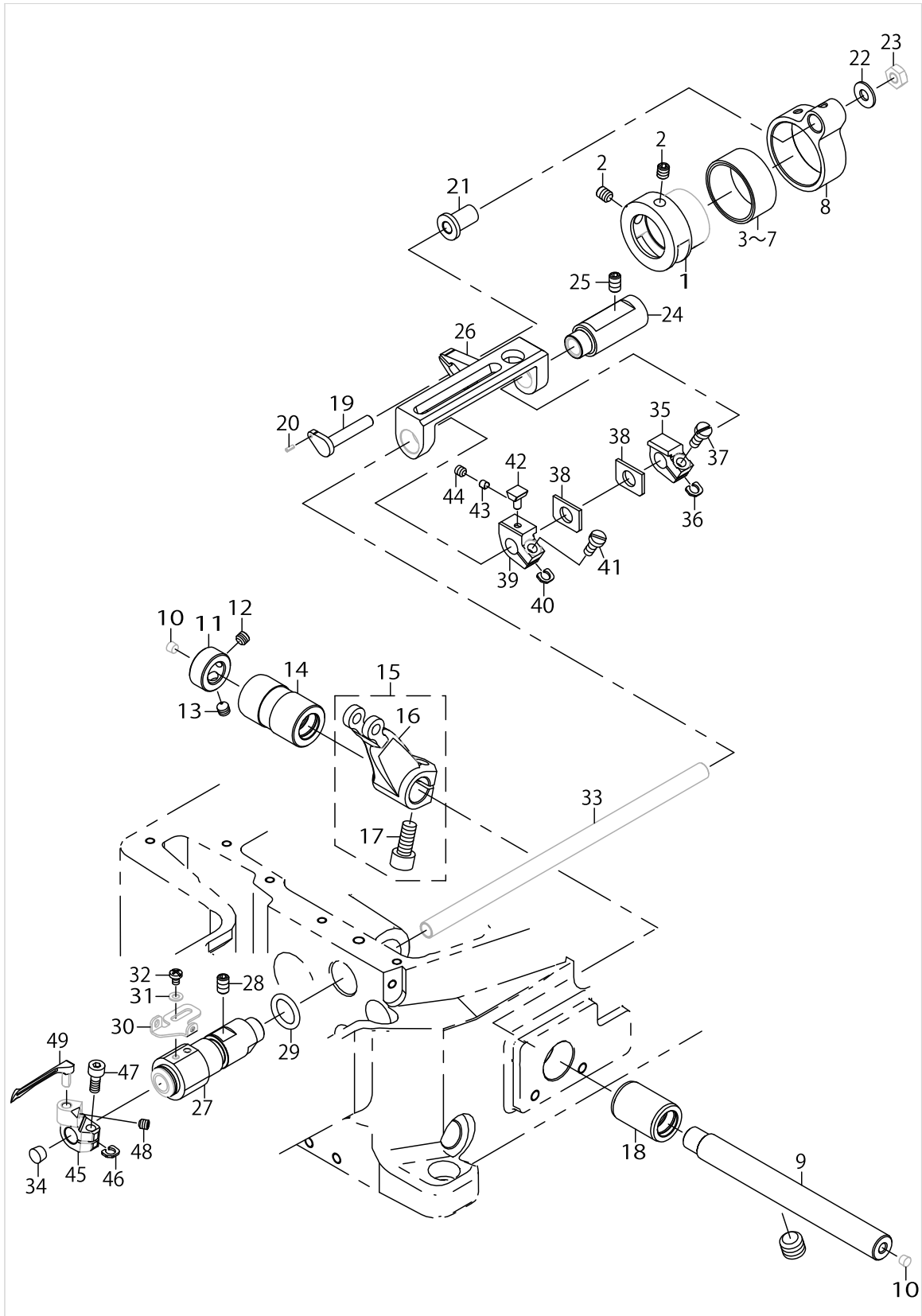
LOOPER COMPONENTS



LOOPER COMPONENTS

No.	Parts No.	Parts name	Remarks	Level	Cons	Qty
1	13422001	LOOPER ADOID ECCENTRIC				1
2	SM8050612TP	SCREW M5X6				2
3	SB32600020A	BEARING	SELECTIVE PARTS			1
4	SB32600020B	BEARING	SELECTIVE PARTS			1
5	SB32600020C	BEARING	SELECTIVE PARTS			1
6	SB32600020D	BEARING	SELECTIVE PARTS			1
7	SB32600020E	BEARING	SELECTIVE PARTS			1
8	13422605	LOOPER AVOID LINK				1
9	13424304	LOOPER SHAFT				1
10	TA0400301M0	PLUG D=4X4.5 L=3				2
11	CS1000881TP	THRUST COLLAR				1
12	SM8050412TP	SCREW M5 L=4				1
13	SM8050642TP	SCREW				1
14	13423900	BUSHING REAR				1
15	13424452	LEVER_ASSY				1
16	13424403	LEVER		*		1
17	SM6061402TP	SCREW M6 L=14		*		1
18	13424502	BUSHING FRONT				1
19	13422704	LOOPER AVOID PIN				1
20	PS0150042K0	SPRING PIN 1.5X 4				1
21	13422803	BUSHING				1
22	13120605	WASHER				1
23	NM6050001SC	NUT M5X0.8 TYPE1				1
24	13423009	BUSHING RIGHT				1
25	SM8050812TP	SCREW M5X8				1
26	13422902	GUIDE LOOPER BAR				1
27	70004052	BUSHING_LEFT_UT59				1
28	SM8050812TP	SCREW M5X8				1
29	RO118240100	O-RING				1
30	70001762	THREAD_GUIDE				1
31	WP0320500SC	WASHER M3				2
32	SM4030455SP	SCREW				2
33	13424601	LOOPER BAR				1
34	TA0600401R0	PLUG				1
35	13423405	HOLDER				1
36	13423801	WASHER				1
37	SM6041000SP	SCREW M4 L=10				1
38	13423603	WASHER				2
39	13423504	SLIDER HOLDER				1
40	13423801	WASHER				1
41	SM6041000SP	SCREW M4 L=10				1
42	13423306	SLIDER				1
43	13423702	PIN				1
44	SM8040412TP	SET SCREW M4 L=4				1
45	13424700	LOOPER HOLDER				1
46	13423801	WASHER				1
47	SM6041002TP	SCREW M4X0.7 L=10				1

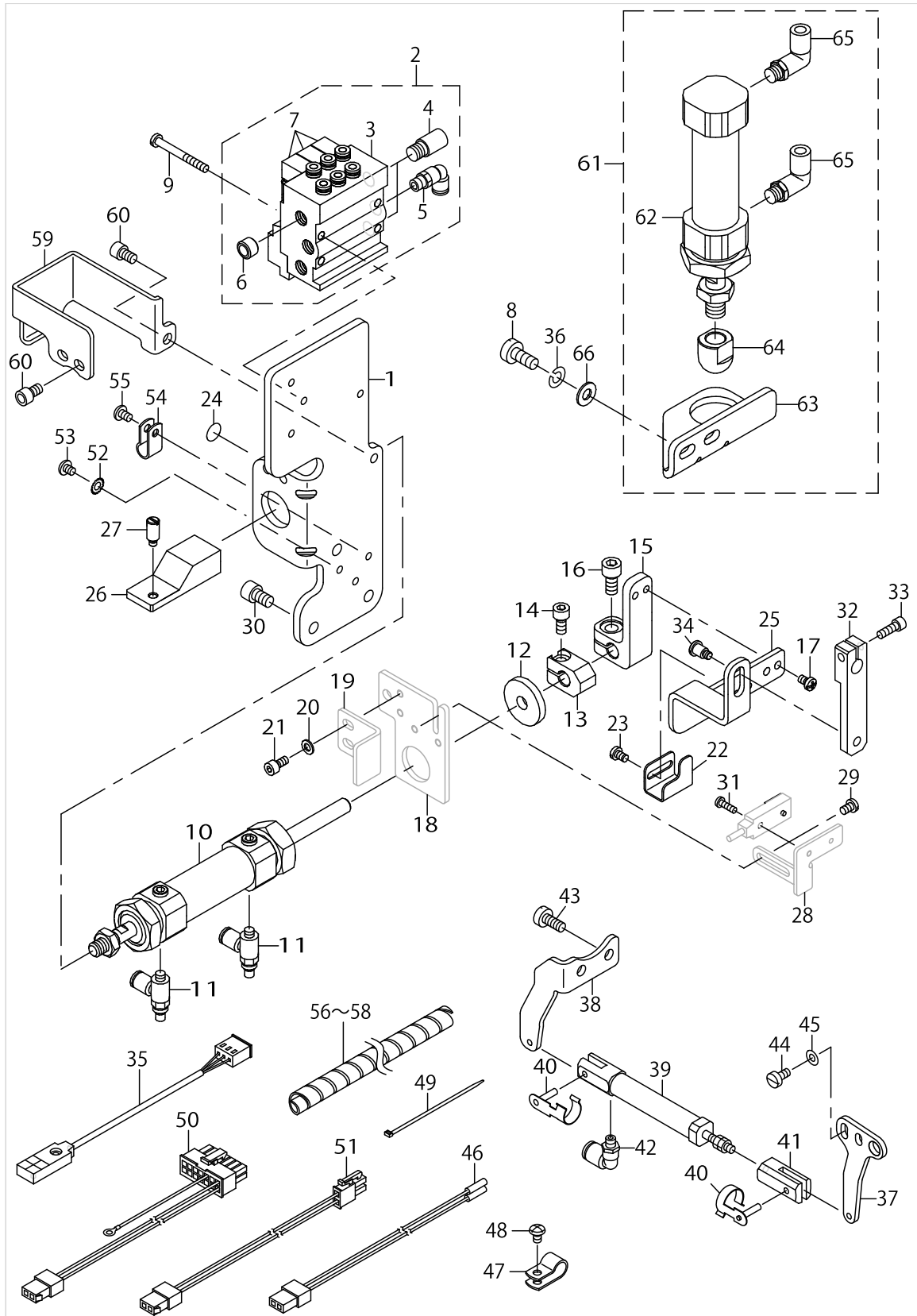
LOOPER COMPONENTS



LOOPER COMPONENTS

No.	Parts No.	Parts name	Remarks	Level	Cons	Qty
48	SM8040412TP	SET SCREW M4 L=4				1
49	13424809	LOOPER				1

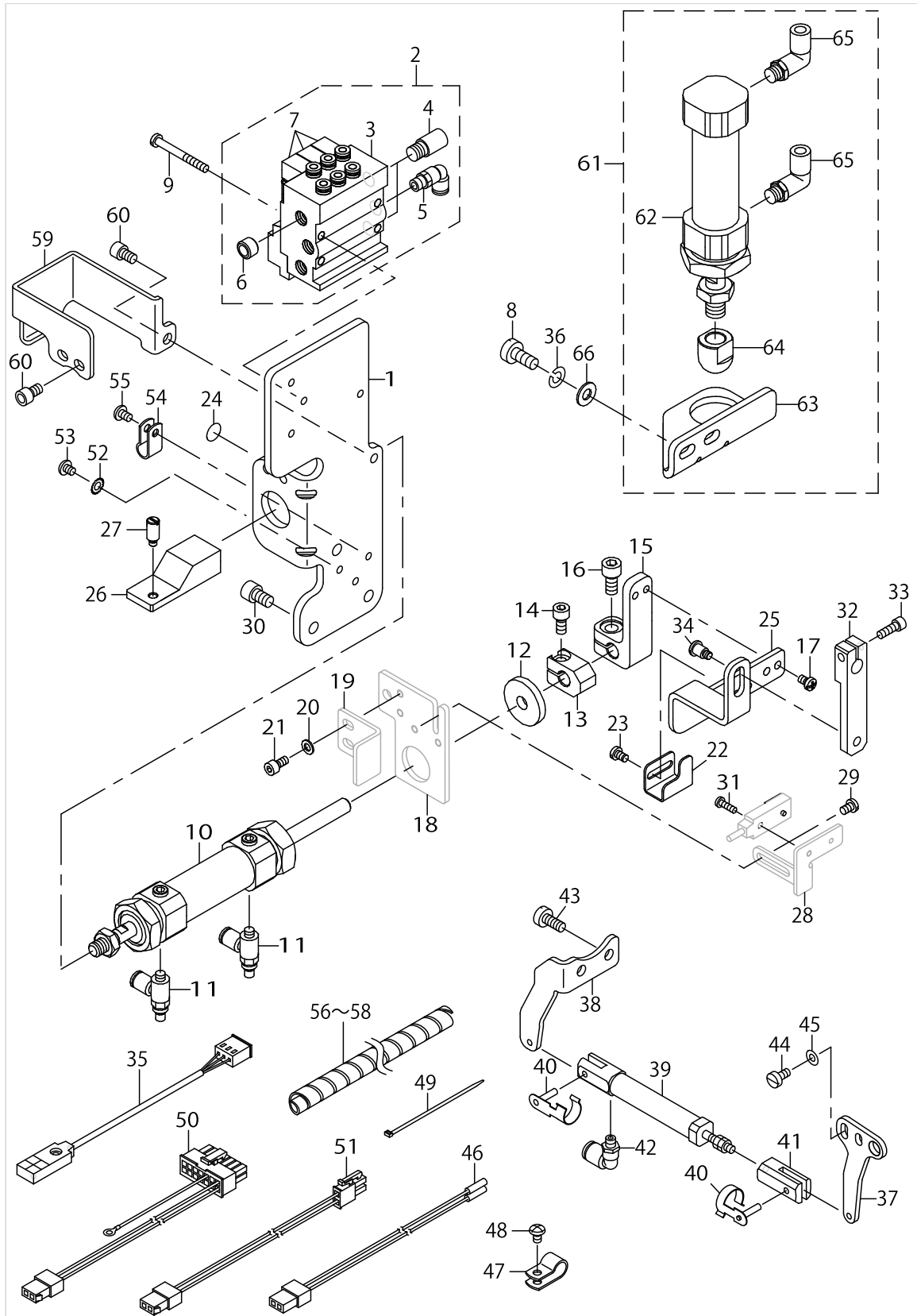
PNEUMATIC DRIVE & PRESSER FEED LIFTER COMPONENTS



PNEUMATIC DRIVE & PRESSER FEED LIFTER COMPONENTS

No.	Parts No.	Parts name	Remarks	Level	Cons	Qty
1	13442504	AIR_CYLINDER_BRACKET				1
2	70004075	MANIFOLD_VALVE_ASSY				1
3	PV035161000	MANIFOLD		*		1
4	PX055104000	SILENCER (PT1/8)		*		2
5	PJ304065101	ELBOW UNION 6XPT1/8		*		1
6	PJ025100002	PLUG R1/8		*		3
7	PV150103200	5-PORT SOKENOID VALVE		*		3
8	SM6061400SP	SCREW M6 L=14				2
9	SM4043555SP	SCREW				2
10	PA2001802A0	AIR CYLINDER				1
11	PC010508000	SPEED CONTROLLER				2
12	13443601	WASHER				1
13	13442900	COLLAR				1
14	SM6051002TP	SCREW M5X0.8 L=10				1
15	13443007	PLATE HOLDER				1
16	SM6061202TP	SCREW M6 L=12				1
17	SM4040655SP	SCREW M4 L=6				2
18	70001776	SENSOR HOLDER				1
19	70001778	SUPPORT_PLATE_UT				1
20	WP0430800SC	WASHER M4				2
21	SM6040802TP	SCREW M4X0.7 L=8				2
22	13443205	SWITCH_PLATE				1
23	SM4040655SP	SCREW M4 L=6				2
24	22901805	GROUND MARK				1
25	13443106	TENS_RELEASE_PLATE				1
26	13442603	PLUNGER				1
27	13442702	PIN				1
28	70001777	SENSOR HOLDER				1
29	SM4040655SP	SCREW M4 L=6				2
30	SM6061002TP	SCREW M6 L=10				3
31	SM4031001SN	SCREW				1
32	70001479	TENSION_RELEASE_LEVER				1
33	SM6041202TP	SCREW M4X0.7 L=12				1
34	SD0700706TP	SHOULDER SCREW				1
35	40021746	UNDER_TRIMMER_SENSOR_CABLE_ASM				1
36	WS0610002KP	SPRING WASHER				2
37	40019869	SS_LEVER				1
38	40019870	SS_CYLINDER_BKT				1
39	PA1002009B0	AIR CYLINDER				1
40	PX500005000	CYLINDER MOVING BASE				2
41	PX500006000	Y-SHAPE NUCKLE				1
42	PC010508000	SPEED CONTROLLER				1
43	SM6051200TP	SCREW				2
44	SM6040800SP	SCREW				2
45	WP0450826SC	WASHER 4.5X10X0.8				2
46	40019877	SS_CABLE_ASM				1
47	HX00150000C	CABLE CLAMP				2

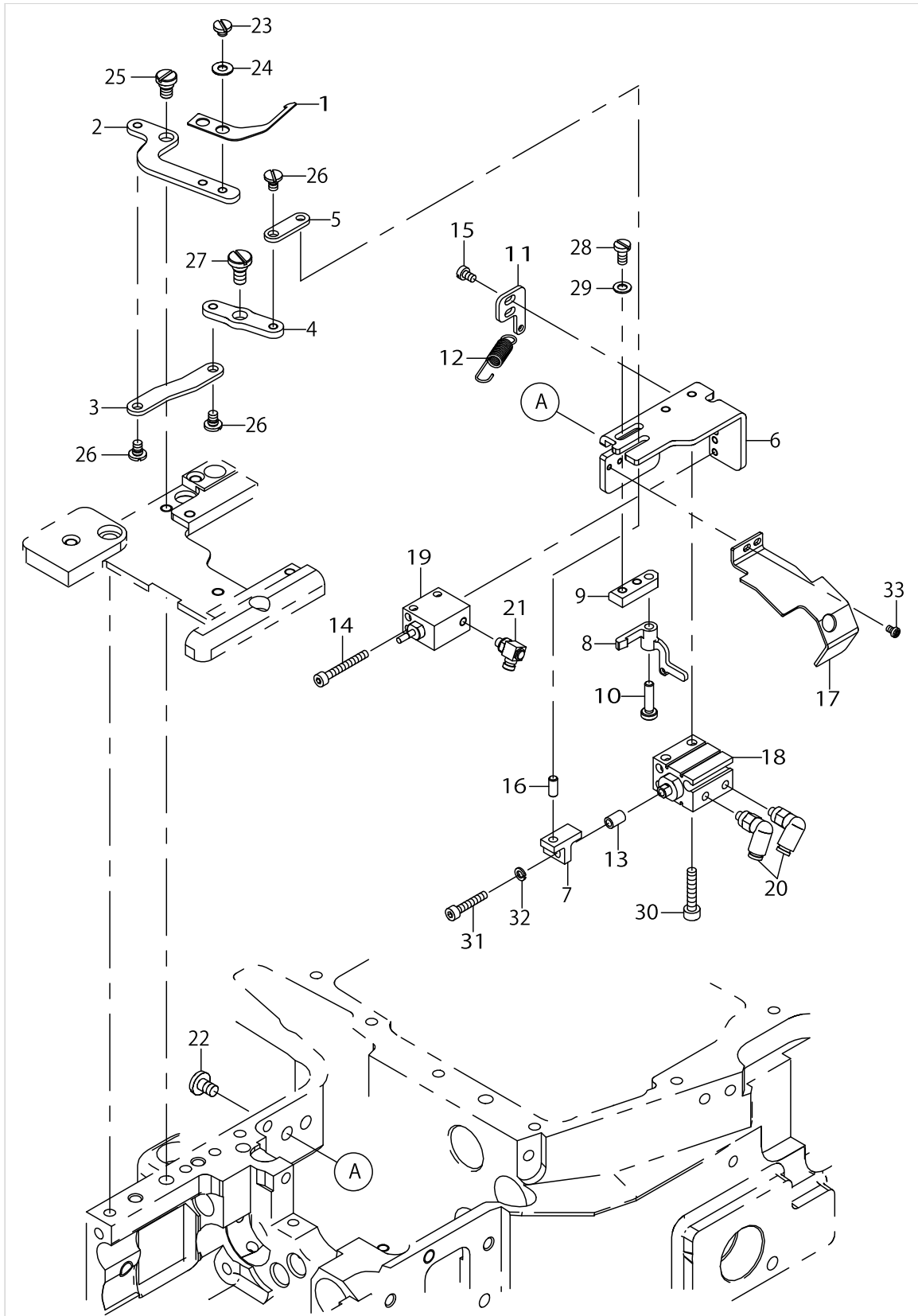
PNEUMATIC DRIVE & PRESSER FEED LIFTER COMPONENTS



PNEUMATIC DRIVE & PRESSER FEED LIFTER COMPONENTS

No.	Parts No.	Parts name	Remarks	Level	Cons	Qty
48	SM4040655SP	SCREW M4 L=6				2
49	EA9500B0100	CABLE BAND				3
50	40027211	UNDER_TRIMMER_CABLE_B_ASM				1
51	40027213	LIFT_UP_CABLE_B_ASM				1
52	WT0430002KN	WASHER M4				1
53	SM4040501SN	SCREW M4X0.7 L=5				1
54	HX00150000B	CABLE CLAMP				1
55	SM4040655SP	SCREW M4 L=6				1
56	HX003140000	SPIRAL TABE				0.96
57	HX00314000D	SPIRAL TUBE				0.12
58	HX00314000D	SPIRAL TUBE				0.1
59	40069703	SOLENOIDE_COVER				1
60	SM6050802TP	SCREW M5X0.8 L=8				3
61	40018079	PNEUMATIC_P_F_LIFTER_ASSY				1
62	PA2503004A0	AIR CYLINDER		*		1
63	13455001	AIR_CYLINDER_BRACKET		*		1
64	13455100	AIR_CYLINDER_CAP		*		1
65	PJ304045102	ELBOW UNION, C		*		2
66	WP0621016SD	WASHER 6.2X13X1				2

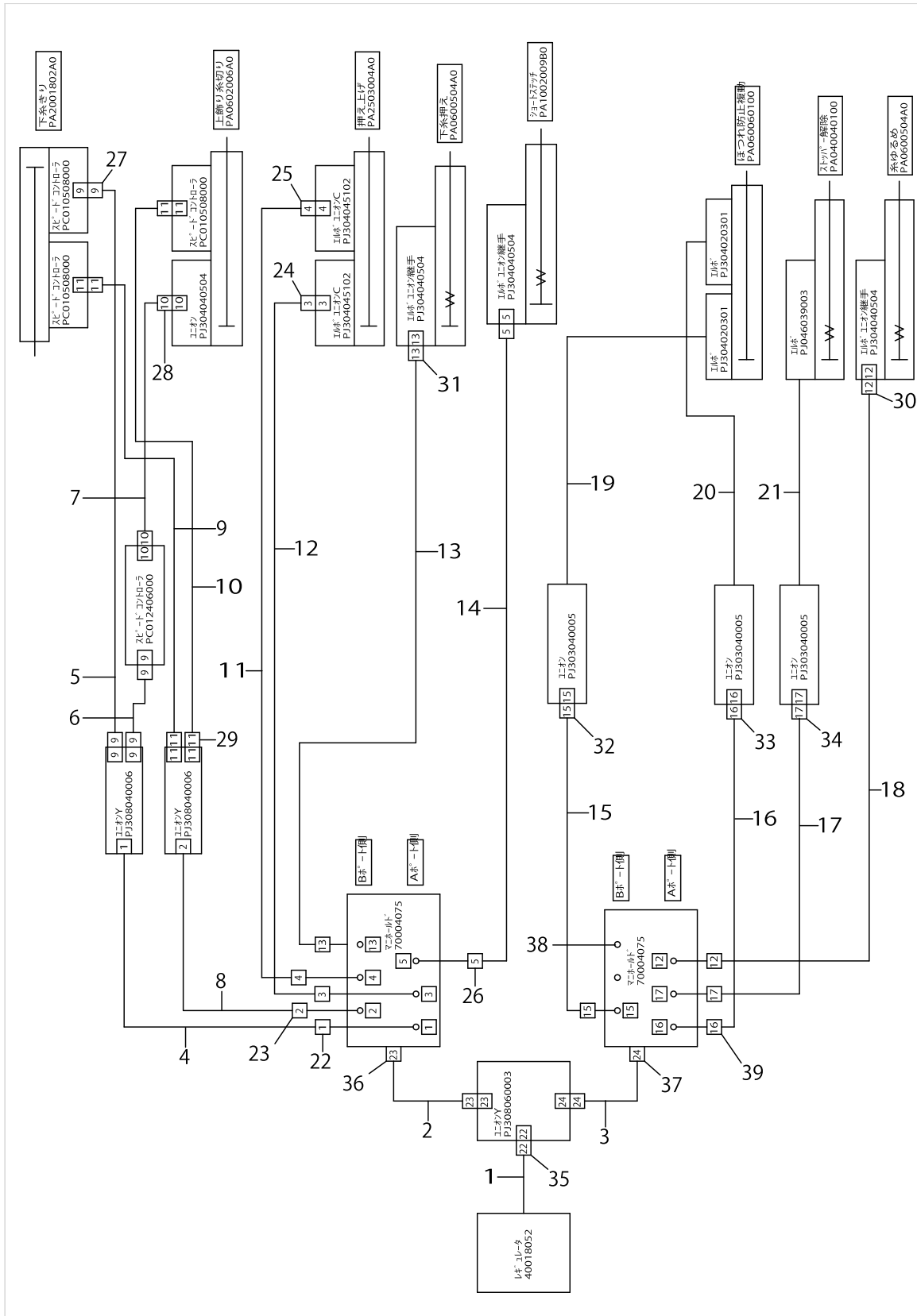
FRAY PREVENTION COMPONENTS



FRAY PREVENTION COMPONENTS

No.	Parts No.	Parts name	Remarks	Level	Cons	Qty
1	70003434	HOOK				1
2	70003435	HOOK_BASE				1
3	70003436	LINK_A				1
4	70003437	LINK_B				1
5	70003438	LINK_C				1
6	70003439	AIR_CYLINDER_BASE				1
7	70003440	AIR_CYLINDER_GUIDE				1
8	70003441	STOPPER				1
9	70003442	STOPPER_BASE				1
10	70003443	STOPPER_PIN				1
11	70003444	SPRING_BRACKET				1
12	70003447	SPRING				1
13	70003448	COLLAR				1
14	SM6852002TN	SCREW				2
15	SM6850400SP	SCREW M2.5 L=4				2
16	70003453	LINK_PIN				1
17	70003455	NDL_GUARD_COVER				1
18	PA060060100	AIR CYLINDER				1
19	PA040040100	AIR CYLINDER				1
20	PJ304020301	ELBOW				2
21	PJ046039003	ELBOW				1
22	SM5040655SN	SCREW				1
23	SM6030350SN	SCREW M3 L=2.5				2
24	WP0320501SE	WASHER 3				2
25	SD0500205TH	SHOULDER SCREW				1
26	SD0350156TP	SHOULDER SCREW				3
27	SD0600277TP	SHOULDER SCREW D=6 H=2.7				1
28	SM6030650TP	SCREW				2
29	WP0320500SC	WASHER M3				2
30	SM6031602TN	SCREW M3 L=16				2
31	SM6851452TN	SCREW M2.5 L=14				1
32	WS0260002KN	WASHER M2.6				1
33	SM4020301SC	SCREW M2X0.4 L=3				2

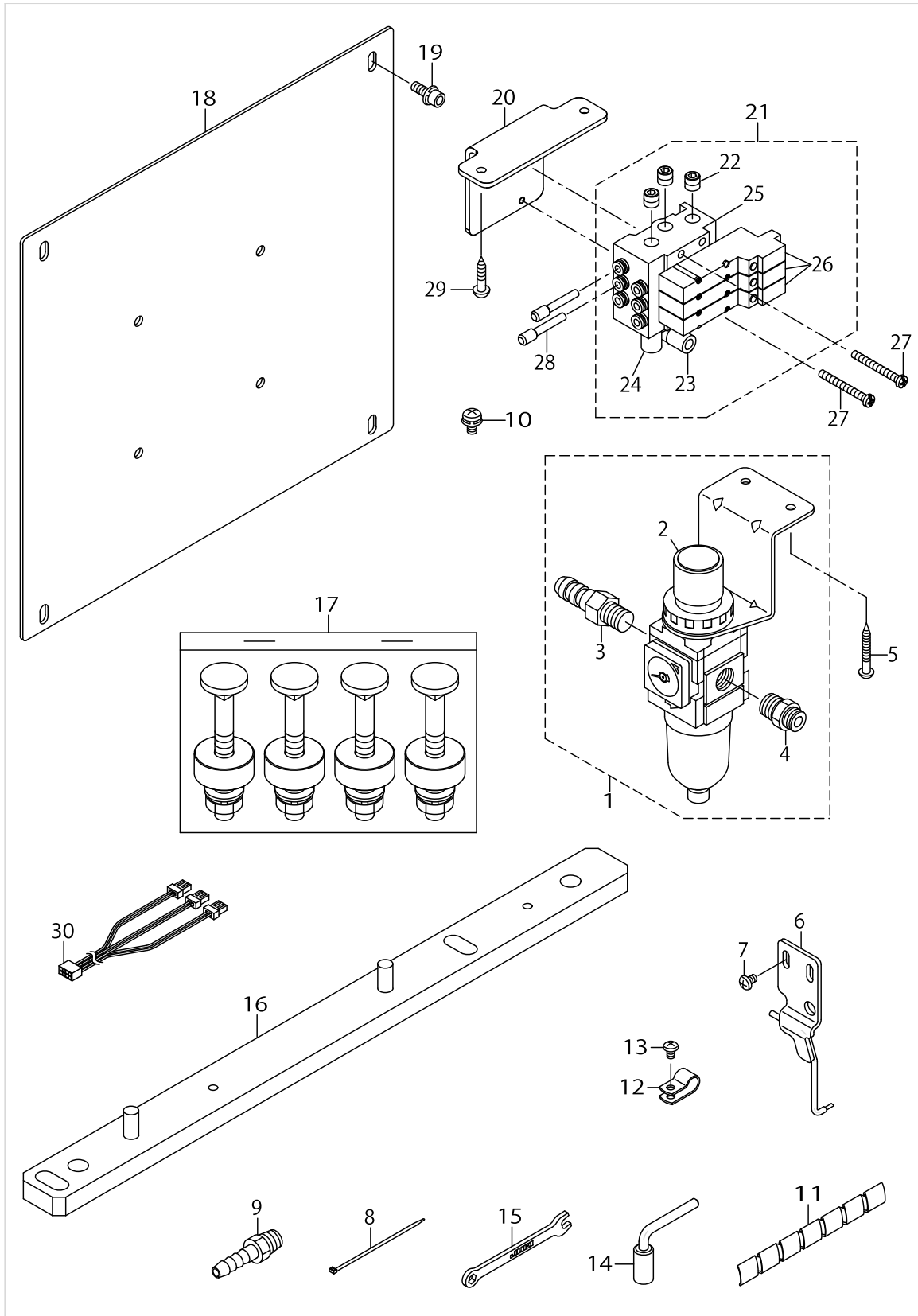
AIR PIPING DIAGRAM



AIR PIPING DIAGRAM

No.	Parts No.	Parts name	Remarks	Level	Cons	Qty
1	BT0600401EB	URETHANE TUBE BLACK 6X4				2
2	BT0600401EB	URETHANE TUBE BLACK 6X4				0.22
3	BT0600401EB	URETHANE TUBE BLACK 6X4				0.13
4	BT0400251EB	URETHANE TUBE BLACK 4X2.5				0.08
5	BT0400252EB	URETHANE TUBE BLACK 4X2.6				0.32
6	BT0400253EB	URETHANE TUBE BLACK 4X2.7				0.42
7	BT0400254EB	URETHANE TUBE BLACK 4X2.8				0.23
8	BT0400255EB	URETHANE TUBE BLACK 4X2.9				0.08
9	BT0400256EB	URETHANE TUBE BLACK 4X2.10				0.27
10	BT0400257EB	URETHANE TUBE BLACK 4X2.11				0.63
11	BT0400258EB	URETHANE TUBE BLACK 4X2.12				0.3
12	BT0400259EB	URETHANE TUBE BLACK 4X2.13				0.22
13	BT0400261EB	URETHANE TUBE BLACK 4X2.15				0.45
14	BT0400262EB	URETHANE TUBE BLACK 4X2.16				0.65
15	BT0400263EB	URETHANE TUBE BLACK 4X2.17				0.2
16	BT0400264EB	URETHANE TUBE BLACK 4X2.18				0.2
17	BT0400265EB	URETHANE TUBE BLACK 4X2.19				0.2
18	BT0400266EB	URETHANE TUBE BLACK 4X2.20				0.6
19	BT0180101EB	TUBE HOSE				0.35
20	BT0180102EB	TUBE HOSE 1.8X2				0.35
21	BT0180103EB	TUBE HOSE 1.8X3				0.35
22	18035006	CABLE MARK NO.1				3
23	18035105	WIRE MARK (2)				3
24	18035204	WIRE MARK (3)				4
25	18035303	WIRE MARK (4)				4
26	18035402	WIRE MARK (5)				3
27	18035808	WIRE MARK (9)				8
28	18035907	WIRE MARK (10)				4
29	18036004	WIRE MARK (11)				8
30	18036103	WIRE MARK (12)				2
31	18036202	WIRE MARK (13)				4
32	18036400	WIRE MARK (15)				2
33	18036509	WIRE MARK (16)				2
34	18036608	WIRE MARK (17)				2
35	18037101	WIRE MARK (22)				2
36	18037200	WIRE MARK (23)				3
37	18037309	WIRE MARK (24)				3
38	PX500014000	PLUG				2
39	70005079	WIRE_MARK				1

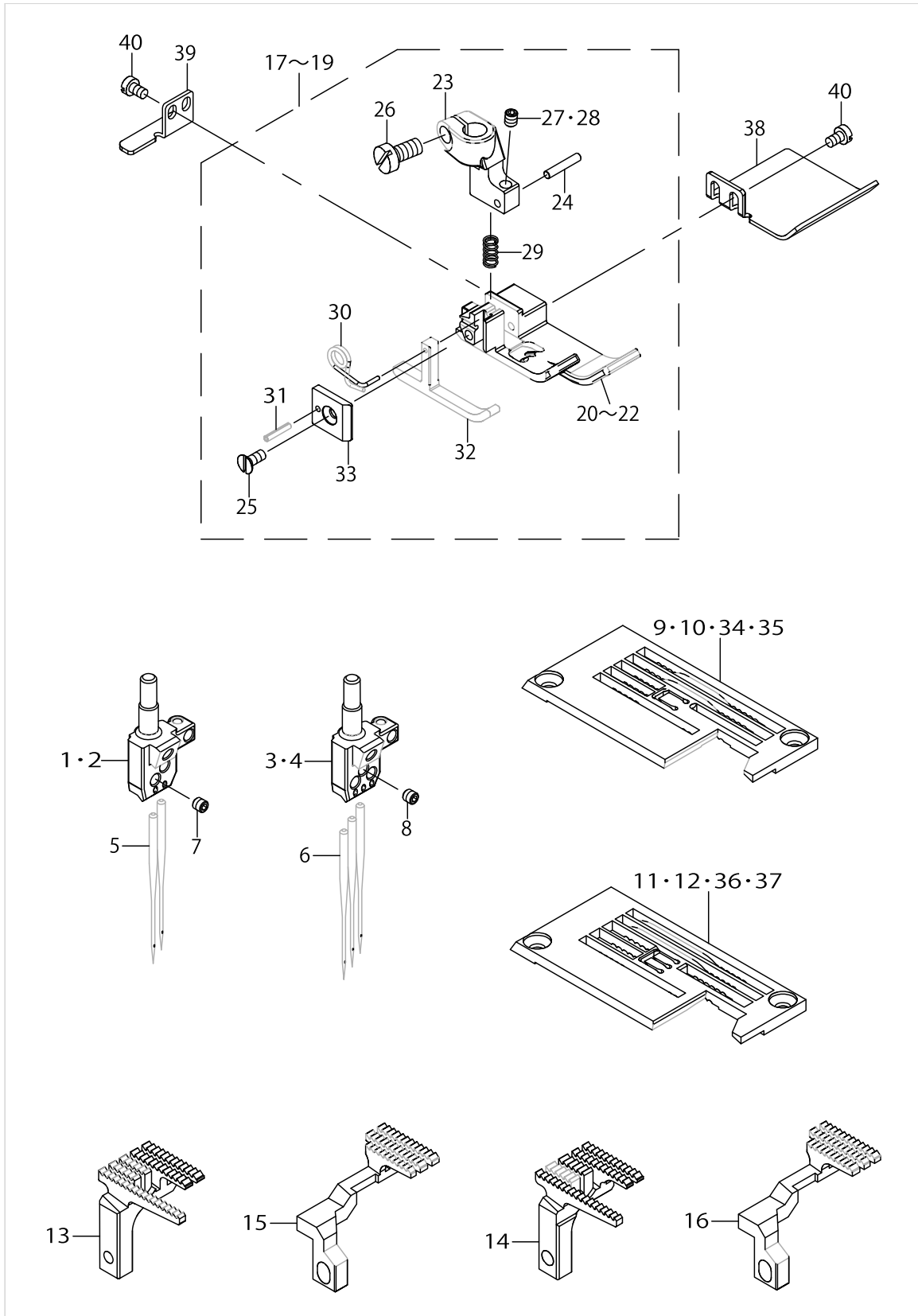
ACCESSORIE PARTS COMPONENTS



ACCESSORIE PARTS COMPONENTS

No.	Parts No.	Parts name	Remarks	Level	Cons	Qty
1	40018052	FILTER_REGULATOR_ASSY				1
2	PF0552070C0	FILTER GEGULATOR		*		1
3	F1021003000	HOSE JOINT		*		1
4	PJ301065201	HALF UNION 6XPT1/4		*		1
5	SK3452001SE	WOOD SCREW D=4.5 L=20				2
6	70001785	AIR_BLOW_WIPER_ASSY	FOR UT56			1
7	SM4040655SP	SCREW M4 L=6				2
8	EA9500B0100	CABLE BAND				3
9	PJ032526001	HOSE NIPPLE				1
10	SL4051091SC	SCREW M5X0.8 L=10	FOR HALF-SUNKEN TYPE TABLE			4
11	HX00314000A	SPIRAL TUBE				0.6
12	HX00150000C	CABLE CLAMP				1
13	SM4040655SP	SCREW M4 L=6				1
14	40073360	WRENCH				1
15	13160106	SPANNER (5X6)				1
16	70001843	SUPPORT_PLATE_ASSY	FOR HALF-SUNKEN TYPE TABLE			2
17	40026691	ASSY_BOLT_SET(7800_SUBMERGED)	FOR HALF-SUNKEN TYPE TABLE			1
18	40094198	SC_BRACKET	FOR HALF-SUNKEN TYPE TABLE			1
19	SL6051492TN	BOLT	FOR HALF-SUNKEN TYPE TABLE			4
20	70003446	MANIFOLD_BRACKET				1
21	70004075	MANIFOLD_VALVE_ASSY				1
22	PJ025100002	PLUG R1/8		*		3
23	PJ304065101	ELBOW UNION 6XPT1/8		*		1
24	PX055104000	SILENCER (PT1/8)		*		2
25	PV035161000	MANIFOLD		*		1
26	PV150103200	5-PORT SOKENOID VALVE		*		3
27	SM4043555SP	SCREW				2
28	PX500014000	PLUG				2
29	SK3452001SE	WOOD SCREW D=4.5 L=20				2
30	40136651	CABLE ASSY				1

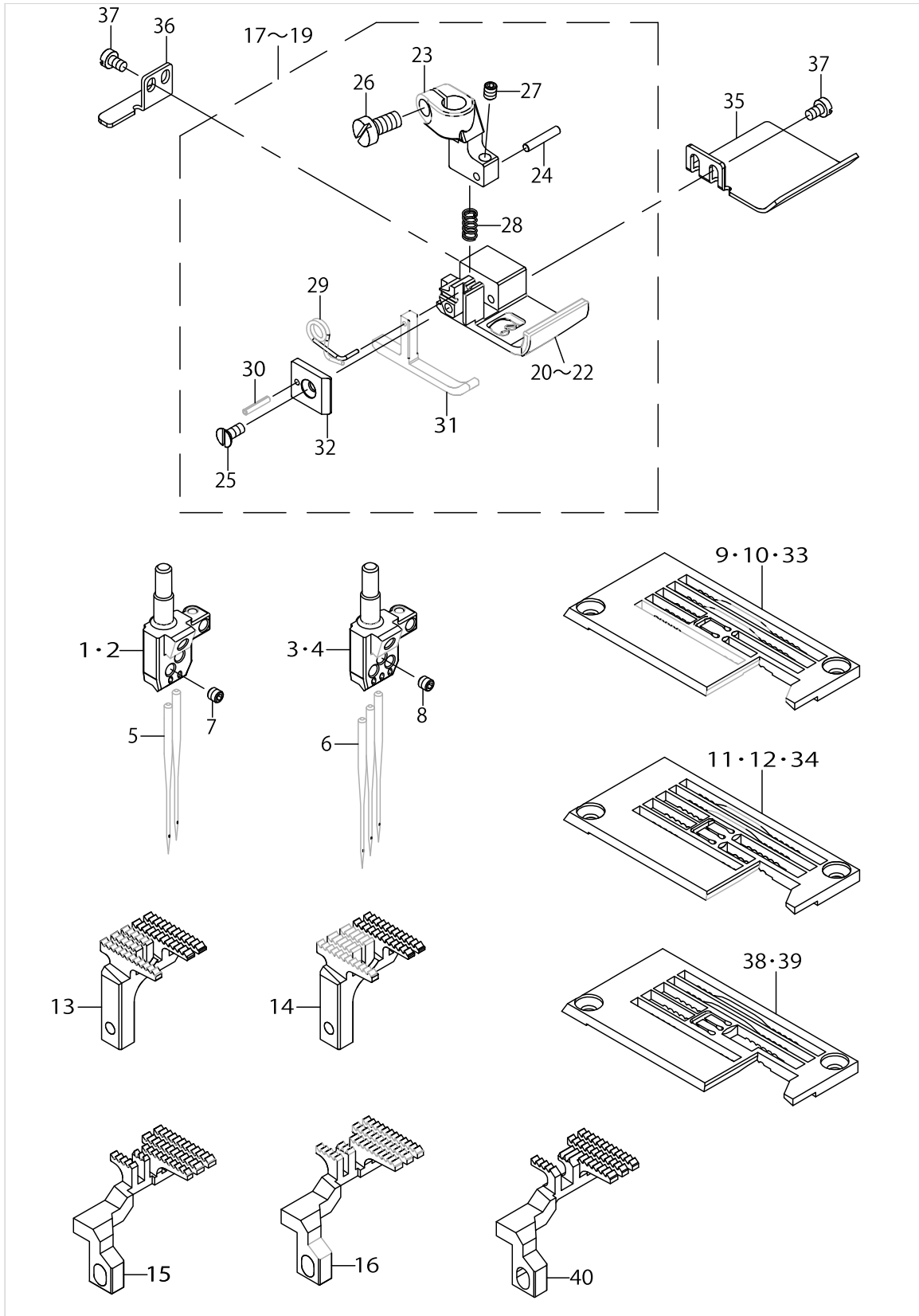
GAUGE COMPONENTS (FOR H22)



GAUGE COMPONENTS (FOR H22)

No.	Parts No.	Parts name	Remarks	Level	Cons	Qty
1	13350103	NEEDLE_HEAD_40	FOR B40			1
2	13350509	NEEDLE_HEAD_48	FOR B48			1
3	13350301	NEEDLE_HEAD_56	FOR B56			1
4	13350400	NEEDLE_HEAD_64	FOR B64			1
5	MUY128S1000	NEEDLE	FOR B40,B48			2
6	MUY128S1000	NEEDLE	FOR B56,B64			3
7	SM8030312TP	SCREW M3 L=3	FOR B40,B48			3
8	SM8030312TP	SCREW M3 L=3	FOR B56,B64			4
9	70001948	THROAT_PLATE	FOR B40			1
10	70001949	THROAT_PLATE	FOR B48			1
11	13445200	THROAT_PLATE	FOR B56			1
12	13445309	THROAT_PLATE	FOR B64			1
13	70004150	MAIN_FEED_DOG	FOR B40,B48			1
14	70004080	MAIN_FEED_DOG	FOR B56,B64			1
15	40069022	DIFF_FEED_DOG	FOR B40,B48			1
16	40069023	DIFF_FEED_DOG	FOR B56,B64			1
17	70001952	PRESSER_FOOT_ASSY	FOR B40			1
18	40032255	PRESSER_FOOT_ASSEMBLY_48	FOR B48			1
19	13467758	PRESSER_FOOT_ASSY	FOR B56,B64			1
20	70001951	PRESSER_FOOT_BOTTOM	FOR B40	*		1
21	13467600	PRESSER_FOOT_BOTTOM	FOR B48	*		1
22	40029648	PRESSER_FOOT_BOTTOM	FOR B56,B64	*		1
23	13467907	PRESSER_FOOT_SHANK		*		1
24	13375209	PIVOT_PIN		*		1
25	SM1850600SP	SCREW		*		1
26	SM6040800SP	SCREW		*		1
27	SM8030402TP	SCREW M3X0.5 L=4		*		1
28	SM8030412TP	SCREW	FOR B48	*		1
29	13377106	SPRING		*		1
30	13375308	SPRING_L		*		1
31	PS0150082KH	SPRING_PIN		*		1
32	40029649	YIELDING_SECTION		*		1
33	13468103	YIELDING_SECTION_PLATE		*		1
34	40069018	THROAT_PLATE	FOR B40(OPTION TYPE D)			1
35	70001950	THROAT_PLATE	FOR B48(OPTION TYPE D)			1
36	40069019	THROAT_PLATE	FOR B56(OPTION TYPE D)			1
37	40069020	THROAT_PLATE	FOR B64(OPTION TYPE D)			1
38	40038064	FABRIC_GUIDE	ACCESSORY PARTS			1
39	40027899	FABRIC_GUIDE	ACCESSORY PARTS			1
40	SM6850400SP	SCREW M2.5 L=4	ACCESSORY PARTS			4

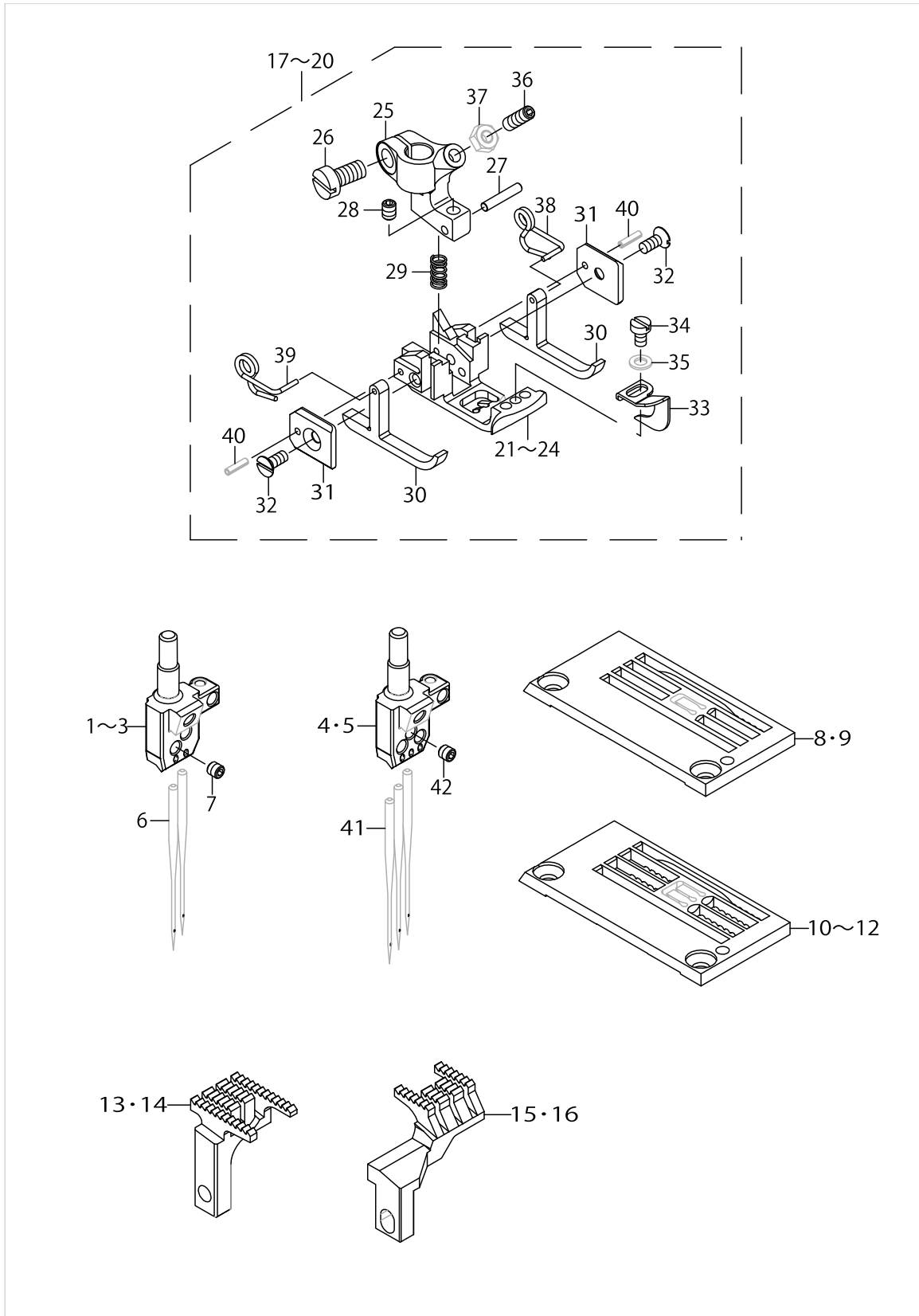
GAUGE COMPONENTS (FOR H23)



GAUGE COMPONENTS (FOR H23)

No.	Parts No.	Parts name	Remarks	Level	Cons	Qty
1	13350103	NEEDLE_HEAD_40	FOR B40			1
2	13350509	NEEDLE_HEAD_48	FOR B48			1
3	13350301	NEEDLE_HEAD_56	FOR B56			1
4	13350400	NEEDLE_HEAD_64	FOR B64			1
5	MUY128S1000	NEEDLE	FOR B40,B48			2
6	MUY128S1000	NEEDLE	FOR B56,B64			3
7	SM8030312TP	SCREW M3 L=3	FOR B40,B48			3
8	SM8030312TP	SCREW M3 L=3	FOR B56,B64			4
9	40058639	THROAT_PLATE H21B40	FOR B40			1
10	13445101	THROAT_PLATE	FOR B48			1
11	40041203	THROAT PLATE H20B56	FOR B56			1
12	40041204	THROAT PLATE H20B64	FOR B64			1
13	40041249	MAIN_FEED_DOG	FOR B40,B48			1
14	40032900	MAIN_FEED_DOG	FOR B56,B64			1
15	70004151	DIFF_FEED_DOG	FOR B40,B48			1
16	70004081	DIFF_FEED_DOG	FOR B56,B64			1
17	40048637	PRESSER_FOOT_ASSY	FOR B40			1
18	40039796	PRESSER_FOOT_ASSY	FOR B48			1
19	40039794	PRESSER_FOOT_ASSY	FOR B56,B64			1
20	40048636	PRESSER_FOOT_BOTTOM	FOR B40	*		1
21	40039795	PRESSER_FOOT_BOTTOM	FOR B48	*		1
22	40038066	PRESSER FOOT BOTTOM	FOR B56,B64	*		1
23	13467907	PRESSER_FOOT_SHANK		*		1
24	13375209	PIVOT_PIN		*		1
25	SM1850600SP	SCREW		*		1
26	SM6040800SP	SCREW		*		1
27	SM8030412TP	SCREW		*		1
28	13377106	SPRING		*		1
29	13375308	SPRING_L		*		1
30	PS0150082KH	SPRING PIN		*		1
31	40038032	YIELDING SECTION		*		1
32	13468103	YIELDING_SECTION_PLATE		*		1
33	40035066	THROAT_PLATE	FOR B40(OPTION TYPE D)			1
34	40049944	THROAT_PLATE	FOR B56(OPTION TYPE D)			1
35	40038064	FABRIC GUIDE	ACCESSORY PARTS			1
36	40027899	FABRIC_GUIDE	ACCESSORY PARTS			1
37	SM6850400SP	SCREW M2.5 L=4	ACCESSORY PARTS			4
38	70001885	THROAT_PLATE_B56	B56(FOR TURKEY)			1
39	70001886	THROAT_PLATE_D56	B56(FOR TURKEY OPTION TYPE D)			1
40	70004279	DIFF_FEED_DOG	B56(FOR TURKEY)			1

GAUGE COMPONENTS (FOR U11)



GAUGE COMPONENTS (FOR U11)

No.	Parts No.	Parts name	Remarks	Level	Cons	Qty
1	13350004	NEEDLE_HEAD_32	FOR B32			1
2	13350103	NEEDLE_HEAD_40	FOR B40			1
3	13350509	NEEDLE_HEAD_48	FOR B48			1
4	13350301	NEEDLE_HEAD_56	FOR B56			1
5	13350400	NEEDLE_HEAD_64	FOR B64			1
6	MUY128S1000	NEEDLE				2
7	SM8030312TP	SCREW M3 L=3				3
8	40058587	THROAT_PLATE	FOR B32			1
9	40058706	THROAT_PLATE	FOR B40			1
10	40040514	THROAT PLATE	FOR B48			1
11	40058033	THROAT_PLATE	FOR B56			1
12	40040513	THROAT PLATE	FOR B64			1
13	13431200	MAIN_FEED_DOG	FOR B32,B40,48			1
14	13430103	MAIN_FEED_DOG	FOR B56,B64			1
15	70004268	DIFF_FEED_DOG	FOR B32,B40,48			1
16	70004267	DIFF_FEED_DOG	FOR B56,B64			1
17	40090133	PRESSER_FOOT_ASSY	FOR B32			1
18	40090196	PRESSER_FOOT_ASSY	FOR B40			1
19	40090197	PRESSER_FOOT_ASSY	FOR B48			1
20	40082974	PRESSER_FOOT_ASSY	FOR B56,B64			1
21	40090130	PRESSER_FOOT_BOTTOM	FOR B32	*		1
22	40090131	PRESSER_FOOT_BOTTOM	FOR B40	*		1
23	40090132	PRESSER_FOOT_BOTTOM	FOR B48	*		1
24	40082975	PRESSER_FOOT_BOTTOM	FOR B56,B64	*		1
25	40070224	PRESSER_FOOT_HINGE		*		1
26	SM6040800SP	SCREW		*		1
27	13375209	PIVOT_PIN		*		1
28	SM8030412TP	SCREW		*		1
29	13377106	SPRING		*		1
30	40070226	P_F_YIELDING_SECTION		*		2
31	40070227	GUIDE_PLATE		*		2
32	SM1850600SP	SCREW		*		2
33	40070231	PRESSER_FOOT_GUIDE		*		1
34	SM6850400SP	SCREW M2.5 L=4		*		1
35	WP0280500SC	WASHER		*		1
36	SM8031002TP	SCREW		*		1
37	NM6030001SD	NUT M3X0.5		*		1
38	40070230	SPRING_R		*		1
39	40070229	SPRING_L		*		1
40	PS0150065KP	SPRING PIN 1.5X6		*		2
41	MUY128S1000	NEEDLE				3
42	SM8030312TP	SCREW M3 L=3				4

HOW TO MAKE USE OF THIS PARTS LIST

- 1.As to "#01" and "#02" refer to the "Note" given at the bottom of the respective pages.
- 2.Codes on the "Qty" column
 - Each numeral indicates the number of parts required.
 - "0.1" and "2.5" indicate the length (in meters) of the respective parts.
- 3.Parentheses mean that the corresponding part is a subpart that constructs an assembly part.
- 4.Dotted lines on the Figures indicate assembly parts.

1. リストページの# 0 1、# 0 2の印は、ページ下の"注記"の説明を参照下さい。
2. 数量欄の数字は、個数を表し、0. 1、2. 5等の数値は、長さ（単位メートル）を表します。
3. 数量欄の（ ）は、組部品を構成している子部品であることを意味します。
4. イラストページの-----枠は、組構成であることを意味します。

ALL PARTS NOT MENTIONED IN THIS PARTS LIST ARE SAME AS THOSE OF
MODEL MF-7900. OTHER PARTS LIST RELATED TO THIS MODEL.
*MF-7900. (NO.1599 PART NO.70002009)

このパーツリスト記載以外の部品はMF-7900.と共通です。
この機種に関連するパーツリストとして下記のパーツリストがあります。
*MF-7900. (NO.1599 品番70002009)

NUMERICAL INDEX OF PARTS

PART NO	PAGE	REF NO.	PART NO	PAGE	REF NO.	PART NO	PAGE	REF NO.
13120605	16	22	13423405	16	35	18035808	26	27
13140504	10	2	13423504	16	39	18035907	26	28
13160106	28	15	13423603	16	38	18036004	26	29
13301809	2	33	13423702	16	43	18036103	26	30
13301809	6	28	13423801	16	46	18036202	26	31
13302203	2	20	13423900	16	14	18036400	26	32
13302302	2	35	13424304	16	9	18036509	26	33
13302302	6	30	13424403	16	16	18036608	26	34
13340302	10	3	13424452	16	15	18037101	26	35
13350004	34	1~3	13424502	16	18	18037200	26	36
13350103	30	1·2	13424601	16	33	18037309	26	37
13350103	32	1·2	13424700	16	45	22901409	4	74
13350103	34	1~3	13424809	18	49	22901409	6	17
13350301	30	3·4	13430103	34	13·14	22901805	20	24
13350301	32	3·4	13431200	34	13·14	22921308	10	35
13350301	34	4·5	13440409	14	32	22921407	10	34
13350400	30	3·4	13442504	20	1	22921506	10	30
13350400	32	3·4	13442603	20	26	22921803	10	33
13350400	34	4·5	13442702	20	27	22945505	12	54
13350509	30	1·2	13442900	20	13	26019000	10	4
13350509	32	1·2	13443007	20	15	40018052	28	1
13350509	34	1~3	13443106	20	25	40018079	22	61
13375209	30	24	13443205	20	22	40019868	4	57
13375209	32	24	13443601	20	12	40019868	6	13
13375209	34	27	13445101	32	9·10·33	40019869	20	37
13375308	30	30	13445200	30	11·12·36- ·37	40019870	20	38
13375308	32	29				40019877	20	46
13377106	30	29	13445309	30	11·12·36- ·37	40021746	20	35
13377106	32	28	13455001	22	63	40026691	28	17
13377106	34	29	13455100	22	64	40027211	22	50
13401906	2	5	13456108	10	46	40027213	22	51
13401906	6	5	13456207	10	47	40027899	30	39
13402003	2	12	13456405	12	51	40027899	32	36
13402003	6	22	13456603	12	50	40029648	30	20~22
13402706	2	40	13467600	30	20~22	40029649	30	32
13402706	6	35	13467758	30	17~19	40030059	4	56
13409800	4	55	13467907	30	23	40030059	6	12
13409800	6	40	13467907	32	23	40032255	30	17~19
13422001	16	1	13468103	30	33	40032900	32	14
13422605	16	8	13468103	32	32	40035066	32	9·10·33
13422704	16	19	18035006	26	22	40038032	32	31
13422803	16	21	18035105	26	23	40038064	30	38
13422902	16	26	18035204	26	24	40038064	32	35
13423009	16	24	18035303	26	25	40038066	32	20~22
13423306	16	42	18035402	26	26	40039794	32	17~19

NUMERICAL INDEX OF PARTS

PART NO	PAGE	REF NO.	PART NO	PAGE	REF NO.	PART NO	PAGE	REF NO.
40039795	32	20~22	40086292	14	12	70001650	6	29
40039796	32	17~19	40086293	14	5	70001652	6	43
40040255	4	48	40086294	14	3	70001655	2	2
40040255	6	27	40086295	14	6	70001655	6	2
40040513	34	10~12	40086296	14	7	70001661	2	10
40040514	34	10~12	40086298	14	30	70001661	6	10
40041203	32	11·12·34	40086299	14	31	70001662	14	2
40041204	32	11·12·34	40086300	14	21	70001663	2	23
40041249	32	13	40086301	14	18	70001663	6	20
40042363	10	5	40086302	14	39	70001673	2	28
40042364	10	6	40086303	14	4	70001673	8	50
40042365	10	7	40086308	14	25	70001678	6	44
40042366	10	8	40090130	34	21~24	70001762	16	30
40048636	32	20~22	40090131	34	21~24	70001776	20	18
40048637	32	17~19	40090132	34	21~24	70001777	20	28
40049944	32	11·12·34	40090133	34	17~20	70001778	20	19
40058033	34	10~12	40090196	34	17~20	70001785	28	6
40058587	34	8·9	40090197	34	17~20	70001800	14	17
40058639	32	9·10·33	40094198	28	18	70001801	14	19
40058706	34	8·9	40101602	10	9	70001843	28	16
40065785	10	41	40102003	10	10	70001866	2	1
40069018	30	9·10·34·35	40119461	2	18	70001870	2	34
40069019	30	11·12·36- ·37	40119461	8	53	70001885	32	38·39
40069020	30	11·12·36- ·37	40136651	28	30	70001886	32	38·39
40069022	30	15	70001413	2	17	70001890	2	13
40069023	30	16	70001413	8	52	70001948	30	9·10·34·35
40069703	22	59	70001414	4	53	70001949	30	9·10·34·35
40070110	14	11	70001414	6	38	70001950	30	9·10·34·35
40070224	34	25	70001457	2	19	70001951	30	20~22
40070226	34	30	70001457	8	54	70001952	30	17~19
40070227	34	31	70001479	20	32	70003355	4	61
40070229	34	39	70001484	8	62	70003355	6	24
40070230	34	38	70001615	10	11	70003432	4	62
40070231	34	33	70001616	10	12	70003433	4	63
40073360	28	14	70001617	10	13	70003434	24	1
40082974	34	17~20	70001618	10	40	70003435	24	2
40082975	34	21~24	70001620	10	14	70003436	24	3
40086275	14	9	70001621	10	44	70003437	24	4
40086277	14	27	70001642	2	24	70003438	24	5
40086279	14	29	70001642	8	59	70003439	24	6
40086280	14	23	70001643	2	25	70003440	24	7
40086282	14	22	70001643	8	60	70003441	24	8
40086286	14	20	70001646	4	52	70003442	24	9
40086290	14	33	70001648	2	36	70003443	24	10
			70001648	6	31	70003444	24	11

NUMERICAL INDEX OF PARTS

PART NO	PAGE	REF NO.	PART NO	PAGE	REF NO.	PART NO	PAGE	REF NO.
70003446	28	20	70004772	14	38	NM6040000SN	8	58
70003447	24	12	70004847	2	42	NM6040001SC	8	49
70003448	24	13	70004848	4	78	NM6040001SP	14	14
70003449	10	36	70005079	26	39	NM6050001SC	16	23
70003451	4	64	B3132552000	10	19	NM6050001SP	14	8
70003452	4	65	BT0180101EB	26	19	NM6160511SE	10	38
70003453	24	16	BT0180102EB	26	20	PA040040100	24	19
70003455	24	17	BT0180103EB	26	21	PA0600504A0	10	32
70003456	4	67	BT0400251EB	26	4	PA060060100	24	18
70003457	4	68	BT0400252EB	26	5	PA1002009B0	20	39
70003457	6	18	BT0400253EB	26	6	PA2001802A0	20	10
70004052	16	27	BT0400254EB	26	7	PA2503004A0	22	62
70004067	10	20	BT0400255EB	26	8	PC010508000	20	42
70004068	10	24	BT0400256EB	26	9	PF0552070C0	28	2
70004069	12	53	BT0400257EB	26	10	PH0300252C0	2	7
70004070	10	15	BT0400258EB	26	11	PH0300252C0	6	7
70004071	10	16	BT0400259EB	26	12	PJ025100002	20	6
70004072	10	17	BT0400261EB	26	13	PJ025100002	28	22
70004073	10	18	BT0400262EB	26	14	PJ032526001	28	9
70004074	10	1	BT0400263EB	26	15	PJ046039003	24	21
70004075	20	2	BT0400264EB	26	16	PJ301065201	28	4
70004075	28	21	BT0400265EB	26	17	PJ304020301	24	20
70004076	10	27	BT0400266EB	26	18	PJ304040504	10	37
70004077	10	28	BT0600401EB	26	3	PJ304045102	22	65
70004078	10	29	BT0600402EA	4	73	PJ304065101	20	5
70004079	10	31	CM300200001	4	58	PJ304065101	28	23
70004080	30	14	CM300200001	6	14	PS0150042K0	16	20
70004081	32	16	CS1000881TP	16	11	PS0150065KP	34	40
70004082	14	1	EA9500B0100	22	49	PS0150082KH	30	31
70004083	14	15	EA9500B0100	28	8	PS0150082KH	32	30
70004084	14	28	F1021003000	28	3	PV035161000	20	3
70004150	30	13	HX00150000B	22	54	PV035161000	28	25
70004151	32	15	HX00150000C	20	47	PV150103200	20	7
70004247	4	66	HX00150000C	28	12	PV150103200	28	26
70004248	2	45	HX003140000	22	56~58	PX055104000	20	4
70004255	8	57	HX00314000A	28	11	PX055104000	28	24
70004256	6	3	HX00314000D	4	77	PX500005000	20	40
70004258	6	1	HX00314000D	8	67	PX500006000	20	41
70004262	8	65	HX00314000D	22	56~58	PX500014000	26	38
70004264	6	26	MUY128S1000	30	6	PX500014000	28	28
70004265	6	33	MUY128S1000	32	6	RE0300000K0	10	43
70004267	34	15·16	MUY128S1000	34	41	RO036080200	10	26
70004268	34	15·16	NM6030001SD	34	37	RO037180100	2	9
70004279	32	40	NM6040000SN	2	76	RO037180100	6	9
70004771	14	36	NM6040000SN	4	76	RO118240100	16	29

NUMERICAL INDEX OF PARTS

PART NO	PAGE	REF NO.	PART NO	PAGE	REF NO.	PART NO	PAGE	REF NO.
SB32600020A	16	3~7	SM4041655SP	10	42	SM6850400SP	30	40
SB32600020B	16	3~7	SM4042055SP	2	11	SM6850400SP	32	37
SB32600020C	16	3~7	SM4042055SP	6	11	SM6850400SP	34	34
SB32600020D	16	3~7	SM4043555SP	20	9	SM6851452TN	24	31
SB32600020E	16	3~7	SM4043555SP	28	27	SM6852002TN	24	14
SD0350156TP	24	26	SM4051455SP	2	59	SM8030312TP	30	8
SD0470316TP	10	25	SM4051455SP	4	59	SM8030312TP	32	8
SD0500205TH	24	25	SM4051455SP	6	56	SM8030312TP	34	42
SD0600277TP	24	27	SM4051455SP	8	56	SM8030402TP	30	27·28
SD0700706TP	20	34	SM5040655SN	4	71	SM8030412TP	12	49
SK3452001SE	28	29	SM5040655SN	24	22	SM8030412TP	30	27·28
SL4051091SC	28	10	SM6020350SP	14	26	SM8030412TP	32	27
SL6042092TN	2	21	SM6030350SN	24	23	SM8030412TP	34	28
SL6042092TN	8	55	SM6030650TP	24	28	SM8031002TP	34	36
SL6051492TN	28	19	SM6030800SP	6	45	SM8040360TP	2	41
SM1020450TP	14	24	SM6031602TN	24	30	SM8040360TP	6	36
SM1040650TP	4	69	SM6040450TP	2	47	SM8040360TP	12	52
SM1040650TP	8	66	SM6040602TN	4	72	SM8040412TP	2	37
SM1040800SP	2	39	SM6040602TN	6	19	SM8040412TP	6	32
SM1040800SP	6	34	SM6040650TP	14	37	SM8040412TP	16	48
SM1040860SP	2	16	SM6040750TP	4	70	SM8040412TP	18	48
SM1040860SP	6	23	SM6040750TP	8	64	SM8041012TP	4	75
SM1850600SP	30	25	SM6040800SP	2	4	SM8041012TP	8	63
SM1850600SP	32	25	SM6040800SP	6	21	SM8050412TP	16	12
SM1850600SP	34	32	SM6040800SP	20	44	SM8050612TP	16	2
SM4020301SC	24	33	SM6040800SP	30	26	SM8050642TP	16	13
SM4030455SP	16	32	SM6040800SP	32	26	SM8050812TP	16	28
SM4031001SN	20	31	SM6040800SP	34	26	TA0400301M0	16	10
SM4040501SN	22	53	SM6040802TP	20	21	TA0600401R0	16	34
SM4040655SP	2	60	SM6041000SP	16	41	TA0980502R0	14	35
SM4040655SP	4	60	SM6041002TP	16	47	WP0280500SC	34	35
SM4040655SP	6	51	SM6041202TP	20	33	WP0320500SC	16	31
SM4040655SP	8	51	SM6050800SP	2	31	WP0320500SC	24	29
SM4040655SP	10	45	SM6050800SP	6	42	WP0320501SE	24	24
SM4040655SP	20	55	SM6050802TP	22	60	WP0420516KH	14	10
SM4040655SP	22	55	SM6051000SP	2	38	WP0430800SC	20	20
SM4040655SP	28	13	SM6051002TP	20	14	WP0430801SC	2	50
SM4040855SP	2	49	SM6051200TP	20	43	WP0430801SC	4	50
SM4040855SP	4	49	SM6061002TP	20	30	WP0430801SC	6	41
SM4040855SP	6	61	SM6061202TP	20	16	WP0431005SP	14	13
SM4040855SP	8	61	SM6061400SP	20	8	WP0450801SC	6	47
SM4040855SP	10	39	SM6061402TP	16	17	WP0450826SC	20	45
SM4041055SP	2	32	SM6850350TP	4	79	WP0621016SD	22	66
SM4041055SP	6	48	SM6850400SP	2	43	WS0260002KN	24	32
SM4041055SP	8	48	SM6850400SP	24	15	WS0510002KP	4	54

NUMERICAL INDEX OF PARTS

PART NO	PAGE	REF NO.
WS0510002KP	6	39
WS0610002KP	20	36
WT0430002KN	22	52