

MODEL : PLC-2710/PLC-2710-7/PLC-2760/PLC-2760-7/PLC-2765
List No : 1629-06

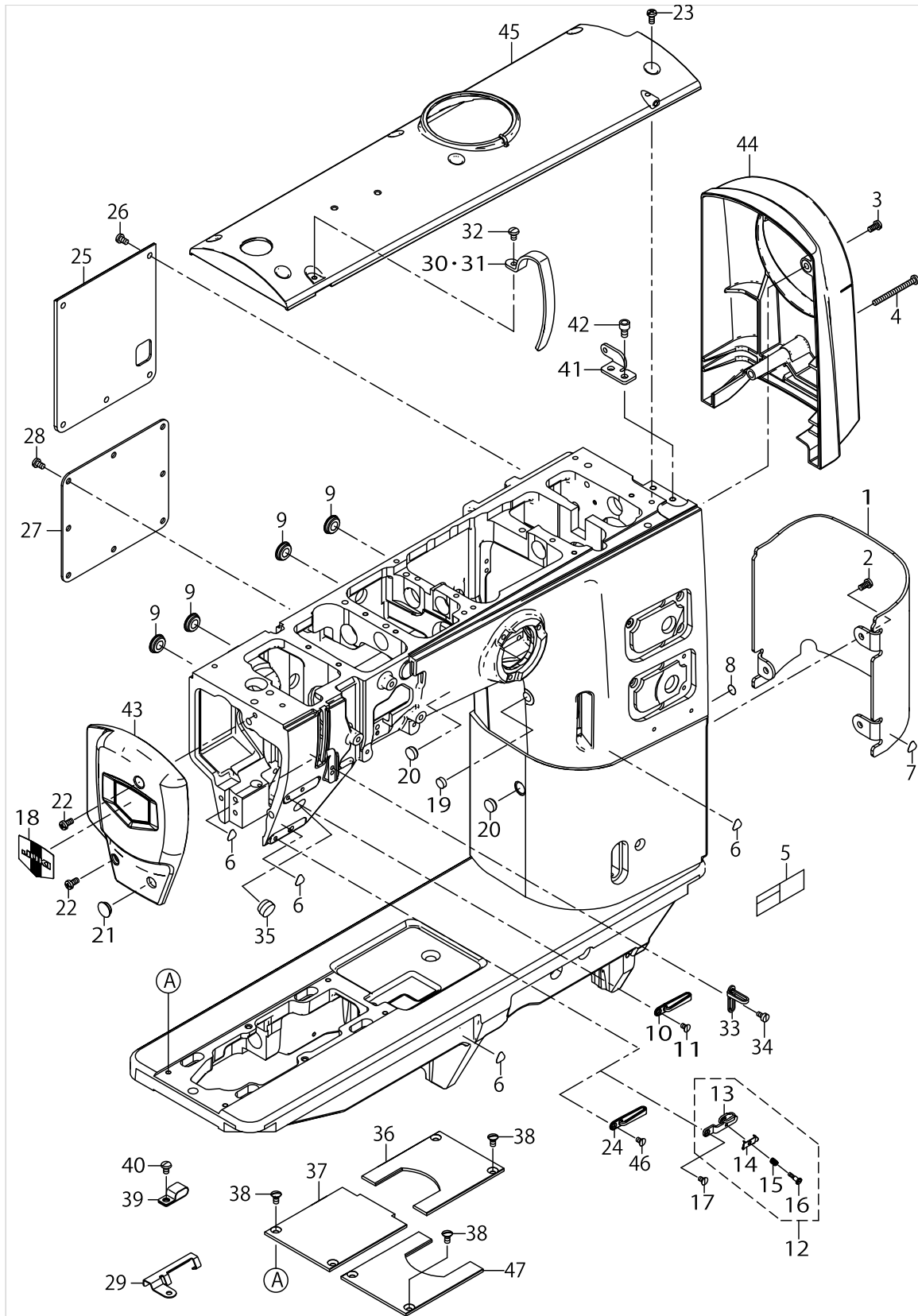
PARTS LIST

Published:09/22/2017

CONTENTS

FRAME & MISCELLANEOUS COVER COMPONENTS	1
MAIN SHAFT & THREAD TAKE-UP LEVER COMPONENTS	3
NEEDLE BAR COMPONENTS	7
NEEDLE BAR COMPONENTS (FOR PLC-2765).....	9
LOWER SHAFT COMPONENTS.....	11
OPENNER COMPONENTS	15
HOOK COMPONENTS.....	17
UPPER FEED COMPONENTS.....	21
HAND LIFTER & AUTO LIFTER COMPONENTS.....	25
KNEE LIFTER COMPONENTS (FOR PLC-2710,2760,2760L,2765)	29
LOWER FEED COMPONENTS.....	31
FEED ADJUST COMPONENTS.....	37
DL COMPONENTS(FOR PLC-2710-7,2760-7,2710(WITH AK,BT,DL),2760(WITH AK,BT,DL),2760L (WITH AK,BT,DL),2765(WITH AK,BT,DL))	43
AUTO BT COMPONENTS(FOR PLC-2710-7,2760-7,2710(WITH AK,BT,DL),2760(WITH AK,BT, DL),2760L(WITH AK,BT,DL),2765(WITH AK,BT,DL))	45
6-RANGE SW COMPONENTS(FOR PLC-2710-7,2760-7,2710(WITH AK,BT,DL),2760(WITH AK,BT, DL),2760L(WITH AK,BT,DL),2765(WITH AK,BT,DL))	47
SPEED ADJUST COMPONENTS(FOR PLC-2710-7,2760-7).....	49
THREAD CUTTING COMPONENTS(FOR PLC-2710-7,2760-7)	51
CONDENSE COMPONENTS(FOR PLC-2710-7,2760-7)	57
THREAD TENSION COMPONENTS(FOR PLC-2710,2710-7)	59
THREAD TENSION COMPONENTS(FOR PLC-2760,2760-7,2760L).....	61
NEEDLE STOP CHANGE LEVER & THREAD TENSION COMPONENTS(FOR PLC-2765).....	65
TENSION RELEASE COMPONENTS(FOR PLC-2710-7,2760-7)	69
PNEUMATIC COMPONENTS(FOR PLC-2710-7,2760-7).....	71
BOBBIN WINDER COMPONENTS.....	73
LUBRICATION COMPONENTS	75
THREAD STAND COMPONENTS(FOR PLC-2710,2710-7).....	81
THREAD STAND COMPONENTS(FOR PLC-2760,2760-7,2760L,2765)	83
ACCESSORIES PARTS COMPONENTS (1).....	85
ACCESSORIES PARTS COMPONENTS (2).....	87
TABLE OF EXCHANGING GAUGE PARTS(FOR PLC-2710,2710-7).....	91
TABLE OF EXCHANGING GAUGE PARTS(1)(FOR PLC-2760,2760-7,2760L,2765)	93
TABLE OF EXCHANGING GAUGE PARTS(2)(FOR PLC-2760,2760-7,2760L,2765)	97
SC-922A KIT COMPONENTS (OPTIONAL PARTS).....	99
SUSPENSION SQUARE COMPONENTS (OPTIONAL PARTS)	101
AK KIT COMPONENTS (OPTIONAL PARTS)(FOR PLC-2710,2760,2760L,2765).....	103
BT,DL KIT COMPONENTS (OPTIONAL PARTS)(FOR PLC-2710(WITH AK),2760(WITH AK),2760L (WITH AK))	105
BT,DL KIT COMPONENTS (OPTIONAL PARTS)(FOR PLC-2765(WITH AK))	109
AK,BT,DL KIT COMPONENTS (OPTIONAL PARTS)(FOR PLC-2710,2760,2760L)	113
AK,BT,DL KIT COMPONENTS (OPTIONAL PARTS)(FOR PLC-2765).....	117
OPTIONAL PARTS	121
LIST FOR INFOMATION OF CHANGE (1).....	123
LIST FOR INFOMATION OF CHANGE (2).....	124
HOW TO MAKE USE OF THIS PARTS LIST	125

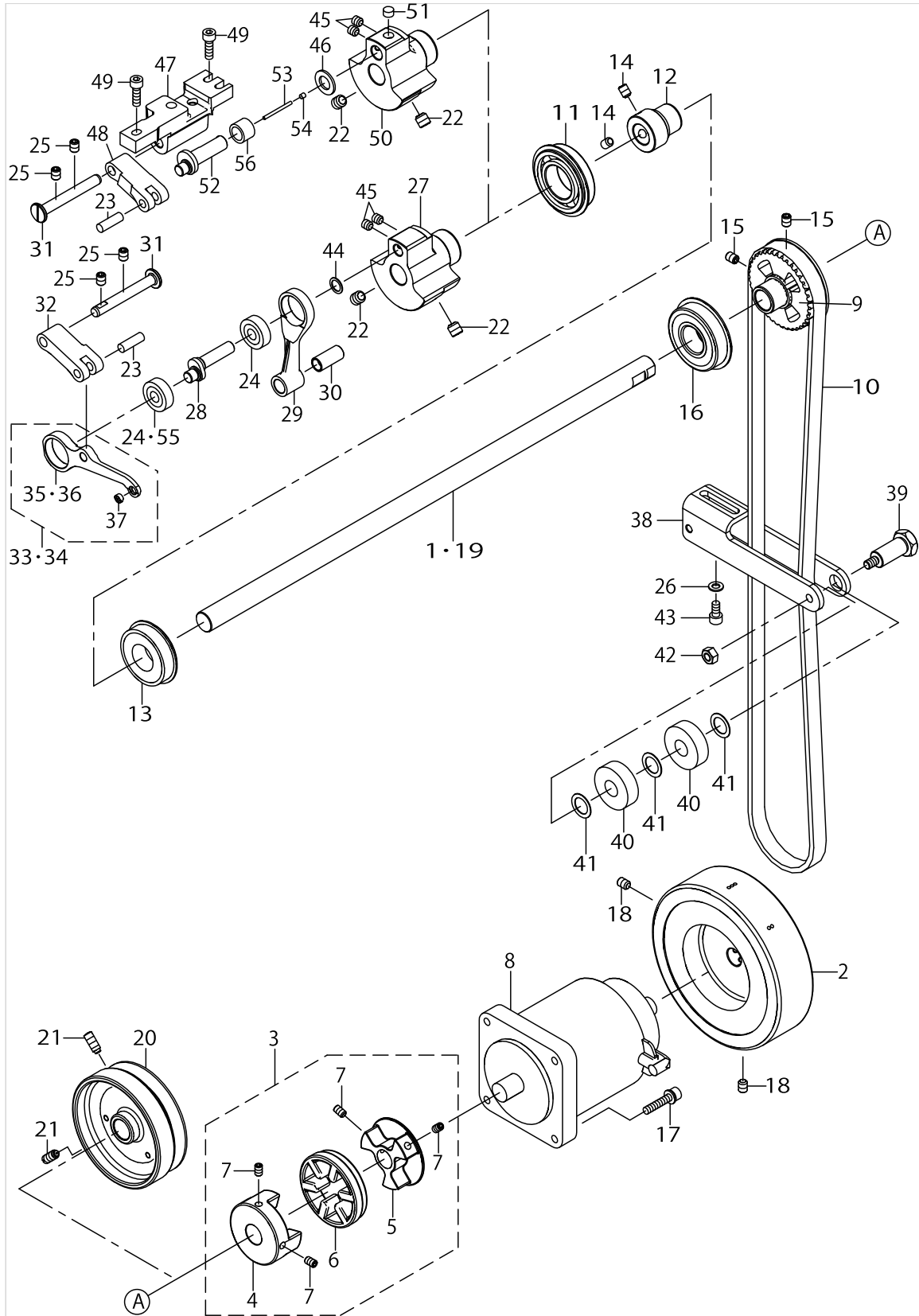
FRAME & MISCELLANEOUS COVER COMPONENTS



FRAME & MISCELLANEOUS COVER COMPONENTS

No.	Parts No.	Parts name	Remarks	Level	Cons	Qty
1	40129977	POST_COVER	FOR PLC-2710-7,2760-7			1
2	SM4051055SP	SCREW	FOR PLC-2710-7,2760-7			3
3	SM4051055SP	SCREW	FOR PLC-2710-7,2760-7			2
4	SM4055501SC	SCREW M5X0.8 L=55	FOR PLC-2710-7,2760-7			1
5	40102261	SAFETY_LABEL_S				1
6	CM300200001	ATTENTION SEAL				4
7	CM300200001	ATTENTION SEAL	FOR PLC-2710-7,2760-7			1
8	22901805	GROUND MARK				1
9	TA1650406R0	PRUG				4
10	40084142	THREAD_GUIDE_LOWER			☆	1
11	SM1040750TP	SCREW M4 L=7				1
12	40034675	THREAD_GUIDE_ASM_E	FOR PLC-2710-7,2760-7,2765		☆	1
13	40034674	THREAD_GUIDE		*		1
14	40042716	THREAD_PRESSER_PLATE		*		1
15	B1132521000	THREAD PRESSER PLATE SPRING		*		1
16	SD0380556TL	SHOULDER SCREW D=3.8 H=5.5		*		1
17	SM1040750TP	SCREW M4 L=7	FOR PLC-2710-7,2760-7			1
18	22902506	FACE PLATE				1
19	TA1030402R0	RUBBER PLUG D=10.3 L=4				1
20	TA1270502R0	RUBBER PLUG				2
21	TA1250406R0	RUBBER PLUG D=12.5 L=4				1
22	SM4051055SP	SCREW				2
23	SM4051055SP	SCREW				6
24	40084142	THREAD_GUIDE_LOWER	FOR PLC-2710,2760,2760L		☆	1
25	40129995	APERTURE_COVER				1
26	SM4050855SP	SCREW				5
27	40129975	APERTURE_PLATE				1
28	SM4050855SP	SCREW				8
29	40134805	CABLE HOLDER	FOR PLC-2710-7,2760-7			1
30	40134834	THREAD_TAKE_UP_LEVER COVER	FOR PLC-2760L			1
31	23600505	THREAD TAKE-UP LEVER COVER				1
32	SM4051055SP	SCREW				1
33	40126221	THREAD_GUIDE			☆	1
34	SM6040870SP	SCREW				1
35	TA1550902R0	PLUG				1
36	40129982	BED_COVER_A				1
37	40129983	BED_COVER_B	FOR PLC-2710,2710-7			1
38	SM2051000SC	SCREW				4
39	D2112555B00	CORD HOLDER LARGE	FOR PLC-2710-7,2760-7			3
40	SM4050855SP	SCREW	FOR PLC-2710-7,2760-7			2
41	40112277	PLATE	FOR PLC-2710,2760,2765,2760L			1
42	SM6061002TP	SCREW M6 L=10	FOR PLC-2710,2760,2765,2760L			2
43	40130704	FACE_PLATE				1
44	40130705	MOTOR_COVER	FOR PLC-2710-7,2760-7			1
45	40130706	TOP_COVER				1
46	SM1040750TP	SCREW M4 L=7	FOR PLC-2710,2760,2765,2760L			1
47	40129982	BED_COVER_A	FOR PLC-2760,2760-7,2760L, 2765			1

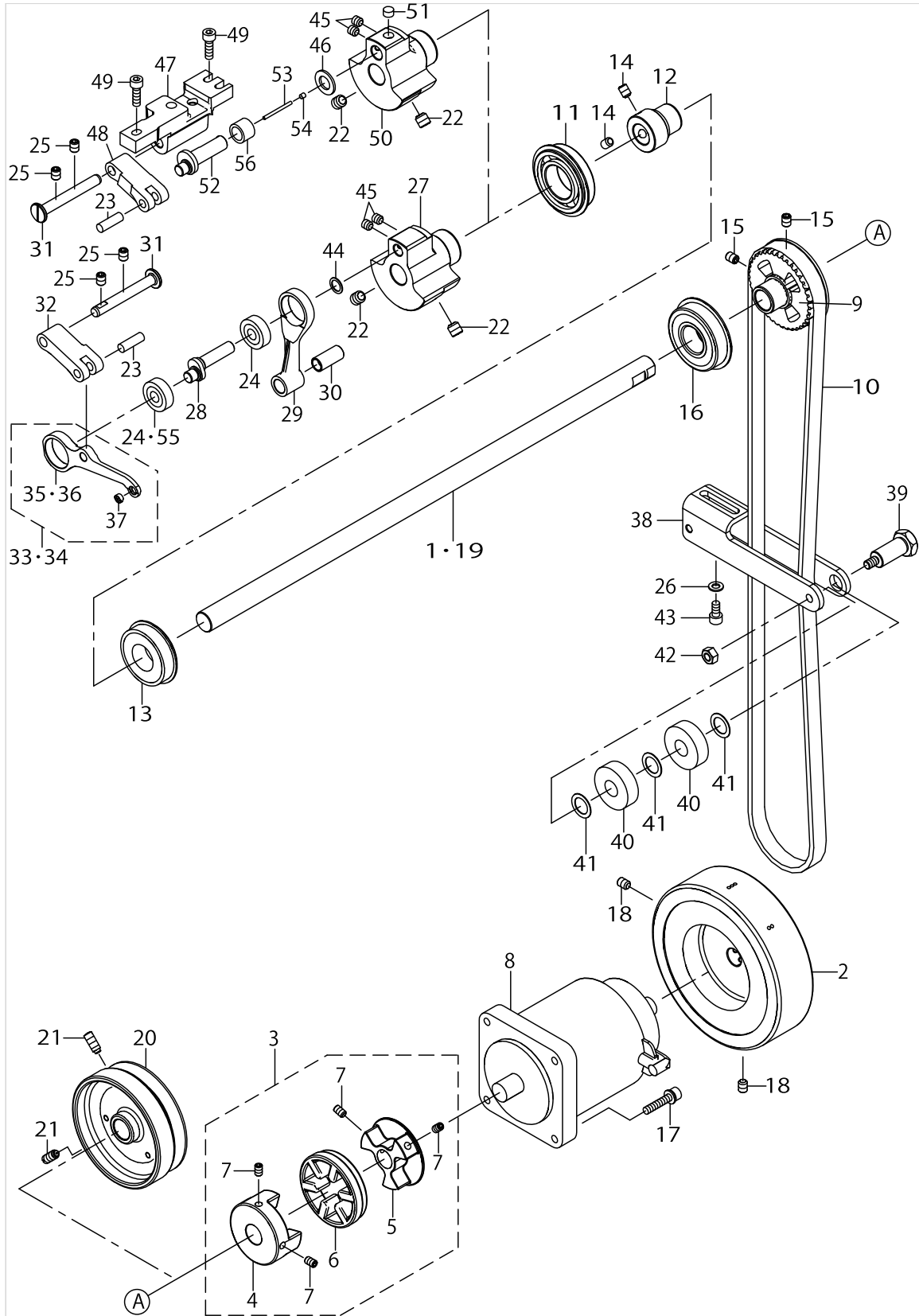
MAIN SHAFT & THREAD TAKE-UP LEVER COMPONENTS



MAIN SHAFT & THREAD TAKE-UP LEVER COMPONENTS

No.	Parts No.	Parts name	Remarks	Level	Cons	Qty
1	40112087	MAIN_SHAFT_DD	FOR PLC-2710-7,2760-7			1
2	40130702	HAND_WHEEL	FOR PLC-2710-7,2760-7			1
3	40112312	COUPLING_ASSY	FOR PLC-2710-7,2760-7			1
4	40130277	HUB_L	FOR PLC-2710-7,2760-7	*		1
5	40112106	HUB_R	FOR PLC-2710-7,2760-7	*		1
6	40125950	SPIDER	FOR PLC-2710-7,2760-7	*		1
7	SM8050812TP	SCREW M5X8	FOR PLC-2710-7,2760-7	*		4
8	40126244	AC SERVO MOTOR	FOR PLC-2710-7,2760-7			1
9	40126321	SPROCKET_UPPER				1
10	40130020	TIMING_BELT			☆	1
11	B1203512000	BUSHING				1
12	23605207	MAIN SHAFT BEARING SUPPORT				1
13	SB120001800	BEARING				1
14	SM80608A2TP	SCREW M6 L=8				2
15	SM8060812TP	SCREW M6 L=8				2
16	SB120002700	BEARING				1
17	SL6052592TN	BOLT	FOR PLC-2710-7,2760-7			4
18	SM8060812TP	SCREW M6 L=8	FOR PLC-2710-7,2760-7			2
19	40112088	MAIN_SHAFT	FOR PLC-2710,2760,2765,2760L			1
20	40112299	HAND_WHEEL_A	FOR PLC-2710,2760,2765,2760L			1
21	SS8151550SP	SCREW 15/64-28 L=15	FOR PLC-2710,2760,2765,2760L			2
22	SM8080812TP	SCREW M8X8				2
23	10721504	FEED ADJUSTING PIN				1
24	SB108001900	BEARING	FOR PLC-2710,2710-7,2760, 2760-7,2760L			2
25	SM8060812TP	SCREW M6 L=8				2
26	WP0531000SD	WASHER M5				2
27	40112091	COUNTER_WEIGHT				1
28	40112092	NEEDLE_BAR_CRANK				1
29	40112093	NEEDLE_BAR_CRANK_ROD	FOR PLC-2710,2710-7,2760, 2760-7,2760L			1
30	40112094	CRANK_ROD_BUSH				1
31	40011902	THREAD_TAKE_UP_CRANK_SHAFT				1
32	40125930	TAKE_UP_LEVER_CRANK				1
33	40127049	THREAD_TAKE_UP_ASM.	FOR PLC-2710,2710-7,2760, 2760-7,2765			1
34	40134545	THREAD_TAKE_UP_ASM.	FOR PLC-2760L			1
35	40125939	THREAD_TAKE_UP		*		1
36	40134532	THREAD_TAKE_UP	FOR PLC-2760L	*		1
37	10546901	BUSH		*		1
38	40130021	IDOLER_PLATE				1
39	40130022	IDOLER_SHAFT				1
40	B1803019000	BALL BEARING INTERMEDIATE				2
41	E3026721000	SLIDER				3
42	NM6060001CP	NUT M6				1
43	SM6051002TP	SCREW M5X0.8 L=10				2
44	WP0820516SP	WASHER 11.6X8.2X0.6				1
45	SM8060612TP	SCREW M6 L=6				2
46	40026818	WASHER	FOR PLC-2765			1
47	40131642	TAKE_UP_LEVER_CRANK_SHAFT_BASE	FOR PLC-2765			1

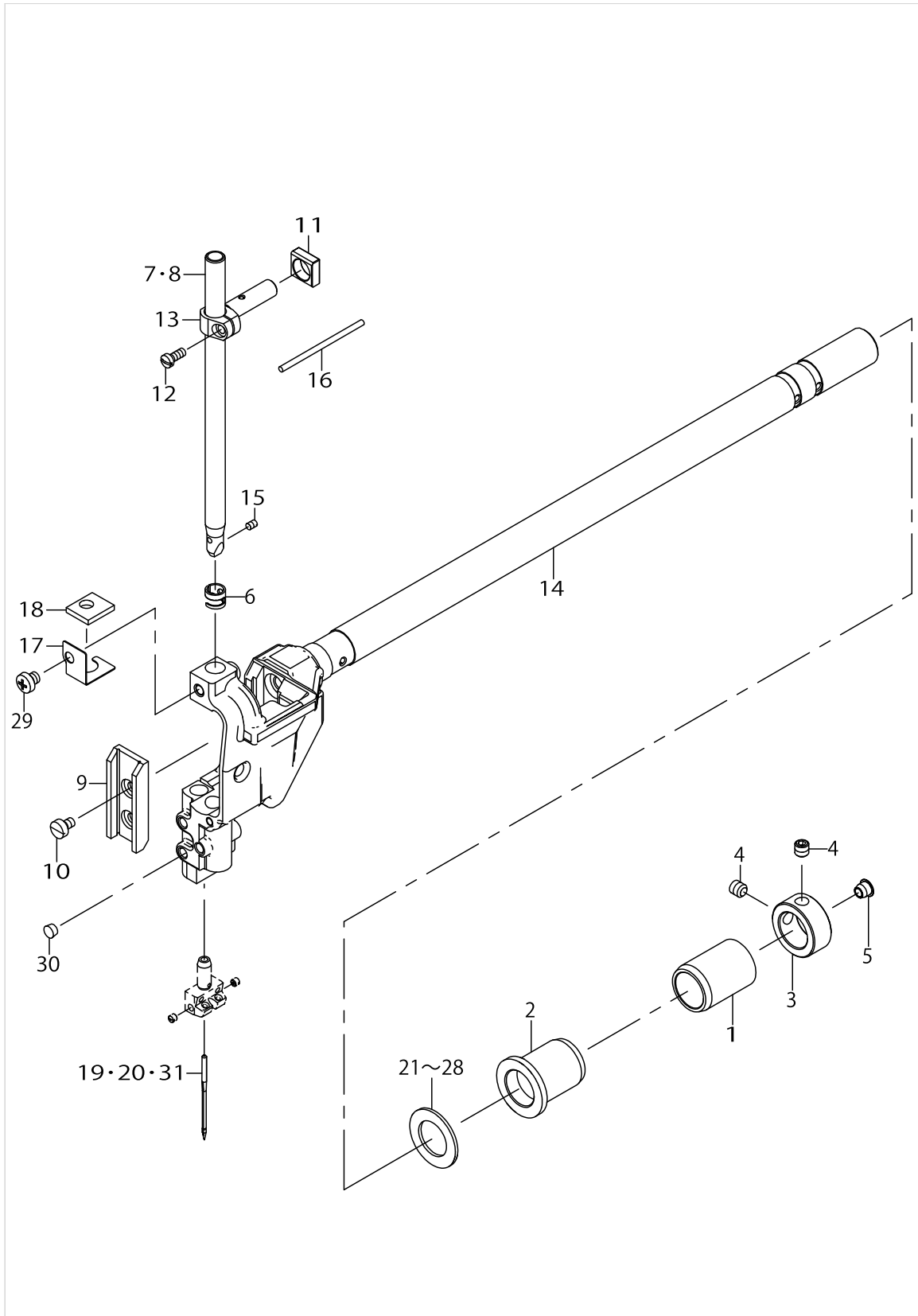
MAIN SHAFT & THREAD TAKE-UP LEVER COMPONENTS



MAIN SHAFT & THREAD TAKE-UP LEVER COMPONENTS

No.	Parts No.	Parts name	Remarks	Level	Cons	Qty
48	40131643	TAKE_UP_LEVER_CRANK	FOR PLC-2765			1
49	SM6051602TP	SCREW M5X0.8 L=16	FOR PLC-2765			3
50	40131645	COUNTER_WEIGHT	FOR PLC-2765			1
51	40138482	FELT	FOR PLC-2765			1
52	40131646	NEEDLE_BAR_CRANK	FOR PLC-2765			1
53	CQ202000000	OIL WICK	FOR PLC-2765			0.027
54	TA0290301M0	PLUG	FOR PLC-2765			1
55	SB108001900	BALL BEARING	FOR PLC-2765			1
56	SB310000300	BALL BEARING	FOR PLC-2765			1

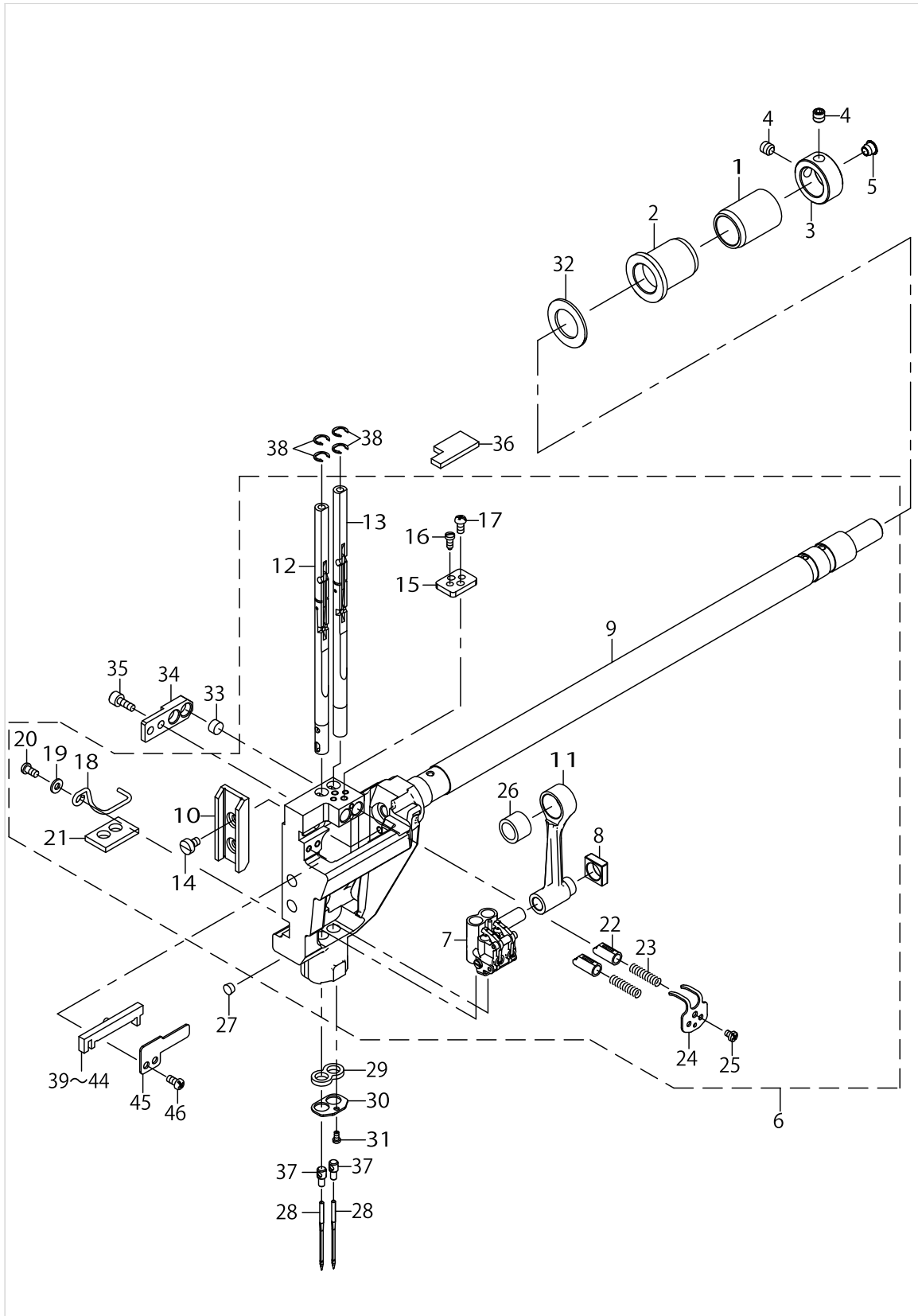
NEEDLE BAR COMPONENTS



NEEDLE BAR COMPONENTS

No.	Parts No.	Parts name	Remarks	Level	Cons	Qty
1	40010709	NF SHAFT BUSH R				1
2	40023568	BUSHING				1
3	CS1701181TP	THRUST COLLAR D=17 W=11				1
4	SM8060612TP	SCREW M6 L=6				2
5	TA0620504R0	CAP				1
6	B1418141H00	NEEDLE BAR THREAD GUIDE	FOR PLC-2710,2710-7		☆	1
7	B1401246000	NEEDLE BAR	FOR PLC-2710,2710-7			1
8	21451406	NEEDLE BAR	FOR PLC-2760,2760-7,2760L			1
9	40127041	NEEDLE_BAR_GUIDE				1
10	SM6040650TP	SCREW				2
11	40112152	NEEDLE_ROD_SQUARE_BLOCK				1
12	SS7090910TP	SCREW 9/64-40 L=8.5				1
13	40112273	NEEDLE BAR CONNECTION				1
14	40136296	N_B_ROCKING_BASE_ASM.				1
15	SS8080410TP	SCREW 1/8-44 L=3.5	FOR PLC-2710,2710-7		☆	1
16	CQ252000000	OIL WICK				0.05
17	40112270	FELT HOLDER				1
18	40112272	NEEDLE_BAR_FELT_E				1
19	M13517B1400	NEEDLE 135X17 #140	FOR PLC-2710,2710-7		☆	1
20	M13517B1400	NEEDLE 135X17 #140	FOR PLC-2760,2760-7		☆	2
21	B1438512B00	WASHER 17.1X28X1.5	SELECTIVE PARTS			1
22	22606206	SPACER Y	SELECTIVE PARTS			1
23	22606305	SPACER Z	SELECTIVE PARTS			1
24	22607600	SPACER A	SELECTIVE PARTS			1
25	22607709	SPACER B	SELECTIVE PARTS			1
26	22607808	SPACER D	SELECTIVE PARTS			1
27	22607907	SPACER E	SELECTIVE PARTS			1
28	22606404	SPACER F	SELECTIVE PARTS			1
29	SM4050501SC	SCREW M5X0.8 L=5				1
30	TA0500301R0	PLUG 5X5.8 L=3				4
31	M13517B2000	NEEDLE 135X17 #200	FOR PLC-2760L			2

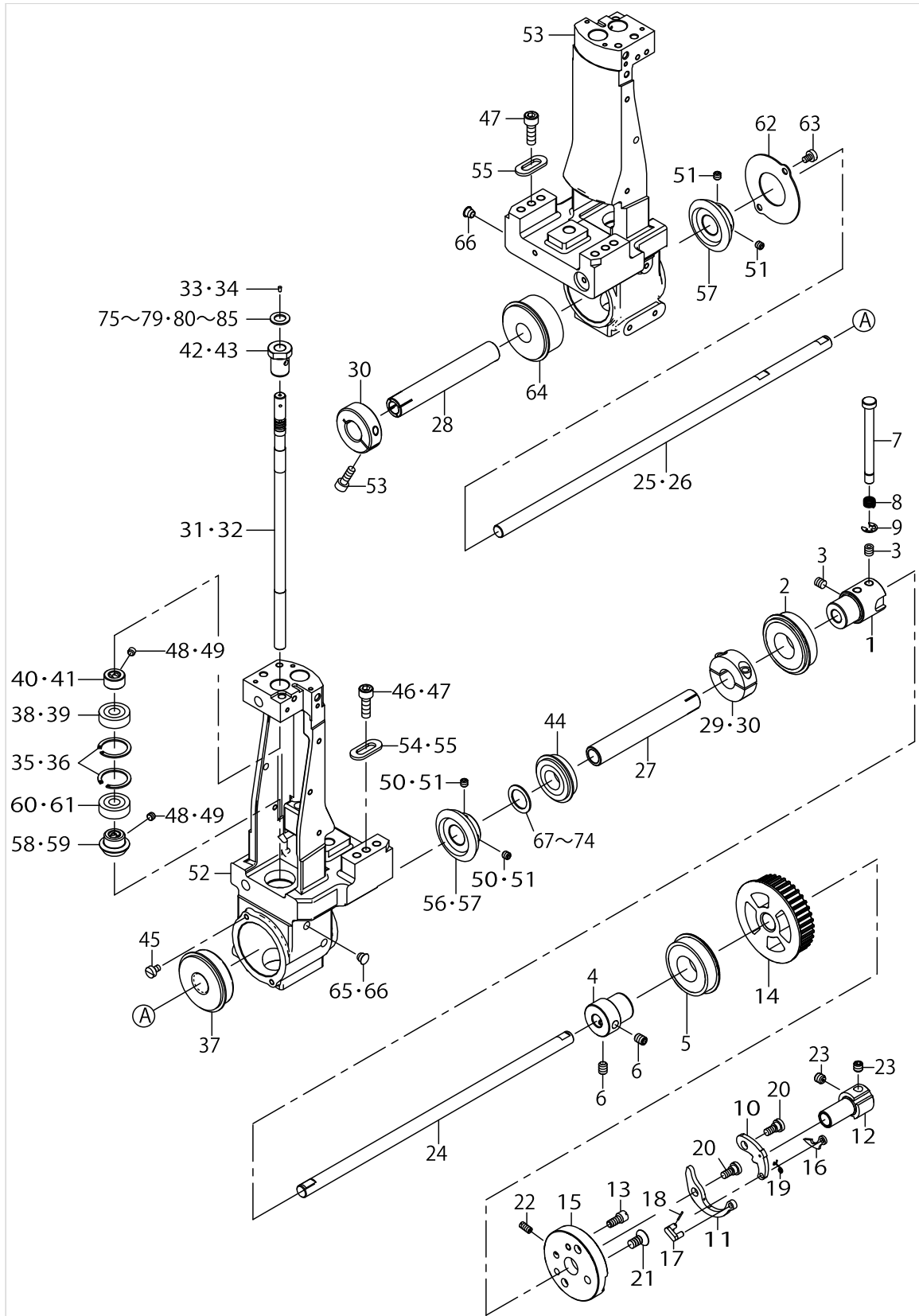
NEEDLE BAR COMPONENTS (FOR PLC-2765)



NEEDLE BAR COMPONENTS (FOR PLC-2765)

No.	Parts No.	Parts name	Remarks	Level	Cons	Qty
1	40010709	NF SHAFT BUSH R				1
2	40023568	BUSHING				1
3	CS1701181TP	THRUST COLLAR D=17 W=11				1
4	SM8060612TP	SCREW M6 L=6				2
5	TA0620504R0	CAP				1
6	40141331	N_B_ROCKING_BASE_ASM_2865				1
7	40032147	NEEDLE_BAR_CONNECTION_ASM.		*		1
8	40112152	NEEDLE_ROD_SQUARE_BLOCK		*		1
9	40138640	NEEDLE_BAR_ROCKING_BASE_ASM.		*		1
10	40127041	NEEDLE_BAR_GUIDE		*		1
11	40131644	NEEDLE_BAR_CRANK_ROD		*		1
12	40131649	NEEDLE_BAR_ASM._LEFT		*		1
13	40131651	NEEDLE_BAR_ASM._RIGHT		*		1
14	SM6040650TP	SCREW		*		2
15	22682702	NEEDLE BAR SWIVEL STOPPER		*		1
16	22681712	STOPPER SCREW		*		2
17	SS4090715SP	SCREW 9/64-40 L=7		*		2
18	40131654	FELT_GUIDE		*		1
19	WP0371016SD	WASHER 3.7X8X1		*		1
20	SS4090715SP	SCREW 9/64-40 L=7		*		1
21	40131655	OIL_GUARD_FELT		*		1
22	22681407	NEEDLE BAR STOPPER		*		2
23	22681506	SPRING		*		2
24	40095222	STOPPER_SPRING_COVER		*		1
25	SM4030455SP	SCREW		*		1
26	SB310000300	BALL BEARING		*		1
27	TA0500301R0	PLUG 5X5.8 L=3				1
28	M13517B1400	NEEDLE 135X17 #140			☆	2
29	22686000	NEEDLE BAR OIL SEAL FELT				1
30	40131656	NEEDLE_BAR_OIL_SEAL_PLATE				1
31	SS6060510TP	SCREW 3/32-56 L=4.5				1
32	22607709	SPACER B				1
33	11002904	ROLLER FELT				2
34	40131653	FELT_COVER				1
35	SM6040602TP	SCREW M4X0.7 L=6				2
36	40039629	FELT				1
37	22682504	SPRING BEARING				2
38	40028668	RING_A				4
39	22681951	SLIDER BLOCK ASM. A	SELECTIVE PARTS			1
40	22682058	SLIDER BLOCK ASM. B	SELECTIVE PARTS			1
41	22682157	SLIDER BLOCK ASM. C	SELECTIVE PARTS			1
42	22682256	SLIDER BLOCK ASM. D	SELECTIVE PARTS			1
43	22682355	SLIDER BLOCK ASM. E	SELECTIVE PARTS			1
44	40117425	SLIDER BLOCK ASM. F	SELECTIVE PARTS			1
45	22681803	SLIDE BLOCK GUIDE PLATE				1
46	SS4090715SP	SCREW 9/64-40 L=7				2

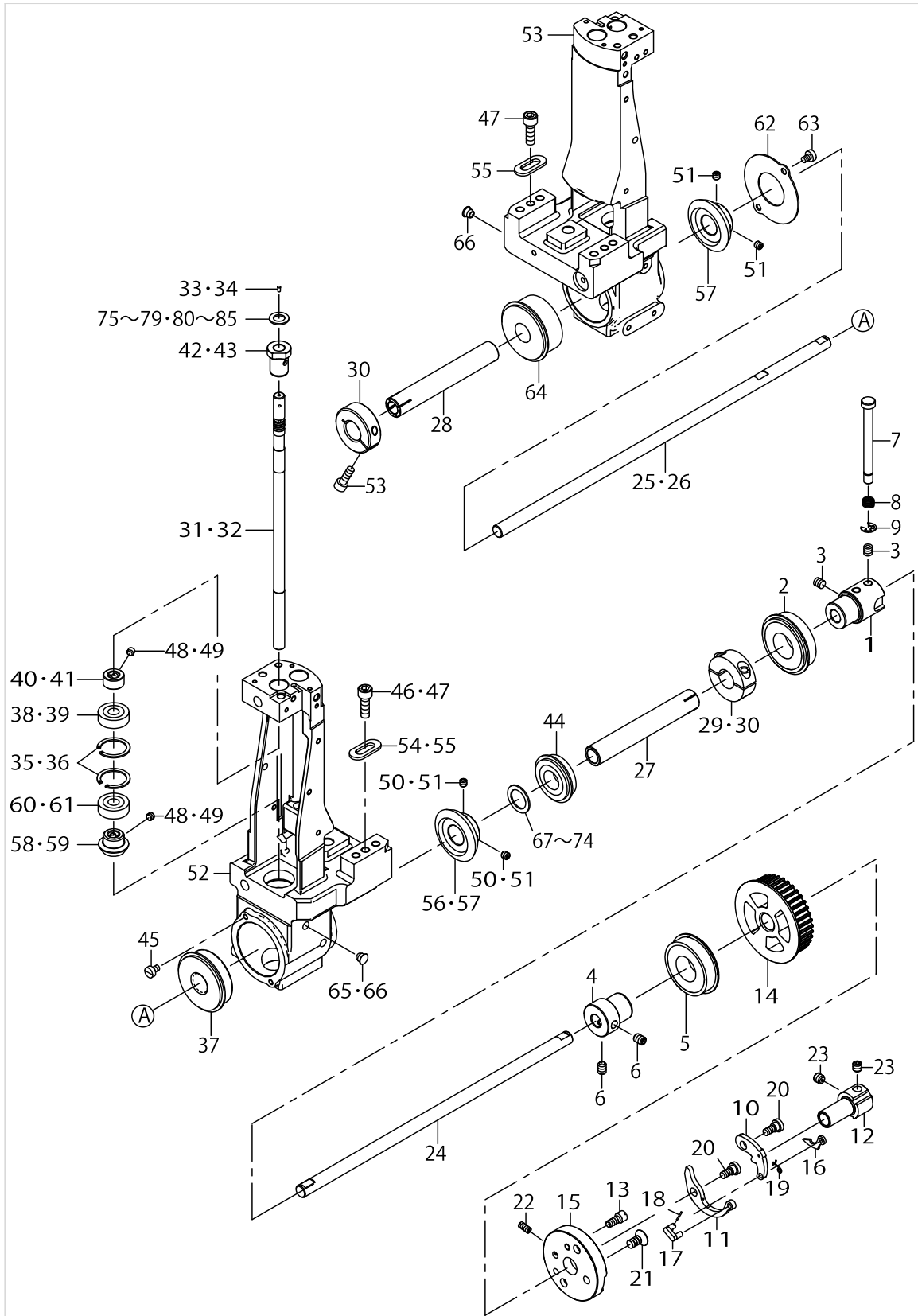
LOWER SHAFT COMPONENTS



LOWER SHAFT COMPONENTS

No.	Parts No.	Parts name	Remarks	Level	Cons	Qty
1	40130041	CONNECTION_BUSH				1
2	SB120001800	BEARING				1
3	SM8060812TP	SCREW M6 L=8				4
4	40123247	BEARING_COLLAR				1
5	SB120001800	BEARING				1
6	SM8060812TP	SCREW M6 L=8				2
7	40112240	SAFETY_REVERSE_BUTTON				1
8	B1639051000	SPRING				1
9	RE0500000K0	E-RING				1
10	21387600	SAFETY CLUTCH HOOK				1
11	21387709	SAFETY CLUTCH SPRING				1
12	21387808	SAFETY BASE				1
13	21387907	ADJUSTING PIN (1.2)				1
14	40125862	LOWER_SHAFT_SPROCKET				1
15	40126366	CLUTCH_BASE				1
16	B1308055000	SAFETY CLUTCH COUNTER-HOOK				1
17	B1310055000	SAFETY CLUTCH SMALL LINK				1
18	B1314055000	SAFETY CLUTCH SMALL LINK PIN				1
19	40113224	COUNTER HOOK SPRING				1
20	SD0640322TP	HINGE SCREW D=6.35 H=3.2				2
21	SM1061201SN	SCREW M6 L=12				2
22	SS8111010TP	SCREW 11/64-40 L=9.5				1
23	SS8660612TP	SCREW 1/4-40 L=6				2
24	40130042	LOWER_SHAFT_A				1
25	40130043	LOWER_SHAFT_B	FOR PLC-2710,2710-7			1
26	40130044	LOWER_SHAFT_C	FOR PLC-2760,2760-7,2760L, 2765			1
27	40112253	LOWER_SHAFT_C				1
28	40126454	LOWER_SHAFT_D	FOR PLC-2760,2760-7,2760L, 2765			1
29	40152295	LOWER_SHAFT_SET_COLLAR	FOR PLC-2710,2710-7			1
30	40152295	LOWER_SHAFT_SET_COLLAR	FOR PLC-2760,2760-7,2760L, 2765			2
31	40130035	HOOK_SHAFT	FOR PLC-2710,2710-7			1
32	40130035	HOOK_SHAFT	FOR PLC-2760,2760-7,2760L, 2765			2
33	TA0180401M0	NEEDLE COOLER PLUG CAP	FOR PLC-2710,2710-7			1
34	TA0180401M0	NEEDLE COOLER PLUG CAP	FOR PLC-2760,2760-7,2760L, 2765			2
35	RC2351018KP	RETAINIG PIN 23.5	FOR PLC-2710,2710-7			2
36	RC2351018KP	RETAINIG PIN 23.5	FOR PLC-2760,2760-7,2760L, 2765			4
37	G1216870000	UPPER SHAFT REAR BEARING				1
38	SB108000400	BUSHING	FOR PLC-2710,2710-7			1
39	SB108000400	BUSHING	FOR PLC-2760,2760-7,2760L, 2765			2
40	CS0800881TP	THRUST COLLAR	FOR PLC-2710,2710-7			1
41	CS0800881TP	THRUST COLLAR	FOR PLC-2760,2760-7,2760L, 2765			2
42	40130036	BUSHING	FOR PLC-2710,2710-7			1
43	40130036	BUSHING	FOR PLC-2760,2760-7,2760L, 2765			2
44	SB115001000	ROLLING BEARING				1
45	SM6040650TP	SCREW				2
46	SM6061802TP	SCREW M6 L=18	FOR PLC-2710,2710-7			2
47	SM6061802TP	SCREW M6 L=18	FOR PLC-2760,2760-7,2760L, 2765			4

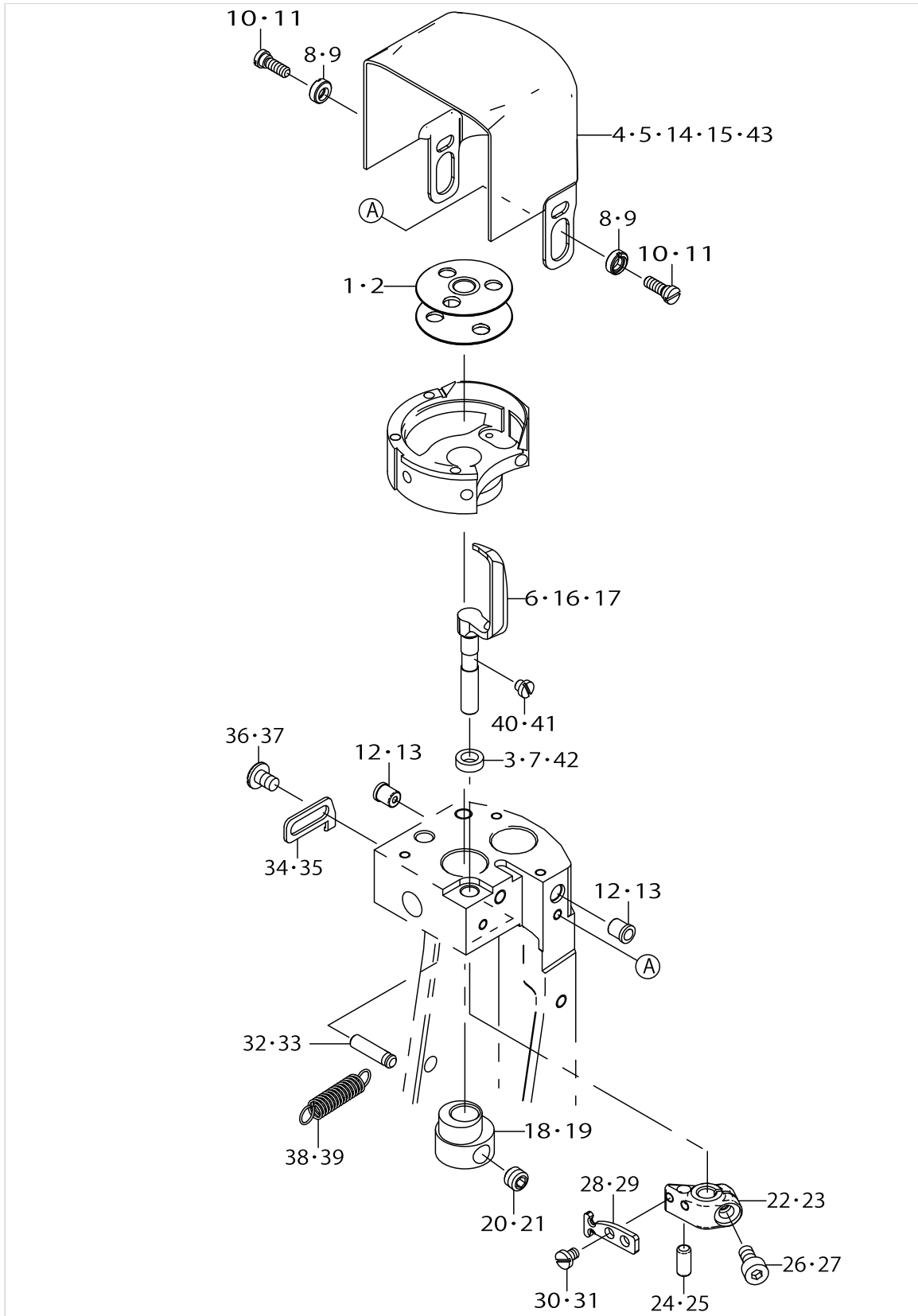
LOWER SHAFT COMPONENTS



LOWER SHAFT COMPONENTS

No.	Parts No.	Parts name	Remarks	Level	Cons	Qty
48	SM8050412TP	SCREW M5 L=4	FOR PLC-2710,2710-7			4
49	SM8050412TP	SCREW M5 L=4	FOR PLC-2760,2760-7,2760L, 2765			8
50	SM80506A2TP	SCREW M5 L=6	FOR PLC-2710,2710-7			2
51	SM80506A2TP	SCREW M5 L=6	FOR PLC-2760,2760-7,2760L, 2765			4
52	40133882	HOOK_SHAFT_BASE_R_COMPONENTS				1
53	40133883	HOOK_SHAFT_BASE_L_COMPONENTS	FOR PLC-2760,2760-7,2760L, 2765			1
54	40139042	WASHER	FOR PLC-2710,2710-7			2
55	40139042	WASHER	FOR PLC-2760,2760-7,2760L, 2765			4
56	40126372	LOWER_SHAFT_GEAR	FOR PLC-2710,2710-7			1
57	40126372	LOWER_SHAFT_GEAR	FOR PLC-2760,2760-7,2760L, 2765			2
58	40112242	HOOK_SHAFT_GEAR	FOR PLC-2710,2710-7			1
59	40112242	HOOK_SHAFT_GEAR	FOR PLC-2760,2760-7,2760L, 2765			2
60	SB108000400	BUSHING	FOR PLC-2710,2710-7			1
61	SB108000400	BUSHING	FOR PLC-2760,2760-7,2760L, 2765			2
62	40126455	HOOK_SHAFT_BASE_COVER	FOR PLC-2760,2760-7,2760L, 2765			1
63	SM6040650TP	SCREW	FOR PLC-2760,2760-7,2760L, 2765			2
64	SB115002200	BEARING	FOR PLC-2760,2760-7,2760L, 2765			1
65	TA0620504R0	CAP	FOR PLC-2710,2710-7			2
66	TA0620504R0	CAP	FOR PLC-2760,2760-7,2760L, 2765			4
67	B122177100A	HIGH SPEED WASHER FOR BEARING	SELECTIVE PARTS			1
68	B122177100B	MAIN SHAFT THRUST WASHER B T=1.0	SELECTIVE PARTS			1
69	B125578100C	WASHER C	SELECTIVE PARTS			1
70	B122177100D	MAIN SHAFT THRUST WASHER (D)	SELECTIVE PARTS			1
71	B122177100E	MAIN SHAFT THRUST WASHER (E)	SELECTIVE PARTS			1
72	B122177100F	MAIN SHAFT THRUST WASHER (F)	SELECTIVE PARTS			1
73	B122177100G	WASHER T=1.1	SELECTIVE PARTS			1
74	B122177100H	WASHER T=1.3	SELECTIVE PARTS			1
75	B255728000A	WASHER FOR DRIVING ARM	SELECTIVE PARTS			1
76	B255728000B	WASHER	SELECTIVE PARTS			1
77	B255728000C	WASHER	SELECTIVE PARTS			1
78	B255728000D	WASHER D	SELECTIVE PARTS			1
79	B255728000E	WASHER	SELECTIVE PARTS			1
80	40138418	WASHER T=1.3	SELECTIVE PARTS			1
81	40138419	WASHER T=1.4	SELECTIVE PARTS			1
82	40138420	WASHER T=1.5	SELECTIVE PARTS			1
83	40138421	WASHER T=1.6	SELECTIVE PARTS			1
84	40138422	WASHER T=1.7	SELECTIVE PARTS			1
85	40138423	WASHER T=1.8	SELECTIVE PARTS			1

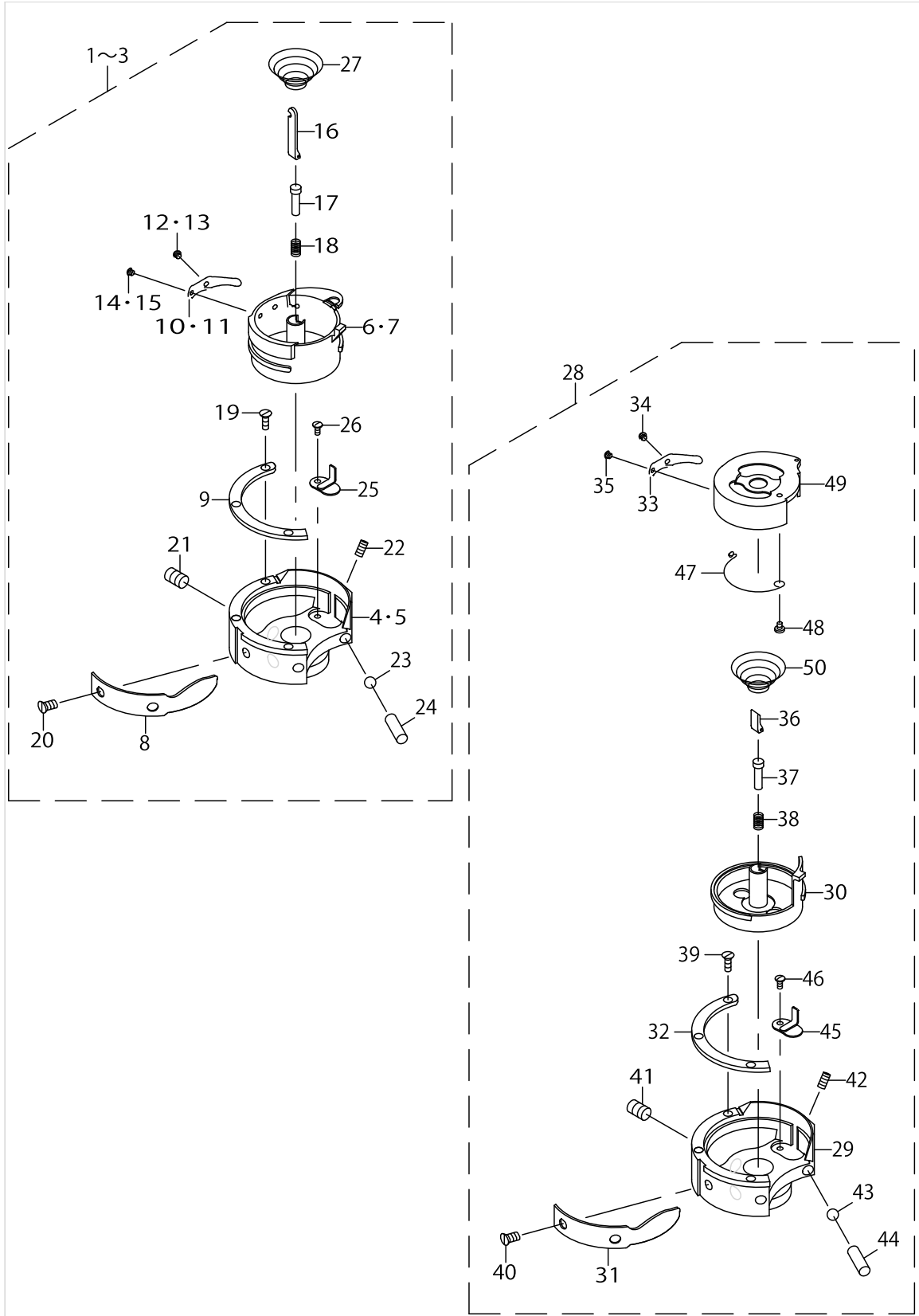
OPENNER COMPONENTS



OPENNER COMPONENTS

No.	Parts No.	Parts name	Remarks	Level	Cons	Qty
1	21334800	ALUMINUM BOBBIN WITH KNURL	FOR PLC-2710,2710-7		☆	1
2	21334800	ALUMINUM BOBBIN WITH KNURL	FOR PLC-2760,2760-7,2765, 2760L		☆	2
3	40134531	SPACER	FORPLC-2760,2760L			2
4	40137886	HOOK_COVER ASM.	FOR PLC-2710			1
5	40137886	HOOK_COVER ASM.	FORPLC-2760,2760L			2
6	40137923	OPENER 2765	FOR PLC-2765			1
7	40134531	SPACER	FOR PLC-2710			1
8	23007503	ECCENTRIC ROLLER	FOR PLC-2710,2710-7			2
9	23007503	ECCENTRIC ROLLER	FOR PLC-2760,2760-7,2765, 2760L			4
10	40163121	HINGE_SCREW	FOR PLC-2710,2710-7			2
11	40163121	HINGE_SCREW	FOR PLC-2760,2760-7,2765, 2760L			4
12	40130048	BALL_PLUNGER	FOR PLC-2710,2710-7			2
13	40130048	BALL_PLUNGER	FOR PLC-2760,2760-7,2765, 2760L			4
14	40130040	HOOK_COVER	FOR PLC-2710-7			1
15	40130040	HOOK_COVER	FOR PLC-2760-7			2
16	40130027	OPENER	FOR PLC-2710,2710-7		☆	1
17	40130027	OPENER	FOR PLC-2760,2760-7,2760L		☆	2
18	40130031	OPENER_CAM	FOR PLC-2710,2710-7			1
19	40130031	OPENER_CAM	FOR PLC-2760,2760-7,2765, 2760L			2
20	SM8060552TP	SCREW M6 L=5	FOR PLC-2710,2710-7			1
21	SM8060552TP	SCREW M6 L=5	FOR PLC-2760,2760-7,2765, 2760L			2
22	40130028	OPENER_ARM	FOR PLC-2710,2710-7			1
23	40130028	OPENER_ARM	FOR PLC-2760,2760-7,2765, 2760L			2
24	B3019816000	PIN	FOR PLC-2710,2710-7			1
25	B3019816000	PIN	FOR PLC-2760,2760-7,2765, 2760L			2
26	SM6040802TP	SCREW M4X0.7 L=8	FOR PLC-2710,2710-7			1
27	SM6040802TP	SCREW M4X0.7 L=8	FOR PLC-2760,2760-7,2765, 2760L			2
28	40130030	SPRING_RACK	FOR PLC-2710,2710-7			1
29	40130030	SPRING_RACK	FOR PLC-2760,2760-7,2765, 2760L			2
30	SM6030450TP	SCREW M3 L=4	FOR PLC-2710,2710-7			2
31	SM6030450TP	SCREW M3 L=4	FOR PLC-2760,2760-7,2765, 2760L			4
32	18219105	DW PIN 4X16	FOR PLC-2710,2710-7			1
33	18219105	DW PIN 4X16	FOR PLC-2760,2760-7,2765, 2760L			2
34	40163259	H_C_STOPPER	FOR PLC-2710,2710-7			1
35	40163259	H_C_STOPPER	FOR PLC-2760,2760-7,2765, 2760L			2
36	SM6040650TP	SCREW	FOR PLC-2710,2710-7			2
37	SM6040650TP	SCREW	FOR PLC-2760,2760-7,2765, 2760L			4
38	40133718	SPRING	FOR PLC-2710,2710-7			1
39	40133718	SPRING	FOR PLC-2760,2760-7,2765, 2760L			2
40	SS6080320SP	SCREW 1/8-44 L=2.5	FOR PLC-2710,2710-7			1
41	SS6080320SP	SCREW 1/8-44 L=2.5	FOR PLC-2760,2760-7,2765, 2760L			2
42	40137930	SPACER	FOR PLC-2765			2
43	40141066	HOOK_COVER_ASM_B	FOR PLC-2765			2

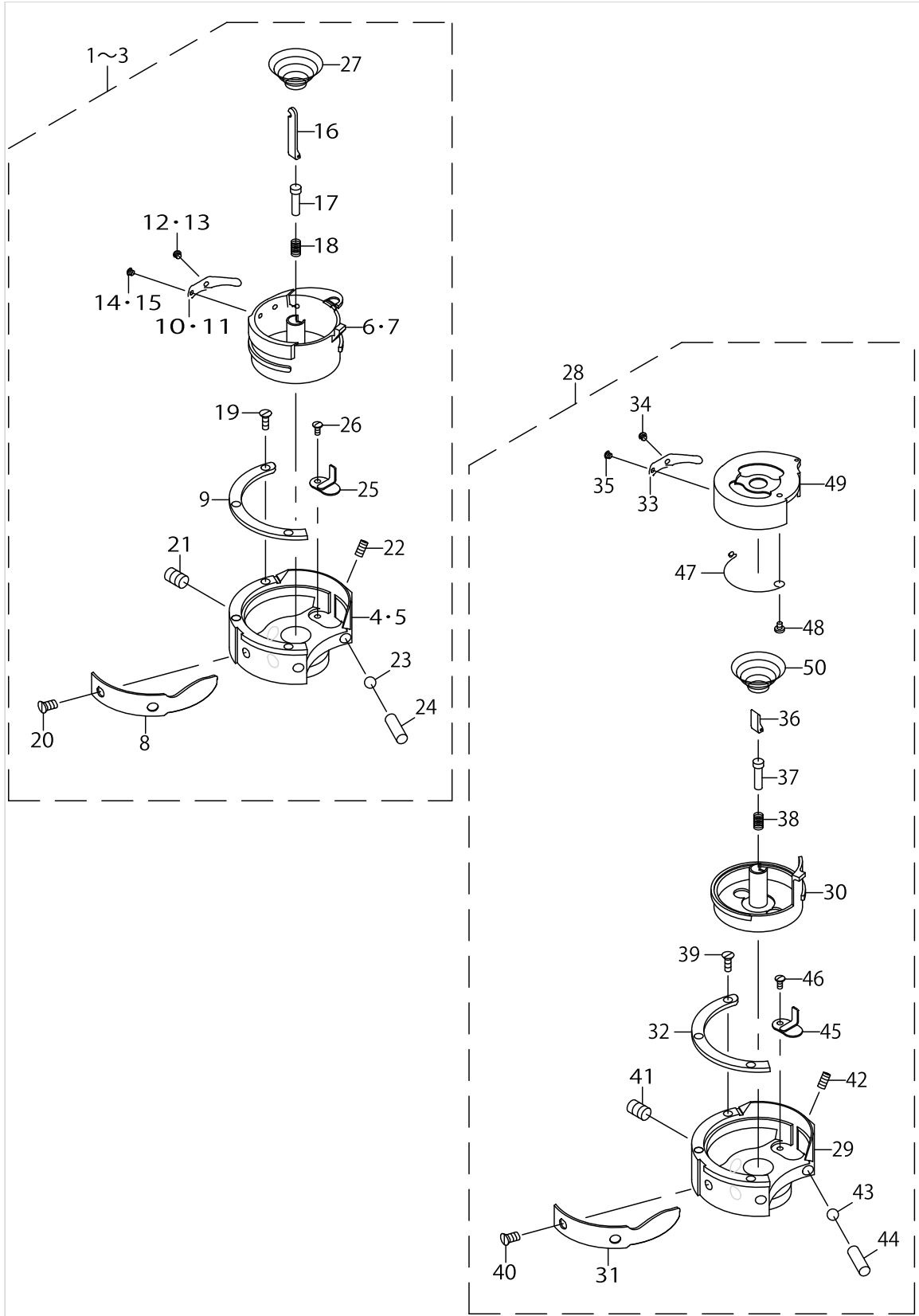
HOOK COMPONENTS



HOOK COMPONENTS

No.	Parts No.	Parts name	Remarks	Level	Cons	Qty
1	40130034	TRM_HOOK_ASM.	FOR PLC-2710-7,2760-7			1
2	40126399	HOOK_ASM.	FOR PLC-2710,2760			1
3	40138461	HOOK_ASM.	FOR PLC-2760L			1
4	40148039	OUTER_HOOK	FOR PLC-2710-7,2760-7	*		1
5	40148031	OUTER_HOOK	FOR PLC-2710,2760,2760L	*		1
6	40148041	INNER_HOOK	FOR PLC-2710-7,2760-7	*		1
7	40148032	INNER_HOOK	FOR PLC-2710,2760,2760L	*		1
8	40079896	NEEDLE HOLDER		*		1
9	40148033	INNER_HOOK_HOLDER		*		1
10	40079898	TENTION_SPRING	FOR PLC-2710-7,2760-7	*		1
11	40148034	TENTION_SPRING	FOR PLC-2710,2760,2760L	*		1
12	40079899	ADJUSTING_SCREW	FOR PLC-2710-7,2760-7	*		1
13	40148035	ADJUSTING_SCREW	FOR PLC-2710,2760,2760L	*		1
14	40079900	TENTION_SPRING_SETSCREW	FOR PLC-2710-7,2760-7	*		1
15	40148036	TENTION_SPRING_SETSCREW	FOR PLC-2710,2760,2760L	*		1
16	40079901	BOBBIN_PRESSER		*		1
17	40079902	PRESSER LIFTER		*		1
18	40079903	PRESSER LIFTER SPRING		*		1
19	40079904	INNER HOOK HOLDER SETSCREW		*		3
20	40079905	NEEDLE HOLDER SETSCREW		*		2
21	40075542	OUTER_HOOK_SETSCREW		*		2
22	40079909	NEEDLE HOLDER ADJUSTING SCREW		*		1
23	40148037	BALL		*		1
24	40148038	SLIDE_PIN		*		1
25	40075548	OIL_COVER		*		1
26	40075547	OIL_COVER_SETSCREW		*		1
27	40079912	IDLING PRIVENTION SPRING		*		1
28	40134795	HOOK_ASM_.65	FOR PLC-2765			1
29	40148031	OUTER_HOOK		*		1
30	40148042	INNER_HOOK		*		1
31	40079896	NEEDLE HOLDER		*		1
32	40148033	INNER_HOOK_HOLDER		*		1
33	40148043	TENTION_SPRING		*		1
34	40148035	ADJUSTING_SCREW		*		1
35	40148036	TENTION_SPRING_SETSCREW		*		1
36	40148044	BOBBIN_PRESSER		*		1
37	40079902	PRESSER LIFTER		*		1
38	40079903	PRESSER LIFTER SPRING		*		1
39	40079904	INNER HOOK HOLDER SETSCREW		*		3
40	40079905	NEEDLE HOLDER SETSCREW		*		2
41	40075542	OUTER_HOOK_SETSCREW		*		2
42	40079909	NEEDLE HOLDER ADJUSTING SCREW		*		1
43	40148037	BALL		*		1
44	40148038	SLIDE_PIN		*		1
45	40075548	OIL_COVER		*		1
46	40075547	OIL_COVER_SETSCREW		*		1
47	40148045	ABSORPTION_SPRING		*		1

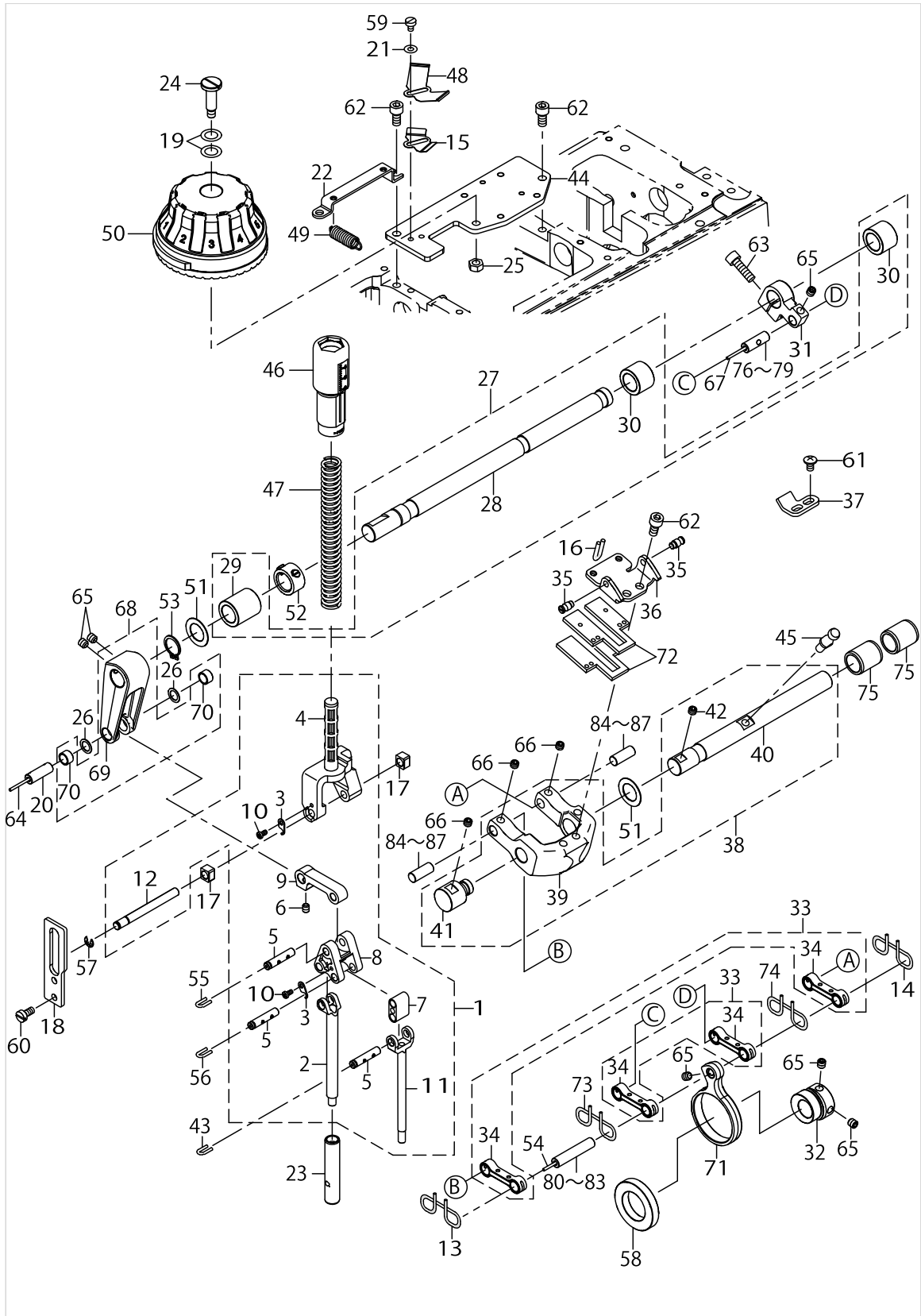
HOOK COMPONENTS



HOOK COMPONENTS

No.	Parts No.	Parts name	Remarks	Level	Cons	Qty
48	40148046	ABSORPTION_SPRING_SCREW		*		1
49	40148047	CAP		*		1
50	40079912	IDLING PRIVENTION SPRING		*		1

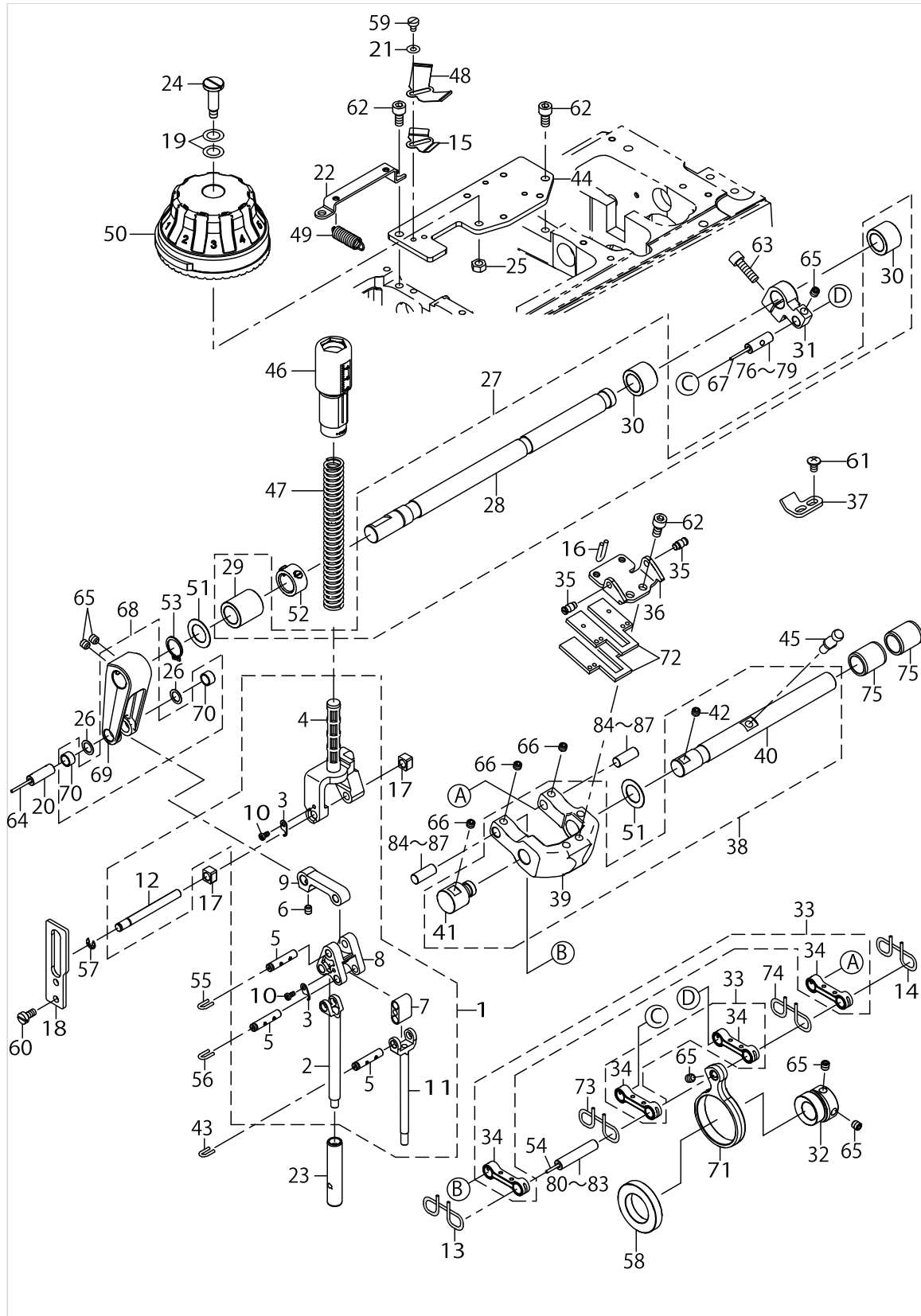
UPPER FEED COMPONENTS



UPPER FEED COMPONENTS

No.	Parts No.	Parts name	Remarks	Level	Cons	Qty
1	40144289	UPPER_FEED_F_ASM_E				1
2	40125861	PRESSURE_BAR_E		*		1
3	10710804	TRIANGLE LEVER SHAFT STOPPER		*		2
4	40144287	SPRING_RECEIVING_E_ASM		*		1
5	40112176	CONNECTION_PIN		*		3
6	SM8050612TP	SCREW M5X6		*		1
7	40176628	WALKING_BAR_DRIVING_LINK		*		1
8	40125852	TRIANGULAR_LEVER		*		1
9	40125854	UPPER_FEED_LINK_A		*		1
10	SM4030601SN	SCREW M3X6		*		2
11	40125937	WALKING_BAR_E		*		1
12	40126166	PRESSER_BAR_GUIDE_SHAFT		*		1
13	CQ202000000	OIL WICK				0.25
14	CQ202000000	OIL WICK				0.25
15	40154199	LEAF_SPRING_ADJUSTING_PLATE				1
16	CQ202000000	OIL WICK				0.1
17	40090058	SLIDE BLOCK				2
18	40125943	PRESSER ROD GUIDE				1
19	40023627	PRESSER PLATE SHEET WASHER				2
20	40123634	ROCKING_LINK_PIN				1
21	WP0430800SD	WASHER M4				4
22	40125867	SPRING_HOOK				1
23	40171574	PRESSER_BAR_BUSHING				1
24	SD0802126TP	SHOULDER SCREW D=8 H=21.2				1
25	NM6060001SD	NUT M6				1
26	E2613700000	WASHER				2
27	40123319	UPPER_FEED_SHAFT_ASM.				1
28	40123262	UPPER_FEED_SHAFT		*		1
29	40123320	UPPER_FEED_SHAFT_METAL_F		*		1
30	40123321	UPPER_FEED_SHAFT_METAL_R		*		1
31	40126160	UPPER_FEED_REAR_ARM				1
32	40126390	UPPER_FEED_CAM				1
33	40126338	CONNECTION_LINK_ASM.				1
34	40126223	CONNECTION_LINK		*		1
35	40038494	THREAD_BIND_ARM_SPRING RAC				2
36	40126269	CHANGE_BASE_SPRING_RACK				1
37	40126264	CHANGE_BASE_STOPPER				1
38	40123416	UPPER_FEED_CHANGE_BASE_ASM.				1
39	40123414	UPPER_FEED_CHANGE_BASE		*		1
40	40123555	UF_CHANGE_BASE_SHAFT		*		1
41	40123415	UF_CHANGE_BASE_SUPPORT_PIN		*		1
42	SM8060552TP	SCREW M6 L=5		*		1
43	CQ252000000	OIL WICK				0.048
44	40125868	INSTALLING_PLATE				1
45	40126374	VERTICAL_ADJUSTING_PIN				1
46	40125926	PRESSER_ADJUSTING_SCREW				1
47	40112197	PRESSER_SPRING				1

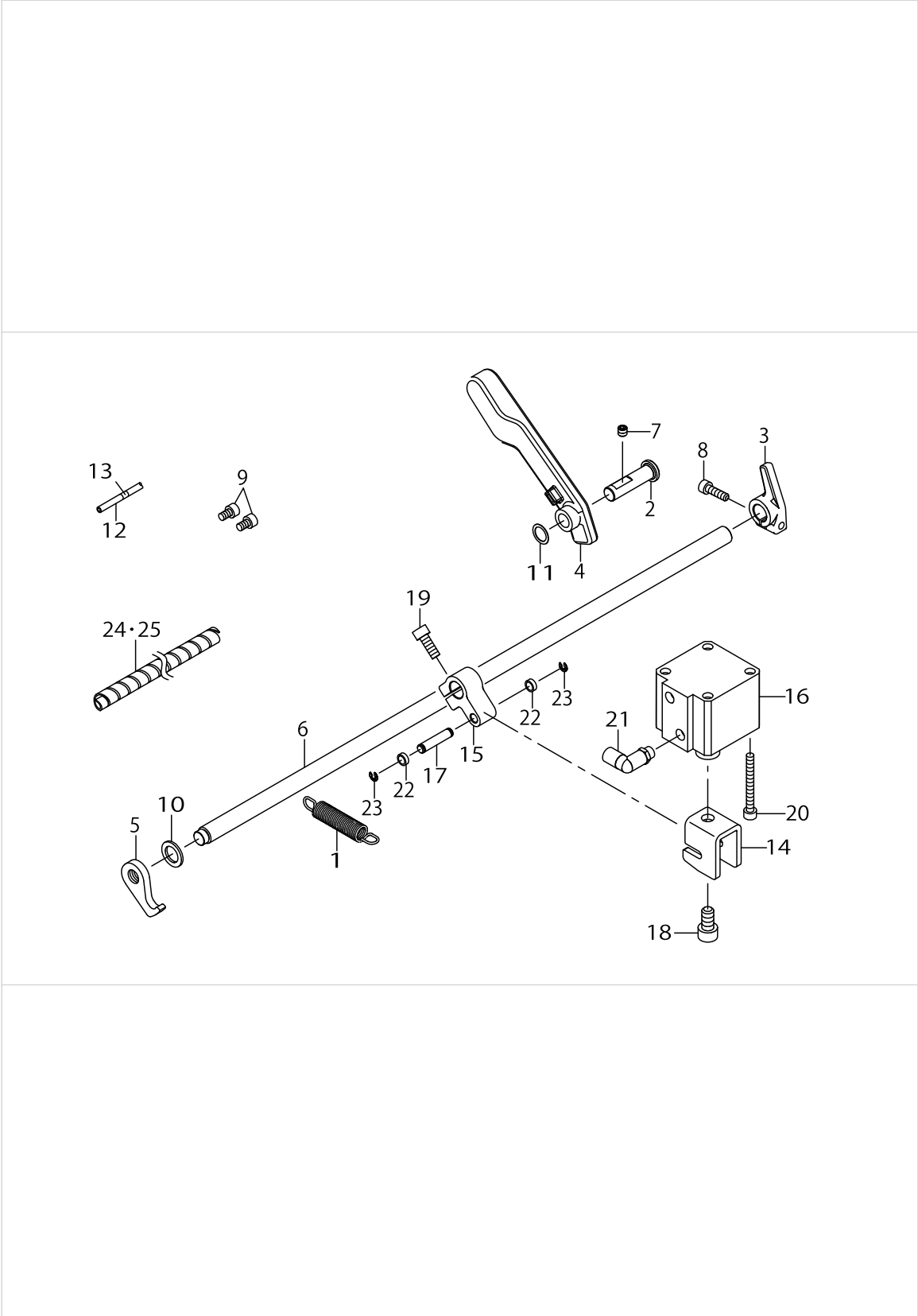
UPPER FEED COMPONENTS



UPPER FEED COMPONENTS

No.	Parts No.	Parts name	Remarks	Level	Cons	Qty
48	40112199	LEAF_SPRING				1
49	40126400	SPRING				2
50	40125850	VERTICAL_DIAL(VE)				1
51	D1231555B00	WASHER				2
52	22904155	MAIN SHAFT THRUST COLLAR ASM.				1
53	RC0150001KP	RETAINING RING 13.8				1
54	CQ202000000	OIL WICK				0.042
55	CQ252000000	OIL WICK				0.048
56	CQ252000000	OIL WICK				0.048
57	RE0400000K0	E-RING 4				1
58	SB125000600	BEARING				1
59	SM6040650TP	SCREW				2
60	SM6051000SP	SCREW				2
61	SM0050801SC	SCREW				2
62	SM6061202TP	SCREW M6 L=12				5
63	SM6062002TP	SCREW M6 L=20				1
64	CQ202000000	OIL WICK				0.02
65	SM8060612TP	SCREW M6 L=6				6
66	SM8060552TP	SCREW M6 L=5				3
67	CQ202000000	OIL WICK				0.02
68	40126159	UPPER_FEED_FRONT_ARM_ASM.				1
69	40126157	UPPER_FEED_FRONT_ARM		*		1
70	40126158	UPPER_FEED_FRONT_ARM_BUSH		*		2
71	40125876	UPPER_FEED_CAM_ROD				1
72	40123345	FELT				2
73	CQ202000000	OIL WICK				0.25
74	CQ202000000	OIL WICK				0.25
75	22913008	FEED ROCKER SHAFT BUSHING				2
76	40149115	ROCKING_LINK_PIN_A	SELECTIVE PARTS			1
77	40149116	ROCKING_LINK_PIN_B	SELECTIVE PARTS			1
78	40149117	ROCKING_LINK_PIN_C	SELECTIVE PARTS			1
79	40149118	ROCKING_LINK_PIN_D	SELECTIVE PARTS			1
80	40149125	FEED_ROD_PIN_A	SELECTIVE PARTS			1
81	40149126	FEED_ROD_PIN_B	SELECTIVE PARTS			1
82	40149127	FEED_ROD_PIN_C	SELECTIVE PARTS			1
83	40149128	FEED_ROD_PIN_D	SELECTIVE PARTS			1
84	40149121	FEED_ADJUSTING_PIN_B	SELECTIVE PARTS			1
85	40149122	FEED_ADJUSTING_PIN_C	SELECTIVE PARTS			1
86	40149123	FEED_ADJUSTING_PIN_D	SELECTIVE PARTS			1
87	40149120	FEED_ADJUSTING_PIN_A	SELECTIVE PARTS			2

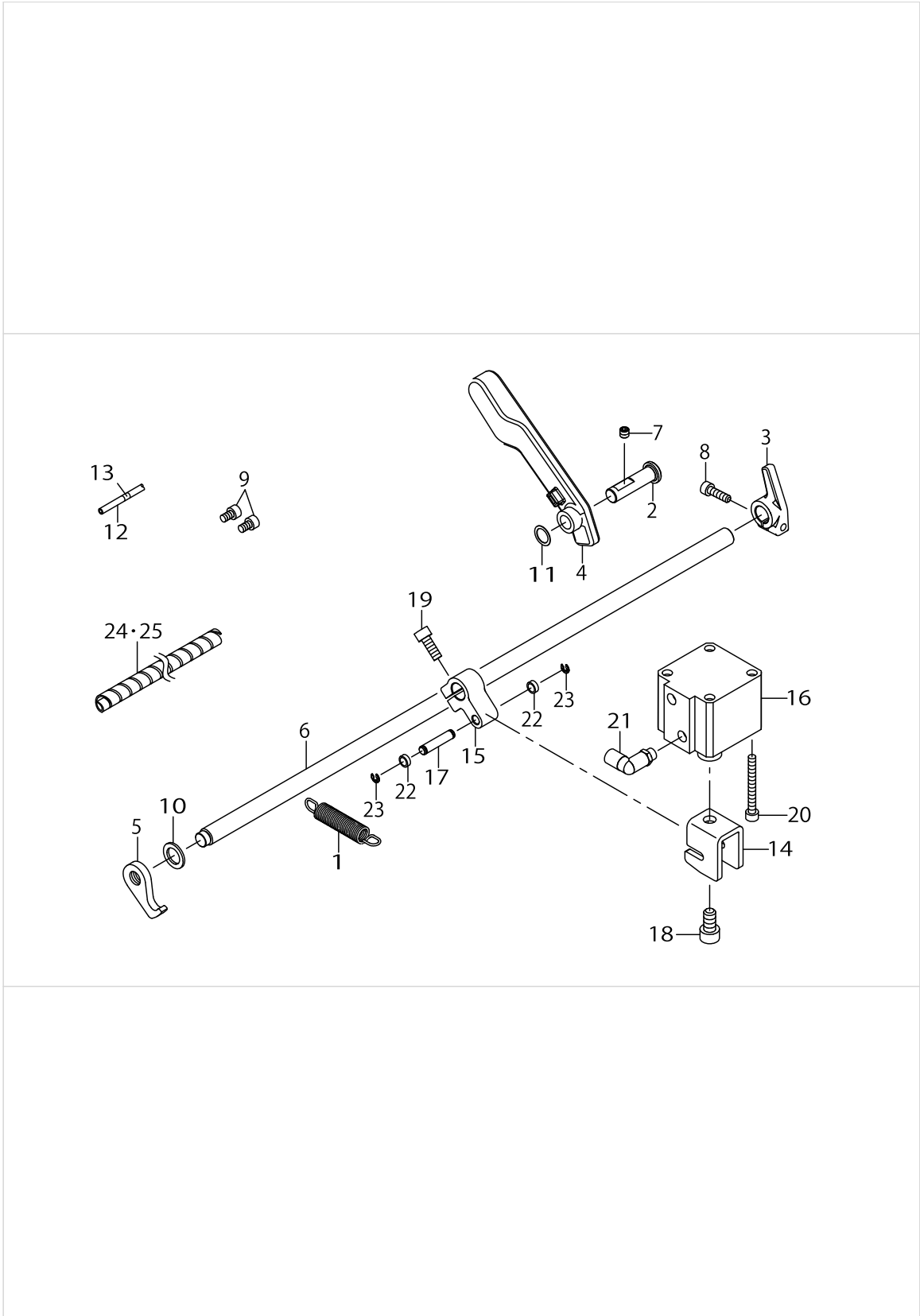
HAND LIFTER & AUTO LIFTER COMPONENTS



HAND LIFTER & AUTO LIFTER COMPONENTS

No.	Parts No.	Parts name	Remarks	Level	Cons	Qty
1	40126367	SPRING				1
2	40006716	THREAD_TRIMMER_SHAFT				1
3	40112184	LIFTER_LEVER_A				1
4	40126150	LIFTER_LEVER_B				1
5	40144283	LIFTER_PLATE				1
6	40126364	LIFTER_SHAFT				1
7	SM8060612TP	SCREW M6 L=6				1
8	SM6051802TP	SCREW M5 L=18				1
9	SM6050802TP	SCREW M5X0.8 L=8				2
10	13409107	WASHER				1
11	WZ1052010KP	WAVED WASHER				1
12	BT0400251EB	URETHANE HOSE BLACK	FOR PLC-2710-7,2760-7,2710(WITH AK), 2710(WITH AK,BT,DL),2760(WITH AK), 2760(WITH AK,BT,DL),2760L(WITH AK), 2760L(WITH AK,BT,D-L),2765(WITH AK), 2765(WITH AK,BT,DL)			0.62
13	18035907	WIRE MARK (10)	FOR PLC-2710-7,2760-7,2710(WITH AK), 2710(WITH AK,BT,DL),2760(WITH AK), 2760(WITH AK,BT,DL),2760L(WITH AK), 2760L(WITH AK,BT,D-L),2765(WITH AK), 2765(WITH AK,BT,DL)			2
14	40112187	KNUCKLE_JOINT_A	FOR PLC-2710-7,2760-7,2710(WITH AK), 2710(WITH AK,BT,DL),2760(WITH AK), 2760(WITH AK,BT,DL),2760L(WITH AK), 2760L(WITH AK,BT,D-L),2765(WITH AK), 2765(WITH AK,BT,DL)			1
15	40112188	LIFTING_ARM	FOR PLC-2710-7,2760-7,2710(WITH AK), 2710(WITH AK,BT,DL),2760(WITH AK), 2760(WITH AK,BT,DL),2760L(WITH AK), 2760L(WITH AK,BT,D-L),2765(WITH AK), 2765(WITH AK,BT,DL)			1
16	PA400150200	AIR CYLINDER	FOR PLC-2710-7,2760-7,2710(WITH AK), 2710(WITH AK,BT,DL),2760(WITH AK), 2760(WITH AK,BT,DL),2760L(WITH AK), 2760L(WITH AK,BT,D-L),2765(WITH AK), 2765(WITH AK,BT,DL)			1
17	22949101	ROLLER FULCRUM SHAFT	FOR PLC-2710-7,2760-7,2710(WITH AK), 2710(WITH AK,BT,DL),2760(WITH AK), 2760(WITH AK,BT,DL),2760L(WITH AK), 2760L(WITH AK,BT,D-L),2765(WITH AK), 2765(WITH AK,BT,DL)			1
18	SM6081552TP	SCREW M8 L=15	FOR PLC-2710-7,2760-7,2710(WITH AK), 2710(WITH AK,BT,DL),2760(WITH AK), 2760(WITH AK,BT,DL),2760L(WITH AK), 2760L(WITH AK,BT,D-L),2765(WITH AK), 2765(WITH AK,BT,DL)			1
19	SM6061602TP	SCREW M6 L=16	FOR PLC-2710-7,2760-7,2710(WITH AK), 2710(WITH AK,BT,DL),2760(WITH AK), 2760(WITH AK,BT,DL),2760L(WITH AK), 2760L(WITH AK,BT,D-L),2765(WITH AK), 2765(WITH AK,BT,DL)			1
20	SM6054502TN	SCREW M5 L=45	FOR PLC-2710-7,2760-7,2710(WITH AK), 2710(WITH AK,BT,DL),2760(WITH AK), 2760(WITH AK,BT,DL),2760L(WITH AK), 2760L(WITH AK,BT,D-L),2765(WITH AK), 2765(WITH AK,BT,DL)			4
21	PJ304045102	ELBOW UNION C	FOR PLC-2710-7,2760-7,2710(WITH AK), 2710(WITH AK,BT,DL),2760(WITH AK), 2760(WITH AK,BT,DL),2760L(WITH AK), 2760L(WITH AK,BT,D-L),2765(WITH AK), 2765(WITH AK,BT,DL)			1
22	13951009	PRESSER FOOT ROLLER	FOR PLC-2710-7,2760-7,2710(WITH AK), 2710(WITH AK,BT,DL),2760(WITH AK), 2760(WITH AK,BT,DL),2760L(WITH AK), 2760L(WITH AK,BT,D-L),2765(WITH AK), 2765(WITH AK,BT,DL)			2

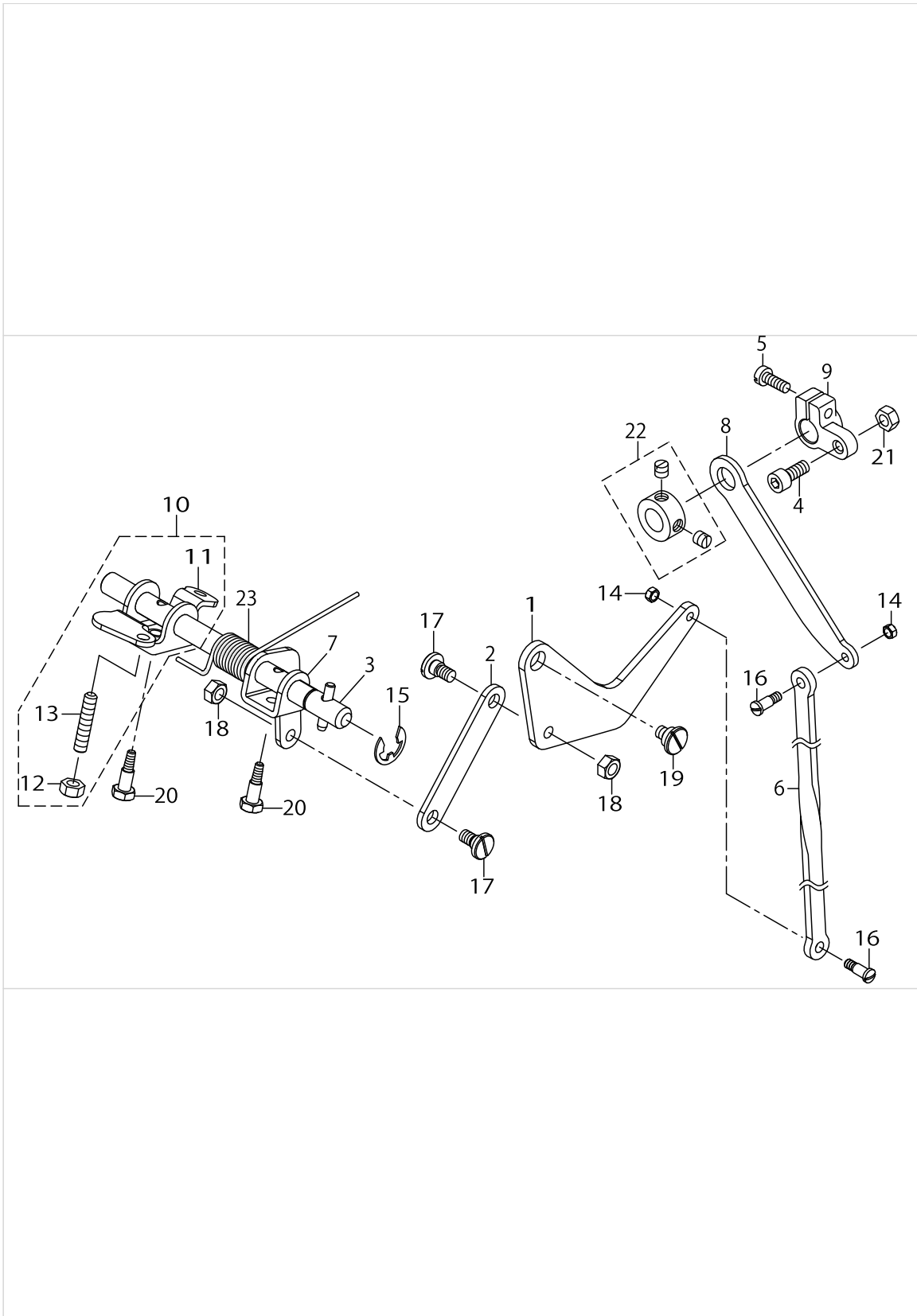
HAND LIFTER & AUTO LIFTER COMPONENTS



HAND LIFTER & AUTO LIFTER COMPONENTS

No.	Parts No.	Parts name	Remarks	Level	Cons	Qty
23	RE0400000K0	E-RING 4	FOR PLC-2710-7,2760-7,2710(WITH AK), 2710(WITH AK,BT,DL),2760(WITH AK), 2760(WITH AK,BT,DL),2760L(WITH AK), 2760L(WITH AK,BT,DL),2765(WITH AK), 2765(WITH AK,BT,DL)			2
24	HX003140000	SPIRAL TABE	FOR PLC-2710(WITH AK), 2760(WITH AK), 2760L(WITH AK), 2765(WITH AK)			0.1
25	HX00314000A	SPIRAL TUBE	FOR PLC-2710(WITH AK,BT,DL), 2760(WITH AK,BT,DL), 2760L(WITH AK,BT,DL), 2765(WITH AK,BT,DL)			0.1

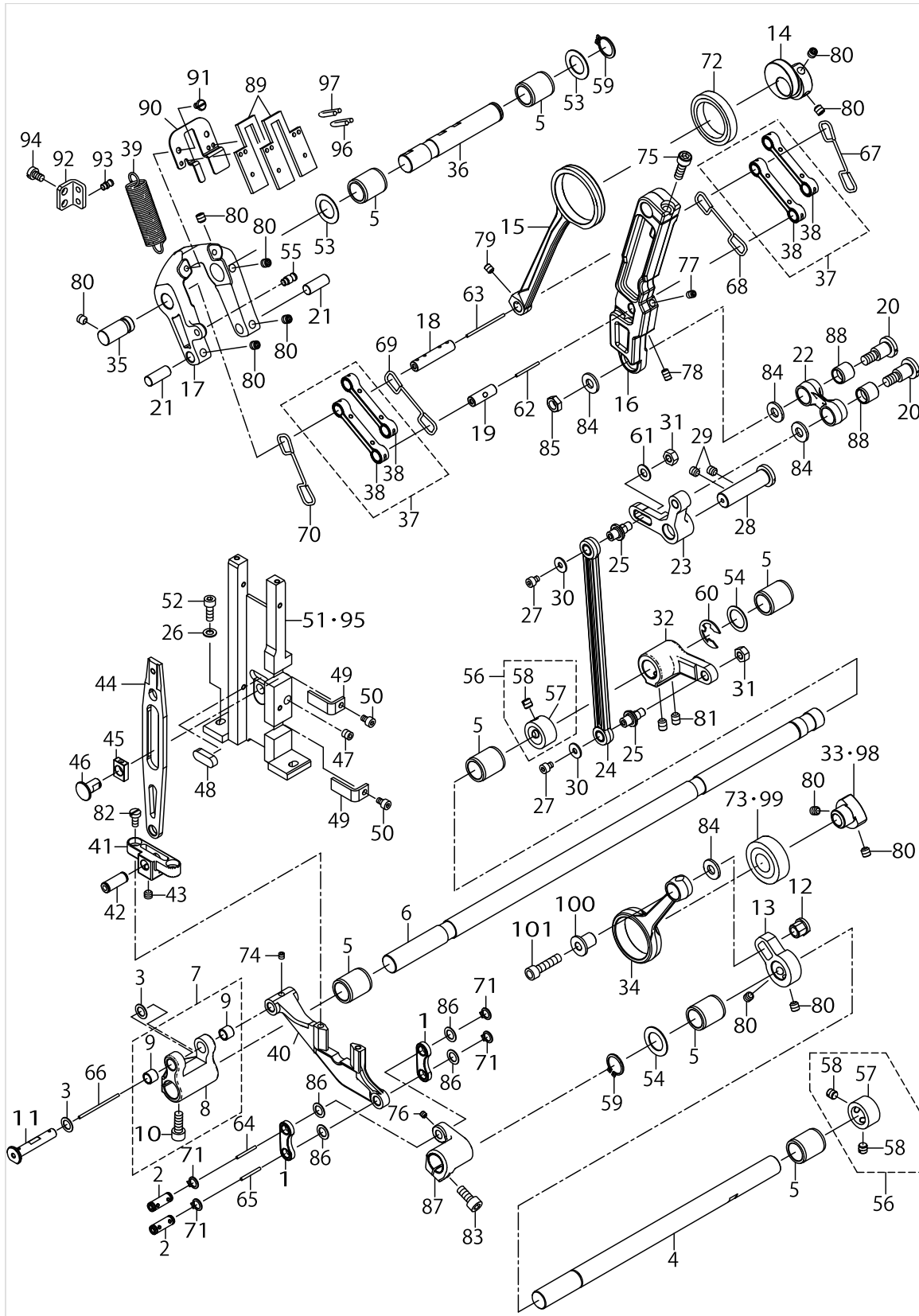
KNEE LIFTER COMPONENTS (FOR PLC-2710,2760,2760L,2765)



KNEE LIFTER COMPONENTS (FOR PLC-2710,2760,2760L,2765)

No.	Parts No.	Parts name	Remarks	Level	Cons	Qty
1	40126270	KNEE_PAD_LINK_A				1
2	40126271	KNEE_PAD_LINK_B				1
3	40126356	KNEE_LIFTER_SHAFT_ASM.				1
4	SM6051202TP	SCREW M5X0.8 L=12				1
5	SM6051400SP	SCREW				1
6	40130019	KNEE_PAD_LINK				1
7	40126273	KNEE_PAD_DRIVING_ARM				1
8	40126274	KNEE_PAD_LINK_C				1
9	40112127	BACKWARD_FEED_CONNECTING_ARM				1
10	22932156	KNEE LIFTER ROTATION ARM ASM.				1
11	22932107	KNEE LIFTING ROTATING ARM		*		1
12	NM6060001SE	NUT M6		*		2
13	SM8063012TR	SCREW M6 L=30		*		2
14	NS6110310SP	NUT 11/64-40				2
15	RE1000000K0	E-RING 10				1
16	SD0500803TP	HINGE SCREW D=5 H=8				2
17	40082078	SHOULDER SCREW D=7.24 H=3.3				2
18	NM6060001SE	NUT M6				2
19	SD1000406TP	SHOULDER SCREW				1
20	SM9061853SR	SCREW M6 L=17.5				2
21	NM6050001SD	NUT M5X0.8				1
22	CS1201010SH	THRUST COLLAR ASM. D=12 W=10				1
23	23639503	SPRING				1

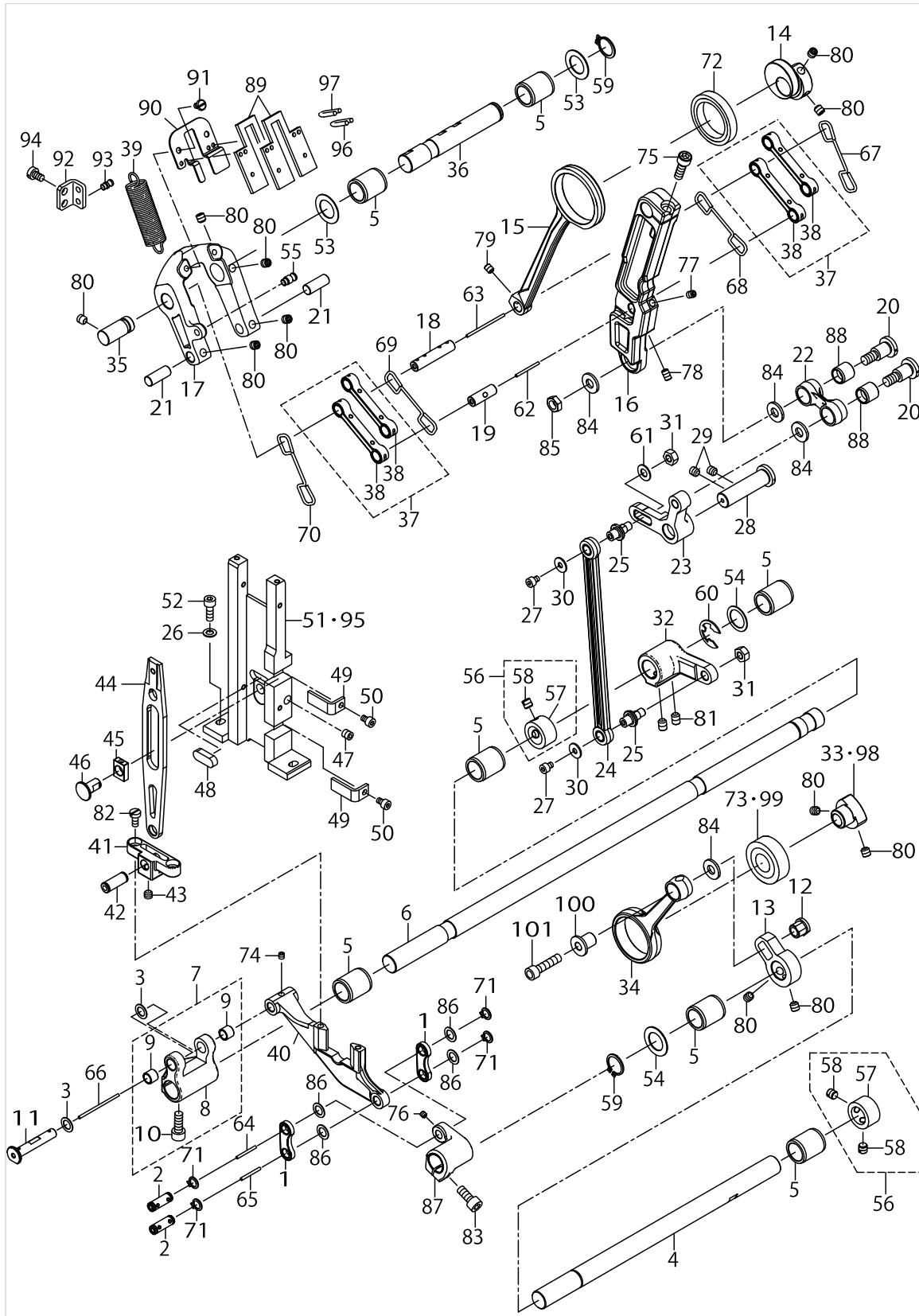
LOWER FEED COMPONENTS



LOWER FEED COMPONENTS

No.	Parts No.	Parts name	Remarks	Level	Cons	Qty
1	40130013	VERTICAL_LINK				2
2	10718906	VERTICAL FEED LINK SHAFT				2
3	WP0740516SP	WASHER 7.4X11.8X0.5				2
4	40123667	VERTICAL_FEED_LINK				1
5	22913008	FEED ROCKER SHAFT BUSHING				7
6	40126386	HORIZONTAL_FEED_SHAFT				1
7	40130011	FEED_BASE_ARM_ASM.				1
8	40130010	FEED_BASE_ARM		*		1
9	40126163	FEED_BASE_ARM_BUSH		*		2
10	SM6051402TP	SCREW M5X0.8 L=14		*		1
11	40112098	FEED_BASE_SHAFT				1
12	40154832	VERTICAL_FEED_ROD_NUT				1
13	40125843	VERTICAL_FEED_ARM_REAR				1
14	40123626	HORIZONTAL_FEED_CAM				1
15	40126151	HORIZONTAL_FEED_ROD				1
16	40123547	NEEDLE_BAR_ROCKING_LINK				1
17	40137553	HORIZONTAL_FEED_CHANGE_BASE				1
18	40112118	FEED_ROD_PIN				1
19	40123634	ROCKING_LINK_PIN				1
20	SD1021251SP	SHOULDER SCREW D=10.2 H=12.5				2
21	40126375	FEED_ADJUSTING_PIN_A				2
22	40125856	CONNECTION_LINK				1
23	40130007	LOWER_FEED_CONNECTING_TRIANGLE				1
24	40131952	CONNECTING_ROD_ASSY				1
25	40130409	FEED_ROCK_SHAFT_HINGE_SCREW				2
26	WP0550800SP	WASHER 5.5X10X0.8				2
27	SM6040502TP	SCREW M4X0.7 L=5				2
28	26228304	REGULATING LEVER STUD				1
29	SM8060612TP	SCREW M6 L=6				2
30	WP0431005SP	PLAIN WASHER				2
31	NM6060001CP	NUT M6X1 TYPE1				2
32	40130009	HORIZONTAL_FEED_ARM				1
33	40123627	VERTICAL_FEED_CAM	FOR PLC-2710,2710-7,2760, 2760-7,2765			1
34	40125857	VERTICAL_FEED_ROD				1
35	40123639	HF_CHANGE_BASE_SUPPORT_PIN				1
36	40123332	CHANGE_BASE_SHAFT				1
37	40126339	CONNECTION_LINK_ASM.				2
38	40123252	CONNECTION_LINK		*		2
39	40126401	SPRING_B				1
40	40131954	FEED BASE				1
41	40130012	FEED_LEVER_SUPPORT				1
42	10714103	CONNECTION LINK PIN A				1
43	SM8060552TP	SCREW M6 L=5				1
44	40130016	FEED_LEVER				1
45	40130017	SLIDE_BLOCK				1
46	10714608	CONNECTION LINK B SUPPORT PIN				1
47	SM8060612TP	SCREW M6 L=6				1

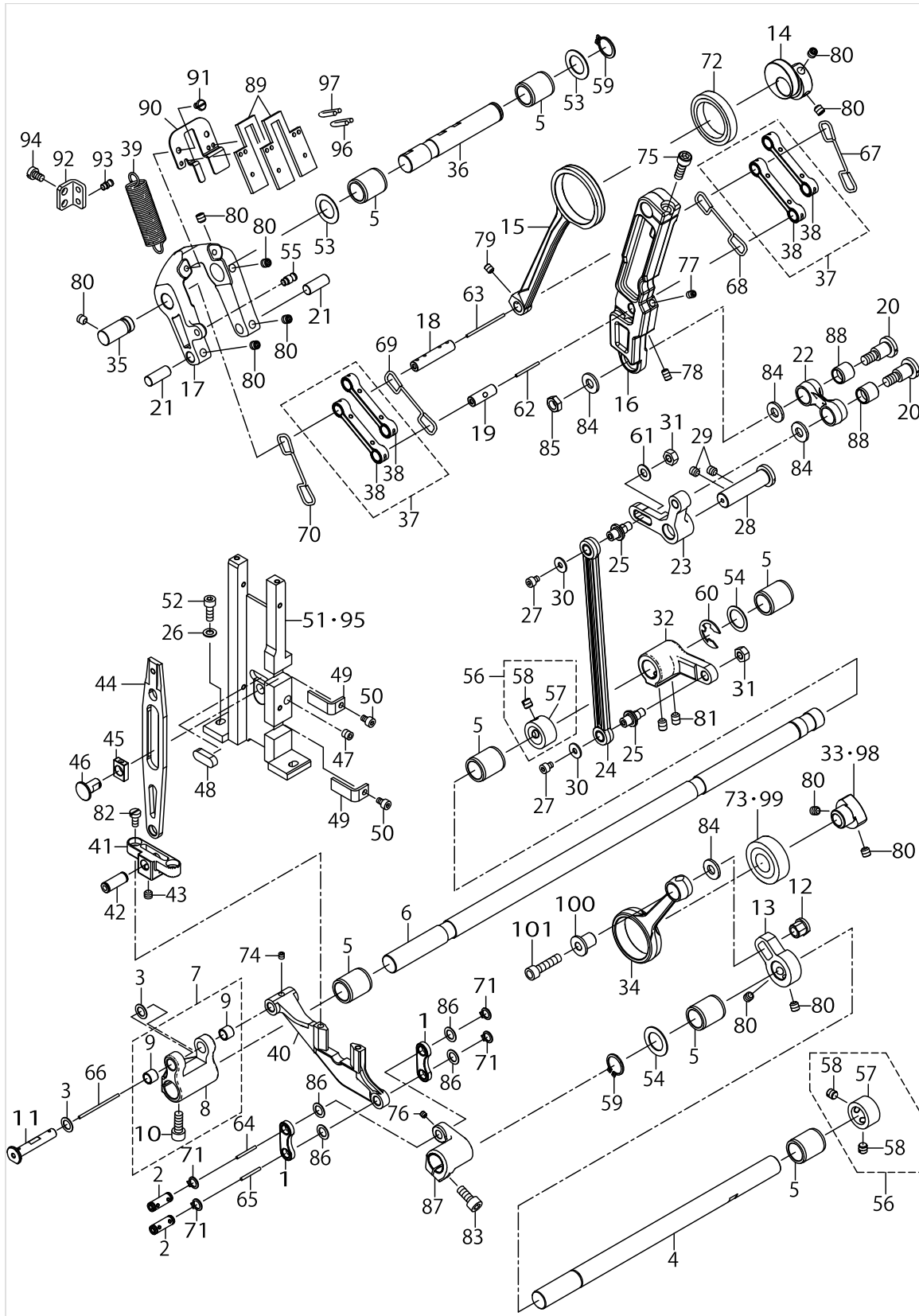
LOWER FEED COMPONENTS



LOWER FEED COMPONENTS

No.	Parts No.	Parts name	Remarks	Level	Cons	Qty
48	40130018	FELT				1
49	23036304	FEED LEVER SUPPORT				2
50	SS6090612TP	SCREW 9/64-40 L=6				2
51	40130014	FEED_LEVER_BASE_2710	FOR PLC-2710,2710-7			1
52	SM6051402TP	SCREW M5X0.8 L=14				2
53	D1231555B00	WASHER				2
54	B125578100A	WASHER A				2
55	40038494	THREAD_BIND_ARM_SPRING RAC				1
56	22904155	MAIN SHAFT THRUST COLLAR ASM.				2
57	22904106	MAIN SHAFT THRUST COLLAR		*		1
58	SS8660610TP	SCREW 1/4-40 L=6		*		2
59	RC0150001KP	C-RING 15 (13.8)				2
60	RE1200000K0	E-RING 12				1
61	WP0650876SD	WASHER 6.5X13X0.8				1
62	CQ202000000	COTTON OIL WICK D=2				0.02
63	CQ202000000	COTTON OIL WICK D=2				0.042
64	CQ202000000	COTTON OIL WICK D=2				0.024
65	CQ202000000	COTTON OIL WICK D=2				0.024
66	CQ202000000	COTTON OIL WICK D=2				0.04
67	CQ202000000	COTTON OIL WICK D=2				0.3
68	CQ202000000	COTTON OIL WICK D=2				0.3
69	CQ202000000	COTTON OIL WICK D=2				0.3
70	CQ202000000	COTTON OIL WICK D=2				0.3
71	RC0650811KP	C-RING 7 (6.5)				4
72	SB130000200	BEARING				1
73	SB115000200	BEARING	FOR PLC-2710,2710-7,2760, 2760-7,2765			1
74	SS8110422TP	SCREW 11/64-40 L=4				1
75	SM6061802TP	SCREW M6 L=18				1
76	SM8040412TP	SCREW M4X4				2
77	SM8050842TP	SETSCREW				1
78	SM8050812TP	SCREW M5X8				1
79	SM8050612TP	SCREW M5X6				1
80	SM8060612TP	SCREW M6 L=6				12
81	SM8060812TP	SCREW M6 L=8				2
82	SS6111010TP	SCREW 11/64-40 L=9.5				2
83	SM6061402TP	SCREW M6 L=14				1
84	26018705	WASHER				4
85	NS6680410SP	HEXAGONAL NUT 9/32-28				1
86	WP0740516SP	WASHER 7.4X11.8X0.5				4
87	40125935	VERTICAL_FEED_ARM_FRONT				1
88	40126359	VERTICAL_FEED_ROD_BUSH				2
89	40123345	FELT				1
90	40137554	FELT HOLDER				1
91	SM6040650TP	SCREW				2
92	40137779	SUPPORT PLATE				1
93	40137780	SPRING RAC				1
94	SM6050800SP	SCREW M5 L=8				2

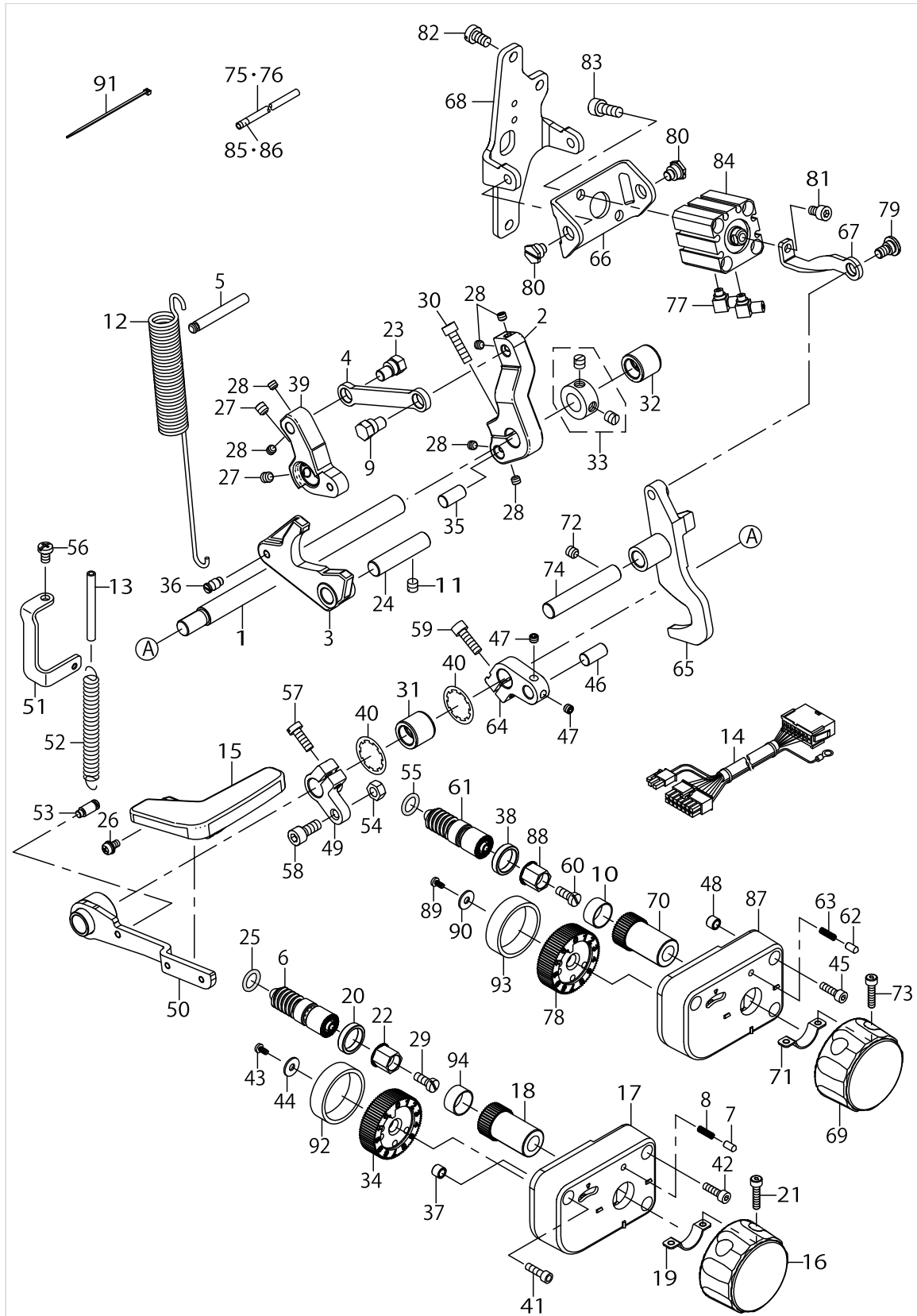
LOWER FEED COMPONENTS



LOWER FEED COMPONENTS

No.	Parts No.	Parts name	Remarks	Level	Cons	Qty
95	40130015	FEED_LEVER_BASE_2760	FOR PLC-2760,2760-7,2760L, 2765			1
96	CQ202000000	OIL WICK				0.05
97	CQ202000000	OIL WICK				0.05
98	40134534	V_FEED_CAM_2.0	FOR PLC-2760L			1
99	SB117000700	BEARING	FOR PLC-2760L			1
100	40154833	VERTICAL_FEED_COLLAR				1
101	SM6062502TP	SCREW M6 L=25				1

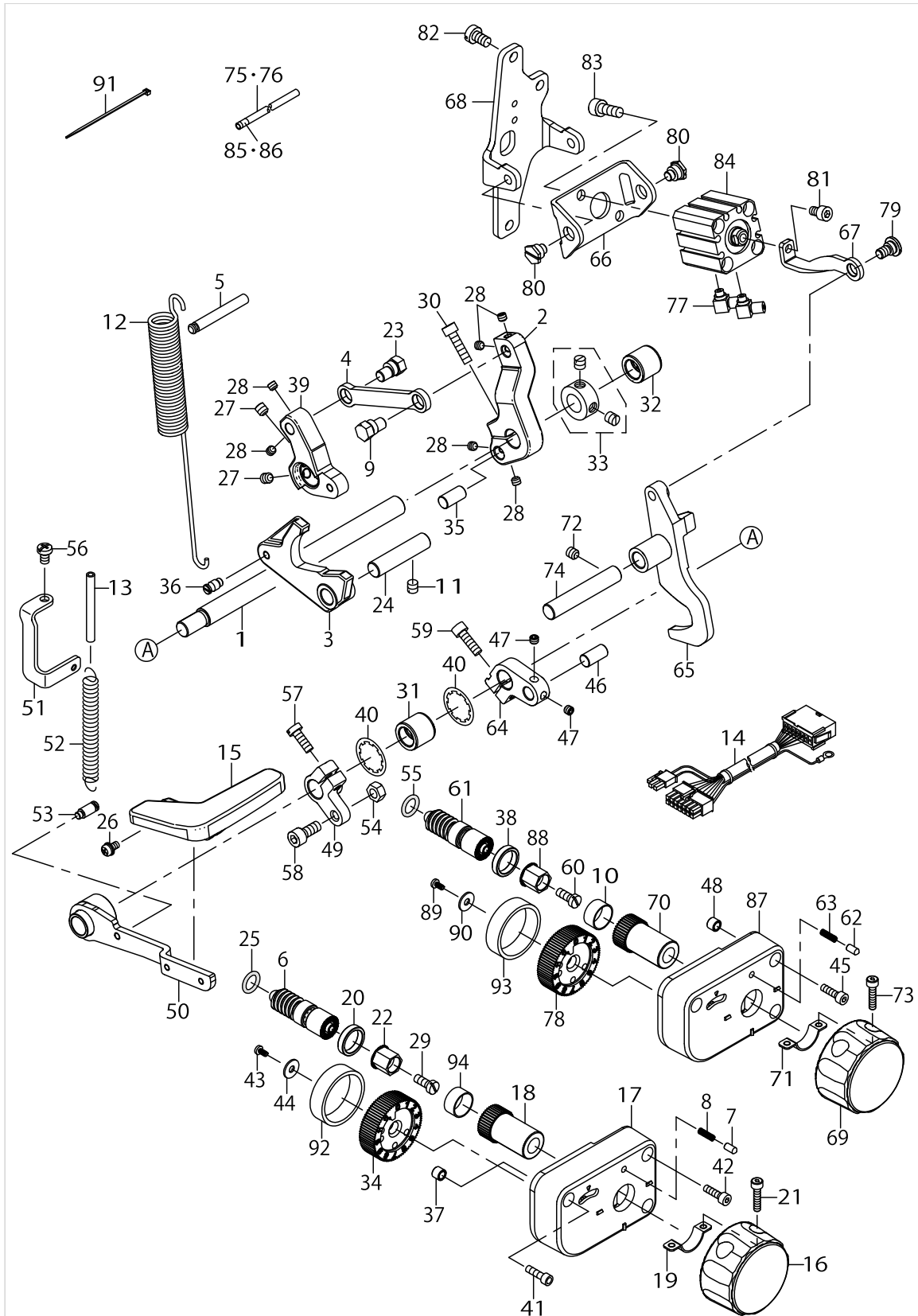
FEED ADJUST COMPONENTS



FEED ADJUST COMPONENTS

No.	Parts No.	Parts name	Remarks	Level	Cons	Qty
1	40126363	BACKWARD_FEED_LEVER_SHAFT				1
2	40129986	FEED_ADJUSTING_PIN_HOLDER_A				1
3	40129984	ADJUSTING_BASE_A				1
4	40129988	FEED_ADJUSTING_LINK				1
5	40134528	SPRING SUSPENSION				1
6	22911804	FEED REGULATOR SCREW				1
7	10715704	VERTICAL DIAL PIN			☆	1
8	B152652700G	SPRING				1
9	23613409	FEED ADJUSTING PIN				1
10	40137613	DIAL PLATE BUSH	FOR PLC-2710-7,2760-7			1
11	SM8060612TP	SCREW M6 L=6				1
12	40134105	FEED_ADJUSTING_BASE_SPRING				1
13	23630007	TUBE				0.08
14	40139455	SOLENOID RELAY CABLE ASM.	FOR PLC-2710,2760,2760L, 2765(- WITH AK) PLC-2710,2760,2760L, 2765(WITH AK,BT,DL)			1
15	40126116	REVERSE_FEED_LEVER_DRAFT				1
16	40130004	FEED_DIAL_KNOB			☆	1
17	40130001	FEED_DIAL_COVER_A				1
18	40130003	FEED_DIAL_GEAR				1
19	40130005	FEED_DIAL_SUPPORT_PLATE				1
20	40133826	SPACER				1
21	SM6041802TP	SCREW M4 L=18				2
22	40130006	HEXA_SHAFT				1
23	23613409	FEED ADJUSTING PIN				1
24	40033825	HEAD_FIXED_SHAFT				1
25	RO092270200	O-RING			☆	1
26	SL4040881SC	SCREW M4 L=8				2
27	SM8060612TP	SCREW M6 L=6				2
28	SM8050412TP	SCREW M5 L=4				6
29	SS6121210SP	SCREW 3/16-28 L=12				1
30	SM6052002TP	SCREW M5X0.8 L=20				1
31	13424502	BUSHING FRONT				1
32	40086018	BUSHING_MAIN_FEED				1
33	CS1201010SH	THRUST COLLAR ASM. D=12 W=10				1
34	40132118	FEED_DIAL_PLATE_A				1
35	40134959	FEED ADJUSTING PIN A				1
36	40137780	SPRING RAC				1
37	B4122804000	ROLLER				1
38	40133826	SPACER	FOR PLC-2710-7,2760-7			1
39	40130412	FEED_ADJUSTING_ARM_BT				1
40	WT1780011KP	TOOTHED WASHER 18				2
41	SM6041402TP	SCREW M4 L=14				1
42	SM6040802TP	SCREW M4X0.7 L=8				2
43	40130820	SCREW				1
44	WP0431005SP	PLAIN WASHER				1
45	SM6041402TP	SCREW M4 L=14	FOR PLC-2710-7,2760-7			3
46	40131887	FEED_ADJUSTING_PIN	FOR PLC-2710-7,2760-7			1

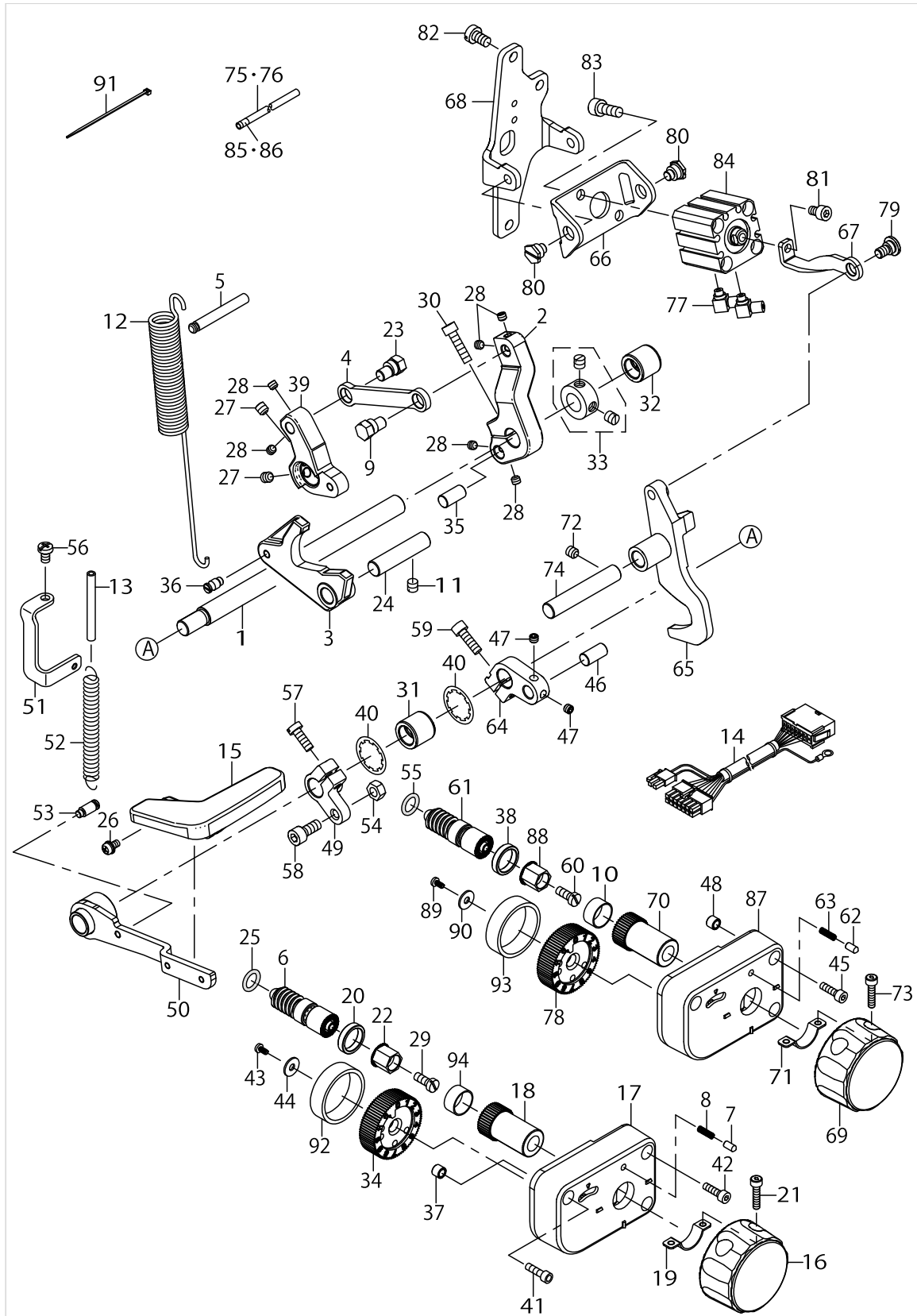
FEED ADJUST COMPONENTS



FEED ADJUST COMPONENTS

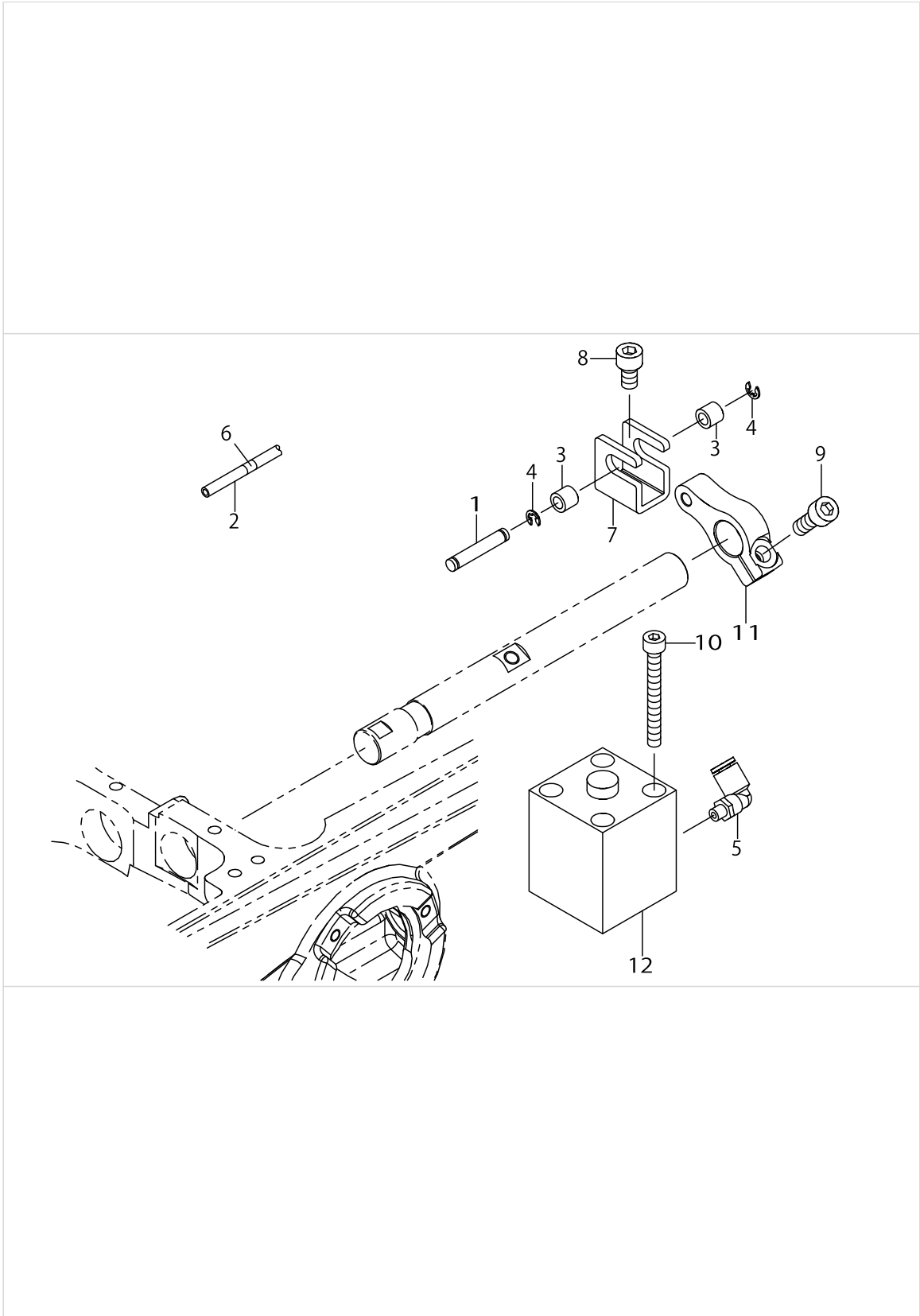
No.	Parts No.	Parts name	Remarks	Level	Cons	Qty
47	SM8050412TP	SCREW M5 L=4	FOR PLC-2710-7,2760-7			2
48	B4122804000	ROLLER	FOR PLC-2710-7,2760-7			3
49	40112127	BACKWARD_FEED_CONNECTING_ARM	FOR PLC-2710-7,2760-7			1
50	40129991	REVERSE_FEED_LEVER_ASM	FOR PLC-2710-7,2760-7			1
51	40125864	REVERSE_FEED_LEVER_SPRING_HOOK	FOR PLC-2710-7,2760-7			1
52	D2629M1YCOF	SPRING	FOR PLC-2710-7,2760-7			1
53	26229302	SUSPENSION SCREW	FOR PLC-2710-7,2760-7			1
54	NM6050001SD	NUT M5X0.8 TYPE1	FOR PLC-2710-7,2760-7			1
55	RO092270200	O-RING	FOR PLC-2710-7,2760-7		☆	1
56	SM4050855SP	SCREW	FOR PLC-2710-7,2760-7			1
57	SM6051400SP	SCREW	FOR PLC-2710-7,2760-7			1
58	SM6051202TP	SCREW M5X0.8 L=12	FOR PLC-2710-7,2760-7			1
59	SM6051602TP	SCREW M5X0.8 L=16	FOR PLC-2710-7,2760-7			1
60	SS6121210SP	SCREW 3/16-28 L=12	FOR PLC-2710-7,2760-7			1
61	22911804	FEED REGULATOR SCREW	FOR PLC-2710-7,2760-7			1
62	10715704	VERTICAL DIAL PIN	FOR PLC-2710-7,2760-7		☆	1
63	B152652700G	SPRING	FOR PLC-2710-7,2760-7			1
64	40125858	FEED_ADJUSTING_PIN HOLDER_B	FOR PLC-2710-7,2760-7			1
65	40129985	ADJUSTING_BASE_B	FOR PLC-2710-7,2760-7			1
66	40126642	CYLINDER_BASE_A	FOR PLC-2710-7,2760-7			1
67	40129999	CYLINDER_JOINT_B	FOR PLC-2710-7,2760-7			1
68	40126643	CYLINDER_BASE_B	FOR PLC-2710-7,2760-7			1
69	40130004	FEED_DIAL_KNOB	FOR PLC-2710-7,2760-7		☆	1
70	40130003	FEED_DIAL_GEAR	FOR PLC-2710-7,2760-7			1
71	40130005	FEED_DIAL_SUPPORT_PLATE	FOR PLC-2710-7,2760-7			1
72	SM8060612TP	SCREW M6 L=6	FOR PLC-2710-7,2760-7			1
73	SM6041802TP	SCREW M4 L=18	FOR PLC-2710-7,2760-7			2
74	40077931	PRESSURE_LOWERING_SHAFT	FOR PLC-2710-7,2760-7			1
75	BT0400251EB	URETHANE TUBE BLACK 4X2.5	FOR PLC-2710-7,2760-7			0.36
76	BT0400251EB	URETHANE TUBE BLACK 4X2.5	FOR PLC-2710-7,2760-7			0.36
77	PJ046052503	HOSE ELBOW	FOR PLC-2710-7,2760-7			2
78	40132118	FEED_DIAL_PLATE_A	FOR PLC-2710-7,2760-7			1
79	SD0800346TP	SHOULDER SCREW D=8 H=3.4	FOR PLC-2710-7,2760-7			1
80	SD0900426TP	SHOULDER SCREW D=9 H=4.2	FOR PLC-2710-7,2760-7			2
81	SM6050802TP	SCREW M5X0.8 L=8	FOR PLC-2710-7,2760-7			1
82	SM6061010TP	SCREW M6 L=10	FOR PLC-2710-7,2760-7			3
83	SM6061602TP	SCREW M6 L=16	FOR PLC-2710-7,2760-7			2
84	PA200150900	AIR CYLINDER	FOR PLC-2710-7,2760-7			1
85	18035006	CABLE MARK NO.1	FOR PLC-2710-7,2760-7			2
86	18035105	WIRE MARK (2)	FOR PLC-2710-7,2760-7			2
87	40130819	FEED_DIAL_COVER_B	FOR PLC-2710-7,2760-7			1
88	40130006	HEXA_SHAFT	FOR PLC-2710-7,2760-7			1
89	40130820	SCREW	FOR PLC-2710-7,2760-7			2
90	WP0431005SP	PLAIN WASHER	FOR PLC-2710-7,2760-7			2
91	EA9500B0100	CABLE BAND	FOR PLC-2710-7,2760-7			2
92	40137612	DIAL PLATE BUSH				1
93	40137612	DIAL PLATE BUSH	FOR PLC-2710-7,2760-7			1

FEED ADJUST COMPONENTS



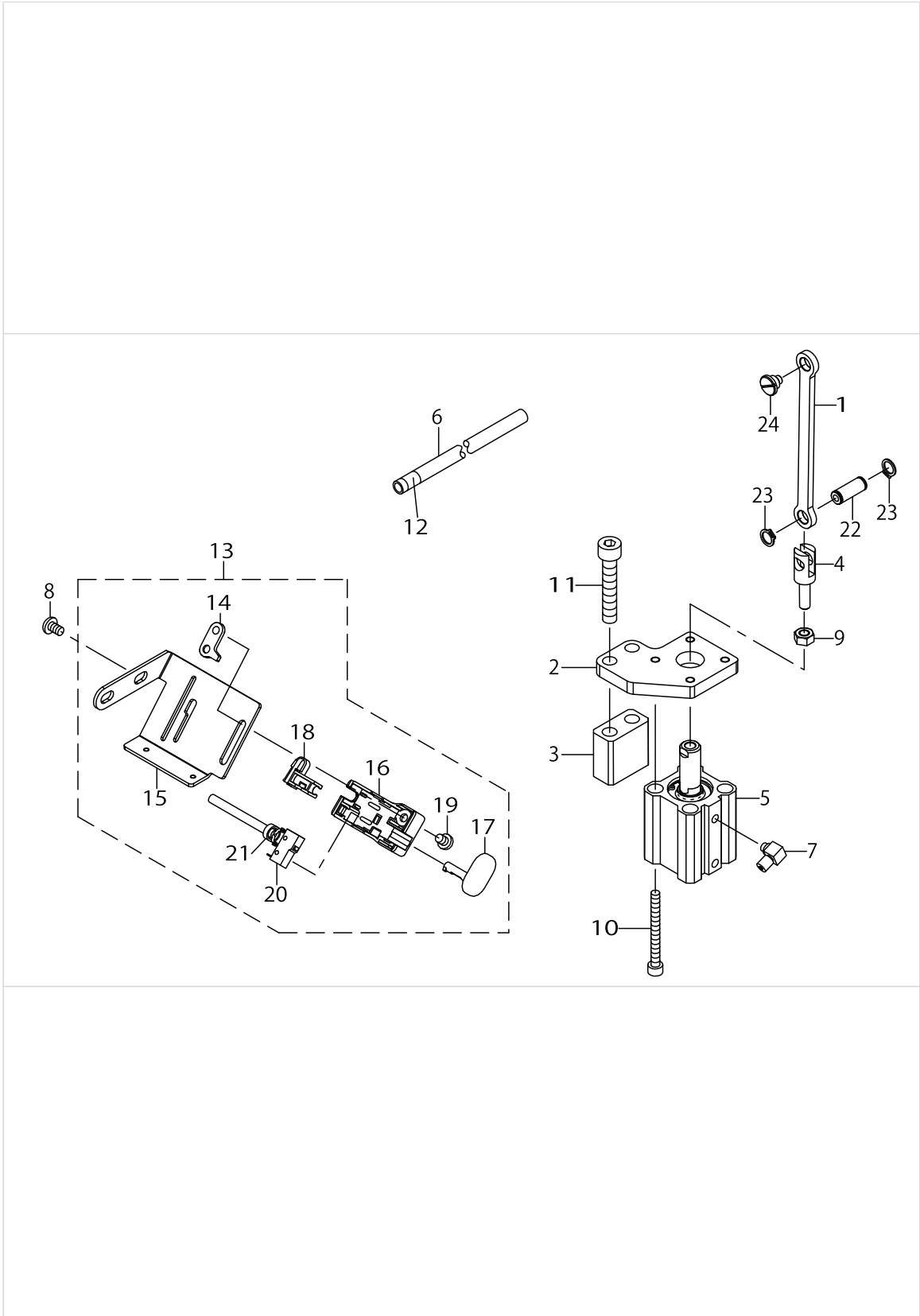
FEED ADJUST COMPONENTS

No.	Parts No.	Parts name	Remarks	Level	Cons	Qty
94	40137613	DIAL PLATE BUSH				1



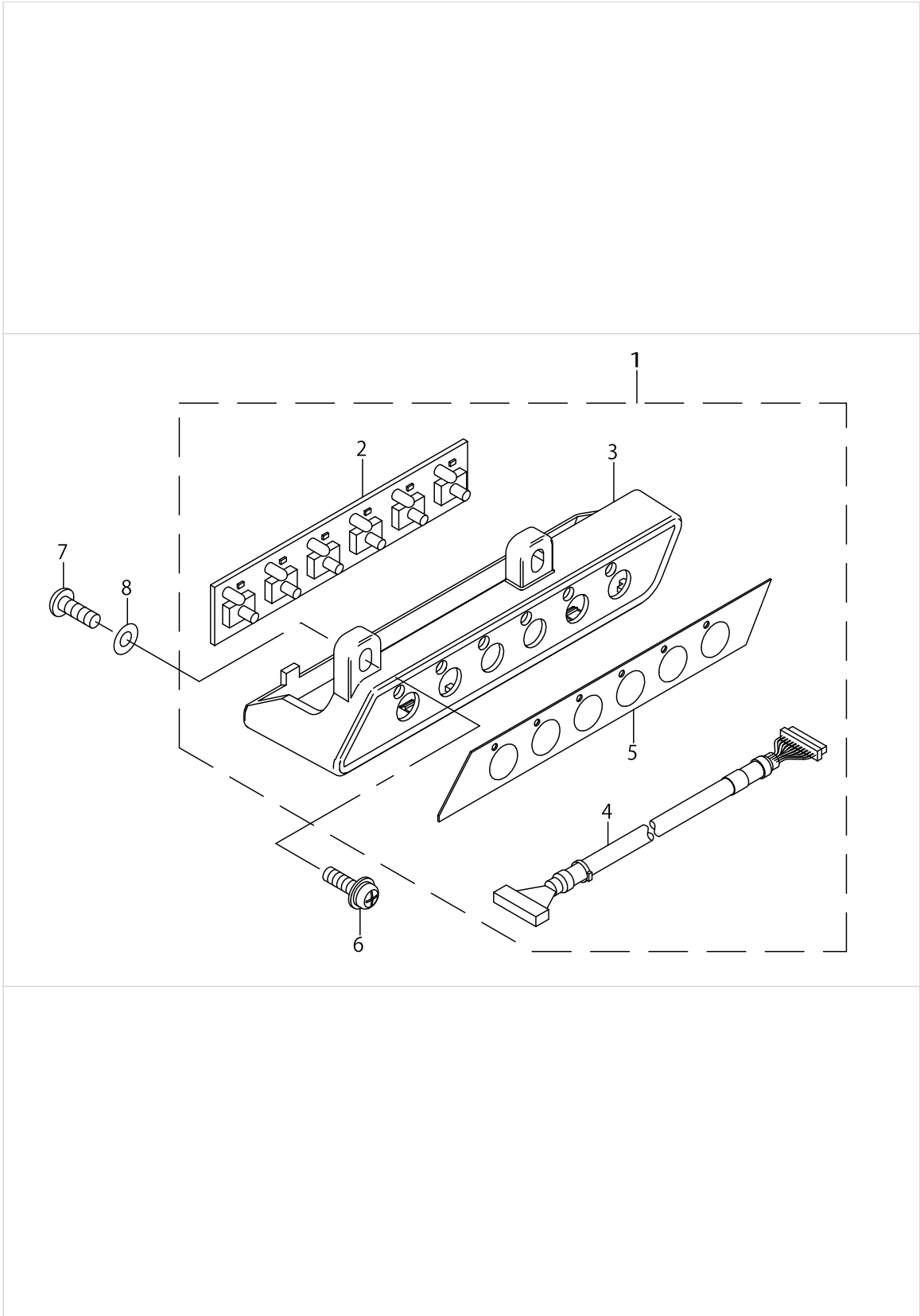
DL COMPONENTS(FOR PLC-2710-7,2760-7,2710(WITH AK,BT,DL),2760(WITH AK,BT,DL),2760L(WITH AK,BT,DL),2765(WITH A

No.	Parts No.	Parts name	Remarks	Level	Cons	Qty
1	B1504210000	CONNECTING SHAFT				1
2	BT0400251EB	URETHANE HOSE BLACK				0.58
3	B3031141H00	CONNECTING STUD				2
4	RE0320000K0	E-RING 3.2				2
5	PJ304040504	ELBOW UNION				1
6	18035501	WIRE MARK (6)				2
7	40112191	KNUCKLE_JOINT_B				1
8	SM6061002TP	SCREW M6 L=10				1
9	SM6061602TP	SCREW M6 L=16				1
10	SM6054502TP	SCREW M5X0.8 L=45				2
11	40112192	TERTICAL_CYLINDER_ARM				1
12	PA250250900	AIR CYLINDER				1



AUTO BT COMPONENTS(FOR PLC-2710-7,2760-7,2710(WITH AK,BT,DL),2760(WITH AK,BT,DL),2760L(WITH AK,BT,DL),2765

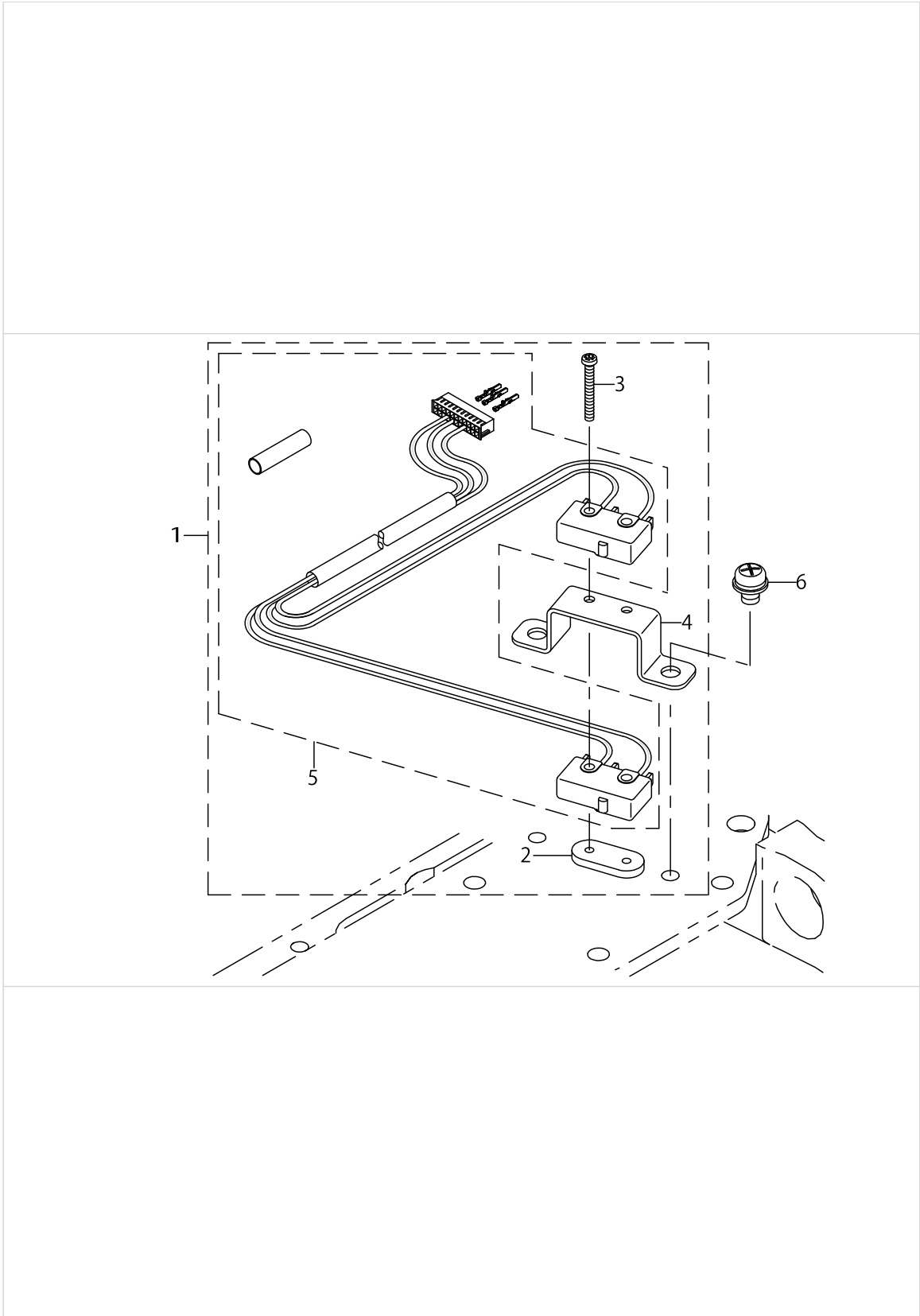
No.	Parts No.	Parts name	Remarks	Level	Cons	Qty
1	40130413	BT_LINK				1
2	40130024	BT_CYLINDER_PLATE				1
3	40130414	BT_CYLINDER_BLOCK				1
4	40052254	CYLINDER KNUCKLE JOINT				1
5	PA250250900	AIR CYLINDER				1
6	BT0400251EB	URETHANE TUBE BLACK 4X2.5				0.27
7	PJ046052503	HOSE ELBOW				1
8	SM4050855SP	SCREW				2
9	NM6060001CP	NUT M6X1 TYPE1				1
10	SM6055002TP	SCREW M5 L=50				4
11	SM6084502TP	SCREW M8 L=45				2
12	18035709	WIRE MARK (8)				2
13	40130285	TB_SWITCH_ASSY				1
14	23632102	REVERSE FEED SWITCH BASE GUIDE		*		1
15	40112213	TB_SW_MOUNTING_PLATE		*		1
16	23631708	REVERSE FEED SWITCH COVER		*		1
17	23631807	REVERSE FEED SWITCH SHAFT		*		1
18	23631906	REVERSE FEED SWITCH SUPPORT		*		1
19	SS7110740TP	SCREW 11/64-40 L=7		*		1
20	40130286	REVERSE FEED CORD ASM		*		1
21	EA9500B0100	CABLE BAND		*		1
22	10714103	CONNECTION LINK PIN A				1
23	RC0740811KP	C-RING 8 (7.4)				2
24	SD0800406TP	SHOULDER SCREW D=8 H=4				1



6-RANGE SW COMPONENTS(FOR PLC-2710-7,2760-7,2710(WITH AK,BT,DL),2760(WITH AK,BT,DL),2760L(WITH AK,BT,DL),2

No.	Parts No.	Parts name	Remarks	Level	Cons	Qty
1	40130287	6RANGE SWITCH ASM				1
2	40105510	6RANGE SWITCH PCB ASSY		*		1
3	40112215	6RANGE_SWITCH_COVER		*		1
4	40130288	6RANGE SWITCH CABLE ASM.		*		1
5	40112216	PANEL SHEET		*		1
6	SL4041491SC	SCREW 4X14	FOR PLC-2710-7,2760-7, 2710(WI- TH AK,BT,DL), 2760(WITH AK,BT,DL)			2
7	SM4041201SC	SCREW M4 L=12	FOR PLC-2765(WITH AK,BT,DL)			2
8	WP0430801SC	WASHER M4	FOR PLC-2765(WITH AK,BT,DL)			2

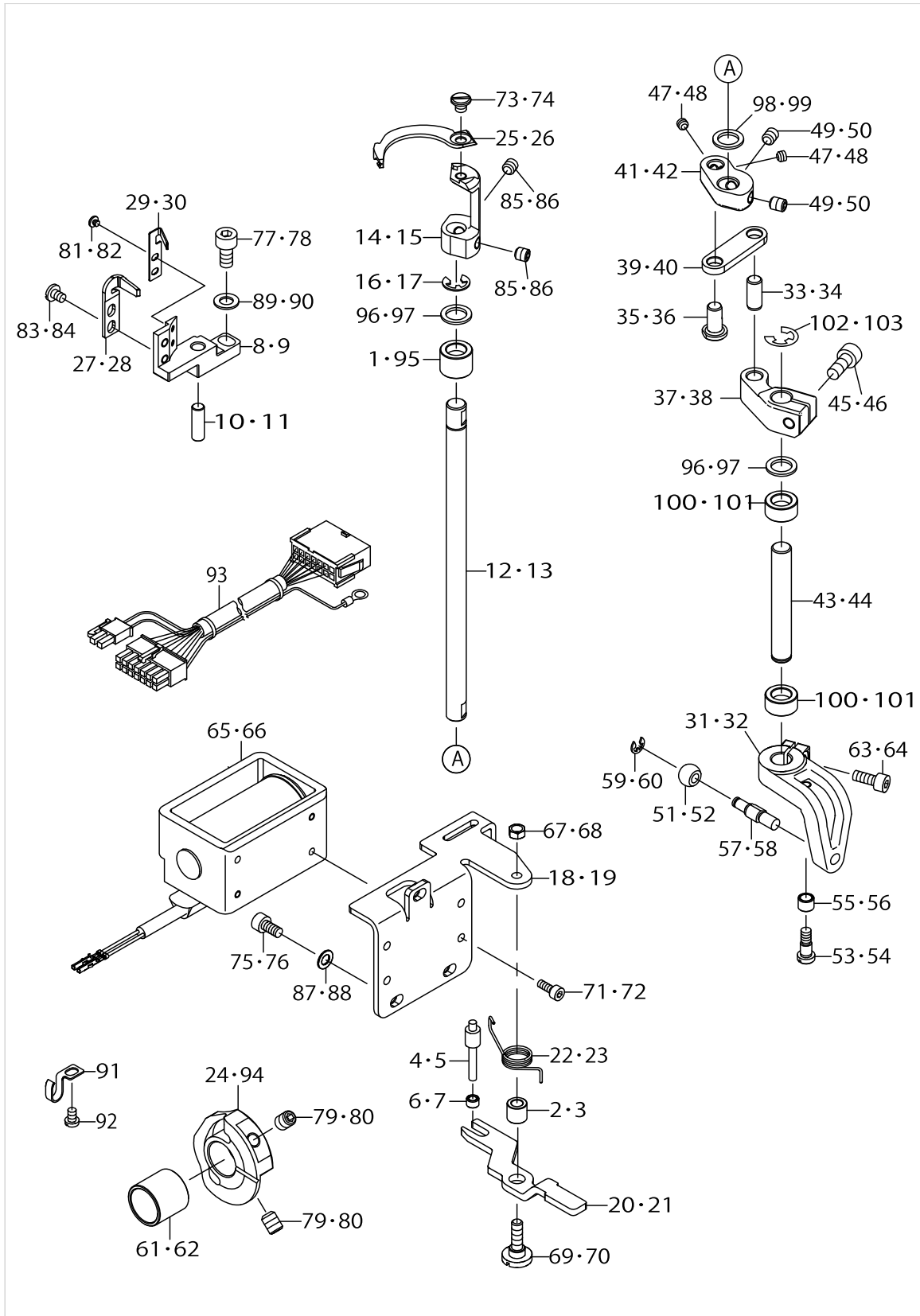
SPEED ADJUST COMPONENTS(FOR PLC-2710-7,2760-7)



SPEED ADJUST COMPONENTS(FOR PLC-2710-7,2760-7)

No.	Parts No.	Parts name	Remarks	Level	Cons	Qty
1	40130289	VERTICAL_DETECTOR_SWITCH_ASM.				1
2	23638406	SAFETY SWITCH NUT		*		1
3	SM4021601SN	SCREW M2 L=16		*		2
4	40126259	SENSOR_BRACKET		*		1
5	40130290	SPEED CONTROL CORD ASM.		*		1
6	SL4040691SC	SCREW M4 L=6				2

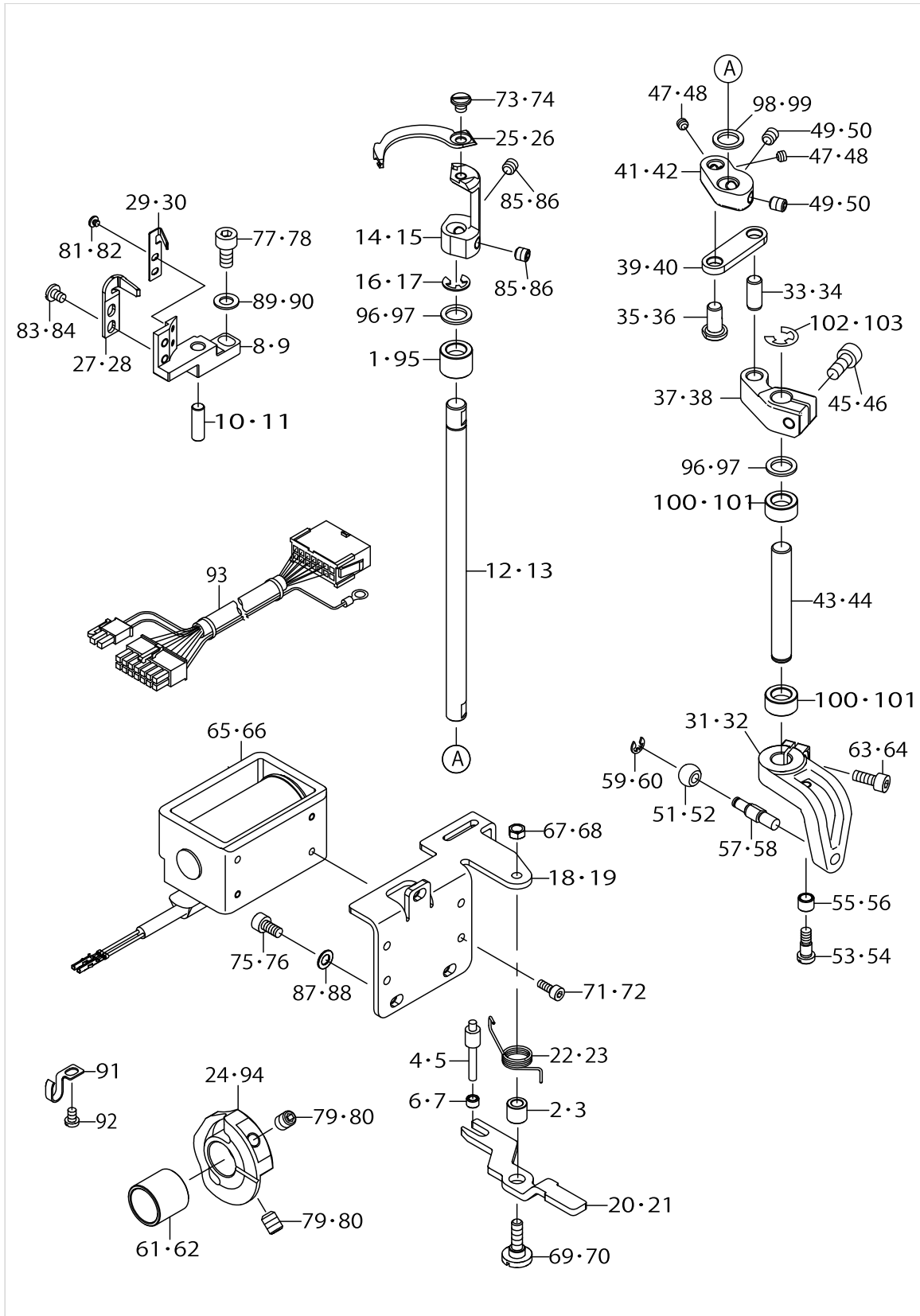
THREAD CUTTING COMPONENTS(FOR PLC-2710-7,2760-7)



THREAD CUTTING COMPONENTS(FOR PLC-2710-7,2760-7)

No.	Parts No.	Parts name	Remarks	Level	Cons	Qty
1	40138044	BEARING				1
2	22956205	WIPER HINGE SCREW COLLAR	FOR PLC-2710-7			1
3	22956205	WIPER HINGE SCREW COLLAR	FOR PLC-2760-7			2
4	22957104	WIPER SOLENOID SHAFT	FOR PLC-2710-7			1
5	22957104	WIPER SOLENOID SHAFT	FOR PLC-2760-7			2
6	22957203	WIPER LINK COLLAR	FOR PLC-2710-7			1
7	22957203	WIPER LINK COLLAR	FOR PLC-2760-7			2
8	40130057	F_KNIFE_BASE	FOR PLC-2710-7			1
9	40130057	F_KNIFE_BASE	FOR PLC-2760-7			2
10	13416508	PIN_DIFF_ADJ	FOR PLC-2710-7			1
11	13416508	PIN_DIFF_ADJ	FOR PLC-2760-7			2
12	40130051	M_KNIFE_SHAFT	FOR PLC-2710-7			1
13	40130051	M_KNIFE_SHAFT	FOR PLC-2760-7			2
14	40130049	M_KNIFE_BASE	FOR PLC-2710-7			1
15	40130049	M_KNIFE_BASE	FOR PLC-2760-7			2
16	RE0500000K0	E-RING	FOR PLC-2710-7			1
17	RE0500000K0	E-RING	FOR PLC-2760-7			2
18	40133503	THREAD TRIMMER SOL BASE PLATE	FOR PLC-2710-7			1
19	40133503	THREAD TRIMMER SOL BASE PLATE	FOR PLC-2760-7			2
20	40112234	KNIFE_DRIVING_ARM_LINK	FOR PLC-2710-7			1
21	40112234	KNIFE_DRIVING_ARM_LINK	FOR PLC-2760-7			2
22	40112235	DRIVING_ARM_RETURN_SPRING	FOR PLC-2710-7			1
23	40112235	DRIVING_ARM_RETURN_SPRING	FOR PLC-2760-7			2
24	40130059	THREAD_TRIMMER_CAM_RIGHT				1
25	40130050	MOVING_KNIFE	FOR PLC-2710-7		☆	1
26	40130050	MOVING_KNIFE	FOR PLC-2760-7		☆	2
27	40130056	FIXED_KNIFE	FOR PLC-2710-7		☆	1
28	40130056	FIXED_KNIFE	FOR PLC-2760-7		☆	2
29	40130055	CLAMP_SPRING	FOR PLC-2710-7		☆	1
30	40130055	CLAMP_SPRING	FOR PLC-2760-7		☆	2
31	40123248	MOVING_KNIFE_DRIVING_ARM	FOR PLC-2710-7			1
32	40123248	MOVING_KNIFE_DRIVING_ARM	FOR PLC-2760-7			2
33	13319405	MAIN_FEED_ROCKER_PIN	FOR PLC-2710-7			1
34	13319405	MAIN_FEED_ROCKER_PIN	FOR PLC-2760-7			2
35	13461504	LINK_PIN	FOR PLC-2710-7			1
36	13461504	LINK_PIN	FOR PLC-2760-7			2
37	40130052	M_KNIFE_ARM_A	FOR PLC-2710-7			1
38	40130052	M_KNIFE_ARM_A	FOR PLC-2760-7			2
39	40130053	M_KNIFE_LINK	FOR PLC-2710-7			1
40	40130053	M_KNIFE_LINK	FOR PLC-2760-7			2
41	40130054	M_KNIFE_ARM_B	FOR PLC-2710-7			1
42	40130054	M_KNIFE_ARM_B	FOR PLC-2760-7			2
43	40130058	M_KNIFE_DRIVING_SHAFT	FOR PLC-2710-7			1
44	40130058	M_KNIFE_DRIVING_SHAFT	FOR PLC-2760-7			2
45	SM6051202TP	SCREW M5X0.8 L=12	FOR PLC-2710-7			1
46	SM6051202TP	SCREW M5X0.8 L=12	FOR PLC-2760-7			2
47	SM8040312TP	SCREW M4 L=3	FOR PLC-2710-7			2

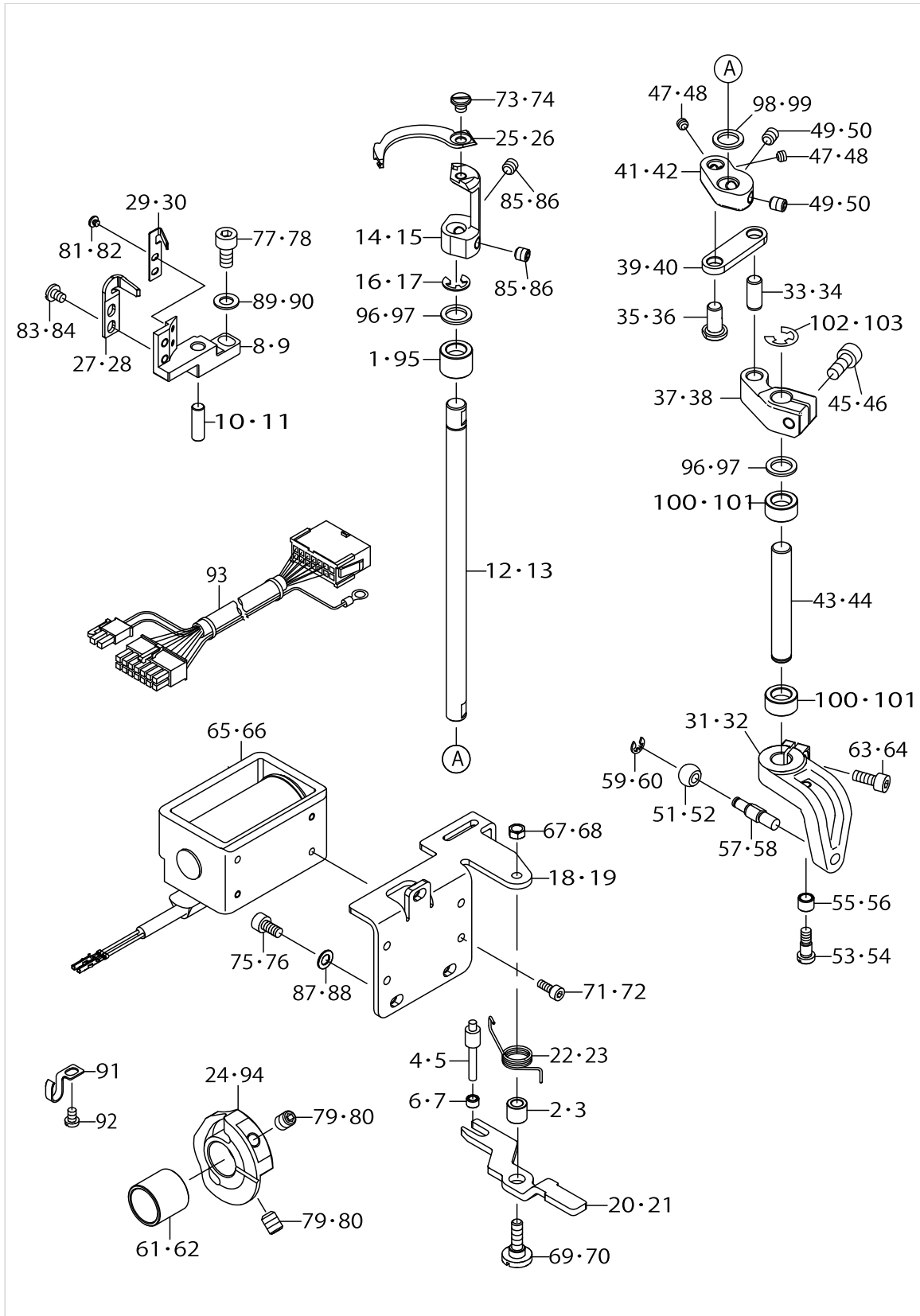
THREAD CUTTING COMPONENTS(FOR PLC-2710-7,2760-7)



THREAD CUTTING COMPONENTS(FOR PLC-2710-7,2760-7)

No.	Parts No.	Parts name	Remarks	Level	Cons	Qty
48	SM8040312TP	SCREW M4 L=3	FOR PLC-2760-7			4
49	SM8050612TP	SCREW M5X6	FOR PLC-2710-7			2
50	SM8050612TP	SCREW M5X6	FOR PLC-2760-7			4
51	21470505	CAM ROLLER(245-7SP)	FOR PLC-2710-7			1
52	21470505	CAM ROLLER(245-7SP)	FOR PLC-2760-7			2
53	SD0460576TP	SHOULDER SCREW D=4.6 H=5.7	FOR PLC-2710-7			1
54	SD0460576TP	SHOULDER SCREW D=4.6 H=5.7	FOR PLC-2760-7			2
55	B2508047000	BLOCK ROLLER	FOR PLC-2710-7			1
56	B2508047000	BLOCK ROLLER	FOR PLC-2760-7			2
57	40130593	ROLLER_SHAFT	FOR PLC-2710-7			1
58	40130593	ROLLER_SHAFT	FOR PLC-2760-7			2
59	RE0300000K0	E-RING 3	FOR PLC-2710-7			1
60	RE0300000K0	E-RING 3	FOR PLC-2760-7			2
61	40130620	SPACER	FOR PLC-2710-7			1
62	40130620	SPACER	FOR PLC-2760-7			2
63	SM6041002TP	SCREW M4X0.7 L=10	FOR PLC-2710-7			1
64	SM6041002TP	SCREW M4X0.7 L=10	FOR PLC-2760-7			2
65	40137921	THREAD_TRIMMER_SOLENOID	FOR PLC-2710-7			1
66	40137921	THREAD_TRIMMER_SOLENOID	FOR PLC-2760-7			2
67	NS6110310SP	HEXAGONAL NUT 11/64-40	FOR PLC-2710-7			1
68	NS6110310SP	HEXAGONAL NUT 11/64-40	FOR PLC-2760-7			2
69	SD0650321TP	SHOULDER SCREW D=6.5 H=3.2	FOR PLC-2710-7			1
70	SD0650321TP	SHOULDER SCREW D=6.5 H=3.2	FOR PLC-2760-7			2
71	SM6030602TP	SCREW M3X0.5 L=6	FOR PLC-2710-7			4
72	SM6030602TP	SCREW M3X0.5 L=6	FOR PLC-2760-7			8
73	SS6110480SP	SCREW 11/64-40 L=4.3	FOR PLC-2710-7			1
74	SS6110480SP	SCREW 11/64-40 L=4.3	FOR PLC-2760-7			2
75	SM6040802TP	SCREW M4X0.7 L=8	FOR PLC-2710-7			3
76	SM6040802TP	SCREW M4X0.7 L=8	FOR PLC-2760-7			6
77	SM6051002TP	SCREW M5X0.8 L=10	FOR PLC-2710-7			1
78	SM6051002TP	SCREW M5X0.8 L=10	FOR PLC-2760-7			2
79	SM8060812TP	SCREW M6 L=8	FOR PLC-2710-7			2
80	SM8060812TP	SCREW M6 L=8	FOR PLC-2760-7			4
81	SS6060220SP	SCREW 3/32-56 L=2.0	FOR PLC-2710-7			2
82	SS6060220SP	SCREW 3/32-56 L=2.0	FOR PLC-2760-7			4
83	SS6090520SP	SCREW 9/64-40 L=5.0	FOR PLC-2710-7			2
84	SS6090520SP	SCREW 9/64-40 L=5.0	FOR PLC-2760-7			4
85	SM8050512TP	SCREW	FOR PLC-2710-7			2
86	SM8050512TP	SCREW	FOR PLC-2760-7			4
87	WP0450000SD	WASHER 4.5X8X0.5	FOR PLC-2710-7			3
88	WP0450000SD	WASHER 4.5X8X0.5	FOR PLC-2760-7			6
89	WP0550800SP	WASHER 5.5X10X0.8	FOR PLC-2710-7			1
90	WP0550800SP	WASHER 5.5X10X0.8	FOR PLC-2760-7			2
91	26231902	OIL WICK PIPE STOPPER				1
92	SM4040655SP	SCREW M4 L=6				1
93	40139455	SOLENOID RELAY CABLE ASM.				1
94	40130060	THREAD_TRIMMER_CAM_LEFT	FOR PLC-2760-7			1

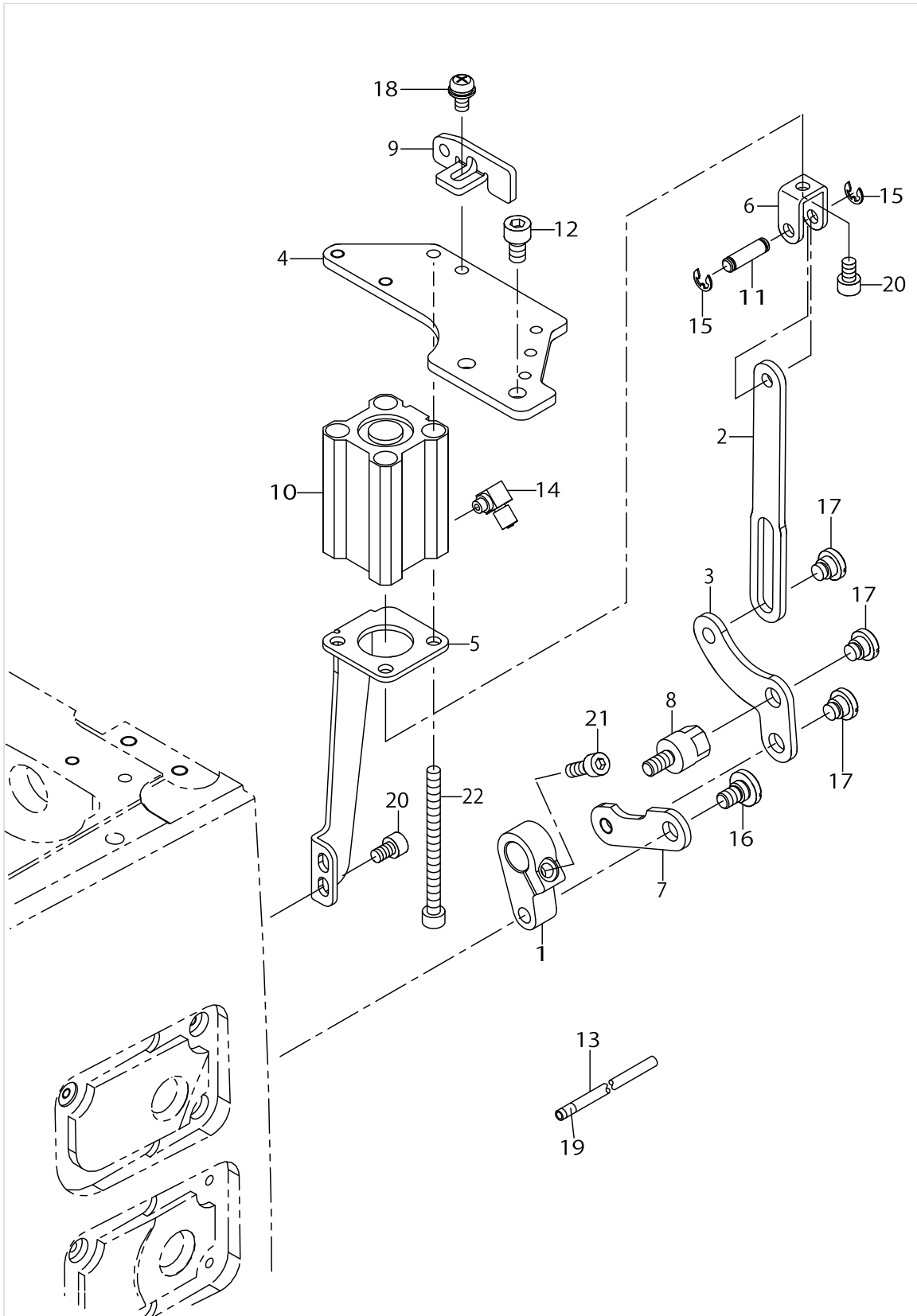
THREAD CUTTING COMPONENTS(FOR PLC-2710-7,2760-7)



THREAD CUTTING COMPONENTS(FOR PLC-2710-7,2760-7)

No.	Parts No.	Parts name	Remarks	Level	Cons	Qty
95	40138044	BEARING	FOR PLC-2760-7			2
96	40137802	WASHER	FOR PLC-2710-7			2
97	40137802	WASHER	FOR PLC-2760-7			4
98	40137803	WASHER	FOR PLC-2710-7			1
99	40137803	WASHER	FOR PLC-2760-7			2
100	40137999	BEARING	FOR PLC-2710-7			2
101	40137999	BEARING	FOR PLC-2760-7			4
102	RE0500000K0	E-RING	FOR PLC-2710-7			1
103	RE0500000K0	E-RING	FOR PLC-2760-7			2

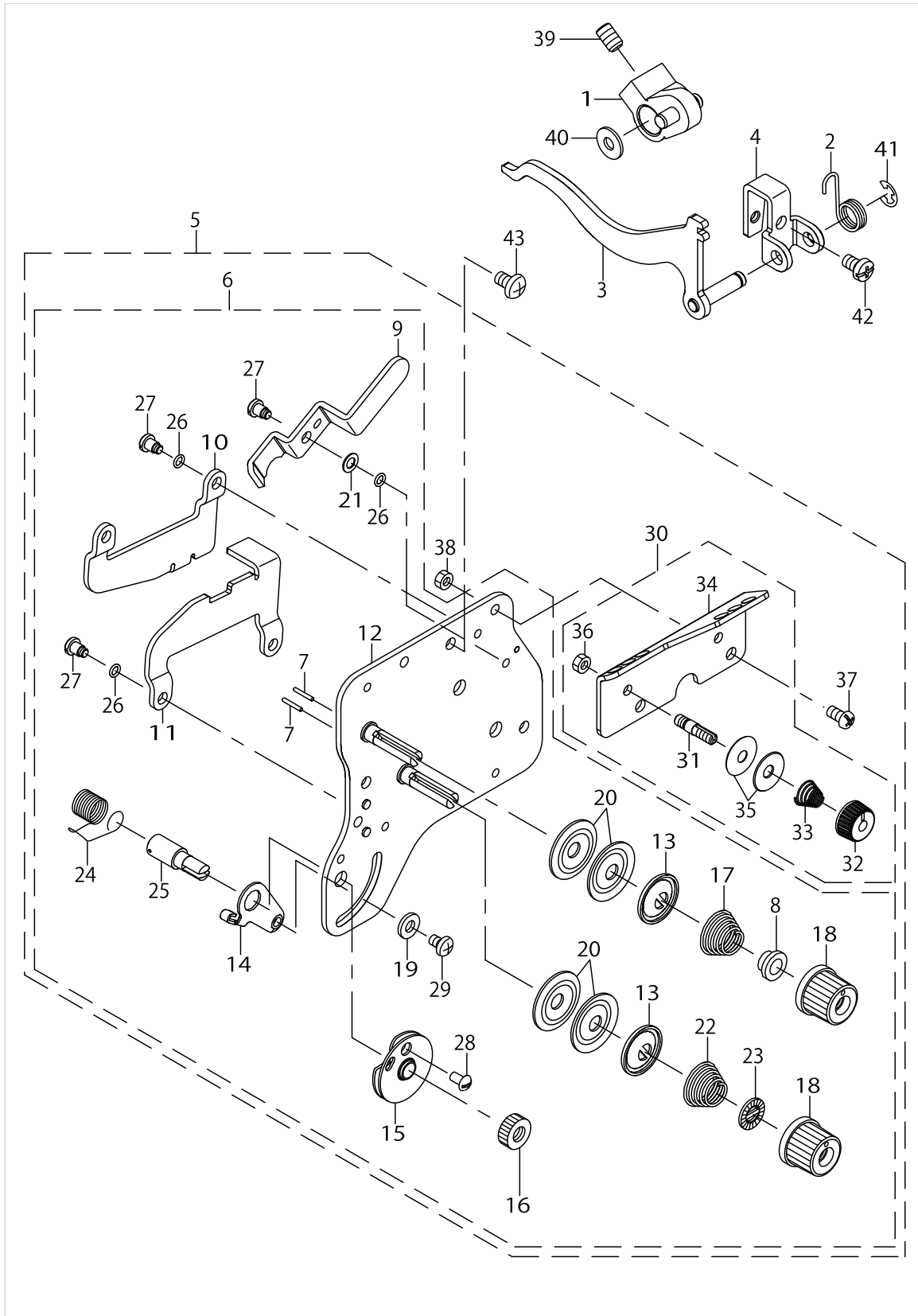
CONDENSE COMPONENTS(FOR PLC-2710-7,2760-7)



CONDENSE COMPONENTS(FOR PLC-2710-7,2760-7)

No.	Parts No.	Parts name	Remarks	Level	Cons	Qty
1	40133612	CONDENSE ARM				1
2	40112137	LINK_A				1
3	40112138	LINK_B				1
4	40125872	CYLINDER_BRACKET				1
5	40112140	CYLINDER_STAY				1
6	40112149	CYLINDER_KNUCKLE				1
7	40133655	LINK D				1
8	40171514	BT_LINK_STUD				1
9	40112228	MOTOR_COVER_FITTING_PLATE				1
10	PA200350300	AIR CYLINDER				1
11	D2464555B00	LINK DRIVING MAGNET PIN				1
12	SM6061002TP	SCREW M6 L=10				2
13	BT0400251EB	URETHANE HOSE BLACK				0.27
14	PJ046052503	HOSE ELBOW				1
15	RE0400000K0	E-RING 4				2
16	SD0800321TH	HINGE SCREW D=8 H=3.2				1
17	SD0800341SP	HINGE SCREW D=8 H=3.4				3
18	SL4051091SC	SCREW M5X0.8 L=10				1
19	18035303	WIRE MARK (4)				2
20	SM6050802TP	SCREW M5X0.8 L=8				3
21	SM6051402TP	SCREW M5X0.8 L=14				1
22	SM6056552TP	SCREW				3

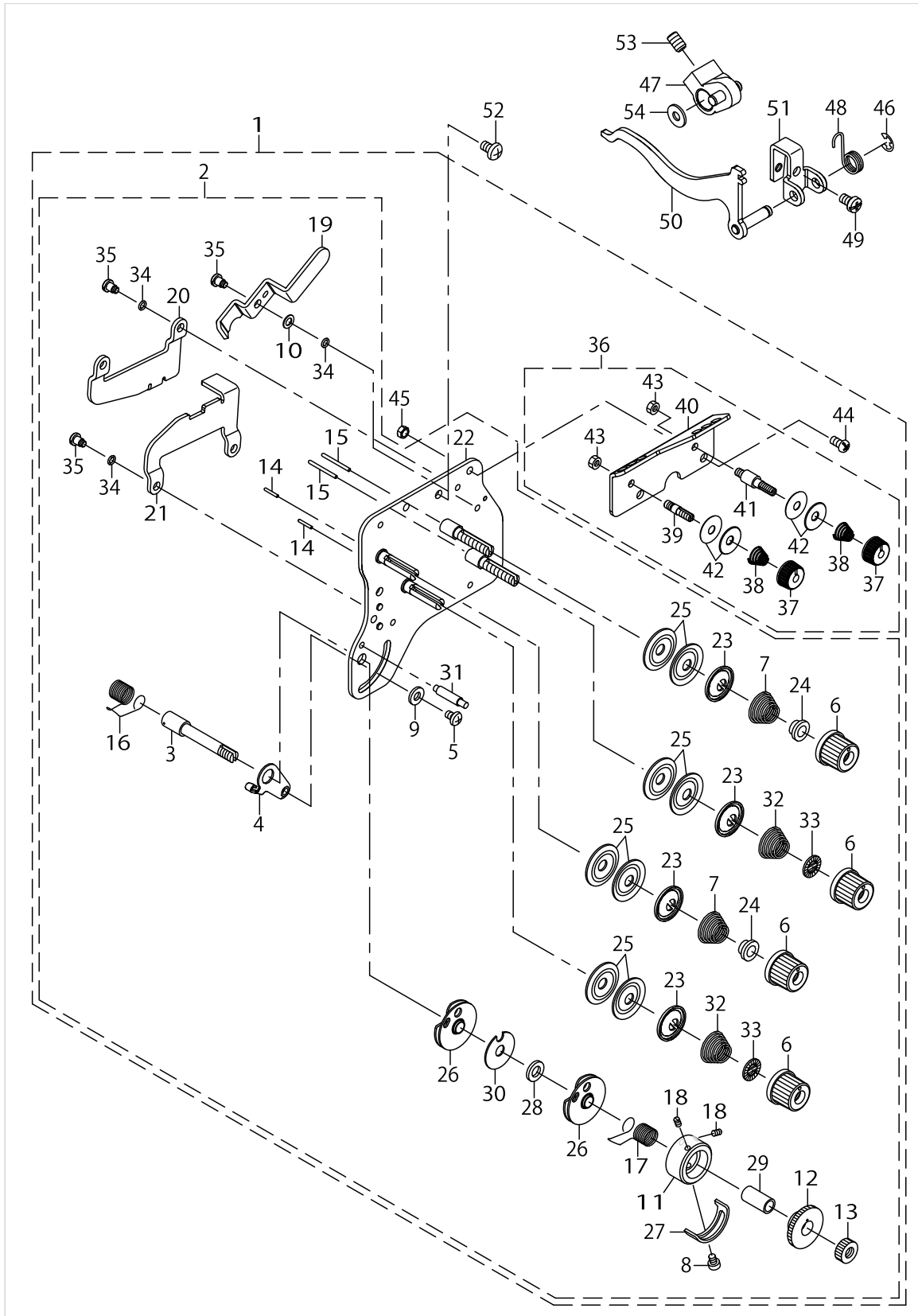
THREAD TENSION COMPONENTS(FOR PLC-2710,2710-7)



THREAD TENSION COMPONENTS(FOR PLC-2710,2710-7)

No.	Parts No.	Parts name	Remarks	Level	Cons	Qty
1	22912257	FEED REVERSE ARM ASM.				1
2	22954309	REVERSE FEED SWITCH SPRING				1
3	40126265	DISK_RELEASE_LINK_ASM.				1
4	40125873	DISK_RELEASE_LINK_BASE				1
5	40176347	THREAD_TENSION_ASSY_2710				1
6	40176349	THREAD_TENSION_PLATE_ASM_2710		*		1
7	22618201	TENSION RELEASE PIN A		*	☆	2
8	B3112704000	TENSION SPRING BUSHING		*		1
9	40112204	TENSION_RELEASE_LEVER		*		1
10	40112218	DISK_RELEASE_PLATE_A		*		1
11	40112219	DISK_RELEASE_PLATE_B		*		1
12	40126404	ASSY_TENSION_BASE_PLATE		*		1
13	40126724	TENSION_DISC HOLDER		*		2
14	10697506	THREAD TENSION BRACKET A		*		1
15	B31375270A0	TAKE-UP SPRING GUIDE ASM.		*		1
16	22617807	NUT		*		1
17	12938304	TENSION SPRING		*	☆	1
18	13817408	THREAD TENSION NUT		*		2
19	WP0501016SD	WASHER 5X10.5X1		*		1
20	22921506	THREAD TENSION DISK		*	☆	4
21	WP0460556SD	WASHER 4.6X7.5X0.5		*		1
22	B3129053000	TENSION SPRING		*		1
23	22921407	ROTATION STOPPER		*		1
24	22618706	THREAD TAKE-UP SPRING A		*	☆	1
25	10320109	SCREW STUD		*		1
26	RO037180100	RUBBER RING		*		5
27	SD0450401SP	HINGE SCREW D=4.5 H=4		*		5
28	SS3090710TP	SCREW 9/64-40 L=7		*		1
29	SS4110615SP	SCREW 11/64-40 L=6		*		1
30	40155958	THREAD_GUIDE_PLATE_ASM_2810		*		1
31	40155994	TEREAD_TENSION_POST_A		*		1
32	22945703	THREAD TENSION NUT		*		1
33	22963409	THREAD TENSION SPRING		*	☆	1
34	40155960	THREAD_GUIDE_PLATE		*		1
35	22945802	THREAD TENSION DISK		*	☆	1
36	NS6110310SP	NUT 11/64-40		*		1
37	SS4110815SP	SCREW 11/64-40 L=8		*		2
38	NS6110310SP	HEXAGONAL NUT 11/64-40		*		2
39	SS8661012TP	SCREW				1
40	22528509	FELT				1
41	RE0500000K0	E-RING				1
42	SM4050855SP	SCREW				1
43	SM4051001SN	SCREW M5				3

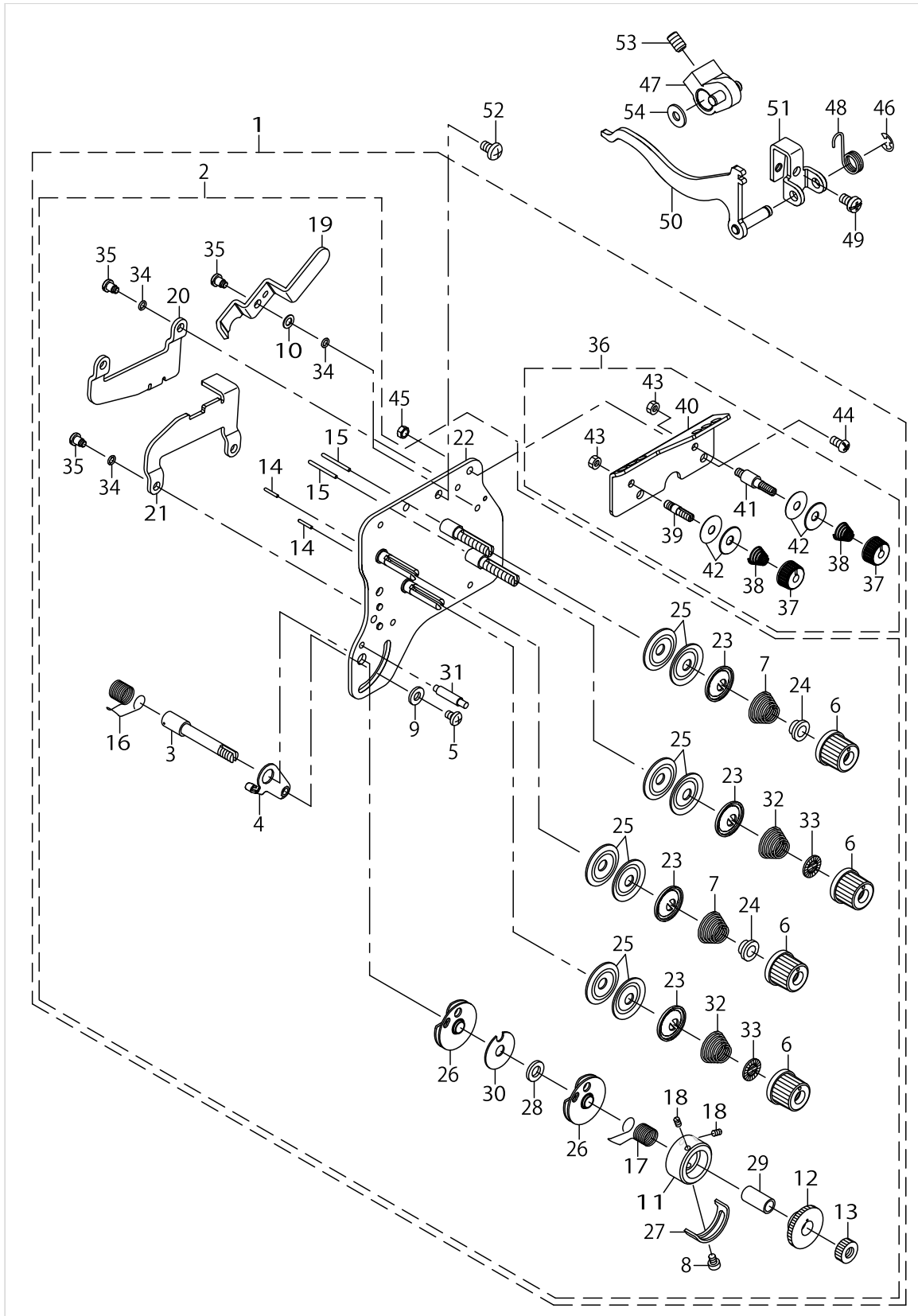
THREAD TENSION COMPONENTS(FOR PLC-2760,2760-7,2760L)



THREAD TENSION COMPONENTS(FOR PLC-2760,2760-7,2760L)

No.	Parts No.	Parts name	Remarks	Level	Cons	Qty
1	40176348	THREAD_TENSION_ASSY_2760				1
2	40176350	THREAD_TENSION_PLATE_ASM_2760		*		1
3	10697605	THREAD TAKE-UP SPRING STUD		*		1
4	10697506	THREAD TENSION BRACKET A		*		1
5	SS4110615SP	SCREW 11/64-40 L=6		*		1
6	13817408	THREAD TENSION NUT		*	☆	4
7	12938304	TENSION SPRING		*	☆	2
8	SS7090510SP	SCREW 9/64-40 L=4.6		*		1
9	WP0501016SD	WASHER 5X10.5X1		*		1
10	WP0460556SD	WASHER 4.6X7.5X0.5		*		1
11	22617609	THREAD TENSION POST		*		1
12	22617708	TAKE-UP SPRING GUIDE		*		1
13	22617807	NUT		*		1
14	22618201	TENSION RELEASE PIN A		*	☆	2
15	22618300	TENSION RELEASE PIN B		*	☆	2
16	22618706	THREAD TAKE-UP SPRING A		*	☆	1
17	22618805	THREAD TAKE-UP SPRING B		*	☆	1
18	22618904	SET SCREW		*		2
19	40112204	TENSION_RELEASE_LEVER		*		1
20	40112218	DISK_RELEASE_PLATE_A		*		1
21	40112219	DISK_RELEASE_PLATE_B		*		1
22	40126557	ASSY_TENSION_BASE_PLATE		*		1
23	40126724	TENSION_DISC_HOLDER		*		4
24	B3112704000	TENSION SPRING BUSHING		*		2
25	22921506	THREAD TENSION DISK		*	☆	8
26	B31375270A0	TAKE-UP SPRING GUIDE ASM.		*		2
27	B3138527000	ADJUSTING PLATE B		*		1
28	B3139527000	COLLAR		*		1
29	B3141527000	PRESSER COLLAR		*		1
30	B3142527000	TAKE-UP SPRING GUIDE PLATE		*		1
31	B3143527000	TAKE-UP SPRING GUIDE STUD		*		1
32	B312905300	TENSION SPRING		*	☆	2
33	22921407	ROTATION STOPPER		*		2
34	RO037180100	RUBBER RING		*		5
35	SD0450401SP	HINGE SCREW D=4.5 H=4		*		5
36	40155959	THREAD_GUIDE_PLATE_ASM_2860		*		1
37	22945703	THREAD TENSION NUT		*		2
38	22963409	THREAD TENSION SPRING		*	☆	2
39	40155994	TEREAD_TENSION_POST_A		*		1
40	40155960	THREAD_GUIDE_PLATE		*		1
41	40155995	TEREAD_TENSION_POST_B		*		1
42	22945802	THREAD TENSION DISK		*	☆	4
43	NS6110310SP	HEXAGONAL NUT 11/64-40		*		2
44	SS4110815SP	SCREW 11/64-40 L=8		*		2
45	NS6110310SP	NUT 11/64-40		*		2
46	RE0500000K0	E-RING				1
47	22912257	FEED REVERSE ARM ASM.				1

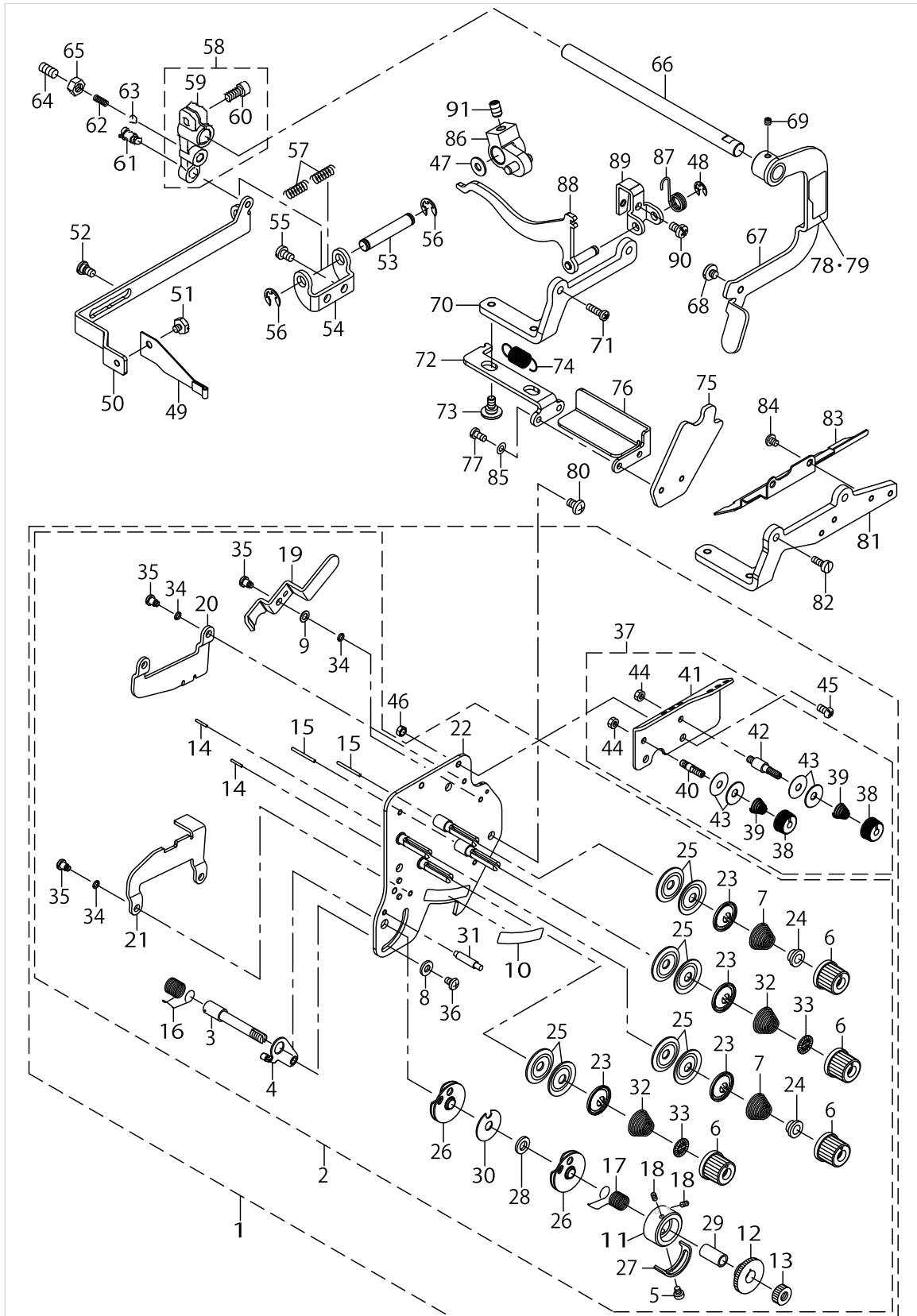
THREAD TENSION COMPONENTS(FOR PLC-2760,2760-7,2760L)



THREAD TENSION COMPONENTS(FOR PLC-2760,2760-7,2760L)

No.	Parts No.	Parts name	Remarks	Level	Cons	Qty
48	22954309	REVERSE FEED SWITCH SPRING				1
49	SM4050855SP	SCREW				1
50	40126265	DISK_RELEASE_LINK_ASM.				1
51	40125873	DISK_RELEASE_LINK_BASE				1
52	SM4051001SN	SCREW M5				3
53	SS8661012TP	SCREW				1
54	22528509	FELT				1

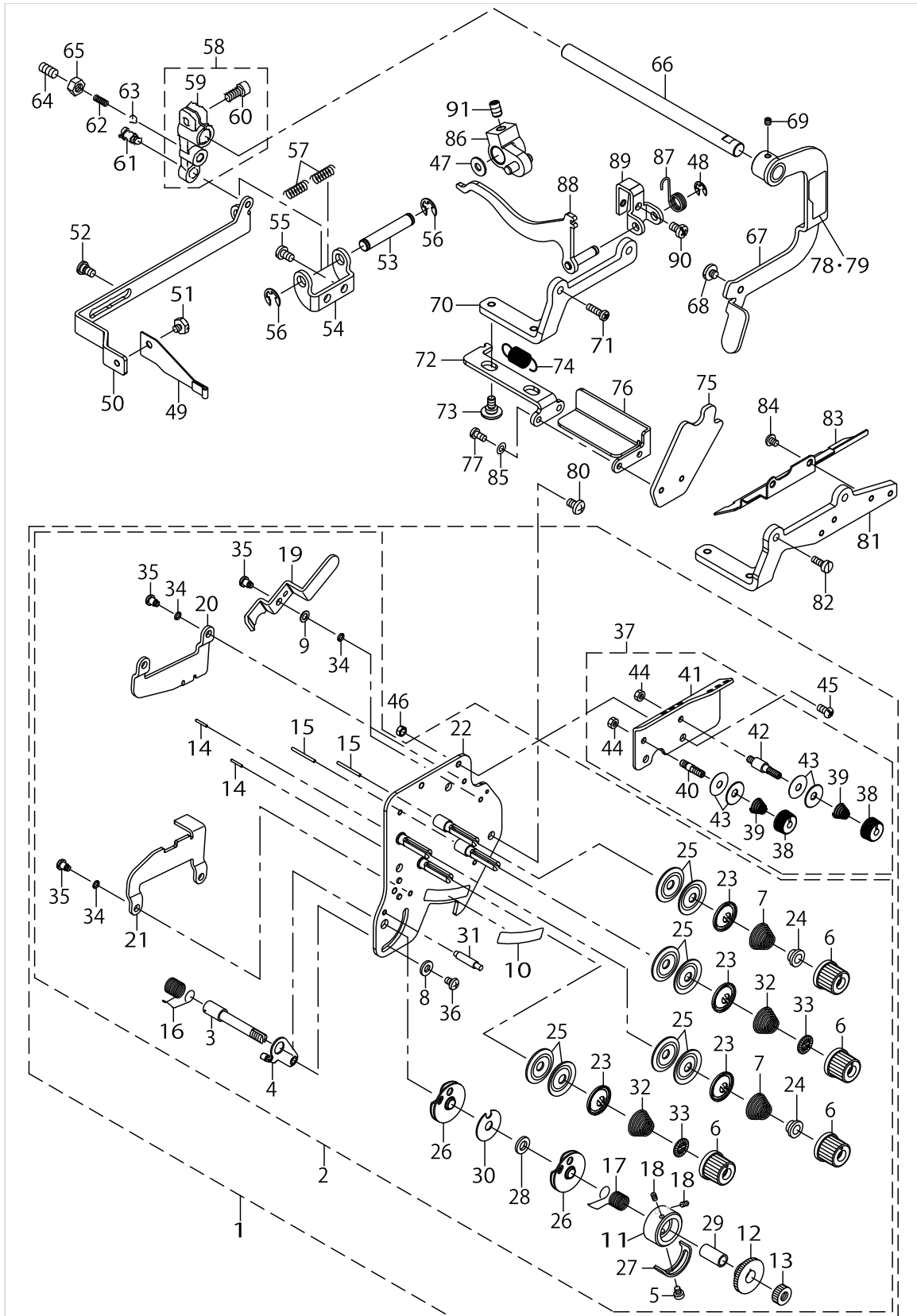
NEEDLE STOP CHANGE LEVER & THREAD TENSION COMPONENTS(FOR PLC-2765)



NEEDLE STOP CHANGE LEVER & THREAD TENSION COMPONENTS(FOR PLC-2765)

No.	Parts No.	Parts name	Remarks	Level	Cons	Qty
1	40177393	THREAD_TENSION_ASSY_2765				1
2	40177394	THREAD_TENSION_PLATE_ASM_2765		*		1
3	10697605	THREAD TAKE-UP SPRING STUD		*		1
4	10697506	THREAD TENSION BRACKET		*		1
5	SS7090510SP	SCREW 9/64-40 L=4.6		*		1
6	13817408	THREAD TENSION NUT		*	☆	4
7	12938304	TENSION SPRING		*	☆	2
8	WP0501016SD	WASHER 5X10.5X1		*		1
9	WP0460556SD	WASHER 4.6X7.5X0.5		*		1
10	40138484	TENSION PLATE LABEL		*		1
11	22617609	THREAD TENSION POST		*		1
12	22617708	TAKE-UP SPRING GUIDE		*		1
13	22617807	NUT		*		1
14	22618201	TENSION RELEASE PIN		*	☆	2
15	22618300	TENSION RELEASE PIN		*	☆	2
16	22618706	THREAD TAKE-UP SPRING A		*	☆	1
17	22618805	THREAD TAKE-UP SPRING B		*	☆	1
18	22618904	SET SCREW		*		2
19	40112204	TENSION_RELEASE_LEVER		*		1
20	40112218	DISK_RELEASE_PLATE_A		*		1
21	40112219	DISK_RELEASE_PLATE_B		*		1
22	40131668	ASSY_TENSION_BASE_PLATE_2865		*		1
23	40126724	TENSION_DISC_HOLDER		*		4
24	B3112704000	TENSION SPRING BUSHING		*		2
25	22921506	THREAD TENSION DISK		*	☆	8
26	B31375270A0	TAKE-UP SPRING GUIDE ASM.		*		2
27	B3138527000	ADJUSTING PLATE B		*		1
28	B3139527000	COLLAR		*		1
29	B3141527000	PRESSER COLLAR		*		1
30	B3142527000	TAKE-UP SPRING GUIDE PLATE		*		1
31	B3143527000	TAKE-UP SPRING GUIDE STUD		*		1
32	B3129053000	TENSION SPRING		*		2
33	22921407	ROTATION STOPPER		*		2
34	RO037180100	O-RING		*		5
35	SD0450401SP	SHOULDER SCREW D=4.5 H=4		*		5
36	SS4110615SP	SCREW 11/64-40 L=6		*		1
37	40177402	THREAD_GUIDE_PLATE_ASM_2765		*		1
38	22945703	THREAD TENSION NUT		*		2
39	22963409	THREAD TENSION SPRING		*	☆	2
40	40155994	TEREAD_TENSION_POST_A		*		1
41	40177400	THREAD_GUIDE_PLATE_2765		*		1
42	40155995	TEREAD_TENSION_POST_B		*		1
43	22945802	THREAD TENSION DISK		*	☆	4
44	NS6110310SP	HEXAGONAL NUT 11/64-40		*		2
45	SS4110815SP	SCREW 11/64-40 L=8		*		2
46	NS6110310SP	HEXAGONAL NUT 11/64-40		*		2
47	22528509	FELT				1

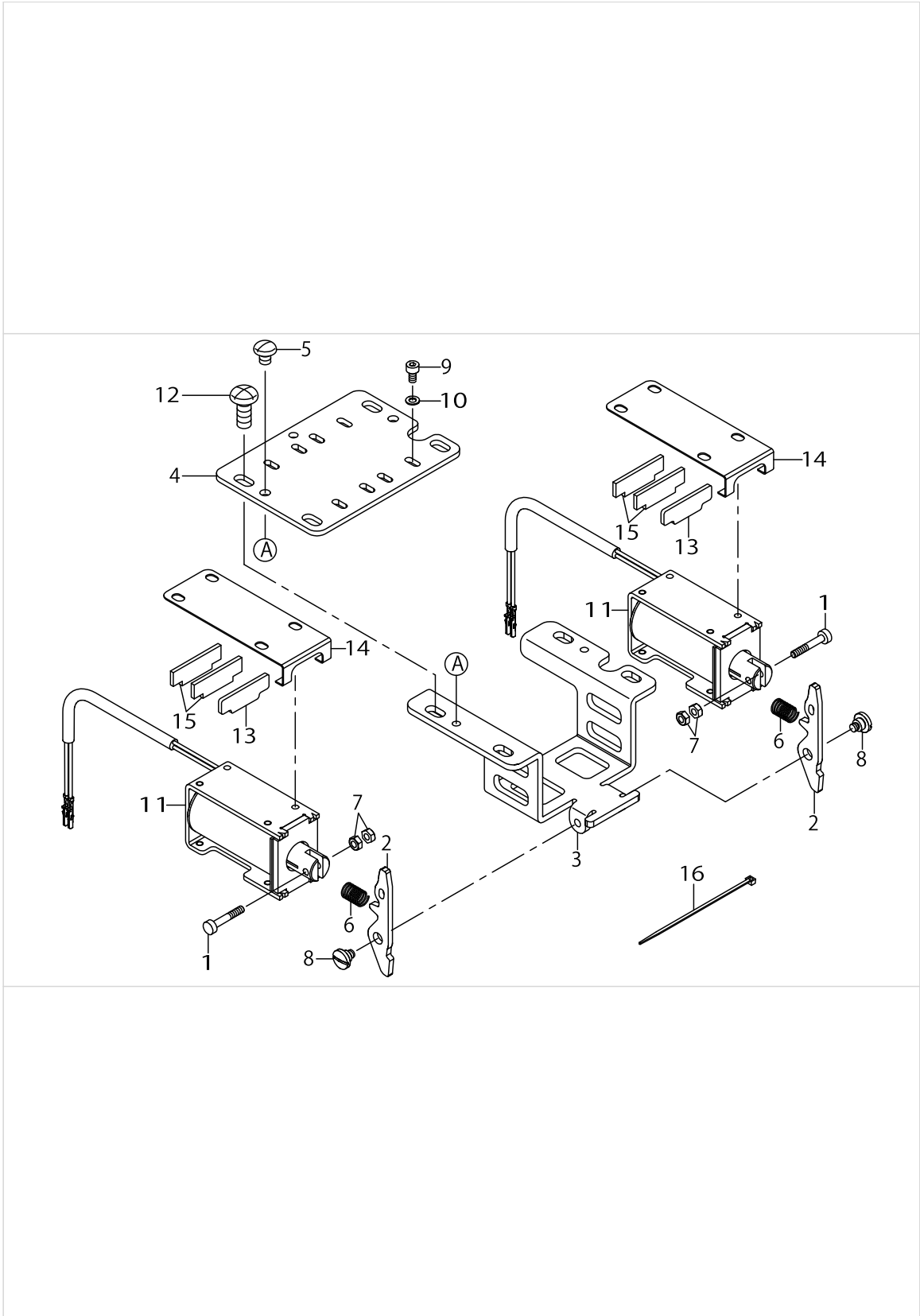
NEEDLE STOP CHANGE LEVER & THREAD TENSION COMPONENTS(FOR PLC-2765)



NEEDLE STOP CHANGE LEVER & THREAD TENSION COMPONENTS(FOR PLC-2765)

No.	Parts No.	Parts name	Remarks	Level	Cons	Qty
48	RE050000K0	E-RING				1
49	40131657	LEAF_SPRING				1
50	40131658	REPOSITIONING_PLATE				1
51	SS9110460CP	SCREW 11/64-40 L=4				1
52	SD0600346TP	SHOULDER SCREW				2
53	22687701	SPRING SHAFT				1
54	40131659	SPRING_BASE				1
55	SM4050855SP	SCREW				2
56	RE070000K0	E-RING 7				2
57	22687503	SPRING				2
58	40032327	ASSY_REPOSITIONING_ARM				1
59	40028556	REPOSITIONING_ARM				1
60	SM6051202TP	SCREW M5X0.8 L=12				1
61	SD0640752TP	SHOULDER SCREW D=6.35 H=7.5				1
62	40028641	ADJUSTING_SPRING				1
63	22615702	OIL ADJUSTING BALL				1
64	SM8061212TP	SCREW M6X12				1
65	NM6060001CP	NUT M6X1 TYPE1				1
66	40138477	REPOSITIONING LEVER SHAFT				1
67	40131660	ASSY_REPOSITIONING_LEVER				1
68	SM6050450TP	SCREW M5 L=4				1
69	SM8040412TP	SCREW M4X4				2
70	40131662	RELEASE_LEVER_PLATE_BASE	EXCEPT AK,BT,DL			1
71	SM4041401SC	SCREW M4X0.7 L=14	EXCEPT AK,BT,DL			2
72	40131663	RELEASE_LEVER_PLATE				1
73	SD0800327TP	SHOULDER SCREW D=8 H=3.2				2
74	40131665	SPRING				1
75	40131664	RELEASE_LEVER				1
76	40131666	RELEASE_LEVER_COVER				1
77	SM6040870SP	SCREW				2
78	CM300400901	LABEL	FOR CHINA			1
79	CM300400902	LABEL	EXCEPT CHINA			1
80	SM4051001SN	SCREW M5				3
81	40138933	RELEASE LEVER PLATE B	WITH AK,BT,DL			1
82	SM6041150TP	SCREW	WITH AK,BT,DL			2
83	40138934	SWICH COVER	WITH AK,BT,DL			1
84	SM4040501SN	SCREW M4X0.7 L=5	WITH AK,BT,DL			2
85	WP0460326SF	WASHER 4.6X7.8X0.3				2
86	22912257	FEED REVERSE ARM ASM.				1
87	22954309	REVERSE FEED SWITCH SPRING				1
88	40126265	DISK_RELEASE_LINK_ASM.				1
89	40125873	DISK_RELEASE_LINK_BASE				1
90	SM4050855SP	SCREW				1
91	SS8661012TP	SCREW				1

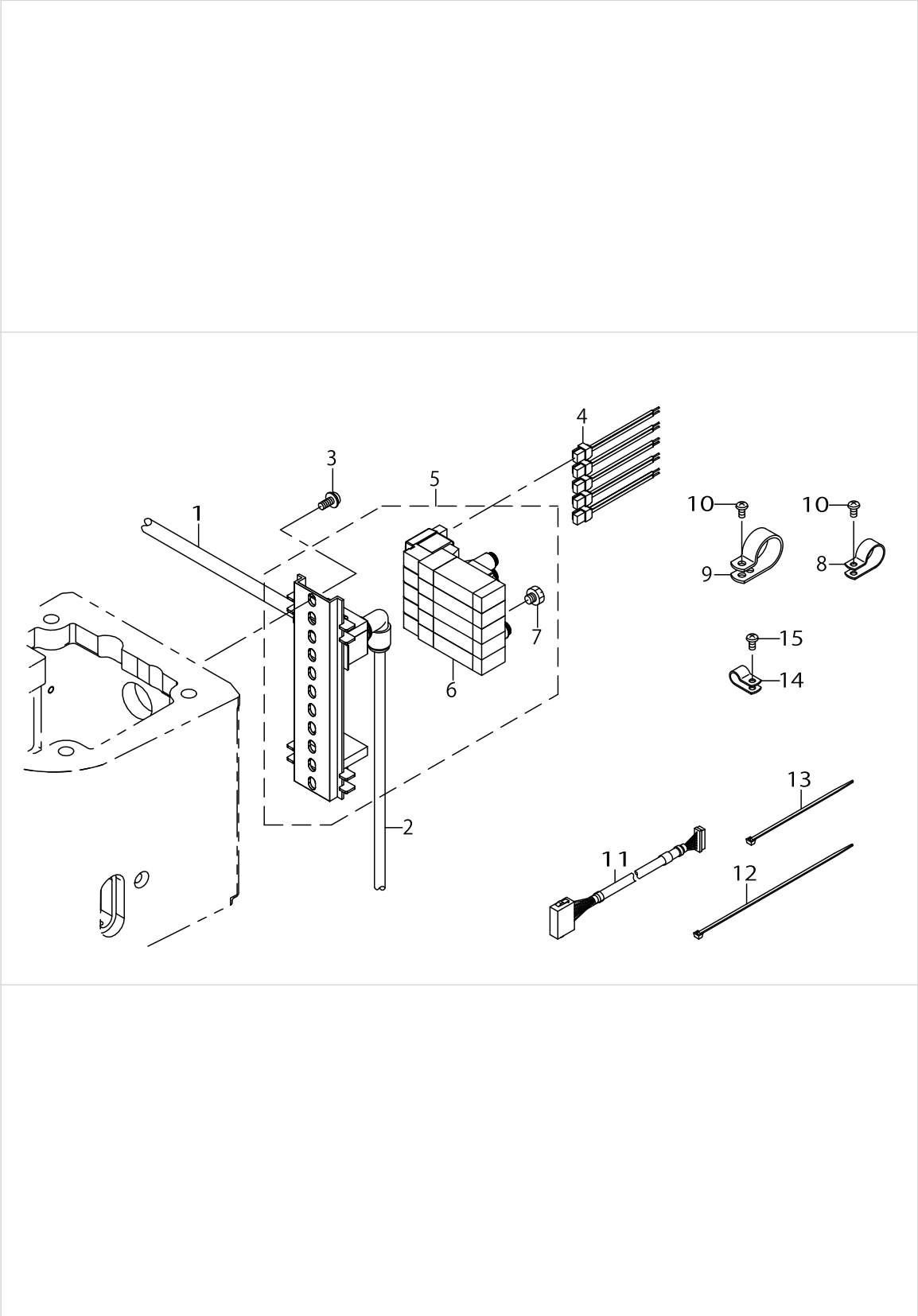
TENSION RELEASE COMPONENTS(FOR PLC-2710-7,2760-7)



TENSION RELEASE COMPONENTS(FOR PLC-2710-7,2760-7)

No.	Parts No.	Parts name	Remarks	Level	Cons	Qty
1	23542418	CLUTCH LINK PIN				2
2	40125948	RELEASE_SOLENOID_LINK				2
3	40126263	SOLENOID_LINK_MOUNTING_PLATE				1
4	40125949	RELEASE_SOLENOID_BASE				1
5	SS4090515SP	SCREW 9/64-40 L=5				2
6	32055501	AT (UPPER) SPRING				2
7	NM6030001SC	NUT M3X0.5 TYPE1				4
8	SD0550271TP	HINGE SCREW D=5.50 H=2.7				2
9	SM6030602TP	SCREW M3X0.5 L=6				8
10	WP0320501SE	WASHER 3.2X7.0X0.5				8
11	40130291	TENSION_RELEASE_SOLENOID				2
12	SM4051255SP	SCREW M5 L=12				4
13	40126563	STOPPER_PLATE				2
14	40126562	RUBBER HOLDER				2
15	40086679	WIPER_STOPPER_RUBBER				4
16	EA9500B0100	CABLE BAND				1

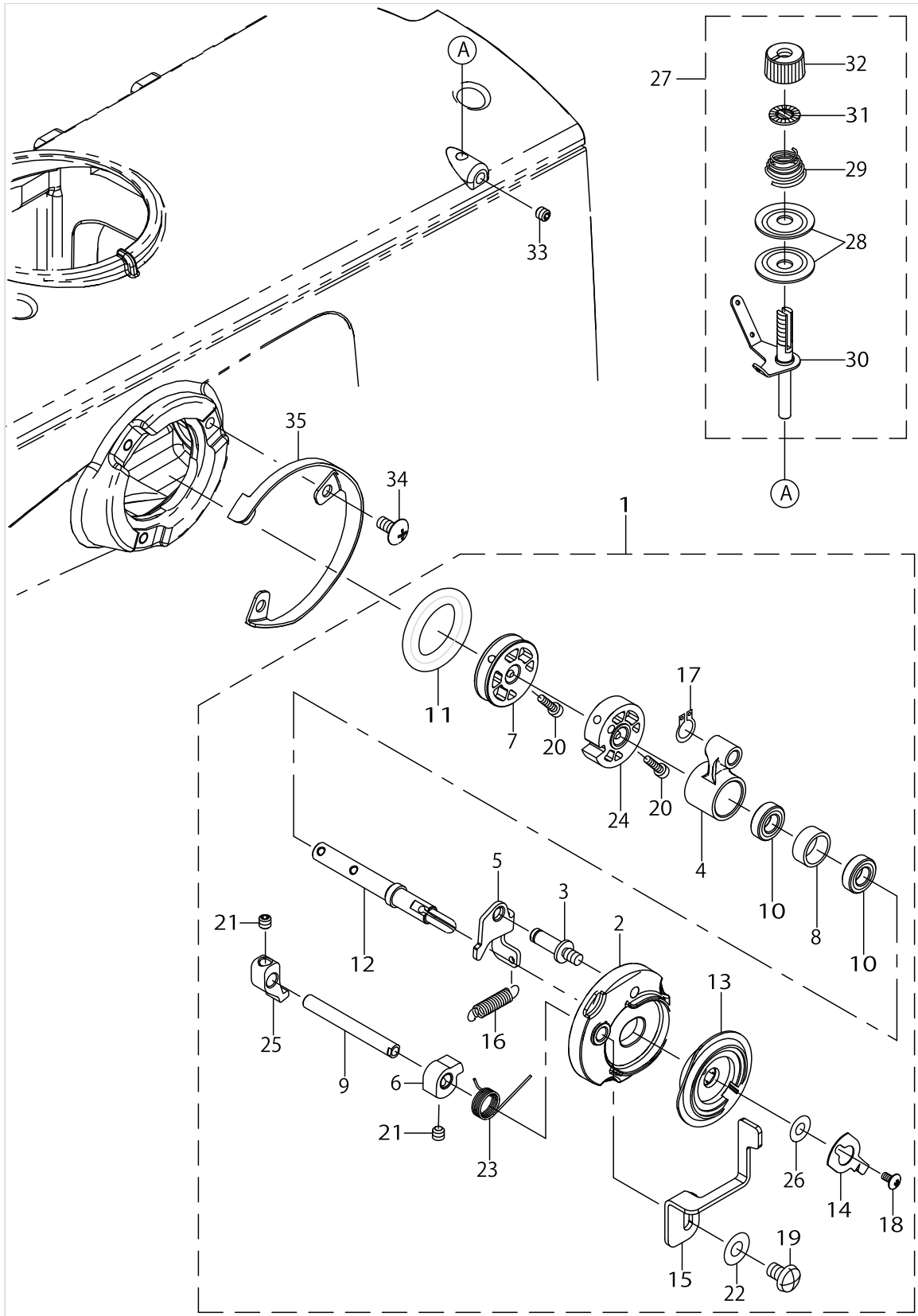
PNEUMATIC COMPONENTS(FOR PLC-2710-7,2760-7)



PNEUMATIC COMPONENTS(FOR PLC-2710-7,2760-7)

No.	Parts No.	Parts name	Remarks	Level	Cons	Qty
1	BT0600401EB	TUBE				1.1
2	BT0800501EB	VINYL TUBE				1.1
3	SL4041091SC	SCREW M4 L=10				2
4	40130284	SOLENOID VALVE CABLE ASM.				1
5	40130283	SOLENOID_VALVE_ASM.				1
6	PV150209100	SOLENOID VALVE		*		5
7	PJ020500002	PLUG		*		4
8	HX00150000H	CABLE CLIP				1
9	HX00150000M	CABLE CLIP				1
10	SM4040855SP	SCREW				2
11	40126127	AIR VALVE RELAY CABLE ASM.				1
12	EA9500B0200	CABLE BAND 150				3
13	EA9500B0100	CABLE BAND				2
14	HX00150000C	CABLE CLIP				1
15	SM4040855SP	SCREW				1

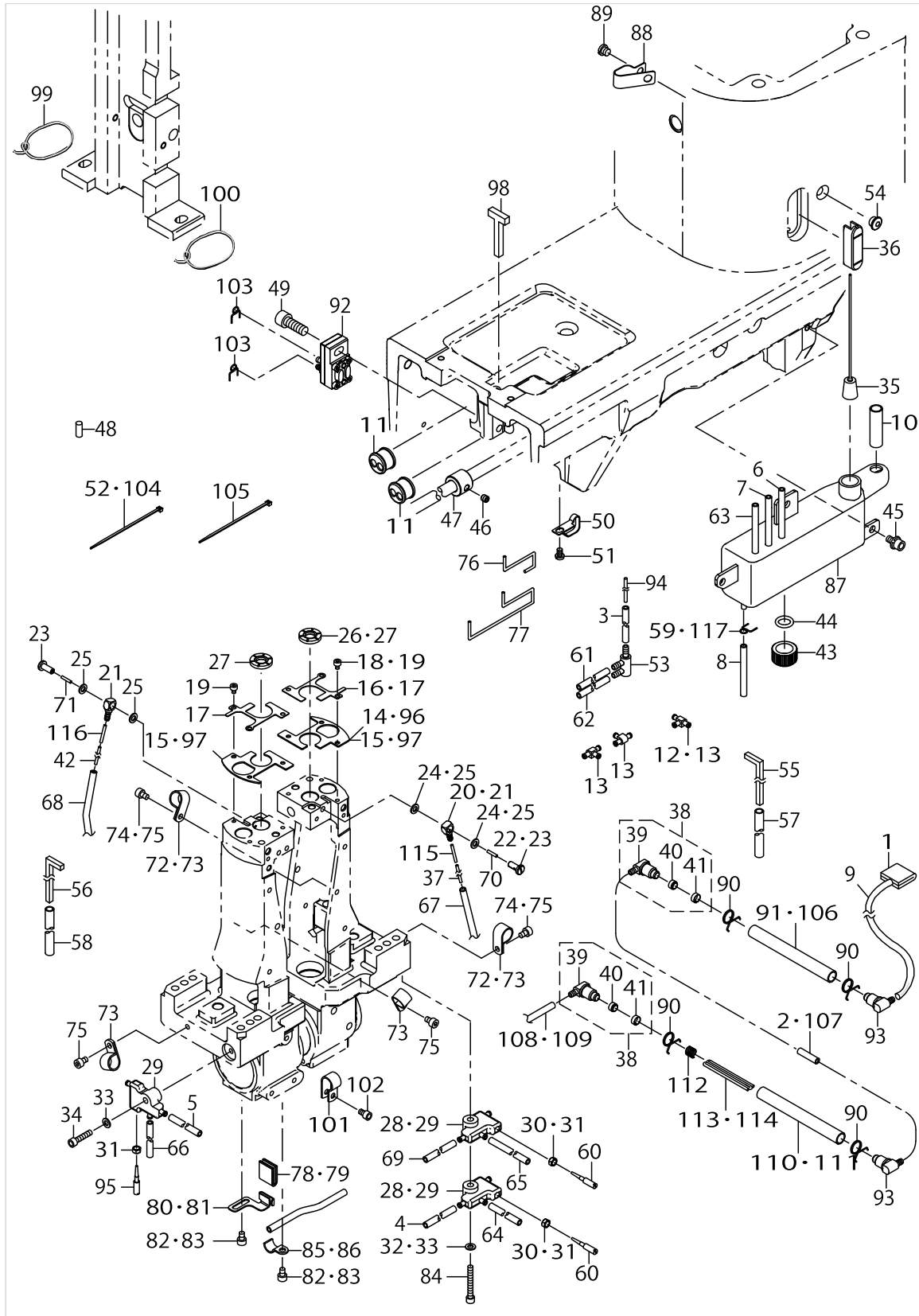
BOBBIN WINDER COMPONENTS



BOBBIN WINDER COMPONENTS

No.	Parts No.	Parts name	Remarks	Level	Cons	Qty
1	40126355	BOBBIN_WINDER_UNIT				1
2	26260109	BTW_BASE		*		1
3	26260307	BTW_BASE_SHAFT		*		1
4	26260406	BTW_SHAFT_BASE		*		1
5	40126594	BTW_CAM_PLATE		*		1
6	26260505	BTW_CAM_LEVER		*		1
7	40125851	WINDER_WHEEL		*		1
8	26260802	BTW_BEARING_SPACER		*		1
9	26261008	BTW_LEVER_SHAFT		*		1
10	40126354	WINDER_BEARING		*		1
11	26261503	BTW_WHEEL_RUBBER		*	☆	1
12	40126550	BOBBIN_SHAFT		*		1
13	40125927	BOBBIN_BASE		*		1
14	40126311	WINDER_CUTTER		*		1
15	40151791	BOBBIN_LEVER		*		1
16	13718507	SPRING		*		1
17	RC0560711KP	RETAINING RING		*		1
18	SM0030601SC	SCREW M3X0.5 L=6		*		1
19	SM5040655SN	SCREW		*		1
20	SM6031202TP	SCREW M3X0.5 L=12		*		1
21	SM8050502TP	SCREW M5 L=5		*		2
22	WP0450826SC	WASHER 4.5X10X0.8		*		1
23	40126549	HELICAL_TORSION_COIL_SPRING		*		1
24	40125928	WINDER_LATCH_CAM		*		1
25	40125844	WINDER_LATCH_B		*		1
26	WP0320501SC	WASHER M3		*		1
27	40088958	BOBBIN_THREAD_TENSION_ASM.				1
28	22921506	THREAD_TENSION_DISK		*		1
29	22921704	THREAD_TENSION_SPRING_A		*	☆	1
30	40088959	BOBBIN_THREAD_TENSION_ROD_ASM.		*		1
31	22921407	ROTATION_STOPPER		*		1
32	22921308	THREAD_TENSION_NUT		*		1
33	SM8051002TP	SCREW M5 L=10				1
34	SM0051001SC	SCREW				3
35	40152022	BTW_GUARD				1

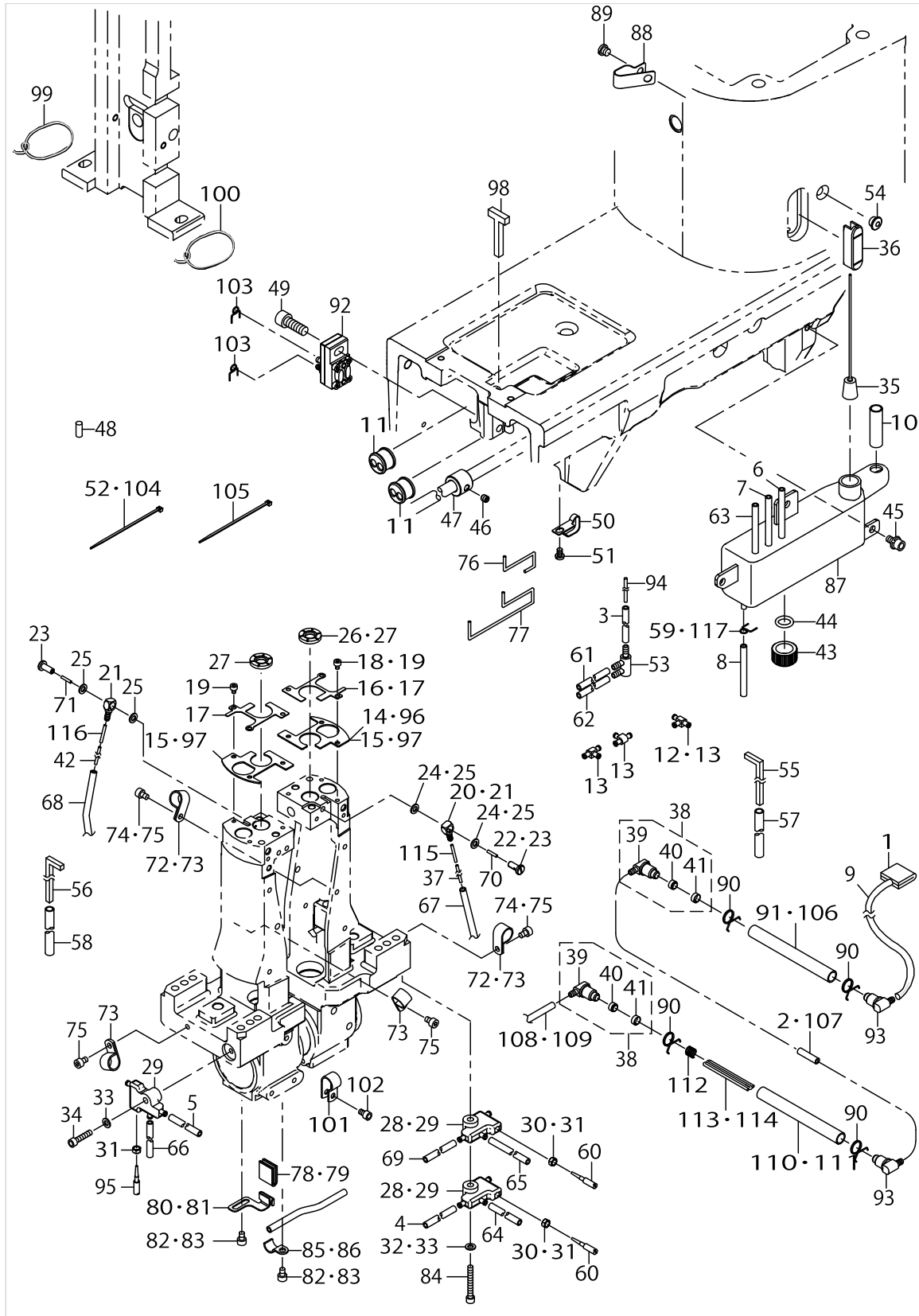
LUBRICATION COMPONENTS



LUBRICATION COMPONENTS

No.	Parts No.	Parts name	Remarks	Level	Cons	Qty
1	40112320	FELT				1
2	23630007	TUBE				0.04
3	23630007	TUBE				0.04
4	23630007	TUBE				0.025
5	23630007	TUBE				0.2
6	23630007	TUBE				1.15
7	23630007	TUBE				0.35
8	23630007	TUBE				0.02
9	23630007	TUBE				0.36
10	23630106	TUBE B				0.32
11	22935308	MAGNET CORD RUBBER				2
12	13765607	OIL CONNEC. ARM	FOR PLC-2710,2710-7			1
13	13765607	OIL CONNEC. ARM	FOR PLC-2760,2760-7, 2760L,2765			3
14	40130038	FELT	FOR PLC-2710-7			1
15	40130038	FELT	FOR PLC-2760-7			2
16	40130039	FELT HOLDER	FOR PLC-2710,2710-7			1
17	40130039	FELT HOLDER	FOR PLC-2760,2760-7, 2760L,2765			2
18	SM6030402TP	SCREW M3X0.5 L=4	FOR PLC-2710,2710-7			3
19	SM6030402TP	SCREW M3X0.5 L=4	FOR PLC-2760,2760-7, 2760L,2765			6
20	SQ0000401MZ	CONNECTING SCREW	FOR PLC-2710,2710-7			1
21	SQ0000401MZ	CONNECTING SCREW	FOR PLC-2760,2760-7, 2760L,2765			2
22	B3525357000	CONNECTING SCREW (B)	FOR PLC-2710,2710-7			1
23	B3525357000	CONNECTING SCREW (B)	FOR PLC-2760,2760-7, 2760L,2765			2
24	B3534012000	GASKET	FOR PLC-2710,2710-7			2
25	B3534012000	GASKET	FOR PLC-2760,2760-7, 2760L,2765			4
26	40130037	GROOVE_WASHER	FOR PLC-2710,2710-7			1
27	40130037	GROOVE_WASHER	FOR PLC-2760,2760-7, 2760L,2765			2
28	40032804	BASE	FOR PLC-2710,2710-7			2
29	40032804	BASE	FOR PLC-2760,2760-7, 2760L,2765			3
30	NS6110310SP	HEXAGONAL NUT 11/64-40	FOR PLC-2710,2710-7			2
31	NS6110310SP	HEXAGONAL NUT 11/64-40	FOR PLC-2760,2760-7, 2760L,2765			3
32	WP0430800SD	WASHER M4	FOR PLC-2710,2710-7			1
33	WP0430800SD	WASHER M4	FOR PLC-2760,2760-7, 2760L,2765			2
34	SM6041802TP	SCREW M4 L=18	FOR PLC-2760,2760-7, 2760L,2765			1
35	23628357	FLOATER ASM.				1
36	40036167	OIL_GAGE				1
37	CQ200000000	OIL WICK				0.27
38	23630650	OIL FILTER JOINT ASM.				2
39	23630601	OIL FILTER JOINT		*		1
40	23630403	OIL FILTER		*		1
41	23630502	OIL FILTER STOPPER		*		1
42	CQ200000000	OIL WICK	FOR PLC-2760,2760-7, 2760L,2765			0.27
43	40013595	OIL_EXIT_CAP				1
44	RO098240100	O-RING				1
45	SL6051092TN	SCREW M5 L=10				3
46	SM8050512TP	SCREW				1
47	40101721	ECCENTRIC_CAM				1

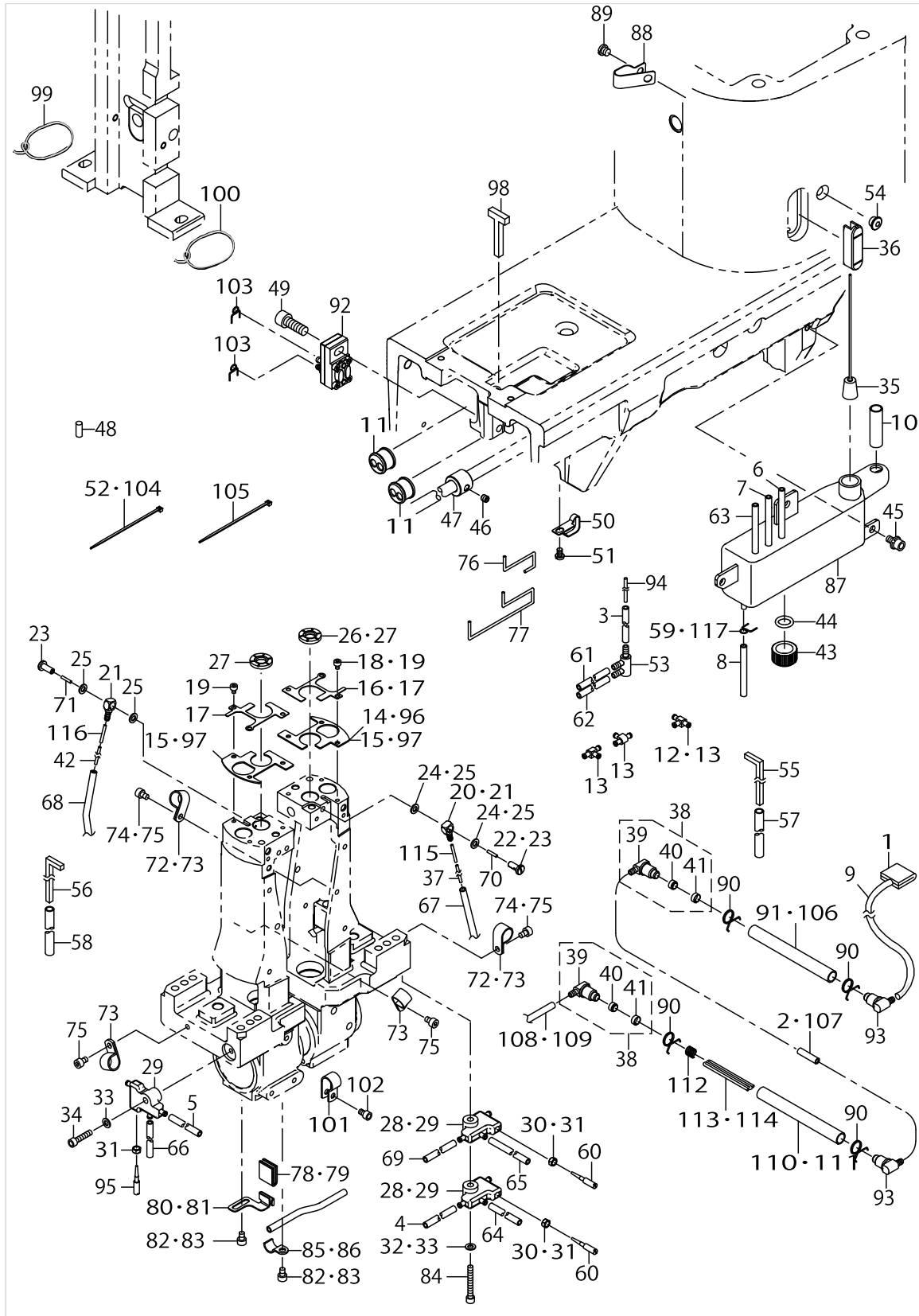
LUBRICATION COMPONENTS



LUBRICATION COMPONENTS

No.	Parts No.	Parts name	Remarks	Level	Cons	Qty
48	23540305	CAP	FOR PLC-2710,2710-7			1
49	SM6061802TP	SCREW M6 L=18				1
50	40022407	CORD HOLDER				1
51	SM4040655SP	SCREW M4 L=6				1
52	EA9500B0100	CABLE BAND	FOR PLC-2710,2710-7			4
53	23629504	DISTRIBUTOR				1
54	40126582	RUBBER_PLUG				1
55	10773000	FELT	FOR PLC-2710,2710-7			1
56	10773000	FELT	FOR PLC-2760,2760-7, 2760L,2765			2
57	BP500000000	VINYL PIPE				0.2
58	BP500000000	VINYL PIPE	FOR PLC-2760,2760-7, 2760L,2765			0.2
59	13142609	OIL TUBE HOLDER	FOR PLC-2710,2710-7			7
60	B1834512000A	OIL ADJUSTING SCREW				2
61	23630007	TUBE				0.12
62	23630007	TUBE				0.14
63	23630007	TUBE				0.35
64	23630007	TUBE	FOR PLC-2760,2760-7, 2760L,2765			0.08
65	23630007	TUBE	FOR PLC-2760,2760-7, 2760L,2765			0.09
66	23630007	TUBE	FOR PLC-2760,2760-7, 2760L,2765			0.25
67	23630007	TUBE				0.3
68	23630007	TUBE	FOR PLC-2760,2760-7, 2760L,2765			0.3
69	23630007	TUBE	FOR PLC-2760,2760-7, 2760L,2765			0.26
70	CQ202000000	COTTON OIL WICK D=2				0.08
71	CQ202000000	COTTON OIL WICK D=2	FOR PLC-2760,2760-7, 2760L,2765			0.012
72	HX00150000D	CABLE CLAMP	FOR PLC-2710,2710-7			2
73	HX00150000D	CABLE CLAMP	FOR PLC-2760,2760-7, 2760L,2765			4
74	SM6040602TP	SCREW M4X0.7 L=6	FOR PLC-2710,2710-7			2
75	SM6040602TP	SCREW M4X0.7 L=6	FOR PLC-2760,2760-7, 2760L,2765			4
76	CQ202000000	COTTON OIL WICK D=2	FOR PLC-2710,2710-7			0.08
77	CQ202000000	COTTON OIL WICK D=2	FOR PLC-2760,2760-7, 2760L,2765			0.48
78	40133762	VILENE	FOR PLC-2710,2710-7			1
79	40133762	VILENE	FOR PLC-2760,2760-7, 2760L,2765			2
80	40133595	VILENE_HOLDER	FOR PLC-2710,2710-7			1
81	40133595	VILENE_HOLDER	FOR PLC-2760,2760-7, 2760L,2765			2
82	SM6040602TP	SCREW M4X0.7 L=6	FOR PLC-2710,2710-7			3
83	SM6040602TP	SCREW M4X0.7 L=6	FOR PLC-2760,2760-7, 2760L,2765			6
84	SM6043002TN	SCREW				1
85	D2611555B00	CABLE HOLDER	FOR PLC-2710,2710-7			1
86	D2611555B00	CABLE HOLDER	FOR PLC-2760,2760-7, 2760L,2765			2
87	40133922	OIL_TANK				1
88	D2112555B00	CORD HOLDER				1
89	SM6060550TP	SCREW M6 L=4.5				1
90	23629405	PIPE STOPPER B				8
91	23630106	TUBE B				0.03
92	40101719	PUMP_BASE_ASSY				1
93	23630601	OIL FILTER JOINT				6
94	CQ252000000	OIL WICK				0.025

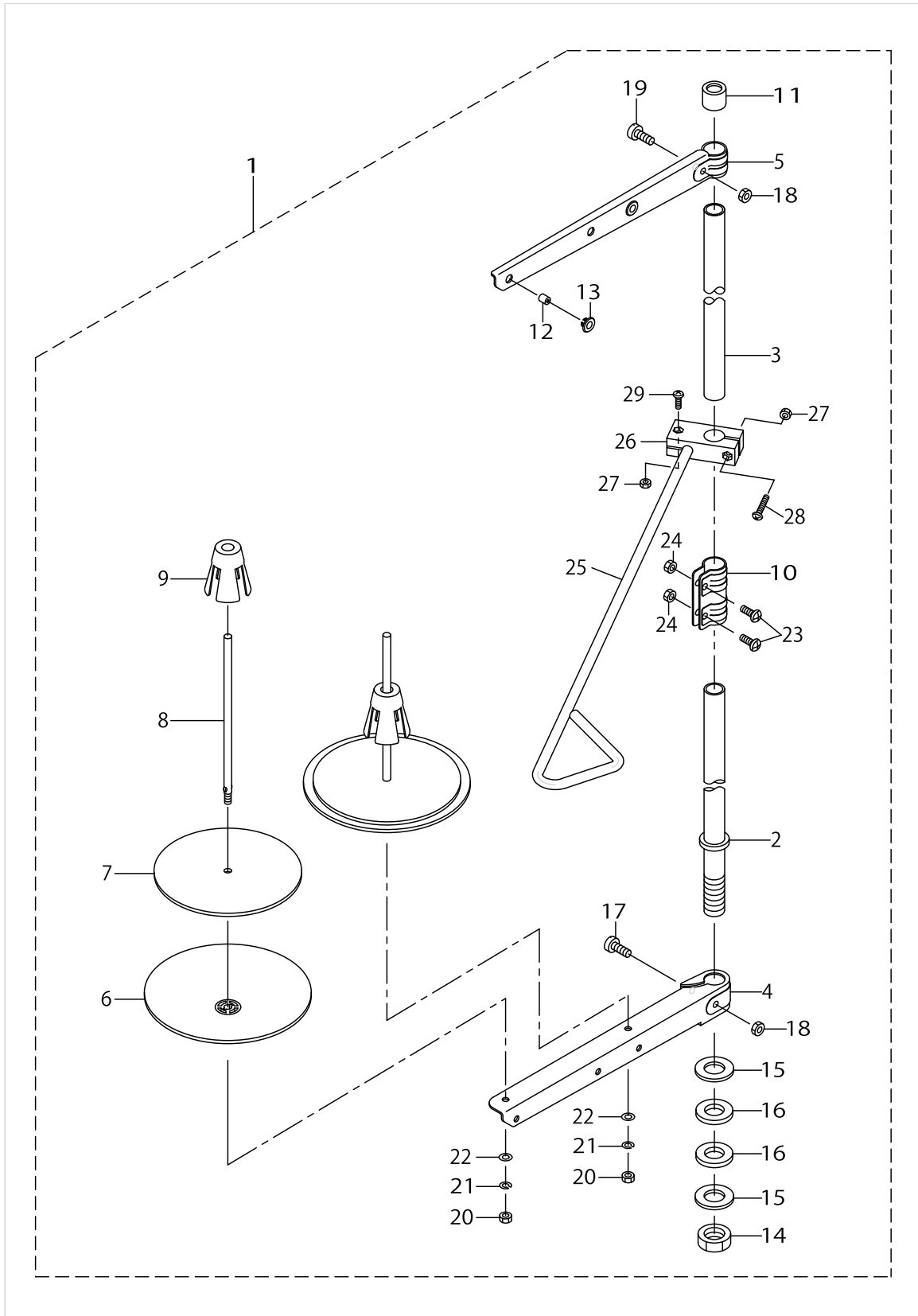
LUBRICATION COMPONENTS



LUBRICATION COMPONENTS

No.	Parts No.	Parts name	Remarks	Level	Cons	Qty
95	B1834512000A	OIL ADJUSTING SCREW	FOR PLC-2760,2760-7, 2760L,2765			1
96	40137885	FELT	FOR PLC-2710			1
97	40137885	FELT	FOR PLC-2760,2760L,2765			2
98	40137517	FELT				1
99	CQ200000000	OIL WICK				0.1
100	CQ200000000	OIL WICK				0.1
101	HX00150000D	CABLE CLIP	FOR PLC-2760,2760L,2765			1
102	SM6040602TP	SCREW M4 L=6	FOR PLC-2760,2760L,2765			1
103	23629306	PIPE STOPPER A				2
104	EA9500B0100	CABLE BAND	FOR PLC-2760,2760-7, 2760L,2765			5
105	EA9500B0200	CABLE BAND 150				3
106	23630106	TUBE B				0.03
107	23630007	TUBE				0.05
108	23630007	TUBE				0.1
109	23630007	TUBE				0.1
110	23630106	TUBE B				0.09
111	23630106	TUBE B				0.09
112	12210803	SPRING				2
113	CQ300000000	OIL WICK				0.26
114	CQ300000000	OIL WICK				0.26
115	12316907	OIL WICK (VERTICAL C)				1
116	12316907	OIL WICK (VERTICAL C)	FOR PLC-2760,2760-7, 2760L,2765			1
117	13142609	OIL TUBE HOLDER	FOR PLC-2760,2760-7, 2760L,2765			10

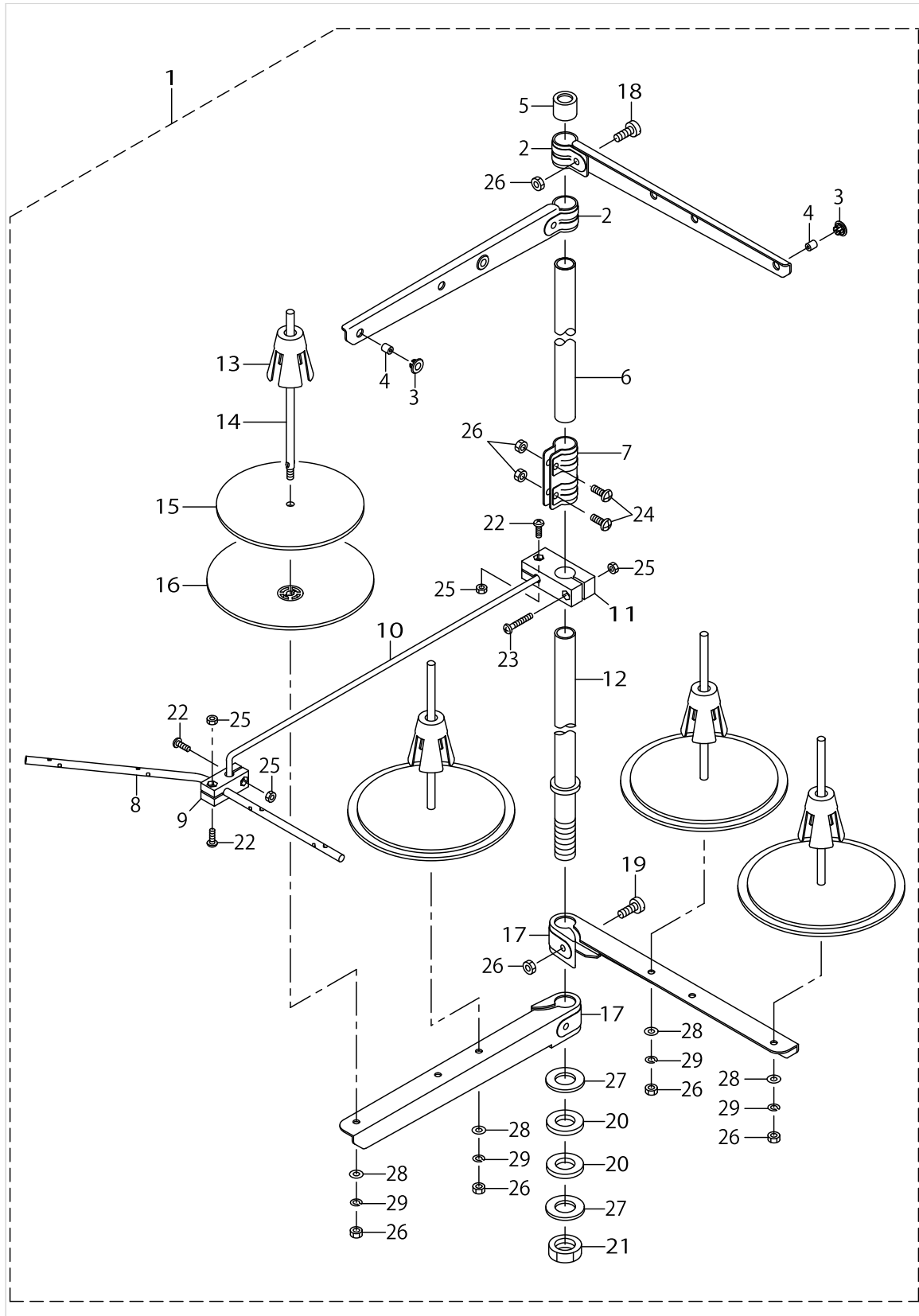
THREAD STAND COMPONENTS(FOR PLC-2710,2710-7)



THREAD STAND COMPONENTS(FOR PLC-2710,2710-7)

No.	Parts No.	Parts name	Remarks	Level	Cons	Qty
1	40111351	THREAD STAND ASM.				1
2	40085784	SPOOL REST ROD LOWER		*		1
3	40085785	SPOOL REST ROD UPPER		*		1
4	40085786	SPOOL REST ARM LOWER		*		1
5	40085787	SPOOL REST ARM UPPER		*		1
6	40085788	SPOOL REST		*		2
7	40085789	SPOOL REST CUSHION		*		2
8	40085790	SPOOL PIN		*		2
9	40085791	SPOOL RETAINER		*		2
10	40085792	SPOOL REST ROD JOINT		*		1
11	40085793	SPOOL REST ROD RUBBER CAP		*		1
12	40085794	THREAD GUIDE		*		2
13	40085795	THREAD GUIDE BUSHING		*		2
14	40096325	SPOOL REST ROD NUT		*		1
15	WP1612616SE	WASHER 16X30X2.6		*		2
16	40085796	SPOOL REST ROD RUBBER CUSHION		*		2
17	40096326	SPOOL REST ARM LOWER SCREW		*		1
18	NM6050001SE	NUT M5		*		2
19	40096327	SPOOL REST ARM UPPER SCREW		*		1
20	NM6050001SE	NUT M5		*		2
21	WS0510002KN	SPRING WASHER M5		*		2
22	WP0531001SC	WASHER M5		*		2
23	SM4051405SE	SCREW M5 L=14		*		2
24	NM6050001SE	NUT M5		*		2
25	40111350	SPOOL REST THREAD GUIDE B		*		1
26	40106579	THREAD GUIDE ARM BASE		*		1
27	NM6040002SC	NUT M4		*		2
28	SM4042501SC	SCREW M4X0.7 L=25		*		1
29	SM4041201SC	SCREW M4 L=12		*		1

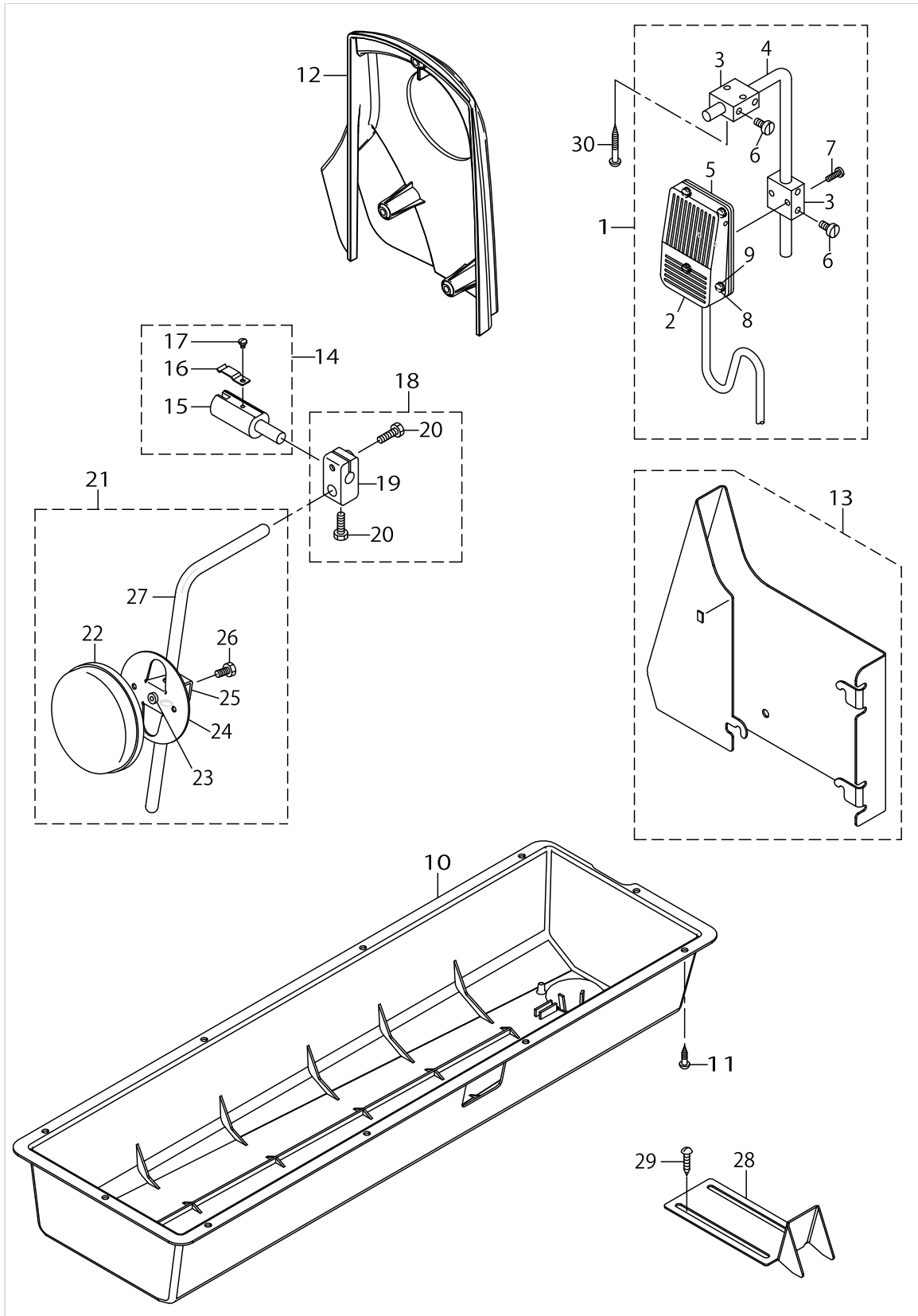
THREAD STAND COMPONENTS(FOR PLC-2760,2760-7,2760L,2765)



THREAD STAND COMPONENTS(FOR PLC-2760,2760-7,2760L,2765)

No.	Parts No.	Parts name	Remarks	Level	Cons	Qty
1	40106584	THREAD STAND PACKING				1
2	40085787	SPOOL REST ARM UPPER		*		2
3	40085795	THREAD GUIDE BUSHING		*		4
4	40085794	THREAD GUIDE		*		4
5	40085793	SPOOL REST ROD RUBBER CAP		*		1
6	40085785	SPOOL REST ROD UPPER		*		1
7	40085792	SPOOL REST ROD JOINT		*		1
8	40106582	THREAD GUIDE 4		*		1
9	40106580	THREAD GUIDE UNDER BASE		*		1
10	40106576	THREAD GUIDE ARM		*		1
11	40106579	THREAD GUIDE ARM BASE		*		1
12	40085784	SPOOL REST ROD LOWER		*		1
13	40085791	SPOOL RETAINER		*		4
14	40085790	SPOOL PIN		*		4
15	40085789	SPOOL REST CUSHION		*		4
16	40085788	SPOOL REST		*		4
17	40085786	SPOOL REST ARM LOWER		*		2
18	40096327	SPOOL REST ARM UPPER SCREW		*		2
19	40096326	SPOOL REST ARM LOWER SCREW		*		2
20	40085796	SPOOL REST ROD RUBBER CUSHION		*		2
21	40096325	SPOOL REST ROD NUT		*		1
22	SM4041201SC	SCREW M4 L=12		*		3
23	SM4042501SC	SCREW M4X0.7 L=25		*		1
24	SM4051405SE	SCREW M5 L=14		*		2
25	NM6040002SC	NUT M4		*		4
26	NM6050001SE	NUT M5		*		10
27	WP1612616SE	WASHER 16X30X2.6		*		2
28	WP0531001SC	WASHER M5		*		4
29	WS0510002KN	SPRING WASHER M5		*		4

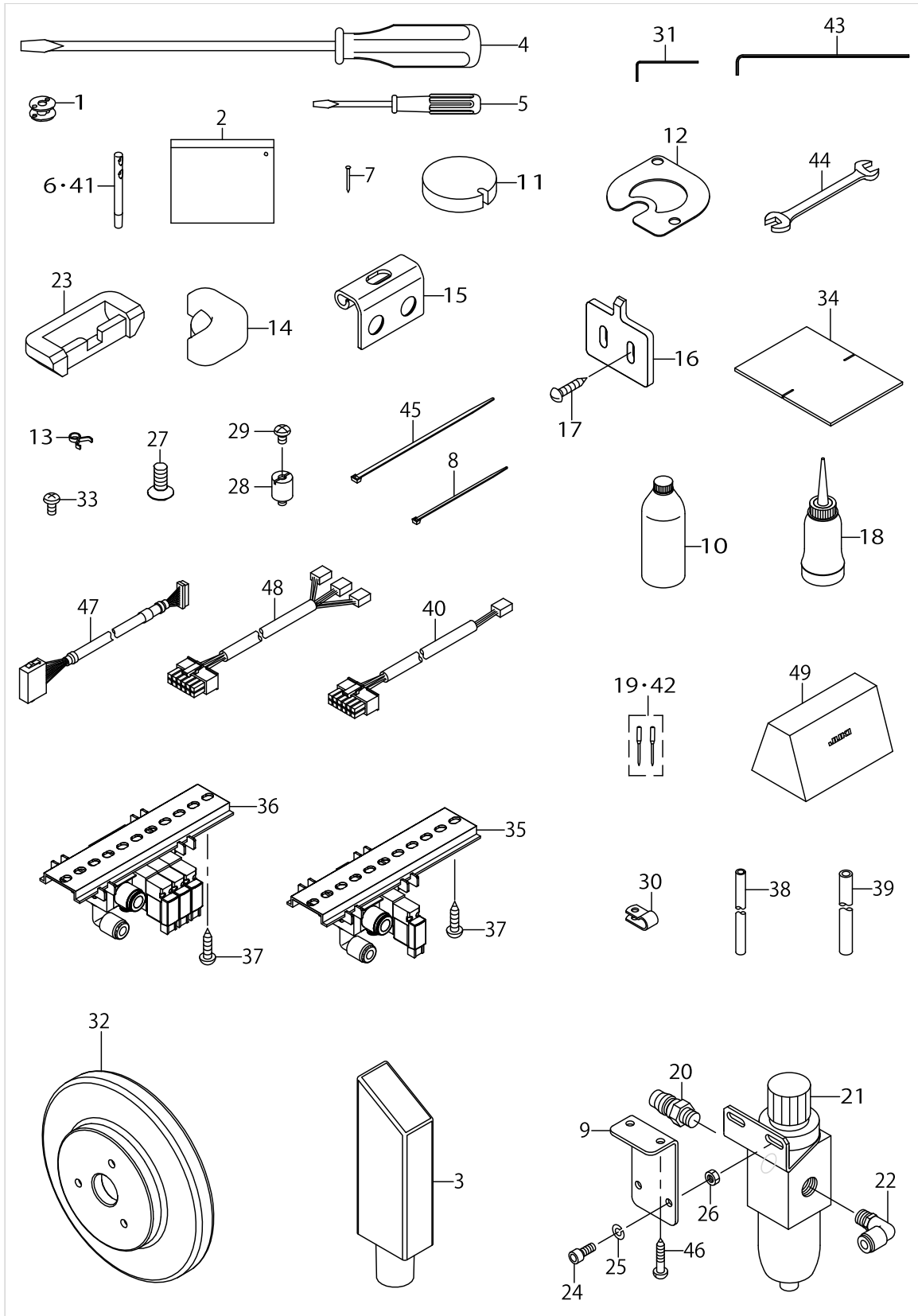
ACCESSORIES PARTS COMPONENTS (1)



ACCESSORIES PARTS COMPONENTS (1)

No.	Parts No.	Parts name	Remarks	Level	Cons	Qty
1	40025036	KNEE SWITCH ASM.	FOR PLC-2710-7,2760-7			1
2	40025035	KNEE SWITCH ASM.		*		1
3	MAT80230T00	KNEE SWITCH SUPPORT BASE		*		2
4	MAT80231T00	DRIVING BAR T002		*		1
5	MAT80232T00	KNEE SWITCH SUPPORT PLATE		*		1
6	SS6151220SP	SCREW 15/64-28 L=11.5		*		4
7	SS7111410SP	SCREW 11/64-40 L=14		*		2
8	SS7110710SL	SCREW 11/64-40 L=7.0		*		4
9	WP0480856SP	WASHER 4.8X8.4X0.8		*		4
10	40126155	OIL_PAN				1
11	SK3482001SE	WOOD SCREW D=4.8 L=20				10
12	40139001	BELT COVER ASM.	FOR PLC-2710,2760, 2760L,2765			1
13	40135153	POST COVER ASM.	FOR PLC-2710,2760, 2760L,2765			1
14	22863252	KNEE LIFTER JOINT ASM.	FOR PLC-2710,2760, 2760L,2765			1
15	22863203	KNEE LIFTER JOINT		*		1
16	B3428521000	PRESSER SPRING		*		1
17	SS7090510SP	SCREW 9/64-40 L=4.6		*		1
18	22932453	BRACKET ASM.	FOR PLC-2710,2760, 2760L,2765			1
19	22932404	BRACKET		*		1
20	22934707	SCREW		*		2
21	21343157	KNEE PRESS PLATE ASM.	FOR PLC-2710,2760, 2760L,2765			1
22	22934509	KNEE PAD PLATE COVER		*		1
23	22934400	KNEE PAD PLATE RUBBER		*		1
24	22934202	KNEE PAD PLATE		*		1
25	22934301	KNEE PAD PLATE SUPPORT		*		1
26	SM9061203SE	SCREW M6 L=12		*		1
27	21343108	KNEE PRESS LEVER		*		1
28	40130909	POST_COVER_B	FOR PLC-2710,2760, 2760L,2765			1
29	SK3482500SC	WOOD SCREW D=4.8 L=25	FOR PLC-2710,2760, 2760L,2765			2
30	SK3514000SC	WOOD SCREW D=5.1 L=40	FOR PLC-2710-7,2760-7			2

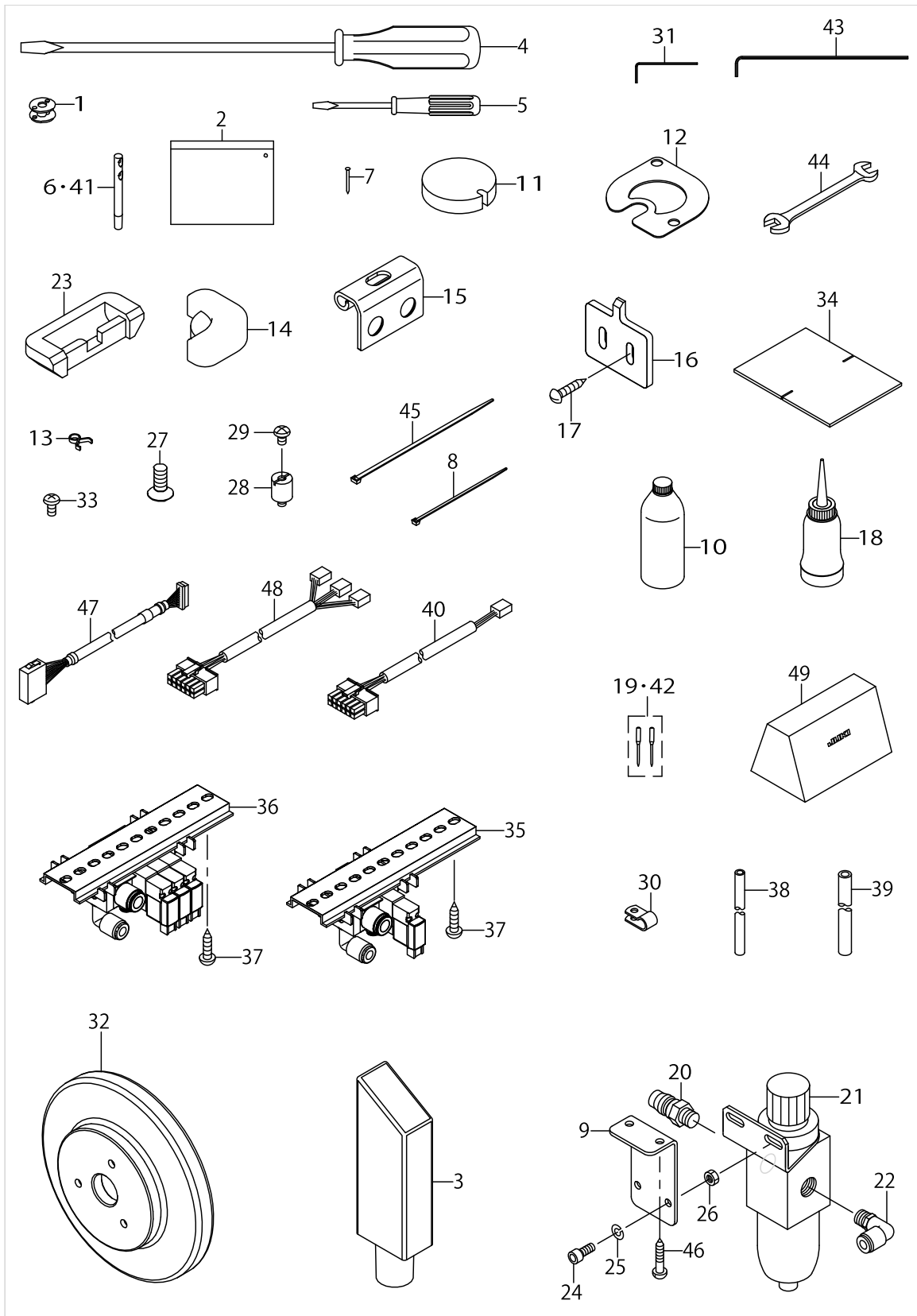
ACCESSORIES PARTS COMPONENTS (2)



ACCESSORIES PARTS COMPONENTS (2)

No.	Parts No.	Parts name	Remarks	Level	Cons	Qty
1	21334800	ALUMINUM BOBBIN WITH KNURL			☆	1
2	22932800	ACCESSORIE BAG				1
3	40133301	FRAME_SUPPORT_BAR				1
4	22933105	SCREW DRIVER MIDDLE				1
5	22933204	SCREW DRIVER SMALL				1
6	22958300	NEEDLE THREAD GUIDE PIN	FOR PLC-2710,2710-7			1
7	10539906	SET NAIL				12
8	EA9500B0100	CABLE BAND	FOR PLC-2710(WITH AK), 2710(WITH AK,BT,DL), 2760(WITH AK),2760L(WITH AK) 2765(WITH AK),2760(WITH AK,BT,DL) 2760L(WITH AK,BT,DL) 2765(WITH AK,BT,DL)			2
9	13860408	REGULATOR BRACKET	FOR PLC-2710-7,2760-7, 2710(WITH AK), 2760(WITH AK,BT,DL), 2760L(WITH AK,BT,DL), 2765(WITH AK,BT,DL)			1
10	MDFRX1600C0	DEFRIX OIL NO.1(600CC)				1
11	40126405	OIL_FILTER				1
12	40126267	FELT HOLDER				1
13	23629306	PIPE STOPPER A				2
14	40126152	CUSHION_RUBBER				2
15	40131015	HINGE				2
16	40131014	HINGE_STOPPER				2
17	SK3482500SC	WOOD SCREW D=4.8 L=25				4
18	B91210120A0	OILER ASM.				1
19	M13517B1402	NEEDLE 135X17 #140-2			☆	1
20	PJ025100003	PLUG	FOR PLC-2710-7,2760-7, 2710(WITH AK), 2760(WITH AK,BT,DL), 2760L(WITH AK,BT,DL), 2765(WITH AK,BT,DL)			1
21	PF055107000	FILTER REGULATOR	FOR PLC-2710-7,2760-7, 2710(WITH AK), 2760(WITH AK,BT,DL), 2760L(WITH AK,BT,DL), 2765(WITH AK,BT,DL)			1
22	PJ304065101	ELBOW UNION 6XPT1/8	FOR PLC-2710-7,2760-7, 2710(WITH AK), 2760(WITH AK,BT,DL), 2760L(WITH AK,BT,DL), 2765(WITH AK,BT,DL)			1
23	22926000	RUBBER CUSHION				2
24	SM6051202TP	SCREW M5X0.8 L=12	FOR PLC-2710-7,2760-7, 2710(WITH AK), 2760(WITH AK,BT,DL), 2760L(WITH AK,BT,DL), 2765(WITH AK,BT,DL)			2
25	WS0510002KN	SPRING WASHER M5	FOR PLC-2710-7,2760-7, 2710(WITH AK), 2760(WITH AK,BT,DL), 2760L(WITH AK,BT,DL), 2765(WITH AK,BT,DL)			2
26	NM6050001SP	NUT M5	FOR PLC-2710-7,2760-7, 2710(WITH AK), 2760(WITH AK,BT,DL), 2760L(WITH AK,BT,DL), 2765(WITH AK,BT,DL)			2
27	B1516210D00	SCREW				4
28	40126222	CP_SPACER	FOR PLC-2710-7,2760-7			2
29	SM4050855SP	SCREW	FOR PLC-2710-7,2760-7			2
30	HX00150000B	CABLE CLIP	FOR PLC-2710-7,2760-7			1
31	40079298	WRENCH				1
32	40026457	HAND WHEEL B	FOR PLC-2710,2760			1
33	SM4051055SP	SCREW	FOR PLC-2710,2760			9
34	40133730	OIL FILTER				1
35	40133982	SOLENOID VALVE ASM.	FOR PLC-2710(WITH AK), 2760(WITH AK),2760L(WITH AK), 2765(WITH AK)			1
36	40133978	SOLENOID VALVE ASM.	FOR PLC-2710(WITH AK,BT,DL), 2760(WITH AK,BT,DL), 2760L(WITH AK,BT,DL) 2765(WITH AK,BT,DL)			1

ACCESSORIES PARTS COMPONENTS (2)



ACCESSORIES PARTS COMPONENTS (2)

No.	Parts No.	Parts name	Remarks	Level	Cons	Qty
37	SK3482001SE	WOOD SCREW D=4.8 L=20	FOR PLC-2710(WITH AK), 2710(WITH AK,BT,DL), 2760(WITH AK),2760L(WITH AK),2765(WITH AK),2760(-WITH AK,BT,DL) 2760L(WITH AK,BT,DL) 2765(WITH AK,BT,DL)			2
38	BT0600401EB	TUBE	FOR PLC-2710(WITH AK), 2710(WITH AK,BT,DL), 2760(WITH AK),2760L(WITH AK),2765(WITH AK),2760(-WITH AK,BT,DL) 2760L(WITH AK,BT,DL) 2765(WITH AK,BT,DL)			1.1
39	BT0800501EB	VINYL TUBE	FOR PLC-2710(WITH AK), 2710(WITH AK,BT,DL), 2760(WITH AK),2760L(WITH AK),2765(WITH AK),2760(-WITH AK,BT,DL) 2760L(WITH AK,BT,DL) 2765(WITH AK,BT,DL)			1.1
40	40133983	SOLENOID VALVE CABLE ASM.	FOR PLC-2710(WITH AK), 2760(WITH AK),2760L(WITH AK), 2765(WITH AK)			1
41	22958300	NEEDLE THREAD GUIDE PIN	FOR PLC-2760,2760-7,2760L, 2765			2
42	M13517B2002	NEEDLE 135X17 #200-2	FOR PLC-2760L		☆	1
43	10777407	WRENCH 2.5MM				1
44	B9113012000	WRENCH (9X10)				1
45	EA9500B0200	CABLE BAND 150	FOR PLC-2710(WITH AK), 2710(WITH AK,BT,DL), 2760(WITH AK),2760L(WITH AK),2765(WITH AK),2760(-WITH AK,BT,DL) 2760L(WITH AK,BT,DL) 2765(WITH AK,BT,DL)			3
46	SK3482001SE	WOOD SCREW D=4.8 L=20	FOR PLC-2710-7,2760-7, 2710(WITH AK), 2760(WITH AK,BT,DL), 2760L(WITH AK,BT,DL), 2765(WITH AK,BT,DL)			2
47	40133985	AIR VALVE RELAY CABLE ASM.	FOR PLC-2710(WITH AK), 2710(WITH AK,BT,DL), 2760(WITH AK),2760L(WITH AK),2765(WITH AK),2760(-WITH AK,BT,DL) 2760L(WITH AK,BT,DL) 2765(WITH AK,BT,DL)			1
48	40133979	SOLENOID VALVE CABLE ASM.	FOR PLC-2710(WITH AK,BT,DL), 2760(WITH AK,BT,DL), 2760L(WITH AK,BT,DL) 2765(WITH AK,BT,DL)			1
49	40027770	VINYL COVER				1

TABLE OF EXCHANGING GAUGE PARTS(FOR PLC-2710,2710-7)


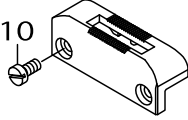
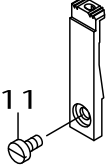

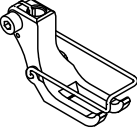
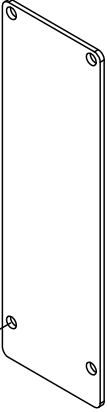
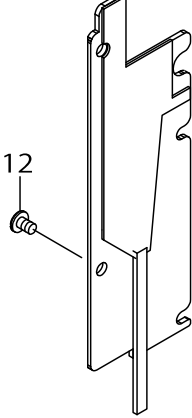
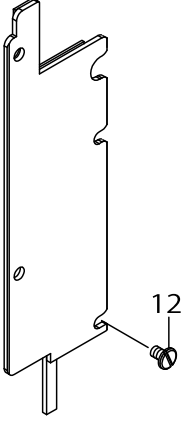
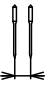
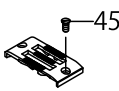

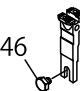
Needle bar threas guide 針棒糸掛け		Needle plate 針板			
		PLC-2710		PLC-2710-7	
					
Ref.No.	1	Ref.No.	2	Ref.No.	3
Part No.	B1418-141-H00	Part No.	401-30068	Part No.	401-30067
Feed dog 送り歯		Feed foot asm. 送り足 (組)		Presser foot asm. 押え足 (組)	
					
Ref.No.	4	Ref.No.	5	Ref.No.	6
Part No.	401-30061	Part No.	107-11653	Part No.	107-12552
Feed lever base cover 送りてこ台カバー		Feed lever base cover F asm. 側面カバーF (組)		Feed lever base cover A asm. 側面カバーA (組)	
					
Ref.No.	7	Ref.No.	8	Ref.No.	9
Part No.	401-29979	Part No.	401-34098	Part No.	401-34097

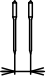
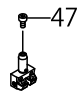


TABLE OF EXCHANGING GAUGE PARTS(FOR PLC-2710,2710-7)

No.	Parts No.	Parts name	Remarks	Level	Cons	Qty
1	B1418141H00	NEEDLE BAR THREAD GUIDE			☆	1
2	40130068	NEEDLE_PLATE	FOR PLC-2710		☆	1
3	40130067	NEEDLE_PLATE	FOR PLC-2710-7		☆	1
4	40130061	FEED_DOG			☆	1
5	10711653	FEED FOOT ASM.			☆	1
6	10712552	PRESSER FOOT ASM.			☆	1
7	40129979	FEED_LEVER_BASE_COVER				1
8	40134098	FEED LEVER BASE COVER F ASM.				1
9	40134097	FEED LEVER BASE COVER A ASM.				1
10	SM6040800SP	SCREW				2
11	SS6110480SP	SCREW 11/64-40 L=4.3				1
12	SM6040650TP	SCREW				4

TABLE OF EXCHANGING GAUGE PARTS(1)(FOR PLC-2760,2760-7,2760L,2765)

Needle gauge size 針幅		Throat plate 針板							
Code コード		PLC-2760		PLC-2760-7		PLC-2760L		PLC-2765	
									
		mm	Ref No.	Part No.	Ref No.	Part No.	Ref No.	Part No.	Ref No.
B	6	1	401-31017	5	401-30927		-		-
C	8	2	401-31016	6	401-30908	42	401-53188	10	401-31016
D	10	3	401-30065	7	401-30064	9	401-30066	11	401-30065
E	12	4	401-31018	8	401-30928		-		-
B	6	34	401-44890	38	401-44901				
C	8	35	401-44893	39	401-44903				
D	10	36	401-44896	40	401-44905				
E	12	37	401-44899	41	401-44907				

Needle gauge size 針幅		Feed dog 送り歯					
Code コード		PLC-2760・2760-7		PLC-2760L		PLC-2765	
							
		mm	Ref No.	Part No.	Ref No.	Part No.	Ref No.
B	6	12	401-30925		-		-
C	8	13	401-30907	43	401-53187	17	401-30907
D	10	14	401-30062	16	401-30063	18	401-30062
E	12	15	401-30926		-		-

Needle gauge size 針幅		Needle clamp asm. 針留め(組)		Needle clamp asm. Left 針留め(組)左		Needle clamp asm. Right 針留め(組)右	
Code コード				PLC-2765			
							
		mm	Ref No.	Part No.	Ref No.	Part No.	Ref No.
B	6	19	400-38778		-		-
C	8	20	400-38776	23	400-62043	25	400-62041
D	10	21	400-38774	24	230-23856	26	230-21355
E	12	22	400-38772		-		-



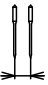
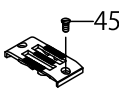

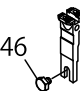
Needle gauge size 針幅		Feed foot for guide asm. ガイド用送り足(組)					
Code コード		PLC-2760・2760-7		PLC-2760L		PLC-2765	
							
		mm	Ref No.	Part No.	Ref No.	Part No.	Ref No.
B	6	27	400-38854		-		-
C	8	28	400-38852	44	400-67204	32	400-38852
D	10	29	400-38850	31	400-39271	33	400-38850
E	12	30	400-38848		-		-

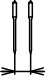
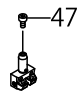


TABLE OF EXCHANGING GAUGE PARTS(1)(FOR PLC-2760,2760-7,2760L,2765)

No.	Parts No.	Parts name	Remarks	Level	Cons	Qty
1	40131017	NEEDLE_PLATE_6MM_60	FOR PLC-2760		☆	1
2	40131016	NEEDLE_PLATE_8MM_60	FOR PLC-2760		☆	1
3	40130065	NEEDLE_PLATE	FOR PLC-2760		☆	1
4	40131018	NEEDLE_PLATE_12MM_60	FOR PLC-2760		☆	1
5	40130927	NEEDLE_PLATE_6MM_60_7	FOR PLC-2760-7		☆	1
6	40130908	NEEDLE_PLATE_8MM_60_7	FOR PLC-2760-7		☆	1
7	40130064	NEEDLE_PLATE	FOR PLC-2760-7		☆	1
8	40130928	NEEDLE_PLATE_12MM_60_7	FOR PLC-2760-7		☆	1
9	40130066	NEEDLE_PLATE	FOR PLC-2760L			1
10	40131016	NEEDLE_PLATE_8MM_60	FOR PLC-2765			1
11	40130065	NEEDLE_PLATE	FOR PLC-2765			1
12	40130925	FEED_DOG_6MM			☆	1
13	40130907	FEED_DOG_8MM			☆	1
14	40130062	FEED_DOG_10MM			☆	1
15	40130926	FEED_DOG_12MM			☆	1
16	40130063	FEED_DOG_10MM_60L	FOR PLC-2760L			1
17	40130907	FEED_DOG_8MM	FOR PLC-2765			1
18	40130062	FEED_DOG_10MM	FOR PLC-2765			1
19	40038778	NEEDLE_CLAMP(6MM)ASM.			☆	1
20	40038776	NEEDLE_CLAMP(8MM)ASM.			☆	1
21	40038774	NEEDLE_CLAMP(10MM)ASM.			☆	1
22	40038772	NEEDLE_CLAMP(12MM)ASM.			☆	1
23	40062043	NEEDLE_CLAMP (L) 8MM ASM.	FOR PLC-2765			1
24	23023856	NEEDLE_CLAMP LEFT ASM.10MM	FOR PLC-2765			1
25	40062041	NEEDLE_CLAMP (R) 8MM ASM.	FOR PLC-2765			1
26	23021355	NEEDLE_CLAMP RIGHT ASM.10MM	FOR PLC-2765			1
27	40038854	FEED FOOT FOR GUIDE(6MM)ASM.			☆	1
28	40038852	FEED FOOT FOR GUIDE(8MM)ASM.			☆	1
29	40038850	FEED FOOT FOR GUIDE(10MM)ASM.			☆	1
30	40038848	FEED FOOT FOR GUIDE(12MM)ASM.			☆	1
31	40039271	FEED FOOT FOR GUIDE(10MM 60L)ASM.	FOR PLC-2760L			1
32	40038852	FEED FOOT FOR GUIDE(8MM)ASM.	FOR PLC-2765			1
33	40038850	FEED FOOT FOR GUIDE(10MM)ASM.	FOR PLC-2765			1
34	40144890	NEEDLE_PLATE_6MM_60_ASM	OPTIONAL PARTS(FOR PLC-2760)			1
35	40144893	NEEDLE_PLATE_8MM_60_ASM	OPTIONAL PARTS(FOR PLC-2760)			1
36	40144896	NEEDLE_PLATE_10MM_60_ASM	OPTIONAL PARTS(FOR PLC-2760)			1
37	40144899	NEEDLE_PLATE_12MM_60_ASM	OPTIONAL PARTS(FOR PLC-2760)			1
38	40144901	NEEDLE_PLATE_6MM_60_7_ASM	OPTIONAL PARTS(FOR PLC-2760-7)			1
39	40144903	NEEDLE_PLATE_8MM_60_7_ASM	OPTIONAL PARTS(FOR PLC-2760-7)			1
40	40144905	NEEDLE_PLATE_10MM_60_7_ASM	OPTIONAL PARTS(FOR PLC-2760-7)			1
41	40144907	NEEDLE_PLATE_12MM_60_7_ASM	OPTIONAL PARTS(FOR PLC-2760-7)			1
42	40153188	NEEDLE_PLATE_8MM_60L				1
43	40153187	FEED_DOG_8MM_60L				1
44	40067204	FEED FOOT FOR GUIDE(8MM)ASM.				1
45	SM1040950TP	SCREW M4 L=9				2
46	SS9110543CP	SCREW 11/64-40 L=5.3				1
47	SM6030602TP	SCREW M3X0.5 L=6				1

TABLE OF EXCHANGING GAUGE PARTS(1)(FOR PLC-2760,2760-7,2760L,2765)

Needle gauge size 針幅		Throat plate 針板							
Code コード		PLC-2760		PLC-2760-7		PLC-2760L		PLC-2765	
									
	mm	Ref No.	Part No.	Ref No.	Part No.	Ref No.	Part No.	Ref No.	Part No.
B	6	1	401-31017	5	401-30927		-		-
C	8	2	401-31016	6	401-30908	42	401-53188	10	401-31016
D	10	3	401-30065	7	401-30064	9	401-30066	11	401-30065
E	12	4	401-31018	8	401-30928		-		-
B	6	34	401-44890	38	401-44901				
C	8	35	401-44893	39	401-44903				
D	10	36	401-44896	40	401-44905				
E	12	37	401-44899	41	401-44907				

Needle gauge size 針幅		Feed dog 送り歯					
Code コード		PLC-2760・2760-7		PLC-2760L		PLC-2765	
							
	mm	Ref No.	Part No.	Ref No.	Part No.	Ref No.	Part No.
B	6	12	401-30925		-		-
C	8	13	401-30907	43	401-53187	17	401-30907
D	10	14	401-30062	16	401-30063	18	401-30062
E	12	15	401-30926		-		-

Needle gauge size 針幅		Needle clamp asm. 針留め(組)		Needle clamp asm. Left 針留め(組)左		Needle clamp asm. Right 針留め(組)右	
Code コード				PLC-2765			
							
	mm	Ref No.	Part No.	Ref No.	Part No.	Ref No.	Part No.
B	6	19	400-38778		-		-
C	8	20	400-38776	23	400-62043	25	400-62041
D	10	21	400-38774	24	230-23856	26	230-21355
E	12	22	400-38772		-		-





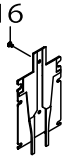
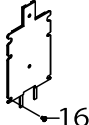
Needle gauge size 針幅		Feed foot for guide asm. ガイド用送り足(組)					
Code コード		PLC-2760・2760-7		PLC-2760L		PLC-2765	
							
	mm	Ref No.	Part No.	Ref No.	Part No.	Ref No.	Part No.
B	6	27	400-38854		-		-
C	8	28	400-38852	44	400-67204	32	400-38852
D	10	29	400-38850	31	400-39271	33	400-38850
E	12	30	400-38848		-		-

TABLE OF EXCHANGING GAUGE PARTS(1)(FOR PLC-2760,2760-7,2760L,2765)

No.	Parts No.	Parts name	Remarks	Level	Cons	Qty
48	B1425526000	SCREW 1/8-44 L=6				1

TABLE OF EXCHANGING GAUGE PARTS(2)(FOR PLC-2760,2760-7,2760L,2765)

Needle gauge size 針幅		Presser foot with guide asm. センターガイド付き押え足 (組)				Feed lever base cover asm. 側面カバー (組)			
Code コード		PLC-2760L				PLC-2760L			
									
	mm	Ref No.	Part No.	Ref No.	Part No.	Ref No.	Part No.	Ref No.	Part No.
B	6	1	400-38810		-	6	401-34017		-
C	8	2	400-38808	15	400-38808	7	401-34018		-
D	10	3	400-38806	5	400-38806	8	401-34019	10	401-34019
E	12	4	400-38802		-	9	401-34020		-


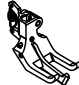

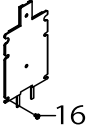
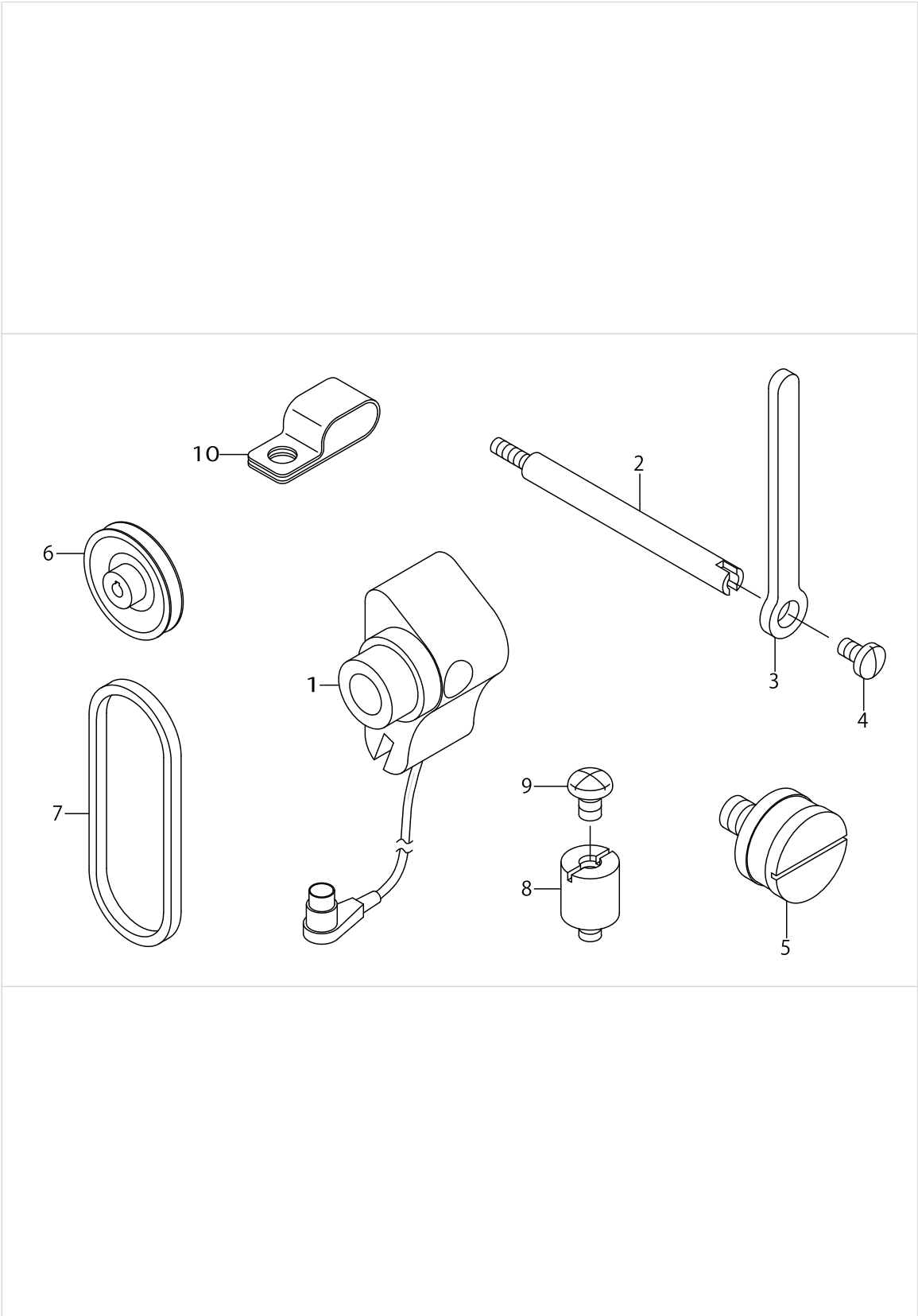
Needle gauge size 針幅		Presser foot with guide asm. センターガイド付き押え足 (組)				Feed lever base cover asm. 側面カバー (組)			
Code コード		PLC-2765				PLC-2765			
									
	mm	Ref No.	Part No.	Ref No.	Part No.	Ref No.	Part No.	Ref No.	Part No.
B	6		-		-		-		-
C	8	11	400-38808			13	401-34018		
D	10	12	400-38806			14	401-34019		
E	12		-		-		-		-

TABLE OF EXCHANGING GAUGE PARTS(2)(FOR PLC-2760,2760-7,2760L,2765)

No.	Parts No.	Parts name	Remarks	Level	Cons	Qty
1	40038810	PRESSER FOOT WITH GUIDE(6MM)ASM.			☆	1
2	40038808	PRESSER FOOT WITH GUIDE(8MM)ASM.			☆	1
3	40038806	PRESSERFOOTWITHGUIDE(10MM)ASM.			☆	1
4	40038802	PRESSERFOOTWITHGUIDE(12MM)ASM.			☆	1
5	40038806	PRESSERFOOTWITHGUIDE(10MM)ASM.	FOR PLC-2760L			1
6	40134017	FEED_LEVER_BASE_COVER_C_6MM				1
7	40134018	FEED_LEVER_BASE_COVER_D_8MM				1
8	40134019	FEED_LEVER_BASE_COVER_B_10MM				1
9	40134020	FEED_LEVER_BASE_COVER_E_12MM				1
10	40134019	FEED LEVER BASE COVER 10MM ASM.	FOR PLC-2760L			1
11	40038808	PRESSER FOOT WITH GUIDE(8MM)ASM.	FOR PLC-2765			1
12	40038806	PRESSERFOOTWITHGUIDE(10MM)ASM.	FOR PLC-2765			1
13	40134018	FEED_LEVER_BASE_COVER_D_8MM	FOR PLC-2765			1
14	40134019	FEED_LEVER_BASE_COVER_B_10MM	FOR PLC-2765			1
15	40038808	PRESSER FOOT WITH GUIDE(8MM)ASM.	FOR PLC-2760L			1
16	SM6040650TP	SCREW				4

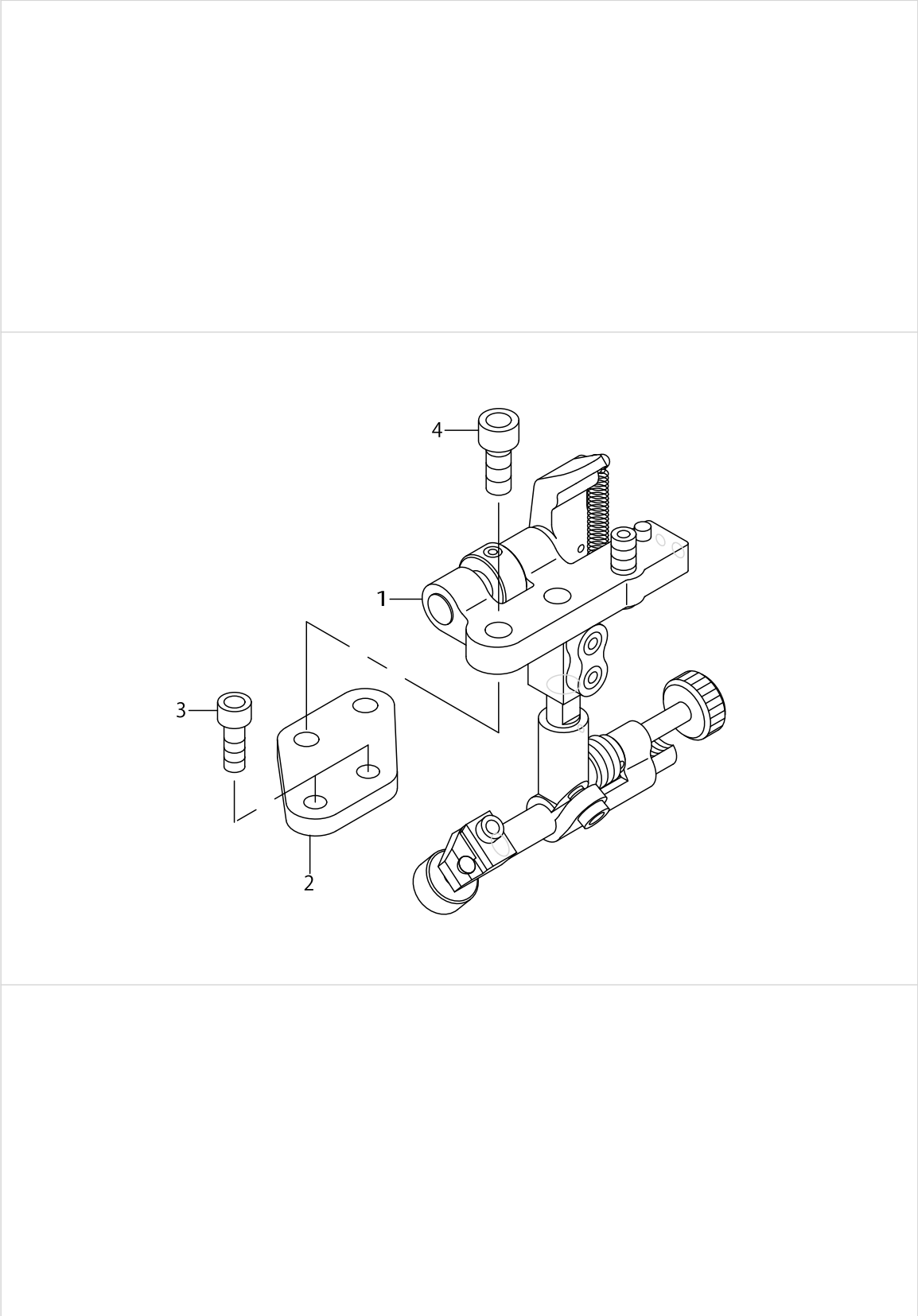
SC-922A KIT COMPONENTS (OPTIONAL PARTS)



SC-922A KIT COMPONENTS (OPTIONAL PARTS)

No.	Parts No.	Parts name	Remarks	Level	Cons	Qty
1	40026920	SYNCHRONIZER ASM.				1
2	40135507	SYNCHRONIZER HOLD STUD				1
3	40135506	SYNCHRONIZER HOLD PLATE				1
4	SM4061201SC	SCREW M6 L=12				1
5	22622401	SYNCRO FRNGE				1
6	MTSP00700B0	MOTOR PULLEY ASM. P.C.D 70				1
7	MTJVH00540A	V BELT 54 INCH				1
8	40126222	CP_SPACER				2
9	SM4050855SP	SCREW				2
10	D2112555B00	CORD HOLDER LARGE				1

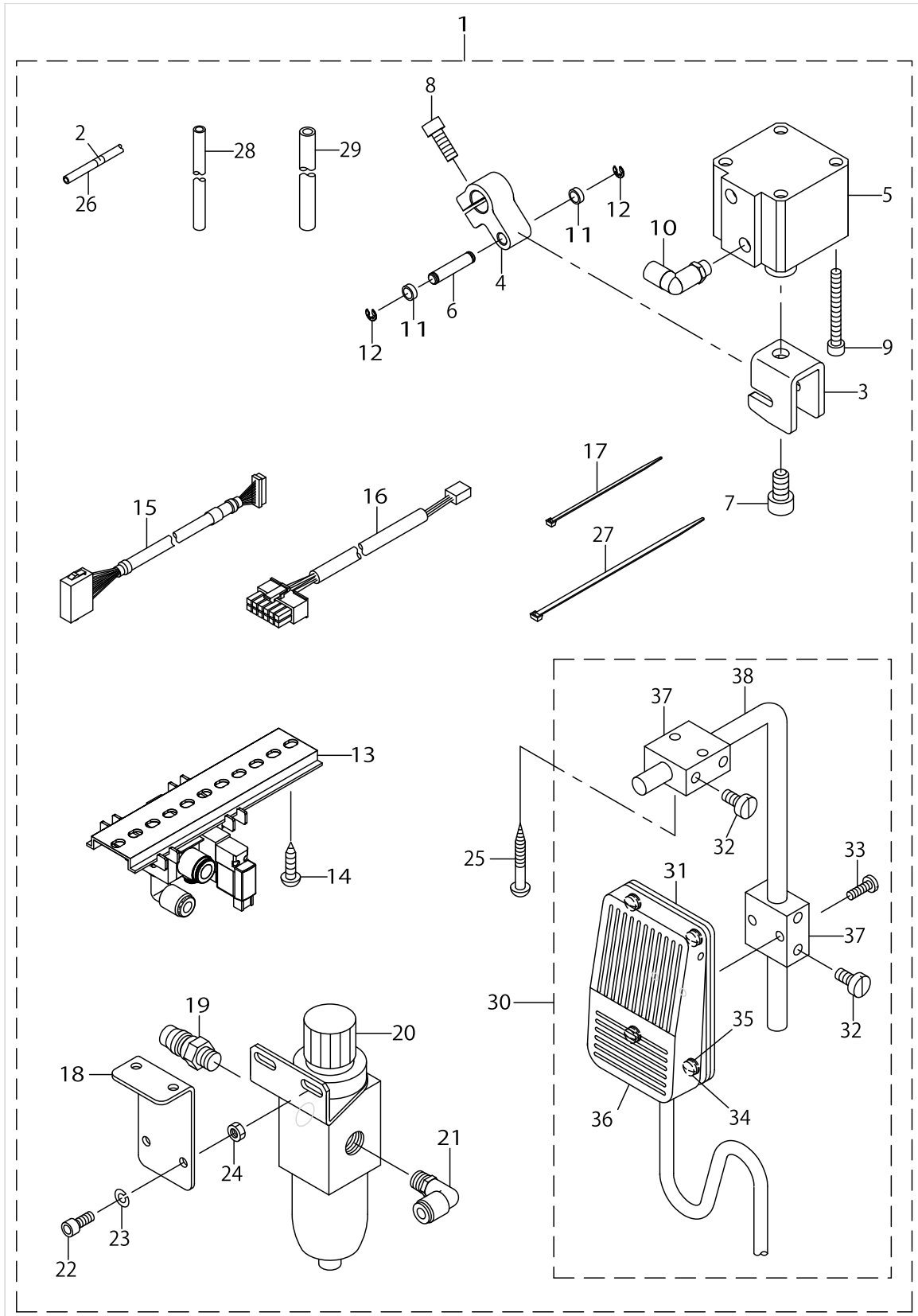
SUSPENSION SQUARE COMPONENTS (OPTIONAL PARTS)



SUSPENSION SQUARE COMPONENTS (OPTIONAL PARTS)

No.	Parts No.	Parts name	Remarks	Level	Cons	Qty
1	MAH152010A0	RULER				1
2	40112214	EDGE_GUIDE_FITTING_PLATE				1
3	SM6051402TP	SCREW M5X0.8 L=14				2
4	SM6061402TP	SCREW M6 L=14				2

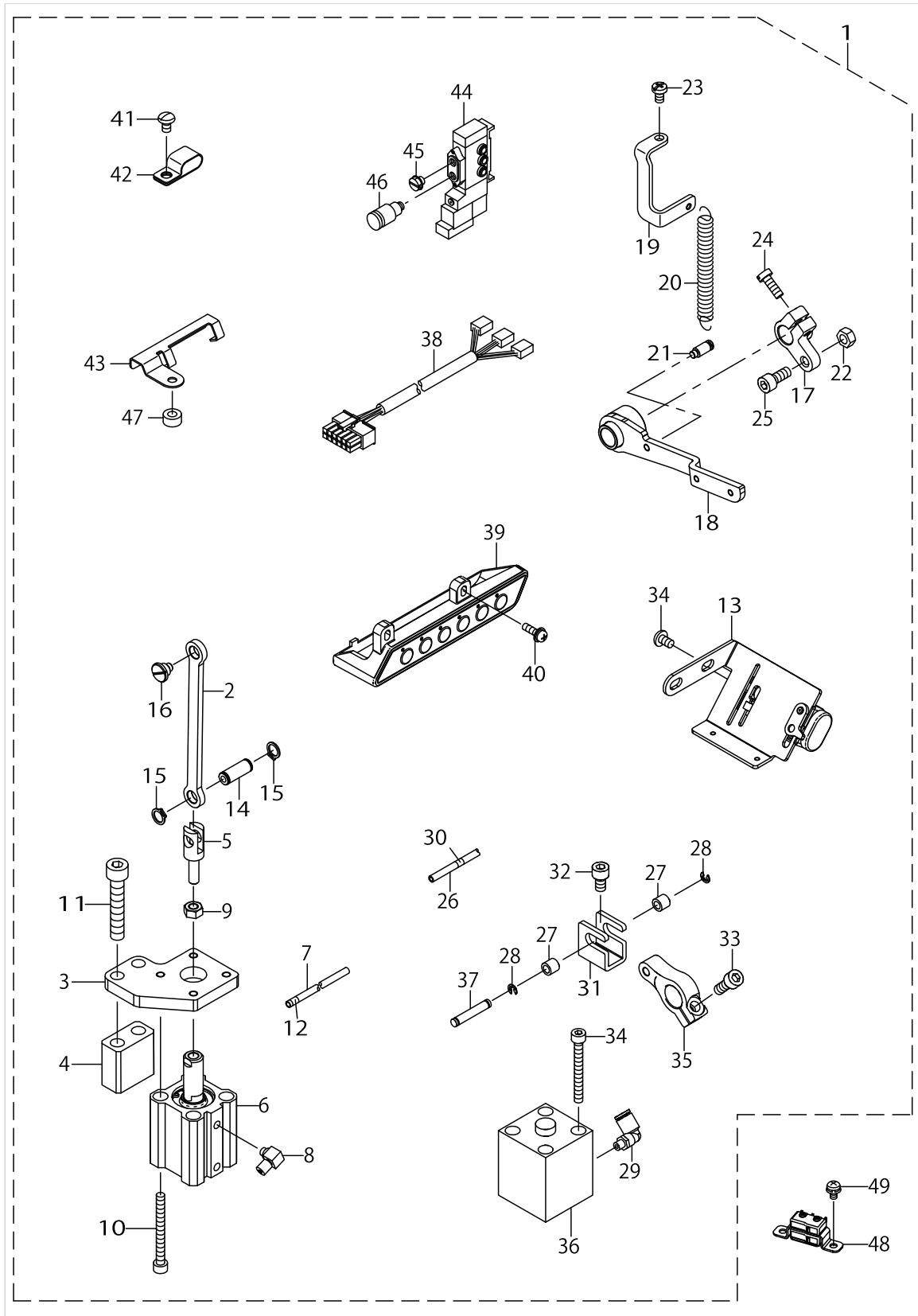
AK KIT COMPONENTS (OPTIONAL PARTS)(FOR PLC-2710,2760,2760L,2765)



AK KIT COMPONENTS (OPTIONAL PARTS)(FOR PLC-2710,2760,2760L,2765)

No.	Parts No.	Parts name	Remarks	Level	Cons	Qty
1	40138572	AK KIT				1
2	18035907	WIRE MARK (10)		*		2
3	40112187	KNUCKLE_JOINT_A		*		1
4	40112188	LIFTING_ARM		*		1
5	PA400150200	AIR CYLINDER		*		1
6	22949101	ROLLER FULCRUM SHAFT		*		1
7	SM6081552TP	SCREW M8 L=15		*		1
8	SM6061602TP	SCREW M6 L=16		*		1
9	SM6054502TN	SCREW		*		4
10	PJ304045102	ELBOW UNION C		*		1
11	13951009	PRESSER FOOT ROLLER		*		2
12	RE0400000K0	E-RING 4		*		2
13	40133982	SOLENOID VALVE ASM.		*		1
14	SK3482001SE	WOOD SCREW D=4.8 L=20		*		4
15	40133985	AIR VALVE RELAY CABLE ASM.		*		1
16	40133983	SOLENOID VALVE CABLE ASM.		*		1
17	EA9500B0100	CABLE BAND		*		2
18	13860408	REGULATOR BRACKET		*		1
19	PJ025100003	PLUG		*		1
20	PF055107000	FILTER REGULATOR		*		1
21	PJ304065101	ELBOW UNION 6XPT1/8		*		1
22	SM6051202TP	SCREW M5X0.8 L=12		*		2
23	WS0510002KN	SPRING WASHER M5		*		2
24	NM6050001SP	NUT M5		*		2
25	SK3514000SC	WOOD SCREW D=5.1 L=40		*		2
26	BT0400251EB	URETHANE HOSE BLACK		*		1.8
27	EA9500B0200	CABLE BAND 150		*		3
28	BT0600401EB	TUBE		*		1
29	BT0800501EB	VINYL TUBE		*		1
30	40025036	KNEE SWITCH ASM.		*		1
31	MAT80232T00	KNEE SWITCH SUPPORT PLATE		*		1
32	SS6151220SP	SCREW 15/64-28 L=11.5		*		4
33	SS7111410SP	SCREW 11/64-40 L=14		*		2
34	SS7110710SL	SCREW 11/64-40 L=7.0		*		4
35	WP0480856SP	WASHER 4.8X8.4X0.8		*		4
36	40025035	KNEE SWITCH ASM.		*		1
37	MAT80230T00	KNEE SWITCH SUPPORT BASE		*		2
38	MAT80231T00	DRIVING BAR T002		*		1

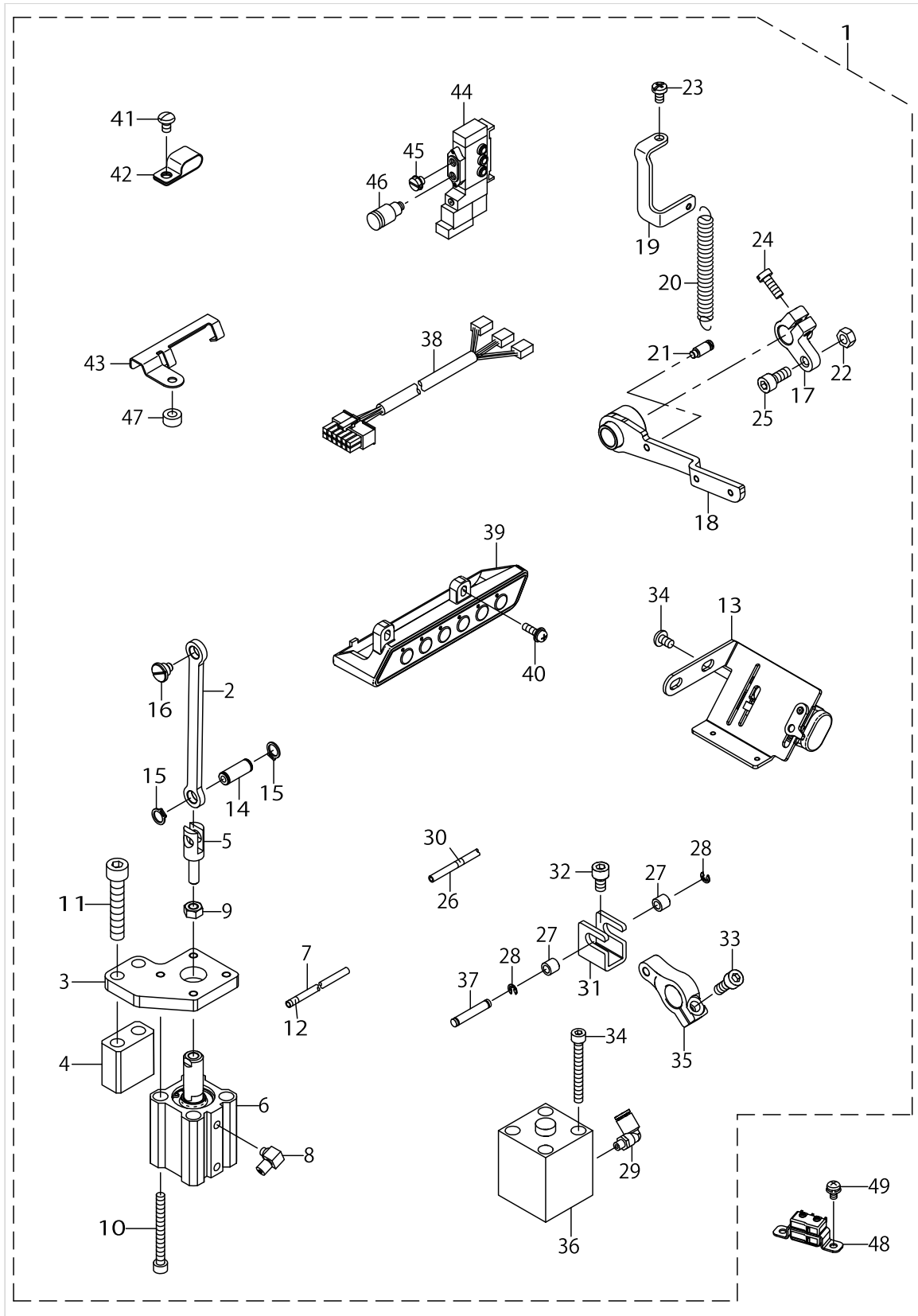
BT,DL KIT COMPONENTS (OPTIONAL PARTS)(FOR PLC-2710(WITH AK),2760(WITH AK),2760L(WITH AK))



BT,DL KIT COMPONENTS (OPTIONAL PARTS)(FOR PLC-2710(WITH AK),2760(WITH AK),2760L(WITH AK))

No.	Parts No.	Parts name	Remarks	Level	Cons	Qty
1	40138898	BT_DL_KIT				1
2	40130413	BT_LINK		*		1
3	40130024	BT_CYLINDER_PLATE		*		1
4	40130414	BT_CYLINDER_BLOCK		*		1
5	40052254	CYLINDER KNUCKLE JOINT		*		1
6	PA250250900	AIR CYLINDER		*		1
7	BT0400251EB	URETHANE HOSE BLACK		*		1.8
8	PJ046052503	HOSE ELBOW		*		1
9	NM6060001CP	NUT M6		*		1
10	SM6055002TP	SCREW M5 L=50		*		4
11	SM6084502TP	SCREW		*		2
12	18035709	WIRE MARK (8)		*		2
13	40130285	TB_SWITCH_ASSY		*		1
14	10714103	CONNECTION LINK PIN A		*		1
15	RC0740811KP	C-RING		*		2
16	SD0800406TP	SHOULDER SCREW D=8 H=4		*		1
17	40112127	BACKWARD_FEED_CONNECTING_ARM		*		1
18	40129991	REVERSE_FEED_LEVER_ASM.		*		1
19	40125864	REVERSE_FEED_LEVER_SPRING_HOOK		*		1
20	D2629M1YC0F	SPRING		*		1
21	26229302	SUSPENSION SCREW		*		1
22	NM6050001SD	NUT M5X0.8		*		1
23	SM4050855SP	SCREW		*		3
24	SM6051400SP	SCREW		*		1
25	SM6051202TP	SCREW M5X0.8 L=12		*		1
26	BT0400251EB	URETHANE HOSE BLACK		*		1.8
27	B3031141H00	CONNECTING STUD		*		2
28	RE0320000K0	E-RING 3.2		*		2
29	PJ304040504	ELBOW UNION		*		1
30	18035501	WIRE MARK (6)		*		2
31	40112191	KNUCKLE_JOINT_B		*		1
32	SM6061002TP	SCREW M6 L=10		*		1
33	SM6061602TP	SCREW M6 L=16		*		1
34	SM6054502TP	SCREW M5X0.8 L=45		*		2
35	40112192	TERTICAL_CYLINDER_ARM		*		1
36	PA250250900	AIR CYLINDER		*		1
37	B1504210000	CONNECTING SHAFT		*		1
38	40133979	SOLENOID VALVE CABLE ASM.		*		1
39	40130287	6RANGE SWITCH ASM		*		1
40	SL4041491SC	SCREW 4X14		*		2
41	SM4050855SP	SCREW		*		4
42	D2112555B00	CORD HOLDER LARGE		*		3
43	40134805	CABLE HOLDER		*		1
44	PV150209100	SOLENOID VALVE		*		2
45	PJ020500002	PLUG		*		2
46	PJ301040502	HALF UNION 4XM5		*		2
47	B3417051000	REAR LIFTING BAR ROLLER		*		1

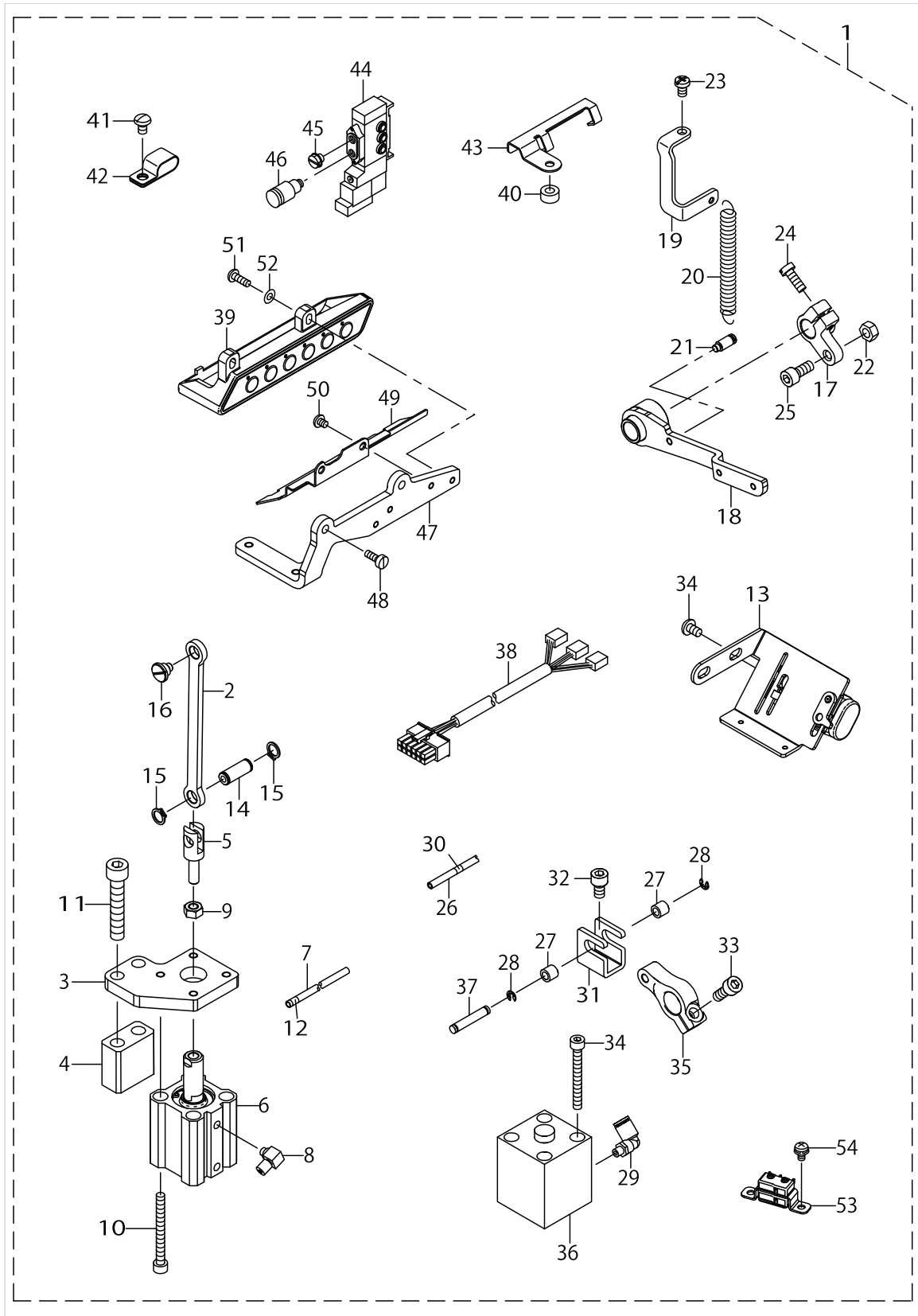
BT,DL KIT COMPONENTS (OPTIONAL PARTS)(FOR PLC-2710(WITH AK),2760(WITH AK),2760L(WITH AK))



BT,DL KIT COMPONENTS (OPTIONAL PARTS)(FOR PLC-2710(WITH AK),2760(WITH AK),2760L(WITH AK))

No.	Parts No.	Parts name	Remarks	Level	Cons	Qty
48	40130289	VERTICAL_DETECTOR_SWITCH_ASM.	FOR PLC-2710,2760			1
49	SL4040691SC	SCREW M4 L=6	FOR PLC-2710,2760			2

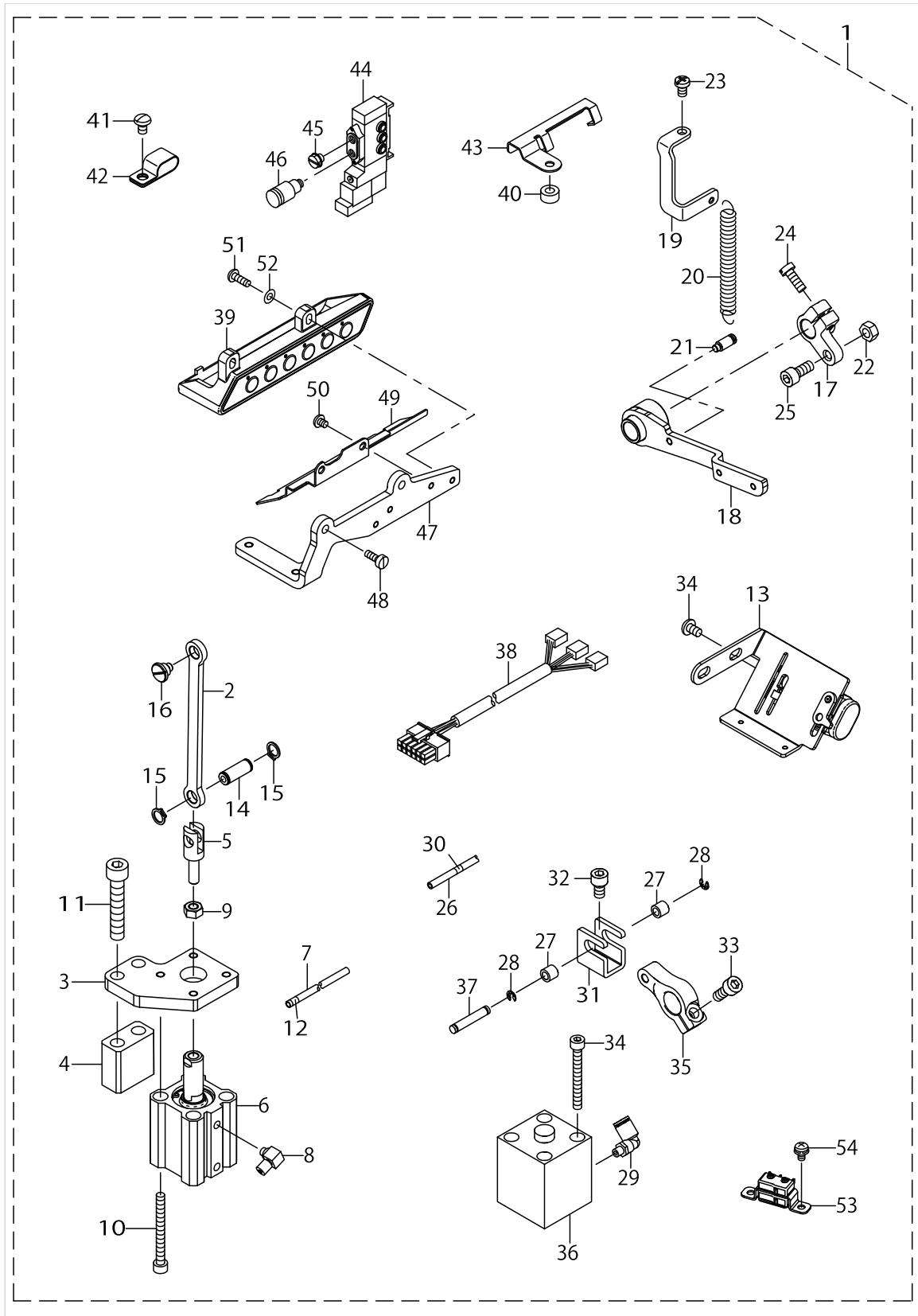
BT,DL KIT COMPONENTS (OPTIONAL PARTS)(FOR PLC-2765(WITH AK))



BT,DL KIT COMPONENTS (OPTIONAL PARTS)(FOR PLC-2765(WITH AK))

No.	Parts No.	Parts name	Remarks	Level	Cons	Qty
1	40139586	BT_DL_KIT				1
2	40130413	BT_LINK		*		1
3	40130024	BT_CYLINDER_PLATE		*		1
4	40130414	BT_CYLINDER_BLOCK		*		1
5	40052254	CYLINDER KNUCKLE JOINT		*		1
6	PA250250900	AIR CYLINDER		*		1
7	BT0400251EB	URETHANE HOSE BLACK		*		1.8
8	PJ046052503	HOSE ELBOW		*		1
9	NM6060001CP	NUT M6		*		1
10	SM6055002TP	SCREW M5 L=50		*		4
11	SM6084502TP	SCREW		*		2
12	18035709	WIRE MARK (8)		*		2
13	40130285	TB_SWITCH_ASSY		*		1
14	10714103	CONNECTION LINK PIN A		*		1
15	RC0740811KP	C-RING		*		2
16	SD0800406TP	SHOULDER SCREW D=8 H=4		*		1
17	40112127	BACKWARD_FEED_CONNECTING_ARM		*		1
18	40129991	REVERSE_FEED_LEVER_ASM.		*		1
19	40125864	REVERSE_FEED_LEVER_SPRING_HOOK		*		1
20	D2629M1YC0F	SPRING		*		1
21	26229302	SUSPENSION SCREW		*		1
22	NM6050001SD	NUT M5X0.8		*		1
23	SM4050855SP	SCREW		*		3
24	SM6051400SP	SCREW		*		1
25	SM6051202TP	SCREW M5X0.8 L=12		*		1
26	BT0400251EB	URETHANE HOSE BLACK		*		1.8
27	B3031141H00	CONNECTING STUD		*		2
28	RE0320000K0	E-RING 3.2		*		2
29	PJ304040504	ELBOW UNION		*		1
30	18035501	WIRE MARK (6)		*		2
31	40112191	KNUCKLE_JOINT_B		*		1
32	SM6061002TP	SCREW M6 L=10		*		1
33	SM6061602TP	SCREW M6 L=16		*		1
34	SM6054502TP	SCREW M5X0.8 L=45		*		2
35	40112192	TERTICAL_CYLINDER_ARM		*		1
36	PA250250900	AIR CYLINDER		*		1
37	B1504210000	CONNECTING SHAFT		*		1
38	40133979	SOLENOID VALVE CABLE ASM.		*		1
39	40130287	6RANGE SWITCH ASM		*		1
40	B3417051000	REAR LIFTING BAR ROLLER		*		1
41	SM4050855SP	SCREW		*		4
42	D2112555B00	CORD HOLDER LARGE		*		3
43	40134805	CABLE HOLDER		*		1
44	PV150209100	SOLENOID VALVE		*		2
45	PJ020500002	PLUG		*		2
46	PJ301040502	HALF UNION 4XM5		*		2
47	40138933	RELEASE LEVER PLATE B		*		1

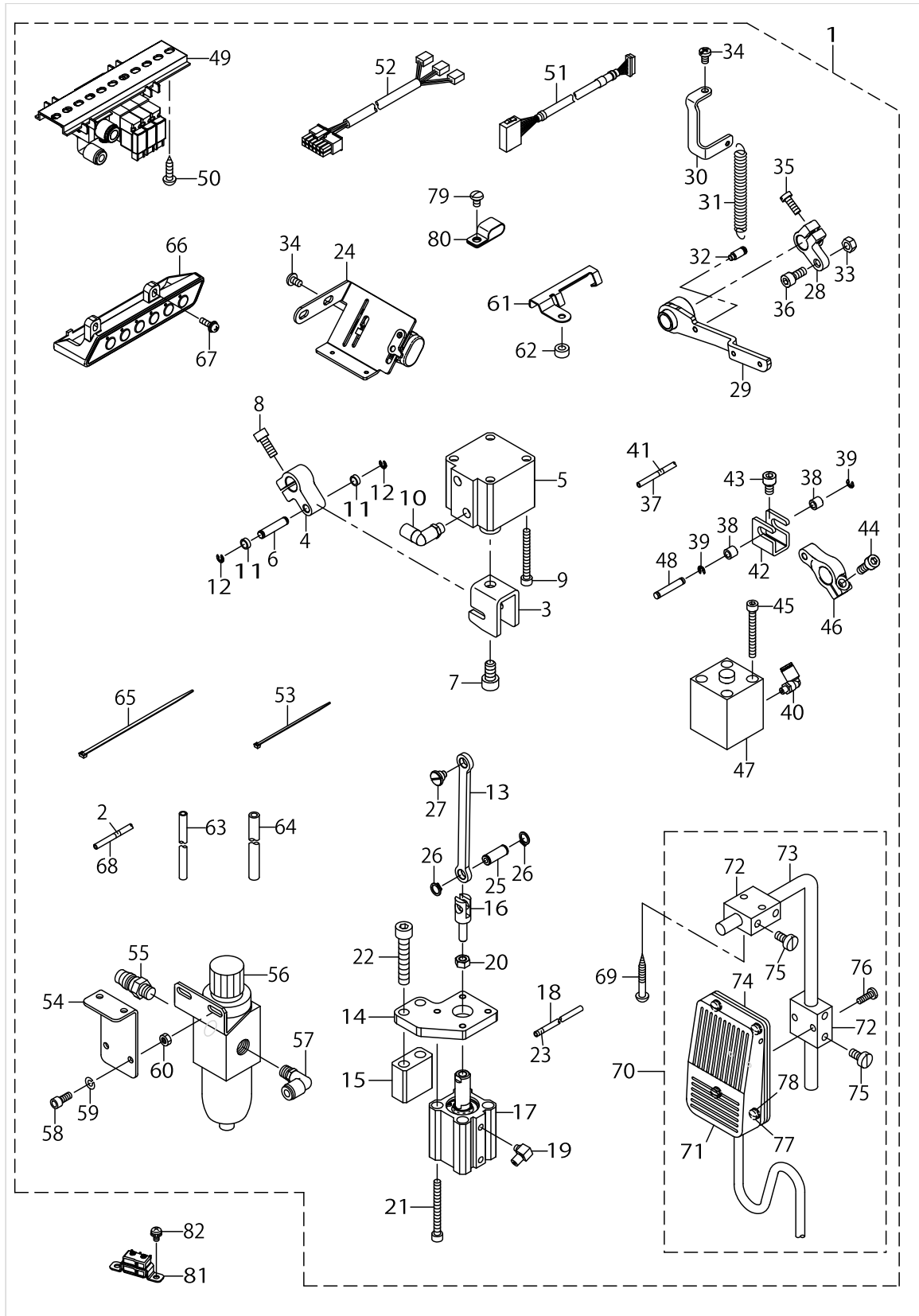
BT,DL KIT COMPONENTS (OPTIONAL PARTS)(FOR PLC-2765(WITH AK))



BT,DL KIT COMPONENTS (OPTIONAL PARTS)(FOR PLC-2765(WITH AK))

No.	Parts No.	Parts name	Remarks	Level	Cons	Qty
48	SM6041150TP	SCREW		*		2
49	40138934	SWICH COVER		*		1
50	SM4040501SN	SCREW M4X0.7 L=5		*		2
51	SM4041201SC	SCREW M4 L=12		*		2
52	WP0430801SC	WASHER M4		*		2
53	40130289	VERTICAL_DETECTOR_SWITCH_ASM.		*		1
54	SL4040691SC	SCREW M4 L=6		*		2

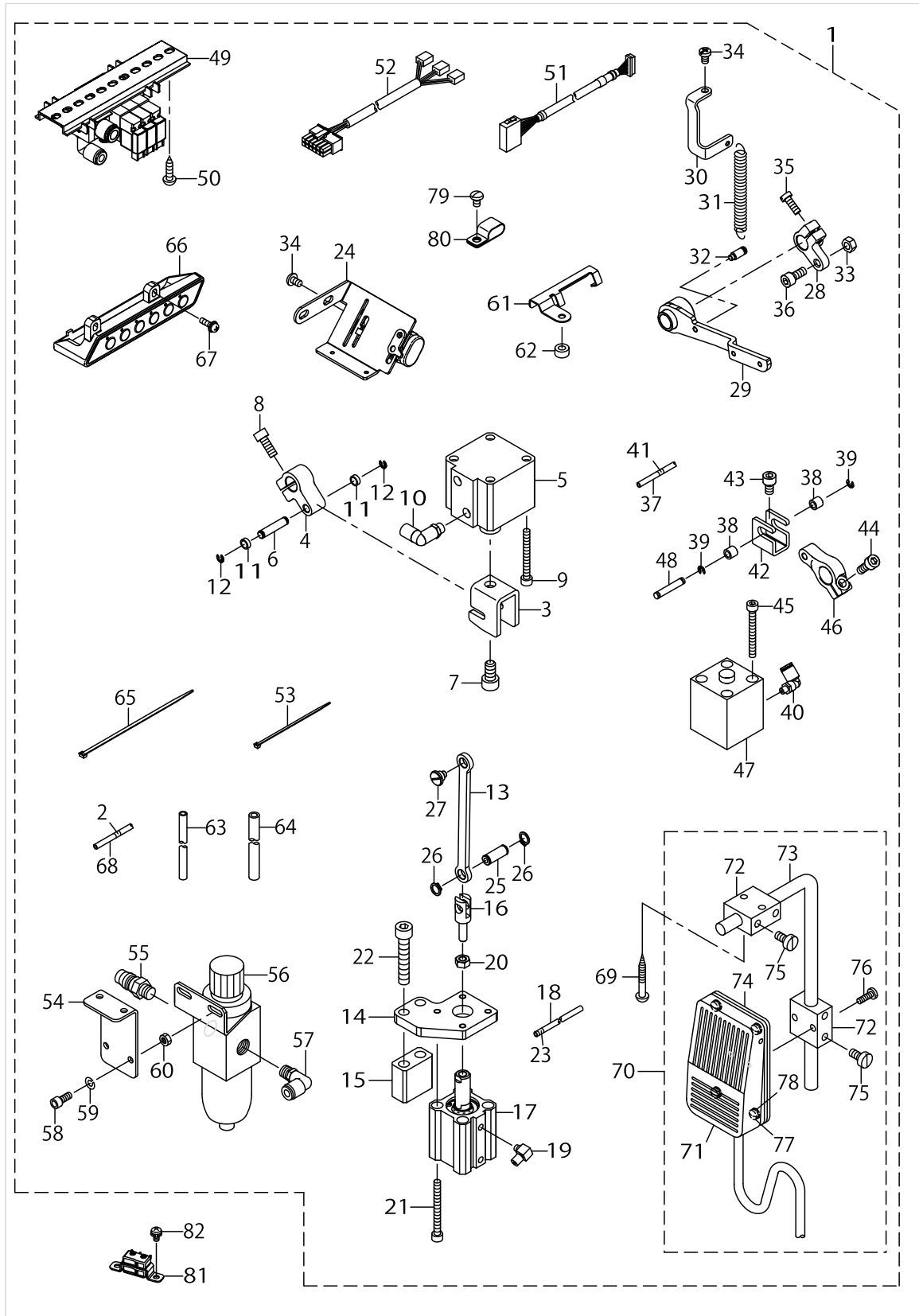
AK,BT,DL KIT COMPONENTS (OPTIONAL PARTS)(FOR PLC-2710,2760,2760L)



AK,BT,DL KIT COMPONENTS (OPTIONAL PARTS)(FOR PLC-2710,2760,2760L)

No.	Parts No.	Parts name	Remarks	Level	Cons	Qty
1	40138573	AK_BT_DL_KIT				1
2	18035907	WIRE MARK (10)		*		2
3	40112187	KNUCKLE_JOINT_A		*		1
4	40112188	LIFTING_ARM		*		1
5	PA400150200	AIR CYLINDER		*		1
6	22949101	ROLLER FULCRUM SHAFT		*		1
7	SM6081552TP	SCREW M8 L=15		*		1
8	SM6061602TP	SCREW M6 L=16		*		1
9	SM6054502TN	SCREW		*		4
10	PJ304045102	ELBOW UNION C		*		1
11	13951009	PRESSER FOOT ROLLER		*		2
12	RE0400000K0	E-RING 4		*		2
13	40130413	BT_LINK		*		1
14	40130024	BT_CYLINDER_PLATE		*		1
15	40130414	BT_CYLINDER_BLOCK		*		1
16	40052254	CYLINDER KNUCKLE JOINT		*		1
17	PA250250900	AIR CYLINDER		*		1
18	BT0400251EB	URETHANE HOSE BLACK		*		1.8
19	PJ046052503	HOSE ELBOW		*		1
20	NM6060001CP	NUT M6		*		1
21	SM6055002TP	SCREW M5 L=50		*		4
22	SM6084502TP	SCREW		*		2
23	18035709	WIRE MARK (8)		*		2
24	40130285	TB_SWITCH_ASSY		*		1
25	10714103	CONNECTION LINK PIN A		*		1
26	RC0740811KP	C-RING		*		2
27	SD0800406TP	SHOULDER SCREW D=8 H=4		*		1
28	40112127	BACKWARD_FEED_CONNECTING_ARM		*		1
29	40129991	REVERSE_FEED_LEVER_ASM.		*		1
30	40125864	REVERSE_FEED_LEVER_SPRING_HOOK		*		1
31	D2629M1YC0F	SPRING		*		1
32	26229302	SUSPENSION SCREW		*		1
33	NM6050001SD	NUT M5X0.8		*		1
34	SM4050855SP	SCREW		*		3
35	SM6051400SP	SCREW		*		1
36	SM6051202TP	SCREW M5X0.8 L=12		*		1
37	BT0400251EB	URETHANE HOSE BLACK		*		1.8
38	B3031141H00	CONNECTING STUD		*		2
39	RE0320000K0	E-RING 3.2		*		2
40	PJ304040504	ELBOW UNION		*		1
41	18035501	WIRE MARK (6)		*		2
42	40112191	KNUCKLE_JOINT_B		*		1
43	SM6061002TP	SCREW M6 L=10		*		1
44	SM6061602TP	SCREW M6 L=16		*		1
45	SM6054502TP	SCREW M5X0.8 L=45		*		2
46	40112192	TERTICAL_CYLINDER_ARM		*		1
47	PA250250900	AIR CYLINDER		*		1

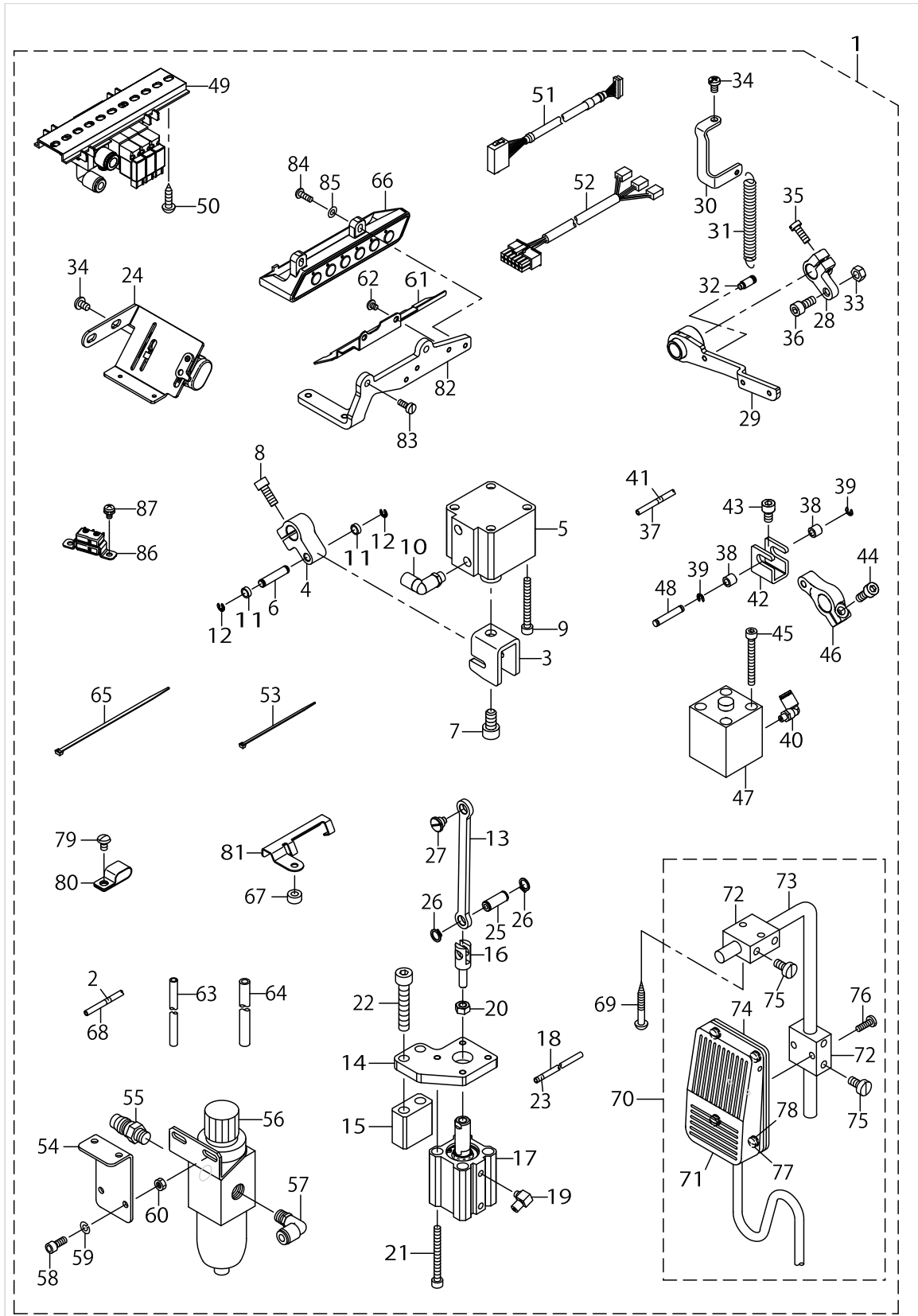
AK,BT,DL KIT COMPONENTS (OPTIONAL PARTS)(FOR PLC-2710,2760,2760L)



AK,BT,DL KIT COMPONENTS (OPTIONAL PARTS)(FOR PLC-2710,2760,2760L)

No.	Parts No.	Parts name	Remarks	Level	Cons	Qty
48	B1504210000	CONNECTING SHAFT		*		1
49	40133978	SOLENOID VALVE ASM.		*		1
50	SK3482001SE	WOOD SCREW D=4.8 L=20		*		4
51	40133985	AIR VALVE RELAY CABLE ASM.		*		1
52	40133979	SOLENOID VALVE CABLE ASM.		*		1
53	EA9500B0100	CABLE BAND		*		2
54	13860408	REGULATOR BRACKET		*		1
55	PJ025100003	PLUG		*		1
56	PF055107000	FILTER REGULATOR		*		1
57	PJ304065101	ELBOW UNION 6XPT1/8		*		1
58	SM6051202TP	SCREW M5X0.8 L=12		*		2
59	WS0510002KN	SPRING WASHER M5		*		2
60	NM6050001SP	NUT M5		*		2
61	40134805	CABLE HOLDER		*		1
62	B3417051000	REAR LIFTING BAR ROLLER		*		1
63	BT0600401EB	TUBE		*		1.1
64	BT0800501EB	VINYL TUBE		*		1.1
65	EA9500B0200	CABLE BAND 150		*		3
66	40130287	6RANGE SWITCH ASM.		*		1
67	SL4041491SC	SCREW 4X14		*		2
68	BT0400251EB	URETHANE HOSE BLACK		*		1.8
69	SK3514000SC	WOOD SCREW D=5.1 L=40		*		2
70	40025036	KNEE SWITCH ASM.		*		1
71	40025035	KNEE SWITCH ASM.		*		1
72	MAT80230T00	KNEE SWITCH SUPPORT BASE		*		2
73	MAT80231T00	DRIVING BAR T002		*		1
74	MAT80232T00	KNEE SWITCH SUPPORT PLATE		*		1
75	SS6151220SP	SCREW 15/64-28 L=11.5		*		4
76	SS7111410SP	SCREW 11/64-40 L=14		*		2
77	SS7110710SL	SCREW 11/64-40 L=7.0		*		4
78	WP0480856SP	WASHER 4.8X8.4X0.8		*		4
79	SM4050855SP	SCREW		*		4
80	D2112555B00	CORD HOLDER LARGE		*		3
81	40130289	VERTICAL_DETECTOR_SWITCH_ASM.	FOR PLC-2710,2760			1
82	SL4040691SC	SCREW M4 L=6	FOR PLC-2710,2760			2

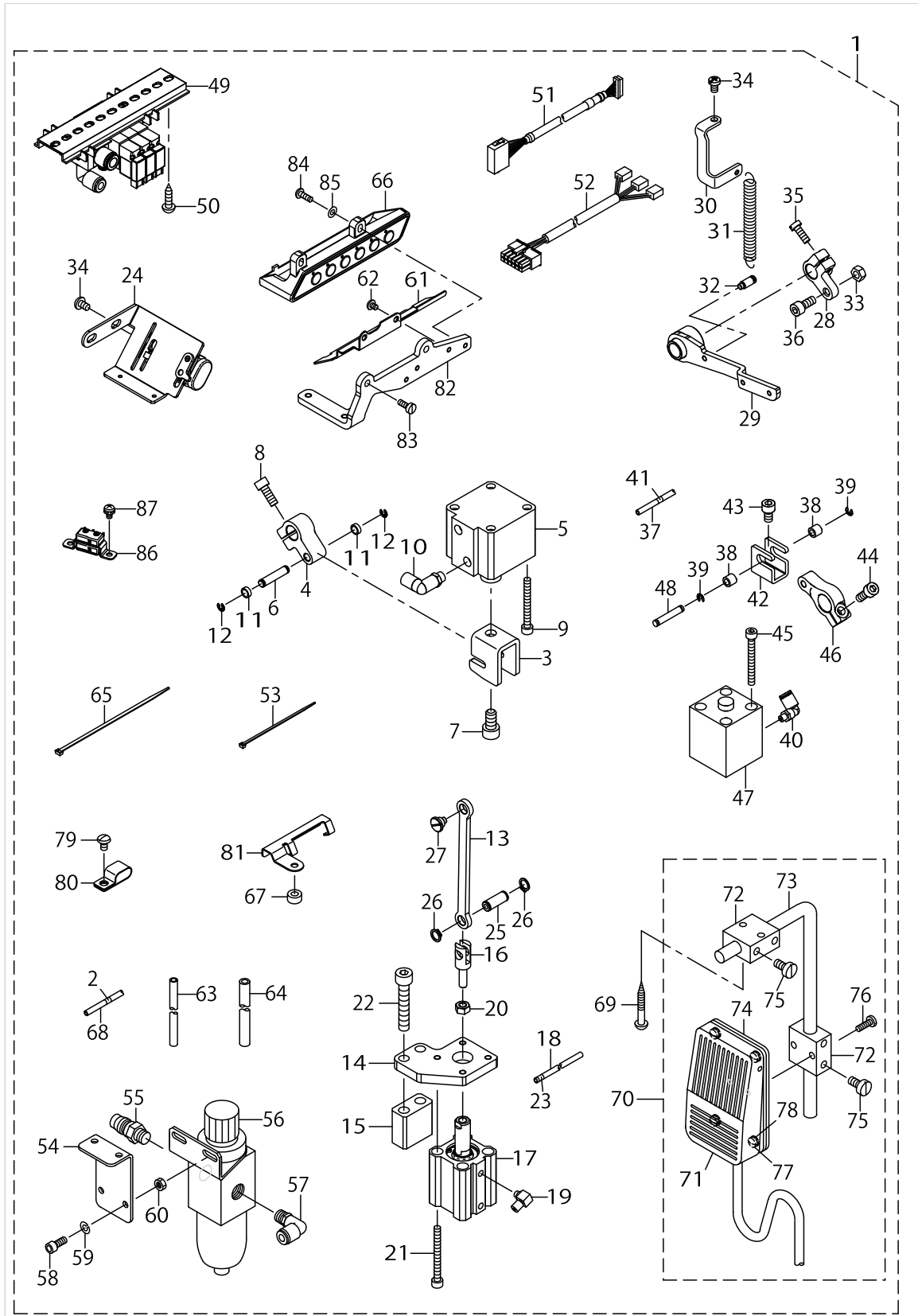
AK,BT,DL KIT COMPONENTS (OPTIONAL PARTS)(FOR PLC-2765)



AK,BT,DL KIT COMPONENTS (OPTIONAL PARTS)(FOR PLC-2765)

No.	Parts No.	Parts name	Remarks	Level	Cons	Qty
1	40139587	AK_BT_DL_KIT				1
2	18035907	WIRE MARK (10)		*		2
3	40112187	KNUCKLE_JOINT_A		*		1
4	40112188	LIFTING_ARM		*		1
5	PA400150200	AIR CYLINDER		*		1
6	22949101	ROLLER FULCRUM SHAFT		*		1
7	SM6081552TP	SCREW M8 L=15		*		1
8	SM6061602TP	SCREW M6 L=16		*		1
9	SM6054502TN	SCREW		*		4
10	PJ304045102	ELBOW UNION C		*		1
11	13951009	PRESSER FOOT ROLLER		*		2
12	RE0400000K0	E-RING 4		*		2
13	40130413	BT_LINK		*		1
14	40130024	BT_CYLINDER_PLATE		*		1
15	40130414	BT_CYLINDER_BLOCK		*		1
16	40052254	CYLINDER KNUCKLE JOINT		*		1
17	PA250250900	AIR CYLINDER		*		1
18	BT0400251EB	URETHANE HOSE BLACK		*		1.3
19	PJ046052503	HOSE ELBOW		*		1
20	NM6060001CP	NUT M6		*		1
21	SM6055002TP	SCREW M5 L=50		*		4
22	SM6084502TP	SCREW		*		2
23	18035709	WIRE MARK (8)		*		2
24	40130285	TB_SWITCH_ASSY		*		1
25	10714103	CONNECTION LINK PIN A		*		1
26	RC0740811KP	C-RING		*		2
27	SD0800406TP	SHOULDER SCREW D=8 H=4		*		1
28	40112127	BACKWARD_FEED_CONNECTING_ARM		*		1
29	40129991	REVERSE_FEED_LEVER_ASM		*		1
30	40125864	REVERSE_FEED_LEVER_SPRING_HOOK		*		1
31	D2629M1YC0F	SPRING		*		1
32	26229302	SUSPENSION SCREW		*		1
33	NM6050001SD	NUT M5X0.8		*		1
34	SM4050855SP	SCREW		*		3
35	SM6051400SP	SCREW		*		1
36	SM6051202TP	SCREW M5X0.8 L=12		*		1
37	BT0400251EB	URETHANE HOSE BLACK		*		1.8
38	B3031141H00	CONNECTING STUD		*		2
39	RE0320000K0	E-RING 3.2		*		2
40	PJ304040504	ELBOW UNION		*		1
41	18035501	WIRE MARK (6)		*		2
42	40112191	KNUCKLE_JOINT_B		*		1
43	SM6061002TP	SCREW M6 L=10		*		1
44	SM6061602TP	SCREW M6 L=16		*		1
45	SM6054502TP	SCREW M5X0.8 L=45		*		2
46	40112192	TERTICAL_CYLINDER_ARM		*		1
47	PA250250900	AIR CYLINDER		*		1

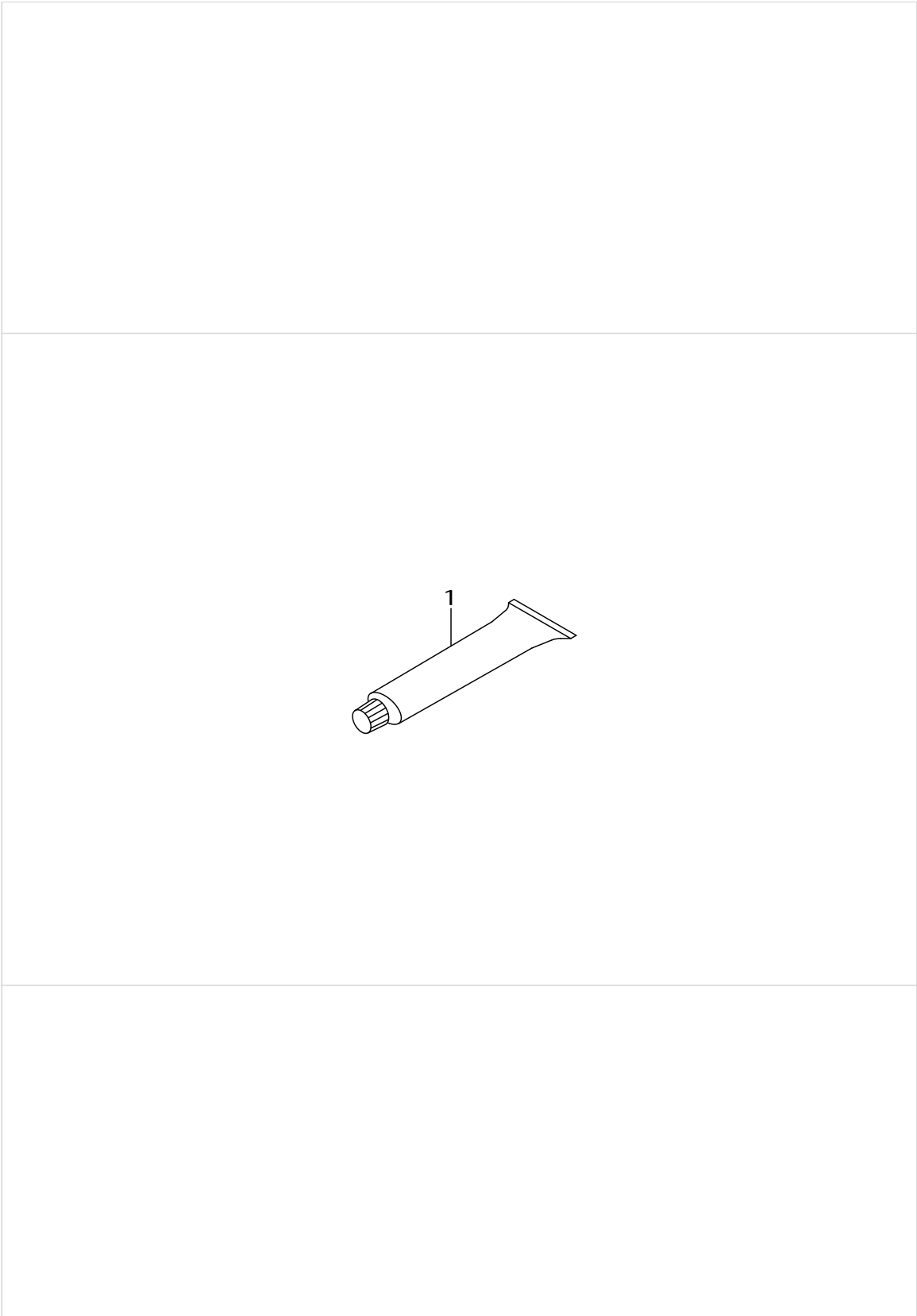
AK,BT,DL KIT COMPONENTS (OPTIONAL PARTS)(FOR PLC-2765)



AK,BT,DL KIT COMPONENTS (OPTIONAL PARTS)(FOR PLC-2765)

No.	Parts No.	Parts name	Remarks	Level	Cons	Qty
48	B1504210000	CONNECTING SHAFT		*		1
49	40133978	SOLENOID VALVE ASM.		*		1
50	SK3482001SE	WOOD SCREW D=4.8 L=20		*		4
51	40133985	AIR VALVE RELAY CABLE ASM.		*		1
52	40133979	SOLENOID VALVE CABLE ASM.		*		1
53	EA9500B0100	CABLE BAND		*		2
54	13860408	REGULATOR BRACKET		*		1
55	PJ025100003	PLUG		*		1
56	PF055107000	FILTER REGULATOR		*		1
57	PJ304065101	ELBOW UNION 6XPT1/8		*		1
58	SM6051202TP	SCREW M5X0.8 L=12		*		2
59	WS0510002KN	SPRING WASHER M5		*		2
60	NM6050001SP	NUT M5		*		2
61	40138934	SWICH COVER		*		1
62	SM4040501SN	SCREW M4X0.7 L=5		*		2
63	BT0600401EB	TUBE		*		1.1
64	BT0800501EB	VINYL TUBE		*		1.1
65	EA9500B0200	CABLE BAND 150		*		3
66	40130287	6RANGE SWITCH ASM.		*		1
67	B3417051000	REAR LIFTING BAR ROLLER		*		1
68	BT0400251EB	URETHANE HOSE BLACK		*		1.8
69	SK3514000SC	WOOD SCREW D=5.1 L=40		*		2
70	40025036	KNEE SWITCH ASM.		*		1
71	40025035	KNEE SWITCH ASM.		*		1
72	MAT80230T00	KNEE SWITCH SUPPORT BASE		*		2
73	MAT80231T00	DRIVING BAR T002		*		1
74	MAT80232T00	KNEE SWITCH SUPPORT PLATE		*		1
75	SS6151220SP	SCREW 15/64-28 L=11.5		*		4
76	SS7111410SP	SCREW 11/64-40 L=14		*		2
77	SS7110710SL	SCREW 11/64-40 L=7.0		*		4
78	WP0480856SP	WASHER 4.8X8.4X0.8		*		4
79	SM4050855SP	SCREW		*		4
80	D2112555B00	CORD HOLDER LARGE		*		3
81	40134805	CABLE HOLDER		*		1
82	40138933	RELEASE LEVER PLATE B		*		1
83	SM6041150TP	SCREW		*		2
84	SM4041201SC	SCREW M4 L=12		*		2
85	WP0430801SC	WASHER M4		*		2
86	40130289	VERTICAL_DETECTOR_SWITCH_ASM.		*		1
87	SL4040691SC	SCREW M4 L=6		*		2

OPTIONAL PARTS



OPTIONAL PARTS

No.	Parts No.	Parts name	Remarks	Level	Cons	Qty
1	40006323	JUKI GREASE A TUBE				1

LIST FOR INFORMATION OF CHANGE (1)

As to the place changed, refer to the corresponding Rev.No.
 When previous parts(Obsoleted part)and new parts(Added parts)are
 not interchangeable with each other:
 In this case,even obsoleted parts(D.)can be ordered with the
 obsoleted part number,so select the parts with changed dates and
 place your orders.

変更箇所は、該当Rev.No.版をご参照ください。
 部品の互換性がない変更の場合は、削除された品番でも、ご注文できます。

40130435
 No.1629-06 Rev.No.

*A:Added parts追加部品/D:Obsoleted parts削除部品/E:Erratum訂正

* Rev. No.	Page 頁	Ref. No.	Parts No. 品番	* Rev. No.	Page 頁	Ref. No.	Parts No. 品番
				A	06	8	6 401-41331
				A	06	8	26 SB-3100003-00
D	05	10	29 400-52253	A	06	10	29 401-52295
D	05	10	30 400-52253	A	06	10	30 401-52295
D	05	10	52 SM-6051402-TP				
D	05	10	53 SM-6051402-TP				
D	05	12	10 230-07602	A	06	12	10 401-63121
D	05	12	11 230-07602	D	06	12	11 401-63121
D	05	12	34 401-31586	D	06	12	34 401-63259
D	05	12	35 401-31586	A	06	12	35 401-63259
D	05	16	1 401-26167	A	06	16	1 401-44289
D	05	16	4 401-33609	A	06	16	4 401-44287
D	05	16	5 401-23664				
D	05	16	6 401-33608				
D	05	16	7 PS-0100052-KP				
D	05	16	15 401-23665	A	06	16	7 401-76628
D	05	16	19 401-12118	A	06	16	80 401-49125
D	05	16	21 401-26375	A	06	16	87 401-49120
D	05	16	23 401-35014	A	06	16	23 401-71574
				A	06	16	76 401-49115
				A	06	16	77 401-49116
				A	06	16	78 401-49117
				A	06	16	79 401-49118
				A	06	16	81 401-49126
				A	06	16	82 401-49127
				A	06	16	83 401-49128
				A	06	16	84 401-49121
				A	06	16	85 401-49122
				A	06	16	86 401-49123
D	05	17	5 401-25870	A	06	17	5 401-44283
D	05	20	12 401-26357	A	06	20	12 401-54832
				A	06	20	100 401-54833
				A	06	20	101 SM-6062502-TP
D	05	30	8 401-12151	A	06	30	8 401-71514
D	05	32	5 401-34505	A	06	32	5 401-76347
D	05	32	18 225-28806	A	06	32	31 401-55994

LIST FOR INFOMATION OF CHANGE (2)

* Rev. No.	Page 頁	Ref. No.	Parts No. 品番	*	Rev. No.	Page 頁	Ref. No.	Parts No. 品番
D 05	32	21	225-29408	A	06	32	34	401-55960
D 05	32	31	B3126-012-000	A	06	32	20	229-21506
				A	06	32	6	401-76349
				A	06	32	30	401-55958
				A	06	32	37	SS-4110815-SP
				A	06	32	38	NS-6110310-SP
D 05	34	1	401-32435	A	06	34	1	401-76348
D 05	34	4	110-72402	A	06	34	37	229-45703
D 05	34	5	110-93606	A	06	34	38	229-63409
D 05	34	8	225-28806	A	06	34	39	401-55994
D 05	34	9	225-29408	A	06	34	40	401-55960
D 05	34	10	225-29515	A	06	34	41	401-55995
D 05	34	25	B3126-012-000	A	06	34	25	229-21506
D 05	34	32	B3214-047-000	A	06	34	42	229-45802
				A	06	34	2	401-76350
				A	06	34	36	401-55959
				A	06	34	43	NS-6110310-SP
				A	06	34	44	SS-4110815-SP
D 05	36	1	401-41153	A	06	36	1	401-77393
D 05	36	4	110-72402	A	06	36	38	229-45703
D 05	36	5	110-93606	A	06	36	39	229-63409
D 05	36	8	225-28806	A	06	36	40	401-55994
D 05	36	9	225-29408	A	06	36	41	401-77400
D 05	36	10	225-29515	A	06	36	42	401-55995
D 05	36	25	B3126-012-000	A	06	36	25	229-21506
D 05	36	32	B3214-047-000	A	06	36	43	229-45802
				A	06	36	2	401-77394
				A	06	36	37	401-77402
				A	06	36	44	NS-6110310-SP
				A	06	36	45	SS-4110815-SP
D 05	46	1	131-67556	A	06	46	1	401-06584

HOW TO MAKE USE OF THIS PARTS LIST

1.Explanation of codes

1)"*"mark.....means this part is changed from the previous parts book.

As to the details of the change, refer to the "List for information of change".

2)"#01".....refer to "Note" explanation at bottom of page.

2.Codes on the "Qty" column

- Each numeral indicates the number of parts required.
- "0.1" and "2.5" indicate the length (in meters) of the respective parts.

3.Parentheses mean that the corresponding part is a subpart that constructs an assembly part.

4.Dotted lines on the Figures indicate assembly parts.

5.As to the parts with marks of "☆"(consumable parts) and "◎"(optional parts)on the respective parts, it is recommended to prepare spares.

1 ."注記"欄の記号説明

1) "*"印.....前回のパーツブックに比較して今回変更された部品を意味します。

変更内容は、"変更情報リスト"を参照してください。

2) "#01".....ページ下の"注記"の説明を参照してください。

2.数量欄の数字は、個数を表し、0.1、2.5等の数値は、長さ（単位メートル）を表します。

3.数量欄の（ ）は、組部品を構成している子部品であることを意味します。

4.イラストページの-----枠は、組構成であることを意味します。

5.リストページの"☆"（消耗部品）、"◎"（オプション部品）の印がついた部品は、予備を準備しておくことをお奨めします。

NUMERICAL INDEX OF PARTS

PART NO	PAGE	REF NO.	PART NO	PAGE	REF NO.	PART NO	PAGE	REF NO.
10320109	60	25	13860408	120	54	22617609	62	11
10539906	88	7	13951009	26	22	22617609	66	11
10546901	4	37	13951009	104	11	22617708	62	12
10697506	60	14	13951009	114	11	22617708	66	12
10697506	62	4	13951009	118	11	22617807	60	16
10697506	66	4	18035006	40	85·86	22617807	62	13
10697605	62	3	18035105	40	85·86	22617807	66	13
10697605	66	3	18035303	58	19	22618201	60	7
10710804	22	3	18035501	44	6	22618201	62	14
10711653	92	5	18035501	106	30	22618201	66	14
10712552	92	6	18035501	110	30	22618300	62	15
10714103	32	42	18035501	114	41	22618300	66	15
10714103	46	22	18035501	118	41	22618706	60	24
10714103	106	14	18035709	46	12	22618706	62	16
10714103	110	14	18035709	106	12	22618706	66	16
10714103	114	25	18035709	110	12	22618805	62	17
10714103	118	25	18035709	114	23	22618805	66	17
10714608	32	46	18035709	118	23	22618904	62	18
10715704	38	62	18035907	26	13	22618904	66	18
10715704	40	62	18035907	104	2	22622401	100	5
10718906	32	2	18035907	114	2	22681407	10	22
10721504	4	23	18035907	118	2	22681506	10	23
10773000	78	56	18219105	16	32·33	22681712	10	16
10777407	90	43	21334800	16	1·2	22681803	10	45
11002904	10	33	21334800	88	1	22681951	10	39~44
12210803	80	112	21343108	86	27	22682058	10	39~44
12316907	80	116	21343157	86	21	22682157	10	39~44
12938304	60	17	21387600	12	10	22682256	10	39~44
12938304	62	7	21387709	12	11	22682355	10	39~44
12938304	66	7	21387808	12	12	22682504	10	37
13142609	78	59·117	21387907	12	13	22682702	10	15
13142609	80	59·117	21451406	8	7·8	22686000	10	29
13319405	52	33·34	21470505	54	51·52	22687503	68	57
13409107	26	10	22528509	60	40	22687701	68	53
13416508	52	10·11	22528509	64	54	22863203	86	15
13424502	38	31	22528509	66	47	22863252	86	14
13461504	52	35·36	22606206	8	21~28	22901805	2	8
13718507	74	16	22606305	8	21~28	22902506	2	18
13765607	76	12·13	22606404	8	21~28	22904106	34	57
13817408	60	18	22607600	8	21~28	22904155	24	52
13817408	62	6	22607709	8	21~28	22904155	34	56
13817408	66	6	22607709	10	32	22911804	38	61
13860408	88	9	22607808	8	21~28	22911804	40	61
13860408	104	18	22607907	8	21~28	22912257	60	1
13860408	116	54	22615702	68	63	22912257	62	47

NUMERICAL INDEX OF PARTS

PART NO	PAGE	REF NO.	PART NO	PAGE	REF NO.	PART NO	PAGE	REF NO.
22912257	68	86	22963409	60	33	26260406	74	4
22913008	24	75	22963409	62	38	26260505	74	6
22913008	32	5	22963409	66	39	26260802	74	8
22921308	74	32	23007503	16	8·9	26261008	74	9
22921407	60	23	23021355	94	26	26261503	74	11
22921407	62	33	23023856	94	24	32055501	70	6
22921407	66	33	23036304	34	49	40006323	122	1
22921407	74	31	23540305	78	48	40006716	26	2
22921506	60	20	23542418	70	1	40010709	8	1
22921506	62	25	23600505	2	30·31	40010709	10	1
22921506	66	25	23605207	4	12	40011902	4	31
22921506	74	28	23613409	38	23	40013595	76	43
22921704	74	29	23628357	76	35	40022407	78	50
22926000	88	23	23629306	80	103	40023568	8	2
22932107	30	11	23629306	88	13	40023568	10	2
22932156	30	10	23629405	78	90	40023627	22	19
22932404	86	19	23629504	78	53	40025035	86	2
22932453	86	18	23630007	38	13	40025035	104	36
22932800	88	2	23630007	76	108·109	40025035	116	71
22933105	88	4	23630007	78	108·109	40025035	120	71
22933204	88	5	23630007	80	108·109	40025036	86	1
22934202	86	24	23630106	76	110·111	40025036	104	30
22934301	86	25	23630106	78	110·111	40025036	116	70
22934400	86	23	23630106	80	110·111	40025036	120	70
22934509	86	22	23630403	76	40	40026457	88	32
22934707	86	20	23630502	76	41	40026818	4	46
22935308	76	11	23630601	76	93	40026920	100	1
22945703	60	32	23630601	78	93	40027770	90	49
22945703	62	37	23630650	76	38	40028556	68	59
22945703	66	38	23631708	46	16	40028641	68	62
22945802	60	35	23631807	46	17	40028668	10	38
22945802	62	42	23631906	46	18	40032147	10	7
22945802	66	43	23632102	46	14	40032327	68	58
22949101	26	17	23638406	50	2	40032804	76	28·29
22949101	104	6	23639503	30	23	40033825	38	24
22949101	114	6	26018705	34	84	40034674	2	13
22949101	118	6	26228304	32	28	40034675	2	12
22954309	60	2	26229302	40	53	40036167	76	36
22954309	64	48	26229302	106	21	40038494	22	35
22954309	68	87	26229302	110	21	40038494	34	55
22956205	52	2·3	26229302	114	32	40038772	94	22
22957104	52	4·5	26229302	118	32	40038774	94	21
22957203	52	6·7	26231902	54	91	40038776	94	20
22958300	88	6·41	26260109	74	2	40038778	94	19
22958300	90	6·41	26260307	74	3	40038802	98	4

NUMERICAL INDEX OF PARTS

PART NO	PAGE	REF NO.	PART NO	PAGE	REF NO.	PART NO	PAGE	REF NO.
40038806	98	12	40085788	82	6	40112092	4	28
40038808	98	15	40085788	84	16	40112093	4	29
40038810	98	1	40085789	82	7	40112094	4	30
40038848	94	30	40085789	84	15	40112098	32	11
40038850	94	33	40085790	82	8	40112106	4	5
40038852	94	32	40085790	84	14	40112118	32	18
40038854	94	27	40085791	82	9	40112127	30	9
40039271	94	31	40085791	84	13	40112127	40	49
40039629	10	36	40085792	82	10	40112127	106	17
40042716	2	14	40085792	84	7	40112127	110	17
40052254	46	4	40085793	82	11	40112127	114	28
40052254	106	5	40085793	84	5	40112127	118	28
40052254	110	5	40085794	82	12	40112137	58	2
40052254	114	16	40085794	84	4	40112138	58	3
40052254	118	16	40085795	82	13	40112140	58	5
40062041	94	25	40085795	84	3	40112149	58	6
40062043	94	23	40085796	82	16	40112152	8	11
40067204	94	44	40085796	84	20	40112152	10	8
40075542	18	41	40086018	38	32	40112176	22	5
40075547	18	46	40086679	70	15	40112184	26	3
40075548	18	45	40088958	74	27	40112187	26	14
40077931	40	74	40088959	74	30	40112187	104	3
40079298	88	31	40090058	22	17	40112187	114	3
40079896	18	31	40095222	10	24	40112187	118	3
40079898	18	10-11	40096325	82	14	40112188	26	15
40079899	18	12-13	40096325	84	21	40112188	104	4
40079900	18	14-15	40096326	82	17	40112188	114	4
40079901	18	16	40096326	84	19	40112188	118	4
40079902	18	37	40096327	82	19	40112191	44	7
40079903	18	38	40096327	84	18	40112191	106	31
40079904	18	39	40101719	78	92	40112191	110	31
40079905	18	40	40101721	76	47	40112191	114	42
40079909	18	42	40102261	2	5	40112191	118	42
40079912	18	50	40105510	48	2	40112192	44	11
40079912	20	50	40106576	84	10	40112192	106	35
40082078	30	17	40106579	82	26	40112192	110	35
40084142	2	24	40106579	84	11	40112192	114	46
40085784	82	2	40106580	84	9	40112192	118	46
40085784	84	12	40106582	84	8	40112197	22	47
40085785	82	3	40106584	84	1	40112199	24	48
40085785	84	6	40111350	82	25	40112204	60	9
40085786	82	4	40111351	82	1	40112204	62	19
40085786	84	17	40112087	4	1-19	40112204	66	19
40085787	82	5	40112088	4	1-19	40112213	46	15
40085787	84	2	40112091	4	27	40112214	102	2

NUMERICAL INDEX OF PARTS

PART NO	PAGE	REF. NO.	PART NO	PAGE	REF. NO.	PART NO	PAGE	REF. NO.
40112215	48	3	40125844	74	25	40126221	2	33
40112216	48	5	40125850	24	50	40126222	88	28
40112218	60	10	40125851	74	7	40126222	100	8
40112218	62	20	40125852	22	8	40126223	22	34
40112218	66	20	40125854	22	9	40126244	4	8
40112219	60	11	40125856	32	22	40126259	50	4
40112219	62	21	40125857	32	34	40126263	70	3
40112219	66	21	40125858	40	64	40126264	22	37
40112228	58	9	40125861	22	2	40126265	60	3
40112234	52	20·21	40125862	12	14	40126265	64	50
40112235	52	22·23	40125864	40	51	40126265	68	88
40112240	12	7	40125864	106	19	40126267	88	12
40112242	14	58·59	40125864	110	19	40126269	22	36
40112253	12	27	40125864	114	30	40126270	30	1
40112270	8	17	40125864	118	30	40126271	30	2
40112272	8	18	40125867	22	22	40126273	30	7
40112273	8	13	40125868	22	44	40126274	30	8
40112277	2	41	40125872	58	4	40126311	74	14
40112299	4	20	40125873	60	4	40126321	4	9
40112312	4	3	40125873	64	51	40126338	22	33
40112320	76	1	40125873	68	89	40126339	32	37
40113224	12	19	40125876	24	71	40126354	74	10
40117425	10	39~44	40125926	22	46	40126355	74	1
40123247	12	4	40125927	74	13	40126356	30	3
40123248	52	31·32	40125928	74	24	40126359	34	88
40123252	32	38	40125930	4	32	40126363	38	1
40123262	22	28	40125935	34	87	40126364	26	6
40123319	22	27	40125937	22	11	40126366	12	15
40123320	22	29	40125939	4	35·36	40126367	26	1
40123321	22	30	40125943	22	18	40126372	14	56·57
40123332	32	36	40125948	70	2	40126374	22	45
40123345	24	72	40125949	70	4	40126375	32	21
40123345	34	89	40125950	4	6	40126386	32	6
40123414	22	39	40126116	38	15	40126390	22	32
40123415	22	41	40126127	72	11	40126399	18	1~3
40123416	22	38	40126150	26	4	40126400	24	49
40123547	32	16	40126151	32	15	40126401	32	39
40123555	22	40	40126152	88	14	40126404	60	12
40123626	32	14	40126155	86	10	40126405	88	11
40123627	32	33·98	40126157	24	69	40126454	12	28
40123634	22	20	40126158	24	70	40126455	14	62
40123634	32	19	40126159	24	68	40126549	74	23
40123639	32	35	40126160	22	31	40126550	74	12
40123667	32	4	40126163	32	9	40126557	62	22
40125843	32	13	40126166	22	12	40126562	70	14

NUMERICAL INDEX OF PARTS

PART NO	PAGE	REF NO.	PART NO	PAGE	REF NO.	PART NO	PAGE	REF NO.
40126563	70	13	40130017	32	45	40130066	94	9
40126582	78	54	40130018	34	48	40130067	92	3
40126594	74	5	40130019	30	6	40130068	92	2
40126642	40	66	40130020	4	10	40130277	4	4
40126643	40	68	40130021	4	38	40130283	72	5
40126724	60	13	40130022	4	39	40130284	72	4
40126724	62	23	40130024	46	2	40130285	46	13
40126724	66	23	40130024	106	3	40130285	106	13
40127041	8	9	40130024	110	3	40130285	110	13
40127041	10	10	40130024	114	14	40130285	114	24
40127049	4	33-34	40130024	118	14	40130285	118	24
40129975	2	27	40130027	16	6-16-17	40130286	46	20
40129977	2	1	40130028	16	22-23	40130287	48	1
40129979	92	7	40130030	16	28-29	40130287	106	39
40129982	2	47	40130031	16	18-19	40130287	110	39
40129983	2	37	40130034	18	1~3	40130287	116	66
40129984	38	3	40130035	12	31-32	40130287	120	66
40129985	40	65	40130036	12	42-43	40130288	48	4
40129986	38	2	40130037	76	26-27	40130289	50	1
40129988	38	4	40130038	76	15-97	40130289	108	48
40129991	40	50	40130039	76	16-17	40130289	112	53
40129991	106	18	40130040	16	4-5-14-1-5-43	40130289	116	81
40129991	110	18				40130289	120	86
40129991	114	29	40130041	12	1	40130290	50	5
40129991	118	29	40130042	12	24	40130291	70	11
40129995	2	25	40130043	12	25-26	40130409	32	25
40129999	40	67	40130044	12	25-26	40130412	38	39
40130001	38	17	40130048	16	12-13	40130413	46	1
40130003	38	70	40130049	52	14-15	40130413	106	2
40130003	40	70	40130050	52	25-26	40130413	110	2
40130004	38	69	40130051	52	12-13	40130413	114	13
40130004	40	69	40130052	52	37-38	40130413	118	13
40130005	38	71	40130053	52	39-40	40130414	46	3
40130005	40	71	40130054	52	41-42	40130414	106	4
40130006	38	88	40130055	52	29-30	40130414	110	4
40130006	40	88	40130056	52	27-28	40130414	114	15
40130007	32	23	40130057	52	8-9	40130414	118	15
40130009	32	32	40130058	52	43-44	40130593	54	57-58
40130010	32	8	40130059	52	24-94	40130620	54	61-62
40130011	32	7	40130060	54	24-94	40130702	4	2
40130012	32	41	40130061	92	4	40130704	2	43
40130013	32	1	40130062	94	18	40130705	2	44
40130014	34	51-95	40130063	94	16	40130706	2	45
40130015	36	51-95	40130064	94	7	40130819	40	87
40130016	32	44	40130065	94	11	40130820	38	89

NUMERICAL INDEX OF PARTS

PART NO	PAGE	REF. NO.	PART NO	PAGE	REF. NO.	PART NO	PAGE	REF. NO.
40130820	40	89	40133730	88	34	40136296	8	14
40130907	94	17	40133762	78	78-79	40137517	80	98
40130908	94	6	40133826	38	38	40137553	32	17
40130909	86	28	40133882	14	52	40137554	34	90
40130925	94	12	40133883	14	53	40137612	40	93
40130926	94	15	40133922	78	87	40137613	38	94
40130927	94	5	40133978	88	36	40137613	42	94
40130928	94	8	40133978	116	49	40137779	34	92
40131014	88	16	40133978	120	49	40137780	34	93
40131015	88	15	40133979	90	48	40137780	38	36
40131016	94	10	40133979	106	38	40137802	56	96-97
40131017	94	1	40133979	110	38	40137803	56	98-99
40131018	94	4	40133979	116	52	40137885	80	15-97
40131642	4	47	40133979	120	52	40137886	16	4-5-14-1- 5-43
40131643	6	48	40133982	88	35	40137921	54	65-66
40131644	10	11	40133982	104	13	40137923	16	6-16-17
40131645	6	50	40133983	90	40	40137930	16	3-7-42
40131646	6	52	40133983	104	16	40137999	56	100-101
40131649	10	12	40133985	90	47	40138044	52	1-95
40131651	10	13	40133985	104	15	40138044	56	1-95
40131653	10	34	40133985	116	51	40138418	14	75~79-80 ~85
40131654	10	18	40133985	120	51	40138419	14	75~79-80 ~85
40131655	10	21	40134017	98	6	40138420	14	75~79-80 ~85
40131656	10	30	40134018	98	13	40138421	14	75~79-80 ~85
40131657	68	49	40134019	98	14	40138422	14	75~79-80 ~85
40131658	68	50	40134020	98	9	40138423	14	75~79-80 ~85
40131659	68	54	40134097	92	9	40138461	18	1~3
40131660	68	67	40134098	92	8	40138477	68	66
40131662	68	70	40134105	38	12	40138482	6	51
40131663	68	72	40134528	38	5	40138484	66	10
40131664	68	75	40134531	16	3-7-42	40138572	104	1
40131665	68	74	40134532	4	35-36	40138573	114	1
40131666	68	76	40134534	36	33-98	40138640	10	9
40131668	66	22	40134545	4	33-34	40138898	106	1
40131887	38	46	40134795	18	28	40138933	68	81
40131952	32	24	40134805	2	29	40138933	110	47
40131954	32	40	40134805	106	43	40138933	120	82
40132118	38	78	40134805	110	43	40138934	68	83
40132118	40	78	40134805	116	61	40138934	112	49
40133301	88	3	40134805	120	81	40138934	120	61
40133503	52	18-19	40134834	2	30-31			
40133595	78	80-81	40134959	38	35			
40133612	58	1	40135153	86	13			
40133655	58	7	40135506	100	3			
40133718	16	38-39	40135507	100	2			

NUMERICAL INDEX OF PARTS

PART NO	PAGE	REF. NO.	PART NO	PAGE	REF. NO.	PART NO	PAGE	REF. NO.
40139001	86	12	40149126	24	80~83	B1310055000	12	17
40139042	14	54·55	40149127	24	80~83	B1314055000	12	18
40139455	38	14	40149128	24	80~83	B1401246000	8	7·8
40139455	54	93	40151791	74	15	B1418141H00	8	6
40139586	110	1	40152022	74	35	B1418141H00	92	1
40139587	118	1	40152295	12	29·30	B1425526000	96	48
40141066	16	4·5·14·1- 5·43	40153187	94	43	B1438512B00	8	21~28
40141331	10	6	40153188	94	42	B1504210000	44	1
40144283	26	5	40154199	22	15	B1504210000	106	37
40144287	22	4	40154832	32	12	B1504210000	110	37
40144289	22	1	40154833	36	100	B1504210000	116	48
40144890	94	34	40155958	60	30	B1504210000	120	48
40144893	94	35	40155959	62	36	B1516210D00	88	27
40144896	94	36	40155960	60	34	B152652700G	38	63
40144899	94	37	40155960	62	40	B152652700G	40	63
40144901	94	38	40155994	60	31	B1639051000	12	8
40144903	94	39	40155994	62	39	B1803019000	4	40
40144905	94	40	40155994	66	40	B1834512000A	78	95
40144907	94	41	40155995	62	41	B1834512000A	80	95
40148031	18	29	40155995	66	42	B2508047000	54	55·56
40148032	18	6·7	40163121	16	10·11	B255728000A	14	75~79·80 ~85
40148033	18	32	40163259	16	34·35	B255728000B	14	75~79·80 ~85
40148034	18	10·11	40171514	58	8	B255728000C	14	75~79·80 ~85
40148035	18	34	40171574	22	23	B255728000D	14	75~79·80 ~85
40148036	18	35	40176347	60	5	B255728000E	14	75~79·80 ~85
40148037	18	43	40176348	62	1	B3019816000	16	24·25
40148038	18	44	40176349	60	6	B3031141H00	44	3
40148039	18	4·5	40176350	62	2	B3031141H00	106	27
40148041	18	6·7	40176628	22	7	B3031141H00	110	27
40148042	18	30	40177393	66	1	B3031141H00	114	38
40148043	18	33	40177394	66	2	B3031141H00	118	38
40148044	18	36	40177400	66	41	B3112704000	60	8
40148045	18	47	40177402	66	37	B3112704000	62	24
40148046	20	48	B1132521000	2	15	B3112704000	66	24
40148047	20	49	B1203512000	4	11	B3129053000	62	32
40149115	24	76~79	B122177100A	14	67~74	B3129053000	60	22
40149116	24	76~79	B122177100B	14	67~74	B3129053000	66	32
40149117	24	76~79	B122177100D	14	67~74	B31375270A0	60	15
40149118	24	76~79	B122177100E	14	67~74	B31375270A0	62	26
40149120	24	84~87	B122177100F	14	67~74	B31375270A0	66	26
40149121	24	84~87	B122177100G	14	67~74	B3138527000	62	27
40149122	24	84~87	B122177100H	14	67~74	B3138527000	66	27
40149123	24	84~87	B125578100A	34	54	B3138527000	66	27
40149125	24	80~83	B125578100C	14	67~74	B3138527000	66	27
			B1308055000	12	16			

NUMERICAL INDEX OF PARTS

PART NO	PAGE	REF NO.	PART NO	PAGE	REF NO.	PART NO	PAGE	REF NO.
B3139527000	62	28	CQ200000000	76	100	EA9500B0100	120	53
B3139527000	66	28	CQ200000000	80	100	EA9500B0200	72	12
B3141527000	62	29	CQ202000000	6	53	EA9500B0200	80	105
B3141527000	66	29	CQ202000000	22	74	EA9500B0200	90	45
B3142527000	62	30	CQ202000000	24	74	EA9500B0200	104	27
B3142527000	66	30	CQ202000000	34	97	EA9500B0200	116	65
B3143527000	62	31	CQ202000000	36	97	EA9500B0200	120	65
B3143527000	66	31	CQ202000000	78	77	G1216870000	12	37
B3417051000	106	47	CQ252000000	8	16	HX00150000B	88	30
B3417051000	110	40	CQ252000000	22	56	HX00150000C	72	14
B3417051000	116	62	CQ252000000	24	56	HX00150000D	78	101
B3417051000	120	67	CQ252000000	78	94	HX00150000D	80	101
B3428521000	86	16	CQ300000000	80	113-114	HX00150000H	72	8
B3525357000	76	22-23	CS0800881TP	12	40-41	HX00150000M	72	9
B3534012000	76	24-25	CS1201010SH	30	22	HX003140000	28	24-25
B4122804000	38	48	CS1201010SH	38	33	HX00314000A	28	24-25
B4122804000	40	48	CS1701181TP	8	3	M13517B1400	8	19-20-31
B9113012000	90	44	CS1701181TP	10	3	M13517B1400	10	28
B91210120A0	88	18	D1231555B00	24	51	M13517B1402	88	19-42
BP500000000	78	58	D1231555B00	34	53	M13517B2000	8	19-20-31
BT0400251EB	26	12	D2112555B00	2	39	M13517B2002	90	19-42
BT0400251EB	40	75-76	D2112555B00	78	88	MAH152010A0	102	1
BT0400251EB	44	2	D2112555B00	100	10	MAT80230T00	86	3
BT0400251EB	46	6	D2112555B00	106	42	MAT80230T00	104	37
BT0400251EB	58	13	D2112555B00	110	42	MAT80230T00	116	72
BT0400251EB	104	26	D2112555B00	116	80	MAT80230T00	120	72
BT0400251EB	106	26	D2112555B00	120	80	MAT80231T00	86	4
BT0400251EB	110	26	D2464555B00	58	11	MAT80231T00	104	38
BT0400251EB	114	68	D2611555B00	78	85-86	MAT80231T00	116	73
BT0400251EB	116	68	D2629M1YC0F	40	52	MAT80231T00	120	73
BT0400251EB	118	68	D2629M1YC0F	106	20	MAT80232T00	86	5
BT0400251EB	120	68	D2629M1YC0F	110	20	MAT80232T00	104	31
BT0600401EB	72	1	D2629M1YC0F	114	31	MAT80232T00	116	74
BT0600401EB	90	38	D2629M1YC0F	118	31	MAT80232T00	120	74
BT0600401EB	104	28	E2613700000	22	26	MDFRX1600C0	88	10
BT0600401EB	116	63	E3026721000	4	41	MTJVH00540A	100	7
BT0600401EB	120	63	EA9500B0100	40	91	MTSP00700B0	100	6
BT0800501EB	72	2	EA9500B0100	46	21	NM6030001SC	70	7
BT0800501EB	90	39	EA9500B0100	70	16	NM6040002SC	82	27
BT0800501EB	104	29	EA9500B0100	72	13	NM6040002SC	84	25
BT0800501EB	116	64	EA9500B0100	78	52-104	NM6050001SD	30	21
BT0800501EB	120	64	EA9500B0100	80	52-104	NM6050001SD	40	54
CM300200001	2	7	EA9500B0100	88	8	NM6050001SD	106	22
CM300400901	68	78-79	EA9500B0100	104	17	NM6050001SD	110	22
CM300400902	68	78-79	EA9500B0100	116	53	NM6050001SD	114	33

NUMERICAL INDEX OF PARTS

PART NO	PAGE	REF NO.	PART NO	PAGE	REF NO.	PART NO	PAGE	REF NO.
NM6050001SD	118	33	PJ025100003	116	55	RE0400000K0	58	15
NM6050001SE	82	24	PJ025100003	120	55	RE0400000K0	104	12
NM6050001SE	84	26	PJ046052503	40	77	RE0400000K0	114	12
NM6050001SP	88	26	PJ046052503	46	7	RE0400000K0	118	12
NM6050001SP	104	24	PJ046052503	58	14	RE0500000K0	12	9
NM6050001SP	116	60	PJ046052503	106	8	RE0500000K0	52	102·103
NM6050001SP	120	60	PJ046052503	110	8	RE0500000K0	56	102·103
NM6060001CP	4	42	PJ046052503	114	19	RE0500000K0	60	41
NM6060001CP	32	31	PJ046052503	118	19	RE0500000K0	62	46
NM6060001CP	46	9	PJ301040502	106	46	RE0500000K0	68	48
NM6060001CP	68	65	PJ301040502	110	46	RE0700000K0	68	56
NM6060001CP	106	9	PJ304040504	44	5	RE1000000K0	30	15
NM6060001CP	110	9	PJ304040504	106	29	RE1200000K0	34	60
NM6060001CP	114	20	PJ304040504	110	29	RO037180100	60	26
NM6060001CP	118	20	PJ304040504	114	40	RO037180100	62	34
NM6060001SD	22	25	PJ304040504	118	40	RO037180100	66	34
NM6060001SE	30	18	PJ304045102	26	21	RO092270200	38	55
NS6110310SP	30	14	PJ304045102	104	10	RO092270200	40	55
NS6110310SP	54	67·68	PJ304045102	114	10	RO098240100	76	44
NS6110310SP	60	38	PJ304045102	118	10	SB108000400	12	60·61
NS6110310SP	62	45	PJ304065101	88	22	SB108000400	14	60·61
NS6110310SP	66	46	PJ304065101	104	21	SB108001900	4	24·55
NS6110310SP	76	30·31	PJ304065101	116	57	SB108001900	6	24·55
NS6680410SP	34	85	PJ304065101	120	57	SB115000200	34	73·99
PA200150900	40	84	PV150209100	72	6	SB115001000	12	44
PA200350300	58	10	PV150209100	106	44	SB115002200	14	64
PA250250900	44	12	PV150209100	110	44	SB117000700	36	73·99
PA250250900	46	5	RC0150001KP	24	53	SB120001800	4	13
PA250250900	106	36	RC0150001KP	34	59	SB120001800	12	5
PA250250900	110	36	RC0560711KP	74	17	SB120002700	4	16
PA250250900	114	47	RC0650811KP	34	71	SB125000600	24	58
PA250250900	118	47	RC0740811KP	46	23	SB130000200	34	72
PA400150200	26	16	RC0740811KP	106	15	SB310000300	6	56
PA400150200	104	5	RC0740811KP	110	15	SB310000300	10	26
PA400150200	114	5	RC0740811KP	114	26	SD0380556TL	2	16
PA400150200	118	5	RC0740811KP	118	26	SD0450401SP	60	27
PF055107000	88	21	RC2351018KP	12	35·36	SD0450401SP	62	35
PF055107000	104	20	RE0300000K0	54	59·60	SD0450401SP	66	35
PF055107000	116	56	RE0320000K0	44	4	SD0460576TP	54	53·54
PF055107000	120	56	RE0320000K0	106	28	SD0500803TP	30	16
PJ020500002	72	7	RE0320000K0	110	28	SD0550271TP	70	8
PJ020500002	106	45	RE0320000K0	114	39	SD0600346TP	68	52
PJ020500002	110	45	RE0320000K0	118	39	SD0640322TP	12	20
PJ025100003	88	20	RE0400000K0	24	57	SD0640752TP	68	61
PJ025100003	104	19	RE0400000K0	28	23	SD0650321TP	54	69·70

NUMERICAL INDEX OF PARTS

PART NO	PAGE	REF NO.	PART NO	PAGE	REF NO.	PART NO	PAGE	REF NO.
SD0800321TH	58	16	SM4030455SP	10	25	SM6030602TP	70	9
SD0800327TP	68	73	SM4030601SN	22	10	SM6030602TP	94	47
SD0800341SP	58	17	SM4040501SN	68	84	SM6031202TP	74	20
SD0800346TP	40	79	SM4040501SN	112	50	SM6040502TP	32	27
SD0800406TP	46	24	SM4040501SN	120	62	SM6040602TP	10	35
SD0800406TP	106	16	SM4040655SP	54	92	SM6040602TP	78	102
SD0800406TP	110	16	SM4040655SP	78	51	SM6040602TP	80	102
SD0800406TP	114	27	SM4040855SP	72	15	SM6040650TP	8	10
SD0800406TP	118	27	SM4041201SC	48	7	SM6040650TP	10	14
SD0802126TP	22	24	SM4041201SC	82	29	SM6040650TP	12	63
SD0900426TP	40	80	SM4041201SC	84	22	SM6040650TP	14	63
SD1000406TP	30	19	SM4041201SC	112	51	SM6040650TP	16	36-37
SD1021251SP	32	20	SM4041201SC	120	84	SM6040650TP	24	59
SK3482001SE	86	11	SM4041401SC	68	71	SM6040650TP	34	91
SK3482001SE	90	46	SM4042501SC	82	28	SM6040650TP	92	12
SK3482001SE	104	14	SM4042501SC	84	23	SM6040650TP	98	16
SK3482001SE	116	50	SM4050501SC	8	29	SM6040800SP	92	10
SK3482001SE	120	50	SM4050855SP	2	40	SM6040802TP	16	26-27
SK3482500SC	86	29	SM4050855SP	40	56	SM6040802TP	38	42
SK3482500SC	88	17	SM4050855SP	46	8	SM6040802TP	54	75-76
SK3514000SC	86	30	SM4050855SP	60	42	SM6040870SP	2	34
SK3514000SC	104	25	SM4050855SP	64	49	SM6040870SP	68	77
SK3514000SC	116	69	SM4050855SP	68	90	SM6041002TP	54	63-64
SK3514000SC	120	69	SM4050855SP	88	29	SM6041150TP	68	82
SL4040691SC	50	6	SM4050855SP	100	9	SM6041150TP	112	48
SL4040691SC	108	49	SM4050855SP	106	41	SM6041150TP	120	83
SL4040691SC	112	54	SM4050855SP	110	41	SM6041402TP	38	45
SL4040691SC	116	82	SM4050855SP	114	79	SM6041802TP	38	73
SL4040691SC	120	87	SM4050855SP	116	79	SM6041802TP	40	73
SL4040881SC	38	26	SM4050855SP	118	79	SM6041802TP	76	34
SL4041091SC	72	3	SM4050855SP	120	79	SM6043002TN	78	84
SL4041491SC	48	6	SM4051001SN	60	43	SM6050450TP	68	68
SL4041491SC	106	40	SM4051001SN	64	52	SM6050800SP	34	94
SL4041491SC	116	67	SM4051001SN	68	80	SM6050802TP	26	9
SL4051091SC	58	18	SM4051055SP	2	32	SM6050802TP	40	81
SL6051092TN	76	45	SM4051055SP	88	33	SM6050802TP	58	20
SL6052592TN	4	17	SM4051255SP	70	12	SM6051000SP	24	60
SM0030601SC	74	18	SM4051405SE	82	23	SM6051002TP	4	43
SM0050801SC	24	61	SM4051405SE	84	24	SM6051002TP	54	77-78
SM0051001SC	74	34	SM4055501SC	2	4	SM6051202TP	30	4
SM1040750TP	2	46	SM4061201SC	100	4	SM6051202TP	40	58
SM1040950TP	94	45	SM5040655SN	74	19	SM6051202TP	52	45-46
SM1061201SN	12	21	SM6030402TP	76	18-19	SM6051202TP	68	60
SM2051000SC	2	38	SM6030450TP	16	30-31	SM6051202TP	88	24
SM4021601SN	50	3	SM6030602TP	54	71-72	SM6051202TP	104	22

NUMERICAL INDEX OF PARTS

PART NO	PAGE	REF NO.	PART NO	PAGE	REF NO.	PART NO	PAGE	REF NO.
SM6051202TP	106	25	SM6061402TP	34	83	SM8060552TP	32	43
SM6051202TP	110	25	SM6061402TP	102	4	SM8060612TP	4	45
SM6051202TP	114	58	SM6061602TP	26	19	SM8060612TP	8	4
SM6051202TP	116	58	SM6061602TP	40	83	SM8060612TP	10	4
SM6051202TP	118	58	SM6061602TP	44	9	SM8060612TP	24	65
SM6051202TP	120	58	SM6061602TP	104	8	SM8060612TP	26	7
SM6051400SP	30	5	SM6061602TP	106	33	SM8060612TP	32	80
SM6051400SP	40	57	SM6061602TP	110	33	SM8060612TP	34	80
SM6051400SP	106	24	SM6061602TP	114	44	SM8060612TP	38	72
SM6051400SP	110	24	SM6061602TP	118	44	SM8060612TP	40	72
SM6051400SP	114	35	SM6061802TP	12	46-47	SM8060812TP	4	25
SM6051400SP	118	35	SM6061802TP	34	75	SM8060812TP	12	6
SM6051402TP	32	52	SM6061802TP	78	49	SM8060812TP	34	81
SM6051402TP	34	52	SM6062002TP	24	63	SM8060812TP	54	79-80
SM6051402TP	58	21	SM6062502TP	36	101	SM80608A2TP	4	14
SM6051402TP	102	3	SM6081552TP	26	18	SM8061212TP	68	64
SM6051602TP	6	49	SM6081552TP	104	7	SM8063012TR	30	13
SM6051602TP	40	59	SM6081552TP	114	7	SM8080812TP	4	22
SM6051802TP	26	8	SM6081552TP	118	7	SM9061203SE	86	26
SM6052002TP	38	30	SM6084502TP	46	11	SM9061853SR	30	20
SM6054502TN	26	20	SM6084502TP	106	11	SQ0000401MZ	76	20-21
SM6054502TN	104	9	SM6084502TP	110	11	SS3090710TP	60	28
SM6054502TN	114	9	SM6084502TP	114	22	SS4090515SP	70	5
SM6054502TN	118	9	SM6084502TP	118	22	SS4090715SP	10	46
SM6054502TP	44	10	SM8040312TP	52	47-48	SS4110615SP	60	29
SM6054502TP	106	34	SM8040312TP	54	47-48	SS4110615SP	62	5
SM6054502TP	110	34	SM8040412TP	34	76	SS4110615SP	66	36
SM6054502TP	114	45	SM8040412TP	68	69	SS4110815SP	60	37
SM6054502TP	118	45	SM8050412TP	14	48-49	SS4110815SP	62	44
SM6055002TP	46	10	SM8050412TP	38	47	SS4110815SP	66	45
SM6055002TP	106	10	SM8050412TP	40	47	SS6060220SP	54	81-82
SM6055002TP	110	10	SM8050502TP	74	21	SS6060510TP	10	31
SM6055002TP	114	21	SM8050512TP	54	85-86	SS6080320SP	16	40-41
SM6055002TP	118	21	SM8050512TP	76	46	SS6090520SP	54	83-84
SM6056552TP	58	22	SM8050612TP	22	6	SS6090612TP	34	50
SM6060550TP	78	89	SM8050612TP	34	79	SS6110480SP	54	73-74
SM6061002TP	2	42	SM8050612TP	54	49-50	SS6110480SP	92	11
SM6061002TP	44	8	SM80506A2TP	14	50-51	SS6111010TP	34	82
SM6061002TP	58	12	SM8050812TP	4	7	SS6121210SP	38	60
SM6061002TP	106	32	SM8050812TP	34	78	SS6121210SP	40	60
SM6061002TP	110	32	SM8050842TP	34	77	SS6151220SP	86	6
SM6061002TP	114	43	SM8051002TP	74	33	SS6151220SP	104	32
SM6061002TP	118	43	SM8060552TP	16	20-21	SS6151220SP	116	75
SM6061010TP	40	82	SM8060552TP	22	66	SS6151220SP	120	75
SM6061202TP	24	62	SM8060552TP	24	66	SS7090510SP	62	8

NUMERICAL INDEX OF PARTS

PART NO	PAGE	REF NO.	PART NO	PAGE	REF NO.
SS7090510SP	66	5	WP0431005SP	40	90
SS7090510SP	86	17	WP0450000SD	54	87-88
SS7090910TP	8	12	WP0450826SC	74	22
SS7110710SL	86	8	WP0460326SF	68	85
SS7110710SL	104	34	WP0460556SD	60	21
SS7110710SL	116	77	WP0460556SD	62	10
SS7110710SL	120	77	WP0460556SD	66	9
SS7110740TP	46	19	WP0480856SP	86	9
SS7111410SP	86	7	WP0480856SP	104	35
SS7111410SP	104	33	WP0480856SP	116	78
SS7111410SP	116	76	WP0480856SP	120	78
SS7111410SP	120	76	WP0501016SD	60	19
SS8080410TP	8	15	WP0501016SD	62	9
SS8110422TP	34	74	WP0501016SD	66	8
SS8111010TP	12	22	WP0531000SD	4	26
SS8151550SP	4	21	WP0531001SC	82	22
SS8660610TP	34	58	WP0531001SC	84	28
SS8660612TP	12	23	WP0550800SP	32	26
SS8661012TP	60	39	WP0550800SP	54	89-90
SS8661012TP	64	53	WP0650876SD	34	61
SS8661012TP	68	91	WP0740516SP	32	86
SS9110460CP	68	51	WP0740516SP	34	86
SS9110543CP	94	46	WP0820516SP	4	44
TA0180401M0	12	33-34	WP1612616SE	82	15
TA0290301M0	6	54	WP1612616SE	84	27
TA0500301R0	8	30	WS0510002KN	82	21
TA0500301R0	10	27	WS0510002KN	84	29
TA0620504R0	8	5	WS0510002KN	88	25
TA0620504R0	10	5	WS0510002KN	104	23
TA0620504R0	14	65-66	WS0510002KN	116	59
TA1030402R0	2	19	WS0510002KN	120	59
TA1250406R0	2	21	WT1780011KP	38	40
TA1270502R0	2	20	WZ1052010KP	26	11
TA1550902R0	2	35			
TA1650406R0	2	9			
WP0320501SC	74	26			
WP0320501SE	70	10			
WP0371016SD	10	19			
WP0430800SD	22	21			
WP0430800SD	76	32-33			
WP0430801SC	48	8			
WP0430801SC	112	52			
WP0430801SC	120	85			
WP0431005SP	32	30			
WP0431005SP	38	90			