

MODEL : DDL-8100B-7/DDL-8100B-7R

List No : 1627-03

# PARTS LIST

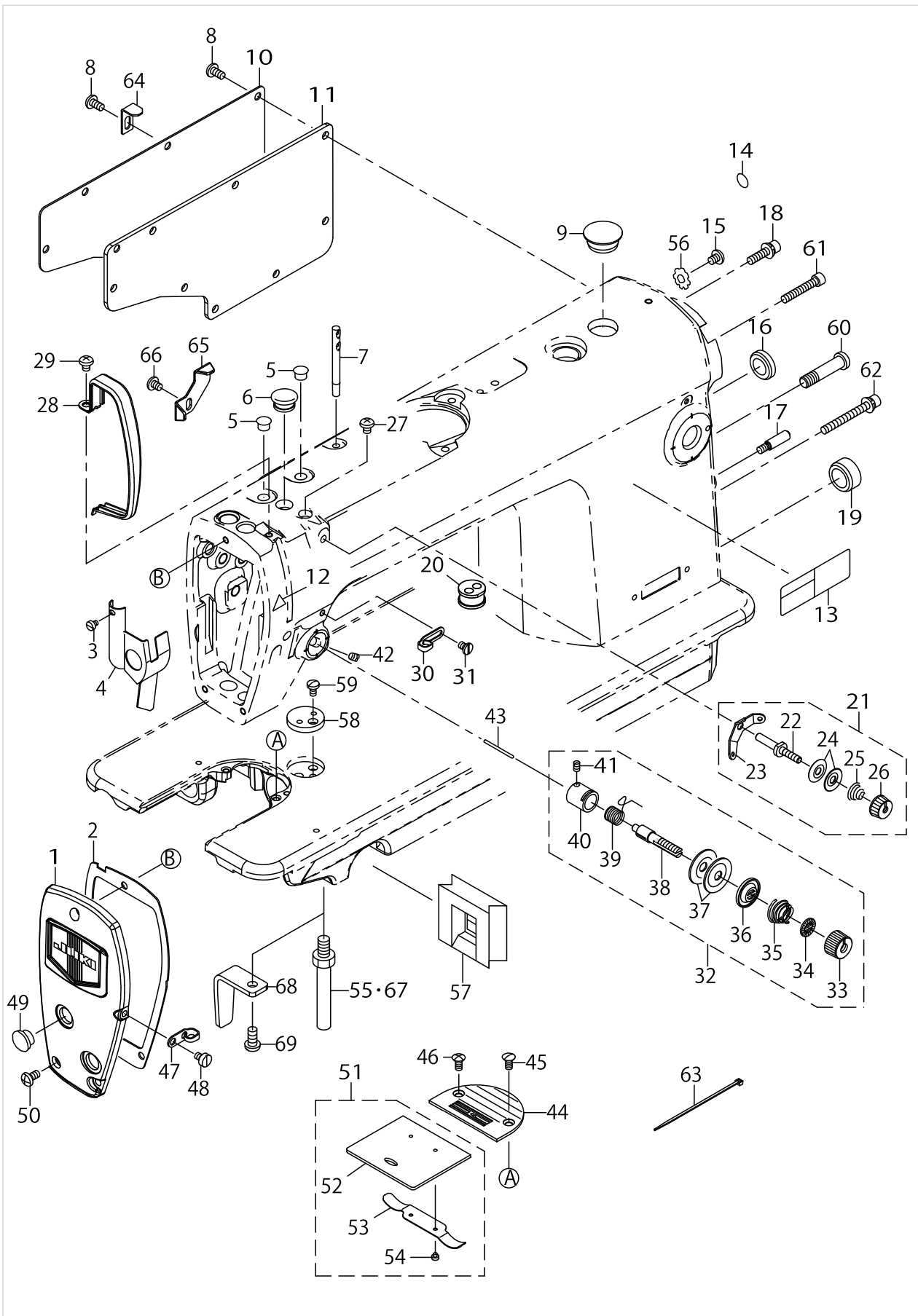
Published:09/10/2017

## CONTENTS

---

MACHINE FRAME & MISCELLANEOUS COVER COMPONENTS .....	1
BOBBIN WINDER COMPONENTS .....	5
MAIN SHAFT & THREAD TAKE-UP LEVER COMPONENTS .....	7
NEEDLE BAR, UPRIGHT SHAFT & HOOK DRIVING SHAFT COMPONENTS .....	9
HAND LIFTER COMPONENTS .....	11
FEED MECHANISM COMPONENTS .....	15
THREAD TRIMMER COMPONENTS (FOR DDL-8100B-7) .....	19
THREAD TRIMMER COMPONENTS (FOR DDL-8100B-7R) .....	23
AUTOMATIC REVERSE FEED COMPONENTS .....	25
WIPER COMPONENTS .....	27
OIL LUBRICATION COMPONENTS .....	29
OIL RESERVOIR COMPONENTS .....	31
PSC UNIT .....	33
LIST FOR INFORMATION OF CHANGE .....	35
HOW TO MAKE USE OF THIS PARTS LIST .....	36

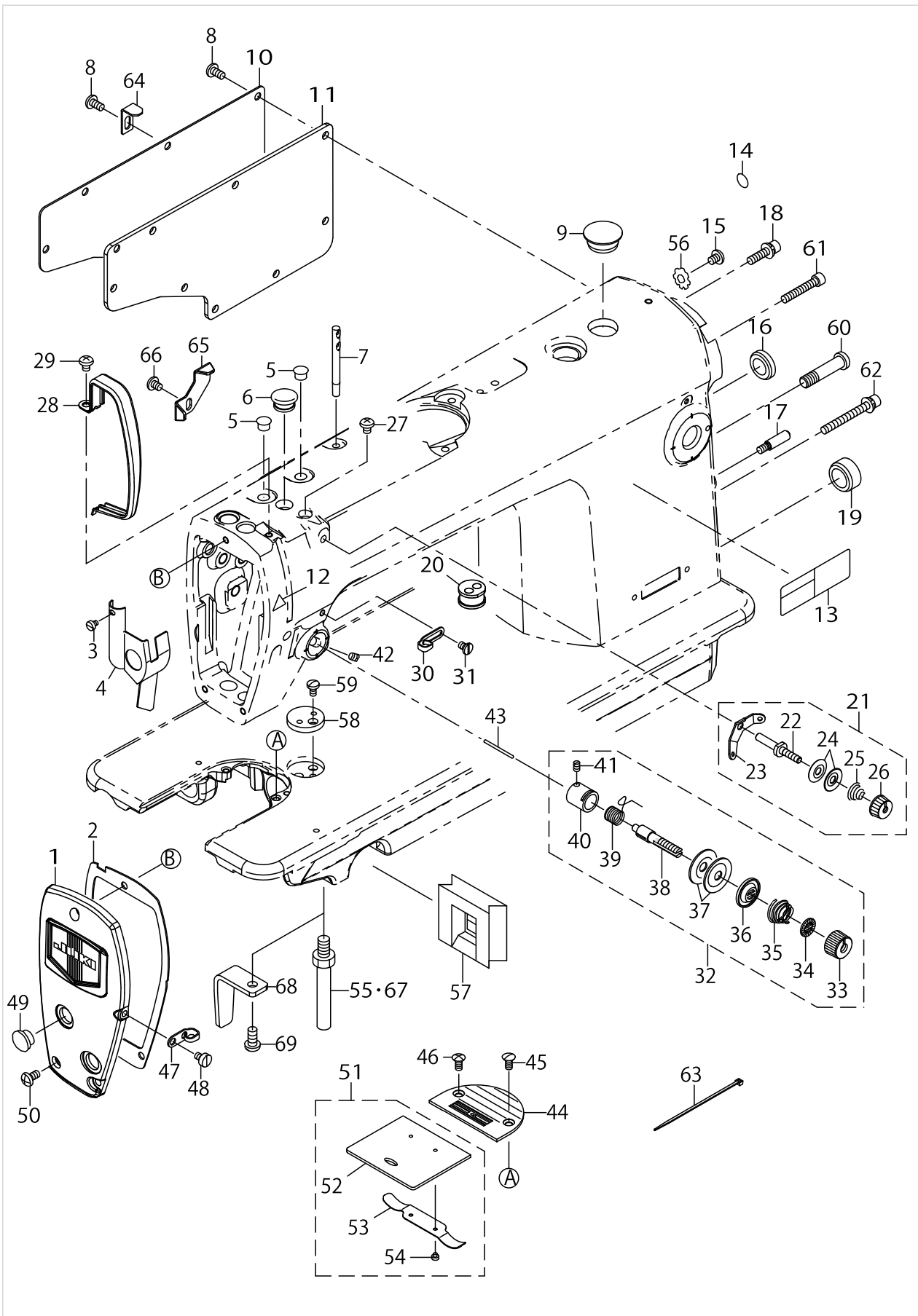
MACHINE FRAME & MISCELLANEOUS COVER COMPONENTS



MACHINE FRAME & MISCELLANEOUS COVER COMPONENTS

No.	Parts No.	Parts name	Remarks	Level	Cons	Qty
1	40102097	FACE_PLATE_ASM.				1
2	40012126	FACE PLATE PACKING				1
3	SS6080320SP	SCREW 1/8-44 L=2.5				1
4	22900757	FACE PLATE OIL SHIELD ASM.				1
5	TA0850604R0	RUBBER PLUG				2
6	TA1250705R0	RUBBER PLUG				1
7	22958300	NEEDLE THREAD GUIDE PIN				1
8	SS4120915SP	SCREW 3/16-28 L=9				8
9	TA2100904R0	RUBBER PLUG				1
10	22900401	WINDOW PLATE				1
11	40012129	SIDE PLATE PACKING				1
12	CM300200001	ATTENTION SEAL				1
13	40102261	SAFETY_LABEL_S				1
14	22901805	GROUND MARK				1
15	SS4120615SP	SCREW 3/16-28 L=6				1
16	TA2000502R0	RUBBER PLUG				1
17	40115888	LEVER_STOPPER_ASSY				1
18	SL6052092TN	SCREW				1
19	TA2101002R0	RUBBER PLUG				1
20	40111022	MAGNET CORD RUBBER				1
21	22945463	THREAD TENSION ASM. NO.1				1
22	22945414	THREAD TENSION POST		*		1
23	22945604	THREAD TENSION GUIDE		*		1
24	22945802	THREAD TENSION DISK		*		2
25	22945505	THREAD TENSION SPRING		*		1
26	22945703	THREAD TENSION NUT		*		1
27	SS4120615SP	SCREW 3/16-28 L=6				1
28	22900609	THREAD TAKE-UP LEVER COVER				1
29	SS4120615SP	SCREW 3/16-28 L=6				1
30	22920508	ARM THREAD GUIDE A				1
31	22921001	SCREW				1
32	40126850	THREAD TENSION ASM.				1
33	22921308	THREAD TENSION NUT		*		1
34	22921407	ROTATION STOPPER		*		1
35	40112420	THREAD TENSION SPRING M		*		1
36	22921803	DISK STOPPER		*		1
37	22921506	THREAD TENSION DISK		*		2
38	22921209	THREAD TENSION POST		*		1
39	22921605	THREAD TAKE-UP SPRING		*		1
40	22945307	THREAD TENSION POST BASE		*		1
41	SS8090670SP	SCREW 9/64-40 L=5.5		*		1
42	SS8150710TP	SCREW 15/64-28 L=7				1
43	22920904	TENSION RELEASING				1
44	B1109552000	THROAT PLATE				1
45	SS2110920TP	SCREW 11/64-40 L=8.5				1
46	SS2110915SP	SCREW 11/64-40 L=8.5				1
47	22920607	ARM THREAD GUIDE B				1

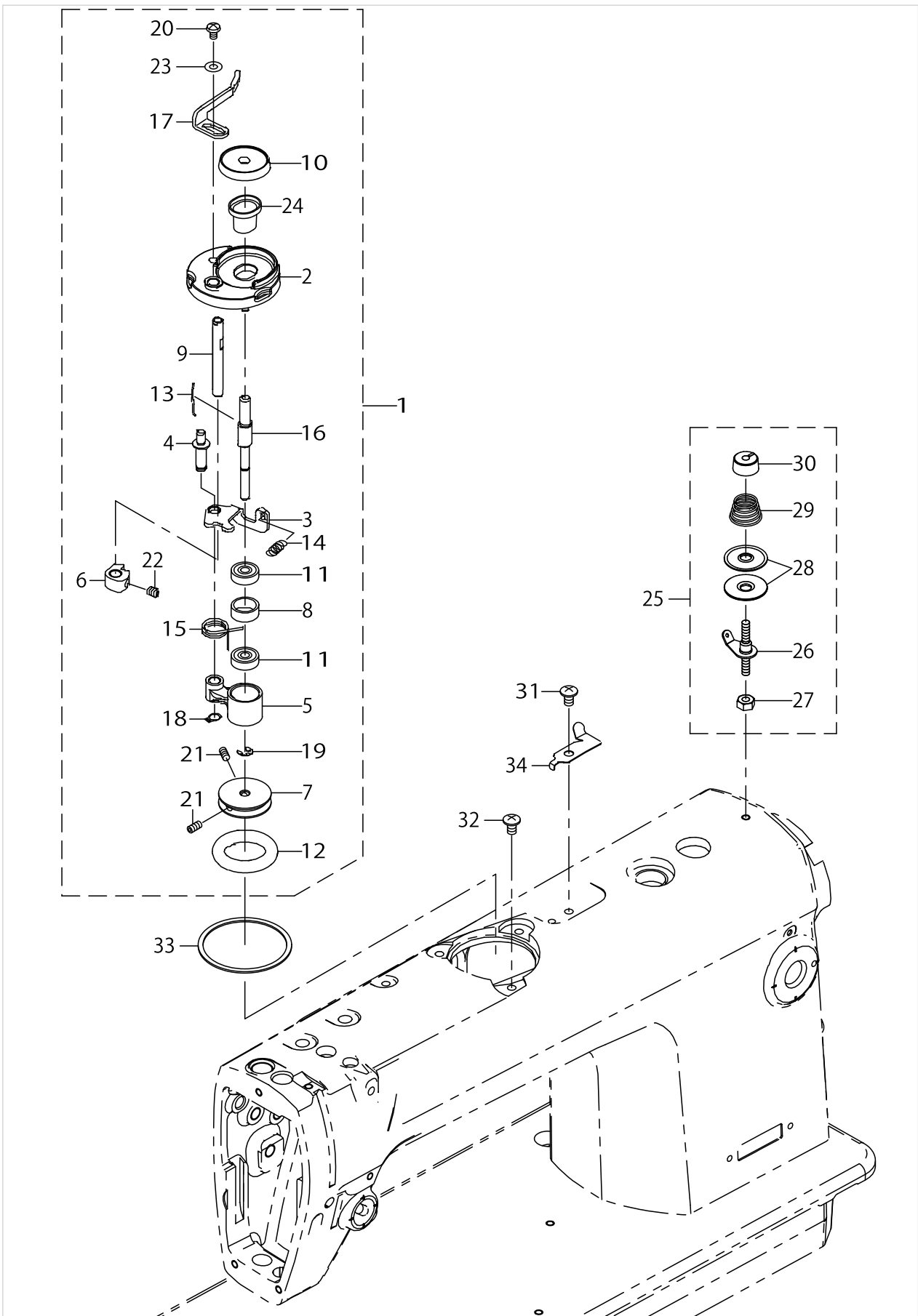
MACHINE FRAME & MISCELLANEOUS COVER COMPONENTS



MACHINE FRAME & MISCELLANEOUS COVER COMPONENTS

No.	Parts No.	Parts name	Remarks	Level	Cons	Qty
48	SS6110610TP	SCREW 11/64-40 L=6				1
49	TA1250406R0	RUBBER PLUG D=12.5 L=4				2
50	SS4120915SP	SCREW 3/16-28 L=9				3
51	22901250	SLIDE PLATE ASM.				1
52	22901201	SLIDE PLATE		*		1
53	22901300	SLIDE PLATE SPRING		*		1
54	SS6060210SP	SCREW 3/32-56 L=1.9		*		2
55	22901003	BED SCREW STUD	FOR DDL-8100B-7			4
56	WT0530002KS	TOOTHED WASHER D=5.3				1
57	22935407	BED OIL SHIELD RUBBER	FOR DDL-8100B-7			1
58	40099083	RULER STOP SEAT				1
59	SS7110720SP	SCREW 11/64-40 L=7				2
60	40126305	SCREW_5/16-24_35				1
61	SM6053052TN	SCREW				1
62	SL6054592TN	SCREW				1
63	EA9500B0100	CABLE BAND				1
64	40126308	CORD_CLAMP				1
65	40111896	CORD_CLAMP	FOR 0B			1
66	SS4120615SP	SCREW 3/16-28 L=6	FOR 0B			1
67	22901003	BED SCREW STUD	FOR DDL-8100B-7R			3
68	40132099	BED_STD_R	FOR DDL-8100B-7R			1
69	SS4151215SP	SCREW 15/64-28 L=12	FOR DDL-8100B-7R			1

BOBBIN WINDER COMPONENTS



BOBBIN WINDER COMPONENTS

No.	Parts No.	Parts name	Remarks	Level	Cons	Qty
1	40110976	BOBBIN_WINDER_UNIT				1
2	26260109	BTW_BASE		*		1
3	26260208	BTW_CAM_PLATE		*		1
4	26260307	BTW_BASE_SHAFT		*		1
5	26260406	BTW_SHAFT_BASE		*		1
6	26260505	BTW_CAM_LEVER		*		1
7	26260604	BTW_WHEEL		*		1
8	26260802	BTW_BEARING_SPACER		*		1
9	26261008	BTW_LEVER_SHAFT		*		1
10	26261206	BTW_SPACER		*		1
11	26261305	BTW_BEARING		*		2
12	26261503	BTW_WHEEL_RUBBER		*	☆	1
13	26261602	BOBBIN_SPRING		*	☆	1
14	26261701	BTW_SPRING		*		1
15	40011144	BTW_TORSION_SPRING		*		1
16	40110975	BTW_SHAFT		*		1
17	40021933	BTW_LEVER		*		1
18	RC0560711KP	RETAINING RING		*		1
19	RE0400000K0	E-RING 4		*		1
20	SM5040655SN	SCREW		*		1
21	SM8040802TP	SCREW M4X8		*		2
22	SM8050502TP	SCREW M5 L=5		*		1
23	WP0450826SC	WASHER 4.5X10X0.8		*		1
24	40119475	OIL_GUARD		*		1
25	40110731	BOBBIN_THREAD_TENSION_ASSY				1
26	40110734	BOBBIN_THREAD_ROD_ASSY		*		1
27	NS6120630SP	NUT 3/16-28		*		1
28	22921506	THREAD TENSION DISK		*		2
29	D7133555B00	CONNECTING ROD SPRING		*		1
30	22945703	THREAD TENSION NUT		*	☆	1
31	SM0050801SC	SCREW				1
32	SM0050801SC	SCREW				3
33	40163521	PACKING				1
34	40037008	THREAD_CUTTER				1

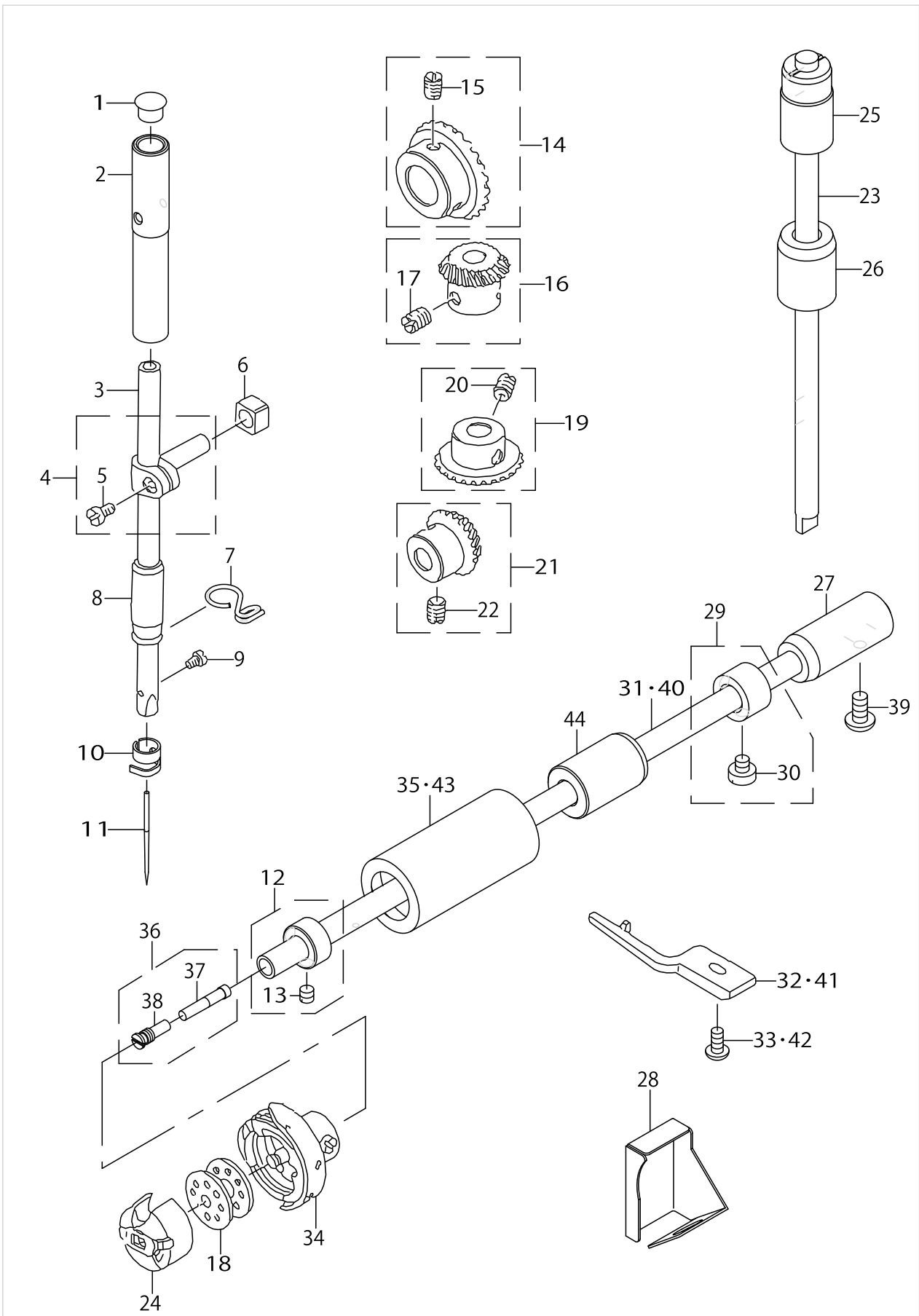




MAIN SHAFT & THREAD TAKE-UP LEVER COMPONENTS

No.	Parts No.	Parts name	Remarks	Level	Cons	Qty
1	SS8151150TP	SCREW 15/64-28 L=10.5				1
2	22919559	THREAD TAKE-UP CRANK SHAFT ASM.				1
3	11002904	ROLLER FELT				1
4	40103560	LINK_THREAD_TAKE-UP_LENER-H_ASM.				1
5	22918064	THREAD_TAKE-UP_LEVER_ASM.		*		1
6	22918403	NEEDLE BEARING A	SELECTIVE PARTS	*		2
7	22918502	NEEDLE BEARING B	SELECTIVE PARTS	*		2
8	22918601	NEEDLE BEARING C	SELECTIVE PARTS	*		2
9	22918700	NEEDLE BEARING D	SELECTIVE PARTS	*		2
10	40109126	NEEDLE_BAR_CRANK_H		*		1
11	22906606	NEEDLE BAR CRANK ROD		*		1
12	22918304	LEFT SCREW		*		1
13	40110390	COUNTER_WEIGHT_ASM.				1
14	SS7681650TP	SCREW 9/32-28 L=16		*		1
15	40110376	COUNTER_WEIGHT		*		1
16	SS8681650TP	SCREW 9/32-28 L=16		*		1
17	SS8660610TP	SCREW 1/4-40 L=6		*		2
18	RO044240100	RUBBER RING		*		1
19	22910053	FEED DRIVE ECCENTRIC CAM ASM.				1
20	SS6661110SP	SCREW 1/4-40 L=11		*		2
21	22910004	FEED DRIVE ECCENTRIC CAM		*		1
22	RC1850001KP	SNAP RING 18.5				1
23	40137502	THRUST_COLLAR_ASM				1
24	SS8660610TP	SCREW 1/4-40 L=6		*		2
25	22903207	MAIN SHAFT BUSHING FRONT				1
26	B1215552000	OIL ADJUSTING COLLAR				1
27	22903306	BUSHING INTERMEDIATE				1
28	SS4090615SP	SCREW 9/64-40 L=6				2
29	22919203	OIL PROTECTING RUBBER				1
30	40126410	DRIVING_WHEEL				1
31	SS8660610TP	SCREW 1/4-40 L=6				2
32	40111424	FILTER				1
33	SM80608A2TP	SCREW M6 L=8				2
34	40126307	HAND_PULLEY				1
35	40126297	MAIN_SHAFT_BUSHING				1
36	40126300	COUPLING_ASSY				1
37	40130872	AC SERVO MOTOR				1
38	SL6052592TN	BOLT				3
39	SL6051492TN	BOLT				3
40	40130875	MOTOR BASE				1
41	RO029180100	RUBBER RING				1
42	22910103	THRUST COLLAR				1
43	B1213552000	OIL ADJUSTING PIN				1
44	40126299	MAIN_SHAFT				1
45	40139216	OIL_SEAL				1

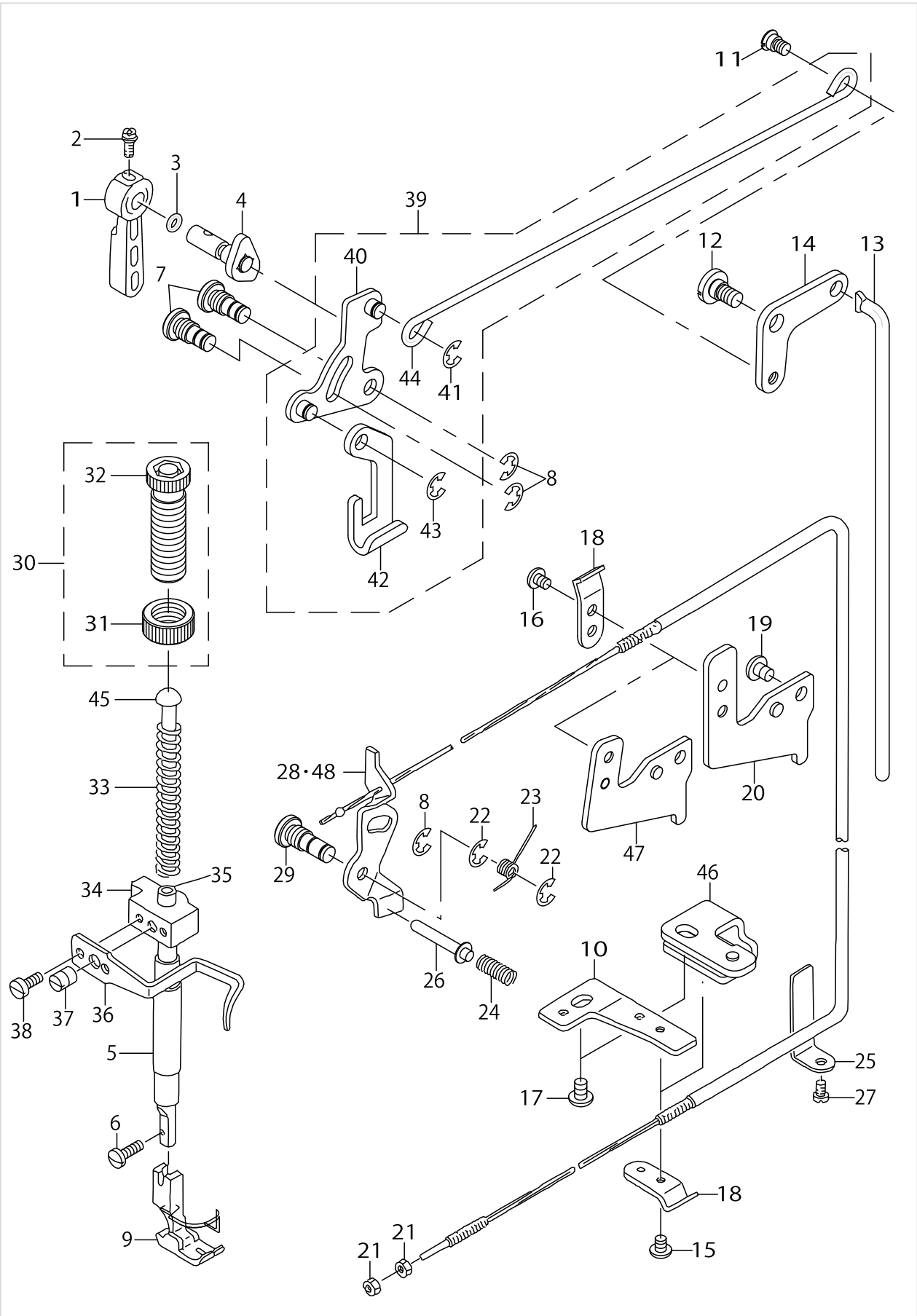
NEEDLE BAR, UPRIGHT SHAFT & HOOK DRIVING SHAFT COMPONENTS



NEEDLE BAR, UPRIGHT SHAFT & HOOK DRIVING SHAFT COMPONENTS

No.	Parts No.	Parts name	Remarks	Level	Cons	Qty
1	TA0850604R0	RUBBER PLUG				1
2	22906101	NEEDLE BAR BUSHING UPPER				1
3	22939508	NEEDLE BAR				1
4	22906457	NEEDLE BAR HOLDER ASM.				1
5	SS6090670TP	SCREW 9/64-40 L=6		*		1
6	40090058	SLIDE BLOCK				1
7	40023223	NEEDLE BAR THREAD GUIDE				1
8	22970313	HOOK DRIVING SHAFT BUSH FRONT				1
9	SS7080510TP	SCREW 1/8-44 L=4.5			☆	1
10	22970404	NEEDLE BAR THREAD HOOK				1
11	MDB100B1400	NEEDLE DBX1 #14			☆	1
12	22917058	THRUST COLLAR ASM. FRONT				1
13	SS8110410TP	SCREW 11/64-40 L= 3.5		*		2
14	40090002	UPPER LARGE BEVEL GEAR ASM.				1
15	SS8660810TP	SCREW 1/4-40 L=8		*		2
16	40090003	UPPER SMALL BEVEL GEAR ASM.				1
17	SS8660810TP	SCREW 1/4-40 L=8		*		2
18	22932909	BOBBIN			☆	1
19	40090004	LOWER LARGE BEVEL GEAR ASM.				1
20	SS8660810TP	SCREW 1/4-40 L=8		*		2
21	40090005	LOWER SMALL BEVEL GEAR ASM.				1
22	SS8660810TP	SCREW 1/4-40 L=8		*		2
23	22905004	UPRIGHT SHAFT				1
24	11038759	BOBBIN CASE ASM.			☆	1
25	22905103	UPRIGHT SHAFT BUSHING UPPER				1
26	22905202	UPRIGHT SHAFT BUSHING LOWER				1
27	40137498	LOWER_SHAFT_BUSHING_REAR				1
28	22942601	OIL SHIELD	FOR DDL-8100B-7			1
29	40136014	THRUST COLLAR ASM.				1
30	SS6110420TP	SCREW 11/64-40 L=4.8		*		2
31	22916001	HOOK DRIVING SHAFT	FOR DDL-8100B-7			1
32	22942502	INNER HOOK PRESSER	FOR DDL-8100B-7			1
33	SS4110915TP	SCREW 11/64-40 L=9	FOR DDL-8100B-7			1
34	40153440	HOOK ASM.			☆	1
35	22916100	HOOK DRIVING SHAFT BUSH FRONT	FOR DDL-8100B-7			1
36	22916555	OIL SEAL SCREW ASM.				1
37	11015906	OIL WICK		*		1
38	22916506	SET SCREW		*		1
39	SS4120915SP	SCREW 3/16-28 L=9				1
40	40127192	HOOK_DRIVING_SHAFT	FOR DDL-8100B-7R			1
41	22916407	BOBBIN CASE POSITIONING FINGER	FOR DDL-8100B-7R			1
42	SS6111210SP	SCREW 11/64-40 L=12	FOR DDL-8100B-7R			1
43	40127177	HOOK_DRIVING_SHAFT_F	FOR DDL-8100B-7R			1
44	40127191	HOOK_DRIVING_SHAFT_M	FOR DDL-8100B-7R			1

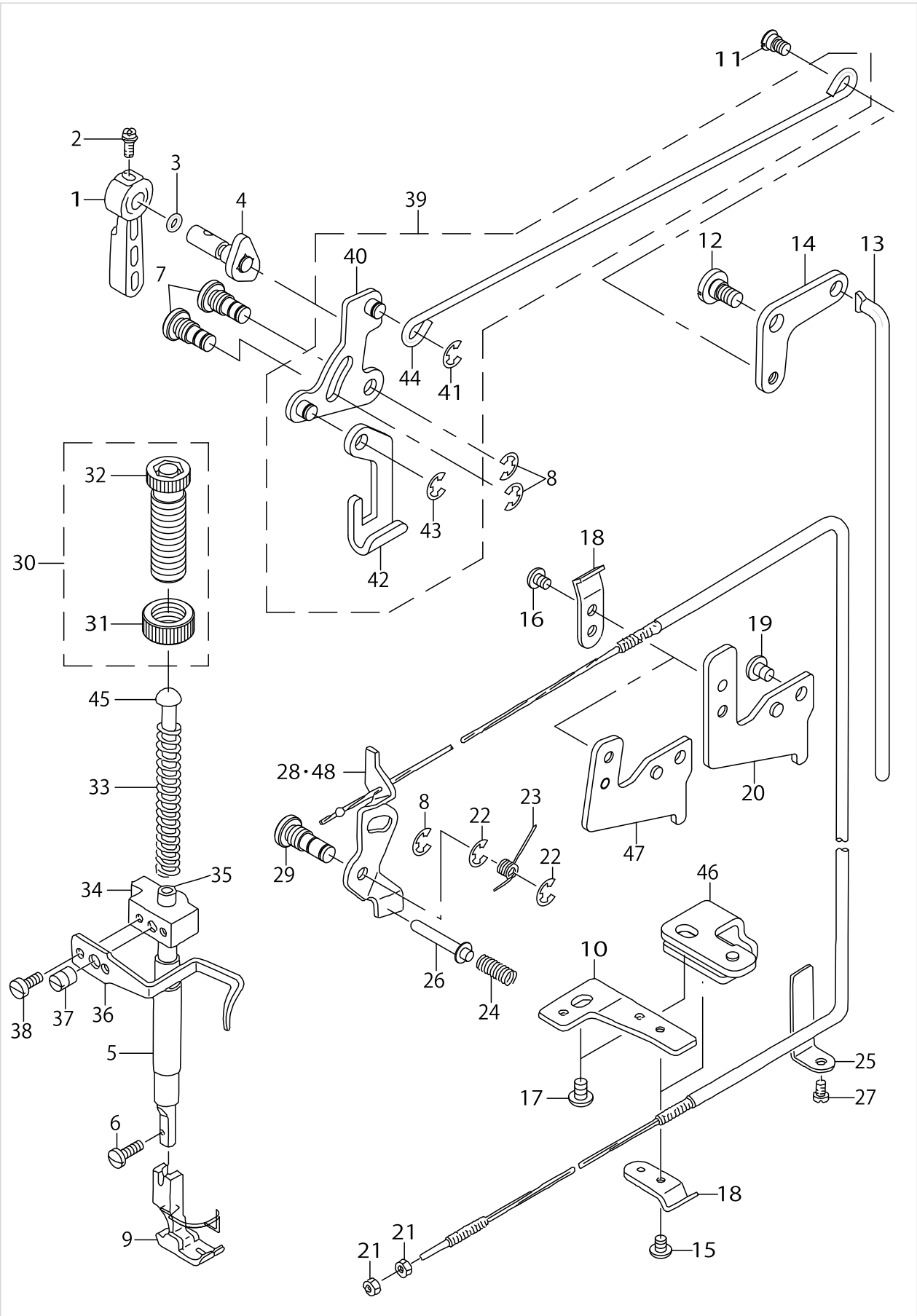
HAND LIFTER COMPONENTS



HAND LIFTER COMPONENTS

No.	Parts No.	Parts name	Remarks	Level	Cons	Qty
1	22907802	HAND LIFTER				1
2	B1521555000	SCREW				1
3	RO037180100	RUBBER RING				1
4	22908552	HAND LIFTER CAM ASM.				1
5	40060989	PRESSER BAR BUSHING LOWER				1
6	SS7091110TP	SCREW 9/64-40 L=10.5			☆	1
7	22908701	LINK SHAFT				2
8	RE0500000K0	E-RING				3
9	B15240120BA	PRESSER FOOT ASM.				1
10	22944706	WIRE PRESSER BASE LOWER	FOR DDL-8100B-7			1
11	22908909	HINGE SCREW				1
12	SD0720331SP	HINGE SCREW D=7.24 H=3.3				1
13	22909006	KNEE LIFTER CONNECTING ROD				1
14	22908800	KNEE LIFTER LINK				1
15	SS4110515SP	SCREW 11/64-40 L=5				1
16	SS4110515SP	SCREW 11/64-40 L=5				1
17	SS4150915SP	SCREW 15/64-28 L=9				1
18	22944508	WIRE PRESSER A				2
19	SS4120615SP	SCREW 3/16-28 L=6				1
20	22944607	WIRE PRESSER BASE UPPER	FOR DDL-8100B-7			1
21	NS6620310SP	NUT 3/16-32				2
22	RE0500000K0	E-RING				2
23	22920201	RETURN SPRING				1
24	22920409	THREAD RELEASE PIN SPRING				1
25	22945109	WIRE CABLE SUPPORT	FOR DDL-8100B-7			1
26	22920300	THREAD RELEASE SUPPORTING PIN				1
27	SS4120615SP	SCREW 3/16-28 L=6	FOR DDL-8100B-7			1
28	22944854	THREAD RELEASE WIRE ASM.	FOR DDL-8100B-7			1
29	22920102	TENSION RELEASE SHAFT				1
30	22907554	PRESSER SPRING REGULATOR ASM.¥n				1
31	22907604	PRESSER SPRING REGULATOR NUT		*		1
32	22907505	PRESSER SPRING REGULATOR		*		1
33	22907406	PRESSER SPRING				1
34	40098388	PRESSER BAR GUIDE BRACKET				1
35	40017805	PRESSER BAR				1
36	22907307	THREAD GUIDE				1
37	SS8660810TP	SCREW 1/4-40 L=8				1
38	SS6090910SP	SCREW 9/64-40 L=9				2
39	22908354	KNEE LIFTING CROSS ROD ASM.				1
40	22908156	LIFTING LINK ASM.		*		1
41	RE0500000K0	E-RING		*		1
42	22908008	LIFTING PLATE		*		1
43	RE0500000K0	E-RING		*		1
44	22908305	KNEE LIFTER SIDE ROD		*		1
45	22907703	PRESSER GUIDE BAR				1
46	40127189	WIRE_PRESSER_SUPPORT	FOR DDL-8100B-7R			1
47	40132067	WIRE_PRESSER_BASE	FOR DDL-8100B-7R			1

HAND LIFTER COMPONENTS

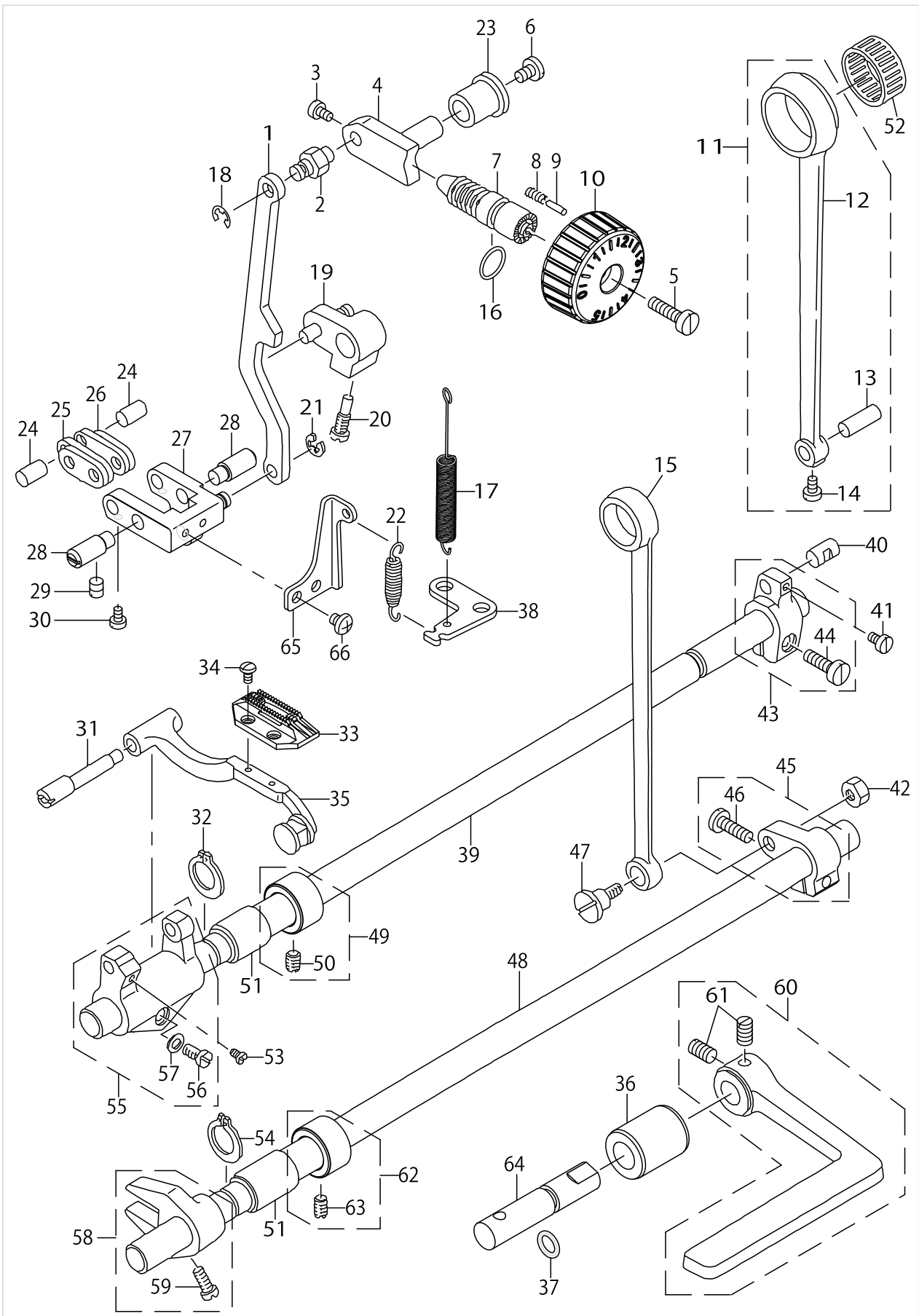


## HAND LIFTER COMPONENTS

No.	Parts No.	Parts name	Remarks	Level	Cons	Qty
48	40132068	THREAD_RELEASE_WIRE_ASM.	FOR DDL-8100B-7R			1



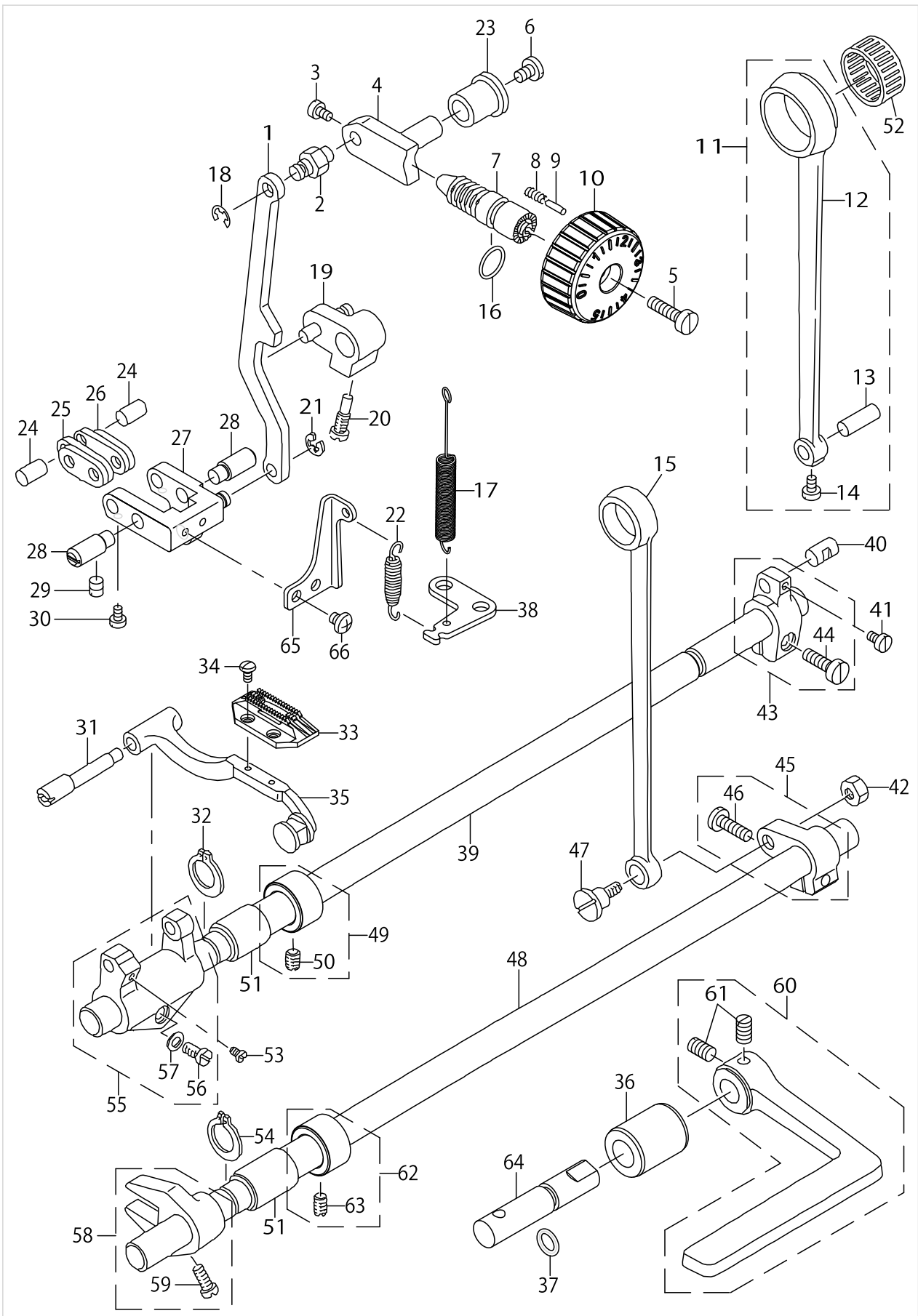
FEED MECHANISM COMPONENTS



FEED MECHANISM COMPONENTS

No.	Parts No.	Parts name	Remarks	Level	Cons	Qty
1	22941108	FEED ADJUST ROD				1
2	22911507	WALKING FOOT PIN C				1
3	SS6090670TP	SCREW 9/64-40 L=6				2
4	22911606	FEED REGULATOR				1
5	SS6121860SP	SCREW 3/16-28 L=18				1
6	SS7120770SH	SCREW 3/16-28 L=7				1
7	22911804	FEED REGULATOR SCREW				1
8	22912109	FEED REGULATOR PIN SPRING				1
9	22912000	FEED REGULATOR PIN				1
10	40101726	FEED_DIAL				1
11	22910251	CONNECTING ROD ASM.				1
12	22910202	ROCKER SHAFT CONNECTING ROD		*		1
13	22911101	WALKING FOOT PIN C		*		1
14	SS6090620TP	SCREW		*		1
15	22915003	CONNECTING ROD				1
16	RO092270200	RUBBER RING				1
17	11010311	LEVER SPRING				1
18	RE0500000K0	E-RING				1
19	22912257	FEED REVERSE ARM ASM.				1
20	22912505	FEED REVERSE ARM SCREW				1
21	RE0500000K0	E-RING				1
22	11037405	SPRING				1
23	11009800	FEED REGULATOR BUSHING				1
24	22910905	WALKING FOOT PIN A				2
25	40089548	CONNECTING LINK B				2
26	40093417	CONNECTING LINK A				2
27	22940951	FEED ADJUST LINK ASM.				1
28	22910806	ADJUST LINK FULCRUM SHAFT A				2
29	SS6151220SP	SCREW 15/64-28 L=11.5				2
30	SS6090620TP	SCREW				2
31	22940803	FEED BAR SHAFT				1
32	RC0150001KP	RETAINING RING 13.8				1
33	40133950	FEED DOG M				1
34	SS4080620TP	SCREW 1/8-44 L=6				2
35	22940753	FEED BAR ASM.				1
36	22912802	FEED LEVER SHAFT BUSHING				1
37	RO078190100	RUBBER RING				1
38	22913701	FEED SPRING HOOK				1
39	40133779	FEED ROCKER SHAFT				1
40	22911002	WALKING FOOT PIN B				1
41	SS6090620TP	SCREW				1
42	NS6680410SP	NUT 9/32-28				1
43	40110379	ASSY_FEED_ROCKER_ARM				1
44	SS6121610SP	SCREW 3/16-28 L=15.5		*		1
45	40109422	FEED_ARM_ASM				1
46	SS6121210SP	SCREW 3/16-28 L=12		*		1
47	SD1000801SH	HINGE SCREW D=10 H=8				1

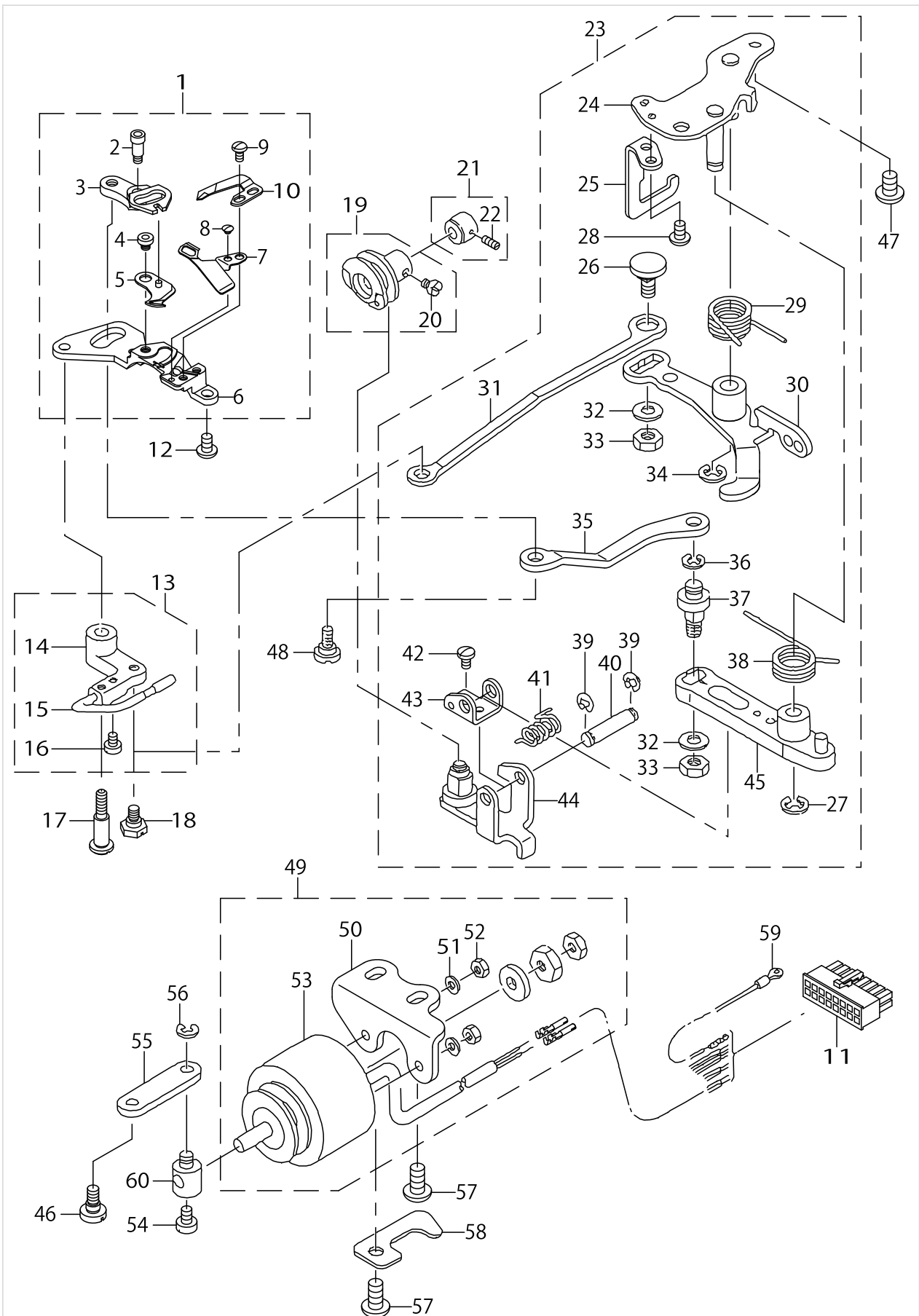
# FEED MECHANISM COMPONENTS



FEED MECHANISM COMPONENTS

No.	Parts No.	Parts name	Remarks	Level	Cons	Qty
48	22915201	FEED DRIVING SHAFT				1
49	40137504	THRUST_COLLAR_ASM				1
50	SS8660610TP	SCREW 1/4-40 L=6		*		2
51	22913008	FEED ROCKER SHAFT BUSHING				2
52	40111897	BEARING				1
53	SS7110740TP	SCREW 11/64-40 L=7				1
54	RC0150001KP	RETAINING RING 13.8				1
55	22940654	FEED ROCKER ASM.				1
56	SS7121410TP	SCREW 3/16-28 L=14		*		1
57	WP0480856SP	WASHER 4.8X8.4X0.8		*		1
58	22915359	DRIVING SHAFT CRANK ASM.				1
59	SS7111120SP	SCREW 11/64-40 L=10.5		*		1
60	40102264	FEED_REVER_ASM.				1
61	SM8061010TP	SCREW		*		2
62	40137504	THRUST_COLLAR_ASM				1
63	SS8660610TP	SCREW 1/4-40 L=6		*		2
64	40100812	FEED LEVER SHAFT				1
65	22941306	REGULATOR LINK SPRING HOOK				1
66	SS4110515SP	SCREW 11/64-40 L=5				2

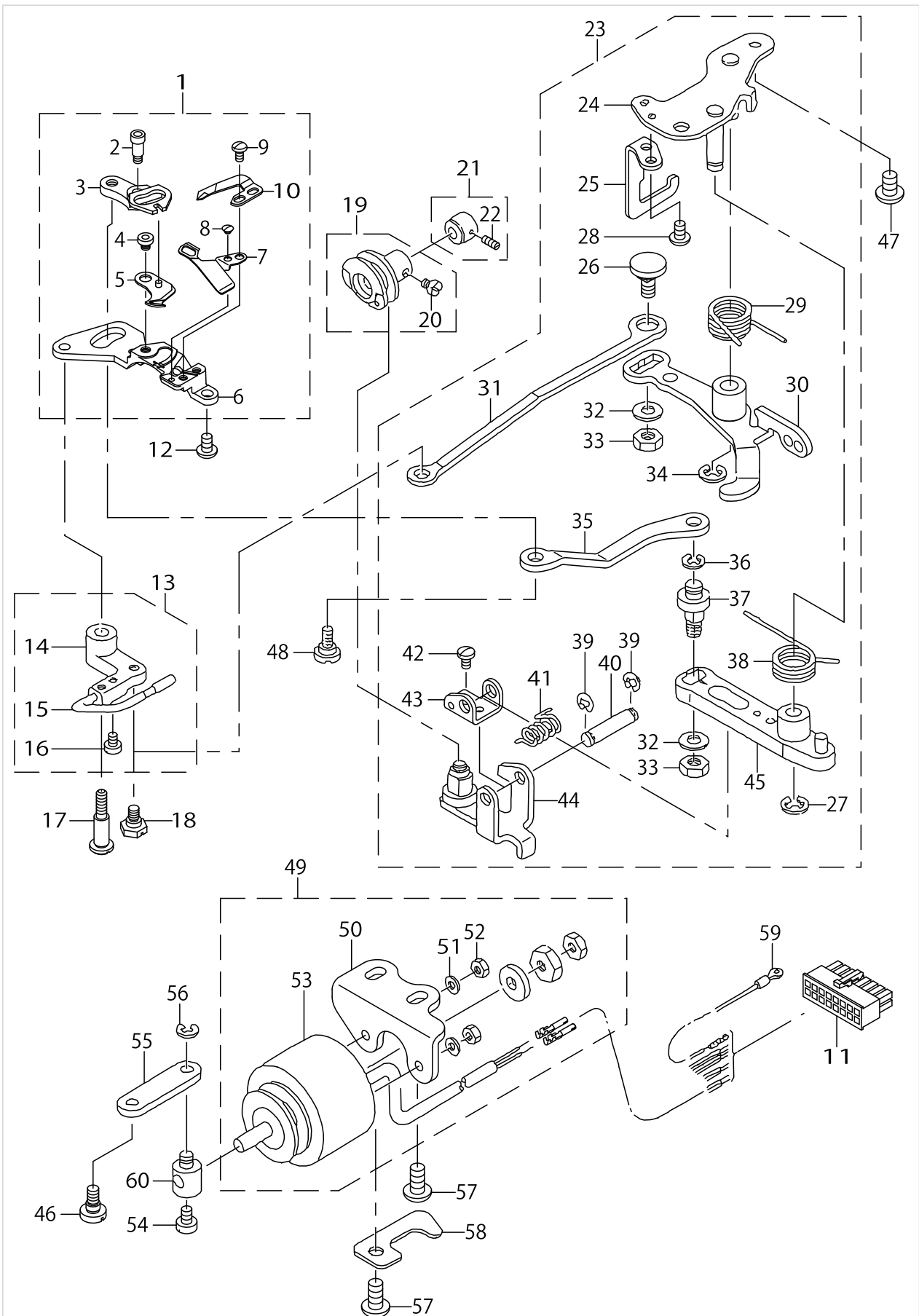
THREAD TRIMMER COMPONENTS (FOR DDL-8100B-7)



THREAD TRIMMER COMPONENTS (FOR DDL-8100B-7)

No.	Parts No.	Parts name	Remarks	Level	Cons	Qty
1	40130579	KNIFE UNIT				1
2	SD0460703TP	HINGE SCREW D=4.6 H=7		*		1
3	22948202	FORKED BASE FOR KNIFE		*		1
4	11040409	MOVING KNIFE HINGE SCREW		*		1
5	11040052	MOVING KNIFE ASM.		*	☆	1
6	40130580	KNIFE INSTALLING BASE		*		1
7	22947808	THREAD GUIDE FOR KNIFE		*	☆	1
8	SS2060210SP	SCREW 3/32-56 L=2.3		*		1
9	SS4080620TP	SCREW 1/8-44 L=6		*		2
10	D2406555D0H	COUNTER KNIFE		*	☆	1
11	HK034610140	HOUSING 14P				1
12	SS4110715SP	SCREW 11/64-40 L=7				1
13	22950257	PICKER ARM ASM.				1
14	22950208	PICKER ARM		*		1
15	22950356	HOOK THREAD PRESSER ASM.		*	☆	1
16	SS6090510TP	SCREW 9/64-40 L= 5.0		*		2
17	SD0641451SP	HINGE SCREW D= 6.35 H=14.5				1
18	SD0630275SP	HINGE SCREW D= 6.35 H= 2.7				1
19	22950851	THREAD TRIMMER CAM ASM.¥n				1
20	SS6660610TP	SCREW 1/4-40 L=6		*		2
21	22950950	CAM COLLAR ASM.				1
22	SS8110520TP	SCREW 11/64-40 L= 4.5		*		1
23	22949762	THREAD TRIMMER DRIVING UNIT				1
24	22949754	BASE PLATE ASM.		*		1
25	22950703	DRIVING ARM STOPPER		*		1
26	22950000	PICKER LINK PIN		*		1
27	RE0600000K0	E-RING 6		*		1
28	SS4110715SP	SCREW 11/64-40 L=7		*		2
29	22949408	CLUTCH SPRING		*		1
30	40087245	CLUTCH PLATE ASM.		*		1
31	22950109	PICKER LINK		*		1
32	WP0621016SH	WASHER		*		2
33	NS6150430SP	NUT 15/64-28		*		2
34	RE0600000K0	E-RING 6		*		1
35	22948301	MOVING KNIFE LINK		*		1
36	RE0500000K0	E-RING		*		1
37	22948400	MOVING KNIFE LINK PIN		*		1
38	22949309	KNIFE RETURN SPRING B		*		1
39	RE0400000K0	E-RING 4		*		2
40	22949101	ROLLER FULCRUM SHAFT		*		1
41	22949200	ROLLER RETURN SPRING		*		1
42	SS7090610SP	SCREW 9/64-40 L=6		*		1
43	22949002	ROLLER ARM SEAT		*		1
44	11040953	ROLLER ARM ASM.		*		1
45	11040854	KNIFE DRIVING ARM ASM.		*		1
46	SD0600361SP	HINGE SCREW D=6 H=3.6				1
47	SS4150915SP	SCREW 15/64-28 L=9				2

THREAD TRIMMER COMPONENTS (FOR DDL-8100B-7)

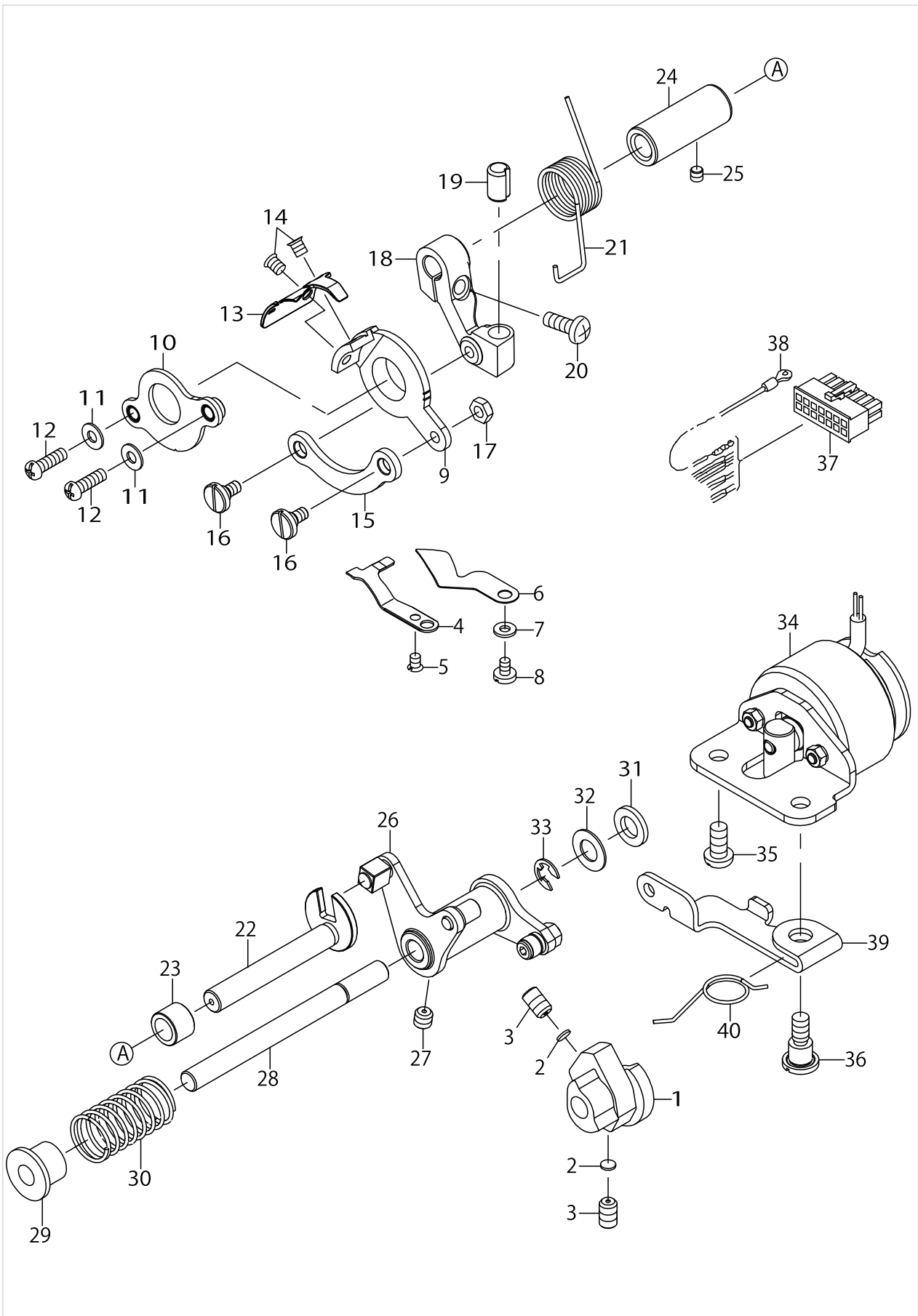


THREAD TRIMMER COMPONENTS (FOR DDL-8100B-7)

No.	Parts No.	Parts name	Remarks	Level	Cons	Qty
48	SD0640631TP	HINGE SCREW D=6.35 H=6.3				1
49	40111031	THREAD TRIMMER SOLENOID ASM.				1
50	22951404	SOLENOID BASE		*		1
51	WS0410002KR	SPRING WASHER M4		*		2
52	NM6040001SE	NUT M4		*		2
53	40110995	THREAD TRIMMER SOLENOID		*		1
54	SS6110710TP	SCREW 11/64-40 L=6.5				1
55	22949903	CLUTCH LINK				1
56	RE0500000K0	E-RING				1
57	SS4151215SP	SCREW 15/64-28 L=12				2
58	22924807	PIPE HOLDER LOWER				1
59	40112907	GROUND WIRE ASM.				1
60	22951008	SOLENOID PIN				1



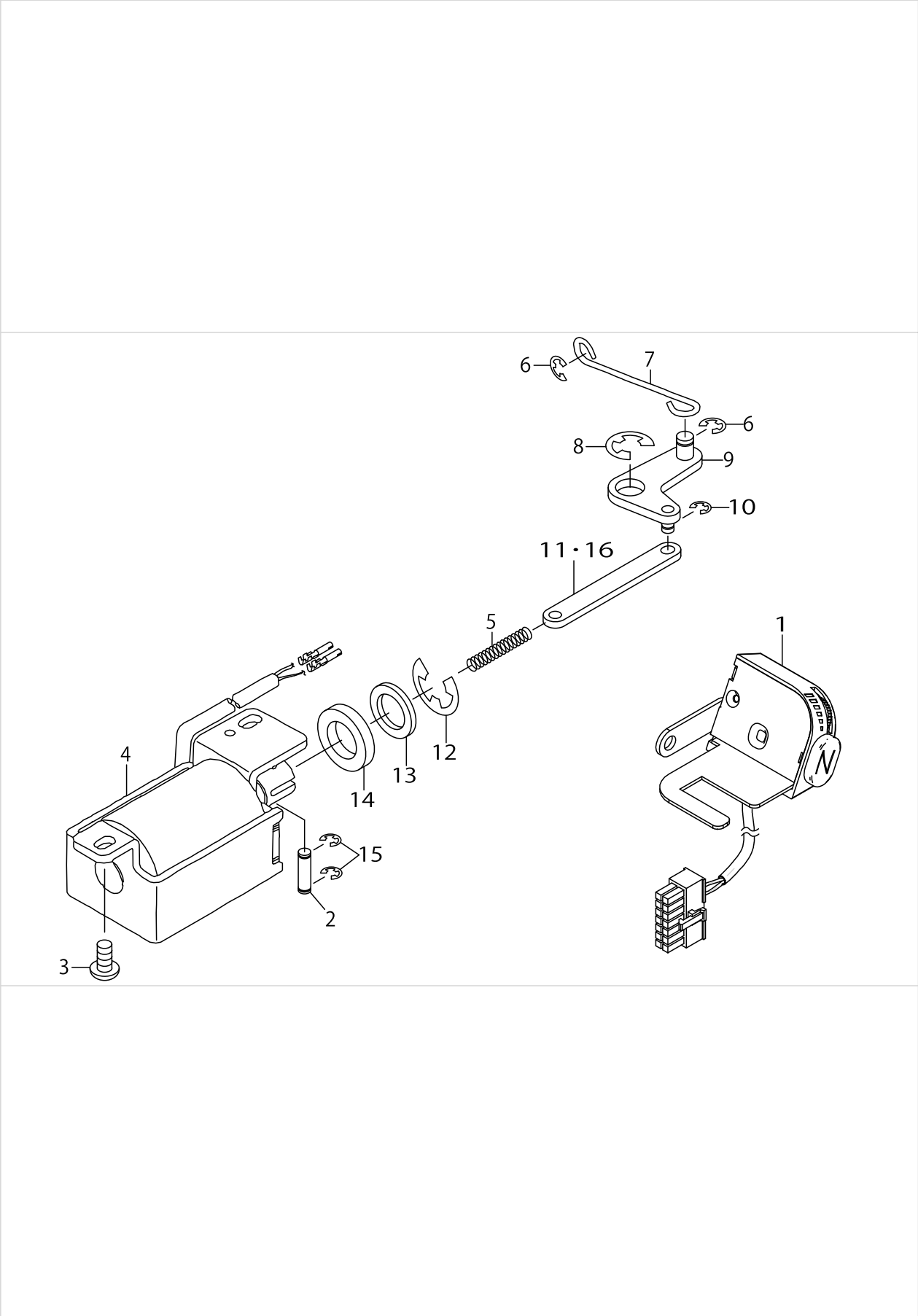
THREAD TRIMMER COMPONENTS (FOR DDL-8100B-7R)



THREAD TRIMMER COMPONENTS (FOR DDL-8100B-7R)

No.	Parts No.	Parts name	Remarks	Level	Cons	Qty
1	40127152	THREAD_TRIMMER_CAM				1
2	40127153	SPACER				2
3	SS8661012TP	SCREW				2
4	40127154	COUNTER_KNIFE			☆	1
5	SS1090520TP	SCREW 9/64-40 L=5				1
6	40127155	LOWER_THREAD_FINGER			☆	1
7	WP0371016SD	WASHER 3.7X8X1				1
8	SS7090610SP	SCREW 9/64-40 L=6				1
9	40127156	MOVING_KNIFE HOLDER				1
10	40127157	KNIFE HOLDER PRESSER ASSY				1
11	WP0450826SC	WASHER 4.5X10X0.8				2
12	SS4111415SP	SCREW 11/64-40 L=14				2
13	40127160	MOVING_KNIFE			☆	1
14	11351806	SCREW				2
15	40127161	THREAD_TRIMMER_CONNECTING_ROD				1
16	SD0600291TP	HINGE SCREW D=6 H=2.9				2
17	NS6110350SP	NUT 11/64-40				1
18	40127162	THREAD_TRIMMER_LEVER				1
19	40127163	LEVER_STOPPER			☆	1
20	SS4121415SP	SCREW 3/16-28 L=14				1
21	40127164	SPRING				1
22	40127165	FORKED_SHAFT				1
23	40127166	COLLAR				1
24	40127167	FORKED_SHAFT_BUSH				1
25	SS8110422TP	SCREW 11/64-40 L=4				1
26	40127168	THREAD_TRIMMER_CAM_LEVER_ASSY				1
27	SS8660612TP	SCREW 1/4-40 L=6				1
28	40127180	THREAD_TRIMMER_CAMLEVER_SHAFT				1
29	40127181	COLLAR				1
30	40127182	SPRING				1
31	40127183	CUSHION				1
32	WP0820816SD	WASHER 8.2X16X0.8				1
33	RE0600000K0	E-RING 6				1
34	40132143	THREAD_TRIMMER_SOLENOID_ASM				1
35	SS4151215SP	SCREW 15/64-28 L=12				1
36	SD0850751SP	HINGE SCREW D= 8.50 H=7.5				1
37	HK034610140	HOUSING 14P				1
38	40112907	GROUND WIRE ASM				1
39	40127188	THREAD_RELEASE_LEVER				1
40	40127190	RETURN_SPRING				1

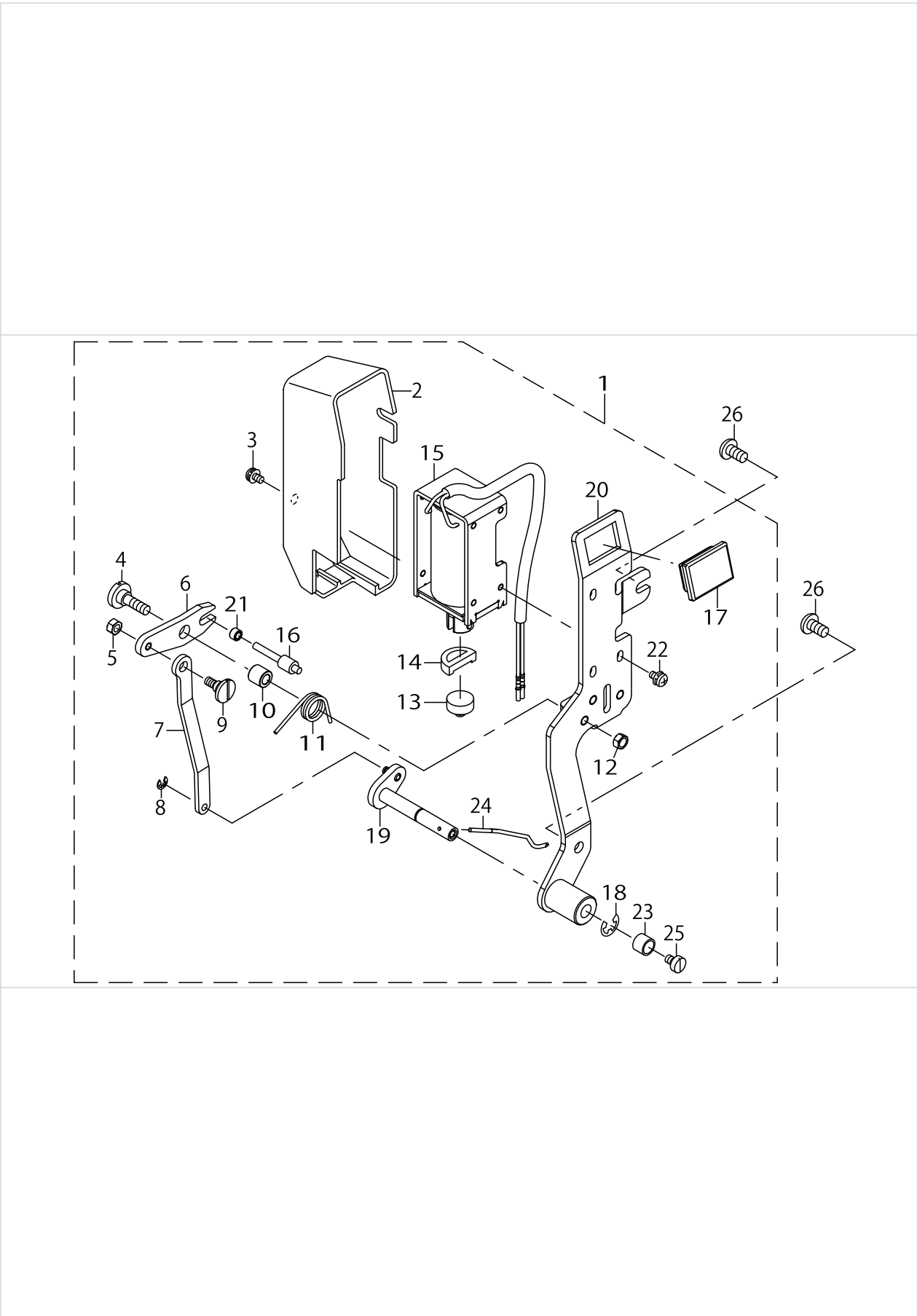
AUTOMATIC REVERSE FEED COMPONENTS



AUTOMATIC REVERSE FEED COMPONENTS

No.	Parts No.	Parts name	Remarks	Level	Cons	Qty
1	40130874	LED BT UNIT			☆	1
2	22953509	PLUNGER ARM PIN				1
3	SS4151215SP	SCREW 15/64-28 L=12				2
4	40130594	REVERSE_FEED_SOLENOID				1
5	22954002	PLUNGER SPRING				1
6	RE0500000KP	E-RING 5				2
7	22953806	REVERSE FEED CONNECTING SHAFT				1
8	RE0900000K0	E-RING 9				1
9	22953657	CONNECTING ARM ASM.				1
10	RE0400000KP	E-RING 4				1
11	22953905	REVERSE FEED CONNECTING LINK	FOR DDL-8100B-7			1
12	RE1200000K0	E-RING 12				1
13	WP1602616SZ	WASHER 16X24X2.6				1
14	22953400	RUBBER PLUNGER				1
15	RE0400000K0	E-RING 4				2
16	40132066	CONNECTING_LINK	FOR DDL-8100B-7R			1

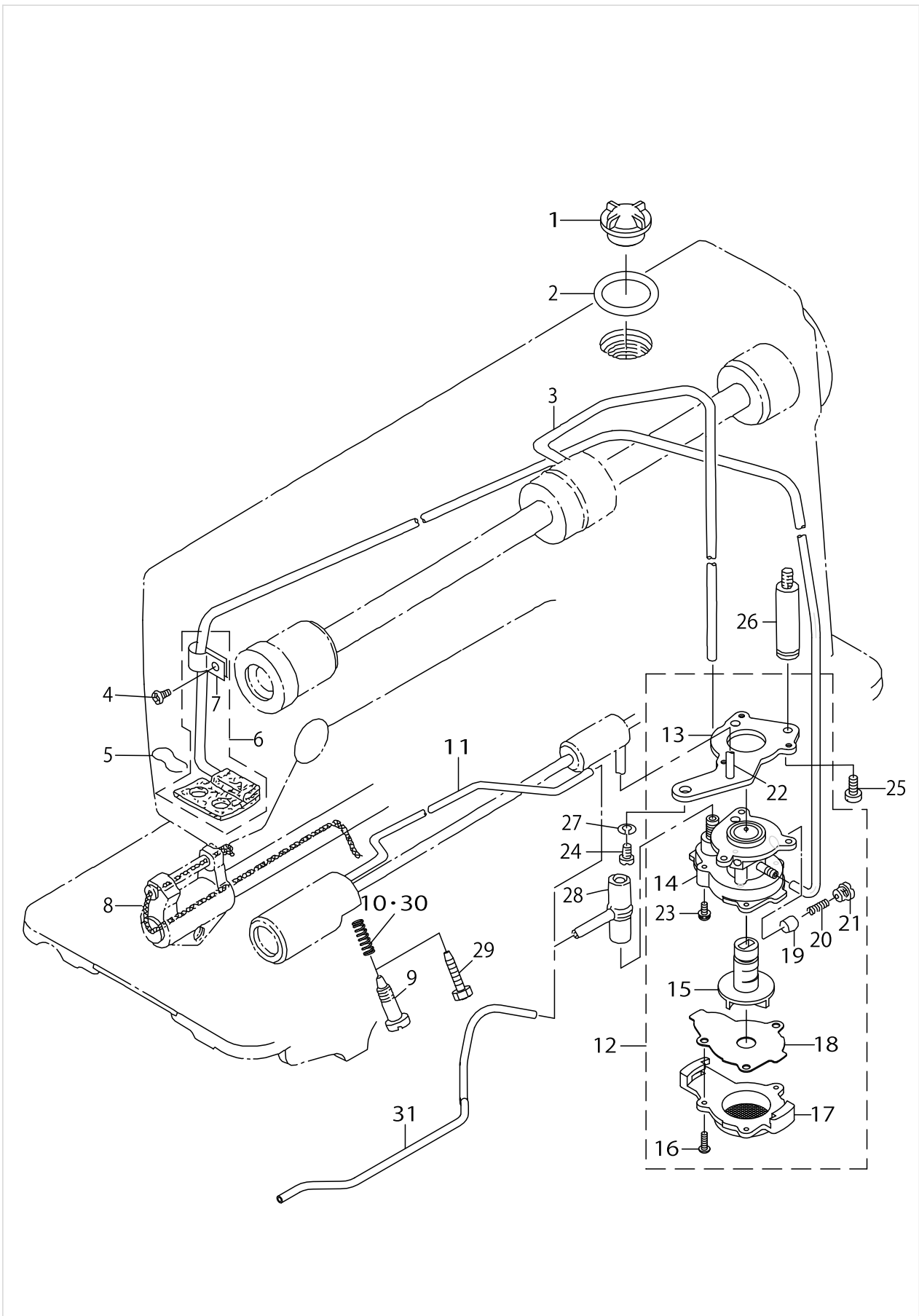
WIPER COMPONENTS



WIPER COMPONENTS

No.	Parts No.	Parts name	Remarks	Level	Cons	Qty
1	40131891	WIPER ASM.				1
2	22955504	WIPER COVER		*		1
3	SL4030691SC	SCREW M3 L=6		*		1
4	SD0650321TP	HINGE SCREW D=6.5 H=3.2		*		1
5	NS6090310SP	NUT 9/64-40		*		1
6	22956106	WIPER LINK A		*		1
7	22956403	WIPER LINK B		*		1
8	RE0250000K0	E-RING 2.5		*		1
9	22956908	WIPER LINK B HINGE SCREW		*		1
10	22956205	WIPER HINGE SCREW COLLAR		*		1
11	22956304	WIPER SPRING		*		1
12	NS6110310SP	NUT 11/64-40		*		1
13	22955900	WIPER RUBBER A		*		1
14	22956007	WIPER RUBBER B		*		1
15	40110999	WIPER SOLENOID		*		1
16	22957104	WIPER SOLENOID SHAFT		*		1
17	40086678	WIPER_SW_RUBBER		*		1
18	RE0500000K0	E-RING		*		1
19	40041419	WIPER LINK C ASM.		*		1
20	11110152	WIPER BASE ASM.		*		1
21	22957203	WIPER LINK COLLAR		*		1
22	SL4030641SE	SCREW		*		3
23	22956809	WIPER COLLAR		*		1
24	40135586	WIPER_B7		*		1
25	SS6090540SP	SCREW 9/64-40 L=5.0		*		1
26	SS4120915SP	SCREW 3/16-28 L=9				2

OIL LUBRICATION COMPONENTS

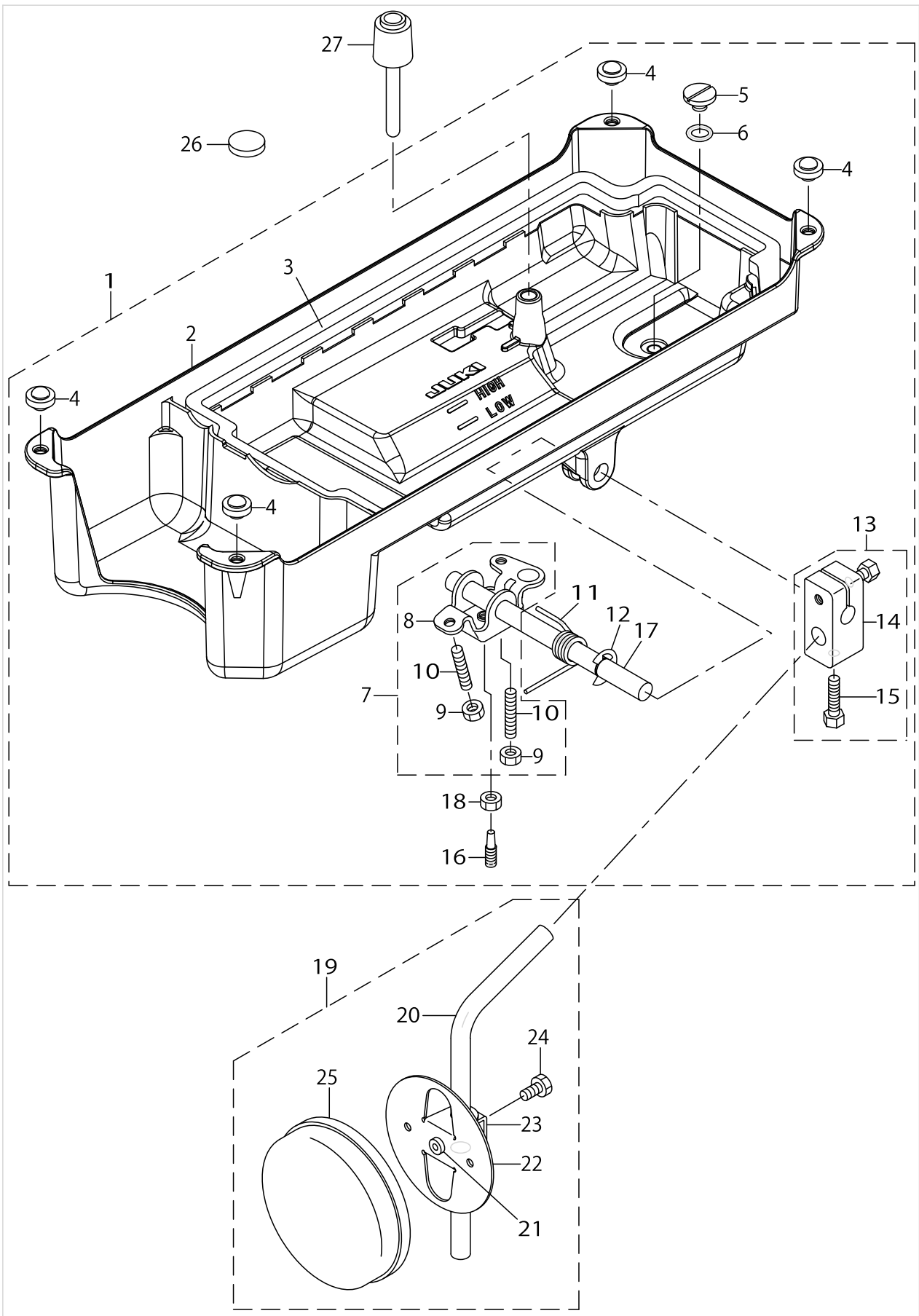


OIL LUBRICATION COMPONENTS

No.	Parts No.	Parts name	Remarks	Level	Cons	Qty
1	22924708	OIL SIGHT WINDOW				1
2	RO195240100	RUBBER RING				1
3	22924401	MAIN SHAFT OIL TUBE				1
4	SS4120615SP	SCREW 3/16-28 L=6				1
5	22925101	OIL FELT PRESSER				1
6	22924153	OIL RETURN TUBE ASM.				1
7	22924302	HOLDER		*		1
8	CQ252000000	OIL WICK				0.3
9	22925002	OIL ADJUSTING SCREW	FOR DDL-8100B-7			1
10	22924906	SPRING	FOR DDL-8100B-7			1
11	22924500	OIL TUBE	FOR DDL-8100B-7			1
12	22923056	LUBRICATING OIL PUMP ASM.				1
13	22923312	OIL PUMP INSTALLING BASE		*		1
14	22923015	OIL PUMP		*		1
15	22923700	OIL PUMP IMPELLER		*		1
16	SE4301041SR	SCREW D=3 L=10		*		1
17	22923205	LUBRICATING OIL PUMP COVER		*		1
18	22923809	OIL PUMP IMPELLER COVER		*		1
19	22923403	PLUNGER		*		1
20	22923601	PLUNGER SPRING		*		1
21	22923502	PLUNGER SCREW		*		1
22	22923908	HOOK DRIVING SHAFT OIL TUBE		*		1
23	SL4030851SF	SCREW M3 L=8		*		3
24	SS4150915SP	SCREW 15/64-28 L=9				1
25	SS6111010TP	SCREW 11/64-40 L=9.5				1
26	22947105	OIL PUMP SUPPORT				1
27	WS0651310KP	SPRING WASHER 6.5X11X1.3				1
28	22924609	RUBBER JOINT				1
29	40127178	OIL_REGULATOR_SCREW	FOR DDL-8100B-7R			1
30	40127179	OIL_REGULATOR_SPRING	FOR DDL-8100B-7R			1
31	40127193	HOOK_OIL_TUBE	FOR DDL-8100B-7R			1

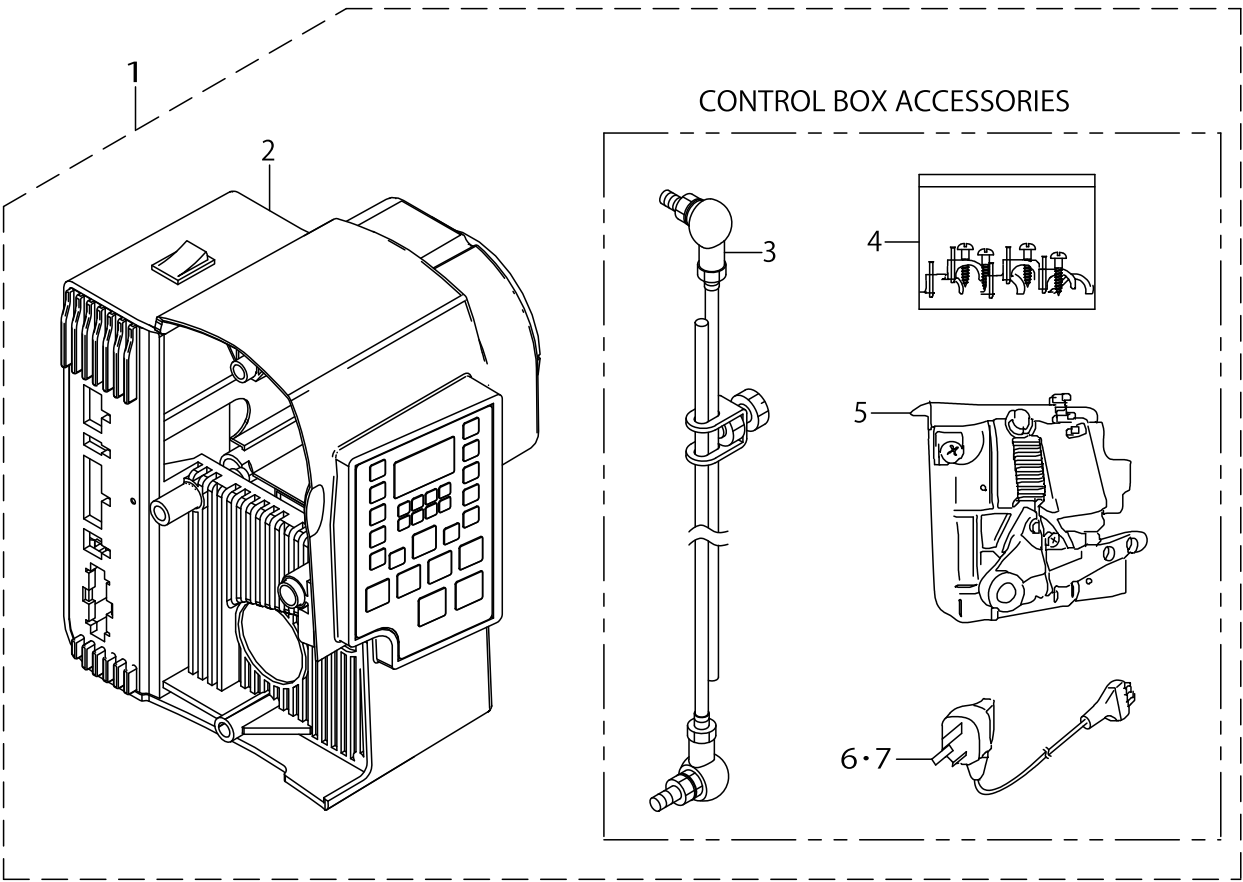


OIL RESERVOIR COMPONENTS



OIL RESERVOIR COMPONENTS

No.	Parts No.	Parts name	Remarks	Level	Cons	Qty
1	40111876	OIL_RESERVER_ASM.				1
2	40105821	OIL RESERVOIR		*		1
3	22931901	OIL RESERVOIR GASKET		*		1
4	B1116210D00	FRAME SUPPORT RUBBER		*		4
5	SS6700710SH	SCREW 5/16-24 L=7		*		1
6	RO098240100	RUBBER RING		*		1
7	22932156	KNEE LIFTER ROTATION ARM ASM.		*		1
8	22932107	KNEE LIFTING ROTATING ARM		*		1
9	NM6060001SE	NUT M6		*		2
10	SM8063012TR	SCREW M6 L=30		*		2
11	22932206	SPRING		*		1
12	RE1000000K0	E-RING 10		*		1
13	22932453	BRACKET ASM.		*		1
14	22932404	BRACKET		*		1
15	22934707	SCREW		*		2
16	40101720	SCREW_M6		*		1
17	40101541	KNEE_PRESS_CROSS_SHAFT		*		1
18	NM6060001SE	NUT M6		*		1
19	22934251	KNEE PAD PLATE ASM.				1
20	22934608	KNEE PAD UPRIGHT SHAFT		*		1
21	22934400	KNEE PAD PLATE RUBBER		*		1
22	22934202	KNEE PAD PLATE		*		1
23	22934301	KNEE PAD PLATE SUPPORT		*		1
24	SM9061203SE	SCREW M6 L=12		*		1
25	22934509	KNEE PAD PLATE COVER		*		1
26	B8228125000	OIL RESERVOIR MAGNET				1
27	22931703	KNEE LIFTER PUSH ROD				1



PSC UNIT

No.	Parts No.	Parts name	Remarks	Level	Cons	Qty
1	40130873	CONTROL BOX				1
2	40138199	CONTROL BOX (SINGLE)		*		1
3	40131478	CONNECTING_ROD_ASSY		*		1
4	40131477	ACCESSORIES PARTS ASSY		*		1
5	40130876	PEDAL SENSOR BASE ASSY		*		1
6	40131479	AC INPUT CABLE ASSY	FOR CHINA	*		1
7	40138939	AC INPUT CABLE ASSY	FOR GENERAL EXPORT	*		1



## HOW TO MAKE USE OF THIS PARTS LIST

### 1.Explanation of codes

1)"\*"mark.....means this part is changed from the previous parts book.

As to the details of the change, refer to the "List for information of change".

2)"#01".....refer to "Note" explanation at bottom of page.

### 2.Codes on the "Qty" column

- Each numeral indicates the number of parts required.
- "0.1" and "2.5" indicate the length (in meters) of the respective parts.

3.Parentheses mean that the corresponding part is a subpart that constructs an assembly part.

4.Dotted lines on the Figures indicate assembly parts.

5.As to the parts with marks of "☆"(consumable parts) and "◎"(optional parts)on the respective parts, it is recommended to prepare spares.

### 1 ."注記"欄の記号説明

1) "\*"印.....前回のパーツブックに比較して今回変更された部品を意味します。

変更内容は、"変更情報リスト"を参照してください。

2) "#01".....ページ下の"注記"の説明を参照してください。

2.数量欄の数字は、個数を表し、0.1、2.5等の数値は、長さ（単位メートル）を表します。

3.数量欄の（ ）は、組部品を構成している子部品であることを意味します。

4.イラストページの-----枠は、組構成であることを意味します。

5.リストページの"☆"（消耗部品）、"◎"（オプション部品）の印がついた部品は、予備を準備しておくことをお奨めします。

# NUMERICAL INDEX OF PARTS

PART NO	PAGE	REF NO.	PART NO	PAGE	REF NO.	PART NO	PAGE	REF NO.
11002904	8	3	22910053	8	19	22921407	2	34
11009800	16	23	22910103	8	42	22921506	2	37
11010311	16	17	22910202	16	12	22921506	6	28
11015906	10	37	22910251	16	11	22921605	2	39
11037405	16	22	22910806	16	28	22921803	2	36
11038759	10	24	22910905	16	24	22923015	30	14
11040052	20	5	22911002	16	40	22923056	30	12
11040409	20	4	22911101	16	13	22923205	30	17
11040854	20	45	22911507	16	2	22923312	30	13
11040953	20	44	22911606	16	4	22923403	30	19
11110152	28	20	22911804	16	7	22923502	30	21
11351806	24	14	22912000	16	9	22923601	30	20
22900401	2	10	22912109	16	8	22923700	30	15
22900609	2	28	22912257	16	19	22923809	30	18
22900757	2	4	22912505	16	20	22923908	30	22
22901003	4	55·67	22912802	16	36	22924153	30	6
22901201	4	52	22913008	18	51	22924302	30	7
22901250	4	51	22913701	16	38	22924401	30	3
22901300	4	53	22915003	16	15	22924500	30	11
22901805	2	14	22915201	18	48	22924609	30	28
22903207	8	25	22915359	18	58	22924708	30	1
22903306	8	27	22916001	10	31·40	22924807	22	58
22905004	10	23	22916100	10	35·43	22924906	30	10·30
22905103	10	25	22916407	10	32·41	22925002	30	9
22905202	10	26	22916506	10	38	22925101	30	5
22906101	10	2	22916555	10	36	22931703	32	27
22906457	10	4	22917058	10	12	22931901	32	3
22906606	8	11	22918064	8	5	22932107	32	8
22907307	12	36	22918304	8	12	22932156	32	7
22907406	12	33	22918403	8	6~9	22932206	32	11
22907505	12	32	22918502	8	6~9	22932404	32	14
22907554	12	30	22918601	8	6~9	22932453	32	13
22907604	12	31	22918700	8	6~9	22932909	10	18
22907703	12	45	22919203	8	29	22934202	32	22
22907802	12	1	22919559	8	2	22934251	32	19
22908008	12	42	22920102	12	29	22934301	32	23
22908156	12	40	22920201	12	23	22934400	32	21
22908305	12	44	22920300	12	26	22934509	32	25
22908354	12	39	22920409	12	24	22934608	32	20
22908552	12	4	22920508	2	30	22934707	32	15
22908701	12	7	22920607	2	47	22935407	4	57
22908800	12	14	22920904	2	43	22939508	10	3
22908909	12	11	22921001	2	31	22940654	18	55
22909006	12	13	22921209	2	38	22940753	16	35
22910004	8	21	22921308	2	33	22940803	16	31

## NUMERICAL INDEX OF PARTS

PART NO	PAGE	REF NO.	PART NO	PAGE	REF NO.	PART NO	PAGE	REF NO.
22940951	16	27	22953905	26	11-16	40090058	10	6
22941108	16	1	22954002	26	5	40093417	16	26
22941306	18	65	22955504	28	2	40098388	12	34
22942502	10	32-41	22955900	28	13	40099083	4	58
22942601	10	28	22956007	28	14	40100812	18	64
22944508	12	18	22956106	28	6	40101541	32	17
22944607	12	20	22956205	28	10	40101720	32	16
22944706	12	10	22956304	28	11	40101726	16	10
22944854	12	28-48	22956403	28	7	40102097	2	1
22945109	12	25	22956809	28	23	40102261	2	13
22945307	2	40	22956908	28	9	40102264	18	60
22945414	2	22	22957104	28	16	40103560	8	4
22945463	2	21	22957203	28	21	40105821	32	2
22945505	2	25	22958300	2	7	40109126	8	10
22945604	2	23	22970313	10	8	40109422	16	45
22945703	2	26	22970404	10	10	40110376	8	15
22945703	6	30	26260109	6	2	40110379	16	43
22945802	2	24	26260208	6	3	40110390	8	13
22947105	30	26	26260307	6	4	40110731	6	25
22947808	20	7	26260406	6	5	40110734	6	26
22948202	20	3	26260505	6	6	40110975	6	16
22948301	20	35	26260604	6	7	40110976	6	1
22948400	20	37	26260802	6	8	40110995	22	53
22949002	20	43	26261008	6	9	40110999	28	15
22949101	20	40	26261206	6	10	40111022	2	20
22949200	20	41	26261305	6	11	40111031	22	49
22949309	20	38	26261503	6	12	40111424	8	32
22949408	20	29	26261602	6	13	40111876	32	1
22949754	20	24	26261701	6	14	40111896	4	65
22949762	20	23	40011144	6	15	40111897	18	52
22949903	22	55	40012126	2	2	40112420	2	35
22950000	20	26	40012129	2	11	40112907	22	59
22950109	20	31	40017805	12	35	40112907	24	38
22950208	20	14	40021933	6	17	40115888	2	17
22950257	20	13	40023223	10	7	40119475	6	24
22950356	20	15	40037008	6	34	40126297	8	35
22950703	20	25	40041419	28	19	40126299	8	44
22950851	20	19	40060989	12	5	40126300	8	36
22950950	20	21	40086678	28	17	40126305	4	60
22951008	22	60	40087245	20	30	40126307	8	34
22951404	22	50	40089548	16	25	40126308	4	64
22953400	26	14	40090002	10	14	40126410	8	30
22953509	26	2	40090003	10	16	40126850	2	32
22953657	26	9	40090004	10	19	40127152	24	1
22953806	26	7	40090005	10	21	40127153	24	2



NUMERICAL INDEX OF PARTS

PART NO	PAGE	REF NO.	PART NO	PAGE	REF NO.	PART NO	PAGE	REF NO.
40127154	24	4	40135586	28	24	RE0500000K0	20	56
40127155	24	6	40136014	10	29	RE0500000K0	22	56
40127156	24	9	40137498	10	27	RE0500000K0	28	18
40127157	24	10	40137502	8	23	RE0500000KP	26	6
40127160	24	13	40137504	18	62	RE0600000K0	20	34
40127161	24	15	40138199	34	2	RE0600000K0	24	33
40127162	24	18	40138939	34	6·7	RE0900000K0	26	8
40127163	24	19	40139216	8	45	RE1000000K0	32	12
40127164	24	21	40153440	10	34	RE1200000K0	26	12
40127165	24	22	40163521	6	33	RO029180100	8	41
40127166	24	23	B1109552000	2	44	RO037180100	12	3
40127167	24	24	B1116210D00	32	4	RO044240100	8	18
40127168	24	26	B1213552000	8	43	RO078190100	16	37
40127177	10	35·43	B1215552000	8	26	RO092270200	16	16
40127178	30	29	B1521555000	12	2	RO098240100	32	6
40127179	30	10·30	B15240120BA	12	9	RO195240100	30	2
40127180	24	28	B8228125000	32	26	SD0460703TP	20	2
40127181	24	29	CM300200001	2	12	SD0600291TP	24	16
40127182	24	30	CQ252000000	30	8	SD0600361SP	20	46
40127183	24	31	D2406555D0H	20	10	SD0630275SP	20	18
40127188	24	39	D7133555B00	6	29	SD0640631TP	22	48
40127189	12	46	EA9500B0100	4	63	SD0641451SP	20	17
40127190	24	40	HK034610140	20	11	SD0650321TP	28	4
40127191	10	44	HK034610140	24	37	SD0720331SP	12	12
40127192	10	31·40	MDB100B1400	10	11	SD0850751SP	24	36
40127193	30	31	NM6040001SE	22	52	SD1000801SH	16	47
40130579	20	1	NM6060001SE	32	18	SE4301041SR	30	16
40130580	20	6	NS6090310SP	28	5	SL4030641SE	28	22
40130594	26	4	NS6110310SP	28	12	SL4030691SC	28	3
40130872	8	37	NS6110350SP	24	17	SL4030851SF	30	23
40130873	34	1	NS6120630SP	6	27	SL6051492TN	8	39
40130874	26	1	NS6150430SP	20	33	SL6052092TN	2	18
40130875	8	40	NS6620310SP	12	21	SL6052592TN	8	38
40130876	34	5	NS6680410SP	16	42	SL6054592TN	4	62
40131477	34	4	RC0150001KP	16	54	SM0050801SC	6	32
40131478	34	3	RC0150001KP	18	54	SM5040655SN	6	20
40131479	34	6·7	RC0560711KP	6	18	SM6053052TN	4	61
40131891	28	1	RC1850001KP	8	22	SM8040802TP	6	21
40132066	26	11·16	RE0250000K0	28	8	SM8050502TP	6	22
40132067	12	47	RE0400000K0	6	19	SM80608A2TP	8	33
40132068	14	28·48	RE0400000K0	20	39	SM8061010TP	18	61
40132099	4	68	RE0400000K0	26	15	SM8063012TR	32	10
40132143	24	34	RE0400000KP	26	10	SM9061203SE	32	24
40133779	16	39	RE0500000K0	12	43	SS1090520TP	24	5
40133950	16	33	RE0500000K0	16	21	SS2060210SP	20	8

## NUMERICAL INDEX OF PARTS

PART NO	PAGE	REF NO.	PART NO	PAGE	REF NO.
SS2110915SP	2	46	SS6700710SH	32	5
SS2110920TP	2	45	SS7080510TP	10	9
SS4080620TP	16	34	SS7090610SP	20	42
SS4080620TP	20	9	SS7090610SP	24	8
SS4090615SP	8	28	SS7091110TP	12	6
SS4110515SP	12	16	SS7110720SP	4	59
SS4110515SP	18	66	SS7110740TP	18	53
SS4110715SP	20	28	SS7111120SP	18	59
SS4110915TP	10	33-42	SS7120770SH	16	6
SS4111415SP	24	12	SS7121410TP	18	56
SS4120615SP	2	66	SS7681650TP	8	14
SS4120615SP	4	66	SS8090670SP	2	41
SS4120615SP	12	27	SS8110410TP	10	13
SS4120615SP	30	4	SS8110422TP	24	25
SS4120915SP	2	50	SS8110520TP	20	22
SS4120915SP	4	50	SS8150710TP	2	42
SS4120915SP	10	39	SS8151150TP	8	1
SS4120915SP	28	26	SS8660610TP	8	31
SS4121415SP	24	20	SS8660610TP	18	63
SS4150915SP	12	17	SS8660612TP	24	27
SS4150915SP	20	47	SS8660810TP	10	22
SS4150915SP	30	24	SS8660810TP	12	37
SS4151215SP	4	69	SS8661012TP	24	3
SS4151215SP	22	57	SS8681650TP	8	16
SS4151215SP	24	35	TA0850604R0	2	5
SS4151215SP	26	3	TA0850604R0	10	1
SS6060210SP	4	54	TA1250406R0	4	49
SS6080320SP	2	3	TA1250705R0	2	6
SS6090510TP	20	16	TA2000502R0	2	16
SS6090540SP	28	25	TA2100904R0	2	9
SS6090620TP	16	41	TA2101002R0	2	19
SS6090670TP	10	5	WP0371016SD	24	7
SS6090670TP	16	3	WP0450826SC	6	23
SS6090910SP	12	38	WP0450826SC	24	11
SS6110420TP	10	30	WP0480856SP	18	57
SS6110610TP	4	48	WP0621016SH	20	32
SS6110710TP	22	54	WP0820816SD	24	32
SS6111010TP	30	25	WP1602616SZ	26	13
SS6111210SP	10	33-42	WS0410002KR	22	51
SS6121210SP	16	46	WS0651310KP	30	27
SS6121610SP	16	44	WT0530002KS	4	56
SS6121860SP	16	5			
SS6151220SP	16	29			
SS6660610TP	20	20			
SS6661110SP	8	20			