

MODEL : MF-7500D SERIES

List No : 1617-01

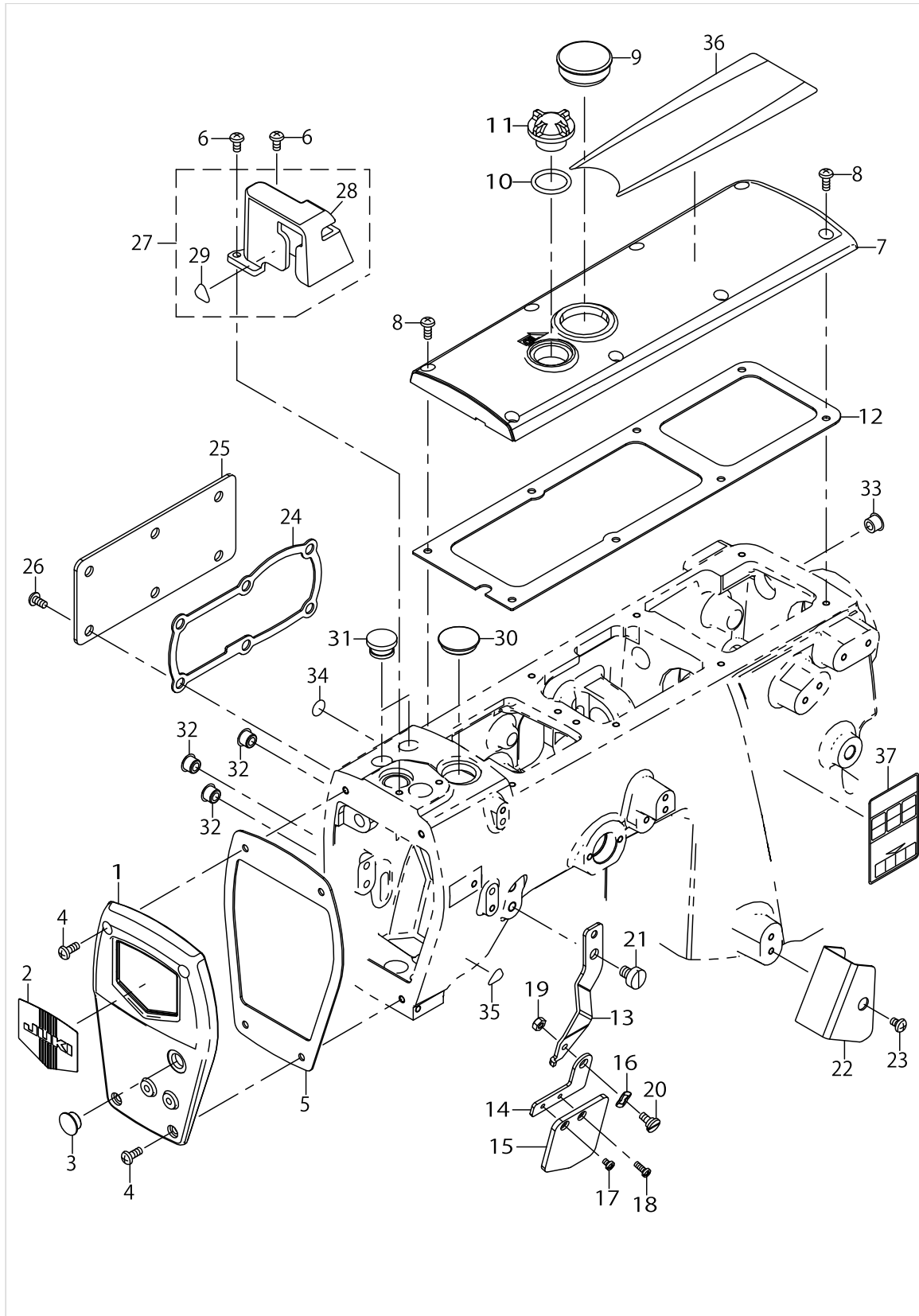
PARTS LIST

Published:09/10/2017

CONTENTS

MISCELLANEOUS COVER COMPONENTS (1).....	1
MISCELLANEOUS COVER COMPONENTS (2).....	3
MAIN SHAFT COMPONENTS	7
NEEDLE BAR & PRESSER COMPONENTS.....	11
FEED DRIVE COMPONENTS (1)	15
FEED DRIVE COMPONENTS (2)	21
THREAD TAKE-UP LEVER COMPONENTS.....	23
SPREADER COMPONENTS.....	27
LOWER THREAD CAM COMPONENTS.....	29
NEEDLE GUARD COMPONENTS.....	31
LOOPER COMPONENTS	33
THREAD TENSION COMPONENTS	35
LUBRICATION COMPONENTS	37
THREAD STAND COMPONENTS.....	41
GAUGE PARTS COMPONENTS	43
NEEDLE COOLING COMPONENTS	45
ACCESSORIES PARTS COMPONENTS	47
HOW TO MAKE USE OF THIS PARTS LIST	49

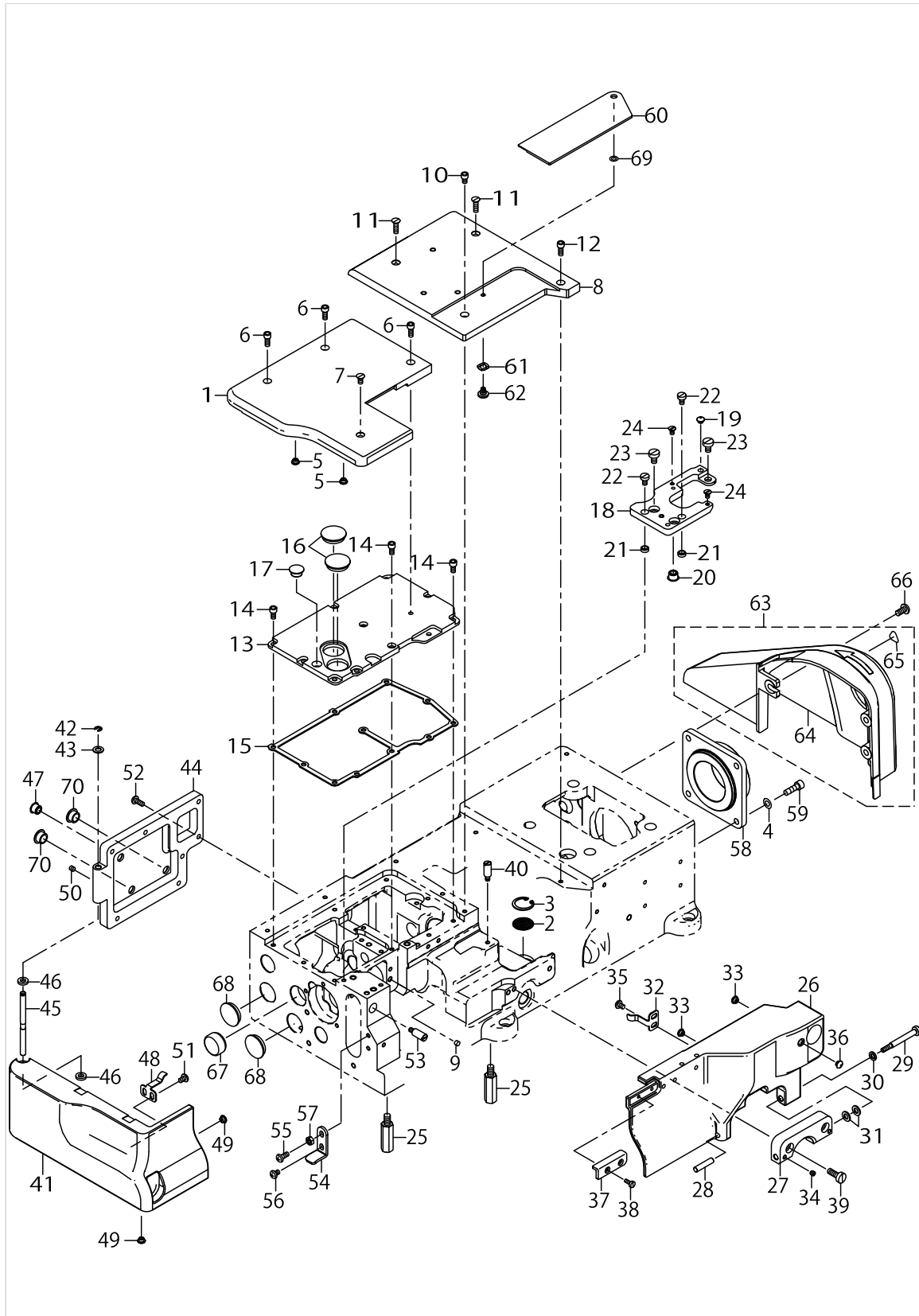
MISCELLANEOUS COVER COMPONENTS (1)



MISCELLANEOUS COVER COMPONENTS (1)

No.	Parts No.	Parts name	Remarks	Level	Cons	Qty
1	70001411	FACE COVER				1
2	22902506	PLATE				1
3	TA1050504R0	RUBBER PLUG				1
4	SM4041055SP	SCREW				4
5	70001416	GASKET H				1
6	SM4040855SP	SCREW				2
7	70001409	TOP COVER				1
8	SM4041055SP	SCREW				8
9	10753309	WINDOW PLATE RUBBER PLUG				1
10	RO195240100	O-RING				1
11	22924708	OIL SIGHT WINDOW				1
12	13300801	GASKET T				1
13	70001421	BRACKET HOLDER				1
14	40033341	BRACKET				1
15	13301700	PROTECTION SHIELD				1
16	WZ0641510KP	WAVED WASHER 6.4X11X0.3				1
17	SM4030455SN	SCREW				1
18	SM4030855SN	SCREW M3 L=8.0				1
19	NM6040000SN	NUT M4				1
20	SD0640246SP	SHOULDER SCREW D=6.35 H=2.4				1
21	SM4060801SE	SCREW				1
22	70001422	THREAD COVER				1
23	SM4040655SP	SCREW M4 L=6				1
24	13301205	GASKET P				1
25	13301106	PULLER DRIVE COVER				1
26	SM4060801SE	SCREW				6
27	70001837	NEEDLE BAR GUARD ASSY				1
28	70001407	NEEDLE BAR GUARD		*		1
29	CM300200001	FINGER INJURY CAUTION LABEL (16)		*		1
30	TA2050406R0	RUBBER PLUG				1
31	TA1250705R0	RUBBER PLUG				2
32	TA0850604R0	RUBBER PLUG				3
33	TA0850604R0	RUBBER PLUG				1
34	22901805	GROUND MARK				1
35	CM300200001	FINGER INJURY CAUTION LABEL (16)				1
36	70001430	SEMI DRY LABEL				1
37	CM301200001	SAFETY LABEL S				1

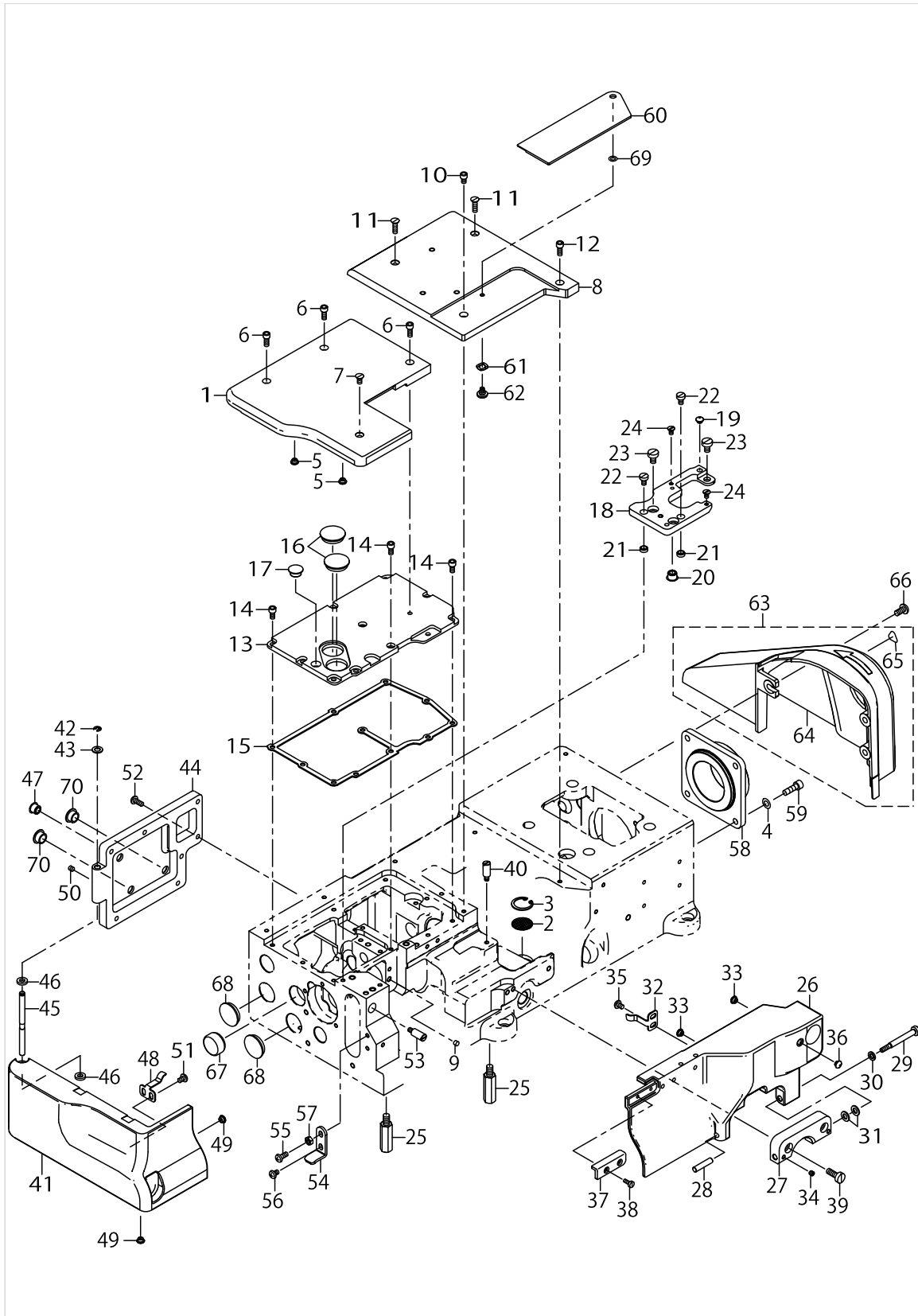
MISCELLANEOUS COVER COMPONENTS (2)



MISCELLANEOUS COVER COMPONENTS (2)

No.	Parts No.	Parts name	Remarks	Level	Cons	Qty
1	70001420	CLOTH PLATE LEFT				1
2	13426903	MESH PLATE				1
3	RC1900002KP	C-RING 19(20.5)				1
4	WP0531000SD	WASHER M5				4
5	13302302	RUBBER BUMPER				2
6	SM6041002TP	SCREW M4X0.7 L=10				3
7	SM1040800SP	SCREW				1
8	70001978	CLOTH_PLATE_RIGHT				1
9	TA0400301M0	PLUG D=4X4.5 L=3				1
10	SM6040602TP	SCREW M4X0.7 L=6				1
11	SM1041400SP	SCREW				2
12	SM6041002TP	SCREW M4X0.7 L=10				1
13	70001415	BED TOP COVER				1
14	SM6040800SP	SCREW				11
15	70001423	GASKET B				1
16	TA2050416R0	RUBBER PLUG				2
17	TA1050504R0	RUBBER PLUG				1
18	70001424	THROAT PLATE SUPPORT				1
19	13302302	RUBBER BUMPER				1
20	TA0850604R0	RUBBER PLUG				1
21	40082196	ADJUSTING COLLAR				2
22	SM6040750TP	SCREW M4 L=7				2
23	SM6050800SP	SCREW M5 L=8				3
24	13302203	SCREW				2
25	13301809	SUPPORT STUD				4
26	70001426	SWING DOWN COVER				1
27	70001431	HINGE				1
28	13409800	DIFF LINK PIN				1
29	70001414	SCREW				1
30	WS0510002KP	SPRING WASHER 5.1X9.2X1.3				1
31	WP0531000SC	WASHER 5.3X10X1				2
32	13304308	LATCH SPRING				1
33	13302302	RUBBER BUMPER				2
34	SM8040412TP	SET SCREW M4 L=4				2
35	SM4040655SP	SCREW M4 L=6				2
36	13302302	RUBBER BUMPER				1
37	40099371	BRACKET				1
38	SM6030800SP	SCREW M3X0.5 L=8				2
39	SM6051400SP	SCREW				2
40	13302104	PIN				1
41	70001418	SIDE COVER				1
42	RE0300000K0	E-RING 3				1
43	WP0550800SP	WASHER 5.5X10X0.8				1
44	70001659	FEED CHAMBER COVER				1
45	13305107	PIN FOR SIDE COVER				1
46	13302708	RUBBER WASHER				2
47	TA0850604R0	RUBBER PLUG				1

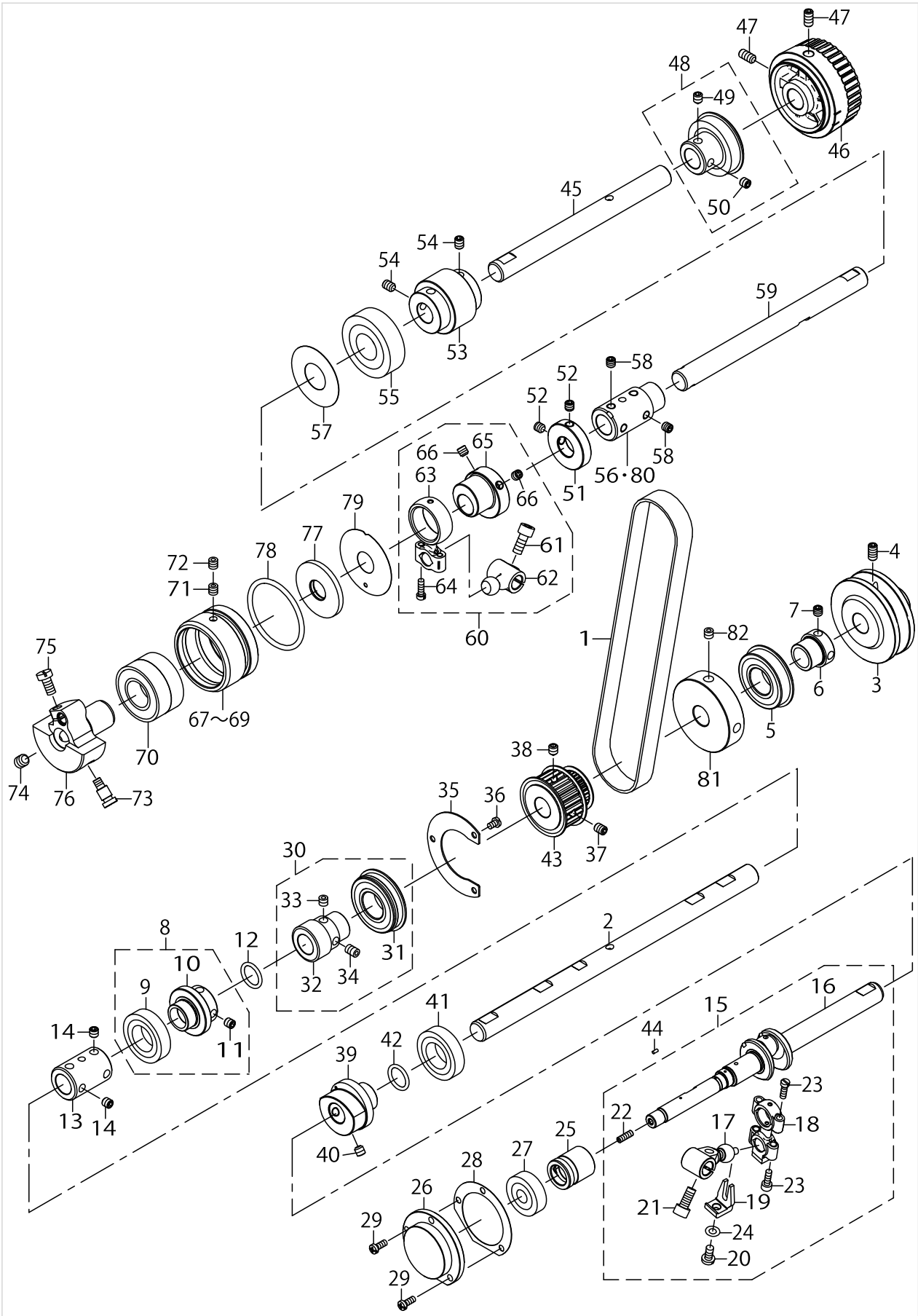
MISCELLANEOUS COVER COMPONENTS (2)



MISCELLANEOUS COVER COMPONENTS (2)

No.	Parts No.	Parts name	Remarks	Level	Cons	Qty
48	13304308	LATCH SPRING				1
49	13302302	RUBBER BUMPER				2
50	SM8040412TP	SET SCREW M4 L=4				1
51	SM4040555SP	SCREW				2
52	SM4041055SP	SCREW				7
53	13302104	PIN				1
54	13304209	SUPPORT BRACKET				1
55	SM4041055SP	SCREW				1
56	SM4040655SP	SCREW M4 L=6				1
57	NM6040000SN	NUT M4				1
58	70001436	HOUSING				1
59	SM6051602TP	SCREW M5X0.8 L=16				4
60	70001976	SLIDE_COVER				1
61	WZ0641510KP	WAVED WASHER 6.4X11X0.3				1
62	SD0600266TP	SHOULDER SCREW D=6 H=2.6				1
63	70001831	DRIVING BELT COVER ASSY				1
64	70001830	DRIVING BELT COVER		*		1
65	CM300200001	FINGER INJURY CAUTION LABEL (16)		*		1
66	SM4051055SP	SCREW				3
67	TA2101002R0	RUBBER PLUG				1
68	TA2050416R0	RUBBER PLUG				2
69	WP0450000SD	WASHER 4.5X8X0.5				1
70	TA1050504R0	RUBBER PLUG				2

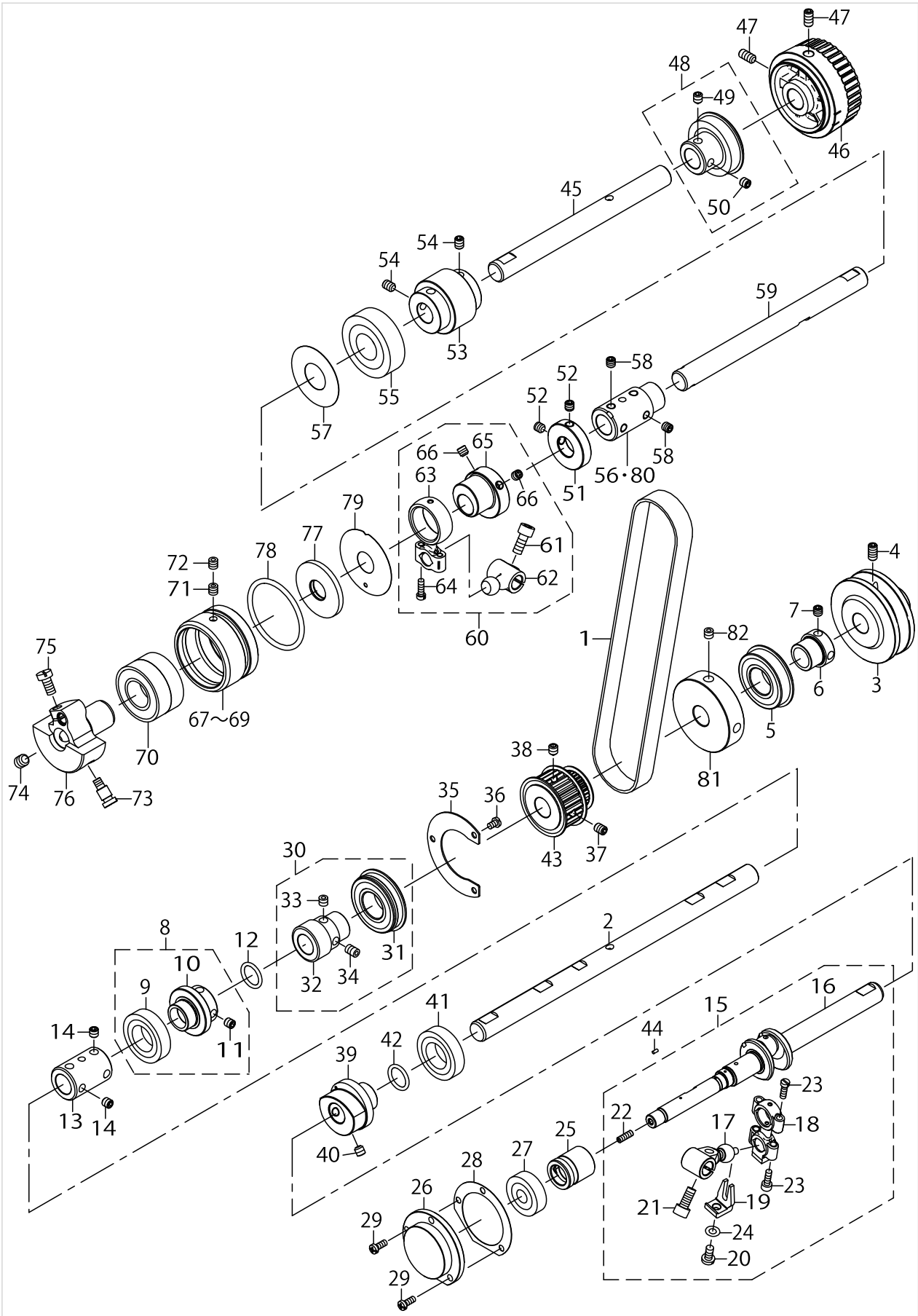
MAIN SHAFT COMPONENTS



MAIN SHAFT COMPONENTS

No.	Parts No.	Parts name	Remarks	Level	Cons	Qty
1	13308804	TIMING_BELT				1
2	70001445	LOWER_MAINSHAFT_RIGHT				1
3	13406707	LOWER_PULLEY				1
4	SM8061212TP	SCREW M6X12				2
5	SB120001800	BEARING				1
6	13407408	COUPLING E				1
7	SM8060612TP	SCREW M6 L=6				2
8	13308457	BEARING_ASSY_C				1
9	SB120001500	BEARING		*		1
10	40018922	COUPLING_C		*		1
11	SM8060612TP	SCREW M6 L=6		*		2
12	RO148240200	RUBBER RING				1
13	13307509	JOINT				1
14	SM8060612TP	SCREW M6 L=6				4
15	70001446	LMS_LEFT_ASSY				1
16	70001434	LOWER_MAINSHAFT_LEFT		*		1
17	70001600	LOOPER_DRIVE		*		1
18	70001599	LOOPER_ROD_DRIVE		*		1
19	13337100	GUIDE LOOPER ROD		*		1
20	SM4051055SP	SCREW		*		1
21	SM6061402TP	SCREW M6 L=14		*		1
22	SM8040412TP	SET SCREW M4 L=4		*		1
23	13324108	SCREW		*		4
24	WS0510002KP	SPRING WASHER 5.1X9.2X1.3		*		1
25	70001447	BUSHING_LMS_MIDDLE				1
26	70001448	BUSHING_LMS_LEFT				1
27	SB110002300	BEARING				1
28	13308705	GASKET FOR BUSHING LEFT				1
29	SM4041055SP	SCREW				3
30	70003278	LMS_WORM_ASSY				1
31	70001458	BEARING		*		1
32	13308507	COUPLING D		*		1
33	SM8060842TP	SCREW M6 L=8		*		1
34	SM8060552TP	SCREW M6 L=5		*		1
35	70001451	THRUST_PLATE				1
36	SM4040655SP	SCREW M4 L=6				3
37	SM8060812TP	SCREW M6 L=8				1
38	SM8060842TP	SCREW M6 L=8				1
39	70001453	BEARING_HOLDER				1
40	SM8060612TP	SCREW M6 L=6				2
41	SB120001500	BEARING				1
42	RO148240200	RUBBER RING				1
43	70004184	LMS_SPROCKET				1
44	40035711	OIL WICK				2
45	70001437	UPPER_MAINSHAFT_RIGHT				1
46	70001439	UPPER_PULLEY				1
47	SM8061212TP	SCREW M6X12				2

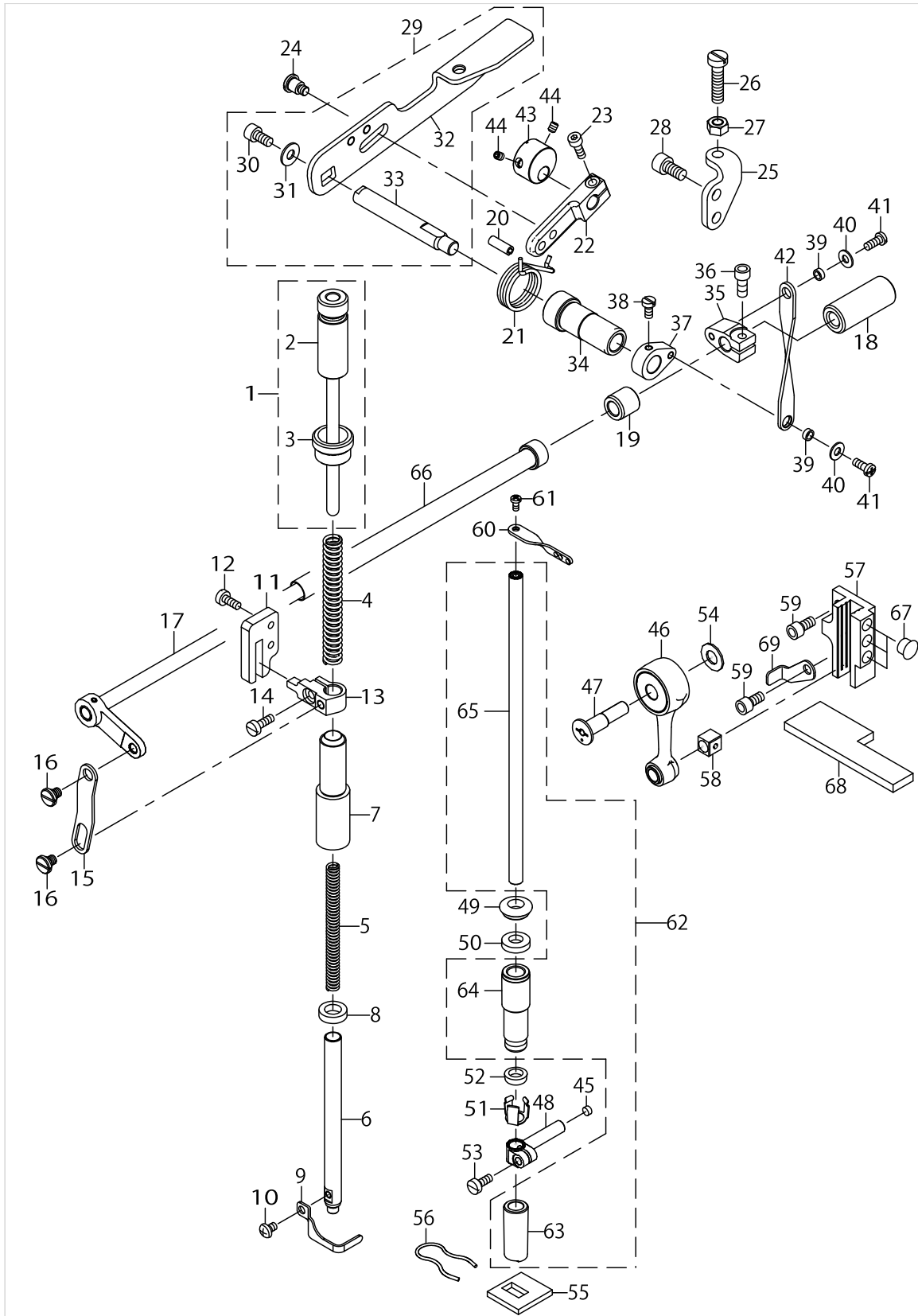
MAIN SHAFT COMPONENTS



MAIN SHAFT COMPONENTS

No.	Parts No.	Parts name	Remarks	Level	Cons	Qty
48	13307251	BEARING ASSY A				1
49	SM8060842TP	SCREW M6 L=8		*		1
50	SM8060612TP	SCREW M6 L=6		*		1
51	70001443	COLLAR				1
52	SM8060612TP	SCREW M6 L=6				2
53	13307301	UMS_SPROCKET				1
54	SM8060812TP	SCREW M6 L=8				4
55	SB120002200	BEARING				1
56	70001440	COUPLING_B				1
57	70001638	BEARING_COVER_PLATE				1
58	SM8060612TP	SCREW M6 L=6				4
59	70001454	UPPER_MAINSHAFT_LEFT_DRY				1
60	70001442	TAKE_UP_ROD_ASSY				1
61	SM6061402TP	SCREW M6 L=14		*		1
62	70001535	CRANK		*		1
63	70001536	ROD		*		1
64	13324108	SCREW		*		2
65	70001444	TAKE_UP_ECCENTRIC		*		1
66	SM8060612TP	SCREW M6 L=6		*		2
67	40078278	HOUSING_A	SELECTIVE PARTS			1
68	40078279	HOUSING_B	SELECTIVE PARTS			1
69	40078280	HOUSING_C	SELECTIVE PARTS			1
70	SB120001900	BEARING				1
71	SM8060842TP	SCREW M6 L=8				1
72	SM8060612TP	SCREW M6 L=6				1
73	13309208	SCREW_FOR_COUNTERWEIGHT				1
74	SM8080812TP	SCREW M8X8				1
75	SM6061200SP	SCREW				1
76	70001432	COUNTER_WEIGHT_DRY				1
77	40078282	OIL SEAL				1
78	RO445300100	RUBBER RING				1
79	40081965	OIL_BLOCK_PLATE				1
80	70003331	COUPLING_B	FOR UT35,UT37			1
81	70003316	FLY_WHEEL				1
82	SM8060612TP	SCREW M6 L=6				2

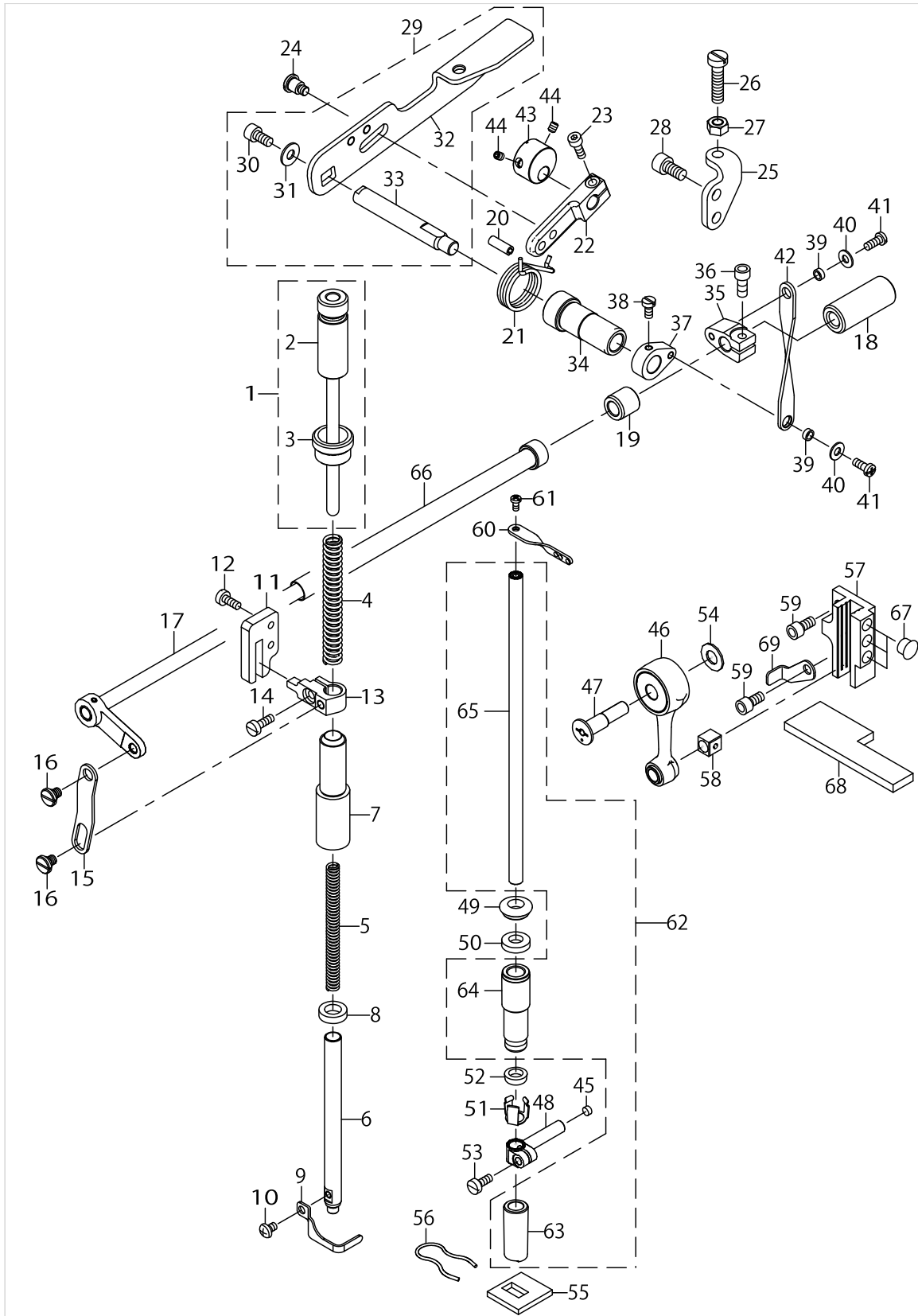
NEEDLE BAR & PRESSER COMPONENTS



NEEDLE BAR & PRESSER COMPONENTS

No.	Parts No.	Parts name	Remarks	Level	Cons	Qty
1	40070574	ADJ_SCREW_P_B_NUT_ASSY				1
2	40070573	ADJ_SCREW_P_B_ASSY		*		1
3	13313101	LOCKING NUT		*		1
4	13313309	SPRING PRESSER BAR A				1
5	70001480	SPRING_PRESSER_BAR_B				1
6	70001481	PRESSER_BAR				1
7	70001499	BUSHING_PRESSER_BAR				1
8	13315908	OIL SEAL				1
9	70001483	FINGER_GUARD				1
10	SM4040655SP	SCREW M4 L=6				1
11	13313804	GUIDE PLATE				1
12	SM6041000SP	SCREW M4 L=10				2
13	70001485	PRESSER_BAR_BRACKET				1
14	SM6041200SP	SCREW M4 L=12				1
15	13314109	LINK				1
16	SD0700206TP	SHOULDER SCREW				2
17	40078307	ASSY_LIFTER_SHAFT_DRY				1
18	70001500	BUSHING_LIFTER_REAR				1
19	70001486	BUSHING_LIFTER_FRONT				1
20	PS0500142KP	SPRING PIN				1
21	70001498	SPRING_LIFTER_LEVER				1
22	70001494	TENSION_RELEASE_LEVER				1
23	SM6041202TP	SCREW M4X0.7 L=12				1
24	SD0700586TP	SHOULDER SCREW				1
25	70001495	LIFTER_LEVER_STOPPER				1
26	SM6062550TP	SCREW M6 L=25				1
27	NM6060001CP	NUT M6				1
28	SM6061202TP	SCREW M6 L=12				2
29	70001487	LIFTER_LEVER_ASSY				1
30	SM6051002TP	SCREW M5X0.8 L=10		*		1
31	WP0551016SH	WASHER 5.5X13X1		*		1
32	70001488	LIFTER_LEVER		*		1
33	70001489	LIFTER_LEVER_SHAFT		*		1
34	70001490	BUSHING_LIFTER_LEVER				1
35	70001478	LIFTER_SHAFT_LEVER				1
36	SM6051202TP	SCREW M5X0.8 L=12				1
37	70001477	LIFTER_LEVER_COLLAR				1
38	SM6040800SP	SCREW				1
39	70001491	SPACER				2
40	WP0450826SC	WASHER 4.5X10X0.8				2
41	SM4041055SP	SCREW				2
42	70001492	LIFTER_LEVER_LINK				1
43	70001493	MINUTES_LIFTING_COLLAR				1
44	SM8040512TP	SCREW				2
45	40078293	PLUG				1
46	70001465	ASSY_NEEDLE_CRANK_ROD				1
47	70001462	ECCENTRIC_PIN_DRY				1

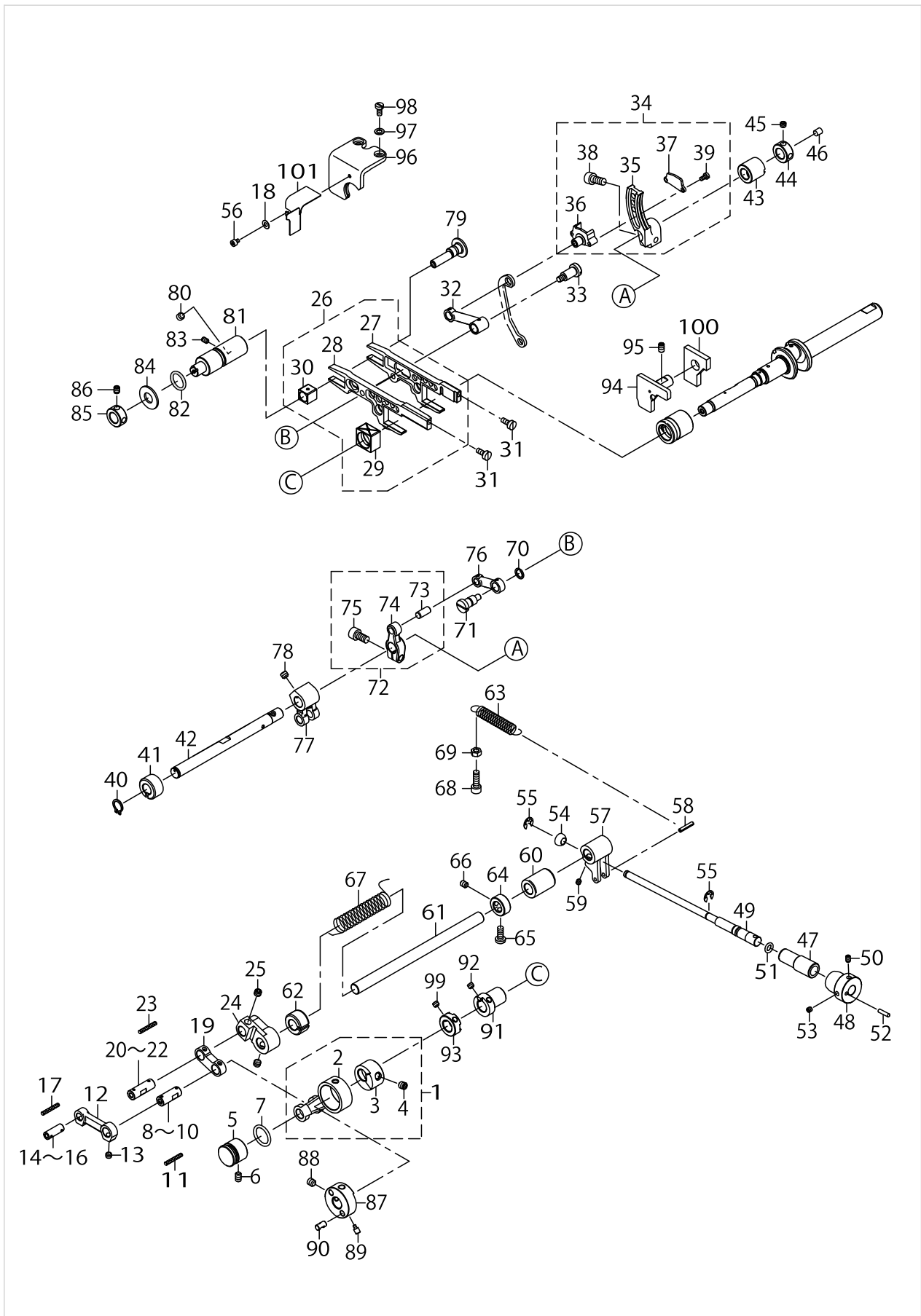
NEEDLE BAR & PRESSER COMPONENTS



NEEDLE BAR & PRESSER COMPONENTS

No.	Parts No.	Parts name	Remarks	Level	Cons	Qty
48	40078292	NEEDLE_BAR_CLAMP				1
49	40078305	BUSHING_NB_U_PRESSER_A				1
50	40078302	BUSHING_NB_U_FELT_A				1
51	40078306	BUSHING_NB_U_PRESSER_B				1
52	40078303	BUSHING_NB_U_FELT_B				1
53	SM6041000SP	SCREW M4 L=10				1
54	40078291	WASHER				1
55	40078301	BUSHING_NB_L_FELT				1
56	40078304	BUSHING_NB_L_PRESSER				1
57	70001463	NEEDLE_BAR_GUIDE				1
58	40078295	SLIDE_BLOCK				1
59	SM6051202TP	SCREW M5X0.8 L=12				3
60	13326806	NEEDLE BAR EYELET				1
61	SM4030855SN	SCREW M3 L=8.0				1
62	40078317	ASSY_BUSHING_NB_DRY				1
63	40078299	BUSHING_NB_LOWER		*		1
64	40078300	BUSHING_NB_UPPER		*		1
65	40078296	NEEDLE BAR ASSY		*		1
66	40078320	PIPE_ASSY				1
67	TA0850604R0	RUBBER PLUG				4
68	40087083	FELT				1
69	40087101	FELT PRESSER				1

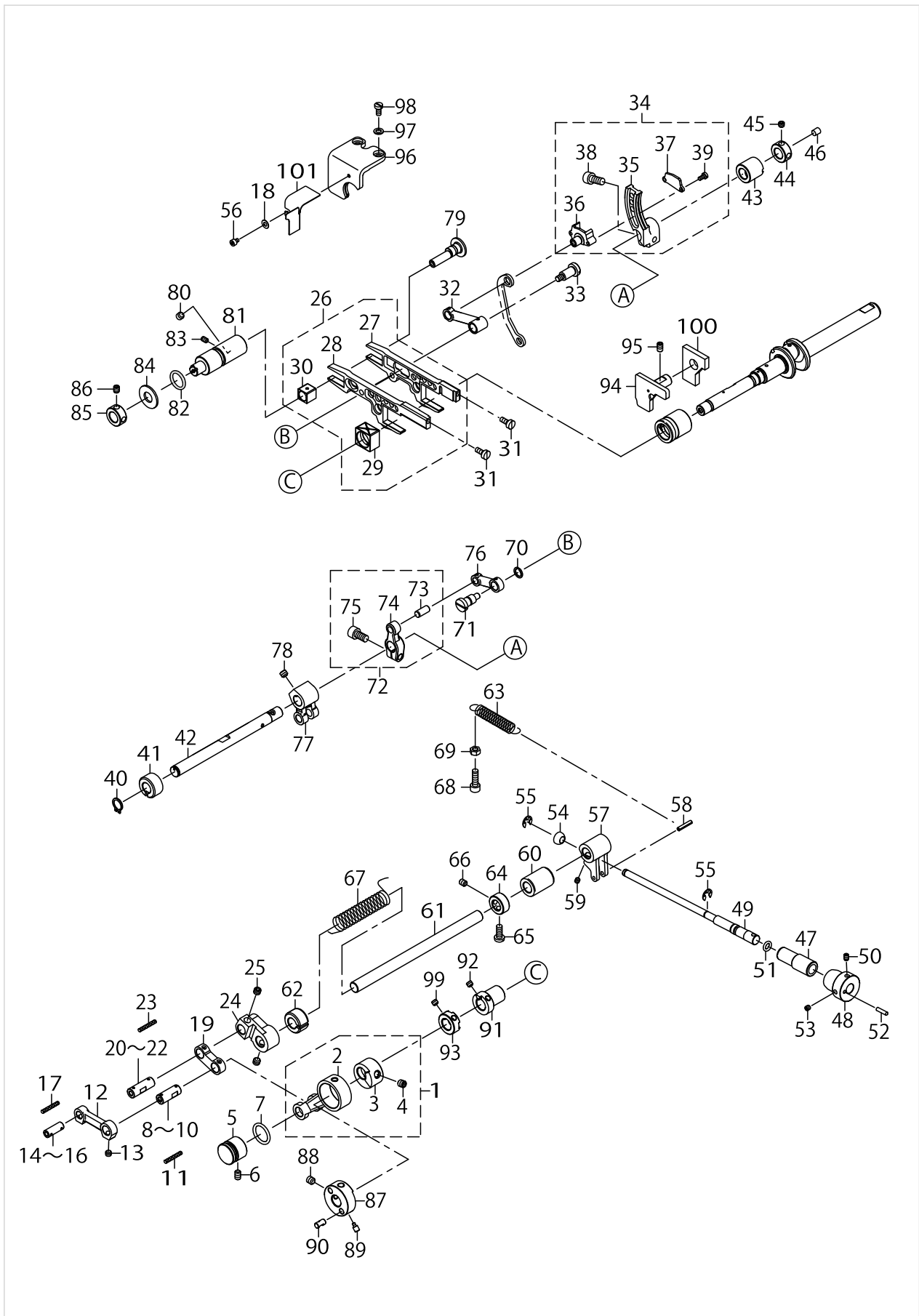
FEED DRIVE COMPONENTS (1)



FEED DRIVE COMPONENTS (1)

No.	Parts No.	Parts name	Remarks	Level	Cons	Qty
1	70001521	FEED ECCENTRIC HORIZON ASSY				1
2	70001505	CRNAK ROD		*		1
3	70001522	FEED ECCENTRIC HORIZON		*		1
4	SM8060612TP	SCREW M6 L=6		*		2
5	13323803	CRANK ROD GUIDE				1
6	SM8050812TP	SCREW M5X8				1
7	RO158240100	O-RING				1
8	13323308	FEED ADJ LINK PIN A	SELECTIVE PARTS			1
9	13323407	FEED ADJ LINK PIN B	SELECTIVE PARTS			1
10	13323506	FEED ADJ LINK PIN C	SELECTIVE PARTS			1
11	CQ303000000	COTTON OIL WICK D=3				0.07
12	13317201	MAIN FEED DRIVE LINK				1
13	SM8050612TP	SCREW M5X6				2
14	13318704	MAIN FEED CRANK PIN A	SELECTIVE PARTS			1
15	13318803	MAIN FEED CRANK PIN B	SELECTIVE PARTS			1
16	13318902	MAIN FEED CRANK PIN C	SELECTIVE PARTS			1
17	CQ303000000	COTTON OIL WICK D=3				0.04
18	WP0370316SD	WASHER 3.7X8X0.3				1
19	13317300	ADJUST LINK				1
20	13317409	FEED ADJ LINK PIN A	SELECTIVE PARTS			1
21	13317508	FEED ADJ LINK PIN B	SELECTIVE PARTS			1
22	13317607	FEED ADJ LINK PIN C	SELECTIVE PARTS			1
23	CQ303000000	COTTON OIL WICK D=3				0.08
24	13317706	MAIN FEED ADJ LEVER				1
25	SM8060552TP	SCREW M6 L=5				2
26	70001528	FEED BAR ASSY				1
27	70001959	MAIN FEED BAR		*		1
28	13321708	DIFF FEED BAR		*		1
29	70001509	SLIDE BLOCK		*		1
30	13322409	SLIDE BLOCK		*		1
31	SM6041000SP	SCREW M4 L=10				2
32	13319702	DIFF FEED LINK				1
33	SD0801326TH	SHOULDER SCREW D=8 H=13.2				1
34	13319959	DIFF DRIVE ARM ASSY				1
35	13319900	DIFF DRIVE ARM		*		1
36	13320007	DIFF FEED PIN		*		1
37	13320106	DIFF FEED PIN PLATE		*		1
38	SM6061402TP	SCREW M6 L=14		*		1
39	SM6030600SP	SCREW M3X0.5 L=6		*		2
40	RC0100001KP	C-RING 10 (9.3)				1
41	70001510	BUSHING FEED FRONT				1
42	13319009	ROCKER SHAFT				1
43	70001511	BUSHING FEED REAR				1
44	CS1000881TP	THRUST COLLAR D=10 W=8				1
45	SM8050612TP	SCREW M5X6				2
46	TA0500601M0	PLUG D=5X5.4 L=6				1
47	13318209	BUSHING FEED ADJUST				1

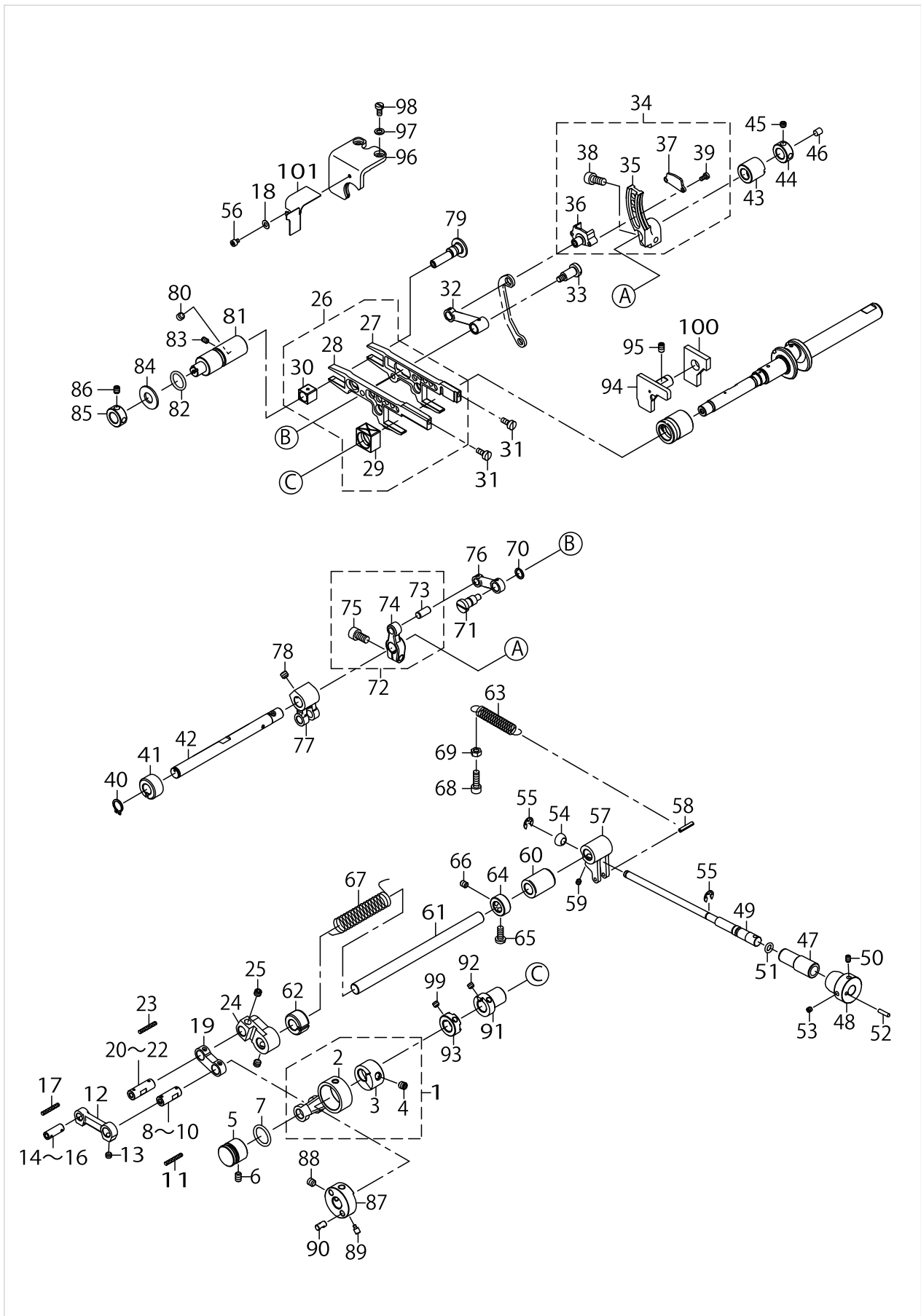
FEED DRIVE COMPONENTS (1)



FEED DRIVE COMPONENTS (1)

No.	Parts No.	Parts name	Remarks	Level	Cons	Qty
48	13318001	KNOB FEED ADJUST				1
49	13318100	SHAFT FEED ADJUST				1
50	SM8040602TP	SCREW M4X0.7 L=6				1
51	RO055200100	O-RING				1
52	B3215470000	PIN				1
53	SM8040412TP	SCREW M4X4				1
54	13318308	STOPPER FEED ADJUST				1
55	RE0500000K0	E-RING				2
56	SM6030402TP	SCREW M3X0.5 L=4				1
57	13317904	FEED ADJUST LEVER				1
58	PS0300162KH	SPRING PIN 3X16				1
59	SM8050612TP	SCREW M5X6				1
60	70001512	BUSHING FEED ADJUST				1
61	13317805	FEED ADJUST SHAFT				1
62	70001510	BUSHING FEED FRONT				1
63	13318506	TORSIN SPRING				1
64	CS1000881TP	THRUST COLLAR D=10 W=8				1
65	SM4051255SP	SCREW				1
66	SM8050612TP	SCREW M5X6				1
67	B2556280000	SPRING				1
68	SM6051602TP	SCREW M5X0.8 L=16				1
69	NM6050001SC	NUT M5X0.8 TYPE1				1
70	RC0741013KP	C-RING 8 (7.4)				1
71	13398409	SHOULDER SCREW				1
72	70001513	MAIN FEED ROCKER ASSY				1
73	13319405	MAIN FEED ROCKER PIN		*		1
74	70001506	MAIN FEED ROCKER		*		1
75	SM6061202TP	SCREW M6 L=12		*		1
76	13319504	MAIN FEED LINK				1
77	13318605	MAIN FEED CRANK				1
78	SM80606A2TP	SCREW M6 L=6				2
79	13322201	ECCENTRIC PIN				1
80	SM8060552TP	SCREW M6 L=5				1
81	13322003	FEED BAR SHAFT				1
82	RO137230100	O-RING				1
83	SM8040612TP	SCREW M4 L=6				1
84	13322102	WASHER FEED BAR SHAFT				1
85	CS1000881TP	THRUST COLLAR D=10 W=8				1
86	SM8050612TP	SCREW M5X6				2
87	70001523	POSITIONING CAM HORIZON				1
88	SM8060612TP	SCREW M6 L=6				2
89	70001524	FEED ECCENTRIC SCREW				1
90	70001525	FEED ECCENTRIC PIN				1
91	70001526	FEED ECCENTRIC				1
92	SM8050412TP	SCREW M5 L=4				2
93	70001527	POSITIONING CAM VERTICAL				1
94	70001507	FEED BAR GUIDE 1				1

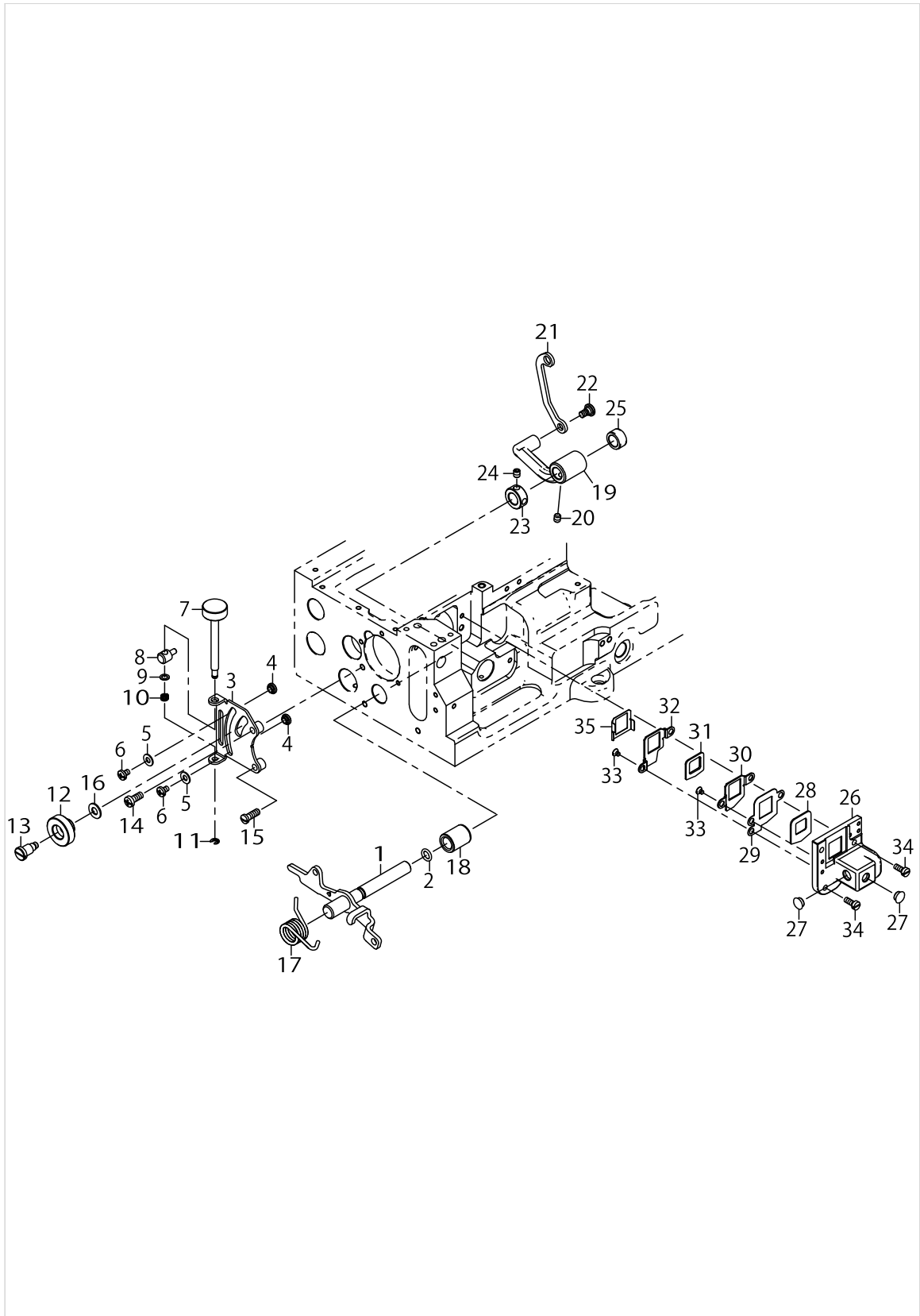
FEED DRIVE COMPONENTS (1)



FEED DRIVE COMPONENTS (1)

No.	Parts No.	Parts name	Remarks	Level	Cons	Qty
95	SM8050812TP	SCREW M5X8				1
96	70001508	FEED BAR GUIDE 2				1
97	WP0480856SP	WASHER 4.8X8.4X0.8				2
98	SM6040800SP	SCREW				2
99	SM8050412TP	SCREW M5 L=4				2
100	70001532	FELT FOR FEED BAR GUIDE				1
101	70001533	OIL PROTECTION SHEILD				1

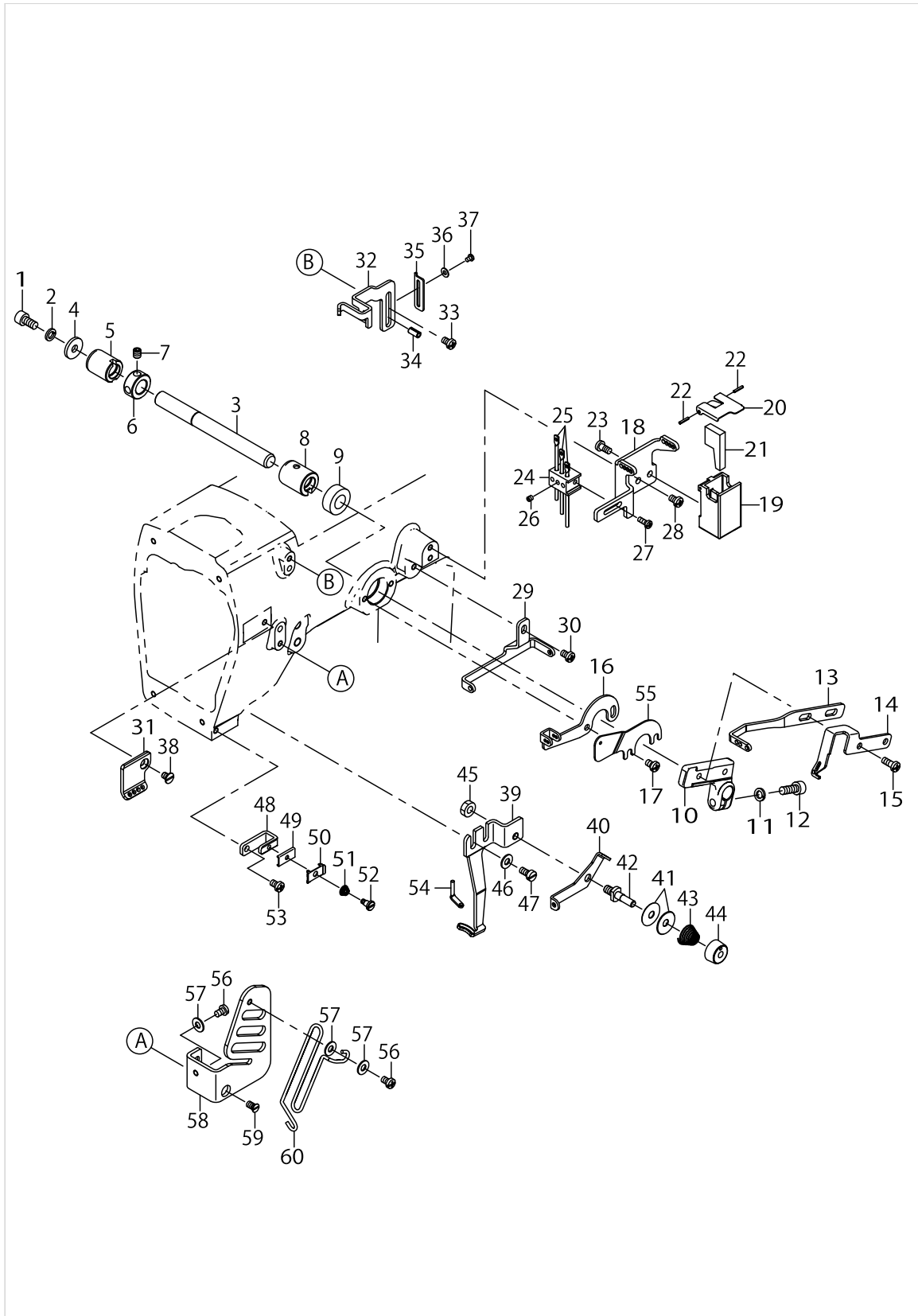
FEED DRIVE COMPONENTS (2)



FEED DRIVE COMPONENTS (2)

No.	Parts No.	Parts name	Remarks	Level	Cons	Qty
1	40040206	DIFF FEED LEVER ASSY				1
2	RO068190100	O-RING				1
3	40039630	PLATE DIFF FEED LEVER				1
4	13321203	STOPPER DIFF ADJ				2
5	WP0450826SC	WASHER 4.5X10X0.8				2
6	SM5040655SN	SCREW				2
7	70001530	SCREW				1
8	13217708	DIFFERENTIAL FEED BLOCK				1
9	WP0460556SD	WASHER 4.6X7.5X0.5				1
10	13123302	ADJUSTING SPRING				1
11	RE0300000K0	E-RING 3				1
12	13217500	DIFFERENTIAL FEED LOCK NUT				1
13	13217401	DIFFERENTIAL FEED HINGE SCREW				1
14	SM4051255SP	SCREW				1
15	SM7051460TP	SCREW M5 L=14				1
16	WP0621016SD	WASHER 6.2X13X1				1
17	70001531	ADJUSTING LEVER SPRING				1
18	13320304	BUSHING DIFF ADJ LEVER				1
19	13320403	DIFF ADJ LEVER				1
20	SM8050612TP	SCREW M5X6				1
21	40018443	DIFF ADJ LINK				1
22	31013808	HINGE SCREW				1
23	CS1000881TP	THRUST COLLAR D=10 W=8				1
24	SM8050612TP	SCREW M5X6				2
25	13323209	BUSHING DIFF ADJ LEVER				1
26	70001589	NEEDLE GUARD BASE				1
27	TA0750404R0	PLUG D=7.5 L=3.5				2
28	70001514	FEED BAR SEAL 1				1
29	70001515	FEED BAR SEAL PLATE 1				1
30	70001516	FEED BAR SEAL PLATE 2				1
31	70001517	FEED BAR SEAL 2				1
32	70001518	FEED BAR SEAL PLATE 3				1
33	SM1030400SP	SCREW M3 L=4				3
34	SM6041000SP	SCREW M4 L=10				3
35	70003995	FEED_BAR_SEAL_PLATE_4				1

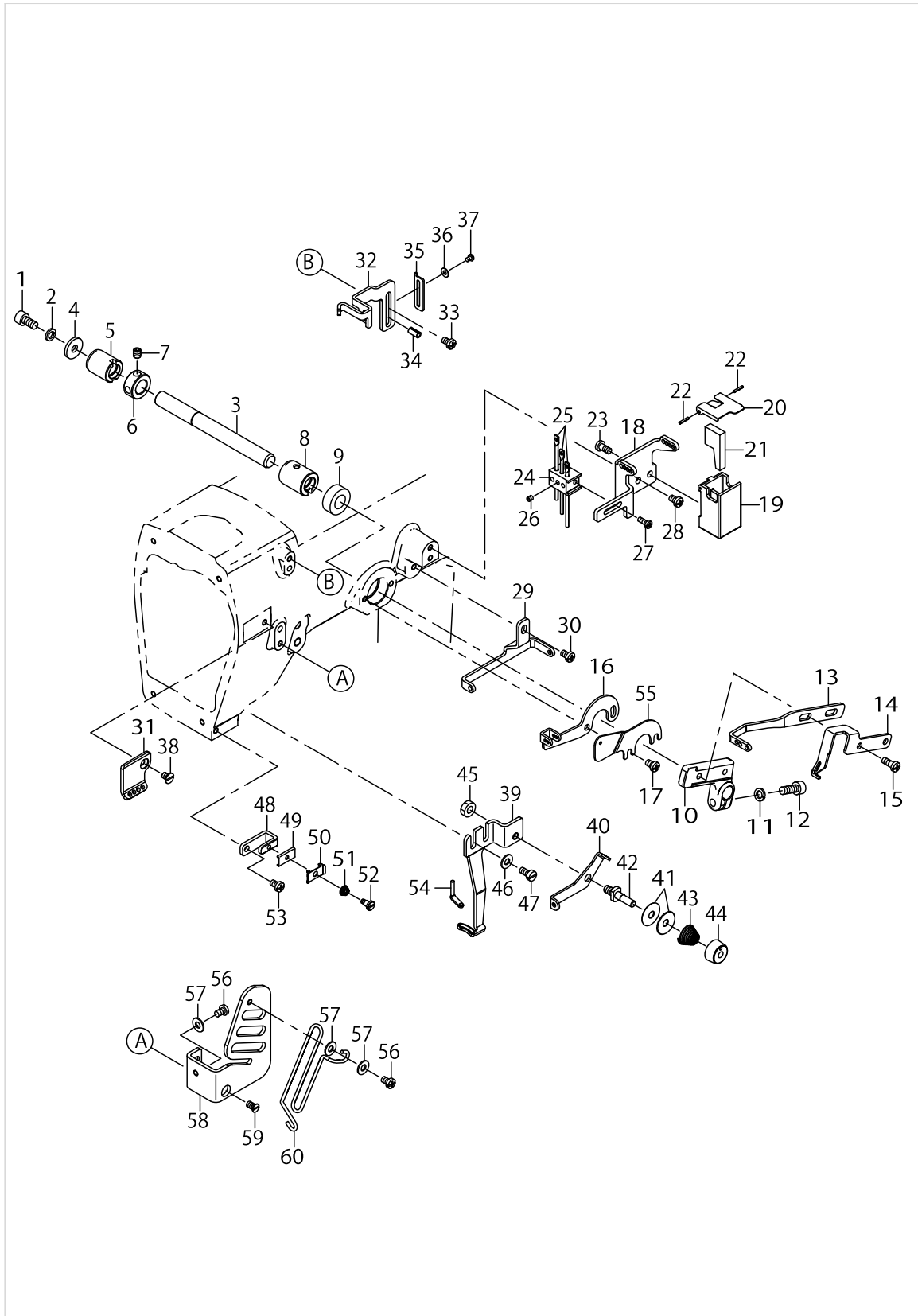
THREAD TAKE-UP LEVER COMPONENTS



THREAD TAKE-UP LEVER COMPONENTS

No.	Parts No.	Parts name	Remarks	Level	Cons	Qty
1	SM6051002TP	SCREW M5X0.8 L=10				1
2	WS0510002KP	SPRING WASHER 5.1X9.2X1.3				1
3	70001537	SHAFT				1
4	WP0522016SH	WASHER				1
5	13324504	BUSHING REAR				1
6	CS1000881TP	THRUST COLLAR D=10 W=8				1
7	SM8050612TP	SCREW M5X6				2
8	13324603	BUSHING FRONT				1
9	23612609	FEED CHANGING SHAFT OIL SEAL				1
10	13324702	HOLDER TAKE UP EYELET				1
11	WS0510002KN	SPRING WASHER M5				1
12	SM6051402TP	SCREW M5X0.8 L=14				1
13	70001548	NDL THD TAKE UP				1
14	13324900	UP LPR THREAD TAKE UP				1
15	SM4041055SP	SCREW				2
16	13325006	THREAD GUIDE				1
17	SM4040655SP	SCREW M4 L=6				2
18	70001540	THREAD TENSION GUIDE				1
19	13348008	TANK				1
20	70001546	SILICONE OIL TANK COVER				1
21	B9214850000	HEAT REMOVING FELT				1
22	PS0150082KH	SPRING PIN 1.5X8				2
23	ST4040851SN	TAPPING SCREW M4X8				2
24	13325204	HOLDER				1
25	30391601	NEEDLE THREAD EYELET				3
26	SM8030312TP	SCREW M3 L=3				3
27	SM4030855SN	SCREW M3 L=8.0				1
28	SM4040655SP	SCREW M4 L=6				2
29	70001541	THREAD GUIDE				1
30	SM4040655SP	SCREW M4 L=6				1
31	70001542	THREAD GUIDE				1
32	70001543	NDL THD STRIKE OFF				1
33	SM4040655SP	SCREW M4 L=6				1
34	PS0400082KP	SPRING PIN TYPE W 4X8				1
35	13326905	NDL THD STRIKE OFF R				1
36	WP0280501SC	WASHER M2.6				1
37	SM4850455SP	SCREW				1
38	SM1040650TP	SCREW				1
39	13326301	THREAD GUIDE UPPER LPR				1
40	13326400	THREAD GUIDE				1
41	22945802	THREAD TENSION DISK				2
42	13326509	TENSION POST				1
43	22945505	THREAD TENSION SPRING				1
44	13326608	TENSION NUT				1
45	NM6050001SC	NUT M5X0.8 TYPE1				1
46	WP0450826SC	WASHER 4.5X10X0.8				2
47	SM6040800SP	SCREW				2

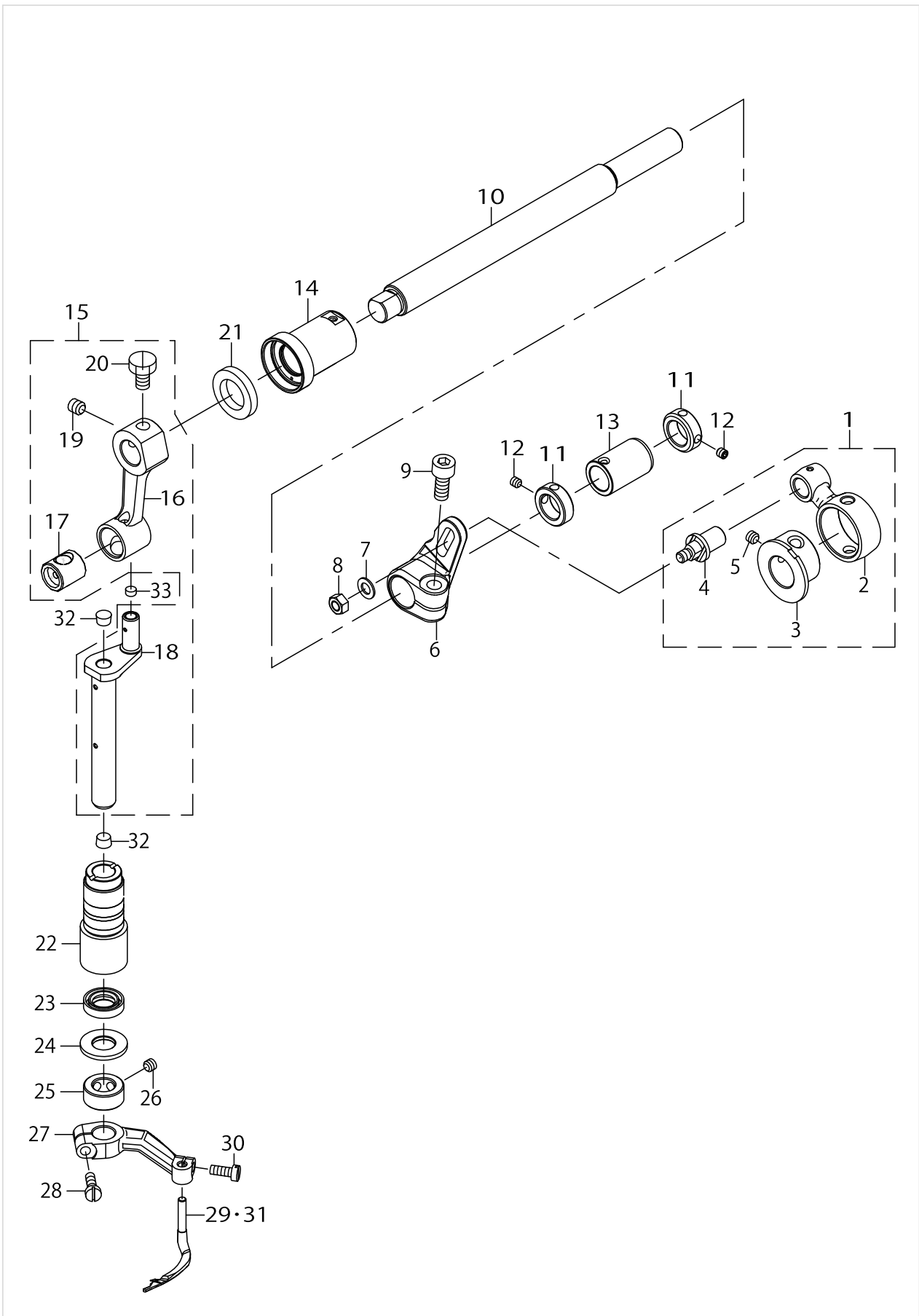
THREAD TAKE-UP LEVER COMPONENTS



THREAD TAKE-UP LEVER COMPONENTS

No.	Parts No.	Parts name	Remarks	Level	Cons	Qty
48	13325808	NIPPER PLATE SUPPORT				1
49	13325907	NIPPER PLATE				1
50	13326004	NIPPER GUIDE PLATE				1
51	13326103	SPRING				1
52	13326202	SHOULDER SCREW				1
53	SM4040655SP	SCREW M4 L=6				1
54	13326707	THREAD GUIDE				1
55	40085995	FINGER GUARD				1
56	SM4040655SP	SCREW M4 L=6				2
57	WP0450801SC	WASHER 4.5X10X0.8				3
58	70001544	TAKE UP COVER				1
59	SM1040750TP	SCREW M4 L=7				1
60	70001545	FINGER GUARD				1

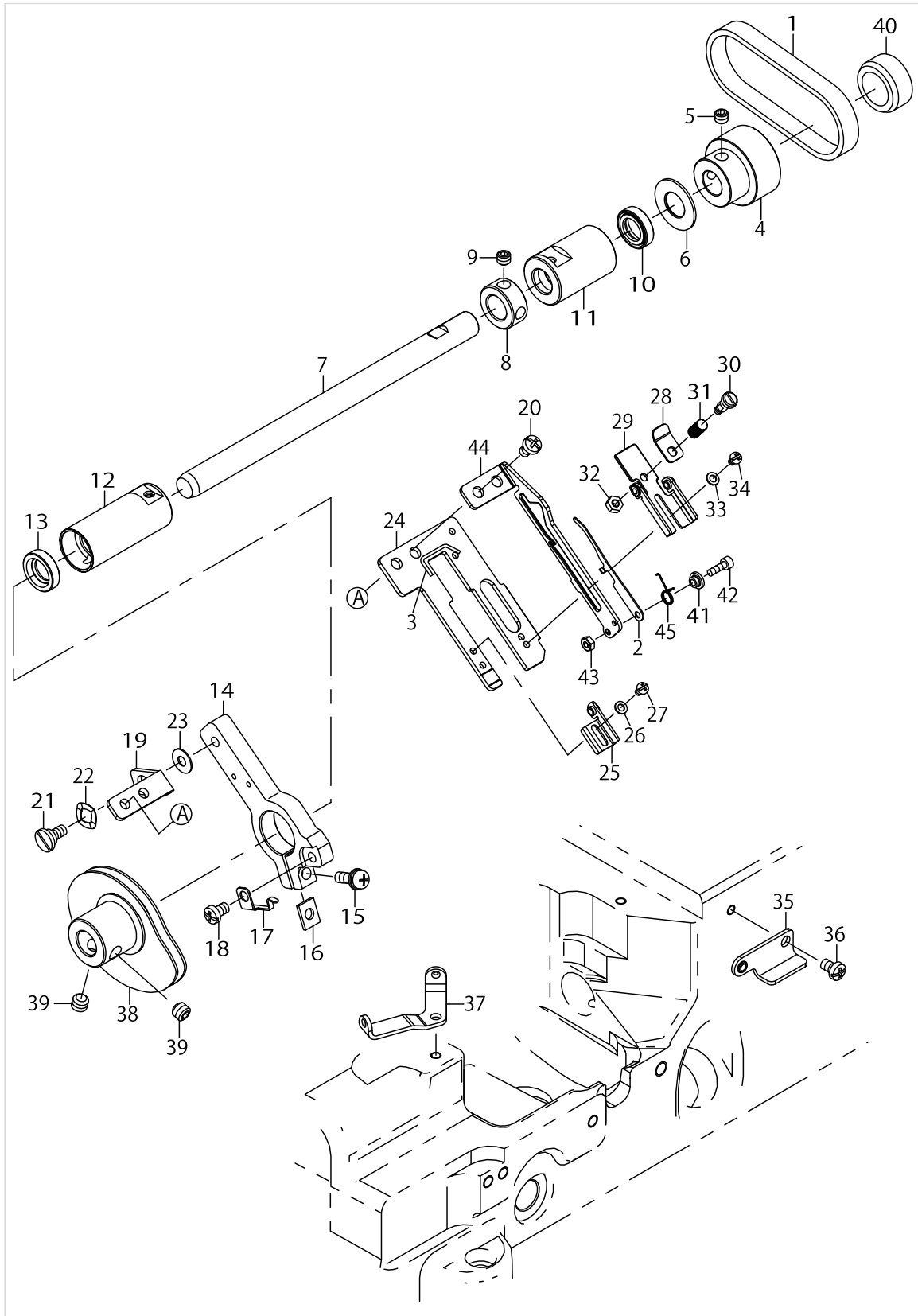
SPREADER COMPONENTS



SPREADER COMPONENTS

No.	Parts No.	Parts name	Remarks	Level	Cons	Qty
1	40078318	ASSY_UPPPER_LPR_MECH				1
2	40078319	CONNROD_FOR_UPPER_LPR		*		1
3	13328000	UPPER LOOPER ECCENTRIC		*		1
4	13328208	STUD		*		1
5	SM8050412TP	SCREW M5 L=4		*		2
6	70001555	DRIVING_ARM				1
7	WP0550800SP	WASHER 5.5X10X0.8				1
8	NM6050001SC	NUT M5X0.8 TYPE1				1
9	SM6061402TP	SCREW M6 L=14				1
10	70001561	UPPER_LOOPER_SHAFT_DRY				1
11	13399209	COLLAR				2
12	SM8040412TP	SET SCREW M4 L=4				4
13	13329008	BUSHING REAR				1
14	70001562	BUSHING_FRONT_DRY				1
15	40078311	ASSY_UPPER_LPR_MECH_2				1
16	40078312	CRANK_ROD		*		1
17	40078313	UPPER_LOOPER_ROCKER		*		1
18	40078314	U.L_SHAFT_VERTICAL		*		1
19	SM8060612TP	SCREW M6 L=6		*		1
20	SM9061050TP	SCREW M6 L=10		*		1
21	40004606	OIL SEAL				1
22	13329206	BUSHING VERTICAL				1
23	13338900	OIL SEAL				1
24	WP1022016SH	WASHER				1
25	CS1000881TP	THRUST COLLAR				1
26	SM8050412TP	SCREW M5 L=4				2
27	13328802	UPPER LOOPER HOLDER				1
28	SM6041200SP	SCREW M4 L=12				1
29	70001556	UPPER_LOOPER	EXCEPT TYPE TURKEY			1
30	SM6041000SP	SCREW M4 L=10				1
31	70001563	UPPER_LOOPER	TYPE TURKEY			1
32	TA0600401R0	PLUG				2
33	40078293	PLUG				1

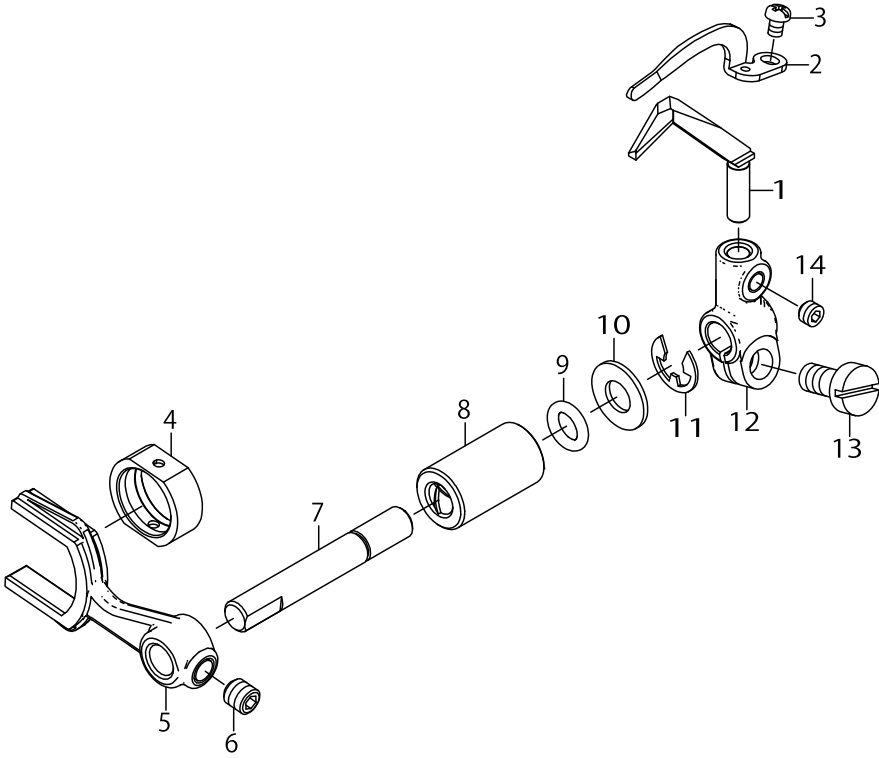
LOWER THREAD CAM COMPONENTS



LOWER THREAD CAM COMPONENTS

No.	Parts No.	Parts name	Remarks	Level	Cons	Qty
1	70001987	BELT_TAKE_UP				1
2	70001582	THREAD GUIDE PLATE				1
3	40087068	CAM THREAD CATCH				1
4	70001580	SPROCKET TAKE UP				1
5	SM8050612TP	SCREW M5X6				2
6	70001581	WASHER				1
7	70001572	SHAFT TAKE UP				1
8	CS1000881TP	THRUST COLLAR D=10 W=8				1
9	SM8050612TP	SCREW M5X6				2
10	40023441	OIL SEAL				1
11	70001573	BUSHING A TAKE UP				1
12	40023481	BUSHING B TAKE UP				1
13	40023441	OIL SEAL				1
14	13332309	BASE TAKE UP PLATE				1
15	SL4041281SC	SCREW M4 L=12				1
16	13333208	WASHER				1
17	13332903	SPRING				1
18	SM4040655SP	SCREW M4 L=6				1
19	13332804	BRACKET				1
20	SM4040655SP	SCREW M4 L=6				2
21	SD0640246SP	SHOULDER SCREW D=6.35 H=2.4				1
22	WZ0641510KP	WAVED WASHER 6.4X11X0.3				1
23	WP0410516SD	PLAIN WASHER				1
24	70001579	TAKE UP PLATE				1
25	40100791	EYELET A ASSY				1
26	WP0280500SC	WASHER				1
27	SM4850455SP	SCREW				1
28	13333307	LPR THD DISC UPPER				1
29	40100793	LPR THD GUIDE BASE ASSY				1
30	13333505	TENSION POST				1
31	13333604	LOOPER CAM SPRING				1
32	NM6030001SC	NUT M3X0.5 TYPE1				1
33	WP0280500SC	WASHER				1
34	SM4850455SP	SCREW				1
35	70001575	EYELET C ASSY				1
36	SM4040655SP	SCREW M4 L=6				1
37	13333703	EYELET D				1
38	40019335	ASSY TAKE UP				1
39	SM8060552TP	SCREW M6 L=5				2
40	TA2101002R0	RUBBER PLUG				1
41	70001584	SPRING COLLAR				1
42	SM6850802TN	SCREW M2.5 L=8				1
43	NM6850001SC	NUT M2.5X0.45 TYPE1				1
44	70001585	THREAD GUIDE				1
45	70001583	THREAD GUIDE PLATE SPRING				1

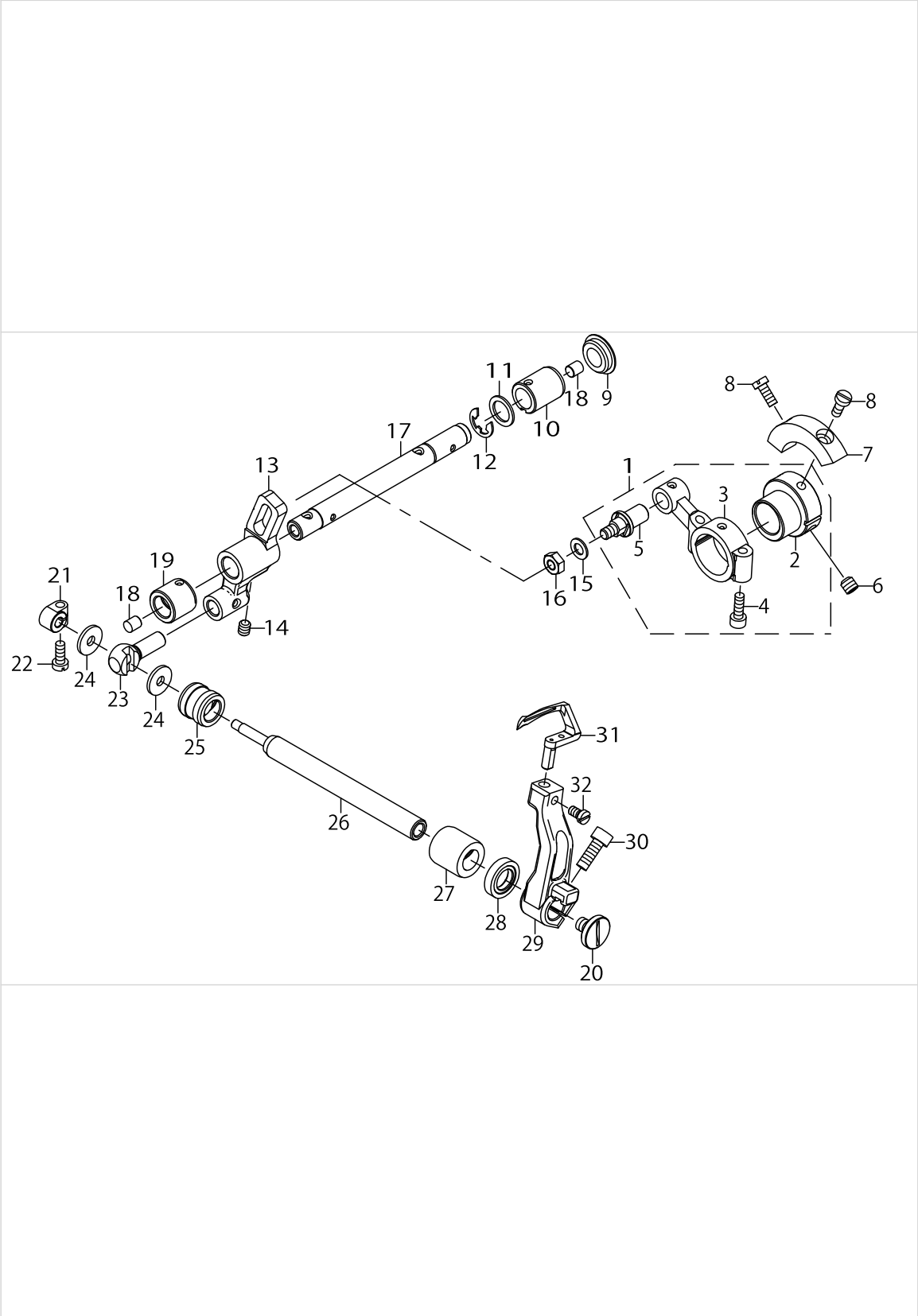
NEEDLE GUARD COMPONENTS



NEEDLE GUARD COMPONENTS

No.	Parts No.	Parts name	Remarks	Level	Cons	Qty
1	40052924	REAR NEEDLE GUARD				1
2	13334701	FRONT NDL GUARD				1
3	SM4850455SP	SCREW				1
4	70001592	NEEDLE GUARD BLOCK				1
5	70001587	FORK NEEDLE GUARD				1
6	SM8050612TP	SCREW M5X6				1
7	70001590	NEEDLE GUARD SHAFT				1
8	70001591	BUSHING NEEDLE GUARD				1
9	RO055200100	O-RING				1
10	WP0621016SD	WASHER 6.2X13X1				1
11	RE0500000K0	E-RING				1
12	70001588	REAR NEEDLE GUARD HOLDER				1
13	SM6051000SP	SCREW				1
14	SM8040312TP	SCREW M4 L=3				1

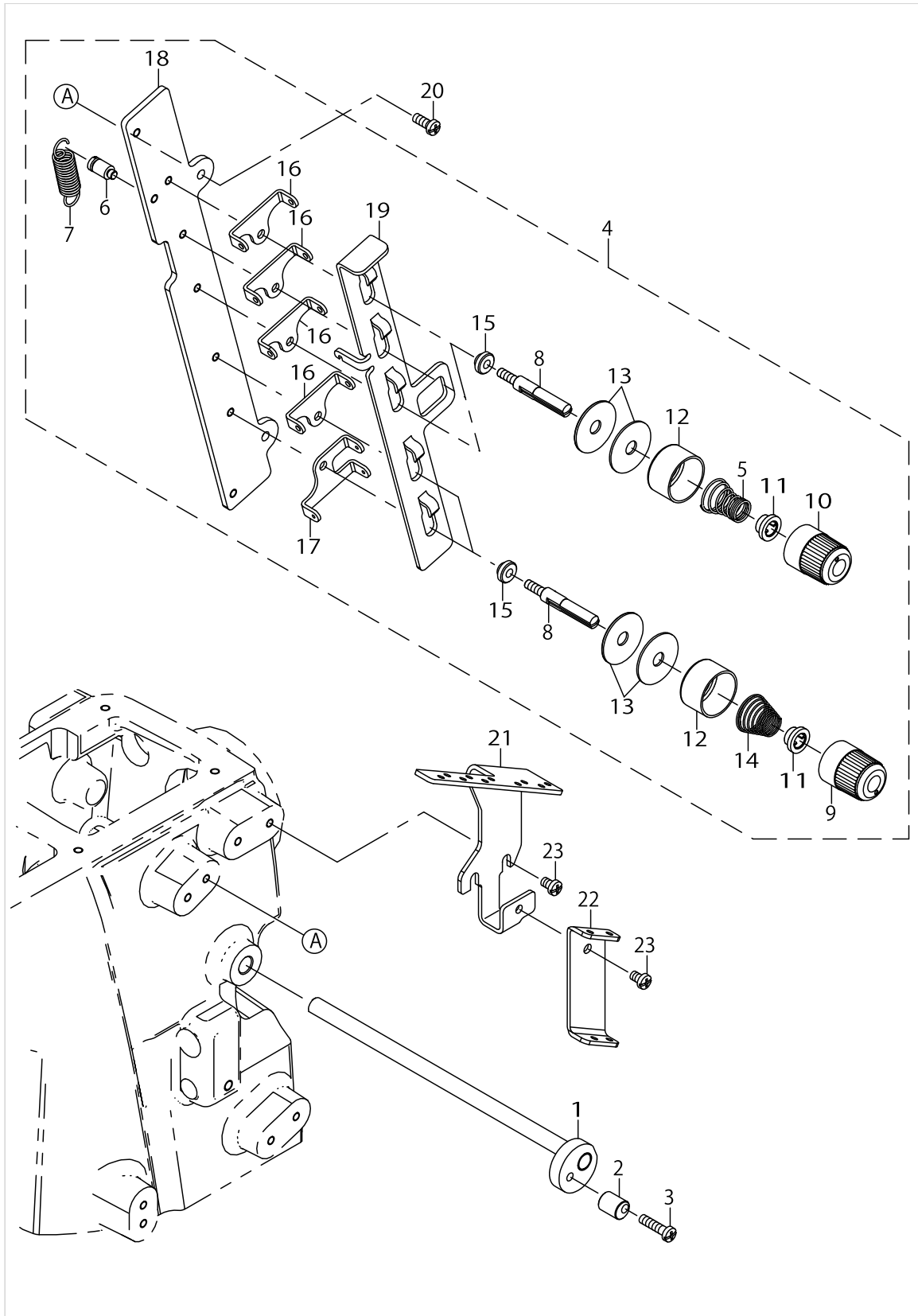
LOOPER COMPONENTS



LOOPER COMPONENTS

No.	Parts No.	Parts name	Remarks	Level	Cons	Qty
1	13337357	ECC LOOPER AVOID ASSY				1
2	13337308	ECC LOOPER AVOID		*		1
3	13337407	LOOPER ROD AVOID		*		1
4	SM6041202TP	SCREW M4X0.7 L=12		*		2
5	13337506	PIN LOOPER AVOID		*		1
6	SM8060612TP	SCREW M6 L=6				2
7	13338801	BALANCE WEIGHT LP				1
8	SM6041000SP	SCREW M4 L=10				2
9	TA1600406R0	PRUG				1
10	70001601	BUSHING LPR RIGHT				1
11	WP1021026SH	WASHER				1
12	RE0700000K0	E-RING 7				1
13	13337605	CRANK LOOPER AVOID				1
14	SM8050612TP	SCREW M5X6				1
15	WP0550800SP	WASHER 5.5X10X0.8				1
16	NM6050001SC	NUT M5X0.8 TYPE1				1
17	13338504	LOOPER SHAFT AVOID				1
18	TA0500601M0	PLUG D=5X5.4 L=6				2
19	70001602	BUSHING LPR LEFT				1
20	40052522	SCREW				1
21	13337704	COLLAR LOOPER AVOID				1
22	SM6041000SP	SCREW M4 L=10				1
23	13337803	LOOPER AVOID PIN				1
24	WP0461516SH	WASHER				2
25	70001603	BUSHING LPR SHAFT REAR				1
26	40050448	LOOPER SHAFT				1
27	70001604	BUSHING LPR SHAFT FRONT				1
28	13338900	OIL SEAL				1
29	40050449	LOOPER HOLDER				1
30	SM6051402TP	SCREW M5X0.8 L=14				1
31	13337902	LOOPER				1
32	SM6040750TP	SCREW M4 L=7				1

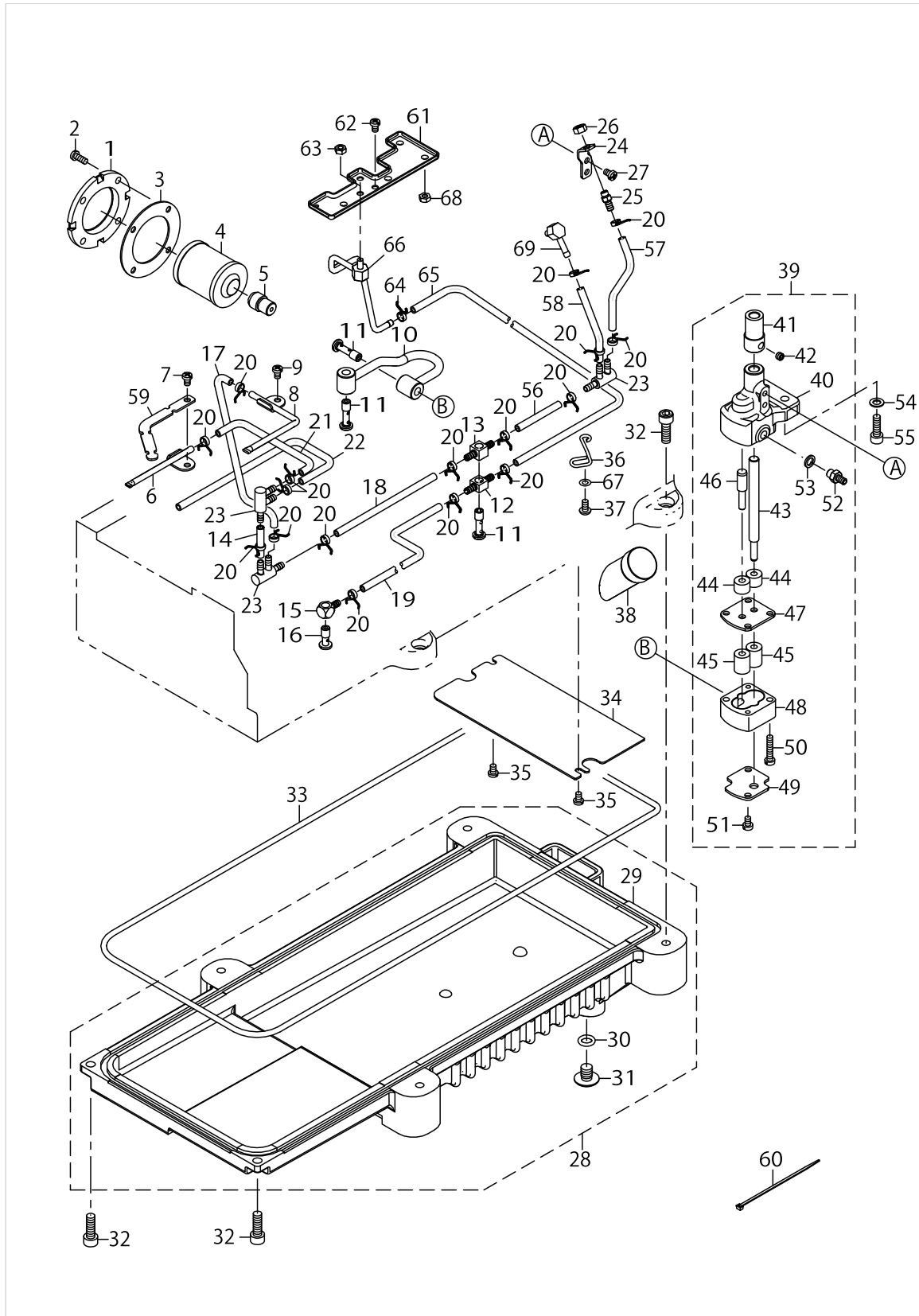
THREAD TENSION COMPONENTS



THREAD TENSION COMPONENTS

No.	Parts No.	Parts name	Remarks	Level	Cons	Qty
1	70001610	ASSY PULL OFF LEVER				1
2	40065785	TENS RELEASE ADJ ECC				1
3	SM4041655SP	SCREW M4 L=16				1
4	70001612	THREAD TENSION ASSY				1
5	13140504	TENSION SPRING		*		3
6	13340302	SHOULDER SCREW		*		1
7	26019000	THREAD TENSION SPRING		*		1
8	70001620	TENSION POST		*		5
9	40042363	KNOB		*		2
10	40042364	KNOB GREEN		*		3
11	40042365	SPRING BUSHING		*		5
12	40042366	THREAD TENSION DISK PRESSER		*		5
13	40101602	THREAD TENSION DISC		*		10
14	40102003	SPRING		*		2
15	70001617	SPACER		*		5
16	70001615	TENSION DISC EYELET A		*		4
17	70001616	TENSION DISC EYELET B		*		1
18	70001613	TENSION POST SUPPORT		*		1
19	70001614	TENSION DISC SEPARATOR		*		1
20	SM4041055SP	SCREW				2
21	13340005	THREAD GUIDE PLATE				1
22	13340104	THREAD GUIDE				1
23	SM4040655SP	SCREW M4 L=6				3

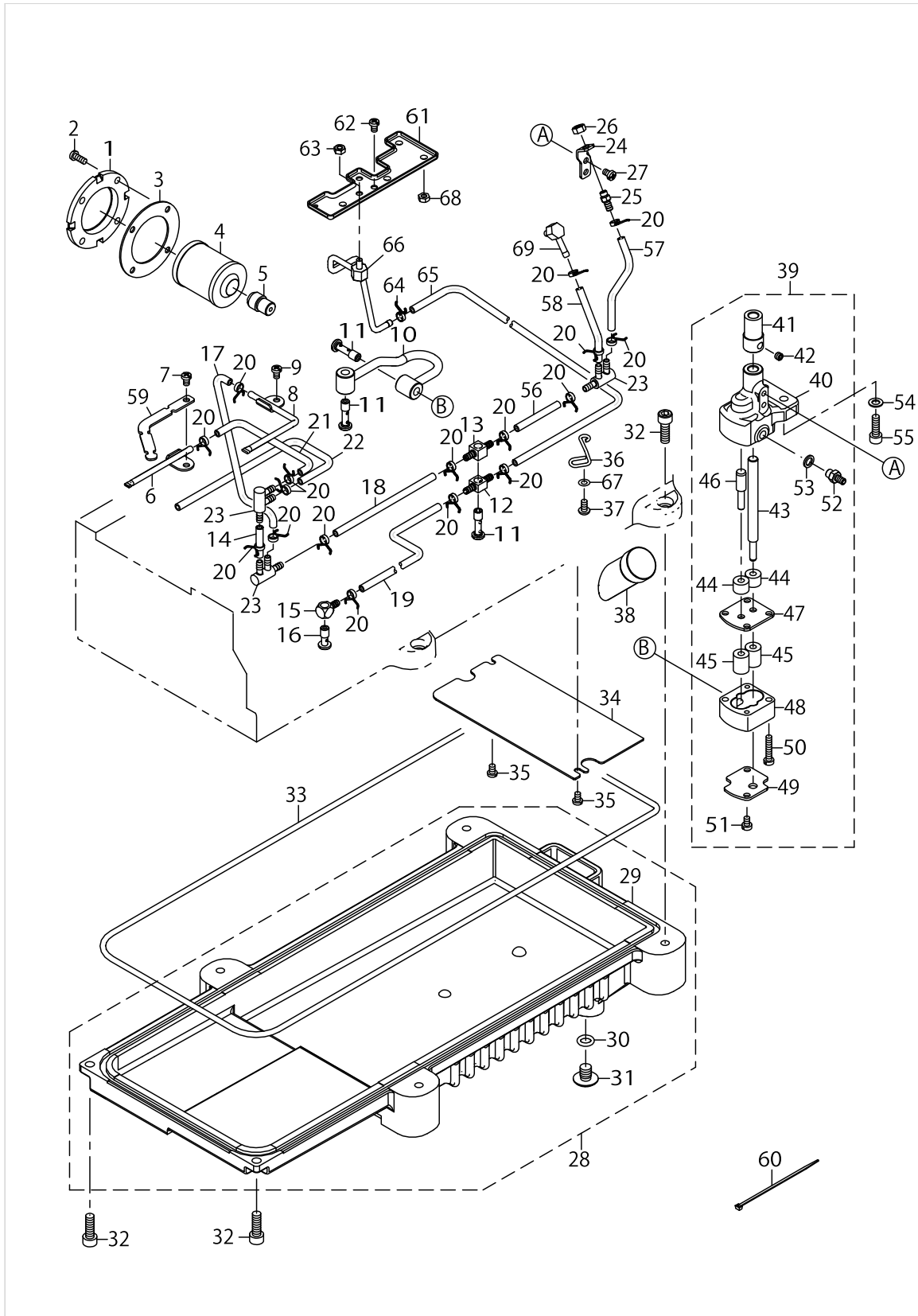
LUBRICATION COMPONENTS



LUBRICATION COMPONENTS

No.	Parts No.	Parts name	Remarks	Level	Cons	Qty
1	13345202	FILTER_COVER				1
2	SM4041055SP	SCREW				4
3	13344809	GASKET O				1
4	13142500	CARTRIDGE FILTER				1
5	13343801	FITTING FILTER				1
6	13346556	ASSY_OIL_SUPPLY				1
7	SM4040655SP	SCREW M4 L=6				1
8	13345855	OIL SUPPLY ASSY				1
9	SM4040655SP	SCREW M4 L=6				1
10	70001634	ASSY_OIL_PIPE				1
11	SQ2060442SD	CONNECTING SCREW				3
12	SQ0000454MZ	CONNECTING SCREW				1
13	SQ0000453MZ	CONNECTING SCREW				1
14	BP30000010R	VINYL PIPE				0.04
15	SQ0000452MZ	CONNECTING SCREW				1
16	SQ2060441SD	CONNECTING SCREW				1
17	BP30000010R	VINYL PIPE				0.12
18	BP30000010R	VINYL PIPE				0.12
19	BP30000010R	VINYL PIPE				0.19
20	23629306	PIPE STOPPER A				17
21	BP30000010R	VINYL PIPE				0.1
22	BP30000010R	VINYL PIPE				0.2
23	23629504	DISTRIBUTOR				3
24	13346705	CONNECTING_SCR_BRACKET				1
25	SQ2050452MZ	CONNECTING SCREW				1
26	NM6050001SC	NUT M5X0.8 TYPE1				1
27	SM4040655SP	SCREW M4 L=6				2
28	40024405	ASSY_OIL_PAN				1
29	13345509	OIL PAN		*		1
30	13170105	RUBBER RING		*		1
31	13171004	DRAIN SCREW		*		1
32	SM6061802TP	SCREW M6 L=18				6
33	13345608	O RING				1
34	13345905	COVER PLATE				1
35	SM4040655SP	SCREW M4 L=6				2
36	70001636	OIL_TUBE HOLDER				1
37	SM4040855SP	SCREW				1
38	13346101	OIL SIGHT GAUGE				1
39	13345459	ASSY_PUMP_2-STAGE				1
40	13343108	OIL PUMP HOUSING		*		1
41	13343009	WORM WHEEL		*		1
42	SM8050412TP	SCREW M5 L=4		*		2
43	13345400	OIL PUMP SHAFT LARGE		*		1
44	13228309	OIL PUMP PINION		*		2
45	13228200	OIL PUMP PINION		*		2
46	13227905	GEAR PUMP SHAFT		*		1
47	13343405	OIL PUMP SPACER		*		1

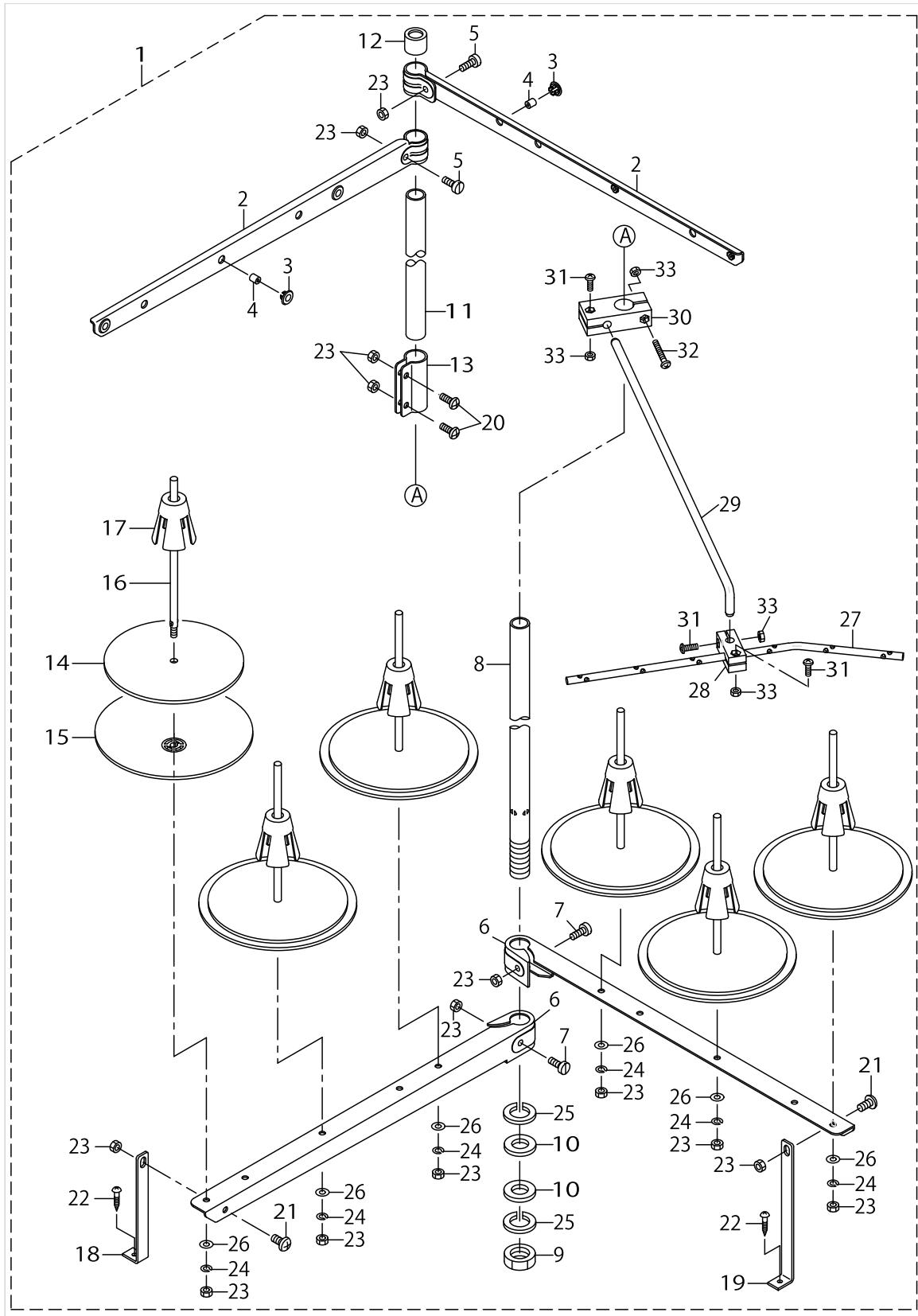
LUBRICATION COMPONENTS



LUBRICATION COMPONENTS

No.	Parts No.	Parts name	Remarks	Level	Cons	Qty
48	13343207	OIL PUMP CASING		*		1
49	13343306	OIL PUMP COVER		*		1
50	SM6042000SP	SCREW		*		2
51	SM6040600SP	SCREW M4 L=6		*		2
52	SQ2060451MZ	CONNECTING SCREW		*		1
53	40004749	GASCKET		*		1
54	WP0550800SP	WASHER 5.5X10X0.8				2
55	SM6051602TP	SCREW M5X0.8 L=16				2
56	BP30000010R	VINYL PIPE				0.05
57	BP30000010R	VINYL PIPE				0.14
58	BP30000010R	VINYL PIPE				0.1
59	70001639	PIPE HOLDER				1
60	EA9500B0100	CABLE BAND				5
61	70001631	OIL_SAUCER				1
62	SM4040655SP	SCREW M4 L=6				2
63	NM6040000SN	NUT M4				1
64	23629306	PIPE STOPPER A				1
65	BP30000010R	VINYL PIPE				0.5
66	13345053	ASSY_OIL_SUPPLY_FOR_TOP				1
67	WP0450801SC	WASHER 4.5X10X0.8				1
68	NM6040000SN	NUT M4				1
69	70001975	ASSY_OIL_SUPPLY				1

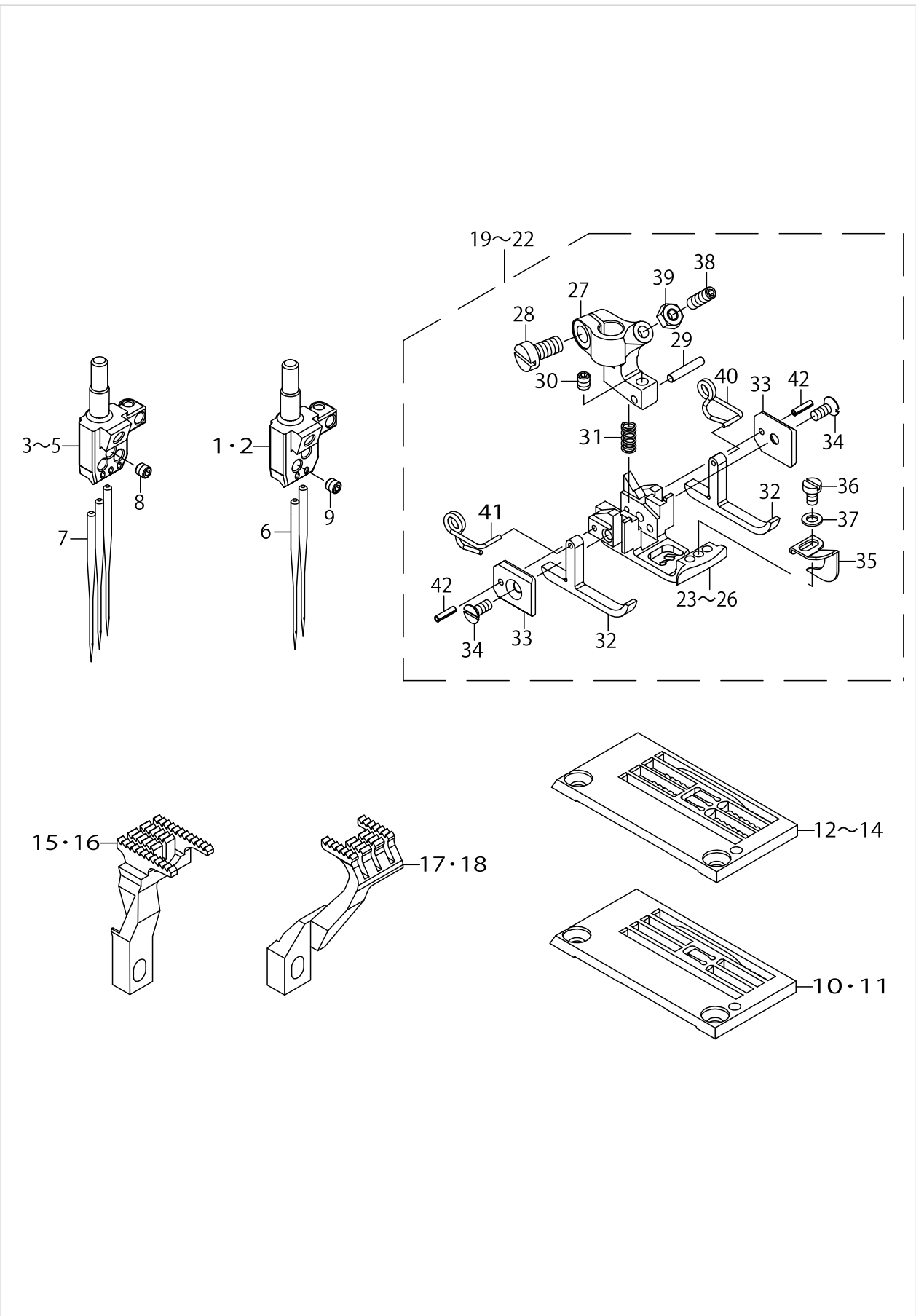
THREAD STAND COMPONENTS



THREAD STAND COMPONENTS

No.	Parts No.	Parts name	Remarks	Level	Cons	Qty
1	40106592	THREAD STAND ASM.				1
2	40106575	SPOOL REST LONG ARM UPPER		*		2
3	40085795	THREAD GUIDE BUSHING		*		6
4	40085794	THREAD GUIDE		*		6
5	40096327	SPOOL REST ARM UPPER SCREW		*		2
6	40106574	SPOOL REST LONG ARM LOWER		*		2
7	40096326	SPOOL REST ARM LOWER SCREW		*		2
8	40085784	SPOOL REST ROD LOWER		*		1
9	40096325	SPOOL REST ROD NUT		*		1
10	40085796	SPOOL REST ROD RUBBER CUSHION		*		2
11	40085785	SPOOL REST ROD UPPER		*		1
12	40085793	SPOOL REST ROD RUBBER CAP		*		1
13	40085792	SPOOL REST ROD JOINT		*		1
14	40085789	SPOOL REST CUSHION		*		6
15	40085788	SPOOL REST		*		6
16	40085790	SPOOL PIN		*		6
17	40085791	SPOOL RETAINER		*		6
18	40106577	SPOOL REST ARM LOWER A		*		1
19	40106578	SPOOL REST ARM LOWER B		*		1
20	SM4051405SE	SCREW M5 L=14		*		2
21	SM4051001SE	SCREW M5 L=10		*		2
22	SK3412001SE	WOOD SCREW D=4.1 L=20		*		2
23	NM6050001SE	NUT M5X0.8 TYPE1		*		14
24	WP0531001SC	WASHER M5		*		6
25	WP1612616SE	WASHER 16X30X2.6		*		2
26	WS0510002KN	SPRING WASHER M5		*		6
27	40106583	THREAD GUIDE 6		*		1
28	40106580	THREAD GUIDE UNDER BASE		*		1
29	40106576	THREAD GUIDE ARM		*		1
30	40106579	THREAD GUIDE ARM BASE		*		1
31	SM4041201SC	SCREW M4X0.7 L=12		*		3
32	SM4042501SC	SCREW M4X0.7 L=25		*		1
33	NM6040002SC	NUT M4X0.7 TYPE2		*		4

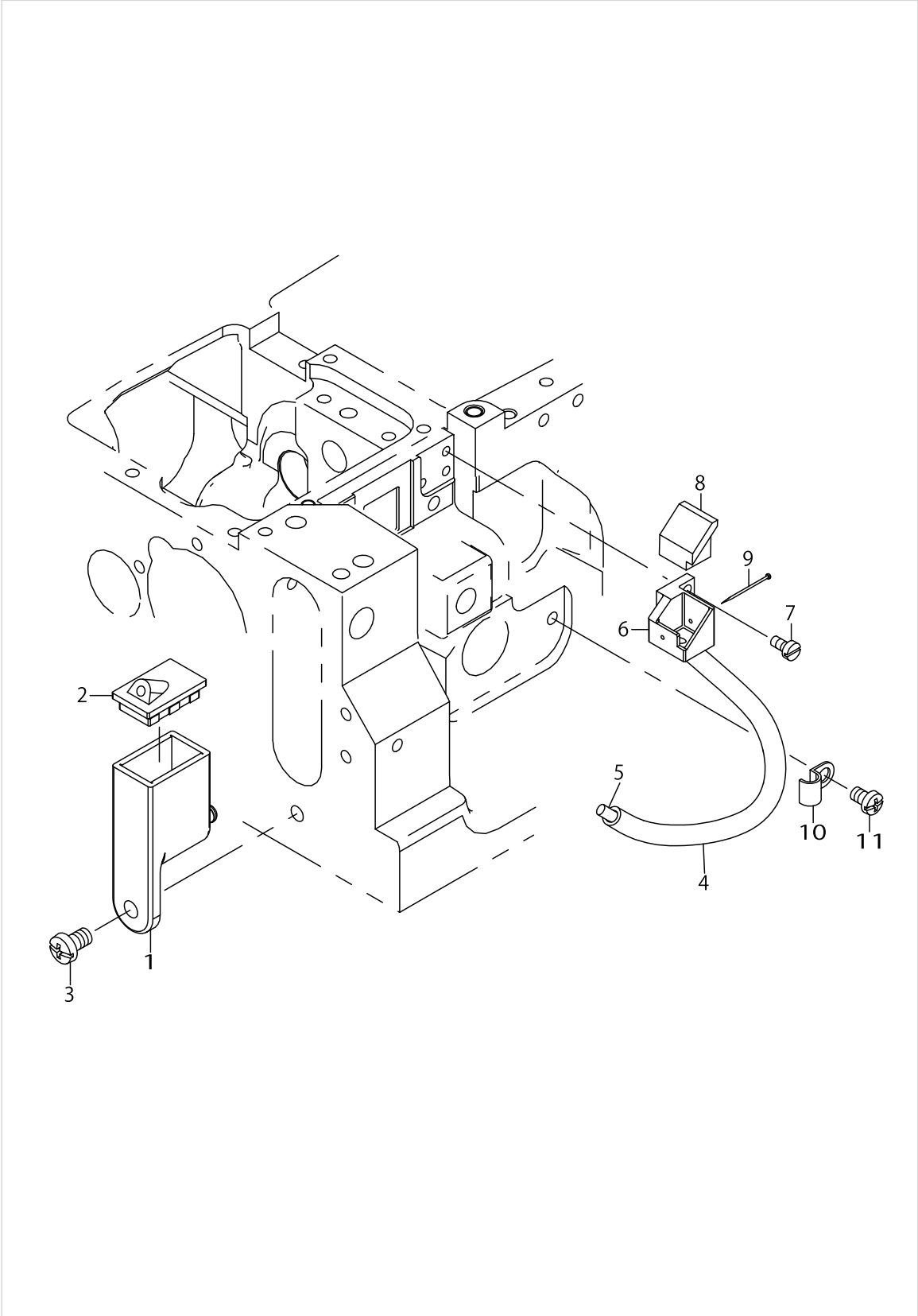
GAUGE PARTS COMPONENTS



GAUGE PARTS COMPONENTS

No.	Parts No.	Parts name	Remarks	Level	Cons	Qty
1	13350004	NEEDLE HEAD 32	FOR B32			1
2	13350103	NEEDLE HEAD 40	FOR B40			1
3	13350202	NEEDLE HEAD 48	FOR B48			1
4	13350301	NEEDLE HEAD 56	FOR B56			1
5	13350400	NEEDLE HEAD 64	FOR B64			1
6	MUY128S1000	NEEDLE UYX128GAS (S BALL POINT) #10S	FOR B32,B40			2
7	MUY128S1000	NEEDLE UYX128GAS (S BALL POINT) #10S	FOR B48,B56,B64			3
8	SM8030312TP	SCREW M3 L=3	FOR B32,B40			4
9	SM8030312TP	SCREW M3 L=3	FOR B48,B56,B64			3
10	40058587	THROAT PLATE	FOR B32			1
11	40058706	THROAT PLATE	FOR B40			1
12	40040514	THROAT PLATE	FOR B48			1
13	40058033	THROAT PLATE	FOR B56			1
14	40040513	THROAT PLATE	FOR B64			1
15	13354204	MAIN FEED DOG	FOR B32,B40,B48			1
16	13353701	MAIN FEED DOG	FOR B56,B64			1
17	13358304	DIFF FEED DOG	FOR B32,B40,B48			1
18	13357603	DIFF FEED DOG	FOR B56,B64			1
19	40090133	PRESSER FOOT ASSY	FOR B32			1
20	40090196	PRESSER FOOT ASSY	FOR B40			1
21	40090197	PRESSER FOOT ASSY	FOR B48			1
22	40082974	PRESSER FOOT ASSY	FOR B56,B64			1
23	40090130	PRESSER FOOT BOTTOM	FOR B32	*		1
24	40090131	PRESSER FOOT BOTTOM	FOR B40	*		1
25	40090132	PRESSER FOOT BOTTOM	FOR B48	*		1
26	40082975	PRESSER FOOT BOTTOM	FOR B56,B64	*		1
27	40070224	PRESSER FOOT HINGE		*		1
28	SM6040800SP	SCREW		*		1
29	13375209	PIVOT PIN		*		1
30	SM8030412TP	SCREW		*		1
31	13377106	SPRING		*		1
32	40070226	P_F_YIELDING SECTION		*		2
33	40070227	GUIDE PLATE		*		2
34	SM1850600SP	SCREW		*		2
35	40070231	PRESSER FOOT GUIDE		*		1
36	SM6850400SP	SCREW M2.5 L=4		*		1
37	WP0280500SC	WASHER		*		1
38	SM8031002TP	SCREW		*		1
39	NM6030001SD	NUT M3X0.5 TYPE1		*		1
40	40070230	SPRING R		*		1
41	40070229	SPRING L		*		1
42	PS0150065KP	SPRING PIN 1.5X6		*		2

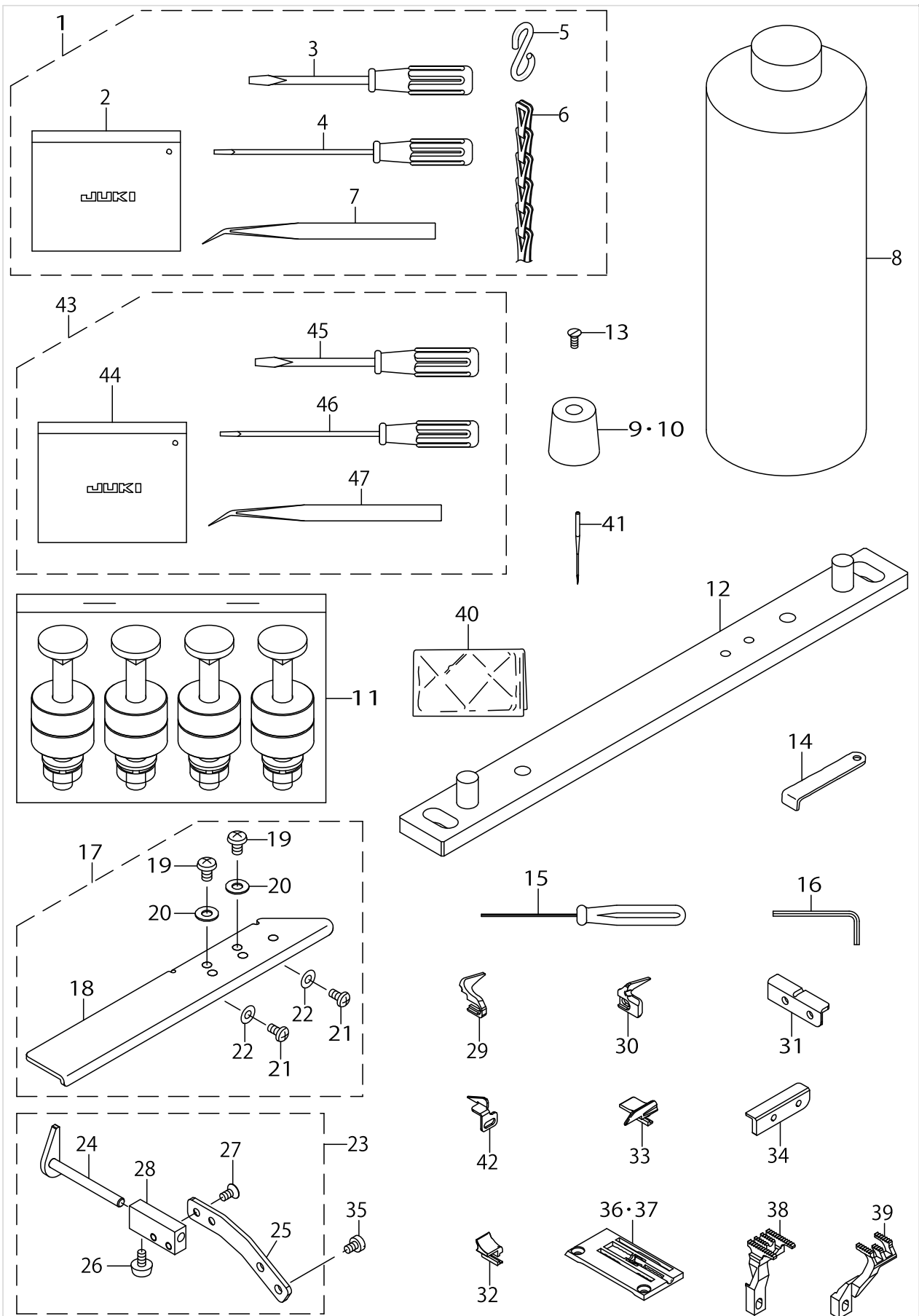
NEEDLE COOLING COMPONENTS



NEEDLE COOLING COMPONENTS

No.	Parts No.	Parts name	Remarks	Level	Cons	Qty
1	40056919	SILICONE OIL TANK				1
2	13429105	SILICONE OIL TANK CAP				1
3	SM4050855SP	SCREW				1
4	BT0600402EA	URETHANE TUBE CLEAR BLUE 6X4				0.15
5	CQ303000000	COTTON OIL WICK D=3				0.3
6	70001644	SILICONE OIL CUP				1
7	SM6030600SP	SCREW M3X0.5 L=6				2
8	13348305	FELT				1
9	11856101	NEEDLE COOLER PIN				1
10	B3538112000	OIL RETURN TUBE HOLDER				1
11	SM4040655SP	SCREW M4 L=6				1

ACCESSORIES PARTS COMPONENTS



ACCESSORIES PARTS COMPONENTS

No.	Parts No.	Parts name	Remarks	Level	Cons	Qty
1	40013913	ACCESSORY_BAG_ASSY				1
2	22932800	ACCESSORIE BAG		*		1
3	22933105	SCREW DRIVER,MIDDLE		*		1
4	12347308	SCREW DRIVER (SMALL)		*		1
5	13160304	S SHAPED HOOK		*		2
6	70001840	CHAIN		*		1
7	12288403	TWEEZERS		*		1
8	MML018800CB	JUKI CORPORATION GENUINE OIL 1				1
9	40072505	ISOLATOR				1
10	13155403	ISOLATOR				3
11	13348966	ASSY_BOLT_SET				1
12	13348859	SUPPORT_PLATE_ASSY				2
13	13302203	SCREW				1
14	B9101490000	DRIVER				1
15	40032763	HEXAGONAL_DRIVER(1.5)				1
16	J106600000B	HEXAGONAL WRENCH KEY (2MM)				1
17	40099374	BINDER_BRACKET_ASSY				1
18	40099373	BINDER_BRACKET		*		1
19	SM5050855SN	SCREW M5 L=8		*		2
20	WP0550836SC	WASHER 5.5X12X0.8		*		2
21	SM4040855SP	SCREW		*		2
22	WP0450801SP	WASHER		*		2
23	70001964	HEM_GUIDE_BASE_ASSY				1
24	70001967	HEM_GUIDE		*		1
25	70001962	HEM_GUIDE_BASE_1		*		1
26	40019379	KNOB_SCREW		*		1
27	SM1040801SC	SCREW M4X0.7 L=8		*		2
28	70001963	HEM_GUIDE_BASE_2		*		1
29	70001813	COVERING_GUIDE_RIGHT				1
30	70001814	COVERING_GUIDE_LEFT				1
31	40099375	BRACKET_B				1
32	70001838	COVERING_GUARD_L				1
33	70001839	COVERING_GUARD_R				1
34	70001846	BRACKET				1
35	SM6040650TP	SCREW				2
36	13352307	THROAT_PLATE	FOR B56			1
37	13352406	THROAT_PLATE	FOR B64			1
38	70001946	MAIN_FEED_DOG	FOR B56,B64			1
39	70001947	DIFF_FEED_DOG	FOR B56,B64			1
40	40066644	HEAD_COVER				1
41	MUY128S1003	NEEDLES(PACKAGE_OF_3)				1
42	70001842	GUIDE_LEFT				1
43	70004227	ACCESSORY_BAG_ASSY	FOR UT35,UT37			1
44	22932800	ACCESSORIE BAG		*		1
45	22933105	SCREW DRIVER,MIDDLE		*		1
46	12347308	SCREW DRIVER (SMALL)		*		1
47	12288403	TWEEZERS		*		1

HOW TO MAKE USE OF THIS PARTS LIST

1.As to "#01" and "#02" refer to the "Note" given at the bottom of the respective pages.

2.Codes on the "Qty" column

- Each numeral indicates the number of parts required.
- "0.1" and "2.5" indicate the length (in meters) of the respective parts.

3.Parentheses mean that the corresponding part is a subpart that constructs an assembly part.

4.Dotted lines on the Figures indicate assembly parts.

1. リストページの# 0 1、# 0 2の印は、ページ下の"注記"の説明を参照下さい。
2. 数量欄の数字は、個数を表し、0. 1、2. 5等の数値は、長さ（単位メートル）を表します。
3. 数量欄の（ ）は、組部品を構成している子部品であることを意味します。
4. イラストページの-----枠は、組構成であることを意味します。

NUMERICAL INDEX OF PARTS

PART NO	PAGE	REF NO.	PART NO	PAGE	REF NO.	PART NO	PAGE	REF NO.
10753309	2	9	13315908	12	8	13325006	24	16
11856101	46	9	13317201	16	12	13325204	24	24
12288403	48	47	13317300	16	19	13325808	26	48
12347308	48	46	13317409	16	20~22	13325907	26	49
13123302	22	10	13317508	16	20~22	13326004	26	50
13140504	36	5	13317607	16	20~22	13326103	26	51
13142500	38	4	13317706	16	24	13326202	26	52
13155403	48	9·10	13317805	18	61	13326301	24	39
13160304	48	5	13317904	18	57	13326400	24	40
13170105	38	30	13318001	18	48	13326509	24	42
13171004	38	31	13318100	18	49	13326608	24	44
13217401	22	13	13318209	16	47	13326707	26	54
13217500	22	12	13318308	18	54	13326806	14	60
13217708	22	8	13318506	18	63	13326905	24	35
13227905	38	46	13318605	18	77	13328000	28	3
13228200	38	45	13318704	16	14~16	13328208	28	4
13228309	38	44	13318803	16	14~16	13328802	28	27
13300801	2	12	13318902	16	14~16	13329008	28	13
13301106	2	25	13319009	16	42	13329206	28	22
13301205	2	24	13319405	18	73	13332309	30	14
13301700	2	15	13319504	18	76	13332804	30	19
13301809	4	25	13319702	16	32	13332903	30	17
13302104	4	53	13319900	16	35	13333208	30	16
13302104	6	53	13319959	16	34	13333307	30	28
13302203	4	24	13320007	16	36	13333505	30	30
13302203	48	13	13320106	16	37	13333604	30	31
13302302	4	49	13320304	22	18	13333703	30	37
13302302	6	49	13320403	22	19	13334701	32	2
13302708	4	46	13321203	22	4	13337100	8	19
13304209	6	54	13321708	16	28	13337308	34	2
13304308	4	48	13322003	18	81	13337357	34	1
13304308	6	48	13322102	18	84	13337407	34	3
13305107	4	45	13322201	18	79	13337506	34	5
13307251	10	48	13322409	16	30	13337605	34	13
13307301	10	53	13323209	22	25	13337704	34	21
13307509	8	13	13323308	16	8~10	13337803	34	23
13308457	8	8	13323407	16	8~10	13337902	34	31
13308507	8	32	13323506	16	8~10	13338504	34	17
13308705	8	28	13323803	16	5	13338801	34	7
13308804	8	1	13324108	8	64	13338900	28	23
13309208	10	73	13324108	10	64	13338900	34	28
13313101	12	3	13324504	24	5	13340005	36	21
13313309	12	4	13324603	24	8	13340104	36	22
13313804	12	11	13324702	24	10	13340302	36	6
13314109	12	15	13324900	24	14	13343009	38	41

NUMERICAL INDEX OF PARTS

PART NO	PAGE	REF NO.	PART NO	PAGE	REF NO.	PART NO	PAGE	REF NO.
13343108	38	40	22933105	48	45	40070230	44	40
13343207	40	48	22945505	24	43	40070231	44	35
13343306	40	49	22945802	24	41	40070573	12	2
13343405	38	47	23612609	24	9	40070574	12	1
13343801	38	5	23629306	38	64	40072505	48	9·10
13344809	38	3	23629306	40	64	40078278	10	67~69
13345053	40	66	23629504	38	23	40078279	10	67~69
13345202	38	1	26019000	36	7	40078280	10	67~69
13345400	38	43	30391601	24	25	40078282	10	77
13345459	38	39	31013808	22	22	40078291	14	54
13345509	38	29	40004606	28	21	40078292	14	48
13345608	38	33	40004749	40	53	40078293	12	45
13345855	38	8	40013913	48	1	40078293	28	33
13345905	38	34	40018443	22	21	40078295	14	58
13346101	38	38	40018922	8	10	40078296	14	65
13346556	38	6	40019335	30	38	40078299	14	63
13346705	38	24	40019379	48	26	40078300	14	64
13348008	24	19	40023441	30	13	40078301	14	55
13348305	46	8	40023481	30	12	40078302	14	50
13348859	48	12	40024405	38	28	40078303	14	52
13348966	48	11	40032763	48	15	40078304	14	56
13350004	44	1·2	40033341	2	14	40078305	14	49
13350103	44	1·2	40035711	8	44	40078306	14	51
13350202	44	3~5	40039630	22	3	40078307	12	17
13350301	44	3~5	40040206	22	1	40078311	28	15
13350400	44	3~5	40040513	44	12~14	40078312	28	16
13352307	48	36·37	40040514	44	12~14	40078313	28	17
13352406	48	36·37	40042363	36	9	40078314	28	18
13353701	44	15·16	40042364	36	10	40078317	14	62
13354204	44	15·16	40042365	36	11	40078318	28	1
13357603	44	17·18	40042366	36	12	40078319	28	2
13358304	44	17·18	40050448	34	26	40078320	14	66
13375209	44	29	40050449	34	29	40081965	10	79
13377106	44	31	40052522	34	20	40082196	4	21
13398409	18	71	40052924	32	1	40082974	44	19~22
13399209	28	11	40056919	46	1	40082975	44	23~26
13406707	8	3	40058033	44	12~14	40085784	42	8
13407408	8	6	40058587	44	10·11	40085785	42	11
13409800	4	28	40058706	44	10·11	40085788	42	15
13426903	4	2	40065785	36	2	40085789	42	14
13429105	46	2	40066644	48	40	40085790	42	16
22901805	2	34	40070224	44	27	40085791	42	17
22902506	2	2	40070226	44	32	40085792	42	13
22924708	2	11	40070227	44	33	40085793	42	12
22932800	48	44	40070229	44	41	40085794	42	4

NUMERICAL INDEX OF PARTS

PART NO	PAGE	REF NO.	PART NO	PAGE	REF NO.	PART NO	PAGE	REF NO.
40085795	42	3	70001430	2	36	70001509	16	29
40085796	42	10	70001431	4	27	70001510	16	62
40085995	26	55	70001432	10	76	70001510	18	62
40087068	30	3	70001434	8	16	70001511	16	43
40087083	14	68	70001436	6	58	70001512	18	60
40087101	14	69	70001437	8	45	70001513	18	72
40090130	44	23~26	70001439	8	46	70001514	22	28
40090131	44	23~26	70001440	10	56·80	70001515	22	29
40090132	44	23~26	70001442	10	60	70001516	22	30
40090133	44	19~22	70001443	10	51	70001517	22	31
40090196	44	19~22	70001444	10	65	70001518	22	32
40090197	44	19~22	70001445	8	2	70001521	16	1
40096325	42	9	70001446	8	15	70001522	16	3
40096326	42	7	70001447	8	25	70001523	18	87
40096327	42	5	70001448	8	26	70001524	18	89
40099371	4	37	70001451	8	35	70001525	18	90
40099373	48	18	70001453	8	39	70001526	18	91
40099374	48	17	70001454	10	59	70001527	18	93
40099375	48	31	70001458	8	31	70001528	16	26
40100791	30	25	70001462	12	47	70001530	22	7
40100793	30	29	70001463	14	57	70001531	22	17
40101602	36	13	70001465	12	46	70001532	20	100
40102003	36	14	70001477	12	37	70001533	20	101
40106574	42	6	70001478	12	35	70001535	10	62
40106575	42	2	70001480	12	5	70001536	10	63
40106576	42	29	70001481	12	6	70001537	24	3
40106577	42	18	70001483	12	9	70001540	24	18
40106578	42	19	70001485	12	13	70001541	24	29
40106579	42	30	70001486	12	19	70001542	24	31
40106580	42	28	70001487	12	29	70001543	24	32
40106583	42	27	70001488	12	32	70001544	26	58
40106592	42	1	70001489	12	33	70001545	26	60
70001407	2	28	70001490	12	34	70001546	24	20
70001409	2	7	70001491	12	39	70001548	24	13
70001411	2	1	70001492	12	42	70001555	28	6
70001414	4	29	70001493	12	43	70001556	28	29·31
70001415	4	13	70001494	12	22	70001561	28	10
70001416	2	5	70001495	12	25	70001562	28	14
70001418	4	41	70001498	12	21	70001563	28	29·31
70001420	4	1	70001499	12	7	70001572	30	7
70001421	2	13	70001500	12	18	70001573	30	11
70001422	2	22	70001505	16	2	70001575	30	35
70001423	4	15	70001506	18	74	70001579	30	24
70001424	4	18	70001507	18	94	70001580	30	4
70001426	4	26	70001508	20	96	70001581	30	6

NUMERICAL INDEX OF PARTS

PART NO	PAGE	REF NO.	PART NO	PAGE	REF NO.	PART NO	PAGE	REF NO.
70001582	30	2	70001963	48	28	NM6050001SC	28	8
70001583	30	45	70001964	48	23	NM6050001SC	34	16
70001584	30	41	70001967	48	24	NM6050001SC	38	26
70001585	30	44	70001975	40	69	NM6050001SE	42	23
70001587	32	5	70001976	6	60	NM6060001CP	12	27
70001588	32	12	70001978	4	8	NM6850001SC	30	43
70001589	22	26	70001987	30	1	PS0150065KP	44	42
70001590	32	7	70003278	8	30	PS0150082KH	24	22
70001591	32	8	70003316	10	81	PS0300162KH	18	58
70001592	32	4	70003331	10	56-80	PS0400082KP	24	34
70001599	8	18	70003995	22	35	PS0500142KP	12	20
70001600	8	17	70004184	8	43	RC0100001KP	16	40
70001601	34	10	70004227	48	43	RC0741013KP	18	70
70001602	34	19	B2556280000	18	67	RC1900002KP	4	3
70001603	34	25	B3215470000	18	52	RE0300000K0	4	42
70001604	34	27	B3538112000	46	10	RE0300000K0	22	11
70001610	36	1	B9101490000	48	14	RE0500000K0	18	55
70001612	36	4	B9214850000	24	21	RE0500000K0	32	11
70001613	36	18	BP30000010R	38	65	RE0700000K0	34	12
70001614	36	19	BP30000010R	40	65	RO055200100	18	51
70001615	36	16	BT0600402EA	46	4	RO055200100	32	9
70001616	36	17	CM300200001	2	35	RO068190100	22	2
70001617	36	15	CM300200001	6	65	RO137230100	18	82
70001620	36	8	CM301200001	2	37	RO148240200	8	42
70001631	40	61	CQ303000000	16	23	RO158240100	16	7
70001634	38	10	CQ303000000	46	5	RO195240100	2	10
70001636	38	36	CS1000881TP	16	85	RO445300100	10	78
70001638	10	57	CS1000881TP	18	85	SB110002300	8	27
70001639	40	59	CS1000881TP	22	23	SB120001500	8	41
70001644	46	6	CS1000881TP	24	6	SB120001800	8	5
70001659	4	44	CS1000881TP	28	25	SB120001900	10	70
70001813	48	29	CS1000881TP	30	8	SB120002200	10	55
70001814	48	30	EA9500B0100	40	60	SD0600266TP	6	62
70001830	6	64	J106600000B	48	16	SD0640246SP	2	20
70001831	6	63	MML018800CB	48	8	SD0640246SP	30	21
70001837	2	27	MUY128S1000	44	7	SD0700206TP	12	16
70001838	48	32	MUY128S1003	48	41	SD0700586TP	12	24
70001839	48	33	NM6030001SC	30	32	SD0801326TH	16	33
70001840	48	6	NM6030001SD	44	39	SK3412001SE	42	22
70001842	48	42	NM6040000SN	2	19	SL4041281SC	30	15
70001846	48	34	NM6040000SN	6	57	SM1030400SP	22	33
70001946	48	38	NM6040000SN	40	68	SM1040650TP	24	38
70001947	48	39	NM6040002SC	42	33	SM1040750TP	26	59
70001959	16	27	NM6050001SC	18	69	SM1040800SP	4	7
70001962	48	25	NM6050001SC	24	45	SM1040801SC	48	27

NUMERICAL INDEX OF PARTS

PART NO	PAGE	REF NO.	PART NO	PAGE	REF NO.	PART NO	PAGE	REF NO.
SM1041400SP	4	11	SM6030402TP	18	56	SM6061802TP	38	32
SM1850600SP	44	34	SM6030600SP	16	39	SM6062550TP	12	26
SM4030455SN	2	17	SM6030600SP	46	7	SM6850400SP	44	36
SM4030855SN	2	18	SM6030800SP	4	38	SM6850802TN	30	42
SM4030855SN	14	61	SM6040600SP	40	51	SM7051460TP	22	15
SM4030855SN	24	27	SM6040602TP	4	10	SM8030312TP	24	26
SM4040555SP	6	51	SM6040650TP	48	35	SM8030312TP	44	9
SM4040655SP	2	23	SM6040750TP	4	22	SM8030412TP	44	30
SM4040655SP	4	56	SM6040750TP	34	32	SM8031002TP	44	38
SM4040655SP	6	56	SM6040800SP	4	14	SM8040312TP	32	14
SM4040655SP	8	36	SM6040800SP	12	38	SM8040412TP	4	50
SM4040655SP	12	10	SM6040800SP	20	98	SM8040412TP	6	50
SM4040655SP	24	56	SM6040800SP	24	47	SM8040412TP	8	22
SM4040655SP	26	56	SM6040800SP	44	28	SM8040412TP	18	53
SM4040655SP	30	36	SM6041000SP	12	53	SM8040412TP	28	12
SM4040655SP	36	23	SM6041000SP	14	53	SM8040512TP	12	44
SM4040655SP	38	62	SM6041000SP	16	31	SM8040602TP	18	50
SM4040655SP	40	62	SM6041000SP	22	34	SM8040612TP	18	83
SM4040655SP	46	11	SM6041000SP	28	30	SM8050412TP	18	99
SM4040855SP	2	6	SM6041000SP	34	22	SM8050412TP	20	99
SM4040855SP	38	37	SM6041002TP	4	12	SM8050412TP	28	26
SM4040855SP	48	21	SM6041200SP	12	14	SM8050412TP	38	42
SM4041055SP	2	8	SM6041200SP	28	28	SM8050612TP	16	86
SM4041055SP	6	55	SM6041202TP	12	23	SM8050612TP	18	86
SM4041055SP	8	29	SM6041202TP	34	4	SM8050612TP	22	24
SM4041055SP	12	41	SM6042000SP	40	50	SM8050612TP	24	7
SM4041055SP	24	15	SM6050800SP	4	23	SM8050612TP	30	9
SM4041055SP	36	20	SM6051000SP	32	13	SM8050612TP	32	6
SM4041055SP	38	2	SM6051002TP	12	30	SM8050612TP	34	14
SM4041201SC	42	31	SM6051002TP	24	1	SM8050812TP	16	95
SM4041655SP	36	3	SM6051202TP	12	59	SM8050812TP	20	95
SM4042501SC	42	32	SM6051202TP	14	59	SM8060552TP	8	34
SM4050855SP	46	3	SM6051400SP	4	39	SM8060552TP	16	80
SM4051001SE	42	21	SM6051402TP	24	12	SM8060552TP	18	80
SM4051055SP	6	66	SM6051402TP	34	30	SM8060552TP	30	39
SM4051055SP	8	20	SM6051602TP	6	59	SM8060612TP	8	82
SM4051255SP	18	65	SM6051602TP	18	68	SM8060612TP	10	82
SM4051255SP	22	14	SM6051602TP	40	55	SM8060612TP	16	88
SM4051405SE	42	20	SM6061200SP	10	75	SM8060612TP	18	88
SM4060801SE	2	26	SM6061202TP	12	28	SM8060612TP	28	19
SM4850455SP	24	37	SM6061202TP	18	75	SM8060612TP	34	6
SM4850455SP	30	34	SM6061402TP	8	61	SM80606A2TP	18	78
SM4850455SP	32	3	SM6061402TP	10	61	SM8060812TP	8	54
SM5040655SN	22	6	SM6061402TP	16	38	SM8060812TP	10	54
SM5050855SN	48	19	SM6061402TP	28	9	SM8060842TP	8	71

NUMERICAL INDEX OF PARTS

PART NO	PAGE	REF NO.	PART NO	PAGE	REF NO.
SM8060842TP	10	71	WP0522016SH	24	4
SM8061212TP	8	47	WP0531000SC	4	31
SM8080812TP	10	74	WP0531000SD	4	4
SM9061050TP	28	20	WP0531001SC	42	24
SQ0000452MZ	38	15	WP0550800SP	4	43
SQ0000453MZ	38	13	WP0550800SP	28	7
SQ0000454MZ	38	12	WP0550800SP	34	15
SQ2050452MZ	38	25	WP0550800SP	40	54
SQ2060441SD	38	16	WP0550836SC	48	20
SQ2060442SD	38	11	WP0551016SH	12	31
SQ2060451MZ	40	52	WP0621016SD	22	16
ST4040851SN	24	23	WP0621016SD	32	10
TA0400301M0	4	9	WP1021026SH	34	11
TA0500601M0	16	46	WP1022016SH	28	24
TA0500601M0	34	18	WP1612616SE	42	25
TA0600401R0	28	32	WS0510002KN	24	11
TA0750404R0	22	27	WS0510002KN	42	26
TA0850604R0	2	33	WS0510002KP	4	30
TA0850604R0	4	47	WS0510002KP	8	24
TA0850604R0	14	67	WS0510002KP	24	2
TA1050504R0	2	3	WZ0641510KP	2	16
TA1050504R0	4	70	WZ0641510KP	6	61
TA1050504R0	6	70	WZ0641510KP	30	22
TA1250705R0	2	31			
TA1600406R0	34	9			
TA2050406R0	2	30			
TA2050416R0	4	68			
TA2050416R0	6	68			
TA2101002R0	6	67			
TA2101002R0	30	40			
WP0280500SC	30	33			
WP0280500SC	44	37			
WP0280501SC	24	36			
WP0370316SD	16	18			
WP0410516SD	30	23			
WP0450000SD	6	69			
WP0450801SC	26	57			
WP0450801SC	40	67			
WP0450801SP	48	22			
WP0450826SC	12	40			
WP0450826SC	22	5			
WP0450826SC	24	46			
WP0460556SD	22	9			
WP0461516SH	34	24			
WP0480856SP	20	97			