

MODEL : PL12/PL13

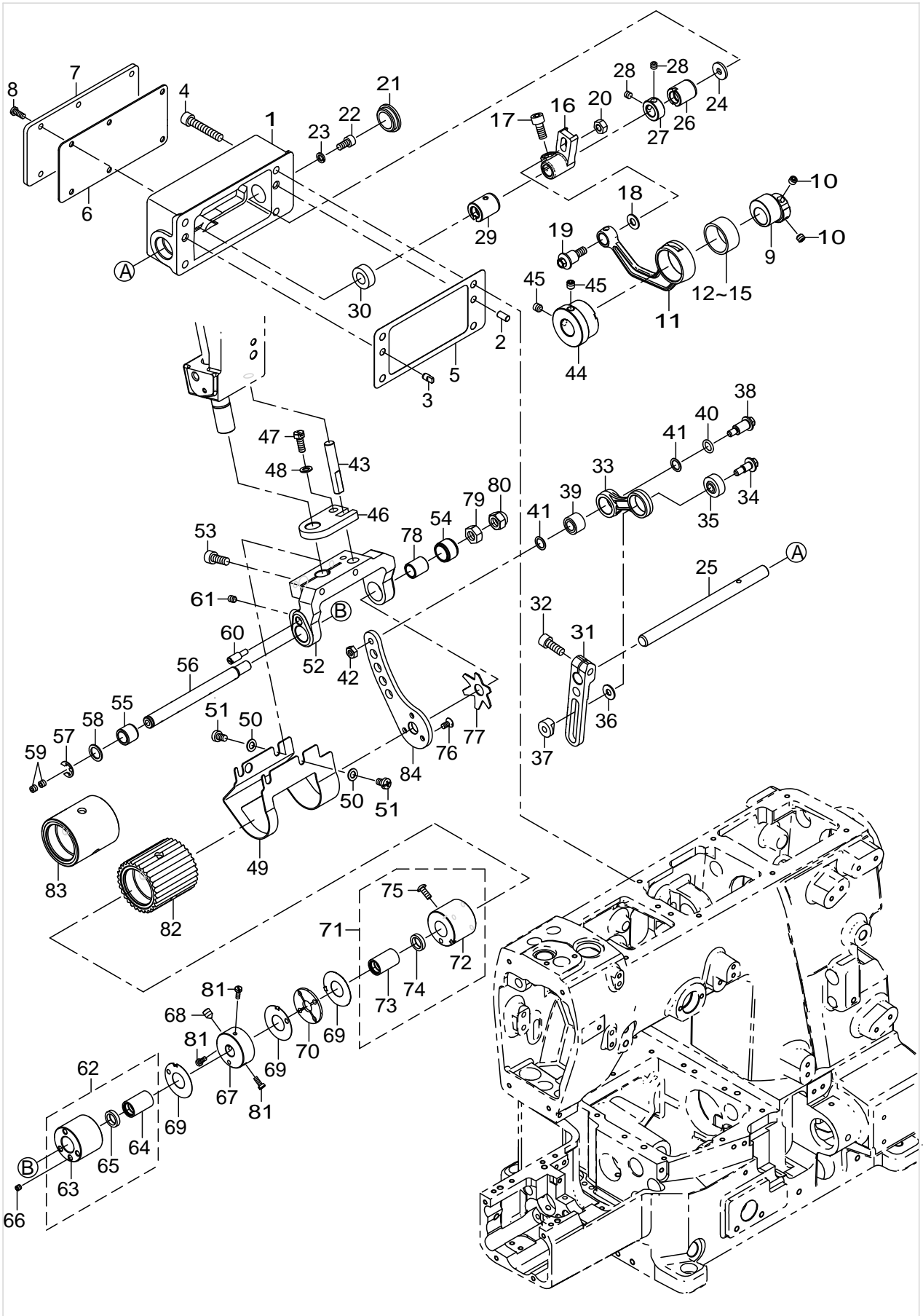
List No : 1613-00

PARTS LIST

Published:09/10/2017

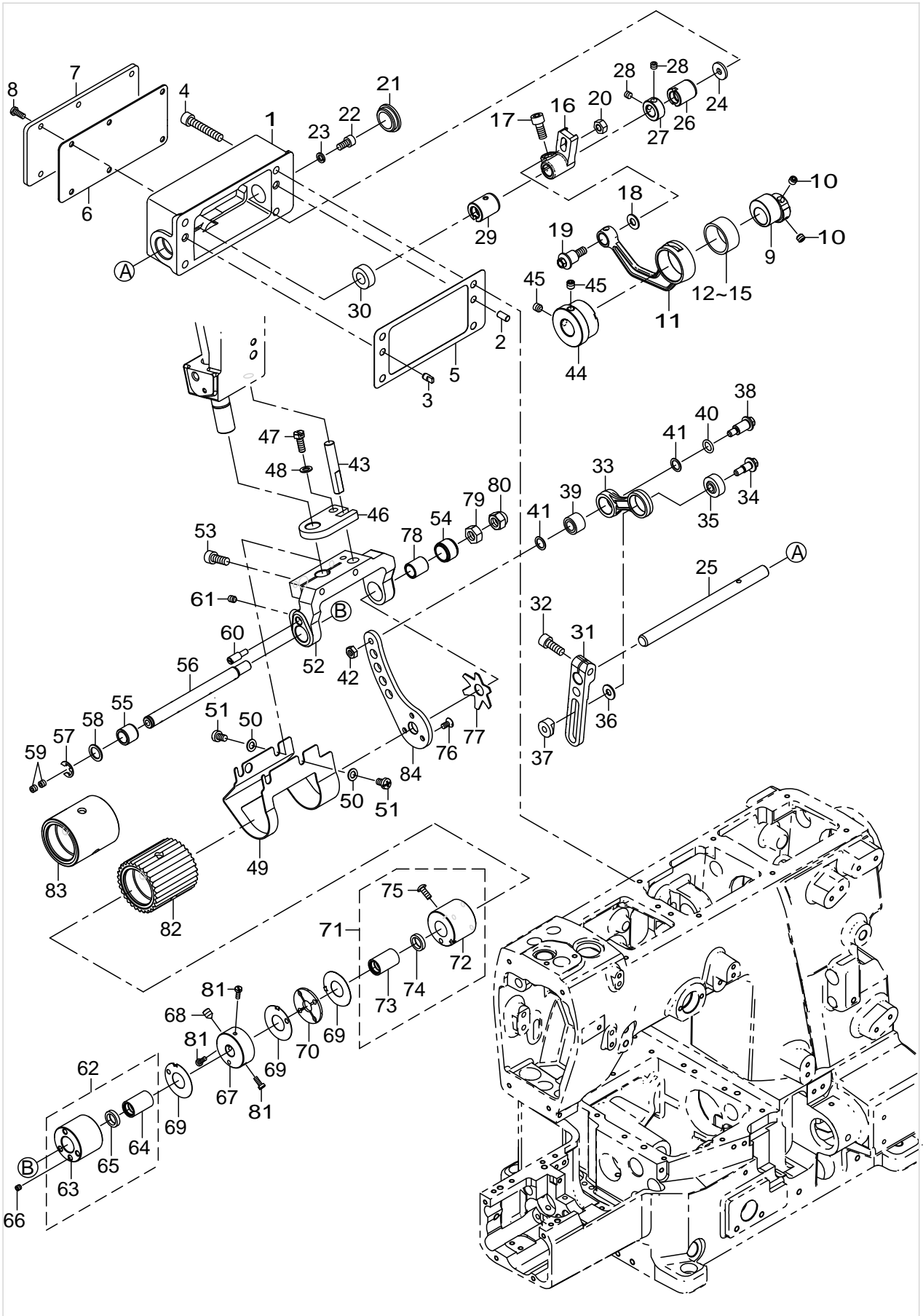
CONTENTS

PL12/PL13 (1)	1
PL12/PL13 (2)	5
HOW TO MAKE USE OF THIS PARTS LIST	9



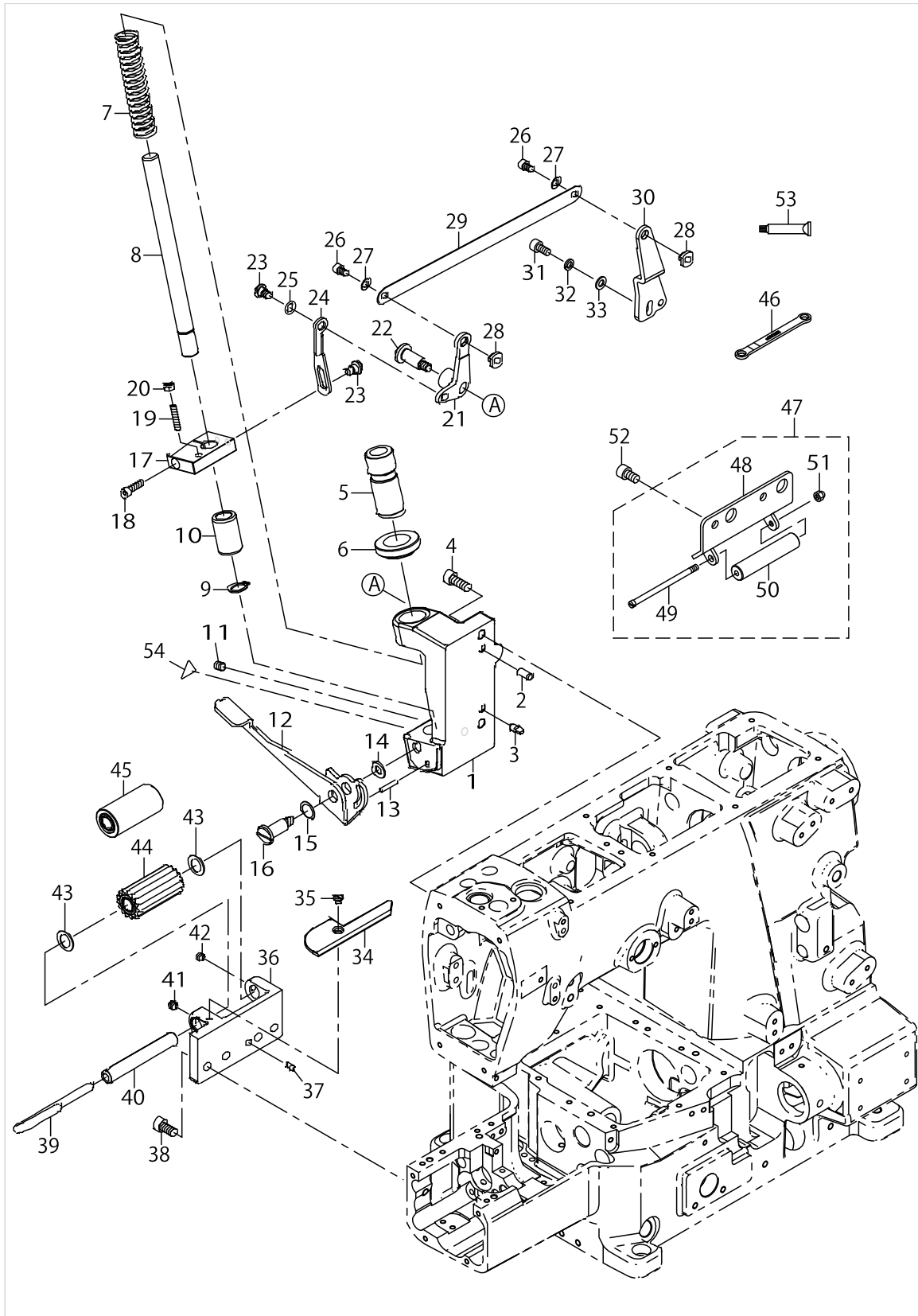
PL12/PL13 (1)

No.	Parts No.	Parts name	Remarks	Level	Cons	Qty
1	13470000	HOUSING PULLER DRIVE				1
2	13477708	PIN 2				1
3	13474903	PIN				1
4	SM6063502TP	SCREW M6 L=35				4
5	13470109	GASKET HOUSING				1
6	13470208	GASKET PULLER COVER				1
7	13470307	PULLER COVER				1
8	SM4041055SP	SCREW				6
9	13470505	PULLER DRIVE ECCENTRIC				1
10	SM8060552TP	SCREW M6 L=5				2
11	70001809	CONNECTING ROD				1
12	B1426180A00	NEEDLE BEARING (A)	SELECTIVE PARTS			1
13	B1426180B00	NEEDLE BEARING (B)	SELECTIVE PARTS			1
14	B1426180C00	NEEDLE BEARING (C)	SELECTIVE PARTS			1
15	B1426180D00	NEEDLE BEARING (D)	SELECTIVE PARTS			1
16	70001807	ADJUSTING LEVER				1
17	SM6061402TP	SCREW M6 L=14				1
18	WP0621016SH	WASHER				1
19	13470802	ADJ LEVER HINGE SCREW				1
20	NM6060001CP	NUT M6				1
21	TA2050406R0	RUBBER PLUG				1
22	SM6051002TP	SCREW M5X0.8 L=10				1
23	WS0510002KP	SPRING WASHER 5.1X9.2X1.3				1
24	WP0522016SH	WASHER				1
25	13470901	ROLLER SHAFT				1
26	13324504	BUSHING REAR				1
27	CS1000881TP	THRUST COLLAR				1
28	SM8050412TP	SCREW M5 L=4				2
29	13324603	BUSHING FRONT				1
30	23612609	FEED CHANGING SHAFT OIL SEAL				1
31	13471008	ROLLER DRIVE ARM				1
32	SM6061602TP	SCREW M6 L=16				1
33	13471305	ROLLER DRIVE LINK				1
34	13471503	LINK HINGE SCREW				1
35	13475801	RODEND				1
36	WP0551016SH	WASHER 5.5X13X1				1
37	13471602	NUT ROLLER DRIVE LINK				1
38	13477401	LINK HINGE SCREW 2				1
39	SB308001600	BEARING				1
40	RO078190100	RUBBER RING				1
41	WP0820516SP	WASHER 11.6X8.2X0.6				2
42	NM6050001SP	NUT M5				1
43	13472204	GUIDE PIN				1
44	70001808	COLLAR				1
45	SM8060612TP	SCREW M6 L=6				2
46	13473509	GUIDE PLATE				1
47	SM9051400SN	HEXAGON BOLT				1



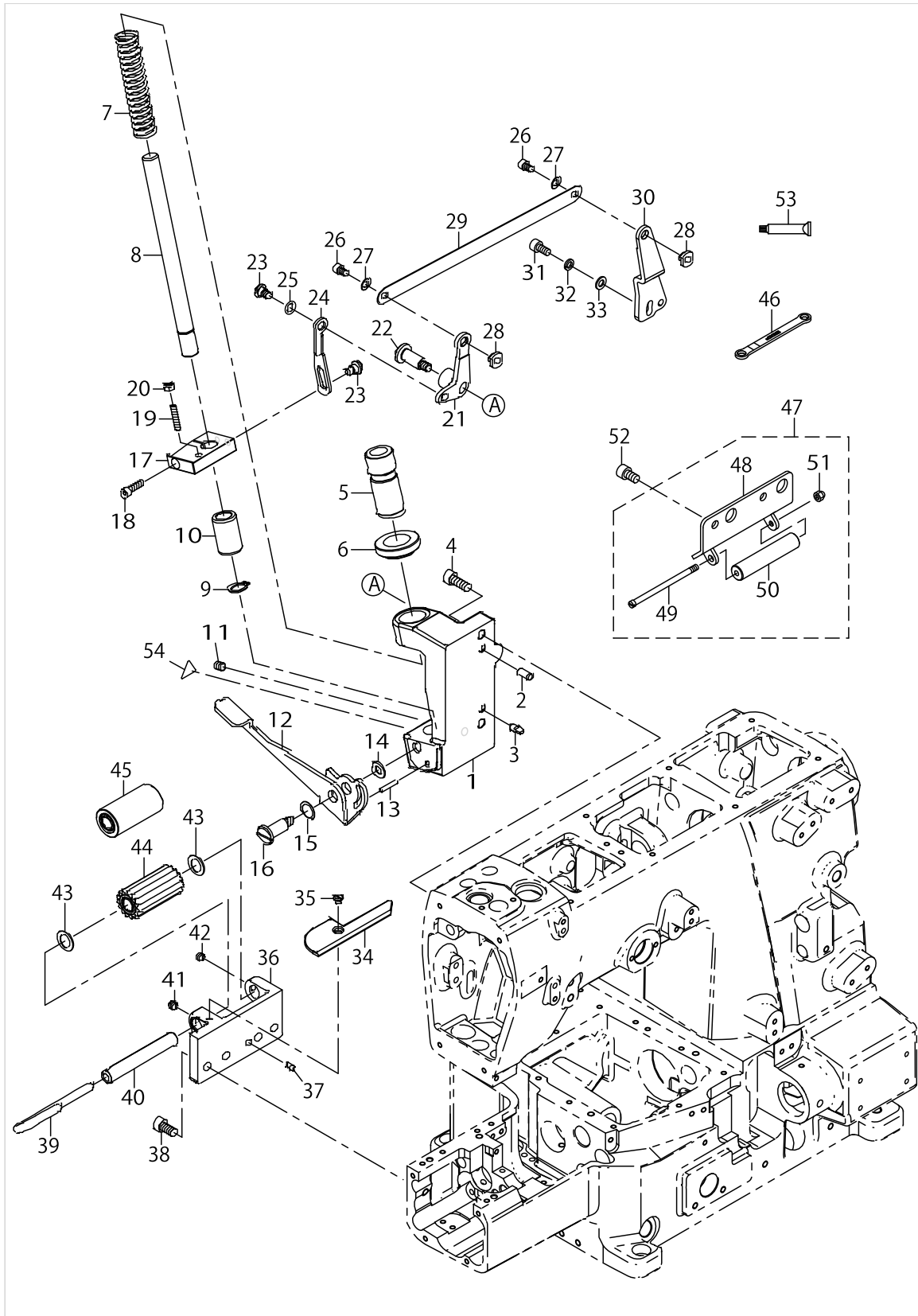
PL12/PL13 (1)

No.	Parts No.	Parts name	Remarks	Level	Cons	Qty
48	WP0550800SP	WASHER 5.5X10X0.8				1
49	13473301	PULLER GUARD				1
50	WP0550800SP	WASHER 5.5X10X0.8				4
51	SM4050855SP	SCREW				4
52	13473400	FEED ROLLER YOKE				1
53	SM6061602TP	SCREW M6 L=16				1
54	13475900	BUSHING RIGHT				1
55	13476007	BUSHING LEFT				1
56	13473608	UPPER ROLLER SHAFT				1
57	RE0700000K0	E-RING 7				1
58	WP1021026SH	WASHER				1
59	SM8050412TP	SCREW M5 L=4				2
60	13474200	PIN ROLLER L				1
61	SM8050612TP	SCREW M5X6				1
62	40023870	CLUTCH SLEEVE LEFT ASSY				1
63	13476106	CLUTCH SLEEVE		*		1
64	SB310000900	BEARING		*		1
65	GBR01534000	OIL SEAL		*		1
66	SM8040412TP	SET SCREW M4 L=4				1
67	13476403	CLUTCH SPACER				1
68	SM8060842TP	SCREW M6 L=8				1
69	13476502	THRUST PLATE				3
70	13477500	THRUST PLATE				1
71	40023869	CLUTCH SLEEVE RIGHT ASSY				1
72	13476106	CLUTCH SLEEVE		*		1
73	SB310000900	BEARING		*		1
74	GBR01534000	OIL SEAL		*		1
75	SM4041055SP	SCREW		*		1
76	SM1040800SP	SCREW				3
77	13476601	CLUTCH TENSION SPRING				1
78	13477302	CLUTCH TENSION SLEEVE				1
79	NM6080001SC	NUT M8X1.25				1
80	NM7080032SC	NUT M8				1
81	SM6030800SP	SCREW M3X0.5 L=8				3
82	13476759	UPPER ROLLER ASSY	FOR PL12			1
83	13473855	UPPER ROLLER	FOR PL13			1
84	13474101	LEVER FEED ROLLER				1



PL12/PL13 (2)

No.	Parts No.	Parts name	Remarks	Level	Cons	Qty
1	13471701	BRACKET ROLLER LIFTER				1
2	13477708	PIN 2				1
3	13474903	PIN				1
4	SM6061602TP	SCREW M6 L=16				2
5	13471800	REGULATOR				1
6	13472303	NUT				1
7	13472105	SPRING				1
8	13471909	BAR ROLLER PRESSER				1
9	RC1200001KP	C-SHAPED SNAP RING				1
10	13472006	ROLLER PRESS BAR BUSHING				1
11	SM8060612TP	SCREW M6 L=6				1
12	13472402	LEVER LIFTER				1
13	PS0300162KH	SPRING PIN 3X16				1
14	WP0621016SH	WASHER				1
15	WZ1052010KP	WAVED WASHER				1
16	SD0901806TP	SHOULDER SCREW				1
17	13472501	LIFTER				1
18	SM6041402TP	SCREW M4 L=14				1
19	SM8042012TP	SETSCREW				1
20	NM6040001SP	NUT M4X0.7				1
21	13472600	LIFTER LEVER FRONT				1
22	SD0901806TP	SHOULDER SCREW				1
23	SD0640386TP	SHOULDER SCREW				2
24	13472907	LIFTER LEVER LINK SHORT				1
25	RO069180100	RUBBER RING				1
26	SM6040602TP	SCREW M4 L=6				2
27	WP0430801SC	WASHER 4.3X9X0.8				2
28	13473004	COLLAR LIFTER LEVER				2
29	13473103	LIFTER LEVER LINK LONG				1
30	70001810	LIFTER LEVER				1
31	SM6051002TP	SCREW M5X0.8 L=10				2
32	WS0510002KP	SPRING WASHER 5.1X9.2X1.3				2
33	WP0531001SE	WASHER 5.3X9.5X0.6				2
34	40037362	FEED PLATE				1
35	SM6040450TP	SCREW M4 L=4				1
36	40037196	LOWER ROLLER BRCKET				1
37	13302500	DOWEL PIN 2				1
38	SM6061202TP	SCREW M6 L=12				2
39	13475306	CLOTH GUARD				1
40	40037270	LOWER ROLLER SHAFT				1
41	SM8050612TP	SCREW M5X6				1
42	SM8050412TP	SCREW M5 L=4				1
43	13475603	WASHER PLASTIC				2
44	13476957	LOWER ROLLER ASSY	FOR PL12			1
45	40024302	LOWER ROLLER ASSY	FOR PL13			1
46	13160007	RING SPANNER	ACCESSORIES PARTS			1
47	40026581	REAR ROLLER ASSY 1	ACCESSORIES PARTS			1



PL12/PL13 (2)

No.	Parts No.	Parts name	Remarks	Level	Cons	Qty
48	40021834	BRACKET REAR ROLLER 1		*		1
49	40021838	SHAFT REAR ROLLER		*		1
50	40021837	REAR ROLLER SMALL		*		1
51	NM7040032SC	HEXAGONAL CAP NUT, TYPE 3 M4		*		1
52	SM6061002TP	SCREW M6 L=10	ACCESSORIES PARTS			2
53	13525506	GREASE TUBE	ACCESSORIES PARTS			1
54	CM300200001	ATTENTION SEAL				1

HOW TO MAKE USE OF THIS PARTS LIST

1.As to "#01" and "#02" refer to the "Note" given at the bottom of the respective pages.

2.Codes on the "Qty" column

- Each numeral indicates the number of parts required.
- "0.1" and "2.5" indicate the length (in meters) of the respective parts.

3.Parentheses mean that the corresponding part is a subpart that constructs an assembly part.

4.Dotted lines on the Figures indicate assembly parts.

1. リストページの# 0 1、# 0 2の印は、ページ下の“注記”の説明を参照下さい。
2. 数量欄の数字は、個数を表し、0. 1、2. 5等の数値は、長さ（単位メートル）を表します。
3. 数量欄の（ ）は、組部品を構成している子部品であることを意味します。
4. イラストページの-----枠は、組構成であることを意味します。

ALL PARTS NOT MENTIONED IN THIS PARTS LIST ARE SAME AS THOSE OF
MODEL MF-7900. OTHER PARTS LIST RELATED TO THIS MODEL.
*MF-7900. (NO.1599 PART NO.70002009)

このパーツリスト記載以外の部品はMF-7900.と共通です。
この機種に関連するパーツリストとして下記のパーツリストがあります。
* MF-7900. (NO.1599 品番70002009)

NUMERICAL INDEX OF PARTS

PART NO	PAGE	REF NO.	PART NO	PAGE	REF NO.	PART NO	PAGE	REF NO.
13160007	6	46	13476601	4	77	SD0901806TP	6	22
13302500	6	37	13476759	4	82	SM1040800SP	4	76
13324504	2	26	13476957	6	44	SM4041055SP	2	75
13324603	2	29	13477302	4	78	SM4041055SP	4	75
13470000	2	1	13477401	2	38	SM4050855SP	4	51
13470109	2	5	13477500	4	70	SM6030800SP	4	81
13470208	2	6	13477708	2	2	SM6040450TP	6	35
13470307	2	7	13477708	6	2	SM6040602TP	6	26
13470505	2	9	13525506	8	53	SM6041402TP	6	18
13470802	2	19	23612609	2	30	SM6051002TP	2	22
13470901	2	25	40021834	8	48	SM6051002TP	6	31
13471008	2	31	40021837	8	50	SM6061002TP	8	52
13471305	2	33	40021838	8	49	SM6061202TP	6	38
13471503	2	34	40023869	4	71	SM6061402TP	2	17
13471602	2	37	40023870	4	62	SM6061602TP	2	53
13471701	6	1	40024302	6	45	SM6061602TP	4	53
13471800	6	5	40026581	6	47	SM6061602TP	6	4
13471909	6	8	40037196	6	36	SM6063502TP	2	4
13472006	6	10	40037270	6	40	SM8040412TP	4	66
13472105	6	7	40037362	6	34	SM8042012TP	6	19
13472204	2	43	70001807	2	16	SM8050412TP	2	59
13472303	6	6	70001808	2	44	SM8050412TP	4	59
13472402	6	12	70001809	2	11	SM8050412TP	6	42
13472501	6	17	70001810	6	30	SM8050612TP	4	61
13472600	6	21	B1426180A00	2	12~15	SM8050612TP	6	41
13472907	6	24	B1426180B00	2	12~15	SM8060552TP	2	10
13473004	6	28	B1426180C00	2	12~15	SM8060612TP	2	45
13473103	6	29	B1426180D00	2	12~15	SM8060612TP	6	11
13473301	4	49	CM300200001	8	54	SM8060842TP	4	68
13473400	4	52	CS1000881TP	2	27	SM9051400SN	2	47
13473509	2	46	GBR01534000	4	74	TA2050406R0	2	21
13473608	4	56	NM6040001SP	6	20	WP0430801SC	6	27
13473855	4	83	NM6050001SP	2	42	WP0522016SH	2	24
13474101	4	84	NM6060001CP	2	20	WP0531001SE	6	33
13474200	4	60	NM6080001SC	4	79	WP0550800SP	4	50
13474903	2	3	NM7040032SC	8	51	WP0551016SH	2	36
13474903	6	3	NM7080032SC	4	80	WP0621016SH	2	18
13475306	6	39	PS0300162KH	6	13	WP0621016SH	6	14
13475603	6	43	RC1200001KP	6	9	WP0820516SP	2	41
13475801	2	35	RE0700000K0	4	57	WP1021026SH	4	58
13475900	4	54	RO069180100	6	25	WS0510002KP	2	23
13476007	4	55	RO078190100	2	40	WS0510002KP	6	32
13476106	4	72	SB308001600	2	39	WZ1052010KP	6	15
13476403	4	67	SB310000900	4	73			
13476502	4	69	SD0640386TP	6	23			