

MODEL : UT35
List No : 1609-01

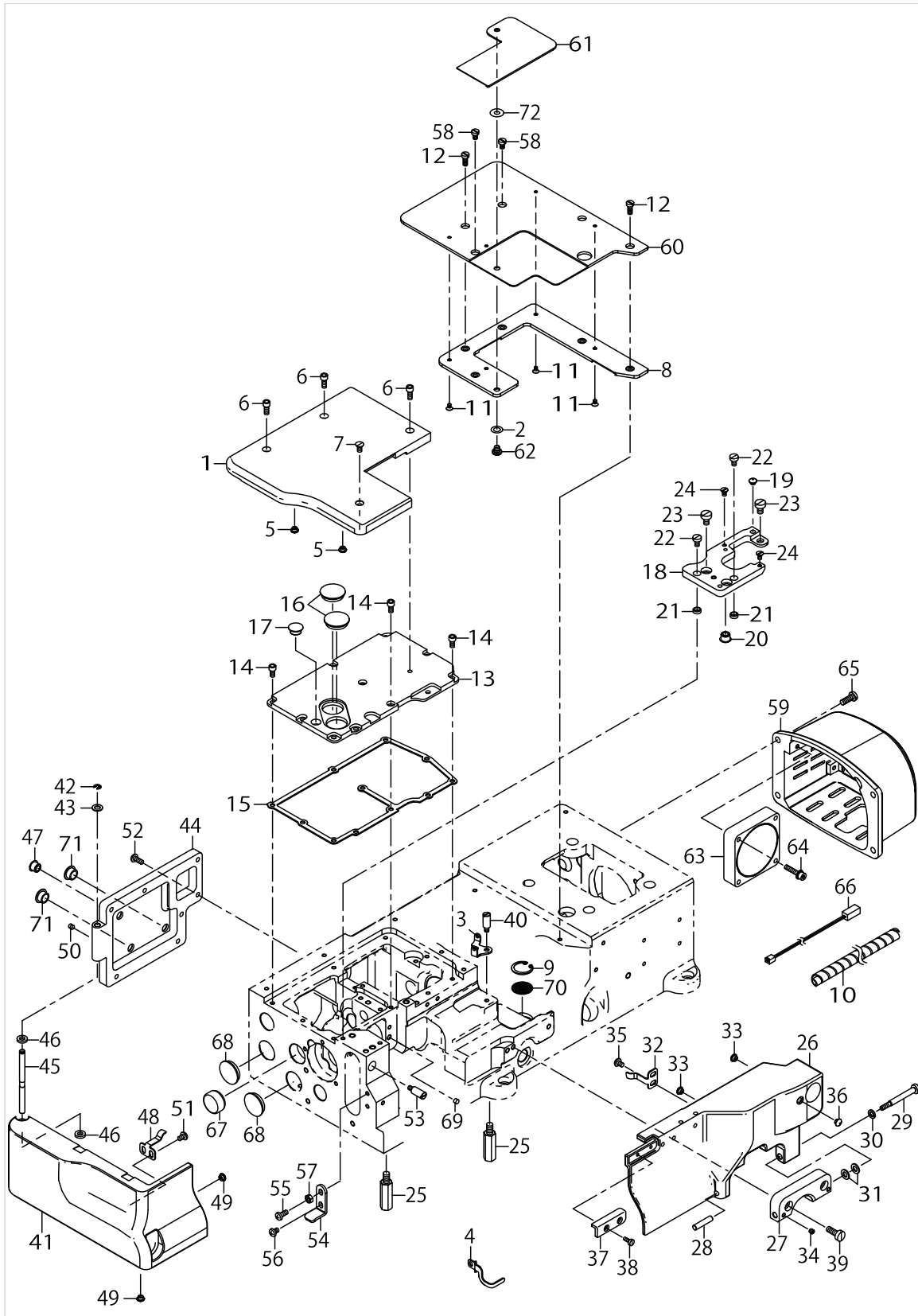
PARTS LIST

Published:09/10/2017

CONTENTS

MISCELLANEOUS COVER COMPONENTS.....	1
MAIN SHAFT COMPONENTS	5
THREAD TENSION COMPONENTS	7
LOOPER THREAD TRIMMER COMPONENTS	9
PNEUMATIC DRIVE & PRESSER FEED LIFTER COMPONENTS	11
TOP COVER THREAD TRIMMER COMPONENTS	13
AK SOLENOID COMPONENTS	15
ACCESSORIES PARTS COMPONENTS	17
HOW TO MAKE USE OF THIS PARTS LIST	19

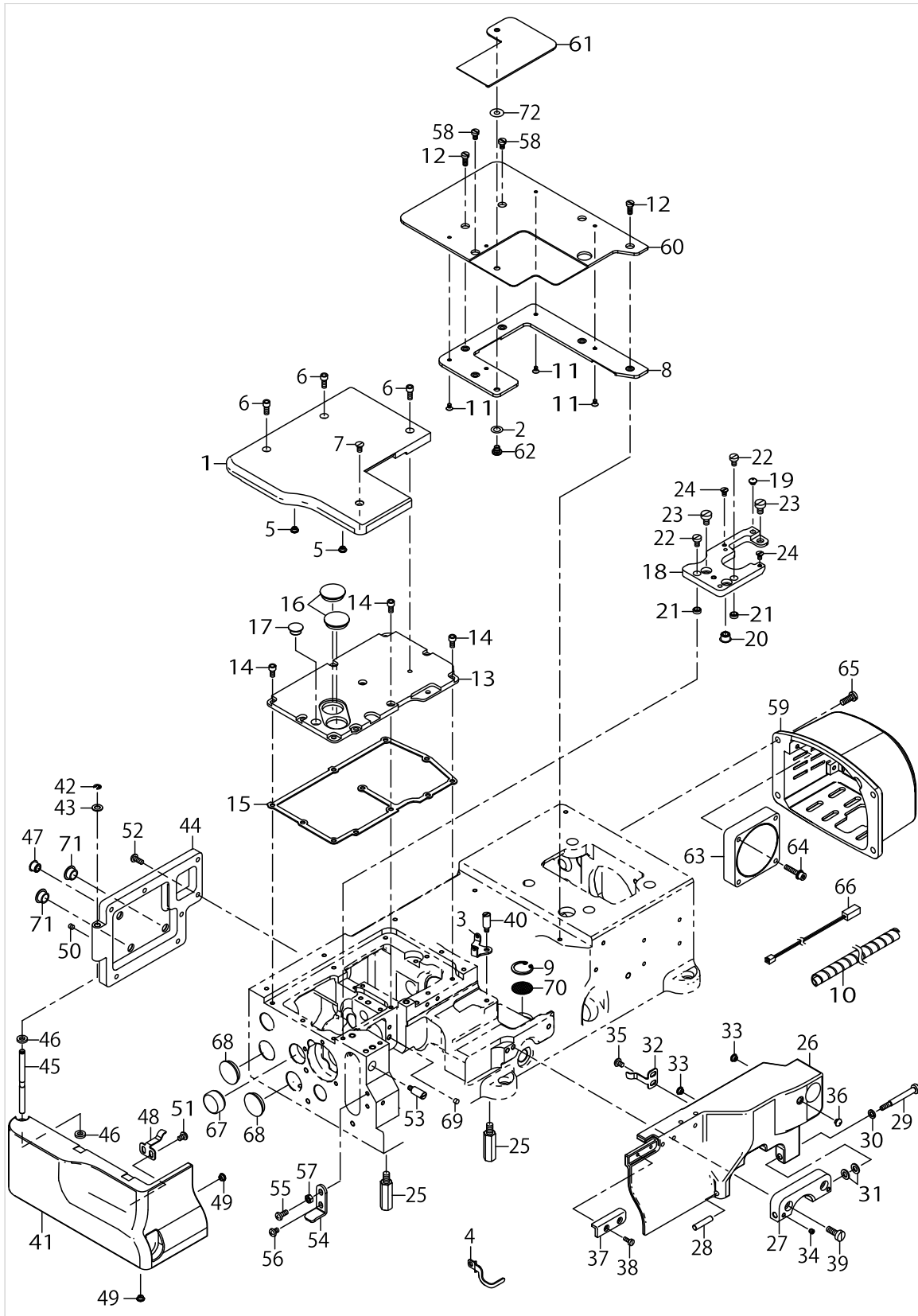
MISCELLANEOUS COVER COMPONENTS



MISCELLANEOUS COVER COMPONENTS

No.	Parts No.	Parts name	Remarks	Level	Cons	Qty
1	70001420	CLOTH_PLATE_LEFT				1
2	WZ0641510KP	WAVED WASHER 6.4X11X0.3				1
3	70001823	THREAD_GUIDE_UT				1
4	70001484	FINGER_GUARD				1
5	13302302	RUBBER BUMPER				2
6	SM6041002TP	SCREW M4X0.7 L=10				3
7	SM1040800SP	SCREW				1
8	70001825	CLOTH_PLATE_RIGHT_BOTTOM				1
9	RC1900002KP	C-RING				1
10	HX00314000D	SPIRAL TUBE				0.7
11	SM1030501SN	SCREW				4
12	SM6041000SP	SCREW M4 L=10				2
13	70001415	BED_TOP_COVER				1
14	SM6040800SP	SCREW				11
15	70001423	GASKET_B				1
16	TA2050416R0	RUBBER PLUG				2
17	TA1050504R0	RUBBER PLUG				1
18	70001424	THROAT_PLATE_SUPPORT				1
19	13302302	RUBBER BUMPER				1
20	TA0850604R0	RUBBER PLUG				1
21	40082196	ADJUSTING_COLLAR				2
22	SM6040750TP	SCREW M4 L=7				2
23	SM6050800SP	SCREW M5 L=8				3
24	13302203	SCREW				2
25	13301809	SUPPORT STUD				4
26	70001426	SWING_DOWN_COVER				1
27	70001431	HINGE				1
28	13409800	DIFF_LINK_PIN				1
29	70001414	SCREW				1
30	WS0510002KP	SPRING WASHER 5.1X9.2X1.3				1
31	WP0531000SC	WASHER 5.3X10X1				2
32	13304308	LATCH SPRING				1
33	13302302	RUBBER BUMPER				2
34	SM8040412TP	SET SCREW M4 L=4				2
35	SM4040655SP	SCREW M4 L=6				2
36	13302302	RUBBER BUMPER				1
37	40099371	BRACKET				1
38	SM6030800SP	SCREW M3X0.5 L=8				2
39	SM6051400SP	SCREW				2
40	13302104	PIN				1
41	70001418	SIDE_COVER				1
42	RE0300000K0	E-RING 3				1
43	WP0550800SP	WASHER 5.5X10X0.8				1
44	70001659	FEED_CHAMBER_COVER				1
45	13305107	PIN_FOR_SIDE_COVER				1
46	13302708	RUBBER_WASHER				2
47	TA0850604R0	RUBBER PLUG				1

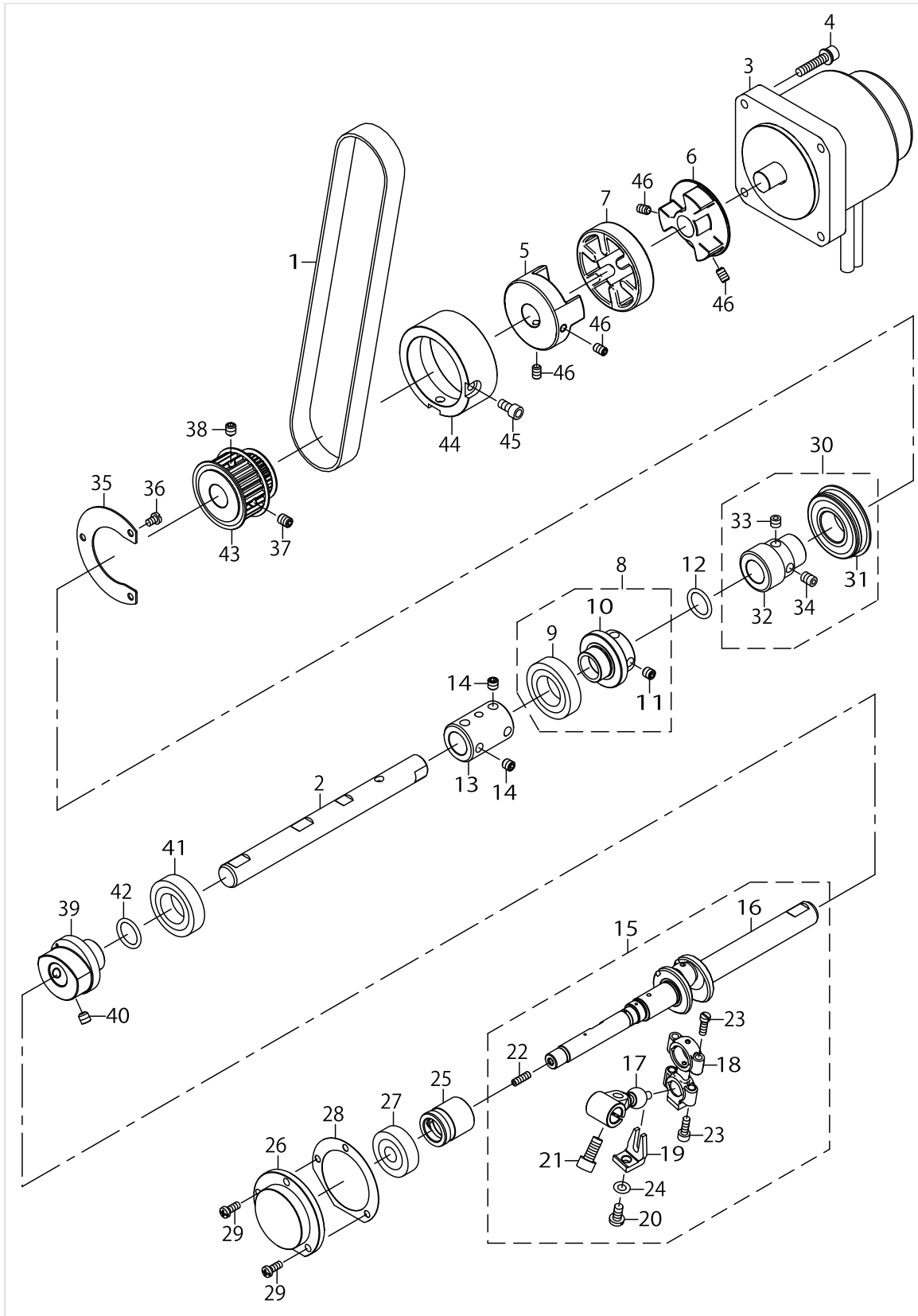
MISCELLANEOUS COVER COMPONENTS



MISCELLANEOUS COVER COMPONENTS

No.	Parts No.	Parts name	Remarks	Level	Cons	Qty
48	13304308	LATCH SPRING				1
49	13302302	RUBBER BUMPER				2
50	SM8040412TP	SET SCREW M4 L=4				1
51	SM4040555SP	SCREW				2
52	SM4041055SP	SCREW				7
53	13302104	PIN				1
54	13304209	SUPPORT BRACKET				1
55	SM4041055SP	SCREW				1
56	SM4040655SP	SCREW M4 L=6				1
57	NM6040000SN	NUT M4				1
58	SM6040600SP	SCREW M4 L=6				3
59	70001413	MOTOR_COVER				1
60	70001818	CLOTH_PLATE_RIGHT_UPPER				1
61	70001826	SLIDE_COVER				1
62	SD0640216TP	SHOULDER SCREW				1
63	40119461	HEAD FAN MOTOR A ASSY				1
64	SL6042092TN	SCREW M4 L=20				2
65	SM4051455SP	SCREW M5 L=14				4
66	70001457	FAN_CORD_ASSY				1
67	TA2101002R0	RUBBER PLUG				1
68	TA2050416R0	RUBBER PLUG				2
69	TA0400301M0	PLUG D=4X4.5 L=3				1
70	13426903	MESH PLATE				1
71	TA1050504R0	RUBBER PLUG				2
72	70001428	WASHER				1

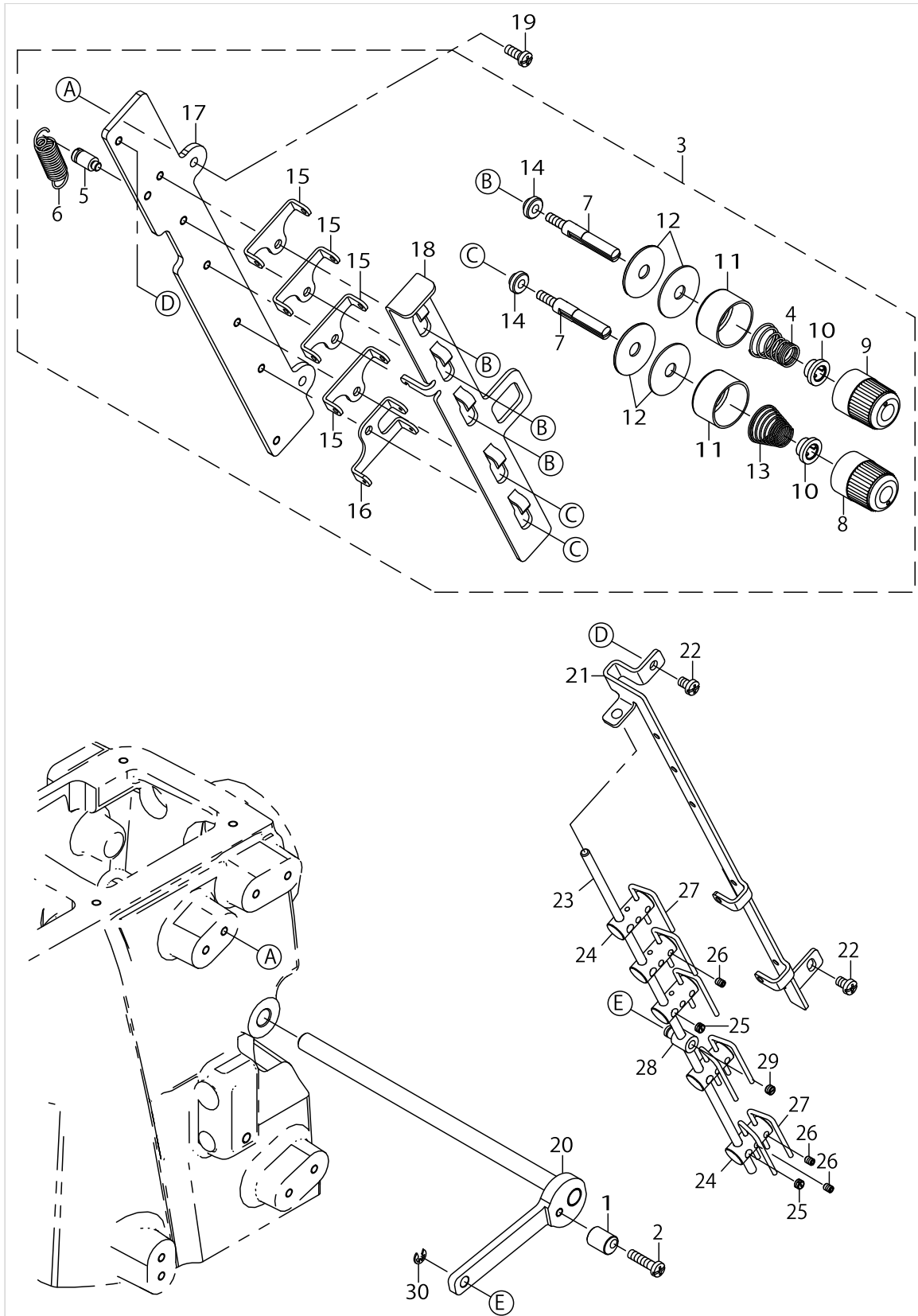
MAIN SHAFT COMPONENTS



MAIN SHAFT COMPONENTS

No.	Parts No.	Parts name	Remarks	Level	Cons	Qty
1	13308804	TIMING_BELT				1
2	70001455	LOWER_MAINSHAFT_RIGHT_DD				1
3	40118009	SERVO MOTOR				1
4	SL6052592TN	BOLT				4
5	40112105	HUB_L				1
6	40112106	HUB_R				1
7	40112107	SPIDER				1
8	13308457	BEARING_ASSY_C				1
9	SB120001500	BEARING		*		1
10	40018922	COUPLING_C		*		1
11	SM8060612TP	SCREW M6 L=6		*		2
12	RO148240200	RUBBER RING				1
13	13307509	JOINT				1
14	SM8060612TP	SCREW M6 L=6				4
15	70001446	LMS_LEFT_ASSY				1
16	70001434	LOWER_MAINSHAFT_LEFT		*		1
17	70001600	LOOPER_DRIVE		*		1
18	70001599	LOOPER_ROD_DRIVE		*		1
19	13337100	GUIDE LOOPER ROD		*		1
20	SM4051055SP	SCREW		*		1
21	SM6061402TP	SCREW M6 L=14		*		1
22	SM8040412TP	SET SCREW M4 L=4		*		1
23	13324108	SCREW		*		4
24	WS0510002KP	SPRING WASHER 5.1X9.2X1.3		*		1
25	70001447	BUSHING_LMS_MIDDLE				1
26	70001448	BUSHING_LMS_LEFT				1
27	SB110002300	BEARING				1
28	13308705	GASKET FOR BUSHING LEFT				1
29	SM4041055SP	SCREW				3
30	70003278	LMS_WORM_ASSY				1
31	70001458	BEARING		*		1
32	13308507	COUPLING D		*		1
33	SM8060842TP	SCREW M6 L=8		*		1
34	SM8060552TP	SCREW M6 L=5		*		1
35	70001451	THRUST_PLATE				1
36	SM4040655SP	SCREW M4 L=6				3
37	SM8060812TP	SCREW M6 L=8				1
38	SM8060842TP	SCREW M6 L=8				1
39	70001453	BEARING_HOLDER				1
40	SM8060612TP	SCREW M6 L=6				2
41	SB120001500	BEARING				1
42	RO148240200	RUBBER RING				1
43	70004184	LMS_SPROCKET				1
44	70003317	FLY_WHEEL_FOR_DD				1
45	SM6051002TP	SCREW M5X0.8 L=10				2
46	SM8050412TP	SCREW M5 L=4				4

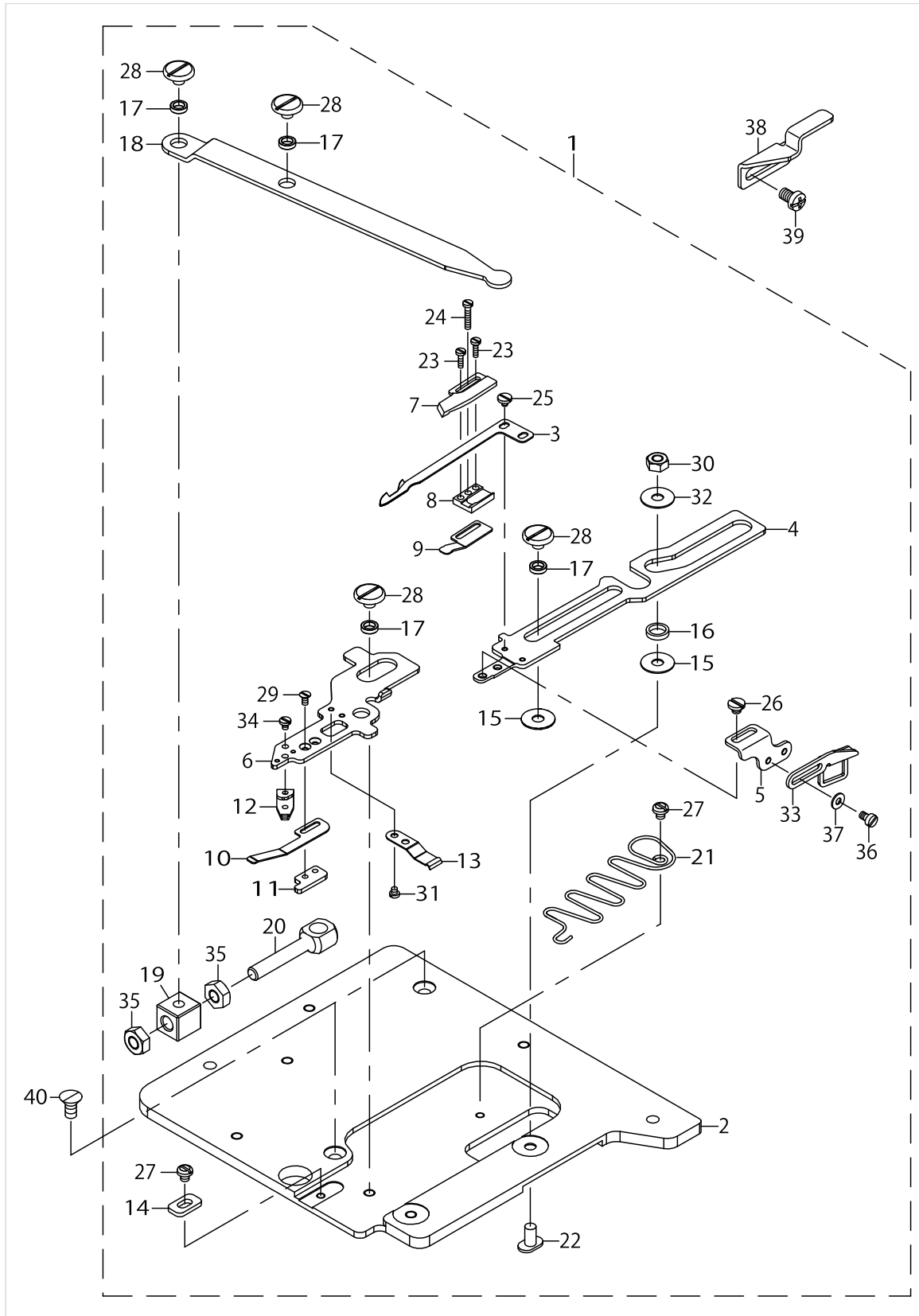
THREAD TENSION COMPONENTS



THREAD TENSION COMPONENTS

No.	Parts No.	Parts name	Remarks	Level	Cons	Qty
1	40065785	TENS_RELEASE_ADJ_ECC				1
2	SM4041655SP	SCREW M4 L=16				1
3	70001612	THREAD_TENSION_ASSY				1
4	13140504	TENSION SPRING		*		3
5	13340302	SHOULDER SCREW		*		1
6	26019000	THREAD TENSION SPRING		*		1
7	70001620	TENSION_POST		*		5
8	40042363	KNOB		*		2
9	40042364	KNOB GREEN		*		3
10	40042365	SPRING BUSHING		*		5
11	40042366	THREAD TENSION DISK PRESSER		*		5
12	40101602	THREAD_TENSION_DISC		*		10
13	40102003	SPRING		*		2
14	70001617	SPACER		*		5
15	70001615	TENSION_DISC_EYELET_A		*		4
16	70001616	TENSION_DISC_EYELET_B		*		1
17	70001613	TENSION_POST_SUPPORT		*		1
18	70001614	TENSION_DISC_SEPARATOR		*		1
19	SM4041055SP	SCREW				2
20	70001618	PULL_OFF_LEVER_ASSY				1
21	70001621	THREAD_GUIDE				1
22	SM4040655SP	SCREW M4 L=6				2
23	13456108	PULL_OFF_BAR				1
24	13456207	THD_P_O_HOOK_GUIDE				5
25	SM8040360TP	SCREW				5
26	SM8030412TP	SCREW				7
27	13456603	THD_PULL_OFF_HOOK				7
28	13456405	THD_PULL_OFF_BAR_HOLDER				1
29	SM8040360TP	SCREW				1
30	RE0300000K0	E-RING 3				1

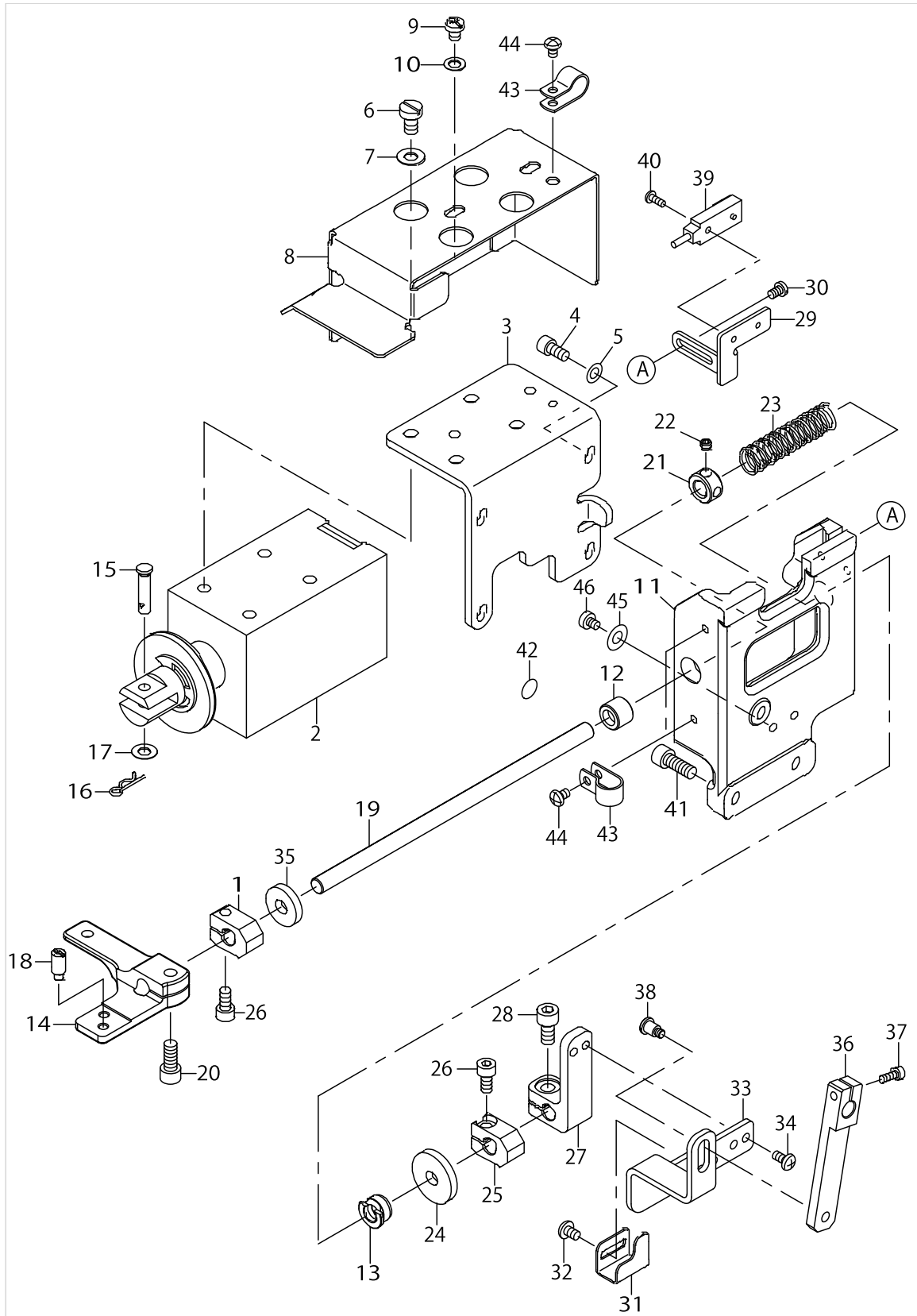
LOOPER THREAD TRIMMER COMPONENTS



LOOPER THREAD TRIMMER COMPONENTS

No.	Parts No.	Parts name	Remarks	Level	Cons	Qty
1	70001815	UNDER_TRIMMER_ASSY				1
2	70001817	CLOTH_PLATE_RIGHT_UT		*		1
3	40086274	LOWER_KNIFE		*		1
4	70001821	LOWER_KNIFE_HOLDER		*		1
5	70001824	TAKE_UP_UT_BRACKET		*		1
6	70001820	KNIFE_GUIDE_HOLDER		*		1
7	40086277	UPPER_KNIFE		*		1
8	40086278	LOWER_KNIFE_GUIDE		*		1
9	40086279	KNIFE_SPRING		*		1
10	40086280	THREAD_CLAMP		*		1
11	40086282	PLATE		*		1
12	40086308	TENSION_LEVER		*		1
13	13441902	LEAF_SPRING-2		*		1
14	40086290	STOPPER		*		1
15	WP0420516KH	THRUST WASHER 4.2		*		2
16	40086292	COLLAR_D8		*		1
17	40086293	COLLAR_D6		*		4
18	70001816	LEVER		*		1
19	40086295	CONNECTING_BLOCK_A		*		1
20	40086296	CONNECTING_BLOCK_B		*		1
21	13440409	SPRING_FOR_UT		*		1
22	40070110	SCREW		*		1
23	40086298	SCREW_M1.6L6		*		2
24	40086299	SCREW_M2L10		*		1
25	40086300	SCREW_M2L2.3		*		2
26	SM6030350SN	SCREW M3 L=2.5		*		2
27	40086302	SCREW_M3L3		*		2
28	40086303	SCREW_M4X0.5L4		*		4
29	SM1020450TP	SCREW M2 L=4		*		2
30	NM6040001SP	NUT M4X0.7		*		1
31	SM6020250TP	SCREW.		*		2
32	WP0431005SP	PLAIN WASHER 4.3X12X1		*		1
33	70001822	THREAD_TAKE_UP_UT		*		1
34	SM6020350SP	SCREW M2 L=2.5		*		1
35	NM6050001SP	NUT M5		*		2
36	SM6850400SP	SCREW M2.5 L=4		*		2
37	WP0250516SD	WASHER 2.5X6X0.5		*		2
38	70001827	UT_GUIDE				1
39	SM4040655SP	SCREW M4 L=6				2
40	SM1040800SP	SCREW				2

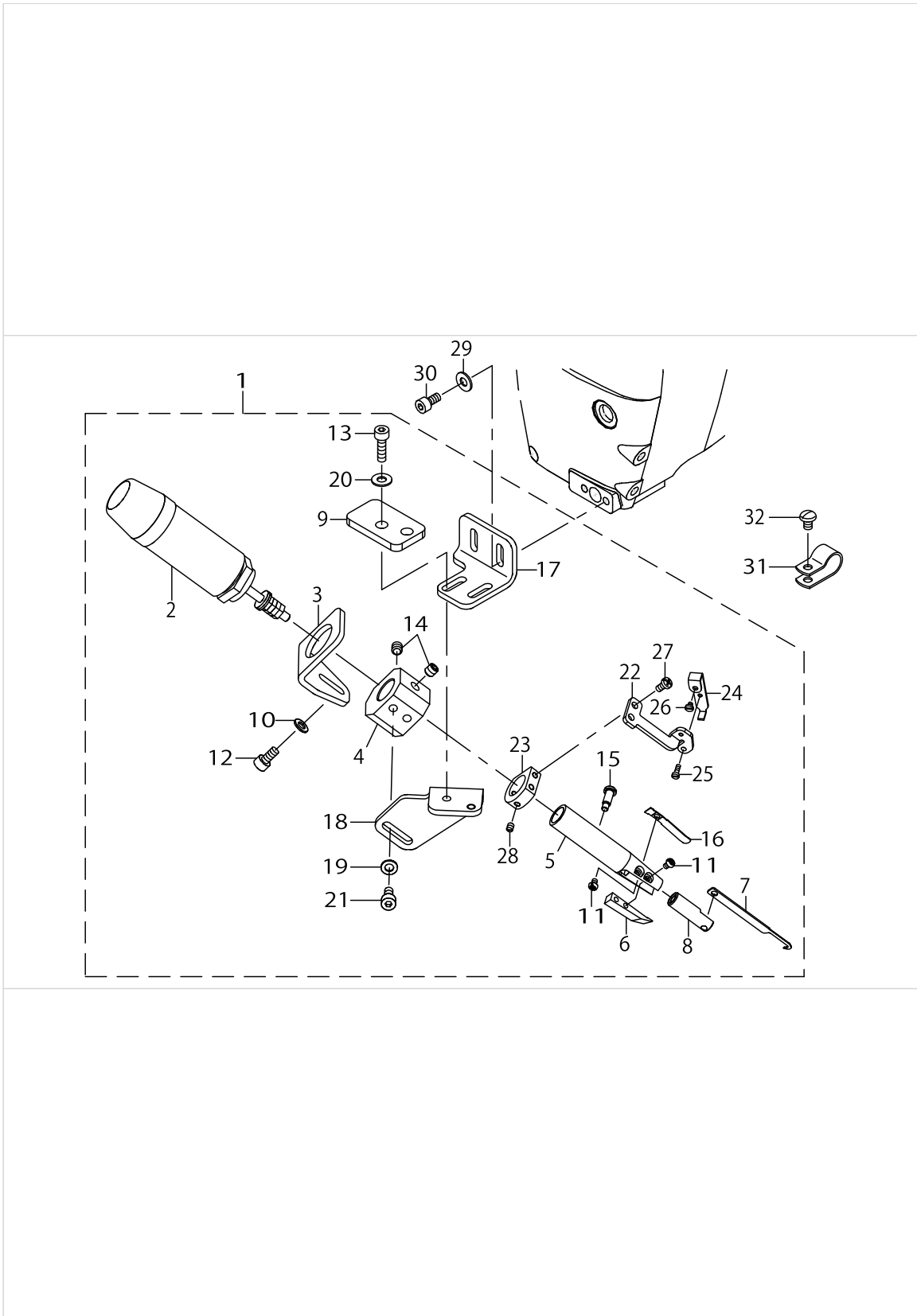
PNEUMATIC DRIVE & PRESSER FEED LIFTER COMPONENTS



PNEUMATIC DRIVE & PRESSER FEED LIFTER COMPONENTS

No.	Parts No.	Parts name	Remarks	Level	Cons	Qty
1	13442900	COLLAR				1
2	40040271	UT_SOLENOID_ASSY				1
3	40026935	SOLENOID_BRACKET				1
4	SM6051002TP	SCREW M5X0.8 L=10				4
5	WP0550800SP	WASHER 5.5X10X0.8				4
6	SM6061010TP	SCREW M6 L=10				4
7	WP0621016SD	WASHER 6.2X13X1				4
8	40039670	SOLENOID_COVER				1
9	SM4050655SP	SCREW M5 L=6				2
10	WP0550800SP	WASHER 5.5X10X0.8				2
11	40040662	UT_SOLENOID_BASE				1
12	40040661	BUSHING_UT_SHAFT				1
13	40038380	BUSHING_UT_SHAFT_RIGHT				1
14	40097664	CONN_BLOCK				1
15	40039669	MAGNET_PIN				1
16	B1515210D00	PIN				1
17	WP0560860SE	WASHER 5.6X12X0.8				1
18	13442702	PIN				1
19	40097665	UT_SHAFT				1
20	SM6061402TP	SCREW M6 L=14				1
21	CS0800881TP	THRUST COLLAR				1
22	SM8050412TP	SCREW M5 L=4				2
23	40042567	SPRING				1
24	13443601	WASHER				1
25	13442900	COLLAR				1
26	SM6051002TP	SCREW M5X0.8 L=10				2
27	13443007	PLATE HOLDER				1
28	SM6061202TP	SCREW M6 L=12				1
29	70001777	SENSOR HOLDER				1
30	SM4040655SP	SCREW M4 L=6				2
31	13443205	SWITCH_PLATE				1
32	SM4040655SP	SCREW M4 L=6				2
33	40019322	TENS_RELEASE_PLATE_UT				1
34	SM4040855SP	SCREW				2
35	40038259	WASHER				1
36	70001479	TENSION_RELEASE_LEVER				1
37	SM6041202TP	SCREW M4X0.7 L=12				1
38	SD0700706TP	SHOULDER SCREW				1
39	40021746	UNDER_TRIMMER_SENSOR_CABLE_ASM				1
40	SM4030855SN	SCREW M3 L=8.0				1
41	SM6061602TP	SCREW M6 L=16				3
42	22901805	GROUND MARK				1
43	HX00150000D	CABLE CLIP				3
44	SM4040655SP	SCREW M4 L=6				3
45	WT0430002KN	WASHER M4				1
46	SM4040501SN	SCREW M4X0.7 L=5				1

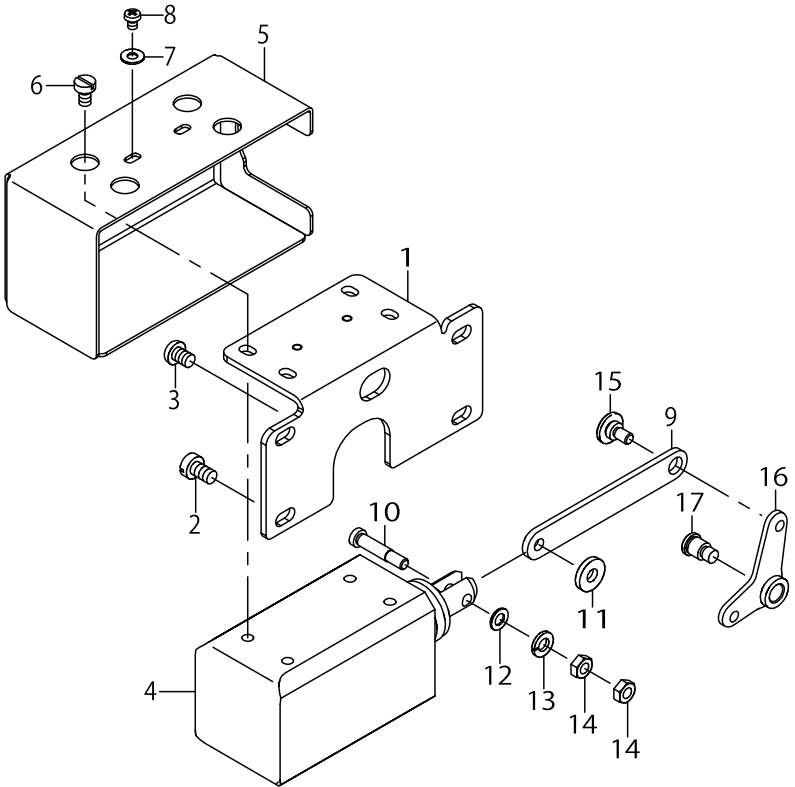
TOP COVER THREAD TRIMMER COMPONENTS



TOP COVER THREAD TRIMMER COMPONENTS

No.	Parts No.	Parts name	Remarks	Level	Cons	Qty
1	70001803	U_L_THREAD_TRIMMER_ASSY				1
2	70001789	SOLENOID				1
3	70001797	SOLENOID_BRACKET		*		1
4	70001798	BLOCK		*		1
5	70001972	KNIFE_HOLDER		*		1
6	13458500	LOWER_KNIFE		*		1
7	40065510	MOVING_KNIFE		*		1
8	70001804	MOVING_KNIFE_HOLDER		*		1
9	70003601	SPACER		*		1
10	WP0430800SC	WASHER M4		*		2
11	SM4850455SP	SCREW		*		3
12	SM6040802TN	SCREW		*		2
13	SM6041402TP	SCREW M4 L=14		*		2
14	SM8050512TP	SCREW		*		2
15	70001782	SHOULDER_SCREW		*		1
16	13458401	SPRING		*		1
17	70001783	BRACKET_2		*		1
18	70001784	BRACKET		*		1
19	WP0430800SC	WASHER M4		*		2
20	WP0450826SC	WASHER 4.5X10X0.8		*		1
21	SM6040802TN	SCREW		*		4
22	70001969	SOLENOID_BRACKET		*		1
23	70001970	COLLAR		*		1
24	70001971	TENSION_LEVER		*		1
25	SM6020600TP	SCREW		*		1
26	SM6020350SP	SCREW M2 L=2.5		*		1
27	SM4030655SP	SCREW		*		2
28	SM8030450SP	SCREW M3 L=4		*		2
29	WP0450826SC	WASHER 4.5X10X0.8				2
30	SM6040802TN	SCREW				2
31	HX00150000D	CABLE_CLIP				2
32	SM4040655SP	SCREW M4 L=6				2

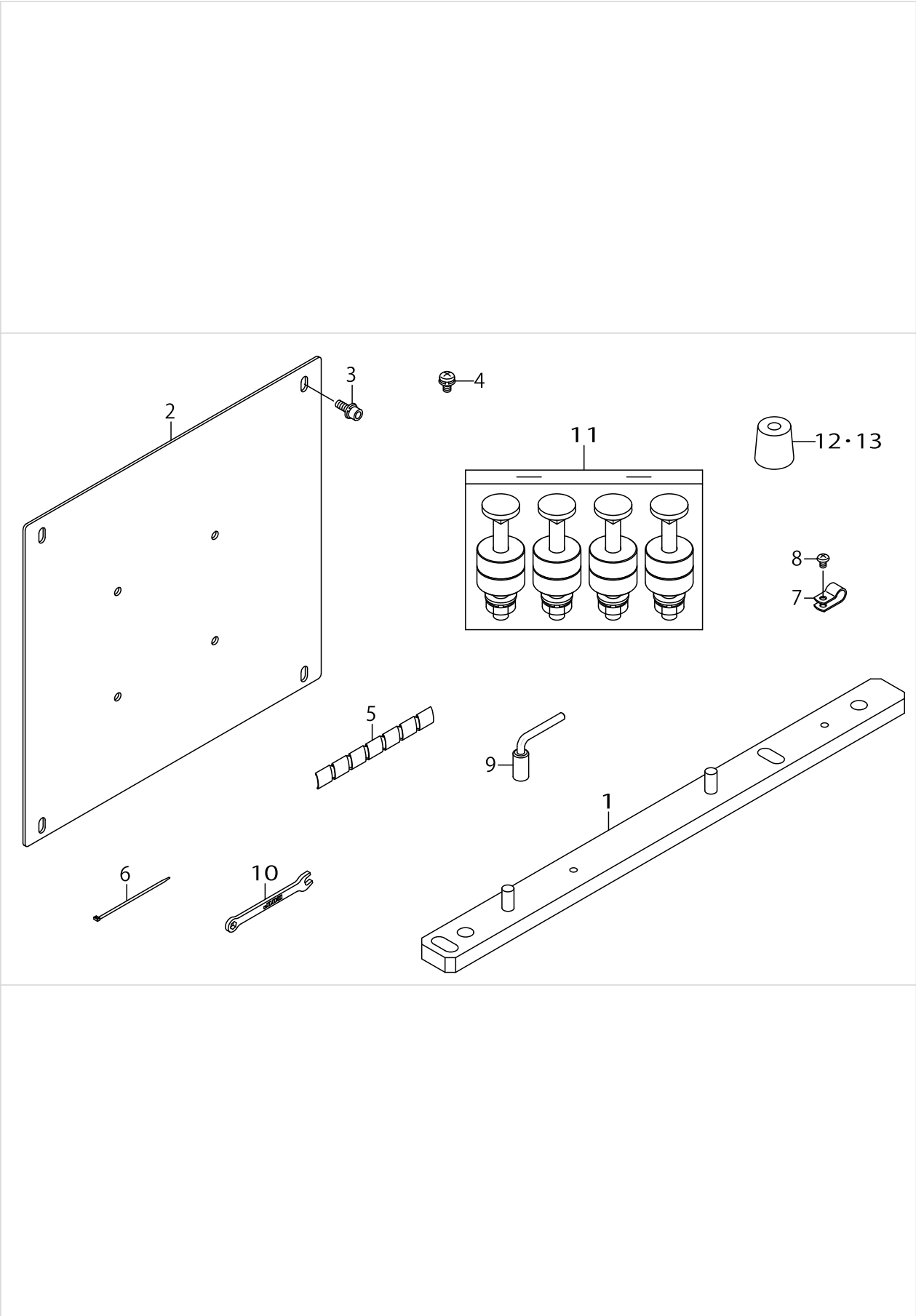
AK SOLENOID COMPONENTS



AK SOLENOID COMPONENTS

No.	Parts No.	Parts name	Remarks	Level	Cons	Qty
1	70001792	AK_SOLENOID_BASE				1
2	SM6061010TP	SCREW M6 L=10				4
3	SM4060801SE	SCREW				2
4	70001805	AK_SOLENOID				1
5	70001793	SOLENOID_COVER				1
6	SM6050800SP	SCREW M5 L=8				4
7	WP0450801SC	WASHER 4.5X10X0.8				2
8	SM4040501SN	SCREW M4X0.7 L=5				2
9	70001795	AK_SOLENOID_LINK				1
10	40086759	BACK_SOLENOID_PLUNGER_PIN				1
11	WP0612516SD	WASHER 6.1X15.2X2.5				1
12	WP0550800SP	WASHER 5.5X10X0.8				1
13	WS0610002KN	SPRING WASHER 6.1X12.2X1.5				1
14	NM6050001SP	NUT M5				2
15	SD0800327TP	SHOULDER SCREW				1
16	70001779	AK_SOLENOID_LEVER				1
17	SD0800706TP	SHOULDER SCREW D=8 H=7				1

ACCESSORIES PARTS COMPONENTS



ACCESSORIES PARTS COMPONENTS

No.	Parts No.	Parts name	Remarks	Level	Cons	Qty
1	70001843	SUPPORT_PLATE_ASSY				2
2	40094198	SC BRACKET				1
3	SL6051492TN	BOLT				4
4	SL4051091SC	SCREW M5X0.8 L=10				4
5	HX00314000A	SPIRAL TUBE				1
6	EA9500B0100	CABLE BAND				1
7	HX00150000C	CABLE CLIP				1
8	SM4040655SP	SCREW M4 L=6				1
9	40073360	WRENCH				1
10	13160106	SPANNER (5X6)				1
11	13348966	ASSY BOLT SET				1
12	40072505	ISOLATOR				2
13	13155403	ISOLATOR				2

HOW TO MAKE USE OF THIS PARTS LIST

- 1.As to "#01" and "#02" refer to the "Note" given at the bottom of the respective pages.
- 2.Codes on the "Qty" column
 - Each numeral indicates the number of parts required.
 - "0.1" and "2.5" indicate the length (in meters) of the respective parts.
- 3.Parentheses mean that the corresponding part is a subpart that constructs an assembly part.
- 4.Dotted lines on the Figures indicate assembly parts.

1. リストページの# 0 1、# 0 2の印は、ページ下の“注記”の説明を参照下さい。
2. 数量欄の数字は、個数を表し、0. 1、2. 5等の数値は、長さ（単位メートル）を表します。
3. 数量欄の（ ）は、組部品を構成している子部品であることを意味します。
4. イラストページの-----枠は、組構成であることを意味します。

ALL PARTS NOT MENTIONED IN THIS PARTS LIST ARE SAME AS THOSE OF
MODEL MF-7500. OTHER PARTS LIST RELATED TO THIS MODEL.
*MF-7500. (NO.1596 PART NO.70002001)

このパーツリスト記載以外の部品はMF-7900.と共通です。
この機種に関連するパーツリストとして下記のパーツリストがあります。
*MF-7500. (NO.1596 品番70002001)

NUMERICAL INDEX OF PARTS

PART NO	PAGE	REF NO.	PART NO	PAGE	REF NO.	PART NO	PAGE	REF NO.
13140504	8	4	40038380	12	13	40119461	4	63
13155403	18	12·13	40039669	12	15	70001413	4	59
13160106	18	10	40039670	12	8	70001414	2	29
13301809	2	25	40040271	12	2	70001415	2	13
13302104	2	53	40040661	12	12	70001418	2	41
13302104	4	53	40040662	12	11	70001420	2	1
13302203	2	24	40042363	8	8	70001423	2	15
13302302	2	49	40042364	8	9	70001424	2	18
13302302	4	49	40042365	8	10	70001426	2	26
13302708	2	46	40042366	8	11	70001428	4	72
13304209	4	54	40042567	12	23	70001431	2	27
13304308	2	48	40065510	14	7	70001434	6	16
13304308	4	48	40065785	8	1	70001446	6	15
13305107	2	45	40070110	10	22	70001447	6	25
13307509	6	13	40072505	18	12·13	70001448	6	26
13308457	6	8	40073360	18	9	70001451	6	35
13308507	6	32	40082196	2	21	70001453	6	39
13308705	6	28	40086274	10	3	70001455	6	2
13308804	6	1	40086277	10	7	70001457	4	66
13324108	6	23	40086278	10	8	70001458	6	31
13337100	6	19	40086279	10	9	70001479	12	36
13340302	8	5	40086280	10	10	70001484	2	4
13348966	18	11	40086282	10	11	70001599	6	18
13409800	2	28	40086290	10	14	70001600	6	17
13426903	4	70	40086292	10	16	70001612	8	3
13440409	10	21	40086293	10	17	70001613	8	17
13441902	10	13	40086295	10	19	70001614	8	18
13442702	12	18	40086296	10	20	70001615	8	15
13442900	12	25	40086298	10	23	70001616	8	16
13443007	12	27	40086299	10	24	70001617	8	14
13443205	12	31	40086300	10	25	70001618	8	20
13443601	12	24	40086302	10	27	70001620	8	7
13456108	8	23	40086303	10	28	70001621	8	21
13456207	8	24	40086308	10	12	70001659	2	44
13456405	8	28	40086759	16	10	70001777	12	29
13456603	8	27	40094198	18	2	70001779	16	16
13458401	14	16	40097664	12	14	70001782	14	15
13458500	14	6	40097665	12	19	70001783	14	17
22901805	12	42	40099371	2	37	70001784	14	18
26019000	8	6	40101602	8	12	70001789	14	2
40018922	6	10	40102003	8	13	70001792	16	1
40019322	12	33	40112105	6	5	70001793	16	5
40021746	12	39	40112106	6	6	70001795	16	9
40026935	12	3	40112107	6	7	70001797	14	3
40038259	12	35	40118009	6	3	70001798	14	4

NUMERICAL INDEX OF PARTS

PART NO	PAGE	REF NO.	PART NO	PAGE	REF NO.	PART NO	PAGE	REF NO.
70001803	14	1	SD0800706TP	16	17	SM6041402TP	14	13
70001804	14	8	SL4051091SC	18	4	SM6050800SP	2	23
70001805	16	4	SL6042092TN	4	64	SM6050800SP	16	6
70001815	10	1	SL6051492TN	18	3	SM6051002TP	6	45
70001816	10	18	SL6052592TN	6	4	SM6051002TP	12	26
70001817	10	2	SM1020450TP	10	29	SM6051400SP	2	39
70001818	4	60	SM1030501SN	2	11	SM6061010TP	12	6
70001820	10	6	SM1040800SP	2	7	SM6061010TP	16	2
70001821	10	4	SM1040800SP	10	40	SM6061202TP	12	28
70001822	10	33	SM4030655SP	14	27	SM6061402TP	6	21
70001823	2	3	SM4030855SN	12	40	SM6061402TP	12	20
70001824	10	5	SM4040501SN	12	46	SM6061602TP	12	41
70001825	2	8	SM4040501SN	16	8	SM6850400SP	10	36
70001826	4	61	SM4040555SP	4	51	SM8030412TP	8	26
70001827	10	38	SM4040655SP	2	56	SM8030450SP	14	28
70001843	18	1	SM4040655SP	4	56	SM8040360TP	8	29
70001969	14	22	SM4040655SP	6	36	SM8040412TP	2	50
70001970	14	23	SM4040655SP	8	22	SM8040412TP	4	50
70001971	14	24	SM4040655SP	10	39	SM8040412TP	6	22
70001972	14	5	SM4040655SP	12	44	SM8050412TP	6	46
70003278	6	30	SM4040655SP	14	32	SM8050412TP	12	22
70003317	6	44	SM4040655SP	18	8	SM8050512TP	14	14
70003601	14	9	SM4040855SP	12	34	SM8060552TP	6	34
70004184	6	43	SM4041055SP	4	55	SM8060612TP	6	40
B1515210D00	12	16	SM4041055SP	6	29	SM8060812TP	6	37
CS0800881TP	12	21	SM4041055SP	8	19	SM8060842TP	6	38
EA9500B0100	18	6	SM4041655SP	8	2	TA0400301M0	4	69
HX00150000C	18	7	SM4050655SP	12	9	TA0850604R0	2	47
HX00150000D	12	43	SM4051055SP	6	20	TA1050504R0	2	71
HX00150000D	14	31	SM4051455SP	4	65	TA1050504R0	4	71
HX00314000A	18	5	SM4060801SE	16	3	TA2050416R0	2	68
HX00314000D	2	10	SM4850455SP	14	11	TA2050416R0	4	68
NM6040000SN	4	57	SM6020250TP	10	31	TA2101002R0	4	67
NM6040001SP	10	30	SM6020350SP	10	34	WP0250516SD	10	37
NM6050001SP	10	35	SM6020350SP	14	26	WP0420516KH	10	15
NM6050001SP	16	14	SM6020600TP	14	25	WP0430800SC	14	19
RC1900002KP	2	9	SM6030350SN	10	26	WP0431005SP	10	32
RE0300000K0	2	42	SM6030800SP	2	38	WP0450801SC	16	7
RE0300000K0	8	30	SM6040600SP	4	58	WP0450826SC	14	29
RO148240200	6	42	SM6040750TP	2	22	WP0531000SC	2	31
SB110002300	6	27	SM6040800SP	2	14	WP0550800SP	2	43
SB120001500	6	41	SM6040802TN	14	30	WP0550800SP	12	10
SD0640216TP	4	62	SM6041000SP	2	12	WP0550800SP	16	12
SD0700706TP	12	38	SM6041002TP	2	6	WP0560860SE	12	17
SD0800327TP	16	15	SM6041202TP	12	37	WP0612516SD	16	11

NUMERICAL INDEX OF PARTS

PART NO	PAGE	REF NO.
WP0621016SD	12	7
WS0510002KP	2	30
WS0510002KP	6	24
WS0610002KN	16	13
WT0430002KN	12	45
WZ0641510KP	2	2